

SECTION MA
MAINTENANCE

A
B
C
D
E
F
G
H
I
J
K
L
M
N
O
MA

CONTENTS

| | | | |
|--|----|--|----|
| PREPARATION | 3 | ENGINE OIL : Refilling | 17 |
| PREPARATION | 3 | OIL FILTER | 17 |
| Special Service Tool | 3 | OIL FILTER : Removal and Installation | 17 |
| Commercial Service Tool | 3 | OIL FILTER : Inspection | 18 |
| PERIODIC MAINTENANCE | 4 | SPARK PLUG | 18 |
| GENERAL MAINTENANCE | 4 | SPARK PLUG : Removal and Installation | 18 |
| Explanation of General Maintenance | 4 | SPARK PLUG : Inspection | 19 |
| PERIODIC MAINTENANCE | 6 | EVAP VAPOR LINES | 19 |
| Introduction of Periodic Maintenance | 6 | EVAP VAPOR LINES : Inspection | 19 |
| Schedule 1 | 6 | CHASSIS MAINTENANCE | 20 |
| Schedule 2 | 8 | EXHAUST SYSTEM | 20 |
| RECOMMENDED FLUIDS AND LUBRI- CANTS | 10 | EXHAUST SYSTEM : Inspection | 20 |
| Fluids and Lubricants | 10 | A/T FLUID | 20 |
| Engine Oil Recommendation | 10 | A/T FLUID : Inspection | 20 |
| Anti-Freeze Coolant Mixture Ratio | 11 | A/T FLUID : Changing | 22 |
| ENGINE MAINTENANCE | 12 | GEAR OIL | 22 |
| DRIVE BELT | 12 | GEAR OIL : Inspection | 22 |
| DRIVE BELT : Exploded View | 12 | GEAR OIL : Draining | 23 |
| DRIVE BELT : Checking | 12 | GEAR OIL : Refilling | 23 |
| DRIVE BELT : Tension Adjustment | 12 | CLUTCH FLUID | 23 |
| ENGINE COOLANT | 12 | CLUTCH FLUID : Inspection | 23 |
| ENGINE COOLANT : Draining | 12 | TRANSFER FLUID | 23 |
| ENGINE COOLANT : Refilling | 13 | TRANSFER FLUID : Inspection | 24 |
| ENGINE COOLANT : Flushing | 15 | TRANSFER FLUID : Draining | 24 |
| FUEL LINES | 15 | TRANSFER FLUID : Refilling | 24 |
| FUEL LINES : Inspection | 16 | FRONT PROPELLER SHAFT: 2S56A | 24 |
| AIR CLEANER FILTER | 16 | FRONT PROPELLER SHAFT: 2S56A : Inspec- tion | 24 |
| AIR CLEANER FILTER : Removal and Installation | 16 | REAR PROPELLER SHAFT: 3S80A | 25 |
| ENGINE OIL | 16 | REAR PROPELLER SHAFT: 3S80A : Inspection..... | 25 |
| ENGINE OIL : Draining | 16 | REAR PROPELLER SHAFT: 3S80A-R | 26 |

| | | | |
|---|-----------|--|-----------|
| REAR PROPELLER SHAFT: 3S80A-R : Inspection | 26 | DISC BRAKE : Rear Disc Brake | 34 |
| REAR PROPELLER SHAFT: 3F80A-1VL107 | 26 | STEERING GEAR AND LINKAGE | 35 |
| REAR PROPELLER SHAFT: 3F80A-1VL107 : Inspection | 26 | STEERING GEAR AND LINKAGE : Inspection | 35 |
| FRONT DIFFERENTIAL GEAR OIL: F160A | 27 | POWER STEERING FLUID AND LINES | 35 |
| FRONT DIFFERENTIAL GEAR OIL: F160A : Inspection | 27 | POWER STEERING FLUID AND LINES : Inspection | 35 |
| FRONT DIFFERENTIAL GEAR OIL: F160A : Draining | 27 | AXLE AND SUSPENSION PARTS | 36 |
| FRONT DIFFERENTIAL GEAR OIL: F160A : Refilling | 28 | AXLE AND SUSPENSION PARTS : Inspection | 36 |
| REAR DIFFERENTIAL GEAR OIL: R200 | 28 | DRIVE SHAFT | 36 |
| REAR DIFFERENTIAL GEAR OIL: R200 : Inspection | 28 | DRIVE SHAFT : Inspection | 36 |
| REAR DIFFERENTIAL GEAR OIL: R200 : Draining | 28 | BODY MAINTENANCE | 37 |
| REAR DIFFERENTIAL GEAR OIL: R200 : Refilling | 29 | LOCKS, HINGES AND HOOD LATCH | 37 |
| REAR DIFFERENTIAL GEAR OIL: R200V | 29 | LOCKS, HINGES AND HOOD LATCH : Lubricating | 37 |
| REAR DIFFERENTIAL GEAR OIL: R200V : Inspection | 29 | SEAT BELT, BUCKLES, RETRACTORS, ANCHORS AND ADJUSTERS | 37 |
| REAR DIFFERENTIAL GEAR OIL: R200V : Draining | 29 | SEAT BELT, BUCKLES, RETRACTORS, ANCHORS AND ADJUSTERS : Inspection | 37 |
| REAR DIFFERENTIAL GEAR OIL: R200V : Refilling | 30 | SERVICE DATA AND SPECIFICATIONS (SDS) | 38 |
| WHEELS (BONDING WEIGHT TYPE) | 30 | SERVICE DATA AND SPECIFICATIONS (SDS) | 38 |
| WHEELS (BONDING WEIGHT TYPE) : Adjustment | 30 | DRIVE BELT | 38 |
| BRAKE FLUID LEVEL AND LEAKS | 33 | DRIVE BELT : Drive Belt | 38 |
| BRAKE FLUID LEVEL AND LEAKS : Inspection | 33 | ENGINE COOLANT | 38 |
| BRAKE LINES AND CABLES | 33 | ENGINE COOLANT : Periodical Maintenance Specification | 38 |
| BRAKE LINES AND CABLES : Inspection | 33 | ENGINE OIL | 38 |
| BRAKE FLUID | 33 | ENGINE OIL : Periodical Maintenance Specification | 38 |
| BRAKE FLUID : Changing | 33 | SPARK PLUG | 38 |
| DISC BRAKE | 33 | SPARK PLUG : Spark Plug | 38 |
| DISC BRAKE : Inspection | 34 | ROAD WHEEL | 38 |
| DISC BRAKE : Front Disc Brake | 34 | ROAD WHEEL : Road Wheel | 38 |

PREPARATION

< PREPARATION >

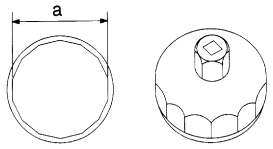
PREPARATION

PREPARATION

Special Service Tool

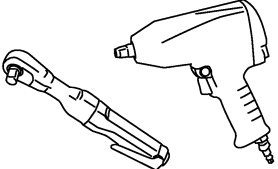
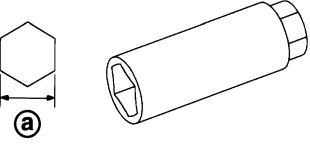
INFOID:000000001835239

The actual shapes of Kent-Moore tools may differ from those of special service tools illustrated here.

| Tool number (Kent-Moore No.) Tool name | Description |
|--|--|
| KV10115801 (J-38956) Oil filter wrench <div style="text-align: center;">  <p>S-NT375</p> </div> | Removing and installing oil filter a: 64.3 mm (2.531 in) |

Commercial Service Tool

INFOID:000000001835240

| Tool name | Description |
|---|---|
| Power tool <div style="text-align: center;">  <p>PBIC0190E</p> </div> | Loosening nuts and bolts |
| Spark plug wrench <div style="text-align: center;">  <p>JPBIA0399ZZ</p> </div> | Removing and installing spark plug a : 14 mm (0.55 in) |

A
B
C
D
E
F
G
H
I
J
K
L
M
N
O

MA

GENERAL MAINTENANCE

< PERIODIC MAINTENANCE >

PERIODIC MAINTENANCE

GENERAL MAINTENANCE

Explanation of General Maintenance

INFOID:000000001835241

General maintenance includes those items which should be checked during the normal day-to-day operation of the vehicle. They are essential if the vehicle is to continue operating properly. The owners can perform checks and inspections themselves or have their **INFINITI** dealers do them.

OUTSIDE THE VEHICLE

The maintenance items listed here should be performed from time to time, unless otherwise specified.

| Item | | Reference page |
|--|--|---|
| Tires | Check the pressure with a gauge often and always prior to long distance trips. Adjust the pressure in all tires, including the spare, to the pressure specified. Check carefully for damage, cuts or excessive wear. | WT-98 |
| Wheel nuts | When checking the tires, make sure no nuts are missing, and check for any loose nuts. Tighten if necessary. | — |
| Tire rotation | Tires should be rotated every 12,000km (7,500 miles). If the vehicle is equipped with different sized tires in the front and rear, tires cannot be rotated. | MA-30 |
| Tire Pressure Monitoring System (TPMS) transmitter components | Replace the TPMS transmitter grommet seal, valve core and cap when the tires are replaced due to wear or age. | WT-7 |
| Wheel alignment and balance | If the vehicle should pull to either side while driving on a straight and level road, or if you detect uneven or abnormal tire wear, there may be a need for wheel alignment. If the steering wheel or seat vibrates at normal highway speeds, wheel balancing may be needed. | FSU-8 (2WD) FSU-44 (AWD) RSU-6 MA-30 |
| Windshield | Clean the windshield on a regular basis. Check the windshield at least every six months for cracks or other damage. Repair as necessary. | — |
| Windshield wiper blades | Check for cracks or wear if they do not wipe properly. | — |
| Doors and engine hood | Check that all doors and the engine hood operate properly. Also make sure that all latches lock securely. Lubricate if necessary. Make sure that the secondary latch keeps the hood from opening when the primary latch is released. When driving in areas using road salt or other corrosive materials, check lubrication frequently. | MA-37 |
| Lamps | Make sure that the headlamps, stop lamps, tail lamps, turn signal lamps, and other lamps are all operating properly and installed securely. Also check headlamp aim. Clean the headlamps on a regular basis. | — |

INSIDE THE VEHICLE

The maintenance items listed here should be checked on a regular basis, such as when performing periodic maintenance, cleaning the vehicle, etc.

| Item | | Reference page |
|------------------------------------|---|----------------|
| Warning lamps and chimes | Make sure that all warning lamps and chimes are operating properly. | — |
| Windshield wiper and washer | Check that the wipers and washer operate properly and that the wipers do not streak. | — |
| Windshield defroster | Check that the air comes out of the defroster outlets properly and in sufficient quantity when operating the heater or air conditioner. | — |
| Steering wheel | Check that it has the specified play. Check for changes in the steering condition, such as excessive play, hard steering or strange noises. Free play: Less than 35 mm (1.38 in) | — |
| Seats | Check seat position controls such as seat adjusters, seatback recliner, etc. to make sure they operate smoothly and that all latches lock securely in every position. Check that the head restraints move up and down smoothly and that the locks (if equipped) hold securely in all latched positions. Check that the latches lock securely for folding-down rear seatbacks. | — |

GENERAL MAINTENANCE

< PERIODIC MAINTENANCE >

| Item | | Reference page | |
|--|---|--|---|
| Seat belts | Check that all parts of the seat belt system (e.g. buckles, anchors, adjusters and retractors) operate properly and smoothly, and are installed securely. Check the belt webbing for cuts, fraying, wear or damage. | MA-37 | A |
| Accelerator pedal | Check the pedal for smooth operation and make sure the pedal does not catch or require uneven effort. Keep the floor mats away from the pedal. | — | B |
| Brakes | Check that the brake does not pull the vehicle to one side when applied. | — | C |
| Brake pedal and booster | Check the pedal for smooth operation and make sure it has the proper distance under it when depressed fully. Check the brake booster function. Be sure to keep the floor mats away from the pedal. | BR-8 BR-15 | D |
| Clutch pedal | Make sure the pedal operates smoothly and check that it has the proper free play. | CL-5 | E |
| Parking brake | Check that the pedal has the proper travel and make sure that the vehicle is held securely on a fairly steep hill when only the parking brake is applied. | PB-3 (PEDAL TYPE) PB-4 (LEVER TYPE) | F |
| Automatic transmission "Park" mechanism | Check that the lock release button on the selector lever operates properly and smoothly. On a fairly steep hill check that the vehicle is held securely with the selector lever in the P (Park) position without applying any brakes. | — | G |

UNDER THE HOOD AND VEHICLE

The maintenance items listed here should be checked periodically (e.g. each time you check the engine oil or refuel).

| Item | | Reference page | |
|---|--|--|---|
| Windshield washer fluid | Check that there is adequate fluid in the tank. | — | H |
| Engine coolant level | Check the coolant level when the engine is cold. | CO-8 | I |
| Radiator and hoses | Check the front of the radiator and clean off any dirt, insects, leaves, etc., that may have accumulated. Make sure the hoses have no cracks, deformation, deterioration or loose connections. | — | J |
| Brake and clutch fluid levels | Make sure that the brake and clutch fluid levels are between the "MAX" and "MIN" lines on the reservoir(s). | MA-33 MA-23 | K |
| Battery | Check the fluid level in each cell. It should be between the "MAX" and "MIN" lines. Vehicles operated in high temperatures or under severe conditions require frequent checks of the battery fluid level. | PG-3 | L |
| Engine drive belt | Make sure that no belt is frayed, worn, cracked or oily. | MA-12 | M |
| Engine oil level | Check the level on the oil level gauge after parking the vehicle on a level spot and turning off the engine. | LU-7 | N |
| Power steering fluid level and lines | Check the level on the dipstick with the engine off. Check the lines for improper attachment, leaks, cracks, etc. | MA-35 | O |
| Exhaust system | Make sure there are no loose supports, cracks or holes. If the sound of the exhaust seems unusual or there is a smell of exhaust fumes, immediately locate the trouble and correct it. | MA-20 | |
| Underbody | The underbody is frequently exposed to corrosive substances such as those used on icy roads or to control dust. It is very important to remove these substances, otherwise rust will form on the floor pan, frame, fuel lines and around the exhaust system. At the end of winter, the underbody should be thoroughly flushed with plain water, being careful to clean those areas where mud and dirt can easily accumulate. | — | |
| Fluid leaks | Check under the vehicle for fuel, oil, water or other fluid leaks after the vehicle has been parked for a while. Water dripping from the air conditioner after use is normal. If you should notice any leaks or gasoline fumes are evident, check for the cause and correct it immediately. | — | |

MA

PERIODIC MAINTENANCE

< PERIODIC MAINTENANCE >

PERIODIC MAINTENANCE

Introduction of Periodic Maintenance

INFOID:000000001835242

Two different maintenance schedules are provided, and should be used, depending upon the conditions in which the vehicle is mainly operated. **After 60,000 miles (96,000 km) or 48 months, continue the periodic maintenance at the same mileage/time intervals.**

| | | | |
|------------|--|-------------------------------------|----------------------|
| Schedule 1 | Follow Periodic Maintenance Schedule 1 if the driving habits frequently include one or more of the following driving conditions: <ul style="list-style-type: none"> • Repeated short trips of less than 5 miles (8 km). • Repeated short trips of less than 10 miles (16 km) with outside temperatures remaining below freezing. • Operating in hot weather in stop-and-go “rush hour” traffic. • Extensive idling and/or low speed driving for long distances, such as police, taxi or door-to-door delivery use. • Driving in dusty conditions. • Driving on rough, muddy, or salt spread roads. • Towing a trailer, using a camper or a car-top carrier. | Emission Control System Maintenance | MA-6 |
| | | Chassis and Body Maintenance | |
| Schedule 2 | Follow Periodic Maintenance Schedule 2 if none of driving conditions shown in Schedule 1 apply to the driving habits. | Emission Control System Maintenance | MA-8 |
| | | Chassis and Body Maintenance | |

Schedule 1

INFOID:000000001835243

EMISSION CONTROL SYSTEM

Abbreviations: R = Replace. I = Inspect. Correct or replace if necessary. []: At the mileage intervals only

| MAINTENANCE OPERATION | | MAINTENANCE INTERVAL | | | | | | | | Reference Section - Page or - Content Title | |
|--|-----------------------------------|---|-----------|------------|---------|------------|-----------|------------|---------|---|-----------------------|
| Perform at number of miles, kilometers or months, whichever comes first. | Miles x 1,000 (km x 1,000) Months | 3.75 (6) | 7.50 (12) | 11.25 (18) | 15 (24) | 18.75 (30) | 22.5 (36) | 26.25 (42) | 30 (48) | | |
| Drive belt | NOTE (1) | | | | | | | | | [R] | MA-12 |
| Air cleaner filter | NOTE (2) | | | | | | | | | I* | MA-16 |
| EVAP vapor lines | | | | | | | | | | I* | MA-19 |
| Fuel lines | | | | | | | | | | I* | MA-16 |
| Fuel filter | NOTE (3) | | | | | | | | | — | — |
| Engine coolant | NOTE (4) | | | | | | | | | | MA-12 |
| Engine oil | | R | R | R | R | R | R | R | R | MA-12 | |
| Engine oil filter (Use genuine NISSAN engine oil filter or equivalent.) | | R | R | R | R | R | R | R | R | MA-17 | |
| Spark plugs (Iridium-tipped type) | | Replace every 105,000 miles (169,000 km). | | | | | | | | MA-18 | |
| Intake & exhaust valve clearance* | NOTE (5) | | | | | | | | | | EM-18 |

| MAINTENANCE OPERATION | | MAINTENANCE INTERVAL | | | | | | | | Reference Section - Page or - Content Title | |
|--|-----------------------------------|----------------------|-----------|------------|---------|------------|-----------|------------|---------|---|-----------------------|
| Perform at number of miles, kilometers or months, whichever comes first. | Miles x 1,000 (km x 1,000) Months | 33.75 (54) | 37.5 (60) | 41.25 (66) | 45 (72) | 48.75 (78) | 52.5 (84) | 56.25 (90) | 60 (96) | | |
| Drive belt | NOTE (1) | | | | | | | | | I* | MA-12 |
| Air cleaner filter | NOTE (2) | | | | | | | | | [R] | MA-16 |
| EVAP vapor lines | | | | | | | | | | I* | MA-19 |
| Fuel lines | | | | | | | | | | I* | MA-16 |

PERIODIC MAINTENANCE

< PERIODIC MAINTENANCE >

| MAINTENANCE OPERATION | | MAINTENANCE INTERVAL | | | | | | | | Reference Section - Page or - Content Title |
|--|---|---|--------------------|---------------------|------------------|---------------------|--------------------|---------------------|------------------|---|
| Perform at number of miles, kilometers or months, whichever comes first. | Miles x 1,000 (km x 1,000) Months | 33.75 (54) 27 | 37.5 (60) 30 | 41.25 (66) 33 | 45 (72) 36 | 48.75 (78) 39 | 52.5 (84) 42 | 56.25 (90) 45 | 60 (96) 48 | |
| Fuel filter | NOTE (3) | | | | | | | | | — |
| Engine coolant | NOTE (4) | | | | | | | | R* | MA-12 |
| Engine oil | | R | R | R | R | R | R | R | R | MA-12 |
| Engine oil filter (Use genuine NISSAN engine oil filter or equivalent.) | | R | R | R | R | R | R | R | R | MA-17 |
| Spark plugs (Iridium-tipped type) | | Replace every 105,000 miles (169,000 km). | | | | | | | | MA-18 |
| Intake & exhaust valve clearance* | NOTE (5) | | | | | | | | | EM-18 |

NOTE:

- (1) After 60,000 miles (96,000 km) or 48 months, inspect every 15,000 miles (24,000 km) or 12 months. Replace the drive belts if found damaged or if the auto belt tensioner reading reaches the maximum limit.
- (2) If operating mainly in dusty conditions, more frequent maintenance may be required.
- (3) Maintenance-free item. For service procedures, refer to FL section.
- (4) After 60,000 miles (96,000 km) or 48 months, replace every 30,000 miles (48,000 km) or 24 months.
- (5) Periodic maintenance is not required. However, if valve noise increases, inspect valve clearance.

* Maintenance items and intervals with "*" are recommended by INFiniti for reliable vehicle operation. The owner need not perform such maintenance in order to maintain the emission warranty or manufacturer recall liability. Other maintenance items and intervals are required.

CHASSIS AND BODY

Abbreviations: R = Replace. I = Inspect. Correct or replace if necessary.

| MAINTENANCE OPERATION | | MAINTENANCE INTERVAL | | | | | | | | Reference Section - Page or - Content Title |
|--|---|----------------------|-------------------|--------------------|------------------|---------------------|--------------------|---------------------|------------------|--|
| Perform at number of miles, kilometers or months, whichever comes first. | Miles x 1,000 (km x 1,000) Months | 3.75 (6) 3 | 7.50 (12) 6 | 11.25 (18) 9 | 15 (24) 12 | 18.75 (30) 15 | 22.5 (36) 18 | 26.25 (42) 21 | 30 (48) 24 | |
| Brake lines & cables | | | | | I | | | | I | MA-33 |
| Brake pads & rotors | | | I | | I | | I | | I | MA-34 |
| Automatic transmission fluid, manual transmission gear oil, transfer fluid & differential gear oil | NOTE (1) | | | | I | | | | I | MA-20 MA-22 MA-24 MA-27 MA-28 MA-29 |
| Steering gear & linkage, axle & suspension parts | | | I | | I | | I | | I | MA-35 MA-36 |
| Tire rotation | NOTE (2) | | | | | | | | | MA-4 MA-30 |
| Drive shaft boots and propeller shaft (AWD models) | | | I | | I | | I | | I | MA-36 MA-24 MA-25 MA-26 MA-26 |
| Exhaust system | | | I | | I | | I | | I | MA-20 |
| In-cabin microfilter | | | | | R | | | | R | VTL-22 |
| Stop lamp switch & ASCD brake switch | NOTE (3) | | | | I | | | | I | BR-8 |

PERIODIC MAINTENANCE

< PERIODIC MAINTENANCE >

| MAINTENANCE OPERATION | | MAINTENANCE INTERVAL | | | | | | | | Reference Section - Page or - Content Title |
|--|--------------------------------------|----------------------|-----------------|------------------|---------------|------------------|-----------------|------------------|---------------|--|
| Perform at number of miles, kilometers or months, whichever comes first. | Miles x 1,000 (km x 1,000) Months | 33.75 (54) 27 | 37.5 (60) 30 | 41.25 (66) 33 | 45 (72) 36 | 48.75 (78) 39 | 52.5 (84) 42 | 56.25 (90) 45 | 60 (96) 48 | |
| Brake lines & cables | | | | | I | | | | I | MA-33 |
| Brake pads & rotors | | | I | | I | | I | | I | MA-34 |
| Automatic transmission fluid, manual transmission gear oil, transfer fluid & differential gear oil | NOTE (1) | | | | I | | | | I | MA-20 MA-22 MA-24 MA-27 MA-28 MA-29 |
| Steering gear & linkage, axle & suspension parts | | | I | | I | | I | | I | MA-35 MA-36 |
| Tire rotation | NOTE (2) | | | | | | | | | MA-4 MA-30 |
| Drive shaft boots and propeller shaft (AWD models) | | | I | | I | | I | | I | MA-36 MA-24 MA-25 MA-26 MA-26 |
| Exhaust system | | | I | | I | | I | | I | MA-20 |
| In-cabin microfilter | | | | | R | | | | R | VTL-22 |
| Stop lamp switch & ASCD brake switch | NOTE (3) | | | | I | | | | I | BR-8 |

NOTE:

(1) If towing a trailer, using a camper or a car-top carrier, or driving on rough or muddy roads, change (not just inspect) fluid /oil at every 30,000 miles (48,000 km) or 24 months. **Using automatic transmission fluid other than Genuine NISSAN Matic J ATF will cause deterioration in driveability and automatic transmission durability, and may damage the automatic transmission, which is not covered by the INFINITI new vehicle limited warranty.**

(2) Refer to "Tire rotation" under the "General maintenance" heading earlier in this section.

(3) Inspect the clearance between the brake pedal and the switches.

Schedule 2

INFOID:000000001835244

EMISSION CONTROL SYSTEM

Abbreviations: R = Replace. I = Inspect. Correct or replace if necessary. []: At the mileage intervals only

| MAINTENANCE OPERATION | | MAINTENANCE INTERVAL | | | | | | | | Reference Section - Page or - Content Title | |
|--|--------------------------------------|----------------------|---------------|-----------------|---------------|-----------------|---------------|-----------------|---------------|---|-----------------------|
| Perform at number of miles, kilometers or months, whichever comes first. | Miles x 1,000 (km x 1,000) Months | 7.5 (12) 6 | 15 (24) 12 | 22.5 (36) 18 | 30 (48) 24 | 37.5 (60) 30 | 45 (72) 36 | 52.5 (84) 42 | 60 (96) 48 | | |
| Drive belt | NOTE (1) | | | | | | | | I* | MA-12 | |
| Air cleaner filter | | | | | [R] | | | | [R] | MA-16 | |
| EVAP vapor lines | | | | | I* | | | | I* | MA-19 | |
| Fuel lines | | | | | I* | | | | I* | MA-16 | |
| Fuel filter | NOTE (2) | | | | | | | | | — | |
| Engine coolant | NOTE (3) | | | | | | | | | R* | MA-12 |
| Engine oil | | R | R | R | R | R | R | R | R | MA-12 | |
| Engine oil filter (Use genuine NISSAN engine oil filter or equivalent.) | | R | R | R | R | R | R | R | R | MA-17 | |

PERIODIC MAINTENANCE

< PERIODIC MAINTENANCE >

| MAINTENANCE OPERATION | | MAINTENANCE INTERVAL | | | | | | | | Reference Section - Page or - Content Title |
|--|-------------------------------|---|------------|--------------|------------|--------------|------------|--------------|------------|---|
| Perform at number of miles, kilometers or months, whichever comes first. | Miles x 1,000 (km x 1,000) | 7.5 (12) | 15 (24) | 22.5 (36) | 30 (48) | 37.5 (60) | 45 (72) | 52.5 (84) | 60 (96) | |
| | | Months | 6 | 12 | 18 | 24 | 30 | 36 | 42 | 48 |
| Spark plugs (Iridium-tipped type) | | Replace every 105,000 miles (169,000 km). | | | | | | | | MA-18 |
| Intake & exhaust valve clearance* | NOTE (4) | | | | | | | | | EM-18 |

NOTE:

(1) After 60,000 miles (96,000 km) or 48 months, inspect every 15,000 miles (24,000 km) or 12 months. Replace the drive belts if found damaged or if the auto belt tensioner reading reaches the maximum limit.

(2) Maintenance-free item. For service procedures, refer to FL section.

(3) After 60,000 miles (96,000 km) or 48 months, replace every 30,000 miles (48,000 km) or 24 months.

(4) Periodic maintenance is not required. However, if valve noise increases, inspect valve clearance.

* Maintenance items and intervals with "*" are recommended by INFINITI for reliable vehicle operation. The owner need not perform such maintenance in order to maintain the emission warranty or manufacturer recall liability. Other maintenance items and intervals are required.

CHASSIS AND BODY

Abbreviations: R = Replace. I = Inspect. Correct or replace if necessary.

| MAINTENANCE OPERATION | | MAINTENANCE INTERVAL | | | | | | | | Reference Section - Page or - Content Title |
|--|-------------------------------|----------------------|------------|--------------|------------|--------------|------------|--------------|------------|--|
| Perform at number of miles, kilometers or months, whichever comes first. | Miles x 1,000 (km x 1,000) | 7.5 (12) | 15 (24) | 22.5 (36) | 30 (48) | 37.5 (60) | 45 (72) | 52.5 (84) | 60 (96) | |
| | | Months | 6 | 12 | 18 | 24 | 30 | 36 | 42 | 48 |
| Brake lines & cables | | | I | | I | | I | | I | MA-33 |
| Brake pads & rotors | | | I | | I | | I | | I | MA-34 |
| Automatic transmission fluid, manual transmission gear oil, transfer fluid & differential gear oil | NOTE (1) | | I | | I | | I | | I | MA-20 MA-22 MA-24 MA-27 MA-28 MA-29 |
| Steering gear & linkage, axle & suspension parts | | | | | I | | | | I | MA-35 MA-36 |
| Tire rotation | NOTE (2) | | | | | | | | | MA-4 MA-30 |
| Drive shaft boots and propeller shaft (AWD models) | | | I | | I | | I | | I | MA-36 MA-24 MA-25 MA-26 MA-26 |
| Exhaust system | | | | | I | | | | I | MA-20 |
| In-cabin microfilter | | | R | | R | | R | | R | VTL-22 |
| Stop lamp switch & ASCD brake switch | NOTE (3) | | I | | I | | I | | I | BR-8 |

NOTE:

(1) Using automatic transmission fluid other than Genuine NISSAN Matic J ATF will cause deterioration in driveability and automatic transmission durability, and may damage the automatic transmission, which is not covered by the INFINITI new vehicle limited warranty.

(2) Refer to "Tire rotation" under the "General maintenance" heading earlier in this section.

(3) Inspect the clearance between the brake pedal and the switches.

RECOMMENDED FLUIDS AND LUBRICANTS

< PERIODIC MAINTENANCE >

RECOMMENDED FLUIDS AND LUBRICANTS

Fluids and Lubricants

INFOID:000000001835245

| | | | | Capacity (Approximate) | | | Recommended Fluids/Lubricants |
|-----------------------------------|---------------------------|------------------------------|------------|-------------------------|------------------------|--------------------|--|
| | | | | US mea- sure | Imp mea- sure | Liter | |
| Engine oil Drain and refill | With oil filter change | | | 5-1/8 qt | 4-1/4 qt | 4.9 | <ul style="list-style-type: none"> • Engine oil with API Certification Mark*¹ • Viscosity SAE 5W-30 |
| | Without oil filter change | | | 4-7/8 qt | 4 qt | 4.6 | |
| Dry engine (Overhaul) | | | | 6 qt | 5 qt | 5.7 | |
| Cooling system | With reser- voir tank | With oil cooler models | A/T models | 9-1/2 qt | 7-7/8 qt | 9.0 | Genuine NISSAN Long Life Antifreeze/ Coolant or equivalent |
| | | | M/T models | 9-5/8 qt | 8 qt | 9.1 | |
| | | Without oil cooler models | A/T models | 9 qt | 7-1/2 qt | 8.5 | |
| | | | M/T models | 9-1/8 qt | 7-5/8 qt | 8.6 | |
| | Reservoir tank | | | 7/8 qt | 3/4 qt | 0.8 | |
| Automatic transmission fluid | | | | 10-7/8 qt* ⁶ | 9-1/8 qt* ⁶ | 10.3* ⁶ | Genuine NISSAN Matic J ATF * ² |
| Manual transmission gear oil | | | | 6-1/4 pt | 5-1/8 pt | 2.93 | Genuine NISSAN Manual Transmission Fluid (MTF) HQ Multi 75W-85 or API GL-4, Viscosity SAE 75W-85 or 75W-90 |
| Differential gear oil | | | Front | 1-3/8 pt | 1-1/8 pt | 0.65 | Genuine NISSAN Differential Oil Hy- poid Super GL-5 80W-90 or API GL-5, Viscosity SAE 80W-90 * ³ |
| | | | Rear | 3 pt | 2-1/2 pt | 1.40 | |
| Transfer fluid | | | | 2-5/8 pt | 2-1/4 pt | 1.25 | Genuine NISSAN Matic D ATF (Conti- nental U.S. and Alaska) or Canada NIS- SAN Automatic Transmission Fluid or equivalent (if available) |
| Power steering fluid (PSF) | | | | 1-1/8 qt | 7/8 qt | 1.0 | Genuine NISSAN PSF or equivalent* ⁴ |
| Brake fluid | | | | — | — | — | Genuine NISSAN Super Heavy Duty Brake Fluid* ⁵ or equivalent DOT 3 (US FMVSS No. 116) |
| Multi-purpose grease | | | | — | — | — | NLGI No. 2 (Lithium soap base) |
| Windshield washer fluid | | | | — | — | — | Genuine NISSAN Windshield Washer Concentrate Cleaner & Antifreeze or equivalent |
| Fuel recommendation | | | | — | — | — | Refer to GI-29, "FUEL : Unleaded Pre- mium Gasoline Recommended" . |

*1: For further details, see "Engine Oil Recommendation".

*2: Using automatic transmission fluid other than Genuine NISSAN Matic J ATF will cause deterioration in driveability and automatic transmission durability, and may damage the automatic transmission, which is not covered by the INFINITI new vehicle limited warranty.

*3: For hot climates, viscosity SAE 90 is suitable for ambient temperatures above 0°C (32°F).

*4: Canada NISSAN Automatic Transmission Fluid or DEXRON™ VI type ATF may also be used.

*5: Available in mainland U.S.A. through an INFINITI dealer.

*6: The fluid capacity is the reference value. Check the fluid level with A/T fluid level gauge.

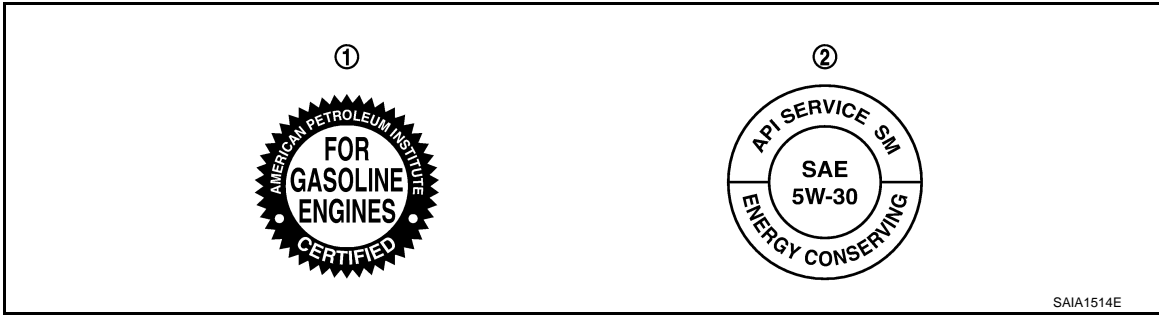
Engine Oil Recommendation

INFOID:000000001835246

NISSAN recommends the use of an energy conserving oil in order to improve fuel economy. Select only engine oils that meet the American Petroleum Institute (API) certification and International Lubricant Standardization and Approval Committee (ILSAC) certification and SAE viscosity standard. These oils have the API certification mark on the front of the container. Oils which do not have the specified quality label should not be used as they could cause engine damage.

RECOMMENDED FLUIDS AND LUBRICANTS

< PERIODIC MAINTENANCE >



- 1. API certification mark
- 2. API service symbol

Anti-Freeze Coolant Mixture Ratio

INFOID:000000001835247

The engine cooling system is filled at the factory with a high-quality, year-round, anti-freeze coolant solution. The anti-freeze solution contains rust and corrosion inhibitors. Therefore, additional cooling system additives are not necessary.

CAUTION:

When adding or replacing coolant, be sure to use only Genuine NISSAN Long Life Antifreeze/ Coolant or equivalent with the proper mixture ratio of 50% anti-freeze and 50% demineralized water/distilled water.

Other types of coolant solutions may damage your cooling system.

| Outside temperature down to | | Anti-freeze | Demineralized water or distilled water |
|-----------------------------|-----|-------------|--|
| °C | °F | | |
| -35 | -30 | 50% | 50% |

SMA947CA

A
B
C
D
E
F
G
H
I
J
K
L
M
N
O

MA

ENGINE MAINTENANCE

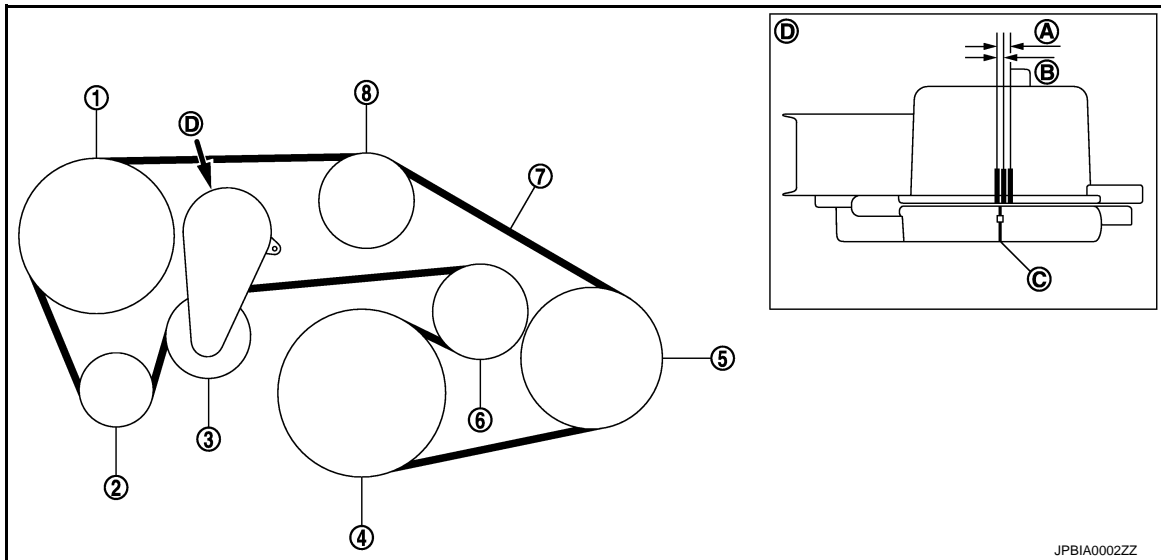
< PERIODIC MAINTENANCE >

ENGINE MAINTENANCE

DRIVE BELT

DRIVE BELT : Exploded View

INFOID:000000002990101



- | | | |
|----------------------------|---|------------------------------|
| 1. Power steering oil pump | 2. Alternator | 3. Drive belt auto-tensioner |
| 4. Crankshaft pulley | 5. A/C compressor | 6. Idler pulley |
| 7. Drive belt | 8. Idler pulley | C. Indicator |
| A. Possible use range | B. Range when new drive belt is installed | |
| D. View D | | |

DRIVE BELT : Checking

INFOID:000000002990102

WARNING:

Be sure to perform the this step when engine is stopped.

- Check that the indicator (C) (notch on fixed side) of drive belt auto-tensioner is within the possible use range (A).

NOTE:

- Check the drive belt auto-tensioner indication when the engine is cold.
- When new drive belt is installed, the indicator (notch on fixed side) should be within the range (B) in the figure.
- Visually check entire drive belt for wear, damage or cracks.
- If the indicator (notch on fixed side) is out of the possible use range or belt is damaged, replace drive belt.

DRIVE BELT : Tension Adjustment

INFOID:000000002990103

Refer to [EM-143. "Drive Belt"](#).

ENGINE COOLANT

ENGINE COOLANT : Draining

INFOID:000000002990104

WARNING:

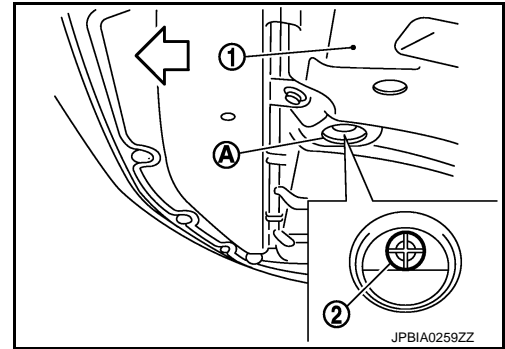
- **To avoid being scalded, never change engine coolant when the engine is hot.**
- **Wrap a thick cloth around radiator cap and carefully remove radiator cap. First, turn radiator cap a quarter of a turn to release built-up pressure. Then turn radiator cap all the way.**

1. Open radiator drain plug (2) at the bottom of radiator, and then remove radiator cap.

ENGINE MAINTENANCE

< PERIODIC MAINTENANCE >

- 1 : Engine under cover
- A : Radiator drain plug hole
- ↔ : Vehicle front



When draining all of engine coolant in the system, open water drain plugs on cylinder block. Refer to [EM-89, "Setting"](#).

2. Remove reservoir tank as necessary, and drain engine coolant and clean reservoir tank before installing.
3. Check drained engine coolant for contaminants such as rust, corrosion or discoloration. If contaminated, flush the engine cooling system. Refer to [MA-15, "ENGINE COOLANT : Flushing"](#).

ENGINE COOLANT : Refilling

INFOID:00000002990105

1. Remove air cleaner case (LH). Refer to [EM-26, "Exploded View"](#).
2. Install reservoir tank if removed, and radiator drain plug.

CAUTION:

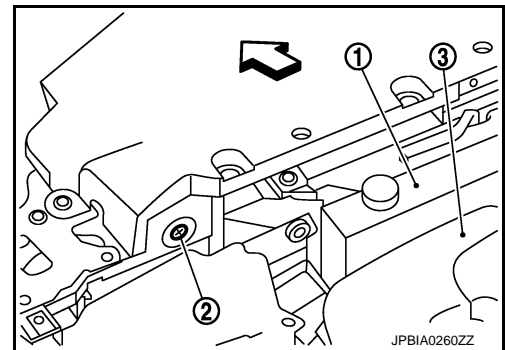
Be sure to clean drain plug and install with new O-ring.

Tightening torque : Refer to [CO-14, "Exploded View"](#).

If water drain plugs on cylinder block are removed, close and tighten them. Refer to [EM-117, "Disassembly and Assembly"](#).

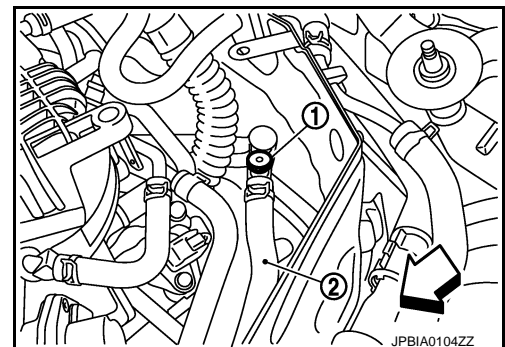
3. Check that each hose clamp has been firmly tightened.
4. Remove air relief plug (2) on radiator left side.

- 1 : Reservoir tank
- 3 : Engine cover
- ↔ : Vehicle front



5. Remove air relief plug (1) on heater hose.

- 2 : Heater hose
- ↔ : Vehicle front



A
B
C
D
E
F
G
H
I
J
K
L
M
N
O

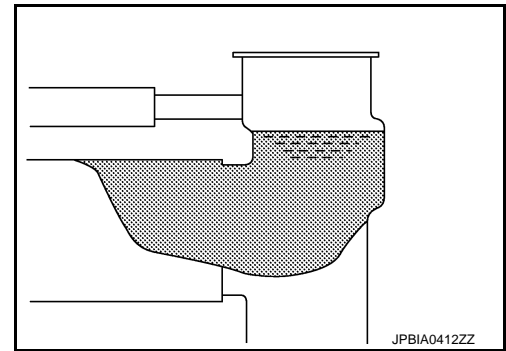
MA

ENGINE MAINTENANCE

< PERIODIC MAINTENANCE >

6. Fill radiator, and reservoir tank if removed, to specified level.
 - Pour engine coolant through engine coolant filler neck slowly of less than 2 ℓ (2-1/8 US qt, 1-3/4 Imp qt) a minute to allow air in system to escape.
 - Use Genuine NISSAN Long Life Antifreeze/Coolant or equivalent mixed with water (distilled or demineralized). Refer to [MA-10, "Fluids and Lubricants"](#).

Engine coolant capacity : Refer to [CO-26, "Periodical Maintenance Specification"](#).
(With reservoir tank at "MAX" level)

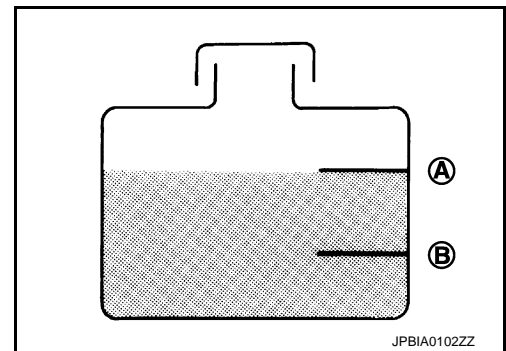


Reservoir tank engine coolant capacity : Refer to [CO-26, "Periodical Maintenance Specification"](#).
(At "MAX" level)

A : MAX
B : MIN

7. When engine coolant overflows air relief hole on radiator, install air relief plug with new O-ring.

Tightening torque : Refer to [CO-14, "Exploded View"](#).



8. Repeat step 6.
9. When engine coolant overflows air relief hole on heater hose, install air relief plug with new O-ring. Then refill radiator with engine coolant.

 : 1.2 N-m (0.12 kg-m, 11 in-lb)

10. Install air cleaner case (LH). Refer to [EM-26, "Exploded View"](#).
11. Install radiator cap.
12. Warm up engine until opening thermostat. Standard for warming-up time is approximately 10 minutes at 3,000 rpm.
 - Check thermostat opening condition by touching radiator hose (lower) to see a flow of warm water.**CAUTION:**
Watch water temperature gauge so as not to overheat engine.
13. Stop the engine and cool down to less than approximately 50°C (122°F).
 - Cool down using fan to reduce the time.
 - If necessary, refill radiator up to filler neck with engine coolant.
14. Refill reservoir tank to "MAX" level line with engine coolant.
15. Repeat steps 11 through 14 two or more times with radiator cap installed until engine coolant level no longer drops.
16. Check cooling system for leaks with engine running.
17. Warm up the engine, and check for sound of engine coolant flow while running engine from idle up to 3,000 rpm with heater temperature controller set at several position between "COOL" and "WARM".
 - Sound may be noticeable at heater unit.
18. Repeat step 17 three times.
19. If sound is heard, bleed air from cooling system by repeating step 6, and steps from 11 to 18 until engine coolant level no longer drops.
20. Check that the reservoir tank cap is tightened.

ENGINE MAINTENANCE

< PERIODIC MAINTENANCE >

ENGINE COOLANT : Flushing

INFOID:00000002990106

1. Install reservoir tank if removed, and radiator drain plug.

CAUTION:

Be sure to clean drain plug and install with new O-ring.

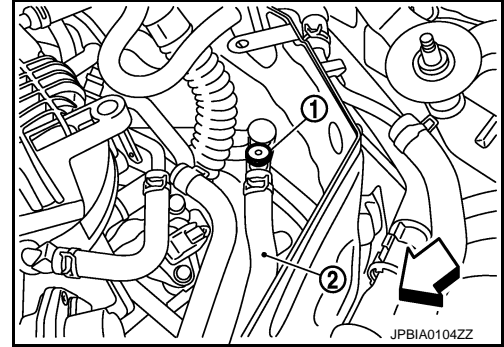
Tightening torque : Refer to [CO-14, "Exploded View"](#).

If water drain plugs on cylinder block are removed, close and tighten them. Refer to [EM-117, "Disassembly and Assembly"](#).

2. Remove air relief plug (1) on heater hose.

2 : Heater hose

← : Vehicle front

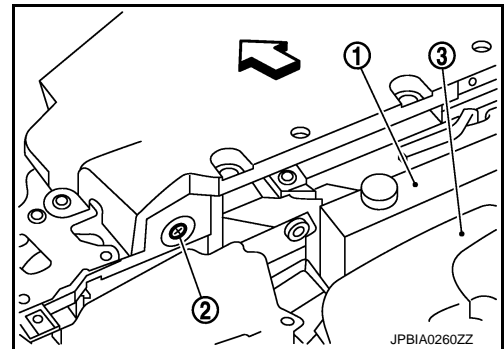


3. Remove air relief plug (2) on radiator.

1 : Reservoir tank

3 : Engine cover

← : Vehicle front



4. Fill radiator with water until water spills from the air relief holes, then close air relief plugs. Fill radiator and reservoir tank with water and reinstall radiator cap.

Tightening torque : Refer to [CO-14, "Exploded View"](#).

5. Run the engine and warm it up to normal operating temperature.
6. Rev the engine two or three times under no-load.
7. Stop the engine and wait until it cools down.
8. Drain water from the system. Refer to [MA-12, "ENGINE COOLANT : Draining"](#).
9. Repeat steps 1 through 8 until clear water begins to drain from radiator.
10. Check that the reservoir tank cap is tightened.

FUEL LINES

A
B
C
D
E
F
G
H
I
J
K
L
M
N
O

MA

ENGINE MAINTENANCE

< PERIODIC MAINTENANCE >

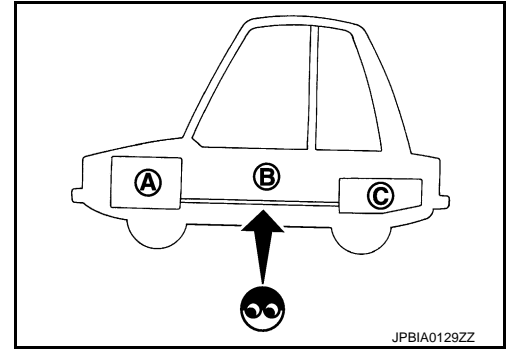
FUEL LINES : Inspection

INFOID:000000002990107

Inspect fuel lines, fuel filler cap and fuel tank for improper attachment, leaks, cracks, damage, loose connections, chafing or deterioration.

If necessary, repair or replace damaged parts.

- A : Engine
- B : Fuel line
- C : Fuel tank



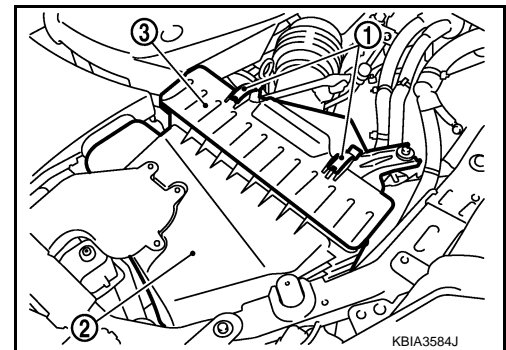
AIR CLEANER FILTER

AIR CLEANER FILTER : Removal and Installation

INFOID:000000002990108

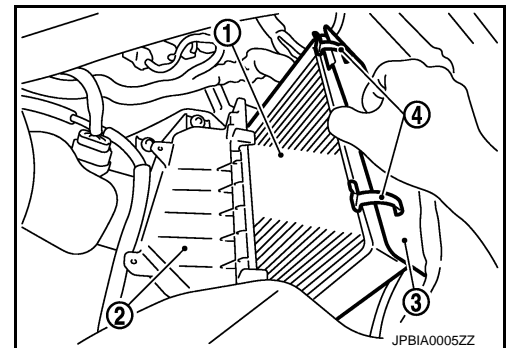
REMOVAL

1. Unhook clips (1) and remove holder (3) from air cleaner case (2).



2. Remove air cleaner filter (1) from air cleaner case (2).

- 3 : Holder
- 4 : Clip



INSTALLATION

Note the following, and install in the reverse order of removal.

- Install the air cleaner filter by aligning the seal with the notch of air cleaner case.

ENGINE OIL

ENGINE OIL : Draining

INFOID:000000002990109

WARNING:

- Be careful not to get burn yourself, as engine oil may be hot.
- Prolonged and repeated contact with used engine oil may cause skin cancer. Try to avoid direct skin contact with used engine oil. If skin contact is made, wash thoroughly with soap or hand cleaner as soon as possible.

1. Warm up the engine, and check for engine oil leakage from engine components. Refer to [LU-7, "Inspection"](#).
2. Stop the engine and wait for 10 minutes.

ENGINE MAINTENANCE

< PERIODIC MAINTENANCE >

3. Loosen oil filler cap.
4. Remove undercover with power tool.
5. Remove drain plug and then drain engine oil.

ENGINE OIL : Refilling

INFOID:000000002990110

1. Install drain plug with new washer. Refer to [EM-42, "Exploded View \(2WD\)"](#) or [EM-43, "Exploded View \(AWD\)"](#).

CAUTION:

Be sure to clean drain plug and install with new washer.

Tightening torque : Refer to [EM-42, "Exploded View \(2WD\)"](#).

2. Refill with new engine oil.

Engine oil specification and viscosity: Refer to [MA-17, "ENGINE OIL : Refilling"](#).

Engine oil capacity : Refer to [LU-19, "Periodical Maintenance Specification"](#).

CAUTION:

- When filling engine oil, never pull out oil level gauge.
- The refill capacity depends on the engine oil temperature and drain time. Use these specifications for reference only.
- Always use oil level gauge to determine the proper amount of engine oil in engine.

3. Warm up the engine and check area around drain plug and oil filter for engine oil leakage.
4. Stop the engine and wait for 10 minutes.
5. Check the engine oil level. Refer to [LU-7, "Inspection"](#).

OIL FILTER

OIL FILTER : Removal and Installation

INFOID:000000002990111

REMOVAL

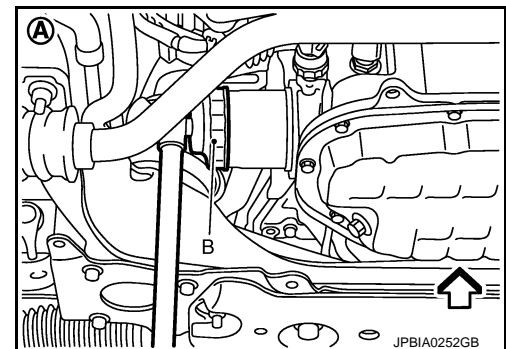
CAUTION:

- Oil filter is provided with relief valve. Use genuine NISSAN oil filter or equivalent.
- Be careful not to get burned when engine and engine oil may be hot.
- When removing, prepare a shop cloth to absorb any engine oil leakage or spillage.
- Never allow engine oil to adhere to drive belts.
- Completely wipe off any engine oil that adheres to engine and vehicle.

1. Remove engine undercover with power tool.
2. Using oil filter wrench [SST: KV10115801 (J38956)] (B), remove oil filter.

A : 2WD

⇐ : Engine front



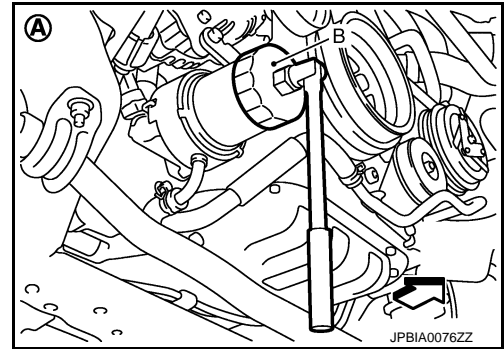
A
B
C
D
E
F
G
H
I
J
K
L
M
N
O
MA

ENGINE MAINTENANCE

< PERIODIC MAINTENANCE >

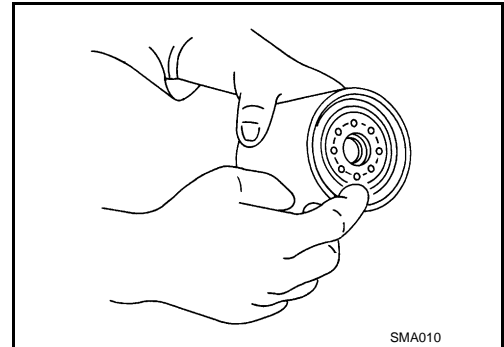
A : AWD

↶ : Engine front



INSTALLATION

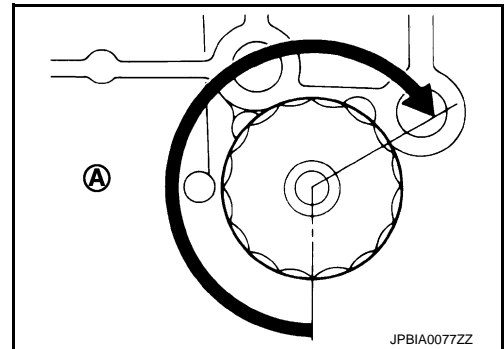
1. Remove foreign materials adhering to oil filter installation surface.
2. Apply engine oil to the oil seal contact surface of new oil filter.



3. Screw oil filter manually until it touches the installation surface, then tighten it by 2/3 turn (A). Or tighten to the specification.

Oil filter:

: 17.7 N·m (1.8 kg-m, 13 ft-lb)



OIL FILTER : Inspection

INFOID:000000002990112

INSPECTION AFTER INSTALLATION

1. Check the engine oil level. Refer to [LU-7, "Inspection"](#).
2. Start the engine, and check there is no leak of engine oil.
3. Stop the engine and wait for 10 minutes.
4. Check the engine oil level, and adjust the level. Refer to [LU-7, "Inspection"](#).

SPARK PLUG

SPARK PLUG : Removal and Installation

INFOID:000000002990113

REMOVAL

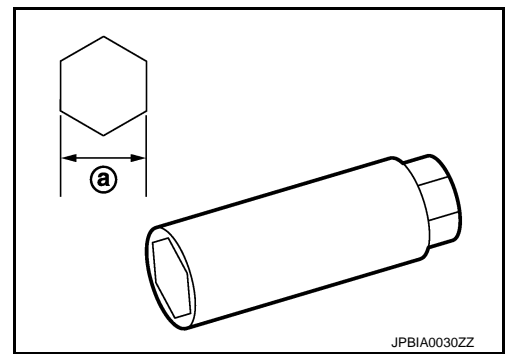
1. Remove engine cover with power tool. Refer to [EM-28, "Exploded View"](#).
2. Remove air cleaner case and air duct (RH and LH). Refer to [EM-26, "Exploded View"](#).
3. Remove electric throttle control actuator. Refer to [EM-31, "Exploded View"](#).
4. Remove ignition coil. Refer to [EM-46, "Removal and Installation"](#).

ENGINE MAINTENANCE

< PERIODIC MAINTENANCE >

- Remove spark plug with a spark plug wrench (commercial service tool).

a : 14 mm (0.55 in)



INSTALLATION

Installation is the reverse order of removal.

SPARK PLUG : Inspection

INFOID:000000002990114

INSPECTION AFTER REMOVAL

Use the standard type spark plug for normal condition.

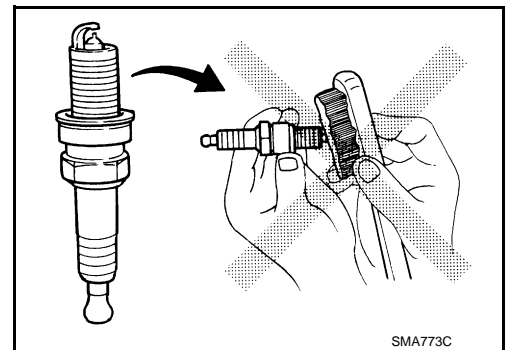
Spark plug (Standard type) : Refer to [EM-144, "Spark Plug"](#).

CAUTION:

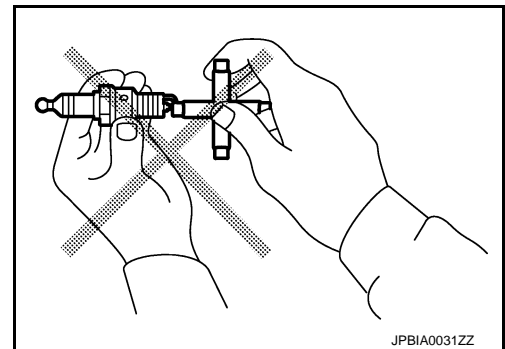
- Never drop or shock spark plug.
- Never use a wire brush for cleaning.
- If plug tip is covered with carbon, spark plug cleaner may be used.

Cleaner air pressure: Less than 588 kPa (6 kg/cm², 85 psi)

Cleaning time: Less than 20 seconds



- Checking and adjusting plug gap is not required between change intervals.



EVAP VAPOR LINES

EVAP VAPOR LINES : Inspection

INFOID:000000001835261

- Visually inspect EVAP vapor lines for improper attachment and for cracks, damage, loose connections, chafing and deterioration.
- Inspect fuel tank filler cap vacuum relief valve for clogging, sticking, etc.
Refer to [EC-74, "System Diagram"](#).

A
B
C
D
E
F
G
H
I
J
K
L
M
N
O

MA

CHASSIS MAINTENANCE

< PERIODIC MAINTENANCE >

CHASSIS MAINTENANCE

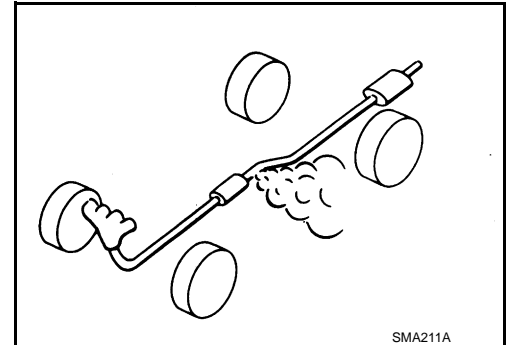
EXHAUST SYSTEM

EXHAUST SYSTEM : Inspection

INFOID:000000002990115

Check exhaust pipes, muffler and mounting for improper attachment, leaks, cracks, damage or deterioration.

- If anything is found, repair or replace damaged parts.



A/T FLUID

A/T FLUID : Inspection

INFOID:000000002990116

A/T FLUID LEAKAGE AND A/T FLUID LEVEL CHECK

1. Warm up engine.
2. Check for A/T fluid leakage.
3. Loosen the level gauge bolt.
4. Before driving, A/T fluid level can be checked at A/T fluid temperatures of 30 to 50°C (86 to 122°F) using "COLD" range on A/T fluid level gauge as follows.

- a. Park vehicle on level surface and set parking brake.
- b. Start engine and move selector lever through each gear position. Leave selector lever in "P" position.
- c. Check A/T fluid level with engine idling.
- d. Remove A/T fluid level gauge and wipe clean with lint-free paper.

CAUTION:

When wiping away the A/T fluid level gauge, always use lint-free paper, not a cloth one.

- e. Re-insert A/T fluid level gauge into A/T fluid charging pipe as far as it will go.

CAUTION:

To check A/T fluid level, insert the A/T fluid level gauge until the cap contacts the end of the A/T fluid charging pipe, with the A/T fluid level gauge reversed from the normal attachment conditions.

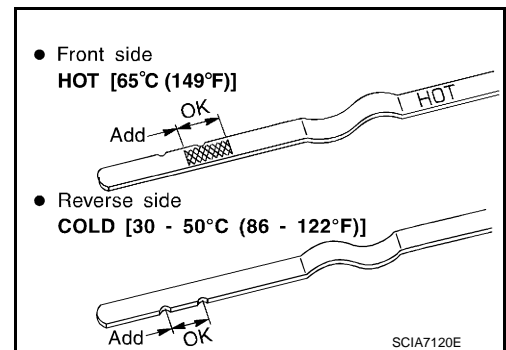
- f. Remove A/T fluid level gauge and note reading. If reading is at low side of range, add ATF to the A/T fluid charging pipe.

CAUTION:

Do not overfill.

5. Drive vehicle for approximately 5 minutes in urban areas.
6. Make the A/T fluid temperature approximately 65°C (149°F).

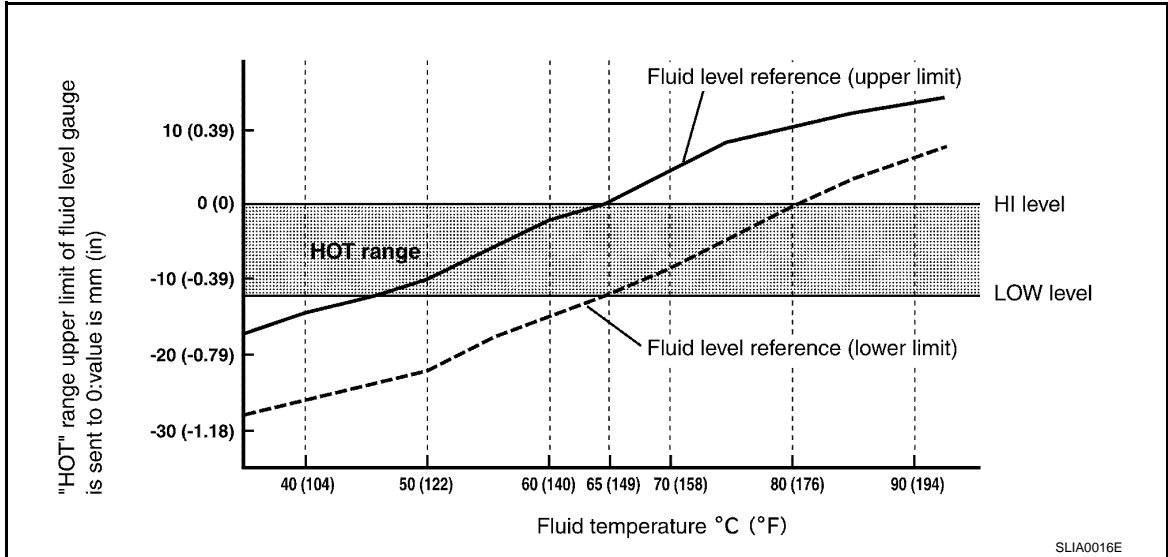
NOTE:



CHASSIS MAINTENANCE

< PERIODIC MAINTENANCE >

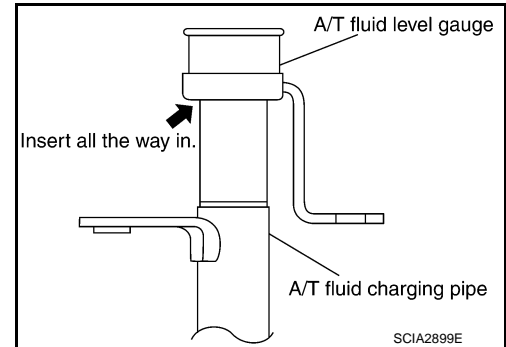
A/T fluid level will be greatly affected by temperature as shown in figure. Therefore, be certain to perform operation while checking data with CONSULT-III.



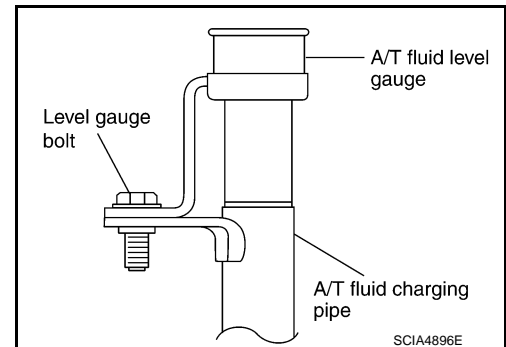
- Select "DATA MONITOR" mode.
- Read out the value of "ATF TEMP 1".
- Re-check A/T fluid level at A/T fluid temperatures of approximately 65°C (149°F) using "HOT" range on A/T fluid level gauge.

CAUTION:

- When wiping away the A/T fluid level gauge, always use lint-free paper, not a cloth one.
- To check A/T fluid level, insert the A/T fluid level gauge until the cap contacts the end of the A/T fluid charging pipe, with the A/T fluid level gauge reversed from the normal attachment conditions as shown.



- Install the removed A/T fluid level gauge in the A/T fluid charging pipe.
- Tighten level gauge bolt. Refer to [TM-282, "2WD : Exploded View"](#) (2WD), [TM-285, "AWD : Exploded View"](#) (AWD).



A/T FLUID CONDITION CHECK

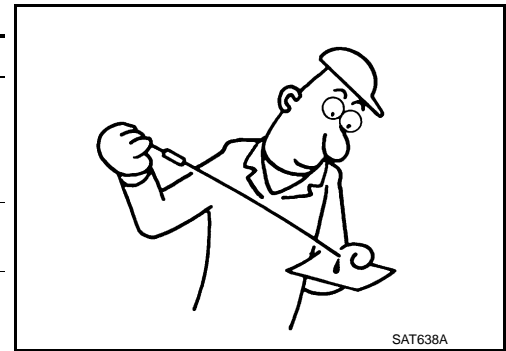
Check the A/T fluid condition.

A
B
C
D
E
F
G
H
I
J
K
L
M
N
O

CHASSIS MAINTENANCE

< PERIODIC MAINTENANCE >

| Fluid condition | Conceivable cause | Required operation |
|---------------------------------------|--|---|
| Varnished (viscous varnish state) | Clutch, brake scorched | Replace the ATF and check the A/T main unit and the vehicle for malfunctions (wire harnesses, cooler pipes, etc.) |
| Milky white or cloudy | Water in the fluid | Replace the ATF and check for places where water is getting in. |
| Large amount of metal powder mixed in | Unusual wear of sliding parts within A/T | Replace the ATF and check for improper operation of the A/T. |

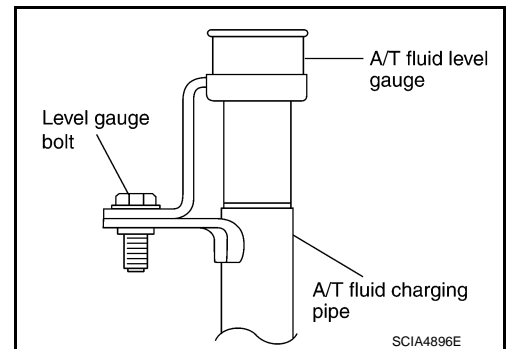


SAT638A

INFOID:000000002990117

A/T FLUID : Changing

1. Warm up ATF.
2. Stop engine.
3. Loosen the level gauge bolt.
4. Drain ATF from drain plug and refill with new ATF. Always refill same volume with drained ATF.
 - To replace the ATF, pour in new ATF at the A/T fluid charging pipe with the engine idling and at the same time drain the old ATF from the radiator cooler hose return side.
 - When the color of the ATF coming out is about the same as the color of the new ATF, the replacement is complete. The amount of new ATF to use should be 30 to 50% increase of the stipulated amount.



SCIA4896E

ATF : Refer to [TM-359, "General Specification"](#).

Fluid capacity : Refer to [TM-359, "General Specification"](#).

CAUTION:

- Use only Genuine NISSAN Matic J ATF. Do not mix with other ATF.
- Using ATF other than Genuine NISSAN Matic J ATF will cause deterioration in driveability and A/T durability, and may damage the A/T, which is not covered by the INFINITI new vehicle limited warranty.
- When filling ATF, be careful not to scatter heat generating parts such as exhaust.
- Do not reuse drain plug gasket.

Drain plug - tightening torque : Refer to [TM-246, "Exploded View"](#).

5. Run engine at idle speed for 5 minutes.
6. Check A/T fluid level and condition. Refer to [MA-20, "A/T FLUID : Inspection"](#). If ATF is still dirty, repeat step 2. through 5.
7. Install the removed A/T fluid level gauge into A/T fluid charging pipe.
8. Tighten the level gauge bolt. Refer to [TM-282, "2WD : Exploded View"](#) (2WD), [TM-285, "AWD : Exploded View"](#) (AWD).

GEAR OIL

GEAR OIL : Inspection

INFOID:000000002990249

LEAKAGE

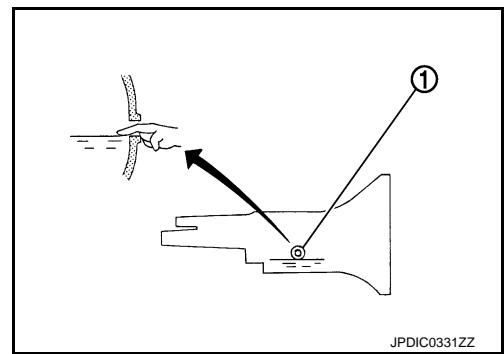
Make sure that gear oil is not leaking from transmission or around it.

LEVEL

CHASSIS MAINTENANCE

< PERIODIC MAINTENANCE >

1. Remove filler plug (1).
2. Check oil level from filler plug mounting hole as shown in the figure.
CAUTION:
Never start engine while checking oil level.
3. Set a gasket on filler plug and then install it to transmission case.
CAUTION:
Never reuse gasket.
4. Tighten filler plug to the specified torque. Refer to [TM-30, "Exploded View"](#).



INFOID:000000002990250

GEAR OIL : Draining

1. Start the engine and let it run to warm up transmission.
2. Stop the engine. Remove drain plug and then drain gear oil.
3. Set a gasket on drain plug and install it to transmission case.
CAUTION:
Never reuse gasket.
4. Tighten drain plug to the specified torque. Refer to [TM-30, "Exploded View"](#).

GEAR OIL : Refilling

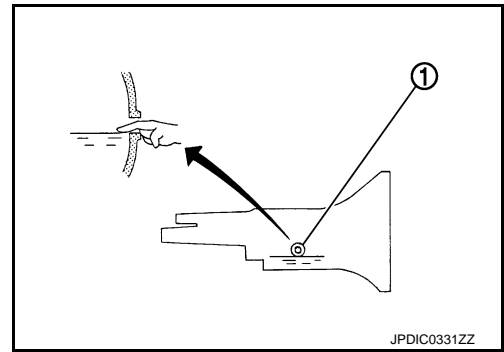
INFOID:000000002990251

1. Remove filler plug (1). Fill with new gear oil to transmission as shown in the figure.

Oil grade and viscosity : Refer to [MA-10, "Fluids and Lubricants"](#).

Oil capacity : Refer to [TM-78, "General Specifications"](#).

2. After refilling gear oil, check oil level. Refer to [MA-22, "GEAR OIL : Inspection"](#).
3. Set a gasket on filler plug and then install it to transmission case.
CAUTION:
Never reuse gasket.
4. Tighten filler plug to the specified torque. Refer to [TM-30, "Exploded View"](#).



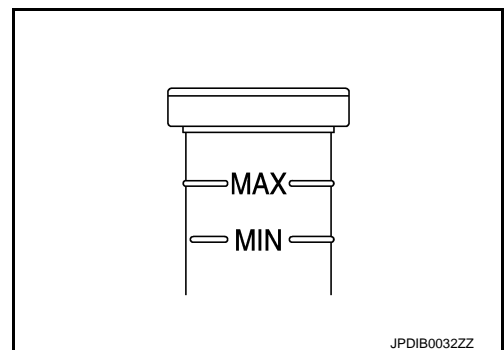
CLUTCH FLUID

CLUTCH FLUID : Inspection

INFOID:000000002990118

CLUTCH FLUID LEVEL

- Check that the fluid level in the reservoir tank is within the specified range (MAX – MIN lines).
- Visually check for any clutch fluid leakage around the reservoir tank.
- Check the clutch system for any leakage if the fluid level is extremely low (lower than MIN).



TRANSFER FLUID

A
B
C
D
E
F
G
H
I
J
K
L
M
N
O

MA

CHASSIS MAINTENANCE

< PERIODIC MAINTENANCE >

TRANSFER FLUID : Inspection

INFOID:000000002990186

FLUID LEAKAGE

- Check if fluid is leaking from transfer or around it.

FLUID LEVEL

- Check fluid level from filler plug (1) mounting hole as shown in the figure.

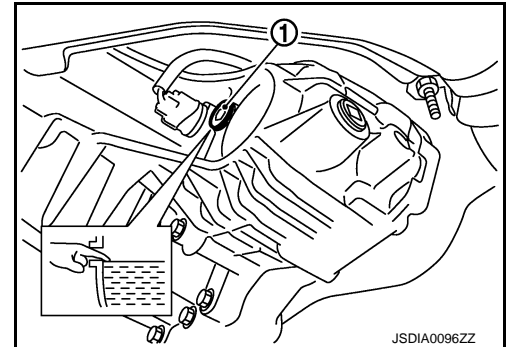
CAUTION:

Never start engine while checking fluid level.

- Before installing filler plug, set a new gasket. Install filler plug on transfer and tighten to the specified torque. Refer to [DLN-57, "Exploded View"](#).

CAUTION:

Never reuse gasket.



JSDIA0096ZZ

TRANSFER FLUID : Draining

INFOID:000000002990187

1. Run the vehicle to warm up the transfer unit sufficiently.
2. Stop the engine, and remove the drain plug (1) to drain the transfer fluid.

CAUTION:

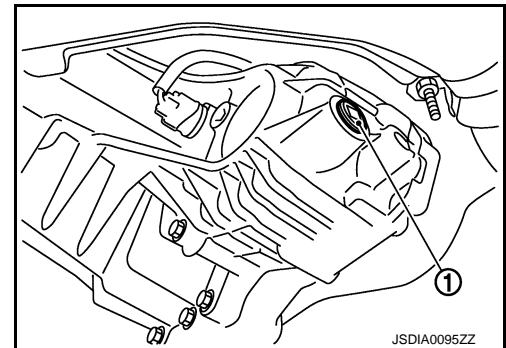
When draining fluid, protect exhaust tube flange with cover.

3. Apply sealant to drain plug. Install drain plug on transfer and tighten to the specified torque. Refer to [DLN-57, "Exploded View"](#).

- Use Genuine Silicone RTV or equivalent. Refer to [GI-15, "Recommended Chemical Products and Sealants"](#).

CAUTION:

Remove old sealant adhering to mounting surfaces. Also remove any moisture, oil, or foreign material adhering to application and mounting surfaces.



JSDIA0096ZZ

TRANSFER FLUID : Refilling

INFOID:000000002990188

1. Remove filler plug (1) and add transfer fluid until fluid level reaches the specified limit near filler plug mounting hole.

Fluid and viscosity : Refer to [MA-10, "Fluids and Lubricants"](#).

Fluid capacity : Refer to [DLN-75, "General Specifications"](#).

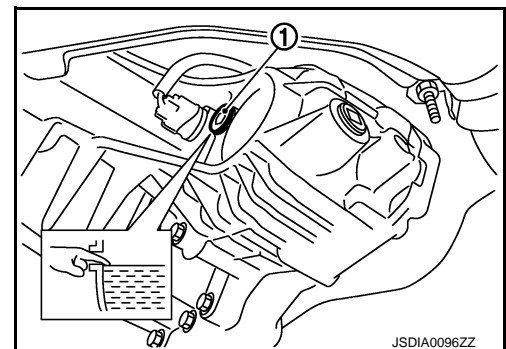
CAUTION:

Carefully fill the fluid. (Fill up for approx. 3 minutes.)

2. Leave the vehicle for 3 minutes, and check the fluid level again.
3. Set a new gasket onto filler plug and install it on transfer and tighten to the specified torque. Refer to [DLN-57, "Exploded View"](#).

CAUTION:

Never reuse gasket.



JSDIA0096ZZ

FRONT PROPELLER SHAFT: 2S56A

FRONT PROPELLER SHAFT: 2S56A : Inspection

INFOID:000000002990189

NOISE

- Check the propeller shaft tube surface for dents or cracks. If damaged, replace propeller shaft assembly.

CHASSIS MAINTENANCE

< PERIODIC MAINTENANCE >

VIBRATION

• If vibration is present at high speed, inspect propeller shaft runout first.

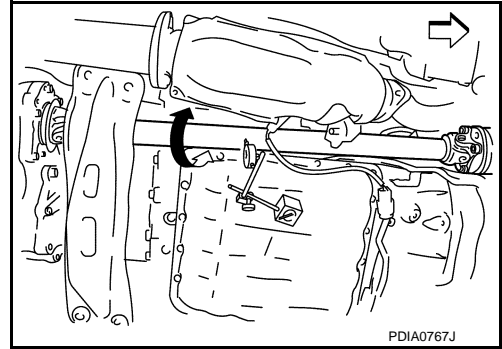
1. Measure propeller shaft runout at several points by rotating final drive companion flange with hands.

↔: Vehicle front

Limit

Propeller shaft runout : Refer to [DLN-81, "Propeller Shaft Runout"](#).

2. If runout still exceeds specifications, separate propeller shaft at final drive companion flange; then rotate companion flange 90, 180, 270 degrees and install propeller shaft.
3. Check runout again. If runout still exceeds specifications, replace propeller shaft assembly.
4. Check the vibration by driving vehicle.

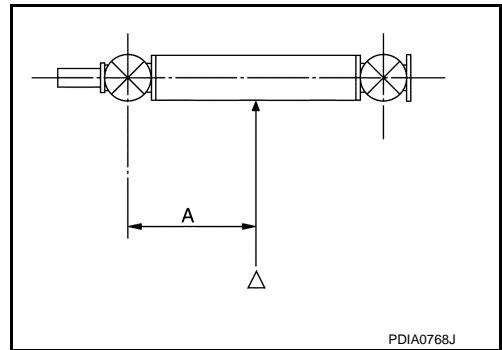


RUNOUT MEASURING POINT

• Propeller shaft runout measuring point (Point "Δ").

Dimension

A: 381.5 mm (15.02 in)



REAR PROPELLER SHAFT: 3S80A

REAR PROPELLER SHAFT: 3S80A : Inspection

INFOID:000000002990190

NOISE

- Check the propeller shaft tube surface for dents or cracks. If damaged, replace propeller shaft assembly.
- If center bearing is noisy or damaged, replace propeller shaft assembly.

VIBRATION

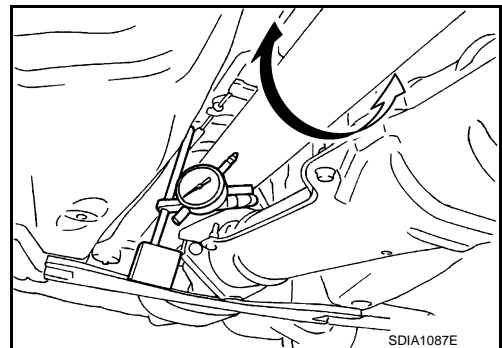
If vibration is present at high speed, inspect propeller shaft runout first.

1. Measure propeller shaft runout at several points by rotating final drive companion flange with hands.

Limit

Propeller shaft runout : Refer to [DLN-104, "Propeller Shaft Runout"](#).

2. If runout still exceeds specifications, separate propeller shaft at final drive companion flange; then rotate companion flange 90, 180, 270 degrees and install propeller shaft.
3. Check runout again. If runout still exceeds specifications, replace propeller shaft assembly.
4. Check the vibration by driving vehicle.



RUNOUT MEASURING POINT

A
B
C
D
E
F
G
H
I
J
K
L
M
N
O
MA

CHASSIS MAINTENANCE

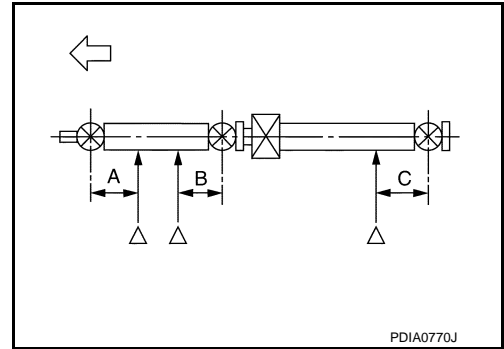
< PERIODIC MAINTENANCE >

Propeller shaft runout measuring point (Point "△").

←: Vehicle front

Dimension

A: 192 mm (7.56 in)
B: 172 mm (6.77 in)
C: 170 mm (6.69 in)



REAR PROPELLER SHAFT: 3S80A-R

REAR PROPELLER SHAFT: 3S80A-R : Inspection

INFOID:000000002990191

NOISE

- Check the propeller shaft tube surface for dents or cracks. If damaged, replace propeller shaft assembly.
- If center bearing is noisy or damaged, replace propeller shaft assembly.

VIBRATION

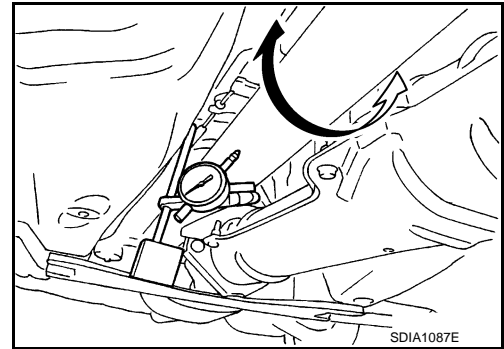
If vibration is present at high speed, inspect propeller shaft runout first.

1. Measure propeller shaft runout at several points by rotating final drive companion flange with hands.

Limit

Propeller shaft runout : Refer to [DLN-96, "Propeller Shaft Runout"](#).

2. If runout still exceeds specifications, separate propeller shaft at final drive companion flange; then rotate companion flange 120, 240 degrees and install propeller shaft.
3. Check runout again. If runout still exceeds specifications, replace propeller shaft assembly.
4. Check the vibration by driving vehicle.



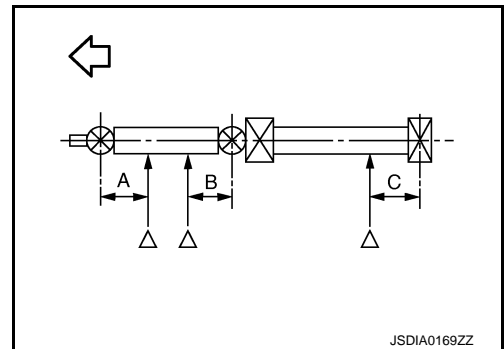
RUNOUT MEASURING POINT

Propeller shaft runout measuring point (Point "△").

←: Vehicle front

Dimension

A: 192 mm (7.56 in)
B: 172 mm (6.77 in)
C: 172 mm (6.77 in)



REAR PROPELLER SHAFT: 3F80A-1VL107

REAR PROPELLER SHAFT: 3F80A-1VL107 : Inspection

INFOID:000000002990192

NOISE

- Check the propeller shaft tube surface for dents or cracks. If damaged, replace propeller shaft assembly.
- If center bearing is noisy or damaged, replace propeller shaft assembly.

VIBRATION

If vibration is present at high speed, inspect propeller shaft runout first.

CHASSIS MAINTENANCE

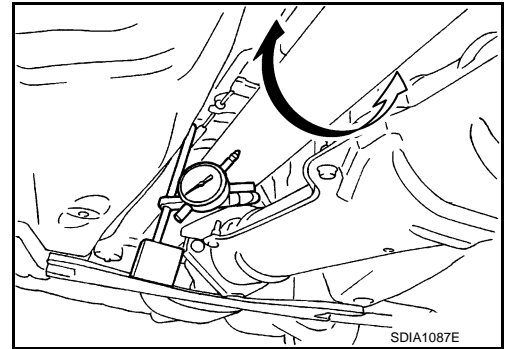
< PERIODIC MAINTENANCE >

1. With a dial indicator, measure propeller shaft runout at several points by rotating final drive companion flange with hands.

Limit

Propeller shaft runout : Refer to [DLN-104, "Propeller Shaft Runout"](#).

2. If runout still exceeds specifications, separate propeller shaft at final drive companion flange; then rotate companion flange 90, 180, 270 degrees and install propeller shaft.
3. Check runout again. If runout still exceeds specifications, replace propeller shaft assembly.
4. Check the vibration by driving vehicle.



RUNOUT MEASURING POINT

Propeller shaft runout measuring point (Point "Δ").

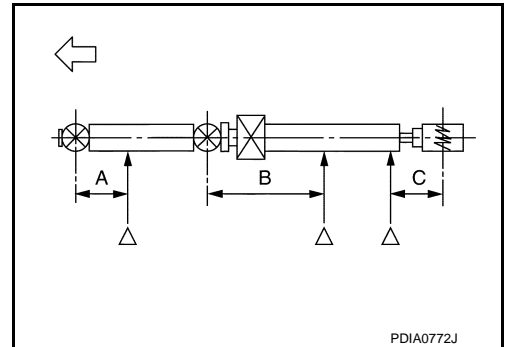
↔: Vehicle front

Dimension

A: 162 mm (6.38 in)

B: 245 mm (9.65 in)

C: 185 mm (7.28 in)



FRONT DIFFERENTIAL GEAR OIL: F160A

FRONT DIFFERENTIAL GEAR OIL: F160A : Inspection

INFOID:000000002990193

OIL LEAKAGE

Make sure that oil is not leaking from final drive assembly or around it.

OIL LEVEL

- Remove filler plug (1) and check oil level from filler plug mounting hole as shown in the figure.

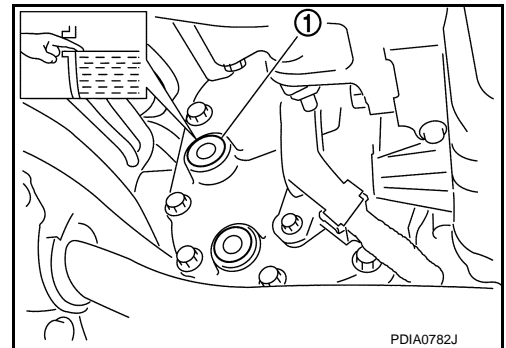
CAUTION:

Never start engine while checking oil level.

- Set a gasket on filler plug (1) and install it on final drive assembly. Refer to [DLN-118, "Exploded View"](#).

CAUTION:

Never reuse gasket.



FRONT DIFFERENTIAL GEAR OIL: F160A : Draining

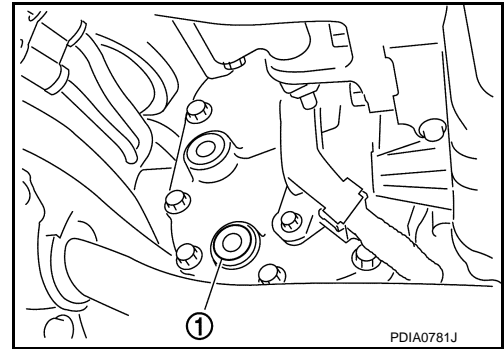
INFOID:000000002990194

1. Stop engine.

CHASSIS MAINTENANCE

< PERIODIC MAINTENANCE >

2. Remove drain plug (1) and drain gear oil.
3. Set a gasket on drain plug (1) and install it to final drive assembly and tighten to the specified torque. Refer to [DLN-118, "Exploded View"](#).
CAUTION:
Never reuse gasket.



FRONT DIFFERENTIAL GEAR OIL: F160A : Refilling

INFOID:000000002990195

1. Remove filler plug (1). Fill with new gear oil until oil level reaches the specified level near filler plug mounting hole.

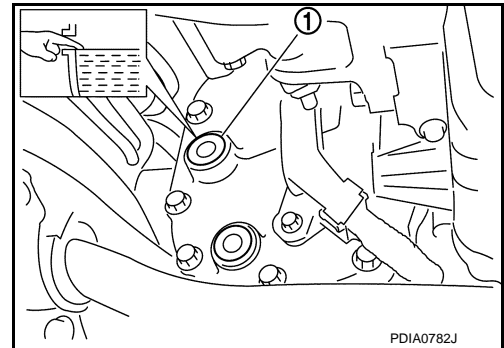
Oil grade and Viscosity : Refer to [MA-10, "Fluids and Lubricants"](#).

Oil capacity : Refer to [DLN-143, "General Specifications"](#).

2. After refilling oil, check oil level. Set a gasket to filler plug (1), then install it to final drive assembly. Refer to [DLN-118, "Exploded View"](#).

CAUTION:

Never reuse gasket.



REAR DIFFERENTIAL GEAR OIL: R200

REAR DIFFERENTIAL GEAR OIL: R200 : Inspection

INFOID:000000002990196

OIL LEAKEGE

- Make sure that oil is not leaking from final drive assembly or around it.

OIL LEVEL

- Remove filler plug (1) and check oil level from filler plug mounting hole as shown in the figure.

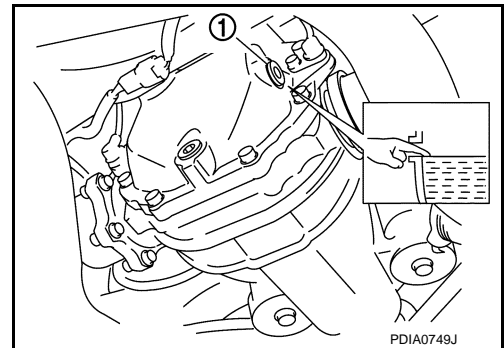
CAUTION:

Never start engine while checking oil level.

- Set a gasket on filler plug (1) and install it on final drive assembly. Refer to [DLN-173, "2WD : Exploded View"](#) (2WD), [DLN-185, "AWD : Exploded View"](#) (AWD).

CAUTION:

Never reuse gasket.



REAR DIFFERENTIAL GEAR OIL: R200 : Draining

INFOID:000000002990197

1. Stop engine.

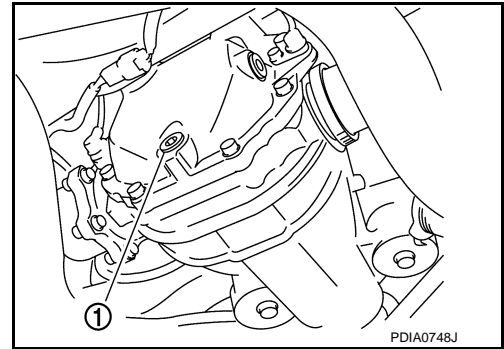
CHASSIS MAINTENANCE

< PERIODIC MAINTENANCE >

2. Remove drain plug (1) and drain gear oil.
3. Set a gasket on drain plug (1) and install it to final drive assembly and tighten to the specified torque. Refer to [DLN-173, "2WD : Exploded View"](#) (2WD), [DLN-185, "AWD : Exploded View"](#) (AWD).

CAUTION:

Never reuse gasket.



PDIA0748J

INFOID:000000002990219

REAR DIFFERENTIAL GEAR OIL: R200 : Refilling

1. Remove filler plug (1). Fill with new gear oil until oil level reaches the specified level near filler plug mounting hole.

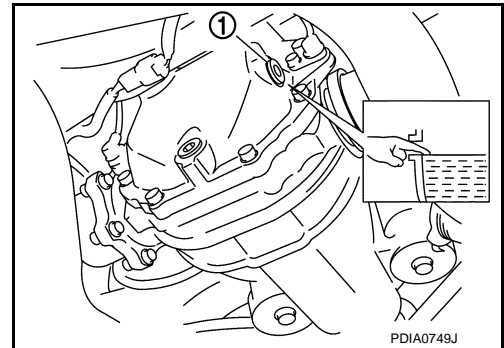
Oil grade and viscosity : Refer to [MA-10, "Fluids and Lubricants"](#).

Oil capacity : Refer to [DLN-215, "General Specification"](#).

2. After refilling oil, check oil level. Set a gasket to filler plug (1), then install it to final drive assembly. Refer to [DLN-173, "2WD : Exploded View"](#) (2WD), [DLN-185, "AWD : Exploded View"](#) (AWD).

CAUTION:

Never reuse gasket.



PDIA0749J

REAR DIFFERENTIAL GEAR OIL: R200V

REAR DIFFERENTIAL GEAR OIL: R200V : Inspection

INFOID:000000002990241

OIL LEAKAGE

- Make sure that oil is not leaking from final drive assembly or around it.

OIL LEVEL

- Remove filler plug (1) and check oil level from filler plug mounting hole as shown in the figure.

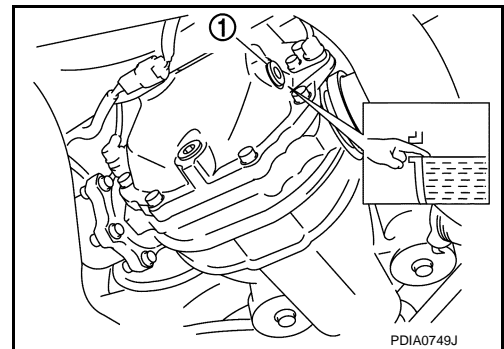
CAUTION:

Never start engine while checking oil level.

- Set a gasket on filler plug (1) and install it on final drive assembly. Refer to [DLN-247, "M/T : Exploded View"](#) (M/T models), [DLN-259, "A/T : Exploded View"](#) (A/T models).

CAUTION:

Never reuse gasket.



PDIA0749J

INFOID:000000002990242

REAR DIFFERENTIAL GEAR OIL: R200V : Draining

1. Stop engine.

MA

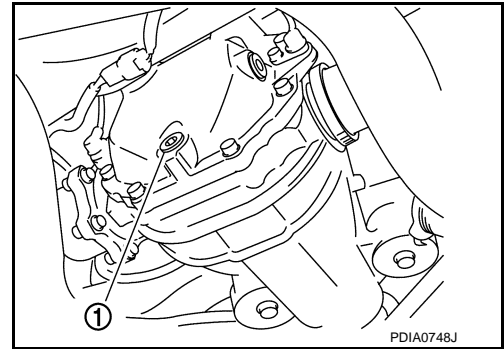
CHASSIS MAINTENANCE

< PERIODIC MAINTENANCE >

2. Remove drain plug (1) and drain gear oil.
3. Set a gasket on drain plug (1) and install it to final drive assembly and tighten to the specified torque. Refer to [DLN-247, "M/T : Exploded View"](#) (M/T models), [DLN-259, "A/T : Exploded View"](#) (A/T models).

CAUTION:

Never reuse gasket.



PDIA0748J

REAR DIFFERENTIAL GEAR OIL: R200V : Refilling

INFOID:000000002990243

1. Remove filler plug (1). Fill with new gear oil until oil level reaches the specified level near filler plug mounting hole.

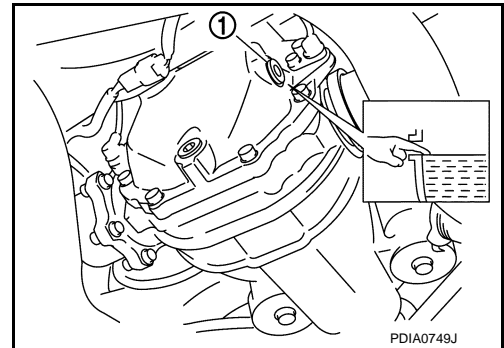
Oil grade and viscosity : Refer to [MA-10, "Fluids and Lubricants"](#).

Oil capacity : Refer to [DLN-288, "General Specification"](#).

2. After refilling oil, check oil level. Set a gasket to filler plug (1), then install it to final drive assembly. Refer to [DLN-247, "M/T : Exploded View"](#) (M/T models), [DLN-259, "A/T : Exploded View"](#) (A/T models).

CAUTION:

Never reuse gasket.



PDIA0749J

WHEELS (BONDING WEIGHT TYPE)

WHEELS (BONDING WEIGHT TYPE) : Adjustment

INFOID:000000002990244

BARANCING WHEELS (BONDING WEIGHT TYPE)

Preparation Before Adjustment

Using releasing agent, remove double-faced adhesive tape from the road wheel.

CAUTION:

- Be careful not scratch the road wheel during removal.
- After removing double-faced adhesive tape, wipe clean traces of releasing agent from the road wheel.

Wheel Balance Adjustment

- If a tire balance machine has adhesion balance weight mode settings and drive-in weight mode setting, select and adjust a drive-in weight mode suitable for road wheels.

1. Set road wheel on tire balance machine using the center hole as a guide. Start the tire balance machine.
2. When inner and outer unbalance values are shown on the tire balance machine indicator, multiply outer unbalance value by 5/3 to determine balance weight that should be used. Select the outer balance weight with a value closest to the calculated value above and install in to the designated outer position of, or at the designated angle in relation to the road wheel.

CAUTION:

- Do not install the inner balance weight before installing the outer balance weight.
- Before installing the balance weight, be sure to clean the mating surface of the road wheel.

CHASSIS MAINTENANCE

< PERIODIC MAINTENANCE >

- a. Indicated un balance value $\times 5/3 =$ balance weight to be installed

Calculation example:

23 g (0.81 oz) $\times 5/3 = 38.33$ g (1.35 oz) $\Rightarrow 37.5$ g (1.32 oz) balance weight (closer to calculated balance weight value)

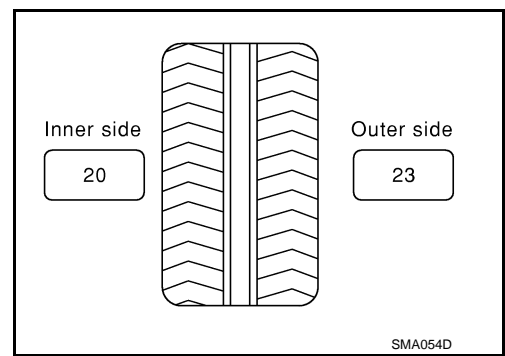
NOTE:

Note that balance weight value must be closer to the calculated balance weight value.

Example:

36.2 $\Rightarrow 35$ g (1.23 oz)

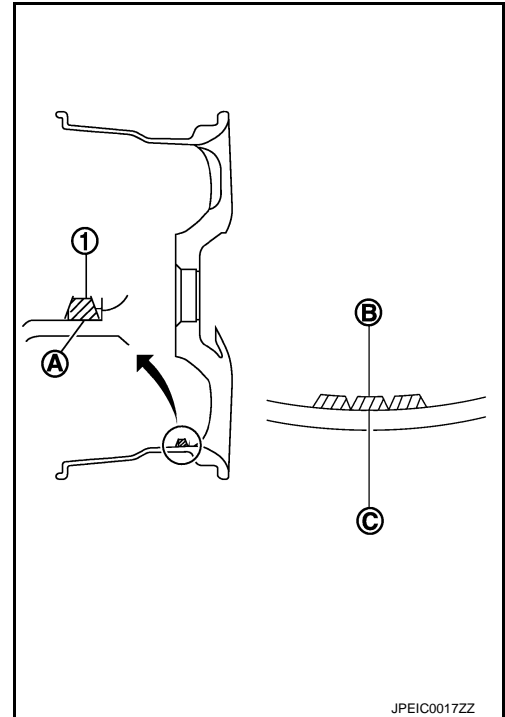
36.3 $\Rightarrow 37.5$ g (1.32 oz)



- b. Installed balance weight in the position.
- When installing balance weight (1) to road wheels, set it into the grooved area (A) on the inner wall of the road wheel as shown in the figure so that the balance weight center (B) is aligned with the tire balance machine indication position (angle)(C).

CAUTION:

- Always use genuine NISSAN adhesion balance weights.
- Balance weights are non-reusable; always replace with new ones.
- Do not install more than three sheets of balance weight.



- c. If calculated balance weight value exceeds 50 g (1.76 oz), install two balance weight sheets in line with each other as shown in the figure.

CAUTION:

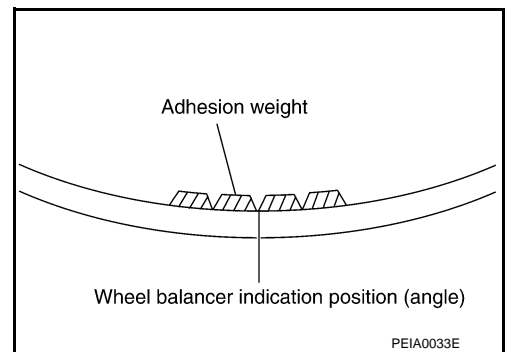
Do not install one balance weight sheet on top another.

- Start tire balance machine again.
- Install drive-in balance weight on inner side of road wheel in the tire balance machine indication position (angle).

CAUTION:

Do not install more than two balance weight.

- Start tire balance machine. Make sure that inner and outer residual unbalance values are 5 g (0.17 oz) each or below.
- If either residual unbalance value exceeds 5 g (0.17 oz), repeat installation procedures.



| Wheel balance | Dynamic (At flange) | Static (At flange) |
|-----------------------------|--|--------------------|
| Maximum allowable unbalance | Refer to WT-98, "Road Wheel" . | |

TIRE ROTATION (for 17 inch wheel models)

A
B
C
D
E
F
G
H
I
J
K
L
M
N
O

MA

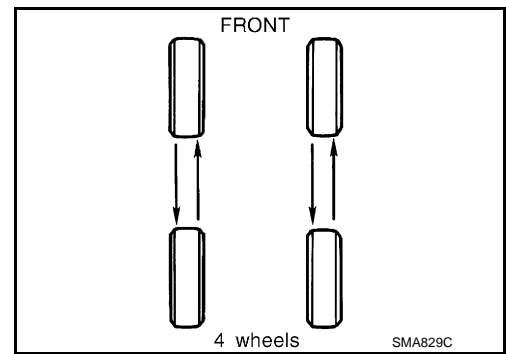
CHASSIS MAINTENANCE

< PERIODIC MAINTENANCE >

- Follow the maintenance schedule for tire rotation service intervals. Refer to [MA-6, "Schedule 1"](#).
- When installing the wheel, tighten wheel nuts to the specified torque.

CAUTION:

- Do not include the T-type spare tire when rotating the tires.
- When installing wheels, tighten them diagonally by dividing the work two to three times in order to prevent the wheels from developing any distortion.
- Be careful not to tighten wheel nut at torque exceeding the criteria for preventing strain of disc rotor.
- Use NISSAN genuine wheel nuts for aluminum wheels.



Wheel nuts tightening torque : Refer to [WT-98, "Road Wheel"](#).

- Perform the ID registration, after tire rotation. Refer to [WT-5, "ID REGISTRATION PROCEDURE : Special Repair Requirement"](#).

TIRE ROTATION (for 18 inch wheel models)

- Tire cannot be rotated in vehicle, as front tire are different size from rear tire and the direction of wheel rotation is fixed in each tire.

Wheel nuts tightening torque : Refer to [WT-98, "Road Wheel"](#).

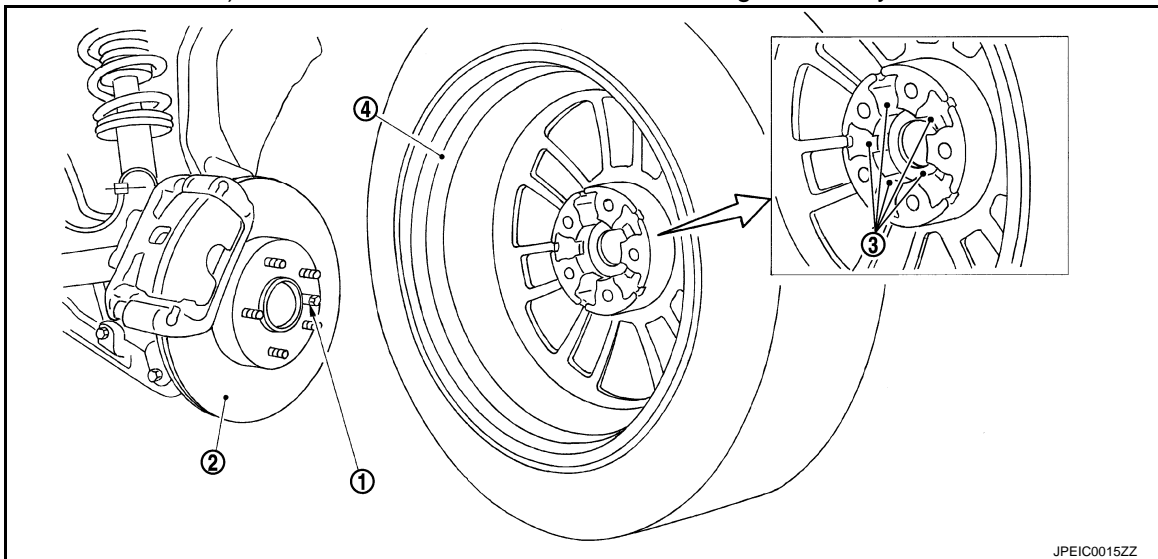
CAUTION:

- Do not include the T-type spare tire when rotating the tires.
- Use NISSAN genuine wheel nuts for aluminum wheels.

Safety Device Preventing from Being Incorrectly installed

FRONT BRAKE DISC ROTOR AND FRONT WHEEL

- Front and rear wheel size for this model differs, therefore special pin (1) has been installed on the front brake disc rotor (2). To accommodate this pin a hole (3) has been provided on the front wheel (4) (the rear wheel does not have this hole.) and in some case the rear wheel is being mistakenly installed on the front.

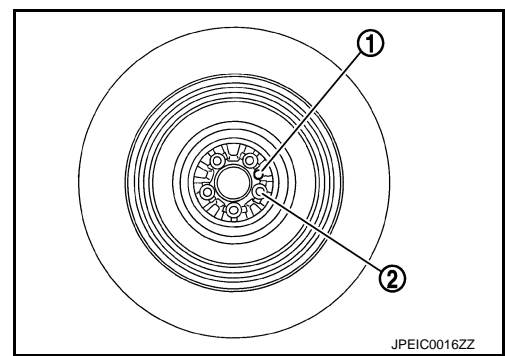


T-TYPE SPARE TIRE WHEEL

CHASSIS MAINTENANCE

< PERIODIC MAINTENANCE >

- Regarding spare tire (for emergency) wheel, wrong assembly protection pin through hole (1) has been set in addition to regular bolt holes (2) in order to enable installation to front wheel.

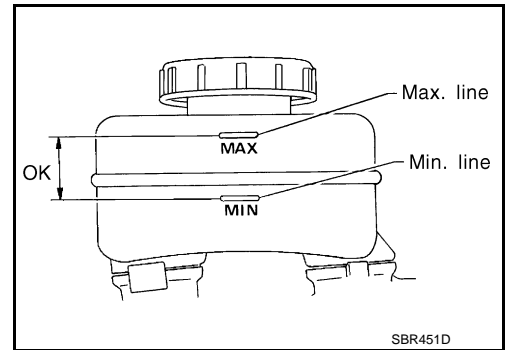


BRAKE FLUID LEVEL AND LEAKS

BRAKE FLUID LEVEL AND LEAKS : Inspection

- If fluid level is extremely low, check brake system for leaks.

INFOID:000000001835286

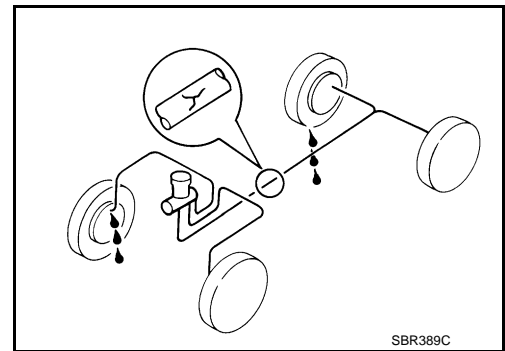


BRAKE LINES AND CABLES

BRAKE LINES AND CABLES : Inspection

- Check brake fluid lines and parking brake cables for improper attachment, leaks, chafing, abrasions, deterioration, etc.

INFOID:000000001835287

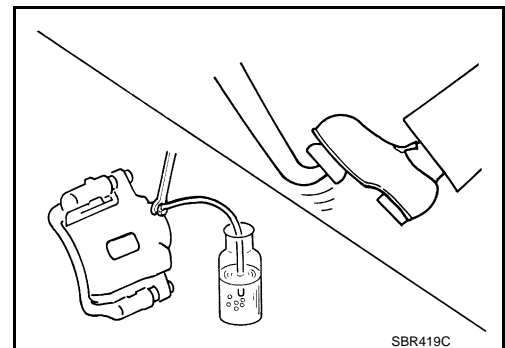


BRAKE FLUID

BRAKE FLUID : Changing

1. Drain brake fluid from each bleed valve.
2. Refill until new brake fluid comes out from each bleed valve. Use same procedure as in bleeding hydraulic system to refill brake fluid.
Refer to [BR-13. "Bleeding Brake System"](#).
 - Refill with recommended Genuine NISSAN Super Heavy Duty Brake Fluid or equivalent DOT 3 (US FMVSS No. 116). Refer to [MA-10. "Fluids and Lubricants"](#).
 - Never reuse drained brake fluid.
 - Be careful not to splash brake fluid on painted areas.

INFOID:000000001835288



DISC BRAKE

A
B
C
D
E
F
G
H
I
J
K
L
M
N
O

MA

CHASSIS MAINTENANCE

< PERIODIC MAINTENANCE >

DISC BRAKE : Inspection

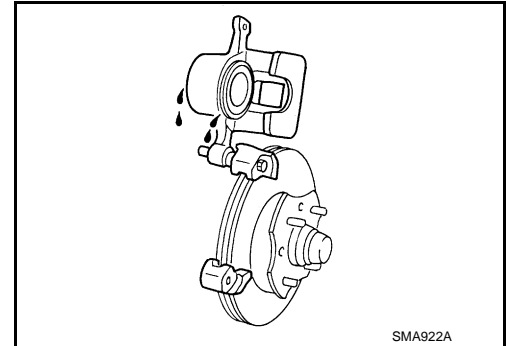
INFOID:000000001835289

DISC ROTOR

Check condition, wear, and damage.

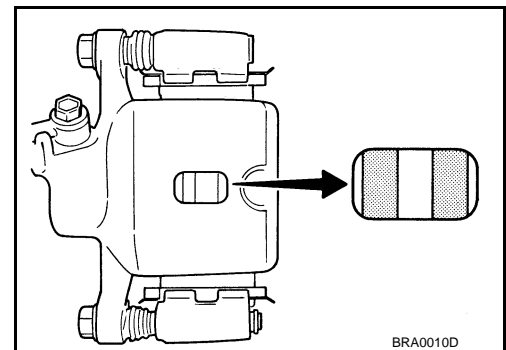
CALIPER

- Check for leakage.



BRAKE PAD

- Check for wear or damage.



DISC BRAKE : Front Disc Brake

INFOID:000000002990245

FRONT CALIPER 1 PISTON TYPE

Unit: mm (in)

| | | |
|------------|--|----------------|
| Brake pad | Standard thickness | 10.3 (0.406) |
| | Wear limit thickness | 2.0 (0.079) |
| Disc rotor | Standard thickness | 32.0 (1.260) |
| | Wear limit thickness | 30.0 (1.181) |
| | Thickness variation (measured at 8 positions) | 0.015 (0.0006) |
| | Runout limit (with it attached to the vehicle) | 0.035 (0.0014) |

FRONT CALIPER 2 PISTON TYPE

Unit: mm (in)

| | | |
|------------|--|----------------|
| Brake pad | Standard thickness | 11.0 (0.433) |
| | Wear limit thickness | 2.0 (0.079) |
| Disc rotor | Standard thickness | 28.0 (1.102) |
| | Wear limit thickness | 26.0 (1.024) |
| | Thickness variation (measured at 8 positions) | 0.015 (0.0006) |
| | Runout limit (with it attached to the vehicle) | 0.035 (0.0014) |

DISC BRAKE : Rear Disc Brake

INFOID:000000002990246

FRONT CALIPER 1 PISTON TYPE

CHASSIS MAINTENANCE

< PERIODIC MAINTENANCE >

Unit: mm (in)

| | | |
|------------|--|----------------|
| Brake pad | Standard thickness | 8.5 (0.335) |
| | Wear limit thickness | 2.0 (0.079) |
| Disc rotor | Standard thickness | 16.0 (0.631) |
| | Wear limit thickness | 15.0 (0.591) |
| | Thickness variation (measured at 8 positions) | 0.015 (0.0006) |
| | Runout limit (with it attached to the vehicle) | 0.055 (0.0022) |

FRONT CALIPER 2 PISTON TYPE

Unit: mm (in)

| | | |
|------------|--|----------------|
| Brake pad | Standard thickness | 8.5 (0.335) |
| | Wear limit thickness | 2.0 (0.079) |
| Disc rotor | Standard thickness | 16.0 (0.631) |
| | Wear limit thickness | 14.0 (0.551) |
| | Thickness variation (measured at 8 positions) | 0.015 (0.0006) |
| | Runout limit (with it attached to the vehicle) | 0.055 (0.0022) |

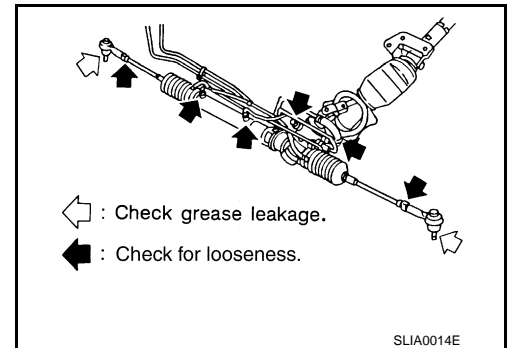
STEERING GEAR AND LINKAGE

STEERING GEAR AND LINKAGE : Inspection

INFOID:000000001835292

STEERING GEAR

- Check gear housing and boots for looseness, damage and grease leakage.
- Check connection with steering column for looseness.



STEERING LINKAGE

Check ball joint, dust cover and other component parts for looseness, wear, damage and grease leakage.

POWER STEERING FLUID AND LINES

POWER STEERING FLUID AND LINES : Inspection

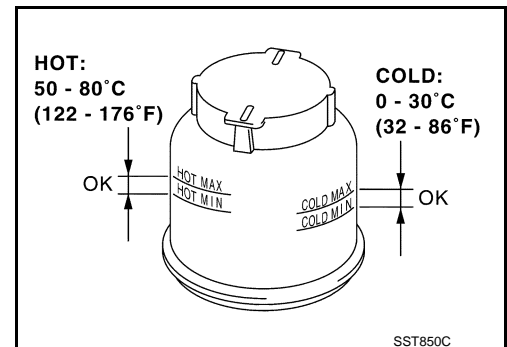
INFOID:000000001835293

Check fluid level in reservoir tank with engine off.

Use "HOT" range at fluid temperatures of 50 to 80°C (122 to 176°F) or "COLD" range at fluid temperatures of 0 to 30°C (32 to 86°F).

CAUTION:

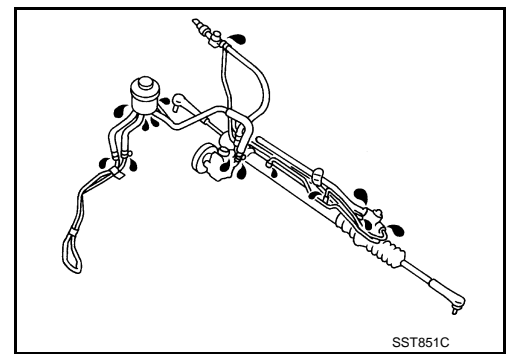
- Do not overfill.
- Recommended fluid is Genuine NISSAN PSF or equivalent. Refer to [MA-10, "Fluids and Lubricants"](#).



CHASSIS MAINTENANCE

< PERIODIC MAINTENANCE >

- Check lines for improper attachment, leaks, cracks, damage, loose connections, chafing and deterioration.
- Check rack boots for accumulation of power steering fluid.



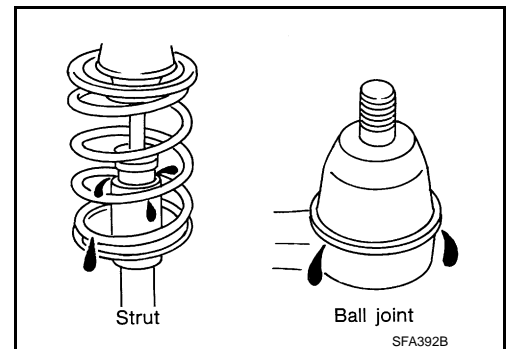
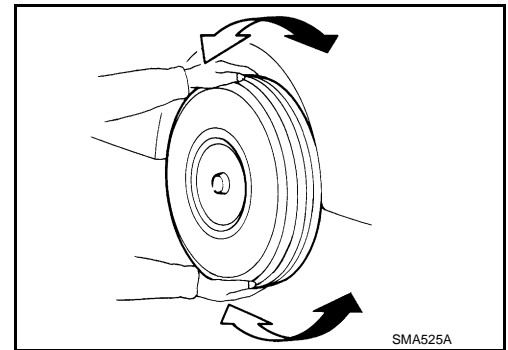
AXLE AND SUSPENSION PARTS

AXLE AND SUSPENSION PARTS : Inspection

INFOID:000000001835294

Check front and rear axle and suspension parts for excessive play, cracks, wear or other damage.

- Shake each wheel to check for excessive play.
- Check wheel bearings for smooth operation.
- Check axle and suspension nuts and bolts for looseness.
- Check strut (shock absorber) for oil leakage or other damage.
- Check suspension ball joint for grease leakage and ball joint dust cover for cracks or other damage.

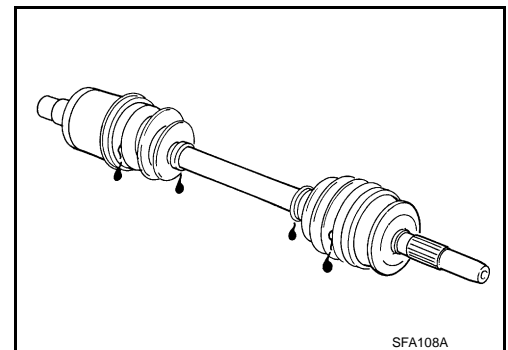


DRIVE SHAFT

DRIVE SHAFT : Inspection

INFOID:000000001835295

Check boot and drive shaft for cracks, wear, damage and grease leakage.



BODY MAINTENANCE

< PERIODIC MAINTENANCE >

BODY MAINTENANCE

LOCKS, HINGES AND HOOD LATCH

LOCKS, HINGES AND HOOD LATCH : Lubricating

INFOID:000000001835296

For hood lock illustration. Refer to [DLK-224, "HOOD ASSEMBLY : Exploded View"](#) and [DLK-227, "HOOD LOCK CONTROL : Exploded View"](#).

For door lock illustration. Refer to [DLK-241, "FRONT DOOR LOCK : Exploded View"](#) and [DLK-244, "REAR DOOR LOCK : Exploded View"](#).

For trunk lid lock illustration. Refer to [DLK-250, "TRUNK LID LOCK : Exploded View"](#).

SEAT BELT, BUCKLES, RETRACTORS, ANCHORS AND ADJUSTERS

SEAT BELT, BUCKLES, RETRACTORS, ANCHORS AND ADJUSTERS : Inspection

INFOID:000000001835297

For front seat belt illustration. Refer to [SB-6, "SEAT BELT RETRACTOR : Exploded View"](#).

For rear seat belt illustration. Refer to [SB-11, "SEAT BELT RETRACTOR : Exploded View"](#).

CAUTION:

- After any collision, inspect all seat belt assemblies, including retractors and other attached hardware (i.e. anchor bolt, guide rail set). Nissan recommends to replace all seat belt assemblies in use during a collision, unless not damaged and properly operating after minor collision.

Also inspect seat belt assemblies not in use during a collision, and replace if damaged or improperly operating.

Seat belt pre-tensioner should be replaced even if the seat belts are not in use during a frontal collision where the driver and passenger air bags are deployed.

- If any component of seat belt assembly is questionable, do not repair.

Replace as seat belt assembly.

- If webbing is cut, frayed, or damaged, replace belt assembly.

- Never oil tongue and buckle.

- Use a genuine NISSAN seat belt assembly.

For details, refer to [SB-4, "SEAT BELT RETRACTOR : Inspection"](#), [SB-9, "SEAT BELT RETRACTOR : Inspection"](#) in SB section.

- Check anchors for loose mounting
- Check belts for damage
- Check retractor for smooth operation
- Check function of buckles and tongues when buckled and released

A
B
C
D
E
F
G
H
I
J
K
L
M
N
O

MA

SERVICE DATA AND SPECIFICATIONS (SDS)

< SERVICE DATA AND SPECIFICATIONS (SDS)

SERVICE DATA AND SPECIFICATIONS (SDS)

SERVICE DATA AND SPECIFICATIONS (SDS)

DRIVE BELT

DRIVE BELT : Drive Belt

INFOID:000000002992952

DRIVE BELT

| | |
|-----------------------|--|
| Tension of drive belt | Belt tension is not necessary, as it is automatically adjusted by drive belt auto-tensioner. |
|-----------------------|--|

ENGINE COOLANT

ENGINE COOLANT : Periodical Maintenance Specification

INFOID:000000002992956

ENGINE COOLANT CAPACITY (APPROXIMATE)

Unit: ℓ (US qt, Imp qt)

| | | | |
|---|---------------------------|------------|--------------------|
| Engine coolant capacity [With reservoir tank ("MAX" level)] | With oil cooler models | A/T models | 9.0 (9-1/2, 7-7/8) |
| | | M/T models | 9.1 (9-5/8, 8) |
| | Without oil cooler models | A/T models | 8.5 (9, 7-1/2) |
| | | M/T models | 8.6 (9-1/8, 7-5/8) |
| Reservoir tank engine coolant capacity (At "MAX" level) | | | 0.8 (7/8, 3/4) |

ENGINE OIL

ENGINE OIL : Periodical Maintenance Specification

INFOID:000000002992997

ENGINE OIL CAPACITY (APPROXIMATE)

Unit: ℓ (US qt, Imp qt)

| | | |
|-----------------------|---------------------------|--------------------|
| Drain and refill | With oil filter change | 4.9 (5-1/8, 4-1/4) |
| | Without oil filter change | 4.6 (4-7/8, 4) |
| Dry engine (Overhaul) | | 5.7 (6, 5) |

SPARK PLUG

SPARK PLUG : Spark Plug

INFOID:000000002992999

SPARK PLUG

Unit: mm (in)

| | |
|---------------|-------------|
| Make | DENSO |
| Standard type | FXE22HR11 |
| Gap (Nominal) | 1.1 (0.043) |

ROAD WHEEL

ROAD WHEEL : Road Wheel

INFOID:000000002993000

| | | |
|-----------------------------|---------------------|-----------------------------|
| Kind of wheel | Aluminum | |
| Maximum radial runout limit | Lateral deflection | Less than 0.3 mm (0.012 in) |
| | Vertical deflection | |

SERVICE DATA AND SPECIFICATIONS (SDS)

< SERVICE DATA AND SPECIFICATIONS (SDS)

| | | |
|-----------------------------------|---------------------|------------------------------------|
| Kind of wheel | | Aluminum |
| Maximum allowable unbalance limit | Dynamic (At flange) | Less than 5 g (0.17 oz) (one side) |
| | Static (At flange) | Less than 10 g (0.35 oz) |
| Wheel nuts tightening torque | | 108 N·m (11 kg-m, 80 ft-lb) |

A

B

C

D

E

F

G

H

I

J

K

L

M

N

O

MA