

SECTION **MIR**
MIRRORS

A
B
C
D
E
F
G
H
I
J
K
M
N
O
P

CONTENTS

WITH ADP	
BASIC INSPECTION	3
DIAGNOSIS AND REPAIR WORKFLOW	3
Work Flow	3
SYSTEM DESCRIPTION	4
DOOR MIRROR SYSTEM	4
System Diagram	4
System Description	4
Component Parts Location	5
Component Description	5
INSIDE MIRROR SYSTEM	6
System Description	6
Component Description	6
DIAGNOSIS SYSTEM (DRIVER SEAT C/U)	7
Diagnosis Description	7
CONSULT-III Function	7
DTC/CIRCUIT DIAGNOSIS	10
MIRROR SWITCH	10
Description	10
Component Function Check	10
Diagnosis Procedure	10
Component Inspection	11
CHANGEOVER SWITCH	13
Description	13
Component Function Check	13
Diagnosis Procedure	13
Component Inspection	14
AUTO ANTI-DAZZLING INSIDE MIRROR SYSTEM	15
Wiring Diagram - INSIDE MIRROR SYSTEM -	15
ECU DIAGNOSIS INFORMATION	17
DRIVER SEAT CONTROL UNIT	17
Reference Value	17
Wiring Diagram - AUTOMATIC DRIVE POSITIONER CONTROL SYSTEM -	22
Fail Safe	26
DTC Index	27
AUTOMATIC DRIVE POSITIONER CONTROL UNIT	28
Reference Value	28
Wiring Diagram - AUTOMATIC DRIVE POSITIONER CONTROL SYSTEM -	32
SYMPTOM DIAGNOSIS	37
DOOR MIRROR DOES NOT OPERATE	37
Diagnosis Procedure	37
SQUEAK AND RATTLE TROUBLE DIAGNOSES	38
Work Flow	38
Inspection Procedure	40
Diagnostic Worksheet	42
PRECAUTION	44
PRECAUTIONS	44
Precaution for Supplemental Restraint System (SRS) "AIR BAG" and "SEAT BELT PRE-TENSIONER"	44
PREPARATION	45
PREPARATION	45
Commercial Service Tools	45
REMOVAL AND INSTALLATION	46
INSIDE MIRROR	46
Exploded View	46
Removal and Installation	46
OUTSIDE MIRROR	47

MIR

DOOR MIRROR ASSEMBLY	47	Work Flow	57
DOOR MIRROR ASSEMBLY : Exploded View	47	Inspection Procedure	59
DOOR MIRROR ASSEMBLY : Removal and Installation	47	Diagnostic Worksheet	61
GLASS MIRROR	48	PRECAUTION	63
GLASS MIRROR : Exploded View	48	PRECAUTIONS	63
GLASS MIRROR : Disassembly and Assembly	48	Precaution for Supplemental Restraint System (SRS) "AIR BAG" and "SEAT BELT PRE-TENSIONER"	63
DOOR MIRROR COVER	49	PREPARATION	64
DOOR MIRROR COVER : Exploded View	49	PREPARATION	64
DOOR MIRROR COVER : Disassembly and Assembly	49	Commercial Service Tools	64
DOOR MIRROR REMOTE CONTROL SWITCH	50	REMOVAL AND INSTALLATION	65
Exploded View	50	INSIDE MIRROR	65
Removal and Installation	50	Exploded View	65
WITHOUT ADP		Removal and Installation	65
SYSTEM DESCRIPTION	51	OUTSIDE MIRROR	66
DOOR MIRROR SYSTEM	51	DOOR MIRROR ASSEMBLY	66
Component Description	51	DOOR MIRROR ASSEMBLY : Exploded View	66
INSIDE MIRROR SYSTEM	52	DOOR MIRROR ASSEMBLY : Removal and Installation	66
System Description	52	GLASS MIRROR	67
Component Description	52	GLASS MIRROR : Exploded View	67
DTC/CIRCUIT DIAGNOSIS	53	GLASS MIRROR : Disassembly and Assembly	67
DOOR MIRROR	53	DOOR MIRROR COVER	68
Wiring Diagram - DOOR MIRROR SYSTEM -	53	DOOR MIRROR COVER : Exploded View	68
AUTO ANTI-DAZZLING INSIDE MIRROR SYSTEM	55	DOOR MIRROR COVER : Disassembly and Assembly	68
Wiring Diagram - INSIDE MIRROR SYSTEM -	55	DOOR MIRROR REMOTE CONTROL SWITCH	69
SYMPTOM DIAGNOSIS	57	Exploded View	69
SQUEAK AND RATTLE TROUBLE DIAGNOSES	57	Removal and Installation	69

BASIC INSPECTION

DIAGNOSIS AND REPAIR WORKFLOW

Work Flow

INFOID:000000002993833

DETAILED FLOW

1.OBTAIN INFORMATION ABOUT SYMPTOM

Interview the customer to obtain the malfunction information (conditions and environment when the malfunction occurred) as much as possible when the customer brings the vehicle in.

>> GO TO 2.

2.CHECK DTC

Perform self-diagnosis for automatic drive positioner (ADP) with CONSULT-III.

Is any DTC detected?

YES >> Refer to [MIR-27, "DTC Index"](#)

NO >> GO TO 3.

3.REPRODUCE THE MALFUNCTION INFORMATION

Check the malfunction on the vehicle that the customer describes.
Inspect the relation of the symptoms and the condition when the symptoms occur.

>> GO TO 4.

4.IDENTIFY THE MALFUNCTIONING SYSTEM WITH "SYMPTOM DIAGNOSIS"

Use "Symptom diagnosis" from the symptom inspection result in step 3. Then identify where to start performing the diagnosis based on possible causes and symptoms.

>> GO TO 5.

5.IDENTIFY MALFUNCTIONING PARTS WITH "COMPONENT DIAGNOSIS"

Perform the diagnosis with "Component diagnosis" of the applicable system.

>> GO TO 6.

6.REPAIR OR REPLACE THE MALFUNCTIONING PARTS

Repair or replace the specified malfunctioning parts.

>> GO TO 7.

7.FINAL CHECK

Check that malfunctions are not reproduced when obtaining the malfunction information from the customer, referring to the symptom inspection result in step 3.

Are all malfunctions corrected?

YES >> INSPECTION END

NO >> GO TO 4.

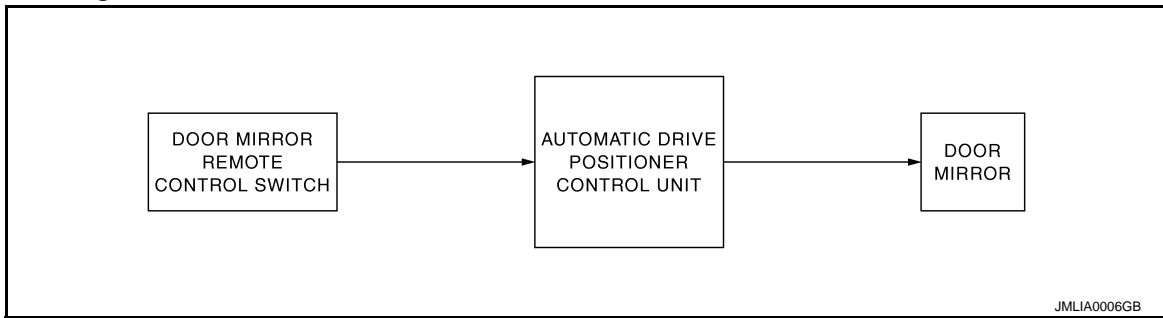
A
B
C
D
E
F
G
H
I
J
K
M
N
O
P

MIR

SYSTEM DESCRIPTION

DOOR MIRROR SYSTEM

System Diagram



System Description

INFOID:000000002993835

Automatic drive positioner linked operation

Door mirror control is included in automatic drive positioner (ADP) system. Refer to automatic drive positioner (ADP) system for more details.

Refer to [ADP-17, "AUTOMATIC DRIVE POSITIONER SYSTEM : System Description"](#).

Manual operation

- Door mirror system is composed of automatic drive positioner (ADP), door mirror remote control switch and door mirror.
- Automatic drive positioner (ADP) control unit controls door mirror.
- Automatic drive positioner (ADP) control unit receives changeover switch signal and perform the LH/RH control of door mirror motor that supplies electric power when changeover switch is operated.
- Automatic drive positioner control unit receives mirror switch signal and supplies electric power to door mirror motor when mirror switch is operated.
- The door mirrors can be operated manually when ignition switch is in either ACC or ON position. The ignition switch signal (ACC/ON) is transmitted from BCM to the driver seat control unit via CAN communication and from the driver seat control unit to the automatic drive positioner control unit via UART communication.

INPUT/OUTPUT SIGNAL CHART

Switch	Input signal to ADP	ADP function	Acuator
Mirror switch	Mirror switch signal	Door mirror motor control	Door mirror motor
Changeover switch	Changeover switch signal		

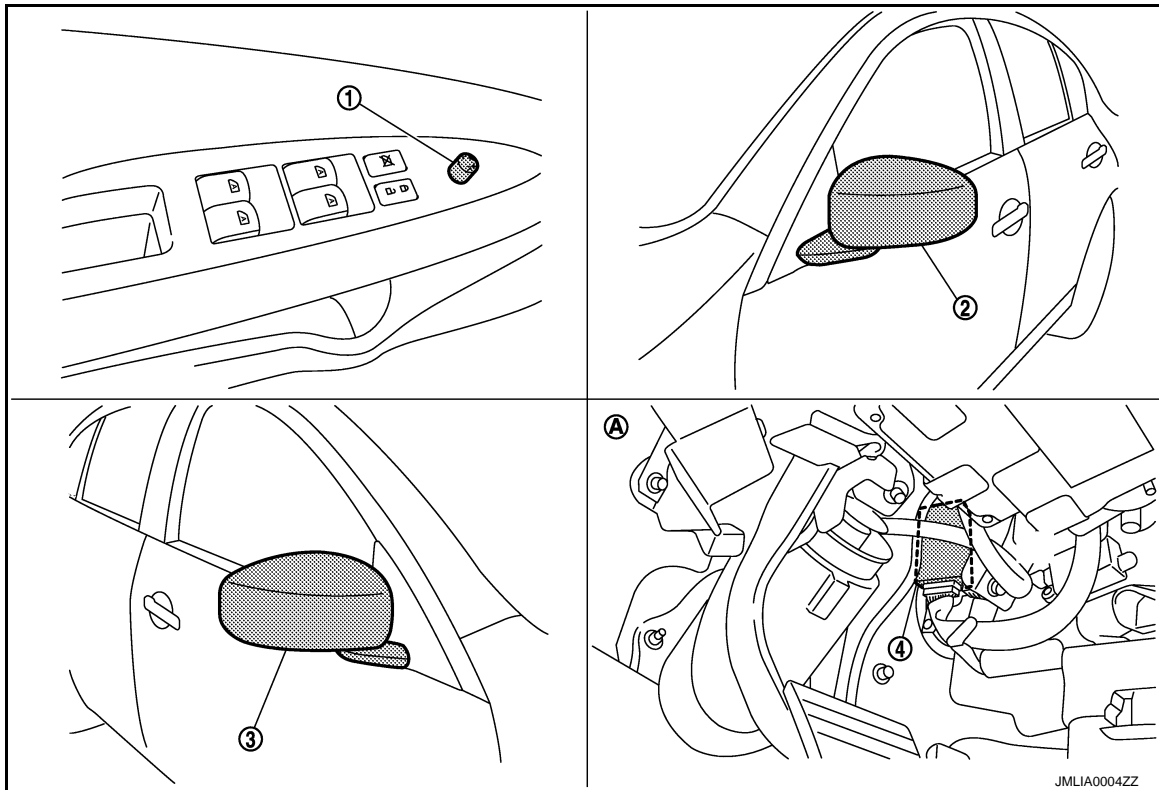
DOOR MIRROR SYSTEM

< SYSTEM DESCRIPTION >

[WITH ADP]

Component Parts Location

INFOID:000000002993836



- 1. Door mirror remote control switch D17
- 2. Door mirror (driver side) D3
- 3. Door mirror (passenger side) D33
- 4. Automatic drive positioner control unit M51, M52
- A. View with instrument driver lower panel removed

Component Description

INFOID:000000002993837

Component	Function
Automatic drive positioner control unit	Door mirror is supplied with power after receiving the input of the MIRROR SWITCH and CHANGEOVER SWITCH.
Mirror switch	It transmits mirror face adjust operation to AUTOMATIC DRIVE POSITIONER CONTROL UNIT.
Changeover switch	It transmits the LH/RH control of door mirror that supplies power to AUTOMATIC DRIVE POSITIONER CONTROL UNIT.
Door mirror	It makes mirror face operate from side to side and up and down via integrated motor.

A
B
C
D
E
F
G
H
I
J
K
L
M
N
O
P

MIR

INSIDE MIRROR SYSTEM

[WITH ADP]

< SYSTEM DESCRIPTION >

INSIDE MIRROR SYSTEM

System Description

INFOID:000000002993838

The sensor built in inside mirror detects the headlight of the vehicle behind and automatically changes the light transmission to decrease the brightness.

Component Description

INFOID:000000002993839

Component	Function
Auto anti-dazzling inside mirror	It automatically changes the light transmittance according to the brightness of the light from the headlight of the vehicle behind.

DIAGNOSIS SYSTEM (DRIVER SEAT C/U)

< SYSTEM DESCRIPTION >

[WITH ADP]

DIAGNOSIS SYSTEM (DRIVER SEAT C/U)

Diagnosis Description

INFOID:000000003034970

The auto drive positioner system can be checked and diagnosed for component operation with CONSULT-III.

DIAGNOSTIC MODE

Diagnostic mode [AUTO DRIVE POS.]	Description
WORK SUPPORT	Changes the setting of each function.
SELF-DIAG RESULTS	Performs self-diagnosis for the auto drive positioner system and displays the results.
DATA MONITOR	Displays input signals transmitted from various switches and sensors to driver seat control unit in real time.
CAN DIAG SUPPORT MNTR	The result of transmit/receive diagnosis of CAN communication can be read.
ACTIVE TEST	Drive each output device.
ECU PART NUMBER	Displays part numbers of driver seat control unit parts.

CONSULT-III Function

INFOID:000000003034971

SELF-DIAGNOSIS RESULTS

Refer to [ADP-152, "DTC Index"](#).

DATA MONITOR

Monitor Item	Unit	Main Signals	Selection From Menu	Contents
SET SW	"ON/OFF"	×	×	ON/OFF status judged from the setting switch signal.
MEMORY SW 1	"ON/OFF"	×	×	ON/OFF status judged from the seat memory switch 1 signal.
MEMORY SW 2	"ON/OFF"	×	×	ON/OFF status judged from the seat memory switch 2 signal.
SLIDE SW-FR	"ON/OFF"	×	×	ON/OFF status judged from the sliding switch (forward) signal.
SLIDE SW-RR	"ON/OFF"	×	×	ON/OFF status judged from the sliding switch (backward) signal.
RECLN SW-FR	"ON/OFF"	×	×	ON/OFF status judged from the reclining switch (forward) signal.
RECLN SW-RR	"ON/OFF"	×	×	ON/OFF status judged from the reclining switch (backward) signal.
LIFT FR SW-UP	"ON/OFF"	×	×	ON/OFF status judged from the lifting switch front (up) signal.
LIFT FR SW-DN	"ON/OFF"	×	×	ON/OFF status judged from the lifting switch front (down) signal.
LIFT RR SW-UP	"ON/OFF"	×	×	ON/OFF status judged from the lifting switch rear (up) signal.
LIFT RR SW-DN	"ON/OFF"	×	×	ON/OFF status judged from the lifting switch rear (down) signal.
MIR CON SW-UP	"ON/OFF"	×	×	ON/OFF status judged from the mirror switch (up) signal.
MIR CON SW-DN	"ON/OFF"	×	×	ON/OFF status judged from the mirror switch (down) signal.
MIR CON SW-RH	"ON/OFF"	×	×	ON/OFF status judged from the door mirror remote control switch (passenger side) signal.
MIR CON SW-LH	"ON/OFF"	×	×	ON/OFF status judged from the door mirror remote control switch (driver side) signal.

DIAGNOSIS SYSTEM (DRIVER SEAT C/U)

< SYSTEM DESCRIPTION >

[WITH ADP]

Monitor Item	Unit	Main Signals	Selection From Menu	Contents
MIR CHNG SW-R	"ON/OFF"	×	×	ON/OFF status judged from the door mirror remote control switch (switching to right) signal.
MIR CHNG SW-L	"ON/OFF"	×	×	ON/OFF status judged from the door mirror remote control switch (switching to left) signal.
TILT SW-UP	"ON/OFF"	×	×	ON/OFF status judged from the tilt switch (up) signal.
TILT SW-DOWN	"ON/OFF"	×	×	ON/OFF status judged from the tilt switch (down) signal.
TELESCO SW-FR	"ON/OFF"	×	×	ON/OFF status judged from the telescoping switch (forward) signal.
TELESCO SW-RR	"ON/OFF"	×	×	ON/OFF status judged from the telescoping switch (backward) signal.
DETENT SW ^{*1}	"ON/OFF"	×	×	The selector lever position "OFF (P position) / ON (other than P position)" judged from the detention switch signal.
PARK BRAKE SW ^{*2}	"ON/OFF"	×	×	The parking brake condition "ON (applied) / OFF (release)" judged from the parking brake switch signal.
STARTER SW	"ON/OFF"	×	×	Ignition key switch ON (START, ON) /OFF (ACC, OFF) status judged from the ignition switch signal.
SLIDE PULSE	—	—	×	Value (32768) when battery connections are standard. If it moves backward, the value increases. If it moves forward, the value decreases.
RECLN PULSE	—	—	×	Value (32768) when battery connections are standard. If it moves backward, the value increases. If it moves forward, the value decreases.
LIFT FR PULSE	—	—	×	Value (32768) when battery connections are standard. If it moves DOWN, the value increases. If it moves UP, the value decreases.
LIFT RR PULSE	—	—	×	Value (32768) when battery connections are standard. If it moves DOWN, the value increases. If it moves UP, the value decreases.
MIR/SEN RH U-D	"V"	—	×	Voltage input from door mirror sensor (passenger side) up/down is displayed.
MIR/SEN RH R-L	"V"	—	×	Voltage input from door mirror sensor (passenger side) left/right is displayed.
MIR/SEN LH U-D	"V"	—	×	Voltage input from door mirror sensor (driver side) up/down is displayed.
MIR/SEN LH R-L	"V"	—	×	Voltage input from door mirror sensor (driver side) left/right is displayed.
TILT SEN	"V"	—	×	Voltage input from tilt sensor is displayed.
TELESCO SEN	"V"	—	×	Voltage input from telescopic sensor is displayed.

*1:Only for AT models.

*2:Only for MT models.

ACTIVE TEST

CAUTION:

When driving vehicle, do not perform active test.

Test item	Description
SEAT SLIDE	Activates/deactivates the sliding motor.
SEAT RECLINING	Activates/deactivates the reclining motor.
SEAT LIFTER FR	Activates/deactivates the lifting motor (front).
SEAT LIFTER RR	Activates/deactivates the lifting motor (rear).
TILT MOTOR	Activates/deactivates the tilt motor.

DIAGNOSIS SYSTEM (DRIVER SEAT C/U)

< SYSTEM DESCRIPTION >

[WITH ADP]

Test item	Description
TELESCO MOTOR	Activates/deactivates the telescopic motor.
MIRROR MOTOR RH	Activates/deactivates the mirror motor (passenger side).
MIRROR MOTOR LH	Activates/deactivates the mirror motor (driver side).
MEMORY SW INDCTR	Turns ON/OFF the memory indicator.

WORK SUPPORT

NOTE:

This mode is only for AT model.

Work item	Content	Item
SEAT SLIDE VOLUME SET	The amount of seat sliding for entry/exit assist can be selected from 3 items.	40 mm
		80 mm
		150 mm
EXIT TILT SETTING	Entry/exit assist (steering column) can be selected: ON (operated) – OFF (not operated)	ON
		OFF
EXIT SEAT SLIDE SETTING	Entry/exit assist (seat) can be selected: ON (operated) – OFF (not operated)	ON
		OFF

A
B
C
D
E
F
G
H
I
J
K
M
N
O
P

MIR

MIRROR SWITCH

< DTC/CIRCUIT DIAGNOSIS >

[WITH ADP]

DTC/CIRCUIT DIAGNOSIS

MIRROR SWITCH

Description

INFOID:000000002993842

It operates angle of the door mirror face.

It transmits mirror face adjust operation to AUTOMATIC DRIVE POSITIONER CONTROL UNIT.

Component Function Check

INFOID:000000002993843

1. CHECK MIRROR SWITCH FUNCTION

Check the operation on "MIR CON SW-UP/DN" and "MIR CON SW-RH/LH" in "DATA MONITOR" mode with CONSULT-III.

Monitor item	Condition
MIR CON SW-UP/DN	When operating the mirror switch toward the up or down side. : ON
	Other than above. : OFF
MIR CON SW-RH/LH	When operating the mirror switch toward the right or left side. : ON
	Other than above. : OFF

Is the inspection result normal?

YES >> Mirror switch function is OK.

NO >> Refer to [MIR-10. "Diagnosis Procedure"](#).

Diagnosis Procedure

INFOID:000000002993844

1. CHECK MIRROR SWITCH INPUT SIGNAL

1. Turn ignition switch OFF.
2. Disconnect door mirror remote control switch connector.
3. Turn ignition switch ON.
4. Check voltage between door mirror remote control switch harness connector and ground.

(+)		(-)	Voltage (V) (Approx.)
Door mirror remote control switch			
Connector	Terminal	Ground	5
D17	4		
	12		
	13		
	15		

Is the inspection result normal?

YES >> GO TO 3.

NO >> GO TO 2.

2. CHECK MIRROR SWITCH CIRCUIT

1. Turn ignition switch OFF.
2. Disconnect automatic drive positioner control unit connector.
3. Check continuity between automatic drive positioner control unit harness connector and door mirror remote control switch harness connector.

MIRROR SWITCH

< DTC/CIRCUIT DIAGNOSIS >

[WITH ADP]

Automatic drive positioner control unit		Door mirror remote control switch		Continuity
Connector	Terminal	Connector	Terminal	
M51	3	D17	15	Existed
	4		13	
	19		12	
	20		4	

4. Check continuity between automatic drive positioner control unit harness connector and ground.

Automatic drive positioner control unit		Ground	Continuity
Connector	Terminal		
M51	3	Ground	Not existed
	4		
	19		
	20		

Is the inspection result normal?

- YES >> Replace automatic drive positioner control unit. Refer to [ADP-226, "Removal and Installation"](#).
 NO >> Repair or replace harness between automatic drive positioner control unit and door mirror remote control switch.

3.CHECK DOOR MIRROR REMOTE CONTROL SWITCH GROUND CIRCUIT

Check continuity between door mirror remote control switch harness connector and ground.

Door mirror remote control switch		Ground	Continuity
Connector	Terminal		
D17	7	Ground	Existed

Is the inspection result normal?

- YES >> GO TO 4.
 NO >> Repair or replace harness between door mirror remote control switch and ground.

4.CHECK MIRROR SWITCH

Check mirror switch.

Refer to [MIR-11, "Component Inspection"](#).

Is the inspection result normal?

- YES >> GO TO 5.
 NO >> Replace door mirror remote control switch. Refer to [MIR-50, "Removal and Installation"](#).

5.CHECK INTERMITTENT INCIDENT

Check intermittent incident.

Refer to [GI-39, "Intermittent Incident"](#).

>> INSPECTION END

Component Inspection

INFOID:000000002993845

1.CHECK MIRROR SWITCH

1. Turn ignition switch OFF.
2. Disconnect door mirror remote control switch.
3. Check door mirror remote control switch.

MIRROR SWITCH

< DTC/CIRCUIT DIAGNOSIS >

[WITH ADP]

Terminal		Mirror switch condition	Continuity
Door mirror remote control switch			
4	7	RIGHT	Existed
		Other than above	Not existed
13		LEFT	Existed
		Other than above	Not existed
15		UP	Existed
		Other than above	Not existed
12		DOWN	Existed
		Other than above	Not existed

Is the inspection result normal?

YES >> INSPECTION END

NO >> Replace door mirror remote control switch. Refer to [MIR-50. "Removal and Installation"](#).

CHANGEOVER SWITCH

[WITH ADP]

< DTC/CIRCUIT DIAGNOSIS >

CHANGEOVER SWITCH

Description

INFOID:000000002993846

Changeover switch is integrated into door mirror remote control switch.
Changeover switch has three positions (L, N and R).
It changes door mirror motor operation by transmitting control signal to automatic drive positioner control unit.

Component Function Check

INFOID:000000002993847

1. CHECK CHANGEOVER SWITCH FUNCTION

Check the operation on "MIR CHNG SW-R" or "MIR CHNG SW-L" in "DATA MONITOR" mode with CONSULT-III.

Monitor item	Condition
MIR CHNG SW-R/L	When operating the changeover toward the right or left side. : ON
	Other than above. : OFF

Is the inspection result normal?

- YES >> Changeover switch function is OK.
NO >> Refer to [MIR-13, "Diagnosis Procedure"](#).

Diagnosis Procedure

INFOID:000000002993848

1. CHECK CHANGEOVER SWITCH INPUT SIGNAL

- Turn ignition switch OFF.
- Disconnect door mirror remote control switch connector.
- Turn ignition switch ON.
- Check voltage between door mirror remote control switch harness connector and ground.

(+)		(-)	Voltage (V) (Approx.)
Connector	Terminal		
D17	10	Ground	5
	11		

Is the inspection result normal?

- YES >> GO TO 3.
NO >> GO TO 2.

2. CHECK CHANGEOVER SWITCH CIRCUIT

- Turn ignition switch OFF.
- Disconnect automatic drive positioner control unit connector.
- Check continuity between automatic drive positioner control unit harness connector and door mirror remote control switch harness connector.

Automatic drive positioner control unit		Door mirror remote control switch		Continuity
Connector	Terminal	Connector	Terminal	
M51	2	D17	11	Existed
	18		10	

- Check continuity between automatic drive positioner control unit harness connector and ground.

Automatic drive positioner control unit		Ground	Continuity
Connector	Terminal		
M51	2		Not existed
	18		

A
B
C
D
E
F
G
H
I
J
K
M
N
O
P

MIR

CHANGEOVER SWITCH

[WITH ADP]

< DTC/CIRCUIT DIAGNOSIS >

Is the inspection result normal?

- YES >> Replace automatic drive positioner control unit. Refer to [ADP-226. "Removal and Installation"](#).
NO >> Repair or replace harness automatic drive positioner control unit and door mirror remote control switch.

3.CHECK DOOR MIRROR REMOTE CONTROL SWITCH GROUND CIRCUIT

Check continuity between door mirror remote control switch harness connector and ground.

Door mirror remote control switch		Ground	Continuity
Connector	Terminal		
D17	7		Existed

Is the inspection result normal?

- YES >> GO TO 4.
NO >> Repair or replace harness door mirror remote control switch and ground.

4.CHECK CHANGEOVER SWITCH

Check changeover switch.

Refer to [MIR-14. "Component Inspection"](#).

Is the inspection result normal?

- YES >> GO TO 5.
NO >> Replace door mirror remote control switch. Refer to [MIR-50. "Removal and Installation"](#).

5.CHECK INTERMITTENT INCIDENT

Check intermittent incident.

Refer to [GI-39. "Intermittent Incident"](#).

>> INSPECTION END

Component Inspection

INFOID:000000002993849

1.CHECK CHANGEOVER SWITCH

1. Turn ignition switch OFF.
2. Disconnect door mirror remote control switch.
3. Check door mirror remote control switch.

Terminal		Change overswitch condition	Continuity
Door mirror remote control switch			
10	7	LEFT	Existed
		Other than above	Not existed
11		RIGHT	Existed
		Other than above	Not existed

Is the inspection result normal?

- YES >> INSPECTION END
NO >> Replace door mirror remote control switch. Refer to [MIR-50. "Removal and Installation"](#).

AUTO ANTI-DAZZLING INSIDE MIRROR SYSTEM

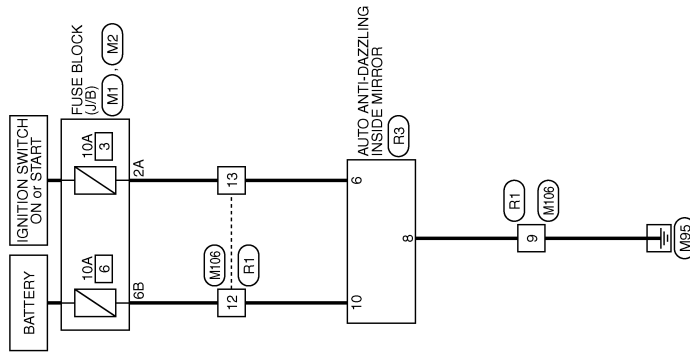
< DTC/CIRCUIT DIAGNOSIS >

[WITH ADP]

AUTO ANTI-DAZZLING INSIDE MIRROR SYSTEM

Wiring Diagram - INSIDE MIRROR SYSTEM -

INFOID:000000002993850



INSIDE MIRROR

A
B
C
D
E
F
G
H
I
J
K
M
N
O
P

MIR

2006/09/15

JCLWA0004GB

AUTO ANTI-DAZZLING INSIDE MIRROR SYSTEM

< DTC/CIRCUIT DIAGNOSIS >

[WITH ADP]

INSIDE MIRROR

Connector No.	M1
Connector Name	FUSE BLOCK (J/B)
Connector Type	NSJ06FW-M2



Terminal No.	Color of Wire	Signal Name [Specification]
2A	G	-

Connector No.	M2
Connector Name	FUSE BLOCK (J/B)
Connector Type	NSJ06FW-CS



Terminal No.	Color of Wire	Signal Name [Specification]
6B	Y	-

Connector No.	M106
Connector Name	WIRE TO WIRE
Connector Type	TK10MW-NSJ



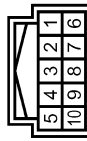
Terminal No.	Color of Wire	Signal Name [Specification]
9	B	-
12	Y	-
13	P	-

Connector No.	R1
Connector Name	WIRE TO WIRE
Connector Type	TK10FW-NSJ



Terminal No.	Color of Wire	Signal Name [Specification]
9	B	-
12	G	-
13	BR	-

Connector No.	R3
Connector Name	AUTO ANTI-DAZZLING INSIDE MIRROR
Connector Type	THJ0FB-NH



Terminal No.	Color of Wire	Signal Name [Specification]
6	BR	IGN
8	B	GND
10	G	BAT

JCLWA0797GB

DRIVER SEAT CONTROL UNIT

< ECU DIAGNOSIS INFORMATION >

[WITH ADP]

ECU DIAGNOSIS INFORMATION

DRIVER SEAT CONTROL UNIT

Reference Value

INFOID:000000003034974

VALUES ON THE DIAGNOSIS TOOL

CONSULT-III MONITOR ITEM

Monitor Item	Condition	Value/Status	
SET SW	Set switch	Push	ON
		Release	OFF
MEMORY SW1	Memory switch 1	Push	ON
		Release	OFF
MEMORY SW2	Memory switch 2	Push	ON
		Release	OFF
SLIDE SW-FR	Sliding switch (front)	Operate	ON
		Release	OFF
SLIDE SW-RR	Sliding switch (rear)	Operate	ON
		Release	OFF
RECLN SW-FR	Reclining switch (front)	Operate	ON
		Release	OFF
RECLN SW-RR	Reclining switch (rear)	Operate	ON
		Release	OFF
LIFT FR SW-UP	Lifting switch front (up)	Operate	ON
		Release	OFF
LIFT FR SW-DN	Lifting switch front (down)	Operate	ON
		Release	OFF
LIFT RR SW-UP	Lifting switch rear (up)	Operate	ON
		Release	OFF
LIFT RR SW-DN	Lifting switch rear (down)	Operate	ON
		Release	OFF
MIR CON SW-UP	Mirror switch	Up	ON
		Other than above	OFF
MIR CON SW-DN	Mirror switch	Down	ON
		Other than above	OFF
MIR CON SW-RH	Mirror switch	Right	ON
		Other than above	OFF
MIR CON SW-LH	Mirror switch	Left	ON
		Other than above	OFF
MIR CHNG SW-R	Changeover switch	Right	ON
		Other than above	OFF
MIR CHNG SW-L	Changeover switch	Left	ON
		Other than above	OFF
TILT SW-UP	Tilt switch	Up	ON
		Other than above	OFF
TILT SW-DOWN	Tilt switch	Down	ON
		Other than above	OFF

A

B

C

D

E

F

G

H

I

J

K

MIR

M

N

O

P

DRIVER SEAT CONTROL UNIT

< ECU DIAGNOSIS INFORMATION >

[WITH ADP]

Monitor Item	Condition		Value/Status
TELESCO SW-FR	Telescopic switch	Forward	ON
		Other than above	OFF
TELESCO SW-RR	Tilt switch	Backward	ON
		Other than above	OFF
DETENT SW ^{*1}	AT selector lever	P position	OFF
		Other than above	ON
PARK BRAKE SW ^{*2}	Parking brake	Applied	ON
		Release	OFF
STARTER SW	Ignition position	Cranking	ON
		Other than above	OFF
SLIDE PULSE	Seat sliding	Forward	The numeral value decreases ^{*3}
		Backward	The numeral value increases ^{*3}
		Other than above	No change to numeral value ^{*3}
RECLN PULSE	Seat reclining	Forward	The numeral value decreases ^{*3}
		Backward	The numeral value increases ^{*3}
		Other than above	No change to numeral value ^{*3}
LIFT FR PULSE	Seat lifter (front)	Up	The numeral value decreases ^{*3}
		Down	The numeral value increases ^{*3}
		Other than above	No change to numeral value ^{*3}
LIFT RR PULSE	Seat lifter (rear)	Up	The numeral value decreases ^{*3}
		Down	The numeral value increases ^{*3}
		Other than above	No change to numeral value ^{*3}
MIR/SEN RH U-D	Door mirror (passenger side)		Change between 3.4 (close to peak) 0.6 (close to valley)
MIR/SEN RH R-L	Door mirror (passenger side)		Change between 3.4 (close to left edge) 0.6 (close to right edge)
MIR/SEN LH U-D	Door mirror (driver side)		Change between 3.4 (close to peak) 0.6 (close to valley)
MIR/SEN LH R-L	Door mirror (driver side)		Change between 0.6 (close to left edge) 3.4 (close to right edge)
TILT SEN	Tilt position		Change between 1.2 (close to top) 3.4 (close to bottom)
TELESCO SEN	Telescopic position		Change between 3.4 (close to top) 0.8 (close to bottom)

*1: Only for AT model

*2: Only for MT model

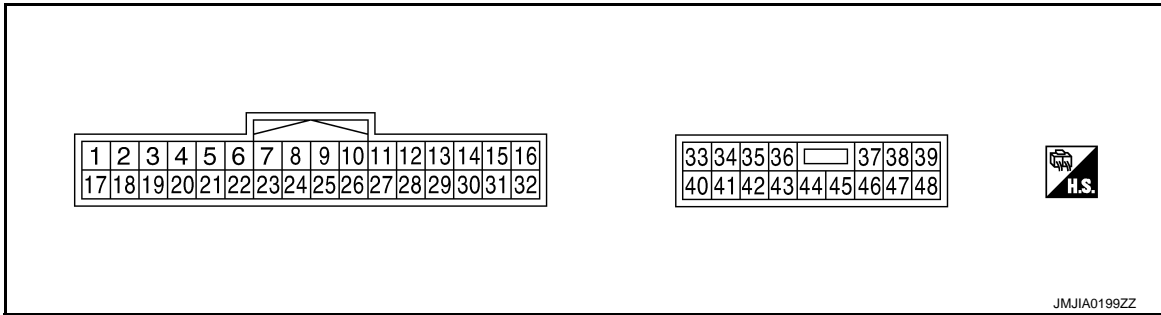
*3: The value at the position attained when the battery is connected is regarded as 32768.

DRIVER SEAT CONTROL UNIT

< ECU DIAGNOSIS INFORMATION >

[WITH ADP]

TERMINAL LAYOUT



PHYSICAL VALUES

Terminal No.		Wire color	Description		Condition	Voltage (V) (Approx)
+	-		Signal name	Input/ Output		
1	Ground	L/W	UART communication (RX)	Input	Ignition switch ON	
3	—	R/Y	CAN-H	—	—	—
8*1	Ground	LG	Parking brake switch signal	Input	Parking brake	Applied: 0
					Release	Battery voltage
9	Ground	W/G	Reclining sensor signal	Input	Seat reclining	Operate:
					Stop	0 or 5
10	Ground	P/B	Lifting sensor (rear) signal	Input	Seat lifting (rear)	Operate:
					Stop	0 or 5
11	Ground	BR	Sliding switch backward signal	Input	Sliding switch	Operate (backward): 0
					Release	Battery voltage
12	Ground	SB	Reclining switch backward signal	Input	Reclining switch	Operate (backward): 0
					Release	Battery voltage

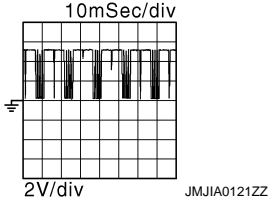
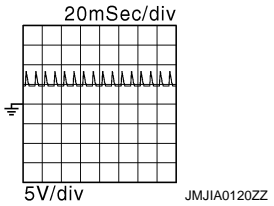
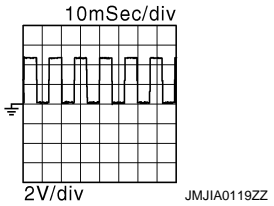
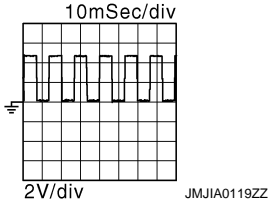
A
B
C
D
E
F
G
H
I
J
K
L
M
N
O
P

MIR

DRIVER SEAT CONTROL UNIT

< ECU DIAGNOSIS INFORMATION >

[WITH ADP]

Terminal No.		Wire color	Description		Condition		Voltage (V) (Approx)
+	-		Signal name	Input/Output			
13	Ground	LG/R	Lifting switch (front) down signal	Input	Lifting switch (front)	Operate (down)	0
						Release	Battery voltage
14	Ground	GB	Lifting switch (rear) down signal	Input	Lifting switch (rear)	Operate (down)	0
						Release	Battery voltage
16	Ground	O	Sensor power supply	Output	—		5
17	Ground	Y/R	UART communication (TX)	Output	Ignition switch ON		
19	—	V	CAN-L	—	—		—
21*2	Ground	L/Y	Detention switch	Input	A/T selector lever	P position	0
						Except P position	
24	Ground	R	Sliding sensor signal	Input	Seat sliding	Operate	
						Stop	0 or 5
25	Ground	Y/B	Lifting sensor (front) signal	Input	Seat lifting (front)	Operate	
						Stop	0 or 5
26	Ground	Y	Sliding switch forward signal	Input	Sliding switch	Operate (forward)	0
						Release	Battery voltage
27	Ground	R/G	Reclining switch forward signal	Input	Reclining switch	Operate (forward)	0
						Release	Battery voltage
28	Ground	W/B	Lifting switch (front) up signal	Input	Seat lifting switch (front)	Operate (up)	0
						Release	Battery voltage

DRIVER SEAT CONTROL UNIT

< ECU DIAGNOSIS INFORMATION >

[WITH ADP]

Terminal No.		Wire color	Description		Condition		Voltage (V) (Approx)
+	-		Signal name	Input/ Output			
29	Ground	P/L	Lifting switch (rear) up signal	Input	Seat lifting switch (rear)	Operate (up)	0
						Release	Battery voltage
31	Ground	GR	Sensor ground	—	—	—	0
32	Ground	B/W	Ground (signal)	—	—	—	0
33	Ground	R	Power source (C/B)	Input	—	—	Battery voltage
35	Ground	W/R	Sliding motor forward output signal	Output	Seat sliding	Operate (forward)	Battery voltage
						Release	0
36	Ground	G/Y	Reclining motor forward output signal	Output	Seat reclining	Operate (forward)	Battery voltage
						Release	0
37	Ground	G/W	Lifting motor (front) down output signal	Output	Seat lifting (front)	Operate (down)	Battery voltage
						Stop	0
38	Ground	L/Y	Lifting motor (rear) up output signal	Output	Seat lifting (rear)	Operate (up)	Battery voltage
						Stop	0
39	Ground	R/B	Lifting motor (rear) down output signal	Output	Seat lifting (rear)	Operate (down)	Battery voltage
						Stop	0
40	Ground	R/W	Power source (Fuse)	Input	—	—	Battery voltage
42	Ground	W/B	Sliding motor backward output signal	Output	Seat sliding	Operate (backward)	Battery voltage
						Stop	0
44	Ground	P	Reclining motor backward output signal	Output	Seat reclining	Operate (backward)	Battery voltage
						Stop	0
45	Ground	L/R	Lifting motor (front) up output signal	Output	Seat lifting (front)	Operate (up)	Battery voltage
						Stop	0
48	Ground	B	Ground (power)	—	—	—	0

*1: Only for MT models

*2: Only for AT models

A
B
C
D
E
F
G
H
I
J
K
M
N
O
P

MIR

DRIVER SEAT CONTROL UNIT

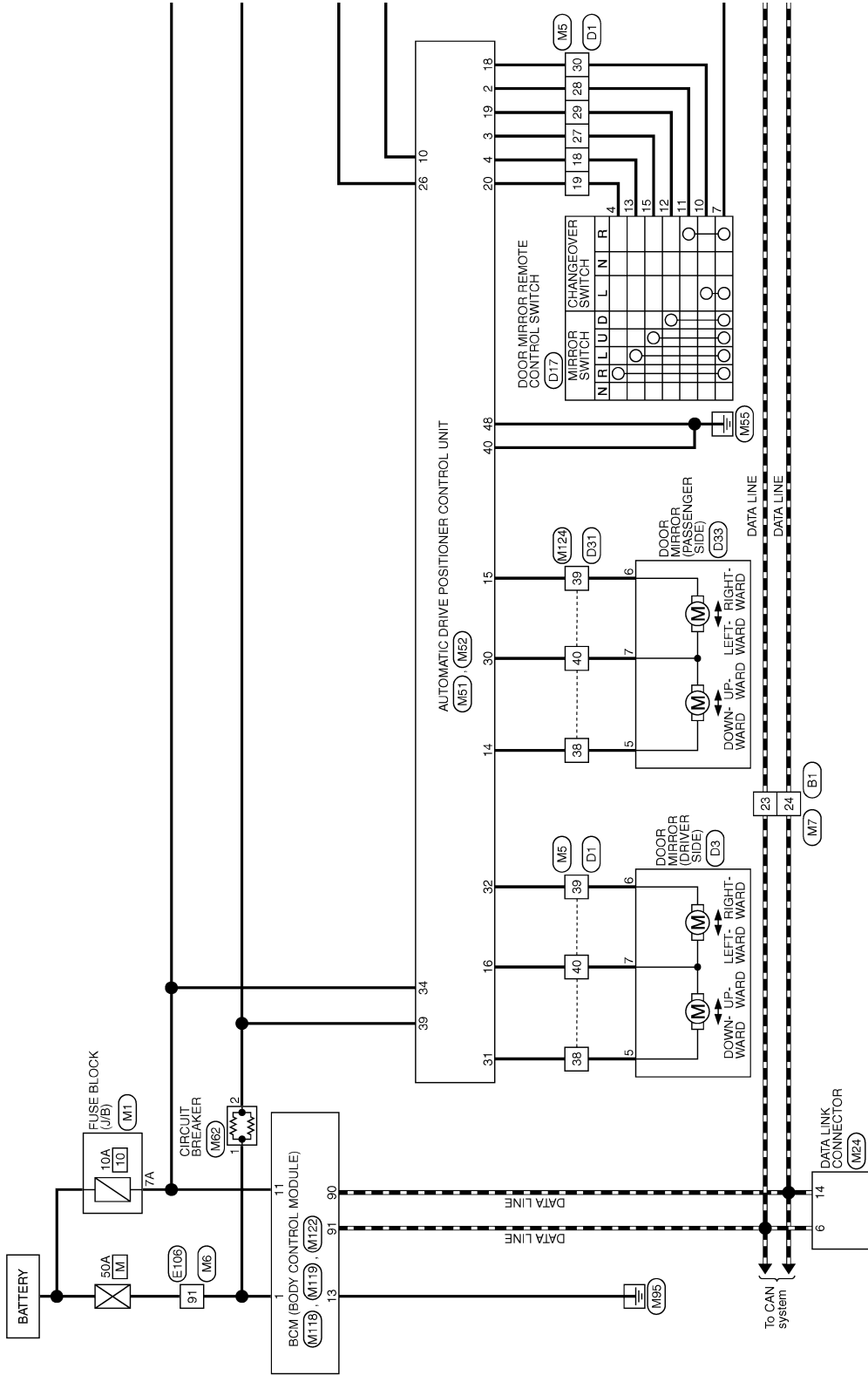
[WITH ADP]

< ECU DIAGNOSIS INFORMATION >

Wiring Diagram - AUTOMATIC DRIVE POSITIONER CONTROL SYSTEM -

INFOID:000000002993852

DOOR MIRROR (WITH AUTOMATIC DRIVE POSITIONER)



JCLWA0790GB

2007/06/15

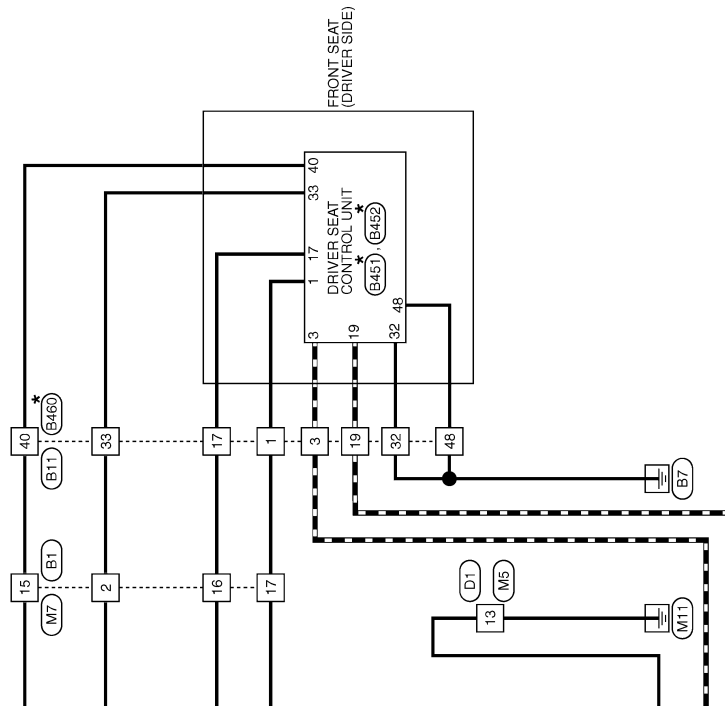
DRIVER SEAT CONTROL UNIT

< ECU DIAGNOSIS INFORMATION >

[WITH ADP]

A
B
C
D
E
F
G
H
I
J
K
M
N
O
P

*: This connector is not shown in "Harness Layout".



JCLWA0791GB

MIR

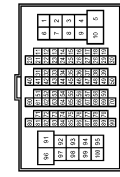
DRIVER SEAT CONTROL UNIT

< ECU DIAGNOSIS INFORMATION >

[WITH ADP]

DOOR MIRROR (WITH AUTOMATIC DRIVE POSITIONER)

Connector No.	B1
Connector Name	WIRE TO WIRE
Connector Type	TH8DFW-CS16-TM4



Terminal No.	Color of Wire	Signal Name [Specification]
2	SB	-
15	BR	-
16	LG	-
17	G	-
23	L	-
24	P	-

Connector No.	B11
Connector Name	WIRE TO WIRE
Connector Type	NS16FW-CS



Terminal No.	Color of Wire	Signal Name [Specification]
1	G	-
3	L	-
17	LG	-
19	P	-
32	B	-
33	SB	-
40	BR	-
48	B	-

Connector No.	B451
Connector Name	DRIVER SEAT CONTROL UNIT
Connector Type	TH82FW



Terminal No.	Color of Wire	Signal Name [Specification]
1	L/W	RX
3	R/Y	GAN-H
17	Y/R	TX
19	V	GAN-L
32	B/W	GND(SIGNAL)

Connector No.	B452
Connector Name	DRIVER SEAT CONTROL UNIT
Connector Type	NS16FW-CS



Terminal No.	Color of Wire	Signal Name [Specification]
33	R	BAT(G/B)
40	R/W	BAT(FUSE)
48	B	GND(POWER)

Connector No.	B460
Connector Name	WIRE TO WIRE (WITH AUTOMATIC DRIVE POSITIONER)
Connector Type	NS18MW-CS



Terminal No.	Color of Wire	Signal Name [Specification]
1	L/W	-
3	R/Y	-
17	Y/R	-
19	V	-
32	B/W	-
33	R	-
40	R/W	-
48	B	-

Connector No.	D1
Connector Name	WIRE TO WIRE
Connector Type	TH4DFW-CS15



Terminal No.	Color of Wire	Signal Name [Specification]
13	B	-
18	W	-
19	BR	-
27	Y	-
28	LG	-
29	G	-
30	GR	-
38	O	-
39	GR	-
40	G	-

Connector No.	D3
Connector Name	DOOR MIRROR (DRIVER SIDE)
Connector Type	TH12MW-MH



Terminal No.	Color of Wire	Signal Name [Specification]
5	O	- [With automatic drive positioner]
6	GR	- [With automatic drive positioner]
7	G	- [With automatic drive positioner]

Connector No.	D17
Connector Name	DOOR MIRROR REMOTE CONTROL SWITCH (WITH AUTOMATIC DRIVE POSITIONER)
Connector Type	TK15PB



Terminal No.	Color of Wire	Signal Name [Specification]
4	BR	-
7	B	-
10	GR	-
11	LG	-
12	G	-
13	W	-
15	Y	-

JCLWA0792GB

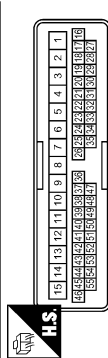
DRIVER SEAT CONTROL UNIT

< ECU DIAGNOSIS INFORMATION >

[WITH ADP]

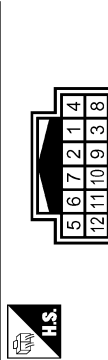
DOOR MIRROR (WITH AUTOMATIC DRIVE POSITIONER)

Connector No.	D31
Connector Name	WIRE TO WIRE
Connector Type	TH40FW-CS15



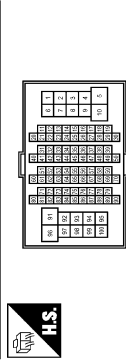
Terminal No. of Wire	Color of Wire	Signal Name [Specification]
38	W	- [With A/T]
38	O	- [With M/T]
39	G	- [With A/T]
39	GR	- [With M/T]
40	Y	- [With A/T]
40	G	- [With M/T]

Connector No.	D33
Connector Name	DOOR MIRROR (PASSENGER SIDE)
Connector Type	TH12MW-NH



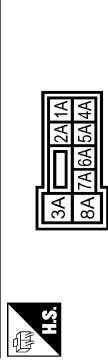
Terminal No. of Wire	Color of Wire	Signal Name [Specification]
5	W	- [With automatic drive positioner]
6	G	- [With automatic drive positioner]
7	Y	- [With automatic drive positioner]

Connector No.	E106
Connector Name	WIRE TO WIRE
Connector Type	TH80FW-CS16-TM4



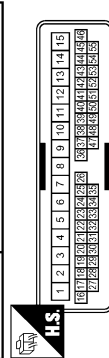
Terminal No. of Wire	Color of Wire	Signal Name [Specification]
91	W	-

Connector No.	M1
Connector Name	FUSE BLOCK (J/B)
Connector Type	NS06FW-M2



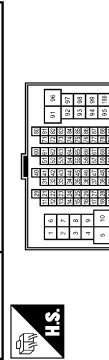
Terminal No. of Wire	Color of Wire	Signal Name [Specification]
7A	R	-

Connector No.	M5
Connector Name	WIRE TO WIRE
Connector Type	TH40MW-CS15



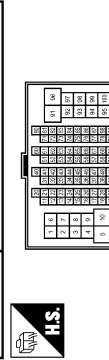
Terminal No. of Wire	Color of Wire	Signal Name [Specification]
13	B	-
18	V	-
19	BR	-
27	G	-
28	LG	-
29	SB	-
30	P	-
38	G	-
38	L	-
40	Y	-

Connector No.	M6
Connector Name	WIRE TO WIRE
Connector Type	TH60MW-CS16-TM4



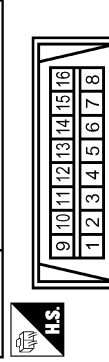
Terminal No. of Wire	Color of Wire	Signal Name [Specification]
91	W	-

Connector No.	M7
Connector Name	WIRE TO WIRE
Connector Type	TH60MW-CS16-TM4



Terminal No. of Wire	Color of Wire	Signal Name [Specification]
2	SD	- [With automatic drive positioner]
15	BR	-
16	P	-
17	V	-
23	L	-
24	P	-

Connector No.	M24
Connector Name	DATA LINK CONNECTOR
Connector Type	BD16FW



Terminal No. of Wire	Color of Wire	Signal Name [Specification]
6	L	-
14	P	-

JCLWA0793GB

A
B
C
D
E
F
G
H
I
J
K
L
M
N
O
P

MIR

DRIVER SEAT CONTROL UNIT

< ECU DIAGNOSIS INFORMATION >

[WITH ADP]

DOOR MIRROR (WITH AUTOMATIC DRIVE POSITIONER)

Connector No.	M51
Connector Name	AUTOMATIC DRIVE POSITIONER CONTROL UNIT
Connector Type	TH22FW-NH



1	2	3	4	5	6	7	8	9	10	11	12	13	14	15	16	17	18	19	20	21	22	23	24	25	26	27	28	29	30	31	32
---	---	---	---	---	---	---	---	---	----	----	----	----	----	----	----	----	----	----	----	----	----	----	----	----	----	----	----	----	----	----	----

Terminal No.	Color of Wire	Signal Name [Specification]
2	LG	MIRROR SELECT SW (RH)
3	G	MIRROR SW (UPWARD)
4	V	MIRROR SW (LEFTWARD)
10	V	TX (UART)
14	W	MIRROR MOTOR (RH VERTICAL)
15	O	MIRROR MOTOR (RH HORIZONTAL)
16	Y	MIRROR MOTOR (LH COMMON)
18	P	MIRROR SELECT SW (LH)
19	SB	MIRROR SW (DOWNWARD)
20	BR	MIRROR SW (RIGHTWARD)
26	P	RX (UART)



1	2	3
---	---	---

Connector No.	M118
Connector Name	BCM (BODY CONTROL MODULE)
Connector Type	M03PE-LC

Terminal No.	1	W	Signal Name [Specification]	BAT (F/L)
--------------	---	---	-----------------------------	-----------

30	SB	MIRROR MOTOR (RH COMMON)
31	G	MIRROR MOTOR (LH VERTICAL)
32	L	MIRROR MOTOR (LH HORIZONTAL)



33	34	35	36	37	38	39		
40	41	42	43	44	45	46	47	48

Terminal No.	Color of Wire	Signal Name [Specification]
34	V	BAT (FUSE)
39	W	BAT (G/B)
40	B	GND(SIGNAL)
48	B	GND(POWER)

Connector No.	M119
Connector Name	BCM (BODY CONTROL MODULE)
Connector Type	NS16FW-CS



4	5	6	7	8	9	10		
11	12	13	14	15	16	17	18	19

Terminal No.	11	R	Signal Name [Specification]	BAT (FUSE)
	13	B		GND

Connector No.	M32
Connector Name	AUTOMATIC DRIVE POSITIONER CONTROL UNIT
Connector Type	NS16FW-CS



33	34	35	36	37	38	39		
40	41	42	43	44	45	46	47	48

Terminal No.	Color of Wire	Signal Name [Specification]
34	V	BAT (FUSE)
39	W	BAT (G/B)
40	B	GND(SIGNAL)
48	B	GND(POWER)

Connector No.	M122
Connector Name	BCM (BODY CONTROL MODULE)
Connector Type	TH40FB-NH



6	7	8	9	10	11	12	13	14	15
16	17	18	19	20	21	22	23	24	25
26	27	28	29	30	31	32	33	34	35
36	37	38	39	40	41	42	43	44	45
46	47	48	49	50	51	52	53	54	55

Terminal No.	90	P	Signal Name [Specification]	CAN-L
	91	L		CAN-H

Connector No.	M62
Connector Name	CIRCUIT BREAKER
Connector Type	M02FW-P-LC



1	2
---	---

Terminal No.	Color of Wire	Signal Name [Specification]
1	W	
2	SB	- [With automatic drive positioner]

Connector No.	M124
Connector Name	WIRE TO WIRE
Connector Type	TH40MP-CS15



1	2	3	4	5	6	7	8	9	10	11	12	13	14	15
16	17	18	19	20	21	22	23	24	25	26	27	28	29	30
31	32	33	34	35	36	37	38	39	40	41	42	43	44	45
46	47	48	49	50	51	52	53	54	55	56	57	58	59	60

Terminal No.	38	W	Signal Name [Specification]	
	39	O		
	40	SB		

Fail Safe

The fail-safe mode may be activated if the following symptoms are observed.

JCLWA0794GB

INFOID:000000003034975

DRIVER SEAT CONTROL UNIT

< ECU DIAGNOSIS INFORMATION >

[WITH ADP]

Operating in fail-safe mode	Malfunction Item	Related DTC	Diagnosis
Only manual functions operate normally.	CAN communication	U1000	ADP-52
	Tilt sensor	B2118	ADP-55
	Telescopic sensor	B2119	ADP-58
	Detent switch	B2126	ADP-61
	Parking brake switch	B2127	ADP-63
Only manual functions, except door mirror, operate normally.	UART communication	B2128	ADP-65
Only manual functions, except seat sliding, operate normally.	Seat sliding output	B2112	ADP-53
Only manual functions, except seat reclining, operate normally.	Seat reclining output	B2113	ADP-54

DTC Index

INFOID:000000003034976

CONSULT-III display	Timing*1		Item	Reference page
	Current malfunction	Previous malfunction		
CAN COMM CIRCUIT [U1000]	0	1-39	CAN communication	ADP-52
SEAT SLIDE [B2112]	0	1-39	Seat slide motor output	ADP-53
SEAT RECLINING [B2113]	0	1-39	Seat reclining motor output	ADP-54
TILT SENSOR [B2118]	0	1-39	Tilt sensor input	ADP-55
TELESCO SENSOR [B2119]	0	1-39	Telescopic sensor input	ADP-58
DETENT SW [B2126]	0	1-39	Detention switch condition	ADP-61
PARKING BRAKE [B2127]	0	1-39	Parking brake switch condition	ADP-63
UART COMM [B2128]	0	1-39	UART communication	ADP-65

*1:

- 0: Current malfunction is present
- 1-39: Displayed if any previous malfunction is present when current condition is normal. The numeral value increases by one at each IGN ON to OFF cycle from 1 to 39. The counter remains at 39 even if the number of cycles exceeds it. However, the counter is reset to 1 if any malfunction is detected again, the normal operation is resumed and the ignition switch is turned from OFF to ON.

A
B
C
D
E
F
G
H
I
J
K
M
N
O
P

MIR

AUTOMATIC DRIVE POSITIONER CONTROL UNIT

< ECU DIAGNOSIS INFORMATION >

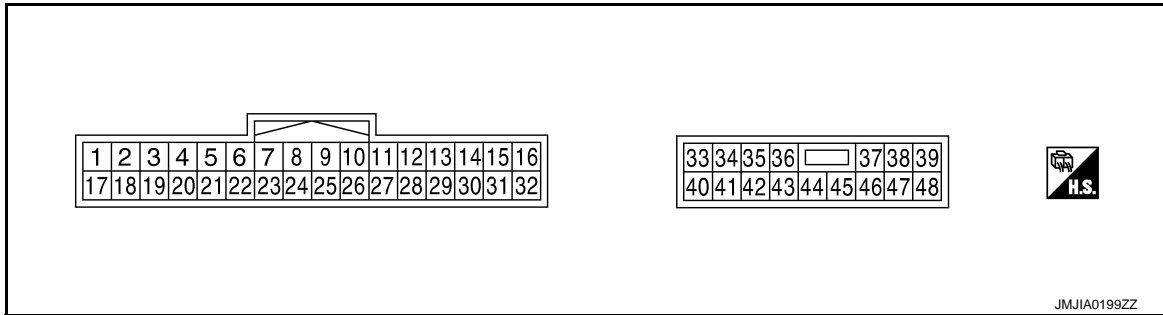
[WITH ADP]

AUTOMATIC DRIVE POSITIONER CONTROL UNIT

Reference Value

INFOID:000000003034980

TERMINAL LAYOUT



PHYSICAL VALUES

Terminal No.		Wire color	Description		Condition	Voltage (V) (Approx.)
+	-		Signal name	Input/ Out- put		
1	Ground	Y	Tilt switch up signal	Input	Tilt switch	Operate (up) 0
					Other than above	5
2	Ground	LG	Changeover switch RH signal	Input	Changeover switch position	RH 0
					Neutral or LH	5
3	Ground	G	Mirror switch up signal	Input	Mirror switch	Operated (up) 0
					Other than above	5
4	Ground	V	Mirror switch left signal	Input	Mirror switch	Operated (left) 0
					Other than above	5
5	Ground	R	Door mirror sensor (RH) up/down signal	Input	Door mirror RH position	Change between 3.4 (close to peak) 0.6 (close to valley)
6	Ground	GR	Door mirror sensor (LH) up/down signal	Input	Door mirror LH position	Change between 3.4 (close to peak) 0.6 (close to valley)
7	Ground	O	Tilt sensor signal	Input	Tilt position	Change between 1.2 (close to top) 3.4 (close to bottom)
9	Ground	L	Memory switch 1 signal	Input	Memory switch 1	Push 0
					Other than above	5
10	Ground	V	UART communication (TX)	Out-put	Ignition switch ON	

AUTOMATIC DRIVE POSITIONER CONTROL UNIT

< ECU DIAGNOSIS INFORMATION >

[WITH ADP]

Terminal No.		Wire color	Description		Condition	Voltage (V) (Approx.)
+	-		Signal name	Input/ Output		
11	Ground	GR	Telescopic switch forward signal	Input	Telescopic switch	Operate (forward) 0
					Other than above	5
12	Ground	O	Memory indicator 1 signal	Output	Memory indicator 1	Illuminate 0
					Other than above	Battery voltage
13	Ground	P	Memory indicator 2 signal	Output	Memory indicator 2	Illuminate 0
					Other than above	Battery voltage
14	Ground	W	Door mirror motor (RH) up output signal	Output	Door mirror RH	Operate (up) Battery voltage
					Other than above	0
15	Ground	GR ^{*1} G ^{*2}	Door mirror motor (RH) left output signal	Output	Door mirror RH	Operate (left) Battery voltage
					Other than above	0
16	Ground	Y	Door mirror motor (LH) down output signal	Output	Door mirror (LH)	Operate (down) Battery voltage
					Other than above	0
			Door mirror motor (LH) right output signal		Operate (right) Battery voltage	
					Other than above	0
17	Ground	W	Tilt switch down signal	Input	Tilt switch	Operate (down) 0
					Other than above	5
18	Ground	P	Changeover switch LH signal	Input	Changeover switch position	LH 0
					Neutral or RH	5
19	Ground	SB	Mirror switch down signal	Input	Mirror switch	Operate (down) 0
					Other than above	5
20	Ground	BR	Mirror switch right signal	Input	Mirror switch	Operate (right) 0
					Other than above	5
21	Ground	L	Door mirror sensor (RH) left/right signal	Input	Door mirror RH position	Change between 3.4 (close to left edge) 0.6 (close to right edge)
22	Ground	G	Door mirror sensor (LH) left/right signal	Input	Door mirror LH position	Change between 0.6 (close to left edge) 3.4 (close to right edge)
23	Ground	P	Telescopic sensor signal	Input	Telescopic position	Change between 0.8 (close to top) 3.4 (close to bottom)

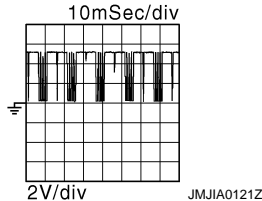
A
B
C
D
E
F
G
H
I
J
K
M
N
O
P

MIR

AUTOMATIC DRIVE POSITIONER CONTROL UNIT

< ECU DIAGNOSIS INFORMATION >

[WITH ADP]

Terminal No.		Wire color	Description		Condition		Voltage (V) (Approx.)
+	-		Signal name	Input/ Output			
24	Ground	R	Set switch signal	Input	Set switch	Push	0
						Other than above	5
25	Ground	SB	Memory switch 2 signal	Input	Memory switch 2	Push	0
						Other than above	5
26	Ground	Y	UART communication (RX)	Input	Ignition switch ON		
27	Ground	G	Telescopic switch backward signal	Input	Telescopic switch	Operate (backward)	0
						Other than above	5
30	Ground	G ^{*1} R ^{*2}	Door mirror motor (RH) down output signal	Output	Door mirror (RH)	Operate (down)	Battery voltage
						Other than above	0
			Door mirror motor (RH) right output signal			Operate (right)	Battery voltage
						Other than above	0
31	Ground	LG	Door mirror motor (LH) up output signal	Output	Door mirror (LH)	Operate (up)	Battery voltage
						Other than above	0
32	Ground	L	Door mirror motor (LH) left output signal	Output	Door mirror (LH)	Operate (left)	Battery voltage
						Other than above	0
33	Ground	R	Sensor power supply	Input	—	5	
34	Ground	R	Power source (Fuse)	Input	—	Battery voltage	
35	Ground	L	Tilt motor up output signal	Output	Steering tilt	Operate (up)	Battery voltage
						Other than above	0
36	Ground	GR	Telescopic motor forward output signal	Output	Steering telescopic	Operate (forward)	Battery voltage
						Other than above	0
39	Ground	W	Power source (C/B)	—	—	Battery voltage	
40	Ground	B	Ground	—	—	0	
41	Ground	R	Sensor ground	—	—	0	

AUTOMATIC DRIVE POSITIONER CONTROL UNIT

< ECU DIAGNOSIS INFORMATION >

[WITH ADP]

Terminal No.		Wire color	Description		Condition	Voltage (V) (Approx.)
+	-		Signal name	Input/ Output		
42	Ground	O	Tilt motor down output signal	Output	Steering tilt	Battery voltage
					Operate (down)	0
44	Ground	G	Telescopic motor backward output signal	Output	Steering telescopic	Battery voltage
					Operate (backward)	0
48	Ground	B	Ground	—	—	0

*1: For AT models

*2: For MT models

A
B
C
D
E
F
G
H
I
J
K
M
N
O
P

MIR

AUTOMATIC DRIVE POSITIONER CONTROL UNIT

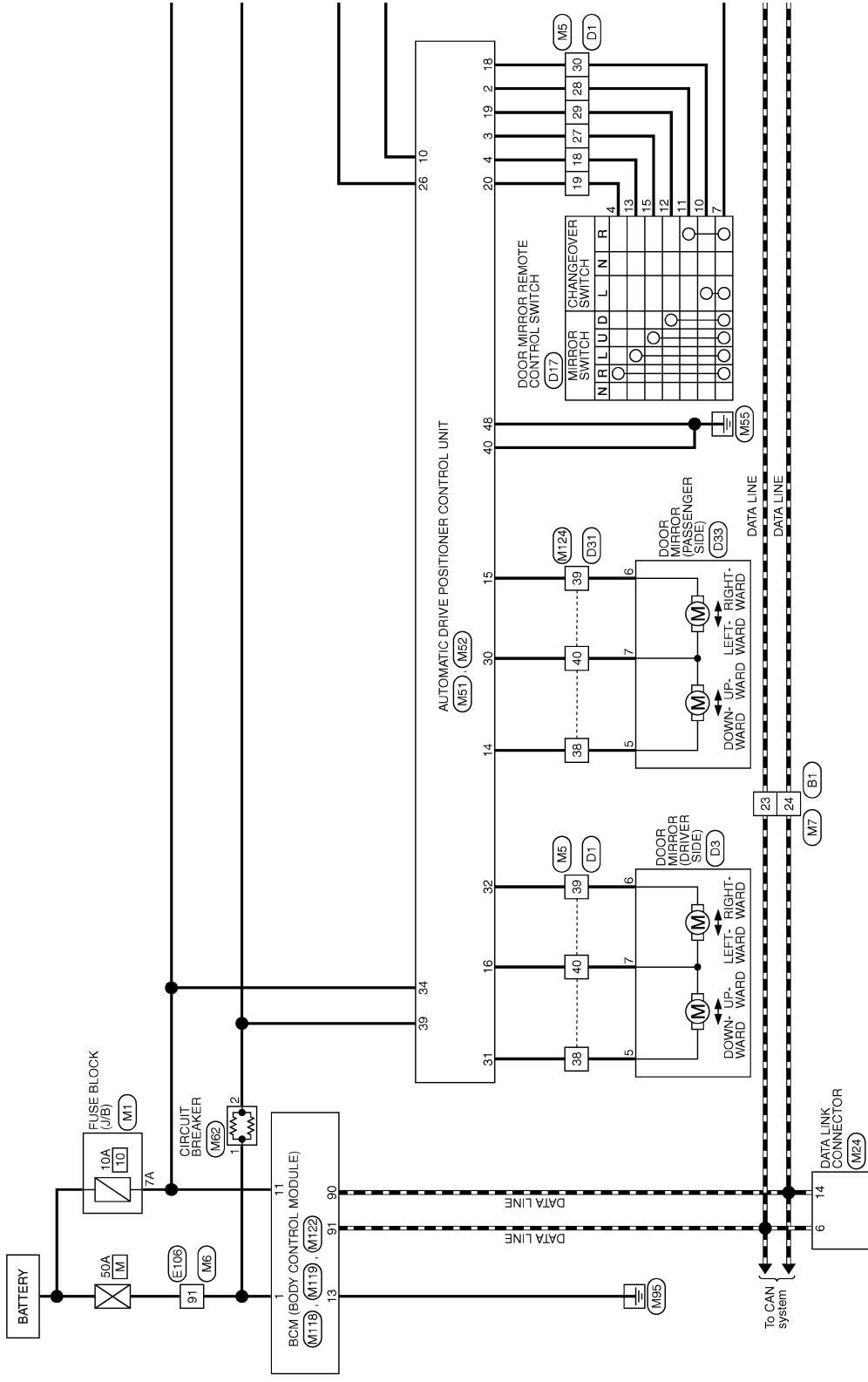
< ECU DIAGNOSIS INFORMATION >

[WITH ADP]

Wiring Diagram - AUTOMATIC DRIVE POSITIONER CONTROL SYSTEM -

INFOID:000000002993856

DOOR MIRROR (WITH AUTOMATIC DRIVE POSITIONER)



JCLWA0790GB

2007/06/15

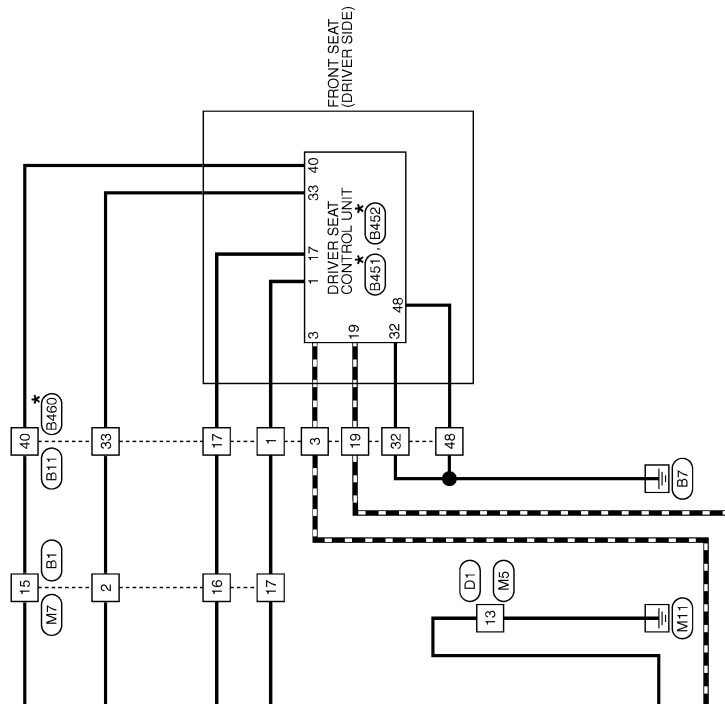
AUTOMATIC DRIVE POSITIONER CONTROL UNIT

< ECU DIAGNOSIS INFORMATION >

[WITH ADP]

A
B
C
D
E
F
G
H
I
J
K
M
N
O
P

*: This connector is not shown in "Harness Layout".



JCLWA0791GB

MIR

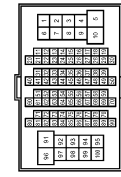
AUTOMATIC DRIVE POSITIONER CONTROL UNIT

< ECU DIAGNOSIS INFORMATION >

[WITH ADP]

DOOR MIRROR (WITH AUTOMATIC DRIVE POSITIONER)

Connector No.	B1
Connector Name	WIRE TO WIRE
Connector Type	TH40PW-TM4

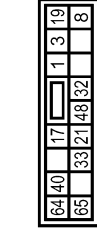


1	2	3	4	5	6	7	8	9	10	11	12	13	14	15	16	17	18	19	20	21	22	23	24	25	26	27	28	29	30	31	32	33	34	35	36	37	38	39	40	41	42	43	44	45	46	47	48
---	---	---	---	---	---	---	---	---	----	----	----	----	----	----	----	----	----	----	----	----	----	----	----	----	----	----	----	----	----	----	----	----	----	----	----	----	----	----	----	----	----	----	----	----	----	----	----



Terminal No.	Color of Wire	Signal Name [Specification]
2	SB	-
15	BR	-
16	LG	-
17	G	-
23	L	-
24	P	-

Connector No.	B11
Connector Name	WIRE TO WIRE
Connector Type	NS16FW-CS



1	2	3	4	5	6	7	8	9	10	11	12	13	14	15	16	17	18	19	20	21	22	23	24	25	26	27	28	29	30	31	32
---	---	---	---	---	---	---	---	---	----	----	----	----	----	----	----	----	----	----	----	----	----	----	----	----	----	----	----	----	----	----	----



Terminal No.	Color of Wire	Signal Name [Specification]
1	G	-
3	L	-
17	LG	-
19	P	-
32	B	-
33	SB	-
40	BR	-
48	B	-

Connector No.	B451
Connector Name	DRIVER SEAT CONTROL UNIT
Connector Type	TH43FW



33	34	35	36	37	38	39		
40	41	42	43	44	45	46	47	48



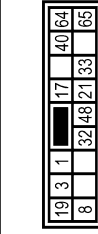
Terminal No.	Color of Wire	Signal Name [Specification]
1	L/W	RX
3	R/Y	GAN-H
17	Y/R	TX
19	V	GAN-L
32	B/W	GND(SIGNAL)

Connector No.	B452
Connector Name	DRIVER SEAT CONTROL UNIT
Connector Type	NS16FW-CS



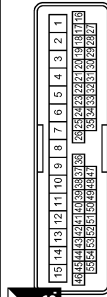
Terminal No.	Color of Wire	Signal Name [Specification]
33	R	BAT(C/B)
40	R/W	BAT(FUSE)
48	B	GND(POWER)

Connector No.	B460
Connector Name	WIRE TO WIRE (WITH AUTOMATIC DRIVE POSITIONER)
Connector Type	NS18MW-CS



19	3	1	17	40	64
8	32	48	21	33	65

Connector No.	D1
Connector Name	WIRE TO WIRE
Connector Type	TH40PW-CS15



Terminal No.	Color of Wire	Signal Name [Specification]
13	B	-
18	W	-
19	BR	-
27	Y	-
28	LG	-
29	G	-
30	GR	-
38	O	-
39	GR	-
40	G	-

Connector No.	D3
Connector Name	DOOR MIRROR (DRIVER SIDE)
Connector Type	TH12MW-MH



Terminal No.	Color of Wire	Signal Name [Specification]
5	O	- [With automatic drive positioner]
6	GR	- [With automatic drive positioner]
7	G	- [With automatic drive positioner]

Connector No.	D17
Connector Name	DOOR MIRROR REMOTE CONTROL SWITCH (WITH AUTOMATIC DRIVE POSITIONER)
Connector Type	TK17PB



1	2	3	4	5	6	7		
8	9	10	11	12	13	14	15	16

Terminal No.	Color of Wire	Signal Name [Specification]
4	BR	-
7	B	-
10	GR	-
11	LG	-
12	G	-
13	W	-
15	Y	-

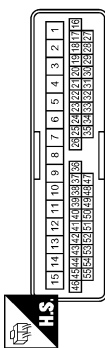
AUTOMATIC DRIVE POSITIONER CONTROL UNIT

< ECU DIAGNOSIS INFORMATION >

[WITH ADP]

DOOR MIRROR (WITH AUTOMATIC DRIVE POSITIONER)

Connector No.	D31
Connector Name	WIRE TO WIRE
Connector Type	TH40FW-CS15



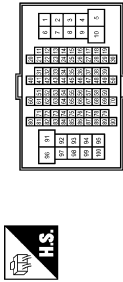
Terminal No. of Wire	Color	Signal Name [Specification]
38	W	- [With A/T]
38	O	- [With M/T]
39	G	- [With A/T]
39	GR	- [With M/T]
40	Y	- [With A/T]
40	G	- [With M/T]

Connector No.	D33
Connector Name	DOOR MIRROR (PASSENGER SIDE)
Connector Type	TH12MW-NH



Terminal No. of Wire	Color	Signal Name [Specification]
5	W	- [With automatic drive positioner]
6	G	- [With automatic drive positioner]
7	Y	- [With automatic drive positioner]

Connector No.	E106
Connector Name	WIRE TO WIRE
Connector Type	TH80FW-CS16-TM4



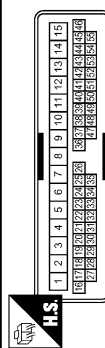
Terminal No. of Wire	Color	Signal Name [Specification]
91	W	-

Connector No.	M1
Connector Name	FUSE BLOCK (J/B)
Connector Type	NS06FW-M2



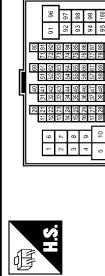
Terminal No. of Wire	Color	Signal Name [Specification]
7A	R	-

Connector No.	M5
Connector Name	WIRE TO WIRE
Connector Type	TH40MW-CS15



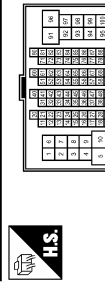
Terminal No. of Wire	Color	Signal Name [Specification]
13	B	-
18	V	-
19	BR	-
27	G	-
28	LG	-
29	SB	-
30	P	-
38	G	-
38	L	-
40	Y	-

Connector No.	M6
Connector Name	WIRE TO WIRE
Connector Type	TH60MW-CS16-TM4



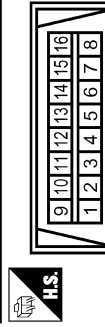
Terminal No. of Wire	Color	Signal Name [Specification]
91	W	-

Connector No.	M7
Connector Name	WIRE TO WIRE
Connector Type	TH60MW-CS16-TM4



Terminal No. of Wire	Color	Signal Name [Specification]
2	SD	- [With automatic drive positioner]
15	BR	-
16	P	-
17	V	-
23	L	-
24	P	-

Connector No.	M24
Connector Name	DATA LINK CONNECTOR
Connector Type	BD16FW



Terminal No. of Wire	Color	Signal Name [Specification]
6	L	-
14	P	-

JCLWA0793GB

A
B
C
D
E
F
G
H
I
J
K
L
M
N
O
P

MIR

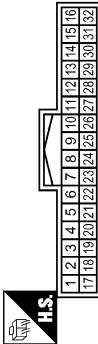
AUTOMATIC DRIVE POSITIONER CONTROL UNIT

< ECU DIAGNOSIS INFORMATION >

[WITH ADP]

DOOR MIRROR (WITH AUTOMATIC DRIVE POSITIONER)

Connector No.	M51
Connector Name	AUTOMATIC DRIVE POSITIONER CONTROL UNIT
Connector Type	TH82FW-NH

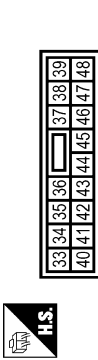


Terminal No.	Color of Wire	Signal Name [Specification]
2	LG	MIRROR SELECT SW (RH)
3	G	MIRROR SW (UPWARD)
4	V	MIRROR SW (LEFTWARD)
10	V	TX (UART)
14	W	MIRROR MOTOR (RH VERTICAL)
15	O	MIRROR MOTOR (RH HORIZONTAL)
16	Y	MIRROR MOTOR (LH COMMON)
18	P	MIRROR SELECT SW (LH)
19	SB	MIRROR SW (DOWNWARD)
20	BR	MIRROR SW (RIGHTWARD)
28	P	RX (UART)

Terminal No.	30	SB	MIRROR MOTOR (RH COMMON)
Terminal No.	31	G	MIRROR MOTOR (LH VERTICAL)
Terminal No.	32	L	MIRROR MOTOR (LH HORIZONTAL)

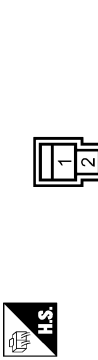


Connector No.	M32
Connector Name	AUTOMATIC DRIVE POSITIONER CONTROL UNIT
Connector Type	NS16FW-CS



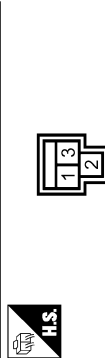
Terminal No.	Color of Wire	Signal Name [Specification]
34	V	BAT (FUSE)
39	W	BAT (G/B)
40	B	GND(SIGNAL)
48	B	GND(POWER)

Connector No.	M62
Connector Name	CIRCUIT BREAKER
Connector Type	M02FW-P-LC



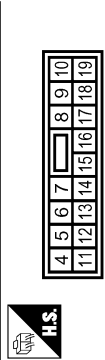
Terminal No.	Color of Wire	Signal Name [Specification]
1	W	-
2	SB	- [With automatic drive positioner]

Connector No.	M18
Connector Name	BCM (BODY CONTROL MODULE)
Connector Type	M03FE-LC



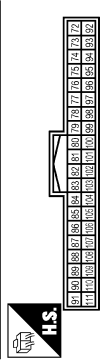
Terminal No.	Color of Wire	Signal Name [Specification]
1	W	BAT (F/L)

Connector No.	M19
Connector Name	BCM (BODY CONTROL MODULE)
Connector Type	NS16FW-CS



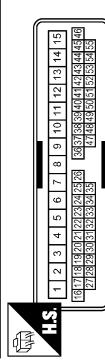
Terminal No.	Color of Wire	Signal Name [Specification]
11	R	BAT (FUSE)
13	B	GND

Connector No.	M22
Connector Name	BCM (BODY CONTROL MODULE)
Connector Type	TH40FB-NH



Terminal No.	Color of Wire	Signal Name [Specification]
90	P	CAN-L
91	L	CAN-H

Connector No.	M24
Connector Name	WIRE TO WIRE
Connector Type	TH40MP-CS15



Terminal No.	Color of Wire	Signal Name [Specification]
38	W	-
39	O	-
40	SB	-

JCLWA0794GB

DOOR MIRROR DOES NOT OPERATE

[WITH ADP]

< SYMPTOM DIAGNOSIS >

SYMPTOM DIAGNOSIS

DOOR MIRROR DOES NOT OPERATE

Diagnosis Procedure

INFOID:000000002993857

1. CHECK AUTOMATIC DRIVE POSITIONER SYSTEM

Check door mirror operate with automatic drive positioner system.

Is the inspection result normal?

YES >> GO TO 2.

NO >> Check automatic drive positioner system operation. Refer to [ADP-16. "AUTOMATIC DRIVE POSITIONER SYSTEM : System Diagram"](#)

2. CHECK MIRROR SWITCH

Check mirror switch.

Refer to [MIR-10. "Component Function Check"](#)

Is the inspection result normal?

YES >> GO TO 3.

NO >> Repair or replace the malfunctioning parts.

3. CHECK CHANGEOVER SWITCH

Check changeover switch.

Refer to [MIR-13. "Component Function Check"](#)

Is the inspection result normal?

YES >> GO TO 4.

NO >> Repair or replace the malfunctioning parts.

4. CONFIRM THE OPERATION

Confirm the operation again.

Is the result normal?

YES >> Check intermittent incident. Refer to [GI-39. "Intermittent Incident"](#)

NO >> GO TO 1.

A
B
C
D
E
F
G
H
I
J
K
M
N
O
P

MIR

SQUEAK AND RATTLE TROUBLE DIAGNOSES

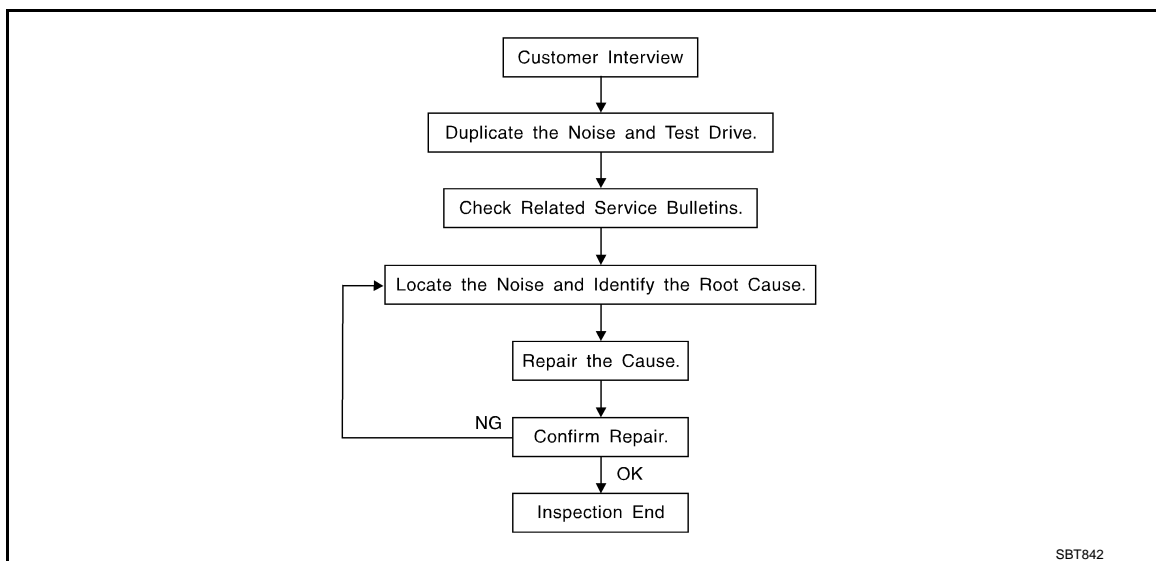
< SYMPTOM DIAGNOSIS >

[WITH ADP]

SQUEAK AND RATTLE TROUBLE DIAGNOSES

Work Flow

INFOID:00000002993858



CUSTOMER INTERVIEW

Interview the customer if possible, to determine the conditions that exist when the noise occurs. Use the Diagnostic Worksheet during the interview to document the facts and conditions when the noise occurs and any of customer's comments; refer to [MIR-42, "Diagnostic Worksheet"](#). This information is necessary to duplicate the conditions that exist when the noise occurs.

- The customer may not be able to provide a detailed description or the location of the noise. Attempt to obtain all the facts and conditions that exist when the noise occurs (or does not occur).
- If there is more than one noise in the vehicle, perform a diagnosis and repair the noise that the customer is concerned about. This can be accomplished by performing a cruise test on the vehicle with the customer.
- After identifying the type of noise, isolate the noise in terms of its characteristics. The noise characteristics are provided so the customer, service adviser and technician are all speaking the same language when defining the noise.
- Squeak —(Like tennis shoes on a clean floor)
Squeak characteristics include the light contact/fast movement/brought on by road conditions/hard surfaces=higher pitch noise/softer surfaces=lower pitch noises/edge to surface=chirping
- Creak—(Like walking on an old wooden floor)
Creak characteristics include firm contact/slow movement/twisting with a rotational movement/pitch dependent on materials/often brought on by activity.
- Rattle—(Like shaking a baby rattle)
Rattle characteristics include the fast repeated contact/vibration or similar movement/loose parts/missing clip or fastener/incorrect clearance.
- Knock —(Like a knock on a door)
Knock characteristics include hollow sounding/sometimes repeating/often brought on by driver action.
- Tick—(Like a clock second hand)
Tick characteristics include gentle contacting of light materials/loose components/can be caused by driver action or road conditions.
- Thump—(Heavy, muffled knock noise)
Thump characteristics include softer knock/dead sound often brought on by activity.
- Buzz—(Like a bumblebee)
Buzz characteristics include high frequency rattle/firm contact.
- Often the degree of acceptable noise level will vary depending up on the person. A noise that you may judge as acceptable may be very irritating to the customer.
- Weather conditions, especially humidity and temperature, may have a great effect on noise level.

DUPLICATE THE NOISE AND TEST DRIVE

If possible, drive the vehicle with the customer until the noise is duplicated. Note any additional information on the Diagnostic Worksheet regarding the conditions or location of the noise. This information can be used to duplicate the same conditions when you confirm the repair.

SQUEAK AND RATTLE TROUBLE DIAGNOSES

[WITH ADP]

< SYMPTOM DIAGNOSIS >

If the noise can be duplicated easily during the test drive, to help identify the source of the noise, try to duplicate the noise with the vehicle stopped by doing one or all of the following:

- 1) Close a door.
 - 2) Tap or push/pull around the area where the noise appears to be coming from.
 - 3) Rev the engine.
 - 4) Use a floor jack to recreate vehicle "twist".
 - 5) At idle, apply engine load (electrical load, half-clutch on M/T models, drive position on A/T models).
 - 6) Raise the vehicle on a hoist and hit a tire with a rubber hammer.
- Drive the vehicle and attempt to duplicate the conditions the customer states exist when the noise occurs.
 - If it is difficult to duplicate the noise, drive the vehicle slowly on an undulating or rough road to stress the vehicle body.

CHECK RELATED SERVICE BULLETINS

After verifying the customer concern or symptom, check ASIST for Technical Service Bulletins (TSBs) related to that concern or symptom.

If a TSB relates to the symptom, follow the procedure to repair the noise.

LOCATE THE NOISE AND IDENTIFY THE ROOT CAUSE

1. Narrow down the noise to a general area. To help pinpoint the source of the noise, use a listening tool (Chassis Ear: J-39570, Engine Ear and mechanics stethoscope).
2. Narrow down the noise to a more specific area and identify the cause of the noise by:
 - removing the components in the area that you suspect the noise is coming from.
Do not use too much force when removing clips and fasteners, otherwise clips and fastener can be broken or lost during the repair, resulting in the creation of new noise.
 - tapping or pushing/pulling the component that you suspect is causing the noise.
Do not tap or push/pull the component with excessive force, otherwise the noise will be eliminated only temporarily.
 - feeling for a vibration with your hand by touching the component(s) that you suspect is (are) causing the noise.
 - placing a piece of paper between components that you suspect are causing the noise.
 - looking for loose components and contact marks.
Refer to [MIR-40, "Inspection Procedure"](#).

REPAIR THE CAUSE

- If the cause is a loose component, tighten the component securely.
- If the cause is insufficient clearance between components:
 - separate components by repositioning or loosening and retightening the component, if possible.
 - insulate components with a suitable insulator such as urethane pads, foam blocks, felt cloth tape or urethane tape. A Nissan Squeak and Rattle Kit (J-43980) is available through your authorized Nissan Parts Department.

CAUTION:

Do not use excessive force as many components are constructed of plastic and may be damaged.

NOTE:

Always check with the Parts Department for the latest parts information.

The following materials are contained in the Nissan Squeak and Rattle Kit (J-43980). Each item can be ordered separately as needed.

URETHANE PADS [1.5 mm (0.059 in) thick]

Insulates connectors, harness, etc.

76268-9E005: 100 × 135 mm (3.94 × 5.31 in)/76884-71L01: 60 × 85 mm (2.36 × 3.35 in)/76884-71L02: 15 × 25 mm (0.59 × 0.98 in)

INSULATOR (Foam blocks)

Insulates components from contact. Can be used to fill space behind a panel.

73982-9E000: 45 mm (1.77 in) thick, 50 × 50 mm (1.97 × 1.97 in)/73982-

50Y00: 10 mm (0.39 in) thick, 50 × 50 mm (1.97 × 1.97 in)

INSULATOR (Light foam block)

80845-71L00: 30 mm (1.18 in) thick, 30 × 50 mm (1.18 × 1.97in)

FELT CLOTHTAPE

Used to insulate where movement does not occur. Ideal for instrument panel applications.

68370-4B000: 15 × 25 mm (0.59 × 0.98 in) pad/68239-13E00: 5 mm (0.20 in) wide tape roll

The following materials, not found in the kit, can also be used to repair squeaks and rattles.

UHMW (TEFLON) TAPE

SQUEAK AND RATTLE TROUBLE DIAGNOSES

[WITH ADP]

< SYMPTOM DIAGNOSIS >

Insulates where slight movement is present. Ideal for instrument panel applications.

SILICONE GREASE

Used in place of UHMW tape that will be visible or not fit. Will only last a few months.

SILICONE SPRAY

Use when grease cannot be applied.

DUCT TAPE

Use to eliminate movement.

CONFIRM THE REPAIR

Confirm that the cause of a noise is repaired by test driving the vehicle. Operate the vehicle under the same conditions as when the noise originally occurred. Refer to the notes on the Diagnostic Worksheet.

Inspection Procedure

INFOID:000000002993859

Refer to Table of Contents for specific component removal and installation information.

INSTRUMENT PANEL

Most incidents are caused by contact and movement between:

1. The cluster lid A and instrument panel
2. Acrylic lens and combination meter housing
3. Instrument panel to front pillar garnish
4. Instrument panel to windshield
5. Instrument panel mounting pins
6. Wiring harnesses behind the combination meter
7. A/C defroster duct and duct joint

These incidents can usually be located by tapping or moving the components to duplicate the noise or by pressing on the components while driving to stop the noise. Most of these incidents can be repaired by applying felt cloth tape or silicon spray (in hard to reach areas). Urethane pads can be used to insulate wiring harness.

CAUTION:

Do not use silicone spray to isolate a squeak or rattle. If you saturate the area with silicone, you will not be able to recheck the repair.

CENTER CONSOLE

Components to pay attention to include:

1. Shifter assembly cover to finisher
2. A/C control unit and cluster lid C
3. Wiring harnesses behind audio and A/C control unit

The instrument panel repair and isolation procedures also apply to the center console.

DOORS

Pay attention to the:

1. Finisher and inner panel making a slapping noise
2. Inside handle escutcheon to door finisher
3. Wiring harnesses tapping
4. Door striker out of alignment causing a popping noise on starts and stops

Tapping or moving the components or pressing on them while driving to duplicate the conditions can isolate many of these incidents. You can usually insulate the areas with felt cloth tape or insulator foam blocks from the Nissan Squeak and Rattle Kit (J-43980) to repair the noise.

TRUNK

Trunk noises are often caused by a loose jack or loose items put into the trunk by the owner.

In addition look for:

1. Trunk lid dumpers out of adjustment
2. Trunk lid striker out of adjustment
3. The trunk lid torsion bars knocking together
4. A loose license plate or bracket

SQUEAK AND RATTLE TROUBLE DIAGNOSES

[WITH ADP]

< SYMPTOM DIAGNOSIS >

Most of these incidents can be repaired by adjusting, securing or insulating the item(s) or component(s) causing the noise.

SUNROOF/HEADLINING

Noises in the sunroof/headlining area can often be traced to one of the following:

1. Sunroof lid, rail, linkage or seals making a rattle or light knocking noise
2. Sunvisor shaft shaking in the holder
3. Front or rear windshield touching headlining and squeaking

Again, pressing on the components to stop the noise while duplicating the conditions can isolate most of these incidents. Repairs usually consist of insulating with felt cloth tape.

SEATS

When isolating seat noise it's important to note the position the seat is in and the load placed on the seat when the noise is present. These conditions should be duplicated when verifying and isolating the cause of the noise.

Cause of seat noise include:

1. Headrest rods and holder
2. A squeak between the seat pad cushion and frame
3. The rear seatback lock and bracket

These noises can be isolated by moving or pressing on the suspected components while duplicating the conditions under which the noise occurs. Most of these incidents can be repaired by repositioning the component or applying urethane tape to the contact area.

UNDERHOOD

Some interior noise may be caused by components under the hood or on the engine wall. The noise is then transmitted into the passenger compartment.

Causes of transmitted underhood noise include:

1. Any component mounted to the engine wall
2. Components that pass through the engine wall
3. Engine wall mounts and connectors
4. Loose radiator mounting pins
5. Hood bumpers out of adjustment
6. Hood striker out of adjustment

These noises can be difficult to isolate since they cannot be reached from the interior of the vehicle. The best method is to secure, move or insulate one component at a time and test drive the vehicle. Also, engine RPM or load can be changed to isolate the noise. Repairs can usually be made by moving, adjusting, securing, or insulating the component causing the noise.

A
B
C
D
E
F
G
H
I
J
K
M
N
O
P

MIR

SQUEAK AND RATTLE TROUBLE DIAGNOSES

< SYMPTOM DIAGNOSIS >

[WITH ADP]

Diagnostic Worksheet

INFOID:00000002993860



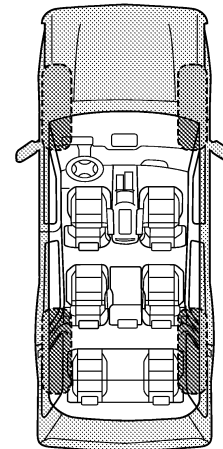
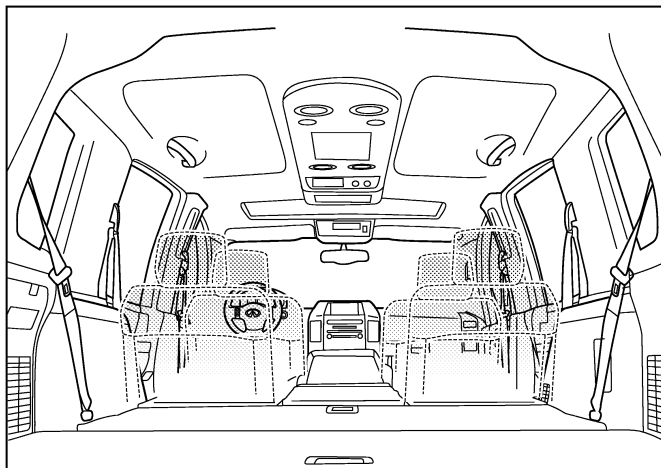
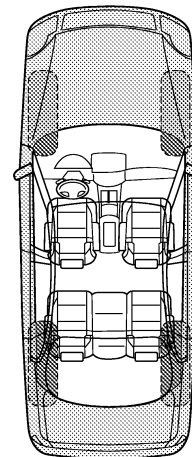
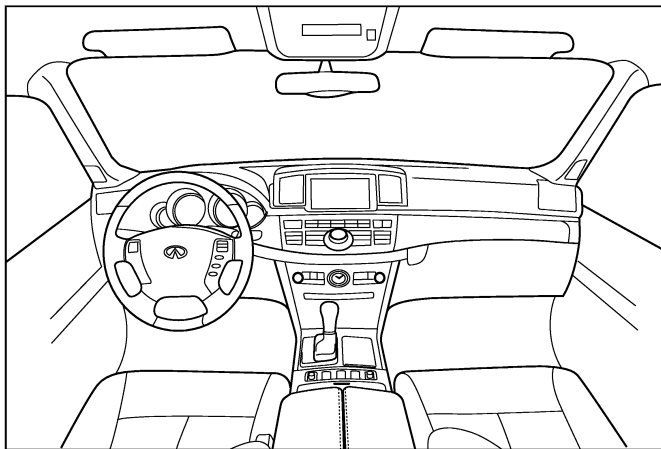
SQUEAK & RATTLE DIAGNOSTIC WORKSHEET

Dear Infiniti Customer:

We are concerned about your satisfaction with your Infiniti vehicle. Repairing a squeak or rattle sometimes can be very difficult. To help us fix your Infiniti right the first time, please take a moment to note the area of the vehicle where the squeak or rattle occurs and under what conditions. You may be asked to take a test drive with a service consultant or technician to ensure we confirm the noise you are hearing.

I. WHERE DOES THE NOISE COME FROM? (circle the area of the vehicle)

The illustrations are for reference only, and may not reflect the actual configuration of your vehicle.



Continue to page 2 of the worksheet and briefly describe the location of the noise or rattle. In addition, please indicate the conditions which are present when the noise occurs.

PIIB8741E

SQUEAK AND RATTLE TROUBLE DIAGNOSES

< SYMPTOM DIAGNOSIS >

[WITH ADP]

SQUEAK & RATTLE DIAGNOSTIC WORKSHEET - page 2

Briefly describe the location where the noise occurs:

II. WHEN DOES IT OCCUR? (please check the boxes that apply)

- | | |
|---|--|
| <input type="checkbox"/> anytime | <input type="checkbox"/> after sitting out in the rain |
| <input type="checkbox"/> 1st time in the morning | <input type="checkbox"/> when it is raining or wet |
| <input type="checkbox"/> only when it is cold outside | <input type="checkbox"/> dry or dusty conditions |
| <input type="checkbox"/> only when it is hot outside | <input type="checkbox"/> other: |

III. WHEN DRIVING:

- through driveways
- over rough roads
- over speed bumps
- only about ____ mph
- on acceleration
- coming to a stop
- on turns: left, right or either (circle)
- with passengers or cargo
- other: _____
- after driving ____ miles or ____ minutes

IV. WHAT TYPE OF NOISE

- squeak (like tennis shoes on a clean floor)
- creak (like walking on an old wooden floor)
- rattle (like shaking a baby rattle)
- knock (like a knock at the door)
- tick (like a clock second hand)
- thump (heavy, muffled knock noise)
- buzz (like a bumble bee)

TO BE COMPLETED BY DEALERSHIP PERSONNEL

Test Drive Notes:

	YES	NO	Initials of person performing
Vehicle test driven with customer	<input type="checkbox"/>	<input type="checkbox"/>	_____
- Noise verified on test drive	<input type="checkbox"/>	<input type="checkbox"/>	_____
- Noise source located and repaired	<input type="checkbox"/>	<input type="checkbox"/>	_____
- Follow up test drive performed to confirm repair	<input type="checkbox"/>	<input type="checkbox"/>	_____

VIN: _____ Customer Name: _____
W.O.# _____ Date: _____

This form must be attached to Work Order

PIIB8742E

A
B
C
D
E
F
G
H
I
J
K
M
N
O
P

MIR

PRECAUTION

PRECAUTIONS

Precaution for Supplemental Restraint System (SRS) "AIR BAG" and "SEAT BELT PRE-TENSIONER"

INFOID:000000002993909

The Supplemental Restraint System such as "AIR BAG" and "SEAT BELT PRE-TENSIONER", used along with a front seat belt, helps to reduce the risk or severity of injury to the driver and front passenger for certain types of collision. This system includes seat belt switch inputs and dual stage front air bag modules. The SRS system uses the seat belt switches to determine the front air bag deployment, and may only deploy one front air bag, depending on the severity of a collision and whether the front occupants are belted or unbelted. Information necessary to service the system safely is included in the "SRS AIR BAG" and "SEAT BELT" of this Service Manual.

WARNING:

- To avoid rendering the SRS inoperative, which could increase the risk of personal injury or death in the event of a collision which would result in air bag inflation, all maintenance must be performed by an authorized NISSAN/INFINITI dealer.
- Improper maintenance, including incorrect removal and installation of the SRS, can lead to personal injury caused by unintentional activation of the system. For removal of Spiral Cable and Air Bag Module, see the "SRS AIR BAG".
- Do not use electrical test equipment on any circuit related to the SRS unless instructed to in this Service Manual. SRS wiring harnesses can be identified by yellow and/or orange harnesses or harness connectors.

PRECAUTIONS WHEN USING POWER TOOLS (AIR OR ELECTRIC) AND HAMMERS

WARNING:

- When working near the Air Bag Diagnosis Sensor Unit or other Air Bag System sensors with the ignition ON or engine running, DO NOT use air or electric power tools or strike near the sensor(s) with a hammer. Heavy vibration could activate the sensor(s) and deploy the air bag(s), possibly causing serious injury.
- When using air or electric power tools or hammers, always switch the ignition OFF, disconnect the battery, and wait at least 3 minutes before performing any service.

PREPARATION

< PREPARATION >

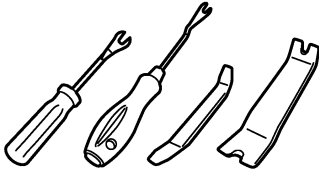
[WITH ADP]

PREPARATION

PREPARATION

Commercial Service Tools

INFOID:000000002993862

Tool name	Description
Remover tool  JMKIA3050ZZ	Removes the clips, pawls and metal clips

A
B
C
D
E
F
G
H
I
J
K
M
N
O
P

MIR

INSIDE MIRROR

< REMOVAL AND INSTALLATION >

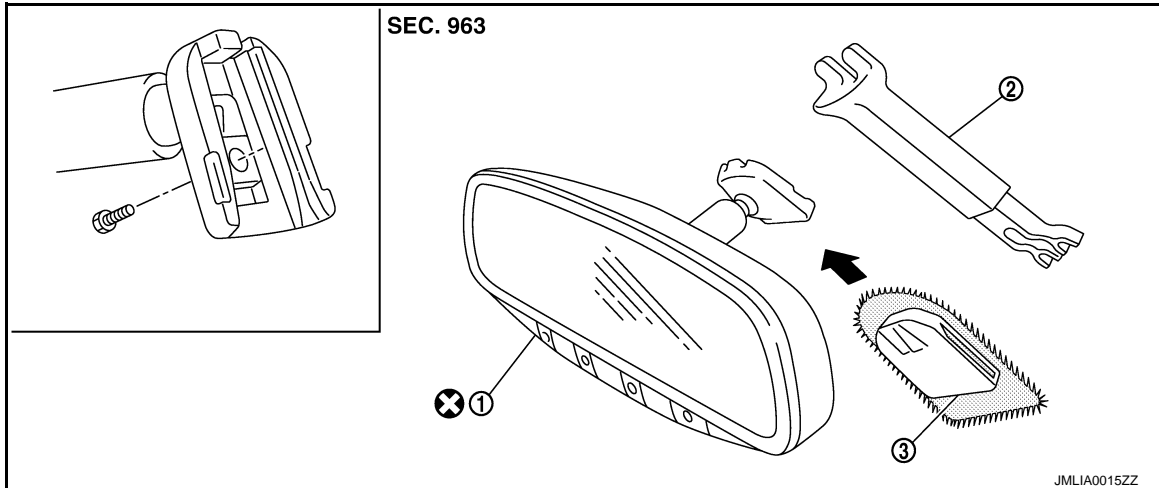
[WITH ADP]

REMOVAL AND INSTALLATION

INSIDE MIRROR

Exploded View

INFOID:000000002993863



1. Inside mirror
2. Inside mirror finisher (if equipped)
3. Mirror base

Refer to [GI-4, "Components"](#) for symbols in the figure.

Removal and Installation

INFOID:000000002993864

REMOVAL

1. Remove inside mirror finisher.
2. Remove nut of mirror base.
3. Slide the mirror upward to remove.
4. Disconnect the connector.

INSTALLATION

Install in the reverse order of removal.

OUTSIDE MIRROR

< REMOVAL AND INSTALLATION >

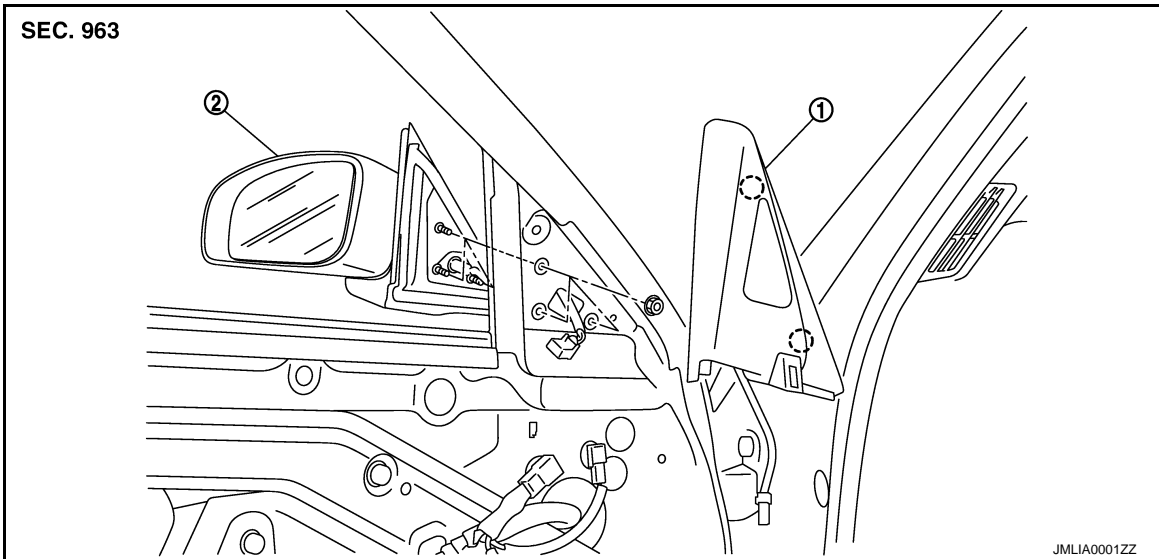
[WITH ADP]

OUTSIDE MIRROR DOOR MIRROR ASSEMBLY

DOOR MIRROR ASSEMBLY : Exploded View

INFOID:000000002993865

REMOVAL

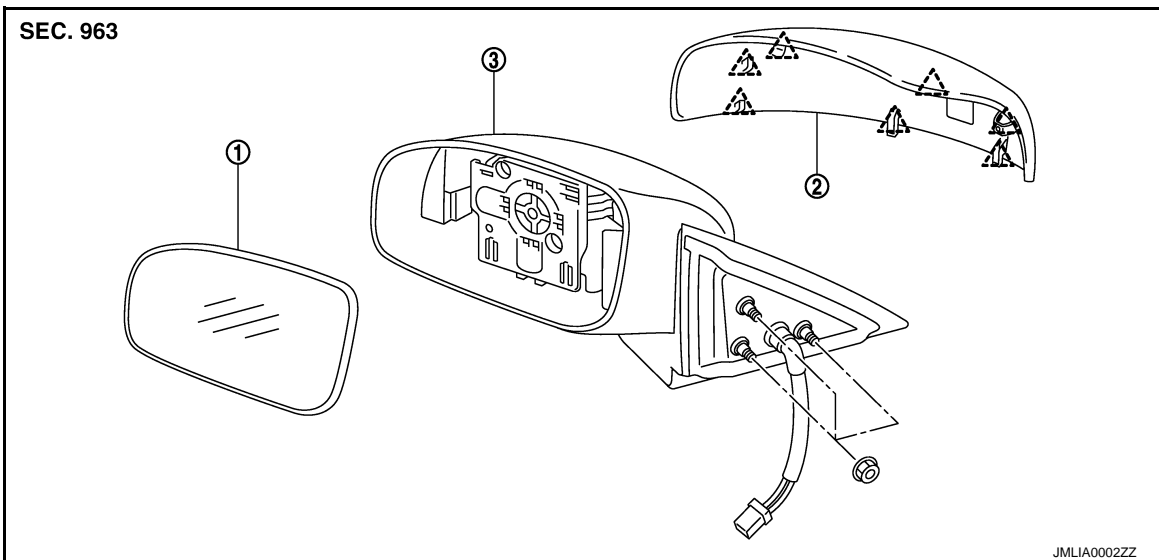


1. Corner cover

2. Door mirror assembly

○ :Clip

DISASSEMBLY



1. Glass mirror

2. Mirror cover

3. Mirror assembly

△ :Pawl

DOOR MIRROR ASSEMBLY : Removal and Installation

INFOID:000000002993866

REMOVAL

1. Remove the front door finisher. Refer to [INT-11, "Removal and Installation"](#).
2. Remove the corner cover.

OUTSIDE MIRROR

[WITH ADP]

< REMOVAL AND INSTALLATION >

3. Disconnect the door mirror harness connector.
4. Remove the door mirror mounting nuts, and remove the door mirror assembly.

INSTALLATION

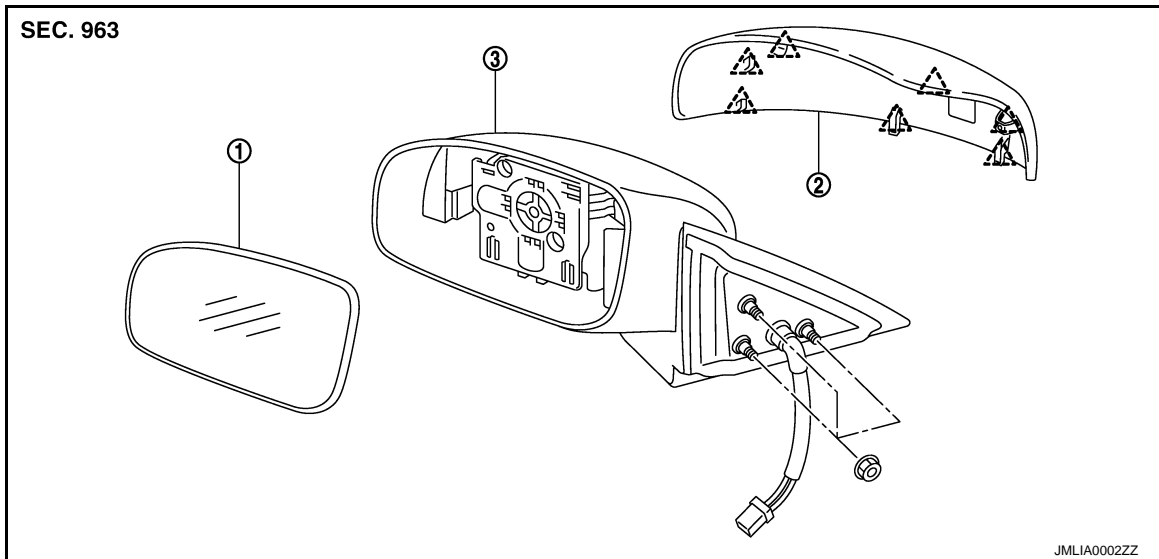
Install in the reverse order of removal.

GLASS MIRROR

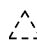
GLASS MIRROR : Exploded View

INFOID:000000002993868

DISASSEMBLY



1. Glass mirror 2. Mirror cover 3. Mirror assembly

 :Pawl

GLASS MIRROR : Disassembly and Assembly

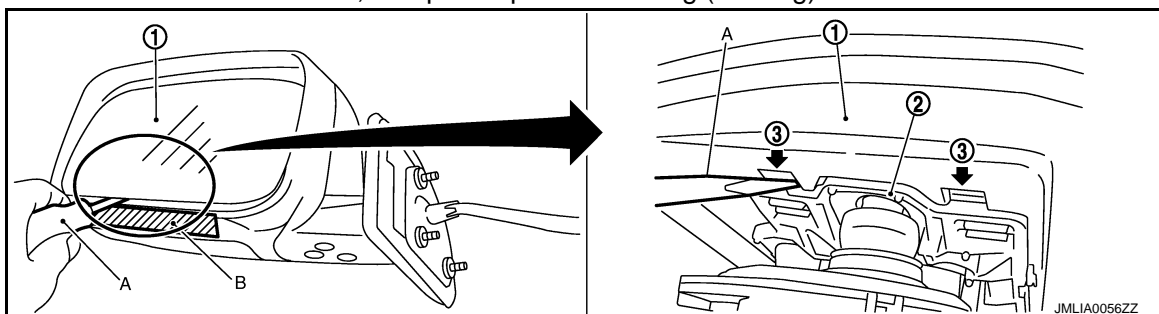
INFOID:000000002993869

DISASSEMBLY

1. Remove the pawls and disassemble the base cover.
2. Place the glass mirror upward.
3. Put a strip of protective tape (B) on housing assembly.
4. As shown in the figure, insert a small slotted screwdriver (A) into the recess between glass mirror (1) and actuator (2). Push up both pawls (3) simultaneously to remove glass mirror lower half side.

NOTE:

Insert screwdriver into recesses, and push up while rotating (twisting) to make work easier.



5. Remove two terminals of mirror heater attachment.
6. Lightly lift up lower side of glass mirror, and detach both pawls of upper side as if pulling it out. Disassemble glass mirror from actuator.

NOTE:

Be certain not to allow grease on sealing agent in center of mirror or back side of glass mirror.

OUTSIDE MIRROR

[WITH ADP]

< REMOVAL AND INSTALLATION >

ASSEMBLY

Assemble in the reverse order of disassemble.

CAUTION:

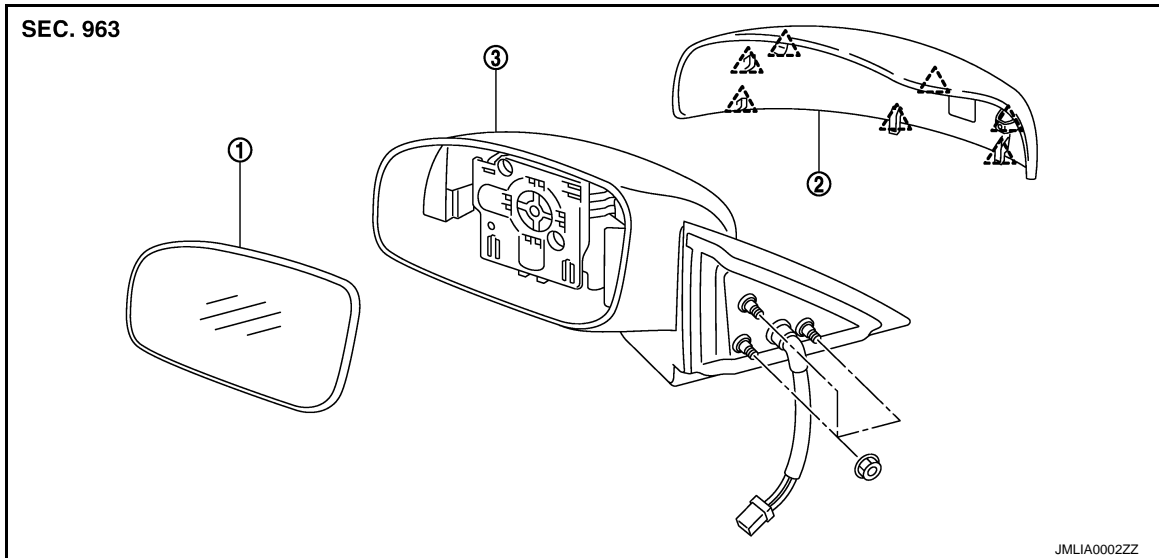
After installation, visually check that pawls are securely engaged.

DOOR MIRROR COVER

DOOR MIRROR COVER : Exploded View

INFOID:000000002993921

DISASSEMBLY



1. Glass mirror

2. Mirror cover

3. Mirror assembly

△ :Pawl

DOOR MIRROR COVER : Disassembly and Assembly

INFOID:000000002993871

CAUTION:

Do not damage the mirror bodies.

DISASSEMBLY

1. Remove the glass mirror. Refer to [MIR-48, "GLASS MIRROR : Disassembly and Assembly"](#).
2. Remove the pawls, and disassemble the door mirror cover from the mirror assembly.

ASSEMBLY

Install in the reverse order of removal.

CAUTION:

After installation, visually check that pawls are securely engaged.

A
B
C
D
E
F
G
H
I
J
K
M
N
O
P

MIR

DOOR MIRROR REMOTE CONTROL SWITCH

< REMOVAL AND INSTALLATION >

[WITH ADP]

DOOR MIRROR REMOTE CONTROL SWITCH

Exploded View

INFOID:000000002993872

Refer to [INT-11, "Exploded View"](#)

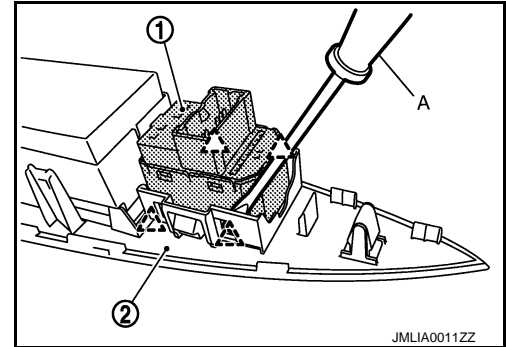
Removal and Installation

INFOID:000000002993873

REMOVAL

1. Remove the power window main switch finisher (2). Refer to [PWC-114, "Removal and Installation"](#)
2. Remove door mirror remote control switch (1) from power window main switch finisher (2) using screwdriver (A).

 : Pawl



INSTALLATION

Install in the reverse order of removal.

DOOR MIRROR SYSTEM

< SYSTEM DESCRIPTION >

[WITHOUT ADP]

SYSTEM DESCRIPTION

DOOR MIRROR SYSTEM

Component Description

INFOID:000000002993874

Component	Function
Door mirror remote control switch	It supplies power to mirror motor through mirror switch and changeover switch.
Door mirror	It makes mirror face operate from side to side and up and down with the mirror control switch operation.

A

B

C

D

E

F

G

H

I

J

K

MIR

M

N

O

P

INSIDE MIRROR SYSTEM

< SYSTEM DESCRIPTION >

[WITHOUT ADP]

INSIDE MIRROR SYSTEM

System Description

INFOID:000000002993875

The sensor built in inside mirror detects the headlight of the vehicle behind and automatically changes the light transmission to decrease the brightness.

Component Description

INFOID:000000002993876

Component	Function
Auto anti-dazzling inside mirror	It automatically changes the light transmittance according to the brightness of the light from the headlight of the vehicle behind.

DOOR MIRROR

< DTC/CIRCUIT DIAGNOSIS >

[WITHOUT ADP]

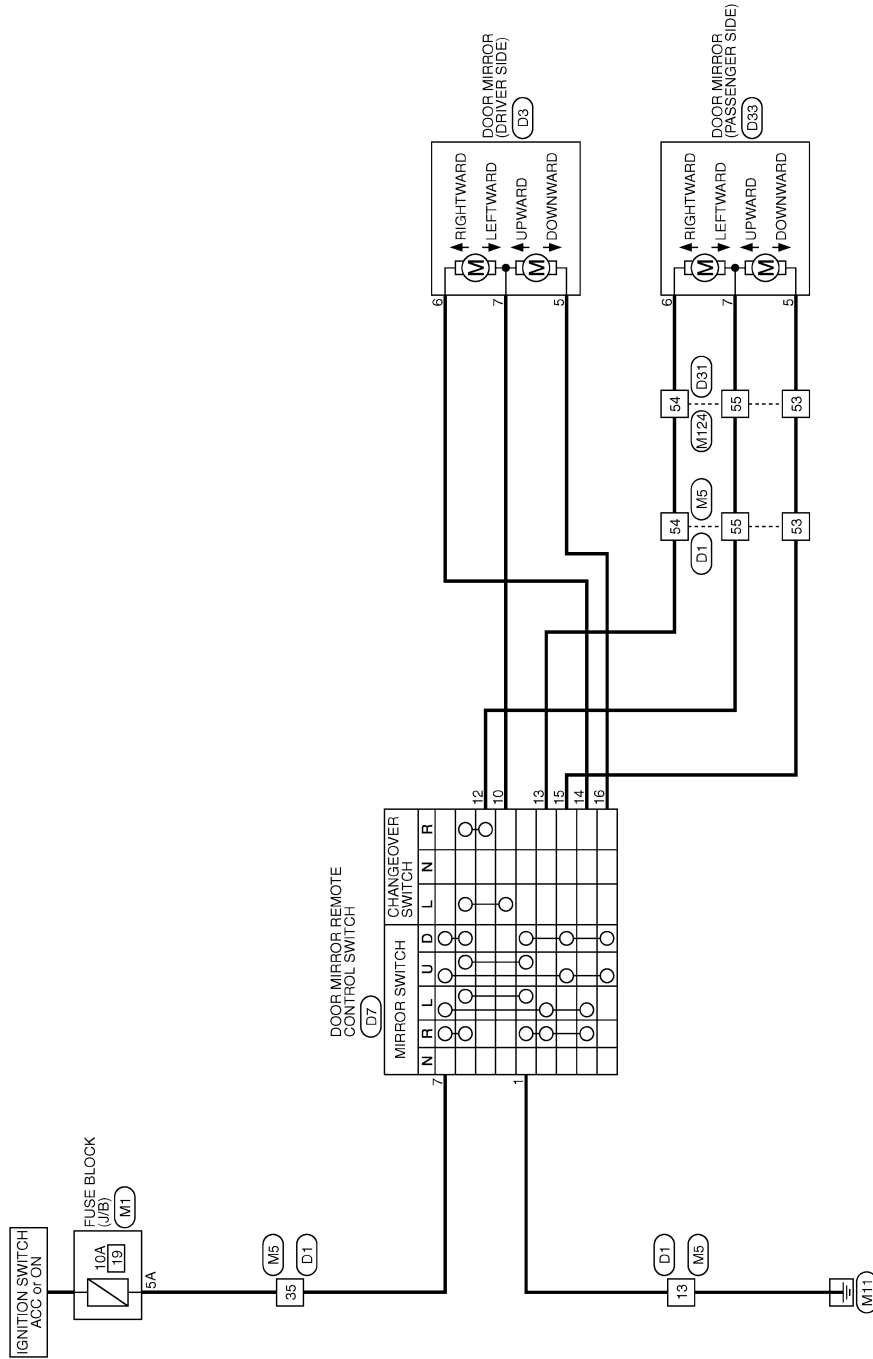
DTC/CIRCUIT DIAGNOSIS

DOOR MIRROR

Wiring Diagram - DOOR MIRROR SYSTEM -

INFOID:000000002993877

DOOR MIRROR (WITHOUT AUTOMATIC DRIVE POSITIONER)



2007/06/15

JCLWA0795GB

A
B
C
D
E
F
G
H
I
J
K
L
M
N
O
P

MIR

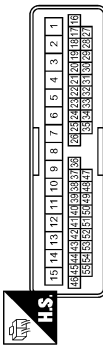
DOOR MIRROR

< DTC/CIRCUIT DIAGNOSIS >

[WITHOUT ADP]

DOOR MIRROR (WITHOUT AUTOMATIC DRIVE POSITIONER)

Connector No.	D1
Connector Name	WIRE TO WIRE
Connector Type	TH40FW-CS15



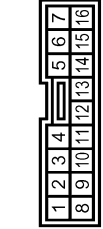
Connector No.	D3
Connector Name	DOOR MIRROR (DRIVER SIDE)
Connector Type	TH12MW-NH



Terminal No.	Color of Wire	Signal Name [Specification]
13	B	-
35	V	-
53	O	-
54	GR	-
55	G	-

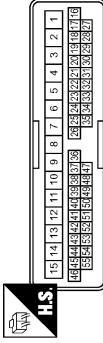
Terminal No.	Color of Wire	Signal Name [Specification]
5	BR	- [Without automatic drive positioner]
6	L	- [Without automatic drive positioner]
7	Y	- [Without automatic drive positioner]

Connector No.	D7
Connector Name	DOOR MIRROR REMOTE CONTROL SWITCH
Connector Type	TK18FW



Terminal No.	Color of Wire	Signal Name [Specification]
1	B	-
7	V	-
10	Y	-
12	G	-
13	GR	-
14	L	-
15	O	-
16	BR	-

Connector No.	D31
Connector Name	WIRE TO WIRE
Connector Type	TH40FW-CS15



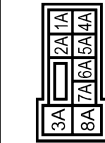
Terminal No.	Color of Wire	Signal Name [Specification]
53	O	-
54	GR	-
55	G	-

Connector No.	D33
Connector Name	DOOR MIRROR (PASSENGER SIDE)
Connector Type	TH12MW-NH



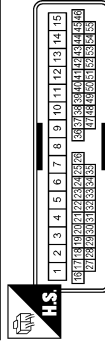
Terminal No.	Color of Wire	Signal Name [Specification]
5	O	- [Without automatic drive positioner]
6	GR	- [Without automatic drive positioner]
7	G	- [Without automatic drive positioner]

Connector No.	M1
Connector Name	FUSE BLOCK (J/B)
Connector Type	NS06FW-M2



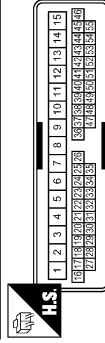
Terminal No.	Color of Wire	Signal Name [Specification]
5A	L	-

Connector No.	M5
Connector Name	WIRE TO WIRE
Connector Type	TH40MW-CS15



Terminal No.	Color of Wire	Signal Name [Specification]
13	B	-
35	Y	-
53	W	-
54	V	-
55	P	-

Connector No.	M124
Connector Name	WIRE TO WIRE
Connector Type	TH40MW-CS15



Terminal No.	Color of Wire	Signal Name [Specification]
53	W	-
54	V	-
55	P	-

AUTO ANTI-DAZZLING INSIDE MIRROR SYSTEM

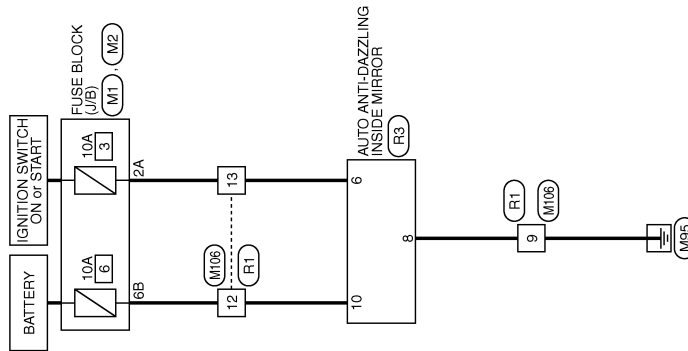
< DTC/CIRCUIT DIAGNOSIS >

[WITHOUT ADP]

AUTO ANTI-DAZZLING INSIDE MIRROR SYSTEM

Wiring Diagram - INSIDE MIRROR SYSTEM -

INFOID:000000003072508



INSIDE MIRROR

2006/09/15

JCLWA0004GB

A
B
C
D
E
F
G
H
I
J
K
L
M
N
O
P

MIR

AUTO ANTI-DAZZLING INSIDE MIRROR SYSTEM

< DTC/CIRCUIT DIAGNOSIS >

[WITHOUT ADP]

INSIDE MIRROR

Connector No.	M1
Connector Name	FUSE BLOCK (J/B)
Connector Type	NSJ06FW-M2



Terminal No.	2A	Color of Wire	G	Signal Name [Specification]	
--------------	----	---------------	---	-----------------------------	--

Connector No.	M2
Connector Name	FUSE BLOCK (J/B)
Connector Type	NSJ06FW-CS



Terminal No.	6B	Color of Wire	Y	Signal Name [Specification]	
--------------	----	---------------	---	-----------------------------	--

Connector No.	M106
Connector Name	WIRE TO WIRE
Connector Type	TK10MW-NSJ



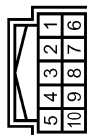
Terminal No.	9	Color of Wire	B	Signal Name [Specification]	
Terminal No.	12	Color of Wire	Y	Signal Name [Specification]	
Terminal No.	13	Color of Wire	P	Signal Name [Specification]	

Connector No.	R1
Connector Name	WIRE TO WIRE
Connector Type	TK10FW-NSJ



Terminal No.	9	Color of Wire	B	Signal Name [Specification]	
Terminal No.	12	Color of Wire	G	Signal Name [Specification]	
Terminal No.	13	Color of Wire	BR	Signal Name [Specification]	

Connector No.	R3
Connector Name	AUTO ANTI-DAZZLING INSIDE MIRROR
Connector Type	THJ06B-NH



Terminal No.	6	Color of Wire	BR	Signal Name [Specification]	IGN
Terminal No.	8	Color of Wire	B	Signal Name [Specification]	GND
Terminal No.	10	Color of Wire	G	Signal Name [Specification]	BAT

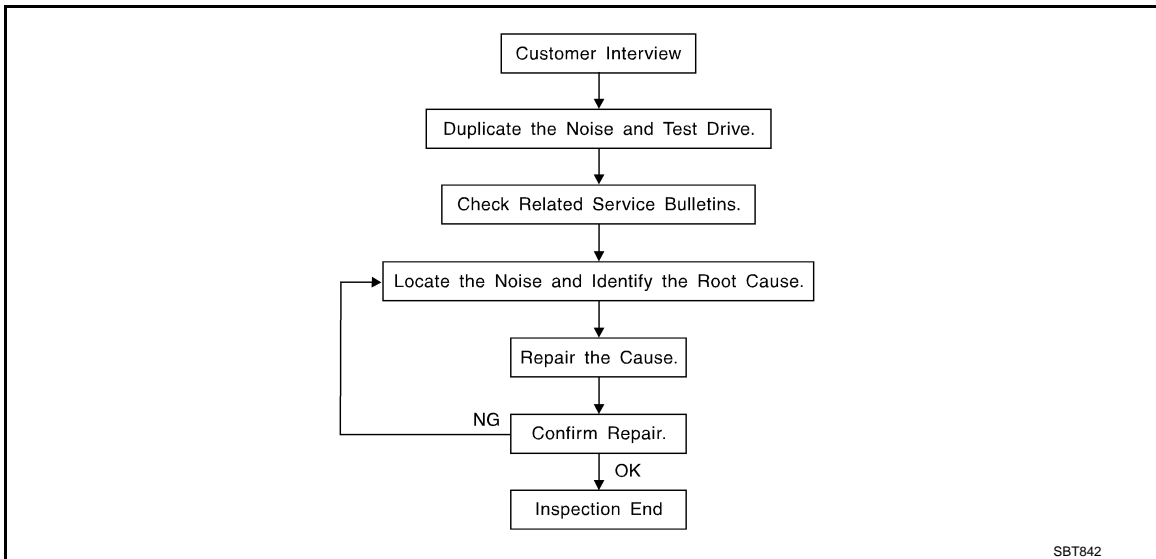
JCLWA0797GB

SYMPTOM DIAGNOSIS

SQUEAK AND RATTLE TROUBLE DIAGNOSES

Work Flow

INFOID:000000002993879



CUSTOMER INTERVIEW

Interview the customer if possible, to determine the conditions that exist when the noise occurs. Use the Diagnostic Worksheet during the interview to document the facts and conditions when the noise occurs and any of customer's comments; refer to [MIR-42. "Diagnostic Worksheet"](#). This information is necessary to duplicate the conditions that exist when the noise occurs.

- The customer may not be able to provide a detailed description or the location of the noise. Attempt to obtain all the facts and conditions that exist when the noise occurs (or does not occur).
- If there is more than one noise in the vehicle, perform a diagnosis and repair the noise that the customer is concerned about. This can be accomplished by performing a cruise test on the vehicle with the customer.
- After identifying the type of noise, isolate the noise in terms of its characteristics. The noise characteristics are provided so the customer, service adviser and technician are all speaking the same language when defining the noise.
- Squeak —(Like tennis shoes on a clean floor)
Squeak characteristics include the light contact/fast movement/brought on by road conditions/hard surfaces=higher pitch noise/softer surfaces=lower pitch noises/edge to surface=chirping
- Creak—(Like walking on an old wooden floor)
Creak characteristics include firm contact/slow movement/twisting with a rotational movement/pitch dependent on materials/often brought on by activity.
- Rattle—(Like shaking a baby rattle)
Rattle characteristics include the fast repeated contact/vibration or similar movement/loose parts/missing clip or fastener/incorrect clearance.
- Knock —(Like a knock on a door)
Knock characteristics include hollow sounding/sometimes repeating/often brought on by driver action.
- Tick—(Like a clock second hand)
Tick characteristics include gentle contacting of light materials/loose components/can be caused by driver action or road conditions.
- Thump—(Heavy, muffled knock noise)
Thump characteristics include softer knock/dead sound often brought on by activity.
- Buzz—(Like a bumblebee)
Buzz characteristics include high frequency rattle/firm contact.
- Often the degree of acceptable noise level will vary depending up on the person. A noise that you may judge as acceptable may be very irritating to the customer.
- Weather conditions, especially humidity and temperature, may have a great effect on noise level.

DUPLICATE THE NOISE AND TEST DRIVE

SQUEAK AND RATTLE TROUBLE DIAGNOSES

< SYMPTOM DIAGNOSIS >

[WITHOUT ADP]

If possible, drive the vehicle with the customer until the noise is duplicated. Note any additional information on the Diagnostic Worksheet regarding the conditions or location of the noise. This information can be used to duplicate the same conditions when you confirm the repair.

If the noise can be duplicated easily during the test drive, to help identify the source of the noise, try to duplicate the noise with the vehicle stopped by doing one or all of the following:

- 1) Close a door.
 - 2) Tap or push/pull around the area where the noise appears to be coming from.
 - 3) Rev the engine.
 - 4) Use a floor jack to recreate vehicle "twist".
 - 5) At idle, apply engine load (electrical load, half-clutch on M/T models, drive position on A/T models).
 - 6) Raise the vehicle on a hoist and hit a tire with a rubber hammer.
- Drive the vehicle and attempt to duplicate the conditions the customer states exist when the noise occurs.
 - If it is difficult to duplicate the noise, drive the vehicle slowly on an undulating or rough road to stress the vehicle body.

CHECK RELATED SERVICE BULLETINS

After verifying the customer concern or symptom, check ASIST for Technical Service Bulletins (TSBs) related to that concern or symptom.

If a TSB relates to the symptom, follow the procedure to repair the noise.

LOCATE THE NOISE AND IDENTIFY THE ROOT CAUSE

1. Narrow down the noise to a general area. To help pinpoint the source of the noise, use a listening tool (Chassis Ear: J-39570, Engine Ear and mechanics stethoscope).
2. Narrow down the noise to a more specific area and identify the cause of the noise by:
 - removing the components in the area that you suspect the noise is coming from.
Do not use too much force when removing clips and fasteners, otherwise clips and fastener can be broken or lost during the repair, resulting in the creation of new noise.
 - tapping or pushing/pulling the component that you suspect is causing the noise.
Do not tap or push/pull the component with excessive force, otherwise the noise will be eliminated only temporarily.
 - feeling for a vibration with your hand by touching the component(s) that you suspect is (are) causing the noise.
 - placing a piece of paper between components that you suspect are causing the noise.
 - looking for loose components and contact marks.
Refer to [MIR-40, "Inspection Procedure"](#).

REPAIR THE CAUSE

- If the cause is a loose component, tighten the component securely.
- If the cause is insufficient clearance between components:
 - separate components by repositioning or loosening and retightening the component, if possible.
 - insulate components with a suitable insulator such as urethane pads, foam blocks, felt cloth tape or urethane tape. A Nissan Squeak and Rattle Kit (J-43980) is available through your authorized Nissan Parts Department.

CAUTION:

Do not use excessive force as many components are constructed of plastic and may be damaged.

NOTE:

Always check with the Parts Department for the latest parts information.

The following materials are contained in the Nissan Squeak and Rattle Kit (J-43980). Each item can be ordered separately as needed.

URETHANE PADS [1.5 mm (0.059 in) thick]

Insulates connectors, harness, etc.

76268-9E005: 100 × 135 mm (3.94 × 5.31 in)/76884-71L01: 60 × 85 mm (2.36 × 3.35 in)/76884-71L02: 15 × 25 mm (0.59 × 0.98 in)

INSULATOR (Foam blocks)

Insulates components from contact. Can be used to fill space behind a panel.

73982-9E000: 45 mm (1.77 in) thick, 50 × 50 mm (1.97 × 1.97 in)/73982-

50Y00: 10 mm (0.39 in) thick, 50 × 50 mm (1.97 × 1.97 in)

INSULATOR (Light foam block)

80845-71L00: 30 mm (1.18 in) thick, 30 × 50 mm (1.18 × 1.97in)

FELT CLOTHTAPE

Used to insulate where movement does not occur. Ideal for instrument panel applications.

SQUEAK AND RATTLE TROUBLE DIAGNOSES

< SYMPTOM DIAGNOSIS >

[WITHOUT ADP]

68370-4B000: 15 × 25 mm (0.59 × 0.98 in) pad/68239-13E00: 5 mm (0.20 in) wide tape roll

The following materials, not found in the kit, can also be used to repair squeaks and rattles.

UHMW (TEFLON) TAPE

Insulates where slight movement is present. Ideal for instrument panel applications.

SILICONE GREASE

Used in place of UHMW tape that will be visible or not fit. Will only last a few months.

SILICONE SPRAY

Use when grease cannot be applied.

DUCT TAPE

Use to eliminate movement.

CONFIRM THE REPAIR

Confirm that the cause of a noise is repaired by test driving the vehicle. Operate the vehicle under the same conditions as when the noise originally occurred. Refer to the notes on the Diagnostic Worksheet.

Inspection Procedure

INFOID:000000002993880

Refer to Table of Contents for specific component removal and installation information.

INSTRUMENT PANEL

Most incidents are caused by contact and movement between:

1. The cluster lid A and instrument panel
2. Acrylic lens and combination meter housing
3. Instrument panel to front pillar garnish
4. Instrument panel to windshield
5. Instrument panel mounting pins
6. Wiring harnesses behind the combination meter
7. A/C defroster duct and duct joint

These incidents can usually be located by tapping or moving the components to duplicate the noise or by pressing on the components while driving to stop the noise. Most of these incidents can be repaired by applying felt cloth tape or silicon spray (in hard to reach areas). Urethane pads can be used to insulate wiring harness.

CAUTION:

Do not use silicone spray to isolate a squeak or rattle. If you saturate the area with silicone, you will not be able to recheck the repair.

CENTER CONSOLE

Components to pay attention to include:

1. Shifter assembly cover to finisher
2. A/C control unit and cluster lid C
3. Wiring harnesses behind audio and A/C control unit

The instrument panel repair and isolation procedures also apply to the center console.

DOORS

Pay attention to the:

1. Finisher and inner panel making a slapping noise
2. Inside handle escutcheon to door finisher
3. Wiring harnesses tapping
4. Door striker out of alignment causing a popping noise on starts and stops

Tapping or moving the components or pressing on them while driving to duplicate the conditions can isolate many of these incidents. You can usually insulate the areas with felt cloth tape or insulator foam blocks from the Nissan Squeak and Rattle Kit (J-43980) to repair the noise.

TRUNK

Trunk noises are often caused by a loose jack or loose items put into the trunk by the owner.

In addition look for:

1. Trunk lid dumpers out of adjustment
2. Trunk lid striker out of adjustment

A
B
C
D
E
F
G
H
I
J
K

MIR

M
N
O
P

SQUEAK AND RATTLE TROUBLE DIAGNOSES

< SYMPTOM DIAGNOSIS >

[WITHOUT ADP]

3. The trunk lid torsion bars knocking together

4. A loose license plate or bracket

Most of these incidents can be repaired by adjusting, securing or insulating the item(s) or component(s) causing the noise.

SUNROOF/HEADLINING

Noises in the sunroof/headlining area can often be traced to one of the following:

1. Sunroof lid, rail, linkage or seals making a rattle or light knocking noise

2. Sunvisor shaft shaking in the holder

3. Front or rear windshield touching headlining and squeaking

Again, pressing on the components to stop the noise while duplicating the conditions can isolate most of these incidents. Repairs usually consist of insulating with felt cloth tape.

SEATS

When isolating seat noise it's important to note the position the seat is in and the load placed on the seat when the noise is present. These conditions should be duplicated when verifying and isolating the cause of the noise.

Cause of seat noise include:

1. Headrest rods and holder

2. A squeak between the seat pad cushion and frame

3. The rear seatback lock and bracket

These noises can be isolated by moving or pressing on the suspected components while duplicating the conditions under which the noise occurs. Most of these incidents can be repaired by repositioning the component or applying urethane tape to the contact area.

UNDERHOOD

Some interior noise may be caused by components under the hood or on the engine wall. The noise is then transmitted into the passenger compartment.

Causes of transmitted underhood noise include:

1. Any component mounted to the engine wall

2. Components that pass through the engine wall

3. Engine wall mounts and connectors

4. Loose radiator mounting pins

5. Hood bumpers out of adjustment

6. Hood striker out of adjustment

These noises can be difficult to isolate since they cannot be reached from the interior of the vehicle. The best method is to secure, move or insulate one component at a time and test drive the vehicle. Also, engine RPM or load can be changed to isolate the noise. Repairs can usually be made by moving, adjusting, securing, or insulating the component causing the noise.

SQUEAK AND RATTLE TROUBLE DIAGNOSES

< SYMPTOM DIAGNOSIS >

[WITHOUT ADP]

Diagnostic Worksheet

INFOID:00000002993881



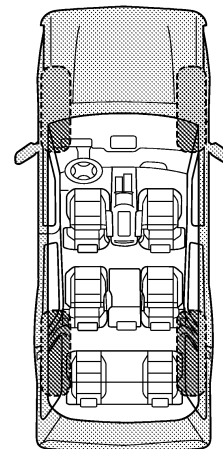
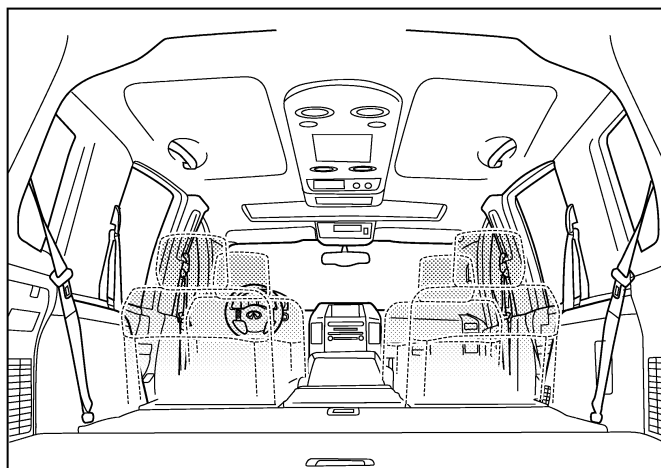
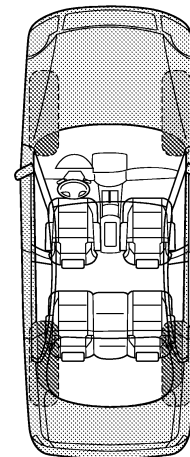
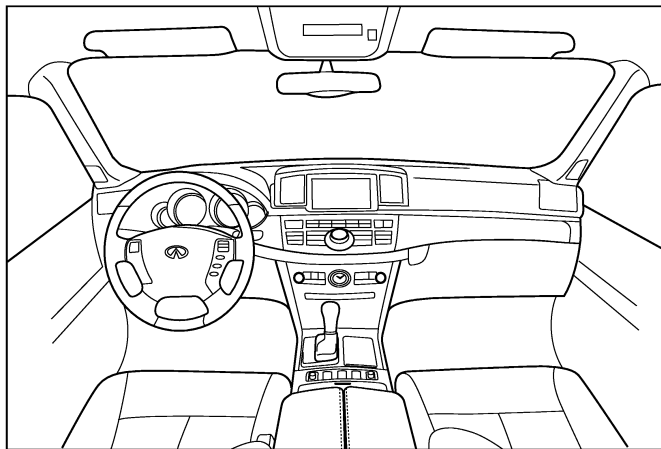
SQUEAK & RATTLE DIAGNOSTIC WORKSHEET

Dear Infiniti Customer:

We are concerned about your satisfaction with your Infiniti vehicle. Repairing a squeak or rattle sometimes can be very difficult. To help us fix your Infiniti right the first time, please take a moment to note the area of the vehicle where the squeak or rattle occurs and under what conditions. You may be asked to take a test drive with a service consultant or technician to ensure we confirm the noise you are hearing.

I. WHERE DOES THE NOISE COME FROM? (circle the area of the vehicle)

The illustrations are for reference only, and may not reflect the actual configuration of your vehicle.



Continue to page 2 of the worksheet and briefly describe the location of the noise or rattle. In addition, please indicate the conditions which are present when the noise occurs.

PIIB8741E

A
B
C
D
E
F
G
H
I
J
K
M
N
O
P

MIR

SQUEAK AND RATTLE TROUBLE DIAGNOSES

< SYMPTOM DIAGNOSIS >

[WITHOUT ADP]

SQUEAK & RATTLE DIAGNOSTIC WORKSHEET - page 2

Briefly describe the location where the noise occurs:

II. WHEN DOES IT OCCUR? (please check the boxes that apply)

- | | |
|---|--|
| <input type="checkbox"/> anytime | <input type="checkbox"/> after sitting out in the rain |
| <input type="checkbox"/> 1st time in the morning | <input type="checkbox"/> when it is raining or wet |
| <input type="checkbox"/> only when it is cold outside | <input type="checkbox"/> dry or dusty conditions |
| <input type="checkbox"/> only when it is hot outside | <input type="checkbox"/> other: |

III. WHEN DRIVING:

- through driveways
- over rough roads
- over speed bumps
- only about ____ mph
- on acceleration
- coming to a stop
- on turns: left, right or either (circle)
- with passengers or cargo
- other: _____
- after driving ____ miles or ____ minutes

IV. WHAT TYPE OF NOISE

- squeak (like tennis shoes on a clean floor)
- creak (like walking on an old wooden floor)
- rattle (like shaking a baby rattle)
- knock (like a knock at the door)
- tick (like a clock second hand)
- thump (heavy, muffled knock noise)
- buzz (like a bumble bee)

TO BE COMPLETED BY DEALERSHIP PERSONNEL

Test Drive Notes:

	YES	NO	Initials of person performing
Vehicle test driven with customer	<input type="checkbox"/>	<input type="checkbox"/>	_____
- Noise verified on test drive	<input type="checkbox"/>	<input type="checkbox"/>	_____
- Noise source located and repaired	<input type="checkbox"/>	<input type="checkbox"/>	_____
- Follow up test drive performed to confirm repair	<input type="checkbox"/>	<input type="checkbox"/>	_____

VIN: _____ Customer Name: _____
W.O.# _____ Date: _____

This form must be attached to Work Order

PIIB8742E

PRECAUTION

PRECAUTIONS

Precaution for Supplemental Restraint System (SRS) "AIR BAG" and "SEAT BELT PRE-TENSIONER"

INFOID:000000002993911

The Supplemental Restraint System such as "AIR BAG" and "SEAT BELT PRE-TENSIONER", used along with a front seat belt, helps to reduce the risk or severity of injury to the driver and front passenger for certain types of collision. This system includes seat belt switch inputs and dual stage front air bag modules. The SRS system uses the seat belt switches to determine the front air bag deployment, and may only deploy one front air bag, depending on the severity of a collision and whether the front occupants are belted or unbelted. Information necessary to service the system safely is included in the "SRS AIR BAG" and "SEAT BELT" of this Service Manual.

WARNING:

- To avoid rendering the SRS inoperative, which could increase the risk of personal injury or death in the event of a collision which would result in air bag inflation, all maintenance must be performed by an authorized NISSAN/INFINITI dealer.
- Improper maintenance, including incorrect removal and installation of the SRS, can lead to personal injury caused by unintentional activation of the system. For removal of Spiral Cable and Air Bag Module, see the "SRS AIR BAG".
- Do not use electrical test equipment on any circuit related to the SRS unless instructed to in this Service Manual. SRS wiring harnesses can be identified by yellow and/or orange harnesses or harness connectors.

PRECAUTIONS WHEN USING POWER TOOLS (AIR OR ELECTRIC) AND HAMMERS

WARNING:

- When working near the Air Bag Diagnosis Sensor Unit or other Air Bag System sensors with the ignition ON or engine running, DO NOT use air or electric power tools or strike near the sensor(s) with a hammer. Heavy vibration could activate the sensor(s) and deploy the air bag(s), possibly causing serious injury.
- When using air or electric power tools or hammers, always switch the ignition OFF, disconnect the battery, and wait at least 3 minutes before performing any service.

A
B
C
D
E
F
G
H
I
J
K
M
N
O
P

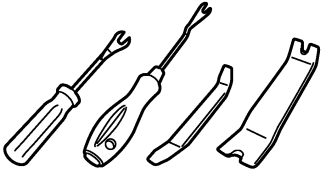
MIR

PREPARATION

PREPARATION

Commercial Service Tools

INFOID:000000002993883

Tool name	Description
Remover tool  JMKIA3050ZZ	Removes the clips, pawls and metal clips

INSIDE MIRROR

< REMOVAL AND INSTALLATION >

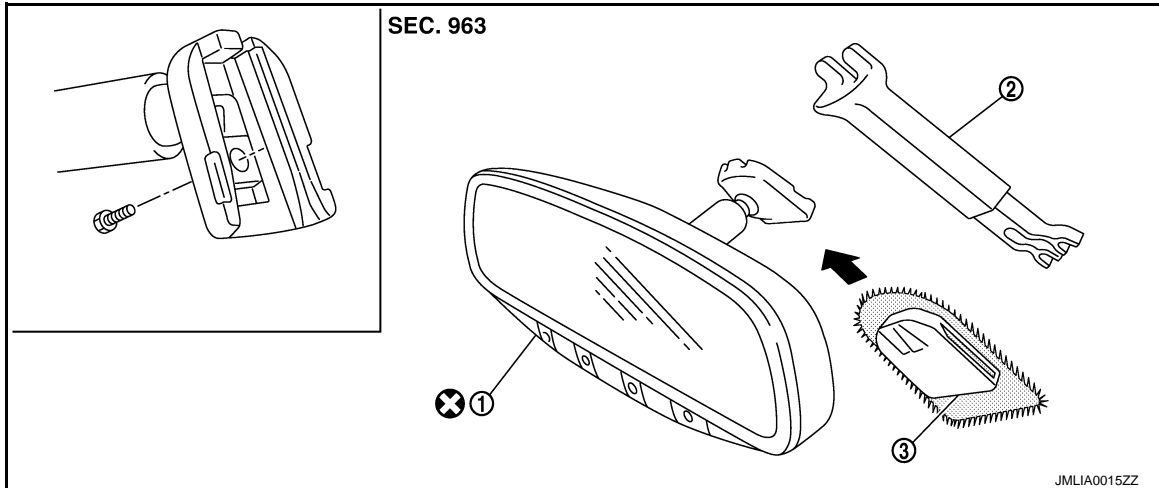
[WITHOUT ADP]

REMOVAL AND INSTALLATION

INSIDE MIRROR

Exploded View

INFOID:000000002993922



1. Inside mirror
2. Inside mirror finisher (if equipped)
3. Mirror base

Refer to [GI-4. "Components"](#) for symbols in the figure.

Removal and Installation

INFOID:000000002993923

REMOVAL

1. Remove inside mirror finisher.
2. Remove nut of mirror base.
3. Slide the mirror upward to remove.
4. Disconnect the connector.

INSTALLATION

Install in the reverse order of removal.

A
B
C
D
E
F
G
H
I
J
K
M
N
O
P

MIR

OUTSIDE MIRROR

< REMOVAL AND INSTALLATION >

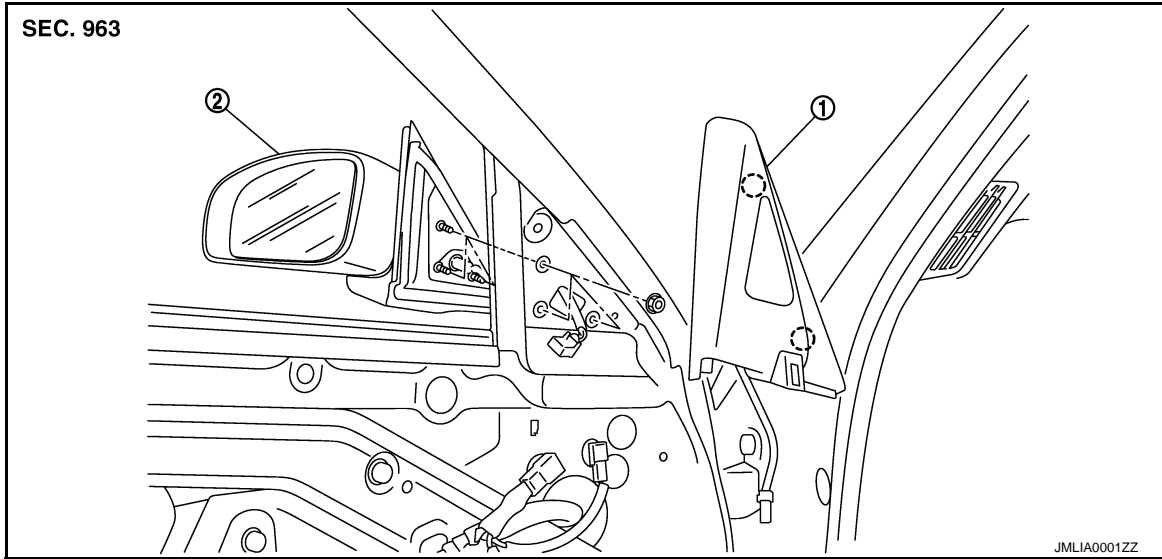
[WITHOUT ADP]

OUTSIDE MIRROR DOOR MIRROR ASSEMBLY

DOOR MIRROR ASSEMBLY : Exploded View

INFOID:000000002993924

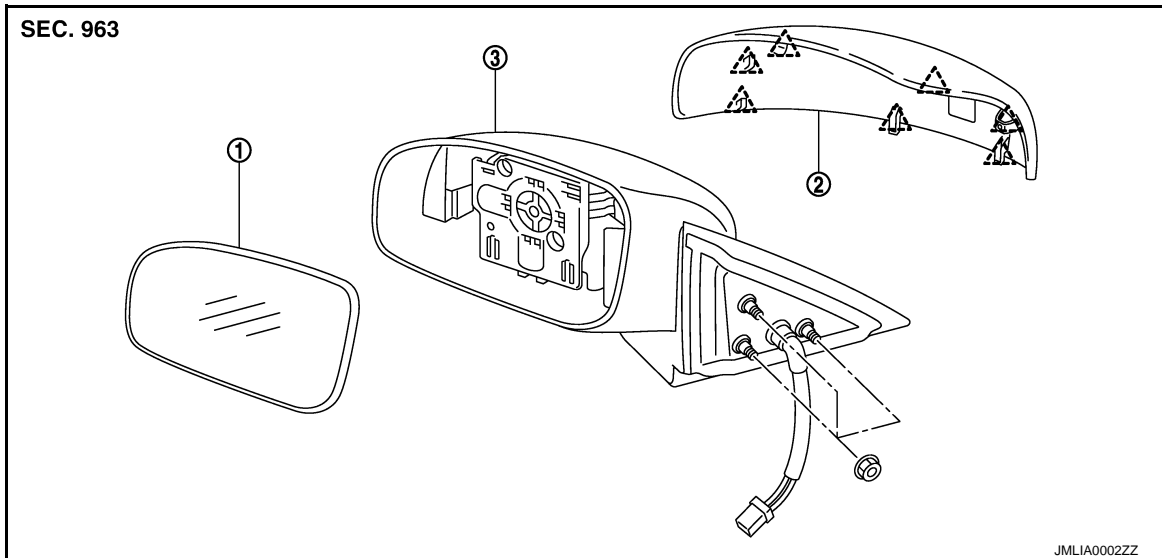
REMOVAL



1. Corner cover
2. Door mirror assembly

○ :Clip

DISASSEMBLY



1. Glass mirror
2. Mirror cover
3. Mirror assembly

△ :Pawl

DOOR MIRROR ASSEMBLY : Removal and Installation

INFOID:000000002993925

REMOVAL

1. Remove the front door finisher. Refer to [INT-11, "Removal and Installation"](#).
2. Remove the corner cover.

OUTSIDE MIRROR

< REMOVAL AND INSTALLATION >

[WITHOUT ADP]

3. Disconnect the door mirror harness connector.
4. Remove the door mirror mounting nuts, and remove the door mirror assembly.

INSTALLATION

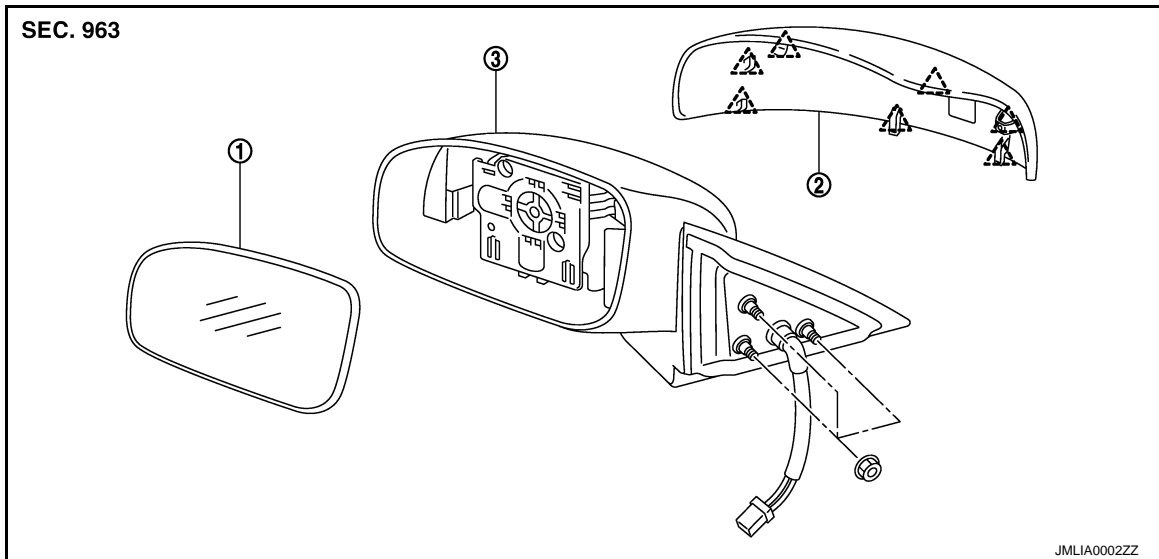
Install in the reverse order of removal.

GLASS MIRROR


GLASS MIRROR : Exploded View

INFOID:000000002993927

DISASSEMBLY



1. Glass mirror
2. Mirror cover
3. Mirror assembly

 :Pawl

GLASS MIRROR : Disassembly and Assembly

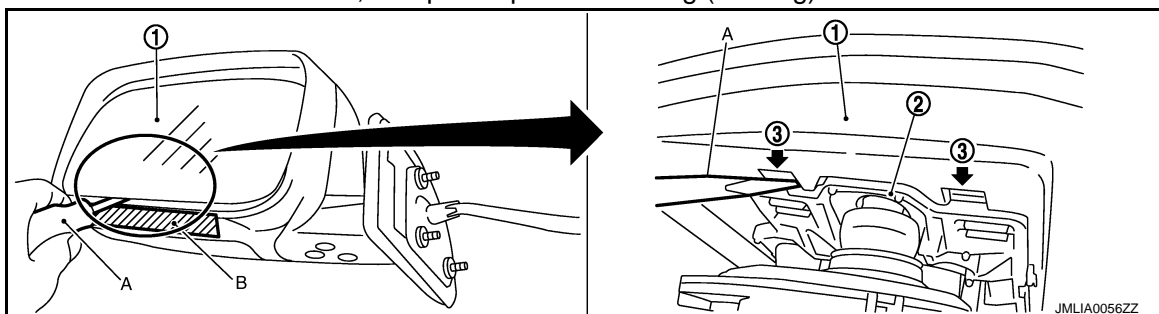
INFOID:000000002993928

DISASSEMBLY

1. Remove the pawls and disassemble the base cover.
2. Place the glass mirror upward.
3. Put a strip of protective tape (B) on housing assembly.
4. As shown in the figure, insert a small slotted screwdriver (A) into the recess between glass mirror (1) and actuator (2). Push up both pawls (3) simultaneously to remove glass mirror lower half side.

NOTE:

Insert screwdriver into recesses, and push up while rotating (twisting) to make work easier.



5. Remove two terminals of mirror heater attachment.
6. Lightly lift up lower side of glass mirror, and detach both pawls of upper side as if pulling it out. Disassemble glass mirror from actuator.

NOTE:

Be certain not to allow grease on sealing agent in center of mirror or back side of glass mirror.

OUTSIDE MIRROR

< REMOVAL AND INSTALLATION >

[WITHOUT ADP]

ASSEMBLY

Assemble in the reverse order of disassemble.

CAUTION:

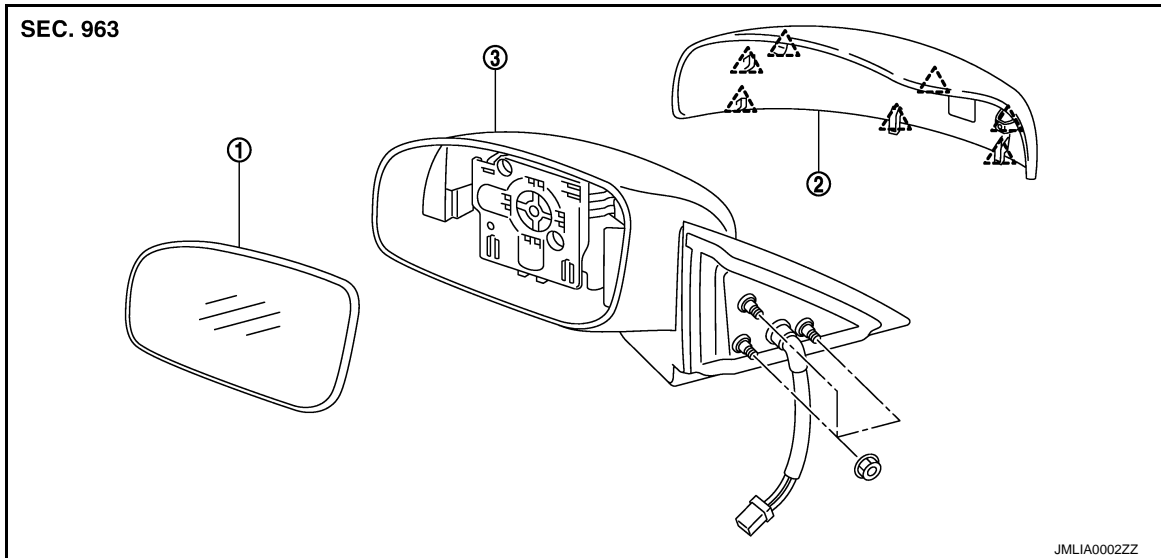
After installation, visually check that pawls are securely engaged.

DOOR MIRROR COVER

DOOR MIRROR COVER : Exploded View

INFOID:000000002993929

DISASSEMBLY



1. Glass mirror

2. Mirror cover

3. Mirror assembly

△ :Pawl

DOOR MIRROR COVER : Disassembly and Assembly

INFOID:000000002993931

CAUTION:

Do not damage the mirror bodies.

DISASSEMBLY

1. Remove the glass mirror. Refer to [MIR-67, "GLASS MIRROR : Disassembly and Assembly"](#).
2. Remove the pawls, and disassemble the door mirror cover from the mirror assembly.

ASSEMBLY

Install in the reverse order of removal.

CAUTION:

After installation, visually check that pawls are securely engaged.

DOOR MIRROR REMOTE CONTROL SWITCH

< REMOVAL AND INSTALLATION >

[WITHOUT ADP]

DOOR MIRROR REMOTE CONTROL SWITCH

Exploded View

INFOID:000000002995049

Refer to [INT-11, "Exploded View"](#)

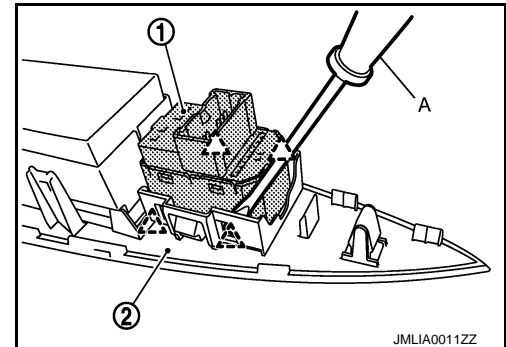
Removal and Installation

INFOID:000000002995050

REMOVAL

1. Remove the power window main switch finisher (2). Refer to [PWC-114, "Removal and Installation"](#)
2. Remove door mirror remote control switch (1) from power window main switch finisher (2) using screwdriver (A).

 : Pawl



INSTALLATION

Install in the reverse order of removal.

A
B
C
D
E
F
G
H
I
J
K
L
M
N
O
P

MIR