

SECTION HAC

HEATER & AIR CONDITIONING CONTROL SYSTEM

CONTENTS

AUTOMATIC AIR CONDITIONER		
BASIC INSPECTION	4	
DIAGNOSIS AND REPAIR WORKFLOW	4	
Work Flow	4	
INSPECTION AND ADJUSTMENT	7	
Description & Inspection	7	
Temperature Setting Trimmer	9	
Foot Position Setting Trimmer	10	
Inlet Port Memory Function	11	
WITH ACCS	11	
WITH ACCS : Gas Sensor Sensitivity Adjustment Function	11	
WITH ACCS : Auto Intake Interlocking Movement Change Function	12	
SYSTEM DESCRIPTION	13	
COMPRESSOR CONTROL FUNCTION	13	
Description	13	
Fail-safe	13	
Component Part Location	14	
Component Description	17	
AUTOMATIC AIR CONDITIONER SYSTEM	18	
System Diagram	18	
System Description	18	
Component Part Location	26	
Component Description	29	
ACCS (ADVANCE CLIMATE CONTROL SYSTEM)	30	
System Diagram	30	
System Description	30	
Component Part Location	32	
Component Description	33	
CAN COMMUNICATION SYSTEM	34	
System Description	34	
MODE DOOR CONTROL SYSTEM	35	
System Diagram	35	
System Description	35	
AIR MIX DOOR CONTROL SYSTEM	37	
System Diagram	37	
System Description	37	
INTAKE DOOR CONTROL SYSTEM	39	
System Diagram	39	
System Description	39	
BLOWER MOTOR CONTROL SYSTEM	41	
System Diagram	41	
System Description	41	
MAGNET CLUTCH CONTROL SYSTEM	43	
System Diagram	43	
System Description	43	
DIAGNOSIS SYSTEM (UNIFIED METER & A/ C AMP.)	44	
Diagnosis Description	44	
DTC/CIRCUIT DIAGNOSIS	49	
POWER SUPPLY AND GROUND CIRCUIT	49	
UNIFIED METER AND A/C AMP.	49	
UNIFIED METER AND A/C AMP. : Diagnosis Pro- cedure	49	
UNIFIED METER AND A/C AMP.	50	
Description	50	
Component Function Check	50	
Diagnosis Procedure	50	
MODE DOOR MOTOR	51	
Description	51	
Component Function Check	51	
Diagnosis Procedure	51	
AIR MIX DOOR MOTOR (DRIVER SIDE)	53	

A
B
C
D
E
F
G
H
HAC
J
K
L
M
N
O
P

Description	53	Component Function Check	80
Component Function Check	53	Diagnosis Procedure	80
Diagnosis Procedure	53		
AIR MIX DOOR MOTOR (PASSENGER SIDE)	55	ECU DIAGNOSIS INFORMATION	82
Description	55	ECM	82
Component Function Check	55	Reference Value	82
Diagnosis Procedure	55	UNIFIED METER AND A/C AMP.	98
INTAKE DOOR MOTOR	57	Reference Value	98
Description	57	Wiring Diagram - AIR CONDITIONER CONTROL	
Component Function Check	57	SYSTEM -	107
Diagnosis Procedure	57	Fail-safe	115
BLOWER MOTOR	59	SYMPTOM DIAGNOSIS	117
Description	59	AIR CONDITIONER CONTROL	117
Component Function Check	59	Diagnosis Chart By Symptom	117
Diagnosis Procedure	59	INSUFFICIENT COOLING	118
Component Inspection	61	Description	118
MAGNET CLUTCH	62	Inspection procedure	118
Description	62	INSUFFICIENT HEATING	120
Component Function Check	62	Description	120
Diagnosis Procedure	62	Inspection procedure	120
ECV (ELECTRICAL CONTROL VALVE)	64	NOISE	122
Description	64	Description	122
Diagnosis Procedure	64	Inspection procedure	122
AMBIENT SENSOR	66	SELF-DIAGNOSIS CANNOT BE PER-	FORMED
Description	66	Description	124
Component Function Check	66	Inspection procedure	124
Diagnosis Procedure	66	MEMORY FUNCTION DOES NOT OPERATE.	125
Component Inspection	67	Description	125
IN-VEHICLE SENSOR	69	Inspection procedure	125
Description	69	PRECAUTION	126
Component Function Check	69	PRECAUTIONS	126
Diagnosis Procedure	69	Precaution for Supplemental Restraint System	
Component Inspection	70	(SRS) "AIR BAG" and "SEAT BELT PRE-TEN-	
SUNLOAD SENSOR	72	SIONER"	126
Description	72	Service Procedure Precautions for Models with a	
Component Function Check	72	Pop-up Roll Bar	126
Diagnosis Procedure	72	Precaution Necessary for Steering Wheel Rota-	
Component Inspection	73	tion after Battery Disconnect	126
INTAKE SENSOR	75	Precaution for Battery Service	127
Description	75	REMOVAL AND INSTALLATION	128
Component Function Check	75	PRESET SWITCH	128
Diagnosis Procedure	75	Exploded View	128
Component Inspection	76	Removal and Installation	128
GAS SENSOR	77	UNIFIED METER AND A/C AMP.	129
Description	77	Exploded View	129
Component Function Check	77	Removal and Installation	129
Diagnosis Procedure	77		
IONIZER	80		
Description	80		

AMBIENT SENSOR	130	REFRIGERANT PRESSURE SENSOR	135	
Exploded View	130	Exploded View	135	A
Removal and Installation	130	Removal and Installation	135	
IN-VEHICLE SENSOR	131	DOOR MOTOR	136	B
Exploded View	131	Exploded View	136	
Removal and Installation	131	MODE DOOR MOTOR	136	C
SUNLOAD SENSOR	132	MODE DOOR MOTOR : Removal and Installation.	136	
Exploded View	132	AIR MIX DOOR MOTOR	136	D
Removal and Installation	132	AIR MIX DOOR MOTOR : Removal and Installation	137	
INTAKE SENSOR	133	INTAKE DOOR MOTOR	137	E
Exploded View	133	INTAKE DOOR MOTOR : Removal and Installation	137	
Removal and Installation	133	IONIZER	138	F
GAS SENSOR	134	Exploded View	138	
Exploded View	134	Removal and Installation	138	G
Removal and Installation	134			H
				HAC
				J
				K
				L
				M
				N
				O
				P

DIAGNOSIS AND REPAIR WORKFLOW

< BASIC INSPECTION >

[AUTOMATIC AIR CONDITIONER]

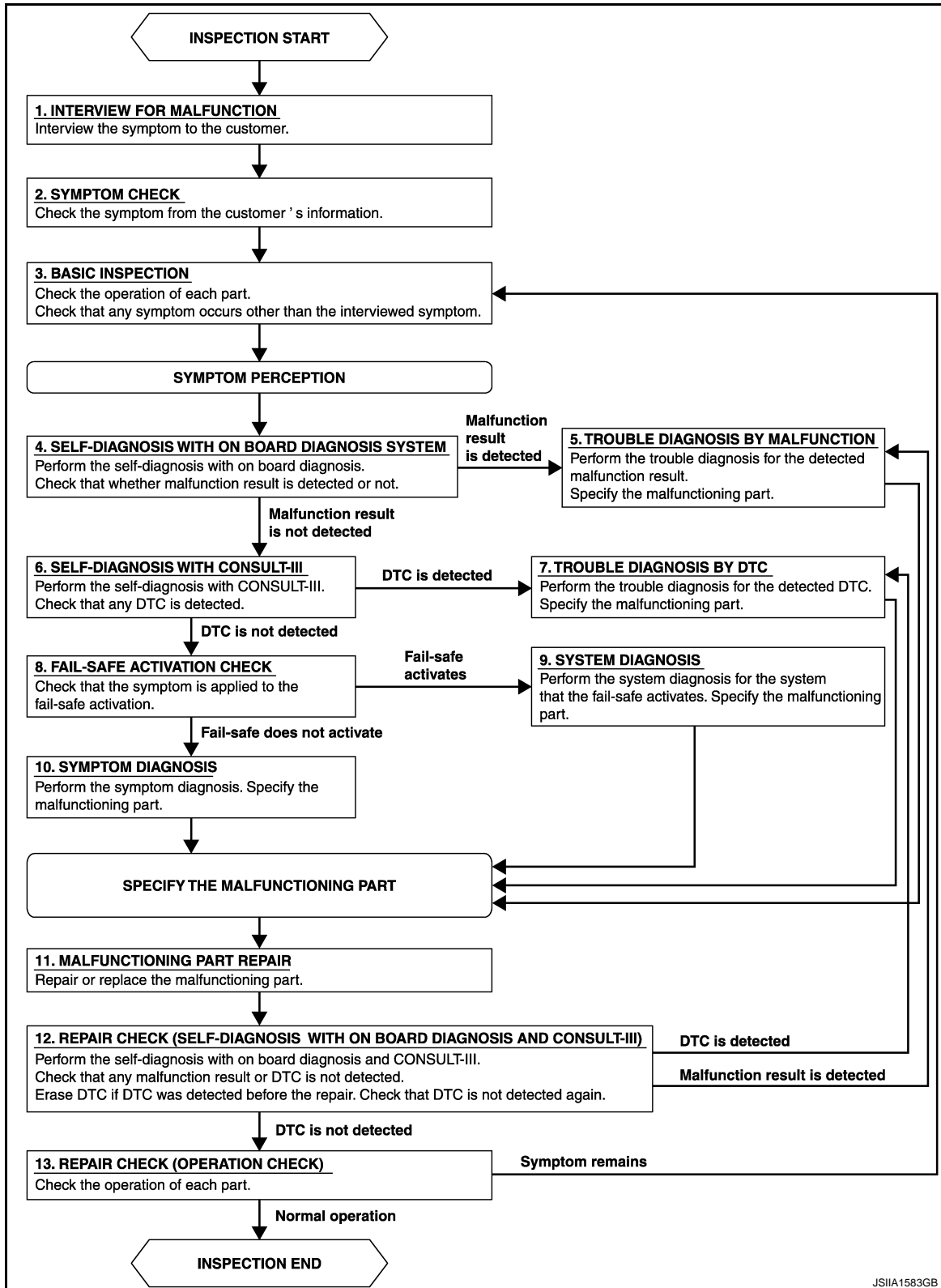
BASIC INSPECTION

DIAGNOSIS AND REPAIR WORKFLOW

Work Flow

INFOID:000000005630995

OVERALL SEQUENCE



JSIIA1583GB

DETAILED FLOW

DIAGNOSIS AND REPAIR WORKFLOW

[AUTOMATIC AIR CONDITIONER]

< BASIC INSPECTION >

1. INTERVIEW FOR MALFUNCTION

Interview the symptom to the customer.

>> GO TO 2.

2. SYMPTOM CHECK

Check the symptom from the customer's information.

>> GO TO 3.

3. BASIC INSPECTION

Check the operation of each part. Check that any symptom occurs other than the interviewed symptom.

>> GO TO 4.

4. SELF-DIAGNOSIS WITH ON BOARD DIAGNOSIS SYSTEM

Perform the self-diagnosis with on board diagnosis. Check that whether malfunction result is detected or not.

Is malfunction result detected?

YES >> GO TO 5.

NO >> GO TO 6.

5. TROUBLE DIAGNOSIS BY MALFUNCTION

Perform the trouble diagnosis for the detected malfunction result. Specify the malfunctioning part.

>> GO TO 11.

6. SELF-DIAGNOSIS WITH CONSULT-III

Perform the self-diagnosis with CONSULT-III. Check that any DTC is detected.

Is any DTC detected?

YES >> GO TO 7.

NO >> GO TO 8.

7. TROUBLE DIAGNOSIS BY DTC

Perform the trouble diagnosis for the detected DTC. Specify the malfunctioning part.

>> GO TO 11.

8. FAIL-SAFE ACTIVATION CHECK

Check that the symptom is applied to the fail-safe activation.

Does the fail-safe activate?

YES >> GO TO 9.

NO >> GO TO 10.

9. SYSTEM DIAGNOSIS

Perform the system diagnosis for the system that the fail-safe activates. Specify the malfunctioning part.

>> GO TO 11.

10. SYMPTOM DIAGNOSIS

Perform the symptom diagnosis. Specify the malfunctioning part.

>> GO TO 11.

11. MALFUNCTION PART REPAIR

Repair or replace the malfunctioning part.

A

B

C

D

E

F

G

H

HAC

J

K

L

M

N

O

P

DIAGNOSIS AND REPAIR WORKFLOW

< BASIC INSPECTION >

[AUTOMATIC AIR CONDITIONER]

>> GO TO 12.

12. REPAIR CHECK (SELF-DIAGNOSIS WITH ON BOARD DIAGNOSIS AND CONSULT-III)

Perform the self-diagnoses with on board diagnosis and CONSULT-III. Check that any malfunction result or DTC is not detected. Erase DTC if DTC was detected before the repair. Check that DTC is not detected again.

Are any malfunction result and DTC detected?

YES-1 >> If any malfunction results are detected. GO TO 5.

YES-2 >> If any DTCs are detected. GO TO 7.

NO >> GO TO 13.

13. REPAIR CHECK (OPERATION CHECK)

Check the operation of each part.

Does it operate normally?

YES >> INSPECTION END

NO >> GO TO 3.

INSPECTION AND ADJUSTMENT

< BASIC INSPECTION >

[AUTOMATIC AIR CONDITIONER]

INSPECTION AND ADJUSTMENT

Description & Inspection

INFOID:000000005630996

DESCRIPTION

The purpose of the operational check is to check that the individual system operates normally.

Conditions : Engine running at normal operating temperature

INSPECTION PROCEDURE

1.CHECK MEMORY FUNCTION

1. Turn the ignition switch ON.
2. Turn temperature control dial (driver side) clockwise until 32°C (90°F) is displayed.
3. Press the OFF switch.
4. Turn the ignition switch OFF.
5. Turn the ignition switch ON.
6. Press the AUTO switch.
7. Check that the temperature setting before turning the ignition switch OFF is stored.

Is the inspection result normal?

YES >> GO TO 2.

NO >> Memory function malfunction: [HAC-125, "Inspection procedure"](#).

2.CHECK THE BLOWER MOTOR SPEED

1. Start the engine.
2. Press fan (UP:+) switch. Check that the fan speed changes. Check the operation for all fan speeds.
3. Set the fan speed to max speed.

Is the inspection result normal?

YES >> GO TO 3.

NO >> Blower motor system malfunction: [HAC-59, "Diagnosis Procedure"](#).

3.CHECK DISCHARGE AIR

1. Press the MODE switch and the DEF switch.
2. Check that the air outlets change according to each indicated air outlet by placing a hand in front of the outlets. Refer to [VTL-5, "System Description"](#).

Is the inspection result normal?

YES-1 >> GO TO 4. (WITHOUT ACCS)

YES-2 >> GO TO 5. (WITH ACCS)

NO >> Mode door system malfunction: [HAC-51, "Diagnosis Procedure"](#).

4.CHECK INTAKE AIR (WITHOUT ACCS)

1. Press intake switch. REC indicator turns ON.
2. Press intake switch again. FRE indicator turns ON.
3. Listen for intake door position change. (Slight change of blower sound can be heard.)

NOTE:

Confirm that the compressor clutch is engaged (sound or visual inspection) and the intake door position is at FRE when D/F or DEF is selected.

Is the inspection result normal?

YES >> GO TO 6.

NO >> Intake door system malfunction: [HAC-57, "Diagnosis Procedure"](#).

5.CHECK INTAKE AIR (WITH ACCS)

1. Press AUTO switch. AUTO INTAKE indicator and REC indicator turns ON (auto intake mode).
2. Press intake switch. AUTO INTAKE indicator and REC indicator turns OFF (fixed FRE mode).
3. Press intake switch again. REC indicator turns ON (fixed REC mode).
4. Press intake switch again. AUTO INTAKE indicator and REC indicator turns ON (auto intake mode).
5. Listen for intake door position change. (Slight change of blower sound can be heard.)

NOTE:

INSPECTION AND ADJUSTMENT

< BASIC INSPECTION >

[AUTOMATIC AIR CONDITIONER]

Confirm that the compressor clutch is engaged (sound or visual inspection) and the intake door position is at FRE when D/F or DEF is selected.

Is the inspection result normal?

YES >> GO TO 6.

NO >> Intake door system malfunction: [HAC-57. "Diagnosis Procedure"](#).

6. CHECK A/C SWITCH

1. Press the A/C switch.
2. A/C switch indicator turns ON.
Confirm that the compressor clutch engages (sound or visual inspection).

Is the inspection result normal?

YES >> GO TO 7.

NO >> Magnet clutch system malfunction: [HAC-59. "Diagnosis Procedure"](#).

7. CHECK WITH TEMPERATURE SETTING LOWERED

1. Turn temperature control dial (driver side) counterclockwise until 18°C (60°F) is displayed.
2. Check that the cool air blows from the outlets.

Is the inspection result normal?

YES >> GO TO 8.

NO >> Insufficient cooling: [HAC-118. "Inspection procedure"](#).

8. CHECK WITH TEMPERATURE SETTING RAISED

1. Turn temperature control dial (driver side) clockwise until 32°C (90°F) is displayed.
2. Check that the warm air blows from the outlets.

Is the inspection result normal?

YES >> GO TO 9.

NO >> Insufficient heating: [HAC-120. "Inspection procedure"](#).

9. CHECK LEFT AND RIGHT VENTILATION TEMPERATURE SEPARATELY CONTROL SYSTEM FUNCTION

1. Press the DUAL switch, and then check that "DUAL" is shown on the display.
2. Operate temperature control dial (driver side). Check that the discharge air temperature (driver side) changes.
3. Operate the temperature control dial (passenger side). Check that the discharge air temperature (passenger side) changes.
4. Press the DUAL switch, and then check that the temperature setting (LH/RH) is unified to the driver side temperature setting.

Is the inspection result normal?

YES >> GO TO 10.

NO >> Refer to [HAC-117. "Diagnosis Chart By Symptom"](#) and perform the appropriate diagnosis.

10. CHECK AUTO MODE

1. Press the AUTO switch, and then check that "AUTO" is shown on the display.
2. Check that the discharge air and blower speed depend on ambient temperature, in-vehicle temperature and temperature setting.

Is the inspection result normal?

YES-1 >> INSPECTION END (WITHOUT ACCS)

YES-2 >> GO TO 11. (WITH ACCS)

NO >> Refer to [HAC-117. "Diagnosis Chart By Symptom"](#) and perform the appropriate diagnosis.

11. CHECK PLASMA CLUSTER ION CONTROL FUNCTION (WITH ACCS)

1. Turn ignition switch OFF and restart the engine.
2. Ion indicator (blue) is shown on the display.
3. Press OFF switch.
4. Ion indicator is turned OFF.

Is the inspection result normal?

YES >> GO TO 12.

NO >> Refer to [HAC-80. "Diagnosis Procedure"](#).

INSPECTION AND ADJUSTMENT

< BASIC INSPECTION >

[AUTOMATIC AIR CONDITIONER]

12. CHECK ION CONTROL MODE (WITH ACCS)

1. Turn ignition switch OFF and restart the engine.
2. Operate fan control dial to the blower fan lowest speed and highest speed. Check display of ion indicator each time blower fan is at lowest and at highest speed.

When blower fan speed is at lowest speed: CLEAN

When blower fan speed is at highest speed: QUICK CLEAN

Is the inspection result normal?

YES >> INSPECTION END

NO >> Replace unified meter and A/C amp.

Temperature Setting Trimmer

INFOID:000000005630997

DESCRIPTION

The trimmer compensates for differences in range of $\pm 3^{\circ}\text{C}$ ($\pm 6^{\circ}\text{F}$) between temperature setting (displayed digitally) and temperature felt by customer.

Operating procedures for this trimmer are as per the following:

1. Begin self-diagnosis STEP-5 mode. Refer to [HAC-44, "Diagnosis Description"](#).
2. Press fan (UP: +) switch to set system in auxiliary mode.
3. Display shows "61" in auxiliary mechanism. It takes approximately 3 seconds to enable setting operation.
4. Turn temperature control dial (driver side) as desired. Temperature will change at a rate of 0.5°C (1.0°F) each time a dial is turned.

CAUTION:

A
B
C
D
E
F
G
H
J
K
L
M
N
O
P

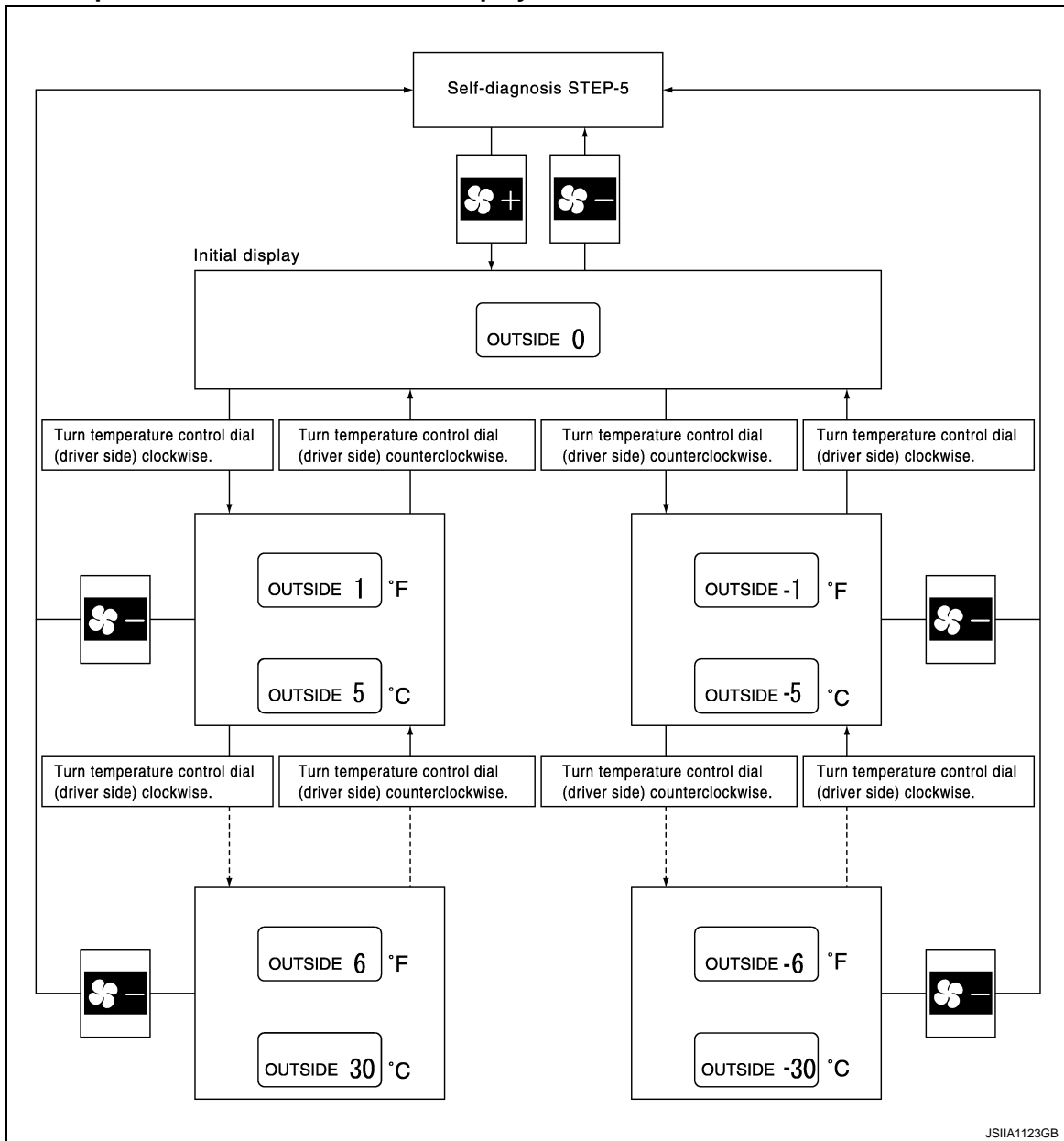
HAC

INSPECTION AND ADJUSTMENT

< BASIC INSPECTION >

[AUTOMATIC AIR CONDITIONER]

A decimal point is not indicated on the display.



NOTE:

When battery cable is disconnected or battery voltage is below 10 V, trimmer operation is canceled. Temperature set becomes that of initial condition, i.e. 0°C (0°F).

Foot Position Setting Trimmer

INFOID:000000005630998

DESCRIPTION

Wind distribution ratio in FOOT mode can be set.


Operating procedures for this trimmer are as per the following:

1. Begin self-diagnosis STEP-5 mode. Refer to [HAC-44, "Diagnosis Description"](#).
2. Press fan (UP:+) switch to set system in auxiliary mode.
3. Press mode switch as desired.

INSPECTION AND ADJUSTMENT

< BASIC INSPECTION >

[AUTOMATIC AIR CONDITIONER]

Display	Defroster door position	
	Automatically controls the FOOT mode	Manually controls the FOOT mode
 (Initial setting)	OPEN	OPEN
	OPEN	CLOSE
	CLOSE	OPEN
	CLOSE	CLOSE

NOTE:

When battery cable is disconnected or battery voltage is below 10 V, trimmer operation is canceled. Wind distribution ratio set becomes that of initial condition.

Inlet Port Memory Function

INFOID:0000000005630999

DESCRIPTION

When ignition switch is turned from OFF to ON, inlet port can be set to AUTO or manual.

Operating procedures for this trimmer are as per the following:

1. Begin self-diagnosis STEP-5 mode. Refer to [HAC-44. "Diagnosis Description"](#).
2. Press fan (UP:+) switch to set system in auxiliary mode.
3. Press intake switch as desired.

AUTO INTAKE indicator	REC indicator	Setting status		Setting changeover method
		FRE	REC	
OFF	ON	AUTO control (Initial setting)	Manual REC status is memorized. (Initial setting)	Intake switch: ON
ON	ON	Manual FRE status is memorized.	Manual REC status is memorized.	
ON	OFF	Manual FRE status is memorized.	AUTO control	
OFF	OFF	AUTO control	AUTO control	

NOTE:

When battery cable is disconnected or battery voltage is below 10 V, memory function is canceled. Memory function set becomes that of initial condition.

WITH ACCS

WITH ACCS : Gas Sensor Sensitivity Adjustment Function

INFOID:0000000005631000

DESCRIPTION

According to customer's sense of smell, gas sensor sensitivity can be changed.

Operating procedures for this trimmer are as follows:

1. Begin self-diagnosis STEP-5 mode. Refer to [HAC-44. "Diagnosis Description"](#).
2. Press fan (UP: +) switch two times to set system in auxiliary mode.
3. Turn temperature control dial (driver side) as desired.

Display	Setting
71	Less sensitive setting than display 72 setting (the change to REC is later than display 72 operation)
72	Less sensitive setting than normal setting (the change to REC is later than normal operation)
73	Normal (Initial setting)
74	More sensitive setting than normal setting (the change to REC is earlier than normal operation)
75	More sensitive setting than display 74 setting (the change to REC is earlier than display 74 operation)

NOTE:

INSPECTION AND ADJUSTMENT

< BASIC INSPECTION >

[AUTOMATIC AIR CONDITIONER]

When battery cable is disconnected or battery voltage is below 10 V, Gas sensor sensitivity adjustment function is canceled. Gas sensor sensitivity adjustment function set becomes that of initial condition.

WITH ACCS : Auto Intake Interlocking Movement Change Function

INFOID:000000005631001

DESCRIPTION

Conditions for interlocking movement of intake switch (auto intake mode) and A/C switch can be changed. In addition, operation of the intake switch, which activates the auto intake control system, can be set to become available when the A/C switch is ON.

Operating procedures for this trimmer are as follows:

1. Begin self-diagnosis STEP-5 mode. Refer to [HAC-44. "Diagnosis Description"](#).
2. Press fan (UP:+) switch three times to set system in auxiliary mode.
3. Press A/C switch and intake switch as desired.

A/C indicator	AUTO IN-TAKE indicator	Setting status
ON	ON	A/C switch indicator turns ON automatically when auto intake mode is selected with Intake switch. Auto intake mode continues after A/C switch turns OFF.
OFF	ON	A/C switch indicator stays OFF when auto intake mode is selected with Intake switch. Auto intake mode continues after A/C switch turns OFF.
ON	OFF	A/C switch indicator turns ON automatically when auto intake mode is selected with Intake switch. When A/C switch turns OFF, auto intake mode turns OFF automatically. (Initial setting)
OFF	OFF	Auto intake mode can be set only when A/C switch is ON. When A/C switch turns OFF, auto intake mode turns OFF automatically.

NOTE:

When battery cable is disconnected or battery voltage is below 10 V, auto intake interlocking movement change function is canceled. Auto intake interlocking movement change function set becomes that of initial condition.

COMPRESSOR CONTROL FUNCTION

< SYSTEM DESCRIPTION >

[AUTOMATIC AIR CONDITIONER]

SYSTEM DESCRIPTION

COMPRESSOR CONTROL FUNCTION

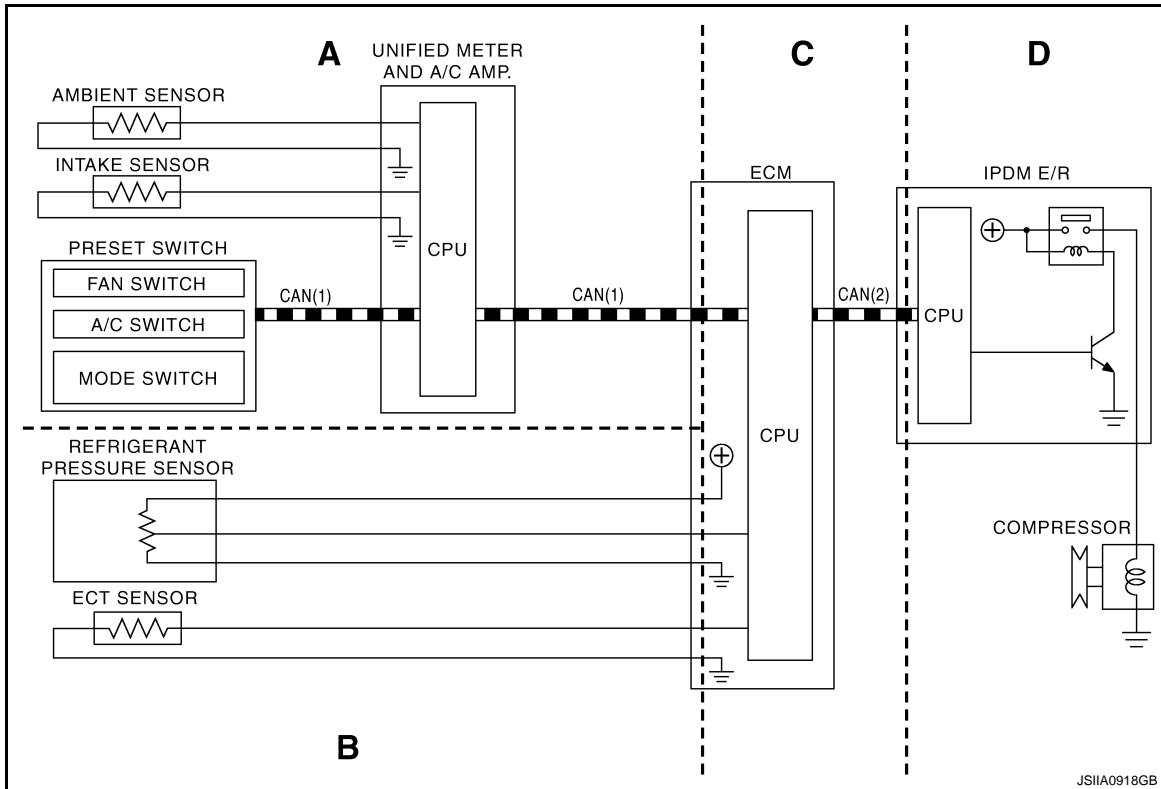
Description

INFOID:000000005631002

PRINCIPLE OF OPERATION

Compressor is not activated.

Functional circuit diagram



CAN(1) : A/C switch signal
: Blower fan motor switch signal

CAN(2) : A/C compressor request signal

Functional initial inspection chart

Control unit	Diagnosis Item	Location			
		A	B	C	D
Unified meter and A/C amp.	Self-diagnosis function	×	—	—	—
ECM	⊕“ENGINE” Self-diagnosis (CAN system diagnosis)	—	—	×	—
	Data monitor	×	×	×	—
IPDM E/R	⊕“IPDM E/R” Self-diagnosis (CAN system diagnosis)	—	—	—	×
	Data monitor	—	—	×	—
	Auto active test	—	—	—	×

Fail-safe

INFOID:000000005631003

FAIL-SAFE FUNCTION

If a communication error exists between the unified meter and A/C amp., and the AV control unit and preset switch for 30 seconds or longer, air conditioner is controlled under the following conditions:

COMPRESSOR CONTROL FUNCTION

< SYSTEM DESCRIPTION >

[AUTOMATIC AIR CONDITIONER]

Compressor	: ON
Air outlet	: AUTO
Air inlet	: FRE (Fresh)
Fan speed	: AUTO
Set temperature	: Setting before communication error occurs

Component Part Location

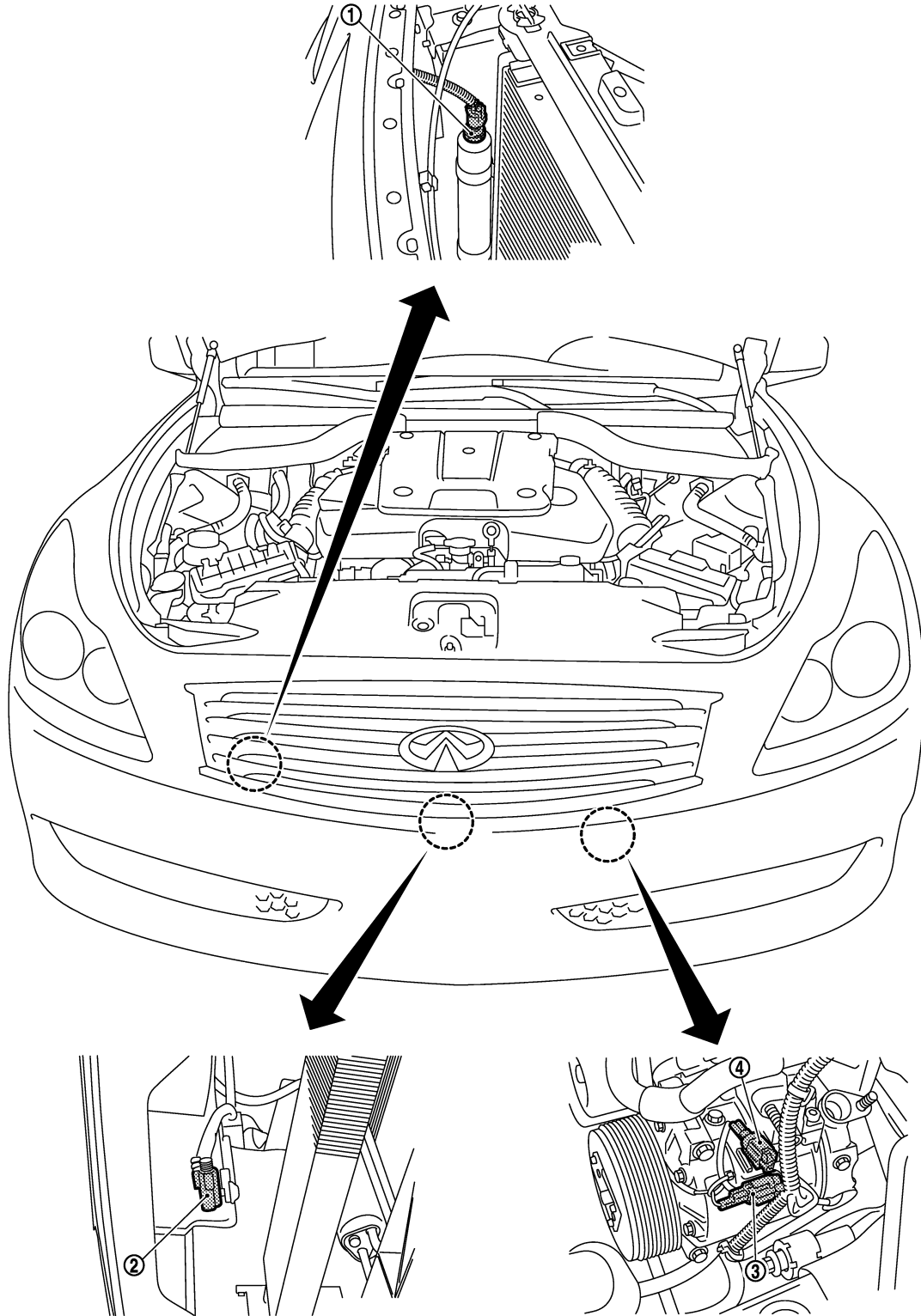
INFOID:000000005631004

ENGINE COMPARTMENT

COMPRESSOR CONTROL FUNCTION

< SYSTEM DESCRIPTION >

[AUTOMATIC AIR CONDITIONER]



A
B
C
D
E
F
G
H
HAC
J
K
L
M
N
O
P

- 1. Refrigerant pressure sensor
- 2. Ambient sensor
- 3. Magnet clutch connector
- 4. ECV connector

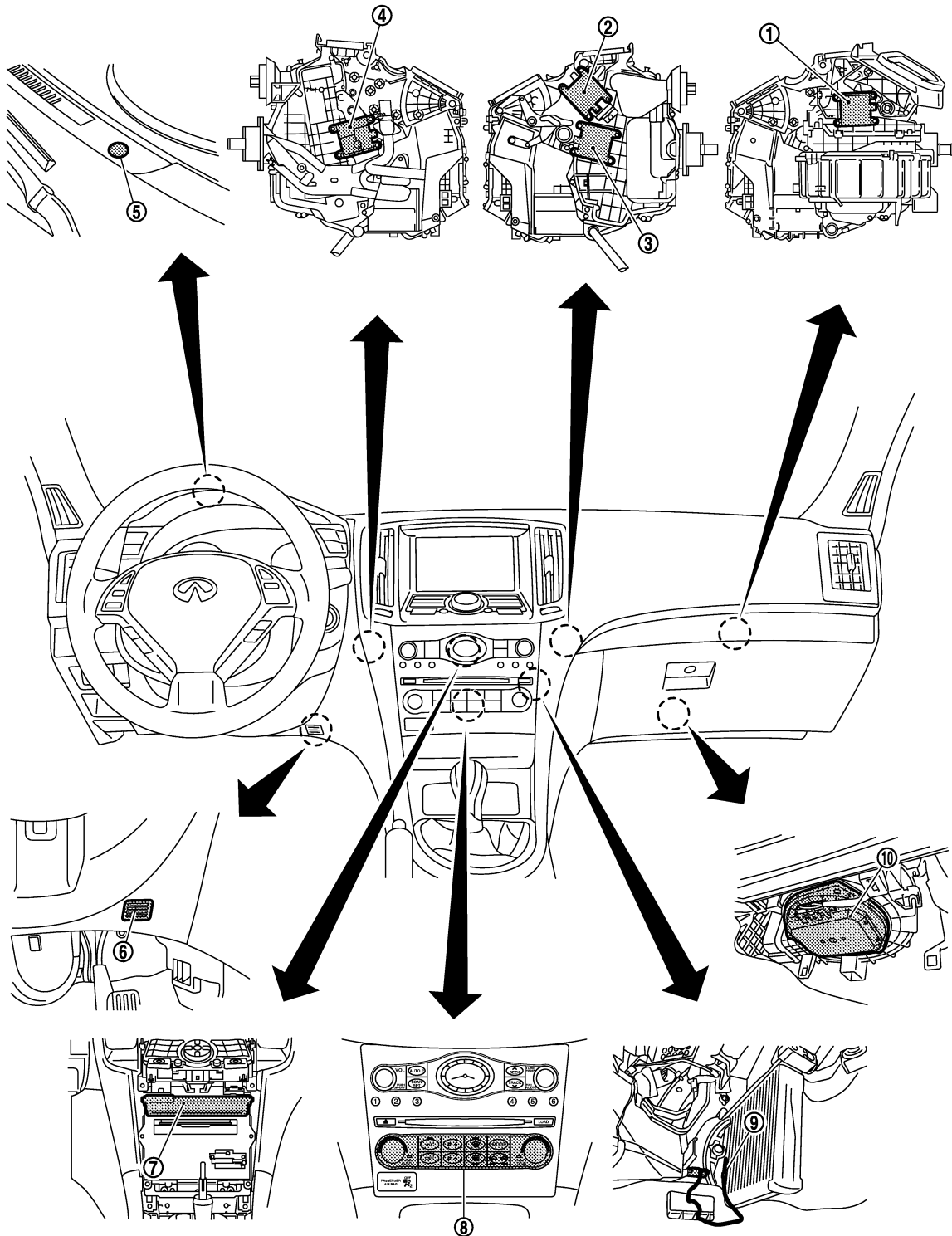
JSIIA1590ZZ

PASSENGER COMPARTMENT

COMPRESSOR CONTROL FUNCTION

< SYSTEM DESCRIPTION >

[AUTOMATIC AIR CONDITIONER]



JSIIA1561ZZ

- | | | |
|-------------------------------------|--------------------|--|
| 1. Intake door motor | 2. Mode door motor | 3. Air mix door motor (passenger side) |
| 4. Air mix door motor (driver side) | 5. Sunload sensor | 6. In-vehicle sensor |
| 7. Unified meter and A/C amp. | 8. Preset switch | 9. Intake sensor |
| 10. Blower motor | | |

COMPRESSOR CONTROL FUNCTION

< SYSTEM DESCRIPTION >

[AUTOMATIC AIR CONDITIONER]

Component Description

INFOID:000000005631005

Component	Description
Refrigerant pressure sensor	EC-508. "Description"
Ambient sensor	HAC-66. "Description"
Magnet clutch	HAC-62. "Description"
ECV	HAC-64. "Description"
Intake door motor	HAC-57. "Description"
Mode door motor	HAC-51. "Description"
Air mix door motor (driver side)	HAC-53. "Description"
Air mix door motor (passenger side)	HAC-55. "Description"
Sunload sensor	HAC-72. "Description"
In-vehicle sensor	HAC-69. "Description"
Preset switch	The preset switch integrated with the controller for A/C operation and AV switch is installed to the center of the instrument panel. The operation and display data of the preset switch are communicated with the unified meter and A/C amp. through AV control unit via CAN communication.
Unified meter and A/C amp.	HAC-50. "Description"
Intake sensor	HAC-75. "Description"
Blower motor	HAC-59. "Description"

A
B
C
D
E
F
G
H
J
K
L
M
N
O
P

HAC

AUTOMATIC AIR CONDITIONER SYSTEM

< SYSTEM DESCRIPTION >

[AUTOMATIC AIR CONDITIONER]

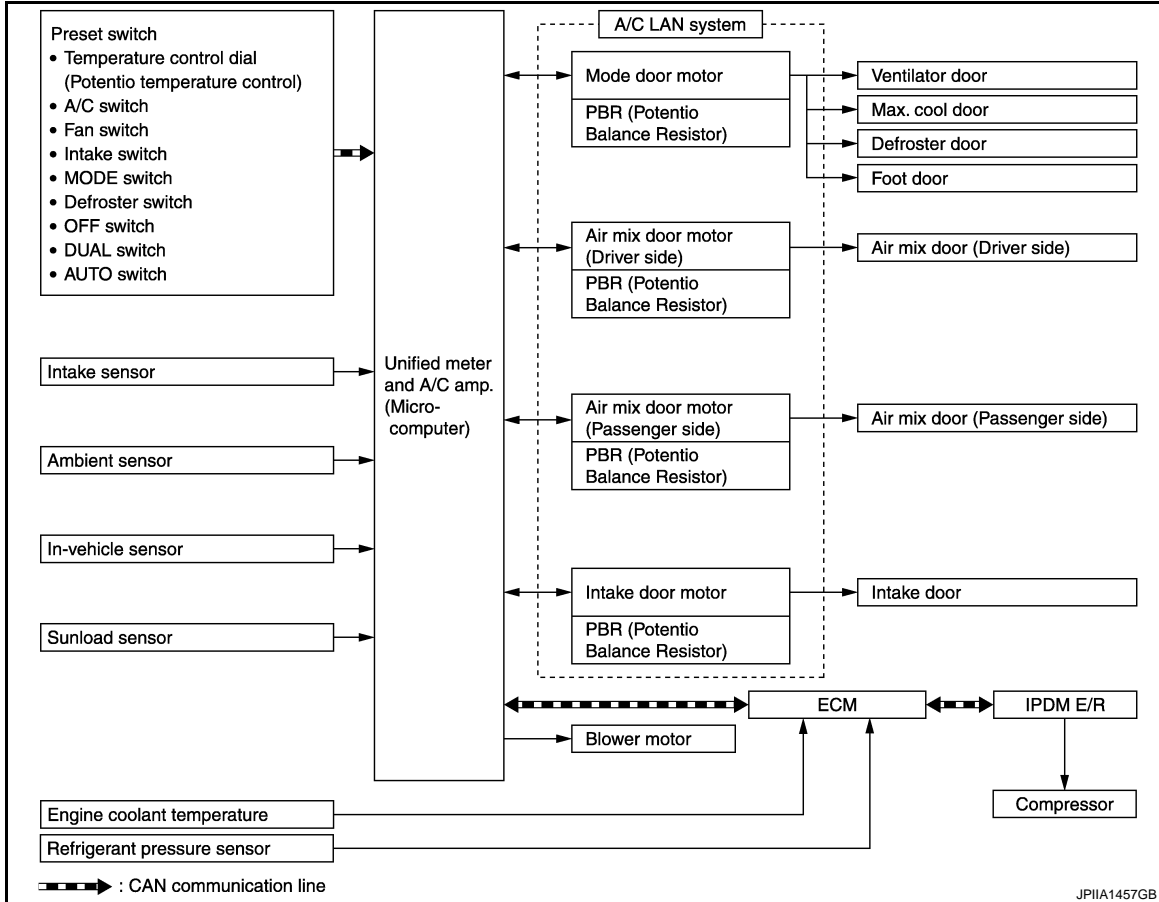
AUTOMATIC AIR CONDITIONER SYSTEM

System Diagram

INFOID:000000005631006

CONTROL SYSTEM

The control system consists of input sensors, switches, unified meter and A/C amp. (microcomputer) and outputs. The relationship of these components is as shown in the figure below:



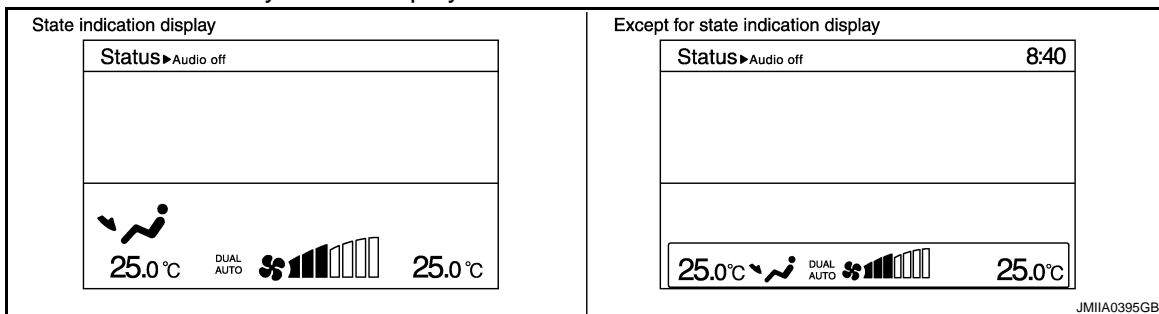
System Description

INFOID:000000005631007

CONTROL OPERATION

Display Screen

The operation status of the system is displayed on the screen.

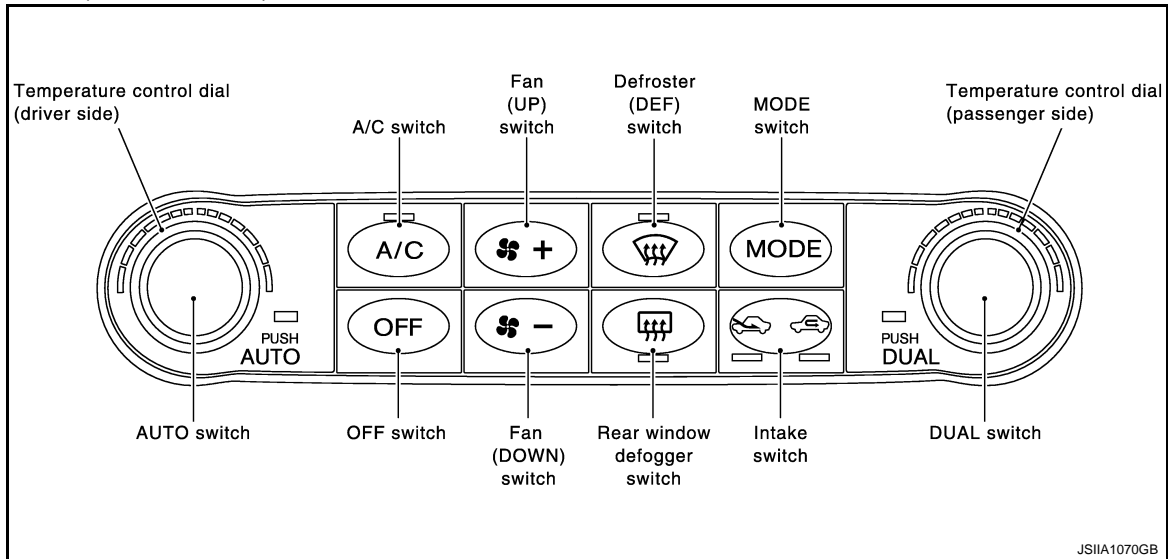


AUTOMATIC AIR CONDITIONER SYSTEM

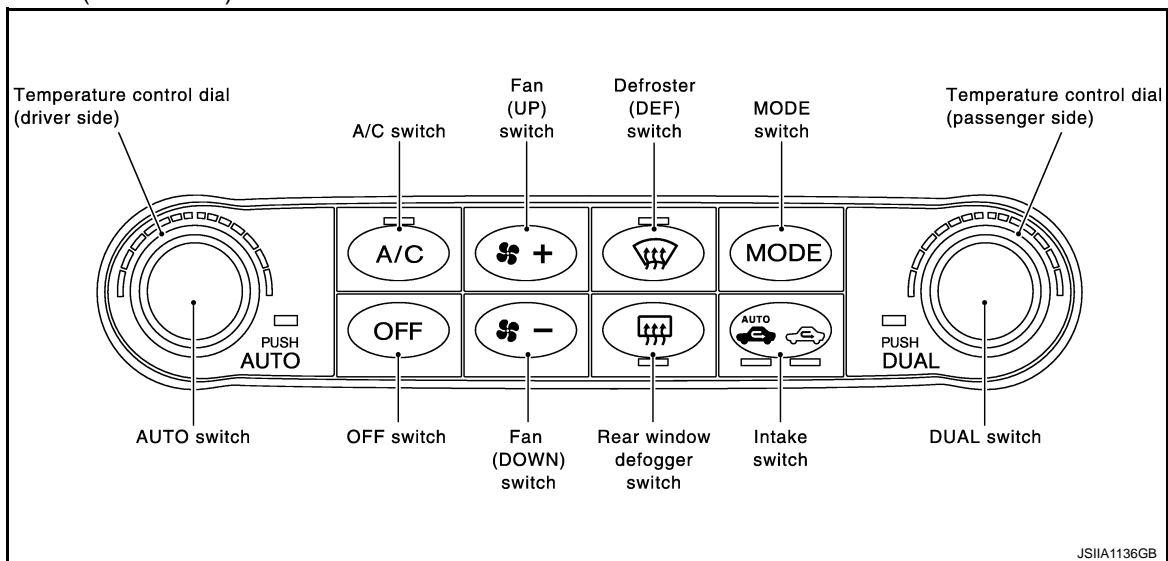
< SYSTEM DESCRIPTION >

[AUTOMATIC AIR CONDITIONER]

Preset Switch (Without ACCS)



Preset Switch (With ACCS)



MODE Switch

The air discharge outlets is controlled with this switch.

Temperature Control Dial (Potentio Temperature Control) (Driver Side)

The set temperature is increased or decreased with this dial.

Temperature Control Dial (Potentio Temperature Control) (Passenger Side)

- The set temperature is increased or decreased with this dial.
- When the temperature control dial is turned, DUAL switch indicator turns ON.

AUTO Switch

- The compressor, intake doors, air mix doors, mode doors and fan speed are automatically controlled so that the in-vehicle temperature will reach, and be maintained at the set temperature selected by the operator.
- When pressing AUTO switch, air inlet, air outlet, fan speed, and discharge air temperature are automatically controlled.

Defroster (DEF) Switch

Mode doors are set to the defrost position with this switch. Also, intake doors are set to the outside air position, and compressor turns ON.

A/C Switch

Compressor is ON or OFF with this switch.

(Pressing the A/C switch when the A/C switch is ON turns OFF the A/C switch and compressor.)

AUTOMATIC AIR CONDITIONER SYSTEM

< SYSTEM DESCRIPTION >

[AUTOMATIC AIR CONDITIONER]

FAN Switches

The fan speed is manually controlled with this switch. Seven speeds are available for manual control (as shown on the display screen).

OFF Switch

Compressor and blower are OFF, air inlet is set to FRE, and mode position is set to foot position.

Rear Window Defogger Switch

When indicator is ON, rear window is defogged.

Intake Switch (Without ACCS)

- When intake switch is ON, FRE indicator turns ON, and air inlet is fixed to FRE.
- When intake switch is pressed again, REC indicator turns ON, and air inlet is fixed to REC.
- When intake switch is pressed for approximately 2 seconds or longer, FRE and REC indicators blink twice. Then, automatic control mode is entered. Inlet status is displayed by indicator even during automatic controlled.
- When REC indicator is turned OFF, shifting mode position to D/F or DEF or when compressor is turned from ON to OFF, intake mode position is fixed to FRE mode. REC mode can be re-entered by pressing intake switch again, and then compressor is turned ON. (Except D/F or DEF position)

Intake Switch (With ACCS)

- When AUTO switch is pressed, AUTO intake indicator and REC indicator turns ON, and air inlet is automatic control.
- When intake switch is pressed, AUTO intake indicator and REC indicator turns OFF, and air inlet is fixed to FRE.
- When intake switch is pressed again, REC indicator turns ON, and air inlet is fixed to REC.
- Then auto intake mode is entered, inlet status is displayed by REC indicator even during automatic controlled.
- When REC indicator is turned OFF, shifting mode position to D/F or DEF or when compressor is turned from ON to OFF, intake mode position is fixed to FRE mode. REC mode can be re-entered by pressing intake switch again, and then compressor is turned ON. (Except D/F or DEF position)

DUAL Switch

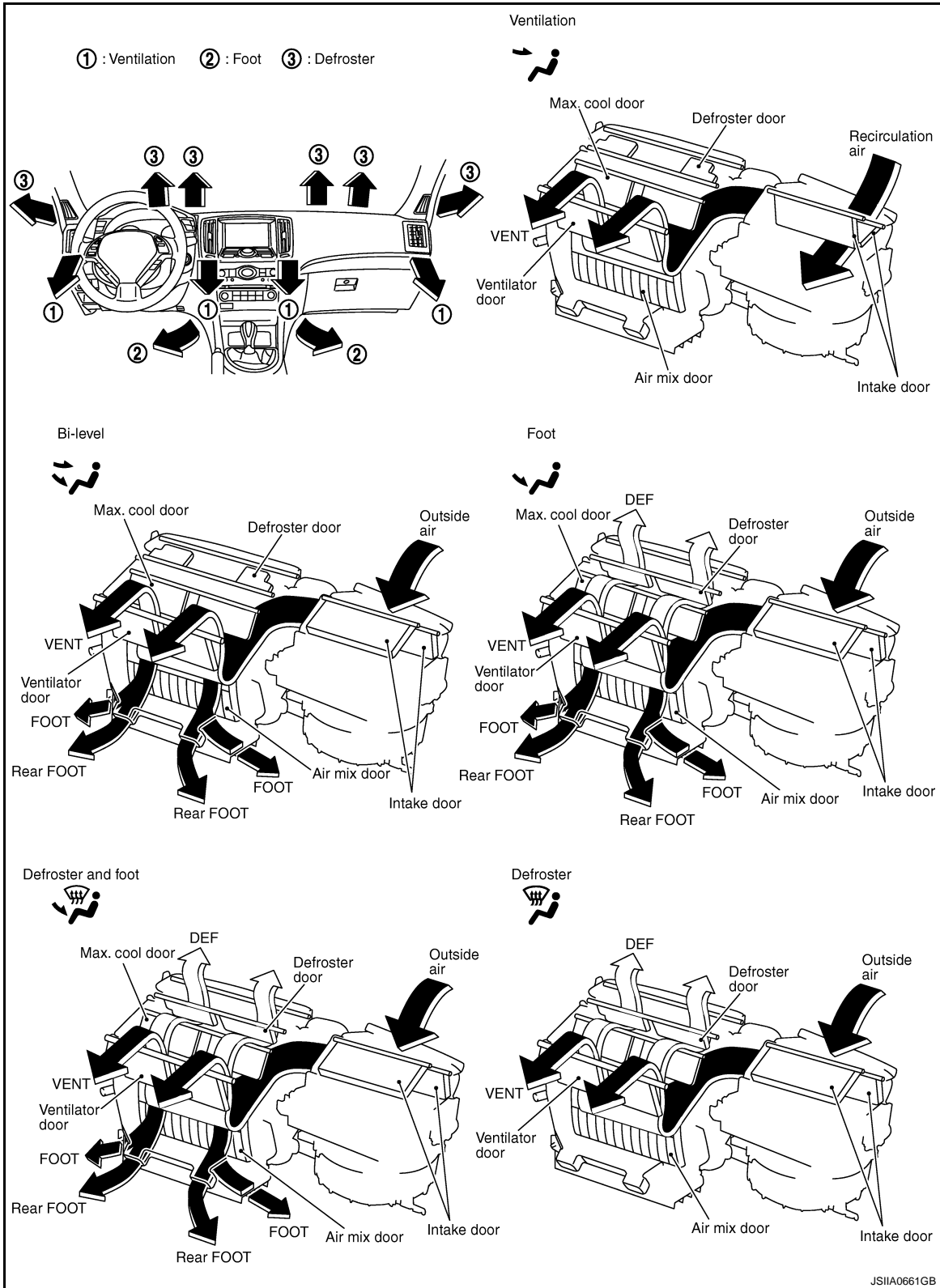
- When the DUAL switch indicator is ON, the driver side and passenger side, temperature can each be set independently.
- When the DUAL switch indicator is OFF, the driver side outlet and setting temperature is applied to both sides.

AUTOMATIC AIR CONDITIONER SYSTEM

< SYSTEM DESCRIPTION >

[AUTOMATIC AIR CONDITIONER]

DISCHARGE AIR FLOW



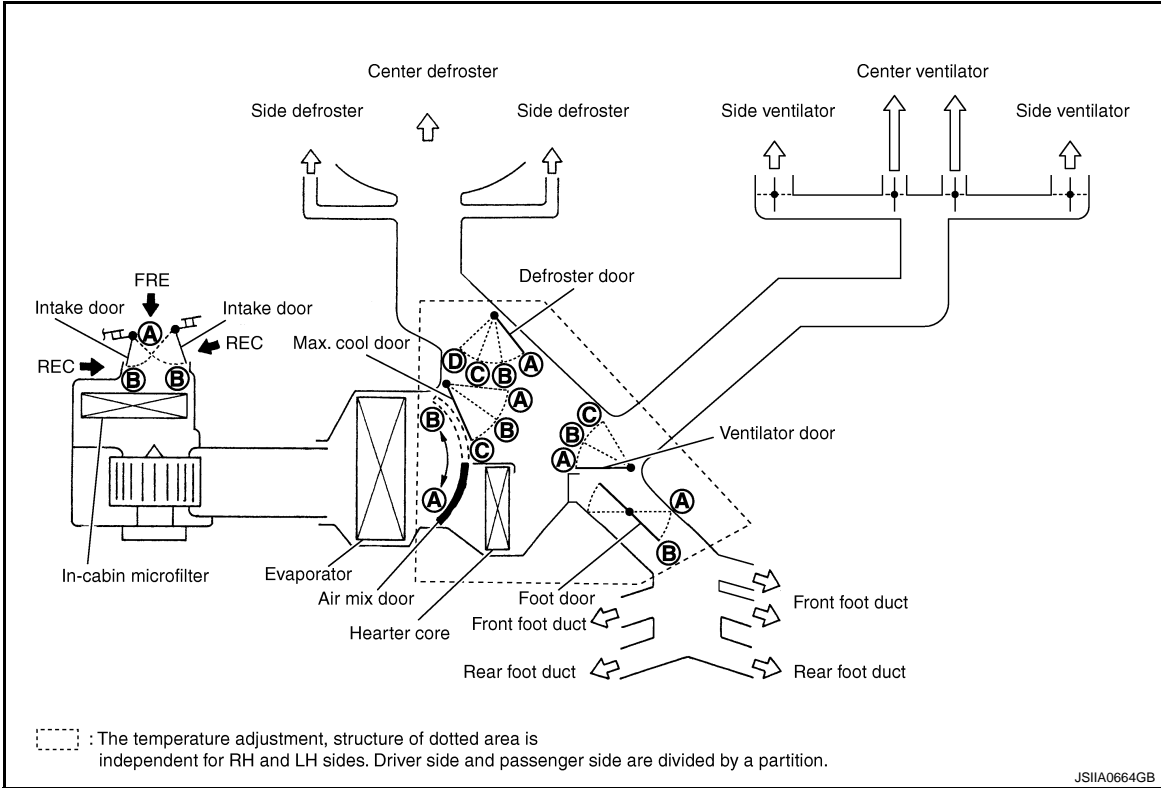
A
B
C
D
E
F
G
H
HAC
J
K
L
M
N
O
P

AUTOMATIC AIR CONDITIONER SYSTEM

< SYSTEM DESCRIPTION >

[AUTOMATIC AIR CONDITIONER]

SWITCHES AND THEIR CONTROL FUNCTION












Without ACCS

Switch position		Door position					
		Ventilator door	Max. cool door	Defroster door	Foot door	Intake door	Air mix door (Driver side)
AUTO switch		AUTO					

AUTOMATIC AIR CONDITIONER SYSTEM


< SYSTEM DESCRIPTION >

[AUTOMATIC AIR CONDITIONER]

Switch position			Door position						Air mix door (Driver side)	Air mix door (Passenger side)
			Ventilator door	Max. cool door	Defroster door	Foot door	Intake door			
MODE switch	VENT		A	A	D	B	—	—	—	
	B/L		B	B	D	B				
	FOOT		C	C	C	B				B
	D/F				A	A				B
DEF switch			—	—	—	—	—	—	—	
Intake switch	FRE									
	REC									
DUAL switch	DUAL									—
	OFF		OFF							
Temperature control dial (Driver side)	DUAL switch: OFF	18.0°C (60°F)	—	—	—	—	—	—	A	
		18.5°C ⇔ 31.5°C (61°F ⇔ 89°F)							AUTO	
		32.0°C (90°F)							B	
Temperature control dial (Driver side)	DUAL switch: ON	18.0°C (60°F)	—	—	—	—	—	—	A	
		18.5°C ⇔ 31.5°C (61°F ⇔ 89°F)							AUTO	
		32.0°C (90°F)							B	
Temperature control dial (Passenger side)	DUAL switch: ON	18.0°C (60°F)	—	—	—	—	—	—	A	
		18.5°C ⇔ 31.5°C (61°F ⇔ 89°F)							AUTO	
		32.0°C (90°F)							B	
OFF switch			C	C	C	B	B	—	—	

*: Inlet status is displayed by indicator when activating automatic control










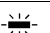




With ACCS

Switch position		Door position						Air mix door (Driver side)	Air mix door (Passenger side)
		Ventilator door	Max. cool door	Defroster door	Foot door	Intake door			
AUTO switch		AUTO							

AUTOMATIC AIR CONDITIONER SYSTEM

< SYSTEM DESCRIPTION >

[AUTOMATIC AIR CONDITIONER]

Switch position			Door position					Air mix door (Driver side)	Air mix door (Passenger side)	
			Ventilator door	Max. cool door	Defroster door	Foot door	Intake door			
MODE switch	VENT		A	A	D	B	—	—		
	B/L		B	B	D	B				
	FOOT		C	C	C	B				
	D/F				B	B			B	
DEF switch		 	—	—	—	—	—	—		
Intake switch	AUTO	 							AUTO* ²	
	REC	 								A* ¹
	FRE	 								B* ¹
DUAL switch	DUAL								ON	
	OFF									OFF
Temperature control dial (Driver side)	DUAL switch: OFF	18.0°C (60°F)							A	
		18.5°C ⇔ 31.5°C (61°F ⇔ 89°F)								AUTO
		32.0°C (90°F)								B
Temperature control dial (Driver side)	DUAL switch: ON	18.0°C (60°F)							A	
		18.5°C ⇔ 31.5°C (61°F ⇔ 89°F)	AUTO							
		32.0°C (90°F)	B							
Temperature control dial (Passenger side)	DUAL switch: ON	18.0°C (60°F)	A							
		18.5°C ⇔ 31.5°C (61°F ⇔ 89°F)	AUTO							
		32.0°C (90°F)	B							
OFF switch			C	C	C	B	B	—	—	

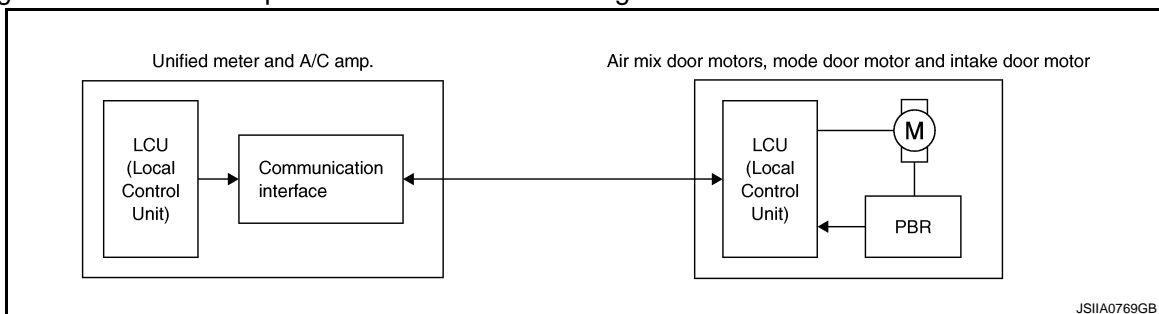
*1: Inlet status is displayed by indicator when activating automatic control

*2: Intake door control applies a gas sensor

AIR CONDITIONER LAN CONTROL SYSTEM

The LAN (Local Area Network) system consists of unified meter and A/C amp., mode door motor, air mix door motors and intake door motor.

A configuration of these components is as shown in the figure below.



JSIIA0769GB

AUTOMATIC AIR CONDITIONER SYSTEM

[AUTOMATIC AIR CONDITIONER]

< SYSTEM DESCRIPTION >

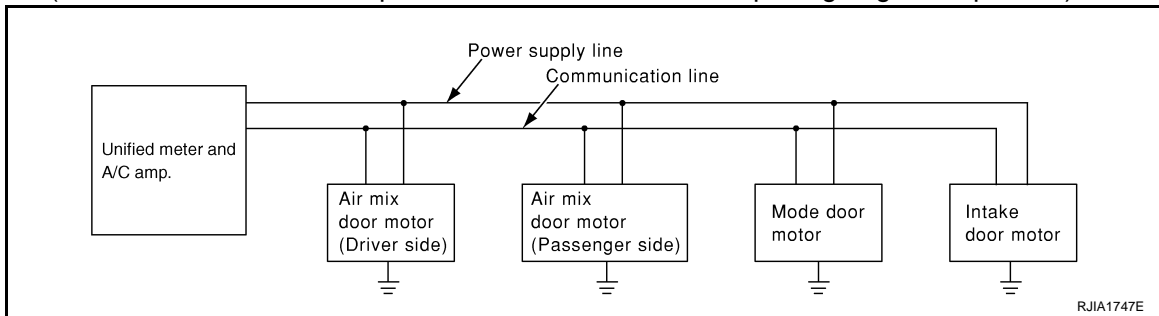
SYSTEM CONSTRUCTION

A small network is constructed between the unified meter and A/C amp., mode door motor, air mix door motors and intake door motor. The unified meter and A/C amp. and motors are connected by data transmission lines and motor power supply lines. The LAN network is built through the ground circuits of each door motor.

Addresses, motor opening angle signals, motor stop signals and error checking messages are all transmitted through the data transmission lines connecting the unified meter and A/C amp. and each door motor.

The following functions are contained in LCUs built into the mode door motor, the air mix door motors and the intake door motor.

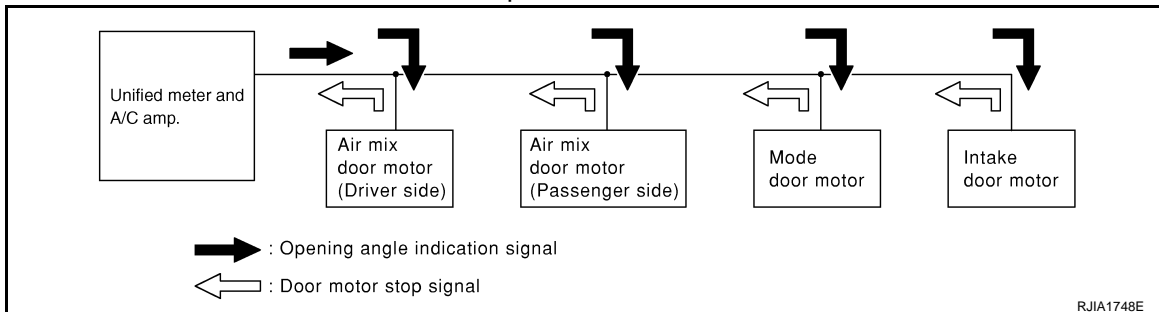
- Address
- Motor opening angle signals
- Data transmission
- Motor stop and drive decision
- Opening angle sensor (PBR function)
- Comparison
- Decision (Unified meter and A/C amp. indicated value and motor opening angle comparison)



Operation

The unified meter and A/C amp. receives data from each of the sensors. The unified meter and A/C amp. sends mode door, air mix door and intake door opening angle data to the mode door motor LCU, air mix door motor LCUs and intake door motor LCU.

The mode door motor, air mix door motors and intake door motor read their respective signals according to the address signal. Opening angle indication signals received from the unified meter and A/C amp. and each of the motor position sensors is compared by the LCUs in each door motor with the existing decision and opening angles. Subsequently, HOT/COLD, DEF/VENT and FRE/REC operation is selected. The new selection data is returned to the unified meter and A/C amp.



Transmission Data and Transmission Order

Unified meter and A/C amp. data is transmitted consecutively to each of the doors motor following the form as shown in the figure below.

START:

- Initial compulsory signal is sent to each of the door motors.

ADDRESS:

- Data sent from the unified meter and A/C amp. are selected according to data-based decisions made by the mode door motor, air mix door motors and intake door motor.
- If the addresses are identical, the opening angle data and error check signals are received by the door motor LCUs. The LCUs then make the appropriate error decision. If the opening angle data have no error, door control begins.
- If an error exists, the received data are rejected and corrected data received. Finally, door control is based upon the corrected opening angle data.

AUTOMATIC AIR CONDITIONER SYSTEM

[AUTOMATIC AIR CONDITIONER]

< SYSTEM DESCRIPTION >

OPENING ANGLE:

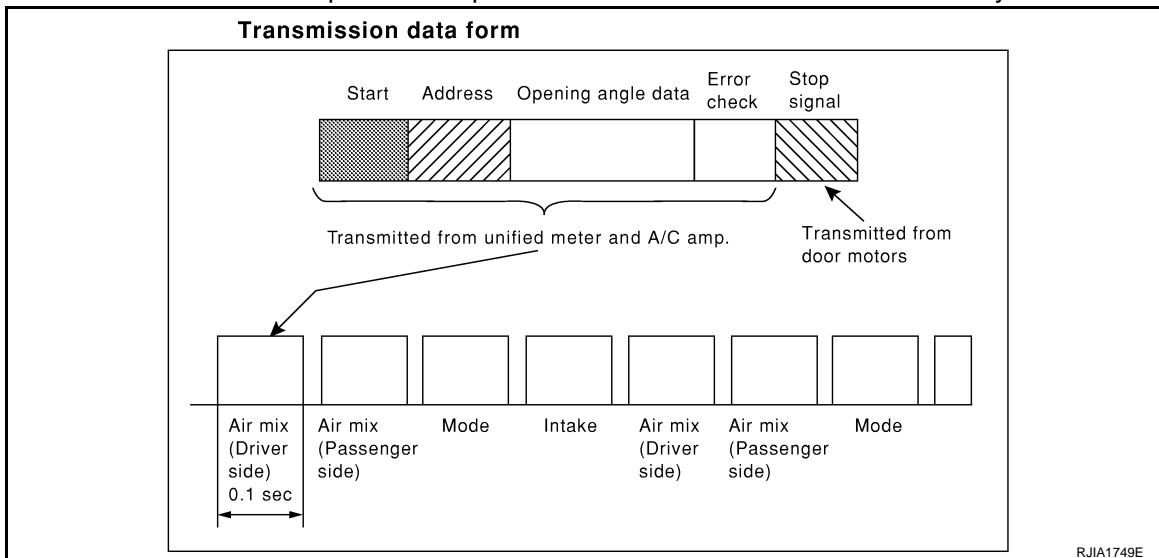
- Data that shows the indicated door opening angle of each door motor.

ERROR CHECK:

- In this procedure, transmitted and received data is checked for errors. Error data are then compiled. The error check prevents corrupted data from being used by the mode door motor, the air mix door motors and the intake door motor. Error data can be related to the following symptoms.
 - Malfunction of electrical frequency
 - Poor electrical connections
 - Signal leakage from transmission lines
 - Signal level fluctuation

STOP SIGNAL:

- At the end of each transmission, a stop operation, in-operation, or internal malfunction message is delivered to the unified meter and A/C amp. This completes one data transmission and control cycle.



Component Part Location

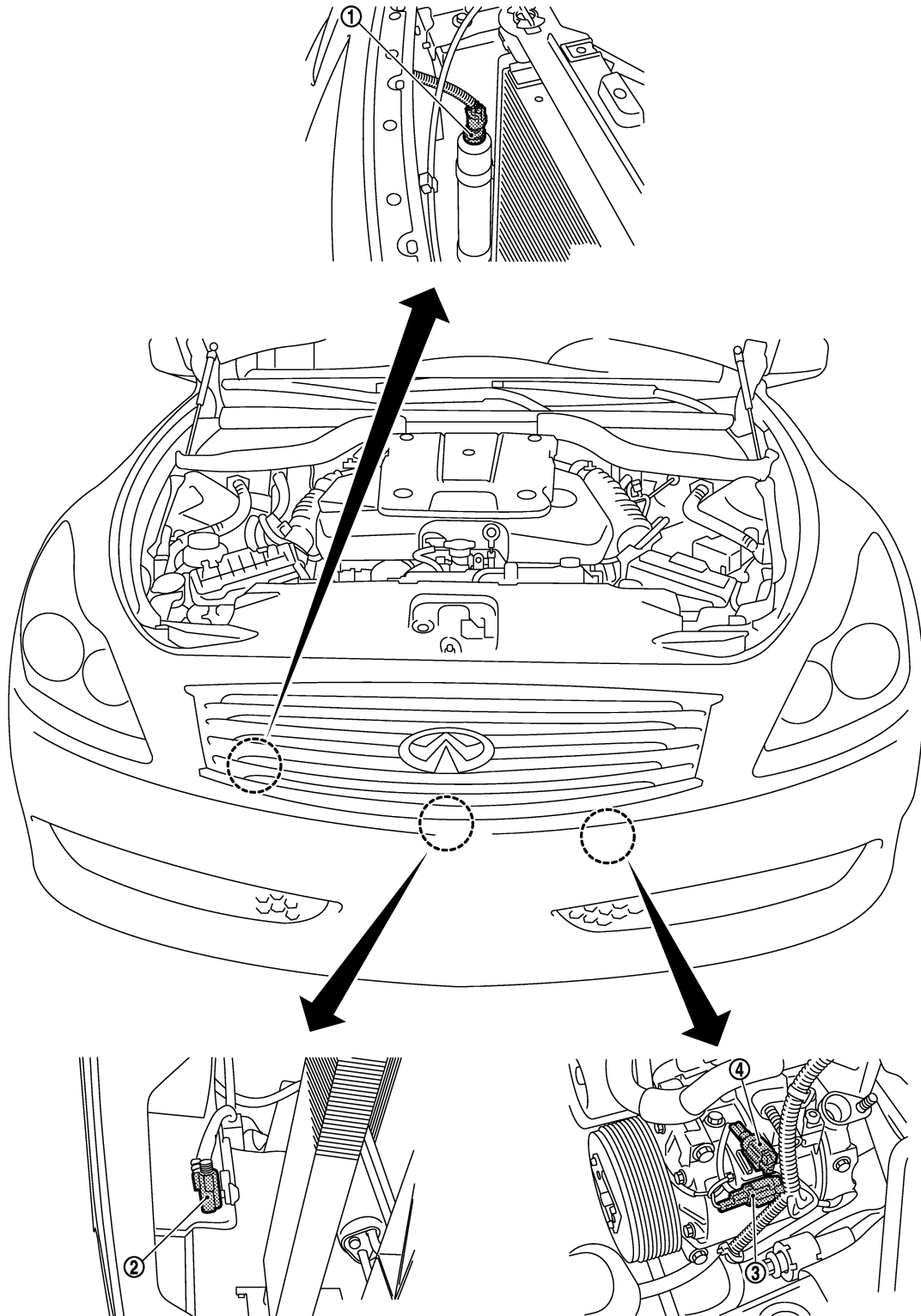
INFOID:000000005631008

ENGINE COMPARTMENT

AUTOMATIC AIR CONDITIONER SYSTEM

< SYSTEM DESCRIPTION >

[AUTOMATIC AIR CONDITIONER]



A
B
C
D
E
F
G
H
HAC
J
K
L
M
N
O
P

- 1. Refrigerant pressure sensor
- 2. Ambient sensor
- 3. Magnet clutch connector
- 4. ECV connector

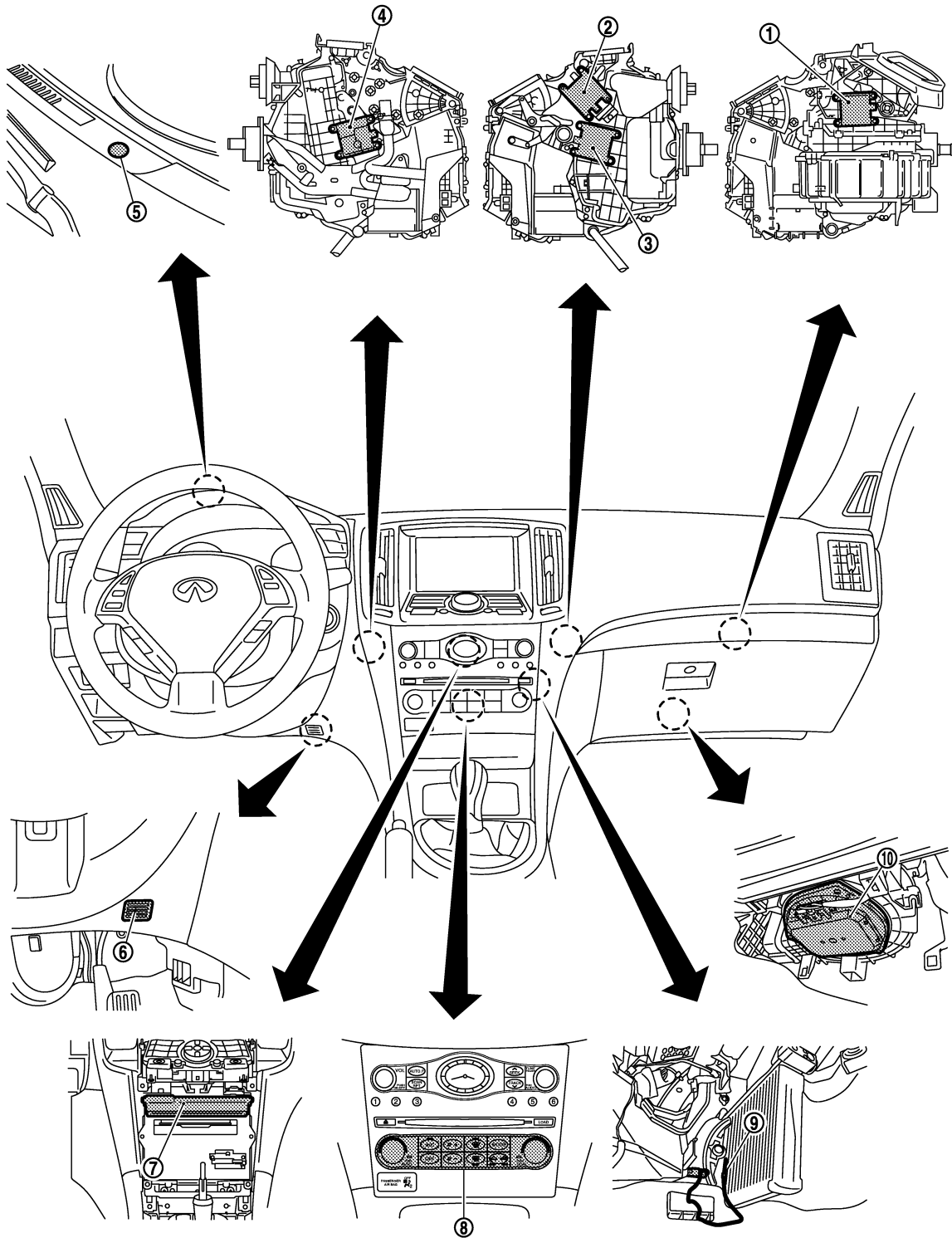
JSIIA1590ZZ

PASSENGER COMPARTMENT

AUTOMATIC AIR CONDITIONER SYSTEM

< SYSTEM DESCRIPTION >

[AUTOMATIC AIR CONDITIONER]



JSIIA1561ZZ

- | | | |
|-------------------------------------|--------------------|--|
| 1. Intake door motor | 2. Mode door motor | 3. Air mix door motor (passenger side) |
| 4. Air mix door motor (driver side) | 5. Sunload sensor | 6. In-vehicle sensor |
| 7. Unified meter and A/C amp. | 8. Preset switch | 9. Intake sensor |
| 10. Blower motor | | |

AUTOMATIC AIR CONDITIONER SYSTEM

< SYSTEM DESCRIPTION >

[AUTOMATIC AIR CONDITIONER]

Component Description

INFOID:000000005631009

Component	Description
Refrigerant pressure sensor	EC-508. "Description"
Ambient sensor	HAC-66. "Description"
Magnet clutch	HAC-62. "Description"
ECV	HAC-64. "Description"
Intake door motor	HAC-57. "Description"
Mode door motor	HAC-51. "Description"
Air mix door motor (driver side)	HAC-53. "Description"
Air mix door motor (passenger side)	HAC-55. "Description"
Sunload sensor	HAC-72. "Description"
In-vehicle sensor	HAC-69. "Description"
Preset switch	The preset switch integrated with the controller for A/C operation and AV switch is installed to the center of the instrument panel. The operation and display data of the preset switch are communicated with the unified meter and A/C amp. through AV control unit via CAN communication.
Unified meter and A/C amp.	HAC-50. "Description"
Intake sensor	HAC-75. "Description"
Blower motor	HAC-59. "Description"

A
B
C
D
E
F
G
H
J
K
L
M
N
O
P

HAC

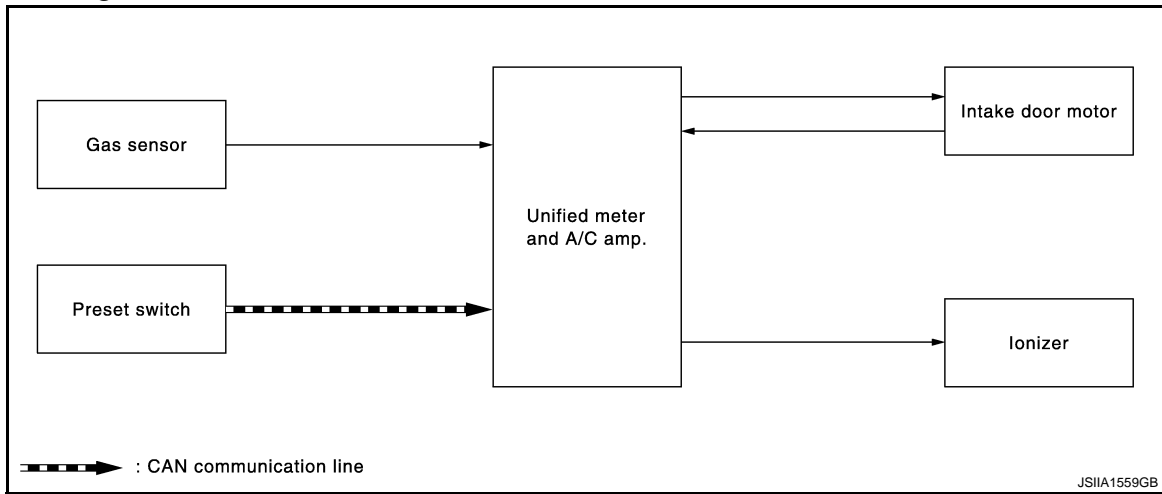
ACCS (ADVANCE CLIMATE CONTROL SYSTEM)

[AUTOMATIC AIR CONDITIONER]

< SYSTEM DESCRIPTION >

ACCS (ADVANCE CLIMATE CONTROL SYSTEM)

System Diagram



INFOID:000000005631010

System Description

INFOID:000000005900519

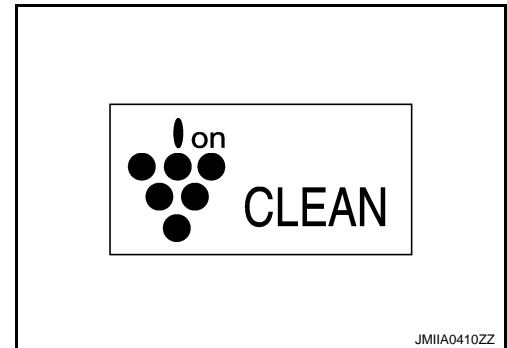
The adoption of the ACCS (advance climate control system) enables the maintenance of clean air in the vehicle by combining the plasmacluster™ ion generation function, the automatic recirculation control function, and a high performance filter.

NOTE:

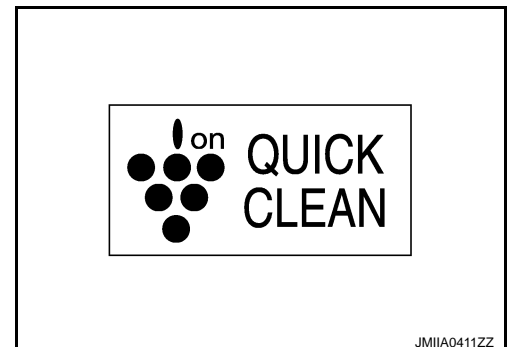
- Plasmacluster™ ion technology developed by Sharp Corporation is installed in this item.
- Plasmacluster™ is a trademark of Sharp Corporation.

PLASMACLUSTER SYSTEM

- The Plasmacluster™ ion generation function operates synchronized with the blower motor. The Plasmacluster™ ion generation function operates when the blower motor operates.
 - Operating state of Plasmacluster™ system is displayed.
 - Plasmacluster™ system switches display according to air flow volume as shown in the following figure.
- When air flow is low.



- When air flow is high.



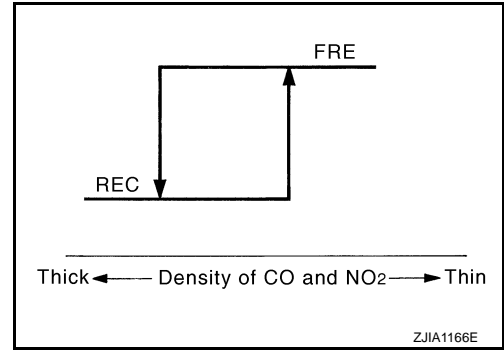
ACCS (ADVANCE CLIMATE CONTROL SYSTEM)

< SYSTEM DESCRIPTION >

[AUTOMATIC AIR CONDITIONER]

AUTO INTAKE CONTROL SYSTEM

In addition to the regular automatic control, intake door condition is controlled by gas sensor output signal when auto intake mode is selected. This system automatically controls the inlet to prevent a smell of exhaust gas from getting into vehicle by receiving signals from the gas sensor that detects ambient atmospheric CO and NO₂.



A
B
C
D
E
F
G
H
I
J
K
L
M
N
O
P

HAC

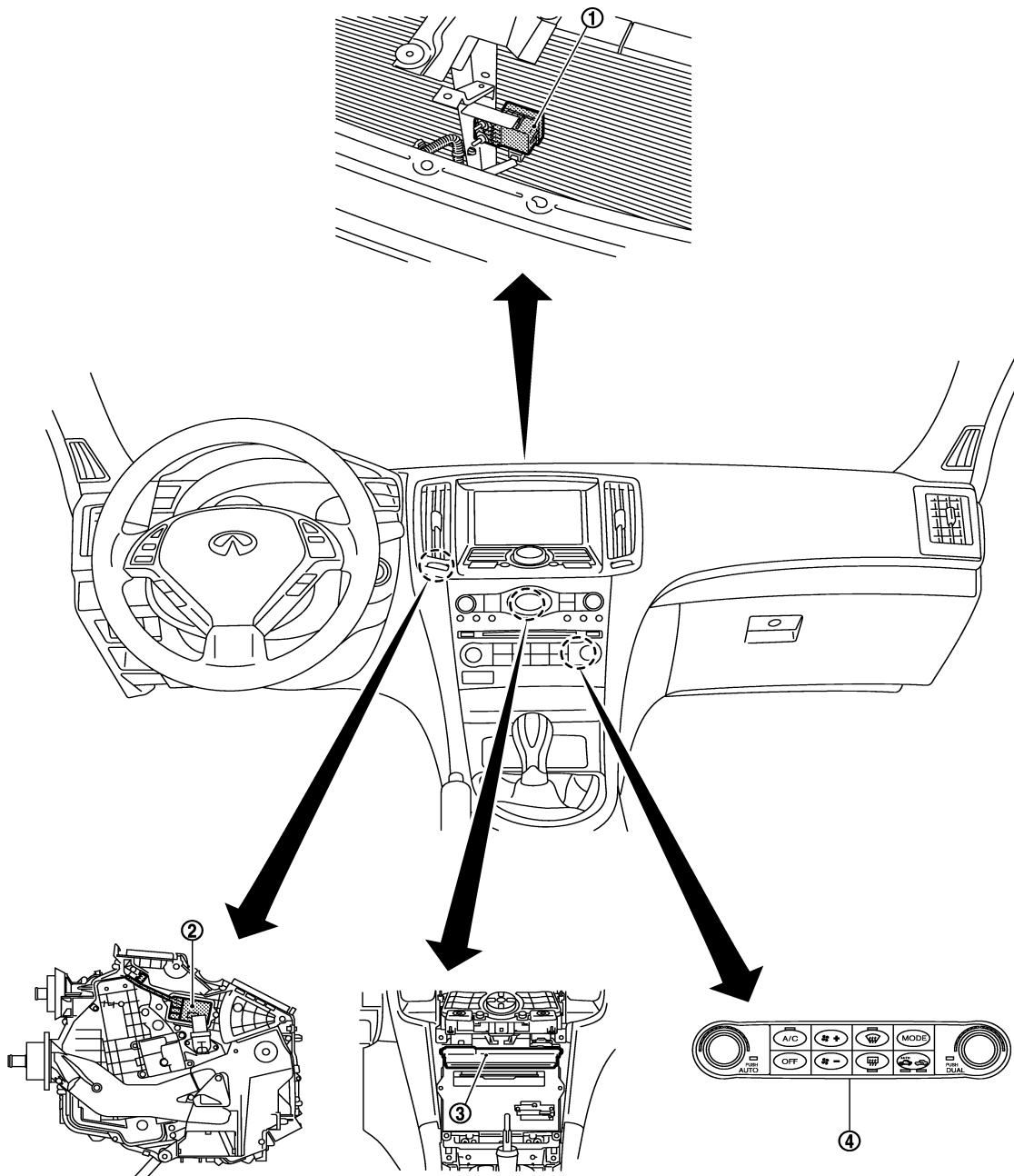
ACCS (ADVANCE CLIMATE CONTROL SYSTEM)

< SYSTEM DESCRIPTION >

[AUTOMATIC AIR CONDITIONER]

Component Part Location

INFOID:000000005631012



JM1IA0566ZZ

- 1. Gas sensor (engine room)
- 4. Preset switch

- 2. Ionizer

- 3. Unified meter and A/C amp.

ACCS (ADVANCE CLIMATE CONTROL SYSTEM)

< SYSTEM DESCRIPTION >

[AUTOMATIC AIR CONDITIONER]

Component Description

INFOID:000000005631013

Component	Description
Ion indicator	Plasmacluster ion generation function operating condition is displayed in the ion indicator in the display.
Gas sensor	HAC-77, "Description"
Ionizer	HAC-80, "Description"
Unified meter and A/C amp.	The unified meter and A/C amp. controls ionizer ON/OFF and shifts an ion generation function.
Preset switch (AUTO intake indicator)	The auto intake control system is ON or OFF by the AUTO intake indicator is turned ON.

A

B

C

D

E

F

G

H

HAC

J

K

L

M

N

O

P

CAN COMMUNICATION SYSTEM

System Description

INFOID:000000005631014

CAN (Controller Area Network) is a serial communication line for real time application. It is an on-vehicle multiplex communication line with high data communication speed and excellent error detection ability. Many electronic control units are equipped onto a vehicle, and each control unit shares information and links with other control units during operation (not independent). In CAN communication, control units are connected with 2 communication lines (CAN-H line, CAN-L line) allowing a high rate of information transmission with less wiring. Each control unit transmits/receives data but selectively reads required data only. For details, refer to [LAN-25, "CAN System Specification Chart"](#).

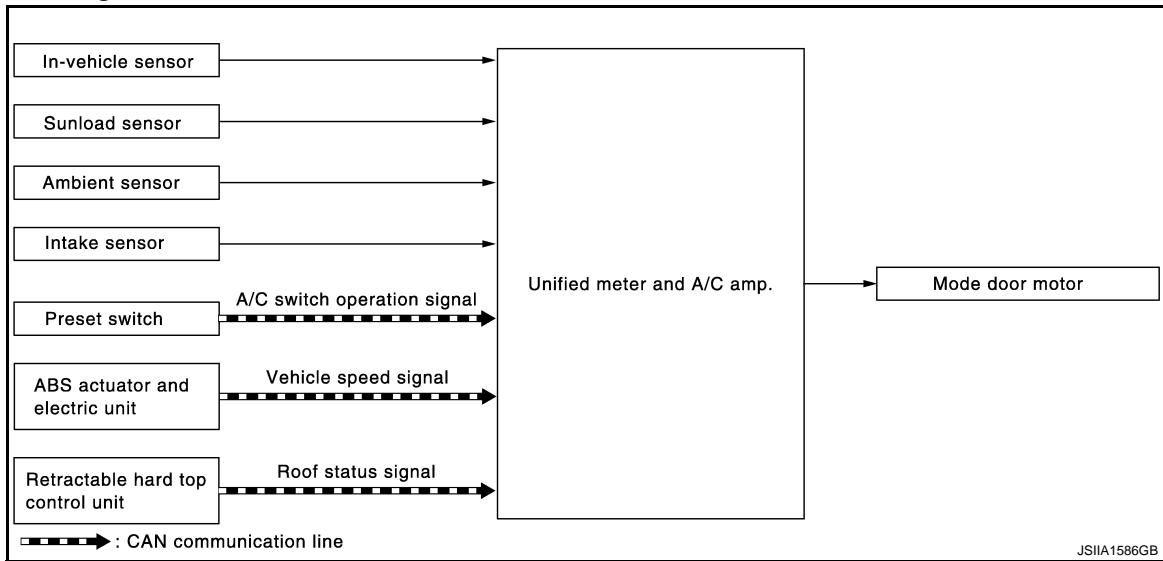
MODE DOOR CONTROL SYSTEM

< SYSTEM DESCRIPTION >

[AUTOMATIC AIR CONDITIONER]

MODE DOOR CONTROL SYSTEM

System Diagram



System Description

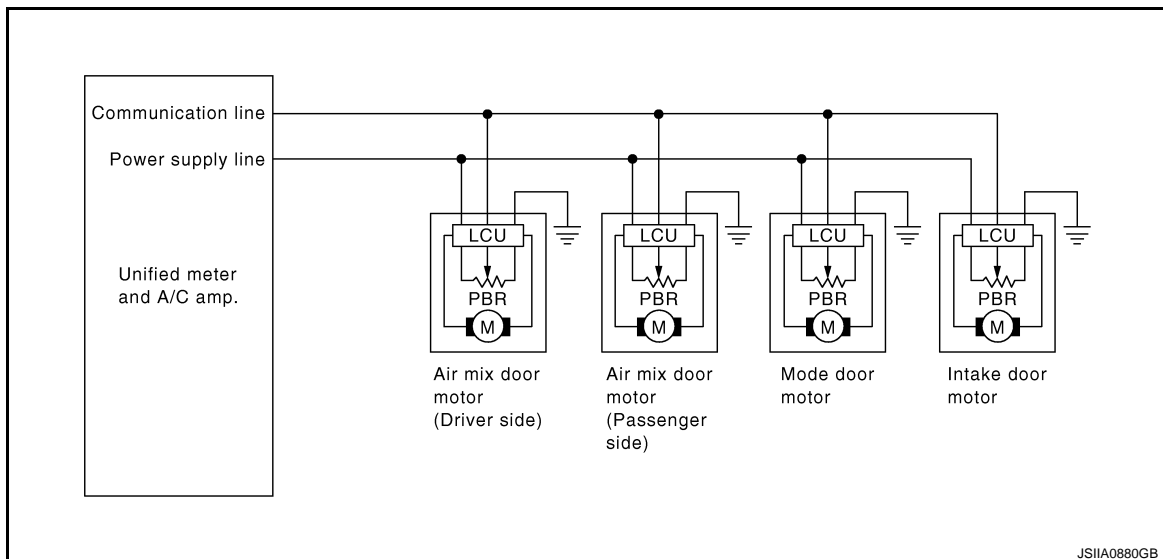
INFOID:000000005631016

The mode door is automatically controlled by the temperature setting, ambient temperature, in-vehicle temperature, intake temperature and amount of sunload.

SYSTEM OPERATION

- The unified meter and A/C amp. receives data from each of the sensors.
- The unified meter and A/C amp. sends air mix door, mode door and intake door opening angle data to the air mix door motor LCUs, mode door motor LCU and intake door motor LCU.
- The air mix door motors, mode door motor and intake door motor read their respective signals according to the address signal. Opening angle indication signals received from the unified meter and A/C amp. and each of the motor position sensors are compared by the LCUs in each door motor with the existing decision and opening angles.
- Subsequently, HOT/COLD, DEF/VENT and FRE/REC operation is selected. The new selection data are returned to the unified meter and A/C amp.

Door Motor Circuit



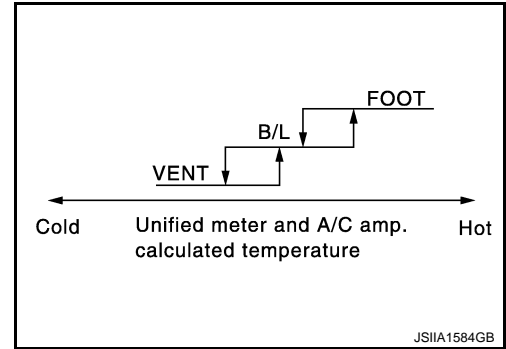
Mode Door Control Specification

MODE DOOR CONTROL SYSTEM

[AUTOMATIC AIR CONDITIONER]

< SYSTEM DESCRIPTION >

Mode position can be selected manually by pressing MODE switch or DEF switch of the preset switch. This enables to fix a mode position. Automatic control by unified meter and A/C amp. Pressing AUTO switch allows automatic control by unified meter and A/C amp. During the automatic control of mode position, a mode door position (VENT, B/L, FOOT, or D/F) is selected based on a target air mix door opening angle and sunload depending on a temperature calculated by unified meter and A/C amp. In addition, D/F is selected to prevent windshield fogging only when ambient temperature is extremely low with mode position [FOOT (roof is closed) or B/L (roof is open)].



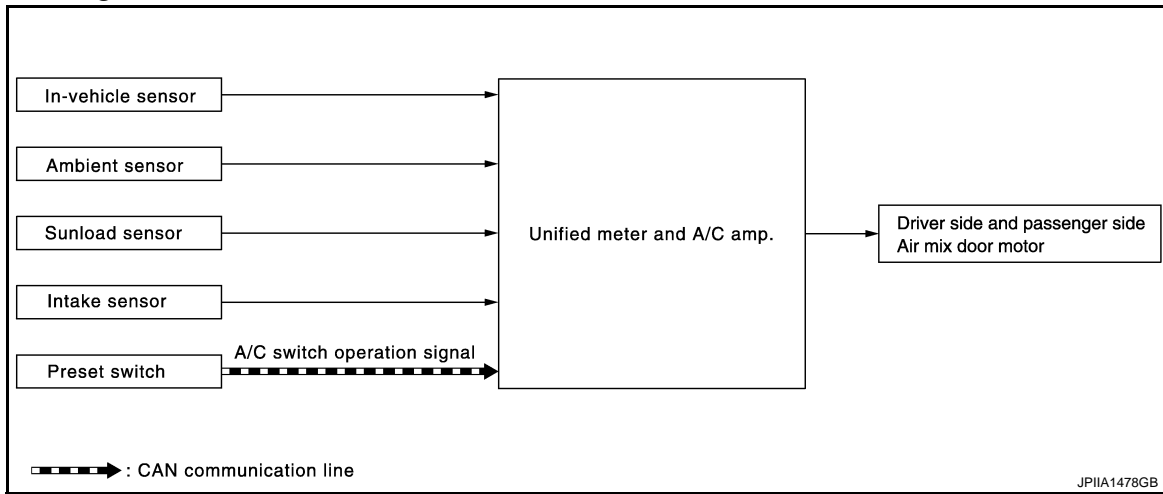
AIR MIX DOOR CONTROL SYSTEM

[AUTOMATIC AIR CONDITIONER]

< SYSTEM DESCRIPTION >

AIR MIX DOOR CONTROL SYSTEM

System Diagram



System Description

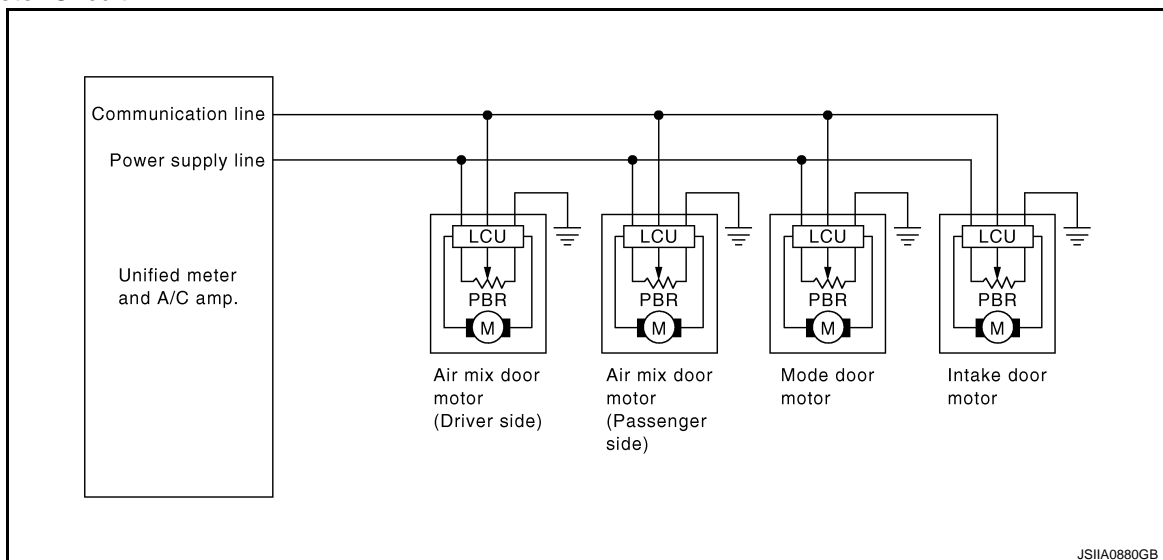
INFOID:000000005631018

The air mix doors are automatically controlled so that in-vehicle temperature is maintained at a preset value by the temperature setting, ambient temperature, intake temperature, in-vehicle temperature and amount of sunload.

SYSTEM OPERATION

- The unified meter and A/C amp. receives data from each of the sensors. The unified meter and A/C amp. sends air mix doors, mode door and intake door opening angle data to the air mix door motor LCUs, mode door motor LCU and intake door motor LCU.
- The air mix door motors, mode door motor and intake door motor read their respective signals according to the address signal. Opening angle indication signals received from the unified meter and A/C amp. and each of the motor position sensors are compared by the LCUs in each door motor with the existing decision and opening angles. Subsequently, HOT/COLD, DEF/VENT and FRE/REC operation is selected. The new selection data are returned to the unified meter and A/C amp.

Door Motor Circuit



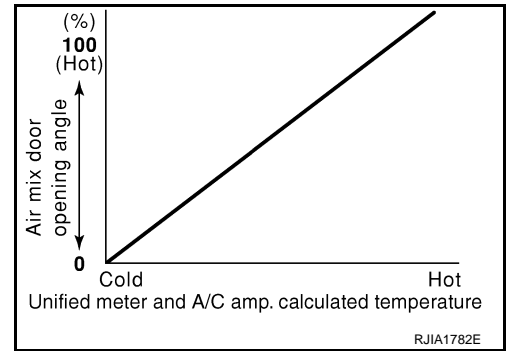
Air Mix Door Control Specification

AIR MIX DOOR CONTROL SYSTEM

[AUTOMATIC AIR CONDITIONER]

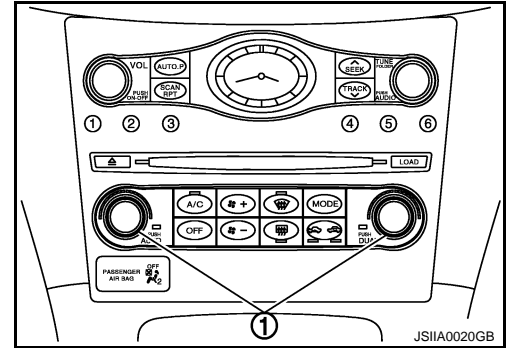
< SYSTEM DESCRIPTION >

When ignition switch is ON, unified meter and A/C amp. continuously and automatically controls temperatures regardless of air conditioner operational condition. When setting a target temperature with temperature control dial, unified meter and A/C amp. corrects the set temperature and decides a target air mix door opening angle. Unified meter and A/C amp. controls air mix door according to the target air mix door opening angle and current air mix door opening angle for keeping an optimum air mix door opening angle. When a temperature is set at 18.0°C (60°F), air mix door is fixed at full cold, and when a temperature is set at 32.0°C (90°F), it is set at full hot.



Potential Temperature Control (PTC)

The PTC (1) is built into the preset switch. It can be set at an interval of 0.5°C (1.0°F) in the 18.0°C (60°F) to 32.0°C (90°F) temperature range by turning temperature control dial. The set temperature is displayed.



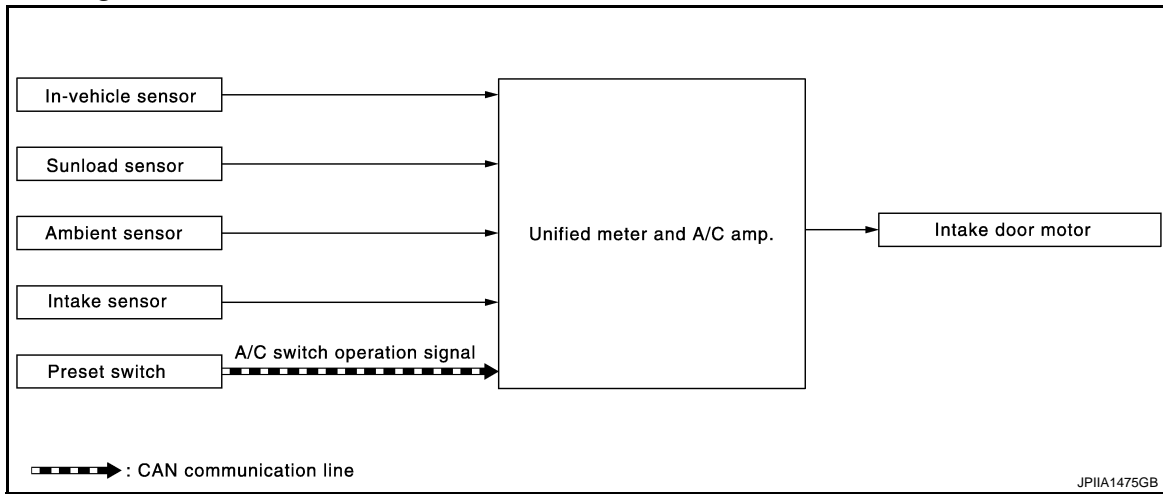
INTAKE DOOR CONTROL SYSTEM

< SYSTEM DESCRIPTION >

[AUTOMATIC AIR CONDITIONER]

INTAKE DOOR CONTROL SYSTEM

System Diagram



System Description

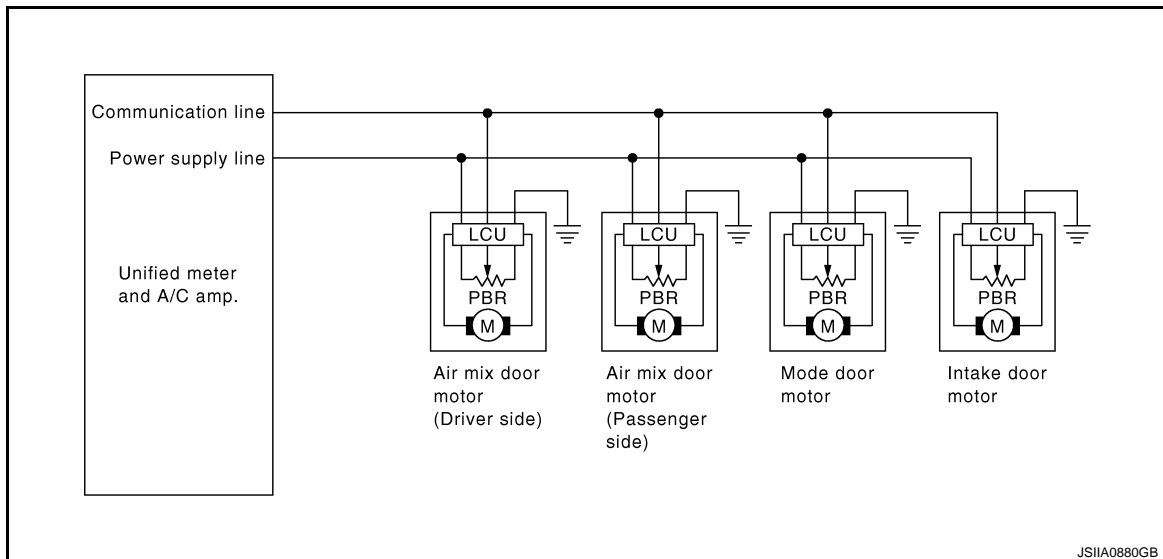
INFOID:000000005631020

The intake door is automatically controlled by the temperature setting, ambient temperature, in-vehicle temperature, intake temperature, amount of sunload and ON/OFF operation of the compressor.

SYSTEM OPERATION

The intake door control judges intake door position based on the ambient temperature, the intake air temperature and the in-vehicle temperature. When shifting mode position D/F, when the DEF or OFF switches are pressed, or when A/C switch is OFF, the unified meter and A/C amp. sets the intake door at the FRE position.

Door Motor Circuit



Intake Door Control Specification

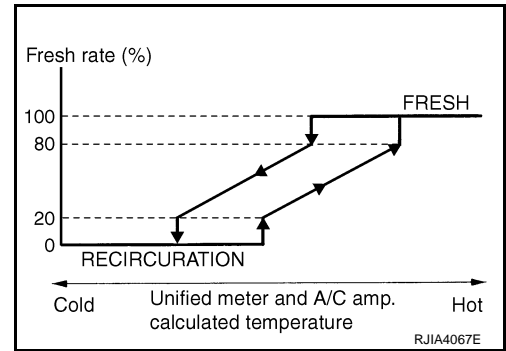
A
B
C
D
E
F
G
H
HAC
J
K
L
M
N
O
P

INTAKE DOOR CONTROL SYSTEM

[AUTOMATIC AIR CONDITIONER]

< SYSTEM DESCRIPTION >

- Intake door position is basically fixed at FRE when REC indicator of intake switch is OFF or DEF switch is ON.
- Intake door position is basically fixed at REC when REC indicator of intake switch is ON.
- Intake door automatic control selects FRE, 20 - 80%FRE, or REC depending on a target air mix door opening angle, based on in-vehicle temperature, ambient temperature, and sunload.



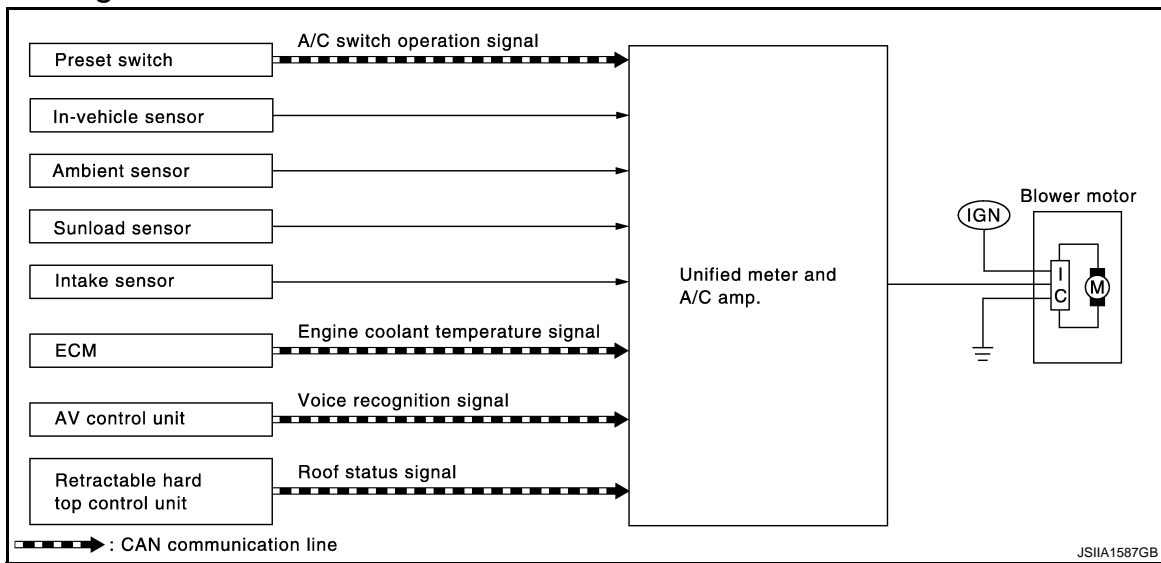
BLOWER MOTOR CONTROL SYSTEM

[AUTOMATIC AIR CONDITIONER]

< SYSTEM DESCRIPTION >

BLOWER MOTOR CONTROL SYSTEM

System Diagram



System Description

INFOID:000000005631022

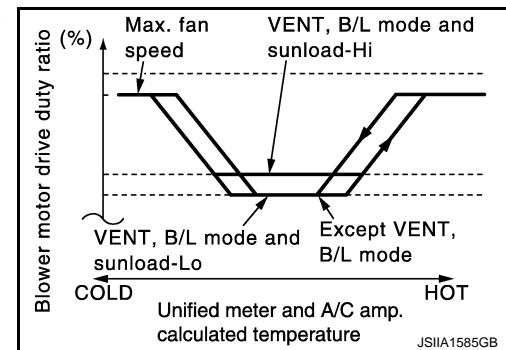
SYSTEM OPERATION

- For air flow, the manual selection (1-7 speed) with the fan control dial has priority.
- If the AUTO switch is pressed or if the DEF switch is pressed while in the OFF condition, it changes to the automatic control by unified meter and A/C amp.
- When increasing the air flow, it changes the duty ratio of blower fan motor control signal to prevent the air flow from suddenly increasing.
- There are the following types of air flow control: starting air flow control, starting air flow control at low coolant temperature, starting air flow control at high interior air temperature, air flow control at actuator operation, and air flow control at voice recognition in addition to manual control, normal automatic air flow control.

AIR FLOW CONTROL

Automatic Air Flow Control

- When the target temperature is set by the temperature control dial of preset switch, the unified meter and A/C amp. performs the calculation and decides the target air flow according to the signal from each sensor.
- The unified meter and A/C amp. changes the duty ratio of blower motor control signal and controls the air flow continuously so that the air flow becomes the target air flow.
- The minimum air flow will change according to the sunload when the air discharge outlet is VENT or B/L.



Starting Air Flow Control

- When starting the automatic control of air flow, the system gradually increases the duty ratio of the blower motor control signal to prevent too much air from blowing.
- The time period from when the air flow changes from LOW to HI is approximately 8 seconds.
- It becomes the starting air flow control at low coolant temperature according to the calculation result of auto amp and engine coolant temperature [approximately 56°C (133°F) or less] during the automatic air flow control.

BLOWER MOTOR CONTROL SYSTEM

< SYSTEM DESCRIPTION >

[AUTOMATIC AIR CONDITIONER]

- Do not perform the starting air flow control when the air discharge outlet is set to DEF.

Low Coolant Temperature Starting Control

- It stops the blower motor for approximately 150 seconds at the maximum according to the target air mix door position based on the calculation result of unified meter and A/C amp. and engine coolant temperature [approximately 56°C (133°F) or less] when starting the automatic air flow control. Then, it increases the duty ratios gently so as not to blow cold air underfoot.
- Change the increase rate of the duty ratio to the normal automatic air flow control when the engine coolant temperature is approximately 56°C (133°F) or more in the starting air flow control at low coolant temperature.

High In-vehicle Temperature Starting Control

Turn the blower motor to OFF while the evaporator is cooled by the refrigerant (approximately 3 seconds) to prevent the hot air from blowing out when the evaporator temperature is high [approximately 35°C (95°F) or more of intake sensor detection temperature] at starting the blower motor.

Fan Speed Control at Door Motor Operation

When the mode door motor operated at the air flow automatic control, it decreases the air flow of the blower motor once and controls it so that the mode door motor moves smoothly.

Fan Speed Control at Voice Recognition (With Navigation)

When the voice command switch is operated at the air flow automatic control, it decreases the air flow of the blower motor once and controls it so as not to disturb the voice recognition function. In addition, this control continues while the voice recognition function is operating.

Fan Speed Control at roof open

- Unified meter & A/C amp. receives roof status signal from retractable hard top control unit via CAN communication and detects the roof status.
 - When roof is in the open status, air flow volume correction and outlet change are automatically performed according to ambient temperature and vehicle speed.
 - When ambient temperature is lower than the specified value, temperature felt (especially in the upper half of passenger body) lowers due to wind resulting from driving speed. Therefore, unified meter & A/C amp. corrects air flow volume to increase and change outlet to B/L according to increase in vehicle speed, so that heating intensifies.
 - When ambient temperature is higher than the specified value, temperature felt (especially in the upper half of passenger body) increases due to direct sunlight because there is no wind resulting from driving speed when vehicle is stopped. Therefore, unified meter & A/C amp. corrects air flow volume increase, so that cooling intensifies.
- Air flow volume correction is decreased when vehicle speed is increased and there is wind resulting from driving speed.

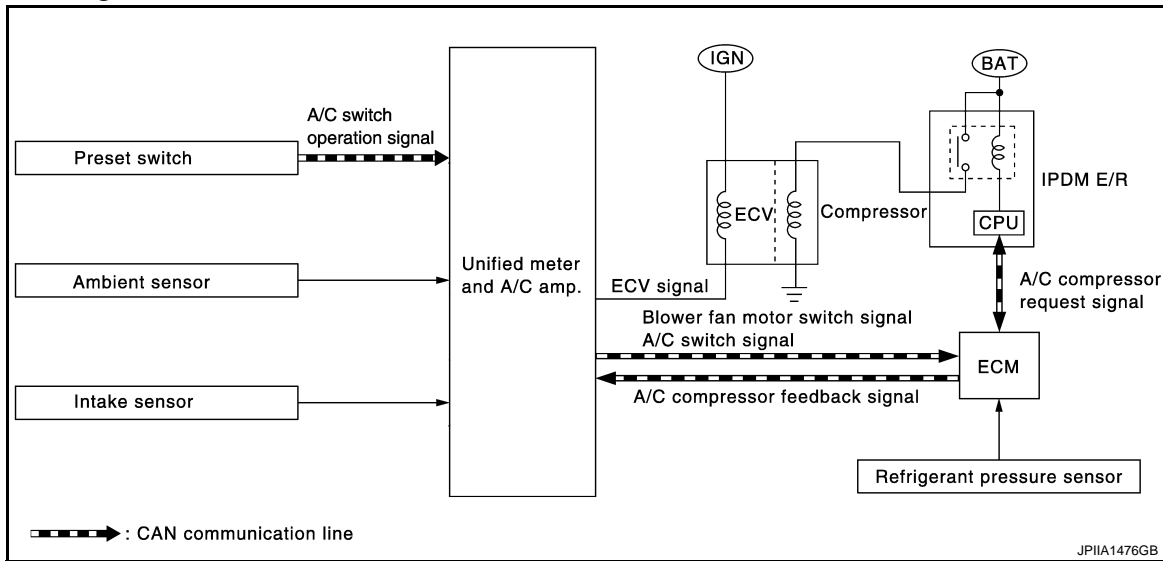
MAGNET CLUTCH CONTROL SYSTEM

< SYSTEM DESCRIPTION >

[AUTOMATIC AIR CONDITIONER]

MAGNET CLUTCH CONTROL SYSTEM

System Diagram



System Description

Unified meter and A/C amp. controls compressor operation by ambient temperature, intake air temperature and signal from ECM.

SYSTEM OPERATION

When A/C switch, AUTO switch, DEF switch is pressed, unified meter and A/C amp. transmits A/C switch signal and blower fan motor switch signal to ECM, via CAN communication.

ECM judges whether compressor can be turned ON, based on each sensor status (refrigerant-pressure sensor signal, throttle angle, etc.). If it judges compressor can be turned ON, it sends A/C compressor request signal to IPDM E/R, via CAN communication.

Upon receipt of A/C compressor request signal from ECM, IPDM E/R turns A/C relay ON to operate compressor.

When sending A/C compressor request signal to IPDM E/R via CAN communication line, ECM simultaneously sends A/C compressor feedback signal to unified meter and A/C amp. via CAN communication line.

ECM sends A/C compressor feedback signal to unified meter and A/C amp., then, uses input A/C compressor feedback signal to control air inlet.

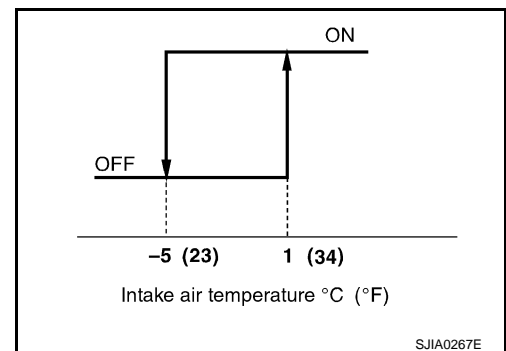
Compressor Protection Control

ECM makes the A/C relay go OFF and stops the compressor when pressure on the high-pressure side detected by refrigerant pressure sensor is over approximately 3,119 kPa (31.19 bar, 31.8 kg/cm², 452 psi), or below approximately 118 kPa (1.18 bar, 1.2 kg/cm², 17 psi).

Low Temperature Protection Control

It turns the A/C relay OFF and stops the compressor by the signal from unified meter and A/C amp. according to the evaporator passing air temperature detected by the intake sensor.

It turns the compressor to OFF when the evaporator passing air temperature becomes -5°C (23°F) or less. In addition, it turns the compressor to ON when the evaporator passing air temperature becomes 1°C (34°F) or more.



DIAGNOSIS SYSTEM (UNIFIED METER & A/C AMP.)

< SYSTEM DESCRIPTION >

[AUTOMATIC AIR CONDITIONER]

DIAGNOSIS SYSTEM (UNIFIED METER & A/C AMP.)

Diagnosis Description

INFOID:000000005631025

SELF-DIAGNOSIS SYSTEM

The self-diagnosis system is built into the unified meter and A/C amp. to quickly locate the cause of malfunctions. The self-diagnosis system diagnoses sensors, door motors, blower motor, etc. by system line. Refer to applicable sections (items) for details.

OPERATION PROCEDURE

1. Start the engine (turn ignition switch ON).

NOTE:

When checking the procedure except step-4, it is possible to perform in the state of ignition switch ON.

2. Press the OFF switch at 5 seconds or more (within 10 seconds after ignition switch is turned ON).
3. Unified meter and A/C amp. self diagnosis mode starts.
4. "Test item" are changed by the following operation.

Test item		Operation	
STEP-1	Indicator and display screen are checked.	Former STEP-1 does not exist in this self-diagnosis function.	
STEP-2	Input signals from each sensor are checked.	Turn temperature control dial (driver side) clockwise	⇒ STEP-3
STEP-3	Mode and intake door motor positions are checked.	Turn temperature control dial (driver side) clockwise	⇒ STEP-4
		Turn temperature control dial (driver side) counterclockwise	⇒ STEP-2
STEP-4*1	Door motors are checked.	Turn temperature control dial (driver side) clockwise	⇒ STEP-5 (1)
		Turn temperature control dial (driver side) counterclockwise	⇒ STEP-3
STEP-5 (1)	Temperature detected by each sensor is checked.	Turn temperature control dial (driver side) counterclockwise	⇒ STEP-4
		Press intake switch	⇒ STEP-5 (2)
		Press fan (UP: +) switch	⇒ AUXILIARY MECHANISM
STEP-5 (2)	Communication error.	Turn temperature control dial (driver side) counterclockwise	⇒ STEP-4
		Press intake switch	⇒ STEP-5 (1)
		Press fan (UP: +) switch	⇒ AUXILIARY MECHANISM
AUXILIARY MECHANISM	Temperature setting trimmer.	Press fan (DOWN: -) switch	⇒ STEP-5 (1)
	Foot position setting trimmer.		
	Inlet port memory function.		
	Gas sensor sensitivity adjustment function*2		
	Auto intake interlocking movement change function*2		

*1: Engine must be running for compressor to operate.

*2: With ACCS

5. Self-diagnosis mode is canceled by either pressing AUTO switch or turning the ignition switch OFF.

CONFORMATION METHOD

1. SET IN SELF-DIAGNOSIS MODE

1. Turn ignition switch ON.
2. Set in self-diagnosis mode as per the following. Press OFF switch for at least 5 seconds Within 10 seconds after starting engine (ignition switch is turned ON).

DIAGNOSIS SYSTEM (UNIFIED METER & A/C AMP.)

[AUTOMATIC AIR CONDITIONER]

< SYSTEM DESCRIPTION >

NOTE:

- If battery voltage drops below 12 V during diagnosis STEP-3, door motor speed becomes slower and as a result, the system may generate an error even when operation is normal. Start engine before performing this diagnosis to avoid this.
- Former STEP-1 (indicators and display screen are checked) does not exist in this self-diagnosis function.
- OFF switch may not be recognized according to the timing of pressing it. Operate OFF switch after the intake switch indicators are turned ON.

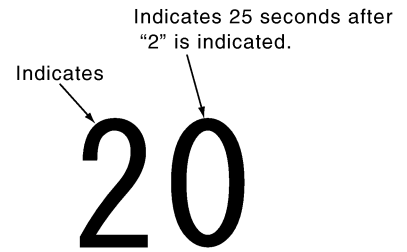
>> GO TO 2.

2. STEP-2: SENSOR AND DOOR MOTOR CIRCUITS ARE CHECKED FOR OPEN OR SHORT CIRCUIT

Does code No. 20 appear on the display?

- YES >> GO TO 3.
NO >> GO TO 11.

Display (when all sensors are in good order)



SJIA1778E

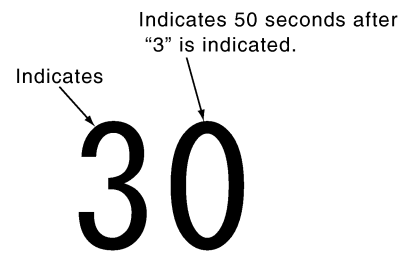
3. STEP-3: MODE DOOR AND INTAKE DOOR POSITIONS ARE CHECKED

Turn temperature control dial (driver side) clockwise.

Does code No. 30 appear on the display?

- YES >> GO TO 4.
NO >> GO TO 12.

Display (when all doors are in good order)

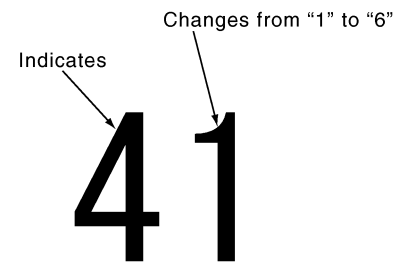


SJIA1779E

4. STEP-4: OPERATION OF EACH DOOR MOTOR IS CHECKED

1. Turn temperature control dial (driver side) clockwise.
2. Press DEF (DEF) switch. Code No. of each door motor test is indicated on the display.

>> GO TO 5.



SJIA1780E

5. CHECK DOOR MOTORS

Refer to the following chart and check discharge air flow, air temperature, blower motor duty ratio and compressor operation.

Code No.	41	42	43	44	45	46
Mode door position	VENT	B/L 1	B/L 2	FOOT	D/F	DEF
Intake door position	REC	REC	20% FRE	FRE	FRE	FRE
Air mix door position	FULL COLD	FULL COLD	FULL HOT	FULL HOT	FULL HOT	FULL HOT

DIAGNOSIS SYSTEM (UNIFIED METER & A/C AMP.)

< SYSTEM DESCRIPTION >

[AUTOMATIC AIR CONDITIONER]

Code No.	41	42	43	44	45	46
Blower motor duty ratio	37%	91%	65%	65%	65%	91%
Compressor (Magnet clutch)	ON	ON	OFF	OFF	ON	ON
Electronic control valve (ECV) duty ratio	100%	100%	0%	0%	50%	100%
Ionizer*	ON	ON	ON	ON	ON	OFF
Ion mode*	CLEAN	QUICK CLEAN	QUICK CLEAN	QUICK CLEAN	QUICK CLEAN	OFF

*: With ACCS

Checks must be made visually, by listening the sound, or by touching air outlets with hand, etc. for improper operation. Refer to [VTL-5, "System Description"](#).

Is this inspection result normal?

- YES >> GO TO 6.
- NO-1 >> Air outlet does not change. Refer to [HAC-51, "Diagnosis Procedure"](#).
- NO-2 >> Intake door does not change. Refer to [HAC-57, "Diagnosis Procedure"](#).
- NO-3 >> Discharge air temperature (driver side) does not change. Refer to [HAC-53, "Diagnosis Procedure"](#).
- NO-4 >> Discharge air temperature (passenger side) does not change. Refer to [HAC-55, "Diagnosis Procedure"](#).
- NO-5 >> Blower motor operation is malfunctioning. Refer to [HAC-59, "Diagnosis Procedure"](#).
- NO-6 >> Magnet clutch does not engage. Refer to [HAC-62, "Diagnosis Procedure"](#).
- NO-7 >> Plasmacluster system does not operate. Refer to [HAC-80, "Diagnosis Procedure"](#).

6.STEP-5: TEMPERATURE OF EACH SENSOR IS CHECKED

1. Turn temperature control dial (driver side) clockwise.
2. Code No. 51 appears on the display.

>> GO TO 7.

7.CHECK AMBIENT SENSOR

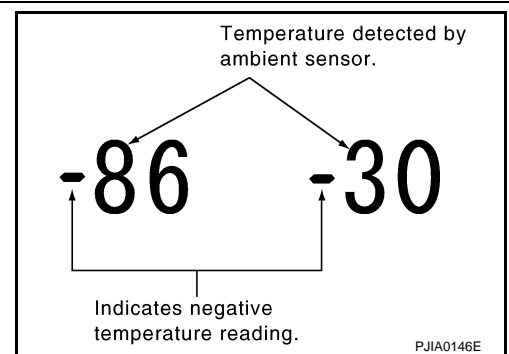
Press DEF (☞) switch one time. Temperature detected by ambient sensor is indicated on the display.

NOTE:

Check sensor circuit first if the temperature indicated on the display greatly differs from the actual temperature, and then check sensor.

Is this inspection result normal?

- YES >> GO TO 8.
- NO >> Go to Ambient Sensor Circuit. Refer to [HAC-66, "Diagnosis Procedure"](#).



8.CHECK IN-VEHICLE SENSOR

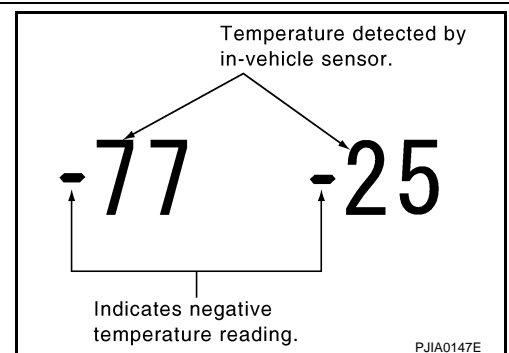
Press DEF (☞) switch for the second time. Temperature detected by in-vehicle sensor is indicated on the display.

NOTE:

Check sensor circuit first if the temperature indicated on the display greatly differs from the actual temperature, and then check sensor.

Is this inspection result normal?

- YES >> GO TO 9.
- NO >> Go to In-vehicle Sensor Circuit. Refer to [HAC-69, "Diagnosis Procedure"](#).



9.CHECK INTAKE SENSOR

DIAGNOSIS SYSTEM (UNIFIED METER & A/C AMP.)

[AUTOMATIC AIR CONDITIONER]

< SYSTEM DESCRIPTION >

Press DEF (⚡) switch for the third time. Temperature detected by intake sensor is indicated on the display.

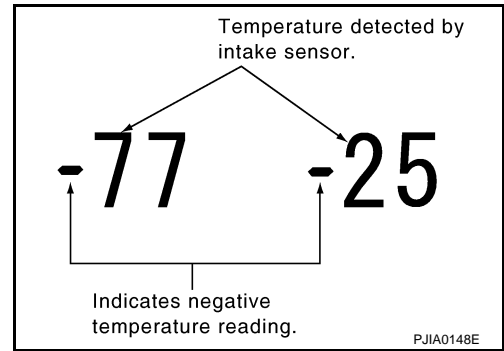
NOTE:

Check sensor circuit first if the temperature indicated on the display greatly differs from the actual temperature, and then check sensor.

Is this inspection result normal?

YES >> GO TO 10.

NO >> Go to Intake Sensor Circuit. Refer to [HAC-75, "Diagnosis Procedure"](#).



10. CHECK CAN COMMUNICATION ERROR

1. Press intake switch.
2. CAN communication error between each unit that uses the unified meter and A/C amp. can be detected as self-diagnosis results. (The display of each error will blink twice for 0.5 second intervals if plural errors occur.)

Is the inspection result normal?

YES >> INSPECTION END

NO >> Go to CAN communication (Unified meter and A/C amp. - AV control unit). Refer to [MWI-39, "Diagnosis Procedure"](#).

Display	CAN communication error
52	In good order
52 ■■■■■■	AV Control unit ⇨ Unified meter and A/C amp.
52 ■■■■■■	Unified meter and A/C amp. ⇨ All unit

11. CHECK MALFUNCTIONING SENSOR AND DOOR MOTOR

Refer to the following chart for malfunctioning code No.

(Corresponding code Nos. indicates 1 second each if two or more sensors and door motors malfunction.)

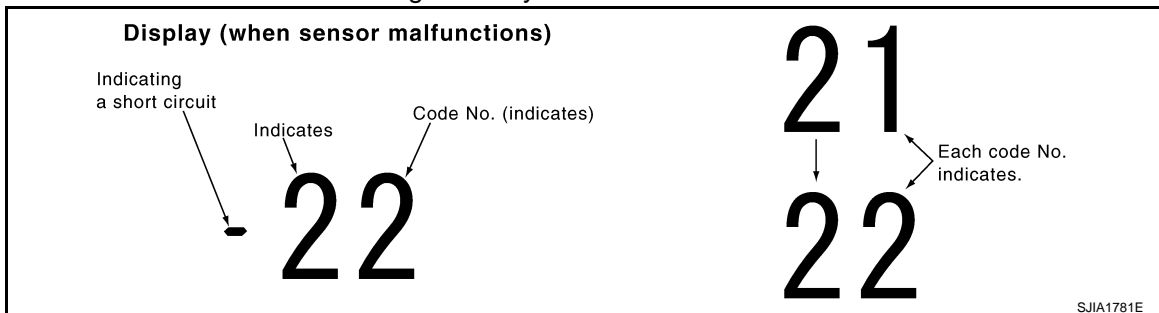
(Corresponding code Nos. indicates 0.5 second each if two door motors malfunction.)

Code No.	Malfunctioning sensor and door motor (Including circuits)	Reference
21 / -21	Ambient sensor	HAC-66, "Diagnosis Procedure"
22 / -22	In-vehicle sensor	HAC-69, "Diagnosis Procedure"
24 / -24	Intake sensor	HAC-75, "Diagnosis Procedure"
25 / -25	Sunload sensor *1	HAC-72, "Diagnosis Procedure"
26 / -26	Air mix door motor PBR (Driver side)	HAC-53, "Diagnosis Procedure"
27 / -27	Air mix door motor PBR (Passenger side)	HAC-55, "Diagnosis Procedure"
28 / -28	Gas sensor *2	HAC-77, "Diagnosis Procedure"
29 / -29	Harness of gas sensor *2	

*1: Perform self-diagnosis STEP-2 under sunshine.

*2: With ACCS

When performing indoors, aim a light (more than 60 W) at sunload sensor, otherwise code No. 25 indicates despite that sunload sensor is functioning normally.



>> INSPECTION END

DIAGNOSIS SYSTEM (UNIFIED METER & A/C AMP.)

< SYSTEM DESCRIPTION >

[AUTOMATIC AIR CONDITIONER]

12.CHECK MALFUNCTIONING DOOR MOTOR POSITION SWITCH

Mode and/or intake door motor PBR(s) is/are malfunctioning.

Code No. *1 *2	Mode or intake door position		Reference
31	VENT	Mode door motor	HAC-51. "Diagnosis Procedure"
32	DEF		
37	FRE	Intake door motor	HAC-57. "Diagnosis Procedure"
38	20% FRE		
39	REC		

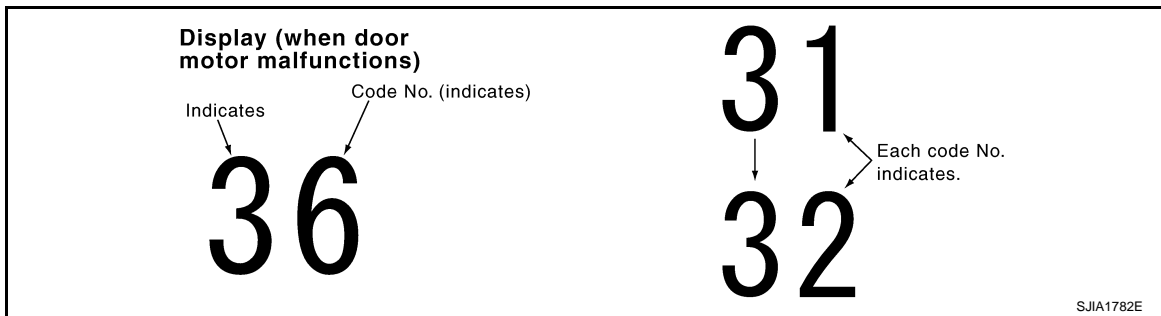
(Corresponding code Nos. indicates 1 second each if two or more mode or intake door motors malfunction.)

*1: The following display pattern will appear if mode door motor harness connector is disconnected.

31→32→Return to 31

*2: The following display pattern will appear if intake door motor harness connector is disconnected.

37→38→39→Return to 37



>> INSPECTION END

POWER SUPPLY AND GROUND CIRCUIT

< DTC/CIRCUIT DIAGNOSIS >

[AUTOMATIC AIR CONDITIONER]

DTC/CIRCUIT DIAGNOSIS

POWER SUPPLY AND GROUND CIRCUIT UNIFIED METER AND A/C AMP.

UNIFIED METER AND A/C AMP. : Diagnosis Procedure

INFOID:000000005631026

1. CHECK FUSE

Check 10A fuses [Nos. 3, 11 and 19, located in the fuse block (J/B)].

NOTE:

Refer to [PG-121, "Fuse, Connector and Terminal Arrangement"](#).

Is the inspection result normal?

YES >> GO TO 2.

NO >> Check harness for short circuit and replace fuse.

2. CHECK POWER SUPPLY CIRCUIT FOR UNIFIED METER AND A/C AMP.

1. Turn ignition switch OFF.
2. Disconnect unified meter and A/C amp. connector.
3. Check voltage between unified meter and A/C amp. harness connector and ground.

(+)		(-)	Voltage		
Unified meter and A/C amp.		—	Ignition switch position		
Connector	Terminal		OFF	ACC	ON
M67	54	Ground	Battery voltage	Battery voltage	Battery voltage
	41		Approx. 0 V	Battery voltage	Battery voltage
	53		Approx. 0 V	Approx. 0 V	Battery voltage

Is the inspection result normal?

YES >> GO TO 3.

NO >> Repair harness or connector.

3. CHECK GROUND CIRCUIT FOR UNIFIED METER AND A/C AMP.

1. Turn ignition switch OFF.
2. Check continuity between unified meter and A/C amp. harness connector and ground.

Unified meter and A/C amp.		(-)	Continuity
Connector	Terminal	—	Continuity
M67	55		
	71		

Is the inspection result normal?

YES >> INSPECTION END

NO >> Repair harness or connector.

UNIFIED METER AND A/C AMP.

< DTC/CIRCUIT DIAGNOSIS >

[AUTOMATIC AIR CONDITIONER]

UNIFIED METER AND A/C AMP.

Description

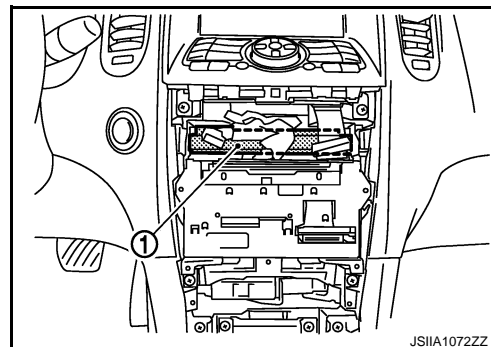
INFOID:000000005631027

COMPONENT DESCRIPTION

Unified Meter and A/C Amp. (Automatic Amplifier)

The unified meter and A/C amp. (1) has a built-in microcomputer which processes information sent from various sensors needed for air conditioner operation. The air mix door motors, mode door motor, intake door motor, blower motor and compressor are then controlled. When the various switches and temperature control dial are operated, data is input to the unified meter and A/C amp. from the AV control unit using CAN communication.

Self-diagnosis functions are also built into unified meter and A/C amp. to provide quick check of malfunctions in the auto air conditioner system.



Component Function Check

INFOID:000000005631028

1. CONFIRM SYMPTOM BY PERFORMING THE FOLLOWING OPERATIONAL CHECK

1. Press AUTO switch.
2. Display should indicate AUTO. Confirm that the compressor clutch engages (sound or visual inspection). (Discharge air and fan speed depend on ambient, in-vehicle and set temperatures.)

Does magnet clutch engaged?

YES >> INSPECTION END

NO >> Go to Diagnosis Procedure. Refer to [HAC-50. "Diagnosis Procedure"](#).

Diagnosis Procedure

INFOID:000000005631029

1. INSPECTION BY FAIL-SAFE FUNCTION

1. Turn the ignition switch ON.
2. After approximately 30 seconds, check that the air conditioner is operated by the fail-safe function (the operation display of air conditioner is not performed). Refer to [HAC-115. "Fail-safe"](#).

Is the fail-safe function operated?

YES >> GO TO 3.

NO >> GO TO 2.

2. CHECK UNIFIED METER AND A/C AMP. POWER SUPPLY CIRCUIT AND GROUND

Check unified meter and A/C amp. power supply circuit and ground circuit. Refer to [HAC-49. "UNIFIED METER AND A/C AMP. : Diagnosis Procedure"](#).

Is the inspection result normal?

YES >> GO TO 3.

NO >> Repair or replace parts according to the inspection results.

3. CHECK PRESET SWITCH

Check preset switch. Refer to the following.

- [AV-104. "Symptom Table"](#) (BASE AUDIO WITHOUT NAVIGATION)
- [AV-243. "Symptom Table"](#) (BOSE AUDIO WITHOUT NAVIGATION)
- [AV-400. "Symptom Table"](#) (BOSE AUDIO WITH NAVIGATION)

Is the inspection result normal?

YES >> Replace unified meter and A/C amp.

NO >> Repair or replace malfunctioning part.

MODE DOOR MOTOR

Description

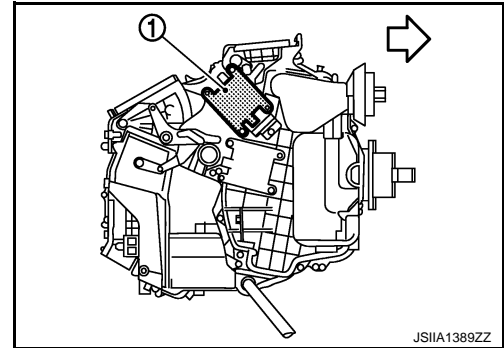
INFOID:000000005631030

COMPONENT DESCRIPTION

Mode Door Motor

The mode door motor (1) is attached to the heater & cooling unit assembly. It rotates so that air is discharged from the outlet set by the unified meter and A/C amp. Motor rotation is conveyed to a link which activates the mode door.

←: Vehicle front



Component Function Check

INFOID:000000005631031

1.CONFIRM SYMPTOM BY PERFORMING THE FOLLOWING OPERATIONAL CHECK

1. Press MODE switch and DEF switch.
2. Check that the air outlets change according to each indicated air outlet by placing a hand in front of the outlets. Refer to [VTL-5, "System Description"](#).

Is the inspection result normal?

YES >> INSPECTION END

NO >> Go to diagnosis procedure. Refer to [HAC-51, "Diagnosis Procedure"](#).

Diagnosis Procedure

INFOID:000000005631032

1.CHECK MODE DOOR CONTROL LINKAGE

Check mode door control linkage is properly installed. Refer to [HAC-136, "Exploded View"](#).

Is it installed normally?

YES >> GO TO 2.

NO >> Repair or adjust control linkage.

2.CHECK POWER SUPPLY FOR MODE DOOR MOTOR

Check voltage between mode door motor harness connector and ground.

(+)		(-)	Voltage (Approx.)
Mode door motor		—	
Connector	Terminal		
M253	1	Ground	12 V

Is the inspection result normal?

YES >> GO TO 3.

NO >> Repair harness or connector.

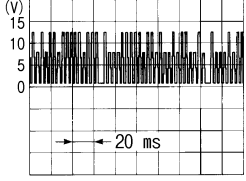
3.CHECK SIGNAL FOR MODE DOOR MOTOR

Confirm A/C LAN signal between mode door motor harness connector and ground using an oscilloscope.

MODE DOOR MOTOR

< DTC/CIRCUIT DIAGNOSIS >

[AUTOMATIC AIR CONDITIONER]

(+)		(-)	Voltage
Mode door motor		—	
Connector	Terminal		
M253	3	Ground	 <p style="text-align: right; font-size: small;">SJIA1453J</p>

Is the inspection result normal?

YES >> GO TO 4.

NO >> Repair harness or connector.

4. CHECK MODE DOOR MOTOR GROUND CIRCUIT

1. Turn ignition switch OFF.
2. Disconnect mode door motor connector.
3. Check continuity between mode door motor harness connector and ground.

Mode door motor		—	Continuity
Connector	Terminal		
M253	2	Ground	Existed

Is the inspection result normal?

YES >> Replace mode door motor.

NO >> Repair harness or connector.

AIR MIX DOOR MOTOR (DRIVER SIDE)

< DTC/CIRCUIT DIAGNOSIS >

[AUTOMATIC AIR CONDITIONER]

AIR MIX DOOR MOTOR (DRIVER SIDE)

Description

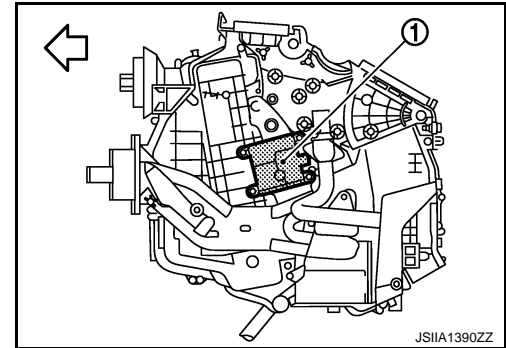
INFOID:000000005631033

COMPONENT DESCRIPTION

Air Mix Door Motor

The air mix door motor (driver side) (1) is attached to the heater & cooling unit assembly. It rotates so that the air mix door is opened or closed to a position set by the unified meter and A/C amp. Motor rotation is then conveyed through a shaft and the air mix door position feedback is then sent to the unified meter and A/C amp. by PBR built-in air mix door motors.

←: Vehicle front



Component Function Check

INFOID:000000005631034

1. CONFIRM SYMPTOM BY PERFORMING THE FOLLOWING OPERATIONAL CHECK

1. Turn temperature control dial (driver side) clockwise until 32.0°C (90°F) is displayed.
2. Check for warm air at discharge air outlets.
3. Turn temperature control dial (driver side) counterclockwise until 18.0°C (60°F) is displayed.
4. Check for cool air at discharge air outlets.

Is the inspection result normal?

YES >> INSPECTION END

NO >> Go to diagnosis procedure. Refer to [HAC-53. "Diagnosis Procedure"](#).

Diagnosis Procedure

INFOID:000000005631035

1. CHECK INSTALLATION OF AIR MIX DOOR MOTOR (DRIVER SIDE)

Check air mix door motor (driver side) is properly installed. Refer to [HAC-136. "Exploded View"](#).

Is it installed normally?

YES >> GO TO 2.

NO >> Repair or replace air mix door motor.

2. CHECK POWER SUPPLY FOR AIR MIX DOOR MOTOR (DRIVER SIDE)

Check voltage between air mix door motor (driver side) harness connector and ground.

(+)		(-)	Voltage (Approx.)	
Air mix door motor		—		12 V
Connector	Terminal			
M252	1	Ground		

Is the inspection result normal?

YES >> GO TO 3.

NO >> Repair harness or connector.

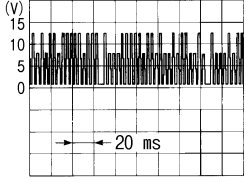
3. CHECK SIGNAL FOR AIR MIX DOOR MOTOR (DRIVER SIDE)

Confirm A/C LAN signal between air mix door motor (driver side) harness connector and ground using an oscilloscope.

AIR MIX DOOR MOTOR (DRIVER SIDE)

< DTC/CIRCUIT DIAGNOSIS >

[AUTOMATIC AIR CONDITIONER]

(+)		(-)	Voltage
Air mix door motor		—	
Connector	Terminal		
M252	3	Ground	

SJIA1453J

Is the inspection result normal?

YES >> GO TO 4.

NO >> Repair harness or connector.

4. CHECK AIR MIX DOOR MOTOR (DRIVER SIDE) GROUND CIRCUIT

1. Turn ignition switch OFF.
2. Disconnect air mix door motor (driver side) connector.
3. Check continuity between air mix door motor (driver side) harness connector and ground.

Air mix door motor		—	Continuity
Connector	Terminal		
M252	2	Ground	Existed

Is the inspection result normal?

YES >> Replace air mix door motor (driver side).

NO >> Repair harness or connector.

AIR MIX DOOR MOTOR (PASSENGER SIDE)

< DTC/CIRCUIT DIAGNOSIS >

[AUTOMATIC AIR CONDITIONER]

AIR MIX DOOR MOTOR (PASSENGER SIDE)

Description

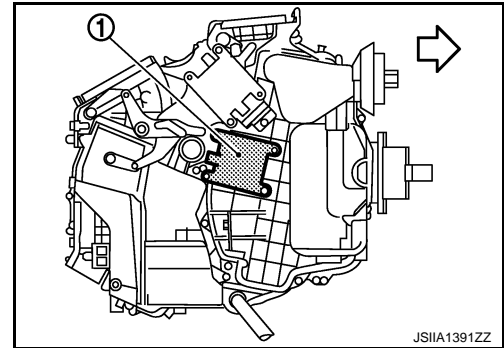
INFOID:000000005631036

COMPONENT DESCRIPTION

Air Mix Door Motor

The air mix door motor (passenger side) (1) is attached to the heater & cooling unit assembly. It rotates so that the air mix door is opened or closed to a position set by the unified meter and A/C amp. Motor rotation is then conveyed through a shaft and the air mix door position feedback is then sent to the unified meter and A/C amp. by PBR built-in air mix door motors.

←: Vehicle front



Component Function Check

INFOID:000000005631037

1.CONFIRM SYMPTOM BY PERFORMING THE FOLLOWING OPERATIONAL CHECK

1. Turn temperature control dial (passenger side) clockwise until 32.0°C (90°F) is displayed.
2. Check for warm air at discharge air outlets.
3. Turn temperature control dial (passenger side) counterclockwise until 18.0°C (60°F) is displayed.
4. Check for cool air at discharge air outlets.

Is the inspection result normal?

YES >> INSPECTION END

NO >> Go to diagnosis procedure. Refer to [HAC-55. "Diagnosis Procedure"](#).

Diagnosis Procedure

INFOID:000000005631038

1.CHECK INSTALLATION OF AIR MIX DOOR MOTOR (PASSENGER SIDE)

Check air mix door motor (passenger side) is properly installed. Refer to [HAC-136. "Exploded View"](#).

Is it installed normally?

YES >> GO TO 2.

NO >> Repair or replace air mix door motor.

2.CHECK POWER SUPPLY FOR AIR MIX DOOR MOTOR (PASSENGER SIDE)

Check voltage between air mix door motor (passenger side) harness connector and ground.

(+)		(-)	Voltage (Approx.)
Air mix door motor		—	
Connector	Terminal		
M255	1	Ground	12 V

Is the inspection result normal?

YES >> GO TO 3.

NO >> Repair harness or connector.

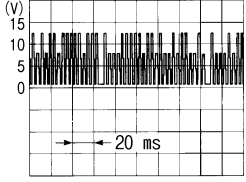
3.CHECK SIGNAL FOR AIR MIX DOOR MOTOR (PASSENGER SIDE)

Confirm A/C LAN signal between air mix door motor (passenger side) harness connector and ground using an oscilloscope.

AIR MIX DOOR MOTOR (PASSENGER SIDE)

< DTC/CIRCUIT DIAGNOSIS >

[AUTOMATIC AIR CONDITIONER]

(+)		(-)	Voltage
Air mix door motor		—	
Connector	Terminal	—	
M255	3	Ground	

Is the inspection result normal?

YES >> GO TO 4.

NO >> Repair harness or connector.

4. CHECK AIR MIX DOOR MOTOR (PASSENGER SIDE) GROUND CIRCUIT

1. Turn ignition switch OFF.
2. Disconnect air mix door motor (passenger side) connector.
3. Check continuity between air mix door motor (passenger side) harness connector and ground.

Air mix door motor		—	Continuity
Connector	Terminal	—	
M255	2	Ground	Existed

Is the inspection result normal?

YES >> Replace air mix door motor (passenger side).

NO >> Repair harness or connector.

INTAKE DOOR MOTOR

< DTC/CIRCUIT DIAGNOSIS >

[AUTOMATIC AIR CONDITIONER]

INTAKE DOOR MOTOR

Description

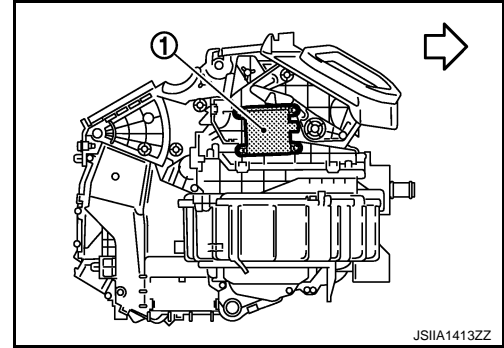
INFOID:000000005631039

COMPONENT DESCRIPTION

Intake Door Motor

The intake door motor (1) is attached to the blower unit. It rotates so that air is drawn from inlets set by the unified meter and A/C amp. Motor rotation is conveyed to a lever which activates the intake door.

←: Vehicle front



Component Function Check

INFOID:000000005631040

1. CONFIRM SYMPTOM BY PERFORMING THE FOLLOWING OPERATIONAL CHECK

1. Press intake switch.
2. REC indicator turns ON.
3. Listen for intake door position change (Slight change of blower sound can be heard).
4. Press intake switch again.
5. FRE indicator turns ON.

Is the inspection result normal?

YES >> INSPECTION END

NO >> Go to diagnosis procedure. Refer to [HAC-57, "Diagnosis Procedure"](#).

Diagnosis Procedure

INFOID:000000005631041

1. CHECK INTAKE DOOR CONTROL LINKAGE

Check intake door control linkage is properly installed. Refer to [HAC-136, "Exploded View"](#).

Is it installed normally?

YES >> GO TO 2.

NO >> Repair or adjust control linkage.

2. CHECK POWER SUPPLY FOR INTAKE DOOR MOTOR

Check voltage between intake door motor harness connector and ground.

(+)		(-)	Voltage (Approx.)	
Intake door motor		—		12 V
Connector	Terminal			
M254	1	Ground		

Is the inspection result normal?

YES >> GO TO 3.

NO >> Repair harness or connector.

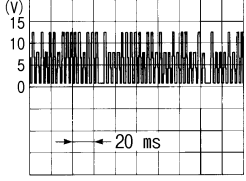
3. CHECK SIGNAL FOR INTAKE DOOR MOTOR

Confirm A/C LAN signal between intake door motor harness connector and ground using an oscilloscope.

INTAKE DOOR MOTOR

< DTC/CIRCUIT DIAGNOSIS >

[AUTOMATIC AIR CONDITIONER]

(+)		(-)	Voltage
Intake door motor		—	
Connector	Terminal		
M254	3	Ground	 <p style="text-align: right; font-size: small;">SJIA1453J</p>

Is the inspection result normal?

- YES >> GO TO 4.
 NO >> Repair harness or connector.

4. CHECK INTAKE DOOR MOTOR GROUND CIRCUIT

1. Turn ignition switch OFF.
2. Disconnect intake door motor connector.
3. Check continuity between intake door motor harness connector and ground.

Intake door motor		—	Continuity
Connector	Terminal		
M254	2	Ground	Existed

Is the inspection result normal?

- YES >> Replace intake door motor.
 NO >> Repair harness or connector.

BLOWER MOTOR

< DTC/CIRCUIT DIAGNOSIS >

[AUTOMATIC AIR CONDITIONER]

BLOWER MOTOR

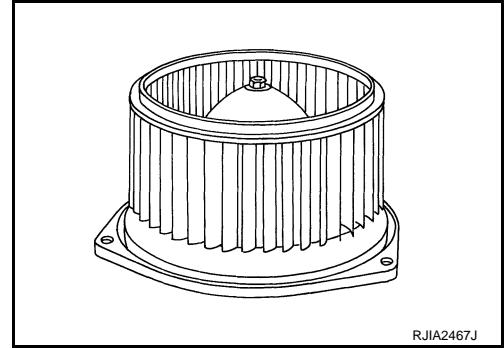
Description

INFOID:000000005631042

COMPONENT DESCRIPTION

Brush-less Motor

The blower motor utilizes a brush-less motor with a rotating magnet. Quietness is improved over previous motors where the brush was the point of contact and the coil rotated.

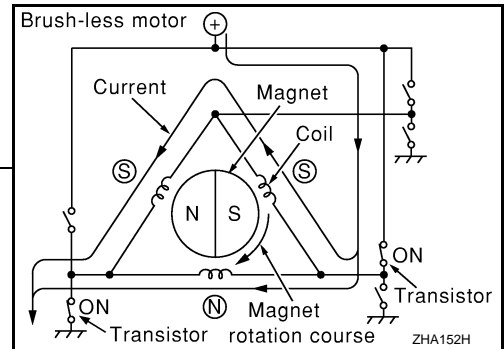


RJIA2467J

Component Function Check

INFOID:000000005631043

1. CONFIRM SYMPTOM BY PERFORMING THE FOLLOWING OPERATIONAL CHECK



1. Start engine and warm it up to normal operating temperature.
2. Press fan (UP: +) switch. Blower should operate on low speed.
3. Press fan (UP: +) switch, and continue checking fan speed and fan symbol until all speeds checked.

Is the inspection result normal?

YES >> INSPECTION END

NO >> Go to diagnosis procedure. Refer to [HAC-59, "Diagnosis Procedure"](#).

Diagnosis Procedure

INFOID:000000005631044

1. CHECK POWER SUPPLY FOR THE BLOWER MOTOR

1. Turn ignition switch OFF.
2. Disconnect the blower motor connector.
3. Turn ignition switch ON.
4. Check voltage between the blower motor harness connector and ground.

(+)		(-)	Voltage
Blower motor		—	
Connector	Terminal		
M109	1	Ground	Battery voltage

Is the inspection result normal?

YES >> GO TO 2.

NO >> GO TO 5.

2. CHECK THE BLOWER MOTOR GROUND CIRCUIT

1. Turn ignition switch OFF.
2. Check continuity between the blower motor harness connector and ground.

BLOWER MOTOR

< DTC/CIRCUIT DIAGNOSIS >

[AUTOMATIC AIR CONDITIONER]

Blower motor		—	Continuity
Connector	Terminal		
M109	3	Ground	Existed

Is the inspection result normal?

YES >> GO TO 3.

NO >> Repair harness or connector.

3. CHECK CIRCUIT CONTINUITY BETWEEN THE BLOWER MOTOR AND UNIFIED METER AND A/C AMP.

1. Disconnect unified meter and A/C amp. connector.
2. Check continuity between the blower motor harness connector and unified meter and A/C amp. harness connector.

Blower motor		Unified meter and A/C amp.		Continuity
Connector	Terminal	Connector	Terminal	
M109	2	M66	38	Existed

3. Check continuity between the blower motor harness connector and ground.

Blower motor		—	Continuity
Connector	Terminal		
M109	2	ground	Not existed

Is the inspection result normal?

YES >> GO TO 4.

NO >> Repair harness or connector.

4. CHECK UNIFIED METER AND A/C AMP. OUTPUT SIGNAL

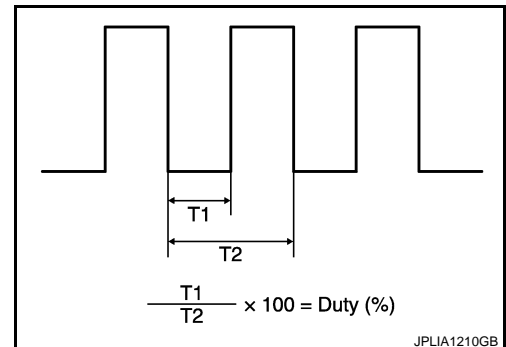
1. Reconnect the blower motor connector and unified meter and A/C amp. connector.
2. Turn ignition switch ON.
3. Set MODE switch to VENT position.
4. Change fan speed from Lo to Hi, and check duty ratios between the blower motor harness connector and ground by using an oscilloscope.

NOTE:

Calculate the drive signal duty ratio as shown in the figure.

T2 = 1.6 ms

Blower motor		Condition	Duty ratio (Approx.)
Connector	Terminal	<ul style="list-style-type: none"> • fan speed: manual • VENT mode 	
M109	2	1st	25 %
		2nd	33 %
		3rd	41 %
		4th	51 %
		5th	61 %
		6th	71 %
		7th	83 %



Is the inspection result normal?

YES >> Replace the blower motor after confirming the fan air flow does not change.

NO >> Replace unified meter and A/C amp.

5. CHECK POWER VOLTAGE OF BLOWER RELAY

1. Turn ignition switch OFF.

BLOWER MOTOR

[AUTOMATIC AIR CONDITIONER]

< DTC/CIRCUIT DIAGNOSIS >

- Remove blower relay. Refer to [PG-121, "Fuse, Connector and Terminal Arrangement"](#).
- Turn ignition switch ON.
- Check the voltage between blower relay fuse block terminals and ground. Refer to [PG-119, "Description"](#) for relay terminal assignment.

(+)	(-)	Voltage
Blower relay	—	
1	Ground	Battery voltage
3		

Is the inspection result normal?

YES >> GO TO 6.

NO >> Check ignition power supply circuit. Refer to [PG-70, "Wiring Diagram - IGNITION POWER SUPPLY -"](#).

6.CHECK BLOWER RELAY

- Turn ignition switch OFF.
- Install blower relay. Refer to [PG-121, "Fuse, Connector and Terminal Arrangement"](#).
- Check operation sound of the blower relay after switching ignition switch ON.

Is the inspection result normal?

YES >> GO TO 7.

NO >> Replace blower relay.

7.CHECK FUSE

Check fuse 15A [Nos 21 and 22, located in the fuse block (J/B)]. Refer to [PG-121, "Fuse, Connector and Terminal Arrangement"](#).

Is the inspection result normal?

YES >> Repair harness or connector.

NO >> Be sure to eliminate cause of malfunction before installing new fuse.

Component Inspection

INFOID:0000000005631045

1.CHECK THE BLOWER MOTOR

- Remove the blower motor. Refer to [VTL-16, "Exploded View"](#).
- Confirm smooth rotation of the blower motor.

Is the inspection result normal?

YES >> INSPECTION END

NO >> Replace the blower motor.

A
B
C
D
E
F
G
H
J
K
L
M
N
O
P

HAC

MAGNET CLUTCH

< DTC/CIRCUIT DIAGNOSIS >

[AUTOMATIC AIR CONDITIONER]

MAGNET CLUTCH

Description

INFOID:000000005631046

Magnet clutch drives a compressor, by a signal of IPDM E/R.

Component Function Check

INFOID:000000005631047

1.CONFIRM SYMPTOM BY PERFORMING THE FOLLOWING OPERATIONAL CHECK

1. Press AUTO switch.
2. Display should indicate AUTO. Confirm that the magnet clutch engages (sound or visual inspection). (Discharge air and fan speed depend on ambient, in-vehicle and set temperatures.)

Does the magnet clutch operate?

- YES >> INSPECTION END
NO >> Go to Diagnosis Procedure. Refer to [HAC-62. "Diagnosis Procedure"](#).

Diagnosis Procedure

INFOID:000000005631048

1.PERFORM IPDM E/R AUTO ACTIVE TEST

Perform IPDM E/R auto active test. Refer to [PCS-9. "Diagnosis Description"](#).

Does the magnet clutch operate?

- YES-1 >> WITH CONSULT-III: GO TO 4.
YES-2 >> WITHOUT CONSULT-III: GO TO 5.
NO >> Check 10A fuse (No. 49, located in IPDM E/R), and GO TO 2.

2.CHECK CIRCUIT CONTINUITY BETWEEN IPDM E/R AND COMPRESSOR

1. Turn ignition switch OFF.
2. Disconnect IPDM E/R connector and compressor connector.
3. Check continuity between IPDM E/R harness connector and compressor harness connector.

IPDM E/R		Compressor		Continuity
Connector	Terminal	Connector	Terminal	
E7	48	F43	1	Existed

Is the inspection result normal?

- YES >> GO TO 3.
NO >> Repair harness or connector.

3.CHECK MAGNET CLUTCH CIRCUIT

Check for operation sound when applying battery voltage direct current to terminal.

Is the inspection result normal?

- YES >> Replace IPDM E/R.
NO >> Replace compressor.

4.CHECK CAN COMMUNICATION

Check CAN communication. Refer to [LAN-16. "Trouble Diagnosis Flow Chart"](#).

- ECM – IPDM E/R
- ECM – Unified meter and A/C amp.

Is the inspection result normal?

- YES >> GO TO 5.
NO >> Repair or replace malfunctioning part.

5.CHECK REFRIGERANT PRESSURE SENSOR

WITH CONSULT-III

1. Start the engine.
2. Check voltage of refrigerant pressure sensor in "Data monitor". Refer to [EC-510. "Reference Value"](#).

WITHOUT CONSULT-III

MAGNET CLUTCH

[AUTOMATIC AIR CONDITIONER]

< DTC/CIRCUIT DIAGNOSIS >

Check voltage between ECM harness connector and ground. Refer to [EC-508, "Component Function Check"](#).

Is the inspection result normal?

YES-1 >> WITH CONSULT-III: GO TO 6.

YES-2 >> WITHOUT CONSULT-III: Repair harness or connector.

NO >> Refer to [EC-508, "Diagnosis Procedure"](#).

6. CHECK ECM INPUT SIGNAL

Check A/C switch signal and blower fan motor switch signal in "Data monitor". Refer to [EC-510, "Reference Value"](#).

Monitor item	Condition	Status
AIR COND SIG	A/C switch: OFF	Off
	A/C switch: ON	On
HEATER FAN SW	Fan switch: OFF	Off
	Fan switch: ON	On

Is the inspection result normal?

YES >> GO TO 7.

NO >> Replace unified meter and A/C amp.

7. CHECK IPDM E/R INPUT SIGNAL

Check A/C compressor request signal in "Data monitor". Refer to [EC-510, "Reference Value"](#).

Is the inspection result normal?

YES >> Replace IPDM E/R.

NO >> Replace ECM.

A
B
C
D
E
F
G
H
J
K
L
M
N
O
P

HAC

ECV (ELECTRICAL CONTROL VALVE)

[AUTOMATIC AIR CONDITIONER]

< DTC/CIRCUIT DIAGNOSIS >

ECV (ELECTRICAL CONTROL VALVE)

Description

INFOID:000000005631049

The ECV (electrical control valve) is installed on the compressor and controls it for emitting appropriate amount of refrigerant when necessary.

Diagnosis Procedure

INFOID:000000005631050

1. CHECK FUSE

Check 10A fuse [No. 3, located in the fuse block (J/B)].

NOTE:

Refer to [PG-121, "Fuse, Connector and Terminal Arrangement"](#).

Is the inspection result normal?

YES >> GO TO 2.

NO >> Replace the fuse after repairing the applicable circuit.

2. CHECK ECV POWER SUPPLY CIRCUIT

1. Turn the ignition switch OFF.
2. Disconnect the ECV connector.
3. Turn the ignition switch ON.
4. Check voltage between the ECV harness connector and ground.

(+)		(-)	Voltage
ECV		—	
Connector	Terminal		
F44	2	Ground	Battery voltage

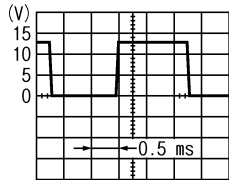
Is the inspection result normal?

YES >> GO TO 3.

NO >> Repair the harnesses or connectors.

3. CHECK ECV CONTROL SIGNAL

1. Turn the ignition switch OFF.
2. Connect the ECV connector.
3. Perform the self-diagnosis STEP-4 (Code No. 45). Refer to [HAC-44, "Diagnosis Description"](#).
4. Check output waveform between the unified meter and A/C amp. harness connector and ground with the oscilloscope.

(+)		(-)	Condition	Output waveform
unified meter and A/C amp.		—		
Connector	Terminal			
M67	65	Ground	<ul style="list-style-type: none">• Ignition switch ON• Self-diagnosis. STEP-4 (Code No. 45)	Duty ratio: approx. 50 %  SJIA1607E

Is the inspection result normal?

YES >> Replace the compressor.

NO >> GO TO 4.

4. CHECK CONTINUITY BETWEEN ECV AND UNIFIED METER AND A/C AMP.

1. Turn the ignition switch OFF.
2. Disconnect the ECV connector.

ECV (ELECTRICAL CONTROL VALVE)

[AUTOMATIC AIR CONDITIONER]

< DTC/CIRCUIT DIAGNOSIS >

- 3. Disconnect the unified meter and A/C amp. connector.
- 4. Check continuity between the ECV harness connector and unified meter and A/C amp. harness connector.

ECV		unified meter and A/C amp.		Continuity
Connector	Terminal	Connector	Terminal	
F44	3	M67	65	Existed

- 5. Check for continuity between the ECV harness connector and ground.

ECV		—	Continuity
Connector	Terminal		
F44	3	Ground	Not existed

Is the inspection result normal?

YES >> GO TO 5.

NO >> Repair the harnesses or connectors.

5.CHECK ECV

Check continuity between the ECV connector terminals.

ECV		Continuity
Terminal	Terminal	
2	3	Existed

Is the inspection result normal?

YES >> Replace the unified meter and A/C amp.

NO >> Replace the compressor.

A
B
C
D
E
F
G
H
J
K
L
M
N
O
P

HAC

AMBIENT SENSOR

< DTC/CIRCUIT DIAGNOSIS >

[AUTOMATIC AIR CONDITIONER]

AMBIENT SENSOR

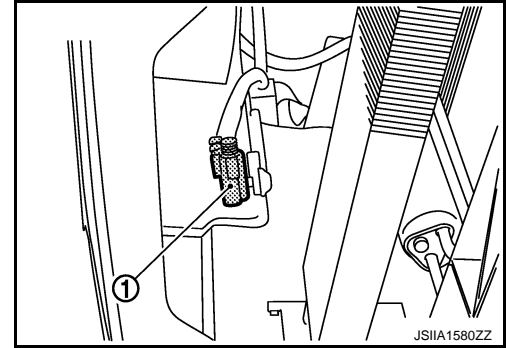
Description

INFOID:000000005631051

COMPONENT DESCRIPTION

Ambient Sensor

The ambient sensor (1) is attached on hood lock stay assembly. It detects ambient temperature and converts it into a resistance value which is then input into the unified meter and A/C amp.



AMBIENT TEMPERATURE INPUT PROCESS

The unified meter and A/C amp. equips a processing circuit for the ambient sensor input. However, when the temperature detected by the ambient sensor increases quickly, the processing circuit retards the unified meter and A/C amp. function. It only allows the unified meter and A/C amp. to recognize an ambient temperature increase of 0.33°C (0.6°F) per 100 seconds.

As an example, consider stopping for a few minutes after high speed driving. Although the actual ambient temperature has not changed, the temperature detected by the ambient sensor increases. This is because the heat from the engine compartment can radiate to the front bumper area, location of the ambient sensor.

Component Function Check

INFOID:000000005631052

1. PERFORM SELF-DIAGNOSIS

Perform self-diagnosis function STEP-2. Refer to [HAC-44, "Diagnosis Description"](#).

21 or -21 is displayed.

- YES >> Go to Diagnosis Procedure. Refer to [HAC-66, "Diagnosis Procedure"](#).
NO >> INSPECTION END

Diagnosis Procedure

INFOID:000000005631053

1. CHECK VOLTAGE BETWEEN AMBIENT SENSOR AND GROUND

1. Turn ignition switch OFF.
2. Disconnect ambient sensor connector.
3. Turn ignition switch ON.
4. Check voltage between ambient sensor harness connector and ground.

(+)		(-)	Voltage (Approx.)
Ambient sensor		—	
Connector	Terminal		
E76	1	Ground	5 V

Is the inspection result normal?

- YES >> GO TO 2.
NO >> GO TO 4.

2. CHECK CIRCUIT CONTINUITY BETWEEN AMBIENT SENSOR AND UNIFIED METER AND A/C AMP.

1. Turn ignition switch OFF.
2. Disconnect unified meter and A/C amp. connector.
3. Check continuity between ambient sensor harness connector and unified meter and A/C amp. harness connector.

AMBIENT SENSOR

< DTC/CIRCUIT DIAGNOSIS >

[AUTOMATIC AIR CONDITIONER]

Ambient sensor		Unified meter and A/C amp.		Continuity
Connector	Terminal	Connector	Terminal	
E76	2	M67	61	Existed

Is the inspection result normal?

YES >> GO TO 3.

NO >> Repair harness or connector.

3.CHECK AMBIENT SENSOR

Check ambient sensor. Refer to [HAC-67, "Component Inspection"](#).

Is the inspection result normal?

YES >> Replace unified meter and A/C amp.

NO >> Replace ambient sensor.

4.CHECK CIRCUIT CONTINUITY BETWEEN AMBIENT SENSOR AND UNIFIED METER AND A/C AMP.

1. Turn ignition switch OFF.
2. Disconnect unified meter and A/C amp. connector.
3. Check continuity between ambient sensor harness connector and unified meter and A/C amp. harness connector.

Ambient sensor		Unified meter and A/C amp.		Continuity
Connector	Terminal	Connector	Terminal	
E76	1	M67	45	Existed

4. Check continuity between ambient sensor harness connector and ground.

Ambient sensor		—	Continuity
Connector	Terminal		
E76	1	Ground	Not existed

Is the inspection result normal?

YES >> Replace unified meter and A/C amp.

NO >> Repair harness or connector.

Component Inspection

INFOID:000000005631054

1.CHECK AMBIENT SENSOR

1. Turn ignition switch OFF.
2. Disconnect ambient sensor connector. Refer to [HAC-130, "Exploded View"](#).
3. Check resistance between ambient sensor terminals.

A
B
C
D
E
F
G
H
J
K
L
M
N
O
P

HAC

AMBIENT SENSOR

< DTC/CIRCUIT DIAGNOSIS >

[AUTOMATIC AIR CONDITIONER]

Terminal		Condition	Resistance kΩ
		Temperature °C (°F)	
1	2	-15 (5)	12.73
		-10 (14)	9.92
		-5 (23)	7.80
		0 (32)	6.19
		5 (41)	4.95
		10 (50)	3.99
		15 (59)	3.24
		20 (68)	2.65
		25 (77)	2.19
		30 (86)	1.81
		35 (95)	1.51
		40 (104)	1.27
		45 (113)	1.07

Is the inspection result normal?

YES >> INSPECTION END

NO >> Replace ambient sensor.

IN-VEHICLE SENSOR

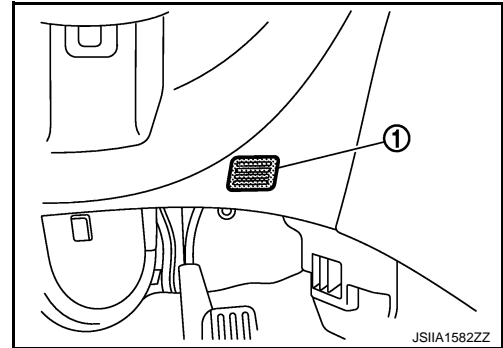
Description

INFOID:000000005631055

COMPONENT DESCRIPTION

In-vehicle Sensor

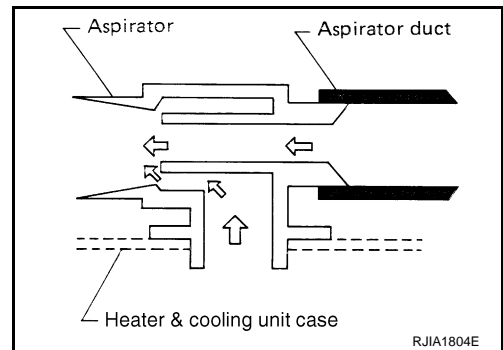
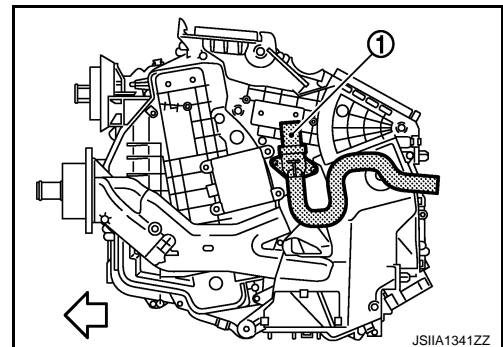
The in-vehicle sensor (1) is located on instrument driver lower panel. It converts variations in compartment air temperature drawn from the aspirator into a resistance value. It is then input into the unified meter and A/C amp.



Aspirator

The aspirator (1) is located on driver's side of heater & cooling unit assembly. It produces vacuum pressure due to air discharged from the heater & cooling unit assembly, continuously taking compartment air in the aspirator.

← Vehicle front



Component Function Check

INFOID:000000005631056

1.PERFORM SELF-DIAGNOSIS

Perform self-diagnosis function STEP-2. Refer to [HAC-44, "Diagnosis Description"](#).
22 or -22 is displayed.

- YES >> Go to Diagnosis Procedure. Refer to [HAC-69, "Diagnosis Procedure"](#).
- NO >> INSPECTION END

Diagnosis Procedure

INFOID:000000005631057

1.CHECK VOLTAGE BETWEEN IN-VEHICLE SENSOR AND GROUND

1. Turn ignition switch OFF.
2. Disconnect in-vehicle sensor connector.
3. Turn ignition switch ON.
4. Check voltage between in-vehicle sensor harness connector and ground.

A
B
C
D
E
F
G
H
HAC
J
K
L
M
N
O
P

IN-VEHICLE SENSOR

< DTC/CIRCUIT DIAGNOSIS >

[AUTOMATIC AIR CONDITIONER]

(+)		(-)	Voltage (Approx.)
In-vehicle sensor		—	
Connector	Terminal		
M61	1	Ground	

Is the inspection result normal?

- YES >> GO TO 2.
NO >> GO TO 4.

2. CHECK CIRCUIT CONTINUITY BETWEEN IN-VEHICLE SENSOR AND UNIFIED METER AND A/C AMP.

1. Turn ignition switch OFF.
2. Disconnect unified meter and A/C amp. connector.
3. Check continuity between in-vehicle sensor harness connector and unified meter and A/C amp. harness connector.

In-vehicle sensor		Unified meter and A/C amp.		Continuity
Connector	Terminal	Connector	Terminal	
M61	2	M67	60	Existed

Is the inspection result normal?

- YES >> GO TO 3.
NO >> Repair harness or connector.

3. CHECK IN-VEHICLE SENSOR

Check in-vehicle sensor. Refer to [HAC-70, "Component Inspection"](#).

Is the inspection result normal?

- YES >> Replace unified meter and A/C amp.
NO >> Replace in-vehicle sensor.

4. CHECK CIRCUIT CONTINUITY BETWEEN IN-VEHICLE SENSOR AND UNIFIED METER AND A/C AMP.

1. Turn ignition switch OFF.
2. Disconnect unified meter and A/C amp. connector.
3. Check continuity between in-vehicle sensor harness connector and unified meter and A/C amp. harness connector.

In-vehicle sensor		Unified meter and A/C amp.		Continuity
Connector	Terminal	Connector	Terminal	
M61	1	M67	44	Existed

4. Check continuity between in-vehicle sensor harness connector and ground.

In-vehicle sensor		(-)	Continuity
Connector	Terminal		
M61	1	Ground	Not existed

Is the inspection result normal?

- YES >> Replace unified meter and A/C amp.
NO >> Repair harness or connector.

Component Inspection

INFOID:000000005631058

1. CHECK IN-VEHICLE SENSOR

1. Turn ignition switch OFF.
2. Disconnect in-vehicle sensor connector. Refer to [HAC-131, "Exploded View"](#).
3. Check resistance between in-vehicle sensor terminals.

IN-VEHICLE SENSOR

< DTC/CIRCUIT DIAGNOSIS >

[AUTOMATIC AIR CONDITIONER]

Terminal		Condition	Resistance kΩ
		Temperature °C (°F)	
1	2	-15 (5)	12.73
		-10 (14)	9.92
		-5 (23)	7.80
		0 (32)	6.19
		5 (41)	4.95
		10 (50)	3.99
		15 (59)	3.24
		20 (68)	2.65
		25 (77)	2.19
		30 (86)	1.81
		35 (95)	1.51
		40 (104)	1.27
		45 (113)	1.07

Is the inspection result normal?

- YES >> INSPECTION END
- NO >> Replace in-vehicle sensor.

A
B
C
D
E
F
G
H
J
K
L
M
N
O
P

HAC

SUNLOAD SENSOR

< DTC/CIRCUIT DIAGNOSIS >

[AUTOMATIC AIR CONDITIONER]

SUNLOAD SENSOR

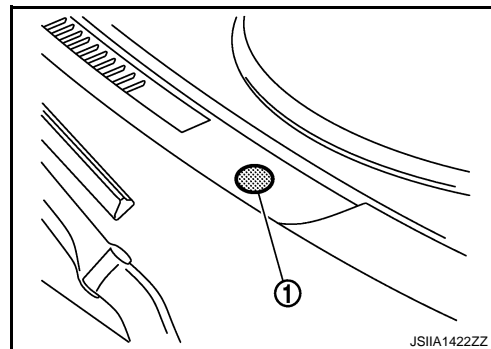
Description

INFOID:000000005631059

COMPONENT DESCRIPTION

Sunload Sensor

The sunload sensor (1) is located on the front defroster grille LH. It detects sunload entering through windshield by means of a photo diode. The sensor converts the sunload into a current value which is then input into the unified meter and A/C amp.



SUNLOAD INPUT PROCESS

The unified meter and A/C amp. also equips a processing circuit which averages the variations in detected sunload over a period of time. This prevents drastic swings in the air temperature control system operation due to small or quick variations in detected sunload.

For example, consider driving along a road bordered by an occasional group of large trees. The sunload detected by the sunload sensor varies whenever the trees obstruct the sunlight. The processing circuit averages the detected sunload over a period of time, so that the (insignificant) effect of the trees momentarily obstructing the sunlight does not cause any change in the air temperature control system operation. On the other hand, shortly after entering a long tunnel, the system recognizes the change in sunload, and the system reacts accordingly.

Component Function Check

INFOID:000000005631060

1.PERFORM SELF-DIAGNOSIS

Perform self-diagnosis function STEP-2. Refer to [HAC-44, "Diagnosis Description"](#).
25 or -25 is displayed.

YES >> Go to Diagnosis Procedure. Refer to [HAC-72, "Diagnosis Procedure"](#).
NO >> INSPECTION END

Diagnosis Procedure

INFOID:000000005631061

1.CHECK VOLTAGE BETWEEN SUNLOAD SENSOR AND GROUND

1. Turn ignition switch OFF.
2. Disconnect sunload sensor connector.
3. Turn ignition switch ON.
4. Check voltage between sunload sensor harness connector and ground.

(+)		(-)	Voltage (Approx.)
Sunload sensor		—	
Connector	Terminal		
M46	1	Ground	5 V

Is the inspection result normal?

YES >> GO TO 2.
NO >> GO TO 4.

2.CHECK CIRCUIT CONTINUITY BETWEEN SUNLOAD SENSOR AND UNIFIED METER AND A/C AMP.

1. Turn ignition switch OFF.
2. Disconnect unified meter and A/C amp. connector.

SUNLOAD SENSOR

[AUTOMATIC AIR CONDITIONER]

< DTC/CIRCUIT DIAGNOSIS >

3. Check continuity between sunload sensor harness connector and unified meter and A/C amp. harness connector.

Sunload sensor		Unified meter and A/C amp.		Continuity
Connector	Terminal	Connector	Terminal	
M46	2	M67	62	Existed

Is the inspection result normal?

- YES >> GO TO 3.
 NO >> Repair harness or connector.

3.CHECK SUNLOAD SENSOR

1. Reconnect sunload sensor connector and unified meter and A/C amp. connector.
2. Check sunload sensor. Refer to [HAC-73, "Component Inspection"](#).

Is the inspection result normal?

- YES >> Replace unified meter and A/C amp.
 NO >> Replace sunload sensor.

4.CHECK CIRCUIT CONTINUITY BETWEEN SUNLOAD SENSOR AND UNIFIED METER AND A/C AMP.

1. Turn ignition switch OFF.
2. Disconnect unified meter and A/C amp. connector.
3. Check continuity between sunload sensor harness connector and unified meter and A/C amp. harness connector.

Sunload sensor		Unified meter and A/C amp.		Continuity
Connector	Terminal	Connector	Terminal	
M46	1	M67	46	Existed

4. Check continuity between sunload sensor harness connector and ground.

Sunload sensor		—	Continuity
Connector	Terminal		
M46	1	Ground	Not existed

Is the inspection result normal?

- YES >> Replace unified meter and A/C amp.
 NO >> Repair harness or connector.

Component Inspection

INFOID:000000005631062

1.CHECK SUNLOAD SENSOR

1. Turn ignition switch ON.
2. Check voltage between unified meter and A/C amp. harness connector and ground.

(+)		(-)	
Unified meter and A/C amp.		—	
Connector	Terminal		
M67	46	Ground	

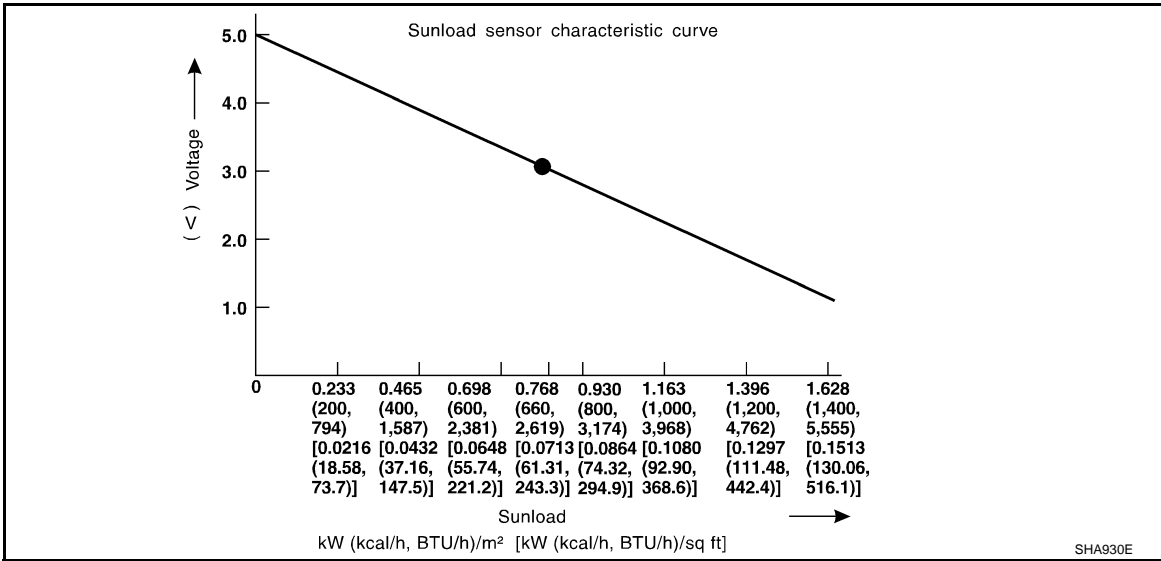
A
B
C
D
E
F
G
H
J
K
L
M
N
O
P

HAC

SUNLOAD SENSOR

< DTC/CIRCUIT DIAGNOSIS >

[AUTOMATIC AIR CONDITIONER]



NOTE:

Select a place where sunshine directly on it when checking sunload sensor.

Is the inspection result normal?

- YES >> INSPECTION END
- NO >> Replace sunload sensor.

INTAKE SENSOR

< DTC/CIRCUIT DIAGNOSIS >

[AUTOMATIC AIR CONDITIONER]

INTAKE SENSOR

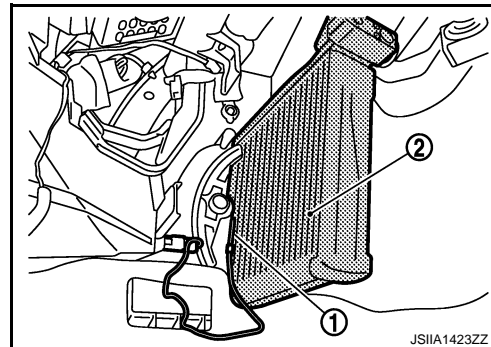
Description

INFOID:000000005631063

COMPONENT DESCRIPTION

Intake Sensor

The intake sensor (1) is located on the evaporator. It converts air temperature after it passes through the evaporator (2) into a resistance value which is then input to the unified meter and A/C amp.



Component Function Check

INFOID:000000005631064

1.PERFORM SELF-DIAGNOSIS

Perform self-diagnosis function STEP-2. Refer to [HAC-44, "Diagnosis Description"](#).
24 or -24 is displayed.

- YES >> Go to Diagnosis Procedure. Refer to [HAC-75, "Diagnosis Procedure"](#).
- NO >> INSPECTION END

Diagnosis Procedure

INFOID:000000005631065

HAC

1.CHECK VOLTAGE BETWEEN INTAKE SENSOR AND GROUND

1. Turn ignition switch OFF.
2. Disconnect intake sensor connector.
3. Turn ignition switch ON.
4. Check voltage between intake sensor harness connector and ground.

(+)		(-)	Voltage (Approx.)
Intake sensor		—	
Connector	Terminal		
M77	1	Ground	5 V

Is the inspection result normal?

- YES >> GO TO 2.
- NO >> GO TO 4.

2.CHECK CIRCUIT CONTINUITY BETWEEN INTAKE SENSOR AND UNIFIED METER AND A/C AMP.

1. Turn ignition switch OFF.
2. Disconnect unified meter and A/C amp. connector.
3. Check continuity between intake sensor harness connector and unified meter and A/C amp. harness connector.

Intake sensor		Unified meter and A/C amp.		Continuity
Connector	Terminal	Connector	Terminal	
M77	2	M67	59	Existed

Is the inspection result normal?

- YES >> GO TO 3.
- NO >> Repair harness or connector.

INTAKE SENSOR

< DTC/CIRCUIT DIAGNOSIS >

[AUTOMATIC AIR CONDITIONER]

3.CHECK INTAKE SENSOR

Check intake sensor. Refer to [HAC-76. "Component Inspection"](#).

Is the inspection result normal?

YES >> Replace unified meter and A/C amp.

NO >> Replace intake sensor.

4.CHECK CIRCUIT CONTINUITY BETWEEN INTAKE SENSOR AND UNIFIED METER AND A/C AMP.

1. Turn ignition switch OFF.
2. Disconnect unified meter and A/C amp. connector.
3. Check continuity between intake sensor harness connector and unified meter and A/C amp. harness connector.

Intake sensor		Unified meter and A/C amp.		Continuity
Connector	Terminal	Connector	Terminal	
M77	1	M67	43	Existed

4. Check continuity between intake sensor harness connector and ground.

Intake sensor		—	Continuity
Connector	Terminal		
M77	1	Ground	Not existed

Is the inspection result normal?

YES >> Replace unified meter and A/C amp.

NO >> Repair harness or connector.

Component Inspection

INFOID:000000005631066

1.CHECK INTAKE SENSOR

1. Turn ignition switch OFF.
2. Disconnect intake sensor connector.
3. Check resistance between intake sensor terminals.

Terminal		Condition	Resistance kΩ
		Temperature °C (°F)	
1	2	-15 (5)	12.28
		-10 (14)	9.58
		-5 (23)	7.55
		0 (32)	6.00
		5 (41)	4.81
		10 (50)	3.88
		15 (59)	3.16
		20 (68)	2.59
		25 (77)	2.14
		30 (86)	1.77
		35 (95)	1.48
		40 (104)	1.24
		45 (113)	1.05

Is the inspection result normal?

YES >> INSPECTION END

NO >> Replace intake sensor.

GAS SENSOR

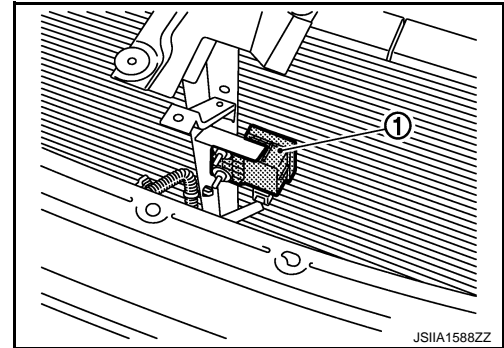
Description

INFOID:000000005631067

COMPONENT DESCRIPTION

Gas Sensor

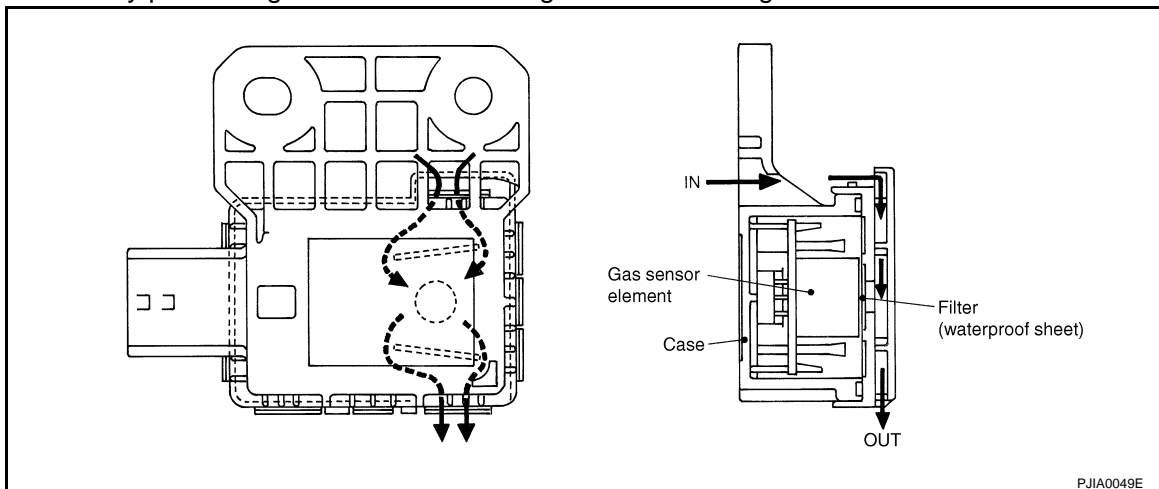
The gas sensor (1) is attached on the radiator core support. It detects smell of exhaust gas and converts it into a duty ratio which is then input into the unified meter and A/C amp.



SMELL OF EXHAUST GAS INPUT PROCESS

Gas sensor detects ambient atmospheric CO and NO₂, and converts them to values of resistance. The values are converted to signals with the gas sensor internal circuit, then the unified meter and A/C amp. inputs the signals.

Gas sensor has a construction that detects CO and NO₂ by gas sensor element from the air intake of the case through a filter (waterproof sheet). It sends output signals to the unified meter and A/C amp. in response to a resistance value conversion by gas sensor elements. Output signals prevent a smell of exhaust gas from getting into vehicle by performing corrections according to various driving conditions.



Component Function Check

INFOID:000000005631068

1. PERFORM SELF-DIAGNOSIS STEP-2

Perform self-diagnosis STEP-2. Refer to [HAC-44, "Diagnosis Description"](#), see Nos. 1 to 2.

28, -28, 29 or -29 is displayed.

YES >> Go to Diagnosis Procedure. Refer to [HAC-77, "Diagnosis Procedure"](#).

NO >> INSPECTION END

Diagnosis Procedure

INFOID:000000005631069

1. ADJUST GAS SENSOR SENSITIVITY

1. Turn ignition switch ON.
2. Adjust the gas sensor sensitivity. Refer to [HAC-11, "WITH ACCS : Gas Sensor Sensitivity Adjustment Function"](#).

Are the symptoms solved?

GAS SENSOR

[AUTOMATIC AIR CONDITIONER]

< DTC/CIRCUIT DIAGNOSIS >

- YES >> INSPECTION END
NO >> GO TO 2.

2.CHECK POWER SUPPLY FOR GAS SENSOR

1. Turn ignition switch OFF.
2. Disconnect gas sensor connector.
3. Turn ignition switch ON.
4. Check voltage between gas sensor harness connector and ground.

(+)		(-)	Voltage
Gas sensor		—	
Connector	Terminal		
E120	1	Ground	Battery voltage

Is the inspection result normal?

- YES >> GO TO 3.
NO >> Check power supply circuit and 10A fuse (No. 3, located in the fuse block). Refer to [PG-121, "Fuse, Connector and Terminal Arrangement"](#).
- If fuse is OK, check harness for open circuit. Repair or replace if necessary.
 - If fuse is NG, check harness for short circuit and replace fuse.

3.CHECK GROUND CIRCUIT FOR GAS SENSOR

1. Turn ignition switch OFF.
2. Check continuity between gas sensor harness connector and ground.

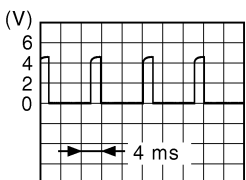
Gas sensor		(-)	Continuity
Connector	Terminal	—	
E120	2	Ground	Existed

Is the inspection result normal?

- YES >> GO TO 4.
NO >> Repair harness or connector.

4.CHECK GAS SENSOR SIGNAL

1. Reconnect gas sensor connector.
2. Turn ignition switch ON.
3. Check signal between gas sensor harness connector and ground using an oscilloscope.

(+)		(-)	Voltage
Gas sensor		—	
Connector	Terminal		
E120	3	Ground	 ZJIA1163J

NOTE:

The signal is different by measurement environment of a vehicle.

Is the inspection result normal?

- YES >> GO TO 5.
NO >> Replace gas sensor.

5.CHECK CIRCUIT CONTINUITY BETWEEN UNIFIED METER AND A/C AMP. AND GAS SENSOR

1. Turn ignition switch OFF.

GAS SENSOR

< DTC/CIRCUIT DIAGNOSIS >

[AUTOMATIC AIR CONDITIONER]

2. Disconnect unified meter and A/C amp. connector.
3. Check continuity between unified meter and A/C amp. harness connector and gas sensor harness connector.

Gas sensor		Unified meter and A/C amp.		Continuity
Connector	Terminal	Connector	Terminal	
E120	3	M67	47	Existed

Is the inspection result normal?

- YES >> Replace unified meter and A/C amp.
NO >> Repair harnesses or connectors.

A
B
C
D
E
F
G
H
J
K
L
M
N
O
P

HAC

IONIZER

Description

INFOID:000000005631070

Ionizer generates an approximately equal proportional amount of positive and negative ions in the air.

Component Function Check

INFOID:000000005900531

1. CHECK IONIZER OPERATION SOUND

1. Turn ignition switch ON.
2. Press AUTO switch.
3. Ion indicator is shown on the display.
4. Check the ionizer operation sound (whirring sound) in the duct by putting an ear to the center ventilator grille (LH) outlet.

Is the inspection result normal?

- YES >> INSPECTION END
 NO >> Go to Diagnosis Procedure. Refer to [HAC-80, "Diagnosis Procedure"](#).

Diagnosis Procedure

INFOID:000000005900532

1. CHECK POWER SUPPLY FOR IONIZER

1. Turn ignition switch OFF.
2. Disconnect ionizer connector.
3. Turn ignition switch ON.
4. Press fan (UP:+) switch.
5. Check voltage between ionizer harness connector and ground.

(+)		(-)	Voltage
Ionizer		—	
Connector	Terminal		
M160	1	Ground	Battery voltage

Is the inspection result normal?

- YES >> GO TO 2.
 NO >> Check 10A fuse (No. 3, located in the fuse block). Refer to [PG-121, "Fuse, Connector and Terminal Arrangement"](#).
- If fuse is OK, check harness for open circuit. Repair or replace if necessary.
 - If fuse is NG, replace fuse and check for short circuit. Repair or replace if necessary.

2. CHECK CIRCUIT CONTINUITY BETWEEN IONIZER AND GROUND

1. Turn ignition switch OFF.
2. Check continuity between ionizer harness connector and ground.

Ionizer		—	Continuity
Connector	Terminal		
M160	3	Ground	Existed

Is the inspection result normal?

- YES >> GO TO 3.
 NO >> Repair harnesses or connectors.

3. CHECK ION ON/OFF SIGNAL

Check voltage between ionizer harness connector and ground.

IONIZER

< DTC/CIRCUIT DIAGNOSIS >

[AUTOMATIC AIR CONDITIONER]

(+)		(-)	Condition	Voltage
Ionizer				
Connector	Terminal			
M160	4	Ground	Blower motor: OFF	12 V
			Blower motor: ON	0 V

Is the inspection result normal?

- YES >> Replace ionizer.
 NO >> GO TO 4.

4. CHECK CIRCUIT CONTINUITY BETWEEN UNIFIED METER AND A/C AMP. AND IONIZER

1. Turn ignition switch OFF.
2. Disconnect unified meter and A/C amp. connector.
3. Check continuity between unified meter and A/C amp. harness connector and ionizer harness connector.

Ionizer		Unified meter and A/C amp.		Continuity
Connector	Terminal	Connector	Terminal	
M160	4	M66	20	Existed

4. Check continuity between ionizer harness connector and ground.

Ionizer		—	Continuity
Connector	Terminal		
M160	4	Ground	Not existed

Is the inspection result normal?

- YES >> Replace unified meter and A/C amp.
 NO >> Repair harnesses or connectors.

A
B
C
D
E
F
G
H
J
K
L
M
N
O
P

HAC

ECU DIAGNOSIS INFORMATION

ECM

Reference Value

INFOID:000000005894314

VALUES ON THE DIAGNOSIS TOOL

NOTE:

- Specification data are reference values.
- Specification data are output/input values which are detected or supplied by the ECM at the connector.
 - * Specification data may not be directly related to their components signals/values/operations.
 - i.e. Adjust ignition timing with a timing light before monitoring IGN TIMING, because the monitor may show the specification data in spite of the ignition timing not being adjusted to the specification data. This IGN TIMING monitors the data calculated by the ECM according to the signals input from the camshaft position sensor and other ignition timing related sensors.

CONSULT-III MONITOR ITEM

Monitor Item	Condition		Values/Status
ENG SPEED	• Run engine and compare CONSULT-III value with the tachometer indication.		Almost the same speed as the tachometer indication
MAS A/F SE-B1	See EC-132, "Description" .		
MAS A/F SE-B2	See EC-132, "Description" .		
B/FUEL SCHDL	See EC-132, "Description" .		
A/F ALPHA-B1	See EC-132, "Description" .		
A/F ALPHA-B2	See EC-132, "Description" .		
COOLAN TEMP/S	• Ignition switch: ON		Indicates engine coolant temperature
A/F SEN1 (B1)	• Engine: After warming up	Maintaining engine speed at 2,000 rpm	Fluctuates around 2.2 V
A/F SEN1 (B2)	• Engine: After warming up	Maintaining engine speed at 2,000 rpm	Fluctuates around 2.2 V
HO2S2 (B1)	<ul style="list-style-type: none"> • Revving engine from idle up to 3,000 rpm quickly after the following conditions are met. <ul style="list-style-type: none"> - Engine: After warming up - After keeping engine speed between 3,500 and 4,000 rpm for 1 minute and at idle for 1 minute under no load 		0 - 0.3 V ↔ Approx. 0.6 - 1.0 V
HO2S2 (B2)	<ul style="list-style-type: none"> • Revving engine from idle up to 3,000 rpm quickly after the following conditions are met. <ul style="list-style-type: none"> - Engine: After warming up - After keeping engine speed between 3,500 and 4,000 rpm for 1 minute and at idle for 1 minute under no load 		0 - 0.3 V ↔ Approx. 0.6 - 1.0 V
HO2S2 MNTR (B1)	<ul style="list-style-type: none"> • Revving engine from idle up to 3,000 rpm quickly after the following conditions are met. <ul style="list-style-type: none"> - Engine: After warming up - After keeping engine speed between 3,500 and 4,000 rpm for 1 minute and at idle for 1 minute under no load 		LEAN ↔ RICH
HO2S2 MNTR (B2)	<ul style="list-style-type: none"> • Revving engine from idle up to 3,000 rpm quickly after the following conditions are met. <ul style="list-style-type: none"> - Engine: After warming up - After keeping engine speed between 3,500 and 4,000 rpm for 1 minute and at idle for 1 minute under no load 		LEAN ↔ RICH
VHCL SPEED SE	• Turn drive wheels and compare CONSULT-III value with the speedometer indication.		Almost the same speed as speedometer indication
BATTERY VOLT	• Ignition switch: ON (Engine stopped)		11 - 14 V
ACCEL SEN 1	• Ignition switch: ON (Engine stopped)	Accelerator pedal: Fully released	0.45 - 1.00 V
		Accelerator pedal: Fully depressed	4.4 - 4.8 V
ACCEL SEN 2*1	• Ignition switch: ON (Engine stopped)	Accelerator pedal: Fully released	0.45 - 1.00 V
		Accelerator pedal: Fully depressed	4.3 - 4.8 V

ECM

< ECU DIAGNOSIS INFORMATION >

[AUTOMATIC AIR CONDITIONER]

Monitor Item	Condition		Values/Status
TP SEN 1-B1	<ul style="list-style-type: none"> Ignition switch: ON (Engine stopped) Selector lever: D (A/T) or 1st (M/T) 	Accelerator pedal: Fully released	More than 0.36 V
		Accelerator pedal: Fully depressed	Less than 4.75 V
TP SEN 2-B1*1	<ul style="list-style-type: none"> Ignition switch: ON (Engine stopped) Selector lever: D (A/T) or 1st (M/T) 	Accelerator pedal: Fully released	More than 0.36 V
		Accelerator pedal: Fully depressed	Less than 4.75 V
FUEL T/TMP SE	<ul style="list-style-type: none"> Ignition switch: ON 		Indicates fuel tank temperature
INT/A TEMP SE	<ul style="list-style-type: none"> Ignition switch: ON 		Indicates intake air temperature
EVAP SYS PRES	<ul style="list-style-type: none"> Ignition switch: ON 		Approx. 1.8 - 4.8 V
FUEL LEVEL SE	<ul style="list-style-type: none"> Ignition switch: ON 		Depending on fuel level of fuel tank
START SIGNAL	<ul style="list-style-type: none"> Ignition switch: ON → START → ON 		OFF → ON → OFF
CLSD THL POS	<ul style="list-style-type: none"> Ignition switch: ON (Engine stopped) 	Accelerator pedal: Fully released	ON
		Accelerator pedal: Slightly depressed	OFF
AIR COND SIG	<ul style="list-style-type: none"> Engine: After warming up, idle the engine 	Air conditioner switch: OFF	OFF
		Air conditioner switch: ON (Compressor operates.)	ON
P/N POSI SW	<ul style="list-style-type: none"> Ignition switch: ON 	Selector lever: P or N (A/T), Neutral (M/T)	ON
		Selector lever: Except above	OFF
PW/ST SIGNAL	<ul style="list-style-type: none"> Engine: After warming up, idle the engine 	Steering wheel: Not being turned	OFF
		Steering wheel: Being turned	ON
LOAD SIGNAL	<ul style="list-style-type: none"> Ignition switch: ON 	Rear window defogger switch: ON and/or Lighting switch: 2nd position	ON
		Rear window defogger switch and lighting switch: OFF	OFF
IGNITION SW	<ul style="list-style-type: none"> Ignition switch: ON → OFF → ON 		ON → OFF → ON
HEATER FAN SW	<ul style="list-style-type: none"> Engine: After warming up, idle the engine 	Heater fan switch: ON	ON
		Heater fan switch: OFF	OFF
BRAKE SW	<ul style="list-style-type: none"> Ignition switch: ON 	Brake pedal: Fully released	OFF
		Brake pedal: Slightly depressed	ON
INJ PULSE-B1	<ul style="list-style-type: none"> Engine: After warming up Selector lever: P or N (A/T), Neutral (M/T) Air conditioner switch: OFF No load 	Idle	2.0 - 3.0 msec
		2,000 rpm	1.9 - 2.9 msec
INJ PULSE-B2	<ul style="list-style-type: none"> Engine: After warming up Selector lever: P or N (A/T), Neutral (M/T) Air conditioner switch: OFF No load 	Idle	2.0 - 3.0 msec
		2,000 rpm	1.9 - 2.9 msec
IGN TIMING	<ul style="list-style-type: none"> Engine: After warming up Selector lever: P or N (A/T), Neutral (M/T) Air conditioner switch: OFF No load 	Idle	7° BTDC
		2,000 rpm	25° - 45° BTDC
CAL/LD VALUE	<ul style="list-style-type: none"> Engine: After warming up Selector lever: P or N (A/T), Neutral (M/T) Air conditioner switch: OFF No load 	Idle	5% - 35%
		2,500 rpm	5% - 35%

A
B
C
D
E
F
G
H
HAC
J
K
L
M
N
O
P

ECM

< ECU DIAGNOSIS INFORMATION >

[AUTOMATIC AIR CONDITIONER]

Monitor Item	Condition	Values/Status	
MASS AIRFLOW	<ul style="list-style-type: none"> Engine: After warming up Selector lever: P or N (A/T), Neutral (M/T) Air conditioner switch: OFF No load 	Idle 2,500 rpm	2.0 - 6.0 g-m/s 7.0 - 20.0 g-m/s
	PURG VOL C/V	<ul style="list-style-type: none"> Engine: After warming up Selector lever: P or N (A/T), Neutral (M/T) Air conditioner switch: OFF No load 	Idle (Accelerator pedal: Not depressed even slightly, after engine starting.) 2,000 rpm
INT/V TIM (B1)		<ul style="list-style-type: none"> Engine: After warming up Selector lever: P or N (A/T), Neutral (M/T) Air conditioner switch: OFF No load 	Idle 2,000 rpm
	INT/V TIM (B2)		<ul style="list-style-type: none"> Engine: After warming up Selector lever: P or N (A/T), Neutral (M/T) Air conditioner switch: OFF No load
INT/V SOL (B1)		<ul style="list-style-type: none"> Engine: After warming up Selector lever: P or N (A/T), Neutral (M/T) Air conditioner switch: OFF No load 	
	INT/V SOL (B2)		<ul style="list-style-type: none"> Engine: After warming up Selector lever: P or N (A/T), Neutral (M/T) Air conditioner switch: OFF No load
TP SEN 1-B2		<ul style="list-style-type: none"> Ignition switch: ON (Engine stopped) Selector lever: D (A/T) or 1st (M/T) 	
	TP SEN 2-B2*1		<ul style="list-style-type: none"> Ignition switch: ON (Engine stopped) Selector lever: D (A/T) or 1st (M/T)
AIR COND RLY		<ul style="list-style-type: none"> Engine: After warming up, idle the engine 	
	FUEL PUMP RLY		<ul style="list-style-type: none"> For 1 second after turning ignition switch: ON Engine running or cranking
VENT CONT/V		<ul style="list-style-type: none"> Ignition switch: ON 	
THRTL RELAY	<ul style="list-style-type: none"> Ignition switch: ON 	ON	ON
HO2S2 HTR (B1)	<ul style="list-style-type: none"> Engine speed: Below 3,600 rpm after the following conditions are met. <ul style="list-style-type: none"> Engine: After warming up Keeping the engine speed between 3,500 and 4,000 rpm for 1 minute and at idle for 1 minute under no load Engine speed: Above 3,600 rpm 	ON OFF	ON OFF
		HO2S2 HTR (B2)	<ul style="list-style-type: none"> Engine speed: Below 3,600 rpm after the following conditions are met. <ul style="list-style-type: none"> Engine: After warming up Keeping the engine speed between 3,500 and 4,000 rpm for 1 minute and at idle for 1 minute under no load Engine speed: Above 3,600 rpm
VEHICLE SPEED	<ul style="list-style-type: none"> Turn drive wheels and compare CONSULT-III value with the speedometer indication. 		

ECM

< ECU DIAGNOSIS INFORMATION >

[AUTOMATIC AIR CONDITIONER]

Monitor Item	Condition		Values/Status
IDL A/V LEARN	• Engine: Running	Idle air volume learning has not been performed yet.	YET
		Idle air volume learning has already been performed successfully.	CMPLT
ENG OIL TEMP	• Engine: After warming up		More than 70°C (158°F)
TRVL AFTER MIL	• Ignition switch: ON	Vehicle has traveled after MIL has illuminated.	0 - 65,535 km (0 - 40,723 miles)
A/F S1 HTR (B1)	• Engine: After warming up, idle the engine (More than 140 seconds after starting engine)		4 - 100%
A/F S1 HTR (B2)	• Engine: After warming up, idle the engine (More than 140 seconds after starting engine)		4 - 100%
AC PRESS SEN	• Engine: Idle • Both A/C switch and blower fan switch: ON (Compressor operates)		1.0 - 4.0 V
VHCL SPEED SE	• Turn drive wheels and compare CONSULT-III value with the speedometer indication.		Almost the same speed as the speedometer indication
SET VHCL SPD	• Engine: Running	ASCD: Operating	The preset vehicle speed is displayed
MAIN SW	• Ignition switch: ON	MAIN switch: Pressed	ON
		MAIN switch: Released	OFF
CANCEL SW	• Ignition switch: ON	CANCEL switch: Pressed	ON
		CANCEL switch: Released	OFF
RESUME/ACC SW	• Ignition switch: ON	RESUME/ACCELERATE switch: Pressed	ON
		RESUME/ACCELERATE switch: Released	OFF
SET SW	• Ignition switch: ON	SET/COAST switch: Pressed	ON
		SET/COAST switch: Released	OFF
BRAKE SW1 (ICC/ASCD brake switch)	• Ignition switch: ON	Brake pedal: Fully released	ON
		Brake pedal: Slightly depressed	OFF
BRAKE SW2 (Stop lamp switch)	• Ignition switch: ON	Brake pedal: Fully released	OFF
		Brake pedal: Slightly depressed	ON
VHCL SPD CUT	• Ignition switch: ON		NON
LO SPEED CUT	• Ignition switch: ON		NON
AT OD MONITOR	• Ignition switch: ON		OFF
AT OD CANCEL	• Ignition switch: ON		OFF
SET LAMP	• Set switch: ON • Vehicle Speed: Between 40 km/h (25 MPH) and 144 km/h (89 MPH)	SET/COAST switch: Pressed	ON
		SET/COAST switch: Released	OFF
CRUISE LAMP	• Ignition switch: ON	MAIN switch: Pressed at the 1st time → at the 2nd time	ON → OFF
BAT CUR SEN	• Engine speed: Idle • Battery: Fully charged*2 • Selector lever: P or N (A/T), Neutral (M/T) • Air conditioner switch: OFF • No load		Approx. 2,600 - 3,500 mV
ALT DUTY	• Engine: Idle		0 - 80%
ATOM PRES SEN	• This item is displayed but is not applicable to this model.		
BRAKE BST PRES SE	• This item is displayed but is not applicable to this model.		

A

B

C

D

E

F

G

H

HAC

J

K

L

M

N

O

P

ECM

< ECU DIAGNOSIS INFORMATION >

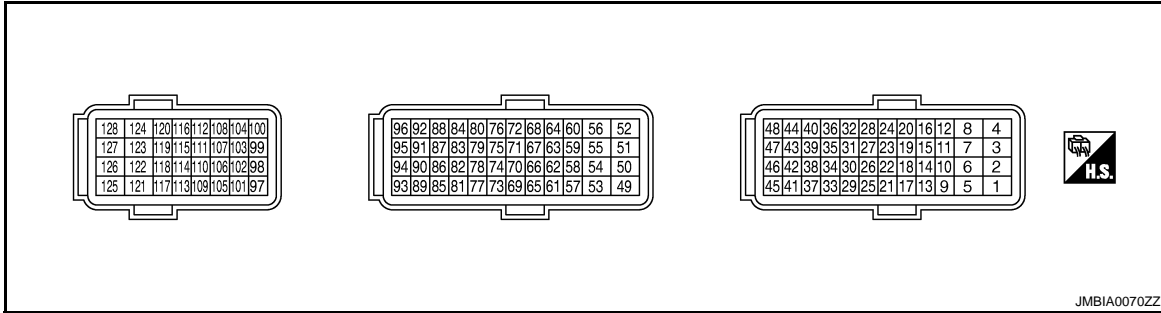
[AUTOMATIC AIR CONDITIONER]

Monitor Item	Condition	Values/Status
VVEL POSITION SEN-B1	<ul style="list-style-type: none"> Engine: After warming up Selector lever: P or N (A/T), Neutral (M/T) Air conditioner switch: OFF No load 	Idle Approx. 0.25 - 1.40 V
		When revving engine up to 2,000 rpm quickly Approx. 0.25 - 4.75 V
VVEL POSITION SEN-B2	<ul style="list-style-type: none"> Engine: After warming up Selector lever: P or N (A/T), Neutral (M/T) Air conditioner switch: OFF No load 	Idle Approx. 0.25 - 1.40 V
		When revving engine up to 2,000 rpm quickly Approx. 0.25 - 4.75 V
VVEL TIM-B1	<ul style="list-style-type: none"> Engine: After warming up Selector lever: P or N (A/T), Neutral (M/T) Air conditioner switch: OFF No load 	Idle Approx. 0 - 20 deg
		When revving engine up to 2,000 rpm quickly Approx. 0 - 90 deg
VVEL TIM-B2	<ul style="list-style-type: none"> Engine: After warming up Selector lever: P or N (A/T), Neutral (M/T) Air conditioner switch: OFF No load 	Idle Approx. 0 - 20 deg
		When revving engine up to 2,000 rpm quickly Approx. 0 - 90 deg
VVEL LEARN	<ul style="list-style-type: none"> Ignition switch: OFF → ON (After warming up) 	VVEL learning has not been performed yet. YET
		VVEL learning has already been performed successfully. DONE
VVEL SEN LEARN-B1	<ul style="list-style-type: none"> VVEL learning has already been performed successfully 	Approx. 0.30 - 0.80 V
VVEL SEN LEARN-B2	<ul style="list-style-type: none"> VVEL learning has already been performed successfully 	Approx. 0.30 - 0.80 V
A/F ADJ-B1	<ul style="list-style-type: none"> Engine: Running 	-0.330 - 0.330
A/F ADJ-B2	<ul style="list-style-type: none"> Engine: Running 	-0.330 - 0.330
FAN DUTY	<ul style="list-style-type: none"> Engine: Running 	0 - 100%
ALT DUTY SIG	<ul style="list-style-type: none"> Power generation voltage variable control: Operating 	ON
	<ul style="list-style-type: none"> Power generation voltage variable control: Not operating 	OFF
EVAP LEAK DIAG	<ul style="list-style-type: none"> Ignition switch: ON 	Depending on condition of EVAP leak diagnosis
EVAP DIAG READY	<ul style="list-style-type: none"> Ignition switch: ON (READY) 	Depending on ready condition of EVAP leak diagnosis
HO2 S2 DIAG2 (B1)	<ul style="list-style-type: none"> This item is displayed but is not applicable to this model. 	
HO2 S2 DIAG2 (B2)	<ul style="list-style-type: none"> This item is displayed but is not applicable to this model. 	
A/F SEN1 DIAG2 (B1)	<ul style="list-style-type: none"> This item is displayed but is not applicable to this model. 	
A/F SEN1 DIAG2 (B2)	<ul style="list-style-type: none"> This item is displayed but is not applicable to this model. 	

*1: Accelerator pedal position sensor 2 signal and throttle position sensor 2 signal are converted by ECM internally. Thus, they differ from ECM terminals voltage signal.

*2: Before measuring the terminal voltage, confirm that the battery is fully charged. Refer to [PG-3, "How to Handle Battery"](#).

TERMINAL LAYOUT



PHYSICAL VALUES

NOTE:

- ECM is located behind the instrument assist lower panel. For this inspection, remove passenger side instrument lower panel.
- Specification data are reference values and are measured between each terminal and ground.
- Pulse signal is measured by CONSULT-III.

Terminal No. (Wire color)		Description		Condition	Value (Approx.)
+	—	Signal name	Input/ Output		
1 (W)	128 (B)	A/F sensor 1 heater (bank 1)	Output	[Engine is running] • Warm-up condition • Idle speed (More than 140 seconds after starting engine)	2.9 - 8.8 V★ 5V/div JMBIA0030GB
2 (G)	128 (B)	Throttle control motor (Open) (bank 1)	Output	[Ignition switch: ON] • Engine stopped • Selector lever: D (A/T) or 1st (M/T) • Accelerator pedal: Fully depressed	0 - 14 V★ 5V/div JMBIA0031GB
				[Ignition switch: ON] • Engine stopped • Selector lever: D (A/T) or 1st (M/T) • Accelerator pedal: Fully released	0 - 14 V★ 5V/div JMBIA0032GB
3 (R)	128 (B)	Throttle control motor power supply (bank 1)	Input	[Ignition switch: ON]	BATTERY VOLTAGE (11 - 14 V)
4 (BR)	128 (B)	Throttle control motor (Close) (bank 1)	Output	[Ignition switch: ON] • Engine stopped • Selector lever: D (A/T) or 1st (M/T) • Accelerator pedal: In the middle of releasing operation	0 - 14 V★ 5V/div JMBIA0033GB

ECM

< ECU DIAGNOSIS INFORMATION >

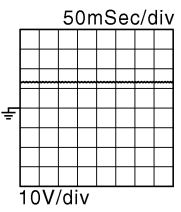
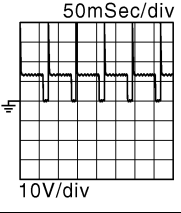
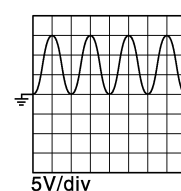
[AUTOMATIC AIR CONDITIONER]

Terminal No. (Wire color)		Description		Condition	Value (Approx.)
+	-	Signal name	Input/ Output		
5 (W)	128 (B)	A/F sensor 1 heater (bank 2)	Output	[Engine is running] <ul style="list-style-type: none"> • Warm-up condition • Idle speed (More than 140 seconds after starting engine) 	2.9 - 8.8 V★
8 (B)	—	ECM ground	—	—	—
11 (GR)	128 (B)	Ignition signal No. 4	Output	[Engine is running] <ul style="list-style-type: none"> • Warm-up condition • Idle speed NOTE: The pulse cycle changes depending on rpm at idle	0 - 0.2 V★
12 (L)		Ignition signal No. 3			
15 (V)		Ignition signal No. 5			
16 (G)		Ignition signal No. 2			
19 (SB)		Ignition signal No. 6			
20 (Y)	Ignition signal No. 1	[Engine is running] <ul style="list-style-type: none"> • Warm-up condition • Engine speed: 2,000 rpm 	0.1 - 0.4 V★ 		
17 (P)	128 (B)	Heated oxygen sensor 2 heater (bank 1)	Output	[Engine is running] <ul style="list-style-type: none"> • Engine speed: Below 3,600 rpm after the following conditions are met <ul style="list-style-type: none"> - Engine: after warming up - Keeping the engine speed between 3,500 and 4,000 rpm for 1 minute and at idle for 1 minute under no load 	10 V★
				[Ignition switch: ON] <ul style="list-style-type: none"> • Engine stopped [Engine is running] <ul style="list-style-type: none"> • Engine speed: Above 3,600 rpm 	BATTERY VOLTAGE (11 - 14 V)
18 (W)	128 (B)	Intake valve timing control solenoid valve (bank 1)	Output	[Engine is running] <ul style="list-style-type: none"> • Warm-up condition • Idle speed 	BATTERY VOLTAGE (11 - 14 V)
				[Engine is running] <ul style="list-style-type: none"> • Warm-up condition • Engine speed: 2,000rpm 	7 - 12 V★

ECM

< ECU DIAGNOSIS INFORMATION >

[AUTOMATIC AIR CONDITIONER]

Terminal No. (Wire color)		Description		Condition	Value (Approx.)
+	--	Signal name	Input/ Output		
21 (GR)	128 (B)	EVAP canister purge volume control solenoid valve	Output	[Engine is running] • Idle speed • Accelerator pedal: Not depressed even slightly, after engine starting	BATTERY VOLTAGE (11 - 14 V)★ 
				[Engine is running] • Engine speed: About 2,000 rpm (More than 100 seconds after starting engine)	BATTERY VOLTAGE (11 - 14 V)★ 
22 (R)	128 (B)	Fuel pump relay	Output	[Ignition switch: ON] • For 1 second after turning ignition switch ON	0 - 1.5 V
				[Engine is running] • More than 1 second after turning ignition switch ON	BATTERY VOLTAGE (11 - 14 V)
24 (P)	128 (B)	ECM relay (Self shut-off)	Output	[Engine is running] [Ignition switch: OFF] • A few seconds after turning ignition switch OFF	0 - 1.5 V
				[Ignition switch: OFF] • More than a few seconds after turning ignition switch OFF	BATTERY VOLTAGE (11 - 14 V)
25 (O)	128 (B)	Throttle control motor relay	Output	[Ignition switch: ON → OFF]	0 - 1.0 V ↓ BATTERY VOLTAGE (11 - 14 V) ↓ 0 V
				[Ignition switch: ON]	0 - 1.0 V
28 (BR)	128 (B)	VVEL actuator motor relay abort signal [VVEL control module]	Output	[Engine is running] • Warm-up condition • Idle speed	0 V
29 (G)	128 (B)	Intake valve timing control solenoid valve (bank 2)	Output	[Engine is running] • Warm-up condition • Idle speed	BATTERY VOLTAGE (11 - 14 V)
				[Engine is running] • Warm-up condition • Engine speed: 2,000rpm	7 - 12 V★ 

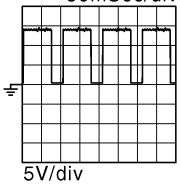
A
B
C
D
E
F
G
H
J
K
L
M
N
O
P

HAC

ECM

< ECU DIAGNOSIS INFORMATION >

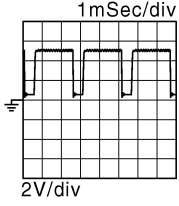
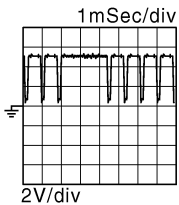
[AUTOMATIC AIR CONDITIONER]

Terminal No. (Wire color)		Description		Condition	Value (Approx.)
+	—	Signal name	Input/ Output		
30 (Y)	40 (R)	Throttle position sensor 1 (bank 1)	Input	[Ignition switch: ON] • Engine stopped • Selector lever: D (A/T) or 1st (M/T) • Accelerator pedal: Fully released	More than 0.36 V
				[Ignition switch: ON] • Engine stopped • Selector lever: D (A/T) or 1st (M/T) • Accelerator pedal: Fully depressed	Less than 4.75 V
31 (R)	48 (B)	Throttle position sensor 1 (bank 2)	Input	[Ignition switch: ON] • Engine stopped • Selector lever: D (A/T) or 1st (M/T) • Accelerator pedal: Fully released	More than 0.36 V
				[Ignition switch: ON] • Engine stopped • Selector lever: D (A/T) or 1st (M/T) • Accelerator pedal: Fully depressed	Less than 4.75 V
33 (SB)	128 (B)	Heated oxygen sensor 2 heater (bank 2)	Output	[Engine is running] • Engine speed: Below 3,600 rpm after the following conditions are met - Engine: after warming up - Keeping the engine speed between 3,500 and 4,000 rpm for 1 minute and at idle for 1 minute under no load	10 V★  5V/div
				[Ignition switch: ON] • Engine stopped [Engine is running] • Engine speed: Above 3,600 rpm	BATTERY VOLTAGE (11 - 14 V)
34 (B)	40 (R)	Throttle position sensor 2 (bank 1)	Input	[Ignition switch: ON] • Engine stopped • Selector lever: D (A/T) or 1st (M/T) • Accelerator pedal: Fully released	Less than 4.75 V
				[Ignition switch: ON] • Engine stopped • Selector lever: D (A/T) or 1st (M/T) • Accelerator pedal: Fully depressed	More than 0.36 V
35 (W)	48 (B)	Throttle position sensor 2 (bank 2)	Input	[Ignition switch: ON] • Engine stopped • Selector lever: D (A/T) or 1st (M/T) • Accelerator pedal: Fully released	Less than 4.75 V
				[Ignition switch: ON] • Engine stopped • Selector lever: D (A/T) or 1st (M/T) • Accelerator pedal: Fully depressed	More than 0.36 V
36 (O)	—	Sensor ground [Brake booster pressure sensor]	—	—	—

ECM

< ECU DIAGNOSIS INFORMATION >

[AUTOMATIC AIR CONDITIONER]

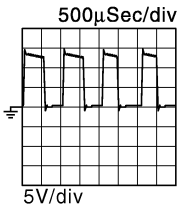
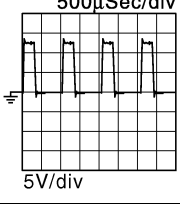
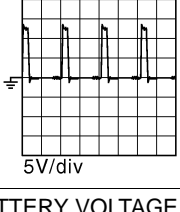
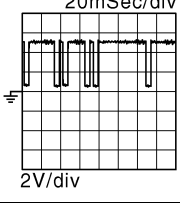
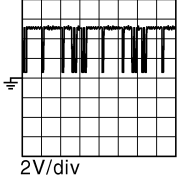
Terminal No. (Wire color)		Description		Condition	Value (Approx.)
+	—	Signal name	Input/ Output		
37 (W)	47 (Y)	Crankshaft position sensor (POS)	Input	[Engine is running] • Warm-up condition • Idle speed NOTE: The pulse cycle changes depending on rpm at idle	4.0 - 5.0 V★  JMBIA0041GB
				[Engine is running] • Engine speed: 2,000 rpm	4.0 - 5.0 V★  JMBIA0042GB
38 (O)	96 (P)	Manifold absolute pressure (MAP) sensor	Input	[Engine is running] • Warm-up condition • Idle speed	1.2 V
				[Engine is running] • Warm-up condition • Engine speed: 2,000 rpm	1.5 V
39 (P)	36 (O)	Brake booster pressure sensor	Input	[Engine is running] • Warm-up condition • Idle speed • Brake pedal: Fully released	1.2 V
				[Engine is running] • Warm-up condition • Idle speed • Brake pedal: Fully depressed	3.0 V
40 (R)	—	Sensor ground [Throttle position sensor (bank 1)]	—	—	—
43 (G)	48 (B)	Sensor power supply [Throttle position sensor (bank 2)]	—	[Ignition switch: ON]	5 V
44 (L)	40 (R)	Sensor power supply [Throttle position sensor (bank 1)]	—	[Ignition switch: ON]	5 V
45 (LG)	36 (O)	Sensor power supply [Brake booster pressure sensor]	—	[Ignition switch: ON]	5 V
46 (R)	47 (Y)	Sensor power supply [Crankshaft position sensor (POS)]	—	[Ignition switch: ON]	5 V
47 (Y)	—	Sensor ground [Crankshaft position sensor (POS)]	—	—	—
48 (B)	—	Sensor ground [Throttle position sensor (bank 2)]	—	—	—

A
B
C
D
E
F
G
H
HAC
J
K
L
M
N
O
P

ECM

< ECU DIAGNOSIS INFORMATION >

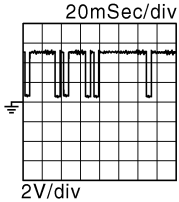
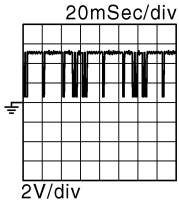
[AUTOMATIC AIR CONDITIONER]

Terminal No. (Wire color)		Description		Condition	Value (Approx.)
+	--	Signal name	Input/ Output		
49 (GR)	128 (B)	Throttle control motor (Close) (bank 2)	Output	[Ignition switch: ON] • Engine stopped • Selector lever: D (A/T) or 1st (M/T) • Accelerator pedal: In the middle of re- leasing operation	0 - 14 V★  500µSec/div 5V/div JMBIA0033GB
50 (V)	128 (B)	Throttle control motor (Open) (bank 2)	Output	[Ignition switch: ON] • Engine stopped • Selector lever: D (A/T) or 1st (M/T) • Accelerator pedal: Fully depressed	0 - 14 V★  500µSec/div 5V/div JMBIA0031GB
				[Ignition switch: ON] • Engine stopped • Selector lever: D (A/T) or 1st (M/T) • Accelerator pedal: Fully released	0 - 14 V★  500µSec/div 5V/div JMBIA0032GB
52 (R)	128 (B)	Throttle control motor power supply (bank 2)	Input	[Ignition switch: ON]	BATTERY VOLTAGE (11 - 14 V)
53 (W)	128 (B)	Ignition switch	Input	[Ignition switch: OFF]	0 V
				[Ignition switch: ON]	BATTERY VOLTAGE (11 - 14 V)
54 (Y)	—	CAN communication line [VVEL control module]	Input/ output	—	—
55 (LG)	—	CAN communication line [VVEL control module]	Input/ output	—	—
57 (L)	128 (B)	A/F sensor 1 (bank 1)	Input	[Ignition switch: ON]	2.2 V
59 (O)	128 (B)	Camshaft position sen- sor (PHASE) (bank 1)	Input	[Engine is running] • Warm-up condition • Idle speed NOTE: The pulse cycle changes depending on rpm at idle	3.0 - 5.0 V★  20mSec/div 2V/div JMBIA0045GB
				[Engine is running] • Engine speed: 2,000 rpm	3.0 - 5.0 V★  20mSec/div 2V/div JMBIA0046GB

ECM

< ECU DIAGNOSIS INFORMATION >

[AUTOMATIC AIR CONDITIONER]

Terminal No. (Wire color)		Description		Condition	Value (Approx.)
+	--	Signal name	Input/ Output		
60 (G)	96 (P)	Sensor power supply [Camshaft position sensor (PHASE) (bank 1), Manifold absolute pressure (MAP) sensor, Power steering pressure sensor]	—	[Ignition switch: ON]	5 V
61 (R)	128 (B)	A/F sensor 1 (bank 1)	Input	[Engine is running] • Warm-up condition • Engine speed: 2,000 rpm	1.8 V Output voltage varies with air fuel ratio.
63 (L)	92 (G)	Camshaft position sensor (PHASE) (bank 2)	Input	[Engine is running] • Warm-up condition • Idle speed NOTE: The pulse cycle changes depending on rpm at idle	3.0 - 5.0 V★ 
				[Engine is running] • Engine speed: 2,000 rpm	3.0 - 5.0 V★ 
64 (SB)	92 (G)	Sensor power supply [Camshaft position sensor (PHASE) (bank 2), Battery current sensor]	—	[Ignition switch: ON]	5 V
65 (LG)	128 (B)	A/F sensor 1 (bank 2)	Input	[Ignition switch: ON]	2.2 V
66 (V)	128 (B)	A/F sensor 1 (bank 2)	Input	[Engine is running] • Warm-up condition • Engine speed: 2,000 rpm	1.8 V Output voltage varies with air fuel ratio.
67 (P)	68 (LG)	Intake air temperature sensor	Input	[Engine is running]	0 - 4.8 V Output voltage varies with intake air temperature.
68 (LG)	—	Sensor ground [Mass air flow sensor (bank 1), Intake air temperature sensor]	—	—	—
69 (W)	128 (B)	Knock sensor (bank 2)	Input	[Engine is running] • Idle speed	2.5 V*1
71 (Y)	84 (B)	Engine coolant temperature sensor	Input	[Engine is running]	0 - 4.8 V Output voltage varies with engine coolant temperature.
72 (—)	—	Sensor ground (Knock sensor)	—	—	—
73 (W)	128 (B)	Knock sensor (bank 1)	Input	[Engine is running] • Idle speed	2.5 V*1

A

B

C

D

E

F

G

H

HAC

J

K

L

M

N

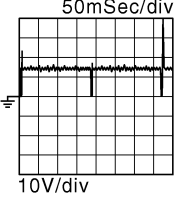
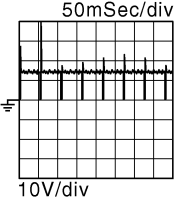
O

P

ECM

< ECU DIAGNOSIS INFORMATION >

[AUTOMATIC AIR CONDITIONER]

Terminal No. (Wire color)		Description		Condition	Value (Approx.)
+	--	Signal name	Input/ Output		
76 (W)	128 (B)	Heated oxygen sensor 2 (bank 1)	Input	[Engine is running] • Revving engine from idle to 3,000 rpm quickly after the following conditions are met - Engine: after warming up - Keeping the engine speed between 3,500 and 4,000 rpm for 1 minute and at idle for 1 minute under no load	0 - 1.0 V
77 (SB)	68 (LG)	Mass air flow sensor (bank 1)	Input	[Engine is running] • Warm-up condition • Idle speed	0.7 - 1.2 V
				[Engine is running] • Warm-up condition • Engine speed: 2,500 rpm	1.3 - 1.7 V
78 (G)	84 (B)	Engine oil temperature sensor	Input	[Engine is running]	0 - 4.8 V Output voltage varies with engine oil temperature.
79 (BR)	94 (Y)	Mass air flow sensor (bank 2)	Input	[Engine is running] • Warm-up condition • Idle speed	0.7 - 1.2 V
				[Engine is running] • Warm-up condition • Engine speed: 2,500 rpm	1.3 - 1.7 V
80 (O)	128 (B)	Heated oxygen sensor 2 (bank 2)	Input	[Engine is running] • Revving engine from idle to 3,000 rpm quickly after the following conditions are met - Engine: after warming up - Keeping the engine speed between 3,500 and 4,000 rpm for 1 minute and at idle for 1 minute under no load	0 - 1.0 V
81 (R)	128 (B)	Fuel injector No. 3	Output	[Engine is running] • Warm-up condition • Idle speed NOTE: The pulse cycle changes depending on rpm at idle	BATTERY VOLTAGE (11 - 14 V)★ 
82 (V)		Fuel injector No. 6			
85 (BR)		Fuel injector No. 2			
86 (W)		Fuel injector No. 5			
89 (GR)		Fuel injector No. 1			
90 (O)	Fuel injector No. 4			[Engine is running] • Warm-up condition • Engine speed: 2,000 rpm	BATTERY VOLTAGE (11 - 14 V)★ 
84 (B)	--	Sensor ground (Heated oxygen sensor 2, Engine coolant temperature sensor, Engine oil temperature sensor)	--	--	--

ECM

< ECU DIAGNOSIS INFORMATION >

[AUTOMATIC AIR CONDITIONER]

Terminal No. (Wire color)		Description		Condition	Value (Approx.)
+	--	Signal name	Input/ Output		
87 (Y)	96 (P)	Power steering pressure sensor	Output	[Engine is running] • Steering wheel: Being turned	0.5 - 4.5 V
				[Engine is running] • Steering wheel: Not being turned	0.4 - 0.8 V
91 (SB)	95 (G)	Battery current sensor	Input	[Engine is running] • Battery: Fully charged*2 • Idle speed	2.6 - 3.5 V
92 (G)	—	Sensor ground [Camshaft position sensor (PHASE) (bank 2)]	—	—	—
93 (P)	128 (B)	Power supply for ECM (Back-up)	Input	[Ignition switch: OFF]	BATTERY VOLTAGE (11 - 14 V)
94 (Y)	—	Sensor ground [Mass air flow sensor (bank 2)]	—	—	—
95 (G)	—	Sensor ground (Battery current sensor)	—	—	—
96 (P)	—	Sensor ground [Camshaft position sensor (PHASE) (bank 1), Manifold absolute pressure (MAP) sensor, Power steering pressure sensor]	—	—	—
97 (R)	100 (W)	Accelerator pedal position sensor 1	Input	[Ignition switch: ON] • Engine stopped • Accelerator pedal: Fully released	0.45 - 1.00 V
				[Ignition switch: ON] • Engine stopped • Accelerator pedal: Fully depressed	4.2 - 4.8 V
98 (P)	104 (GR)	Accelerator pedal position sensor 2	Input	[Ignition switch: ON] • Engine stopped • Accelerator pedal: Fully released	0.22 - 0.50 V
				[Ignition switch: ON] • Engine stopped • Accelerator pedal: Fully depressed	2.1 - 2.5 V
99 (L)	100 (W)	Sensor power supply (Accelerator pedal position sensor 1)	—	[Ignition switch: ON]	5 V
100 (W)	—	Sensor ground (Accelerator pedal position sensor 1)	—	—	—

A
B
C
D
E
F
G
H
HAC
J
K
L
M
N
O
P

ECM

< ECU DIAGNOSIS INFORMATION >

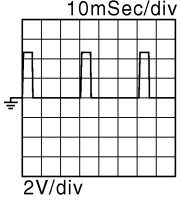
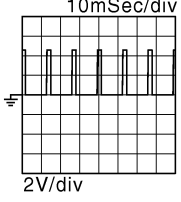
[AUTOMATIC AIR CONDITIONER]

Terminal No. (Wire color)		Description	Input/ Output	Condition	Value (Approx.)
+	--	Signal name			
101 (SB)	108 (Y)	ICC steering switch (models with ICC system)	Input	[Ignition switch: ON] • ICC steering switch: OFF	4.3 V
				[Ignition switch: ON] • MAIN switch: Pressed	0 V
				[Ignition switch: ON] • CANCEL switch: Pressed	1.3 V
				[Ignition switch: ON] • RESUME/ACCELERATE switch: Pressed	3.7 V
				[Ignition switch: ON] • SET/COAST switch: Pressed	3 V
				[Ignition switch: ON] • DISTANCE switch: Pressed	2.2 V
101 (SB)	108 (Y)	ASCD steering switch (models with ASCD system)	Input	[Ignition switch: ON] • ASCD steering switch: OFF	4 V
				[Ignition switch: ON] • MAIN switch: Pressed	0 V
				[Ignition switch: ON] • CANCEL switch: Pressed	1 V
				[Ignition switch: ON] • RESUME/ACCELERATE switch: Pressed	3 V
				[Ignition switch: ON] • SET/COAST switch: Pressed	2 V
102 (G)	112 (R)	EVAP control system pressure sensor	Input	[Ignition switch: ON]	1.8 - 4.8 V
103 (G)	104 (GR)	Sensor power supply (Accelerator pedal position sensor 2)	—	[Ignition switch: ON]	5 V
104 (GR)	—	Sensor ground (Accelerator pedal position sensor 2)	—	—	—
105 (L)	112 (R)	Refrigerant pressure sensor	Input	[Engine is running] • Warm-up condition • Both A/C switch and blower fan motor switch: ON (Compressor operates)	1.0 - 4.0 V
106 (LG)	128 (B)	Fuel tank temperature sensor	Input	[Engine is running]	0 - 4.8 V Output voltage varies with fuel tank temperature.
107 (BR)	112 (R)	Sensor power supply (EVAP control system pressure sensor, Refrigerant pressure sensor)	—	[Ignition switch: ON]	5 V
108 (Y)	—	Sensor ground (ASCD/ICC steering switch)	—	—	—
109 (G)	128 (B)	PNP signal	Input	[Ignition switch: ON] • Selector lever: P or N (A/T), Neutral (M/ T)	BATTERY VOLTAGE (11 - 14 V)
				[Ignition switch: ON] • Selector lever: Except above	0 V

ECM

< ECU DIAGNOSIS INFORMATION >

[AUTOMATIC AIR CONDITIONER]

Terminal No. (Wire color)		Description		Condition	Value (Approx.)
+	--	Signal name	Input/ Output		
110 (BR)	128 (B)	Engine speed output signal	Output	[Engine is running] • Warm-up condition • Idle speed NOTE: The pulse cycle changes depending on rpm at idle	1 V★  JMBIA0076GB
				[Engine is running] • Engine speed is 2,000 rpm	1 V★  JMBIA0077GB
112 (R)	—	Sensor ground (EVAP control system pressure sensor, Refrigerant pressure sensor)	—	—	—
113 (P)	—	CAN communication line	Input/ Output	—	—
114 (L)	—	CAN communication line	Input/ Output	—	—
117 (V)	128 (B)	Data link connector	Input/ Output	—	—
121 (LG)	128 (B)	EVAP canister vent control valve	Output	[Ignition switch: ON]	BATTERY VOLTAGE (11 - 14 V)
122 (P)	128 (B)	Stop lamp switch	Input	[Ignition switch: OFF] • Brake pedal: Fully released	0 V
				[Ignition switch: OFF] • Brake pedal: Slightly depressed	BATTERY VOLTAGE (11 - 14 V)
123 (B) 124 (B)	—	ECM ground	—	—	—
125 (R)	128 (B)	Power supply for ECM	Input	[Ignition switch: ON]	BATTERY VOLTAGE (11 - 14 V)
126 (BR)	128 (B)	ICC brake switch (models with ICC system) ASCDC brake switch (models with ASCDC system)	Input	[Ignition switch: ON] • Brake pedal: Slightly depressed	0 V
				[Ignition switch: ON] • Brake pedal: Fully released	BATTERY VOLTAGE (11 - 14 V)
127 (B) 128 (B)	—	ECM ground	—	—	—

★: Average voltage for pulse signal (Actual pulse signal can be confirmed by oscilloscope.)

*1: This may vary depending on internal resistance of the tester.

*2: Before measuring the terminal voltage, confirm that the battery is fully charged. Refer to [PG-3, "How to Handle Battery"](#).

UNIFIED METER AND A/C AMP.

< ECU DIAGNOSIS INFORMATION >

[AUTOMATIC AIR CONDITIONER]

UNIFIED METER AND A/C AMP.

Reference Value

INFOID:000000005894315

VALUES ON THE DIAGNOSIS TOOL

CONSULT-III MONITOR ITEM

Monitor Item	Condition		Value/Status
SPEED METER [km/h]	Ignition switch ON	While driving	Equivalent to speedometer reading NOTE: 655.35 is displayed when the malfunction signal is received
SPEED OUTPUT [km/h]	Ignition switch ON	While driving	Equivalent to speedometer reading NOTE: 655.35 is displayed when the malfunction signal is received
ODO OUTPUT [km]	Ignition switch ON	—	Equivalent to odometer reading in combination meter
TACHO METER [rpm]	Ignition switch ON	While driving	Equivalent to tachometer reading NOTE: 8191.875 is displayed when the malfunction signal is received
FUEL METER [L]	Ignition switch ON	—	Values according to fuel level
W TEMP METER [°C]	Ignition switch ON	—	Values according to engine coolant temperature NOTE: 215 is displayed when the malfunction signal is input
ABS W/L	Ignition switch ON	ABS warning lamp ON	On
		ABS warning lamp OFF	Off
VDC/TCS IND	Ignition switch ON	VDC OFF indicator lamp ON	On
		VDC OFF indicator lamp OFF	Off
SLIP IND	Ignition switch ON	SLIP indicator lamp ON	On
		SLIP indicator lamp OFF	Off
BRAKE W/L	Ignition switch ON	Brake warning lamp ON	On
		Brake warning lamp OFF	Off
DOOR W/L	Ignition switch ON	Door warning displayed	On
		Door warning not displayed	Off
TRUNK/GLAS-H	Ignition switch ON	Trunk warning displayed	On
		Trunk warning not displayed	Off
HI-BEAM IND	Ignition switch ON	Hi-beam indicator lamp ON	On
		Hi-beam indicator lamp OFF	Off
TURN IND	Ignition switch ON	Turn indicator lamp ON	On
		Turn indicator lamp OFF	Off
FR FOG IND	Ignition switch ON	Front fog lamp indicator lamp ON	On
		Front fog lamp indicator lamp OFF	Off
RR FOG IND	Ignition switch ON	NOTE: This item is displayed, but cannot be monitored.	Off
LIGHT IND	Ignition switch ON	Tail lamp indicator lamp ON	On
		Tail lamp indicator lamp OFF	Off

UNIFIED METER AND A/C AMP.

< ECU DIAGNOSIS INFORMATION >

[AUTOMATIC AIR CONDITIONER]

Monitor Item	Condition		Value/Status	
OIL W/L	Ignition switch ON	Oil pressure warning lamp ON	On	A
		Oil pressure warning lamp OFF	Off	
MIL	Ignition switch ON	Malfunction warning lamp ON	On	B
		Malfunction warning lamp OFF	Off	
GLOW IND	Ignition switch ON	NOTE: This item is displayed, but cannot be monitored.	Off	C
C-ENG2 W/L	Ignition switch ON	NOTE: This item is displayed, but cannot be monitored.	Off	D
CRUISE IND	Ignition switch ON	Cruise indicator displayed	On	
		Cruise indicator not displayed	Off	E
SET IND	Ignition switch ON	Set indicator lamp ON	On	
		Set indicator lamp OFF	Off	
CRUISE W/L	Ignition switch ON	Cruise warning lamp ON	On	F
		Cruise warning lamp OFF	Off	
BA W/L	Ignition switch ON	Models with ICC NOTE: This item is displayed, but cannot be monitored.	On	G
		Models without ICC NOTE: This item is displayed, but cannot be monitored.	Off	H
ATC/T-AMT W/L	Ignition switch ON	A/T check warning lamp ON	On	HAC
		A/T check warning lamp OFF	Off	
4WD W/L	Ignition switch ON	NOTE: This item is displayed, but cannot be monitored.	Off	J
4WD LOCK IND	Ignition switch ON	NOTE: This item is displayed, but cannot be monitored.	Off	K
FUEL W/L	Ignition switch ON	Low-fuel warning lamp displayed	On	L
		Low-fuel warning lamp not displayed	Off	
WASHER W/L	Ignition switch ON	Washer warning displayed	On	
		Washer warning not displayed	Off	M
AIR PRES W/L	Ignition switch ON	Low tire pressure lamp ON	On	
		Low tire pressure lamp OFF	Off	N
KEY G/Y W/L	Ignition switch ON	Key warning lamp ON	On	
		Key warning lamp OFF	Off	
AFS OFF IND	Ignition switch ON	AFS OFF indicator lamp ON	On	O
		AFS OFF indicator lamp OFF	Off	
4WAS/RAS W/L	Ignition switch ON	NOTE: This item is displayed, but cannot be monitored.	Off	P
DDS W/L	Ignition switch ON	NOTE: This item is displayed, but cannot be monitored.	Off	
LANE W/L	Ignition switch ON	NOTE: This item is displayed, but cannot be monitored.	Off	

UNIFIED METER AND A/C AMP.

< ECU DIAGNOSIS INFORMATION >

[AUTOMATIC AIR CONDITIONER]

Monitor Item	Condition		Value/Status
LDP IND	Ignition switch ON	NOTE: This item is displayed, but cannot be monitored.	Off
LCD	Ignition switch ON	Engine start information display (A/T model)	B&P I
		Engine start information display (M/T model)	C&P I
	Ignition switch ACC	Engine start information display (A/T model)	B&P N
		Engine start information display (M/T model)	C&P N
	Ignition switch LOCK	Key ID warning display	ID NG
	Ignition switch LOCK	Steering lock information display	ROTAT
	Ignition switch LOCK	P position warning display	SFT P
	Ignition switch LOCK	Intelligent Key insert information display	INSRT
	Ignition switch LOCK	Intelligent Key low battery warning display	BATT
	Ignition switch ON	Take away warning display	NO KY
	Ignition switch LOCK	Key warning display	OUTKY
	Ignition switch ON	ICC sensor integrated unit warning display	LK WN
ACC TARGET	Ignition switch ON	Vehicle ahead detection indicator displayed	On
		Vehicle ahead detection indicator not displayed	Off
ACC DISTANCE	Ignition switch ON	When following distance set to "LONG"	Long
		When following distance set to "MIDDLE"	Middle
		When following distance set to "SHORT"	Short
		Set distance indicator not displayed	Off
ACC OWN VHL	Ignition switch ON	Own vehicle indicator displayed	On
		Own vehicle indicator not displayed	Off
ACC SET SPEED	Ignition switch ON	ICC set vehicle speed display	Vehicle speed
ACC UNIT	Ignition switch ON	Set vehicle speed indicator unit display ON	On
		Set vehicle speed indicator unit display OFF	Off
O/D OFF SW	Ignition switch ON	NOTE: This item is displayed, but cannot be monitored.	Off

UNIFIED METER AND A/C AMP.

< ECU DIAGNOSIS INFORMATION >

[AUTOMATIC AIR CONDITIONER]

Monitor Item	Condition	Value/Status	
SHIFT IND	Ignition switch ON	Shift position indicator P display	P
		Shift position indicator R display	R
		Shift position indicator N display	N
		Shift position indicator D display	D
		Shift position indicator M1 display	M1
		Shift position indicator M2 display	M2
		Shift position indicator M3 display	M3
		Shift position indicator M4 display	M4
		Shift position indicator M5 display	M5
		Shift position indicator M6 display	M6
		Shift position indicator M7 display	M7
AT S MODE SW	Ignition switch ON	Snow mode switch ON	On
		Snow mode switch OFF	Off
AT P MODE SW	Ignition switch ON	NOTE: This item is displayed, but cannot be monitored.	Off
M RANGE SW	Ignition switch ON	Selector lever DS position	On
		Other than the above	Off
NM RANGE SW	Ignition switch ON	Selector lever DS position	Off
		Other than the above	On
AT SFT UP SW	Ignition switch ON	Selector lever up position	On
		Other than the above	Off
AT SFT DWN SW	Ignition switch ON	Selector lever – position	On
		Other than the above	Off
ST SFT UP SW	Ignition switch ON	Paddle shifter up operation	On
		Other than the above	Off
ST SFT DWN SW	Ignition switch ON	Paddle shifter down operation	On
		Other than the above	Off
COMP F/B SIG	Ignition switch ON	A/C compressor activation condition	On
		A/C compressor deactivation condition	Off
4WD LOCK SW	Ignition switch ON	NOTE: This item is displayed, but cannot be monitored.	Off
PKB SW	Ignition switch ON	Parking brake applied	On
		Parking brake released	Off
BUCKLE SW	Ignition switch ON	Seat belt (driver side) unfastened	On
		Seat belt (driver side) fastened	Off
BRAKE OIL SW	Ignition switch ON	Brake fluid level is lower than the low level	On
		Brake fluid level is normal	Off
DISTANCE [km]	Ignition switch ON	—	Possible driving distance calculated by unified meter and A/C amp.
OUTSIDE TEMP [°C] or [°F]	Ignition switch ON	—	Equivalent to ambient temperature NOTE: This may not match the indicated value on the information display.
FUEL LOW SIG	Ignition switch ON	Low-fuel warning signal output	On
		Low-fuel warning signal not output	Off

A
B
C
D
E
F
G
H
HAC
J
K
L
M
N
O
P

UNIFIED METER AND A/C AMP.

< ECU DIAGNOSIS INFORMATION >

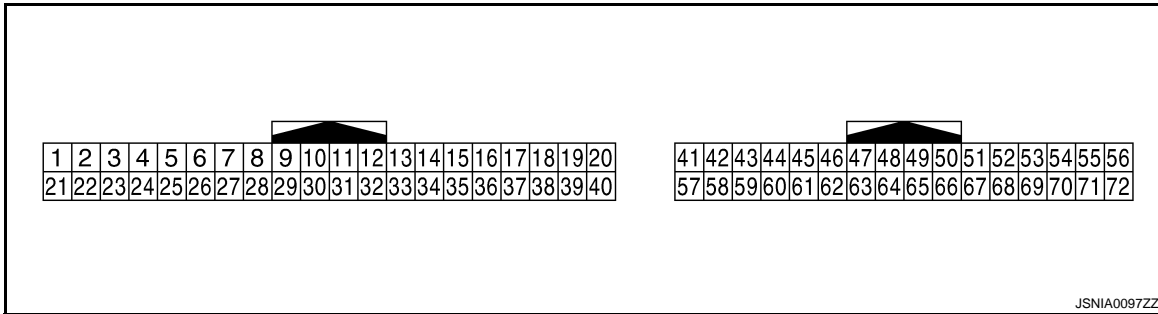
[AUTOMATIC AIR CONDITIONER]

Monitor Item	Condition	Value/Status
BUZZER	Ignition switch ON	Buzzer ON
		Buzzer OFF

NOTE:

Some items are not available according to vehicle specification.

TERMINAL LAYOUT



JSNIA0097ZZ

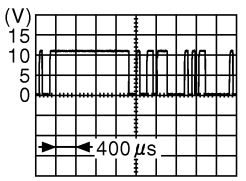
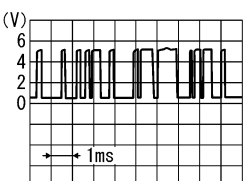
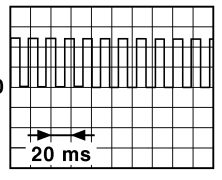
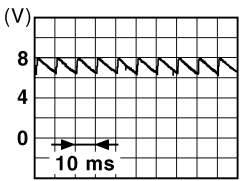
PHYSICAL VALUES

Terminal No. (Wire color)		Description		Condition		Value (Approx.)
+	-	Signal name	Input/ Output			
4 (G)	Ground	Stop lamp switch signal	Input	Ignition switch OFF	Brake pedal is depressed	12 V
					Other than the above	0 V
5 (L)	Ground	Manual mode shift up signal	Input	Ignition switch ON	Selector lever up position	0 V
					Other than the above	12 V
6 (BG)	Ground	Paddle shifter up signal	Input	Ignition switch ON	Paddle shifter up operation	0 V
					Other than the above	12 V
7 (GR)	Ground	Communication signal (AMP. → METER)	Output	Ignition switch ON	—	<p style="text-align: right; font-size: small;">SKIA3362E</p>
8 (L)	Ground	Vehicle speed signal output (2-pulse)	Output	Ignition switch ON	Speedometer operated [When vehicle speed is approx. 40 km/h (25 MPH)]	<p>NOTE: The maximum voltage varies depending on the specification (destination unit).</p> <p style="text-align: right; font-size: small;">JSNIA0015GB</p>
9 (SB)	Ground	Seat belt buckle switch signal (driver side)	Input	Ignition switch ON	When seat belt (driver side) is fastened	12 V
					When seat belt (driver side) is unfastened	0 V

UNIFIED METER AND A/C AMP.

< ECU DIAGNOSIS INFORMATION >

[AUTOMATIC AIR CONDITIONER]

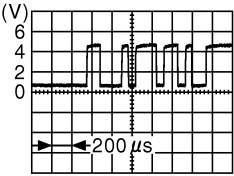
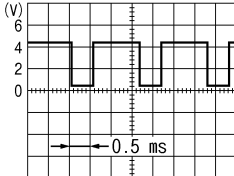
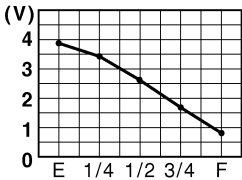
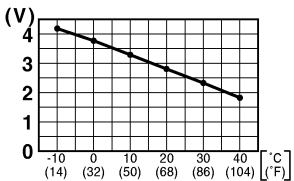
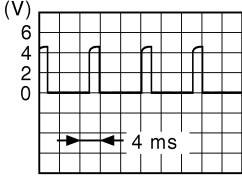
Terminal No. (Wire color)		Description		Condition		Value (Approx.)
+	-	Signal name	Input/ Output			
10 (W)	Ground	Manual mode signal	Input	Ignition switch ON	Selector lever DS position	0 V
					Other than the above	12 V
11 (G)	Ground	Non-manual mode signal	Input	Ignition switch ON	Selector lever DS position	12 V
					Other than the above	0 V
14 (SB)	Ground	Communication signal (LCD → AMP.)	Input	Ignition switch ON	—	 <p style="text-align: right; font-size: small;">JSNIA0028GB</p>
20*1 (G)	Ground	ION ON/OFF signal	Output	Ignition switch ON	Blower motor: ON	0 V
					Blower motor: OFF	12 V
25 (V)	Ground	Manual mode shift down signal	Input	Ignition switch ON	Selector lever down position	0 V
					Other than the above	12 V
26 (G)	Ground	Paddle shift down signal	Input	Ignition switch ON	Paddle shifter down operation	0 V
					Other than the above	12 V
27 (LG)	Ground	Communication signal (METER → AMP.)	Input	Ignition switch ON	—	 <p style="text-align: right; font-size: small;">SKIA3361E</p>
28 (R)	Ground	Vehicle speed signal output (8-pulse)	Output	Ignition switch ON	Speedometer operated [When vehicle speed is approx. 40 km/h (25 MPH)]	<p>NOTE: The maximum voltage varies depending on the specification (destination unit).</p>  <p style="text-align: right; font-size: small;">JSNIA0012GB</p>
30 (V)	Ground	Parking brake switch signal	Input	Ignition switch ON	Parking brake applied	0 V
					Parking brake released	 <p style="text-align: right; font-size: small;">JSNIA0007GB</p>

A
B
C
D
E
F
G
H
HAC
J
K
L
M
N
O
P

UNIFIED METER AND A/C AMP.

< ECU DIAGNOSIS INFORMATION >

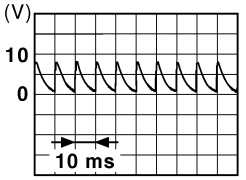
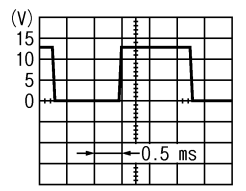
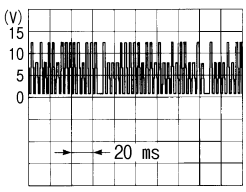
[AUTOMATIC AIR CONDITIONER]

Terminal No. (Wire color)		Description		Condition		Value (Approx.)
+	-	Signal name	Input/ Output			
34 (B)	Ground	Communication signal (AMP. → LCD)	Output	Ignition switch ON	—	 <p style="text-align: right; font-size: small;">JSNIA0027GB</p>
38 (P)	Ground	Blower motor control signal	Output	Ignition switch ON	Fan speed: 1st speed (manual)	 <p style="text-align: right; font-size: small;">JSIIA0096ZZ</p>
41 (BR)	Ground	ACC power supply	Input	Ignition switch ACC	—	Battery voltage
42 (BR)	Ground	Fuel level sensor signal	Input	Ignition switch ON	—	 <p style="text-align: right; font-size: small;">JSNIA0013GB</p>
43 (R)	Ground	Intake sensor signal	Input	Ignition switch ON	—	0 - 4.8 V Output voltage varies with intake temperature.
44 (LG)	Ground	In-vehicle sensor signal	Input	Ignition switch ON	—	0 - 4.8 V Output voltage varies with in-ve- hicle temperature.
45 (V)	Ground	Ambient sensor signal	Input	Ignition switch ON	—	 <p style="text-align: right; font-size: small;">JSNIA0014GB</p>
46 (BG)	Ground	Sunload sensor signal	Input	Ignition switch ON	—	0 - 4.8 V Output voltage varies with amount of sunload.
47*1 (G)	Ground	Gas sensor signal	Input	Ignition switch ON	NOTE: The signal is different by measurement environment of a vehicle	 <p style="text-align: right; font-size: small;">ZJIA1163J</p>
53 (W)	Ground	Ignition power supply	Input	Ignition switch ON	—	Battery voltage

UNIFIED METER AND A/C AMP.

< ECU DIAGNOSIS INFORMATION >

[AUTOMATIC AIR CONDITIONER]

Terminal No. (Wire color)		Description		Condition		Value (Approx.)
+	-	Signal name	Input/ Output			
54 (BG)	Ground	Battery power supply	Input	Ignition switch OFF	—	Battery voltage
55 (B)	Ground	Ground	—	Ignition switch ON	—	0 V
56 (L)	Ground	CAN-H	—	—	—	—
57 (LG)	Ground	Brake fluid level switch sig- nal	Input	Ignition switch ON	Brake fluid level is normal.	 <p style="text-align: right; font-size: small;">JSNIA0008GB</p>
					The brake fluid level is lower than the low level	0 V
58 (Y)	Ground	Fuel level sensor ground	—	Ignition switch ON	—	0 V
59 (GR)	Ground	Intake sensor ground	—	Ignition switch ON	—	0 V
60 (L)	Ground	In-vehicle sensor ground	—	Ignition switch ON	—	0 V
61 (R)	Ground	Ambient sensor signal ground	—	Ignition switch ON	—	0 V
62 (SB)	Ground	Sunload sensor ground	—	Ignition switch ON	—	0 V
63*2 (L)	—	—	—	—	—	—
65 (BG)	Ground	ECV signal	Output	Ignition switch ON	Self-diagnosis. STEP-4 (Code No. 45)	 <p style="text-align: right; font-size: small;">SJIA1607E</p>
69 (L)	Ground	A/C LAN signal	Input/ Output	Ignition switch ON	—	 <p style="text-align: right; font-size: small;">SJIA1453J</p>
70 (R)	Ground	Each door motor power supply	Output	Ignition switch ON	—	Battery voltage

A
B
C
D
E
F
G
H
J
K
L
M
N
O
P

HAC

UNIFIED METER AND A/C AMP.

< ECU DIAGNOSIS INFORMATION >

[AUTOMATIC AIR CONDITIONER]

Terminal No. (Wire color)		Description		Condition		Value (Approx.)
+	-	Signal name	Input/ Output			
71 (GR)	Ground	Ground	—	Ignition switch ON	—	0 V
72 (P)	Ground	CAN-L	—	—	—	—

*1: With ACCS

*2: Unified meter and A/C amp. is not used for control.

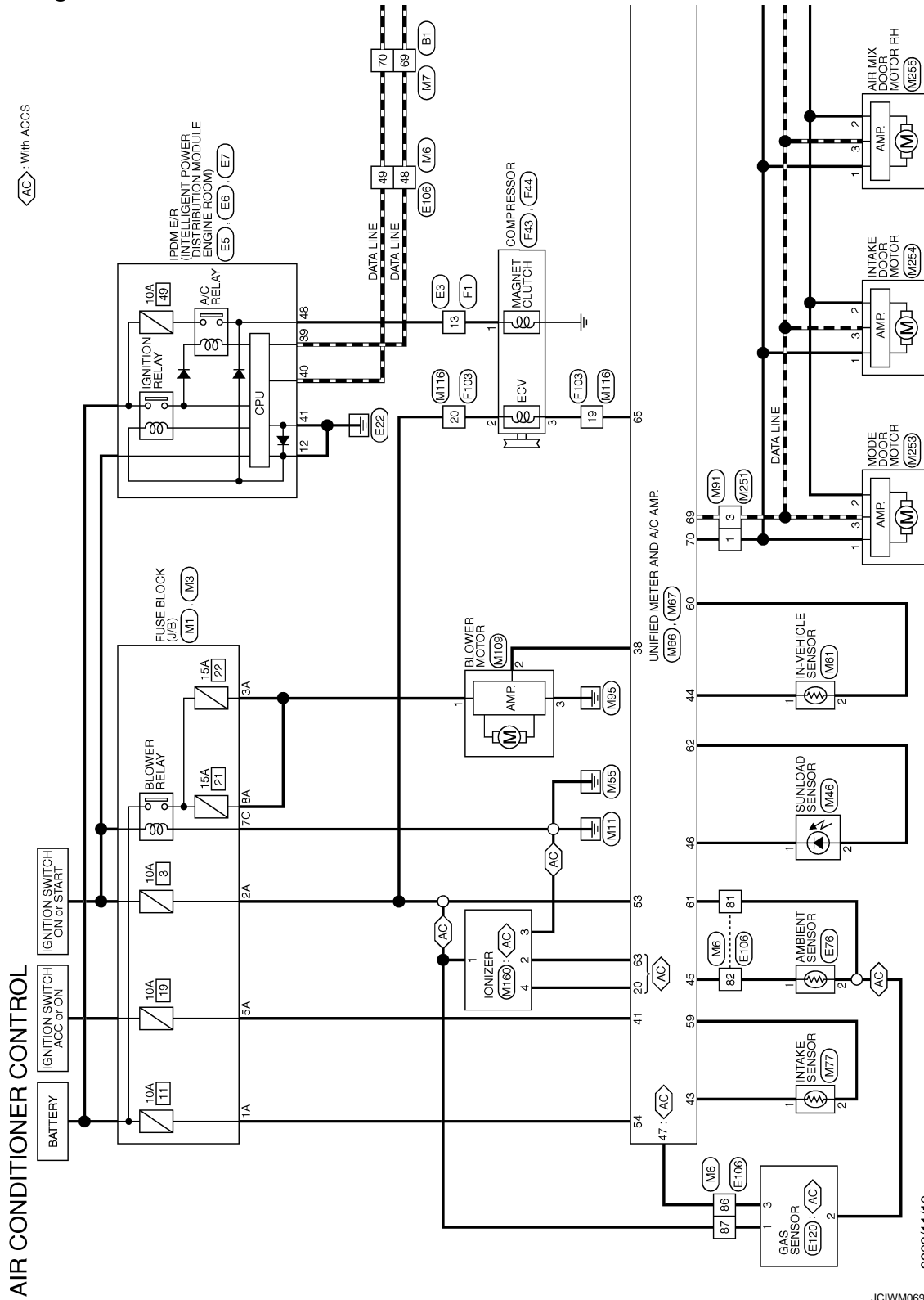
UNIFIED METER AND A/C AMP.

< ECU DIAGNOSIS INFORMATION >

[AUTOMATIC AIR CONDITIONER]

Wiring Diagram - AIR CONDITIONER CONTROL SYSTEM -

INFOID:000000005631075



AC: With ACES

A
B
C
D
E
F
G
H
I
J
K
L
M
N
O
P

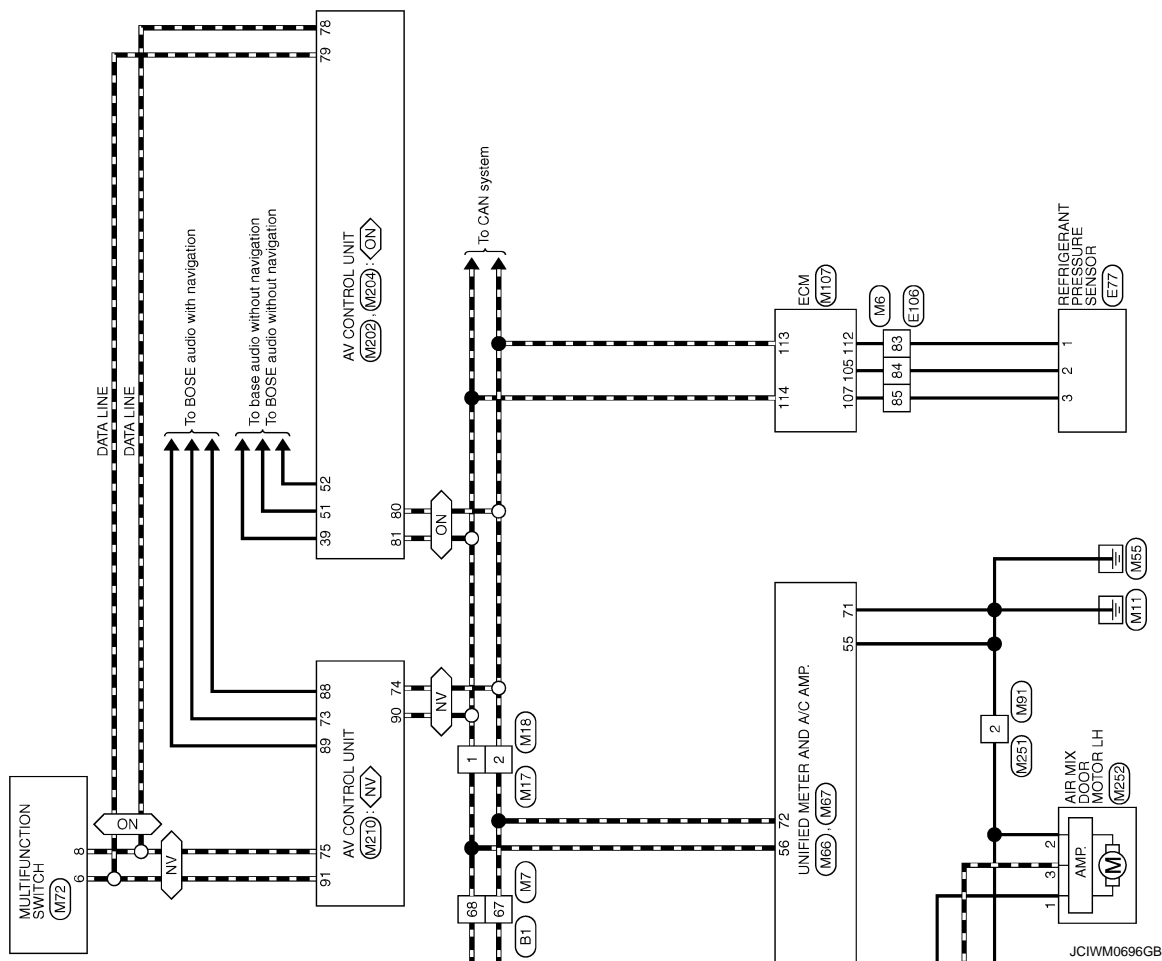
HAC

UNIFIED METER AND A/C AMP.

< ECU DIAGNOSIS INFORMATION >

[AUTOMATIC AIR CONDITIONER]

NV : With NAVI
ON : Without NAVI



UNIFIED METER AND A/C AMP.

< ECU DIAGNOSIS INFORMATION >

[AUTOMATIC AIR CONDITIONER]

AIR CONDITIONER CONTROL

Connector No.	B1
Connector Name	WIRE TO WIRE
Connector Type	TH80PW-CS16-TM4



Terminal No.	Color of Wire	Signal Name [Specification]
1	W	-
2	L	-
3	R	-
4	V	-
5	W	-
6	B	-
7	G	-
8	B	-
9	G	-
10	BR	-
11	BR	-
12	SHIELD	-
13	Y	-
14	L	-
15	R	-
16	W	-
17	BR	-
20	G	-
21	SB	-
22	GR	-
23	W	-
24	SB	-
25	BR	-
26	LG	-
27	Y	-
28	R	-
29	V	-
31	SHIELD	-
32	G	-
33	R	-
34	BG	-
35	GR	-
36	BR	-
37	P	- [With climate controlled seat]
37	Y	- [Without climate controlled seat]
38	V	- [With climate controlled seat]
38	GR	- [Without climate controlled seat]
40	SHIELD	-
41	L	-
42	P	-
43	SHIELD	-

Connector No.	E3
Connector Name	WIRE TO WIRE
Connector Type	SAA38MF-RS8-SHZ8



Terminal No.	Color of Wire	Signal Name [Specification]
1	L/Y	-
2	SHIELD	-
3	L/B	-
4	SHIELD	-
5	BR	-
6	G	-
7	W	-
8	W	-
9	W	-
10	Y	-
11	P	-
12	SB	-
13	BR	-
14	G	-
15	R	-
16	LG	-
17	P	-
18	Y	-
19	BG	-
20	B	-
21	SB	-
22	W	-
23	L	-
24	G	-
25	V	-
27	GR	-
28	V	-
29	GR	-
30	R	-
31	BR	-
32	Y	-
33	G	-
34	BG	-
37	SHIELD	-
38	L	-
39	P	-
40	R	-
41	W	-
42	LG	-

43	G	-
46	SHIELD	-
47	W	-
48	BR	-
49	G	-
50	B	-
51	SB	-
52	R	-

Connector No.	E5
Connector Name	IPDM E/R INTELLIGENT POWER DISTRIBUTION MODULE ENGINE ROOM
Connector Type	TH20FW-CS12-M4-1V



Terminal No.	Color of Wire	Signal Name [Specification]
4	V	-
5	L	-
7	R	-
11	BR	-
12	B/W	-
13	Y	-
16	LG	-
19	W	-
25	G	-
26	R	-
27	BG	-
28	Y	-
30	GR	-
32	V	-
33	P	-
36	G	-

JCIWM0697GB

A
B
C
D
E
F
G
H
HAC
J
K
L
M
N
O
P

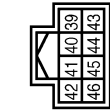
UNIFIED METER AND A/C AMP.

< ECU DIAGNOSIS INFORMATION >

[AUTOMATIC AIR CONDITIONER]

AIR CONDITIONER CONTROL

Connector No.	E6
Connector Name	SPW-IP-INTELLIGENT POWER DISTRIBUTION MODULE (ENGINE ROOM)
Connector Type	TH20FW-NH



Terminal No.	Color of Wire	Signal Name [Specification]
39	P	-
40	L	-
41	B/W	-
42	Y	-
43	SB	-
44	LG	-
45	G	-
46	W	-

Connector No.	E7
Connector Name	SPW-IP-INTELLIGENT POWER DISTRIBUTION MODULE (ENGINE ROOM)
Connector Type	TH20FW-CS12-M4



Terminal No.	Color of Wire	Signal Name [Specification]
47	P	-
48	BR	-
49	BG	-
50	W	-
51	Y	-
52	P	-
53	W	-
54	P	-
55	SB	-
56	LG	-
57	G	-
58	GR	-
59	BR	-
60	BR	-
61	BG	-
62	P	-
63	G	-
64	SB	-
65	P	-
66	SB	-
67	P	-
68	SB	-
69	P	-
70	BG	-
71	G	-
72	P	-
73	P	-
74	G	-
75	SB	-

76	Y	-
77	R	-
80	W	-

Connector No.	E16
Connector Name	AMBIENT SENSOR
Connector Type	RS03FB



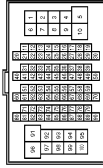
Terminal No.	Color of Wire	Signal Name [Specification]
1	G	-
2	P	-

Connector No.	E17
Connector Name	REFRIGERANT PRESSURE SENSOR
Connector Type	RK03FB



Terminal No.	Color of Wire	Signal Name [Specification]
1	Y	-
2	L	-
3	BG	-

Connector No.	E106
Connector Name	WIRE TO WIRE
Connector Type	TH20FW-CS16-TM4



Terminal No.	Color of Wire	Signal Name [Specification]
1	GR	-
2	GR	-
3	BG	-
4	B/W	-
5	G	-
6	BG	-
7	LG	-
8	G	-
9	W	-
10	W	-
11	V	-
12	R	-
13	L	-
14	GR	-
15	P	-
16	W	-
17	V	-
18	BG	-
19	GR	-
20	LG	-
30	R	-
31	L	-
32	BG	-
33	P	-
34	V	-
35	BR	-
36	W	-
37	Y	-
38	R	-
39	B	-
40	G	-
41	W	-
42	LG	-
43	SB	-
44	GR	-
45	BG	-
46	LG	-
47	V	-
48	P	-
48	L	-

59	B	-
66	LG	-
67	SR	-
68	R	-
69	W	-
70	G	-
80	W	-
81	P	-
82	G	-
83	V	-
84	L	-
85	BG	-
86	LG	-
87	Y	-
88	GR	-
89	W	-
90	W	-
91	G	-
92	B	-
93	GR	-
94	L	-
95	Y	-
97	BR	-
98	SHIELD	-
99	L	-
100	P	-

Connector No.	E120
Connector Name	GAS SENSOR
Connector Type	RH03FB



Terminal No.	Color of Wire	Signal Name [Specification]
1	Y	POWER
2	B	GND
3	LG	GAS SENSOR SIGNAL

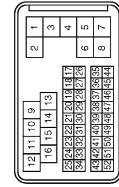
UNIFIED METER AND A/C AMP.

< ECU DIAGNOSIS INFORMATION >

[AUTOMATIC AIR CONDITIONER]

AIR CONDITIONER CONTROL

Connector No.	F1
Connector Name	WIRE TO WIRE
Connector Type	SA33FE-RS8-S1Z8



Terminal No.	Color of Wire	Signal Name [Specification]
1	L/Y	-
2	SHIELD	-
3	L/B	-
4	SHIELD	-
5	BR	-
7	G	-
8	W	-
9	W	-
10	G	-
11	R	-
12	P	-
13	L	-
14	LG	-
15	R	-
16	Y	-
17	W	-
18	LG	-
19	P	-
20	O	-
21	BR	-
22	G	-
23	Y	-
24	LG	-
25	V	-
27	GR	-
28	BR	-
29	L	-
30	R	-
31	P	-
32	W	-
33	SB	-
34	O	-
37	B	-
38	W	-
39	Y	-
40	G	-
41	B	-
42	GR	-

43	R	-
46	SHIELD	-
47	W/L	-
48	LG	-
49	O/L	-
50	L/Y	-
51	W	-
52	L/G	-

Connector No.	F43
Connector Name	COMPRESSOR
Connector Type	RS01FB



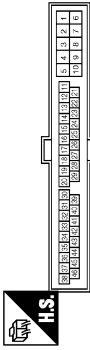
Terminal No.	Color of Wire	Signal Name [Specification]
1	L	-

Connector No.	F44
Connector Name	COMPRESSOR
Connector Type	RK02FGY



Terminal No.	Color of Wire	Signal Name [Specification]
2	Y	-
3	O	-

Connector No.	F103
Connector Name	WIRE TO WIRE
Connector Type	TK38FW-NS10



Terminal No.	Color of Wire	Signal Name [Specification]
2	G	-
3	W	-
4	R	-
5	B	-
9	Y	-
10	GR	-
19	O	-
20	Y	-
28	B	-
29	LG	-
30	R	-
31	R	-
41	O	-
42	BR	-
43	P	-
44	L	-
45	Y	-
46	V	-

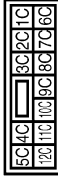
Connector No.	M1
Connector Name	FUSE BLOCK (J/B)
Connector Type	MS08FW-M2



Terminal No.	Color of Wire	Signal Name [Specification]
1A	V	-
2A	G	-
3A	L	-
4A	P	-

5A	BR	-
6A	Y	-
7A	GR	-
8A	L	-

Connector No.	M3
Connector Name	FUSE BLOCK (J/B)
Connector Type	NS12FW-CS



Terminal No.	Color of Wire	Signal Name [Specification]
6C	R	-
7C	B	-
8C	W	-
9C	BG	-
10C	L	-
11C	LG	-
12C	R	-

A
B
C
D
E
F
G
H
HAC
J
K
L
M
N
O
P

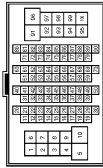
UNIFIED METER AND A/C AMP.

< ECU DIAGNOSIS INFORMATION >

[AUTOMATIC AIR CONDITIONER]

AIR CONDITIONER CONTROL

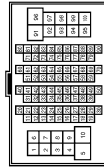
Connector No.	M7
Connector Name	WIRE TO WIRE
Connector Type	TH80MW-CS16-TM4



Terminal No.	Color of Wire	Signal Name [Specification]
1	BG	-
2	R	-
3	G	-
4	G	-
5	G	-
6	BR	-
7	BR	-
8	Y	-
9	W	-
10	W	-
11	GR	-
12	R	-
13	L	-
14	G	-
15	P	-
16	W	-
17	BR	-
18	V	-
19	BG	-
20	L	-
30	R	-
31	L	-
32	Y	-
33	GR	-
34	P	-
35	BR	-
36	BR	-
37	Y	-
38	LG	-
39	SB	-
40	G	-
41	W	-
42	LG	-
43	P	-
44	GR	-
45	BG	-
46	G	-
47	P	-
48	P	-

49	L	-
59	B	-
66	Y	-
67	C	-
68	R	-
69	W	-
70	G	-
80	SB	-
81	R	-
82	V	-
83	W	-
84	L	-
85	BG	-
86	G	-
87	V	-
88	B	-
89	SB	-
90	G	-
91	W	-
92	B	-
93	G	-
94	L	-
95	BR	-
97	P	-
98	SHIELD	-
99	V	-
100	SB	-

Connector No.	M7
Connector Name	WIRE TO WIRE
Connector Type	TH80MW-CS16-TM4



Terminal No.	Color of Wire	Signal Name [Specification]
1	BG	-
2	LG	-
3	G	-
4	V	-
5	L	-
6	B	-
9	L	-
10	BR	-
12	SHIELD	-

13	V	-
14	BR	-
15	GR	-
16	LG	-
17	L	-
20	BR	-
21	G	-
22	R	-
23	SB	-
24	B	-
25	W	-
26	L	-
27	V	-
28	P	-
29	V	-
31	SHIELD	-
32	G	-
33	R	-
34	BG	-
35	GR	-
36	BR	-
37	P	-
37	L	-
38	V	-
38	GR	-
40	SHIELD	-
41	L	-
42	P	-
43	SHIELD	-
44	Y	-
45	BR	-
46	SB	-
47	SB	-
48	LG	-
48	LG	-
49	SB	-
50	SB	-
50	LG	-
51	R	-
52	V	-
53	P	-
54	BR	-
55	Y	-
55	BG	-
56	L	-
57	V	-
60	LG	-
61	BG	-
62	B	-
63	V	-
64	SR	-
65	BR	-

66	Y	-
67	P	-
68	L	-
69	P	-
70	L	-
80	LG	-
81	G	-
82	Y	-
83	BR	-
84	V	-
85	L	-
86	Y	-
87	GR	-
91	R	-
93	G	-
94	P	-
95	GR	-
96	Y	-
97	SB	-
99	Y	-
100	Y/B	-

Connector No.	M17
Connector Name	WIRE TO WIRE
Connector Type	TK02FW



Terminal No.	Color of Wire	Signal Name [Specification]
1	L	-
2	P	-

UNIFIED METER AND A/C AMP.

< ECU DIAGNOSIS INFORMATION >

[AUTOMATIC AIR CONDITIONER]

AIR CONDITIONER CONTROL

Connector No.	IM18
Connector Name	WIRE TO WIRE
Connector Type	TK22NW



Terminal No.	Color of Wire	Signal Name [Specification]
1	L	-
2	P	-

Connector No.	IM6
Connector Name	SUNLOAD SENSOR
Connector Type	K02FE



Terminal No.	Color of Wire	Signal Name [Specification]
1	BG	-
2	SB	-

Connector No.	IM1
Connector Name	IN-VEHICLE SENSOR
Connector Type	A02FW



Terminal No.	Color of Wire	Signal Name [Specification]
1	LG	-
2	L	-

Connector No.	IM6
Connector Name	UNIFIED METER AND A.C AMP.
Connector Type	TH43FT-NH



Terminal No.	Color of Wire	Signal Name [Specification]
4	G	STOP LAMP SWITCH
5	L	MANUAL MODE SHIFTER UP SIGNAL
6	BG	PADDLE SHIFTER UP SIGNAL
7	GR	COMMUNICATION SIGNAL (AMP->METER)
8	L	VEHICLE SPEED (2-PULSE)
9	SB	SEAT BELT BUCKLE SWITCH SIGNAL (DRIVER SIDE)
10	W	MANUAL MODE SIGNAL
11	G	NON-MANUAL MODE SIGNAL
14	SB	COMMUNICATION SIGNAL (LCP->AMP.)
20	G	ION ON / OFF SIGNAL
25	V	MANUAL MODE SHIFTER DOWN SIGNAL
26	G	PADDLE SHIFTER DOWN SIGNAL
27	LG	COMMUNICATION SIGNAL (METER->AMP.)
28	R	VEHICLE SPEED (8-PULSE)
30	V	PARKING BRAKE SWITCH SIGNAL
34	B	COMMUNICATION SIGNAL (AMP->LSD)
38	P	BLOWER MOTOR CONTROL SIGNAL

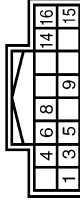
Connector No.	IM7
Connector Name	UNIFIED METER AND A.C AMP.
Connector Type	TH43FT-NH



Terminal No.	Color of Wire	Signal Name [Specification]
41	BR	ACC POWER SUPPLY
42	BR	FUEL LEVEL SENSOR SIGNAL
43	R	INTAKE SENSOR SIGNAL
44	LG	IN-VEHICLE SENSOR SIGNAL
45	V	AMBIENT SENSOR SIGNAL

46	BG	SUNLOAD SENSOR SIGNAL
47	G	GAS SENSOR SIGNAL
52	W	IGNITION POWER SUPPLY
54	EG	BATTERY POWER SUPPLY
55	B	GROUND
56	L	CAN-H
57	LG	BRAKE FLUID LEVEL SWITCH SIGNAL
58	Y	FUEL LEVEL SENSOR SIGNAL GROUND
59	GR	INTAKE SENSOR GROUND
60	L	IN-VEHICLE SENSOR GROUND
61	R	AMBIENT SENSOR GROUND
62	SB	SUNLOAD SENSOR GROUND
63	L	ION CONTROL MODE OUTPUT SIGNAL
65	BG	ECV SIGNAL
69	L	A/C LAN SIGNAL
70	R	EACH DOOR MOTOR POWER SUPPLY
71	GR	GROUND
72	P	CAN-L

Connector No.	M72
Connector Name	MULTIFUNCTION SWITCH
Connector Type	TH16FW-NH



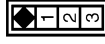
Terminal No.	Color of Wire	Signal Name [Specification]
1	B	ACC
2	L	ACC
3	B	ACC
4	EG	ILL
5	V	ILL CONT
6	SB	AV COMM (H)
8	LG	AV COMM (L)
9	BR	SW GND
14	SB	DISK EJECT SIGNAL
16	G	HAZARD ON

Connector No.	IM77
Connector Name	INTAKE SENSOR
Connector Type	TK04FW



Terminal No.	Color of Wire	Signal Name [Specification]
1	R	-
2	GR	-

Connector No.	IM91
Connector Name	WIRE TO WIRE
Connector Type	AG3MW-P



Terminal No.	Color of Wire	Signal Name [Specification]
1	R	-
2	B	-
3	L	-

JCIWM0701GB

A
B
C
D
E
F
G
H
HAC
J
K
L
M
N
O
P

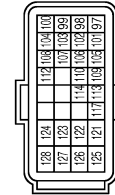
UNIFIED METER AND A/C AMP.

< ECU DIAGNOSIS INFORMATION >

[AUTOMATIC AIR CONDITIONER]

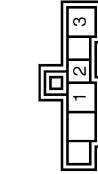
AIR CONDITIONER CONTROL

Connector No.	M107
Connector Name	ECM
Connector Type	RH24FGY-R26-R-LH-Z



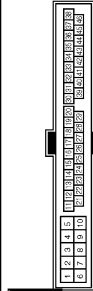
Terminal No.	Color of Wire	Signal Name [Specification]
97	R	APS 1
98	P	APS 2
99	L	AVCC 1-APS 1
100	W	GND-APS 1
101	SB	ASCDISW
102	G	FTPRS
103	G	AVCC 2-APS 2
104	GR	GND-APS 2
105	L	PDPRESS
106	LG	TF
107	BR	AVCC-PDPRES
108	Y	GND ASCDISW
109	G	NEUT-H
110	BR	TACHO
112	R	GND-PDPRES
113	P	VEHCAN-LI
114	L	VEHCAN-HI
117	V	KLINE
121	LG	GDOV
122	P	BRAKE
123	B	GND
124	B	GND
125	R	VRP
126	BR	BNGSW
127	B	GND
128	B	GND

Connector No.	M109
Connector Name	BLOWER MOTOR
Connector Type	NS30FW-M3



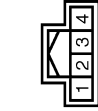
Terminal No.	Color of Wire	Signal Name [Specification]
1	L	-
2	P	-
3	B	-

Connector No.	M116
Connector Name	WIRE TO WIRE
Connector Type	TK38MW-MS10



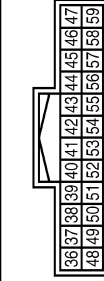
Terminal No.	Color of Wire	Signal Name [Specification]
2	W	-
3	BG	-
4	PR	-
5	B	-
9	R	-
10	R	-
19	EG	-
20	Y	-
28	GR	-
29	LG	-
30	LG	-
31	W	-
41	BG	-
42	G	-
43	P	-
44	L	-
45	G	-
46	Y	-

Connector No.	M160
Connector Name	IONIZER
Connector Type	TH64FW-NH



Terminal No.	Color of Wire	Signal Name [Specification]
1	V	IGN
2	L	ION MODE
3	B	GND
4	G	ION ON / OFF

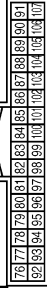
Connector No.	M202
Connector Name	AV CONTROL UNIT
Connector Type	TH64FW-NH



Terminal No.	Color of Wire	Signal Name [Specification]
36	BG	SIGNAL VCC
37	LG	SIGNAL GND
38	R	HP
39	L	COMM (DISP->CONT)
40	B	RGB AREA (YS) SIGNAL
41	SHIELD	SHIELD
42	W	RGB SYNC
43	G	RGB (RRED) SIGNAL
44	L	RGB (GGREEN) SIGNAL
45	P	RGB (BBLUE) SIGNAL
46	V	COMPOSITE IMAGE GND
47	SB	COMPOSITE IMAGE SIGNAL
48	Y	INVERTER VCC
49	BR	INVERTER GND
50	G	VP
51	LG	COMM (CONT->DISP)
52	B	SHIELD
57	SHIELD	SHIELD

Connector No.	58
Connector Name	SHIELD
Connector Type	SHIELD

Connector No.	M204
Connector Name	AV CONTROL UNIT
Connector Type	TH62FW-NH



Terminal No.	Color of Wire	Signal Name [Specification]
76	LG	AV COMM (L)
77	SR	AV COMM (H)
78	LG	AV COMM (L)
79	SR	AV COMM (H)
80	P	CAN-L
81	L	CAN-H
82	BR	SW GND
86	SHIELD	SHIELD
87	L	TEL VOICE SIGNAL (+)
88	P	TEL VOICE SIGNAL (-)
92	GR	VEHICLE SPEED (G-PULSE)
93	SB	PARKING BRAKE
94	BG	REVERSE
95	G	IGNITION
96	SB	DISK EJECT SIGNAL

UNIFIED METER AND A/C AMP.

< ECU DIAGNOSIS INFORMATION >

[AUTOMATIC AIR CONDITIONER]

A
B
C
D
E
F
G
H
HAC
J
K
L
M
N
O
P

AIR CONDITIONER CONTROL

Connector No.	M210
Connector Name	AV CONTROL UNIT
Connector Type	TH2FW-NH



61	62	63	64	65	66	67	68	69	70	71	72	73	74	75	76	77	78	79	80	81	82	83	84	85	86	87	88	89	90	91	92
----	----	----	----	----	----	----	----	----	----	----	----	----	----	----	----	----	----	----	----	----	----	----	----	----	----	----	----	----	----	----	----

Terminal No.	Color of Wire	Signal Name [Specification]
65	SB	PARKING BRAKE
67	P	COMPOSITE IMAGE GND
68	L	COMPOSITE IMAGE SIGNAL
71	SHIELD	MICROPHONE SHIELD
72	G	MICROPHONE VCC
73	LG	COMM (GORT->DISP)
74	P	CAN-L
75	LG	AV COMM (L)
76	LG	AV COMM (L)
79	L	ILLUMINATION
80	G	IGNITION
81	BG	REVERSE SIGNAL
82	GR	VEHICLE SPEED (8-PULSE)
83	SHIELD	SHIELD
87	R	MICROPHONE SIGNAL
88	B	SHIELD
89	L	COMM (DISP->CONT)
90	L	CAN-H
91	SB	AV COMM (H)
92	SB	AV COMM (H)

1	2	3
---	---	---

Connector No.	M251
Connector Name	WIRE TO WIRE
Connector Type	A03FW



Terminal No.	Color of Wire	Signal Name [Specification]
1	L	
2	B	

3	L	
---	---	--

Connector No.	M252
Connector Name	AIR MIX DOOR MOTOR LH
Connector Type	A03FW



1	2	3
---	---	---

Terminal No.	Color of Wire	Signal Name [Specification]
1	L	
2	B	
3	L	

Connector No.	M253
Connector Name	MODE DOOR MOTOR
Connector Type	A03FW



1	2	3
---	---	---

Terminal No.	Color of Wire	Signal Name [Specification]
1	L	
2	B	
3	L	

Connector No.	M254
Connector Name	INTAKE DOOR MOTOR
Connector Type	A03FW



1	2	3
---	---	---

Terminal No.	Color of Wire	Signal Name [Specification]
1	L	
2	B	
3	L	

Connector No.	M255
Connector Name	AIR MIX DOOR MOTOR RH
Connector Type	A03FW



1	2	3
---	---	---

Terminal No.	Color of Wire	Signal Name [Specification]
1	L	
2	B	
3	L	

Fail-safe

FAIL SAFE

The unified meter and A/C amp. activates the fail-safe control if CAN communication with each unit is malfunctioning.

JCIWM0703GB

INFOID:000000005894316

UNIFIED METER AND A/C AMP.

< ECU DIAGNOSIS INFORMATION >

[AUTOMATIC AIR CONDITIONER]

Function	Specifications	
Speedometer	Reset to zero by suspending communication.	
Tachometer		
Fuel gauge	Indicates fuel level	
Engine coolant temperature gauge	Reset to zero by suspending communication.	
Illumination control	When suspending communication, change to nighttime mode.	
Information display	The display turns off by suspending communication.	
Buzzer	The buzzer turns off by suspending communication.	
Warning lamp/indicator lamp	ABS warning lamp	The lamp turns on by suspending communication.
	VDC OFF indicator lamp	
	SLIP indicator lamp	
	Brake warning lamp	
	CRUISE warning lamp	
	Malfunction indicator lamp	
	Low tire pressure warning lamp	The lamp turns ON after flashing for 1 minute.
	AFS OFF indicator lamp	The lamp blinking caused by communication malfunction
	High beam indicator	The lamp turns off by suspending communication.
	Turn signal indicator lamp	
	Oil pressure warning lamp	
	A/T CHECK warning lamp	
	Key warning lamp	
	Master warning lamp	
	Tail lamp indicator lamp	
Front fog lamp indicator lamp		

AIR CONDITIONER CONTROL

< SYMPTOM DIAGNOSIS >

[AUTOMATIC AIR CONDITIONER]

SYMPTOM DIAGNOSIS

AIR CONDITIONER CONTROL

Diagnosis Chart By Symptom

INFOID:000000005631077

Symptom	Reference	
A/C system does not activate.	Go to Trouble Diagnosis Procedure for A/C System.	HAC-50. "Diagnosis Procedure"
A/C system cannot be controlled.	Go to Preset Switch System.	<ul style="list-style-type: none"> • AV-104. "Symptom Table" (BASE AUDIO WITHOUT NAVIGATION) • AV-243. "Symptom Table" (BOSE AUDIO WITHOUT NAVIGATION) • AV-400. "Symptom Table" (BOSE AUDIO WITH NAVIGATION)
Air outlet does not change.	Go to Trouble Diagnosis Procedure for Mode Door Motor. (LAN)	HAC-51. "Diagnosis Procedure"
Mode door motor does not operate normally.		
Discharge air temperature (driver side) does not change.	Go to Trouble Diagnosis Procedure for Air Mix Door Motor (driver side). (LAN)	HAC-53. "Diagnosis Procedure"
Air mix door motor (driver side) does not operate normally.		
Discharge air temperature (passenger side) does not change.	Go to Trouble Diagnosis Procedure for Air Mix Door Motor (passenger side). (LAN)	HAC-55. "Diagnosis Procedure"
Air mix door motor (passenger side) does not operate normally.		
Intake door does not change.	Go to Trouble Diagnosis Procedure for Intake Door Motor. (LAN)	HAC-57. "Diagnosis Procedure"
Intake door motor does not operate normally.		
Blower motor operation is malfunctioning.	Go to Trouble Diagnosis Procedure for Blower Motor.	HAC-59. "Diagnosis Procedure"
Magnet clutch does not engage.	Go to Trouble Diagnosis Procedure for Magnet Clutch.	HAC-62. "Diagnosis Procedure"
Insufficient cooling	Go to Trouble Diagnosis Procedure for Insufficient Cooling.	HAC-118. "Inspection procedure"
No cool air comes out. (Air flow volume is normal.)		
Insufficient heating	Go to Trouble Diagnosis Procedure for Insufficient Heating.	HAC-120. "Inspection procedure"
No warm air comes out. (Air flow volume is normal.)		
Noise	Go to Trouble Diagnosis Procedure for Noise.	HAC-122. "Inspection procedure"
Noise is heard when the A/C system operates.		
Self-diagnosis cannot be performed.	Go to Trouble Diagnosis Procedure for Self-diagnosis.	HAC-124. "Inspection procedure"
Memory function does not operate.	Go to Trouble Diagnosis Procedure for Memory Function.	HAC-125. "Inspection procedure"
The setting is not maintained. (It return to the initial condition.)		
Plasmacluster system does not operate.*	Go to Trouble Diagnosis Procedure for Plasmacluster system.	HAC-80. "Diagnosis Procedure"

*: With ACCS

INSUFFICIENT COOLING

< SYMPTOM DIAGNOSIS >

[AUTOMATIC AIR CONDITIONER]

INSUFFICIENT COOLING

Description

INFOID:000000005631078

Symptom

- Insufficient cooling
- No cool air comes out. (Air flow volume is normal.)

Inspection procedure

INFOID:000000005631079

1. CHECK WITH A GAUGE OF RECOVERY/RECYCLING RECHARGING EQUIPMENT

Connect the recovery/recycling recharging equipment to the vehicle and perform the pressure inspection with the gauge.

Is there refrigerant?

- YES >> GO TO 2.
NO-1 >> Check for refrigerant leakages with the refrigerant leakage detecting fluorescent leak detector. Refer to [HA-34, "Inspection"](#).
NO-2 >> GO TO 2 after repairing or replacing the parts according to the inspection results.

2. CHECK CHARGED REFRIGERANT AMOUNT

1. Connect recovery/recycling recharging equipment to the vehicle and discharge the refrigerant. Refer to [HA-25, "Collection and Charge"](#).
2. Recharge with the proper amount of refrigerant. Refer to [HA-25, "Collection and Charge"](#).
3. Perform the inspection with the refrigerant leakage detecting fluorescent leak detector. Refer to [HA-34, "Inspection"](#).

Is the inspection result normal?

- YES >> GO TO 3.
NO >> Refill the refrigerant and repair or replace the parts according to the inspection results.

3. PERFORM THE PERFORMANCE TEST

Connect recovery/recycling recharging equipment to the vehicle and perform the performance test. Refer to [HA-32, "Performance Chart"](#).

Is the inspection result normal?

- YES >> GO TO 4.
NO >> Perform the diagnosis with the gauge pressure. Refer to [HA-7, "Trouble Diagnosis For Unusual Pressure"](#).

4. CHECK SETTING OF TEMPERATURE SETTING TRIMMER

Check the setting of temperature setting trimmer. Refer to [HAC-9, "Temperature Setting Trimmer"](#).

1. Check that the temperature setting trimmer is set to "+ direction".

NOTE:

The control temperature can be set with the setting of temperature setting trimmer.

2. Set temperature control dial to "0".

Are the symptoms solved?

- YES >> INSPECTION END
NO >> GO TO 5.

5. PERFORM SELF-DIAGNOSIS

Perform self-diagnosis function. Refer to [HAC-44, "Diagnosis Description"](#).

Is the inspection result normal?

- YES >> GO TO 6.
NO >> Repair or replace parts according to the inspection results.

6. CHECK DRIVE BELT

Check tension of the drive belt. Refer to [EM-13, "Checking"](#).

Is the inspection result normal?

- YES >> GO TO 7.

INSUFFICIENT COOLING

< SYMPTOM DIAGNOSIS >

[AUTOMATIC AIR CONDITIONER]

NO >> Adjust or replace drive belt.

7.CHECK AIR LEAKAGE FROM DUCT

Check duct and nozzle, etc. of A/C system for air leakage.

Is the inspection result normal?

YES >> GO TO 8.

NO >> Repair or replace parts according to the inspection results.

8.CHECK ECV

Perform the ECV diagnosis procedure. Refer to [HAC-64. "Diagnosis Procedure"](#).

Is the inspection result normal?

YES >> Replace the unified meter and A/C amp.

NO >> Replace the compressor.

A
B
C
D
E
F
G
H
J
K
L
M
N
O
P

HAC

INSUFFICIENT HEATING

< SYMPTOM DIAGNOSIS >

[AUTOMATIC AIR CONDITIONER]

INSUFFICIENT HEATING

Description

INFOID:000000005631080

Symptom

- Insufficient heating
- No warm air comes out. (Air flow volume is normal.)

Inspection procedure

INFOID:000000005631081

1.CHECK COOLING SYSTEM

1. Check engine coolant level and check for leakage. Refer to [CO-7. "Inspection"](#).
2. Check radiator cap. Refer to [CO-10. "RADIATOR CAP : Inspection"](#).
3. Check water flow sounds of engine coolant. Refer to [CO-8. "Refilling"](#).

Is the inspection result normal?

- YES >> GO TO 2.
NO >> Refill the engine coolant and repair or replace the parts according to the inspection results.

2.CHECK SETTING OF TEMPERATURE SETTING TRIMMER

1. Check the setting of temperature setting trimmer. Refer to [HAC-9. "Temperature Setting Trimmer"](#).
2. Check that the temperature setting trimmer is set to “– direction”.

NOTE:

The control temperature can be set with the setting of temperature setting trimmer.

3. Set temperature control dial to “0”.

Are the symptoms solved?

- YES >> INSPECTION END
NO >> GO TO 3.

3.CHECK OPERATION

1. Turn temperature dial (driver side) and raise temperature setting to 32°C (90°F) after warming up the engine.
2. Check that warm air blows from outlets.

Is the inspection result normal?

- YES >> INSPECTION END
NO >> GO TO 4.

4.PERFORM SELF-DIAGNOSIS

Perform self-diagnosis function. Refer to [HAC-44. "Diagnosis Description"](#).

Is the inspection result normal?

- YES >> GO TO 5.
NO >> Repair or replace parts according to the inspection results.

5.CHECK AIR LEAKAGE FROM DUCT

Check duct and nozzle, etc. of A/C system for air leakage.

Is the inspection result normal?

- YES >> GO TO 6.
NO >> Repair or replace parts according to the inspection results.

6.CHECK HEATER HOSE INSTALLATION CONDITION

Check the heater hose installation condition visually (for twist, crush, etc.).

Is the inspection result normal?

- YES >> GO TO 7.
NO >> Repair or replace parts according to the inspection results.

7.CHECK TEMPERATURE OF HEATER HOSE

1. Check the temperature of inlet hose and outlet hose of heater core.

INSUFFICIENT HEATING

< SYMPTOM DIAGNOSIS >

[AUTOMATIC AIR CONDITIONER]

2. Check that the inlet side of heater core is hot and the outlet side is slightly lower than/almost equal to the inlet side.

CAUTION:

The temperature inspection should be performed in a short time because the engine coolant temperature is too hot.

Is the inspection result normal?

YES >> GO TO 8.

NO >> Replace the heater core after performing the procedures after the cooling system inspection again. GO TO 1.

8.REPLACE HEATER CORE

Replace the heater core. Refer to heater core. Refer to [HA-47. "Exploded View"](#).

Are the symptoms solved?

YES >> INSPECTION END

NO >> Perform the procedures after the cooling system inspection again. GO TO 1.

A
B
C
D
E
F
G
H
J
K
L
M
N
O
P

HAC

NOISE**Description**

INFOID:000000005631082

Symptom

- Noise
- Noise is heard when the A/C system operates.

Inspection procedure

INFOID:000000005631083

1.CHECK OPERATION

1. Operate the A/C system and check the operation. Refer to [HAC-7. "Description & Inspection"](#).
2. Check the parts where noise is occurring.

Can the parts where noise is occurring be checked?

- YES-1 >> Noise from blower motor: GO TO 2.
 YES-2 >> Noise from compressor: GO TO 3.
 YES-3 >> Noise from expansion valve: GO TO 4.
 YES-4 >> Noise from A/C piping (pipe, flexible hose): GO TO 6.
 YES-5 >> Noise from drive belt: GO TO 7.
 NO >> INSPECTION END

2.CHECK THE BLOWER MOTOR

1. Remove the blower motor.
2. Remove in-cabin microfilter.
3. Remove foreign materials that are in the blower unit.
4. Check the noise from the blower motor again.

Is the inspection result normal?

- YES >> INSPECTION END
 NO >> Replace the blower motor.

3.REPLACE COMPRESSOR

1. Correct the refrigerant with recovery/recycling recharging equipment.
2. Recharge with the proper amount of the collected refrigerant after recycling or new refrigerant.
3. Check for the noise from compressor again.

Is the inspection result normal?

- YES >> INSPECTION END
 NO >> Replace compressor.

4.CHECK WITH GAUGE PRESSURE

Perform the diagnosis with the gauge pressure. Refer to [HA-7. "Trouble Diagnosis For Unusual Pressure"](#).

Is the inspection result normal?

- YES >> GO TO 5.
 NO >> Repair or replace malfunctioning part.

5.REPLACE EXPANSION VALVE

1. Correct the refrigerant with recovery/recycling recharging equipment.
2. Recharge with the proper amount of the collected refrigerant after recycling or new refrigerant.
3. Check for the noise from expansion valve again.

Are the symptoms solved?

- YES >> INSPECTION END
 NO >> Replace expansion valve.

6.CHECK A/C PIPING (PIPE, FLEXIBLE HOSE)

1. Check A/C piping (pipe, flexible hose) (for deformation and damage, etc.).
2. Check the installation condition of clips and brackets, etc. of A/C piping (pipe, flexible hose).

Is the inspection result normal?

- YES >> Fix the line with rubber or come vibration absorbing material.

NOISE

< SYMPTOM DIAGNOSIS >

[AUTOMATIC AIR CONDITIONER]

NO >> Repair or replace parts according to the inspection results.

7.CHECK DRIVE BELT

Check tension of the drive belt. Refer to [EM-13, "Checking"](#).

Is the inspection result normal?

YES >> Check the noise from compressor: GO TO 3.

NO >> Adjust or replace drive belt according to the inspection results.

A

B

C

D

E

F

G

H

HAC

J

K

L

M

N

O

P

SELF-DIAGNOSIS CANNOT BE PERFORMED

< SYMPTOM DIAGNOSIS >

[AUTOMATIC AIR CONDITIONER]

SELF-DIAGNOSIS CANNOT BE PERFORMED

Description

INFOID:000000005631084

Symptom: Self-diagnosis function does not operate normally.

Inspection procedure

INFOID:000000005631085

1. CHECK SELF-DIAGNOSIS FUNCTION

1. Turn ignition switch ON.
2. Set in self-diagnosis mode as per the following. Within 10 seconds after starting engine (ignition switch is turned ON.), press OFF switch for at least 5 seconds.

NOTE:

- If battery voltage drops below 12 V during diagnosis STEP-3, door motor speed becomes slower and as a result, the system may generate an error even when operation is normal. Start engine before performing this diagnosis to avoid this.
- Former STEP-1 (indicators and display screen are checked) does not exist in this self-diagnosis function.
- OFF switch may not be recognized according to the timing of pressing it. Operate OFF switch after the intake switch indicators are turned ON.

Does self-diagnosis function operate?

- YES >> INSPECTION END
NO >> GO TO 2.

2. CHECK POWER SUPPLY AND GROUND CIRCUIT OF UNIFIED METER AND A/C AMP.

Check power supply and ground circuit of unified meter and A/C amp. Refer to [HAC-49. "UNIFIED METER AND A/C AMP. : Diagnosis Procedure"](#).

Is the inspection result normal?

- YES >> Replace unified meter and A/C amp.
NO >> Repair or replace malfunctioning part.

MEMORY FUNCTION DOES NOT OPERATE

< SYMPTOM DIAGNOSIS >

[AUTOMATIC AIR CONDITIONER]

MEMORY FUNCTION DOES NOT OPERATE

Description

INFOID:000000005631086

Symptom

- Memory function does not operate normally.
- The setting is not maintained. (It returns to the initial condition.)

Inspection procedure

INFOID:000000005631087

1.CHECK OPERATION

1. Set temperature control dial to 32°C (90°F).
2. Press OFF switch.
3. Turn ignition switch OFF.
4. Turn ignition switch ON.
5. Press AUTO switch.
6. Check that the set temperature is maintained.

Is the inspection result normal?

- YES >> INSPECTION END
NO >> GO TO 2.

2.CHECK POWER SUPPLY AND GROUND CIRCUIT OF UNIFIED METER AND A/C AMP.

Check power supply and ground circuit of unified meter and A/C amp. Refer to [HAC-49, "UNIFIED METER AND A/C AMP. : Diagnosis Procedure"](#).

Is the inspection result normal?

- YES >> Replace unified meter and A/C amp.
NO >> Repair or replace malfunctioning part.

A
B
C
D
E
F
G
H
J
K
L
M
N
O
P

HAC

PRECAUTION**PRECAUTIONS****Precaution for Supplemental Restraint System (SRS) "AIR BAG" and "SEAT BELT PRE-TENSIONER"**

INFOID:000000005631090

The Supplemental Restraint System such as "AIR BAG" and "SEAT BELT PRE-TENSIONER", used along with a front seat belt, helps to reduce the risk or severity of injury to the driver and front passenger for certain types of collision. This system includes seat belt switch inputs and dual stage front air bag modules. The SRS system uses the seat belt switches to determine the front air bag deployment, and may only deploy one front air bag, depending on the severity of a collision and whether the front occupants are belted or unbelted. Information necessary to service the system safely is included in the "SRS AIR BAG" and "SEAT BELT" of this Service Manual.

WARNING:

- To avoid rendering the SRS inoperative, which could increase the risk of personal injury or death in the event of a collision which would result in air bag inflation, all maintenance must be performed by an authorized NISSAN/INFINITI dealer.
- Improper maintenance, including incorrect removal and installation of the SRS, can lead to personal injury caused by unintentional activation of the system. For removal of Spiral Cable and Air Bag Module, see the "SRS AIR BAG".
- Do not use electrical test equipment on any circuit related to the SRS unless instructed to in this Service Manual. SRS wiring harnesses can be identified by yellow and/or orange harnesses or harness connectors.

PRECAUTIONS WHEN USING POWER TOOLS (AIR OR ELECTRIC) AND HAMMERS**WARNING:**

- When working near the Air Bag Diagnosis Sensor Unit or other Air Bag System sensors with the ignition ON or engine running, DO NOT use air or electric power tools or strike near the sensor(s) with a hammer. Heavy vibration could activate the sensor(s) and deploy the air bag(s), possibly causing serious injury.
- When using air or electric power tools or hammers, always switch the ignition OFF, disconnect the battery, and wait at least 3 minutes before performing any service.

Service Procedure Precautions for Models with a Pop-up Roll Bar

INFOID:000000005631091

WARNING:

- Risk of passenger injury or death may increase if the pop-up roll bar does not deploy during a roll over collision. In order to reduce the chance of an incident where the pop-up roll bar is inoperative, all maintenance must be performed by a NISSAN or INFINITI dealer.
- Before removing and installing the pop-up roll bar component parts and harness, always turn the ignition switch OFF, disconnect the battery negative terminal, and wait for 3 minutes or more. (The purpose of this operation is to discharge electricity that is accumulated in the auxiliary power supply circuit in the air bag diagnosis sensor unit.)
- When repairing, removing, and installing a pop-up roll bar, always refer to SRS AIR BAG and SRS AIR BAG CONTROL warnings in the Service Manual.

Precaution Necessary for Steering Wheel Rotation after Battery Disconnect

INFOID:000000005631092

NOTE:

- Before removing and installing any control units, first turn the push-button ignition switch to the LOCK position, then disconnect both battery cables.
- After finishing work, confirm that all control unit connectors are connected properly, then re-connect both battery cables.
- Always use CONSULT-III to perform self-diagnosis as a part of each function inspection after finishing work. If a DTC is detected, perform trouble diagnosis according to self-diagnosis results.

For vehicle with steering lock unit, if the battery is disconnected or discharged, the steering wheel will lock and cannot be turned.

If turning the steering wheel is required with the battery disconnected or discharged, follow the operation procedure below before starting the repair operation.

PRECAUTIONS

< PRECAUTION >

[AUTOMATIC AIR CONDITIONER]

OPERATION PROCEDURE

1. Connect both battery cables. A
NOTE:
Supply power using jumper cables if battery is discharged.
2. Turn the push-button ignition switch to ACC position. B
(At this time, the steering lock will be released.)
3. Disconnect both battery cables. The steering lock will remain released with both battery cables disconnected and the steering wheel can be turned. C
4. Perform the necessary repair operation.
5. When the repair work is completed, re-connect both battery cables. With the brake pedal released, turn the push-button ignition switch from ACC position to ON position, then to LOCK position. (The steering wheel will lock when the push-button ignition switch is turned to LOCK position.) D
6. Perform self-diagnosis check of all control units using CONSULT-III. E

Precaution for Battery Service

INFOID:000000005631093

Before disconnecting the battery, lower both the driver and passenger windows. This will prevent any interference between the window edge and the vehicle when the door is opened/closed. During normal operation, the window slightly raises and lowers automatically to prevent any window to vehicle interference. The automatic window function will not work with the battery disconnected. F

G

H

HAC

J

K

L

M

N

O

P

PRESET SWITCH

< REMOVAL AND INSTALLATION >

[AUTOMATIC AIR CONDITIONER]

REMOVAL AND INSTALLATION

PRESET SWITCH

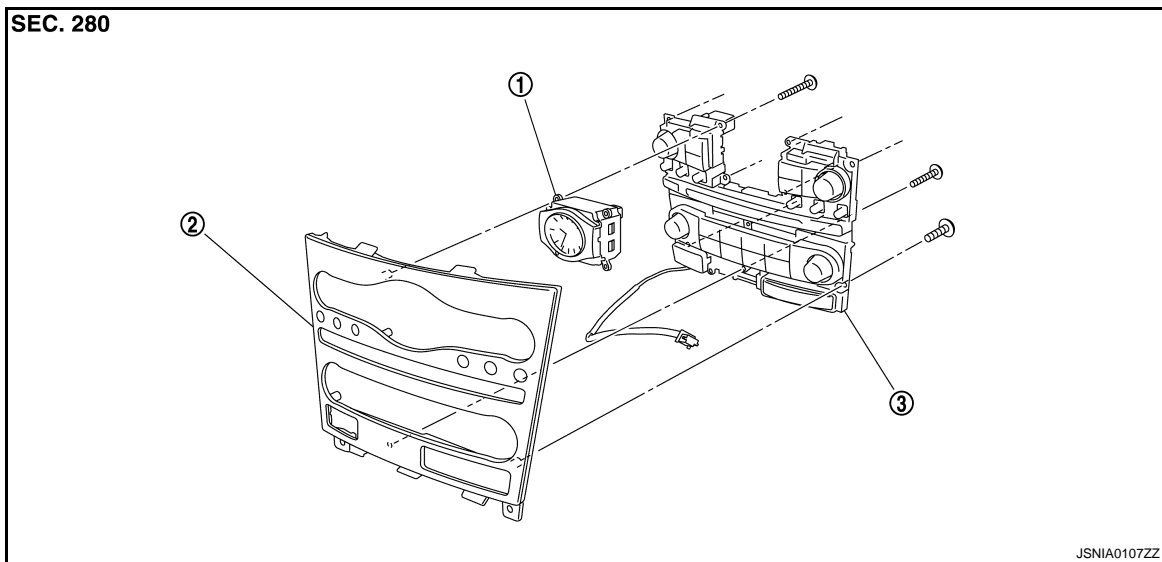
Exploded View

INFOID:000000005631094

REMOVAL

Refer to [IP-12. "A/T MODELS : Exploded View"](#) (A/T models) or [IP-22. "M/T MODELS : Exploded View"](#) (M/T models).

DISASSEMBLY



1. Clock

2. Cluster lid C

3. Preset switch

Removal and Installation

INFOID:000000005631095

REMOVAL

Refer to the following.

- [AV-118. "Exploded View"](#) (BASE AUDIO WITHOUT NAVIGATION)
- [AV-262. "Exploded View"](#) (BOSE AUDIO WITHOUT NAVIGATION)
- [AV-422. "Exploded View"](#) (BOSE AUDIO WITH NAVIGATION)

INSTALLATION

Installation is basically the reverse order of removal.

NOTE:

When installing preset switch, do not allow the print wire that connects preset switch and multifunction switch to get caught in between AV control unit and preset switch.

UNIFIED METER AND A/C AMP.

< REMOVAL AND INSTALLATION >

[AUTOMATIC AIR CONDITIONER]

UNIFIED METER AND A/C AMP.

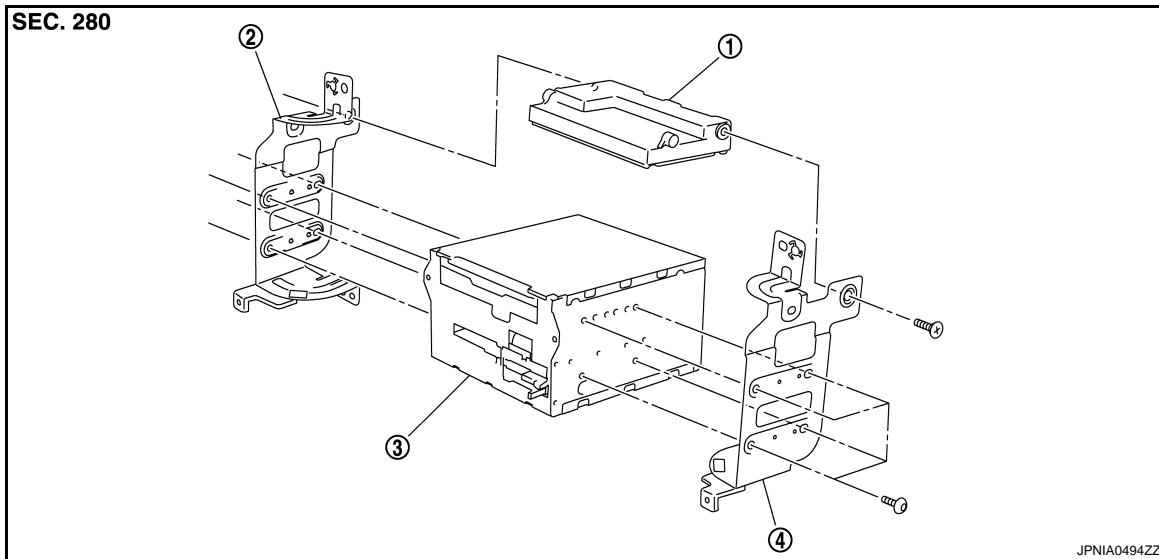
Exploded View

INFOID:000000005631096

REMOVAL

Refer to [IP-12. "A/T MODELS : Exploded View"](#) (A/T models) or [IP-22. "M/T MODELS : Exploded View"](#) (M/T models).

DISASSEMBLY



1. Unified meter and A/C amp.
2. Bracket LH
3. AV control unit
4. Bracket RH

Removal and Installation

INFOID:000000005631097

REMOVAL

1. Remove AV control unit. Refer to the following.
 - [AV-110, "Exploded View"](#) (BASE AUDIO WITHOUT NAVIGATION)
 - [AV-249, "Exploded View"](#) (BOSE AUDIO WITHOUT NAVIGATION)
 - [AV-410, "Exploded View"](#) (BOSE AUDIO WITH NAVIGATION)
2. Remove unified meter and A/C amp.

INSTALLATION

Installation is basically the reverse order of removal.

CAUTION:

Since unified meter and A/C amp. connector and AV control unit connector have the same form, be careful not to insert them wrongly.

AMBIENT SENSOR

< REMOVAL AND INSTALLATION >

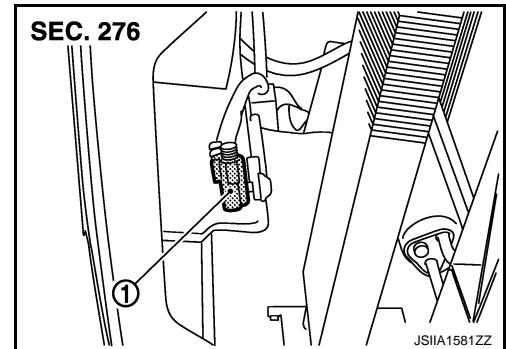
[AUTOMATIC AIR CONDITIONER]

AMBIENT SENSOR

Exploded View

INFOID:000000005631098

1. Ambient sensor



Removal and Installation

INFOID:000000005631099

REMOVAL

1. Remove front grille. Refer to [EXT-19, "Exploded View"](#).
2. Disconnect ambient sensor connector, and then remove ambient sensor.

INSTALLATION

Installation is basically the reverse order of removal.

IN-VEHICLE SENSOR

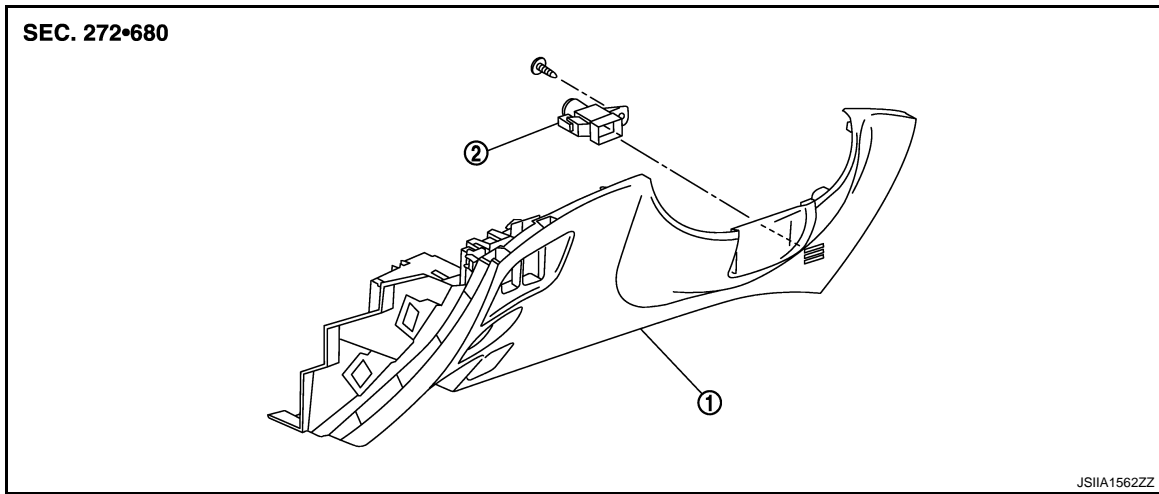
< REMOVAL AND INSTALLATION >

[AUTOMATIC AIR CONDITIONER]

IN-VEHICLE SENSOR

Exploded View

INFOID:000000005631100



1. Instrument driver lower panel
2. In-vehicle sensor

Removal and Installation

INFOID:000000005631101

REMOVAL

1. Remove instrument driver lower panel. Refer to [IP-12, "A/T MODELS : Exploded View"](#) (A/T models) or [IP-22, "M/T MODELS : Exploded View"](#) (M/T models).
2. Remove mounting screw, and then remove in-vehicle sensor.

INSTALLATION

Installation is basically the reverse order of removal.

A
B
C
D
E
F
G
H
J
K
L
M
N
O
P

HAC

SUNLOAD SENSOR

< REMOVAL AND INSTALLATION >

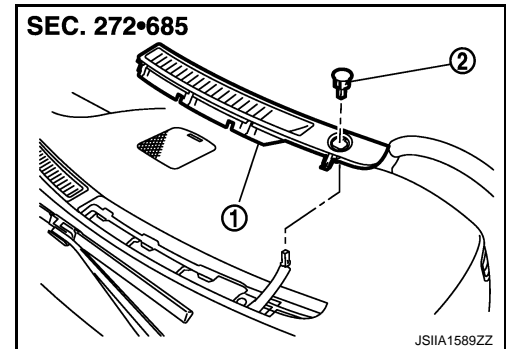
[AUTOMATIC AIR CONDITIONER]

SUNLOAD SENSOR

Exploded View

INFOID:000000005631102

1. Front defroster grille LH
2. Sunload sensor



Removal and Installation

INFOID:000000005631103

REMOVAL

1. Remove front defroster grille (left). Refer to [VTL-10, "Exploded View"](#).
2. Disconnect sunload sensor connector, and then remove sunload sensor.

INSTALLATION

Installation is basically the reverse order of removal.

INTAKE SENSOR

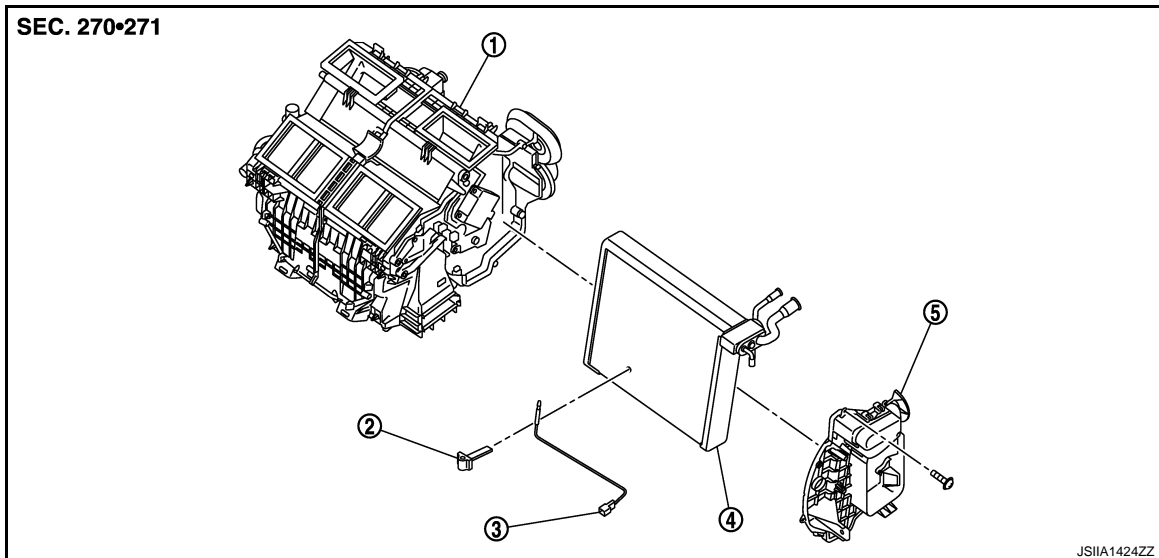
< REMOVAL AND INSTALLATION >

[AUTOMATIC AIR CONDITIONER]

INTAKE SENSOR

Exploded View

INFOID:000000005631104



- | | | |
|-----------------------------------|--------------------------|------------------|
| 1. Heater & cooling unit assembly | 2. Intake sensor bracket | 3. Intake sensor |
| 4. Evaporator assembly | 5. Evaporator cover | |

Removal and Installation

INFOID:000000005631105

REMOVAL

1. Remove low-pressure pipe 1 and high-pressure pipe 2. Refer to [HA-40, "Exploded View"](#).
2. Slide evaporator to passenger side, and then remove intake sensor.
3. Disconnect intake sensor connector.

INSTALLATION

Installation is basically the reverse order of removal.

CAUTION:

- Replace O-rings with new ones. Then apply compressor oil to them when installing.
- Mark the mounting position of intake sensor bracket prior to removal so that the reinstalled sensor can be located in the same position.
- Female-side piping connection is thin and easy to deform. Slowly insert the male-side piping straight in axial direction.
- Insert piping securely until a click is heard.
- After piping connection is completed, pull male-side piping by hand to make sure that connection does not come loose.
- Check for leakages when recharging refrigerant.

A
B
C
D
E
F
G
H
HAC
J
K
L
M
N
O
P

GAS SENSOR

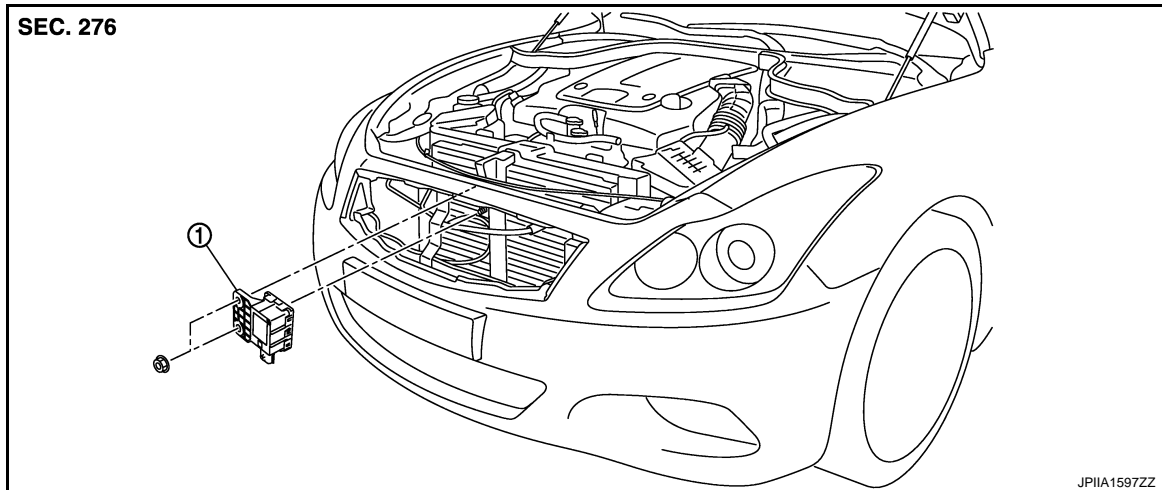
< REMOVAL AND INSTALLATION >

[AUTOMATIC AIR CONDITIONER]

GAS SENSOR

Exploded View

INFOID:000000005631106



1. Gas sensor

Removal and Installation

INFOID:000000005631107

REMOVAL

1. Remove radiator core support ornament. Refer to [DLK-280, "Exploded View"](#).
2. Remove mounting nuts, and then remove gas sensor.
3. Disconnect gas sensor connector.

INSTALLATION

Installation is basically the reverse order of removal.

REFRIGERANT PRESSURE SENSOR

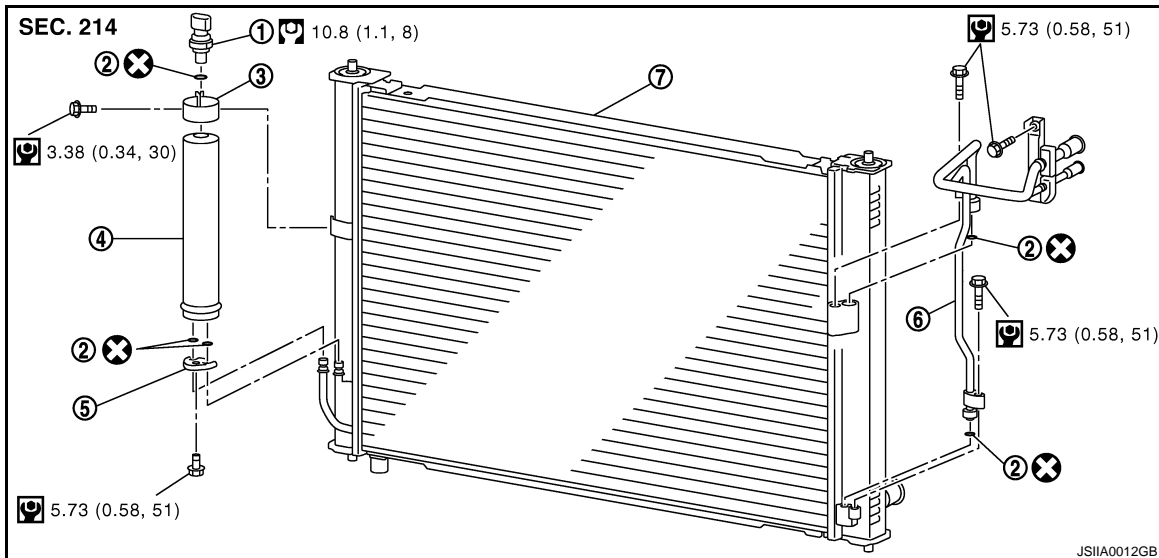
< REMOVAL AND INSTALLATION >

[AUTOMATIC AIR CONDITIONER]

REFRIGERANT PRESSURE SENSOR

Exploded View

INFOID:000000005631108



- | | | |
|----------------------------------|------------|----------------------------|
| 1. Refrigerant pressure sensor | 2. O-ring | 3. Liquid tank bracket |
| 4. Liquid tank | 5. Bracket | 6. Condenser pipe assembly |
| 7. Radiator & condenser assembly | | |

Refer to [GI-4, "Components"](#) for symbols in the figure.

Removal and Installation

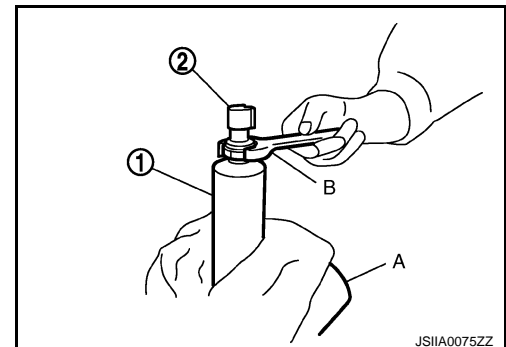
INFOID:000000005631109

REMOVAL

1. Remove liquid tank. Refer to [HA-44, "Exploded View"](#).
2. Fix the liquid tank (1) with a vise (A). Remove the refrigerant pressure sensor (2) with a wrench (B).

CAUTION:

Be careful not to damage liquid tank.



INSTALLATION

Installation is basically the reverse order of removal.

CAUTION:

- Apply compressor oil to O-ring of refrigerant pressure sensor when installing.
- Check for leakages when recharging refrigerant.

A
B
C
D
E
F
G
H
J
K
L
M
N
O
P

HAC

DOOR MOTOR

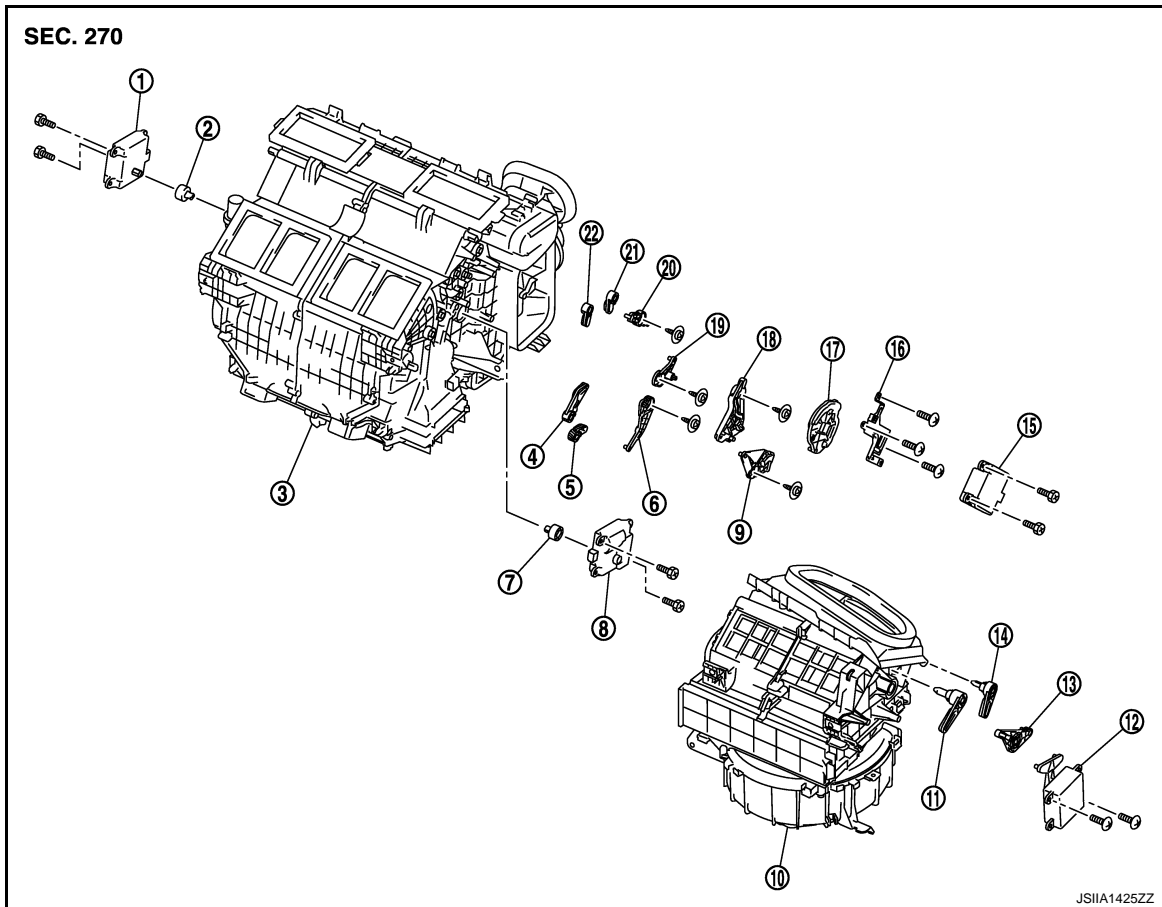
< REMOVAL AND INSTALLATION >

[AUTOMATIC AIR CONDITIONER]

DOOR MOTOR

Exploded View

INFOID:000000005631110



- | | | |
|-------------------------------------|--|-----------------------------------|
| 1. Air mix door motor (driver side) | 2. Air mix door motor adapter | 3. Heater & cooling unit assembly |
| 4. Ventilator door lever | 5. Foot door lever | 6. Foot door link |
| 7. Air mix door motor adapter | 8. Air mix door motor (passenger side) | 9. Ventilator door link |
| 10. Blower unit | 11. Intake door lever 2 | 12. Intake door motor |
| 13. Intake door link | 14. Intake door lever 1 | 15. Mode door motor |
| 16. Mode door motor bracket | 17. Main link | 18. Main link sub |
| 19. Max.cool door link | 20. Defroster door link | 21. Max.cool door lever |
| 22. Defroster door lever | | |

MODE DOOR MOTOR

MODE DOOR MOTOR : Removal and Installation

INFOID:000000005631111

REMOVAL

1. Remove blower unit. Refer to [VTL-16. "Exploded View"](#).
2. Remove mounting screws, and then remove mode door motor.
3. Disconnect mode door motor connector.

INSTALLATION

installation is basically the reverse order of removal.

AIR MIX DOOR MOTOR

DOOR MOTOR

< REMOVAL AND INSTALLATION >

[AUTOMATIC AIR CONDITIONER]

AIR MIX DOOR MOTOR : Removal and Installation

INFOID:000000005631112

REMOVAL

Driver Side

1. Set the temperature (driver side) at 18°C (60°F). Then disconnect the battery cable from the negative terminal.
CAUTION:
The angle may be out, when installing the air mix door motor to the air mix door, unless the above procedure is performed.
2. Remove instrument driver lower panel. Refer to [IP-12. "A/T MODELS : Exploded View"](#) (A/T models) [IP-22. "M/T MODELS : Exploded View"](#) (M/Tmodels).
3. Remove accelerator pedal bracket and lever assembly. Refer to [ACC-3. "Exploded View"](#).
4. Remove mounting screws, and then remove air mix door motor.
5. Disconnect air mix door motor connector.

Passenger Side

1. Set the temperature (passenger side) at 18°C (60°F). Then disconnect the battery cable from the negative terminal.
CAUTION:
The angle may be out, when installing the air mix door motor to the air mix door, unless the above procedure is performed.
2. Remove blower unit. Refer to [VTL-16. "Exploded View"](#).
3. Remove mounting screws, and then remove air mix door motor.
4. Disconnect air mix door motor connector.

INSTALLATION

Installation is basically the reverse order of removal.

INTAKE DOOR MOTOR

INTAKE DOOR MOTOR : Removal and Installation

INFOID:000000005631113

REMOVAL

1. Remove ECM and power steering control unit with bracket attached. Refer to [VTL-17. "BLOWER UNIT : Removal and Installation"](#).
2. Remove mounting screws, and then remove intake door motor.
3. Disconnect intake door motor connector.

INSTALLATION

Installation is basically the reverse order of removal.

A
B
C
D
E
F
G
H
J
K
L
M
N
O
P

HAC

IONIZER

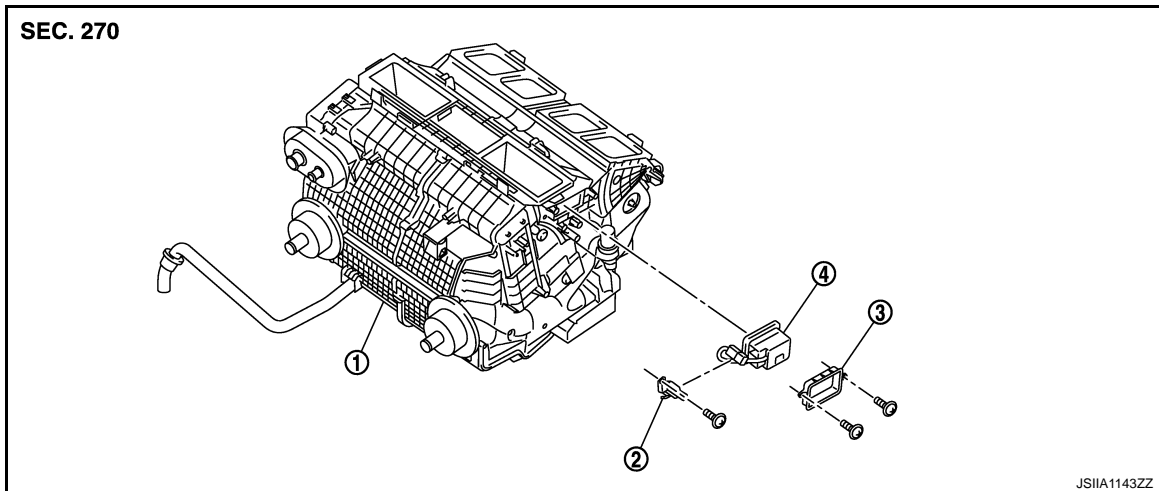
< REMOVAL AND INSTALLATION >

[AUTOMATIC AIR CONDITIONER]

IONIZER

Exploded View

INFOID:000000005631114



1. Heater & cooling unit assembly
2. Ionizer harness bracket
3. Ionizer bracket
4. Ionizer

Removal and Installation

INFOID:000000005631115

REMOVAL

1. Remove instrument panel assembly. Refer to [IP-12, "A/T MODELS : Exploded View"](#) (A/T models) or [IP-22, "M/T MODELS : Exploded View"](#) (M/T models).
2. Remove mounting screw, and then remove ionizer harness bracket from heater & cooling unit assembly.
3. Remove mounting screws, and then remove ionizer.

CAUTION:

Never touch the surface (ceramic part) of the ionizer. It is the discharge electrode.

INSTALLATION

installation is basically the reverse order of removal.

CAUTION:

If there is dirt, use a clean cloth and clean the discharge electrode (ceramic part) of the ionizer.