

SECTION **FSU**
FRONT SUSPENSION

A
B
C
D

FSU

CONTENTS

SYMPTOM DIAGNOSIS	2	Exploded View	9	F
NOISE, VIBRATION AND HARSHNESS (NVH) TROUBLESHOOTING	2	Removal and Installation	9	
NVH Troubleshooting Chart	2	Disassembly and Assembly	9	
PRECAUTION	3	Inspection	12	G
PRECAUTIONS	3	Disposal	12	
Precaution for Supplemental Restraint System (SRS) "AIR BAG" and "SEAT BELT PRE-TENSIONER"	3	TRANSVERSE LINK	13	H
Service Procedure Precautions for Models with a Pop-up Roll Bar	3	Exploded View	13	
Precautions Necessary for Steering Wheel Rotation After Battery Disconnection	3	Removal and Installation	13	
Precaution for Procedure without Cowl Top Cover.....	4	Inspection	13	
Precautions for Suspension	4	UPPER LINK	15	I
PREPARATION	5	Exploded View	15	
PREPARATION	5	Removal and Installation	15	J
Special Service Tool	5	Inspection	15	
Commercial Service Tool	5	FRONT STABILIZER	17	K
PERIODIC MAINTENANCE	6	Exploded View	17	
FRONT SUSPENSION ASSEMBLY	6	Removal and Installation	17	
Inspection	6	Inspection	17	
WHEEL ALIGNMENT	7	UNIT REMOVAL AND INSTALLATION	18	L
Inspection	7	FRONT SUSPENSION MEMBER	18	M
Adjustment	7	Exploded View	18	
REMOVAL AND INSTALLATION	9	Removal and Installation	18	
FRONT COIL SPRING AND SHOCK ABSORBER	9	Inspection	18	N
		SERVICE DATA AND SPECIFICATIONS (SDS)	19	O
		SERVICE DATA AND SPECIFICATIONS (SDS)	19	P
		Wheel Alignment	19	
		Ball Joint	19	
		Wheelarch Height	19	

NOISE, VIBRATION AND HARSHNESS (NVH) TROUBLESHOOTING

< SYMPTOM DIAGNOSIS >

SYMPTOM DIAGNOSIS

NOISE, VIBRATION AND HARSHNESS (NVH) TROUBLESHOOTING

NVH Troubleshooting Chart

INFOID:000000006473313

Use chart below to find the cause of the symptom. If necessary, repair or replace these parts.

Symptom		Possible cause and SUSPECTED PARTS	Reference														
			FSU-9, FSU-13, FSU-15, FSU-17, FSU-18	FSU-12	—	—	—	FSU-9, FSU-13, FSU-15, FSU-17, FSU-18	FSU-Z	FSU-17	NVH in DLN section	NVH in FAX and FSU section	NVH in WT section	NVH in BR section	NVH in ST section		
Symptom	FRONT SUSPENSION	Noise	x	x	x	x	x	x	x			x	x	x	x	x	
		Shake	x	x	x	x			x				x	x	x	x	x
		Vibration	x	x	x	x	x					x	x				x
		Shimmy	x	x	x	x				x				x	x	x	x
		Judder	x	x	x									x	x	x	x
		Poor quality ride or handling	x	x	x	x	x			x	x			x	x		

x: Applicable

PRECAUTIONS

< PRECAUTION >

PRECAUTION

PRECAUTIONS

Precaution for Supplemental Restraint System (SRS) "AIR BAG" and "SEAT BELT PRE-TENSIONER"

INFOID:000000006473314

The Supplemental Restraint System such as "AIR BAG" and "SEAT BELT PRE-TENSIONER", used along with a front seat belt, helps to reduce the risk or severity of injury to the driver and front passenger for certain types of collision. This system includes seat belt switch inputs and dual stage front air bag modules. The SRS system uses the seat belt switches to determine the front air bag deployment, and may only deploy one front air bag, depending on the severity of a collision and whether the front occupants are belted or unbelted. Information necessary to service the system safely is included in the "SRS AIR BAG" and "SEAT BELT" of this Service Manual.

WARNING:

Always observe the following items for preventing accidental activation.

- To avoid rendering the SRS inoperative, which could increase the risk of personal injury or death in the event of a collision that would result in air bag inflation, all maintenance must be performed by an authorized NISSAN/INFINITI dealer.
- Improper maintenance, including incorrect removal and installation of the SRS, can lead to personal injury caused by unintentional activation of the system. For removal of Spiral Cable and Air Bag Module, see "SRS AIR BAG".
- Never use electrical test equipment on any circuit related to the SRS unless instructed to in this Service Manual. SRS wiring harnesses can be identified by yellow and/or orange harnesses or harness connectors.

PRECAUTIONS WHEN USING POWER TOOLS (AIR OR ELECTRIC) AND HAMMERS

WARNING:

Always observe the following items for preventing accidental activation.

- When working near the Air Bag Diagnosis Sensor Unit or other Air Bag System sensors with the ignition ON or engine running, never use air or electric power tools or strike near the sensor(s) with a hammer. Heavy vibration could activate the sensor(s) and deploy the air bag(s), possibly causing serious injury.
- When using air or electric power tools or hammers, always switch the ignition OFF, disconnect the battery, and wait at least 3 minutes before performing any service.

Service Procedure Precautions for Models with a Pop-up Roll Bar

INFOID:000000006473315

WARNING:

Always observe the following items for preventing accidental activation.

- Risk of passenger injury or death may increase if the pop-up roll bar does not deploy during a roll over collision. In order to reduce the chance of an incident where the pop-up roll bar is inoperative, all maintenance must be performed by a NISSAN or INFINITI dealer.
- Before removing and installing the pop-up roll bar component parts and harness, always turn the ignition switch OFF, disconnect the battery negative terminal, and wait for 3 minutes or more. (The purpose of this operation is to discharge electricity that is accumulated in the auxiliary power supply circuit in the air bag diagnosis sensor unit.)
- When repairing, removing, and installing a pop-up roll bar, always refer to SRS AIR BAG and SRS AIR BAG CONTROL warnings in the Service Manual.

Precautions Necessary for Steering Wheel Rotation After Battery Disconnection

INFOID:000000006473316

CAUTION:

Comply with the following cautions to prevent any error and malfunction.

- Before removing and installing any control units, first turn the ignition switch to the LOCK position, then disconnect both battery cables.
- After finishing work, confirm that all control unit connectors are connected properly, then re-connect both battery cables.
- Always use CONSULT to perform self-diagnosis as a part of each function inspection after finishing work. If a DTC is detected, perform trouble diagnosis according to self-diagnosis results.

A
B
C
D
FSU
F
G
H
I
J
K
L
M
N
O
P

PRECAUTIONS

< PRECAUTION >

For vehicle with steering lock unit, if the battery is disconnected or discharged, the steering wheel will lock and cannot be turned.

If turning the steering wheel is required with the battery disconnected or discharged, follow the operation procedure below before starting the repair operation.

OPERATION PROCEDURE

1. Connect both battery cables.

NOTE:

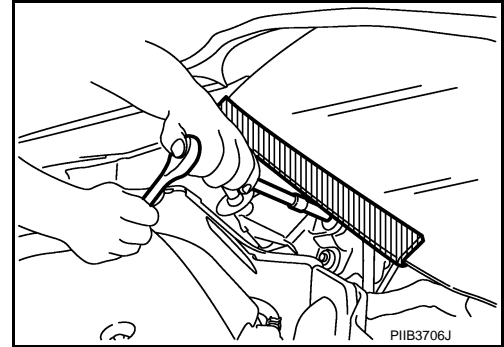
Supply power using jumper cables if battery is discharged.

2. Turn the ignition switch to ACC position.
(At this time, the steering lock will be released.)
3. Disconnect both battery cables. The steering lock will remain released with both battery cables disconnected and the steering wheel can be turned.
4. Perform the necessary repair operation.
5. When the repair work is completed, re-connect both battery cables. With the brake pedal released, turn the ignition switch from ACC position to ON position, then to LOCK position. (The steering wheel will lock when the ignition switch is turned to LOCK position.)
6. Perform self-diagnosis check of all control units using CONSULT.

Precaution for Procedure without Cowl Top Cover

INFOID:000000006473317

When performing the procedure after removing cowl top cover, cover the lower end of windshield with urethane, etc to prevent damage to windshield.



Precautions for Suspension

INFOID:000000006473318

- When installing rubber bushings, the final tightening must be carried out under unladen conditions with tires on ground. Spilled oil might shorten the life of rubber bushings. Be sure to wipe off any spilled oil.
- Unladen conditions mean that fuel, engine coolant and lubricant are full. Spare tire, jack, hand tools and mats are in designated positions.
- After servicing suspension parts, be sure to check wheel alignment.
- Self-lock nuts are not reusable. Always use new ones when installing. Since new self-lock nuts are pre-oiled, tighten as they are.

PREPARATION

< PREPARATION >

PREPARATION

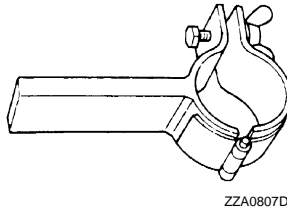
PREPARATION

Special Service Tool

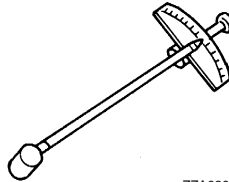
INFOID:000000006473319

The actual shapes of Kent-Moore tools may differ from those of special service tools illustrated here.

Tool number (Kent-Moore No.) Tool name	Description
ST35652000 (-) Shock absorber attachment	Disassembling and assembling shock absorber
ST3127S000 (J-25765-A) Preload gauge	Measuring rotating torque of ball joint



ZZA0807D

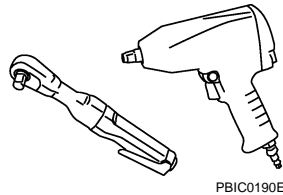


ZZA0806D

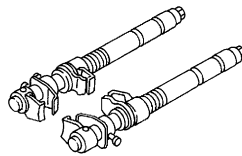
Commercial Service Tool

INFOID:000000006473320

Tool name	Description
Power tool	Loosening bolts and nuts
Spring compressor	Removing and installing coil spring



PBIC0190E



S-NT717

A
B
C
D
FSU
F
G
H
I
J
K
L
M
N
O
P

FRONT SUSPENSION ASSEMBLY

< PERIODIC MAINTENANCE >

PERIODIC MAINTENANCE

FRONT SUSPENSION ASSEMBLY

Inspection

INFOID:000000006473321

COMPONENT PART

Check the mounting conditions (looseness, backlash) of each component and component conditions (wear, damage) are normal.

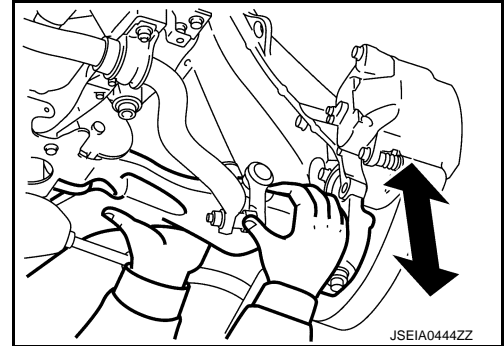
Ball Joint Axial End Play

1. Set front wheels in a straight-ahead position.
2. Move axle side of transverse link and upper link in the axial direction by hand. Check there is no end play.

Axial end play : Refer to [FSU-19. "Ball Joint"](#).

CAUTION:

- Never depress brake pedal when measuring.
- Never perform with tires on level ground.
- Be careful not to damage ball joint boot. Never damage the installation position by applying excessive force.



JSEIA0444ZZ

Shock absorber

Check for oil leakage, damage. Replace it if necessary.

WHEEL ALIGNMENT

< PERIODIC MAINTENANCE >

WHEEL ALIGNMENT

Inspection

INFOID:000000006473322

DESCRIPTION

CAUTION:

- **Camber, caster, kingpin inclination angles cannot be adjusted.**
- **If camber, caster, or kingpin inclination angle is outside the standard, check front suspension parts for wear and damage. Replace suspect parts if a malfunction is detected.**
- **Kingpin inclination angle is reference value, no inspection is required.**
- **Measure wheel alignment under unladen conditions.**

NOTE:

“Unladen conditions” means that fuel, engine coolant, and lubricant are full. Spare tire, jack, hand tools and mats are in designated positions.

PRELIMINARY CHECK

Check the following:

- Tires for improper air pressure and wear. Refer to [WT-53, "Tire Air Pressure"](#).
- Road wheels for runout.
- Wheel bearing axial end play. Refer to [FAX-6, "Inspection"](#).
- Transverse link or upper link ball joint axial end play. Refer to [FSU-6, "Inspection"](#).
- Shock absorber operation.
- Each mounting part of axle and suspension for looseness and deformation.
- Each of suspension member, shock absorber, upper link and transverse link for cracks, deformation and other damage.
- Vehicle height (posture).

GENERAL INFORMATION AND RECOMMENDATIONS

- A four-wheel thrust alignment should be performed.
- This type of alignment is recommended for any NISSAN/INFINITI vehicle.
- The four-wheel “thrust” process helps ensure that the vehicle is properly aligned and the steering wheel is centered.
- The alignment rack itself should be capable of accepting any NISSAN/INFINITI vehicle.
- The rack should be checked to ensure that it is level.
- Check the machine is properly calibrated.
- Your alignment equipment should be regularly calibrated in order to give correct information.
- Check with the manufacturer of your specific equipment for their recommended Service/Calibration Schedule.

ALIGNMENT PROCESS

IMPORTANT:

Use only the alignment specifications listed in this Service Manual.

- When displaying the alignment settings, many alignment machines use “indicators”: (Green/red, plus or minus, Go/No Go). **Never use these indicators.**
- The alignment specifications programmed into your machine that operate these indicators may not be correct.
- This may result in an ERROR.
- Most camera-type alignment machines are equipped with both “Rolling Compensation” method and optional “Jacking Compensation” method to “compensate” the alignment targets or head units. “Rolling Compensation” is the preferred method.
- If using the “Rolling Compensation” method, after installing the alignment targets or head units, push or pull on the rear wheel to move the vehicle. **Do not push or pull on the vehicle body.**
- If using the “Jacking Compensation” method, after installing the alignment targets or head units, raise the vehicle and rotate the wheels 1/2 turn both ways.

NOTE:

- Do not use the “Rolling Compensation” method if you are using sensor-type alignment equipment.
- Follow all instructions for the alignment machine you're using for more information.

Adjustment

INFOID:000000008145957

TOE-IN

WHEEL ALIGNMENT

< PERIODIC MAINTENANCE >

- Loosen the steering outer socket, and then adjust the length using steering inner socket.

Standard

Toe-in : Refer to [FSU-19, "Wheel Alignment"](#).

CAUTION:

- Always evenly adjust both toe-in alternately and adjust the difference between the left and right to the standard.
- Always fix the steering inner socket when tightening the steering outer socket.
- After toe-in adjustment, adjust neutral position of steering angle sensor. Refer to [BRC-9, "ADJUSTMENT OF STEERING ANGLE SENSOR NEUTRAL POSITION : Special Repair Requirement"](#).

FRONT COIL SPRING AND SHOCK ABSORBER

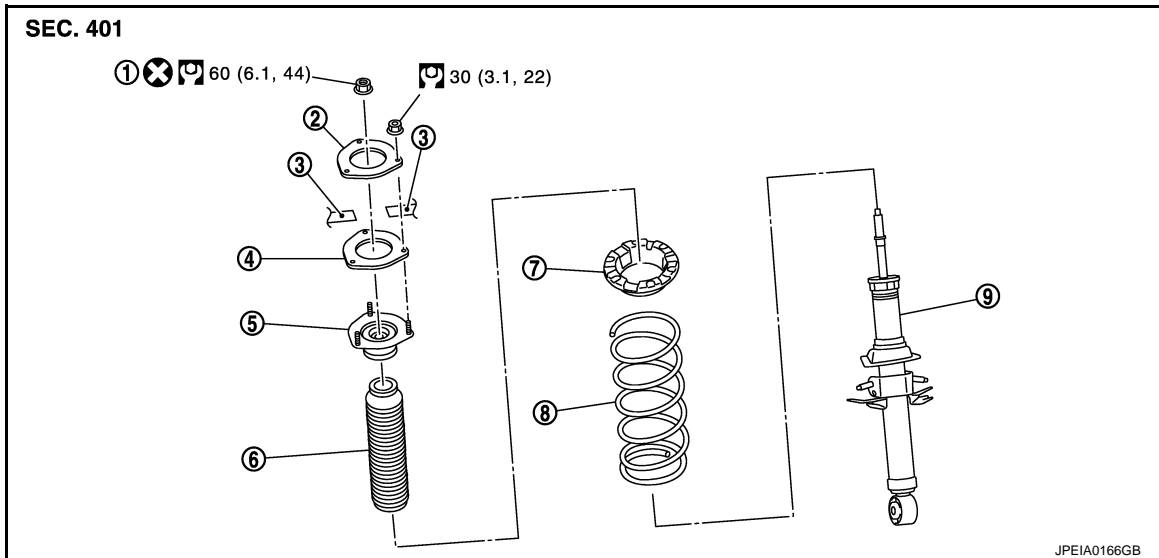
< REMOVAL AND INSTALLATION >

REMOVAL AND INSTALLATION

FRONT COIL SPRING AND SHOCK ABSORBER

Exploded View

INFOID:000000006473323



- | | | |
|------------------------|------------------------------------|-------------------|
| 1. Piston rod lock nut | 2. Gusset | 3. Vehicle body |
| 4. Mounting seal | 5. Shock absorber mounting bracket | 6. Bound bumper |
| 7. Rubber seat | 8. Coil spring | 9. Shock absorber |

Refer to [GI-4, "Components"](#) for symbols in the figure.

Removal and Installation

INFOID:000000006473324

REMOVAL

1. Remove tires with power tool. Refer to [WT-48, "Exploded View"](#).
2. Remove wheel sensor and harness connector from shock absorber. Refer to [BRC-115, "FRONT WHEEL SENSOR : Exploded View"](#).
3. Remove brake hose bracket. Refer to [BR-21, "FRONT : Exploded View"](#).
4. Remove stabilizer connecting rod. Refer to [FSU-17, "Exploded View"](#).
5. Separate upper link from steering knuckle. Refer to [FAX-7, "Exploded View"](#).
6. Remove shock absorber assembly and gusset.

NOTE:

If removing shock absorber is difficult, loosen upper link mounting bolts (vehicle side).

INSTALLATION

Note the following, and install in the reverse order of removal.

- Never tap on the ball joint cap of the stabilizer connecting rod with a hammer or a similar item when inserting the stabilizer connecting rod into the transverse link.
- Perform final tightening of bolts and nuts at the shock absorber lower side (rubber bushing), under unladen conditions with tires on level ground.

Disassembly and Assembly

INFOID:000000006473325

DISASSEMBLY

CAUTION:

Never damage shock absorber piston rod when removing components from shock absorber.

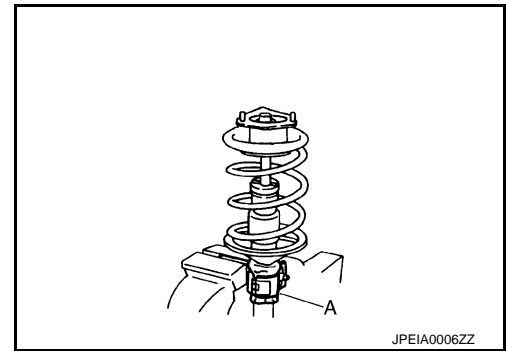
FRONT COIL SPRING AND SHOCK ABSORBER

< REMOVAL AND INSTALLATION >

1. Install shock absorber attachment (A) [SST: ST35652000 (-)] to shock absorber and secure it in a vise.

CAUTION:

When installing the shock absorber attachment to shock absorber, wrap a shop cloth around shock absorber to protect it from damage.



2. Using a spring compressor (A) (commercial service tool), compress coil spring between rubber seat and shock absorber until coil spring with a spring compressor is free.

CAUTION:

Be sure a spring compressor is securely attached coil spring. Compress coil spring.

3. Remove piston rod lock nut while securing the piston rod tip so that piston rod does not turn.

CAUTION:

Check coil spring with a spring compressor between rubber seat and shock absorber is free.

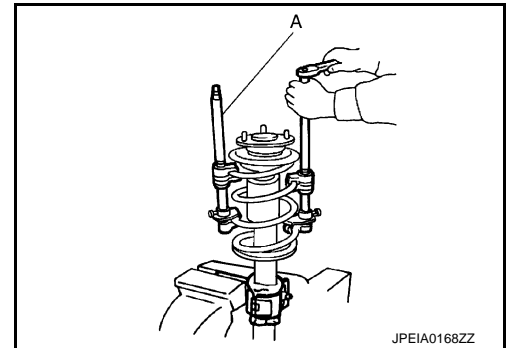
4. Remove mounting seal, shock absorber mounting bracket, rubber seat, bound bumper from shock absorber.

5. After remove coil spring with a spring compressor, and then gradually release a spring compressor.

CAUTION:

Loosen while making sure coil spring attachment position does not move.

6. Remove the shock absorber attachment from shock absorber.



ASSEMBLY

1. Install shock absorber attachment [SST: ST35652000 (-)] to shock absorber and secure it in a vise.

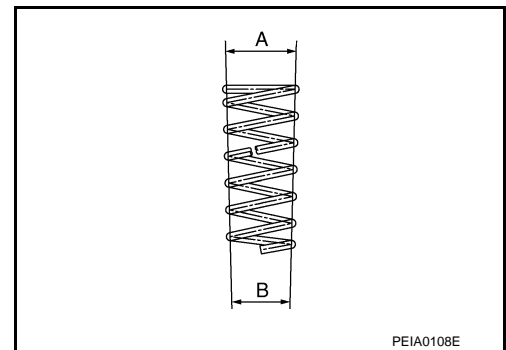
CAUTION:

When installing the shock absorber attachment to shock absorber, wrap a shop cloth around shock absorber to protect it from damage.

2. Compress coil spring using a spring compressor (commercial service tool), and install it onto shock absorber.

CAUTION:

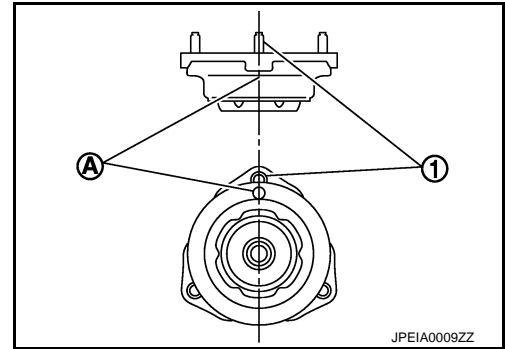
- Install with the large-diameter side (A) facing up and the small-diameter side (B) facing down.
- Be sure a spring compressor or is securely attached to coil spring. Compress coil spring.



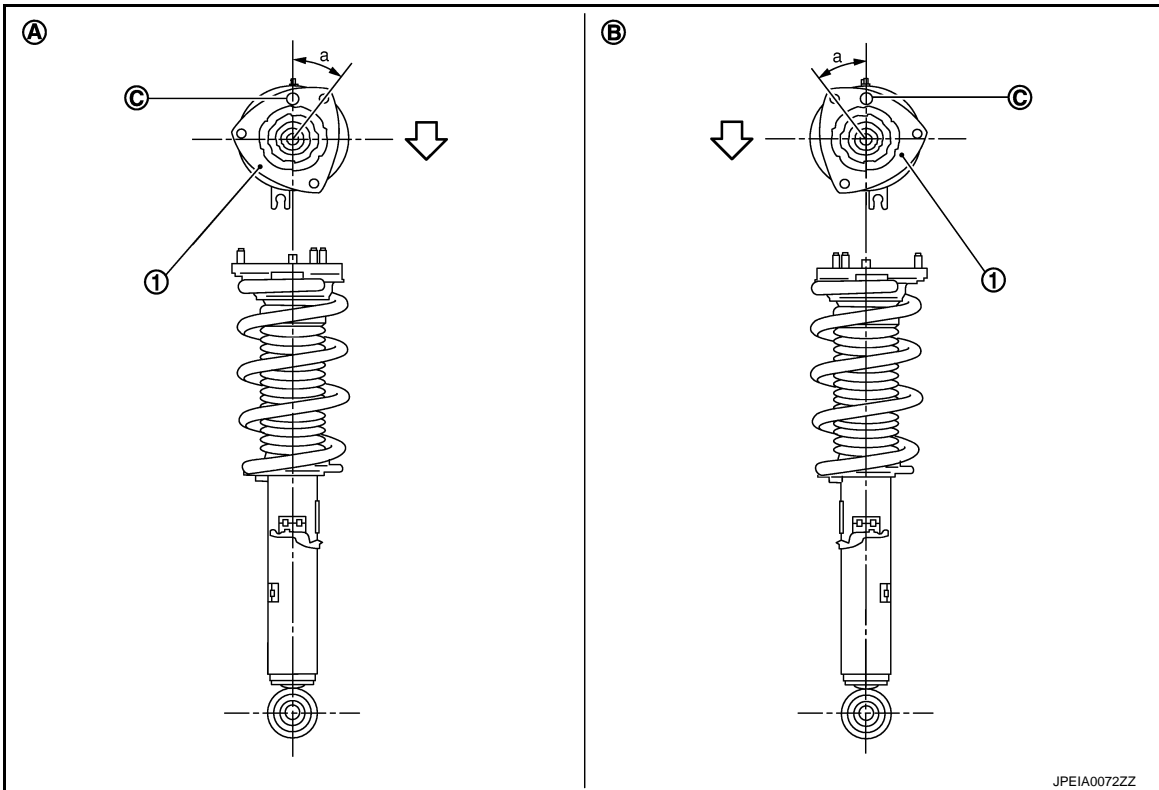
FRONT COIL SPRING AND SHOCK ABSORBER

< REMOVAL AND INSTALLATION >

3. Install the shock absorber mounting bracket and rubber seat.
CAUTION:
Align the paint mark (A) to the stud bolt (1) position when assembling.
4. Apply soapy water to bound bumper.
CAUTION:
Never use machine oil.



5. Insert bound bumper into shock absorber mounting bracket, and then install it to shock absorber together with rubber seat.



1. Shock absorber mounting bracket

A. Right side

B. Left side

C. Coil spring lower end position

⇐ : Vehicle front

- Install the shock absorber mounting bracket as shown in the figure.

Angle (a) : 35.4°

- Check that the lower end of the coil spring (C) is positioned at the spring lower seat of the shock absorber.
6. Secure piston rod tip so that piston rod does not turn, then tighten piston rod lock nut with specified torque.
CAUTION:
Never reuse piston rod lock nut.
 7. Gradually release a spring compressor, and remove coil spring.
CAUTION:
Loosen while making sure coil spring attachment position does not move.
 8. Remove the shock absorber attachment from shock absorber.

FRONT COIL SPRING AND SHOCK ABSORBER

< REMOVAL AND INSTALLATION >

9. Install the mounting seal to shock absorber mounting bracket.

Inspection

INFOID:000000006473326

INSPECTION AFTER DISASSEMBLY

Shock absorber

Check the following items, and replace the part if necessary.

- Shock absorber for deformation, cracks or damage.
- Piston rod for damage, uneven wear or distortion.
- Oil leakage.

Shock absorber Mounting Bracket and Rubber Parts Inspection

Check shock absorber mounting bracket for cracks and rubber parts for wear. Replace it if necessary.

Coil Spring

Check coil spring for cracks, wear or damage. Replace it if necessary.

INSPECTION AFTER INSTALLATION

1. Check wheel sensor harness for proper connection. Refer to [BRC-115, "FRONT WHEEL SENSOR : Exploded View"](#).
2. Check wheel alignment. Refer to [FSU-7, "Inspection"](#).
3. Adjust neutral position of steering angle sensor. Refer to [BRC-9, "ADJUSTMENT OF STEERING ANGLE SENSOR NEUTRAL POSITION : Special Repair Requirement"](#).

Disposal

INFOID:000000006473327

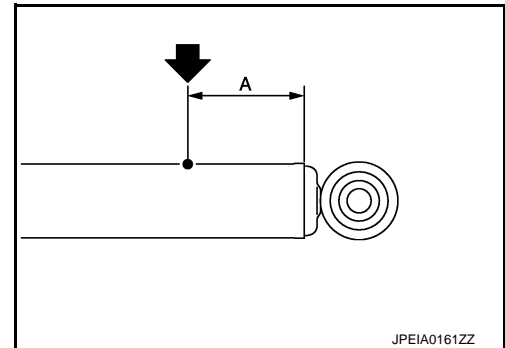
1. Set shock absorber horizontally with the piston rod fully extended.
2. Drill 2 – 3 mm (0.08 – 0.12 in) hole at the position (●) from top as shown in the figure to release gas gradually.

CAUTION:

- **Wear eye protection (safety glasses).**
- **Wear gloves.**
- **Be careful with metal chips or oil blown out by the compressed gas.**

NOTE:

- Drill vertically in this direction (←).
- Directly to the outer tube avoiding brackets.
- The gas is clear, colorless, odorless, and harmless.



A : 20 – 30 mm (0.79 – 1.18 in)

3. Position the drilled hole downward and drain oil by moving the piston rod several times.

CAUTION:

Dispose of drained oil according to the law and local regulations.

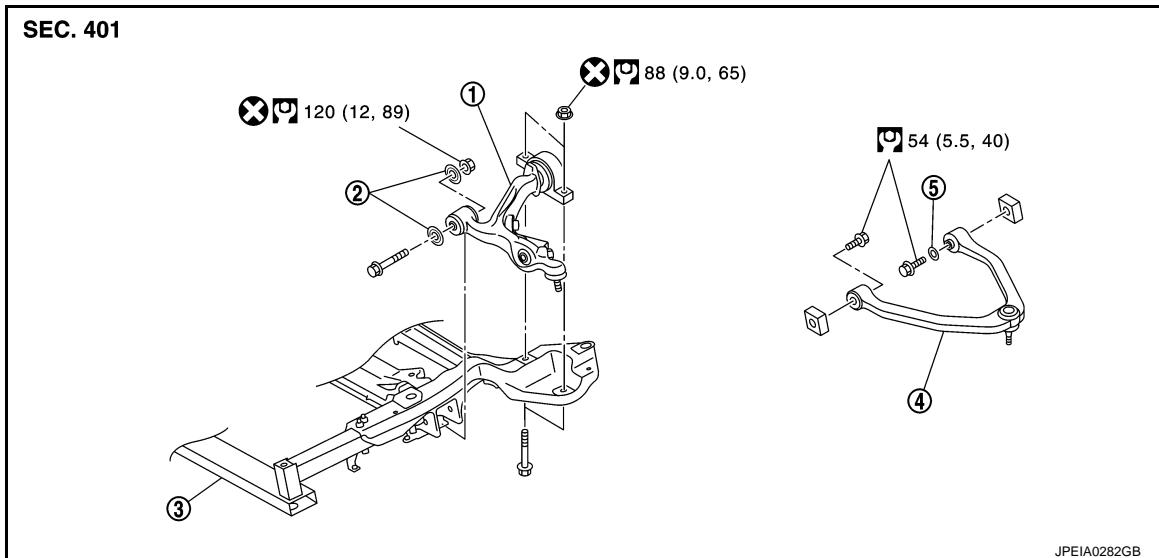
TRANSVERSE LINK

< REMOVAL AND INSTALLATION >

TRANSVERSE LINK

Exploded View

INFOID:000000006473328



1. Transverse link
2. Stopper bush
3. Front suspension member
4. Upper link
5. Stopper rubber

Refer to [GI-4, "Components"](#) for symbols in the figure.

Removal and Installation

INFOID:000000006473329

REMOVAL

1. Remove tires with power tool. Refer to [WT-48, "Exploded View"](#).
2. Remove engine lower cover with power tool. Refer to [EXT-31, "Exploded View"](#).
3. Remove stabilizer connecting rod. Refer to [FSU-17, "Exploded View"](#).
4. Remove steering outer socket from steering knuckle. Refer to [ST-24, "Exploded View"](#).
5. Remove transverse link from steering knuckle. Refer to [FAX-7, "Exploded View"](#).
6. Set suitable jack under transverse link.
7. Remove transverse link.

INSTALLATION

Note the following, and install in the reverse order of removal.

- Never tap on the ball joint cap of the stabilizer connecting rod with a hammer or a similar item when inserting the stabilizer connecting rod into the transverse link.
- Perform final tightening of bolts and nuts at the front suspension member installation and shock absorber lower side (rubber bushing), under unladen conditions with tires on level ground.

Inspection

INFOID:000000006473330

INSPECTION AFTER REMOVAL

Appearance

Check the following items, and replace the part if necessary.

- Transverse link and bushing for deformation, cracks or damage.
- Ball joint boot for cracks or other damage, and also for grease leakage.

Ball Joint Inspection

Manually move ball stud to confirm it moves smoothly with no binding.

Swing Torque Inspection

NOTE:

TRANSVERSE LINK

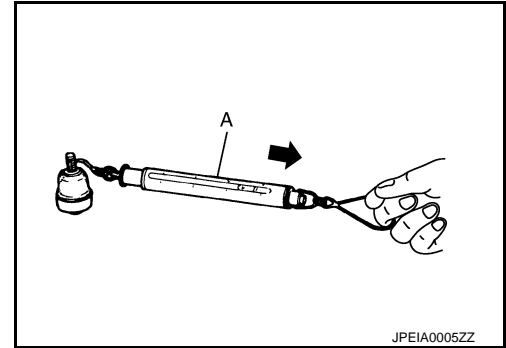
< REMOVAL AND INSTALLATION >

Before measurement, move ball stud at least ten times by hand to check for smooth movement.

1. Move the ball joint at least ten times by hand to check for smooth movement.
2. Hook a spring balance (A) at cotter pin mounting hole. Confirm spring balance measurement value is within specifications when ball stud begins moving.

Swing toque : Refer to [FSU-19, "Ball Joint"](#).

- If swing torque exceeds standard range, replace transverse link assembly.

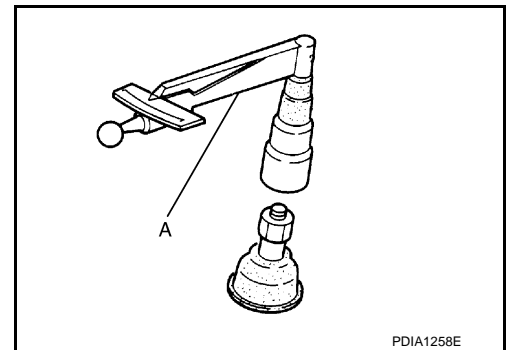


Rotating Torque Inspection

1. Move the ball joint at least ten times by hand to check for smooth movement.
2. Attach mounting nut to ball stud. Check that rotating torque is within specifications with a preload gauge (A) [SST: ST3127S000 (J-25765-A)].

Rotating torque : Refer to [FSU-19, "Ball Joint"](#).

- If rotating torque exceeds standard range, replace transverse link assembly.



Axial End Play Inspection

1. Move the ball joint at least ten times by hand to check for smooth movement.
2. Move tip of ball stud in axial direction to check for looseness.

Axial end play : Refer to [FSU-19, "Ball Joint"](#).

- If axial end play exceeds standard range, replace transverse link assembly.

INSPECTION AFTER INSTALLATION

1. Check wheel sensor harness for proper connection. Refer to [BRC-115, "FRONT WHEEL SENSOR : Exploded View"](#).
2. Check wheel alignment. Refer to [FSU-7, "Inspection"](#).
3. Adjust neutral position of steering angle sensor. Refer to [BRC-9, "ADJUSTMENT OF STEERING ANGLE SENSOR NEUTRAL POSITION : Special Repair Requirement"](#).

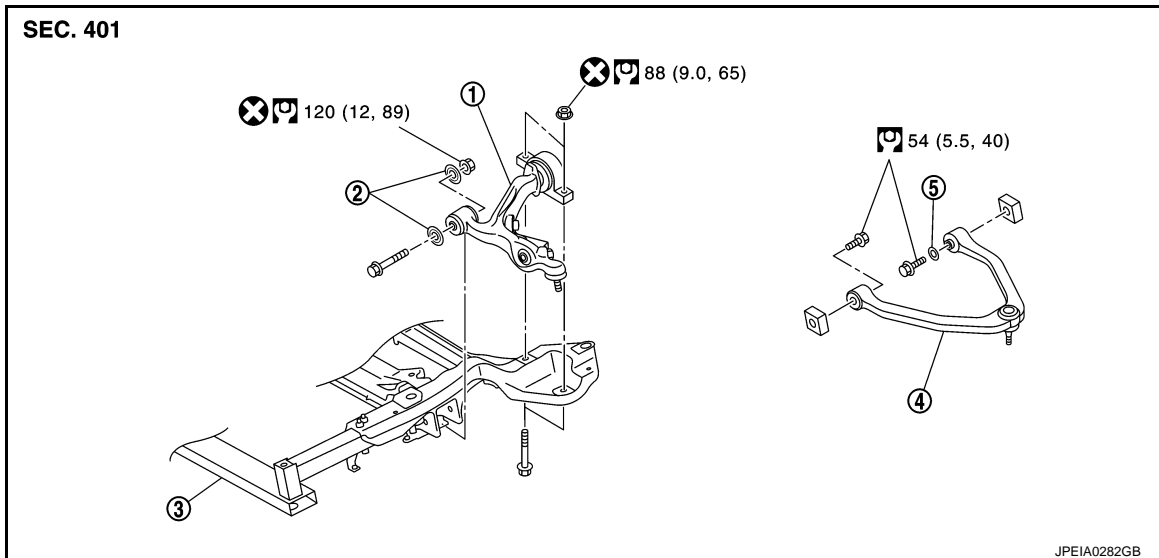
UPPER LINK

< REMOVAL AND INSTALLATION >

UPPER LINK

Exploded View

INFOID:000000006956210



- | | | |
|--------------------|-------------------|----------------------------|
| 1. Transverse link | 2. Stopper bush | 3. Front suspension member |
| 4. Upper link | 5. Stopper rubber | |

Refer to [GI-4, "Components"](#) for symbols in the figure.

Removal and Installation

INFOID:000000006473332

REMOVAL

1. Remove tires with power tool. Refer to [WT-48, "Exploded View"](#).
2. Remove shock absorber assembly. Refer to [FSU-9, "Exploded View"](#).
3. Remove upper link from steering knuckle. Refer to [FAX-7, "Exploded View"](#).
4. Remove upper link and stopper rubber.

INSTALLATION

Note the following, and install in the reverse order of removal.

- Perform final tightening of bolts and nuts at the vehicle installation position (rubber bushing), under unladen conditions with tires on level ground.

Inspection

INFOID:000000006473333

INSPECTION AFTER REMOVAL

Appearance

Check the following items, and replace the part if necessary.

- Upper link and bushing for deformation, cracks or damage.
- Ball joint boot for cracks or other damage, and also for grease leakage.

Ball Joint Inspection

Manually move ball stud to confirm it moves smoothly with no binding.

Swing Torque Inspection

NOTE:

Before measurement, move ball stud at least ten times by hand to check for smooth movement.

1. Move the ball joint at least ten times by hand to check for smooth movement.

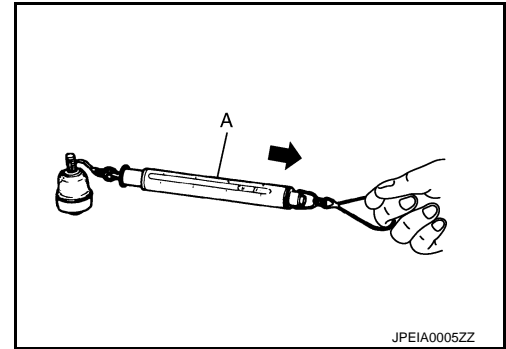
UPPER LINK

< REMOVAL AND INSTALLATION >

2. Hook a spring balance (A) at cutout on ball stud. Confirm spring balance measurement value is within specifications when ball stud begins moving.

Swing torque : Refer to [FSU-19, "Ball Joint"](#).

- If swing torque exceeds standard range, replace upper link assembly.



Axial End Play Inspection

1. Move the ball joint at least ten times by hand to check for smooth movement.
2. Move tip of ball stud in axial direction to check for looseness.

Axial end play : Refer to [FSU-19, "Ball Joint"](#).

- If axial end play exceeds standard range, replace upper link assembly.

INSPECTION AFTER INSTALLATION

1. Check wheel sensor harness for proper connection. Refer to [BRC-115, "FRONT WHEEL SENSOR : Exploded View"](#).
2. Check wheel alignment. Refer to [FSU-7, "Inspection"](#).
3. Adjust neutral position of steering angle sensor. Refer to [BRC-9, "ADJUSTMENT OF STEERING ANGLE SENSOR NEUTRAL POSITION : Special Repair Requirement"](#).

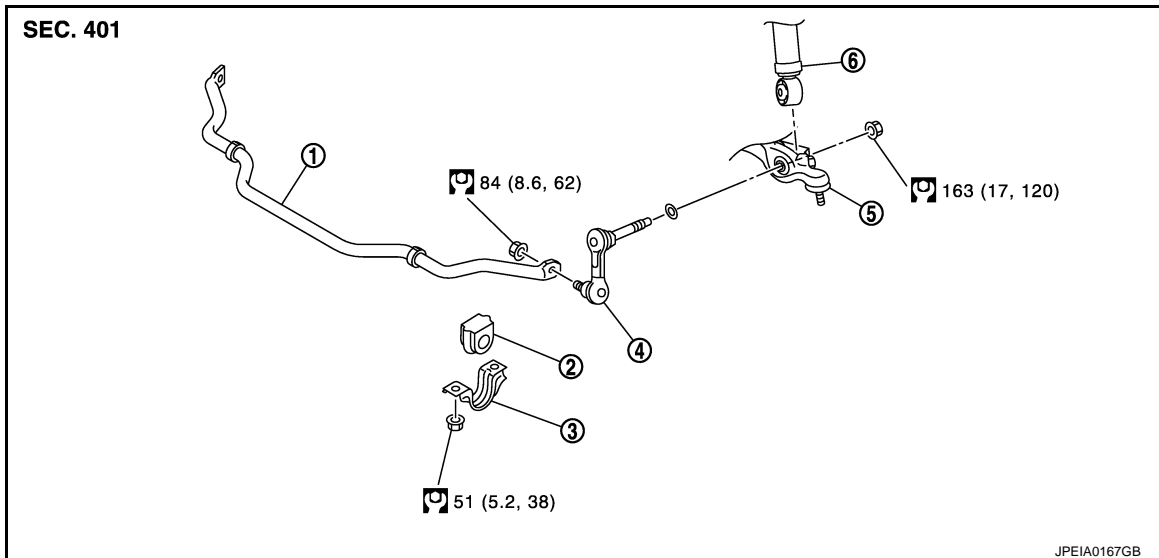
FRONT STABILIZER

< REMOVAL AND INSTALLATION >

FRONT STABILIZER

Exploded View

INFOID:000000006473334



- | | | |
|------------------------------|-----------------------|---------------------|
| 1. Stabilizer bar | 2. Stabilizer bushing | 3. Stabilizer clamp |
| 4. Stabilizer connecting rod | 5. Transverse link | 6. Shock absorber |

Refer to [GI-4, "Components"](#) for symbols in the figure.

Removal and Installation

INFOID:000000006473335

REMOVAL

1. Remove tires with power tool. Refer to [WT-48, "Exploded View"](#).
2. Remove engine lower cover with power tool. Refer to [EXT-31, "Exploded View"](#).
3. Remove stabilizer connecting rods.
CAUTION:
Apply a matching mark to identify the installation position.
4. Remove stabilizer clamps and stabilizer bushings.
5. Remove stabilizer bar.

INSTALLATION

Note the following, and install in the reverse order of removal.

- Check the matching mark when installing.
- Tighten the mounting nut to the specified torque while holding a hexagonal part of stabilizer connecting rod side.

Inspection

INFOID:000000006473336

INSPECTION AFTER REMOVAL

Check stabilizer bar, stabilizer connecting rod, stabilizer bushing and stabilizer clamp for deformation, cracks or damage. Replace it if necessary.

FRONT SUSPENSION MEMBER

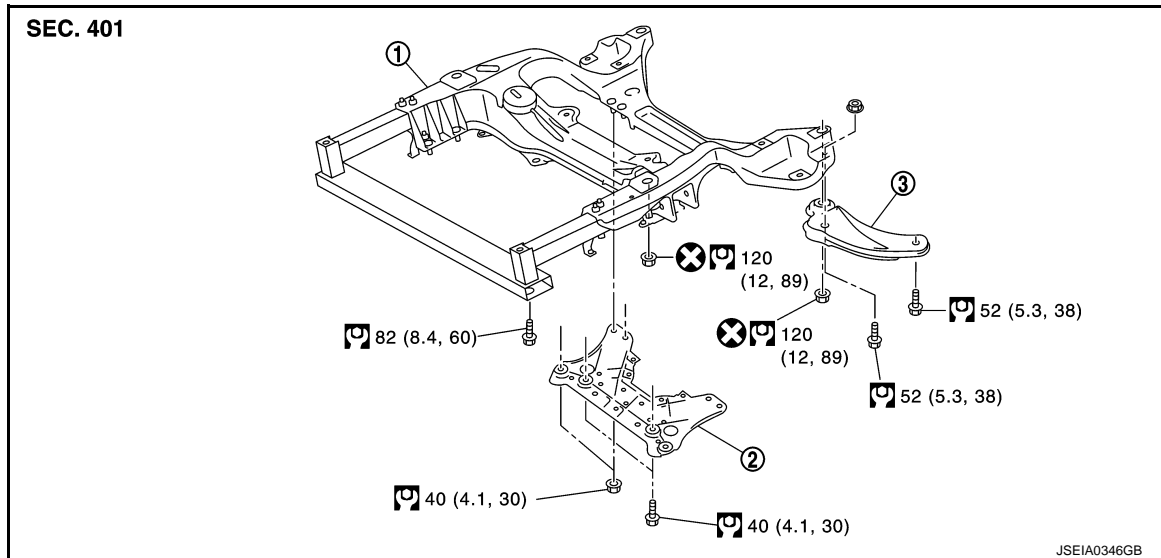
< UNIT REMOVAL AND INSTALLATION >

UNIT REMOVAL AND INSTALLATION

FRONT SUSPENSION MEMBER

Exploded View

INFOID:000000006473337



1. Front suspension member 2. Suspension member stay 3. Suspension member sub stay

Refer to [GI-4. "Components"](#) for symbols in the figure.

Removal and Installation

INFOID:000000006473338

REMOVAL

- At first, remove engine and transmission assembly with front suspension member downward. Then separate engine, transmission assembly and front suspension member. Refer to [EM-68. "Exploded View"](#).
- Remove the following parts.
 - Steering knuckles and wheel hub and bearing assemblies. Refer to [FAX-7. "Exploded View"](#).
 - Steering gear assembly and hydraulic line. Refer to [ST-24. "Exploded View"](#) and [ST-43. "Exploded View"](#).
 - Stabilizer bar and stabilizer connecting rods. Refer to [FSU-17. "Exploded View"](#).
 - Transverse links. Refer to [FSU-13. "Exploded View"](#).
 - Remove suspension member stay.
 - Remove suspension member sub stays.

INSTALLATION

Note the following, and install in the reverse order of removal.

- Perform final tightening of bolts and nuts at the vehicle installation position (rubber bushing), under unladen condition with tires on level ground.

Inspection

INFOID:000000006473339

INSPECTION AFTER REMOVAL

Check the front suspension member for significant deformation, cracks, or damages. Replace if necessary.

INSPECTION AFTER INSTALLATION

- Check wheel sensor harness for proper connection. Refer to [BRC-115. "FRONT WHEEL SENSOR : Exploded View"](#).
- Check wheel alignment. Refer to [FSU-7. "Inspection"](#).
- Adjust the neutral position of the steering angle sensor. Refer to [BRC-9. "ADJUSTMENT OF STEERING ANGLE SENSOR NEUTRAL POSITION : Special Repair Requirement"](#).

SERVICE DATA AND SPECIFICATIONS (SDS)

< SERVICE DATA AND SPECIFICATIONS (SDS)

SERVICE DATA AND SPECIFICATIONS (SDS)

SERVICE DATA AND SPECIFICATIONS (SDS)

Wheel Alignment

INFOID:000000006473340

Item		Standard		
Wheel size		225/50R18	225/45R19	
Camber Degree minute (Decimal degree)	Minimum	-1°10' (-1.16°)		
	Nominal	-0° 25' (-0.42°)		
	Maximum	0° 20' (0.33°)		
	Left and right difference	0° 33' (0.55°) or less		
Caster Degree minute (Decimal degree)	Minimum	4° 05' (4.09°)	4°10' (4.17°)	
	Nominal	4° 50' (4.83°)	4°55'(4.92°)	
	Maximum	5° 35' (5.58°)	5°40' (5.66°)	
	Left and right difference	0° 39' (0.65°) or less		
Kingpin inclination Degree minute (Decimal degree)	Minimum	6° 40' (6.67°)		
	Nominal	7° 25' (7.42°)		
	Maximum	8° 10' (8.16°)		
Toe-in	Total toe-in Distance	Minimum	0 mm (0.00 in)	
		Nominal	In 1 mm (0.04 in)	
		Maximum	In 2 mm (0.08 in)	
	Toe angle (left wheel or right wheel) Degree minute (Decimal Degree)	Minimum	0° 00' (0.00°)	
		Nominal	In 0° 02' 30''(0.04°)	
		Maximum	In 0° 05' (0.08°)	

Measure value under unladen* conditions.

*: Fuel, engine coolant and lubricant are full. Spare tire, jack, hand tools and mats are in designated positions.

Ball Joint

INFOID:000000006473341

Item		Standard	
Swing torque	Transverse link	0.5 – 3.6 N·m (0.06 – 0.36 kg·m, 5 – 31 in-lb)	
	Upper link	0 – 2.0 N·m (0 – 0.20 kg·m, 0 – 17 in-lb)	
Measurement on spring balance	Transverse link	7.8 – 56.3 N (0.8 – 5.7 kg, 1.8 – 12.6 lb)	
	Upper link	0 – 61.5 N (0 – 6.2 kg, 0 – 13.8 lb)	
Rotating torque	Transverse link	0.5 – 3.9 N·m (0.06 – 0.39 kg·m, 5 – 34 in-lb)	
Axial end play		0 mm (0 in)	

Wheelarch Height

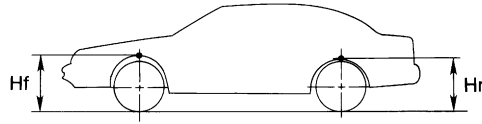
INFOID:000000006473342

Item	Standard	
Wheel size	18 inch	19 inch
Front (Hf)	712 mm (28.03 in)	714 mm (28.11 in)

SERVICE DATA AND SPECIFICATIONS (SDS)

< SERVICE DATA AND SPECIFICATIONS (SDS)

Item	Standard	
Wheel size	18 inch	19 inch
Rear (Hr)	701 mm (27.60 in)	702 mm (27.64 in)



SFA818A

Measure value under unladen* conditions

*: Fuel, engine coolant and lubricant are full. Spare tire, jack, hand tools and mats are in designated positions.