

SECTION **DLN**
DRIVELINE

A
B
C

DLN

CONTENTS

E

REAR PROPELLER SHAFT: 3S80A	PREPARATION	12	F
SYMPTOM DIAGNOSIS	Commercial Service Tools	12	
NOISE, VIBRATION AND HARSHNESS (NVH) TROUBLESHOOTING	PERIODIC MAINTENANCE	13	G
NVH Troubleshooting Chart	REAR PROPELLER SHAFT	13	
PREPARATION	Inspection	13	H
PREPARATION	REMOVAL AND INSTALLATION	14	
Commercial Service Tools	REAR PROPELLER SHAFT	14	I
PERIODIC MAINTENANCE	Exploded View	14	
REAR PROPELLER SHAFT	Removal and Installation	14	J
Inspection	Inspection	17	
REMOVAL AND INSTALLATION	SERVICE DATA AND SPECIFICATIONS (SDS)	19	K
REAR PROPELLER SHAFT	SERVICE DATA AND SPECIFICATIONS (SDS)	19	
Exploded View	General Specifications	19	L
Removal and Installation	Propeller Shaft Runout	19	
Inspection	Journal Axial Play	19	M
SERVICE DATA AND SPECIFICATIONS (SDS)	REAR FINAL DRIVE: R200		
SERVICE DATA AND SPECIFICATIONS (SDS)	SYSTEM DESCRIPTION	20	N
General Specifications	REAR FINAL DRIVE ASSEMBLY	20	
Propeller Shaft Runout	System Diagram	20	O
Journal Axial Play	SYMPTOM DIAGNOSIS	22	
REAR PROPELLER SHAFT: 3S80A-R	NOISE, VIBRATION AND HARSHNESS (NVH) TROUBLESHOOTING	22	P
SYMPTOM DIAGNOSIS	NVH Troubleshooting Chart	22	
NOISE, VIBRATION AND HARSHNESS (NVH) TROUBLESHOOTING	PRECAUTION	24	
NVH Troubleshooting Chart	PRECAUTIONS	24	
PREPARATION	Service Notice or Precautions for Rear Final Drive...24		
PREPARATION	PREPARATION	25	

PREPARATION	25	DIFFERENTIAL ASSEMBLY	48
Special Service Tools	25	M/T	48
Commercial Service Tools	27	M/T : Exploded View	48
PERIODIC MAINTENANCE	29	M/T : Disassembly	49
REAR DIFFERENTIAL GEAR OIL	29	M/T : Assembly	51
Inspection	29	M/T : Adjustment	55
Draining	29	M/T : Inspection After Disassembly	60
Refilling	29	A/T	60
REMOVAL AND INSTALLATION	30	A/T : Exploded View	61
FRONT OIL SEAL	30	A/T : Disassembly	61
M/T	30	A/T : Assembly	64
M/T : Exploded View	30	A/T : Adjustment	68
M/T : Removal and Installation	30	A/T : Inspection After Disassembly	73
A/T	34	DRIVE PINION	74
A/T : Exploded View	35	M/T	74
A/T : Removal and Installation	35	M/T : Exploded View	74
SIDE OIL SEAL	40	M/T : Disassembly	75
M/T	40	M/T : Assembly	76
M/T : Exploded View	40	M/T : Adjustment	80
M/T : Removal and Installation	40	M/T : Inspection After Disassembly	81
A/T	41	A/T	81
A/T : Exploded View	41	A/T : Exploded View	82
A/T : Removal and Installation	42	A/T : Disassembly	82
UNIT REMOVAL AND INSTALLATION	44	A/T : Assembly	84
REAR FINAL DRIVE ASSEMBLY	44	A/T : Adjustment	88
M/T	44	A/T : Inspection After Disassembly	88
M/T : Exploded View	44	SERVICE DATA AND SPECIFICATIONS	
M/T : Removal and Installation	44	(SDS)	90
A/T	45	SERVICE DATA AND SPECIFICATIONS	
A/T : Exploded View	46	(SDS)	90
A/T : Removal and Installation	46	General Specification	90
UNIT DISASSEMBLY AND ASSEMBLY ...	48	Drive Gear Runout	90
		Differential Side Gear Clearance	90
		Preload Torque	90
		Backlash	90
		Companion Flange Runout (M/T)	90
		Drive Pinion Runout (A/T)	91

NOISE, VIBRATION AND HARSHNESS (NVH) TROUBLESHOOTING

< SYMPTOM DIAGNOSIS >

[REAR PROPELLER SHAFT: 3S80A]

SYMPTOM DIAGNOSIS

NOISE, VIBRATION AND HARSHNESS (NVH) TROUBLESHOOTING

NVH Troubleshooting Chart

INFOID:000000008157567

Use the chart below to find the cause of the symptom. If necessary, repair or replace these parts.

Symptom		Possible cause and SUSPECTED PARTS													
		Uneven rotating torque	Center bearing improper installation	Excessive center bearing axial end play	Center bearing mounting (insulator) cracks, damage or deterioration	Excessive joint angle	Rotation imbalance	Excessive runout	DIFFERENTIAL	AXLE AND SUSPENSION	TIRE	ROAD WHEEL	DRIVE SHAFT	BRAKE	STEERING
Noise	Noise	x	x	x	x	x	x	x	x	x	x	x	x	x	x
	Shake		x			x				x	x	x	x	x	x
	Vibration	x	x	x	x	x	x	x		x	x	x			x
Reference		DLN-5, "Inspection"	DLN-8, "Inspection"	—	DLN-8, "Inspection"	—	DLN-8, "Inspection"	DLN-8, "Inspection"	NVH of REAR FINAL DRIVE in this section.	NVH in FAX, RAX, FSU and RSU section.	NVH in WT section.	NVH in WT section.	NVH in RAX section.	NVH in BR section.	NVH in ST section.

x: Applicable

A
B
C
DLN
E
F
G
H
I
J
K
L
M
N
O
P

PREPARATION

< PREPARATION >

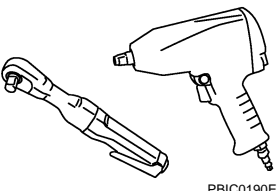
[REAR PROPELLER SHAFT: 3S80A]

PREPARATION

PREPARATION

Commercial Service Tools

INFOID:000000008157568

Tool name	Description
Power tool  PBIC0190E	Loosening bolts and nuts

REAR PROPELLER SHAFT

< PERIODIC MAINTENANCE >

[REAR PROPELLER SHAFT: 3S80A]

PERIODIC MAINTENANCE

REAR PROPELLER SHAFT

Inspection

INFOID:000000008157569

NOISE

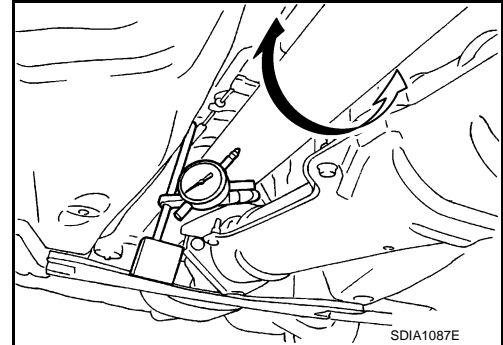
- Check the propeller shaft tube surface for dents or cracks. If damaged, replace propeller shaft assembly.
- If center bearing is noisy or damaged, replace propeller shaft assembly.

VIBRATION

If vibration is present at high speed, inspect propeller shaft runout first.

1. With a dial indicator, measure propeller shaft runout at runout measuring points by rotating final drive companion flange with hands.

Propeller shaft runout : Refer to [DLN-10, "Propeller Shaft Runout"](#).

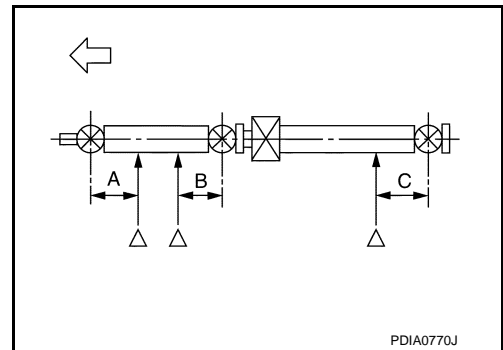


- Propeller shaft runout measuring point (Point "△").

← Vehicle front

Dimension

A: 192 mm (7.56 in)
B: 172 mm (6.77 in)
C: 170 mm (6.69 in)



2. If runout still exceeds specifications, separate propeller shaft at final drive companion flange; then change the phase between companion flange and propeller shaft by the one bolt hole at a time and install propeller shaft.
3. If runout is more than the limit value, remove and check propeller shaft.
4. Check the vibration by driving vehicle.

REAR PROPELLER SHAFT

< REMOVAL AND INSTALLATION >

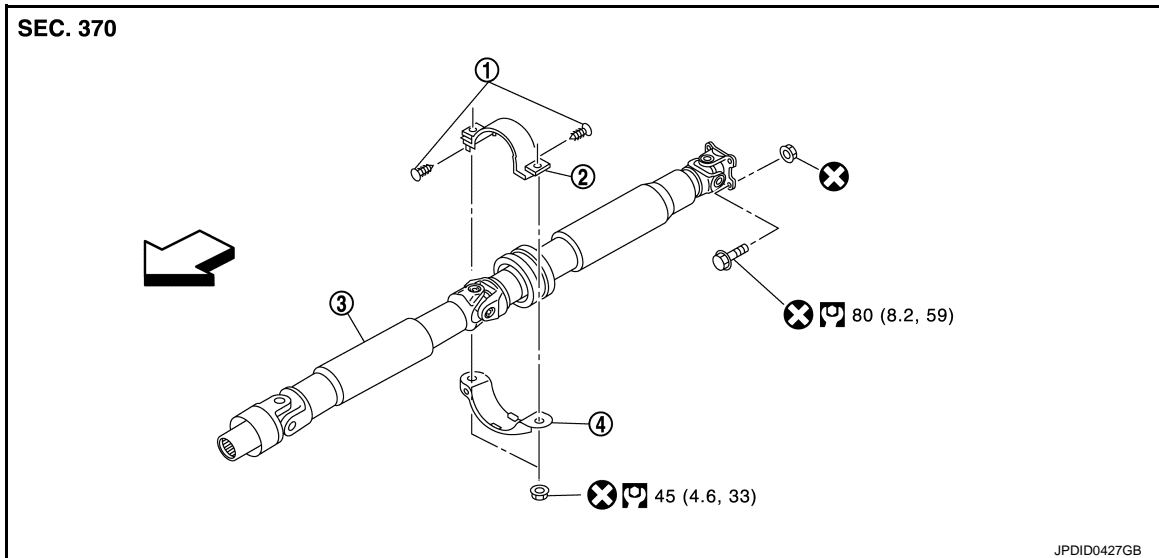
[REAR PROPELLER SHAFT: 3S80A]

REMOVAL AND INSTALLATION

REAR PROPELLER SHAFT

Exploded View

INFOID:000000008157570



1. Clip
2. Center bearing mounting bracket (upper)
3. Propeller shaft assembly
4. Center bearing mounting bracket (lower)

↔: Vehicle front

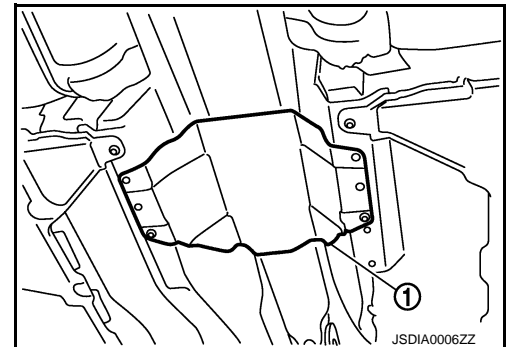
Refer to [GI-4, "Components"](#) for symbols in the figure.

Removal and Installation

INFOID:000000008157571

REMOVAL

1. Move the M/T shift lever to neutral position and release the parking brake.
2. Remove the floor reinforcement.
3. Remove the center muffler with power tool. Refer to [EX-5, "Exploded View"](#).
4. Remove the heat insulator (1).



REAR PROPELLER SHAFT

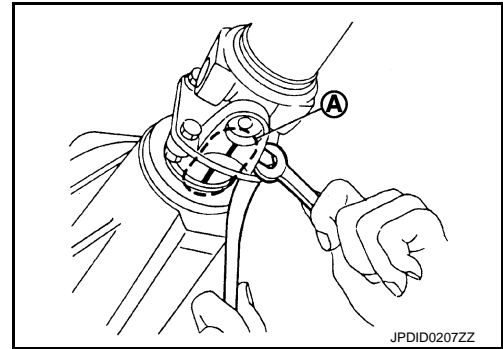
< REMOVAL AND INSTALLATION >

[REAR PROPELLER SHAFT: 3S80A]

5. Put matching marks (A) on propeller shaft flange yoke with final drive companion flange.

CAUTION:

For matching marks, use paint. Never damage propeller shaft flange yoke and final drive companion flange.



6. Loosen mounting nuts (1) of center bearing mounting brackets.

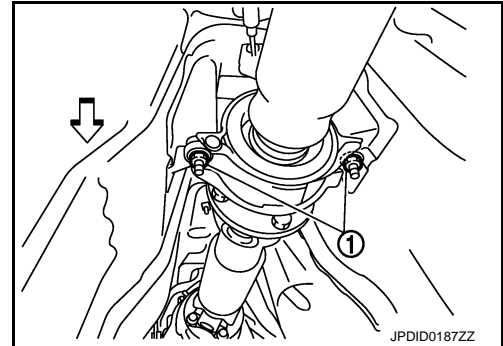
CAUTION:

Tighten mounting nuts temporarily.

7. Remove propeller shaft assembly fixing bolts and nuts.
8. Remove center bearing mounting bracket fixing nuts.
9. Remove propeller shaft assembly.

CAUTION:

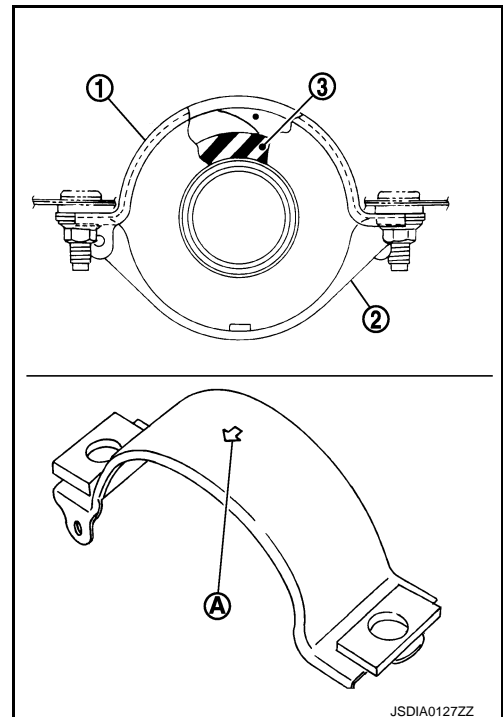
- Never damage the rear oil seal of transmission.
- If constant velocity joint was bent during propeller shaft assembly removal, installation, or transportation, its boot may be damaged. Wrap boot interference area to metal part with shop cloth or rubber to protect boot from breakage.



INSTALLATION

Note the following, and install in the reverse order of removal.

- Install center bearing mounting bracket (upper) (1) with its arrow mark (A) facing forward.
- Adjust position of center bearing mounting bracket (upper) (1) and center bearing mounting bracket (lower) (2) sliding back and forth to prevent play in thrust direction of center bearing insulator (3). Install bracket to vehicle.



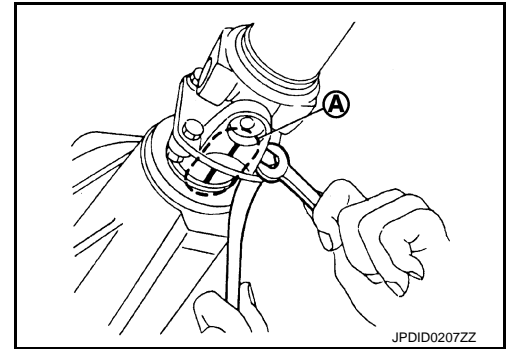
A
B
C
DLN
E
F
G
H
I
J
K
L
M
N
O
P

REAR PROPELLER SHAFT

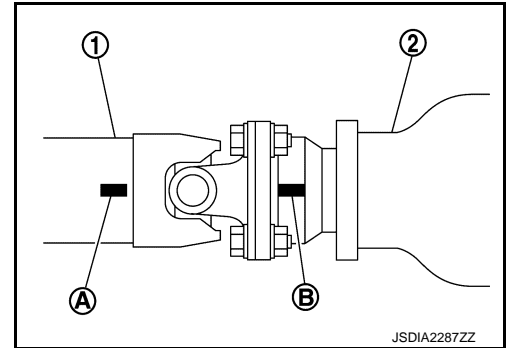
< REMOVAL AND INSTALLATION >

[REAR PROPELLER SHAFT: 3S80A]

- Align matching marks (A) to install propeller shaft flange yoke with final drive companion flange.
- Perform inspection after installation. Refer to [DLN-8, "Inspection"](#).



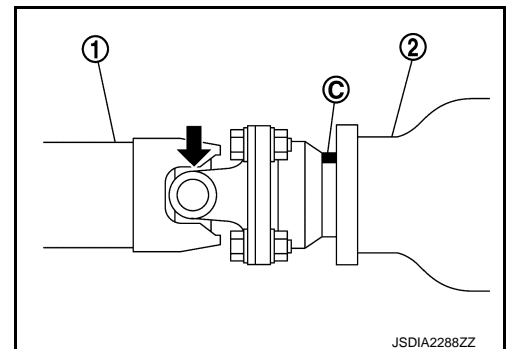
- Install propeller shaft (1) while aligning its matching mark (A) of propeller shaft with the matching mark (B) of final drive (2) on the joint as close as possible.
- Temporary tighten bolts and nuts.



- Press down propeller shaft (1) with matching mark (C) of final drive (2) facing upward. Then tighten fixing bolts and nuts to the specified torque.

CAUTION:

Never damage the rear oil seal of transmission.



Inspection

INFOID:000000008157572

INSPECTION AFTER REMOVAL

Appearance

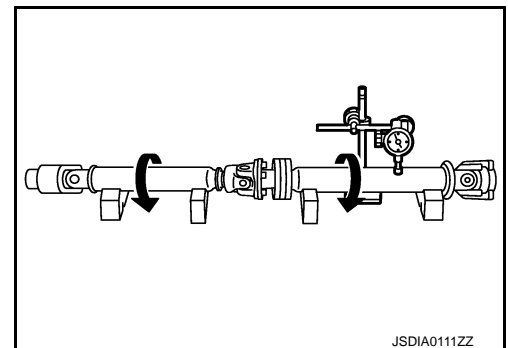
- Check propeller shaft for bend and damage. If damage is detected, replace propeller shaft assembly.

Propeller Shaft Runout

- Check propeller shaft runout at measuring points. If runout exceeds specifications, replace propeller shaft assembly.

Propeller shaft runout

: Refer to [DLN-10, "Propeller Shaft Runout"](#).



REAR PROPELLER SHAFT

< REMOVAL AND INSTALLATION >

[REAR PROPELLER SHAFT: 3S80A]

- Propeller shaft runout measuring point (Point “△”).

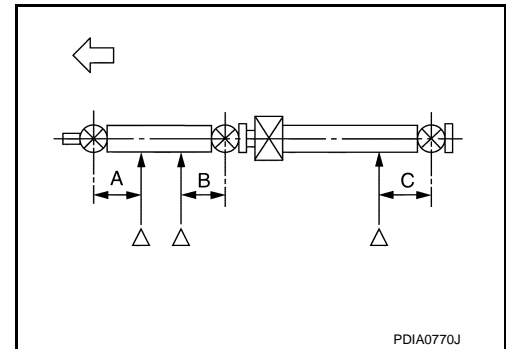
↶: Vehicle front

Dimension

A: 192 mm (7.56 in)

B: 172 mm (6.77 in)

C: 170 mm (6.69 in)



Journal Axial Play

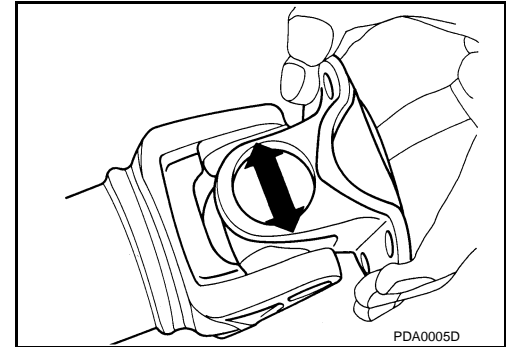
- As shown in the figure, while fixing yoke on one side, check axial play of joint. If outside the standard, replace propeller shaft assembly.

Journal axial play

: Refer to [DLN-10, "Journal Axial Play"](#).

CAUTION:

Never disassemble joints.



Center Bearing

- Check center bearing for noise and damage. If noise or damage is detected, replace propeller shaft assembly.

CAUTION:

Never disassemble center bearing.

INSPECTION AFTER INSTALLATION

After assembly, perform a driving test to check propeller shaft vibration. If vibration occurred, separate propeller shaft from final drive. Reinstall companion flange by changing the phase between companion flange and propeller shaft by the one bolt hole at a time. Then perform driving test and check propeller shaft vibration again at each point.

A
B
C
DLN
E
F
G
H
I
J
K
L
M
N
O
P

SERVICE DATA AND SPECIFICATIONS (SDS)

< SERVICE DATA AND SPECIFICATIONS (SDS)

[REAR PROPELLER SHAFT: 3S80A]

SERVICE DATA AND SPECIFICATIONS (SDS)

SERVICE DATA AND SPECIFICATIONS (SDS)

General Specifications

INFOID:000000008157573

Applied model		2WD
		VQ37VHR
		M/T
Propeller shaft model		3S80A
Number of joints		3
Type of journal bearings (Non-disassembly type)	1st joint	Shell type
	2nd joint	Shell type
	3rd joint	Shell type
Coupling method with transmission		Sleeve type
Coupling method with rear final drive		Flange type
Shaft length	1st (Spider to spider)	779 mm (30.67 in)
	2nd (Spider to spider)	742 mm (29.21 in)
Shaft outer diameter	1st	82.6 mm (3.25 in)
	2nd	75.0 mm (2.95 in)

Propeller Shaft Runout

INFOID:000000008157574

Unit: mm (in)

Item	Limit
Propeller shaft runout	0.8 (0.031)

Journal Axial Play

INFOID:000000008157575

Unit: mm (in)

Item	Standard
Journal axial play	0 (0)

NOISE, VIBRATION AND HARSHNESS (NVH) TROUBLESHOOTING

< SYMPTOM DIAGNOSIS >

[REAR PROPELLER SHAFT: 3S80A-R]

SYMPTOM DIAGNOSIS

NOISE, VIBRATION AND HARSHNESS (NVH) TROUBLESHOOTING

NVH Troubleshooting Chart

INFOID:000000008157576

Use the chart below to find the cause of the symptom. If necessary, repair or replace these parts.

Symptom		Possible cause and SUSPECTED PARTS													
		Uneven rotating torque	Center bearing improper installation	Excessive center bearing axial end play	Center bearing mounting (insulator) cracks, damage or deterioration	Excessive joint angle	Rotation imbalance	Excessive runout	DIFFERENTIAL	AXLE AND SUSPENSION	TIRE	ROAD WHEEL	DRIVE SHAFT	BRAKE	STEERING
Noise	Noise	x	x	x	x	x	x	x	x	x	x	x	x	x	x
	Shake		x			x				x	x	x	x	x	x
	Vibration	x	x	x	x	x	x	x		x	x	x			x
Reference		DLN-13, "Inspection"	DLN-17, "Inspection"	—	DLN-17, "Inspection"	—	DLN-17, "Inspection"	DLN-17, "Inspection"	NVH of REAR FINAL DRIVE in this section.	NVH in FAX, RAX, FSU and RSU section.	NVH in WT section.	NVH in WT section.	NVH in RAX section.	NVH in BR section.	NVH in ST section.

x: Applicable

A
B
C
DLN
E
F
G
H
I
J
K
L
M
N
O
P

PREPARATION

< PREPARATION >

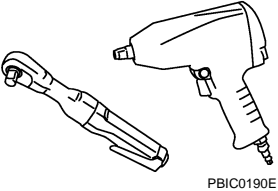
[REAR PROPELLER SHAFT: 3S80A-R]

PREPARATION

PREPARATION

Commercial Service Tools

INFOID:000000008157577

Tool name	Description
Power tool  PBIC0190E	Loosening bolts and nuts

REAR PROPELLER SHAFT

< PERIODIC MAINTENANCE >

[REAR PROPELLER SHAFT: 3S80A-R]

PERIODIC MAINTENANCE

REAR PROPELLER SHAFT

Inspection

INFOID:000000008157578

NOISE

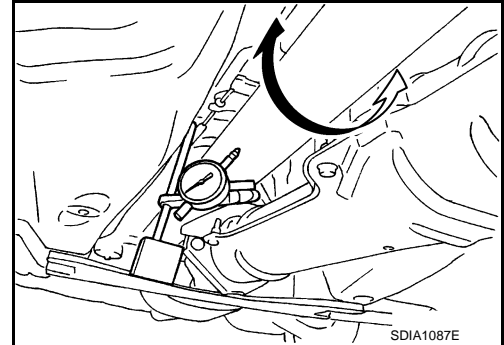
- Check the propeller shaft tube surface for dents or cracks. If damaged, replace propeller shaft assembly.
- If center bearing is noisy or damaged, replace propeller shaft assembly.

VIBRATION

If vibration is present at high speed, inspect propeller shaft runout first.

1. With a dial indicator, measure propeller shaft runout at runout measuring points by rotating final drive companion flange with hands.

Propeller shaft runout : Refer to [DLN-19, "Propeller Shaft Runout"](#).

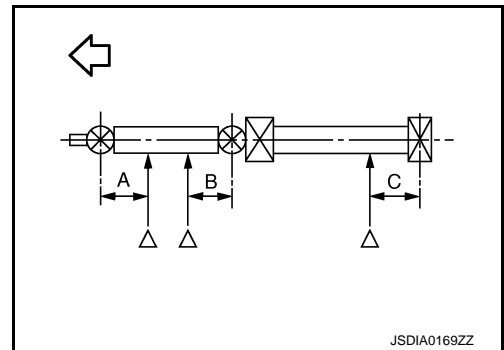


- Propeller shaft runout measuring point (Point "△").

←: Vehicle front

Dimension

A: 192 mm (7.56 in)
B: 172 mm (6.77 in)
C: 172 mm (6.77 in)



2. If runout still exceeds specifications, separate propeller shaft at final drive companion flange; then change the phase between companion flange and propeller shaft by the one bolt hole at a time and install propeller shaft.
3. If runout is more than the limit value, remove and check propeller shaft.
4. Check the vibration by driving vehicle.

REAR PROPELLER SHAFT

< REMOVAL AND INSTALLATION >

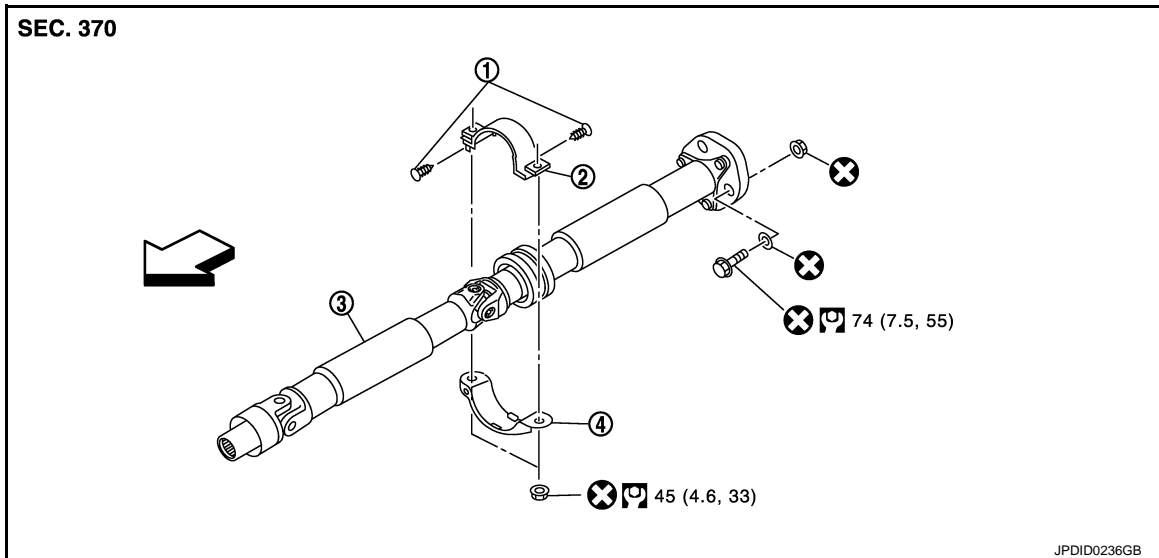
[REAR PROPELLER SHAFT: 3S80A-R]

REMOVAL AND INSTALLATION

REAR PROPELLER SHAFT

Exploded View

INFOID:000000008157579



1. Clip
2. Center bearing mounting bracket (upper)
3. Propeller shaft assembly
4. Center bearing mounting bracket (lower)

↔: Vehicle front

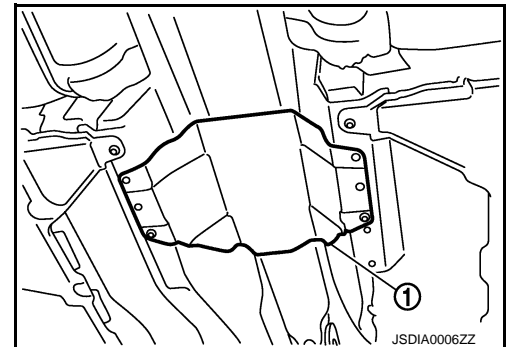
Refer to [GI-4, "Components"](#) for symbols in the figure.

Removal and Installation

INFOID:000000008157580

REMOVAL

1. Move the A/T selector lever to N position and release the parking brake.
2. Remove the floor reinforcement.
3. Remove the center muffler with power tool. Refer to [EX-5, "Exploded View"](#).
4. Remove the heat insulator (1).



REAR PROPELLER SHAFT

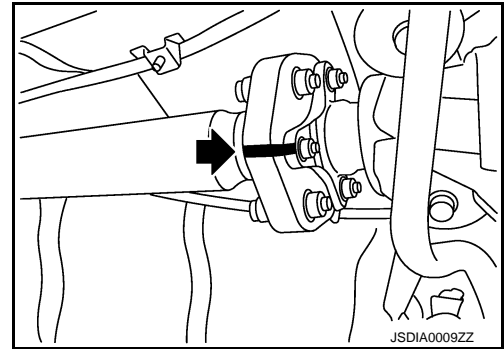
< REMOVAL AND INSTALLATION >

[REAR PROPELLER SHAFT: 3S80A-R]

5. Put matching marks on propeller shaft rubber coupling with final drive companion flange.

CAUTION:

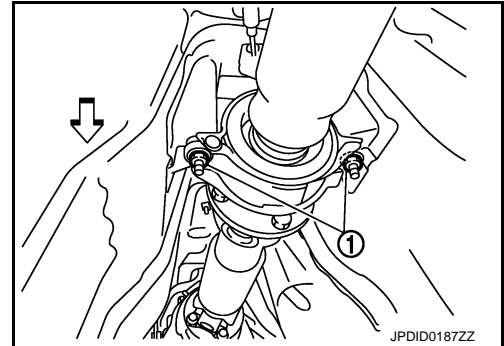
For matching marks, use paint. Never damage propeller shaft rubber coupling and final drive companion flange.



6. Loosen mounting nuts (1) of center bearing mounting brackets.

CAUTION:

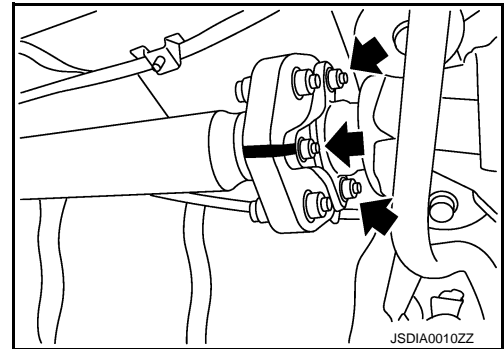
Tighten mounting nuts temporarily.



7. Remove propeller shaft assembly fixing bolts and nuts.

CAUTION:

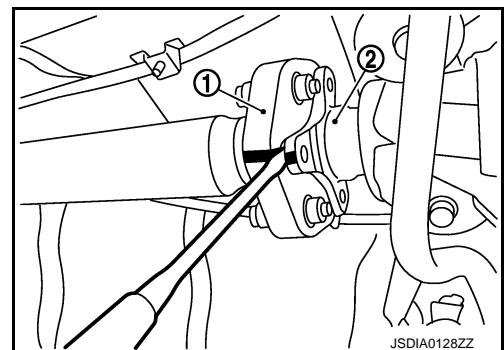
Never remove the rubber coupling from the propeller shaft assembly.



8. Slightly separate the rubber coupling (1) from the final drive companion flange (2).

CAUTION:

Never damage the final drive companion flange and rubber coupling.



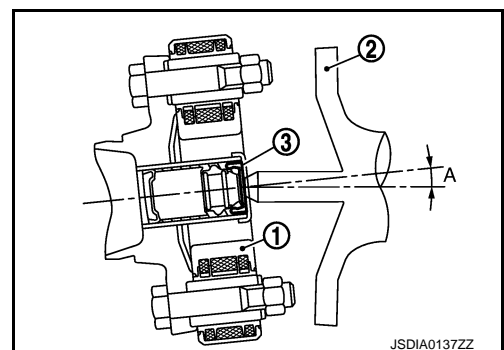
9. Remove center bearing mounting bracket fixing nuts.

CAUTION:

- The angle (A), which the third axis rubber coupling (1) forms with the final drive companion flange (2), must be 5° or less.
- Never damage the grease seal (3).
- Never damage the rubber coupling.

10. Slide the propeller shaft in the vehicle forward direction slightly. Separate the propeller shaft from the final drive companion flange.

CAUTION:



A

B

C

DLN

E

F

G

H

I

J

K

L

M

N

O

P

REAR PROPELLER SHAFT

< REMOVAL AND INSTALLATION >

[REAR PROPELLER SHAFT: 3S80A-R]

- The angle, which the third axis rubber coupling forms with the final drive companion flange, must be 5° or less.
- Never damage the grease seal.
- Never damage the rubber coupling.

11. Remove the propeller shaft assembly from the vehicle.

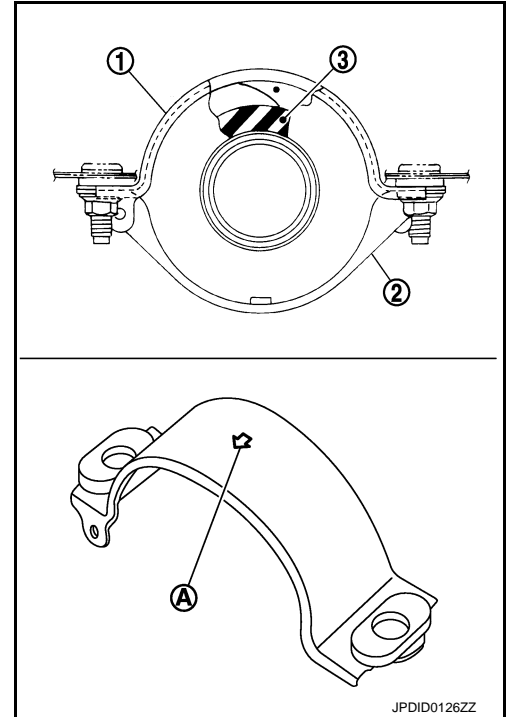
CAUTION:

Never damage the rear oil seal of transmission.

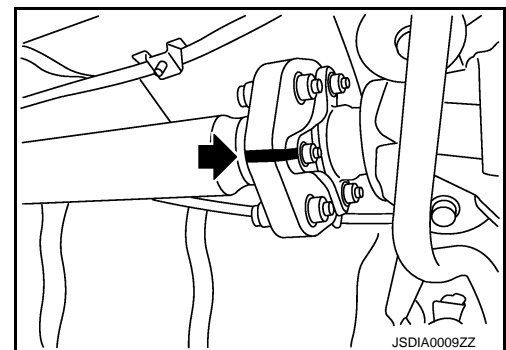
INSTALLATION

Note the following, and install in the reverse order of removal.

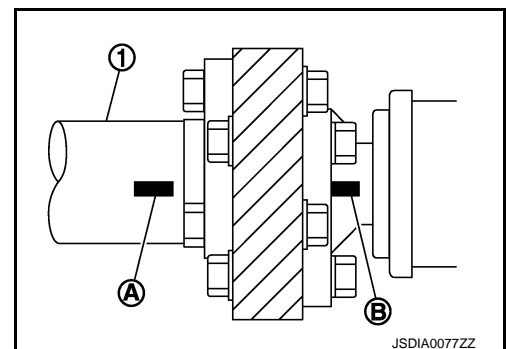
- Install center bearing mounting bracket (upper) (1) with its arrow mark (A) facing forward.
- Adjust position of center bearing mounting bracket (upper) (1) and center bearing mounting bracket (lower) (2) sliding back and forth to prevent play in thrust direction of center bearing insulator (3). Install bracket to vehicle.



- Align matching marks to install propeller shaft rubber coupling to final drive companion flange.
- Perform inspection after installation. Refer to [DLN-17. "Inspection"](#).



- If propeller shaft or final drive has been replaced, connect them as follows:
 - Install the propeller shaft (1) while aligning its matching mark (A) with the matching mark (B) on the joint as close as possible.
- Tighten mounting bolts and nuts of propeller shaft and final drive to the specified torque.



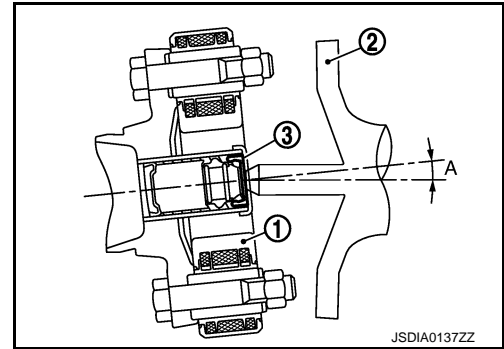
CAUTION:

REAR PROPELLER SHAFT

< REMOVAL AND INSTALLATION >

[REAR PROPELLER SHAFT: 3S80A-R]

- The angle (A), which the third axis rubber coupling (1) forms with the final drive companion flange (2), must be 5° or less.
- Never damage the grease seal (3).
- Never damage the rubber coupling.
- Never damage the rear oil seal of transmission.
- Never damage the rubber coupling, protect it with a shop towel or equivalent.



Inspection

INFOID:000000008157581

INSPECTION AFTER REMOVAL

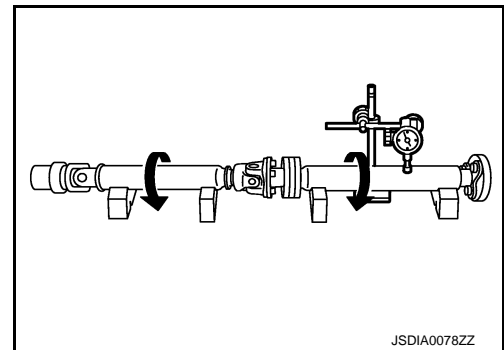
Appearance

- Check propeller shaft for bend and damage. If damage is detected, replace propeller shaft assembly.

Propeller Shaft Runout

- Check propeller shaft runout at measuring points. If runout exceeds specifications, replace propeller shaft assembly.

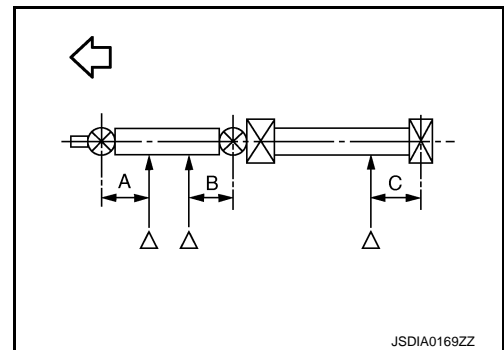
Propeller shaft runout : Refer to [DLN-19, "Propeller Shaft Runout"](#).



- Propeller shaft runout measuring point (Point "△").

←: Vehicle front

Dimension
A: 192 mm (7.56 in)
B: 172 mm (6.77 in)
C: 172 mm (6.77 in)

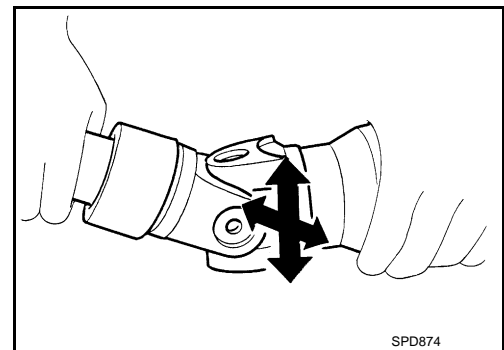


Journal Axial Play

- As shown in the figure, while fixing yoke on one side, check axial play of joint. If outside the standard, replace propeller shaft assembly.

Journal axial play : Refer to [DLN-19, "Journal Axial Play"](#).

CAUTION:
Never disassemble joints.



Center Bearing

- Check center bearing for noise and damage. If noise or damage is detected, replace propeller shaft assembly.

CAUTION:

REAR PROPELLER SHAFT

< REMOVAL AND INSTALLATION >

[REAR PROPELLER SHAFT: 3S80A-R]

Never disassemble center bearing.

INSPECTION AFTER INSTALLATION

After assembly, perform a driving test to check propeller shaft vibration. If vibration occurred, separate propeller shaft from final drive. Reinstall companion flange by changing the phase between companion flange and propeller shaft by the one bolt hole at a time. Then perform driving test and check propeller shaft vibration again at each point.

SERVICE DATA AND SPECIFICATIONS (SDS)

< SERVICE DATA AND SPECIFICATIONS (SDS)

[REAR PROPELLER SHAFT: 3S80A-R]

SERVICE DATA AND SPECIFICATIONS (SDS)

SERVICE DATA AND SPECIFICATIONS (SDS)

General Specifications

INFOID:000000008157582

Applied model		2WD
		VQ37VHR
		A/T
Propeller shaft model		3S80A-R
Number of joints		3
Type of journal bearings (Non-disassembly type)	1st joint	Shell type
	2nd joint	Shell type
	3rd joint	Rubber coupling type
Coupling method with transmission		Sleeve type
Coupling method with rear final drive		Rubber coupling type
Shaft length	1st (Spider to spider)	697 mm (27.44 in)
	2nd (Spider to rubber coupling center)	772 mm (30.39 in)
Shaft outer diameter	1st	82.6 mm (3.25 in)
	2nd	75.0 mm (2.95 in)

Propeller Shaft Runout

INFOID:000000008157583

Unit: mm (in)

Item	Limit
Propeller shaft runout	0.8 (0.031)

Journal Axial Play

INFOID:000000008157584

Unit: mm (in)

Item	Standard
Journal axial play	0 (0)

REAR FINAL DRIVE ASSEMBLY

< SYSTEM DESCRIPTION >

[REAR FINAL DRIVE: R200]

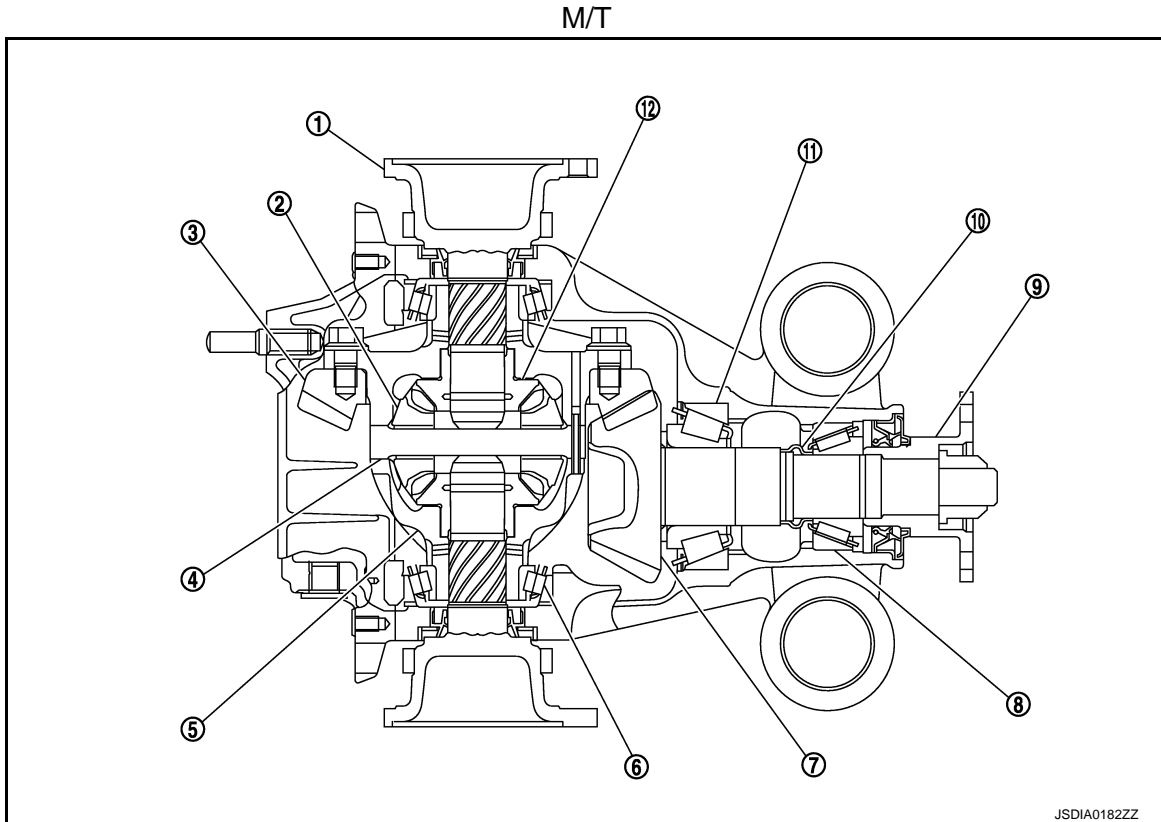
SYSTEM DESCRIPTION

REAR FINAL DRIVE ASSEMBLY

System Diagram

INFOID:000000008157585

CROSS-SECTIONAL VIEW



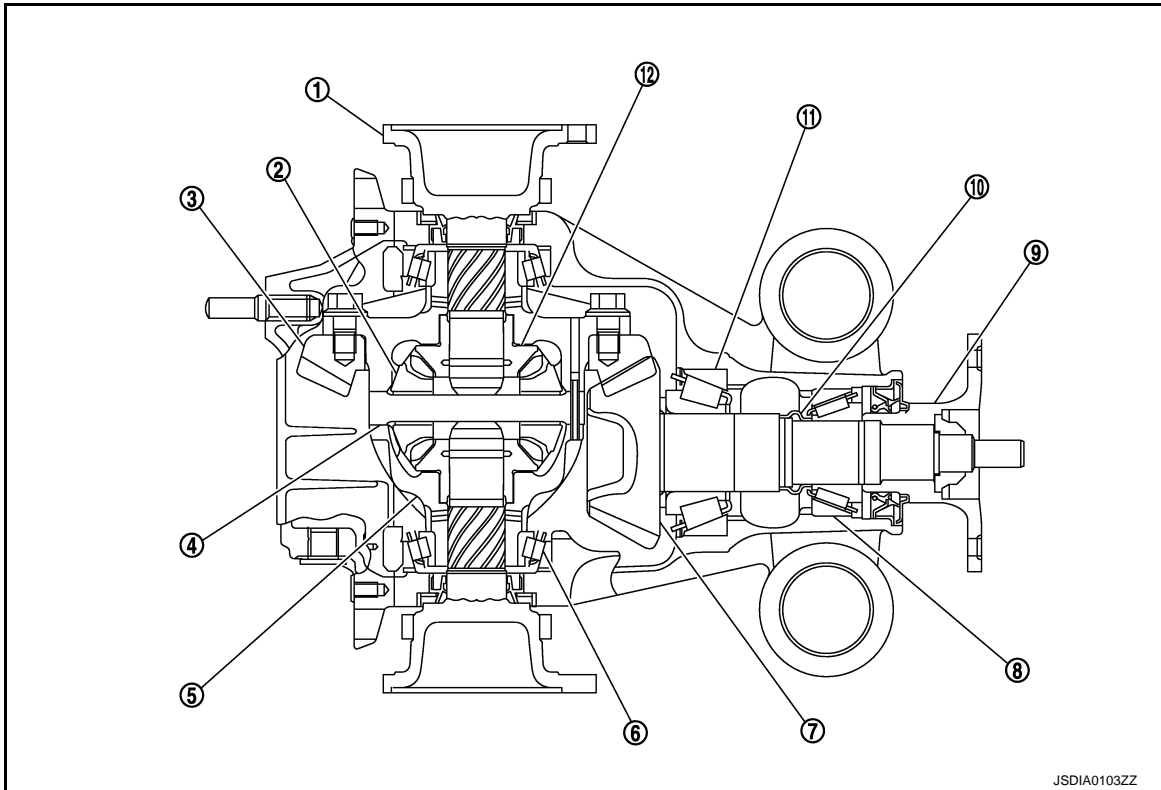
- | | | |
|------------------------|-------------------------|---------------------|
| 1. Side flange | 2. Pinion mate gear | 3. Drive gear |
| 4. Pinion mate shaft | 5. Differential case | 6. Side bearing |
| 7. Drive pinion | 8. Pinion front bearing | 9. Companion flange |
| 10. Collapsible spacer | 11. Pinion rear bearing | 12. Side gear |

REAR FINAL DRIVE ASSEMBLY

< SYSTEM DESCRIPTION >

[REAR FINAL DRIVE: R200]

A/T



- | | | |
|------------------------|-------------------------|---------------------|
| 1. Side flange | 2. Pinion mate gear | 3. Drive gear |
| 4. Pinion mate shaft | 5. Differential case | 6. Side bearing |
| 7. Drive pinion | 8. Pinion front bearing | 9. Companion flange |
| 10. Collapsible spacer | 11. Pinion rear bearing | 12. Side gear |

A

B

C

DLN

E

F

G

H

I

J

K

L

M

N

O

P

NOISE, VIBRATION AND HARSHNESS (NVH) TROUBLESHOOTING

< SYMPTOM DIAGNOSIS >

[REAR FINAL DRIVE: R200]

SYMPTOM DIAGNOSIS

NOISE, VIBRATION AND HARSHNESS (NVH) TROUBLESHOOTING

NVH Troubleshooting Chart

INFOID:000000008157586

M/T

Use the chart below to find the cause of the symptom. If necessary, repair or replace these parts.

Reference		DLN-60. "M/T : Inspection After Disassembly"	DLN-55. "M/T : Adjustment"	DLN-60. "M/T : Inspection After Disassembly"	DLN-55. "M/T : Adjustment"	DLN-55. "M/T : Adjustment"	DLN-29. "Inspection"	NVH of REAR PROPELLER SHAFT in this section.	NVH in FAX, RAX, FSU and RSU sections.	NVH in WT section.	NVH in WT section.	NVH in RAX section.	NVH in BR section.	NVH in ST section.
Possible cause and SUSPECTED PARTS		Gear tooth rough	Gear contact improper	Tooth surfaces worn	Backlash incorrect	Companion flange excessive runout	Gear oil improper	PROPELLER SHAFT	AXLE AND SUSPENSION	TIRE	ROAD WHEEL	DRIVE SHAFT	BRAKE	STEERING
Symptom	Noise	x	x	x	x	x	x	x	x	x	x	x	x	x

x: Applicable

A/T

PRECAUTION

PRECAUTIONS

Service Notice or Precautions for Rear Final Drive

INFOID:000000008157587

- Check for the correct installation status prior to removal or disassembly. If matching marks are required, be certain they never interfere with the function of the parts when applied.
- Overhaul should be done in a clean work area, it is preferable to work in dustproof area.
- Before disassembly, using steam or white gasoline, completely remove sand and mud from the exterior of the unit, preventing them from entering into the unit during disassembly or assembly.
- Check appearance of the disassembled parts for damage, deformation, and unusual wear. Replace them with new ones, if necessary.
- Gaskets, seals and O-rings should be replaced any time when the unit is disassembled.
- In principle, tighten bolts or nuts gradually in several steps working diagonally from inside to outside. If tightening sequence is specified, observe it.
- Clean and flush the parts sufficiently and blow-dry them.
- Be careful not to damage sliding surfaces and mating surfaces.
- When applying sealant, remove the old sealant from the mounting surface; then remove any moisture, oil, and foreign materials from the application and mounting surfaces.
- Always use shop paper for cleaning the inside of components.
- Never use cotton gloves or shop rags to prevent entering of lint.
- During assembly, observe the specified tightening torque, and apply new gear oil, petroleum jelly, or multi-purpose grease as specified for each vehicle, if necessary.

PREPARATION

< PREPARATION >

[REAR FINAL DRIVE: R200]

PREPARATION

PREPARATION

Special Service Tools

INFOID:000000008157588

The actual shapes of Kent-Moore tools may differ from those of special service tools illustrated here.

Tool number (Kent-Moore No.) Tool name	Description
KV40104100 (—) Attachment	Removing side flange
ST36230000 (J-25840-A) Sliding hammer	Removing side flange
ST3127S000 (J-25765-A) Preload gauge	Measuring pinion bearing preload and total preload
KV381054S0 (J-34286) Puller	Removing front oil seal
ST30720000 (J-25405) Drift a: 77 mm (3.03 in) dia. b: 55.5 mm (2.185 in) dia.	<ul style="list-style-type: none"> • Installing front oil seal • Installing pinion rear bearing outer race
KV38107900 (J-39352) Protector	Installing side flange

A

B

C

DLN

E

F

G

H

I

J

K

L

M

N

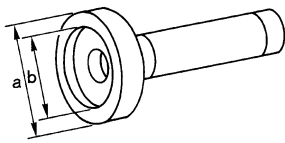
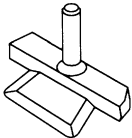
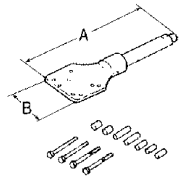
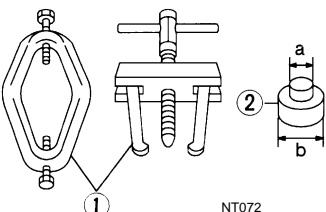
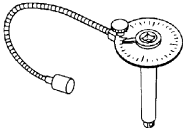
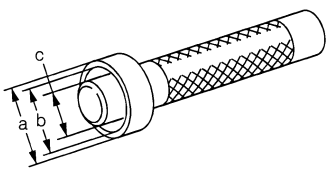
O

P

PREPARATION

< PREPARATION >

[REAR FINAL DRIVE: R200]

Tool number (Kent-Moore No.) Tool name	Description
KV38100200 (J-26233) Drift a: 65 mm (2.56 in) dia. b: 49 mm (1.93 in) dia. <div style="text-align: center;">  <p style="text-align: center;">ZZA1143D</p> </div>	Installing side oil seal
KV10111100 (J-37228) Seal cutter <div style="text-align: center;">  <p style="text-align: center;">S-NT046</p> </div>	Removing rear cover
KV38100800 (J-25604-01) Attachment A: 541 mm (21.30 in) B: 200 mm (7.87 in) <div style="text-align: center;">  <p style="text-align: center;">SDIA0267E</p> </div>	Fixing unit assembly
ST3306S001 (J-22888-D) Differential side bearing puller set 1: ST33051001 (J-22888-20) Puller 2: ST33061000 (J-8107-2) Base a: 28.5 mm (1.122 in) dia. b: 38 mm (1.50 in) dia. <div style="text-align: center;">  <p style="text-align: center;">NT072</p> </div>	Removing and installing side bearing inner race
KV10112100 (BT-8653-A) Angle wrench <div style="text-align: center;">  <p style="text-align: center;">ZZA0120D</p> </div>	Tightening drive gear bolt
KV38100300 (J-25523) Drift a: 54 mm (2.13 in) dia. b: 46 mm (1.81 in) dia. c: 32 mm (1.26 in) dia. <div style="text-align: center;">  <p style="text-align: center;">ZZA1046D</p> </div>	Installing side bearing inner race

PREPARATION

< PREPARATION >

[REAR FINAL DRIVE: R200]

Tool number (Kent-Moore No.) Tool name	Description	A
— (J-8129) Spring gauge	Measuring turning torque	B C
KV40105230 (—) Drift a: 92 mm (3.62 in) dia. b: 86 mm (3.39 in) dia. c: 45 mm (1.77 in) dia.	Installing pinion rear bearing outer race	DLN E F
ST30611000 (J-25742-1) Drift bar	Installing pinion front bearing outer race (Use with ST30613000)	G H
ST30613000 (J-25742-3) Drift a: 72 mm (2.83 in) dia. b: 48 mm (1.89 in) dia.	Installing pinion front bearing outer race	I J K
ST30901000 (J-26010-01) Drift a: 79 mm (3.11 in) dia. b: 45 mm (1.77 in) dia. c: 35.2 mm (1.386 in) dia.	Installing pinion rear bearing inner race	L M

Commercial Service Tools

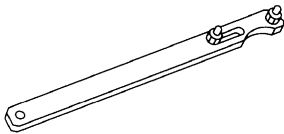
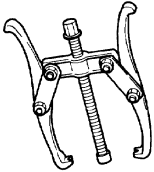

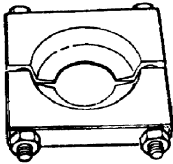
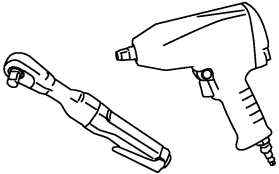
INFOID:000000008157589

N
O
P

PREPARATION

< PREPARATION >

[REAR FINAL DRIVE: R200]

Tool name	Description
Flange wrench  NT035	Removing and installing drive pinion lock nut
Puller  ZZA0119D	Removing companion flange
Sliding hammer  NT125	Removing differential case assembly
Replacer  ZZA0700D	Removing pinion rear bearing inner race
Spacer a: 60 mm (2.36 in) dia. b: 36 mm (1.42 in) dia. c: 30 mm (1.18 in)	Installing pinion front bearing inner race
Power tool  PBIC0190E	Loosening bolts and nuts

PERIODIC MAINTENANCE

REAR DIFFERENTIAL GEAR OIL

Inspection

INFOID:000000008157590

OIL LEAKAGE

Make sure that oil is not leaking from final drive assembly or around it.

OIL LEVEL

- Remove filler plug (1) and check oil level from filler plug mounting hole as shown in the figure.

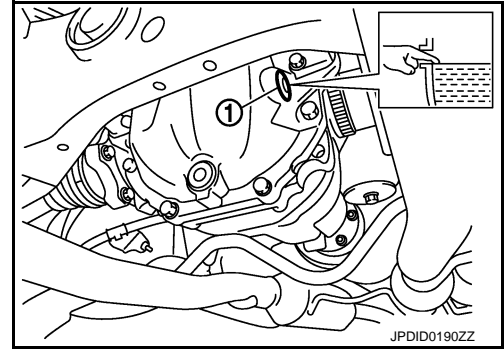
CAUTION:

Never start engine while checking oil level.

- Set a gasket on filler plug and install it on final drive assembly. Refer to [DLN-48, "M/T : Exploded View"](#) (M/T), [DLN-61, "A/T : Exploded View"](#) (A/T).

CAUTION:

Never reuse gasket.



JPDID0190ZZ

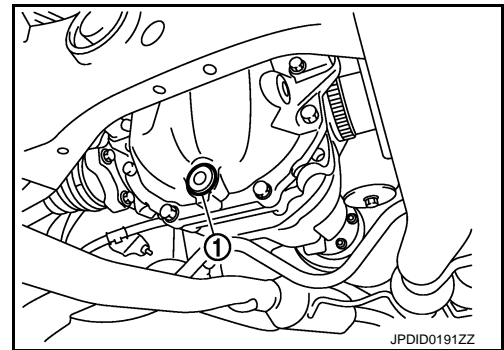
INFOID:000000008157591

Draining

- Stop the engine.
- Remove drain plug (1) and drain gear oil.
- Set a gasket on drain plug and install it to final drive assembly and tighten to the specified torque. Refer to [DLN-48, "M/T : Exploded View"](#) (M/T), [DLN-61, "A/T : Exploded View"](#) (A/T).

CAUTION:

Never reuse gasket.



JPDID0191ZZ

INFOID:000000008157592

Refilling

- Remove filler plug (1). Fill with new gear oil until oil level reaches the specified level near filler plug mounting hole.

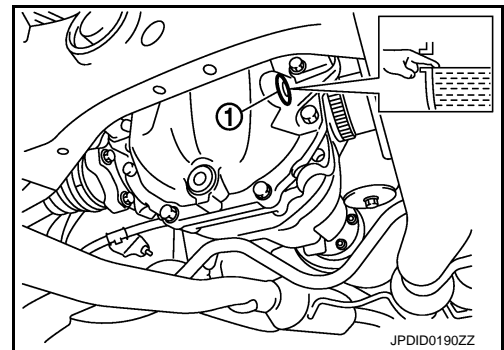
Oil grade and viscosity : Refer to [MA-10, "Fluids and Lubricants"](#).

Oil capacity : Refer to [DLN-90, "General Specification"](#).

- After refilling oil, check oil level. Set a gasket to filler plug, then install it to final drive assembly. Refer to [DLN-48, "M/T : Exploded View"](#) (M/T), [DLN-61, "A/T : Exploded View"](#) (A/T).

CAUTION:

Never reuse gasket.



JPDID0190ZZ

A
B
C
DLN
E
F
G
H
I
J
K
L
M
N
O
P

FRONT OIL SEAL

< REMOVAL AND INSTALLATION >

[REAR FINAL DRIVE: R200]

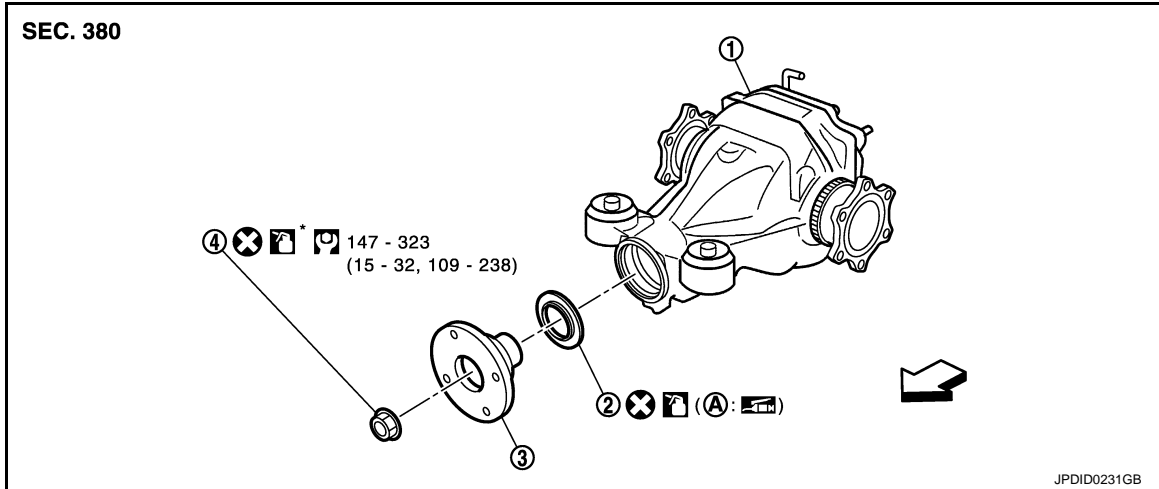
REMOVAL AND INSTALLATION

FRONT OIL SEAL

M/T

M/T : Exploded View

INFOID:000000008157593



1. Final drive assembly

2. Front oil seal

3. Companion flange

4. Drive pinion lock nut

A. Oil seal lip

↩: Vehicle front

: Apply gear oil.

*: Apply anti-corrosion oil.

Refer to [GI-4, "Components"](#) for symbols not described on the above.

M/T : Removal and Installation

INFOID:000000008157594

REMOVAL

CAUTION:

Verify identification stamp of replacement frequency put in the lower part of gear carrier to determine replacement for collapsible spacer when replacing front oil seal. Refer to "Identification stamp of replacement frequency of front oil seal". If collapsible spacer replacement is necessary, remove final drive assembly and disassemble it to replace front oil seal and collapsible spacer. Refer to [DLN-44, "M/T : Removal and Installation"](#) and [DLN-49, "M/T : Disassembly"](#).

NOTE:

The reuse of collapsible spacer is prohibited in principle. However, it is reusable on a one-time basis only in cases when replacing front oil seal.

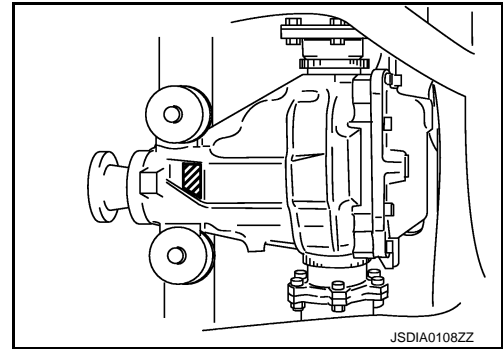
Identification stamp of replacement frequency of front oil seal

FRONT OIL SEAL

< REMOVAL AND INSTALLATION >

[REAR FINAL DRIVE: R200]

- The diagonally shaded area in the figure shows stamping point for replacement frequency of front oil seal.
- The following table shows if collapsible spacer replacement is needed before replacing front oil seal. When collapsible spacer replacement is required, disassemble final drive assembly to replace collapsible spacer and front oil seal. Refer to [DLN-49. "M/T : Disassembly"](#).



Stamp	collapsible spacer replacement
No stamp	Not required
"0" or "0" on the far right of stamp	Required
"01" or "1" on the far right of stamp	Not required

CAUTION:

Make a stamping after replacing front oil seal.

- After replacing front oil seal, make a stamping on the stamping point in accordance with the table below in order to identify replacement frequency.

CAUTION:

Make a stamping from left to right.

Stamp before stamping	Stamping on the far right	Stamping
No stamp	0	0
"0" (Front oil seal was replaced once.)	1	01
"01" (Collapsible spacer and front oil seal were replaced last time.)	0	010
"0" is on the far right. (Only front oil seal was replaced last time.)	1	...01
"1" is on the far right. (Collapsible spacer and front oil seal were replaced last time.)	0	...010

1. Drain gear oil. Refer to [DLN-29. "Draining"](#).
2. Make a judgment if a collapsible spacer replacement is required.
3. Remove center muffler with a power tool. Refer to [EX-5. "Exploded View"](#).
4. Remove rear wheel sensors. Refer to [BRC-113. "REAR WHEEL SENSOR : Exploded View"](#).
5. Remove drive shafts from final drive. Refer to [RAX-10. "Exploded View"](#).
6. Remove the side flanges. Refer to [DLN-40. "M/T : Exploded View"](#).

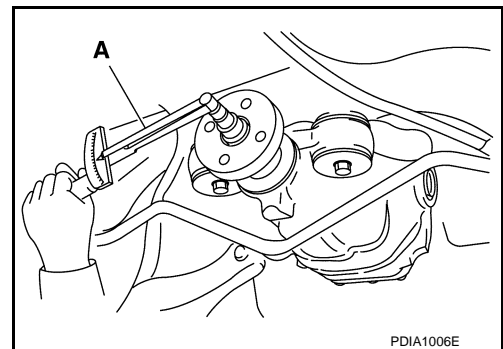
CAUTION:

Never damage side oil seal.

7. Remove rear propeller shaft. Refer to [DLN-6. "Exploded View"](#).
8. Measure the total preload with the preload gauge (A) [SST: ST3127S000 (J-25765-A)].

NOTE:

Record the preload measurement.



A
B
C
DLN
E
F
G
H
I
J
K
L
M
N
O
P

FRONT OIL SEAL

< REMOVAL AND INSTALLATION >

[REAR FINAL DRIVE: R200]

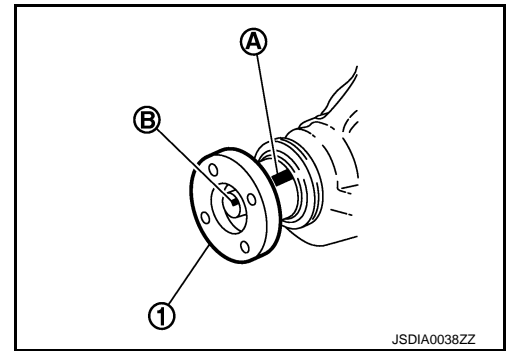
9. Put matching mark (B) on the end of the drive pinion. The matching mark should be in line with the matching mark (A) on companion flange (1).

CAUTION:

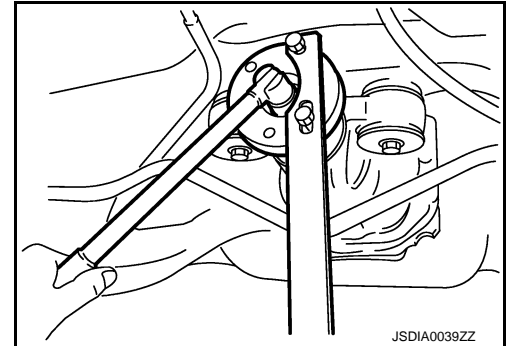
For matching mark, use paint. Never damage companion flange and drive pinion.

NOTE:

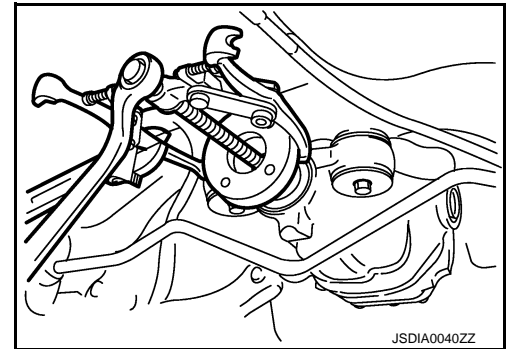
The matching mark on the final drive companion flange indicates the maximum vertical runout position.



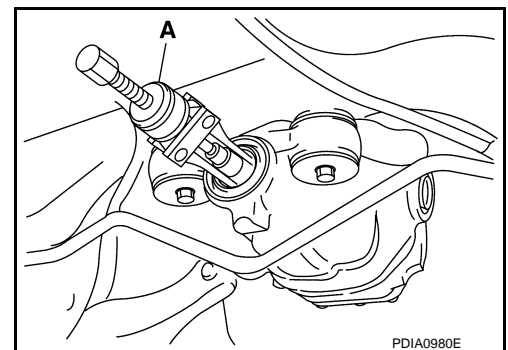
10. Remove drive pinion lock nut using the flange wrench (commercial service tool).



11. Remove companion flange using puller (commercial service tool).



12. Remove front oil seal using the puller (A) [SST: KV381054S0 (J-34286)].



INSTALLATION

FRONT OIL SEAL

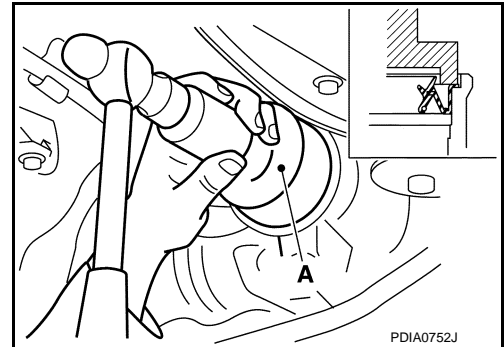
< REMOVAL AND INSTALLATION >

[REAR FINAL DRIVE: R200]

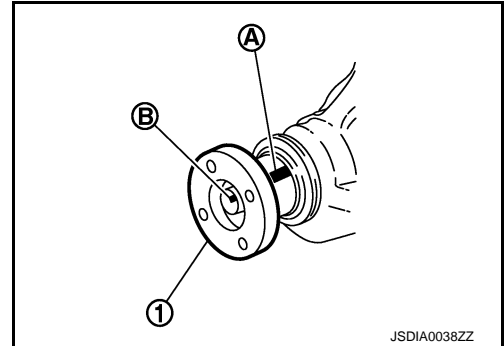
1. Install front oil seal using the drift (A) [SST: ST30720000 (J-25405)] as shown in figure.

CAUTION:

- Never reuse oil seal.
- Never incline oil seal when installing.
- Apply multi-purpose grease onto oil seal lip and gear oil the circumference of oil seal.



2. Align the matching mark (B) of drive pinion with the matching mark (A) of companion flange (1), and then install the companion flange.



3. Apply anti-corrosion oil to the thread and seat of new drive pinion lock nut, and temporarily tighten drive pinion lock nut to drive pinion, using flange wrench (commercial service tool).

A : Preload gauge [SST: ST3127S000 (J-25765-A)]

CAUTION:

Never reuse drive pinion lock nut.

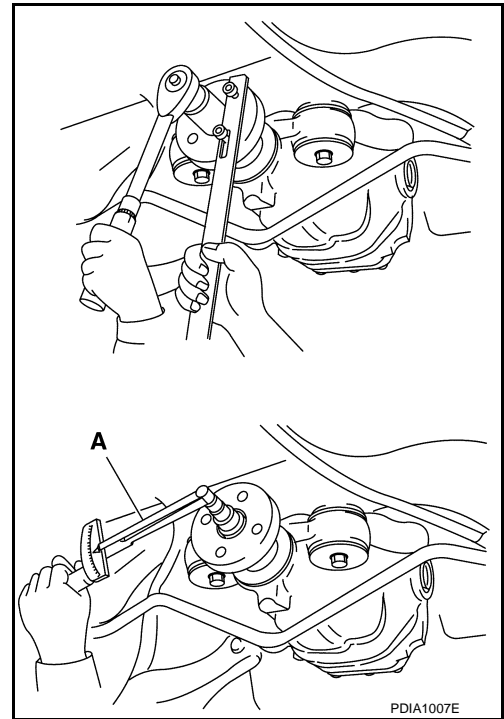
4. Tighten drive pinion lock nut within the limits of specified torque so as to keep the pinion bearing preload within a standard values, using preload gauge [SST: ST3127S000 (J-25765-A)].

Standard

Total preload torque : A value that add 0.1 – 0.4 N·m (0.01 – 0.04 kg·m, 0.9 – 3.5 in·lb) to the measured value before removing.

CAUTION:

- Adjust to the lower limit of the drive pinion lock nut tightening torque first.
- If the preload torque exceeds the specified value, replace collapsible spacer and tighten it again to adjust. Never loosen drive pinion lock nut to adjust the preload torque.

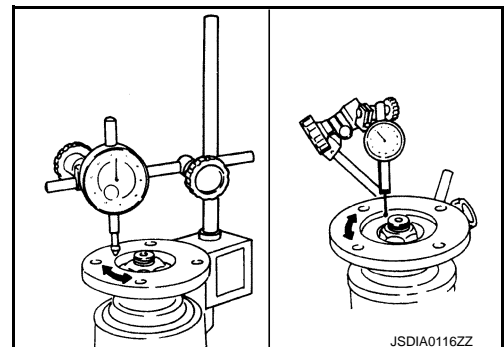


5. Fit a dial indicator onto the companion flange face (inner side of the propeller shaft bolt holes).
6. Rotate companion flange to check for runout.

Limit

Companion flange runout : Refer to [DLN-90, "Companion Flange Runout \(M/I\)"](#).

7. Fit a test indicator to the inner side of companion flange (socket diameter).



A
B
C
DLN
E
F
G
H
I
J
K
L
M
N
O
P

FRONT OIL SEAL

< REMOVAL AND INSTALLATION >

[REAR FINAL DRIVE: R200]

8. Rotate companion flange to check for runout.

Limit

Companion flange runout : Refer to [DLN-90, "Companion Flange Runout \(M/T\)"](#).

9. If the runout value is outside the runout limit, follow the procedure below to adjust.
 - a. Check for runout while changing the phase between companion flange and drive pinion by 90° step, and search for the position where the runout is the minimum.
 - b. If the runout value is still outside of the limit after the phase has been changed, possible cause will be an assembly malfunction of drive pinion and pinion bearing and malfunction of pinion bearing. Check for these items and repair if necessary.
 - c. If the runout value is still outside of the limit after the check and repair, replace companion flange.
10. Make a stamping for identification of front oil seal replacement frequency. Refer to "Identification stamp of replacement frequency of front oil seal".

CAUTION:

Make a stamping after replacing front oil seal.

11. Install rear propeller shaft. Refer to [DLN-6, "Exploded View"](#).
12. Install side flanges with the following procedure.
 - a. Attach the protector [SST: KV38107900 (J-39352)] to side oil seal.
 - b. After the side flange is inserted and the serrated part of side gear has engaged the serrated part of flange, remove the protector.
 - c. Put a suitable drift on the center of side flange, then drive it until sound changes.

NOTE:

When installation is completed, driving sound of the side flange turns into a sound that seems to affect the whole final drive.

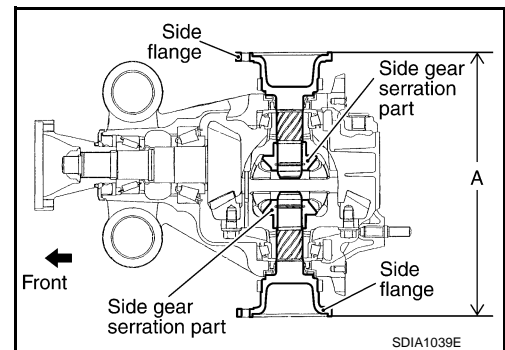
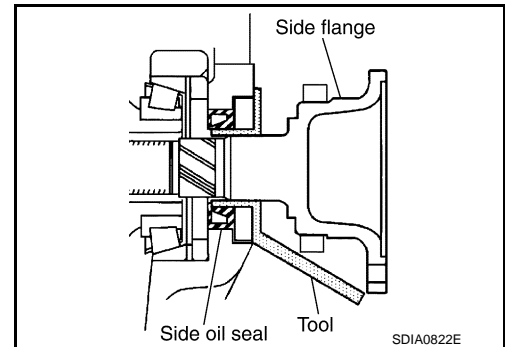
- d. Confirm that the dimension of the side flanges installation measurement (A) in the figure comes into the following.

Standard

A : 326 – 328 mm (12.83 – 12.91 in)

13. Install drive shafts. Refer to [RAX-10, "Exploded View"](#).
14. Install rear wheel sensors. Refer to [BRC-113, "REAR WHEEL SENSOR : Exploded View"](#).
15. Install center muffler. Refer to [EX-5, "Exploded View"](#).
16. Refill gear oil to the final drive and check oil level. Refer to [DLN-29, "Refilling"](#).
17. Check the final drive for oil leakage. Refer to [DLN-29, "Inspection"](#).

A/T



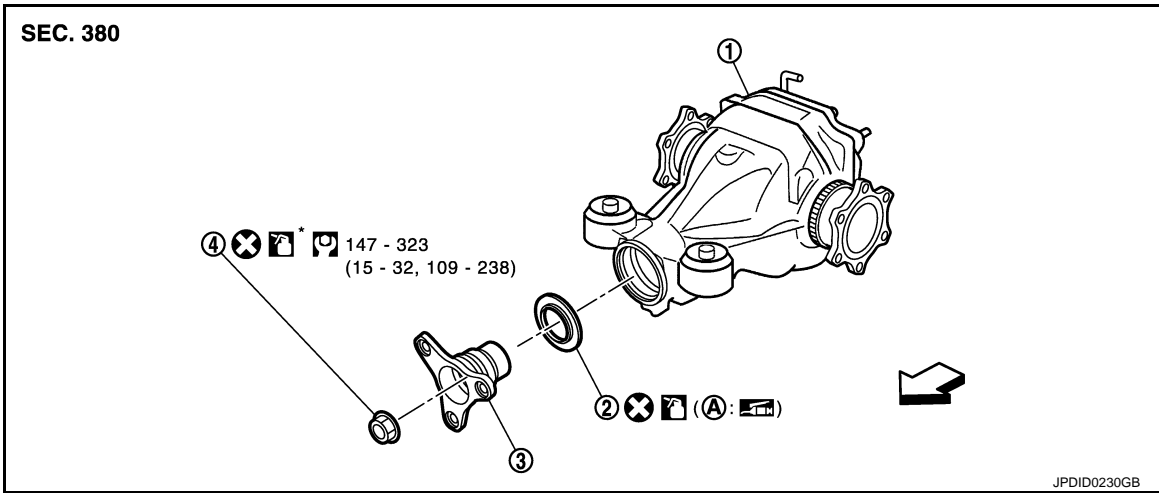
FRONT OIL SEAL

< REMOVAL AND INSTALLATION >

[REAR FINAL DRIVE: R200]

A/T : Exploded View

INFOID:000000008157595



- 1. Final drive assembly
- 2. Front oil seal
- 3. Companion flange
- 4. Drive pinion lock nut
- A. Oil seal lip

↔: Vehicle front

: Apply gear oil.

: Apply anti-corrosion oil.

Refer to [GI-4, "Components"](#) for symbols not described on the above.

A/T : Removal and Installation

INFOID:000000008157596

REMOVAL

CAUTION:

Verify identification stamp of replacement frequency put in the lower part of gear carrier to determine replacement for collapsible spacer when replacing front oil seal. Refer to "Identification stamp of replacement frequency of front oil seal". If collapsible spacer replacement is necessary, remove final drive assembly and disassemble it to replace front oil seal and collapsible spacer. Refer to [DLN-46, "A/T : Removal and Installation"](#) and [DLN-61, "A/T : Disassembly"](#).

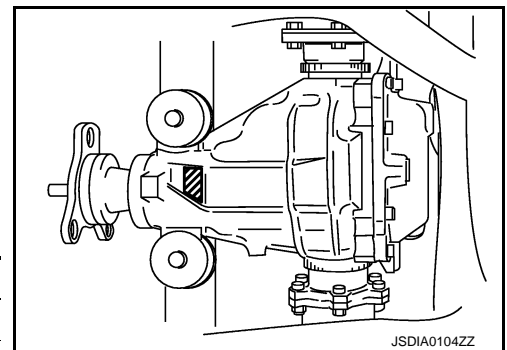
NOTE:

The reuse of collapsible spacer is prohibited in principle. However, it is reusable on a one-time basis only in cases when replacing front oil seal.

Identification stamp of replacement frequency of front oil seal.

- The diagonally shaded area in the figure shows stamping point for replacement frequency of front oil seal.
- The following table shows if collapsible spacer replacement is needed before replacing front oil seal. When collapsible spacer replacement is required, disassemble final drive assembly to replace collapsible spacer and front oil seal. Refer to [DLN-61, "A/T : Disassembly"](#).

Stamp	collapsible spacer replacement
No stamp	Not required
"0" or "0" on the far right of stamp	Required
"01" or "1" on the far right of stamp	Not required



CAUTION:

Make a stamping after replacing front oil seal.

FRONT OIL SEAL

< REMOVAL AND INSTALLATION >

[REAR FINAL DRIVE: R200]

- After replacing front oil seal, make a stamping on the stamping point in accordance with the table below in order to identify replacement frequency.

CAUTION:

Make a stamping from left to right.

Stamp before stamping	Stamping on the far right	Stamping
No stamp	0	0
"0" (Front oil seal was replaced once.)	1	01
"01" (Collapsible spacer and front oil seal were replaced last time.)	0	010
"0" is on the far right. (Only front oil seal was replaced last time.)	1	...01
"1" is on the far right. (Collapsible spacer and front oil seal were replaced last time.)	0	...010

1. Drain gear oil. Refer to [DLN-29, "Draining"](#).
2. Make a judgment if a collapsible spacer replacement is required.
3. Remove center muffler with a power tool. Refer to [EX-5, "Exploded View"](#).
4. Remove rear wheel sensors. Refer to [BRC-113, "REAR WHEEL SENSOR : Exploded View"](#).
5. Remove drive shafts from final drive. Refer to [RAX-10, "Exploded View"](#).
6. Remove the side flanges. Refer to [DLN-41, "A/T : Exploded View"](#).

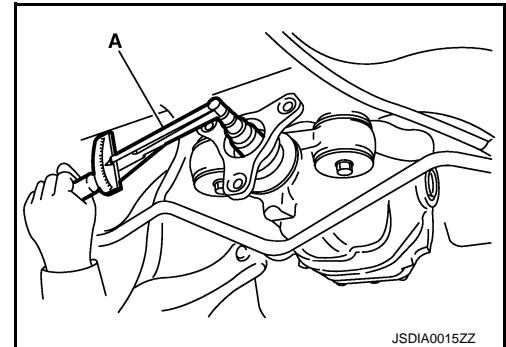
CAUTION:

Never damage side oil seal.

7. Remove rear propeller shaft. Refer to [DLN-14, "Exploded View"](#).
8. Measure the total preload with the preload gauge (A) [SST: ST3127S000 (J-25765-A)].

NOTE:

Record the preload measurement.



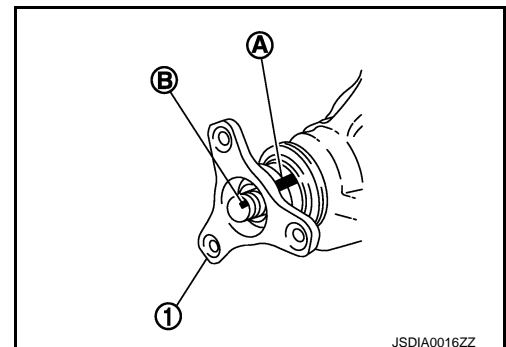
9. Put matching mark (B) on the end of the drive pinion. The matching mark should be in line with the matching mark (A) on companion flange (1).

CAUTION:

For matching mark, use paint. Never damage companion flange and drive pinion.

NOTE:

The matching mark on the final drive companion flange indicates the maximum vertical runout position.

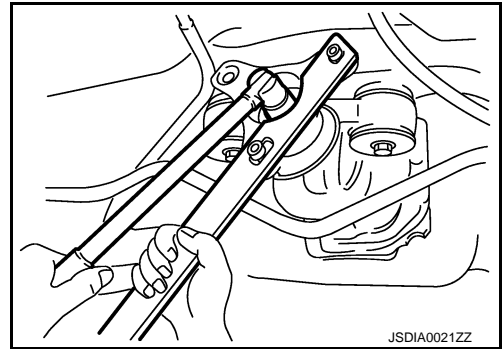


FRONT OIL SEAL

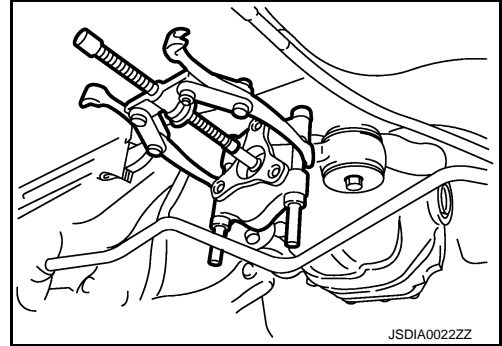
< REMOVAL AND INSTALLATION >

[REAR FINAL DRIVE: R200]

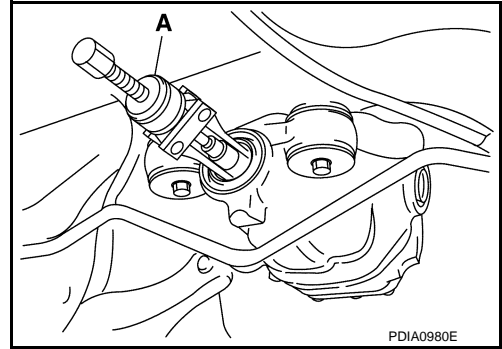
10. Remove drive pinion lock nut using the flange wrench (commercial service tool).



11. Remove companion flange using pullers (commercial service tool).



12. Remove front oil seal using the puller (A) [SST: KV381054S0 (J-34286)].

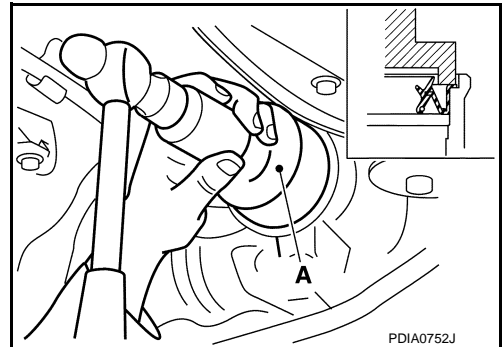


INSTALLATION

1. Apply multi-purpose grease to front oil seal lip.
2. Install front oil seal using the drift (A) [SST: ST30720000 (J-25405)] as shown in figure.

CAUTION:

- Never reuse oil seal.
- Never incline oil seal when installing.
- Apply multi-purpose grease onto oil seal lip and gear oil onto the circumference of oil seal.



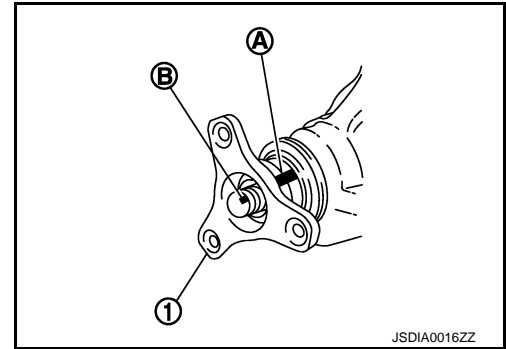
A
B
C
DLN
E
F
G
H
I
J
K
L
M
N
O
P

FRONT OIL SEAL

< REMOVAL AND INSTALLATION >

[REAR FINAL DRIVE: R200]

- Align the matching mark (B) of drive pinion with the matching mark (A) of companion flange (1), and then install the companion flange.



- Apply anti-corrosion oil to the thread and seat of new drive pinion lock nut, and temporarily tighten drive pinion lock nut to drive pinion, using flange wrench (commercial service tool).

A : Preload gauge [SST: ST3127S000 (J-25765-A)]

CAUTION:

Never reuse drive pinion lock nut.

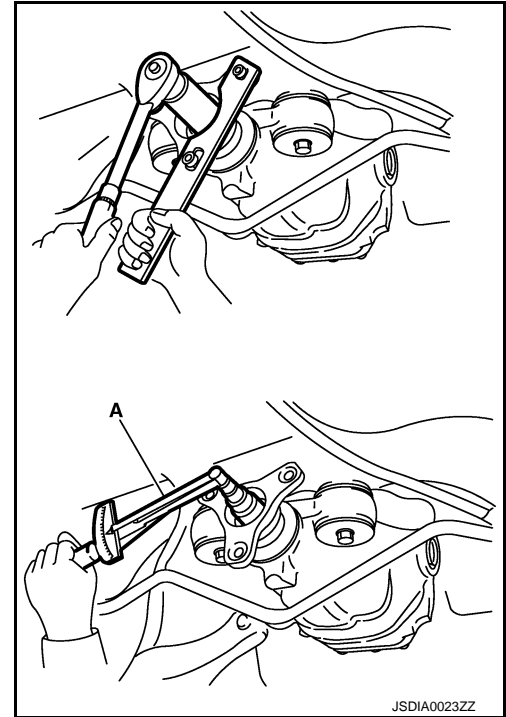
- Tighten drive pinion lock nut within the limits of specified torque so as to keep the pinion bearing preload within a standard values, using preload gauge [SST: ST3127S000 (J-25765-A)].

Standard

Total preload torque : A value that add 0.1 – 0.4 N·m (0.01 – 0.04 kg·m, 0.9 – 3.5 in·lb) to the measured value before removing.

CAUTION:

- Adjust to the lower limit of the drive pinion lock nut tightening torque first.
- If the preload torque exceeds the specified value, replace collapsible spacer and tighten it again to adjust. Never loosen drive pinion lock nut to adjust the preload torque.



- Set a dial indicator (A) vertically to the tip of the drive pinion.
- Rotate drive pinion to check for runout.

Limit

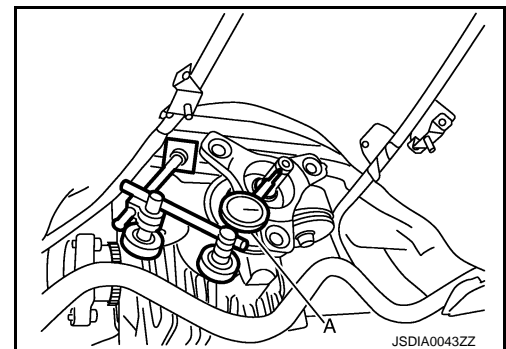
Drive pinion runout : Refer to [DLN-91, "Drive Pinion Runout \(A/T\)"](#).

- If the runout value is still outside of the limit after the phase has been changed, possible causes are an assembly malfunction of drive pinion and pinion bearing and malfunction of pinion bearing. Check for these items and repair if necessary.
- Make a stamping for identification of front oil seal replacement frequency. Refer to "Identification stamp of replacement frequency of front oil seal".

CAUTION:

Make a stamping after replacing front oil seal.

- Install rear propeller shaft. Refer to [DLN-14, "Exploded View"](#).



FRONT OIL SEAL

< REMOVAL AND INSTALLATION >

[REAR FINAL DRIVE: R200]

11. Install side flanges with the following procedure.
 - a. Attach the protector [SST: KV38107900 (J-39352)] to side oil seal.
 - b. After the side flange is inserted and the serrated part of side gear has engaged the serrated part of flange, remove the protector.
 - c. Put a suitable drift on the center of side flange, then drive it until sound changes.

NOTE:

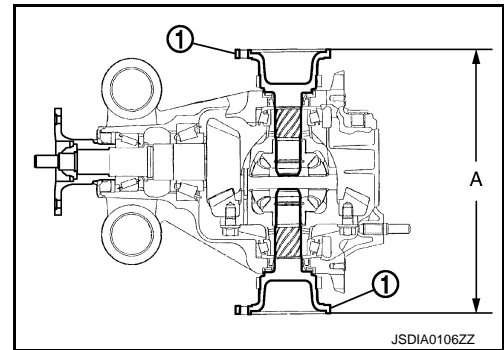
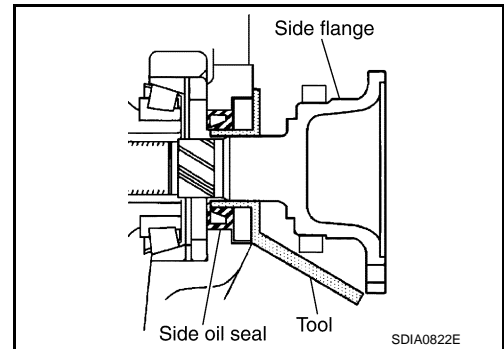
When installation is completed, driving sound of the side flange turns into a sound that seems to affect the whole final drive.

- d. Confirm that the dimension of the side flanges (1) installation measurement (A) in the figure comes into the following.

Standard

A : 326 – 328 mm (12.83 – 12.91 in)

12. Install drive shafts. Refer to [RAX-10, "Exploded View"](#).
13. Install rear wheel sensors. Refer to [BRC-113, "REAR WHEEL SENSOR : Exploded View"](#).
14. Install center muffler. Refer to [EX-5, "Exploded View"](#).
15. Refill gear oil to the final drive and check oil level. Refer to [DLN-29, "Refilling"](#).
16. Check the final drive for oil leakage. Refer to [DLN-29, "Inspection"](#).



A
B
C
DLN
E
F
G
H
I
J
K
L
M
N
O
P

SIDE OIL SEAL

< REMOVAL AND INSTALLATION >

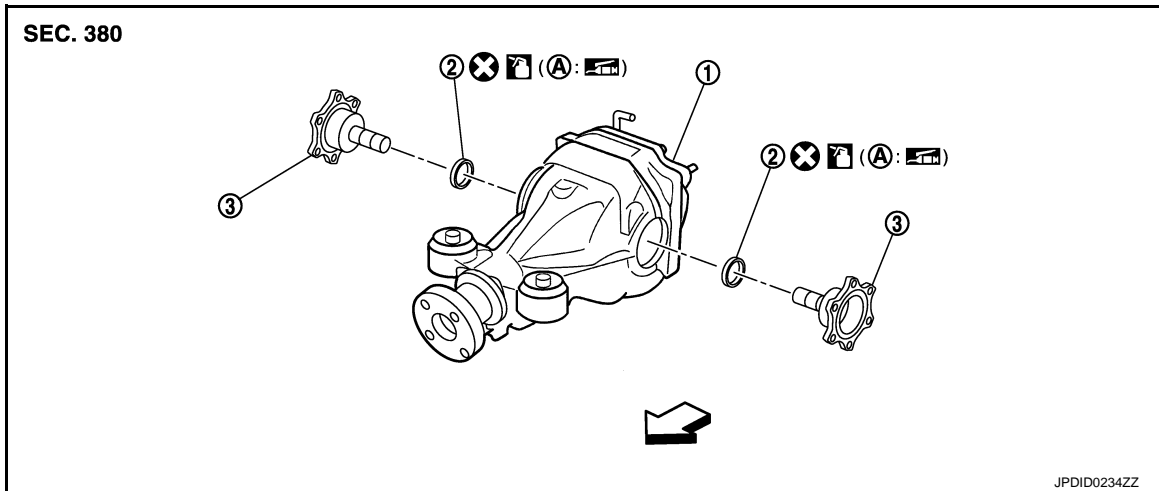
[REAR FINAL DRIVE: R200]

SIDE OIL SEAL

M/T

M/T : Exploded View

INFOID:000000008157597



1. Final drive assembly

2. Side oil seal

3. Side flange

A. Oil seal lip

↔: Vehicle front

: Apply gear oil.

Refer to [GI-4. "Components"](#) for symbols not described on the above.

M/T : Removal and Installation

INFOID:000000008157598

REMOVAL

1. Remove center muffler with a power tool. Refer to [EX-5. "Exploded View"](#).
2. Remove rear wheel sensor. Refer to [BRC-113. "REAR WHEEL SENSOR : Exploded View"](#).
3. Remove drive shaft from final drive with a power tool. Refer to [RAX-10. "Exploded View"](#).
4. Install attachment (A) to side flange, and then pull out the side flange with the sliding hammer (B).

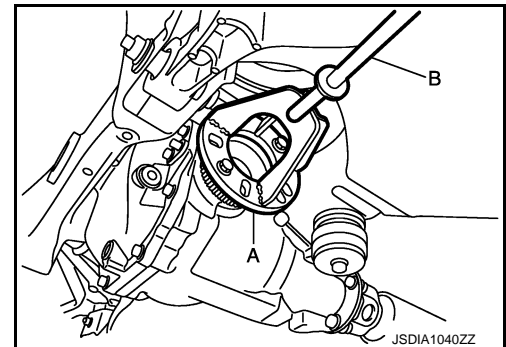
A : Attachment [SST: KV40104100 (—)]

B : Sliding hammer [SST: ST36230000 (J-25840-A)]

5. Remove side oil seal, using a suitable tool.

CAUTION:

Never damage gear carrier.



INSTALLATION

SIDE OIL SEAL

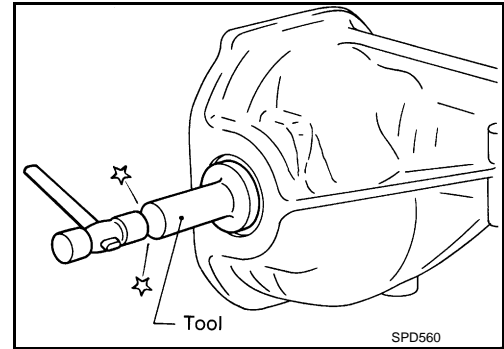
< REMOVAL AND INSTALLATION >

[REAR FINAL DRIVE: R200]

1. Install side oil seal until it becomes flush with the case end, using the drift [SST: KV38100200 (J-26233)].

CAUTION:

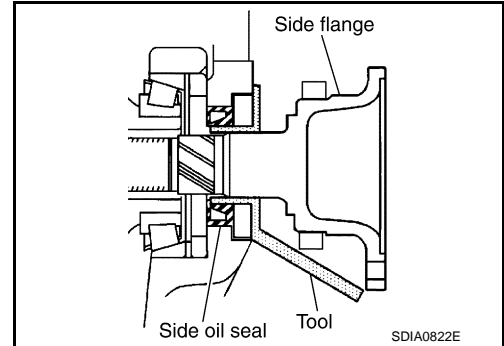
- Never reuse oil seal.
- When installing, never incline oil seal.
- Apply multi-purpose grease onto oil seal lip and gear oil onto the circumference of oil seal.



2. Install side flange with the following procedure.
 - a. Attach the protector [SST: KV38107900 (J-39352)] to side oil seal.
 - b. After the side flange is inserted and the serrated part of side gear has engaged the serrated part of flange, remove the protector.
 - c. Put a suitable drift on the center of side flange, then drive it until sound changes.

NOTE:

When installation is completed, driving sound of the side flange turns into a sound that seems to affect the whole final drive.

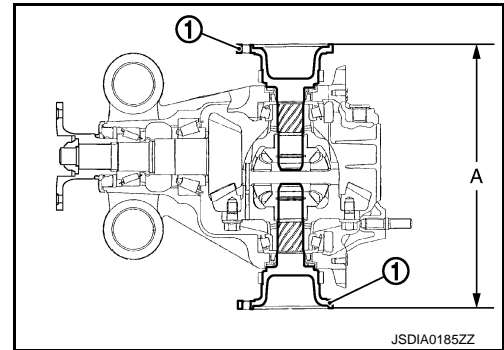


- d. Confirm that the dimension of the side flanges (1) installation measurement (A) in the figure comes into the following.

Standard

A : 326 – 328 mm (12.83 – 12.91 in)

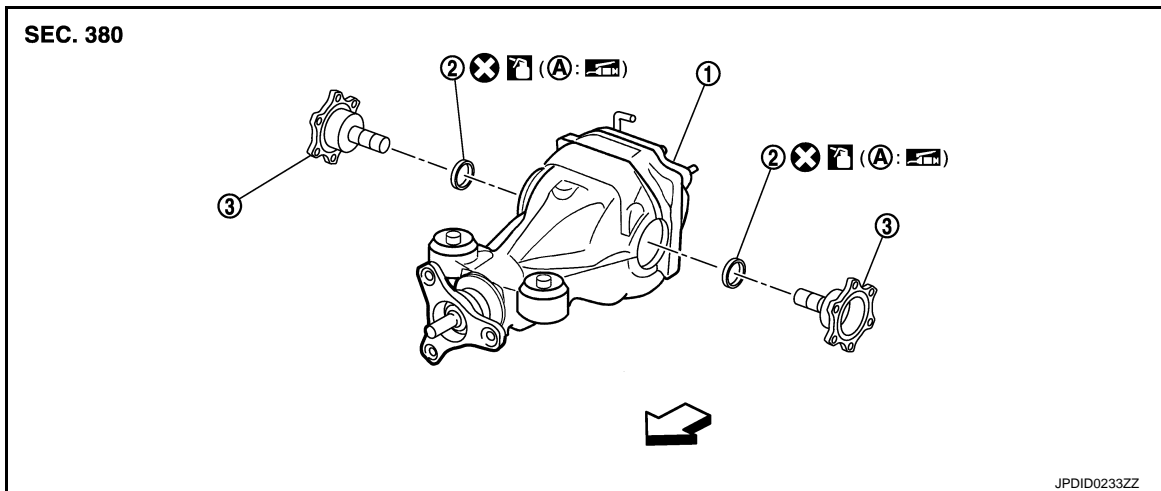
3. Install drive shaft. Refer to [RAX-10, "Exploded View"](#).
4. Install rear wheel sensor. Refer to [BRC-113, "REAR WHEEL SENSOR : Exploded View"](#).
5. Install center muffler. Refer to [EX-5, "Exploded View"](#).
6. When oil leaks while removing, check oil level after the installation. Refer to [DLN-29, "Inspection"](#).



A/T

A/T : Exploded View

INFOID:000000008157599




SIDE OIL SEAL

< REMOVAL AND INSTALLATION >

[REAR FINAL DRIVE: R200]

1. Final drive assembly
 - A. Oil seal lip
 2. Side oil seal
 3. Side flange
- ↶: Vehicle front

: Apply gear oil.

Refer to [GI-4, "Components"](#) for symbols not described on the above.

A/T : Removal and Installation

INFOID:000000008157600

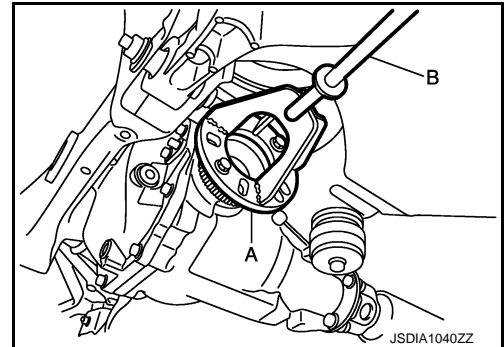
REMOVAL

1. Remove center muffler with a power tool. Refer to [EX-5, "Exploded View"](#).
2. Remove rear wheel sensor. Refer to [BRC-113, "REAR WHEEL SENSOR : Exploded View"](#).
3. Remove drive shaft from final drive with a power tool. Refer to [RAX-10, "Exploded View"](#).
4. Install attachment (A) to side flange, and then pull out the side flange with the sliding hammer (B).

- A : Attachment [SST: KV40104100 (—)]
B : Sliding hammer [SST: ST36230000 (J-25840-A)]

5. Remove side oil seal, using a suitable tool.

CAUTION:
Never damage gear carrier.

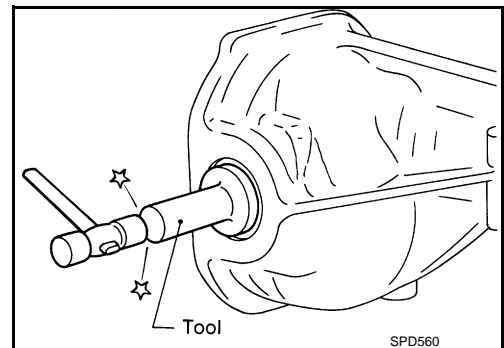


INSTALLATION

1. Install side oil seal until it becomes flush with the case end, using the drift [SST: KV38100200 (J-26233)].

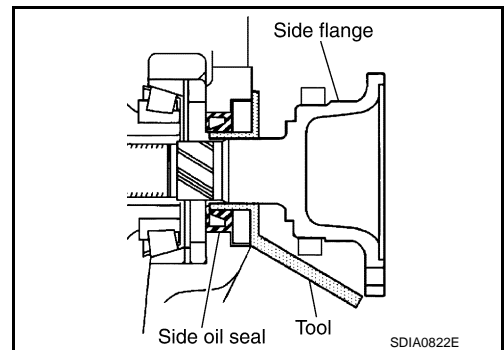
CAUTION:

- Never reuse oil seal.
- When installing, never incline oil seal.
- Apply multi-purpose grease onto oil seal lip and gear oil onto the circumference of oil seal.



2. Install side flange with the following procedure.
 - a. Attach the protector [SST: KV38107900 (J-39352)] to side oil seal.
 - b. After the side flange is inserted and the serrated part of side gear has engaged the serrated part of flange, remove the protector.
 - c. Put a suitable drift on the center of side flange, then drive it until sound changes.

NOTE:
When installation is completed, driving sound of the side flange turns into a sound that seems to affect the whole final drive.



SIDE OIL SEAL

< REMOVAL AND INSTALLATION >

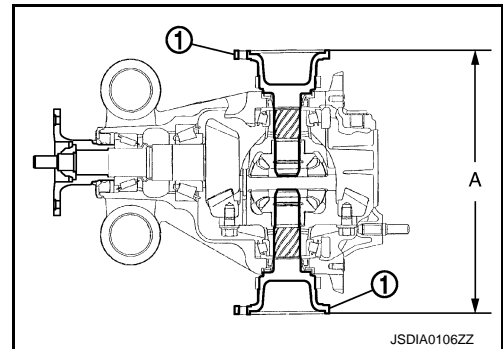
[REAR FINAL DRIVE: R200]

- d. Confirm that the dimension of the side flanges (1) installation measurement (A) in the figure comes into the following.

Standard

A : 326 – 328 mm (12.83 – 12.91 in)

3. Install drive shaft. Refer to [RAX-10, "Exploded View"](#).
4. Install rear wheel sensor. Refer to [BRC-113, "REAR WHEEL SENSOR : Exploded View"](#).
5. Install center muffler. Refer to [EX-5, "Exploded View"](#).
6. When oil leaks while removing, check oil level after the installation. Refer to [DLN-29, "Inspection"](#).



A
B
C

DLN

E
F
G
H
I
J
K
L
M
N
O
P

REAR FINAL DRIVE ASSEMBLY

< UNIT REMOVAL AND INSTALLATION >

[REAR FINAL DRIVE: R200]

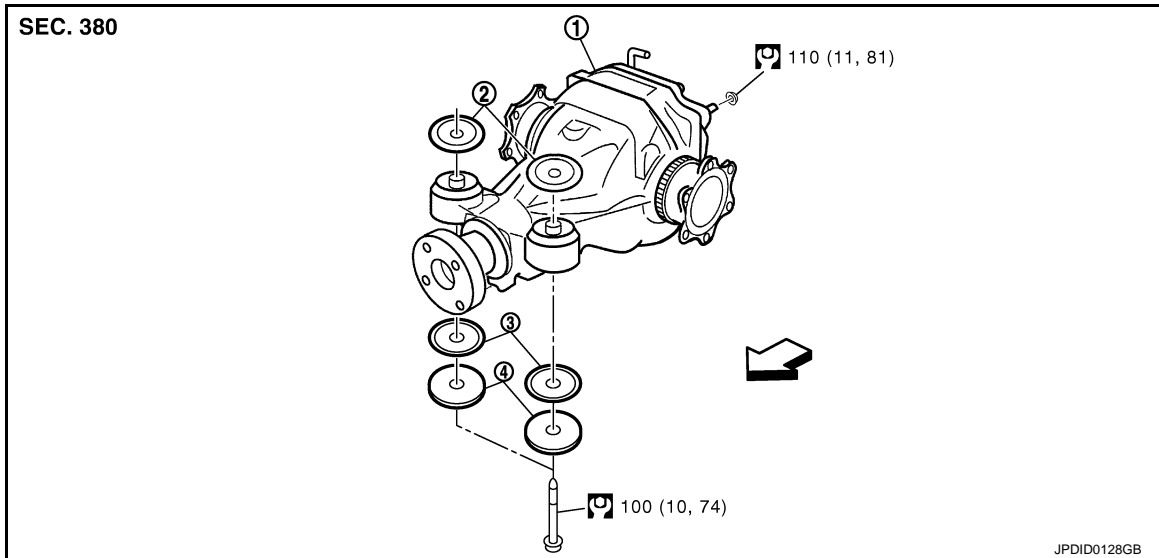
UNIT REMOVAL AND INSTALLATION

REAR FINAL DRIVE ASSEMBLY

M/T

M/T : Exploded View

INFOID:000000008157601



1. Rear final drive assembly
2. Upper stopper
3. Lower stopper
4. Washer

↶: Vehicle front

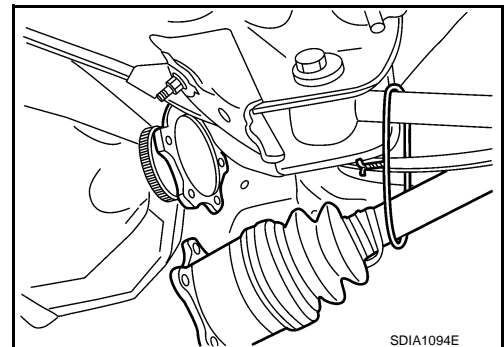
Refer to [GI-4. "Components"](#) for symbols in the figure.

M/T : Removal and Installation

INFOID:000000008157602

REMOVAL

1. Remove center muffler with a power tool. Refer to [EX-5. "Exploded View"](#).
2. Remove stabilizer bar with a power tool. Refer to [RSU-16. "Exploded View"](#).
3. Remove rear propeller shaft from the final drive. Refer to [DLN-6. "Exploded View"](#).
4. Remove diag brace with a power tool. Refer to [RSU-17. "Exploded View"](#).
5. Remove drive shafts from final drive with a power tool. Then suspend it by wire, etc. Refer to [RAX-10. "Exploded View"](#).
6. Remove breather hose from the final drive.
7. Remove rear wheel sensors. Refer to [BRC-113. "REAR WHEEL SENSOR : Exploded View"](#).



REAR FINAL DRIVE ASSEMBLY

< UNIT REMOVAL AND INSTALLATION >

[REAR FINAL DRIVE: R200]

8. Set a suitable jack to rear final drive assembly.

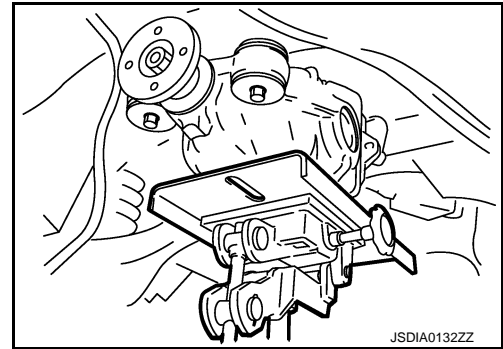
CAUTION:

Never place a jack on the rear cover (aluminum case).

9. Remove the mounting bolts and nuts connecting to the suspension member, and remove rear final drive assembly with a power tool.

CAUTION:

Secure rear final drive assembly to a suitable jack while removing it.



INSTALLATION

Note the following, and installation is in the reverse order of removal.

CAUTION:

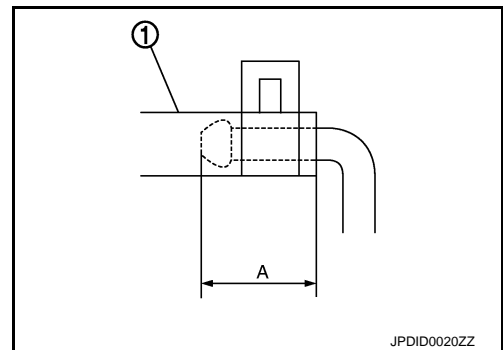
Make sure there are no pinched or restricted areas on the breather hose caused by bending or winding when installing it.

- Install the breather hose (1) to breather connector until dimension (A) shown as follows.

A:

Final drive side : 20 mm (0.79 in)

Suspension member side : 20.5 mm (0.807 in)



CAUTION:

- **Never reuse hose clamp.**
- **Install the hose clamp at the final drive side, with the tab facing downward.**
- **Install the hose clamp at the suspension member side, with the tab facing downward.**

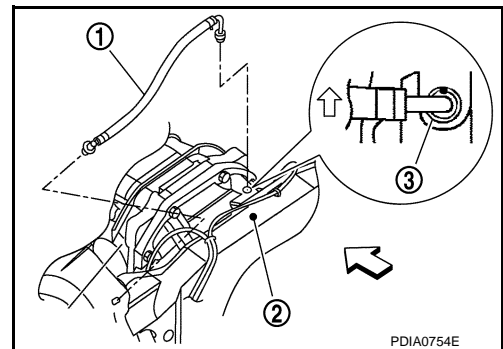
- If remove breather connector, install breather hose (1) as shown in the figure.

2 : Suspension member

3 : Metal connector

←: Vehicle front

- For installation, insert the breather connector to suspension member. Install metal connector to rear cover with aiming painted marking to the front of vehicle.



CAUTION:

Never reuse breather connector and metal connector.

- When oil leaks while removing final drive assembly, check oil level after the installation. Refer to [DLN-29, "Inspection"](#).

A/T

A
B
C
DLN
E
F
G
H
I
J
K
L
M
N
O
P

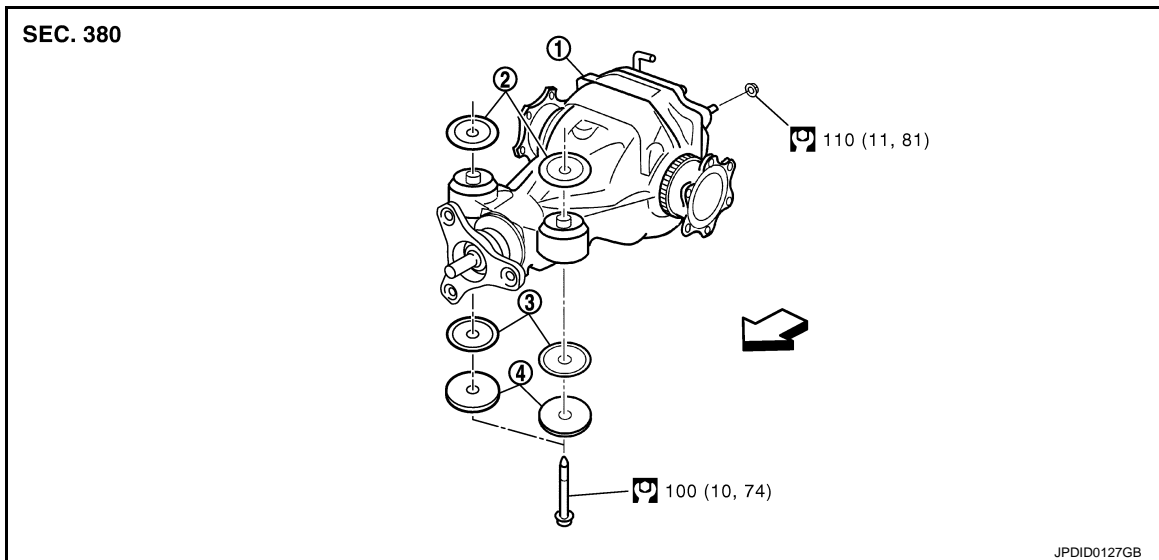
REAR FINAL DRIVE ASSEMBLY

< UNIT REMOVAL AND INSTALLATION >

[REAR FINAL DRIVE: R200]

A/T : Exploded View

INFOID:000000008157603



1. Rear final drive assembly
2. Upper stopper
3. Lower stopper
4. Washer

↩: Vehicle front

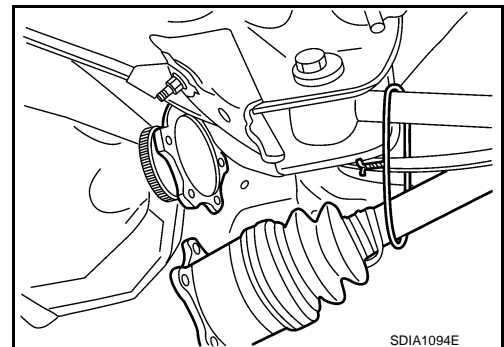
Refer to [GI-4, "Components"](#) for symbols in the figure.

A/T : Removal and Installation

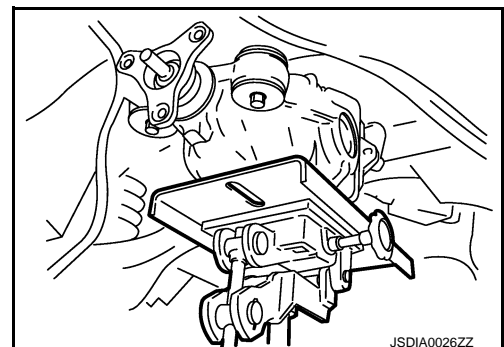
INFOID:000000008157604

REMOVAL

1. Remove center muffler with a power tool. Refer to [EX-5, "Exploded View"](#).
2. Remove stabilizer bar with a power tool. Refer to [RSU-16, "Exploded View"](#).
3. Remove rear propeller shaft from the final drive. Refer to [DLN-14, "Exploded View"](#).
4. Remove diag brace with a power tool. Refer to [RSU-17, "Exploded View"](#).
5. Remove drive shafts from final drive with a power tool. Then suspend it by wire, etc. Refer to [RAX-10, "Exploded View"](#).
6. Remove breather hose from the final drive.
7. Remove rear wheel sensors. Refer to [BRC-113, "REAR WHEEL SENSOR : Exploded View"](#).



8. Set a suitable jack to rear final drive assembly.
CAUTION:
Never place a jack on the rear cover (aluminum case).
9. Remove the mounting bolts and nuts connecting to the suspension member with a power tool. And then, remove rear final drive assembly.
CAUTION:
Secure rear final drive assembly to a suitable jack while removing it.



REAR FINAL DRIVE ASSEMBLY

< UNIT REMOVAL AND INSTALLATION >

[REAR FINAL DRIVE: R200]

INSTALLATION

Note the following, and installation is in the reverse order of removal.

CAUTION:

Make sure there are no pinched or restricted areas on the breather hose caused by bending or winding when installing it.

- Install the breather hose (1) to breather connector until dimension (A) shown as follows.

A:

Final drive side : 20 mm (0.79 in)

Suspension member side : 20.5 mm (0.807 in)

CAUTION:

- **Never reuse hose clamp.**
 - **Install the hose clamp at the final drive side, with the tab facing downward.**
 - **Install the hose clamp at the suspension member side, with the tab facing downward.**
- If remove breather connector, install breather hose (1) as shown in the figure.

2 : Suspension member

3 : Metal connector

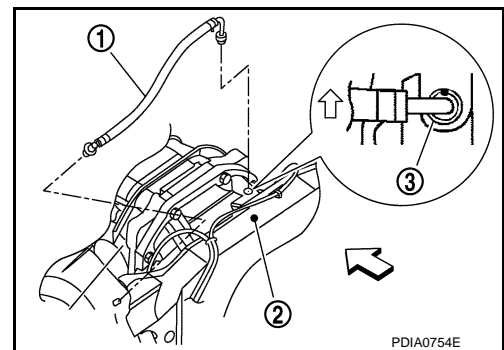
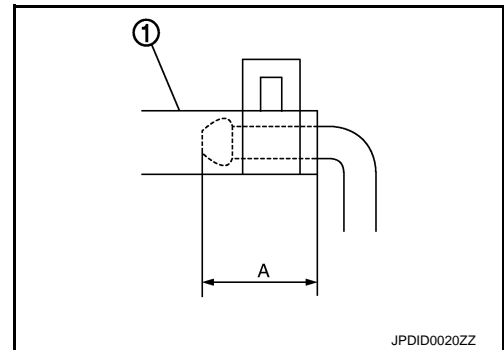
⇐: Vehicle front

- For installation, insert the breather connector to suspension member. Install metal connector to rear cover with aiming painted marking to the front of vehicle.

CAUTION:

Never reuse breather connector and metal connector.

- When oil leaks while removing final drive assembly, check oil level after the installation. Refer to [DLN-29, "Inspection"](#).



A
B
C
DLN
E
F
G
H
I
J
K
L
M
N
O
P

DIFFERENTIAL ASSEMBLY

< UNIT DISASSEMBLY AND ASSEMBLY >

[REAR FINAL DRIVE: R200]

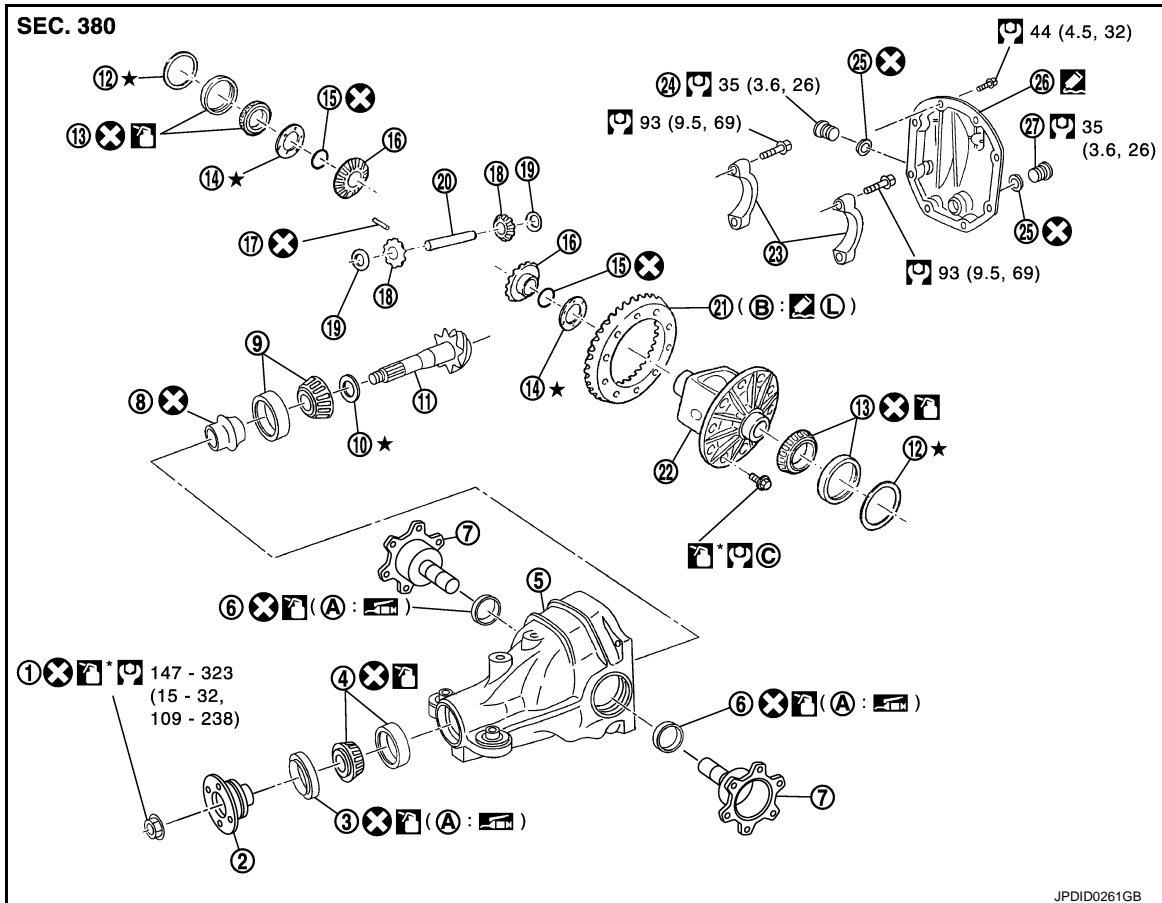
UNIT DISASSEMBLY AND ASSEMBLY

DIFFERENTIAL ASSEMBLY

M/T

M/T : Exploded View

INFOID:000000008157605



- | | | |
|------------------------------------|-----------------------------|-----------------------------------|
| 1. Drive pinion lock nut | 2. Companion flange | 3. Front oil seal |
| 4. Pinion front bearing | 5. Gear carrier | 6. Side oil seal |
| 7. Side flange | 8. Collapsible spacer | 9. Pinion rear bearing |
| 10. Pinion height adjusting washer | 11. Drive pinion | 12. Side bearing adjusting washer |
| 13. Side bearing | 14. Side gear thrust washer | 15. Circular clip |
| 16. Side gear | 17. Lock pin | 18. Pinion mate gear |
| 19. Pinion mate thrust washer | 20. Pinion mate shaft | 21. Drive gear |
| 22. Differential case | 23. Bearing cap | 24. Filler plug |
| 25. Gasket | 26. Rear cover | 27. Drain plug |
- A. Oil seal lip
B. Screw hole
C. Comply with the assembly procedure when tightening. Refer to [DLN-51, "M/T : Assembly"](#).

: Apply gear oil.


: Apply anti-corrosion oil.

: Apply Genuine Silicone RTV or equivalent. Refer to [GI-22, "Recommended Chemical Products and Sealants"](#).

DIFFERENTIAL ASSEMBLY

< UNIT DISASSEMBLY AND ASSEMBLY >

[REAR FINAL DRIVE: R200]

: Apply Genuine High Strength Thread Locking Sealant or equivalent. Refer to [GI-22, "Recommended Chemical Products and Sealants"](#).

Refer to [GI-4, "Components"](#) for symbols not described on the above.

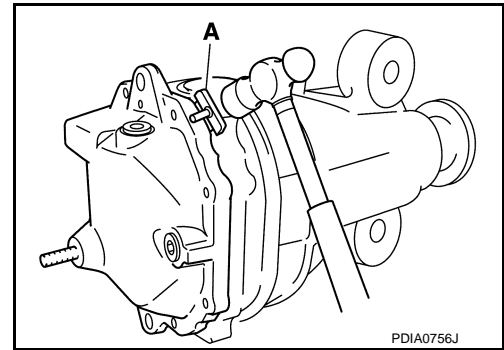
M/T : Disassembly

INFOID:000000008157606

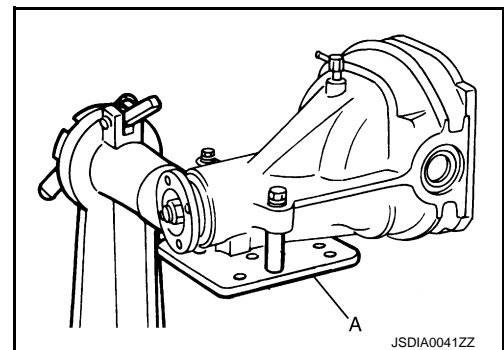
1. Drain gear oil, if necessary.
2. Remove side flanges.
3. Remove rear cover mounting bolts.
4. Remove rear cover to insert the seal cutter (A) [SST: KV10111100 (J-37228)] between gear carrier and rear cover.

CAUTION:

- Never damage the mating surface.
- Never insert flat-bladed screwdriver, this may damage the mating surface.



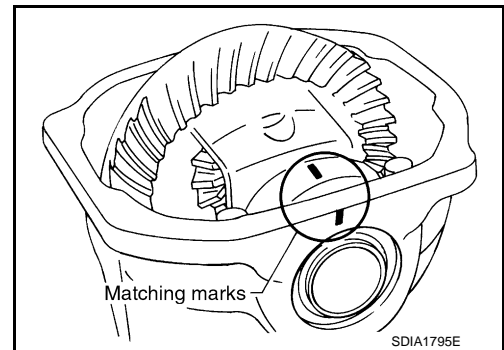
5. Using two spacers, mount carrier on the attachment (A) [SST: KV38100800 (J-25604-01)].



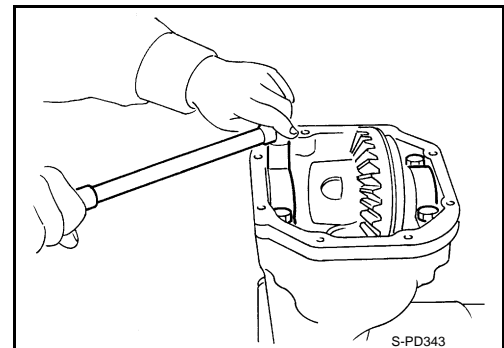
6. For proper reinstallation, paint matching marks on one side of the bearing cap.

CAUTION:

- For matching marks, use paint. Never damage bearing caps and gear carrier.
- Bearing caps are manufactured as integral molding. Use the matching marks to them in their original positions.



7. Remove bearing caps.



A

B

C

DLN

E

F

G

H

I

J

K

L

M

N

O

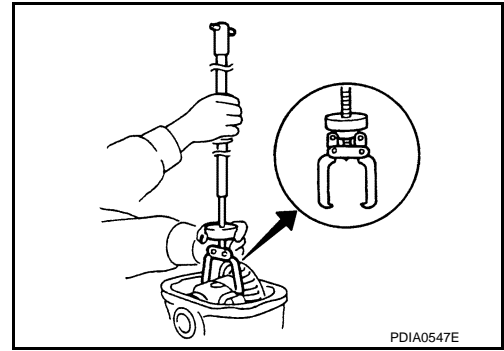
P

DIFFERENTIAL ASSEMBLY

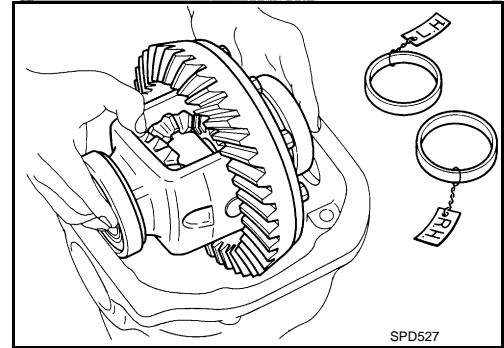
< UNIT DISASSEMBLY AND ASSEMBLY >

[REAR FINAL DRIVE: R200]

8. Lift differential case assembly out, using sliding hammer (commercial service tool).



9. Keep side bearing outer races together with inner race. Never mix them up.
Also, keep side bearing adjusting washers together with bearings.



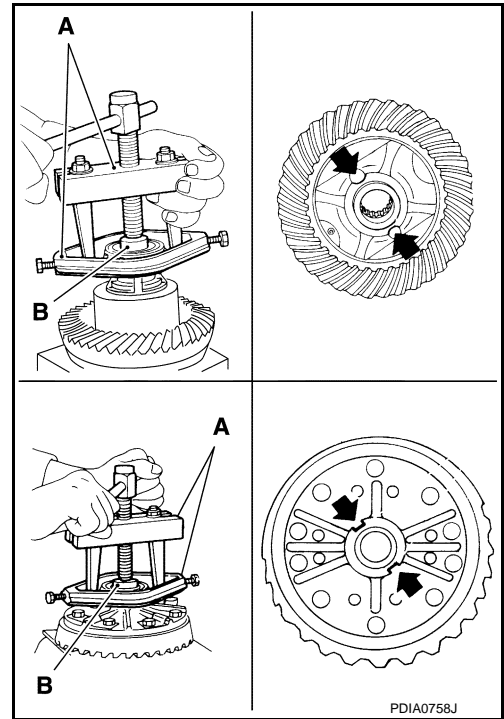
10. Remove side bearing inner race with puller (A) and base (B).
To prevent damage to bearing, engage puller jaws in groove (←→).

A : Puller [SST: ST33051001 (J-22888-20)]

B : Base [SST: ST33061000 (J-8107-2)]

CAUTION:

- To prevent damage to the side bearing and drive gear, place copper plates between these parts and vise.
- It is not necessary to remove side bearing inner race except when it is replaced.



11. For proper reinstallation, paint matching marks on one differential case assembly.

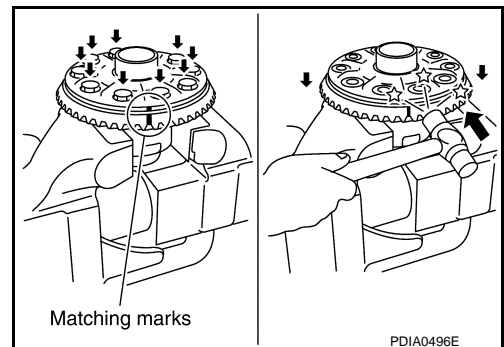
CAUTION:

For matching marks, use paint. Never damage differential case and drive gear.

12. Remove drive gear mounting bolts.
13. Tap drive gear off differential case assembly with a soft hammer.

CAUTION:

Tap evenly all around to keep drive gear from bending.

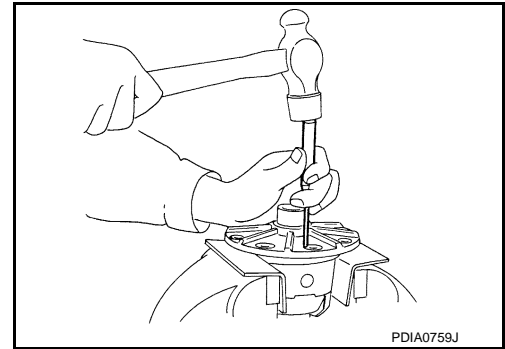


DIFFERENTIAL ASSEMBLY

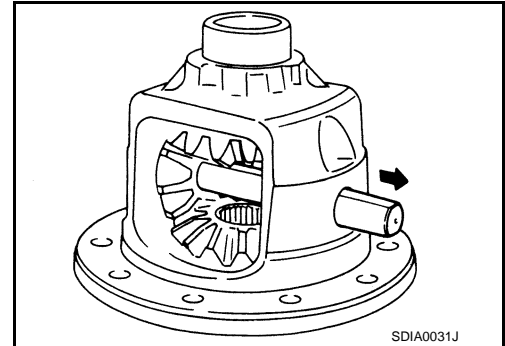
< UNIT DISASSEMBLY AND ASSEMBLY >

[REAR FINAL DRIVE: R200]

14. Remove lock pin of pinion mate shaft with a punch from drive gear side.



15. Remove pinion mate shaft.



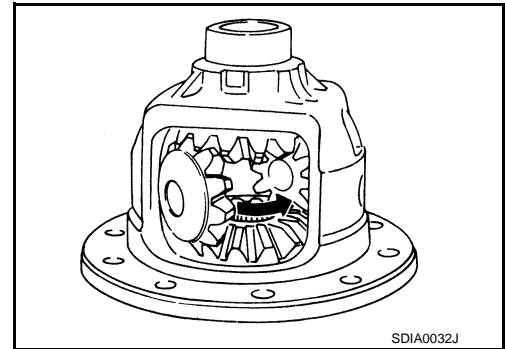
16. Turn pinion mate gear, then remove pinion mate gear, pinion mate thrust washer, side gear and side gear thrust washer from differential case.

17. Remove circular clip from side gear.

CAUTION:
Never damage side gear.

18. Remove side oil seal, using a suitable tool.

CAUTION:
Never damage gear carrier.



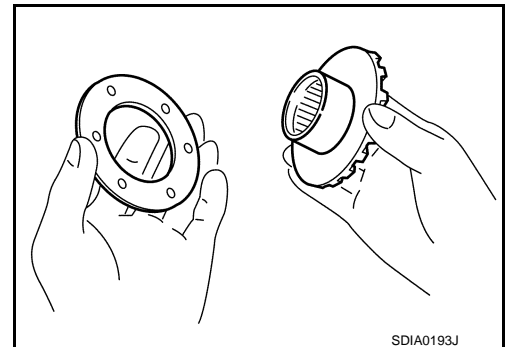
INFOID:000000008157607

M/T : Assembly

1. Install circular clip to side gear.

CAUTION:
Never damage side gear.

2. Install side gear thrust washers with the same thickness as the ones installed prior to disassembly or reinstall the old ones on the side gears.



A
B
C
DLN
E
F
G
H
I
J
K
L
M
N
O
P

DIFFERENTIAL ASSEMBLY

< UNIT DISASSEMBLY AND ASSEMBLY >

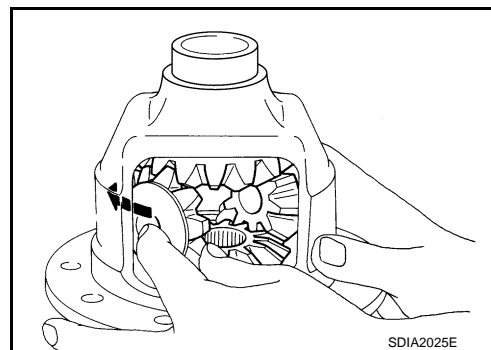
[REAR FINAL DRIVE: R200]

3. Install side gears and thrust washers into differential case.

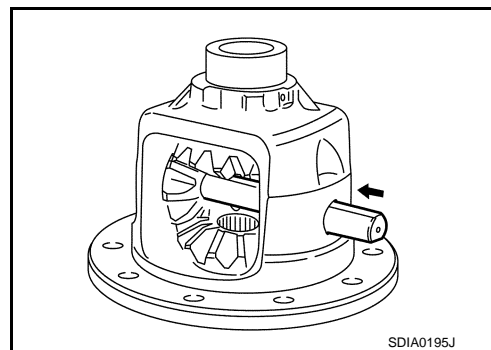
CAUTION:

- Make sure that the circular clip is installed to side gears.
- Never reuse circular clip.

4. Align 2 pinion mate gears in diagonally opposite positions, then rotate and install them into differential case after installing thrust washer to pinion mate gear.

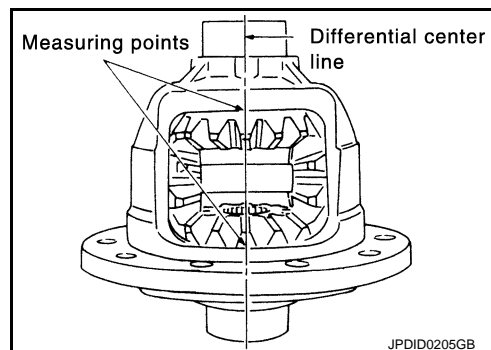


5. Align the lock pin holes on differential case with shaft, and install pinion mate shaft.



6. Measure side gear end play. If necessary, select the appropriate side gear thrust washers.

a. Place differential case straight up so that side gear to be measured comes upward.



DIFFERENTIAL ASSEMBLY

< UNIT DISASSEMBLY AND ASSEMBLY >

[REAR FINAL DRIVE: R200]

- b. Using feeler gauge, measure the clearance between side gear back and differential case at 3 different points, while rotating side gear. Average the 3 readings, and then measure the clearance of the other side as well.

Standard

Side gear back clearance : Refer to [DLN-90, "Differential Side Gear Clearance"](#).

CAUTION:

To prevent side gear from tilting, insert feeler gauges with the same thickness from both sides.

- c. If the back clearance is outside the specification, use a thicker/thinner side gear thrust washer to adjust. For selecting thrust washer, refer to the latest parts information.

When the back clearance is large: Use a thicker thrust washer.

When the back clearance is small: Use a thinner thrust washer.

CAUTION:

Select a side gear thrust washer for right and left individually.

7. Drive a lock pin into pinion mate shaft, using a punch. Make sure lock pin is flush with differential case.

CAUTION:

Never reuse lock pin.

8. Apply thread locking sealant into the thread hole of drive gear. Use Genuine High Strength Thread Locking Sealant or equivalent. Refer to [GI-22, "Recommended Chemical Products and Sealants"](#).

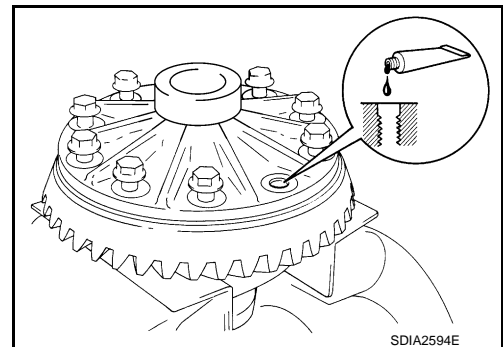
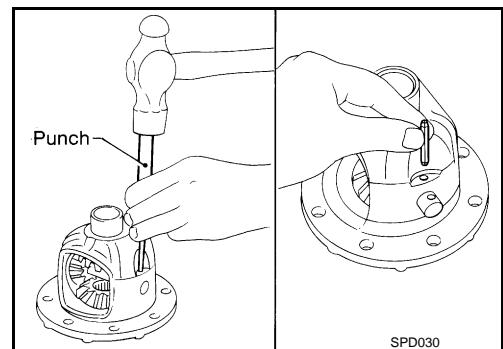
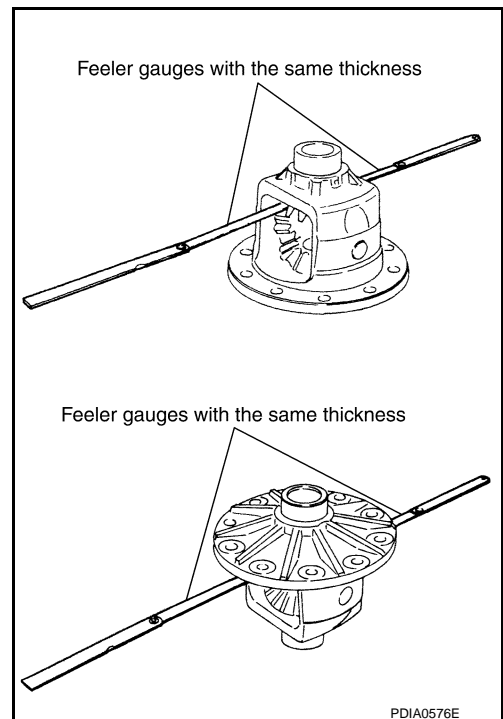
CAUTION:

Clean and degrease drive gear back and threaded holes sufficiently.

9. Install the drive gear to differential case.

CAUTION:

Align the matching marks of differential case and drive gear.



A
B
C
DLN
E
F
G
H
I
J
K
L
M
N
O
P

DIFFERENTIAL ASSEMBLY

< UNIT DISASSEMBLY AND ASSEMBLY >

[REAR FINAL DRIVE: R200]

10. Tighten the mounting bolts with the following procedure.

CAUTION:

Apply anti-corrosion oil to the thread and seat of mounting bolts.

a. Tighten the bolts in a crisscross fashion to the specified torque.

Drive gear mounting bolts tightening torque : 78.5 N•m (8.0 kg-m, 58 ft-lb)

b. Tighten the bolts additionally at the specified angle.

Drive gear mounting bolts tightening angle : 31 to 36 degree

CAUTION:

Check the tightening angle using the angle wrench [SST: KV10112100 (BT-8653-A)]. Never make judgment by visual inspection.

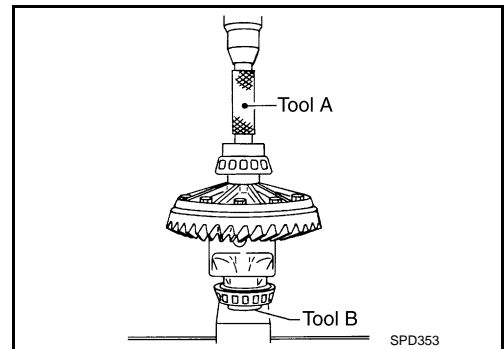
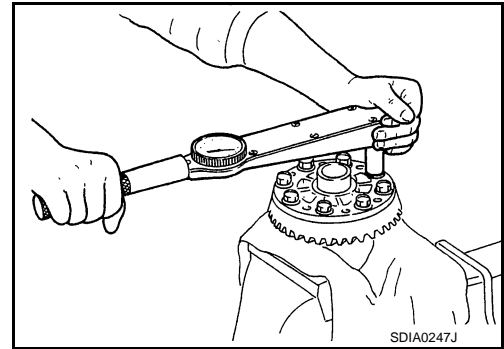
11. Press side bearing inner races to differential case, using the drift (A) and the base (B).

A : Drift [SST: KV38100300 (J-25523)]

B : Base [SST: ST33061000 (J-8107-2)]

CAUTION:

Never reuse side bearing inner race.

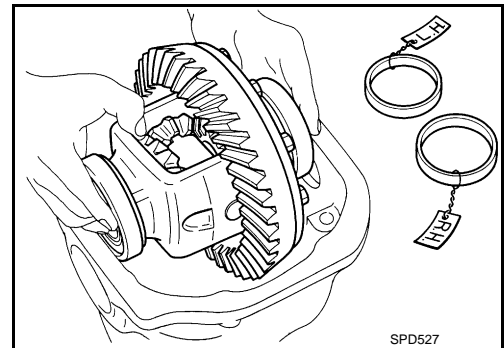


12. Set bearing outer races to differential case assembly, and install it with removed side bearing adjusting washer or same thickness washer into gear carrier.

CAUTION:

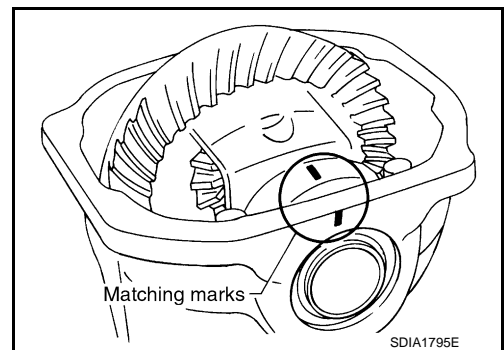
- Apply differential gear oil to the side bearings.
- Install side bearing and side bearing adjusting washer in correct location. (drive gear tooth side or drive gear back side)

13. Measure side bearing preload. If necessary, select the appropriate side bearing adjusting washers. Refer to [DLN-55. "M/T : Adjustment"](#).



14. Align matching marks on bearing cap with that on gear carrier.

15. Install bearing caps and tighten bearing cap mounting bolts.



DIFFERENTIAL ASSEMBLY

< UNIT DISASSEMBLY AND ASSEMBLY >

[REAR FINAL DRIVE: R200]

16. Using the drift [SST: KV38100200 (J-26233)], drive side oil seals until it becomes flush with the case end.

CAUTION:

- Never reuse oil seal.
- When installing, never incline oil seal.
- Apply multi-purpose grease onto oil seal lips, and gear oil onto the circumference of oil seal.

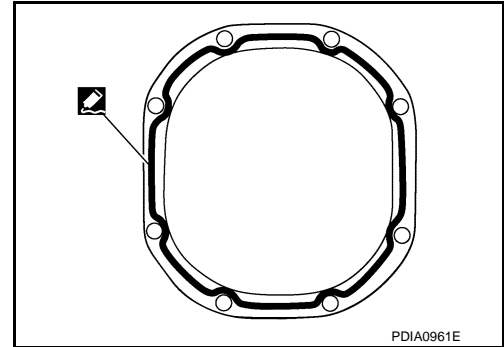
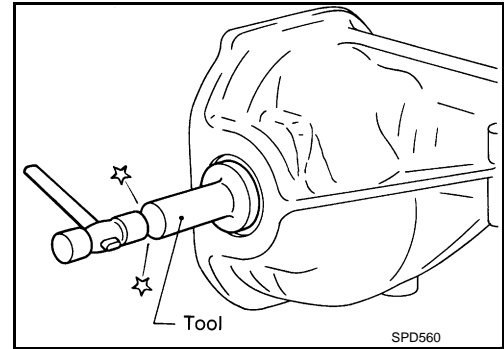
17. Check and adjust drive gear runout, tooth contact, drive gear to drive pinion backlash, and total preload torque. Refer to [DLN-55, "M/T : Adjustment"](#).
Recheck above items. Readjust the above description, if necessary.

18. Apply sealant to mating surface of rear cover. Use Genuine Silicone RTV or equivalent. Refer to [GI-22, "Recommended Chemical Products and Sealants"](#).

CAUTION:

Remove old sealant adhering to mounting surfaces. Also remove any moisture, oil, or foreign material adhering to application and mounting surfaces.

19. Install rear cover on gear carrier and tighten mounting bolts.

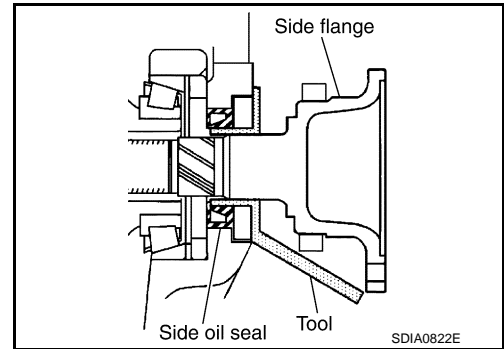


20. Install side flanges with the following procedure.

- Attach the protector [SST: KV38107900 (J-39352)] to side oil seal.
- After the side flange is inserted and the serrated part of side gear has engaged the serrated part of flange, remove the protector.
- Put a suitable drift on the center of side flange, then drive it until sound changes.

NOTE:

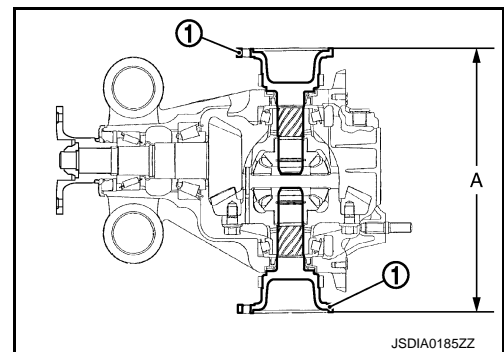
When installation is completed, driving sound of the side flange turns into a sound that seems to affect the whole final drive.



- Confirm that the dimension of the side flanges (1) installation measurement (A) in the figure comes into the following.

Standard

A : 326 – 328 mm (12.83 – 12.91 in)



M/T : Adjustment

TOTAL PRELOAD TORQUE

Before inspection and adjustment, drain gear oil.

1. Secure final drive assembly onto an attachment [SST: KV38100800 (J-25604-01)].
2. Remove side flanges.
3. Rotate drive pinion back and forth 2 to 3 times to check for unusual noise and rotation malfunction.
4. Rotate drive pinion at least 20 times to check for smooth operation of the bearing.

INFOID:000000008157608

DIFFERENTIAL ASSEMBLY

< UNIT DISASSEMBLY AND ASSEMBLY >

[REAR FINAL DRIVE: R200]

5. Measure total preload, using the preload gauge (A) [SST: ST3127S000 (J-25765-A)].

Standard

Total preload torque

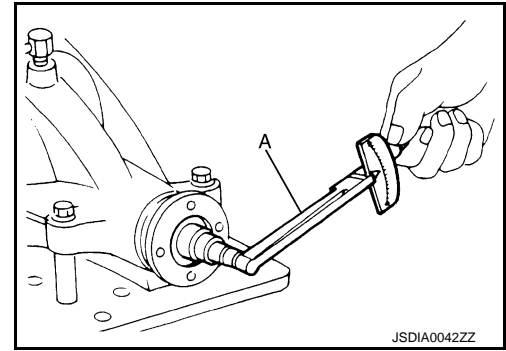
: Refer to [DLN-90, "Preload Torque"](#).

NOTE:

Total preload torque = Pinion bearing preload torque + Side bearing preload torque

- If measured value is out of the specification, disassemble it to check and adjust each part. Adjust the pinion bearing preload and side bearing preload.

Adjust the pinion bearing preload first, then adjust the side bearing preload.



When the preload torque is large

On pinion bearings: Replace the collapsible spacer.

On side bearings: Use thinner side bearing adjusting washers by the same amount to each side. For selecting adjusting washer, refer to the latest parts information.

When the preload is small

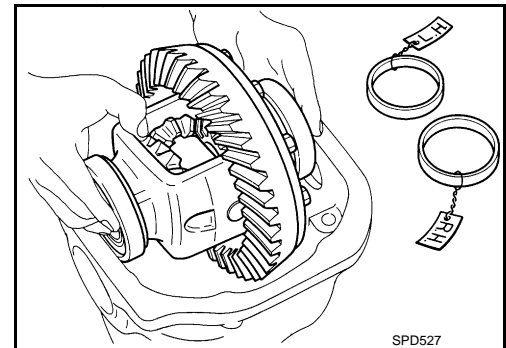
On pinion bearings: Tighten the drive pinion lock nut.

On side bearings: Use thicker side bearing adjusting washers by the same amount to each side. For selecting adjusting washer, refer to the latest parts information.

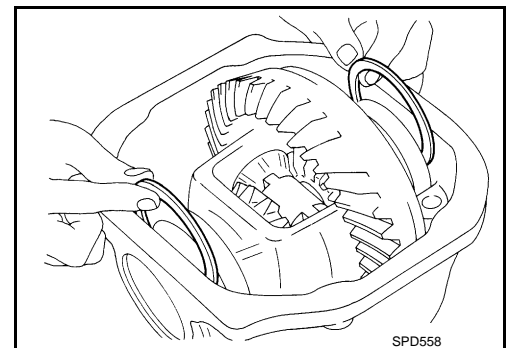
SIDE BEARING PRELOAD

Before inspection and adjustment, drain gear oil.

1. Remove rear cover. Refer to [DLN-49, "M/T : Disassembly"](#).
2. Make sure all parts are clean. Also, make sure the bearings are well lubricated with gear oil.
3. Place the differential case, with side bearings and bearing races installed, into gear carrier.



4. Insert left and right original side bearing adjusting washers in place between side bearings and gear carrier.

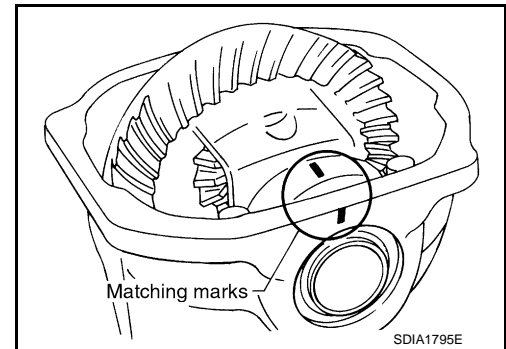


DIFFERENTIAL ASSEMBLY

< UNIT DISASSEMBLY AND ASSEMBLY >

[REAR FINAL DRIVE: R200]

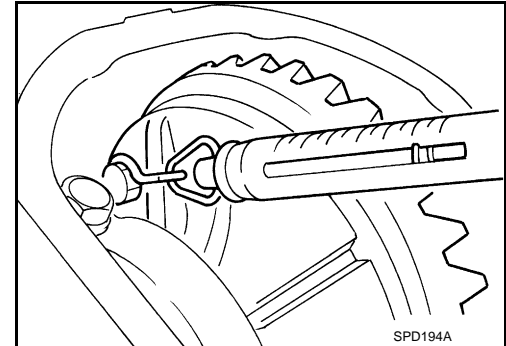
5. Install bearing caps in their correct locations and tighten bearing cap mounting bolts.
6. Turn the carrier several times to seat the bearings.



7. Measure the turning torque of the carrier at the drive gear mounting bolts with a spring gauge [SST: — (J-8129)].

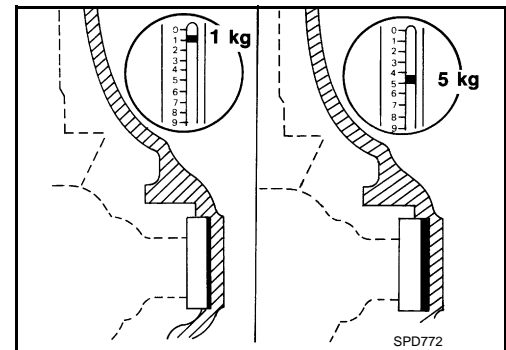
Standard Specification

: 34.2 – 39.2 N (3.5 – 4.0 kg, 7.7 – 8.8 lb) of pulling force at the drive gear bolt



8. If the turning torque is outside the specification, use a thicker/thinner side bearing adjusting washer to adjust. For selecting adjusting washer, refer to the latest parts information.

If the turning torque is less than the specified range: Use a thicker adjusting washer.
If the turning torque is greater than the specification: Use a thinner adjusting washer.



CAUTION:

Select a side bearing adjusting washer for right and left individually.

9. Record the total amount of washer thickness required for the correct carrier side bearing preload.

DRIVE GEAR RUNOUT

1. Remove rear cover. Refer to [DLN-49, "M/T : Disassembly"](#).
2. Fit a dial indicator to the drive gear back face.
3. Rotate the drive gear to measure runout.

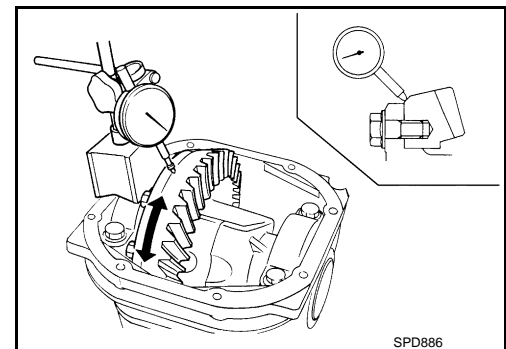
Limit

Drive gear runout : Refer to [DLN-90, "Drive Gear Runout"](#).

- If the runout is outside of the repair limit, check drive gear assembly condition; foreign material may be caught between drive gear and differential case, or differential case or drive gear may be deformed, etc.

CAUTION:

Replace drive gear and drive pinion gear as a set.



TOOTH CONTACT

Before inspection and adjustment, drain gear oil.

1. Remove rear cover. Refer to [DLN-49, "M/T : Disassembly"](#).

A
B
C
DLN
E
F
G
H
I
J
K
L
M
N
O
P

DIFFERENTIAL ASSEMBLY

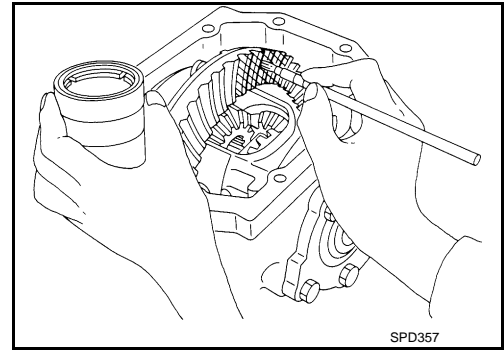
< UNIT DISASSEMBLY AND ASSEMBLY >

[REAR FINAL DRIVE: R200]

2. Apply red lead to drive gear.

CAUTION:

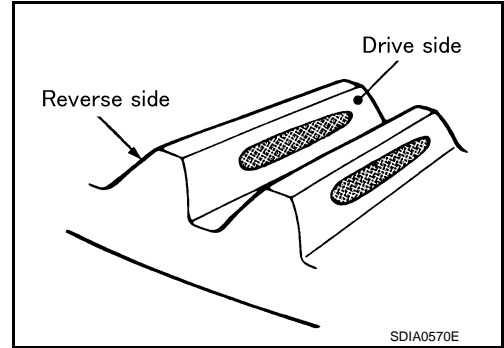
Apply red lead to both the faces of 3 to 4 gears at 4 locations evenly spaced on drive gear.



3. Rotate drive gear back and forth several times, check drive pinion gear to drive gear tooth contact.

CAUTION:

Check tooth contact on drive side and reverse side.



Tooth contact condition		Pinion height adjusting washer selection valve [mm (in)]	Adjustment (Yes/No)	Possible cause	
Drive side	Back side				
Heel side 	Toe side 	↑ Thicker	Yes	Occurrence of noise and scoring sound in all speed ranges.	
				+0.06 (+0.0024)	Occurrence of noise when accelerating.
				+0.03 (+0.0012)	
		0	No	-	
		↓ Thinner	Yes		
				-0.03 (-0.0012)	
				-0.06 (-0.0024)	Occurrence of noise at constant speed and decreasing speed.
		-0.09 (-0.0035)		Occurrence of noise and scoring sound in all speed ranges.	

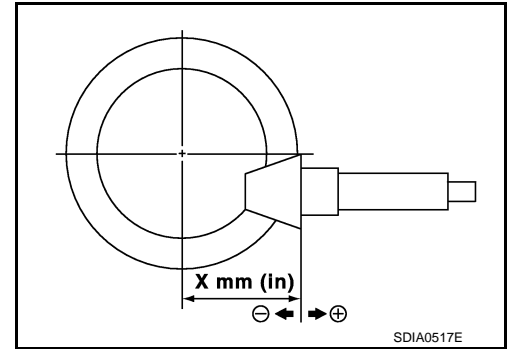
SDIA0207E

DIFFERENTIAL ASSEMBLY

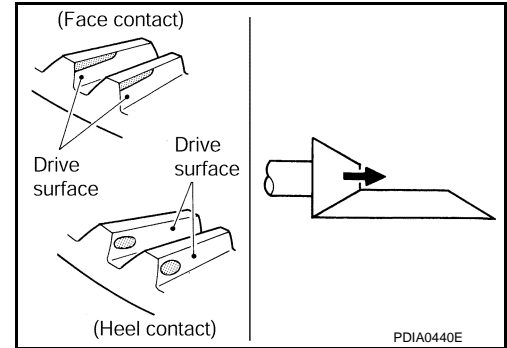
< UNIT DISASSEMBLY AND ASSEMBLY >

[REAR FINAL DRIVE: R200]

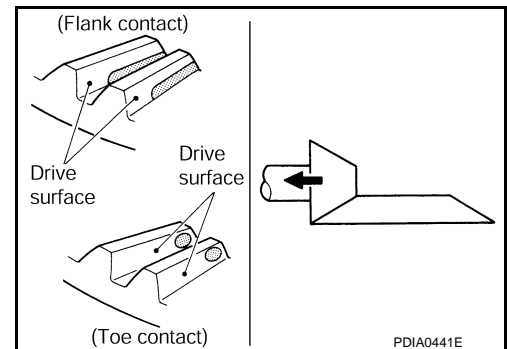
4. If tooth contact is improperly adjusted, follow the procedure below to adjust the pinion height [dimension (X)].



- If the tooth contact is near the face (face contact), or near the heel (heel contact), thicken pinion height adjusting washers to move drive pinion closer to drive gear. For selecting adjusting washer, refer to the latest parts information.



- If the tooth contact is near the flank (flank contact), or near the toe (toe contact), thin pinion height adjusting washers to move drive pinion farther from drive gear. For selecting adjusting washer, refer to the latest parts information.



BACKLASH

Before inspection and adjustment, drain gear oil.

1. Remove rear cover. Refer to [DLN-49, "M/T : Disassembly"](#).
2. Fit a dial indicator to the drive gear face to measure the backlash.

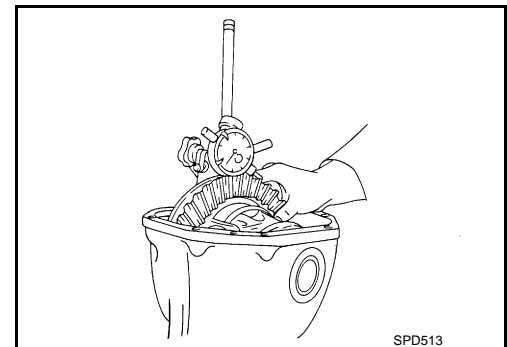
Standard Backlash

: Refer to [DLN-90, "Backlash"](#).

- If the backlash is outside of the specified value, change the thickness of side bearing adjusting washer.

When the backlash is large:

Make drive gear back side adjusting washer thicker, and drive gear tooth side adjusting washer thinner by the same amount. For selecting adjusting washer, refer to the latest parts information.



A
B
C
DLN
E
F
G
H
I
J
K
L
M
N
O
P

DIFFERENTIAL ASSEMBLY

< UNIT DISASSEMBLY AND ASSEMBLY >

[REAR FINAL DRIVE: R200]

When the backlash is small:

Make drive gear back side adjusting washer thinner, and drive gear tooth side adjusting washer thicker by the same amount. For selecting adjusting washer, refer to the latest parts information.

CAUTION:

Never change the total amount of washers as it changes the bearing preload.

M/T : Inspection After Disassembly

INFOID:000000008157609

DRIVE GEAR AND DRIVE PINION

- Clean up the disassembled parts.
- If the gear teeth never mesh or line-up correctly, determine the cause and adjust or replace as necessary.
- If the gears are worn, cracked, damaged, pitted or chipped (by friction) noticeably, replace with new drive gear and drive pinion as a set.

BEARING

- Clean up the disassembled parts.
- If any chipped (by friction), pitted, worn, rusted or scratched marks, or unusual noise from the bearing is observed, replace as a bearing assembly (as a new set).

SIDE GEAR AND PINION MATE GEAR

- Clean up the disassembled parts.
- If any cracks or damage on the surface of the tooth is found, replace.
- If any worn or chipped mark on the contact sides of the thrust washer is found, replace.

SIDE GEAR THRUST WASHER AND PINION MATE THRUST WASHER

- Clean up the disassembled parts.
- If it is chipped (by friction), damaged, or unusually worn, replace.

OIL SEAL

- Whenever disassembled, replace.
- If wear, deterioration of adherence (sealing force lips), or damage is detected on the lips, replace them.

DIFFERENTIAL CASE

- Clean up the disassembled parts.
- If any wear or crack on the contact sides of the differential case is found, replace.

COMPANION FLANGE

- Clean up the disassembled parts.
- If any chipped mark [about 0.1 mm, (0.004 in)] or other damage on the contact sides of the lips of the companion flange is found, replace.

A/T

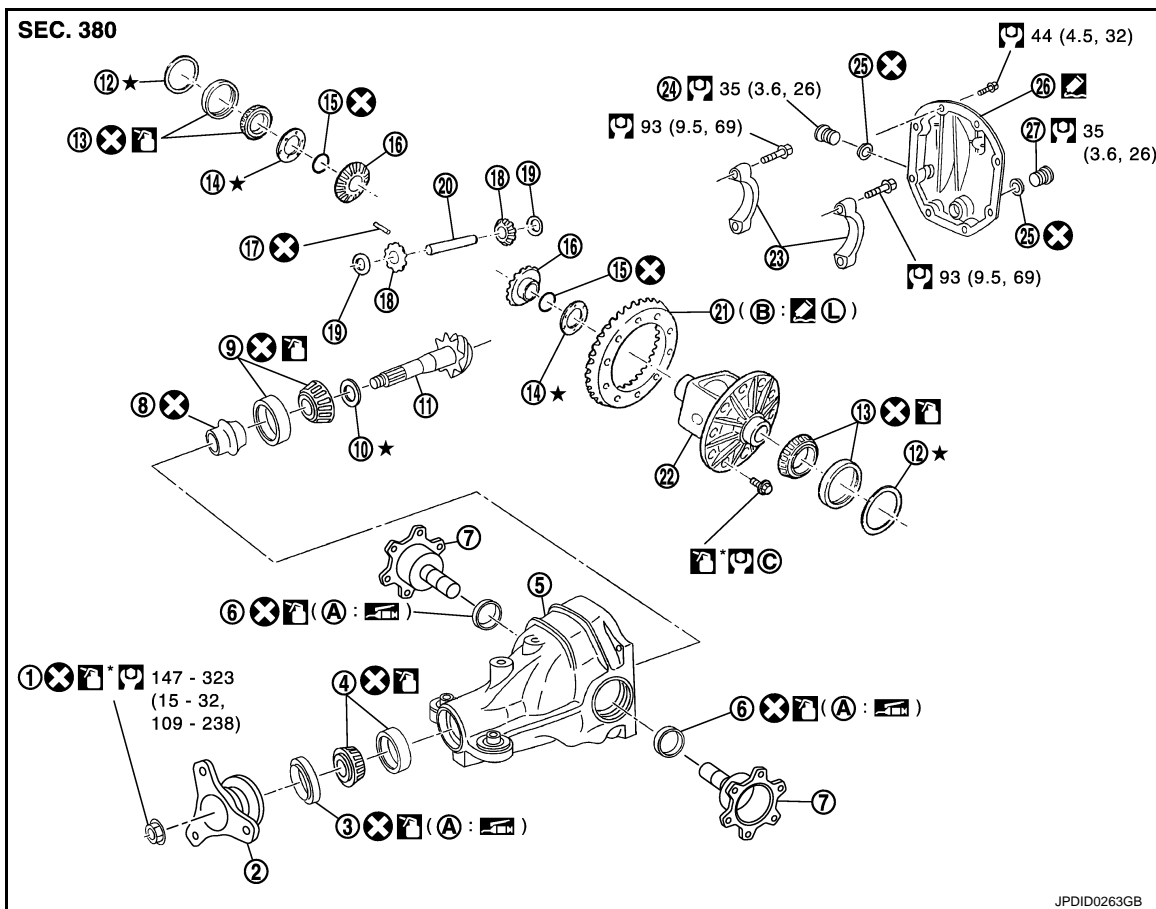
DIFFERENTIAL ASSEMBLY

< UNIT DISASSEMBLY AND ASSEMBLY >

[REAR FINAL DRIVE: R200]

INFOID:000000008157610

A/T : Exploded View



- | | | |
|------------------------------------|-----------------------------|-----------------------------------|
| 1. Drive pinion lock nut | 2. Companion flange | 3. Front oil seal |
| 4. Pinion front bearing | 5. Gear carrier | 6. Side oil seal |
| 7. Side flange | 8. Collapsible spacer | 9. Pinion rear bearing |
| 10. Pinion height adjusting washer | 11. Drive pinion | 12. Side bearing adjusting washer |
| 13. Side bearing | 14. Side gear thrust washer | 15. Circular clip |
| 16. Side gear | 17. Lock pin | 18. Pinion mate gear |
| 19. Pinion mate thrust washer | 20. Pinion mate shaft | 21. Drive gear |
| 22. Differential case | 23. Bearing cap | 24. Filler plug |
| 25. Gasket | 26. Rear cover | 27. Drain plug |
- A. Oil seal lip
B. Screw hole
C. Comply with the assembly procedure when tightening. Refer to [DLN-64, "A/T : Assembly"](#).

: Apply gear oil.

: Apply anti-corrosion oil.

: Apply Genuine Silicone RTV or equivalent. Refer to [GI-22, "Recommended Chemical Products and Sealants"](#).

: Apply Genuine High Strength Thread Locking Sealant or equivalent. Refer to [GI-22, "Recommended Chemical Products and Sealants"](#).

Refer to [GI-4, "Components"](#) for symbols not described on the above.

A/T : Disassembly

INFOID:000000008157611

1. Drain gear oil, if necessary.

DIFFERENTIAL ASSEMBLY

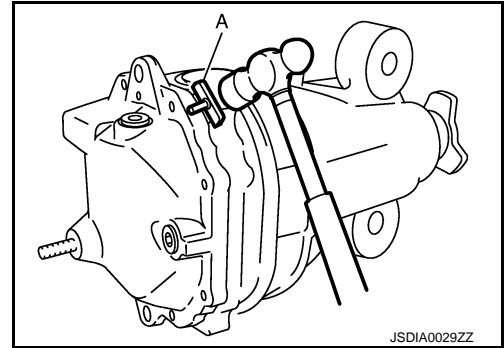
< UNIT DISASSEMBLY AND ASSEMBLY >

[REAR FINAL DRIVE: R200]

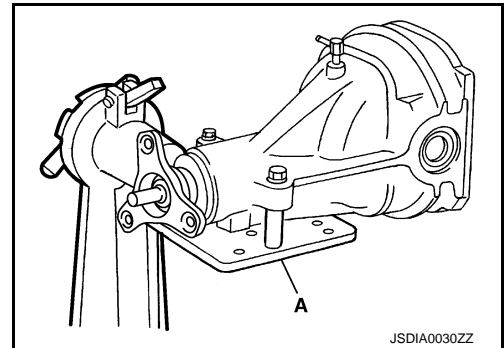
2. Remove side flanges.
3. Remove rear cover mounting bolts.
4. Remove rear cover to insert the seal cutter (A) [SST: KV10111100 (J-37228)] between gear carrier and rear cover.

CAUTION:

- Never damage the mating surface.
- Never insert flat-bladed screwdriver, this may damage the mating surface.



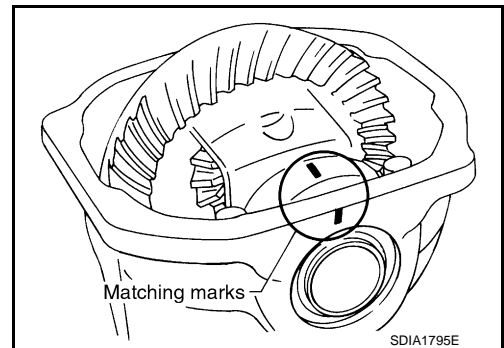
5. Using two spacers, mount carrier on the attachment (A) [SST: KV38100800 (J-25604-01)].



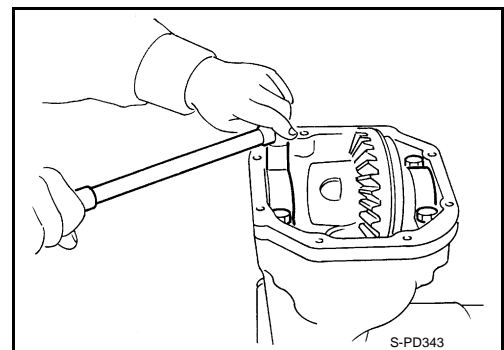
6. For proper reinstallation, paint matching marks on one side of the bearing cap.

CAUTION:

- For matching marks, use paint. Never damage bearing caps and gear carrier.
- Bearing caps are manufactured as integral molding. Use the matching marks to them in their original positions.



7. Remove bearing caps.

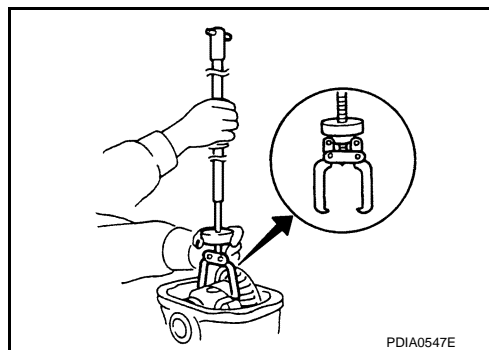


DIFFERENTIAL ASSEMBLY

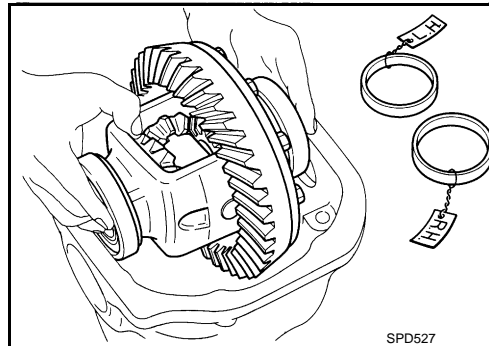
< UNIT DISASSEMBLY AND ASSEMBLY >

[REAR FINAL DRIVE: R200]

8. Lift differential case assembly out, using sliding hammer (commercial service tool).



9. Keep side bearing outer races together with inner race. Never mix them up. Also, keep side bearing adjusting washers together with bearings.

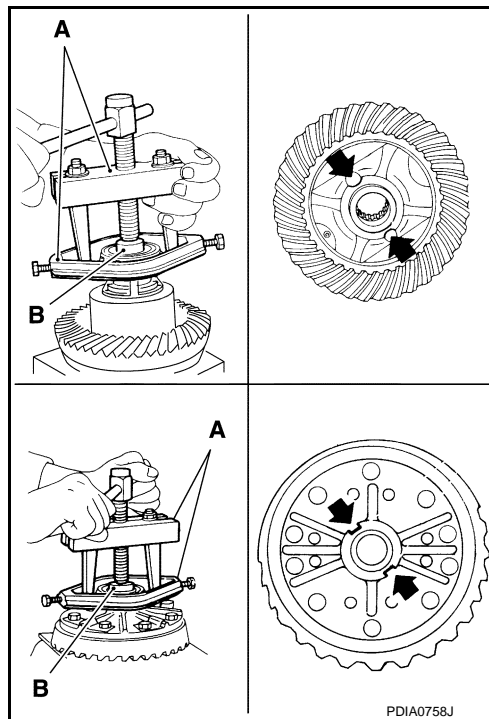


10. Remove side bearing inner race with puller (A) and base (B). To prevent damage to bearing, engage puller jaws in groove (←).

- A : Puller [SST: ST33051001 (J-22888-20)]
- B : Base [SST: ST33061000 (J-8107-2)]

CAUTION:

- To prevent damage to the side bearing and drive gear, place copper plates between these parts and vise.
- It is not necessary to remove side bearing inner race except when it is replaced.



11. For proper reinstallation, paint matching marks on one differential case assembly.

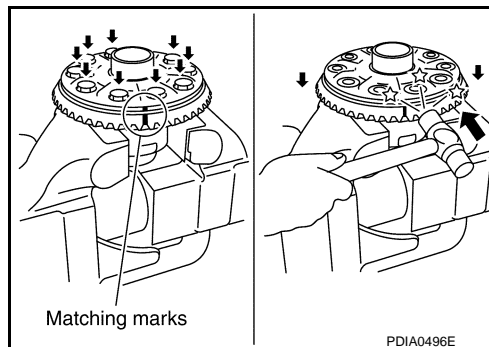
CAUTION:

For matching marks, use paint. Never damage differential case and drive gear.

12. Remove drive gear mounting bolts.
13. Tap drive gear off differential case assembly with a soft hammer.

CAUTION:

Tap evenly all around to keep drive gear from bending.



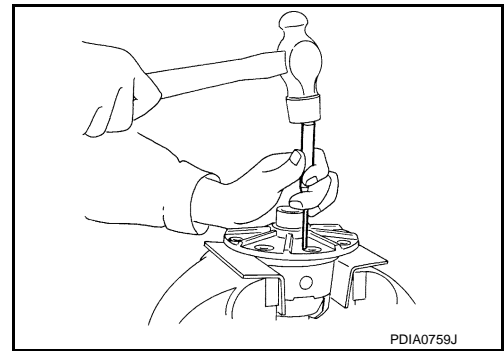
A
B
C
DLN
E
F
G
H
I
J
K
L
M
N
O
P

DIFFERENTIAL ASSEMBLY

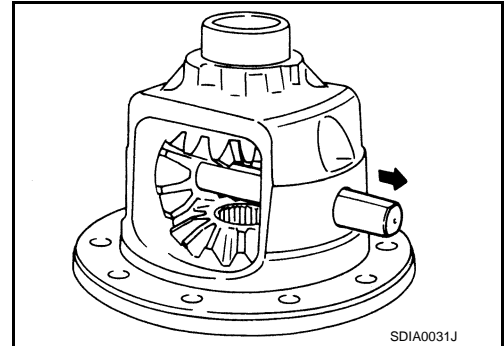
< UNIT DISASSEMBLY AND ASSEMBLY >

[REAR FINAL DRIVE: R200]

14. Remove lock pin of pinion mate shaft with a punch from drive gear side.



15. Remove pinion mate shaft.



16. Turn pinion mate gear, then remove pinion mate gear, pinion mate thrust washer, side gear and side gear thrust washer from differential case.

17. Remove circular clip from side gear.

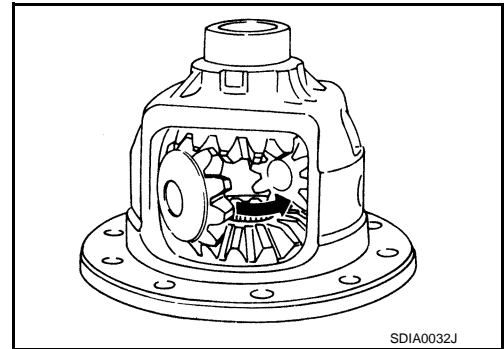
CAUTION:

Never damage side gear.

18. Remove side oil seal, using a suitable tool.

CAUTION:

Never damage gear carrier.



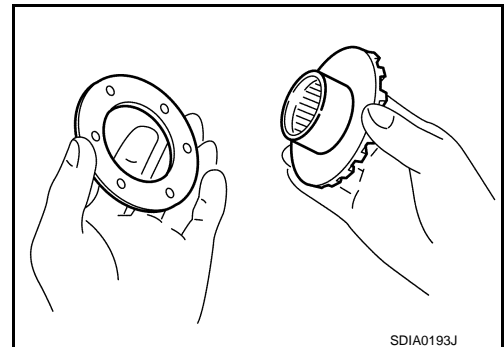
A/T : Assembly

1. Install circular clip to side gear.

CAUTION:

Never damage side gear.

2. Install side gear thrust washers with the same thickness as the ones installed prior to disassembly or reinstall the old ones on the side gears.



INFOID:000000008157612

DIFFERENTIAL ASSEMBLY

< UNIT DISASSEMBLY AND ASSEMBLY >

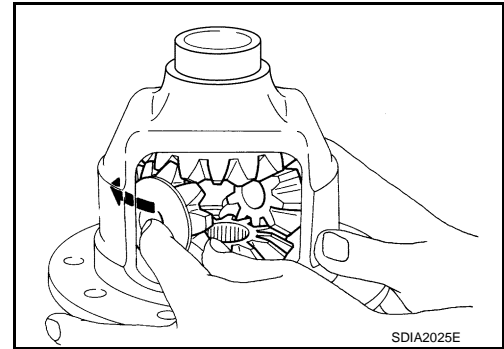
[REAR FINAL DRIVE: R200]

3. Install side gears and thrust washers into differential case.

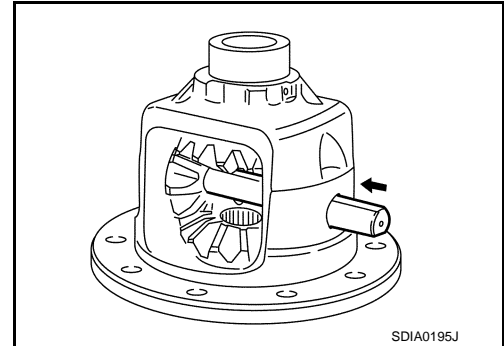
CAUTION:

- Make sure that the circular clip is installed to side gears.
- Never reuse circular clip.

4. Align 2 pinion mate gears in diagonally opposite positions, then rotate and install them into differential case after installing thrust washer to pinion mate gear.

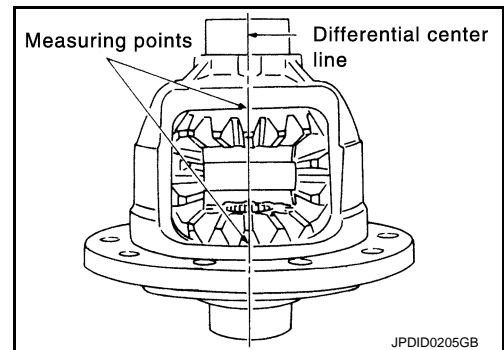


5. Align the lock pin holes on differential case with shaft, and install pinion mate shaft.



6. Measure side gear end play. If necessary, select the appropriate side gear thrust washers.

- a. Place differential case straight up so that side gear to be measured comes upward.



A
B
C
DLN
E
F
G
H
I
J
K
L
M
N
O
P

DIFFERENTIAL ASSEMBLY

< UNIT DISASSEMBLY AND ASSEMBLY >

[REAR FINAL DRIVE: R200]

- b. Using feeler gauge, measure the clearance between side gear back and differential case at 3 different points, while rotating side gear. Average the 3 readings, and then measure the clearance of the other side as well.

Standard

Side gear back clearance : Refer to [DLN-90, "Differential Side Gear Clearance"](#).

CAUTION:

To prevent side gear from tilting, insert feeler gauges with the same thickness from both sides.

- c. If the back clearance is outside the specification, use a thicker/thinner side gear thrust washer to adjust. For selecting thrust washer, refer to the latest parts information.

When the back clearance is large: Use a thicker thrust washer.

When the back clearance is small: Use a thinner thrust washer.

CAUTION:

Select a side gear thrust washer for right and left individually.

7. Drive a lock pin into pinion mate shaft, using a punch. Make sure lock pin is flush with differential case.

CAUTION:

Never reuse lock pin.

8. Apply thread locking sealant into the thread hole of drive gear. Use Genuine High Strength Thread Locking Sealant or equivalent. Refer to [GI-22, "Recommended Chemical Products and Sealants"](#).

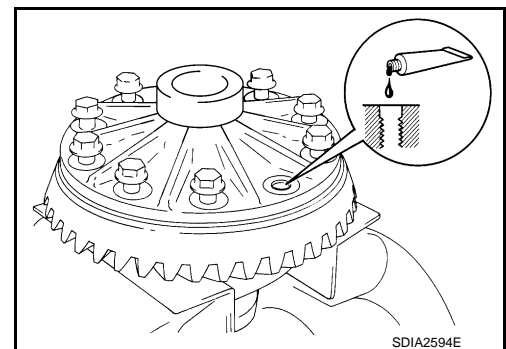
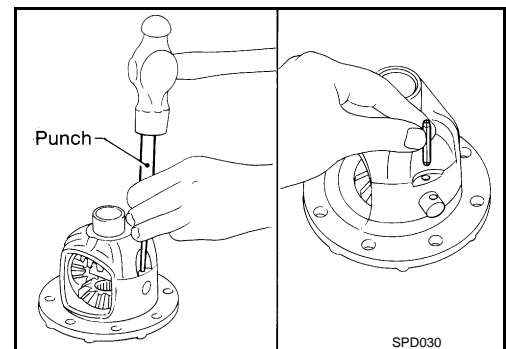
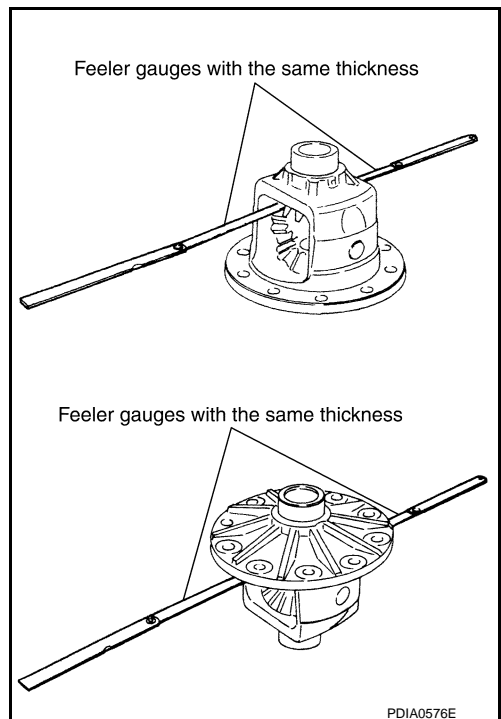
CAUTION:

Clean and degrease drive gear back and threaded holes sufficiently.

9. Install the drive gear to differential case.

CAUTION:

Align the matching marks of differential case and drive gear.



DIFFERENTIAL ASSEMBLY

< UNIT DISASSEMBLY AND ASSEMBLY >

[REAR FINAL DRIVE: R200]

10. Tighten the mounting bolts with the following procedure.

CAUTION:

Apply anti-corrosion oil to the thread and seat of mounting bolts.

a. Tighten the bolts in a crisscross fashion to the specified torque.

Drive gear mounting bolts tightening torque : 78.5 N•m (8.0 kg-m, 58 ft-lb)

b. Tighten the bolts additionally at the specified angle.

Drive gear mounting bolts tightening angle : 31 to 36 degree

CAUTION:

Check the tightening angle using the angle wrench [SST: KV10112100 (BT-8653-A)]. Never make judgment by visual inspection.

11. Press side bearing inner races to differential case, using the drift (A) and the base (B).

A : Drift [SST: KV38100300 (J-25523)]

B : Base [SST: ST33061000 (J-8107-2)]

CAUTION:

Never reuse side bearing inner race.

12. Set bearing outer races to differential case assembly, and install it with removed side bearing adjusting washer or same thickness washer into gear carrier.

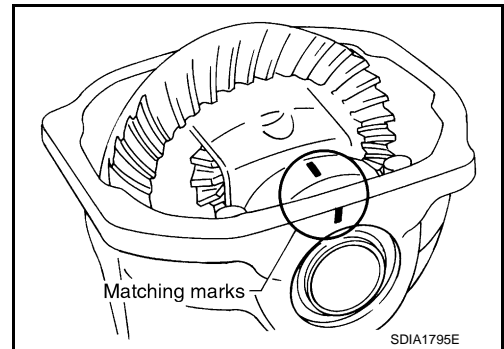
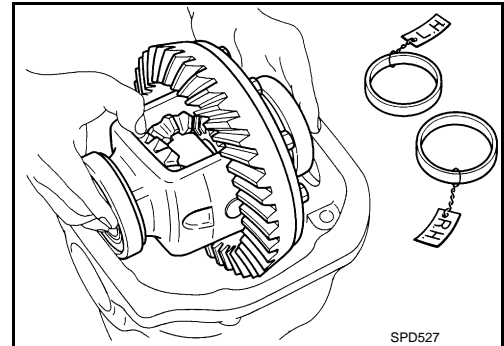
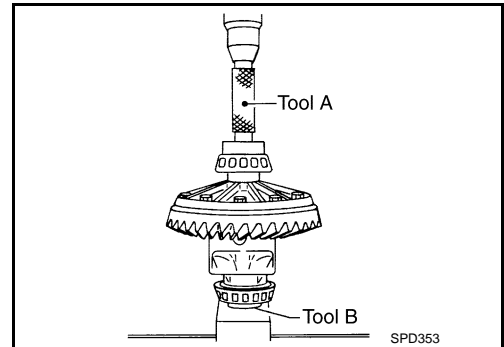
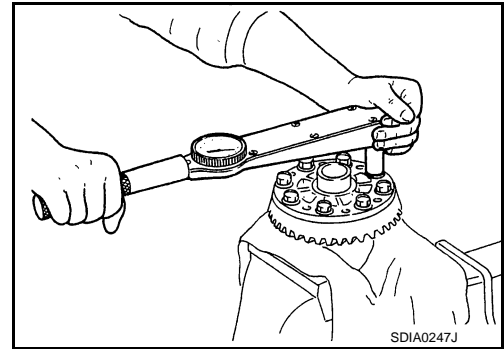
CAUTION:

- Apply differential gear oil to the side bearings.
- Install side bearing and side bearing adjusting washer in correct location. (drive gear tooth side or drive gear back side)

13. Measure side bearing preload. If necessary, select the appropriate side bearing adjusting washers. Refer to [DLN-68. "A/T : Adjustment"](#).

14. Align matching marks on bearing cap with that on gear carrier.

15. Install bearing caps and tighten bearing cap mounting bolts.



A
B
C
DLN
E
F
G
H
I
J
K
L
M
N
O
P

DIFFERENTIAL ASSEMBLY

< UNIT DISASSEMBLY AND ASSEMBLY >

[REAR FINAL DRIVE: R200]

16. Using the drift [SST: KV38100200 (J-26233)], drive side oil seals until it becomes flush with the case end.

CAUTION:

- Never reuse oil seal.
- When installing, never incline oil seal.
- Apply multi-purpose grease onto oil seal lips, and gear oil onto the circumference of oil seal.

17. Check and adjust drive gear runout, tooth contact, drive gear to drive pinion backlash, and total preload torque. Refer to [DLN-68, "A/T : Adjustment"](#).

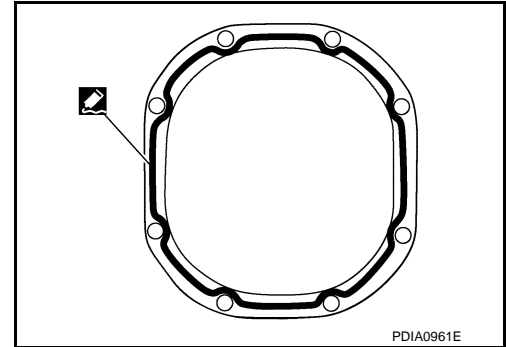
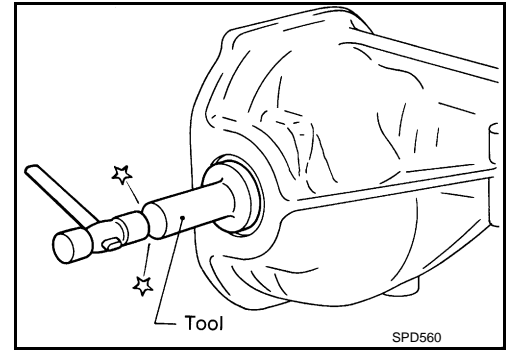
Recheck above items. Readjust the above description, if necessary.

18. Apply sealant to mating surface of rear cover. Use Genuine Silicone RTV or equivalent. Refer to [GI-22, "Recommended Chemical Products and Sealants"](#).

CAUTION:

Remove old sealant adhering to mounting surfaces. Also remove any moisture, oil, or foreign material adhering to application and mounting surfaces.

19. Install rear cover on gear carrier and tighten mounting bolts.



20. Install side flange with the following procedure.

- a. Attach the protector [SST: KV38107900 (J-39352)] to side oil seal.
- b. After the side flanges is inserted and the serrated part of side gear has engaged the serrated part of flange, remove the protector.

- c. Put a suitable drift on the center of side flange, then drive it until sound changes.

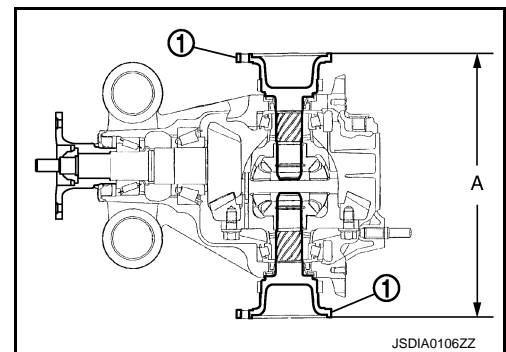
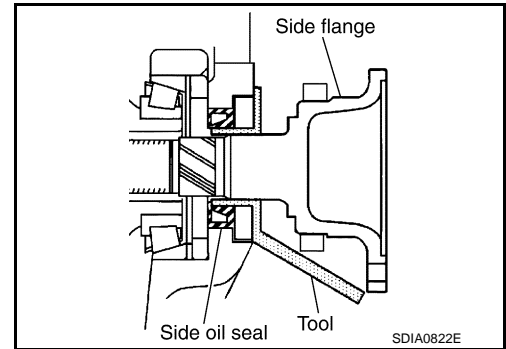
NOTE:

When installation is completed, driving sound of the side flange turns into a sound that seems to affect the whole final drive.

- d. Confirm that the dimension of the side flanges (1) installation measurement (A) in the figure comes into the following.

Standard

A : 326 – 328 mm (12.83 – 12.91 in)



A/T : Adjustment

INFOID:000000008157613

TOTAL PRELOAD TORQUE

Before inspection and adjustment, drain gear oil.

1. Secure final drive assembly onto an attachment [SST: KV38100800 (J-25604-01)].
2. Remove side flanges.
3. Rotate drive pinion back and forth 2 to 3 times to check for unusual noise and rotation malfunction.
4. Rotate drive pinion at least 20 times to check for smooth operation of the bearing.

DIFFERENTIAL ASSEMBLY

< UNIT DISASSEMBLY AND ASSEMBLY >

[REAR FINAL DRIVE: R200]

5. Measure total preload, using the preload gauge (A) [SST: ST3127S000 (J-25765-A)].

Standard

Total preload torque

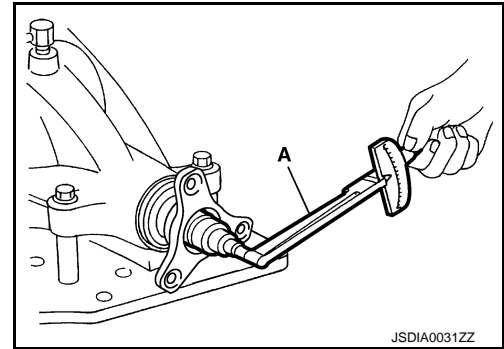
: Refer to [DLN-90, "Preload Torque"](#).

NOTE:

Total preload torque = Pinion bearing preload torque + Side bearing preload torque

- If measured value is out of the specification, disassemble it to check and adjust each part. Adjust the pinion bearing preload and side bearing preload.

Adjust the pinion bearing preload first, then adjust the side bearing preload.



A

B

C

DLN

When the preload torque is large

On pinion bearings: Replace the collapsible spacer.

On side bearings: Use thinner side bearing adjusting washers by the same amount to each side. For selecting adjusting washer, refer to the latest parts information.

When the preload is small

On pinion bearings: Tighten the drive pinion lock nut.

On side bearings: Use thicker side bearing adjusting washers by the same amount to each side. For selecting adjusting washer, refer to the latest parts information.

E

F

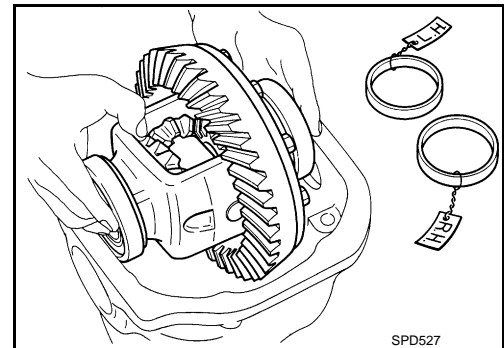
G

H

SIDE BEARING PRELOAD

Before inspection and adjustment, drain gear oil.

1. Remove rear cover. Refer to [DLN-61, "A/T : Disassembly"](#).
2. Make sure all parts are clean. Also, make sure the bearings are well lubricated with gear oil.
3. Place the differential case, with side bearings and bearing races installed, into gear carrier.



I

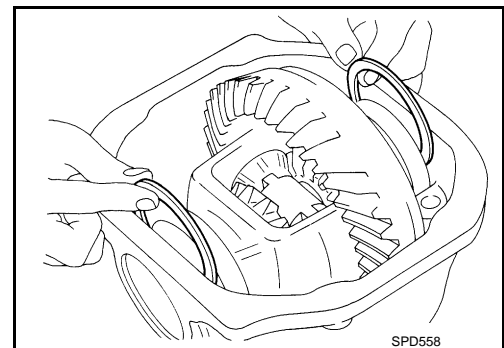
J

K

L

M

4. Insert left and right original side bearing adjusting washers in place between side bearings and gear carrier.



N

O

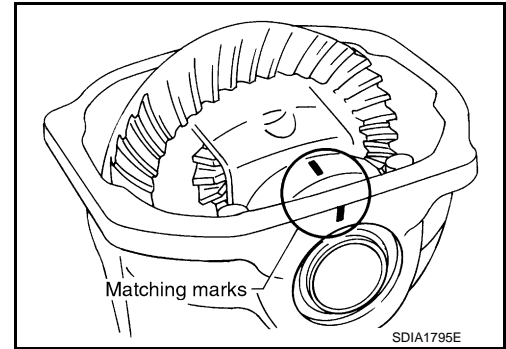
P

DIFFERENTIAL ASSEMBLY

< UNIT DISASSEMBLY AND ASSEMBLY >

[REAR FINAL DRIVE: R200]

5. Install bearing caps in their correct locations and tighten bearing cap mounting bolts.
6. Turn the carrier several times to seat the bearings.

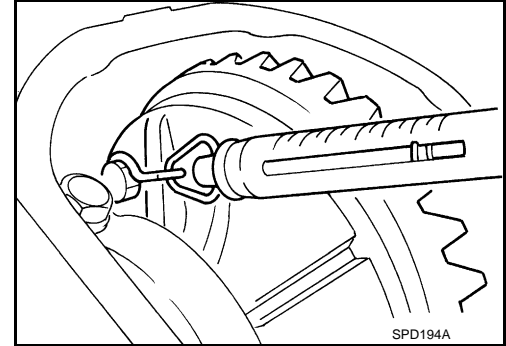


7. Measure the turning torque of the carrier at the drive gear mounting bolts with a spring gauge [SST: — (J-8129)].

Standard

Specification

: 34.2 – 39.2 N (3.5 – 4.0 kg, 7.7 – 8.8 lb) of pulling force at the drive gear bolt



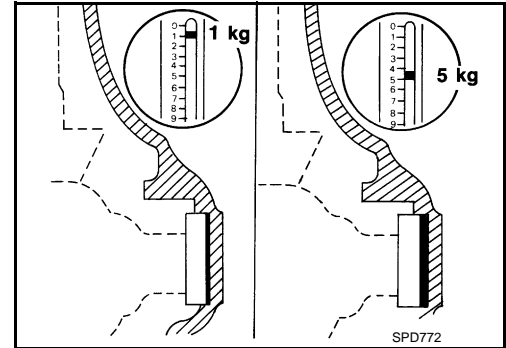
8. If the turning torque is outside the specification, use a thicker/thinner side bearing adjusting washer to adjust. For selecting adjusting washer, refer to the latest parts information.

If the turning torque is less than the specified range:

Use a thicker adjusting washer.

If the turning torque is greater than the specification:

Use a thinner adjusting washer.



CAUTION:

Select a side bearing adjusting washer for right and left individually.

9. Record the total amount of washer thickness required for the correct carrier side bearing preload.

DRIVE GEAR RUNOUT

1. Remove rear cover. Refer to [DLN-61, "A/T : Disassembly"](#).
2. Fit a dial indicator to the drive gear back face.
3. Rotate the drive gear to measure runout.

Limit

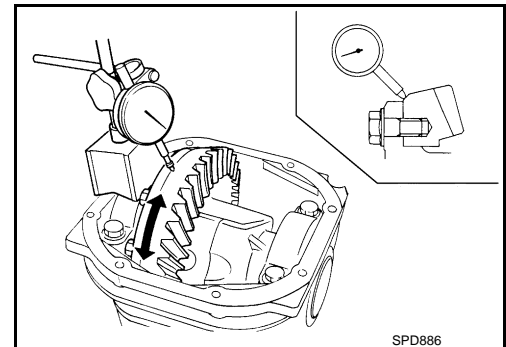
Drive gear runout

: Refer to [DLN-90, "Drive Gear Runout"](#).

- If the runout is outside of the repair limit, check drive gear assembly condition; foreign material may be caught between drive gear and differential case, or differential case or drive gear may be deformed, etc.

CAUTION:

Replace drive gear and drive pinion gear as a set.



TOOTH CONTACT

Before inspection and adjustment, drain gear oil.

1. Remove rear cover. Refer to [DLN-61, "A/T : Disassembly"](#).

DIFFERENTIAL ASSEMBLY

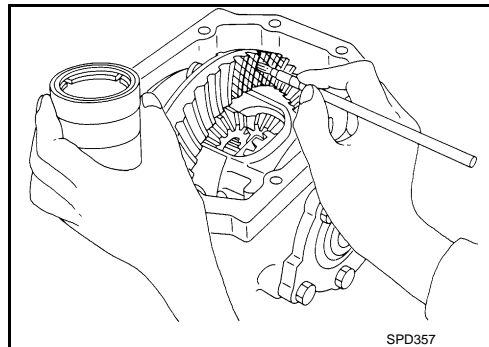
< UNIT DISASSEMBLY AND ASSEMBLY >

[REAR FINAL DRIVE: R200]

2. Apply red lead to drive gear.

CAUTION:

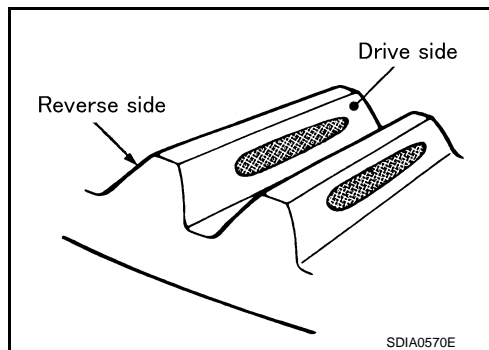
Apply red lead to both the faces of 3 to 4 gears at 4 locations evenly spaced on drive gear.



3. Rotate drive gear back and forth several times, check drive pinion gear to drive gear tooth contact.

CAUTION:

Check tooth contact on drive side and reverse side.



Tooth contact condition		Pinion height adjusting washer selection valve [mm (in)]	Adjustment (Yes/No)	Possible cause	
Drive side	Back side				
Heel side 	Toe side 	↑ Thicker	Yes	Occurrence of noise and scoring sound in all speed ranges.	
				+0.06 (+0.0024)	Occurrence of noise when accelerating.
				+0.03 (+0.0012)	
		0	No	-	
		↓ Thinner	Yes	Occurrence of noise at constant speed and decreasing speed.	
				-0.03 (-0.0012)	
				-0.06 (-0.0024)	Occurrence of noise and scoring sound in all speed ranges.
		-0.09 (-0.0035)			

SDIA0207E

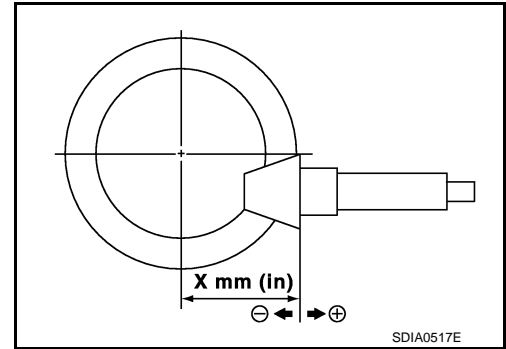
A
B
C
DLN
E
F
G
H
I
J
K
L
M
N
O
P

DIFFERENTIAL ASSEMBLY

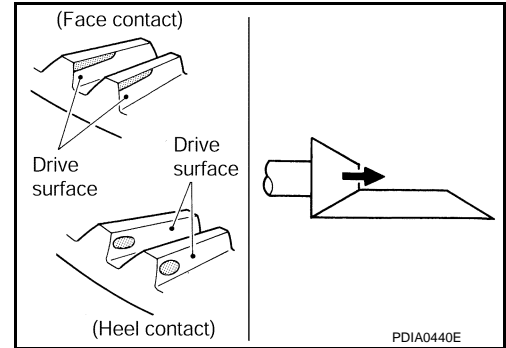
< UNIT DISASSEMBLY AND ASSEMBLY >

[REAR FINAL DRIVE: R200]

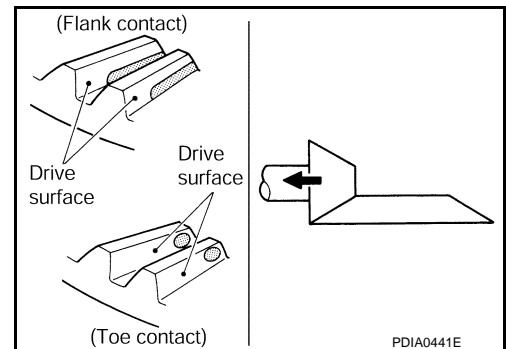
4. If tooth contact is improperly adjusted, follow the procedure below to adjust the pinion height [dimension (X)].



- If the tooth contact is near the face (face contact), or near the heel (heel contact), thicken pinion height adjusting washers to move drive pinion closer to drive gear. For selecting adjusting washer, refer to the latest parts information.



- If the tooth contact is near the flank (flank contact), or near the toe (toe contact), thin pinion height adjusting washers to move drive pinion farther from drive gear. For selecting adjusting washer, refer to the latest parts information.



BACKLASH

Before inspection and adjustment, drain gear oil.

1. Remove rear cover. Refer to [DLN-61, "A/T : Disassembly"](#).
2. Fit a dial indicator to the drive gear face to measure the backlash.

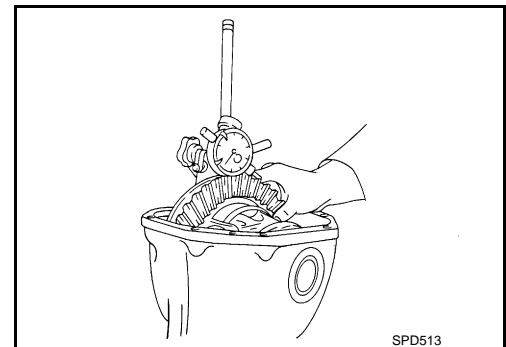
Standard Backlash

: Refer to [DLN-90, "Backlash"](#).

- If the backlash is outside of the specified value, change the thickness of side bearing adjusting washer.

When the backlash is large:

Make drive gear back side adjusting washer thicker, and drive gear tooth side adjusting washer thinner by the same amount. For selecting adjusting washer, refer to the latest parts information.



DIFFERENTIAL ASSEMBLY

< UNIT DISASSEMBLY AND ASSEMBLY >

[REAR FINAL DRIVE: R200]

When the backlash is small:

Make drive gear back side adjusting washer thinner, and drive gear tooth side adjusting washer thicker by the same amount. For selecting adjusting washer, refer to the latest parts information.

CAUTION:

Never change the total amount of washers as it changes the bearing preload.

A/T : Inspection After Disassembly

INFOID:000000008157614

DRIVE GEAR AND DRIVE PINION

- Clean up the disassembled parts.
- If the gear teeth never mesh or line-up correctly, determine the cause and adjust or replace as necessary.
- If the gears are worn, cracked, damaged, pitted or chipped (by friction) noticeably, replace with new drive gear and drive pinion as a set.

BEARING

- Clean up the disassembled parts.
- If any chipped (by friction), pitted, worn, rusted or scratched marks, or unusual noise from the bearing is observed, replace as a bearing assembly (as a new set).

SIDE GEAR AND PINION MATE GEAR

- Clean up the disassembled parts.
- If any cracks or damage on the surface of the tooth is found, replace.
- If any worn or chipped mark on the contact sides of the thrust washer is found, replace.

SIDE GEAR THRUST WASHER AND PINION MATE THRUST WASHER

- Clean up the disassembled parts.
- If it is chipped (by friction), damaged, or unusually worn, replace.

OIL SEAL

- Whenever disassembled, replace.
- If wear, deterioration of adherence (sealing force lips), or damage is detected on the lips, replace them.

DIFFERENTIAL CASE

- Clean up the disassembled parts.
- If any wear or crack on the contact sides of the differential case is found, replace.

COMPANION FLANGE

- Clean up the disassembled parts.
- If any chipped mark [about 0.1 mm, (0.004 in)] or other damage on the contact sides of the lips of the companion flange is found, replace.

A

B

C

DLN

E

F

G

H

I

J

K

L

M

N

O

P

DRIVE PINION

< UNIT DISASSEMBLY AND ASSEMBLY >

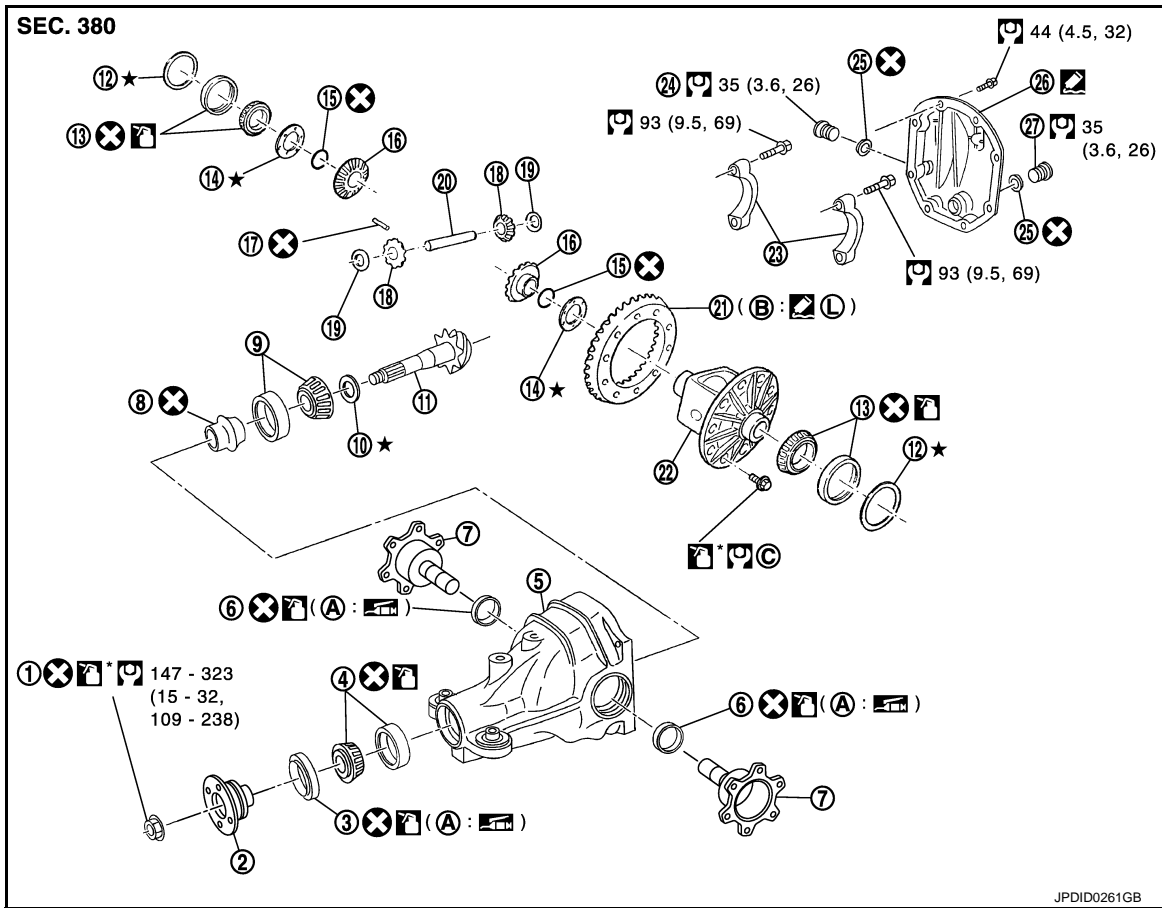
[REAR FINAL DRIVE: R200]

DRIVE PINION

M/T

M/T : Exploded View

INFOID:000000008157615



- | | | |
|------------------------------------|-----------------------------|--|
| 1. Drive pinion lock nut | 2. Companion flange | 3. Front oil seal |
| 4. Pinion front bearing | 5. Gear carrier | 6. Side oil seal |
| 7. Side flange | 8. Collapsible spacer | 9. Pinion rear bearing |
| 10. Pinion height adjusting washer | 11. Drive pinion | 12. Side bearing adjusting washer |
| 13. Side bearing | 14. Side gear thrust washer | 15. Circular clip |
| 16. Side gear | 17. Lock pin | 18. Pinion mate gear |
| 19. Pinion mate thrust washer | 20. Pinion mate shaft | 21. Drive gear |
| 22. Differential case | 23. Bearing cap | 24. Filler plug |
| 25. Gasket | 26. Rear cover | 27. Drain plug |
| A. Oil seal lip | B. Screw hole | C. Comply with the assembly procedure when tightening. Refer to DLN-51, "M/T : Assembly" . |

: Apply gear oil.

: Apply anti-corrosion oil.

: Apply Genuine Silicone RTV or equivalent. Refer to [GI-22, "Recommended Chemical Products and Sealants"](#).

: Apply Genuine High Strength Thread Locking Sealant or equivalent. Refer to [GI-22, "Recommended Chemical Products and Sealants"](#).

Refer to [GI-4, "Components"](#) for symbols not described on the above.

DRIVE PINION

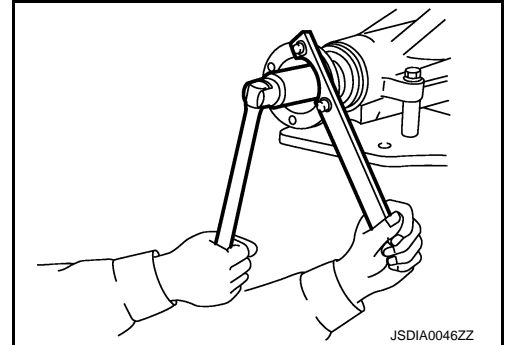
< UNIT DISASSEMBLY AND ASSEMBLY >

[REAR FINAL DRIVE: R200]

M/T : Disassembly

INFOID:000000008157616

1. Remove differential case assembly. Refer to [DLN-49. "M/T : Disassembly"](#).
2. Remove drive pinion lock nut, using the flange wrench (commercial service tool).



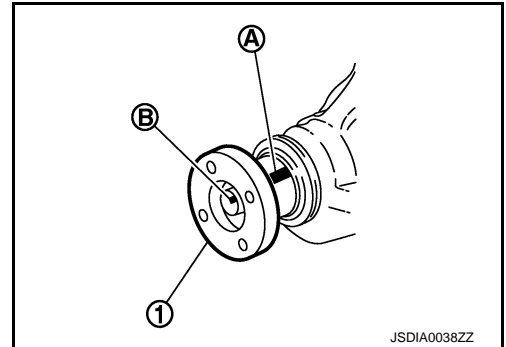
3. Put matching mark (B) on the end of drive pinion. The matching mark should be in line with the matching mark (A) on companion flange (1).

CAUTION:

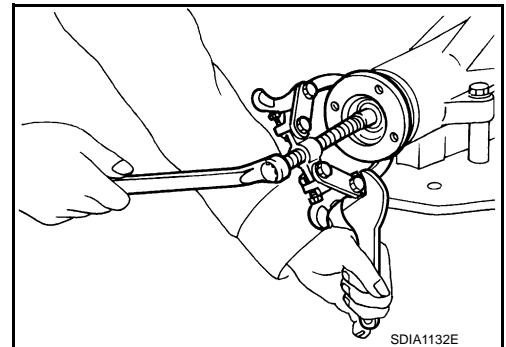
For matching mark, use paint. Never damage companion flange and drive pinion.

NOTE:

The matching mark on the final drive companion flange indicates the maximum vertical runout position. When replacing companion flange, matching mark is not necessary.



4. Remove companion flange, using a puller (commercial service tool).

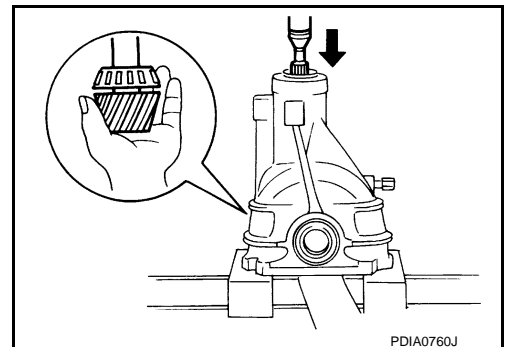


5. Press drive pinion assembly out of gear carrier.

CAUTION:

Never drop drive pinion assembly.

6. Remove front oil seal.
7. Remove side oil seal.
8. Remove pinion front bearing inner race.
9. Remove collapsible spacer.



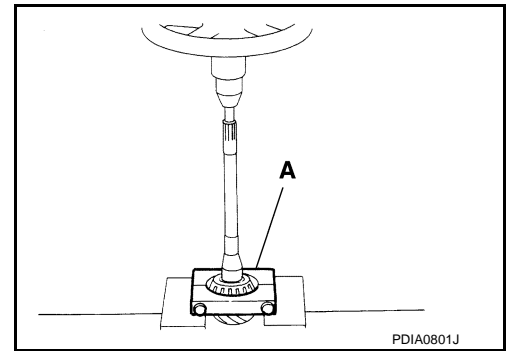
A
B
C
DLN
E
F
G
H
I
J
K
L
M
N
O
P

DRIVE PINION

< UNIT DISASSEMBLY AND ASSEMBLY >

[REAR FINAL DRIVE: R200]

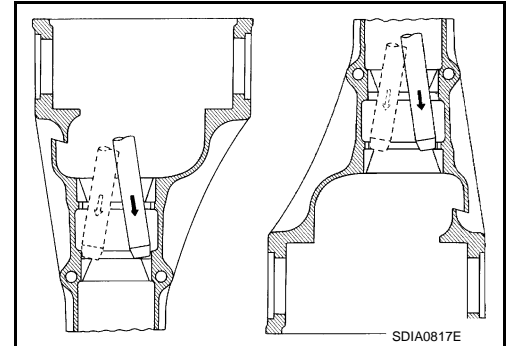
10. Remove pinion rear bearing inner race and pinion height adjusting washer, using the replacer (A) (commercial service tool).



11. Tap pinion front/rear bearing outer races uniformly using a brass rod or equivalent to remove them.

CAUTION:

Never damage gear carrier.



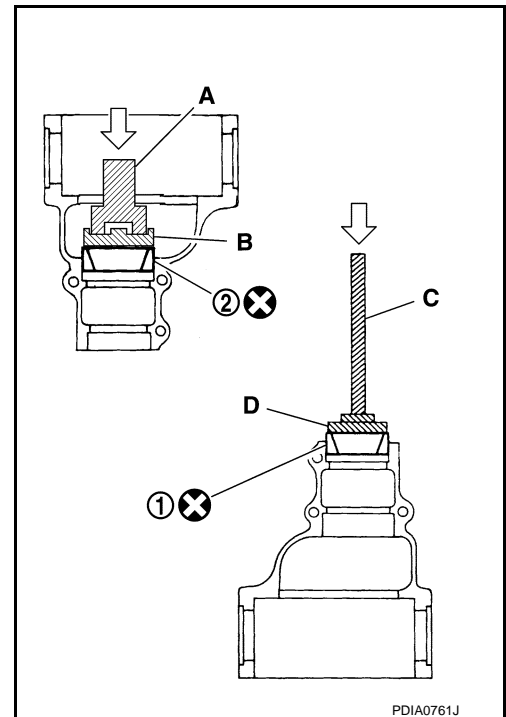
M/T : Assembly

1. Install front bearing outer race (1) and rear bearing outer race (2) using drifts (A, B and D) and drift bar (C).

- A : Drift [SST: ST30720000 (J-25405)]
- B : Drift [SST: KV40105230 (—)]
- C : Drift bar [SST: ST30611000 (J-25742-1)]
- D : Drift [SST: ST30613000 (J-25742-3)]

CAUTION:

- At first, using a hammer, tap bearing outer race until it becomes flat to gear carrier.
- Never reuse pinion front and rear bearing outer race.



DRIVE PINION

< UNIT DISASSEMBLY AND ASSEMBLY >

[REAR FINAL DRIVE: R200]

2. Temporarily install pinion height adjusting washer (1).

When hypoid gear set has been replaced

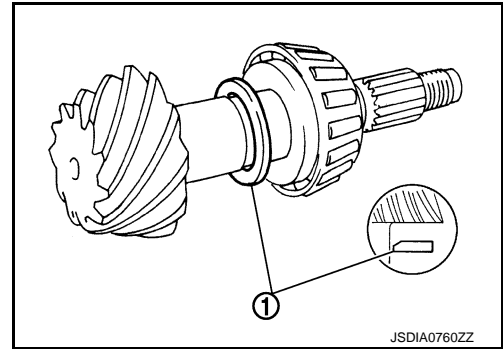
- Select pinion height adjusting washer. Refer to [DLN-80. "M/T : Adjustment"](#).

When hypoid gear set has been reused

- Temporarily install the removed pinion height adjusting washer or same thickness washer to drive pinion.

CAUTION:

Pay attention to the direction of pinion height adjusting washer. (Assemble as shown in the figure.)



3. Install pinion rear bearing inner race (1) to drive pinion with the drift (A) [SST: ST30901000 (J-26010-01)].

CAUTION:

Never reuse pinion rear bearing inner race.

4. Check and adjust the tooth contact and back lash of drive gear and drive pinion following the procedure below.

- a. Assemble drive pinion into gear carrier.

CAUTION:

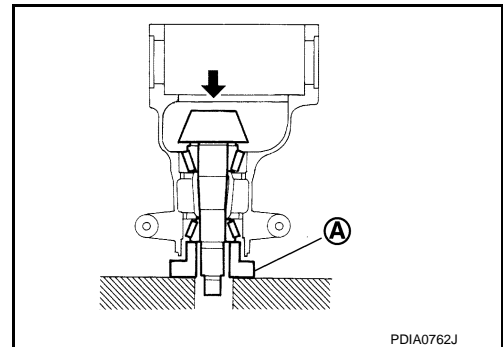
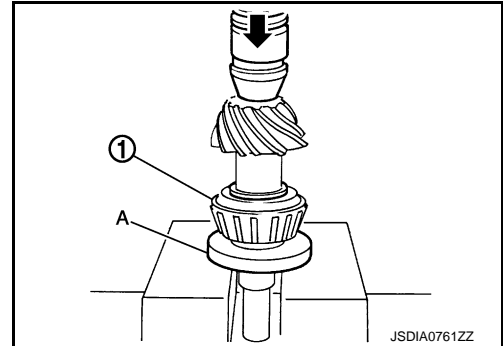
- **Do not install collapsible spacer at this time.**
- **Apply gear oil to pinion rear bearing.**

- b. Assemble pinion front bearing inner race to drive pinion assembly.

CAUTION:

- **Never reuse pinion front bearing inner race.**
- **Apply gear oil to pinion front bearing.**

- c. Using suitable spacer (A) (commercial service tool), press the pinion front bearing inner race to drive pinion as far as drive pinion nut can be tightened.



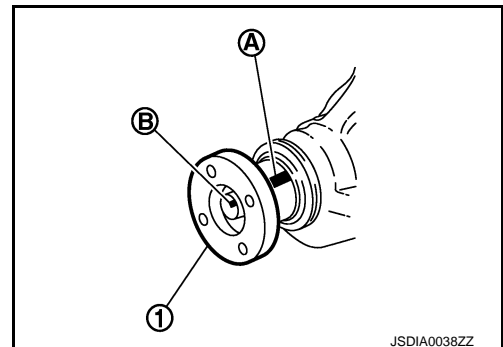
- d. Install companion flange.

CAUTION:

Do not install front oil seal at this time.

NOTE:

When reusing drive pinion, align the matching mark (B) of drive pinion with the matching mark (A) of companion flange, and then install companion flange (1).



A
B
C
DLN
E
F
G
H
I
J
K
L
M
N
O
P

DRIVE PINION

< UNIT DISASSEMBLY AND ASSEMBLY >

[REAR FINAL DRIVE: R200]

- e. Temporarily tighten removed drive pinion nut to drive pinion, using flange wrench (commercial service tool).

A : Preload gauge [SST: ST3127S000 (J-25765-A)]

NOTE:

Use removed drive pinion nut only for the preload measurement.

- f. Rotate drive pinion more than 20 times to adjust bearing.
g. Tighten to drive pinion lock nut using flange wrench (commercial service tool), while adjusting pinion bearing preload torque using preload gauge [SST: ST3127S000 (J-25765-A)].

Pinion bearing preload (without oil seal) : 1.0 - 1.3 N·m (0.11 – 0.13 kg-m, 9 – 11 in-lb)

CAUTION:

Drive pinion nut is tightened with no collapsible spacer. Be careful not to overtighten it. While measuring the preload, tighten drive pinion nut in 5° to 10° increments.

- h. Assemble removed drive side bearing adjusting washer or same thickness of it and install differential case assembly. Refer to [DLN-51. "M/T : Assembly"](#).

CAUTION:

- Apply differential gear oil to the side bearings.
- Install side bearing and side bearing adjusting washer in correct location. (drive gear tooth side or drive gear back side)

- i. Install bearing caps.
j. Check and adjust tooth contact and drive gear to drive pinion backlash. Refer to [DLN-55. "M/T : Adjustment"](#).

- k. Remove bearing caps and differential case assembly.

- l. Remove companion flange.

- m. Remove drive pinion assembly from gear carrier.

CAUTION:

Never drop the drive pinion assembly.

- n. Remove pinion front bearing inner race.

5. Assemble collapsible spacer.

CAUTION:

Never reuse collapsible spacer.

6. Assemble drive pinion into gear carrier.

CAUTION:

Apply gear oil to pinion rear bearing.

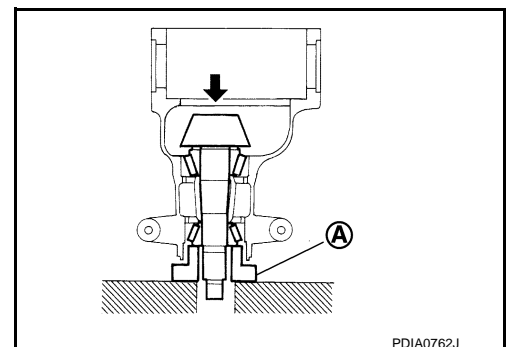
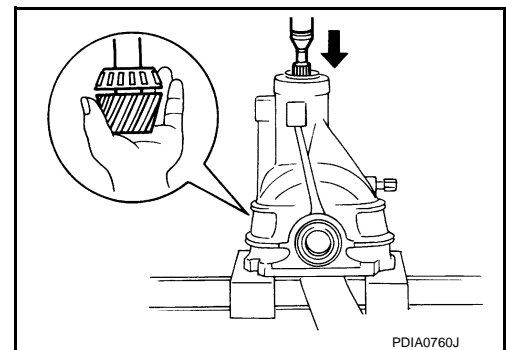
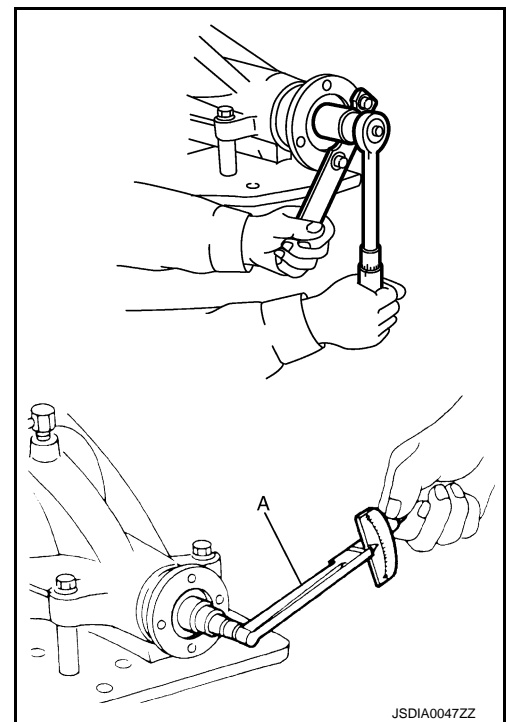
7. Assemble pinion front bearing inner race to drive pinion assembly.

CAUTION:

• Never reuse pinion front bearing inner race.

• Apply gear oil to pinion front bearing.

8. Using suitable spacer (A) (commercial service tool), press the pinion front bearing inner race to drive pinion as far as drive pinion nut can be tightened.



DRIVE PINION

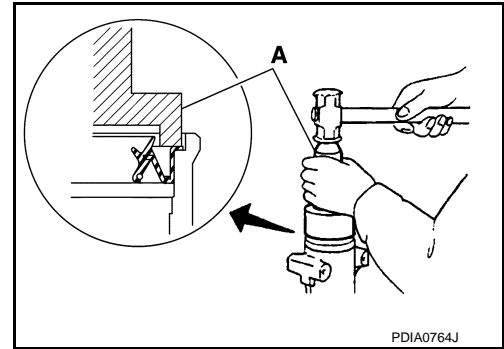
< UNIT DISASSEMBLY AND ASSEMBLY >

[REAR FINAL DRIVE: R200]

9. Using the drift (A) [SST: ST30720000 (J-25405)], install front oil seal as shown in figure.

CAUTION:

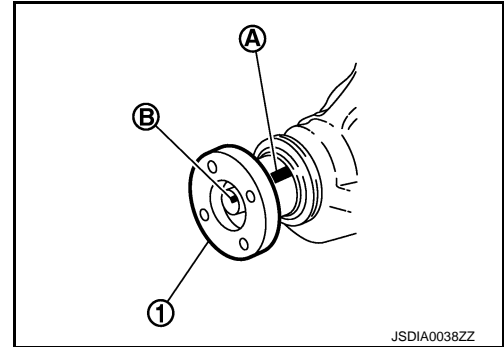
- Never reuse oil seal.
- When installing, never incline oil seal.
- Apply multi-purpose grease onto oil seal lips, and gear oil onto the circumference of oil seal.



10. Install companion flange.

NOTE:

When reusing drive pinion, align the matching mark (B) of drive pinion with the matching mark (A) of companion flange, and then install companion flange (1).



11. Apply anti-corrosion oil to the thread and seat of drive pinion lock nut, and temporarily tighten drive pinion lock nut to drive pinion, using flange wrench (commercial service tool).

A : Preload gauge [SST: ST3127S000 (J-25765-A)]

CAUTION:

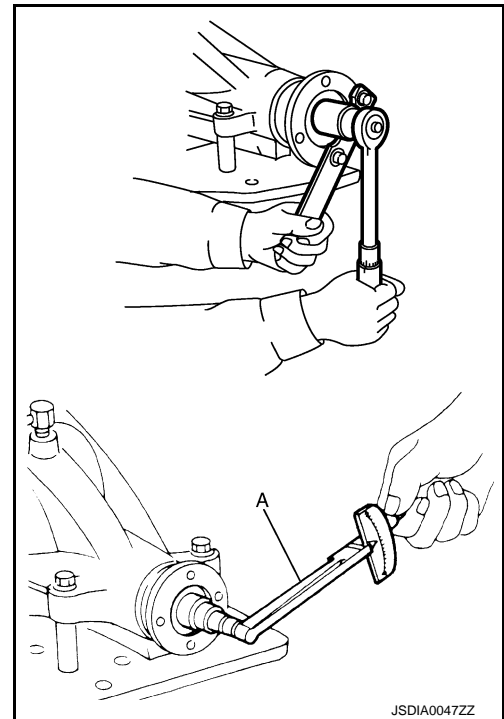
Never reuse drive pinion lock nut.

12. Adjust to the drive pinion lock nut tightening torque and pinion bearing preload torque, using preload gauge [SST: ST3127S000 (J-25765-A)].

Pinion bearing preload : Refer to [DLN-90, "Preload Torque"](#).

CAUTION:

- Adjust to the lower limit of the drive pinion lock nut tightening torque first.
- If the preload torque exceeds the specified value, replace collapsible spacer and tighten it again to adjust. Never loosen drive pinion lock nut to adjust the preload torque.
- After adjustment, rotate drive pinion back and forth 2 to 3 times to check for unusual noise, rotation malfunction, and other malfunctions.



13. Install differential case assembly. Refer to [DLN-51, "M/T : Assembly"](#).

CAUTION:

Do not install rear cover at this time.

14. Check and adjust drive gear runout, tooth contact and drive gear to drive pinion backlash, and companion flange runout. Refer to [DLN-55, "M/T : Adjustment"](#) and [DLN-80, "M/T : Adjustment"](#). Recheck above items. Readjust the above description, if necessary.
15. Check total preload torque. Refer to [DLN-55, "M/T : Adjustment"](#).
16. Install rear cover. Refer to [DLN-51, "M/T : Assembly"](#).

A
B
C
DLN
E
F
G
H
I
J
K
L
M
N
O
P

DRIVE PINION

< UNIT DISASSEMBLY AND ASSEMBLY >

[REAR FINAL DRIVE: R200]

INFOID:000000008157618

M/T : Adjustment

PINION GEAR HEIGHT

If the hypoid gear set has been replaced, select the pinion height adjusting washer.

1. Use the formula below to calculate pinion height adjusting washer thickness.

Washer selection equation:

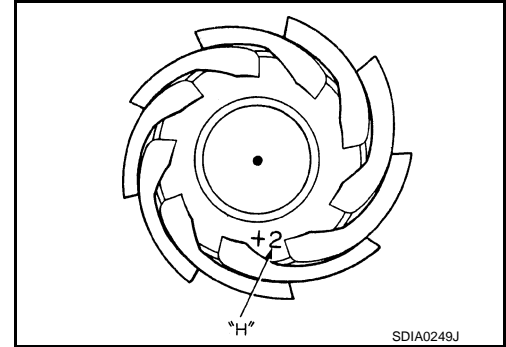
$$T = T_0 + (t_1 - t_2)$$

T: Correct washer thickness

T₀: Removed washer thickness

t₁: Old drive pinion head letter "H × 0.01"
("H": machined tolerance 1/100 mm × 100)

t₂: New drive pinion head letter "H × 0.01"
("H": machined tolerance 1/100 mm × 100)



Example:

$$T = 3.21 + [(2 \times 0.01) - (-1 \times 0.01)] = 3.24$$

T₀: 3.21

t₁: +2

t₂: -1

2. Select the proper pinion height adjusting washer. For selecting adjusting washer, refer to the latest parts information.

CAUTION:

If unable to find a washer of desired thickness, use a washer with thickness closest to the calculated value.

Example:

Calculated value... T = 3.22 mm

Used washer... T = 3.21 mm

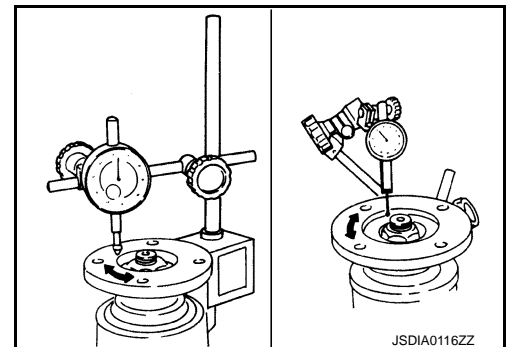
COMPANION FLANGE RUNOUT

1. Fit a dial indicator onto the companion flange face (inner side of the propeller shaft mounting bolt holes).
2. Rotate companion flange to check for runout.

Limit

Companion flange runout : Refer to [DLN-90, "Companion Flange Runout \(M/T\)"](#).

3. Fit a test indicator to the inner side of companion flange (socket diameter).
4. Rotate companion flange to check for runout.



Limit

Companion flange runout : Refer to [DLN-90, "Companion Flange Runout \(M/T\)"](#).

5. If the runout value is outside the runout limit, follow the procedure below to adjust.
 - a. Check for runout while changing the phase between companion flange and drive pinion by 90° step, and search for the position where the runout is the minimum.

DRIVE PINION

< UNIT DISASSEMBLY AND ASSEMBLY >

[REAR FINAL DRIVE: R200]

- b. If the runout value is still outside of the limit after the phase has been changed, possible cause will be an assembly malfunction of drive pinion and pinion bearing and malfunction of pinion bearing. Check for these items and repair if necessary.
- c. If the runout value is still outside of the limit after the check and repair, replace companion flange.

M/T : Inspection After Disassembly

INFOID:000000008157619

DRIVE GEAR AND DRIVE PINION

- Clean up the disassembled parts.
- If the gear teeth never mesh or line-up correctly, determine the cause and adjust or replace as necessary.
- If the gears are worn, cracked, damaged, pitted or chipped (by friction) noticeably, replace with new drive gear and drive pinion as a set.

BEARING

- Clean up the disassembled parts.
- If any chipped (by friction), pitted, worn, rusted or scratched marks, or unusual noise from the bearing is observed, replace as a bearing assembly (as a new set).

SIDE GEAR AND PINION MATE GEAR

- Clean up the disassembled parts.
- If any cracks or damage on the surface of the tooth is found, replace.
- If any worn or chipped mark on the contact sides of the thrust washer is found, replace.

SIDE GEAR THRUST WASHER AND PINION MATE THRUST WASHER

- Clean up the disassembled parts.
- If it is chipped (by friction), damaged, or unusually worn, replace.

OIL SEAL

- Whenever disassembled, replace.
- If wear, deterioration of adherence (sealing force lips), or damage is detected on the lips, replace them.

DIFFERENTIAL CASE

- Clean up the disassembled parts.
- If any wear or crack on the contact sides of the differential case is found, replace.

COMPANION FLANGE

- Clean up the disassembled parts.
- If any chipped mark [about 0.1 mm, (0.004 in)] or other damage on the contact sides of the lips of the companion flange is found, replace.

A/T

A
B
C
DLN
E
F
G
H
I
J
K
L
M
N
O
P

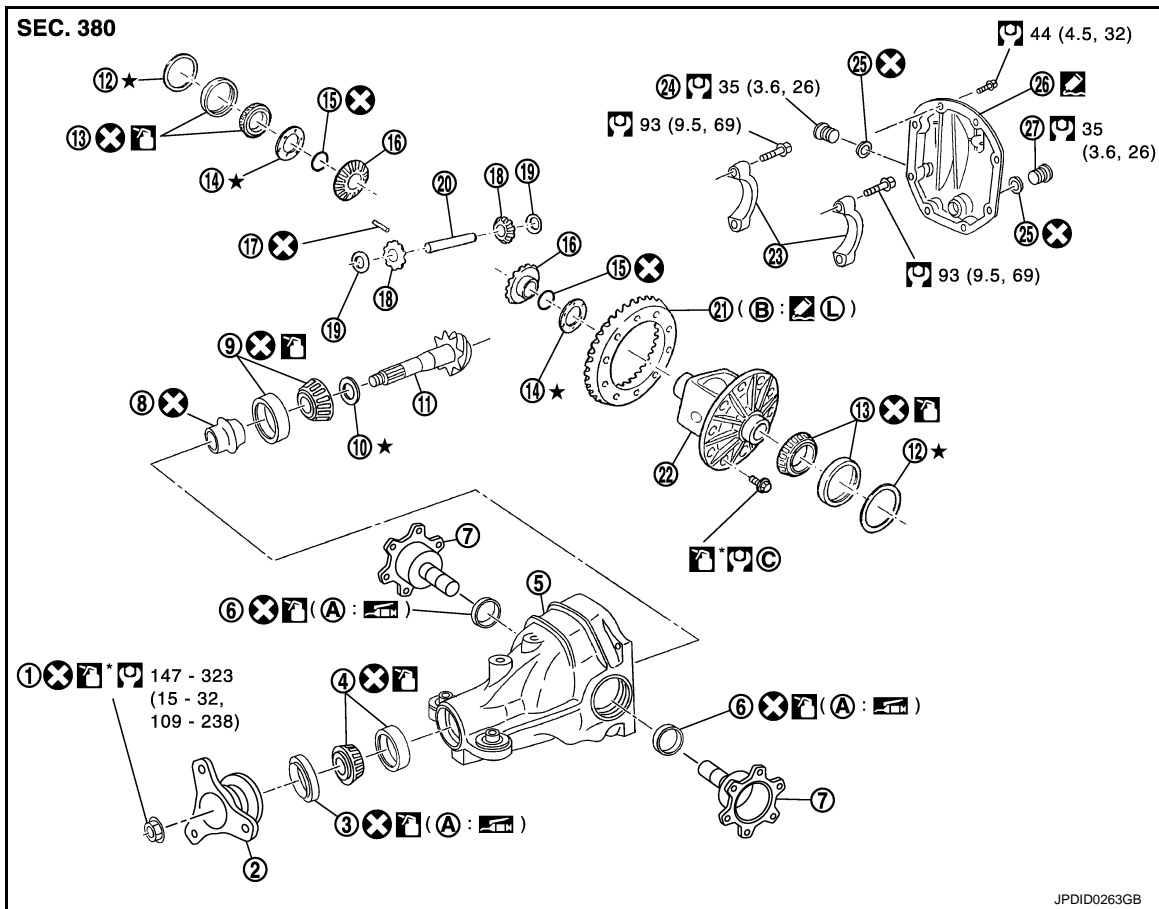
DRIVE PINION

< UNIT DISASSEMBLY AND ASSEMBLY >

[REAR FINAL DRIVE: R200]

A/T : Exploded View

INFOID:000000008157620



- | | | |
|------------------------------------|-----------------------------|-----------------------------------|
| 1. Drive pinion lock nut | 2. Companion flange | 3. Front oil seal |
| 4. Pinion front bearing | 5. Gear carrier | 6. Side oil seal |
| 7. Side flange | 8. Collapsible spacer | 9. Pinion rear bearing |
| 10. Pinion height adjusting washer | 11. Drive pinion | 12. Side bearing adjusting washer |
| 13. Side bearing | 14. Side gear thrust washer | 15. Circular clip |
| 16. Side gear | 17. Lock pin | 18. Pinion mate gear |
| 19. Pinion mate thrust washer | 20. Pinion mate shaft | 21. Drive gear |
| 22. Differential case | 23. Bearing cap | 24. Filler plug |
| 25. Gasket | 26. Rear cover | 27. Drain plug |
- A. Oil seal lip
B. Screw hole
C. Comply with the assembly procedure when tightening. Refer to [DLN-64, "A/T : Assembly"](#).

: Apply gear oil.

*: Apply anti-corrosion oil.

: Apply Genuine Silicone RTV or equivalent. Refer to [GI-22, "Recommended Chemical Products and Sealants"](#).

L: Apply Genuine High Strength Thread Locking Sealant or equivalent. Refer to [GI-22, "Recommended Chemical Products and Sealants"](#).

Refer to [GI-4, "Components"](#) for symbols not described on the above.

A/T : Disassembly

INFOID:000000008157621

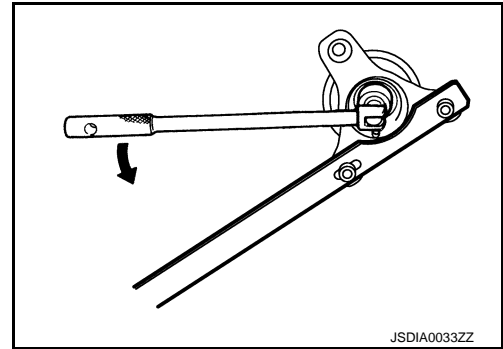
1. Remove differential case assembly. Refer to [DLN-61, "A/T : Disassembly"](#).

DRIVE PINION

< UNIT DISASSEMBLY AND ASSEMBLY >

[REAR FINAL DRIVE: R200]

- Remove drive pinion lock nut, using the flange wrench (commercial service tool).



- Put matching mark (B) on the end of drive pinion. The matching mark should be in line with the matching mark (A) on companion flange (1).

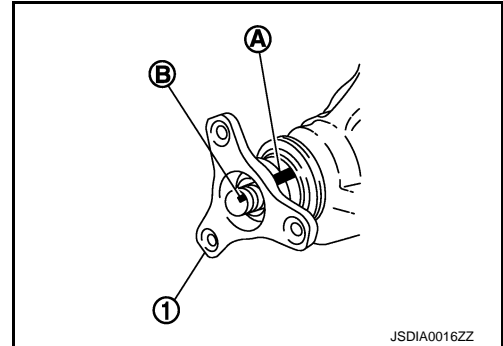
CAUTION:

For matching mark, use paint. Never damage companion flange and drive pinion.

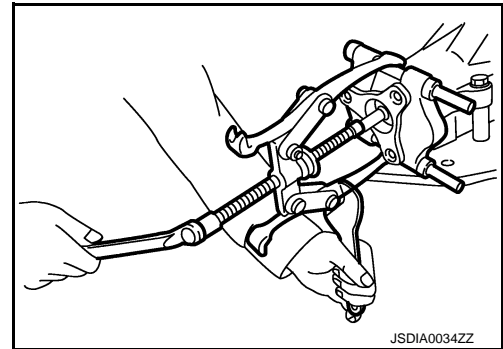
NOTE:

The matching mark on the final drive companion flange indicates the maximum vertical runout position.

When replacing companion flange, matching mark is not necessary.



- Remove companion flange, using a pullers (commercial service tool).

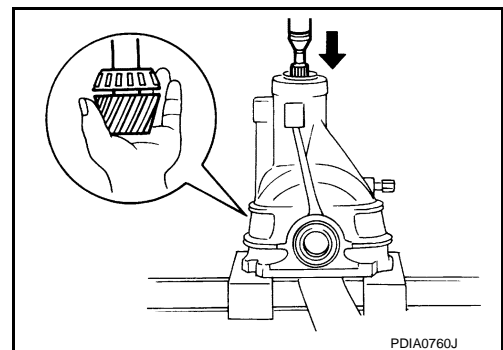


- Press drive pinion assembly out of gear carrier.

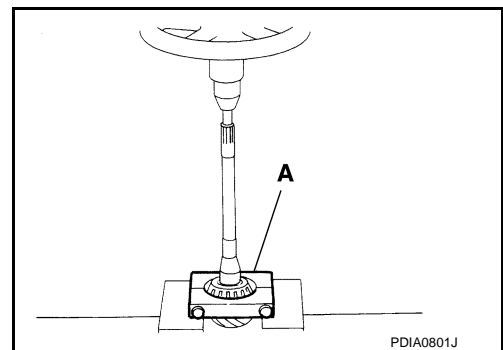
CAUTION:

Never drop drive pinion assembly.

- Remove front oil seal.
- Remove side oil seal.
- Remove pinion front bearing inner race.
- Remove collapsible spacer.



- Remove pinion rear bearing inner race and pinion height adjusting washer, using the replacer (A) (commercial service tool).



A
B
C
DLN
E
F
G
H
I
J
K
L
M
N
O
P

DRIVE PINION

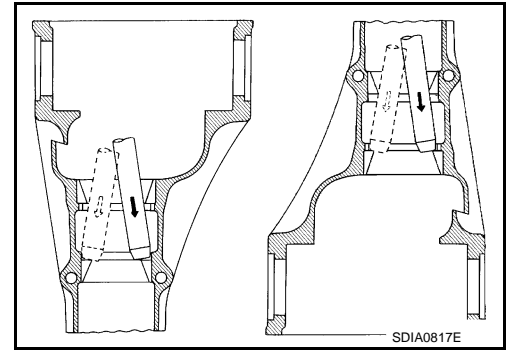
< UNIT DISASSEMBLY AND ASSEMBLY >

[REAR FINAL DRIVE: R200]

11. Tap pinion front/rear bearing outer races uniformly using a brass rod or equivalent to remove them.

CAUTION:

Never damage gear carrier.



A/T : Assembly

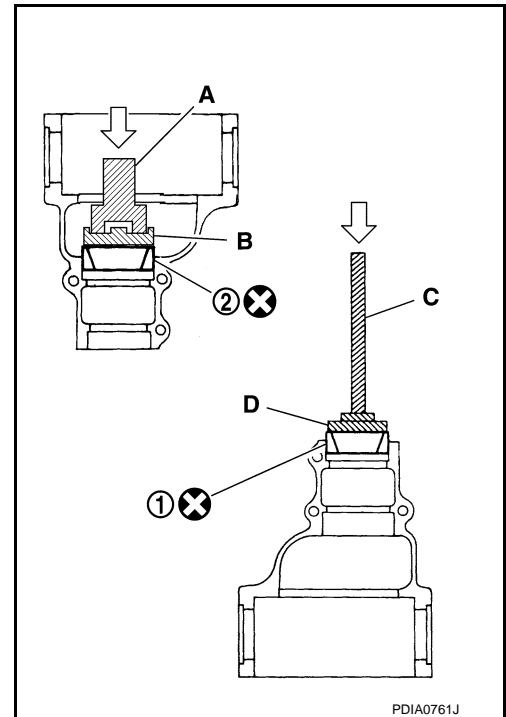
INFOID:000000008157622

1. Install front bearing outer race (1) and rear bearing outer race (2) using drifts (A, B and D) and drift bar (C).

- A : Drift [SST: ST30720000 (J-25405)]
- B : Drift [SST: KV40105230 (—)]
- C : Drift bar [SST: ST30611000 (J-25742-1)]
- D : Drift [SST: ST30613000 (J-25742-3)]

CAUTION:

- At first, using a hammer, tap bearing outer race until it becomes flat to gear carrier.
- Never reuse pinion front and rear bearing outer race.



2. Temporarily install pinion height adjusting washer (1).

When hypoid gear set has been replaced

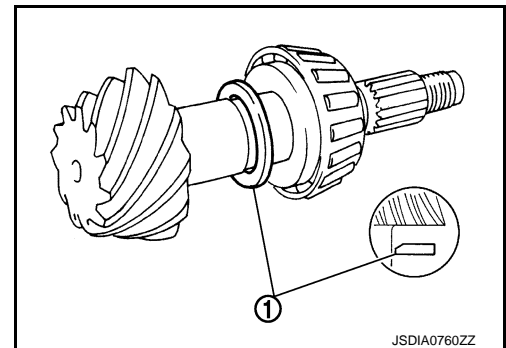
- Select pinion height adjusting washer. Refer to [DLN-88. "A/T : Adjustment"](#).

When hypoid gear set has been reused

- Temporarily install the removed pinion height adjusting washer or same thickness washer to drive pinion.

CAUTION:

Pay attention to the direction of pinion height adjusting washer. (Assemble as shown in the figure.)



DRIVE PINION

< UNIT DISASSEMBLY AND ASSEMBLY >

[REAR FINAL DRIVE: R200]

3. Install pinion rear bearing inner race (1) to drive pinion with the drift (A) [SST: ST30901000 (J-26010-01)].

CAUTION:

Never reuse pinion rear bearing inner race.

4. Check and adjust the tooth contact and back lash of drive gear and drive pinion following the procedure below.
- a. Assemble drive pinion into gear carrier.

CAUTION:

- Do not install collapsible spacer at this time.
- Apply gear oil to pinion rear bearing.

- b. Assemble pinion front bearing inner race to drive pinion assembly.

CAUTION:

- Never reuse pinion front bearing inner race.
- Apply gear oil to pinion front bearing.

- c. Using suitable spacer (A) (commercial service tool), press the pinion front bearing inner race to drive pinion as far as drive pinion nut can be tightened.

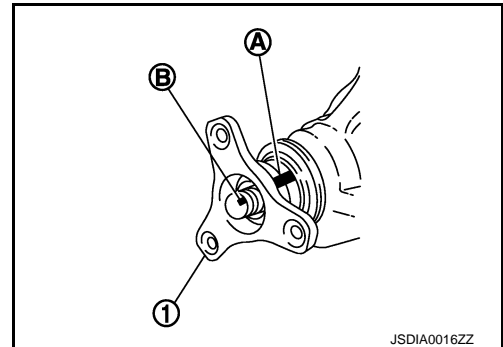
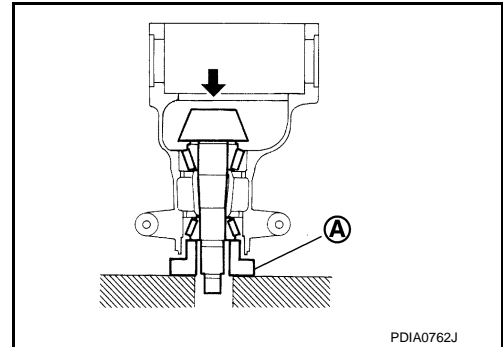
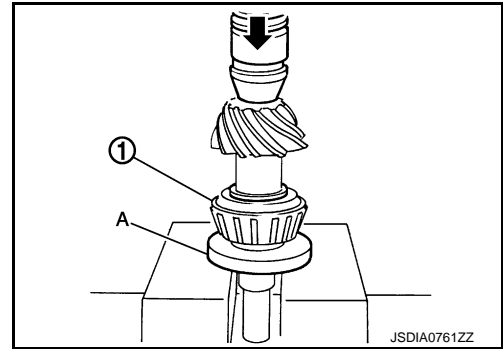
- d. Install companion flange.

CAUTION:

Do not install front oil seal at this time.

NOTE:

When reusing drive pinion, align the matching mark (B) of drive pinion with the matching mark (A) of companion flange, and then install companion flange (1).



A
B
C
DLN
E
F
G
H
I
J
K
L
M
N
O
P

DRIVE PINION

< UNIT DISASSEMBLY AND ASSEMBLY >

[REAR FINAL DRIVE: R200]

- e. Temporarily tighten removed drive pinion nut to drive pinion, using flange wrench (commercial service tool).

A : Preload gauge [SST: ST3127S000 (J-25765-A)]

NOTE:

Use removed drive pinion nut only for the preload measurement.

- f. Rotate drive pinion more than 20 times to adjust bearing.
g. Tighten to drive pinion lock nut using flange wrench (commercial service tool), while adjusting pinion bearing preload torque using preload gauge [SST: ST3127S000 (J-25765-A)].

Pinion bearing preload (without oil seal) : 1.0 - 1.3 N·m (0.11 – 0.13 kg-m, 9 – 11 in-lb)

CAUTION:

Drive pinion nut is tightened with no collapsible spacer. Be careful not to overtighten it. While measuring the preload, tighten drive pinion nut in 5° to 10° increments.

- h. Assemble removed drive side bearing adjusting washer or same thickness of it and install differential case assembly. Refer to [DLN-64. "A/T : Assembly"](#).

CAUTION:

- Apply differential gear oil to the side bearings.
- Install side bearing and side bearing adjusting washer in correct location. (drive gear tooth side or drive gear back side)

- i. Install bearing caps.
j. Check and adjust tooth contact and drive gear to drive pinion backlash. Refer to [DLN-68. "A/T : Adjustment"](#).
k. Remove bearing caps and differential case assembly.

- l. Remove companion flange.

- m. Remove drive pinion assembly from gear carrier.

CAUTION:

Never drop the drive pinion assembly.

- n. Remove pinion front bearing inner race.

5. Assemble collapsible spacer.

CAUTION:

Never reuse collapsible spacer.

6. Assemble drive pinion into gear carrier.

CAUTION:

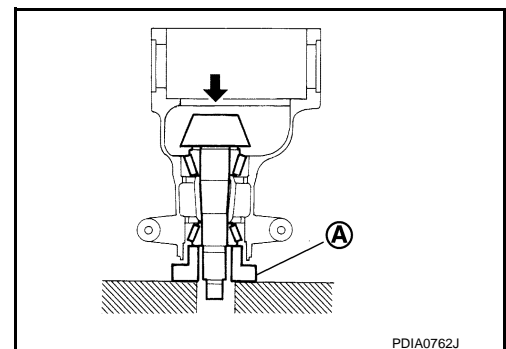
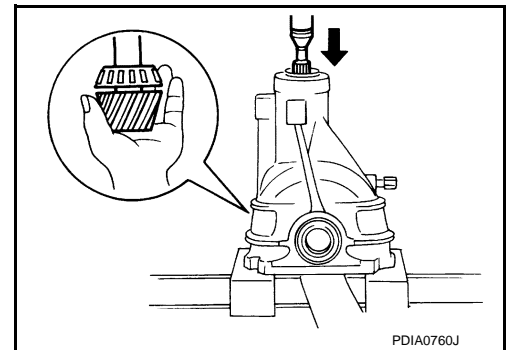
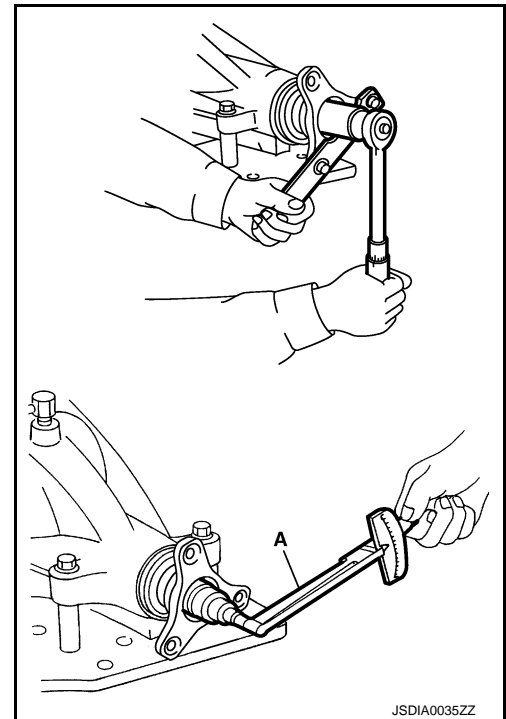
Apply gear oil to pinion rear bearing.

7. Assemble pinion front bearing inner race to drive pinion assembly.

CAUTION:

- Never reuse pinion front bearing inner race.
- Apply gear oil to pinion front bearing.

8. Using suitable spacer (A) (commercial service tool), press the pinion front bearing inner race to drive pinion as far as drive pinion nut can be tightened.



DRIVE PINION

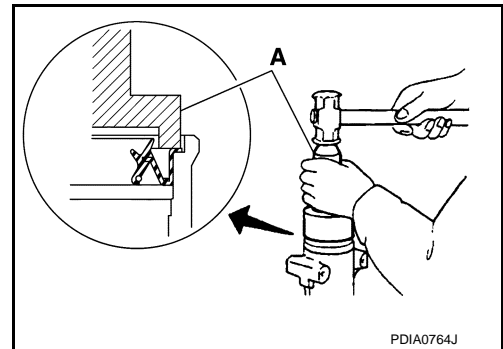
< UNIT DISASSEMBLY AND ASSEMBLY >

[REAR FINAL DRIVE: R200]

9. Using the drift (A) [SST: ST30720000 (J-25405)], install front oil seal as shown in figure.

CAUTION:

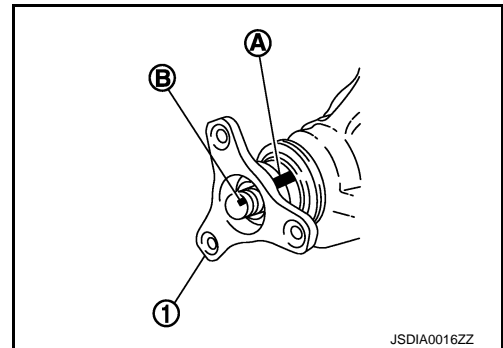
- Never reuse oil seal.
- When installing, never incline oil seal.
- Apply multi-purpose grease onto oil seal lips, and gear oil onto the circumference of oil seal.



10. Install companion flange.

NOTE:

When reusing drive pinion, align the matching mark (B) of drive pinion with the matching mark (A) of companion flange, and then install companion flange (1).



11. Apply anti-corrosion oil to the thread and seat of drive pinion lock nut, and temporarily tighten drive pinion lock nut to drive pinion, using flange wrench (commercial service tool).

A : Preload gauge [SST: ST3127S000 (J-25765-A)]

CAUTION:

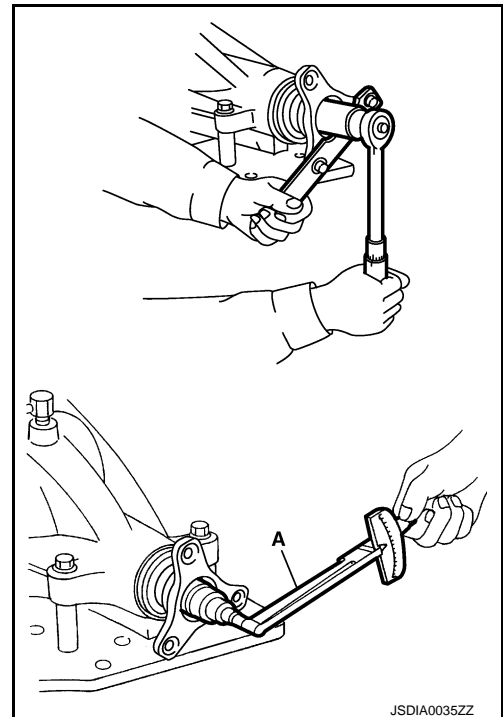
Never reuse drive pinion lock nut.

12. Adjust to the drive pinion lock nut tightening torque and pinion bearing preload torque, using preload gauge [SST: ST3127S000 (J-25765-A)].

Pinion bearing preload : Refer to [DLN-90. "Preload Torque"](#).

CAUTION:

- Adjust to the lower limit of the drive pinion lock nut tightening torque first.
- If the preload torque exceeds the specified value, replace collapsible spacer and tighten it again to adjust. Never loosen drive pinion lock nut to adjust the preload torque.
- After adjustment, rotate drive pinion back and forth 2 to 3 times to check for unusual noise, rotation malfunction, and other malfunctions.



13. Install differential case assembly. Refer to [DLN-64. "A/T : Assembly"](#).

CAUTION:

Do not install rear cover at this time.

14. Check and adjust drive gear runout, tooth contact and drive gear to drive pinion backlash, and companion flange runout. Refer to [DLN-68. "A/T : Adjustment"](#) and [DLN-88. "A/T : Adjustment"](#). Recheck above items. Readjust the above description, if necessary.
15. Check total preload torque. Refer to [DLN-68. "A/T : Adjustment"](#).
16. Install rear cover. Refer to [DLN-64. "A/T : Assembly"](#).

A
B
C
DLN
E
F
G
H
I
J
K
L
M
N
O
P

DRIVE PINION

< UNIT DISASSEMBLY AND ASSEMBLY >

[REAR FINAL DRIVE: R200]

INFOID:000000008157623

A/T : Adjustment

PINION GEAR HEIGHT

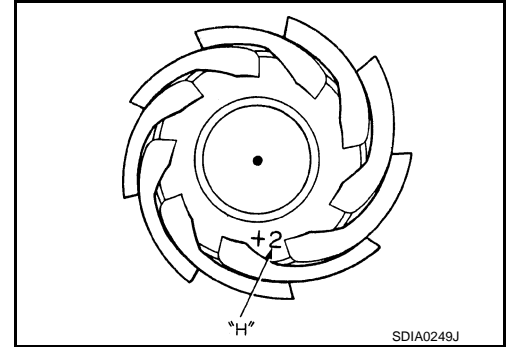
If the hypoid gear set has been replaced, select the pinion height adjusting washer.

1. Use the formula below to calculate pinion height adjusting washer thickness.

Washer selection equation:

$$T = T_0 + (t_1 - t_2)$$

- T:** Correct washer thickness
- T₀:** Removed washer thickness
- t₁:** Old drive pinion head letter "H × 0.01"
("H": machined tolerance 1/100 mm × 100)
- t₂:** New drive pinion head letter "H × 0.01"
("H": machined tolerance 1/100 mm × 100)



Example:

$$T = 3.21 + [(2 \times 0.01) - (-1 \times 0.01)] = 3.24$$

- T₀:** 3.21
- t₁:** +2
- t₂:** -1

2. Select the proper pinion height adjusting washer. For selecting adjusting washer, refer to the latest parts information.

CAUTION:

If unable to find a washer of desired thickness, use a washer with thickness closest to the calculated value.

Example:

Calculated value... T = 3.22 mm

Used washer... T = 3.21 mm

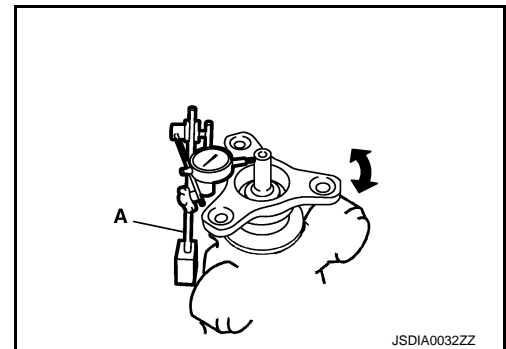
DRIVE PINION RUNOUT

1. Set a dial indicator (A) vertically to the tip of the drive pinion.
2. Rotate drive pinion to check for runout.

Limit

Drive pinion runout : Refer to [DLN-91, "Drive Pinion Runout \(A/T\)"](#).

3. If the runout value is outside of the limit, possible causes are an assembly malfunction of drive pinion and pinion bearing and malfunction of pinion bearing. Check for these items and repair if necessary.



A/T : Inspection After Disassembly

INFOID:000000008157624

DRIVE GEAR AND DRIVE PINION

- Clean up the disassembled parts.
- If the gear teeth never mesh or line-up correctly, determine the cause and adjust or replace as necessary.
- If the gears are worn, cracked, damaged, pitted or chipped (by friction) noticeably, replace with new drive gear and drive pinion as a set.

BEARING

- Clean up the disassembled parts.

DRIVE PINION

< UNIT DISASSEMBLY AND ASSEMBLY >

[REAR FINAL DRIVE: R200]

- If any chipped (by friction), pitted, worn, rusted or scratched marks, or unusual noise from the bearing is observed, replace as a bearing assembly (as a new set).

A

SIDE GEAR AND PINION MATE GEAR

- Clean up the disassembled parts.
- If any cracks or damage on the surface of the tooth is found, replace.
- If any worn or chipped mark on the contact sides of the thrust washer is found, replace.

B

SIDE GEAR THRUST WASHER AND PINION MATE THRUST WASHER

- Clean up the disassembled parts.
- If it is chipped (by friction), damaged, or unusually worn, replace.

C

OIL SEAL

- Whenever disassembled, replace.
- If wear, deterioration of adherence (sealing force lips), or damage is detected on the lips, replace them.

DLN

DIFFERENTIAL CASE

- Clean up the disassembled parts.
- If any wear or crack on the contact sides of the differential case is found, replace.

E

COMPANION FLANGE

- Clean up the disassembled parts.
- If any chipped mark [about 0.1 mm, (0.004 in)] or other damage on the contact sides of the lips of the companion flange is found, replace.

F

G

H

I

J

K

L

M

N

O

P

SERVICE DATA AND SPECIFICATIONS (SDS)

< SERVICE DATA AND SPECIFICATIONS (SDS)

[REAR FINAL DRIVE: R200]

SERVICE DATA AND SPECIFICATIONS (SDS)

SERVICE DATA AND SPECIFICATIONS (SDS)

General Specification

INFOID:000000008157625

Applied model	2WD	
	VQ37VHR	
	M/T	A/T
Final drive model	R200	
Gear ratio	3.916	3.357
Number of teeth (Drive gear/Drive pinion)	47/12	47/14
Oil capacity (Approx.) ℓ (US pt, Imp pt)	1.4 (3, 2-1/2)	
Number of pinion gears	2	
Drive pinion adjustment spacer type	Collapsible	

Drive Gear Runout

INFOID:000000008157626

Unit: mm (in)

Item	Limit
Drive gear back face runout	0.05 (0.0020)

Differential Side Gear Clearance

INFOID:000000008157627

Unit: mm (in)

Item	Standard
Side gear backlash (Clearance between side gear and differential case)	0.20 (0.0079) or less (Each gear should rotate smoothly without excessive resistance during differential motion.)

Preload Torque

INFOID:000000008157628

Unit: N·m (kg·m, in·lb)

Item	Standard
Pinion bearing (P1)	2.65 – 3.23 (0.27 – 0.32, 24 – 28)
Side bearing (P2)	0.20 – 0.52 (0.02 – 0.05, 2 – 4)
Side bearing to pinion bearing (Total preload) (Total preload = P1 + P2)	2.85 – 3.75 (0.29 – 0.38, 26 – 33)

Backlash

INFOID:000000008157629

Unit: mm (in)

Item	Standard
Drive gear to drive pinion gear	0.10 – 0.15 (0.0039 – 0.0059)

Companion Flange Runout (M/T)

INFOID:000000008157630

Unit: mm (in)

Item	Limit
Companion flange face runout	0.08 (0.0031)
Inner side of the companion flange runout	0.08 (0.0031)

SERVICE DATA AND SPECIFICATIONS (SDS)

< SERVICE DATA AND SPECIFICATIONS (SDS)

[REAR FINAL DRIVE: R200]

Drive Pinion Runout (A/T)

INFOID:000000008157631

Unit: mm (in)

Item	Limit
Tip of drive pinion runout	0.8 (0.031)

A

B

C

DLN

E

F

G

H

I

J

K

L

M

N

O

P