

SECTION **PWO**
POWER OUTLET

A
B
C
D
E
F
G
H
I
J
K
L
N
O
P

CONTENTS

DTC/CIRCUIT DIAGNOSIS	2	Precaution for Battery Service	6
CIGARETTE LIGHTER	2	REMOVAL AND INSTALLATION	7
Wiring Diagram - CIGARETTE LIGHTER -	2	CIGARETTE LIGHTER	7
POWER SOCKET	4	Exploded View	7
Wiring Diagram - POWER SOCKET -	4	Removal and Installation	7
PRECAUTION	6	POWER SOCKET	8
PRECAUTIONS	6	Exploded View	8
Precaution for Supplemental Restraint System (SRS) "AIR BAG" and "SEAT BELT PRE-TEN- SIONER"	6	Removal and Installation	8

PWO

CIGARETTE LIGHTER

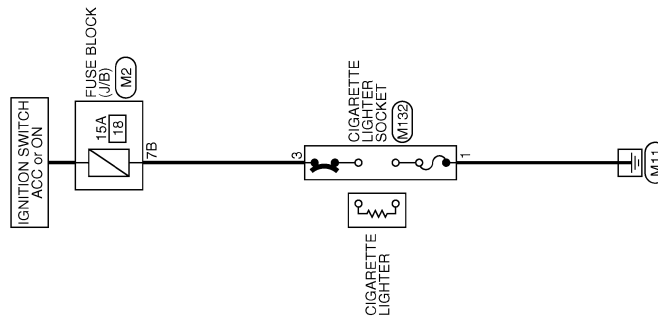
< DTC/CIRCUIT DIAGNOSIS >

DTC/CIRCUIT DIAGNOSIS

CIGARETTE LIGHTER

Wiring Diagram - CIGARETTE LIGHTER -

INFOID:000000004247733



CIGARETTE LIGHTER

2008/08/22

JCMWM3042G

CIGARETTE LIGHTER

< DTC/CIRCUIT DIAGNOSIS >

CIGARETTE LIGHTER

Connector No.	M2
Connector Name	FUSE BLOCK (J/B)
Connector Type	NSCPTW-CS



Terminal No.	Color of Wire	Signal Name [Specification]
7B	P	-

Connector No.	M132
Connector Name	CIGARETTE LIGHTER SOCKET
Connector Type	NSCPTW-CS



Terminal No.	Color of Wire	Signal Name [Specification]
1	B	-
3	P	-

A
B
C
D
E
F
G
H
I
J
K
L
PWO
N
O
P

JCMWM3043GI

PRECAUTIONS

< PRECAUTION >

PRECAUTION

PRECAUTIONS

Precaution for Supplemental Restraint System (SRS) "AIR BAG" and "SEAT BELT PRE-TENSIONER"

INFOID:000000004685055

The Supplemental Restraint System such as "AIR BAG" and "SEAT BELT PRE-TENSIONER", used along with a front seat belt, helps to reduce the risk or severity of injury to the driver and front passenger for certain types of collision. This system includes seat belt switch inputs and dual stage front air bag modules. The SRS system uses the seat belt switches to determine the front air bag deployment, and may only deploy one front air bag, depending on the severity of a collision and whether the front occupants are belted or unbelted. Information necessary to service the system safely is included in the "SRS AIR BAG" and "SEAT BELT" of this Service Manual.

WARNING:

- To avoid rendering the SRS inoperative, which could increase the risk of personal injury or death in the event of a collision which would result in air bag inflation, all maintenance must be performed by an authorized NISSAN/INFINITI dealer.
- Improper maintenance, including incorrect removal and installation of the SRS, can lead to personal injury caused by unintentional activation of the system. For removal of Spiral Cable and Air Bag Module, see the "SRS AIR BAG".
- Do not use electrical test equipment on any circuit related to the SRS unless instructed to in this Service Manual. SRS wiring harnesses can be identified by yellow and/or orange harnesses or harness connectors.

PRECAUTIONS WHEN USING POWER TOOLS (AIR OR ELECTRIC) AND HAMMERS

WARNING:

- When working near the Air Bag Diagnosis Sensor Unit or other Air Bag System sensors with the ignition ON or engine running, DO NOT use air or electric power tools or strike near the sensor(s) with a hammer. Heavy vibration could activate the sensor(s) and deploy the air bag(s), possibly causing serious injury.
- When using air or electric power tools or hammers, always switch the ignition OFF, disconnect the battery, and wait at least 3 minutes before performing any service.

Precaution for Battery Service

INFOID:000000004685056

Before disconnecting the battery, lower both the driver and passenger windows. This will prevent any interference between the window edge and the vehicle when the door is opened/closed. During normal operation, the window slightly raises and lowers automatically to prevent any window to vehicle interference. The automatic window function will not work with the battery disconnected.

CIGARETTE LIGHTER

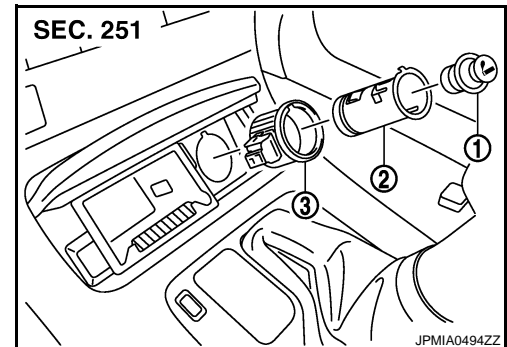
< REMOVAL AND INSTALLATION >

REMOVAL AND INSTALLATION

CIGARETTE LIGHTER

Exploded View

- 1 : Cigarette lighter
- 2 : Cigarette lighter socket
- 3 : Cigarette lighter ring

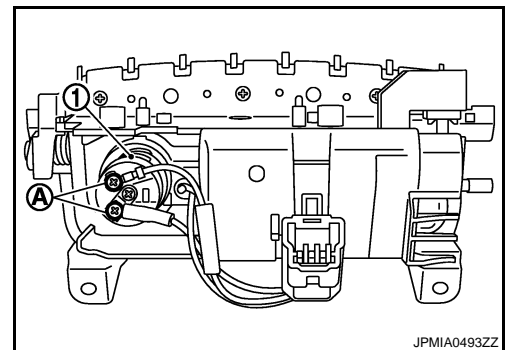


Removal and Installation

INFOID:000000004247738

REMOVAL

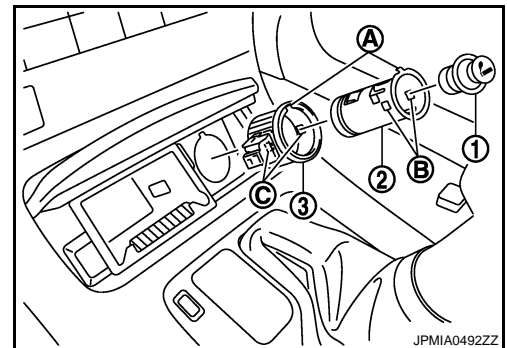
1. Remove console finisher assembly. Refer to [IP-24, "Removal and Installation"](#).
2. Remove the screws (A) from reverse side cigarette lighter socket (1).



3. Pull out cigarette lighter (1).

A : Cut out

4. Pull out cigarette lighter socket (2) by pushing the cigarette lighter ring pawl (C) from the cigarette lighter socket hole (square) (B).
5. Remove cigarette lighter ring (3) from console finisher assembly while pressing pawls.



INSTALLATION

Install in the reverse order of removal.

NOTE:

Align the cut outs of cigarette lighter socket and cigarette lighter ring.

POWER SOCKET

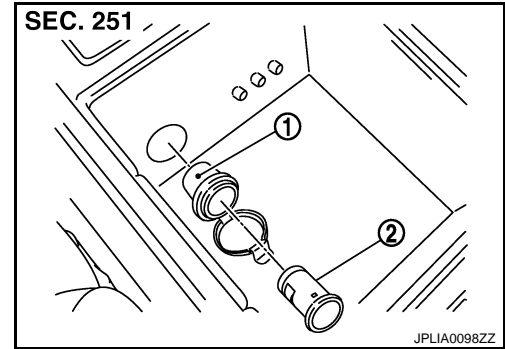
< REMOVAL AND INSTALLATION >

POWER SOCKET

Exploded View

INFOID:000000004247739

- 1 : Ring
- 2 : Inner socket



Removal and Installation

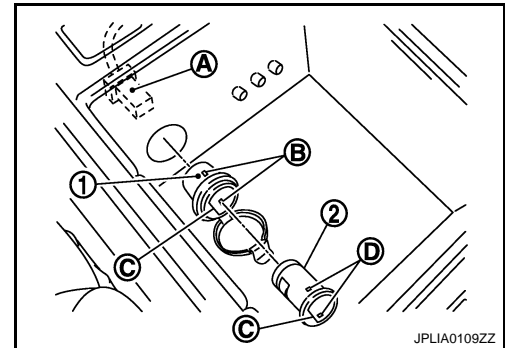
INFOID:000000004247740

REMOVAL

1. Remove rear upper console assembly (A/T models) or center console assembly (M/T models). Refer to [IP-24, "Removal and Installation"](#).
2. Disconnect power socket connector (A).

C : Cut out

3. Pull out inner socket (2) by pushing the ring pawl (B) from the inner socket hole (square) (D).
4. Remove ring (1) from console box while pressing pawls.



INSTALLATION

Install in the reverse order of removal.

NOTE:

Align the cut outs of inner socket and ring.