

SECTION **SE**  
SEAT

A  
B  
C

CONTENTS

<b>BASIC INSPECTION</b> .....	7	POWER WALK-IN FUNCTION : Component Parts Location .....	14	F
<b>DIAGNOSIS AND REPAIR WORK FLOW</b> .....	7	POWER WALK-IN FUNCTION : Component Description .....	14	G
Work Flow .....	7	<b>POWER SEAT FOR PASSENGER SIDE</b> .....	16	
<b>INSPECTION AND ADJUSTMENT</b> .....	8	<b>POWER SEAT FUNCTION</b> .....	16	H
<b>ADDITIONAL SERVICE WHEN REMOVING BATTERY NEGATIVE TERMINAL</b> .....	8	POWER SEAT FUNCTION : System Diagram .....	16	
ADDITIONAL SERVICE WHEN REMOVING BATTERY NEGATIVE TERMINAL : Description .....	8	POWER SEAT FUNCTION : System Description.....	16	
ADDITIONAL SERVICE WHEN REMOVING BATTERY NEGATIVE TERMINAL : Special Repair Requirement .....	8	POWER SEAT FUNCTION : Component Parts Location .....	17	I
<b>ADDITIONAL SERVICE WHEN REPLACING CONTROL UNIT</b> .....	8	POWER SEAT FUNCTION : Component Description .....	18	SE
ADDITIONAL SERVICE WHEN REPLACING CONTROL UNIT : Description .....	8	<b>POWER WALK-IN FUNCTION</b> .....	18	
ADDITIONAL SERVICE WHEN REPLACING CONTROL UNIT : Special Repair Requirement .....	8	POWER WALK-IN FUNCTION : System Diagram....	18	K
<b>SYSTEM INITIALIZATION</b> .....	8	POWER WALK-IN FUNCTION : System Description .....	18	
SYSTEM INITIALIZATION : Description .....	8	POWER WALK-IN FUNCTION : Component Parts Location .....	21	L
SYSTEM INITIALIZATION : Special Repair Requirement .....	8	POWER WALK-IN FUNCTION : Component Description .....	21	
<b>SYSTEM DESCRIPTION</b> .....	9	<b>SIDE SUPPORT UNIT</b> .....	23	M
<b>POWER SEAT FOR DRIVER SIDE</b> .....	9	System Description .....	23	
<b>POWER SEAT FUNCTION</b> .....	9	Component Parts Location .....	23	N
POWER SEAT FUNCTION : System Diagram .....	9	Component Description .....	23	
POWER SEAT FUNCTION : System Description.....	9	<b>HEATED SEAT</b> .....	24	O
POWER SEAT FUNCTION : Component Parts Location .....	10	System Diagram .....	24	
POWER SEAT FUNCTION : Component Description .....	11	System Description .....	24	
<b>POWER WALK-IN FUNCTION</b> .....	11	Component Parts Location .....	25	
POWER WALK-IN FUNCTION : System Diagram....	11	Component Description .....	25	P
POWER WALK-IN FUNCTION : System Description .....	11	<b>LUMBAR SUPPORT</b> .....	26	
		System Description .....	26	
		Component Parts Location .....	26	
		Component Description .....	26	
		<b>DIAGNOSIS SYSTEM (DRIVER SEAT C/U)</b> ....	27	
		Diagnosis Description .....	27	

D  
E

F  
G

H  
I

J  
K

L  
M

N  
O

P

CONSULT-III Function .....	27	DRIVER SIDE : Diagnosis Procedure .....	47
<b>DTC/CIRCUIT DIAGNOSIS .....</b>	<b>30</b>	DRIVER SIDE : Component Inspection .....	48
<b>U1000 CAN COMM CIRCUIT .....</b>	<b>30</b>	<b>PASSENGER SIDE .....</b>	<b>48</b>
Description .....	30	PASSENGER SIDE : Description .....	48
DTC Logic .....	30	PASSENGER SIDE :	
Diagnosis Procedure .....	30	Component Function Check .....	48
Special Repair Requirement .....	30	PASSENGER SIDE : Diagnosis Procedure .....	49
<b>B2112 SLIDING MOTOR .....</b>	<b>31</b>	PASSENGER SIDE : Component Inspection .....	50
Description .....	31	<b>LIFTING SWITCH (FRONT) .....</b>	<b>51</b>
DTC Logic .....	31	<b>DRIVER SIDE .....</b>	<b>51</b>
Diagnosis Procedure .....	31	DRIVER SIDE : Description .....	51
<b>B2113 RECLINING MOTOR .....</b>	<b>33</b>	DRIVER SIDE : Component Function Check .....	51
Description .....	33	DRIVER SIDE : Diagnosis Procedure .....	51
DTC Logic .....	33	DRIVER SIDE : Component Inspection .....	52
Diagnosis Procedure .....	33	<b>PASSENGER SIDE .....</b>	<b>52</b>
<b>POWER SUPPLY AND GROUND CIRCUIT ....</b>	<b>35</b>	PASSENGER SIDE : Description .....	52
<b>DRIVER SEAT CONTROL UNIT .....</b>	<b>35</b>	PASSENGER SIDE :	
DRIVER SEAT CONTROL UNIT :		Component Function Check .....	52
Diagnosis Procedure .....	35	PASSENGER SIDE : Diagnosis Procedure .....	53
<b>PASSENGER SEAT CONTROL UNIT .....</b>	<b>35</b>	PASSENGER SIDE : Component Inspection .....	54
PASSENGER SEAT CONTROL UNIT :		<b>LIFTING SWITCH (REAR) .....</b>	<b>55</b>
Diagnosis Procedure .....	35	<b>DRIVER SIDE .....</b>	<b>55</b>
<b>HEATED SEAT CONTROL UNIT .....</b>	<b>36</b>	DRIVER SIDE : Description .....	55
HEATED SEAT CONTROL UNIT : Diagnosis Pro-		DRIVER SIDE : Component Function Check .....	55
cedure .....	36	DRIVER SIDE : Diagnosis Procedure .....	55
<b>HEATED SEAT SWITCH .....</b>	<b>38</b>	DRIVER SIDE : Component Inspection .....	56
HEATED SEAT SWITCH : Diagnosis Procedure ...	38	<b>PASSENGER SIDE .....</b>	<b>56</b>
<b>SLIDING SWITCH .....</b>	<b>41</b>	PASSENGER SIDE : Description .....	56
<b>DRIVER SIDE .....</b>	<b>41</b>	PASSENGER SIDE :	
DRIVER SIDE : Description .....	41	Component Function Check .....	56
DRIVER SIDE : Component Function Check .....	41	PASSENGER SIDE : Diagnosis Procedure .....	57
DRIVER SIDE : Diagnosis Procedure .....	41	PASSENGER SIDE : Component Inspection .....	58
DRIVER SIDE : Component Inspection .....	42	<b>POWER SEAT SWITCH GROUND CIRCUIT ...</b>	<b>59</b>
<b>PASSENGER SIDE .....</b>	<b>42</b>	<b>DRIVER SIDE .....</b>	<b>59</b>
PASSENGER SIDE : Description .....	42	DRIVER SIDE : Diagnosis Procedure .....	59
PASSENGER SIDE :		<b>PASSENGER SIDE .....</b>	<b>59</b>
Component Function Check .....	42	PASSENGER SIDE : Diagnosis Procedure .....	59
PASSENGER SIDE : Diagnosis Procedure .....	43	<b>FORWARD SWITCH .....</b>	<b>61</b>
PASSENGER SIDE : Component Inspection .....	44	<b>DRIVER SIDE .....</b>	<b>61</b>
<b>SEATBACK .....</b>	<b>44</b>	DRIVER SIDE : Description .....	61
SEATBACK : Description .....	44	DRIVER SIDE : Component Function Check .....	61
SEATBACK : Component Function Check .....	44	DRIVER SIDE : Diagnosis Procedure .....	61
SEATBACK : Diagnosis Procedure .....	44	DRIVER SIDE : Component Inspection .....	62
SEATBACK : Component Inspection .....	46	<b>PASSENGER SIDE .....</b>	<b>62</b>
<b>RECLINING SWITCH .....</b>	<b>47</b>	PASSENGER SIDE : Description .....	62
<b>DRIVER SIDE .....</b>	<b>47</b>	PASSENGER SIDE : Component Function Check	... 62
DRIVER SIDE : Description .....	47	PASSENGER SIDE : Diagnosis Procedure .....	63
DRIVER SIDE : Component Function Check .....	47	PASSENGER SIDE : Component Inspection .....	64

<b>SEAT BELT BUCKLE SWITCH</b> .....	<b>65</b>	<b>SLIDING MOTOR</b> .....	<b>84</b>	A
<b>DRIVER SIDE</b> .....	<b>65</b>	<b>DRIVER SIDE</b> .....	<b>84</b>	B
DRIVER SIDE : Description .....	65	DRIVER SIDE : Description .....	84	
DRIVER SIDE : Component Function Check .....	65	DRIVER SIDE : Component Function Check .....	84	
DRIVER SIDE : Diagnosis Procedure .....	65	DRIVER SIDE : Diagnosis Procedure .....	84	
DRIVER SIDE : Component Inspection .....	66	DRIVER SIDE : Component Inspection .....	85	
<b>PASSENGER SIDE</b> .....	<b>66</b>	<b>PASSENGER SIDE</b> .....	<b>85</b>	C
PASSENGER SIDE : Description .....	66	PASSENGER SIDE : Description .....	85	
PASSENGER SIDE : Component Function Check .....	66	PASSENGER SIDE : Component Function Check .....	85	
PASSENGER SIDE : Diagnosis Procedure .....	67	PASSENGER SIDE : Diagnosis Procedure .....	86	D
PASSENGER SIDE : Component Inspection .....	68	PASSENGER SIDE : Component Inspection .....	87	
<b>SLIDING LIMIT SWITCH</b> .....	<b>69</b>	<b>RECLINING MOTOR</b> .....	<b>88</b>	E
<b>DRIVER SIDE</b> .....	<b>69</b>	<b>DRIVER SIDE</b> .....	<b>88</b>	F
DRIVER SIDE : Description .....	69	DRIVER SIDE : Description .....	88	
DRIVER SIDE : Component Function Check .....	69	DRIVER SIDE : Component Function Check .....	88	
DRIVER SIDE : Diagnosis Procedure .....	69	DRIVER SIDE : Diagnosis Procedure .....	88	
DRIVER SIDE : Component Inspection .....	70	DRIVER SIDE : Component Inspection .....	89	
<b>PASSENGER SIDE</b> .....	<b>70</b>	<b>PASSENGER SIDE</b> .....	<b>89</b>	G
PASSENGER SIDE : Description .....	70	PASSENGER SIDE : Description .....	89	
PASSENGER SIDE : Component Function Check .....	70	PASSENGER SIDE : Component Function Check .....	89	
PASSENGER SIDE : Diagnosis Procedure .....	71	PASSENGER SIDE : Diagnosis Procedure .....	89	H
PASSENGER SIDE : Component Inspection .....	72	PASSENGER SIDE : Component Inspection .....	90	
<b>POWER WALK-IN SWITCH</b> .....	<b>73</b>	<b>LIFTING MOTOR (FRONT)</b> .....	<b>92</b>	I
<b>DRIVER SIDE</b> .....	<b>73</b>	<b>DRIVER SIDE</b> .....	<b>92</b>	SE
DRIVER SIDE : Description .....	73	DRIVER SIDE : Description .....	92	
DRIVER SIDE : Component Function Check .....	73	DRIVER SIDE : Component Function Check .....	92	
DRIVER SIDE : Diagnosis Procedure .....	73	DRIVER SIDE : Diagnosis Procedure .....	92	
DRIVER SIDE : Component Inspection .....	74	DRIVER SIDE : Component Inspection .....	93	K
<b>PASSENGER SIDE</b> .....	<b>74</b>	<b>PASSENGER SIDE</b> .....	<b>93</b>	L
PASSENGER SIDE : Description .....	74	PASSENGER SIDE : Description .....	93	
PASSENGER SIDE : Component Function Check .....	74	PASSENGER SIDE : Component Function Check .....	93	
PASSENGER SIDE : Diagnosis Procedure .....	75	PASSENGER SIDE : Diagnosis Procedure .....	93	
PASSENGER SIDE : Component Inspection .....	76	PASSENGER SIDE : Component Inspection .....	94	M
<b>DOOR SWITCH</b> .....	<b>77</b>	<b>LIFTING MOTOR (REAR)</b> .....	<b>96</b>	N
Description .....	77	<b>DRIVER SIDE</b> .....	<b>96</b>	
Component Function Check .....	77	DRIVER SIDE : Description .....	96	
Diagnosis Procedure .....	77	DRIVER SIDE : Component Function Check .....	96	
<b>SLIDING SENSOR</b> .....	<b>79</b>	DRIVER SIDE : Diagnosis Procedure .....	96	O
<b>DRIVER SIDE</b> .....	<b>79</b>	DRIVER SIDE : Component Inspection .....	97	
DRIVER SIDE : Description .....	79	<b>PASSENGER SIDE</b> .....	<b>97</b>	P
DRIVER SIDE : Component Function Check .....	79	PASSENGER SIDE : Description .....	97	
DRIVER SIDE : Diagnosis Procedure .....	79	PASSENGER SIDE : Component Function Check .....	97	
<b>PASSENGER SIDE</b> .....	<b>81</b>	PASSENGER SIDE : Diagnosis Procedure .....	97	
PASSENGER SIDE : Description .....	81	PASSENGER SIDE : Component Inspection .....	98	
PASSENGER SIDE : Component Function Check .....	81	<b>HEATED SEAT SWITCH</b> .....	<b>100</b>	
PASSENGER SIDE : Diagnosis Procedure .....	81	<b>DRIVER SIDE</b> .....	<b>100</b>	

DRIVER SIDE : Description .....	100	<b>DRIVER SIDE .....</b>	<b>117</b>
DRIVER SIDE : Component Function Check .....	100	DRIVER SIDE : Description .....	117
DRIVER SIDE : Diagnosis Procedure .....	100	DRIVER SIDE : Component Function Check .....	117
DRIVER SIDE : Component Inspection .....	101	DRIVER SIDE : Diagnosis Procedure .....	117
<b>PASSENGER SIDE .....</b>	<b>101</b>	<b>PASSENGER SIDE .....</b>	<b>117</b>
PASSENGER SIDE : Description .....	101	PASSENGER SIDE : Description .....	117
PASSENGER SIDE :		PASSENGER SIDE :	
Component Function Check .....	101	Component Function Check .....	117
PASSENGER SIDE : Diagnosis Procedure .....	102	PASSENGER SIDE : Diagnosis Procedure .....	117
PASSENGER SIDE : Component Inspection .....	103		
<b>HEATED SEAT RELAY .....</b>	<b>104</b>	<b>LUMBAR SUPPORT .....</b>	<b>119</b>
Description .....	104	Wiring Diagram - LUMBAR SUPPORT - .....	119
Component Function Check .....	104		
Diagnosis Procedure .....	104	<b>SIDE SUPPORT .....</b>	<b>123</b>
Component Inspection .....	105	Wiring Diagram - SIDE SUPPORT - .....	123
<b>HEAT SENSOR .....</b>	<b>106</b>		
<b>DRIVER SIDE .....</b>	<b>106</b>	<b>ECU DIAGNOSIS INFORMATION .....</b>	<b>127</b>
DRIVER SIDE : Description .....	106	<b>DRIVER SEAT CONTROL UNIT (WITHOUT</b>	
DRIVER SIDE : Component Function Check .....	106	<b>AUTOMATIC DRIVE POSITIONER) .....</b>	<b>127</b>
DRIVER SIDE : Diagnosis Procedure .....	106	Reference Value .....	127
DRIVER SIDE : Component Inspection .....	107	Wiring Diagram - POWER SEAT SYSTEM FOR	
		DRIVER SIDE (WITHOUT AUTOMATIC DRIVE	
<b>PASSENGER SIDE .....</b>	<b>108</b>	POSITIONER) - .....	129
PASSENGER SIDE : Description .....	108	Fail-Safe .....	136
PASSENGER SIDE : Component Function Check .....	108	DTC Index .....	137
		<b>PASSENGER SEAT CONTROL UNIT .....</b>	<b>139</b>
PASSENGER SIDE : Diagnosis Procedure .....	108	Reference Value .....	139
PASSENGER SIDE : Component Inspection .....	110	Wiring Diagram - POWER SEAT SYSTEM FOR	
		PASSENGER SIDE - .....	142
<b>SEAT CUSHION HEATER .....</b>	<b>111</b>	<b>HEATED SEAT CONTROL UNIT .....</b>	<b>148</b>
<b>DRIVER SIDE .....</b>	<b>111</b>	Reference Value .....	148
DRIVER SIDE : Description .....	111	Wiring Diagram - HEATED SEAT SYSTEM (WITH	
DRIVER SIDE : Component Function Check .....	111	M/T) - .....	149
DRIVER SIDE : Diagnosis Procedure .....	111	Wiring Diagram - HEATED SEAT SYSTEM (WITH	
DRIVER SIDE : Component Inspection .....	112	A/T) - .....	155
<b>PASSENGER SIDE .....</b>	<b>112</b>	<b>SYMPTOM DIAGNOSIS .....</b>	<b>162</b>
PASSENGER SIDE : Description .....	112	<b>ALL COMPONENTS OF POWER SEAT DO</b>	
PASSENGER SIDE :		<b>NOT OPERATE .....</b>	<b>162</b>
Component Function Check .....	112	<b>DRIVER SIDE .....</b>	<b>162</b>
PASSENGER SIDE : Diagnosis Procedure .....	112	DRIVER SIDE : Diagnosis Procedure .....	162
PASSENGER SIDE : Component Inspection .....	114	<b>PASSENGER SIDE .....</b>	<b>162</b>
		PASSENGER SIDE : Diagnosis Procedure .....	162
<b>SEATBACK HEATER .....</b>	<b>115</b>	<b>POWER SEAT SWITCH (PASSENGER SIDE)</b>	
<b>DRIVER SIDE .....</b>	<b>115</b>	<b>DOES NOT OPERATE ANY COMPONENTS..</b>	<b>163</b>
DRIVER SIDE : Description .....	115	Diagnosis Procedure .....	163
DRIVER SIDE : Component Function Check .....	115	<b>SLIDING FUNCTION DOES NOT OPERATE..</b>	<b>164</b>
DRIVER SIDE : Diagnosis Procedure .....	115	<b>DRIVER SIDE .....</b>	<b>164</b>
<b>PASSENGER SIDE .....</b>	<b>115</b>	DRIVER SIDE : Diagnosis Procedure .....	164
PASSENGER SIDE : Description .....	115	<b>PASSENGER SIDE .....</b>	<b>164</b>
PASSENGER SIDE :		PASSENGER SIDE : Diagnosis Procedure .....	164
Component Function Check .....	115		
PASSENGER SIDE : Diagnosis Procedure .....	115		
<b>HEATED SEAT SWITCH INDICATOR .....</b>	<b>117</b>		

<b>RECLINING FUNCTION DOES NOT OPERATE</b> .....	166	<b>SQUEAK AND RATTLE TROUBLE DIAGNOSES</b> .....	178	A
<b>DRIVER SIDE</b> .....	166	Work Flow .....	178	
DRIVER SIDE : Diagnosis Procedure .....	166	Inspection Procedure .....	180	
<b>PASSENGER SIDE</b> .....	166	Diagnostic Worksheet .....	182	B
PASSENGER SIDE : Diagnosis Procedure .....	166	<b>PRECAUTION</b> .....	184	
<b>LIFTING FUNCTION DOES NOT OPERATE</b> ..	168	<b>PRECAUTIONS</b> .....	184	C
<b>FRONT</b> .....	168	Precaution for Supplemental Restraint System (SRS) "AIR BAG" and "SEAT BELT PRE-TENSIONER" .....	184	D
FRONT : Diagnosis Procedure .....	168	Precaution for Battery Service .....	184	
<b>REAR</b> .....	168	Service Notice .....	184	E
REAR : Diagnosis Procedure .....	168	Precaution for Work .....	184	
<b>POWER WALK-IN FUNCTION DOES NOT OPERATE</b> .....	170	<b>PREPARATION</b> .....	186	
<b>DRIVER SIDE</b> .....	170	<b>PREPARATION</b> .....	186	F
DRIVER SIDE : Diagnosis Procedure .....	170	Special Service Tool .....	186	
<b>PASSENGER SIDE</b> .....	171	Commercial Service Tool .....	186	
PASSENGER SIDE : Diagnosis Procedure .....	171	<b>CLIP LIST</b> .....	187	G
<b>HEATED SEAT DOES NOT OPERATE</b> .....	173	Clip List .....	187	
<b>BOTH SIDES</b> .....	173	<b>REMOVAL AND INSTALLATION</b> .....	188	H
BOTH SIDES : Diagnosis Procedure .....	173	<b>FRONT SEAT</b> .....	188	
<b>DRIVER SIDE</b> .....	173	Exploded View .....	188	I
DRIVER SIDE : Diagnosis Procedure .....	173	Removal and Installation .....	191	
<b>PASSENGER SIDE</b> .....	174	Disassembly and Assembly .....	192	
PASSENGER SIDE : Diagnosis Procedure .....	174	<b>REAR SEAT</b> .....	201	SE
<b>SEATBACK HEATER ONLY DOES NOT OPERATE</b> .....	175	Exploded View .....	201	
<b>DRIVER SIDE</b> .....	175	Removal and Installation .....	201	
DRIVER SIDE : Diagnosis Procedure .....	175	Disassembly and Assembly .....	202	
<b>PASSENGER SIDE</b> .....	175	<b>SEATBACK CONTROL CABLE</b> .....	204	K
PASSENGER SIDE : Diagnosis Procedure .....	175	Exploded View .....	204	
<b>CANNOT ADJUST HEATED SEAT TEMPERATURE</b> .....	176	Removal and Installation .....	204	L
<b>DRIVER SIDE</b> .....	176	<b>DRIVER SEAT CONTROL UNIT</b> .....	205	
DRIVER SIDE : Diagnosis Procedure .....	176	Exploded View .....	205	M
<b>PASSENGER SIDE</b> .....	176	Removal and Installation .....	205	
PASSENGER SIDE : Diagnosis Procedure .....	176	<b>PASSENGER SEAT CONTROL UNIT</b> .....	206	N
<b>HEATED SEAT SWITCH INDICATOR DOES NOT TURN ON</b> .....	177	Exploded View .....	206	
<b>DRIVER SIDE</b> .....	177	Removal and Installation .....	206	O
DRIVER SIDE : Diagnosis Procedure .....	177	<b>HEATED SEAT CONTROL UNIT</b> .....	207	
<b>PASSENGER SIDE</b> .....	177	Exploded View .....	207	
PASSENGER SIDE : Diagnosis Procedure .....	177	Removal and Installation .....	207	P
<b>HEATED SEAT SWITCH INDICATOR DOES NOT TURN ON</b> .....	177	<b>AUTOMATIC DRIVE POSITIONER CONTROL UNIT</b> .....	208	
<b>DRIVER SIDE</b> .....	177	Exploded View .....	208	
DRIVER SIDE : Diagnosis Procedure .....	177	Removal and Installation .....	208	
<b>PASSENGER SIDE</b> .....	177	<b>POWER SEAT SWITCH</b> .....	209	
PASSENGER SIDE : Diagnosis Procedure .....	177	Removal and Installation .....	209	
<b>HEATED SEAT SWITCH INDICATOR DOES NOT TURN ON</b> .....	177	<b>SLIDING SWITCH</b> .....	210	
<b>DRIVER SIDE</b> .....	177			
DRIVER SIDE : Diagnosis Procedure .....	177			
<b>PASSENGER SIDE</b> .....	177			
PASSENGER SIDE : Diagnosis Procedure .....	177			

---

<b>SEATBACK</b> .....	<b>210</b>	<b>LUMBAR SUPPORT SWITCH</b> .....	<b>212</b>
SEATBACK : Removal and Installation .....	210	Removal and Installation .....	212
<b>SIDE SUPPORT SWITCH</b> .....	<b>211</b>	<b>HEATED SEAT SWITCH</b> .....	<b>213</b>
Removal and Installation .....	211	Exploded View .....	213
		Removal and Installation .....	213

# DIAGNOSIS AND REPAIR WORK FLOW

< BASIC INSPECTION >

## BASIC INSPECTION

### DIAGNOSIS AND REPAIR WORK FLOW

Work Flow

INFOID:000000005657226

DETAILED FLOW

#### 1.OBTAIN INFORMATION ABOUT SYMPTOM

Interview the customer to obtain the malfunction information (conditions and environment when the malfunction occurred) as much as possible when the customer brings the vehicle in.

>> GO TO 2.

#### 2.REPRODUCE THE MALFUNCTION INFORMATION

Check the malfunction on the vehicle that the customer describes.  
Inspect the relation of the symptoms and the condition when the symptoms occur.

>> GO TO 3.

#### 3.IDENTIFY THE MALFUNCTIONING SYSTEM WITH "SYMPTOM DIAGNOSIS"

Use "Symptom diagnosis" from the symptom inspection result in step 2 and then identify where to start performing the diagnosis based on possible causes and symptoms.

>> GO TO 4.

#### 4.IDENTIFY THE MALFUNCTIONING PARTS WITH "COMPONENT DIAGNOSIS"

Perform the diagnosis with "Component diagnosis" of the applicable system.

>> GO TO 5.

#### 5.REPAIR OR REPLACE THE MALFUNCTIONING PARTS

Repair or replace the specified malfunctioning parts.

>> GO TO 6.

#### 6.FINAL CHECK

Check that malfunctions are not reproduced when obtaining the malfunction information from the customer, referring to the symptom inspection result in step 2.

Are the malfunctions corrected?

YES >> INSPECTION END

NO >> GO TO 3.

A  
B  
C  
D  
E  
F  
G  
H  
I  
SE  
K  
L  
M  
N  
O  
P

# INSPECTION AND ADJUSTMENT

< BASIC INSPECTION >

---

## INSPECTION AND ADJUSTMENT

### ADDITIONAL SERVICE WHEN REMOVING BATTERY NEGATIVE TERMINAL

#### ADDITIONAL SERVICE WHEN REMOVING BATTERY NEGATIVE TERMINAL : Description

INFOID:000000005657227

Initial setting is necessary when battery terminal is removed, driver seat control unit or passenger seat control unit is replaced.

#### ADDITIONAL SERVICE WHEN REMOVING BATTERY NEGATIVE TERMINAL : Special Repair Requirement

INFOID:000000005657228

#### 1.SYSTEM INITIALIZATION

---

Perform system initialization. Refer to [SE-8. "SYSTEM INITIALIZATION : Description"](#).

>> Work end.

### ADDITIONAL SERVICE WHEN REPLACING CONTROL UNIT

#### ADDITIONAL SERVICE WHEN REPLACING CONTROL UNIT : Description

INFOID:000000005657229

Initial setting is necessary when battery terminal is removed, driver seat control unit or passenger seat control unit is replaced.

#### ADDITIONAL SERVICE WHEN REPLACING CONTROL UNIT : Special Repair Requirement

INFOID:000000005657230

#### 1.SYSTEM INITIALIZATION

---

Perform system initialization. Refer to [SE-8. "SYSTEM INITIALIZATION : Description"](#).

>> Work end.

### SYSTEM INITIALIZATION

#### SYSTEM INITIALIZATION : Description

INFOID:000000005657231

Always perform the initialization when the battery terminal is removed, driver seat control unit or passenger seat control unit is replaced. If the initialization is not performed, power walk-in function does not operation.

#### SYSTEM INITIALIZATION : Special Repair Requirement

INFOID:000000005657232

### INITIALIZATION PROCEDURE

#### 1. STEP-1

---

Slide the seat to the front edge.

**NOTE:**

If seat sliding position is already at the front edge, slide the seat backward once it to the front edge again.

>> Work end.



# POWER SEAT FOR DRIVER SIDE

< SYSTEM DESCRIPTION >

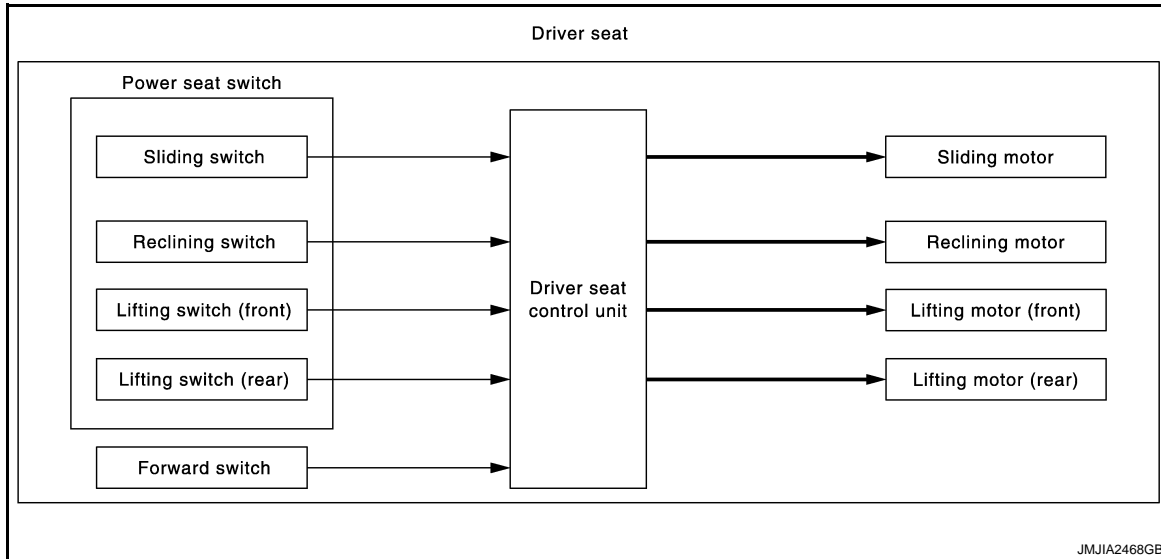
## SYSTEM DESCRIPTION

### POWER SEAT FOR DRIVER SIDE

#### POWER SEAT FUNCTION

#### POWER SEAT FUNCTION : System Diagram

INFOID:000000005657233



#### POWER SEAT FUNCTION : System Description

INFOID:000000005657234

- Power seat is operative regardless of the ignition switch position because power supply is always supplied to driver seat control unit.
- Driver seat control unit detects each power seat switch operation and operates applicable motor.

#### SLIDING OPERATION

When operating the sliding switch located in power seat switch, sliding motor operates and adjusts the front and back position of the seat.

#### RECLINING OPERATION

When operating the reclining switch located in power seat switch, reclining motor operates and adjusts the forward and backward position of the seatback. However, the reclining function does not operate when the forward switch is in the ON position.

#### LIFTING OPERATION

When operating the lifting switch located in power seat switch, lifting motor operates and adjusts the up and down position of the seat cushion (front and rear).

#### SLEEP MODE

- The driver seat control unit is equipped with the sleep mode to reduce the electric power consumption.
- The sleep mode is activated when all of the following conditions are satisfied.

1. Ignition switch turns OFF (steering LOCK position).
2. When no power seat motors are moving.
3. Power walk-in switch turns OFF.

#### WAKE-UP MODE

The sleep mode is cancelled when any status change is detected in the following items.

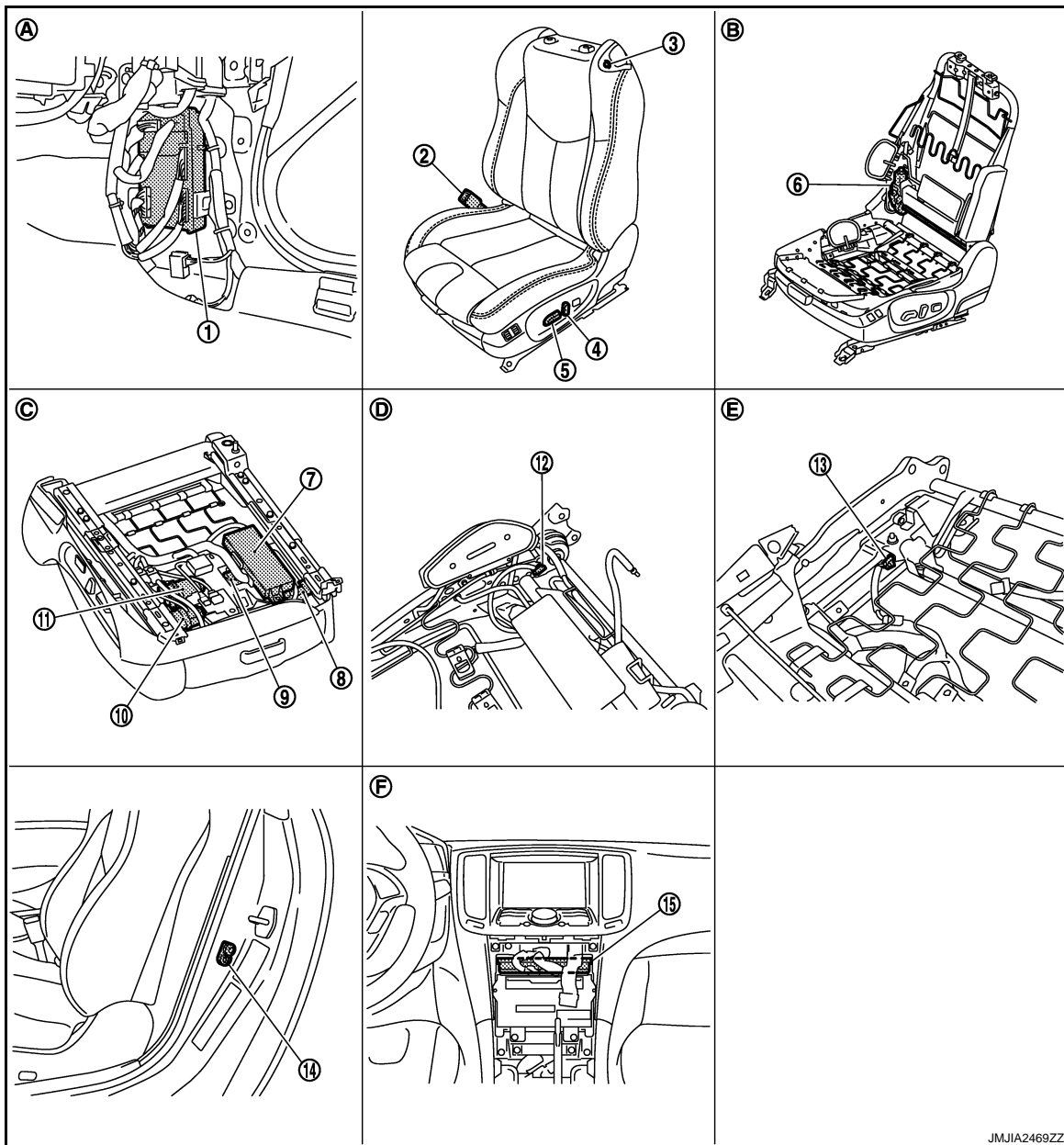
1. CAN communication.
2. Power seat switch.
3. Power walk-in switch.

# POWER SEAT FOR DRIVER SIDE

< SYSTEM DESCRIPTION >

## POWER SEAT FUNCTION : Component Parts Location

INFOID:000000005657235



JMJIA2469ZZ

- |  |   |  |
|--|---|--|
| 1. BCM M122, M123                            | 2. Seat belt buckle switch (driver side) B13            | 3. Power walk-in switch B513           |
| 4. Reclining switch (power seat switch) B511 | 5. Sliding, lifting switch (power seat switch) B511     | 6. Reclining motor B524                |
| 7. Driver seat control unit B503, B504       | 8. Sliding sensor B526                                  | 9. Lifting motor (front) B528          |
| 10. Sliding motor B525                       | 11. Lifting motor (rear) B530                           | 12. Forward switch B512                |
| 13. Sliding limit switch B514                | 14. Driver side door switch B16                         | 15. Unified meter and A/C amp. M67     |
| A. Dash side lower (passenger side)          | B. View with seat cushion pad and seat-back pad removed | C. View with back side of seat cushion |
| D. View with seatback pad removed            | E. View with seat cushion pad removed                   | F. Behind cluster lid C                |

# POWER SEAT FOR DRIVER SIDE

< SYSTEM DESCRIPTION >

## POWER SEAT FUNCTION : Component Description

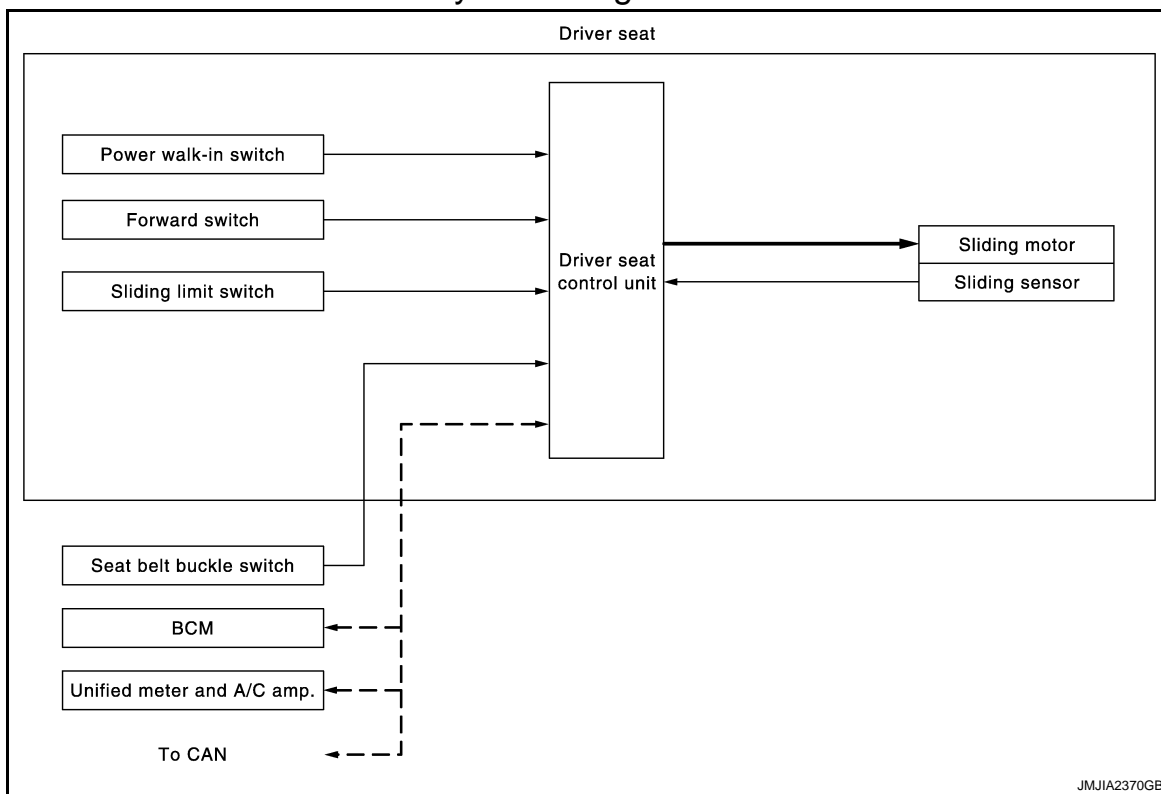
INFOID:0000000005657236

Item	Function
Driver seat control unit	Operates the specific seat motor with the signal from the power seat switch
Power seat switch	Built-in reclining switch, sliding switch, and lifting switch
Reclining motor	Operates forward and backward movement of seatback with the power supplied to driver seat control unit.
Sliding motor	Operates forward and backward side of seat with the power supplied to driver seat control unit.
Lifting motor (front/rear)	Operates up and down movement of seat cushion with the power supplied to driver seat control unit.
Forward switch	Detect folded down or folded up of the seatback.

## POWER WALK-IN FUNCTION

### POWER WALK-IN FUNCTION : System Diagram

INFOID:0000000005657237



### POWER WALK-IN FUNCTION : System Description

INFOID:0000000005657238

#### OUTLINE

Automatically slides the driver seat by operating the power walk-in switch so as to easily allow entry to the rear seat.

#### Forward Operation

Slides the driver seat to the front end position (sliding limit switch: ON) by operating the power walk-in switch when the seatback is folded down.

The forward operation is stopped by folding the seatback (forward switch: OFF) during the forward operation.

#### Backward Operation

The seatback is folded up after performing the forward operation of power walk-in function. Slide the driver seat to the backward position before performing the forward operation again by operating the power walk-in switch.

If the sliding operation is performed after performing the forward operation, do not perform the backward operation.

# POWER SEAT FOR DRIVER SIDE

## < SYSTEM DESCRIPTION >

### OPERATION PROCEDURE

#### Forward Operation

1. Open driver door.
2. Pull the walk-in lever on the upper part of seatback, and then the seatback is folded down.
3. Press the power walk-in switch.
4. Slide the seat to the front end position.

#### Backward Operation

1. Fold up the seatback after performing the forward operation.
2. Press the power walk-in switch.
3. Slide the seat to the previous position before the forward operation is performed.

### OPERATION CONDITION

Perform the power walk-in function when the following conditions are satisfied.

#### Forward Operation

Item	Request status
Driver side door	Open
Driver side seat belt	Not fastened
Power seat switch (sliding)	Not operated
Vehicle speed	0 km/h
Seat position (sliding)	Other than front end
Seatback	Folded down

#### Backward Operation

Item	Request status
Initialize	Done
Driver side seat belt	Not fastened
Power seat switch (sliding)	Not operated
Vehicle speed	0 km/h
Seat position (sliding)	The seat sliding position does not move after performing the forward operation.
Seatback	Folded up

### DETAIL FLOW

#### Forward Operation

Order	Inputs	Outputs	Control unit condition
1	Forward switch	—	Driver seat control unit detects that the seatback is folded down by the signal from the forward switch.
2	Power walk-in switch	—	The operation signal is input to the driver seat control unit when the power walk-in switch is operated.
3	—	Sliding motor (forward)	Driver seat control unit operates the seat sliding motor forward when it detects that the power walk-in switch is operated.
4	Sliding limit switch	—	Driver seat control unit stops the seat sliding motor when it detects that the seat sliding reaches the front end position by the sliding limit switch.

#### Backward Operation

# POWER SEAT FOR DRIVER SIDE

## < SYSTEM DESCRIPTION >

Order	Inputs	Outputs	Control unit condition
1	Forward switch	—	Driver seat control unit detects that the seatback is folded up by the signal from the forward switch.
2	Power walk-in switch	—	The operation signal is input to the driver seat control unit when the power walk-in switch is operated.
3	—	Sliding motor (backward)	Driver seat control unit operates the sliding motor backward when it detects that the power walk-in switch is operated.
4	Sliding sensor	—	Driver seat control unit stops the seat sliding motor when the seat sliding position reaches the front position before performing the forward operation by the signal from sliding sensor.

### SLEEP MODE

- The driver seat control unit is equipped with the sleep mode to reduce the electric power consumption.
- The sleep mode is activated when all of the following conditions are satisfied.
  1. Ignition switch turns OFF (steering LOCK position).
  2. When no power seat motors are moving.
  3. Power walk-in switch turns OFF.

### WAKE-UP MODE

The sleep mode is cancelled when any status change is detected in the following items.

1. CAN communication.
2. Power seat switch.
3. Power walk-in switch.

A  
B  
C  
D  
E  
F  
G  
H  
I  
K  
L  
M  
N  
O  
P

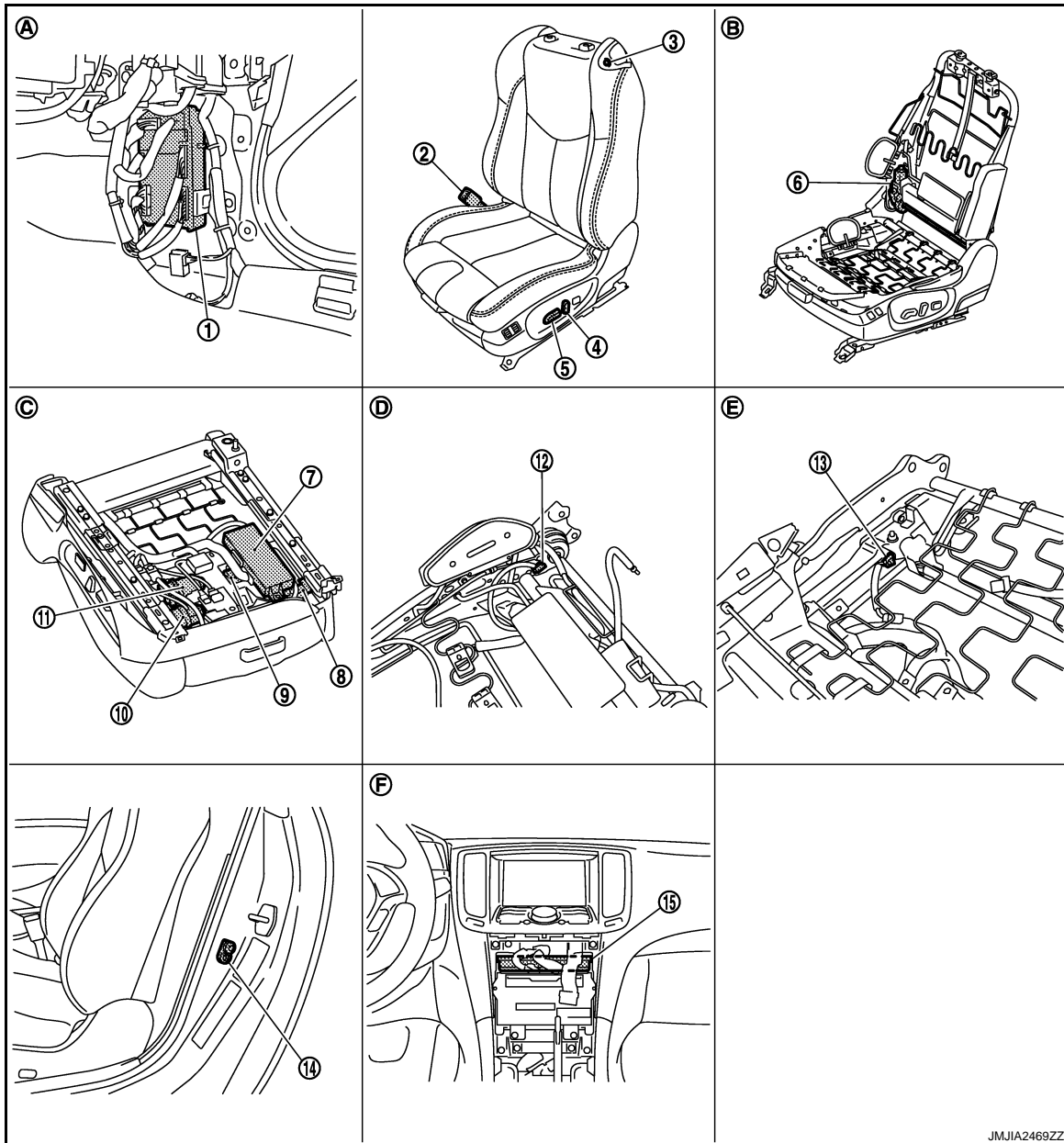
SE

# POWER SEAT FOR DRIVER SIDE

< SYSTEM DESCRIPTION >

## POWER WALK-IN FUNCTION : Component Parts Location

INFOID:000000005657239



JMJIA2469ZZ

- |  |   |  |
|--|---|--|
| 1. BCM M122, M123                            | 2. Seat belt buckle switch (driver side) B13            | 3. Power walk-in switch B513           |
| 4. Reclining switch (power seat switch) B511 | 5. Sliding, lifting switch (power seat switch) B511     | 6. Reclining motor B524                |
| 7. Driver seat control unit B503, B504       | 8. Sliding sensor B526                                  | 9. Lifting motor (front) B528          |
| 10. Sliding motor B525                       | 11. Lifting motor (rear) B530                           | 12. Forward switch B512                |
| 13. Sliding limit switch B514                | 14. Driver side door switch B16                         | 15. Unified meter and A/C amp. M67     |
| A. Dash side lower (passenger side)          | B. View with seat cushion pad and seat-back pad removed | C. View with back side of seat cushion |
| D. View with seatback pad removed            | E. View with seat cushion pad removed                   | F. Behind cluster lid C                |

## POWER WALK-IN FUNCTION : Component Description

INFOID:000000005657240

### CONTROL UNITS

# POWER SEAT FOR DRIVER SIDE

## < SYSTEM DESCRIPTION >

Item	Function
Driver seat control unit	<ul style="list-style-type: none"> <li>• Main units of power walk-in function</li> <li>• It is connected to the CAN.</li> </ul>
BCM	Transmits the following statuses to the driver seat control unit via CAN communication. <ul style="list-style-type: none"> <li>• Driver side door: OPEN/CLOSE</li> <li>• Starter: CRANKING/OTHER</li> </ul>
Unified meter and A/C amp.	Transmits the vehicle speed signal to the driver seat control unit via CAN communication.

## INPUT PARTS

### Switches

Item	Function
Driver side door switch	Detects front door (driver side) open/close status.
Power walk-in switch	Performs the power walk-in operation by operating the power walk-in switch.
Sliding limit switch	Detects the front end position of seat sliding during the power walk-in function forward operation.
Seat belt buckle switch (driver side)	Detects the seat belt (driver side) fastening/releasing condition.
Forward switch	Detects the folded up/folded down condition of seatback that is the operation condition of power walk-in function.

### Sensors

Item	Function
Sliding sensor	Detects the forward/backward position of seat.

## OUTPUT PARTS

Item	Function
Sliding motor	Slides the seat forward/backward.

A  
B  
C  
D  
E  
F  
G  
H  
I  
K  
L  
M  
N  
O  
P

SE

# POWER SEAT FOR PASSENGER SIDE

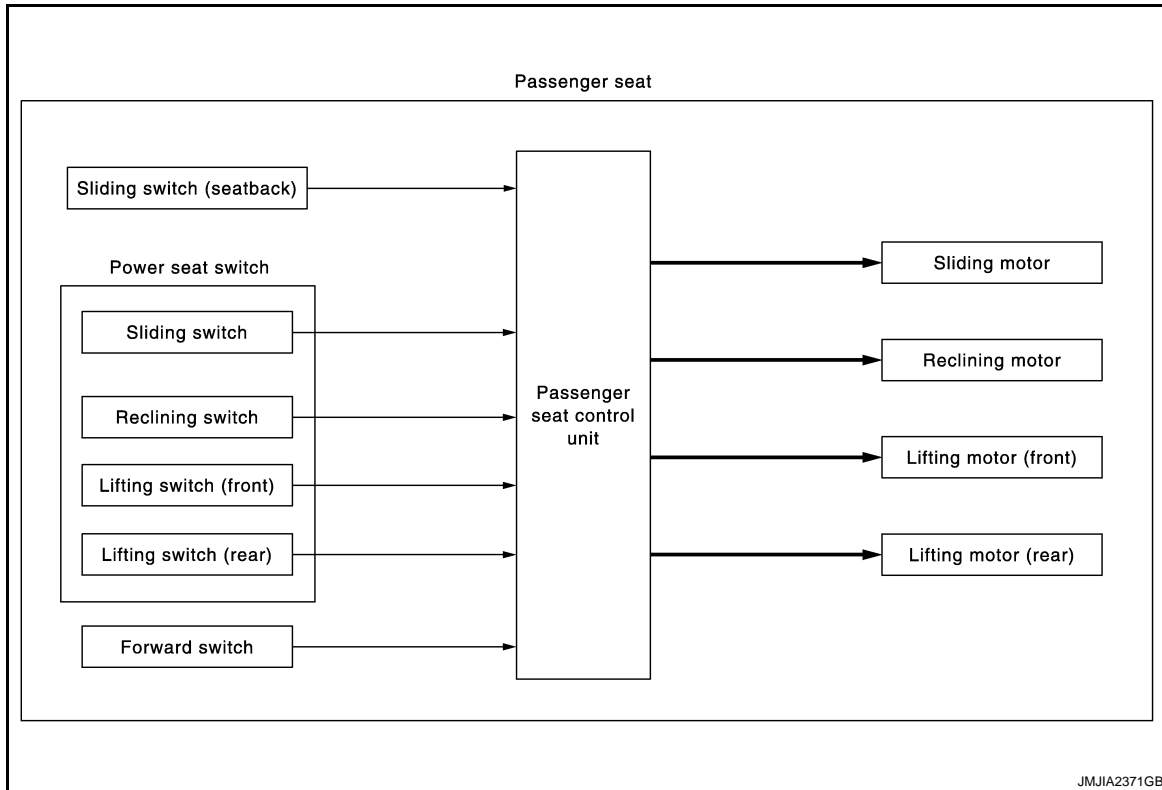
< SYSTEM DESCRIPTION >

## POWER SEAT FOR PASSENGER SIDE

### POWER SEAT FUNCTION

#### POWER SEAT FUNCTION : System Diagram

INFOID:000000005657241



#### POWER SEAT FUNCTION : System Description

INFOID:000000005657242

- Power seat is operative regardless of the ignition switch position because power supply is always supplied to passenger seat control unit.
- Passenger seat control unit detects each power seat switch operation and operates applicable motor.

#### SLIDING OPERATION

When operating the sliding switch located in power seat switch and sliding switch (seatback), sliding motor operates and adjusts the front and back position of the seat.

#### RECLINING OPERATION

When operating the reclining switch located in power seat switch, reclining motor operates and adjusts the forward and backward position of the seatback. However, the reclining function does not operate when the forward switch is in the ON position.

#### LIFTING OPERATION

When operating the lifting switch located in power seat switch, lifting motor operates and adjusts the up and down position of the seat cushion (front and rear).

#### SLEEP MODE

- The passenger seat control unit is equipped with the sleep mode to reduce the electric power consumption.
- The sleep mode is activated when all of the following conditions are satisfied.

1. When no power seat motors are moving.
2. Power walk-in switch turns OFF.

#### WAKE-UP MODE

The sleep mode is cancelled when any status change is detected in the following items.

1. Power seat switch and sliding switch (seatback).
2. Power walk-in switch.

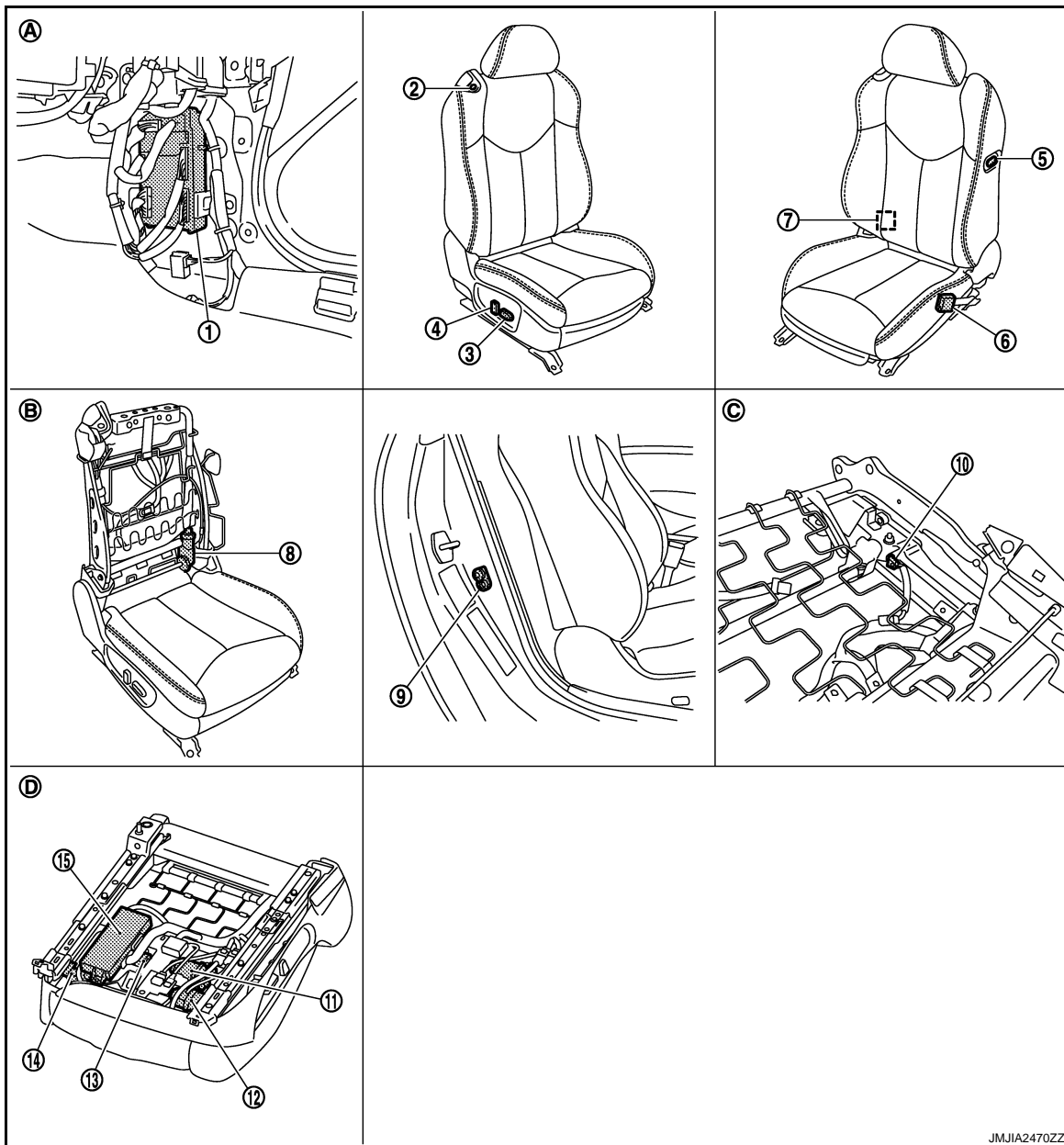


# POWER SEAT FOR PASSENGER SIDE

< SYSTEM DESCRIPTION >

## POWER SEAT FUNCTION : Component Parts Location

INFOID:000000005657243



- |  |                                   |   |
|--|-----------------------------------|---|
| 1. BCM M118, M119, M123                      | 2. Power walk-in switch B557      | 3. Sliding, lifting switch (power seat switch) B554 |
| 4. Reclining switch (power seat switch) B554 | 5. Sliding switch (seatback) B561 | 6. Seat belt buckle switch (passenger side) B213    |
| 7. Forward switch B556                       | 8. Reclining motor B566           | 9. Passenger side door switch B216                  |
| 10. Sliding limit switch B558                | 11. Lifting motor (rear) B570*    | 12. Sliding motor B567                              |
| 13. Lifting motor (front) B569*              | 14. Sliding sensor B568           | 15. Passenger seat control unit B552, B553          |
| A. Dash side lower (passenger side)          | B. View with seatback pad removed | C. View with seatback pad removed                   |
| D. Back side of seat cushion                 |                                   |   |

\*: With 8-way power passenger's seat

A  
B  
C  
D  
E  
F  
G  
H  
I  
SE  
K  
L  
M  
N  
O  
P

# POWER SEAT FOR PASSENGER SIDE

< SYSTEM DESCRIPTION >

## POWER SEAT FUNCTION : Component Description

INFOID:000000005657244

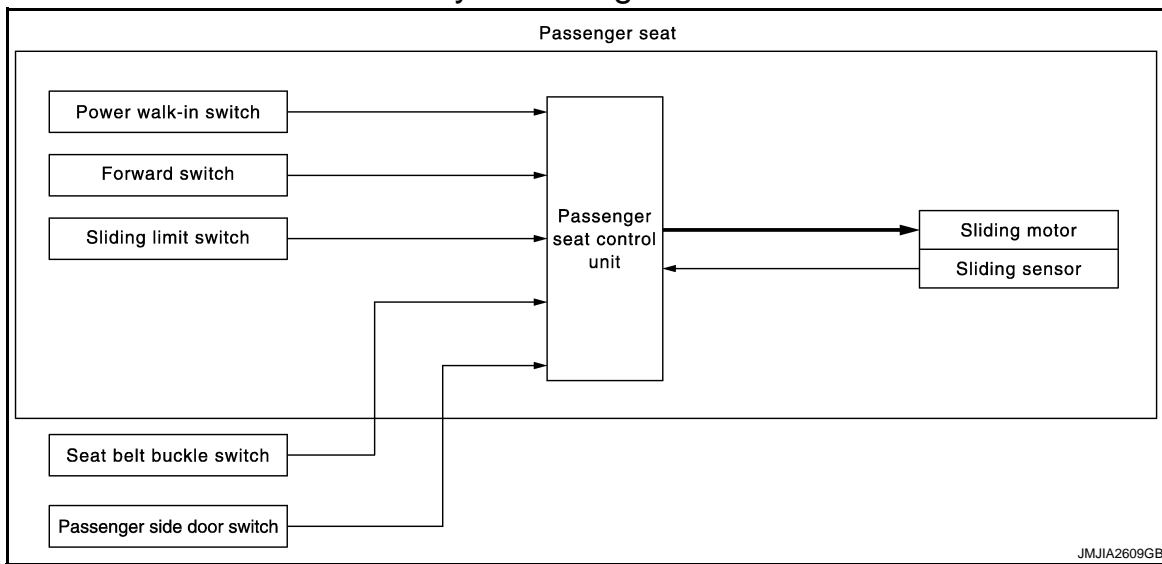
Item	Function
BCM	The power received from battery to passenger seat control unit is supplied at all times.
Passenger seat control unit	Operates each motor with the signal from the power seat switch and sliding switch (seatback).
Power seat switch	Built-in reclining switch, sliding switch, and lifting switch, transmits operation signal to passenger seat control unit.
Sliding switch (seatback)	Transmits sliding operation signal to passenger seat control unit.
Reclining motor	Operates forward and backward movement of seatback with the power supplied to passenger seat control unit.
Sliding motor	Operates forward and backward slide of seat with the power supplied to passenger seat control unit.
Lifting motor (front/rear)*	Operates up and down movement of seat cushion with the power supplied to passenger seat control unit.
Forward switch	Detect folded down or folded up of the seatback.

\*: With 8-way power passenger's seat

## POWER WALK-IN FUNCTION

### POWER WALK-IN FUNCTION : System Diagram

INFOID:000000005657245



JMJIA2609GB

### POWER WALK-IN FUNCTION : System Description

INFOID:000000005657246

#### OUTLINE

Automatically slides the passenger seat by operating the power walk-in switch so as to easily allow entry to the rear seat.

#### Forward Operation

Slides the driver seat to the front end position (sliding limit switch: ON) by operating the power walk-in switch when the seatback is folded down.

The forward operation is stopped by folding the seatback (forward switch: OFF) during the forward operation.

#### Backward Operation

The seatback is folded up after performing the forward operation of power walk-in function. Slide the driver seat to the backward position before performing the forward operation again by operating the power walk-in switch.

If the manual operation, memory operation, and Intelligent Key interlock operation are performed after performing the forward operation, do not perform the backward operation.

#### OPERATION PROCEDURE

# POWER SEAT FOR PASSENGER SIDE

## < SYSTEM DESCRIPTION >

### Forward Operation

1. Open passenger door.
2. Pull the walk-in lever on the upper part of seatback, and then the seatback folds down.
3. Press the power walk-in switch.
4. Slide the seat to the front end position.

### Backward Operation

1. Fold up the seatback after performing the forward operation.
2. Press the power walk-in switch.
3. Slide the seat to the previous position before the forward operation\* is performed.

\*: If the seat sliding position before starting the forward operation is more than 177.6 mm (6.992 in) from the front end position, the maximum seat sliding is 177.6 mm (6.992 in).

## OPERATION CONDITION

Perform the power walk-in function when the following conditions are satisfied.

### Forward Operation

Item	Request status
Passenger side door	Open
Passenger side seat belt	Not fastened
Power seat switch (sliding)	Not operated
Seat position (sliding)	Other than front end
Seatback	Folded down

### Backward Operation

Item	Request status
Initialize	Done
Passenger side seat belt	Not fastened
Power seat switch (sliding)	Not operated
Seat position (sliding)	The seat sliding position does not move after performing the forward operation.
Seatback	Folded up

## DETAIL FLOW

### Forward Operation

Order	Inputs	Outputs	Control unit condition
1	Forward switch	—	Passenger seat control unit detects that the seatback is folded down by the signal from the forward switch.
2	Power walk-in switch	—	The operation signal is input to the passenger seat control unit when the power walk-in switch is operated.
3	—	Sliding motor (forward)	Passenger seat control unit operates the seat sliding motor forward when it detects that the power walk-in switch is operated.
4	Sliding limit switch	—	Passenger seat control unit stops the seat sliding motor when it detects that the seat sliding reaches the front end position by the sliding limit switch.

### Backward Operation

## POWER SEAT FOR PASSENGER SIDE

### < SYSTEM DESCRIPTION >

Order	Inputs	Outputs	Control unit condition
1	Forward switch	—	Passenger seat control unit detects that the seat-back is folded up by the signal from the forward switch.
2	Power walk-in switch	—	The operation signal is input to the passenger seat control unit when the power walk-in switch is operated.
3	—	Sliding motor (backward)	Passenger seat control unit operates the sliding motor backward when it detects that the power walk-in switch is operated.
4	Sliding sensor	—	Passenger seat control unit stops the seat sliding motor when the seat sliding position reaches the front position before performing the forward operation by the signal from sliding sensor or when the seat sliding position is 177.6 mm (6.992 in) from the front end position.

### SLEEP MODE

- The passenger seat control unit is equipped with the sleep mode to reduce the electric power consumption.
- The sleep mode is activated when all of the following conditions are satisfied.
  1. When no power seat motors are moving.
  2. Power walk-in switch turns OFF.

### WAKE-UP MODE

The sleep mode is cancelled when any status change is detected in the following items.

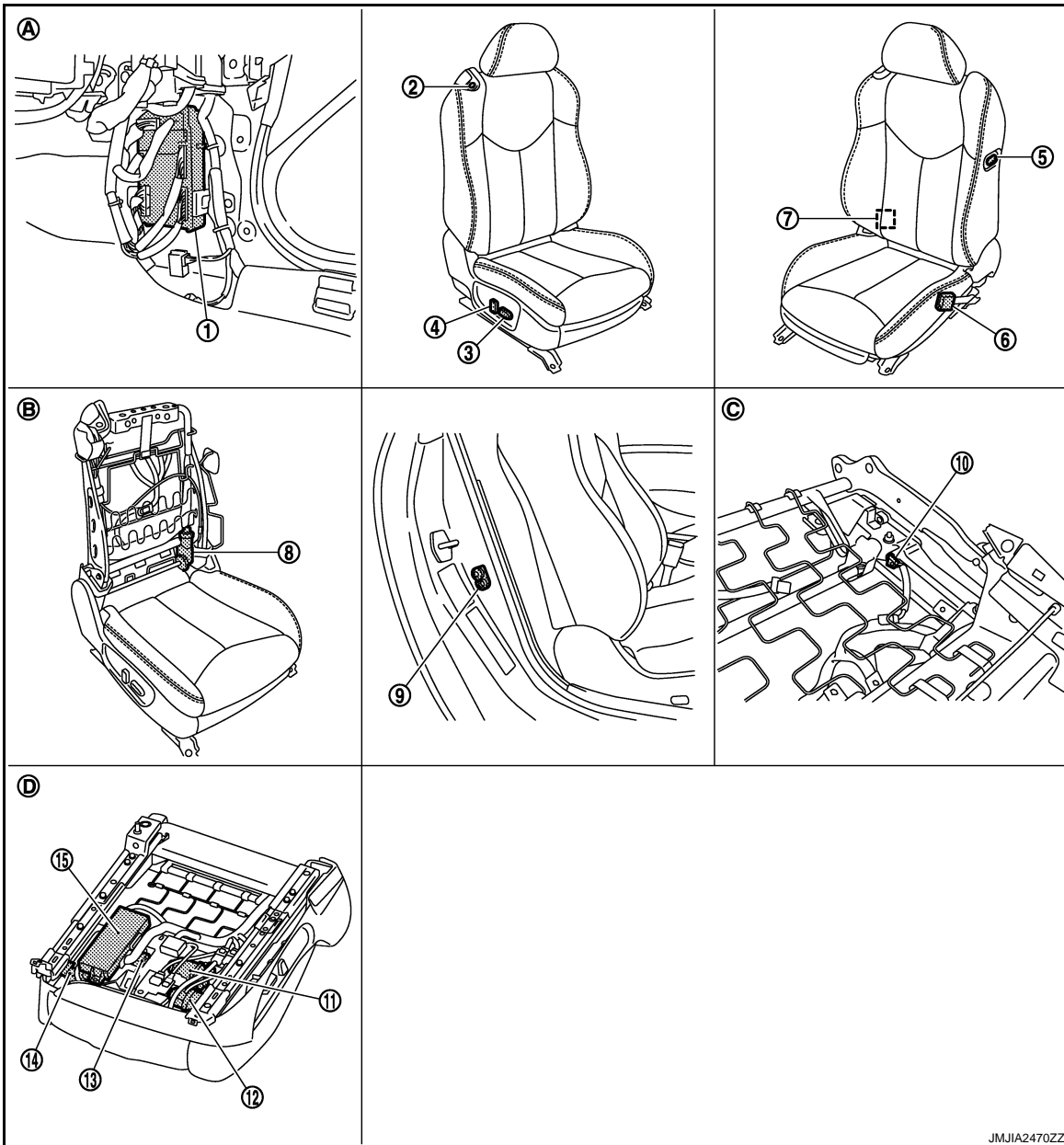
1. Power seat switch.
2. Power walk-in switch.

# POWER SEAT FOR PASSENGER SIDE

< SYSTEM DESCRIPTION >

## POWER WALK-IN FUNCTION : Component Parts Location

INFOID:000000005657247



- |  |                                   |   |
|--|-----------------------------------|---|
| 1. BCM M118, M119, M123                      | 2. Power walk-in switch B557      | 3. Sliding, lifting switch (power seat switch) B554 |
| 4. Reclining switch (power seat switch) B554 | 5. Sliding switch (seatback) B561 | 6. Seat belt buckle switch (passenger side) B213    |
| 7. Forward switch B556                       | 8. Reclining motor B566           | 9. Passenger side door switch B216                  |
| 10. Sliding limit switch B558                | 11. Lifting motor (rear) B570*    | 12. Sliding motor B567                              |
| 13. Lifting motor (front) B569*              | 14. Sliding sensor B568           | 15. Passenger seat control unit B552, B553          |
| A. Dash side lower (passenger side)          | B. View with seatback pad removed | C. View with seatback pad removed                   |
| D. Back side of seat cushion                 |                                   |   |

\*: With 8-way power passenger's seat

## POWER WALK-IN FUNCTION : Component Description

INFOID:000000005657248

### CONTROL UNITS

## POWER SEAT FOR PASSENGER SIDE

### < SYSTEM DESCRIPTION >

Item	Function
Passenger seat control unit	Main unit of power walk-in function

### INPUT PARTS

#### Switches

Item	Function
Passenger side door switch	Detects front door (passenger side) open/close status.
Power walk-in switch	Performs the power walk-in operation by operating the power walk-in switch.
Sliding limit switch	Detects the front end position of seat sliding during the power walk-in function forward operation.
Seat belt buckle switch (passenger side)	Detects the seat belt (passenger side) fastening/releasing condition.
Forward switch	Detects the folded up/folded down condition of seatback that is the operation condition of power walk-in function.

#### Sensors

Item	Function
Sliding sensor	Detects the forward/backward position of seat.

### OUTPUT PARTS

Item	Function
Sliding motor	Slides the seat forward/backward.

# SIDE SUPPORT UNIT

< SYSTEM DESCRIPTION >

## SIDE SUPPORT UNIT

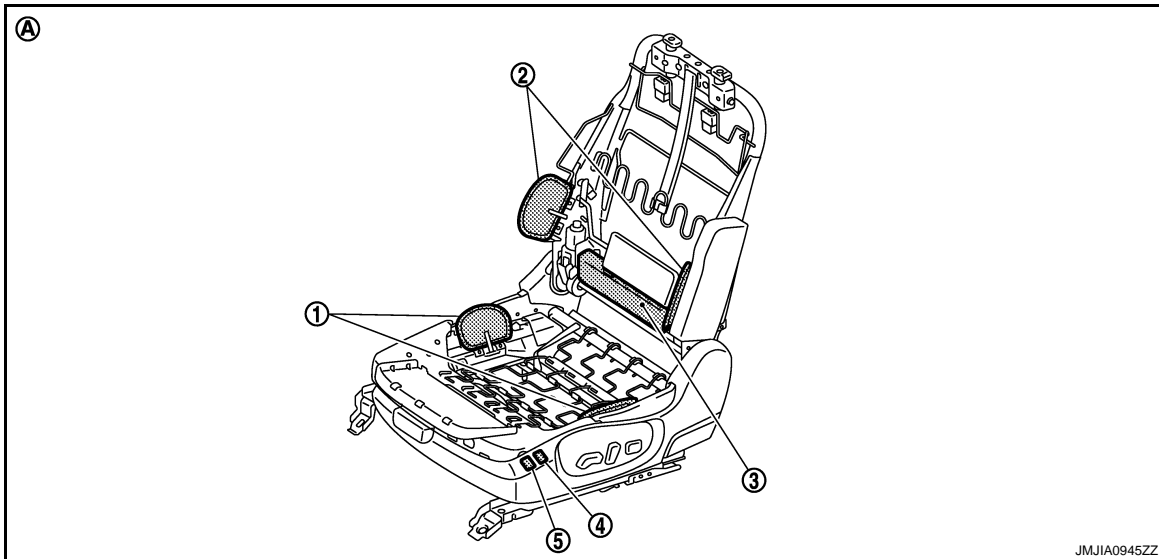
### System Description

INFOID:0000000005657249

- While operating the side support switch, the pump located inside side support unit operates and adjust the air pressure in seat cushion and seatback side support.
- It is possible to soften the side support, by allowing some air to escape, by deflating the solenoid located inside side support.
- It is possible to adjust seat cushion and seatback differently while inflating or deflating solenoid located in side support unit.

### Component Parts Location

INFOID:0000000005657250



- |  |   |                           |
|--|---|---------------------------|
| 1. Side support (seat cushion)<br>(Side support unit B509) | 2. Side support (seat back)<br>(Side support unit B509) | 3. Side support unit B509 |
| 4. Side support switch (seat back side)<br>B508            | 5. Side support switch (cushion side)<br>B508           |                           |

A. View with seat cushion pad and seat back pad are removed.

### Component Description

INFOID:0000000005657251

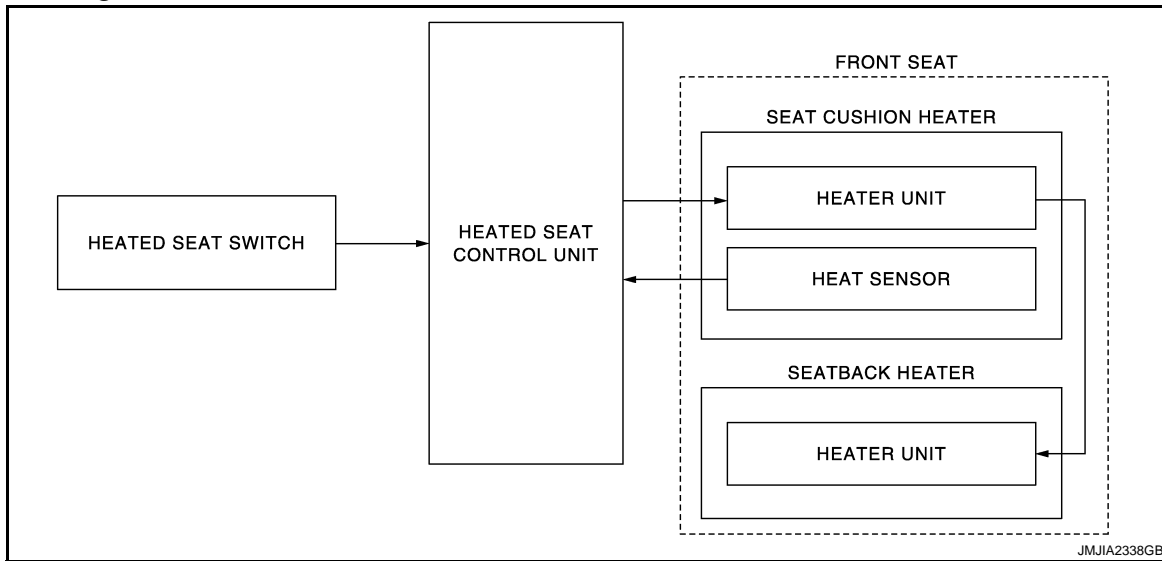
Item	Function
Side support switch	With a built-in cushion side and seat back side, controls the power supplied to pump and to each solenoid.
Side support unit	Built-in pump, pump relay and solenoid, operates when pressing ON/OFF on side support switch.

# HEATED SEAT

< SYSTEM DESCRIPTION >

## HEATED SEAT

### System Diagram



### System Description

INFOID:000000005657253

- Heated seat is activated by heated seat switch while ignition switch is ON, and is equipped with the function to warm seat cushion and seatback.
- Heated seat is equipped with the 6-stage temperature adjustment function that adjusts temperature by operating heated seat switch to the optimal position.
- Heated seat is equipped with a thermostat in heater unit to prevent heater unit overheating.

### OPERATION DESCRIPTION

- When operating heated seat switch to any position between 1 and 6 while ignition switch is ON, indicator illuminates, heated seat control unit supplies power supply to heater unit, and warms seat cushion and seatback.
- Heat sensor that is built in seat cushion heater detects seat cushion heater temperature and outputs to heated seat control unit.
- Heated seat control unit monitors the heated seat switch position and heater sensor temperature, and interrupts power supply to heater unit when the heat sensor temperature reaches preset temperature.
- Heated seat control unit adjusts temperature to preset temperature by supplying or interrupting power supply to heater unit.

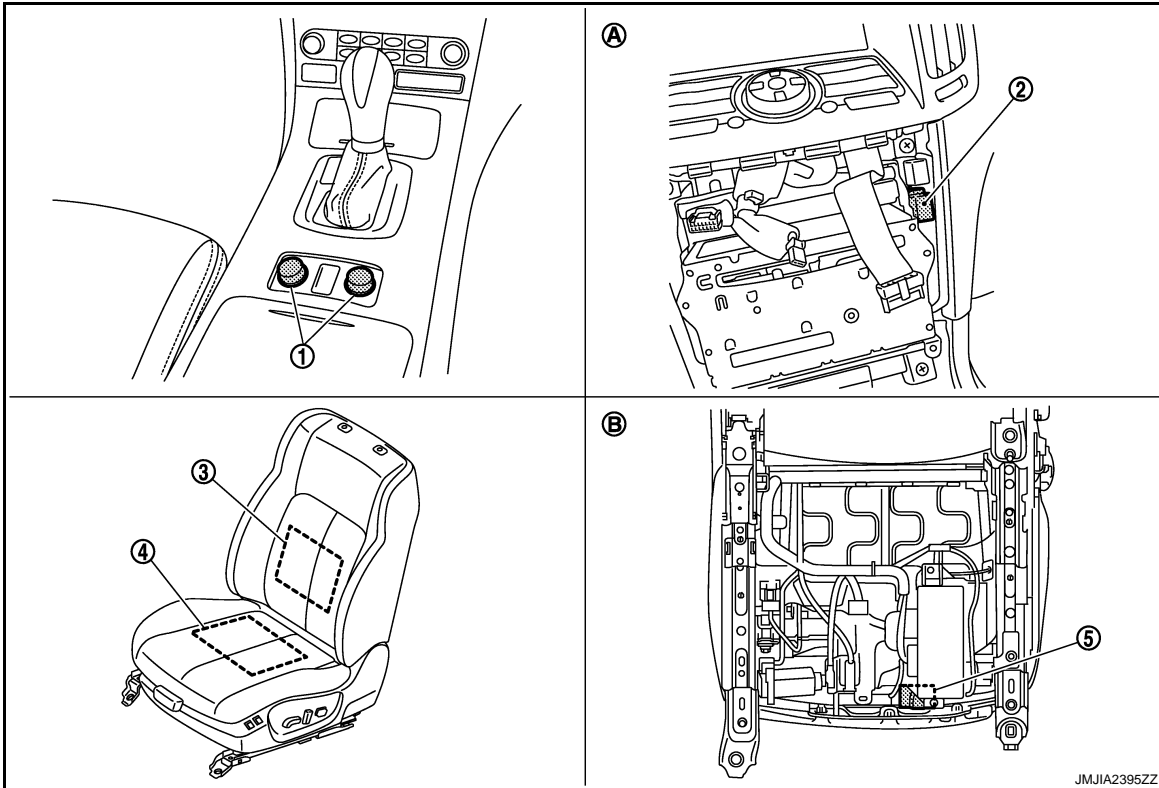


# HEATED SEAT

< SYSTEM DESCRIPTION >

## Component Parts Location

INFOID:0000000005657254



- |   |   |   |
|---|---|---|
| <p>1. Heated seat switch</p> <ul style="list-style-type: none"> <li>• Driver side<br/>A/T M141<br/>M/T M175</li> <li>• Passenger side<br/>A/T M142<br/>M/T M176</li> </ul> <p>4. Heated seat relay M70</p> <p>A. Behind cluster lid C</p> | <p>2. Seatback heater</p> <ul style="list-style-type: none"> <li>• Driver side B542</li> <li>• Passenger side B582</li> </ul> <p>5. Heated seat control unit</p> <ul style="list-style-type: none"> <li>• Driver side B518</li> <li>• Passenger side B575</li> </ul> <p>B. Backside of seat cushion</p> | <p>3. Seat cushion heater</p> <ul style="list-style-type: none"> <li>• Driver side B517, B541</li> <li>• Passenger side B574, B581</li> </ul> |
|---|---|---|

## Component Description

INFOID:0000000005657255

Item	Function
Heated seat switch	<ul style="list-style-type: none"> <li>• Adjusts heated seat temperature and deactivates heated seat</li> <li>• Is equipped to indicator that indicates the operating condition</li> </ul>
Seat cushion heater	<ul style="list-style-type: none"> <li>• Warms seat cushion</li> <li>• Contains heater sensor that outputs seat cushion temperature to heated seat control unit</li> </ul>
Seatback heater	Warms seatback
Heated seat control unit	Controls heated seat temperature and is independently placed in each seat cushion (driver seat and passenger seat)

# LUMBAR SUPPORT

< SYSTEM DESCRIPTION >

## LUMBAR SUPPORT

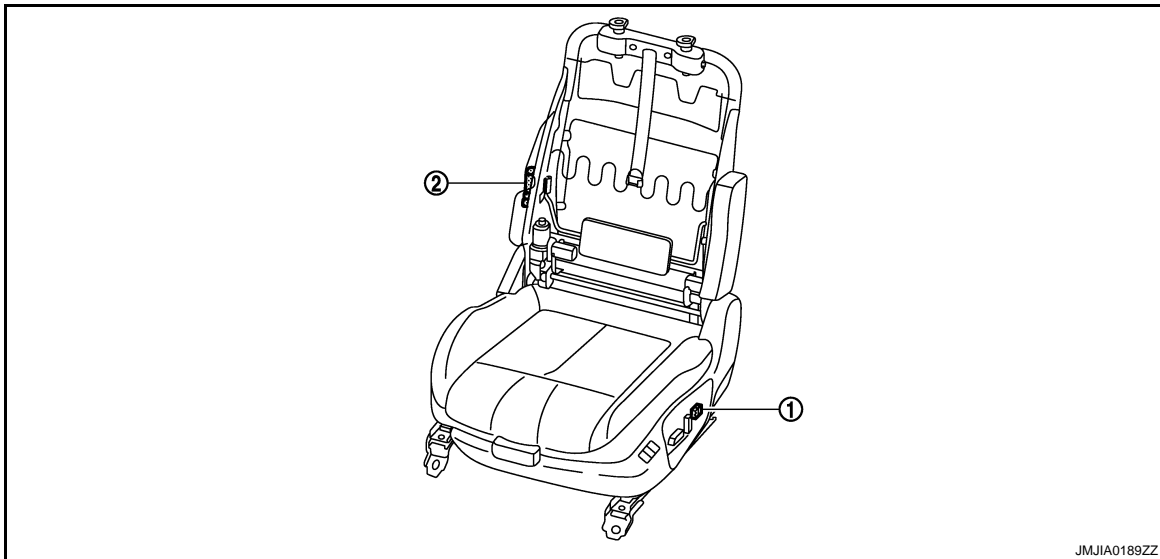
### System Description

INFOID:000000005657256

- Lumbar support can operate regardless of the ignition switch position because battery power is supplied to it at all times.
- While operating the lumbar support switch, lumbar support motor operates which allows forward and backward operation of seatback support.

### Component Parts Location

INFOID:000000005657257



JMJIA0189ZZ

1. Lumbar support switch B505
2. Lumbar support motor B506

### Component Description

INFOID:000000005657258

Item	Function
Lumbar support switch	Controls the power supplied to lumbar support motor.
Lumbar support motor	With the power supplied to lumbar support switch, operates the forward and backward movement of seatback support device.

# DIAGNOSIS SYSTEM (DRIVER SEAT C/U)

< SYSTEM DESCRIPTION >

## DIAGNOSIS SYSTEM (DRIVER SEAT C/U)

### Diagnosis Description

INFOID:000000005657259

The power seat system can be checked and diagnosed for component operation with CONSULT-III.

### DIAGNOSTIC MODE

Diagnostic mode	Description
SELF-DIAG RESULTS	Performs self-diagnosis for the auto drive positioner system and displays the results.
DATA MONITOR	Displays input signals transmitted from various switches and sensors to driver seat control unit in real time.
CAN DIAG SUPPORT MNTR	The result of transmit/receive diagnosis of CAN communication can be read.
ACTIVE TEST	Drive each output device.
ECU PART NUMBER	Displays part numbers of driver seat control unit parts.

### CONSULT-III Function

INFOID:000000005657260

#### SELF DIAGNOSTIC RESULTS

Refer to [ADP-166, "DTC Index"](#).

#### DATA MONITOR

Monitor Item	Unit	Main Signals	Selection From Menu	Contents
SET SW	"ON/OFF"	×	×	ON/OFF status judged from the setting switch signal.
MEMORY SW 1	"ON/OFF"	×	×	ON/OFF status judged from the seat memory switch 1 signal.
MEMORY SW 2	"ON/OFF"	×	×	ON/OFF status judged from the seat memory switch 2 signal.
SLIDE SW-FR*3	"ON/OFF"	×	×	ON/OFF status judged from the sliding switch (forward) signal.
SLIDE SW-RR*3	"ON/OFF"	×	×	ON/OFF status judged from the sliding switch (backward) signal.
RECLN SW-FR	"ON/OFF"	×	×	ON/OFF status judged from the reclining switch (forward) signal.
RECLN SW-RR	"ON/OFF"	×	×	ON/OFF status judged from the reclining switch (backward) signal.
LIFT FR SW-UP	"ON/OFF"	×	×	ON/OFF status judged from the lifting switch front (upward) signal.
LIFT FR SW-DN	"ON/OFF"	×	×	ON/OFF status judged from the lifting switch front (downward) signal.
LIFT RR SW-UP	"ON/OFF"	×	×	ON/OFF status judged from the lifting switch rear (upward) signal.
LIFT RR SW-DN	"ON/OFF"	×	×	ON/OFF status judged from the lifting switch rear (downward) signal.
MIR CON SW-UP	"ON/OFF"	×	×	ON/OFF status judged from the mirror switch (upward) signal.
MIR CON SW-DN	"ON/OFF"	×	×	ON/OFF status judged from the mirror switch (downward) signal.
MIR CON SW-RH	"ON/OFF"	×	×	ON/OFF status judged from the door mirror remote control switch (passenger side) signal.
MIR CON SW-LH	"ON/OFF"	×	×	ON/OFF status judged from the door mirror remote control switch (driver side) signal.

## DIAGNOSIS SYSTEM (DRIVER SEAT C/U)

### < SYSTEM DESCRIPTION >

Monitor Item	Unit	Main Signals	Selection From Menu	Contents
MIR CHNG SW-R	"ON/OFF"	×	×	ON/OFF status judged from the door mirror remote control switch (switching to right) signal.
MIR CHNG SW-L	"ON/OFF"	×	×	ON/OFF status judged from the door mirror remote control switch (switching to left) signal.
TILT SW-UP	"ON/OFF"	×	×	ON/OFF status judged from the tilt switch (upward) signal.
TILT SW-DOWN	"ON/OFF"	×	×	ON/OFF status judged from the tilt switch (downward) signal.
TELESCO SW-FR	"ON/OFF"	×	×	ON/OFF status judged from the telescoping switch (forward) signal.
TELESCO SW-RR	"ON/OFF"	×	×	ON/OFF status judged from the telescoping switch (backward) signal.
FORWARD SW*3	"ON/OFF"	×	×	ON/OFF status judged from the forward switch signal.
WALK-IN SW*3	"ON/OFF"	×	×	ON/OFF status judged from the power walk-in switch signal.
FWD LIMIT SW*3	"ON/OFF"	×	×	ON/OFF status judged from the sliding limit switch signal.
SEAT BELT SW*3	"ON/OFF"	×	×	ON/OFF status judged from the seat belt buckle switch signal.
DETENT SW*1	"ON/OFF"	×	×	The selector lever position "OFF (P position) / ON (other than P position)" judged from the detention switch signal.
PARK BRAKE SW*2	"ON/OFF"	×	×	The parking brake condition "ON (applied) / OFF (release)" judged from the parking brake switch signal.
STARTER SW	"ON/OFF"	×	×	Ignition key switch ON (START, ON) /OFF (ACC, OFF) status judged from the ignition switch signal.
SLIDE PULSE*3	-	-	×	Value (32768) when battery connections are standard. If it moves backward, the value increases. If it moves forward, the value decreases.
RECLN PULSE	-	-	×	Value (32768) when battery connections are standard. If it moves backward, the value increases. If it moves forward, the value decreases.
LIFT FR PULSE	-	-	×	Value (32768) when battery connections are standard. If it moves DOWN, the value increases. If it moves UP, the value decreases.
LIFT RR PULSE	-	-	×	Value (32768) when battery connections are standard. If it moves DOWN, the value increases. If it moves UP, the value decreases.
MIR/SEN RH U-D	"V"	-	×	Voltage input from door mirror sensor (passenger side) upward/downward is displayed.
MIR/SEN RH R-L	"V"	-	×	Voltage input from door mirror sensor (passenger side) leftward/rightward is displayed.
MIR/SEN LH U-D	"V"	-	×	Voltage input from door mirror sensor (driver side) upward/downward is displayed.
MIR/SEN LH R-L	"V"	-	×	Voltage input from door mirror sensor (driver side) leftward/rightward is displayed.
TILT SEN	"V"	-	×	Voltage input from tilt sensor upward/downward is displayed.
TELESCO SEN	"V"	-	×	Voltage input from telescopic sensor forward/backward is displayed.

\*1: M/T models display all item except this item.

\*2: A/T models display all item except this item.

\*3: Only this item is displayed for driver seat without automatic drive positioner system.

# DIAGNOSIS SYSTEM (DRIVER SEAT C/U)

< SYSTEM DESCRIPTION >

## ACTIVE TEST

### CAUTION:

When driving vehicle, do not perform active test.

Test item	Description
SEAT SLIDE*	Activates/deactivates the sliding motor.
SEAT RECLINING	Activates/deactivates the reclining motor.
SEAT LIFTER FR	Activates/deactivates the lifting motor (front).
SEAT LIFTER RR	Activates/deactivates the lifting motor (rear).
TILT MOTOR	Activates/deactivates the tilt motor.
TELESCO MOTOR	Activates/deactivates the telescopic motor.
MIRROR MOTOR RH	Activates/deactivates the mirror motor (passenger side).
MIRROR MOTOR LH	Activates/deactivates the mirror motor (driver side).
MEMORY SW INDCTR	Turns ON/OFF the memory indicator.

\*: Driver seat without automatic driver position system display only "SEAT SLIDE".

A  
B  
C  
D  
E  
F  
G  
H  
I  
K  
L  
M  
N  
O  
P

SE

# U1000 CAN COMM CIRCUIT

< DTC/CIRCUIT DIAGNOSIS >

## DTC/CIRCUIT DIAGNOSIS

### U1000 CAN COMM CIRCUIT

#### Description

INFOID:000000005657261

CAN (Controller Area Network) is a serial communication line for real time applications. It is an on-vehicle multiplex communication line with high data communication speed and excellent error detection ability. Modern vehicle is equipped with many electronic control unit, and each control unit shares information and links with other control units during operation (not independent). In CAN communication, control units are connected with 2 communication lines (CAN-H, CAN-L) allowing a high rate of information transmission with less wiring. Each control unit transmits/receives data but selectively reads required data only.

#### DTC Logic

INFOID:000000005657262

#### DTC DETECTION LOGIC

DTC	Trouble diagnosis name	DTC detecting condition	Possible cause
U1000	CAN COMM CIRCUIT	<ul style="list-style-type: none"><li>• Driver seat control unit cannot communicate to other control units.</li><li>• Driver seat control unit cannot communicate for more than the specified time.</li></ul>	Harness or connectors (CAN communication line is open or shorted)

#### DTC CONFIRMATION PROCEDURE

##### 1.STEP 1

Turn ignition switch ON and wait for 3 seconds or more.

>> GO TO 2.

##### 2.STEP 2

Check "Self Diagnostic Result" using CONSULT-III.

Is the DTC detected?

YES >> Perform diagnosis procedure. Refer to [SE-30, "Diagnosis Procedure"](#).  
NO >> INSPECTION END

#### Diagnosis Procedure

INFOID:000000005657263

Refer to [LAN-26, "Interview Sheet"](#).

#### Special Repair Requirement

INFOID:000000005657264

Refer to [SE-8, "ADDITIONAL SERVICE WHEN REPLACING CONTROL UNIT : Special Repair Requirement"](#).

# B2112 SLIDING MOTOR

< DTC/CIRCUIT DIAGNOSIS >

## B2112 SLIDING MOTOR

### Description

INFOID:000000005657265

- The sliding motor is installed to the seat cushion frame.
- The sliding motor is activated via the driver seat control unit.
- Slides the seat forward/rearward by changing the rotation direction of sliding motor.

### DTC Logic

INFOID:000000005657266

### DTC DETECTION LOGIC

DTC No.	Trouble diagnosis name	DTC detecting condition	Possible cause
B2112	SEAT SLIDE	The driver seat control unit detects the output of sliding motor output terminal for 0.1 seconds or more even if the sliding switch is not input	<ul style="list-style-type: none"> <li>• Driver seat control unit</li> <li>• Slide motor harness is shorted</li> </ul>

### DTC CONFIRMATION PROCEDURE

#### 1.STEP 1

1. Turn ignition switch ON.
2. Check "Self diagnostic result" using CONSULT-III.

Is the DTC detected?

- YES >> Refer to [SE-31, "Diagnosis Procedure"](#).  
 NO >> INSPECTION END

### Diagnosis Procedure

INFOID:000000005657267

#### 1.PERFORM DTC CONFIRMATION PROCEDURE

1. Turn ignition switch ON.
2. Check "Self diagnostic result" using CONSULT-III.
3. Erase the DTC.
4. Perform DTC confirmation procedure. Refer to [SE-31, "DTC Logic"](#).

Is the DTC displayed again?

- YES >> GO TO 2.  
 NO >> GO TO 4.

#### 2.CHECK SLIDING MOTOR CIRCUIT (POWER SHORT)

1. Turn ignition switch OFF.
2. Disconnect sliding motor connector and driver seat control unit connector.
3. Check voltage between sliding motor harness connector and ground.

(+)		(-)	Voltage (V) (Approx.)
Sliding motor			
Connector	Terminal	Ground	0
B525	35		
	42		

Is the inspection result normal?

- YES >> GO TO 3.  
 NO >> Repair or replace harness.

#### 3.CHECK DRIVER SEAT CONTROL UNIT OUTPUT SIGNAL

1. Connect driver seat control unit connector.
2. Check voltage between driver seat control unit harness connector and ground.

## B2112 SLIDING MOTOR

### < DTC/CIRCUIT DIAGNOSIS >

(+)		(-)	Voltage (V) (Approx.)
Driver seat control unit			
Connector	Terminal		
B504	35	Ground	0
	42		

Is the inspection result normal?

YES >> GO TO 4.

NO >> Replace driver seat control unit. Refer to [SE-205. "Removal and Installation"](#)

#### 4. CHECK INTERMITTENT INCIDENT

Check intermittent incident.

Refer to [GI-38. "Intermittent Incident"](#).

>> INSPECTION END



# B2113 RECLINING MOTOR

< DTC/CIRCUIT DIAGNOSIS >

## B2113 RECLINING MOTOR

### Description

INFOID:000000005657268

- The seat reclining motor is installed to the seatback frame.
- The seat reclining motor is activated with the driver seat control unit.
- Tilts the seatback frontward/rearward by changing the rotation direction of reclining motor.

### DTC Logic

INFOID:000000005657269

### DTC DETECTION LOGIC

DTC No.	Trouble diagnosis name	DTC detecting condition	Possible cause
B2113	SEAT RECLINING	The driver seat control unit detects the output of reclining motor output terminal for 0.1 seconds or more even if the reclining switch is not input.	<ul style="list-style-type: none"><li>• Driver seat control unit</li><li>• Reclining motor harness is power shorted</li></ul>

### DTC CONFIRMATION PROCEDURE

#### 1. PERFORM DTC CONFIRMATION PROCEDURE

1. Turn ignition switch ON.
2. Check "Self diagnostic result" using CONSULT-III.

Is the DTC detected?

- YES >> Refer to [SE-33, "Diagnosis Procedure"](#).  
NO >> INSPECTION END

### Diagnosis Procedure

INFOID:000000005657270

#### 1. PERFORM DTC CONFIRMATION PROCEDURE

1. Turn ignition switch ON.
2. Check "Self diagnostic result" using CONSULT-III.
3. Erase the DTC.
4. Perform DTC confirmation procedure. Refer to [SE-33, "DTC Logic"](#).

Is the DTC displayed again?

- YES >> GO TO 2.  
NO >> Check intermittent incident. Refer to [GI-38, "Intermittent Incident"](#).

#### 2. CHECK RECLINING MOTOR CIRCUIT (POWER SHORT)

1. Turn ignition switch OFF.
2. Disconnect reclining motor and driver seat control unit connector.
3. Check voltage between reclining motor harness connector and ground.

(+)		(-)	Voltage (V) (Approx.)
Reclining motor			
Connector	Terminal		
B524	36	Ground	0
	44		

Is the inspection result normal?

- YES >> GO TO 3.  
NO >> Repair or replace harness.

#### 3. CHECK DRIVER SEAT CONTROL UNIT OUTPUT SIGNAL

1. Connect driver seat control unit connector.
2. Check voltage between driver seat control unit harness connector and ground.

## B2113 RECLINING MOTOR

### < DTC/CIRCUIT DIAGNOSIS >

(+)		(-)	Voltage (V) (Approx.)
Driver seat control unit			
Connector	Terminal		
B504	36	Ground	0
	44		

Is the inspection result normal?

YES >> GO TO 4.

NO >> Replace driver seat control unit. Refer to [SE-205, "Removal and Installation"](#).

#### 4. CHECK INTERMITTENT INCIDENT

Refer to [GI-38, "Intermittent Incident"](#).

>> INSPECTION END

# POWER SUPPLY AND GROUND CIRCUIT

< DTC/CIRCUIT DIAGNOSIS >

## POWER SUPPLY AND GROUND CIRCUIT

### DRIVER SEAT CONTROL UNIT

#### DRIVER SEAT CONTROL UNIT : Diagnosis Procedure

INFOID:000000005657271

#### NOTE:

Do not disconnect the battery negative terminal and the driver seat control unit connector until DTC is confirmed using CONSULT-III.

#### 1.CHECK FUSE AND FUSIBLE LINK

Check that the following fuse and fusible link are not fusing.

Terminal No.	Signal name	Fuse and fusible link No.
33	Battery power supply	K (40 A)
40		10 (10 A)

Is the inspection result normal?

YES >> GO TO 2.

NO >> Replace the blown fuse and fusible link after repairing the affected circuit if fuse and fusible link are blown.

#### 2.CHECK POWER SUPPLY CIRCUIT

1. Turn ignition switch OFF.
2. Disconnect driver seat control unit connector.
3. Check voltage between driver seat control unit harness connector and ground.

(+)		(-)	Voltage (V) (Approx.)
Driver seat control unit			
Connector	Terminal	Ground	Battery voltage
B504	33		
	40		

Is the inspection result normal?

YES >> GO TO 3.

NO-1 >> Repair or replace harness.

NO-2 >> Check circuit breaker, and replace if NG.

#### 3.CHECK GROUND CIRCUIT

Check continuity between driver seat control unit harness connector and ground.

Driver seat control unit		Ground	Continuity
Connector	Terminal		Existed
B503	32	Ground	Existed
B504	48		

Is the inspection result normal?

YES >> INSPECTION END

NO >> Repair or replace harness.

## PASSENGER SEAT CONTROL UNIT

#### PASSENGER SEAT CONTROL UNIT : Diagnosis Procedure

INFOID:000000005657272

#### 1.CHECK FUSE AND FUSIBLE LINK

Check that the following fuse is not fusing.

# POWER SUPPLY AND GROUND CIRCUIT

## < DTC/CIRCUIT DIAGNOSIS >

Terminal No.	Signal name	Fuse No.
40	Battery power supply	10 (10 A)

Is the inspection result normal?

YES >> GO TO 2.

NO >> Replace the blown fuse after repairing the affected circuit if a fuse is blown.

## 2.CHECK POWER SUPPLY CIRCUIT

1. Turn ignition switch OFF.
2. Disconnect passenger seat control unit connector.
3. Check voltage between passenger seat control unit harness connector and ground.

(+)		(-)	Voltage (V) (Approx.)
Passenger seat control unit			
Connector	Terminal		
B553	33	Ground	Battery voltage
	40		

Is the inspection result normal?

YES >> GO TO 3.

NO-1 >> Repair or replace harness.

NO-2 >> Check circuit breaker, and replace if NG.

## 3.CHECK GROUND CIRCUIT

Check continuity between passenger seat control unit harness connector and ground.

Passenger seat control unit		Ground	Continuity
Connector	Terminal		
B552	32		Existed
B553	48		

Is the inspection result normal?

YES >> INSPECTION END

NO >> Repair or replace harness.

## HEATED SEAT CONTROL UNIT

### HEATED SEAT CONTROL UNIT : Diagnosis Procedure

INFOID:000000005657273

## 1.CHECK FUSE

Check that the following fuse is not fusing.

Signal name	Fuse No.
Battery power supply	35 (15 A)

Is the inspection result normal?

YES >> GO TO 2.

NO >> Replace the blown fuse after repairing the affected circuit if a fuse is blown.

## 2.CHECK POWER SUPPLY 1

1. Turn ignition switch OFF.
2. Disconnect heated seat control unit connector.
3. Turn ignition switch ON.
4. Check voltage between heated seat control unit harness connector and ground.

# POWER SUPPLY AND GROUND CIRCUIT

## < DTC/CIRCUIT DIAGNOSIS >

Heated seat control unit		Terminal	(-)	Voltage (V) (Approx.)
Connector				
Driver side	B518	60	Ground	Battery voltage
Passenger side	B575			

Is the inspection result normal?

YES >> GO TO 4.

NO >> GO TO 3.

### 3.CHECK POWER SUPPLY CIRCUIT 1

1. Turn ignition switch OFF.
2. Disconnect heated seat relay.
3. Check continuity between heated seat control unit harness connector and heated seat relay terminal connector.

Heated seat control unit		Terminal	Heated seat relay		Continuity
Connector			Connector	Terminal	
Driver side	B518	60	M70	3	Existed
Passenger side	B575				

4. Check continuity between heated seat control unit harness connector and ground.

Heated seat control unit		Terminal	Ground	Continuity
Connector				
Driver side	B518	60	Ground	Not existed
Passenger side	B575			

Is the inspection result normal?

YES >> Repair or replace harness between heated seat relay and fuse holder.

NO >> Repair or replace harness between heated seat control unit and heated seat relay.

### 4.CHECK POWER SUPPLY 2

Check voltage between heated seat control unit harness connector and ground.

Heated seat control unit		Terminal	(-)	Condition	Voltage (V) (Approx.)
Connector					
Driver side	B518	66	Ground	ON	Battery voltage
Passenger side	B575			Heated seat switch	OFF
		ON	Battery voltage		
				OFF	0

Is the inspection result normal?

YES >> GO TO 7.

NO >> GO TO 5.

### 5.CHECK POWER SUPPLY CIRCUIT 2

1. Turn ignition switch OFF.
2. Disconnect heated seat switch connector.
3. Check continuity between heated seat control unit harness connector and heated seat switch harness connector.

# POWER SUPPLY AND GROUND CIRCUIT

## < DTC/CIRCUIT DIAGNOSIS >

Heated seat control unit		Heated seat switch		Continuity
Connector	Terminal	Connector	Terminal	
Driver side	B518	66	A/T models: M141 M/T models: M175	Existed
Passenger side	B575		A/T models: M142 M/T models: M176	

4. Check continuity between heated seat control unit harness connector and ground.

Heated seat control unit		Ground	Continuity
Connector	Terminal		
Driver side	B518	66	Not existed
Passenger side	B575		

Is the inspection result normal?

YES >> GO TO 6.

NO >> Repair or replace harness.

### 6.CHECK HEATED SEAT SWITCH

Check heated seat switch.

- Driver side: Refer to [SE-101, "DRIVER SIDE : Component Inspection"](#).
- Passenger side: Refer to [SE-103, "PASSENGER SIDE : Component Inspection"](#).

Is the inspection result normal?

YES >> GO TO 8.

NO >> Replace heated seat switch. Refer to [SE-213, "Removal and Installation"](#).

### 7.CHECK GROUND CIRCUIT

1. Turn ignition switch OFF.
2. Check continuity between heated seat control unit harness connector and ground.

Heated seat control unit		Ground	Continuity
Connector	Terminal		
Driver side	B518	59	Existed
Passenger side	B575		

Is the inspection result normal?

YES >> INSPECTION END

NO >> Repair or replace harness.

### 8.CHECK INTERMITTENT INCIDENT

Check intermittent incident.

Refer to [GI-38, "Intermittent Incident"](#).

>> INSPECTION END

## HEATED SEAT SWITCH

### HEATED SEAT SWITCH : Diagnosis Procedure

INFOID:000000005657274

#### 1.CHECK FUSE

Check that the following fuse is not fusing.

Terminal No.	Signal name	Fuse No.
5	Ignition power supply	3 (10 A)

Is the inspection result normal?

YES >> GO TO 2.

# POWER SUPPLY AND GROUND CIRCUIT

## < DTC/CIRCUIT DIAGNOSIS >

NO >> Replace the blown fuse after repairing the affected circuit if a fuse is blown.

### 2. CHECK POWER SUPPLY

1. Turn ignition switch OFF.
2. Disconnect heated seat switch connector.
3. Turn ignition switch ON.
4. Check voltage between heated seat switch harness connector and ground.

(+)		Terminal	(-)	Voltage (V) (Approx.)
Heated seat switch				
Connector				
Driver side	A/T models: M141 M/T models: M175	5	Ground	Battery voltage
Passenger side	A/T models: M142 M/T models: M176			

Is the inspection result normal?

YES >> INSPECTION END

NO >> GO TO 3.

### 3. CHECK POWER SUPPLY CIRCUIT

1. Turn ignition switch OFF.
2. Disconnect fuse block (J/B) connector.
3. Check continuity between heated seat switch harness connector and fuse block (J/B) harness connector.

Heated seat switch		Terminal	Fuse block (J/B)		Continuity
Connector			Connector	Terminal	
Driver side	A/T models: M141 M/T models: M175	5	M1	2A	Existed
Passenger side	A/T models: M142 M/T models: M176				

4. Check continuity between heated seat switch harness connector and ground.

Heated seat switch		Terminal	Ground	Continuity
Connector				
Driver side	A/T models: M141 M/T models: M175	5	Ground	Not existed
Passenger side	A/T models: M142 M/T models: M176			

Is the inspection result normal?

YES >> GO TO 4.

NO >> Repair or replace harness.

### 4. CHECK FUSE BLOCK (J/B)

1. Turn ignition switch ON.
2. Check voltage between fuse block (J/B) connector (fuse block side) and ground.

(+)		Terminal	(-)	Voltage (V) (Approx.)
Fuse block (J/B)				
Connector				
M1		2A	Ground	Battery voltage

Is the inspection result normal?

YES >> GO TO 5.

NO >> Repair or replace fuse block (J/B).

## POWER SUPPLY AND GROUND CIRCUIT

< DTC/CIRCUIT DIAGNOSIS >

---

### 5.CHECK INTERMITTENT INCIDENT

---

Check intermittent incident.

Refer to [GI-38, "Intermittent Incident"](#)

>> INSPECTION END



# SLIDING SWITCH

< DTC/CIRCUIT DIAGNOSIS >

## SLIDING SWITCH

### DRIVER SIDE

#### DRIVER SIDE : Description

INFOID:000000005657275

- Sliding switch is equipped to the power seat switch on the seat cushion side surface.
- The operation signal is input to the driver seat control unit when the sliding switch is operated.

#### DRIVER SIDE : Component Function Check

INFOID:000000005657276

### 1.CHECK FUNCTION

1. Turn ignition switch ON.
2. Select "SLIDE SW-FR", "SLIDE SW-RR" in the "Data monitor" mode using CONSULT-III.
3. Check sliding switch signal under the following conditions.

Monitor item	Condition		Status
SLIDE SW-FR	Sliding switch (forward)	Operate	ON
		Release	OFF
SLIDE SW-RR	Sliding switch (backward)	Operate	ON
		Release	OFF

Is the indication normal?

- YES >> Sliding switch function is OK.  
 NO >> Refer to [SE-41, "DRIVER SIDE : Diagnosis Procedure"](#).

#### DRIVER SIDE : Diagnosis Procedure

INFOID:000000005657277

### 1.CHECK SLIDING SWITCH SIGNAL

1. Turn ignition switch OFF.
2. Disconnect power seat switch connector.
3. Check voltage between power seat switch harness connector and ground.

(+)		(-)	Voltage (V) (Approx.)
Power seat switch			
Connector	Terminal	Ground	Battery voltage
B511	11		
	26		

Is the inspection result normal?

- YES >> GO TO 3.  
 NO >> GO TO 2.

### 2.CHECK SLIDING SWITCH CIRCUIT

1. Disconnect driver seat control unit connector.
2. Check continuity between driver seat control unit harness connector and power seat switch harness connector.

Driver seat control unit		Power seat switch		Continuity
Connector	Terminal	Connector	Terminal	
B503	11	B511	11	Existed
	26		26	

3. Check continuity between driver seat control unit harness connector and ground.

# SLIDING SWITCH

## < DTC/CIRCUIT DIAGNOSIS >

Driver seat control unit		Ground	Continuity
Connector	Terminal		
B503	11		
	26		

Is the inspection result normal?

- YES >> Replace driver seat control unit. Refer to [SE-205, "Removal and Installation"](#).  
 NO >> Repair or replace harness.

### 3.CHECK SLIDING SWITCH

Check sliding switch.

Refer to [SE-42, "DRIVER SIDE : Component Inspection"](#).

Is the inspection result normal?

- YES >> GO TO 4.  
 NO >> Replace power seat switch. Refer to [SE-209, "Removal and Installation"](#).

### 4.CHECK INTERMITTENT INCIDENT

Check intermittent incident.

Refer to [GI-38, "Intermittent Incident"](#).

>> INSPECTION END

## DRIVER SIDE : Component Inspection

INFOID:000000005657278

### 1.CHECK SLIDING SWITCH

1. Turn ignition switch OFF.
2. Disconnect power seat switch connector.
3. Check continuity between power seat switch terminals.

Power seat switch		Condition	Continuity
Terminal			
32	11	Backward	Existed
		Other than above	Not existed
	26	Forward	Existed
		Other than above	Not existed

Is the inspection result normal?

- YES >> INSPECTION END  
 NO >> Replace power seat switch. Refer to [SE-209, "Removal and Installation"](#).

## PASSENGER SIDE

### PASSENGER SIDE : Description

INFOID:000000005657279

- Sliding switch is equipped to the power seat switch on the seat cushion side surface.
- The operation signal is input to the passenger seat control unit when the sliding switch is operated.

### PASSENGER SIDE : Component Function Check

INFOID:000000005657280

### 1.CHECK FUNCTION

Check seat sliding operation with sliding switch.

Is the indication normal?

- YES >> Sliding switch function is OK.  
 NO >> Refer to [SE-43, "PASSENGER SIDE : Diagnosis Procedure"](#).

# SLIDING SWITCH

< DTC/CIRCUIT DIAGNOSIS >

## PASSENGER SIDE : Diagnosis Procedure

INFOID:000000005657281

### 1. CHECK SLIDING SWITCH SIGNAL

1. Turn ignition switch OFF.
2. Check voltage between passenger seat control unit harness connector and ground.

(+)		(-)	Condition	Voltage (V) (Approx.)	
Passenger seat control unit					
Connector	Terminal				
B552	11	Ground	Sliding switch	Backward	0
				Other than above	Battery voltage
	26			Forward	0
				Other than above	Battery voltage

Is the inspection result normal?

- YES >> Sliding switch circuit is OK.  
 NO >> GO TO 2.

### 2. CHECK SLIDING SWITCH INPUT SIGNAL

1. Disconnect power seat switch connector.
2. Check voltage between power seat switch harness connector and ground.

(+)		(-)	Voltage (V) (Approx.)
Power seat switch			
Connector	Terminal		
B554	22	Ground	Battery voltage
	23		

Is the inspection result normal?

- YES >> GO TO 4.  
 NO >> GO TO 3.

### 3. CHECK SLIDING SWITCH CIRCUIT

1. Disconnect sliding switch (seatback) connector.
2. Check continuity between sliding switch (seatback) harness connector and power seat switch harness connector.

Sliding switch (seatback)		Power seat switch		Continuity
Connector	Terminal	Connector	Terminal	
B561	22	B554	22	Existed
	23		23	

3. Check continuity between sliding switch (seatback) harness connector and ground.

Sliding switch (seatback)		Ground	Continuity
Connector	Terminal		
B561	22		Not existed
	23		

Is the inspection result normal?

- YES >> GO TO 5.  
 NO >> Repair or replace harness.

### 4. CHECK SLIDING SWITCH

Check sliding switch.

Refer to [SE-44, "PASSENGER SIDE : Component Inspection"](#).

# SLIDING SWITCH

< DTC/CIRCUIT DIAGNOSIS >

Is the inspection result normal?

YES >> GO TO 6.

NO >> Replace power seat switch. Refer to [SE-209, "Removal and Installation"](#).

## 5.CHECK SLIDING SWITCH (SEATBACK)

Check sliding switch (seatback).

Refer to [SE-46, "SEATBACK : Component Inspection"](#).

Is the inspection result normal?

YES >> GO TO 6.

NO >> Replace sliding switch (seatback). Refer to [SE-188, "Exploded View"](#).

## 6.CHECK INTERMITTENT INCIDENT

Check intermittent incident.

Refer to [GI-38, "Intermittent Incident"](#).

>> INSPECTION END

## PASSENGER SIDE : Component Inspection

INFOID:000000005657282

### 1.CHECK SLIDING SWITCH

1. Turn ignition switch OFF.
2. Disconnect power seat switch connector.
3. Check continuity between power seat switch terminals.

Power seat switch		Condition	Continuity
Terminal			
32	22	Forward	Existed
		Other than above	Not existed
	23	Backward	Existed
		Other than above	Not existed

Is the inspection result normal?

YES >> INSPECTION END

NO >> Replace power seat switch. Refer to [SE-209, "Removal and Installation"](#).

## SEATBACK

### SEATBACK : Description

INFOID:000000005657283

- Sliding switch is equipped on the seatback.
- The operation signal input to passenger seat control unit when sliding switch (seatback) is operated.

### SEATBACK : Component Function Check

INFOID:000000005657284

#### 1.CHECK FUNCTION

Check seat sliding operation with sliding switch (seatback).

Is the inspection result normal?

YES >> Sliding switch (seatback) function is OK.

NO >> Refer to [SE-44, "SEATBACK : Diagnosis Procedure"](#).

### SEATBACK : Diagnosis Procedure

INFOID:000000005657285

#### 1.CHECK SLIDING SWITCH (SEATBACK) SIGNAL

1. Turn ignition switch OFF.
2. Check voltage between passenger seat control unit harness connector and ground.

# SLIDING SWITCH

## < DTC/CIRCUIT DIAGNOSIS >

(+)		(-)	Condition	Voltage (V) (Approx.)	
Passenger seat control unit					
Connector	Terminal				
B552	11	Ground	Sliding switch (seatback)	Backward	0
				Other than above	Battery voltage
	26			Forward	0
				Other than above	Battery voltage

Is the inspection result normal?

YES >> Sliding switch (seatback) circuit is OK.

NO >> GO TO 2.

### 2.CHECK SLIDING SWITCH (SEATBACK) CIRCUIT

1. Disconnect passenger seat control unit connector and sliding switch (seatback) connector.
2. Check continuity between passenger seat control unit harness connector and sliding switch (seatback) harness connector.

Passenger seat control unit		Sliding switch (seatback)		Continuity
Connector	Terminal	Connector	Terminal	
B552	11	B561	11	Existed
	26		26	

3. Check continuity between passenger seat control unit harness connector and ground.

Passenger seat control unit		Ground	Continuity
Connector	Terminal		
B552	11		Not existed
	26		

Is the inspection result normal?

YES >> GO TO 3.

NO >> Repair or replace harness.

### 3.CHECK SLIDING SWITCH (SEATBACK) GROUND CIRCUIT

Check continuity between sliding switch (seatback) harness connector and ground.

Sliding switch (seatback)		Ground	Continuity
Connector	Terminal		
B561	32		Existed

Is the inspection result normal?

YES >> GO TO 4.

NO >> Repair or replace harness.

### 4.CHECK SLIDING SWITCH (SEATBACK)

Check sliding switch (seatback).

Refer to [SE-46. "SEATBACK : Component Inspection"](#).

Is the inspection result normal?

YES >> GO TO 5.

NO >> Replace sliding switch (seatback). Refer to [SE-188. "Exploded View"](#).

### 5.CHECK PASSENGER SEAT CONTROL UNIT OUTPUT SIGNAL

1. Connect passenger seat control unit connector.
2. Check voltage between passenger seat control unit harness connector and ground.

# SLIDING SWITCH

## < DTC/CIRCUIT DIAGNOSIS >

(+)		(-)	Voltage (V) (Approx.)
Passenger seat control unit			
Connector	Terminal	Ground	Battery voltage
B552	11		
	26		

Is the inspection result normal?

YES >> GO TO 6.

NO >> Replace passenger seat control unit. Refer to [SE-206. "Removal and Installation"](#).

## 6.CHECK INTERMITTENT INCIDENT

Check intermittent incident.

Refer to [GI-38. "Intermittent Incident"](#).

>> INSPECTION END

## SEATBACK : Component Inspection

INFOID:000000005657286

## 1.CHECK SLIDING SWITCH

1. Turn ignition switch OFF.
2. Disconnect sliding switch (seatback) connector.
3. Check continuity between sliding switch (seatback) terminals.

Sliding switch (seatback)		Condition	Continuity
Terminal			
32	11	Backward	Existed
	26	Other than above	Not existed
11		23	Forward
	26	22	Other than above
11		23	Backward
	Other than above		Existed
26	22	Forward	Not existed
		Other than above	Existed

Is the inspection result normal?

YES >> INSPECTION END

NO >> Replace sliding switch (seatback). Refer to [SE-188. "Exploded View"](#).

# RECLINING SWITCH

< DTC/CIRCUIT DIAGNOSIS >

## RECLINING SWITCH DRIVER SIDE

### DRIVER SIDE : Description

INFOID:000000005657287

- Reclining switch is equipped to the power seat switch on the seat cushion side surface.
- The operation signal is input to the driver seat control unit when the reclining switch is operated.

### DRIVER SIDE : Component Function Check

INFOID:000000005657288

#### 1. CHECK FUNCTION

1. Turn ignition switch ON.
2. Select "RECLN SW-FR", "RECLN SW-RR" in the "Data monitor" mode using CONSULT-III.
3. Check reclining switch signal under the following conditions.

Monitor item	Condition		Status
RECLINE SW-FR	Reclining switch (forward)	Operate	ON
		Release	OFF
RECLINE SW-RR	Reclining switch (backward)	Operate	ON
		Release	OFF

Is the indication normal?

- YES >> Reclining switch function is OK.  
 NO >> Refer to [SE-47, "DRIVER SIDE : Diagnosis Procedure"](#).

### DRIVER SIDE : Diagnosis Procedure

INFOID:000000005657289

#### 1. CHECK RECLINING SWITCH SIGNAL

1. Turn ignition switch OFF.
2. Disconnect power seat switch connector.
3. Check voltage between power seat switch harness connector and ground.

(+)		(-)	Voltage (V) (Approx.)
Power seat switch			
Connector	Terminal	Ground	Battery voltage
B511	12		
	27		

Is the inspection result normal?

- YES >> GO TO 3.  
 NO >> GO TO 2.

#### 2. CHECK RECLINING SWITCH CIRCUIT

1. Disconnect driver seat control unit connector.
2. Check continuity between driver seat control unit harness connector and power seat switch harness connector.

Driver seat control unit		Power seat switch		Continuity
Connector	Terminal	Connector	Terminal	
B503	12	B511	12	Existed
	27		27	

3. Check continuity between driver seat control unit harness connector and ground.

# RECLINING SWITCH

## < DTC/CIRCUIT DIAGNOSIS >

Driver seat control unit		Ground	Continuity
Connector	Terminal		
B503	12		
	27		

Is the inspection result normal?

YES >> Replace driver seat control unit. Refer to [SE-205, "Removal and Installation"](#).

NO >> Repair or replace harness.

### 3.CHECK RECLINING SWITCH

Check reclining switch.

Refer to [SE-48, "DRIVER SIDE : Component Inspection"](#).

Is the inspection result normal?

YES >> GO TO 4.

NO >> Replace power seat switch. Refer to [SE-209, "Removal and Installation"](#).

### 4.CHECK INTERMITTENT INCIDENT

Check intermittent incident.

Refer to [GI-38, "Intermittent Incident"](#).

>> INSPECTION END

## DRIVER SIDE : Component Inspection

INFOID:000000005657290

### 1.CHECK RECLINING SWITCH

1. Turn ignition switch OFF.
2. Disconnect power seat switch connector.
3. Check continuity between power seat switch terminals.

Power seat switch		Condition	Continuity
Terminal			
32	12	Backward	Existed
		Other than above	Not existed
	27	Forward	Existed
		Other than above	Not existed

Is the inspection result normal?

YES >> INSPECTION END

NO >> Replace power seat switch. Refer to [SE-209, "Removal and Installation"](#).

## PASSENGER SIDE

### PASSENGER SIDE : Description

INFOID:000000005657291

- Reclining switch is equipped to the power seat switch on the seat cushion side surface.
- The operation signal is input to the passenger seat control unit when the reclining switch is operated.

### PASSENGER SIDE : Component Function Check

INFOID:000000005657292

### 1.CHECK FUNCTION

Check seat reclining operation with reclining switch.

Is the indication normal?

YES >> Reclining switch function is OK.

NO >> Refer to [SE-49, "PASSENGER SIDE : Diagnosis Procedure"](#).



# RECLINING SWITCH

< DTC/CIRCUIT DIAGNOSIS >

## PASSENGER SIDE : Diagnosis Procedure

INFOID:000000005657293

### 1. CHECK RECLINING SWITCH SIGNAL

1. Turn ignition switch OFF.
2. Check voltage between passenger seat control unit harness connector and ground.

(+)		(-)	Condition	Voltage (V) (Approx.)	
Passenger seat control unit					
Connector	Terminal				
B552	12	Ground	Reclining switch	Backward	0
			Other than above	Battery voltage	
	27		Reclining switch	Forward	0
			Other than above	Battery voltage	

Is the inspection result normal?

- YES >> Reclining switch circuit is OK.  
 NO >> GO TO 2.

### 2. CHECK RECLINING SWITCH CIRCUIT

1. Disconnect passenger seat control unit connector and power seat switch connector.
2. Check continuity between passenger seat control unit harness connector and power seat switch harness connector.

Passenger seat control unit		Power seat switch		Continuity
Connector	Terminal	Connector	Terminal	
B552	12	B554	12	Existed
	27		27	

3. Check continuity between passenger seat control unit harness connector and ground.

Passenger seat control unit		Ground	Continuity
Connector	Terminal		
B552	12		Not existed
	27		

Is the inspection result normal?

- YES >> GO TO 3.  
 NO >> Repair or replace harness.

### 3. CHECK RECLINING SWITCH

Check reclining switch.

Refer to [SE-50, "PASSENGER SIDE : Component Inspection"](#).

Is the inspection result normal?

- YES >> GO TO 4.  
 NO >> Replace power seat switch. Refer to [SE-209, "Removal and Installation"](#).

### 4. CHECK PASSENGER SEAT CONTROL UNIT OUTPUT SIGNAL

1. Connect passenger seat control unit connector.
2. Check voltage between passenger seat control unit harness connector and ground.

(+)		(-)	Voltage (V) (Approx.)
Passenger seat control unit			
Connector	Terminal		
B552	12	Ground	Battery voltage
	27		

# RECLINING SWITCH

< DTC/CIRCUIT DIAGNOSIS >

Is the inspection result normal?

YES >> GO TO 5.

NO >> Replace passenger seat control unit. Refer to [SE-206, "Removal and Installation"](#).

## 5.CHECK INTERMITTENT INCIDENT

Check intermittent incident.

Refer to [GI-38, "Intermittent Incident"](#).

>> INSPECTION END

## PASSENGER SIDE : Component Inspection

INFOID:000000005657294

## 1.CHECK RECLINING SWITCH

1. Turn ignition switch OFF.
2. Disconnect power seat switch connector.
3. Check continuity between power seat switch terminals.

Power seat switch		Condition	Continuity
Terminal			
32	12	Backward	Existed
		Other than above	Not existed
	27	Forward	Existed
		Other than above	Not existed

Is the inspection result normal?

YES >> INSPECTION END

NO >> Replace power seat switch. Refer to [SE-209, "Removal and Installation"](#).

# LIFTING SWITCH (FRONT)

< DTC/CIRCUIT DIAGNOSIS >

## LIFTING SWITCH (FRONT)

### DRIVER SIDE

#### DRIVER SIDE : Description

INFOID:000000005657295

- Lifting switch (front) is equipped to the power seat switch on the seat cushion side surface.
- The operation signal is input to the driver seat control unit when the lifting switch (front) is operated.

#### DRIVER SIDE : Component Function Check

INFOID:000000005657296

### 1.CHECK FUNCTION

1. Turn ignition switch ON.
2. Select "LIFT FR SW-UP", "LIFT FR SW-DN" in the "Data monitor" mode using CONSULT-III.
3. Check lifting switch (front) signal under the following conditions.

Monitor item	Condition		Status
LIFT FR SW-UP	Lifting switch front (up)	Operate	ON
		Release	OFF
LIFT FR SW-DN	Lifting switch front (down)	Operate	ON
		Release	OFF

Is the indication normal?

YES >> Lifting switch (front) function is OK.

NO >> Refer to [SE-51, "DRIVER SIDE : Diagnosis Procedure"](#).

#### DRIVER SIDE : Diagnosis Procedure

INFOID:000000005657297

### 1.CHECK LIFTING SWITCH (FRONT) SIGNAL

1. Turn ignition switch OFF.
2. Disconnect power seat switch connector.
3. Check voltage between power seat switch harness connector and ground.

(+)		(-)	Voltage (V) (Approx.)
Power seat switch			
Connector	Terminal	Ground	Battery voltage
B511	13		
	28		

Is the inspection result normal?

YES >> GO TO 3.

NO >> GO TO 2.

### 2.CHECK LIFTING SWITCH (FRONT) CIRCUIT

1. Disconnect driver seat control unit connector.
2. Check continuity between driver seat control unit harness connector and power seat switch harness connector.

Driver seat control unit		Power seat switch		Continuity
Connector	Terminal	Connector	Terminal	
B503	13	B511	13	Existed
	28		28	

3. Check continuity between driver seat control unit harness connector and ground.

# LIFTING SWITCH (FRONT)

## < DTC/CIRCUIT DIAGNOSIS >

Driver seat control unit		Ground	Continuity
Connector	Terminal		
B503	13		Not existed
	28		

Is the inspection result normal?

YES >> Replace driver seat control unit. Refer to [SE-205, "Removal and Installation"](#).

NO >> Repair or replace harness.

### 3.CHECK LIFTING SWITCH (FRONT)

Check lifting switch (front).

Refer to [SE-52, "DRIVER SIDE : Component Inspection"](#).

Is the inspection result normal?

YES >> GO TO 4.

NO >> Replace power seat switch. Refer to [SE-209, "Removal and Installation"](#).

### 4.CHECK INTERMITTENT INCIDENT

Check intermittent incident.

Refer to [GI-38, "Intermittent Incident"](#).

>> INSPECTION END

## DRIVER SIDE : Component Inspection

INFOID:000000005657298

### 1.CHECK LIFTING SWITCH (FRONT)

1. Turn ignition switch OFF.
2. Disconnect power seat switch connector.
3. Check continuity between power seat switch terminals.

Power seat switch		Condition	Continuity
Terminal			
32	13	Down	Existed
		Other than above	Not existed
	28	Up	Existed
		Other than above	Not existed

Is the inspection result normal?

YES >> INSPECTION END

NO >> Replace power seat switch. Refer to [SE-209, "Removal and Installation"](#).

## PASSENGER SIDE

### PASSENGER SIDE : Description

INFOID:000000005657299

- Lifting switch (front) is equipped to the power seat switch on the seat cushion side surface.
- The operation signal is input to the passenger seat control unit when the lifting switch (front) is operated.

### PASSENGER SIDE : Component Function Check

INFOID:000000005657300

### 1.CHECK FUNCTION

Check seat lifting (front) operation with lifting switch (front).

Is the indication normal?

YES >> Lifting switch (front) function is OK.

NO >> Refer to [SE-53, "PASSENGER SIDE : Diagnosis Procedure"](#).

# LIFTING SWITCH (FRONT)

< DTC/CIRCUIT DIAGNOSIS >

## PASSENGER SIDE : Diagnosis Procedure

INFOID:000000005657301

### 1. CHECK LIFTING SWITCH (FRONT) SIGNAL

1. Turn ignition switch OFF.
2. Check voltage between passenger seat control unit harness connector and ground.

(+)		(-)	Condition	Voltage (V) (Approx.)
Passenger seat control unit				
Connector	Terminal			
B552	13	Ground	Down	0
			Other than above	Battery voltage
	28		UP	0
			Other than above	Battery voltage

Is the inspection result normal?

- YES >> Lifting switch (front) circuit is OK.  
 NO >> GO TO 2.

### 2. CHECK LIFTING SWITCH (FRONT) CIRCUIT

1. Disconnect passenger seat control unit connector and power seat switch connector.
2. Check continuity between passenger seat control unit harness connector and power seat switch harness connector.

Passenger seat control unit		Power seat switch		Continuity
Connector	Terminal	Connector	Terminal	
B552	13	B554	13	Existed
	28		28	

3. Check continuity between passenger seat control unit harness connector and ground.

Passenger seat control unit		Ground	Continuity
Connector	Terminal		
B552	13		Not existed
	28		

Is the inspection result normal?

- YES >> GO TO 3.  
 NO >> Repair or replace harness.

### 3. CHECK LIFTING SWITCH (FRONT)

Check lifting switch (front).

Refer to [SE-54, "PASSENGER SIDE : Component Inspection"](#).

Is the inspection result normal?

- YES >> GO TO 4.  
 NO >> Replace power seat switch. Refer to [SE-209, "Removal and Installation"](#).

### 4. CHECK PASSENGER SEAT CONTROL UNIT OUTPUT SIGNAL

1. Connect passenger seat control unit connector.
2. Check voltage between passenger seat control unit harness connector and ground.

(+)		(-)	Voltage (V) (Approx.)
Passenger seat control unit			
Connector	Terminal		
B552	13	Ground	Battery voltage
	28		

## LIFTING SWITCH (FRONT)

< DTC/CIRCUIT DIAGNOSIS >

Is the inspection result normal?

YES >> GO TO 5.

NO >> Replace passenger seat control unit. Refer to [SE-206, "Removal and Installation"](#).

### 5.CHECK INTERMITTENT INCIDENT

Check intermittent incident.

Refer to [GI-38, "Intermittent Incident"](#).

>> INSPECTION END

## PASSENGER SIDE : Component Inspection

INFOID:000000005657302

### 1.CHECK LIFTING SWITCH (FRONT)

1. Turn ignition switch OFF.
2. Disconnect power seat switch connector.
3. Check continuity between power seat switch terminals.

Power seat switch		Condition	Continuity
Terminal			
32	13	Down	Existed
		Other than above	Not existed
	28	Up	Existed
		Other than above	Not existed

Is the inspection result normal?

YES >> INSPECTION END

NO >> Replace power seat switch. Refer to [SE-209, "Removal and Installation"](#).

# LIFTING SWITCH (REAR)

< DTC/CIRCUIT DIAGNOSIS >

## LIFTING SWITCH (REAR)

### DRIVER SIDE

#### DRIVER SIDE : Description

INFOID:000000005657303

- Lifting switch (rear) is equipped to the power seat switch on the seat cushion side surface.
- The operation signal is input to the driver seat control unit when the lifting switch (rear) is operated.

#### DRIVER SIDE : Component Function Check

INFOID:000000005657304

### 1.CHECK FUNCTION

1. Turn ignition switch ON.
2. Select "LIFT RR SW-UP", "LIFT RR SW-DN" in the "Data monitor" mode using CONSULT-III.
3. Check lifting switch (rear) signal under the following conditions.

Monitor item	Condition	Status	
LIFT RR SW-UP	Lifting switch rear (up)	Operate	ON
		Release	OFF
LIFT RR SW-DN	Lifting switch rear (down)	Operate	ON
		Release	OFF

Is the indication normal?

YES >> Lifting switch (rear) function is OK.

NO >> Refer to [SE-55, "DRIVER SIDE : Diagnosis Procedure"](#).

#### DRIVER SIDE : Diagnosis Procedure

INFOID:000000005657305

### 1.CHECK LIFTING SWITCH (REAR) SIGNAL

1. Turn ignition switch OFF.
2. Disconnect power seat switch connector.
3. Check voltage between power seat switch harness connector and ground.

(+)		(-)	Voltage (V) (Approx.)
Power seat switch			
Connector	Terminal	Ground	Battery voltage
B511	14		
	29		

Is the inspection result normal?

YES >> GO TO 3.

NO >> GO TO 2.

### 2.CHECK LIFTING SWITCH (REAR) CIRCUIT

1. Disconnect driver seat control unit connector.
2. Check continuity between driver seat control unit harness connector and power seat switch harness connector.

Driver seat control unit		Power seat switch		Continuity
Connector	Terminal	Connector	Terminal	
B503	14	B511	14	Existed
	29		29	

3. Check continuity between driver seat control unit harness connector and ground.

## LIFTING SWITCH (REAR)

### < DTC/CIRCUIT DIAGNOSIS >

Driver seat control unit		Ground	Continuity
Connector	Terminal		
B503	14		Not existed
	29		

Is the inspection result normal?

YES >> Replace driver seat control unit. Refer to [SE-205, "Removal and Installation"](#).

NO >> Repair or replace harness.

### 3.CHECK LIFTING SWITCH (REAR)

Check lifting switch (rear).

Refer to [SE-56, "DRIVER SIDE : Component Inspection"](#).

Is the inspection result normal?

YES >> GO TO 4.

NO >> Replace power seat switch. Refer to [SE-209, "Removal and Installation"](#).

### 4.CHECK INTERMITTENT INCIDENT

Check intermittent incident.

Refer to [GI-38, "Intermittent Incident"](#).

>> INSPECTION END

## DRIVER SIDE : Component Inspection

INFOID:000000005657306

### 1.CHECK LIFTING SWITCH (REAR)

1. Turn ignition switch OFF.
2. Disconnect power seat switch connector.
3. Check continuity between power seat switch terminals.

Power seat switch		Condition	Continuity
Terminal			
32	14	Down	Existed
		Other than above	Not existed
	29	Up	Existed
		Other than above	Not existed

Is the inspection result normal?

YES >> INSPECTION END

NO >> Replace power seat switch. Refer to [SE-209, "Removal and Installation"](#).

## PASSENGER SIDE

### PASSENGER SIDE : Description

INFOID:000000005657307

- Lifting switch (rear) is equipped to the power seat switch on the seat cushion side surface.
- The operation signal is input to the passenger seat control unit when the lifting switch (rear) is operated.

### PASSENGER SIDE : Component Function Check

INFOID:000000005657308

### 1.CHECK FUNCTION

Check seat lifting (rear) operation with lifting switch (rear).

Is the indication normal?

YES >> Lifting switch (rear) function is OK.

NO >> Refer to [SE-57, "PASSENGER SIDE : Diagnosis Procedure"](#).



# LIFTING SWITCH (REAR)

< DTC/CIRCUIT DIAGNOSIS >

## PASSENGER SIDE : Diagnosis Procedure

INFOID:000000005657309

### 1. CHECK LIFTING SWITCH (REAR) SIGNAL

1. Turn ignition switch OFF.
2. Check voltage between passenger seat control unit harness connector and ground.

(+)		(-)	Condition	Voltage (V) (Approx.)
Passenger seat control unit				
Connector	Terminal			
B552	14	Ground	Down	0
			Other than above	Battery voltage
	29		Up	0
			Other than above	Battery voltage

Is the inspection result normal?

- YES >> Lifting switch (front) circuit is OK.  
 NO >> GO TO 2.

### 2. CHECK LIFTING SWITCH (REAR) CIRCUIT

1. Disconnect passenger seat control unit connector and power seat switch connector.
2. Check continuity between passenger seat control unit harness connector and power seat switch harness connector.

Passenger seat control unit		Power seat switch		Continuity
Connector	Terminal	Connector	Terminal	
B552	14	B554	14	Existed
	29		29	

3. Check continuity between passenger seat control unit harness connector and ground.

Passenger seat control unit		Ground	Continuity
Connector	Terminal		
B552	14		Not existed
	29		

Is the inspection result normal?

- YES >> GO TO 3.  
 NO >> Repair or replace harness.

### 3. CHECK LIFTING SWITCH (REAR)

Check lifting switch (rear).

Refer to [SE-58, "PASSENGER SIDE : Component Inspection"](#).

Is the inspection result normal?

- YES >> GO TO 4.  
 NO >> Replace power seat switch. Refer to [SE-209, "Removal and Installation"](#).

### 4. CHECK PASSENGER SEAT CONTROL UNIT OUTPUT SIGNAL

1. Connect passenger seat control unit connector.
2. Check voltage between passenger seat control unit harness connector and ground.

(+)		(-)	Voltage (V) (Approx.)
Passenger seat control unit			
Connector	Terminal		
B552	14	Ground	Battery voltage
	29		

## LIFTING SWITCH (REAR)

< DTC/CIRCUIT DIAGNOSIS >

Is the inspection result normal?

YES >> GO TO 5.

NO >> Replace passenger seat control unit. Refer to [SE-206, "Removal and Installation"](#).

### 5.CHECK INTERMITTENT INCIDENT

Check intermittent incident.

Refer to [GI-38, "Intermittent Incident"](#).

>> INSPECTION END

## PASSENGER SIDE : Component Inspection

INFOID:000000005657310

### 1.CHECK LIFTING SWITCH (REAR)

1. Turn ignition switch OFF.
2. Disconnect power seat switch connector.
3. Check continuity between power seat switch terminals.

Power seat switch		Condition	Continuity
Terminal			
32	14	Down	Existed
		Other than above	Not existed
	29	Up	Existed
		Other than above	Not existed

Is the inspection result normal?

YES >> INSPECTION END

NO >> Replace power seat switch. Refer to [SE-209, "Removal and Installation"](#).

# POWER SEAT SWITCH GROUND CIRCUIT

< DTC/CIRCUIT DIAGNOSIS >

## POWER SEAT SWITCH GROUND CIRCUIT

### DRIVER SIDE

#### DRIVER SIDE : Diagnosis Procedure

INFOID:000000005657311

#### 1.CHECK POWER SEAT SWITCH GROUND CIRCUIT

1. Turn ignition switch OFF.
2. Disconnect power seat switch connector.
3. Check continuity between power seat switch connector and ground.

Power seat switch		Ground	Continuity
Connector	Terminal		
B511	32		Existed

Is the inspection result normal?

- YES >> GO TO 2.  
NO >> Repair or replace harness.

#### 2.CHECK POWER SEAT SWITCH INTERNAL CIRCUIT

Check lifting switch (rear).

Refer to [SE-56, "DRIVER SIDE : Component Inspection"](#).

Is the inspection result normal?

- YES >> GO TO 3.  
NO >> Replace power seat switch. Refer to [SE-209, "Removal and Installation"](#).

#### 3.CHECK INTERMITTENT INCIDENT

Check intermittent incident.

Refer to [GI-38, "Intermittent Incident"](#).

>> INSPECTION END

### PASSENGER SIDE

#### PASSENGER SIDE : Diagnosis Procedure

INFOID:000000005657312

#### 1.CHECK POWER SEAT SWITCH GROUND CIRCUIT

1. Turn ignition switch OFF.
2. Disconnect power seat switch connector.
3. Check continuity between power seat switch connector and ground.

Power seat switch		Ground	Continuity
Connector	Terminal		
B554	32		Existed

Is the inspection result normal?

- YES-1:When power seat switch does not operate any components.>>GO TO 2.  
YES-2:When all power seat components do not operate.>>GO TO 3.  
NO >> Repair or replace harness.

#### 2.CHECK POWER SEAT SWITCH INTERNAL CIRCUIT

Check sliding switch.

Refer to [SE-44, "PASSENGER SIDE : Component Inspection"](#).

Is the inspection result normal?

- YES >> GO TO 3.  
NO >> Replace power seat switch. Refer to [SE-209, "Removal and Installation"](#).

#### 3.CHECK INTERMITTENT INCIDENT

A  
B  
C  
D  
E  
F  
G  
H  
I  
SE  
K  
L  
M  
N  
O  
P

## POWER SEAT SWITCH GROUND CIRCUIT

< DTC/CIRCUIT DIAGNOSIS >

---

Check intermittent incident.

Refer to [GI-38, "Intermittent Incident"](#).

>> INSPECTION END

# FORWARD SWITCH

< DTC/CIRCUIT DIAGNOSIS >

## FORWARD SWITCH DRIVER SIDE

### DRIVER SIDE : Description

INFOID:000000005657313

- Forward switch is installed on the seatback frame.
- Forward switch detects condition of seatback.

### DRIVER SIDE : Component Function Check

INFOID:000000005657314

#### 1. CHECK FUNCTION

1. Turn ignition switch ON.
2. Select "FORWARD SW" in the "Data Monitor" mode using CONSULT-III.
3. Check the forward switch signal under the following condition.

Test item	Condition		Status
FORWARD SW	Driver side seatback	Folded up	ON
		Folded down	OFF

Is the indication normal?

YES >> Forward switch function is OK.

NO >> Refer to [SE-61, "DRIVER SIDE : Diagnosis Procedure"](#).

### DRIVER SIDE : Diagnosis Procedure

INFOID:000000005657315

#### 1. CHECK FORWARD SWITCH INPUT SIGNAL

1. Turn ignition switch OFF.
2. Disconnect forward switch connector.
3. Check voltage between forward switch harness connector and ground.

(+)		(-)	Condition	Voltage (V) (Approx.)
Forward switch				
Connector	Terminal			
B512	41	Ground	Not in the sleep mode	5

Is the inspection result normal?

YES >> GO TO 3.

NO >> GO TO 2.

#### 2. CHECK FORWARD SWITCH CIRCUIT

1. Disconnect driver seat control unit connector.
2. Check continuity between driver seat control unit harness connector and forward switch harness connector.

Driver seat control unit		Forward switch		Continuity
Connector	Terminal	Connector	Terminal	
B504	41	B512	41	Existed

3. Check continuity between driver seat control unit harness connector and ground.

Driver seat control unit		Ground	Continuity
Connector	Terminal		
B504	41		Not existed

Is the inspection result normal?

YES >> Replace driver seat control unit. Refer to [SE-205, "Removal and Installation"](#)

NO >> Repair or replace harness.

# FORWARD SWITCH

< DTC/CIRCUIT DIAGNOSIS >

## 3.CHECK FORWARD SWITCH GROUND CIRCUIT

Check continuity between forward switch harness connector and ground.

Forward switch		Ground	Continuity
Connector	Terminal		
B512	32		Existed

Is the inspection result normal?

- YES >> GO TO 4.
- NO >> Repair or replace harness.

## 4.CHECK FORWARD SWITCH

Check forward switch.

Refer to [SE-62, "DRIVER SIDE : Component Inspection"](#).

Is the inspection result normal?

- YES >> GO TO 5.
- NO >> Replace forward switch. Refer to [SE-188, "Exploded View"](#).

## 5.CHECK INTERMITTENT INCIDENT

Check intermittent incident.

Refer to [GI-38, "Intermittent Incident"](#).

>> INSPECTION END

## DRIVER SIDE : Component Inspection

INFOID:000000005657316

### 1.CHECK FORWARD SWITCH

1. Turn ignition switch OFF.
2. Disconnect forward switch connector.
3. Check continuity between forward switch terminals.

Forward switch		Condition	Continuity	
Terminal				
41	32	Driver side seatback	Folded up	Not existed
			Folded down	Existed

Is the inspection result normal?

- YES >> INSPECTION END
- NO >> Replace forward switch. Refer to [SE-188, "Exploded View"](#).

## PASSENGER SIDE

### PASSENGER SIDE : Description

INFOID:000000005657317

- Forward switch is installed on seatback frame.
- Forward switch detects condition of seatback.

### PASSENGER SIDE : Component Function Check

INFOID:000000005657318

#### 1.CHECK FUNCTION

Check that power walk-in function does not activate when seatback is folded up.

Is the inspection result normal?

- YES >> Forward switch function is OK.
- NO >> Refer to [SE-63, "PASSENGER SIDE : Diagnosis Procedure"](#).

# FORWARD SWITCH

< DTC/CIRCUIT DIAGNOSIS >

## PASSENGER SIDE : Diagnosis Procedure

INFOID:000000005657319

### 1. CHECK FORWARD SWITCH INPUT SIGNAL

1. Turn ignition switch OFF.
2. Check voltage between passenger seat control unit harness connector and ground.

(+)		(-)	Condition	Voltage (V) (Approx.)
Passenger seat control unit				
Connector	Terminal			
B553	41	Ground	Seatback is folded up and not in the sleep mode	5
			Other than above	0

Is the inspection result normal?

- YES >> Forward switch circuit is OK.  
NO >> GO TO 2.

### 2. CHECK FORWARD SWITCH CIRCUIT

1. Disconnect passenger seat control unit connector and forward switch connector.
2. Check continuity between passenger seat control unit harness connector and forward switch harness connector.

Passenger seat control unit		Forward switch		Continuity
Connector	Terminal	Connector	Terminal	
B553	41	B556	41	Existed

3. Check continuity between passenger seat control unit harness connector and ground.

Passenger seat control unit		Ground	Continuity
Connector	Terminal		
B553	41		Not existed

Is the inspection result normal?

- YES >> GO TO 3.  
NO >> Repair or replace harness.

### 3. FORWARD SWITCH GROUND CIRCUIT

Check continuity between forward switch harness connector and ground.

Forward switch		Ground	Continuity
Connector	Terminal		
B556	32		Existed

Is the inspection result normal?

- YES >> GO TO 4.  
NO >> Repair or replace harness.

### 4. CHECK FORWARD SWITCH

Check forward switch.

Refer to [SE-64. "PASSENGER SIDE : Component Inspection"](#).

Is the inspection result normal?

- YES >> GO TO 5.  
NO >> Replace forward switch. Refer to [SE-188. "Exploded View"](#).

### 5. CHECK PASSENGER SEAT CONTROL UNIT OUTPUT SIGNAL

1. Connect passenger seat control unit connector.
2. Check voltage between passenger seat control unit harness connector and ground.

# FORWARD SWITCH

## < DTC/CIRCUIT DIAGNOSIS >

(+)		(-)	Condition	Voltage (V) (Approx.)
Passenger seat control unit				
Connector	Terminal			
B553	41	Ground	Not in the sleep mode	5

Is the inspection result normal?

YES >> GO TO 6.

NO >> Replace passenger seat control unit. Refer to [SE-206, "Removal and Installation"](#).

## 6.CHECK INTERMITTENT INCIDENT

Check intermittent incident.

Refer to [GI-38, "Intermittent Incident"](#).

>> INSPECTION END

## PASSENGER SIDE : Component Inspection

INFOID:000000005657320

## 1.CHECK FORWARD SWITCH

1. Turn ignition switch OFF.
2. Disconnect forward switch connector.
3. Check continuity between forward switch terminals.

Forward switch		Condition	Continuity	
Terminal				
32	41	Passenger side seatback	Folded up	Not existed
			Folded down	Existed

Is the inspection result normal?

YES >> INSPECTION END

NO >> Replace forward switch. Refer to [SE-188, "Exploded View"](#).



# SEAT BELT BUCKLE SWITCH

< DTC/CIRCUIT DIAGNOSIS >

## SEAT BELT BUCKLE SWITCH

### DRIVER SIDE

#### DRIVER SIDE : Description

INFOID:000000005657321

- Seat belt buckle switch is installed in seat belt buckle.
- Seat belt buckle switch detects condition of seat belt.

#### DRIVER SIDE : Component Function Check

INFOID:000000005657322

### 1. CHECK FUNCTION

1. Turn ignition switch ON.
2. Select "SEAT BELT SW" in the "Data Monitor" mode using CONSULT-III.
3. Check the forward switch signal under the following condition.

Test item	Condition		Status
SEAT BELT SW	Driver side seat belt	Fastened	ON
		Released	OFF

Is the indication normal?

- YES >> Seat belt buckle switch (driver side) function is OK.  
 NO >> Refer to [SE-65, "DRIVER SIDE : Diagnosis Procedure"](#).

#### DRIVER SIDE : Diagnosis Procedure

INFOID:000000005657323

### 1. CHECK SEAT BELT BUCKLE SWITCH (DRIVER SIDE) INPUT SIGNAL

1. Turn ignition switch OFF.
2. Disconnect seat belt buckle switch (driver side) connector.
3. Check voltage between seat belt buckle switch (driver side) harness connector and ground.

(+)		(-)	Condition	Voltage (V) (Approx.)
Seat belt buckle switch (driver side)				
Connector	Terminal			
B13	1	Ground	Not in the sleep mode	5

Is the inspection result normal?

- YES >> GO TO 3.  
 NO >> GO TO 2.

### 2. CHECK SEAT BELT BUCKLE SWITCH (DRIVER SIDE) CIRCUIT

1. Disconnect driver seat control unit connector.
2. Check continuity between driver seat control unit harness connector and seat belt buckle switch (driver side) harness connector.

Driver seat control unit		Seat belt buckle switch (driver side)		Continuity
Connector	Terminal	Connector	Terminal	
B503	5	B13	1	Existed

3. Check continuity between driver seat control unit harness connector and ground.

Driver seat control unit		Ground	Continuity
Connector	Terminal		
B503	5		Not existed

Is the inspection result normal?

- YES >> Replace driver seat control unit. Refer to [SE-205, "Removal and Installation"](#).  
 NO >> Repair or replace harness.

# SEAT BELT BUCKLE SWITCH

< DTC/CIRCUIT DIAGNOSIS >

## 3. CHECK SEAT BELT BUCKLE SWITCH (DRIVER SIDE) GROUND CIRCUIT

Check continuity between seat belt buckle switch (driver side) harness connector and ground.

Seat belt buckle switch (driver side)		Ground	Continuity
Connector	Terminal		
B13	2		Existed

Is the inspection result normal?

- YES >> GO TO 4.
- NO >> Repair or replace harness.

## 4. CHECK SEAT BELT BUCKLE SWITCH

Check seat belt buckle switch (driver side).

Refer to [SE-66, "DRIVER SIDE : Component Inspection"](#).

Is the inspection result normal?

- YES >> GO TO 5.
- NO >> Replace seat belt buckle switch (driver side). Refer to [SE-188, "Exploded View"](#).

## 5. CHECK INTERMITTENT INCIDENT

Check intermittent incident.

Refer to [GI-38, "Intermittent Incident"](#).

>> INSPECTION END

## DRIVER SIDE : Component Inspection

INFOID:000000005657324

### 1. CHECK SEAT BELT BUCKLE SWITCH (DRIVER SIDE)

1. Turn ignition switch OFF.
2. Disconnect seat belt buckle switch (driver side) connector.
3. Check continuity between seat belt buckle switch (driver side) terminals.

Seat belt buckle switch (driver side)		Condition	Continuity	
Terminal				
1	2	Driver side seat belt	Fastened	Not existed
			Released	Existed

Is the inspection result normal?

- YES >> INSPECTION END
- NO >> Replace seat belt buckle switch (driver side). Refer to [SE-188, "Exploded View"](#).

## PASSENGER SIDE

### PASSENGER SIDE : Description

INFOID:000000005657325

- Seat belt buckle switch is installed in seat belt buckle.
- Seat belt buckle switch detects condition of seat belt.

### PASSENGER SIDE : Component Function Check

INFOID:000000005657326

#### 1. CHECK FUNCTION

Check that power walk-in function does not activate when seat belt is fastened.

Is the inspection result normal?

- YES >> Seat belt buckle switch (passenger side) is OK.
- NO >> Refer to [SE-67, "PASSENGER SIDE : Diagnosis Procedure"](#).

# SEAT BELT BUCKLE SWITCH

< DTC/CIRCUIT DIAGNOSIS >

## PASSENGER SIDE : Diagnosis Procedure

INFOID:000000005657327

### 1. CHECK SEAT BELT BUCKLE SWITCH SIGNAL

1. Turn ignition switch OFF.
2. Check voltage between passenger seat control unit harness connector and ground.

(+)		(-)	Condition	Voltage (V) (Approx.)
Passenger seat control unit				
Connector	Terminal			
B552	5	Ground	Passenger side seat belt is fastened, and not in the sleep mode	5
			Other than above	0

Is the inspection result normal?

YES >> Seat belt buckle switch (passenger side) circuit is OK.

NO >> GO TO 2.

### 2. CHECK SEAT BELT BUCKLE SWITCH (PASSENGER SIDE) CIRCUIT

1. Disconnect passenger seat control unit connector and seat belt buckle switch (passenger side) connector.
2. Check continuity between passenger seat control unit harness connector and seat belt buckle switch (passenger side) harness connector.

Passenger seat control unit		Seat belt buckle switch (passenger side)		Continuity
Connector	Terminal	Connector	Terminal	
B552	5	B213	1	Existed

3. Check continuity between passenger seat control unit harness connector and ground.

Passenger seat control unit		Ground	Continuity
Connector	Terminal		
B552	5		Not existed

Is the inspection result normal?

YES >> GO TO 3.

NO >> Repair or replace harness.

### 3. CHECK SEAT BELT BUCKLE SWITCH (PASSENGER SIDE) GROUND CIRCUIT

Check continuity between seat belt buckle switch (passenger side) harness connector and ground.

Seat belt buckle switch (passenger side)		Ground	Continuity
Connector	Terminal		
B213	2		Existed

Is the inspection result normal?

YES >> GO TO 4.

NO >> Repair or replace harness.

### 4. CHECK SEAT BELT BUCKLE SWITCH (PASSENGER SIDE)

Check seat belt buckle switch.

Refer to [SE-68. "PASSENGER SIDE : Component Inspection"](#).

Is the inspection result normal?

YES >> GO TO 5.

NO >> Replace seat belt buckle switch (passenger side). Refer to [SE-188. "Exploded View"](#).

### 5. CHECK PASSENGER SEAT CONTROL UNIT OUTPUT SIGNAL

1. Connect passenger seat control unit connector.
2. Check voltage between passenger seat control unit harness connector and ground.

# SEAT BELT BUCKLE SWITCH

## < DTC/CIRCUIT DIAGNOSIS >

(+)		(-)	Condition	Voltage (V) (Approx.)
Passenger seat control unit				
Connector	Terminal			
B552	5	Ground	Not in the sleep mode	5

Is the inspection result normal?

YES >> GO TO 6.

NO >> Replace passenger seat control unit. Refer to [SE-206, "Removal and Installation"](#).

## 6.CHECK INTERMITTENT INCIDENT

Check intermittent incident.

Refer to [GI-38, "Intermittent Incident"](#).

>> INSPECTION END

## PASSENGER SIDE : Component Inspection

INFOID:000000005657328

### 1.CHECK SEAT BELT BUCKLE SWITCH (PASSENGER SIDE)

1. Turn ignition switch OFF.
2. Disconnect seat belt buckle switch (passenger side) connector.
3. Check continuity between seat belt buckle switch (passenger side) terminals.

Seat belt buckle switch (passenger side)		Condition	Continuity
Terminal			
1	2	Passenger side seat belt	Fastened Released
			Not existed Existed

Is the inspection result normal?

YES >> INSPECTION END

NO >> Replace seat belt buckle switch (passenger side). Refer to [SE-188, "Exploded View"](#).

# SLIDING LIMIT SWITCH

< DTC/CIRCUIT DIAGNOSIS >

## SLIDING LIMIT SWITCH

### DRIVER SIDE

#### DRIVER SIDE : Description

INFOID:000000005657329

- Sliding limit switch is installed on seat cushion frame.
- Sliding limit switch detects condition of seat sliding.

#### DRIVER SIDE : Component Function Check

INFOID:000000005657330

### 1. CHECK FUNCTION

1. Turn ignition switch ON.
2. Select "FWD LIMIT SW" in the "Data Monitor" mode using CONSULT-III.
3. Check the sliding limit switch signal under the following condition.

Test item	Condition		Status
FWD LIMIT SW	Seat sliding	Front edge	ON
		Other than above	OFF

Is the indication normal?

- YES >> Sliding limit switch function is OK.  
 NO >> Refer to [SE-69, "DRIVER SIDE : Diagnosis Procedure"](#).

#### DRIVER SIDE : Diagnosis Procedure

INFOID:000000005657331

### 1. CHECK SLIDING LIMIT SWITCH INPUT SIGNAL

1. Turn ignition switch OFF.
2. Disconnect sliding limit switch connector.
3. Check voltage between sliding limit switch harness connector and ground.

(+)		(-)	Condition	Voltage (V) (Approx.)
Sliding limit switch				
Connector	Terminal			
B514	4	Ground	Not in the sleep mode	5

Is the inspection result normal?

- YES >> GO TO 3.  
 NO >> GO TO 2.

### 2. CHECK SLIDING LIMIT SWITCH CIRCUIT

1. Disconnect driver seat control unit connector.
2. Check continuity between driver seat control unit harness connector and sliding limit switch harness connector.

Driver seat control unit		Sliding limit switch		Continuity
Connector	Terminal	Connector	Terminal	
B503	4	B514	4	Existed

3. Check continuity between driver seat control unit harness connector and ground.

Driver seat control unit		Ground	Continuity
Connector	Terminal		
B503	4		Not existed

Is the inspection result normal?

- YES >> Replace driver seat control unit. Refer to [SE-205, "Removal and Installation"](#).  
 NO >> Repair or replace harness.

# SLIDING LIMIT SWITCH

< DTC/CIRCUIT DIAGNOSIS >

## 3.CHECK SLIDING LIMIT SWITCH GROUND CIRCUIT

Check continuity between sliding limit switch harness connector and ground.

Sliding limit switch		Ground	Continuity
Connector	Terminal		
B514	32		Existed

Is the inspection result normal?

- YES >> GO TO 4.
- NO >> Repair or replace harness.

## 4.CHECK SLIDING LIMIT SWITCH

Check sliding limit switch.

Refer to [SE-70, "DRIVER SIDE : Component Inspection"](#).

Is the inspection result normal?

- YES >> GO TO 5.
- NO >> Replace sliding limit switch. Refer to [SE-188, "Exploded View"](#).

## 5.CHECK INTERMITTENT INCIDENT

Check intermittent incident.

Refer to [GI-38, "Intermittent Incident"](#).

>> INSPECTION END

## DRIVER SIDE : Component Inspection

INFOID:000000005657332

### 1.CHECK SLIDING LIMIT SWITCH

1. Turn ignition switch OFF.
2. Disconnect sliding limit switch connector.
3. Check continuity between sliding limit switch terminals.

Sliding limit switch		Condition	Continuity
Terminal			
4	32	Seat sliding	Front edge Not existed
			Other than above Existed

Is the inspection result normal?

- YES >> INSPECTION END
- NO >> Replace sliding limit switch. Refer to [SE-188, "Exploded View"](#).

## PASSENGER SIDE

### PASSENGER SIDE : Description

INFOID:000000005657333

- Sliding limit switch is installed on seat cushion frame.
- Sliding limit switch detects condition of seat sliding.

### PASSENGER SIDE : Component Function Check

INFOID:000000005657334

#### 1.CHECK FUNCTION

Check whether or not power walk-in function activates normally when power walk-in switch is pressed.

Is the inspection result normal?

- YES >> Sliding limit switch function is OK.
- NO >> Refer to [SE-71, "PASSENGER SIDE : Diagnosis Procedure"](#).

# SLIDING LIMIT SWITCH

< DTC/CIRCUIT DIAGNOSIS >

## PASSENGER SIDE : Diagnosis Procedure

INFOID:0000000005657335

### 1. CHECK SLIDING LIMIT SWITCH SIGNAL

1. Turn ignition switch OFF.
2. Check voltage between passenger seat control unit harness connector and ground.

(+)		(-)	Condition	Voltage (V) (Approx.)
Passenger seat control unit				
Connector	Terminal			
B552	4	Ground	Sliding position is front edge and not in the sleep mode	5
			Other than above	0

Is the inspection result normal?

YES >> Sliding switch circuit is OK.

NO >> GO TO 2.

### 2. CHECK SLIDING LIMIT SWITCH CIRCUIT

1. Disconnect passenger seat control unit connector and sliding limit switch connector.
2. Check continuity between passenger seat control unit harness connector and sliding limit switch harness connector.

Passenger seat control unit		Sliding limit switch		Continuity
Connector	Terminal	Connector	Terminal	
B552	4	B558	4	Existed

3. Check continuity between passenger seat control unit harness connector and ground.

Passenger seat control unit		Ground	Continuity
Connector	Terminal		
B552	4		Not existed

Is the inspection result normal?

YES >> GO TO 3.

NO >> Repair or replace harness.

### 3. CHECK SLIDING LIMIT SWITCH GROUND CIRCUIT

Check continuity between sliding limit switch harness connector and ground.

Sliding limit switch		Ground	Continuity
Connector	Terminal		
B558	32		Existed

Is the inspection result normal?

YES >> GO TO 4.

NO >> Repair or replace harness.

### 4. CHECK SLIDING LIMIT SWITCH

Check sliding limit switch.

Refer to [SE-72. "PASSENGER SIDE : Component Inspection"](#).

Is the inspection result normal?

YES >> GO TO 5.

NO >> Replace sliding limit switch. Refer to [SE-188. "Exploded View"](#).

### 5. CHECK PASSENGER SEAT CONTROL UNIT OUTPUT SIGNAL

1. Connect passenger seat control unit connector.
2. Check voltage between passenger seat control unit harness connector and ground.

## SLIDING LIMIT SWITCH

### < DTC/CIRCUIT DIAGNOSIS >

(+)		(-)	Condition	Voltage (V) (Approx.)
Passenger seat control unit				
Connector	Terminal			
B552	4	Ground	Not in the sleep mode	5

Is the inspection result normal?

YES >> GO TO 6.

NO >> Replace passenger seat control unit. Refer to [SE-206, "Removal and Installation"](#).

### 6.CHECK INTERMITTENT INCIDENT

Check intermittent incident.

Refer to [GI-38, "Intermittent Incident"](#).

>> INSPECTION END

## PASSENGER SIDE : Component Inspection

INFOID:000000005657336

### 1.CHECK SLIDING LIMIT SWITCH

1. Turn ignition switch OFF.
2. Disconnect sliding limit switch connector.
3. Check continuity between sliding limit switch terminals.

Sliding limit switch		Condition	Continuity
Terminal			
4	32	Seat sliding	Front edge Not existed
			Other than above Existed

Is the inspection result normal?

YES >> INSPECTION END

NO >> Replace sliding limit switch. Refer to [SE-188, "Exploded View"](#).



# POWER WALK-IN SWITCH

< DTC/CIRCUIT DIAGNOSIS >

## POWER WALK-IN SWITCH DRIVER SIDE

### DRIVER SIDE : Description

INFOID:000000005657337

- Power walk-in switch is installed on seatback.
- The operation signal is input to driver seat control unit when power walk-in switch is operated.

### DRIVER SIDE : Component Function Check

INFOID:000000005657338

#### 1. CHECK FUNCTION

1. Turn ignition switch ON.
2. Select "WALK-IN SW" in the "Data Monitor" mode using CONSULT-III.
3. Check the power walk-in switch signal under the following condition.

Test item	Condition		Status
WALK-IN SW	Power walk-in switch	Pressed	ON
		Released	OFF

Is the indication normal?

YES >> Power walk-in switch function is OK.

NO >> Refer to [SE-73, "DRIVER SIDE : Diagnosis Procedure"](#).

### DRIVER SIDE : Diagnosis Procedure

INFOID:000000005657339

#### 1. CHECK POWER WALK-IN SWITCH SIGNAL

1. Turn ignition switch OFF.
2. Disconnect power walk-in switch connector.
3. Check voltage between power walk-in switch harness connector and ground.

(+) Power walk-in switch		(-)	Voltage (V) (Approx.)
Connector	Terminal		
B513	30	Ground	Battery voltage

Is the inspection result normal?

YES >> GO TO 3.

NO >> GO TO 2.

#### 2. CHECK POWER WALK-IN SWITCH CIRCUIT

1. Disconnect driver seat control unit connector.
2. Check continuity between driver seat control unit harness connector and power walk-in switch harness connector.

Driver seat control unit		Power walk-in switch		Continuity
Connector	Terminal	Connector	Terminal	
B503	30	B513	30	Existed

3. Check continuity between driver seat control unit harness connector and ground.

Driver seat control unit		Ground	Continuity
Connector	Terminal		
B503	30		Not existed

Is the inspection result normal?

YES >> Replace driver seat control unit. Refer to [SE-205, "Removal and Installation"](#).

NO >> Repair or replace harness.

# POWER WALK-IN SWITCH

< DTC/CIRCUIT DIAGNOSIS >

## 3. CHECK POWER WALK-IN SWITCH GROUND CIRCUIT

Check continuity between power walk-in switch harness connector and ground.

Power walk-in switch		Ground	Continuity
Connector	Terminal		
B513	32		Existed

Is the inspection result normal?

YES >> GO TO 4.

NO >> Repair or replace harness.

## 4. CHECK POWER WALK-IN SWITCH

Check power walk-in switch.

Refer to [SE-74, "DRIVER SIDE : Component Inspection"](#).

Is the inspection result normal?

YES >> GO TO 5.

NO >> Replace power walk-in switch. Refer to [SE-188, "Exploded View"](#).

## 5. CHECK INTERMITTENT INCIDENT

Check intermittent incident.

Refer to [GI-38, "Intermittent Incident"](#).

>> INSPECTION END

## DRIVER SIDE : Component Inspection

INFOID:000000005657340

### 1. CHECK POWER WALK-IN SWITCH

1. Turn ignition switch OFF.
2. Disconnect power walk-in switch connector.
3. Check continuity between power walk-in switch terminals.

Power walk-in switch		Condition	Continuity	
Terminal				
30	32	Power walk-in switch	Pressed	Existed
			Released	Not existed

Is the inspection result normal?

YES >> INSPECTION END

NO >> Replace power walk-in switch. Refer to [SE-188, "Exploded View"](#).

## PASSENGER SIDE

### PASSENGER SIDE : Description

INFOID:000000005657341

- Power walk-in switch is installed on seatback.
- The operation signal is input to passenger seat control unit when power walk-in switch is operated.

### PASSENGER SIDE : Component Function Check

INFOID:000000005657342

#### 1. CHECK FUNCTION

Check whether or not power walk-in function activates normally when power walk-in switch is pressed.

Is the indication normal?

YES >> Power walk-in switch function is OK.

NO >> Refer to [SE-75, "PASSENGER SIDE : Diagnosis Procedure"](#).

# POWER WALK-IN SWITCH

< DTC/CIRCUIT DIAGNOSIS >

## PASSENGER SIDE : Diagnosis Procedure

INFOID:000000005657343

### 1. CHECK POWER WALK-IN SWITCH SIGNAL

1. Turn ignition switch OFF.
2. Check voltage between passenger seat control unit harness connector and ground.

(+)		(-)	Condition	Voltage (V) (Approx.)	
Passenger seat control unit					
Connector	Terminal				
B552	30	Ground	Power walk-in switch	Pressed	0
				Released	Battery voltage

Is the inspection result normal?

- YES >> Power walk-in switch circuit is OK.  
NO >> GO TO 2.

### 2. CHECK POWER WALK-IN SWITCH CIRCUIT

1. Disconnect passenger seat control unit connector and power walk-in switch connector.
2. Check continuity between passenger seat control unit harness connector and power walk-in switch harness connector.

Passenger seat control unit		Power walk-in switch		Continuity
Connector	Terminal	Connector	Terminal	
B552	30	B557	30	Existed

3. Check continuity between passenger seat control unit harness connector and ground.

Passenger seat control unit		Ground	Continuity
Connector	Terminal		
B552	30		Not existed

Is the inspection result normal?

- YES >> GO TO 3.  
NO >> Repair or replace harness.

### 3. CHECK POWER WALK-IN SWITCH GROUND CIRCUIT

Check continuity between power walk-in switch harness connector and ground.

Power walk-in switch		Ground	Continuity
Connector	Terminal		
B557	32		Existed

Is the inspection result normal?

- YES >> GO TO 4.  
NO >> Repair or replace harness.

### 4. CHECK POWER WALK-IN SWITCH

Check power walk-in switch.

Refer to [SE-76, "PASSENGER SIDE : Component Inspection"](#).

Is the inspection result normal?

- YES >> GO TO 5.  
NO >> Replace power walk-in switch. Refer to [SE-188, "Exploded View"](#).

### 5. CHECK PASSENGER SEAT CONTROL UNIT OUTPUT

1. Connect passenger seat control unit connector.
2. Check voltage between passenger seat control unit harness connector and ground.

# POWER WALK-IN SWITCH

## < DTC/CIRCUIT DIAGNOSIS >

(+)		(-)	Voltage (V) (Approx.)
Passenger seat control unit			
Connector	Terminal	Ground	Battery voltage
B552	30		

Is the inspection result normal?

YES >> GO TO 6.

NO >> Replace passenger seat control unit. Refer to [SE-206, "Removal and Installation"](#).

## 6.CHECK INTERMITTENT INCIDENT

Check intermittent incident.

Refer to [GI-38, "Intermittent Incident"](#).

>> INSPECTION END

## PASSENGER SIDE : Component Inspection

INFOID:000000005657344

## 1.CHECK POWER WALK-IN SWITCH

1. Turn ignition switch OFF.
2. Disconnect power walk-in switch connector.
3. Check continuity between power walk-in switch terminals.

Power walk-in switch		Condition	Continuity
Terminal			
30	32	Power walk-in switch Pressed	Existed
		Released	Not existed

Is the inspection result normal?

YES >> INSPECTION END

NO >> Replace power walk-in switch. Refer to [SE-188, "Exploded View"](#).

# DOOR SWITCH

< DTC/CIRCUIT DIAGNOSIS >

## DOOR SWITCH

### Description

INFOID:000000005657345

Detects passenger side doors open or closed condition.

### Component Function Check

INFOID:000000005657346

#### 1. CHECK FUNCTION

Check that passenger side power walk-in function operates.

Is the inspection result normal?

- YES >> Door switch function is OK.
- NO >> Refer to [SE-77, "Diagnosis Procedure"](#).

### Diagnosis Procedure

INFOID:000000005657347

#### 1. CHECK PASSENGER SIDE DOOR SWITCH

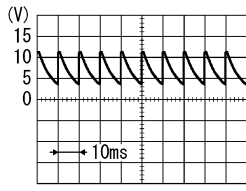
Check passenger side door switch.  
Refer to [SE-77, "Component Function Check"](#).

Is the inspection result normal?

- YES >> GO TO 2.
- NO >> Repair or replace the malfunctioning parts.

#### 2. CHECK PASSENGER SIDE DOOR SWITCH INPUT SIGNAL

1. Turn ignition switch OFF.
2. Check signal between passenger seat control unit harness connector and ground with oscilloscope.

(+)		(-)	Condition	Signal (Reference value)
Passenger seat control unit Connector	Terminal			
B552	8	Ground	Passenger side door switch	<div style="display: flex; justify-content: space-between;"> <div style="text-align: center;"> <p>Pressed</p>  </div> <div style="text-align: center;"> <p>Released</p> <p>0 V</p> </div> </div>

Is the inspection result normal?

- YES >> Passenger side door switch circuit is OK.
- NO >> GO TO 3.

#### 3. CHECK PASSENGER SIDE DOOR SWITCH CIRCUIT

1. Disconnect BCM connector, passenger seat control unit connector and passenger side door switch connector.
2. Check continuity between passenger side door switch harness connector and passenger seat control unit harness connector.

Passenger side door switch		Passenger seat control unit		Continuity
Connector	Terminal	Connector	Terminal	
B216	2	B552	8	Existed

3. Check continuity between passenger side door switch harness connector and ground.

# DOOR SWITCH

## < DTC/CIRCUIT DIAGNOSIS >

---

Passenger side door switch		Ground	Continuity
Connector	Terminal		
B216	2		Not existed

---

Is the inspection result normal?

YES >> GO TO 4.

NO >> Repair or replace harness.

### 4. CHECK INTERMITTENT INCIDENT

---

Check intermittent incident.

Refer to [GI-38, "Intermittent Incident"](#).

>> INSPECTION END

# SLIDING SENSOR

< DTC/CIRCUIT DIAGNOSIS >

## SLIDING SENSOR

### DRIVER SIDE

#### DRIVER SIDE : Description

INFOID:000000005657348

- The sliding sensor is installed on the seat slide cushion frame.
- The pulse signal is transmitted to the driver seat control unit when sliding is operated.
- The driver seat control unit counts the pulse and calculates the sliding amount of the seat.

#### DRIVER SIDE : Component Function Check

INFOID:000000005657349

### 1.CHECK FUNCTION

1. Turn ignition switch ON.
2. Select "SLIDE PULSE" in the "Data Monitor" mode using CONSULT-III.
3. Check sliding sensor signal under the following conditions.

Test item	Condition		Status
SLIDE PULSE	Seat sliding	Operate (forward)	Change (increase)*1
		Operate (backward)	Change (decrease)*1
		Release	No change*1

\*1: The value at the seat position attained when the battery is connected is considered to be 32768.

Is the indication normal?

- YES >> Sliding sensor function is OK.  
 NO >> Refer to [SE-79, "DRIVER SIDE : Diagnosis Procedure"](#).

#### DRIVER SIDE : Diagnosis Procedure

INFOID:000000005657350

### 1.CHECK SLIDING SENSOR SIGNAL

1. Turn ignition switch OFF.
2. Check signal between sliding sensor harness connector and ground with oscilloscope.

(+)		(-)	Condition	Signal (Reference value)
Sliding sensor				
Connector	Terminal			
B526	24	Ground	Seat sliding	
			Operate	
			Other than above	0 V or 5 V

Is the inspection result normal?

- YES >> GO TO 2.  
 NO >> GO TO 3.

### 2.CHECK SLIDING SENSOR CIRCUIT

1. Disconnect driver seat control unit connector and sliding sensor connector.
2. Check continuity between driver seat control unit harness connector and sliding sensor harness connector.

# SLIDING SENSOR

## < DTC/CIRCUIT DIAGNOSIS >

Driver seat control unit		Sliding sensor		Continuity
Connector	Terminal	Connector	Terminal	
B503	24	B526	24	Existed

3. Check continuity between driver seat control unit harness connector and ground.

Driver seat control unit		Ground	Continuity
Connector	Terminal		
B503	24		Not existed

Is the inspection result normal?

YES >> Replace driver seat control unit. Refer to [SE-205, "Removal and Installation"](#).

NO >> Repair or replace harness.

### 3.CHECK SLIDING SENSOR POWER SUPPLY

Check voltage between sliding sensor harness connector and ground.

(+)		(-)	Voltage (V) (Approx.)
Sliding sensor			
Connector	Terminal		
B526	16	Ground	Battery voltage

Is the inspection result normal?

YES >> GO TO 5.

NO >> GO TO 4.

### 4.CHECK SLIDING SENSOR POWER SUPPLY CIRCUIT

1. Disconnect driver seat control unit connector and sliding sensor connector.
2. Check continuity between driver seat control unit harness connector and sliding sensor harness connector.

Driver seat control unit		Sliding sensor		Continuity
Connector	Terminal	Connector	Terminal	
B503	16	B526	16	Existed

3. Check continuity between driver seat control unit harness connector and ground.

Driver seat control unit		Ground	Continuity
Connector	Terminal		
B503	16		Not existed

Is the inspection result normal?

YES >> Replace driver seat control unit. Refer to [SE-205, "Removal and Installation"](#).

NO >> Repair or replace harness.

### 5.CHECK SLIDING SENSOR GROUND CIRCUIT

1. Disconnect driver seat control unit connector and sliding sensor connector.
2. Check continuity between driver seat control unit harness connector and sliding sensor harness connector.

Driver seat control unit		Sliding sensor		Continuity
Connector	Terminal	Connector	Terminal	
B503	31	B526	31	Existed

3. Check continuity between driver seat control unit harness connector and ground.



# SLIDING SENSOR

## < DTC/CIRCUIT DIAGNOSIS >

Driver seat control unit		Ground	Continuity
Connector	Terminal		
B503	31		No existed

Is the inspection result normal?

- YES >> GO TO 6.  
 NO >> Repair or replace harness.

### 6.CHECK SLIDING SENSOR GROUND

1. Connect driver seat control unit connector.
2. Check continuity between driver seat control unit harness connector and ground.

Driver seat control unit		Ground	Continuity
Connector	Terminal		
B503	31		Existed

Is the inspection result normal?

- YES >> Replace sliding sensor. Refer to [SE-188, "Exploded View"](#).  
 NO >> Replace driver seat control unit. Refer to [SE-205, "Removal and Installation"](#).

## PASSENGER SIDE

### PASSENGER SIDE : Description

INFOID:0000000005657351

- The sliding sensor is installed on the seat slide cushion frame.
- The pulse signal is transmitted to the passenger seat control unit when sliding is operated.
- The passenger seat control unit counts the pulse and calculates the sliding amount of the seat.

### PASSENGER SIDE : Component Function Check

INFOID:0000000005657352

#### 1.CHECK FUNCTION

Check whether or not power walk-in function activates normally when power walk-in switch is pressed.

Is the indication normal?

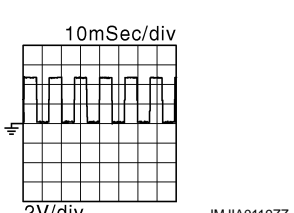
- YES >> Sliding sensor function is OK.  
 NO >> Refer to [SE-81, "PASSENGER SIDE : Diagnosis Procedure"](#).

### PASSENGER SIDE : Diagnosis Procedure

INFOID:0000000005657353

#### 1.CHECK SLIDING SENSOR SIGNAL

1. Turn ignition switch OFF.
2. Check signal between passenger seat control unit harness connector and ground with oscilloscope.

(+)		(-)	Condition	Signal (Reference value)
Passenger seat control unit Connector	Terminal			
B552	24	Ground	Seat sliding	
			Other than above	0 V or 5 V

Is the inspection result normal?

- YES >> Sliding sensor function is OK.

# SLIDING SENSOR

## < DTC/CIRCUIT DIAGNOSIS >

NO >> GO TO 2.

### 2. CHECK SLIDING SENSOR CIRCUIT

1. Disconnect passenger seat control unit connector and sliding sensor connector.
2. Check continuity between passenger seat control unit harness connector and sliding sensor harness connector.

Passenger seat control unit		Sliding sensor		Continuity
Connector	Terminal	Connector	Terminal	
B552	24	B568	24	Existed

3. Check continuity between passenger seat control unit harness connector and ground.

Passenger seat control unit		Ground	Continuity
Connector	Terminal		
B552	24		Not existed

Is the inspection result normal?

YES >> GO TO 3.

NO >> Repair or replace harness.

### 3. CHECK SLIDING SENSOR POWER SUPPLY

1. Connect passenger seat control unit connector.
2. Check voltage between sliding sensor harness connector and ground.

(+)		(-)	Voltage (V) (Approx.)
Sliding sensor			
Connector	Terminal		
B568	16	Ground	Battery voltage

Is the inspection result normal?

YES >> GO TO 5.

NO >> GO TO 4.

### 4. CHECK SLIDING SENSOR POWER SUPPLY CIRCUIT

1. Disconnect passenger seat control unit connector.
2. Check continuity between passenger seat control unit harness connector and sliding sensor harness connector.

Passenger seat control unit		Sliding sensor		Continuity
Connector	Terminal	Connector	Terminal	
B552	16	B568	16	Existed

3. Check continuity between passenger seat control unit harness connector and ground.

Passenger seat control unit		Ground	Continuity
Connector	Terminal		
B552	16		Not existed

Is the inspection result normal?

YES >> Replace passenger seat control unit. Refer to [SE-206. "Removal and Installation"](#).

NO >> Repair or replace harness.

### 5. CHECK SLIDING SENSOR GROUND CIRCUIT

1. Disconnect passenger seat control unit connector.
2. Check continuity between passenger seat control unit harness connector and sliding sensor harness connector.

# SLIDING SENSOR

## < DTC/CIRCUIT DIAGNOSIS >

Passenger seat control unit		Sliding sensor		Continuity
Connector	Terminal	Connector	Terminal	
B552	31	B568	31	Existed

3. Check continuity between passenger seat control unit harness connector and ground.

Passenger seat control unit		Ground	Continuity
Connector	Terminal		
B552	31		Not existed

Is the inspection result normal?

YES >> GO TO 6.

NO >> Repair or replace harness.

### 6. CHECK SLIDING SENSOR GROUND

1. Connect passenger seat control unit connector.
2. Check continuity between passenger seat control unit harness connector and ground.

Passenger seat control unit		Ground	Continuity
Connector	Terminal		
B552	31		Existed

Is the inspection result normal?

YES >> Replace sliding sensor. Refer to [SE-188, "Exploded View"](#).

NO >> Replace passenger seat control unit. Refer to [SE-206, "Removal and Installation"](#).

A  
B  
C  
D  
E  
F  
G  
H  
I  
K  
L  
M  
N  
O  
P

SE

# SLIDING MOTOR

< DTC/CIRCUIT DIAGNOSIS >

## SLIDING MOTOR

### DRIVER SIDE

#### DRIVER SIDE : Description

INFOID:000000005657354

- The seat sliding motor is installed to the seat cushion frame.
- The seat sliding motor is activated with the driver seat control unit.
- The seat is slid forward/backward by changing the rotation direction of sliding motor.

#### DRIVER SIDE : Component Function Check

INFOID:000000005657355

### 1.CHECK FUNCTION

1. Turn ignition switch ON.
2. Select "SEAT SLIDE" in the "Active Test" mode using CONSULT-III.
3. Check sliding motor operation.

Test item		Description	
SEAT SLIDE	OFF	Seat sliding	Stop
	FR		Forward
	RR		Backward

Is the operation of relevant parts normal?

- YES >> Sliding motor function is OK.  
 NO >> Refer to [SE-84, "DRIVER SIDE : Diagnosis Procedure"](#).

#### DRIVER SIDE : Diagnosis Procedure

INFOID:000000005657356

### 1.CHECK SLIDING MOTOR POWER SUPPLY

1. Turn ignition switch OFF.
2. Disconnect sliding motor connector.
3. Check voltage between sliding motor harness connector and ground.

(+)		(-)	Condition	Voltage (V) (Approx.)			
Sliding motor							
Connector	Terminal	Ground	Slide switch	Forward	Battery voltage		
B525	35			Ground	Slide switch	Other than above	0
	42					Backward	Battery voltage
						Other than above	0

Is the inspection result normal?

- YES >> GO TO 3.  
 NO >> GO TO 2.

### 2.CHECK SLIDING MOTOR CIRCUIT

1. Disconnect driver seat control unit connector.
2. Check continuity between sliding motor harness connector and driver seat control unit harness connector.

Sliding motor		Driver seat control unit		Continuity
Connector	Terminal	Connector	Terminal	
B525	35	B504	35	Existed
	42		42	

3. Check continuity between driver seat control unit harness connector and ground.

# SLIDING MOTOR

## < DTC/CIRCUIT DIAGNOSIS >

Driver seat control unit		Ground	Continuity
Connector	Terminal		
B504	35		Not existed
	42		

Is the inspection result normal?

- YES >> Replace driver seat control unit. Refer to [SE-205, "Removal and Installation"](#).  
NO >> Repair or replace harness.

### 3.CHECK SLIDING MOTOR

Check sliding motor.

Refer to [SE-85, "DRIVER SIDE : Component Inspection"](#).

Is the inspection result normal?

- YES >> GO TO 4.  
NO >> Replace sliding motor. Refer to [SE-188, "Exploded View"](#).

### 4.CHECK INTERMITTENT INCIDENT

Check intermittent incident.

Refer to [GI-38, "Intermittent Incident"](#).

>> INSPECTION END

## DRIVER SIDE : Component Inspection

INFOID:000000005657357

### 1.CHECK SLIDING MOTOR-1

Visually check the sliding motor for foreign objects, and check that the sliding motor is not broken.

Is the inspection result normal?

- YES >> GO TO 2.  
NO >> Repair or replace seat cushion frame (sliding motor).

### 2.CHECK SLIDING MOTOR-2

1. Turn ignition switch OFF.
2. Disconnect sliding motor connector.
3. Supply sliding motor terminals with battery voltage and check operation.

Item	Terminal		Operation
	(+)	(-)	
Sliding motor	35	42	Forward
	42	35	Backward

Is the inspection result normal?

- YES >> INSPECTION END  
NO >> Replace sliding motor. Refer to [SE-188, "Exploded View"](#).

## PASSENGER SIDE

### PASSENGER SIDE : Description

INFOID:000000005657358

- The seat sliding motor is installed to the seat cushion frame.
- The seat sliding motor is activated with the passenger seat control unit.
- The seat is slid forward/backward by changing the rotation direction of sliding motor.

### PASSENGER SIDE : Component Function Check

INFOID:000000005657359

#### 1.CHECK SLIDING MOTOR CIRCUIT

Check sliding operation with power seat switch.

Is the inspection result normal?

# SLIDING MOTOR

## < DTC/CIRCUIT DIAGNOSIS >

- YES >> Sliding motor function is OK.  
 NO >> Refer to [SE-86, "PASSENGER SIDE : Diagnosis Procedure"](#).

## PASSENGER SIDE : Diagnosis Procedure

INFOID:000000005657360

### 1. CHECK SLIDING MOTOR POWER SUPPLY

1. Turn ignition switch OFF.
2. Disconnect sliding motor connector.
3. Check voltage between sliding motor harness connector and ground.

(+)		(-)	Condition	Voltage (V) (Approx.)	
Sliding motor					
Connector	Terminal	Ground	Slide switch	Forward	
B567	35			Other than above	Battery voltage
	42			Backward	0
Other than above				Battery voltage	
			0		

Is the inspection result normal?

- YES >> GO TO 3.  
 NO >> GO TO 2.

### 2. CHECK SLIDING MOTOR CIRCUIT

1. Disconnect passenger seat control unit connector.
2. Check continuity between sliding motor harness connector and passenger seat control unit harness connector.

Sliding motor		Passenger seat control unit		Continuity
Connector	Terminal	Connector	Terminal	
B567	35	B553	35	Existed
	42		42	

3. Check continuity between passenger seat control unit harness connector and ground.

Passenger seat control unit		Ground	Continuity
Connector	Terminal		
B553	35		Not existed
	42		

Is the inspection result normal?

- YES >> Replace passenger seat control unit. Refer to [SE-206, "Removal and Installation"](#).  
 NO >> Repair or replace harness.

### 3. CHECK SLIDING MOTOR

Check sliding motor.

Refer to [SE-87, "PASSENGER SIDE : Component Inspection"](#).

Is the inspection result normal?

- YES >> GO TO 4.  
 NO >> Replace sliding motor. Refer to [SE-188, "Exploded View"](#).

### 4. CHECK INTERMITTENT INCIDENT

Check intermittent incident.

Refer to [GI-38, "Intermittent Incident"](#).

>> INSPECTION END

# SLIDING MOTOR

< DTC/CIRCUIT DIAGNOSIS >

## PASSENGER SIDE : Component Inspection

INFOID:000000005657361

### 1.CHECK SLIDING MOTOR-1

Visually check the sliding motor for foreign objects, and check that the sliding motor is not broken.

Is the inspection result normal?

YES >> GO TO 2.

NO >> Repair or replace seat cushion frame (sliding motor).

### 2.CHECK SLIDING MOTOR-2

1. Turn ignition switch OFF.
2. Disconnect sliding motor connector.
3. Supply sliding motor terminals with battery voltage and check operation.

Item	Terminal		Operation
	(+)	(-)	
Sliding motor	35	42	Forward
	42	35	Backward

Is the inspection result normal?

YES >> INSPECTION END

NO >> Replace sliding motor. Refer to [SE-188. "Exploded View"](#).

A  
B  
C  
D  
E  
F  
G  
H  
I  
K  
L  
M  
N  
O  
P

SE

# RECLINING MOTOR

< DTC/CIRCUIT DIAGNOSIS >

## RECLINING MOTOR DRIVER SIDE

### DRIVER SIDE : Description

INFOID:000000005657362

- The seat reclining motor is installed to the seatback frame.
- The seat reclining motor is activated with the driver seat control unit.
- The seatback is reclined forward/backward by changing the rotation direction of reclining motor.

### DRIVER SIDE : Component Function Check

INFOID:000000005657363

#### 1. CHECK RECLINING MOTOR FUNCTION

Check reclining operation with power seat switch.

Is the inspection result normal?

- YES >> Reclining motor function is OK.  
 NO >> Refer to [SE-88, "DRIVER SIDE : Diagnosis Procedure"](#).

### DRIVER SIDE : Diagnosis Procedure

INFOID:000000005657364

#### 1. CHECK RECLINING MOTOR POWER SUPPLY

1. Turn ignition switch OFF.
2. Disconnect reclining motor connector.
3. Check voltage between reclining motor harness connector and ground.

(+)		(-)	Condition	Voltage (V) (Approx.)	
Reclining motor					
Connector	Terminal				
B524	36	Ground	Reclining switch	Forward	Battery voltage
				Other than above	0
	44			Backward	Battery voltage
				Other than above	0

Is the inspection result normal?

- YES >> GO TO 3.  
 NO >> GO TO 2.

#### 2. CHECK RECLINING MOTOR CIRCUIT

1. Disconnect driver seat control unit connector.
2. Check continuity between reclining motor harness connector and driver seat control unit harness connector.

Reclining motor		Driver seat control unit		Continuity
Connector	Terminal	Connector	Terminal	
B524	36	B504	36	Existed
	44		44	

3. Check continuity between reclining motor harness connector and ground.

Reclining motor		Ground	Continuity
Connector	Terminal		
B524	36		Not existed
	44		

Is the inspection result normal?

- YES >> Replace driver seat control unit. Refer to [SE-205, "Removal and Installation"](#).  
 NO >> Repair or replace harness.



# RECLINING MOTOR

< DTC/CIRCUIT DIAGNOSIS >

## 3.CHECK RECLINING MOTOR

Check reclining motor.

Refer to [SE-89, "DRIVER SIDE : Component Inspection"](#).

Is the inspection result normal?

YES >> GO TO 4.

NO >> Replace reclining motor. Refer to [SE-188, "Exploded View"](#).

## 4.CHECK INTERMITTENT INCIDENT

Check intermittent incident.

Refer to [GI-38, "Intermittent Incident"](#).

>> INSPECTION END

## DRIVER SIDE : Component Inspection

INFOID:0000000005657365

### 1.CHECK RECLINING MOTOR-1

Visually check the sliding motor for foreign objects, and check that the reclining motor is not broken.

Is the inspection result normal?

YES >> GO TO 2.

NO >> Repair or replace seatback frame (reclining motor).

### 2.CHECK RECLINING MOTOR-2

1. Turn ignition switch OFF.
2. Disconnect reclining motor connector.
3. Supply reclining motor terminals with battery voltage and check operation.

Item	Terminal		Operation
	(+)	(-)	
Reclining motor	36	44	Forward
	44	36	Backward

Is the inspection result normal?

YES >> INSPECTION END

NO >> Replace reclining motor. Refer to [SE-188, "Exploded View"](#).

## PASSENGER SIDE

### PASSENGER SIDE : Description

INFOID:0000000005657366

- The seat reclining motor is installed to the seatback frame.
- The seat reclining motor is activated with the passenger seat control unit.
- The seatback is reclined forward/backward by changing the rotation direction of reclining motor.

### PASSENGER SIDE : Component Function Check

INFOID:0000000005657367

#### 1.CHECK RECLINING MOTOR FUNCTION

Check reclining operation with power seat switch.

Is the inspection result normal?

YES >> Reclining motor function is OK.

NO >> Refer to [SE-89, "PASSENGER SIDE : Diagnosis Procedure"](#).

### PASSENGER SIDE : Diagnosis Procedure

INFOID:0000000005657368

#### 1.CHECK RECLINING MOTOR POWER SUPPLY

1. Turn ignition switch OFF.
2. Disconnect reclining motor connector.
3. Check voltage between reclining motor harness connector and ground.

# RECLINING MOTOR

## < DTC/CIRCUIT DIAGNOSIS >

(+)		(-)	Condition	Voltage (V) (Approx.)	
Reclining motor					
Connector	Terminal				
B566	36	Ground	Reclining switch	Forward	Battery voltage
				Other than above	0
	44			Backward	Battery voltage
				Other than above	0

Is the inspection result normal?

YES >> GO TO 3.

NO >> GO TO 2.

## 2.CHECK RECLINING MOTOR CIRCUIT

1. Disconnect passenger seat control unit connector.
2. Check continuity between reclining motor harness connector and passenger seat control unit harness connector.

Reclining motor		Passenger seat control unit		Continuity
Connector	Terminal	Connector	Terminal	
B566	36	B553	36	Existed
	44		44	

3. Check continuity between reclining motor harness connector and ground.

Reclining motor		Ground	Continuity
Connector	Terminal		
B566	36		Not existed
	44		

Is the inspection result normal?

YES >> Replace passenger seat control unit. Refer to [SE-206. "Removal and Installation"](#).

NO >> Repair or replace harness.

## 3.CHECK RECLINING MOTOR

Check reclining motor.

Refer to [SE-90. "PASSENGER SIDE : Component Inspection"](#).

Is the inspection result normal?

YES >> GO TO 4.

NO >> Replace reclining motor. Refer to [SE-188. "Exploded View"](#).

## 4.CHECK INTERMITTENT INCIDENT

Check intermittent incident.

Refer to [GI-38. "Intermittent Incident"](#).

>> INSPECTION END

## PASSENGER SIDE : Component Inspection

INFOID:000000005657369

### 1.CHECK RECLINING MOTOR-1

Visually check the sliding motor for foreign objects, and check that the reclining motor is not broken.

Is the inspection result normal?

YES >> GO TO 2.

NO >> Repair or replace seatback frame (reclining motor).

### 2.CHECK RECLINING MOTOR-2

# RECLINING MOTOR

## < DTC/CIRCUIT DIAGNOSIS >

1. Turn ignition switch OFF.
2. Disconnect reclining motor connector.
3. Supply reclining motor terminals with battery voltage and check operation.

Item	Terminal		Operation
	(+)	(-)	
Reclining motor	36	44	Forward
	44	36	Backward

Is the inspection result normal?

YES >> INSPECTION END

NO >> Replace reclining motor. Refer to [SE-188. "Exploded View"](#).

A  
B  
C  
D  
E  
F  
G  
H  
I  
K  
L  
M  
N  
O  
P

SE

# LIFTING MOTOR (FRONT)

< DTC/CIRCUIT DIAGNOSIS >

## LIFTING MOTOR (FRONT)

### DRIVER SIDE

#### DRIVER SIDE : Description

INFOID:000000005657370

- The lifting motor (front) is installed to the seat slide cushion frame.
- The lifting motor (front) is activated with the driver seat control unit.
- The lifter (front) is moved upward/downward by changing the rotation direction of lifting motor (front).

#### DRIVER SIDE : Component Function Check

INFOID:000000005657371

### 1.CHECK LIFTING MOTOR (FRONT) FUNCTION

Check lifting operation with power seat switch.

Is the inspection result normal?

- YES >> Lifting motor (front) function is OK.  
NO >> Refer to [SE-92, "DRIVER SIDE : Diagnosis Procedure"](#).

#### DRIVER SIDE : Diagnosis Procedure

INFOID:000000005657372

### 1.CHECK LIFTING MOTOR (FRONT) POWER SUPPLY

1. Turn ignition switch OFF.
2. Disconnect lifting motor (front) connector.
3. Check voltage between lifting motor (front) harness connector and ground.

(+)		(-)	Condition	Voltage (V) (Approx.)
Lifting motor (front)				
Connector	Terminal			
B528	37	Ground	Downward	Battery voltage
			Other than above	0
	45		Upward	Battery voltage
			Other than above	0

Is the inspection result normal?

- YES >> GO TO 3.  
NO >> GO TO 2.

### 2.CHECK LIFTING MOTOR (FRONT) CIRCUIT

1. Disconnect driver seat control unit connector.
2. Check continuity between lifting motor (front) harness connector and driver seat control unit harness connector.

Lifting motor (front)		Driver seat control unit		Continuity
Connector	Terminal	Connector	Terminal	
B528	37	B504	37	Existed
	45		45	

3. Check continuity between lifting motor (front) harness connector and ground.

Lifting motor (front)		Ground	Continuity
Connector	Terminal		
B528	37		Not existed
	45		

Is the inspection result normal?

- YES >> Replace driver seat control unit. Refer to [SE-205, "Removal and Installation"](#).  
NO >> Repair or replace harness.

# LIFTING MOTOR (FRONT)

< DTC/CIRCUIT DIAGNOSIS >

## 3.CHECK LIFTING MOTOR (FRONT)

Check lifting motor (front).

Refer to [SE-93, "DRIVER SIDE : Component Inspection"](#).

Is the inspection result normal?

YES >> GO TO 4.

NO >> Replace lifting motor (front). Refer to [SE-188, "Exploded View"](#).

## 4.CHECK INTERMITTENT INCIDENT

Check intermittent incident.

Refer to [GI-38, "Intermittent Incident"](#).

>> INSPECTION END

## DRIVER SIDE : Component Inspection

INFOID:0000000005657373

### 1.CHECK LIFTING MOTOR (FRONT) -1

Visually check the lifting motor (front) for foreign objects, and check that the lifting motor (front) is not broken.

Is the inspection result normal?

YES >> GO TO 2.

NO >> Repair or replace seat cushion frame (lifting motor).

### 2.CHECK LIFTING MOTOR (FRONT) -2

1. Turn ignition switch OFF.
2. Disconnect lifting motor (front) connector.
3. Supply lifting motor (front) terminals with battery voltage and check operation.

Item	Terminal		Operation
	(+)	(-)	
Lifting motor (front)	37	45	Downward
	45	37	Upward

Is the inspection result normal?

YES >> INSPECTION END

NO >> Replace lifting motor (front). Refer to [SE-188, "Exploded View"](#).

## PASSENGER SIDE

### PASSENGER SIDE : Description

INFOID:0000000005657374

- The lifting motor (front) is installed to the seat slide cushion frame.
- The lifting motor (front) is activated with the passenger seat control unit.
- The lifter (front) is moved upward/downward by changing the rotation direction of lifting motor (front).

### PASSENGER SIDE : Component Function Check

INFOID:0000000005657375

#### 1.CHECK LIFTING MOTOR (FRONT) FUNCTION

Check lifting operation with power seat switch.

Is the inspection result normal?

YES >> Lifting motor (front) function is OK.

NO >> Refer to [SE-93, "PASSENGER SIDE : Diagnosis Procedure"](#).

### PASSENGER SIDE : Diagnosis Procedure

INFOID:0000000005657376

#### 1.CHECK LIFTING MOTOR (FRONT) POWER SUPPLY

1. Turn ignition switch OFF.
2. Disconnect lifting motor (front) connector.
3. Check voltage between lifting motor (front) harness connector and ground.

# LIFTING MOTOR (FRONT)

## < DTC/CIRCUIT DIAGNOSIS >

(+)		(-)	Condition	Voltage (V) (Approx.)	
Lifting motor (front)					
Connector	Terminal				
B569	37	Ground	Lifting switch (front)	Downward	Battery voltage
				Other than above	0
	45			Upward	Battery voltage
				Other than above	0

### Is the inspection result normal?

YES >> GO TO 3.

NO >> GO TO 2.

## 2.CHECK LIFTING MOTOR (FRONT) CIRCUIT

1. Disconnect passenger seat control unit connector.
2. Check continuity between lifting motor (front) harness connector and passenger seat control unit harness connector.

Lifting motor (front)		Passenger seat control unit		Continuity
Connector	Terminal	Connector	Terminal	
B569	37	B553	37	Existed
	45		45	

3. Check continuity between lifting motor (front) harness connector and ground.

Lifting motor (front)		Ground	Continuity
Connector	Terminal		
B569	37		Not existed
	45		

### Is the inspection result normal?

YES >> Replace passenger seat control unit. Refer to [SE-206. "Removal and Installation"](#).

NO >> Repair or replace harness.

## 3.CHECK LIFTING MOTOR (FRONT)

Check lifting motor (front).

Refer to [SE-94. "PASSENGER SIDE : Component Inspection"](#).

### Is the inspection result normal?

YES >> GO TO 4.

NO >> Replace lifting motor (front). Refer to [SE-188. "Exploded View"](#).

## 4.CHECK INTERMITTENT INCIDENT

Check intermittent incident.

Refer to [GI-38. "Intermittent Incident"](#).

>> INSPECTION END

## PASSENGER SIDE : Component Inspection

INFOID:000000005657377

### 1.CHECK LIFTING MOTOR (FRONT) -1

Visually check the lifting motor (front) for foreign objects, and check that the lifting motor (front) is not broken.

#### Is the inspection result normal?

YES >> GO TO 2.

NO >> Repair or replace seat cushion frame (lifting motor).

### 2.CHECK LIFTING MOTOR (FRONT) -2

# LIFTING MOTOR (FRONT)

## < DTC/CIRCUIT DIAGNOSIS >

1. Turn ignition switch OFF.
2. Disconnect lifting motor (front) connector.
3. Supply lifting motor (front) terminals with battery voltage and check operation.

Item	Terminal		Operation
	(+)	(-)	
Lifting motor (front)	37	45	Downward
	45	37	Upward

Is the inspection result normal?

YES >> INSPECTION END

NO >> Replace lifting motor (front). Refer to [SE-188. "Exploded View"](#).

A  
B  
C  
D  
E  
F  
G  
H  
I  
K  
L  
M  
N  
O  
P

SE

# LIFTING MOTOR (REAR)

< DTC/CIRCUIT DIAGNOSIS >

## LIFTING MOTOR (REAR)

### DRIVER SIDE

#### DRIVER SIDE : Description

INFOID:000000005657378

- The lifting motor (rear) is installed to the seat slide cushion frame.
- The lifting motor (rear) is activated with the driver seat control unit.
- The seat lifter (rear) is moved upward/downward by changing the rotation direction of lifting motor (rear).

#### DRIVER SIDE : Component Function Check

INFOID:000000005657379

### 1.CHECK LIFTING MOTOR (REAR) FUNCTION

Check lifting operation with power seat switch.

Is the inspection result normal?

- YES >> Lifting motor (rear) function is OK.  
 NO >> Refer to [SE-96, "DRIVER SIDE : Diagnosis Procedure"](#).

#### DRIVER SIDE : Diagnosis Procedure

INFOID:000000005657380

### 1.CHECK LIFTING MOTOR (REAR) POWER SUPPLY

1. Turn ignition switch OFF.
2. Disconnect lifting motor (rear) connector.
3. Check voltage between lifting motor (rear) harness connector and ground.

(+)		(-)	Condition	Voltage (V) (Approx.)	
Lifting motor (rear)					
Connector	Terminal				
B530	38	Ground	Lifting switch (rear)	Upward	Battery voltage
				Other than above	0
	39			Downward	Battery voltage
				Other than above	0

Is the inspection result normal?

- YES >> GO TO 3.  
 NO >> GO TO 2.

### 2.CHECK LIFTING MOTOR (REAR) CIRCUIT

1. Disconnect driver seat control unit connector.
2. Check continuity between lifting motor (rear) harness connector and driver seat control unit harness connector.

Lifting motor (rear)		Driver seat control unit		Continuity
Connector	Terminal	Connector	Terminal	
B530	38	B504	38	Existed
	39		39	

3. Check continuity between lifting motor (rear) harness connector and ground.

Lifting motor (rear)		Ground	Continuity
Connector	Terminal		
B530	38		Not existed
	39		

Is the inspection result normal?

- YES >> Replace driver seat control unit. Refer to [SE-205, "Removal and Installation"](#).  
 NO >> Repair or replace harness.



# LIFTING MOTOR (REAR)

< DTC/CIRCUIT DIAGNOSIS >

## 3.CHECK LIFTING MOTOR (REAR)

Check lifting motor (rear).

Refer to [SE-97, "DRIVER SIDE : Component Inspection"](#).

Is the inspection result normal?

YES >> GO TO 4.

NO >> Replace lifting motor (rear). Refer to [SE-188, "Exploded View"](#).

## 4.CHECK INTERMITTENT INCIDENT

Check intermittent incident.

Refer to [GI-38, "Intermittent Incident"](#).

>> INSPECTION END

## DRIVER SIDE : Component Inspection

INFOID:0000000005657381

### 1.CHECK LIFTING MOTOR (REAR) -1

Visually check the lifting motor (rear) for foreign objects, and check that the lifting motor (rear) is not broken.

Is the inspection result normal?

YES >> GO TO 2.

NO >> Repair or replace seat cushion frame (lifting motor).

### 2.CHECK LIFTING MOTOR (REAR) -2

1. Turn ignition switch OFF.
2. Disconnect lifting motor (rear) connector.
3. Supply lifting motor (rear) terminals with battery voltage and check operation.

Item	Terminal		Operation
	(+)	(-)	
Lifting motor (rear)	38	39	Upward
	39	38	Downward

Is the inspection result normal?

YES >> INSPECTION END

NO >> Replace lifting motor (rear).

## PASSENGER SIDE

### PASSENGER SIDE : Description

INFOID:0000000005657382

- The lifting motor (rear) is installed to the seat slide cushion frame.
- The lifting motor (rear) is activated with the passenger seat control unit.
- The seat lifter (rear) is moved upward/downward by changing the rotation direction of lifting motor (rear).

### PASSENGER SIDE : Component Function Check

INFOID:0000000005657383

#### 1.CHECK LIFTING MOTOR (REAR) FUNCTION

Check lifting operation with power seat switch.

Is the inspection result normal?

YES >> Lifting motor (rear) function is OK.

NO >> Refer to [SE-97, "PASSENGER SIDE : Diagnosis Procedure"](#).

### PASSENGER SIDE : Diagnosis Procedure

INFOID:0000000005657384

#### 1.CHECK LIFTING MOTOR (REAR) POWER SUPPLY

1. Turn ignition switch OFF.
2. Disconnect lifting motor (rear) connector.
3. Check voltage between lifting motor (rear) harness connector and ground.

## LIFTING MOTOR (REAR)

### < DTC/CIRCUIT DIAGNOSIS >

(+)		(-)	Condition	Voltage (V) (Approx.)	
Lifting motor (rear)					
Connector	Terminal				
B570	38	Ground	Lifting switch (rear)	Upward	Battery voltage
				Other than above	0
	39			Downward	Battery voltage
				Other than above	0

Is the inspection result normal?

- YES >> GO TO 3.  
NO >> GO TO 2.

### 2.CHECK LIFTING MOTOR (REAR) CIRCUIT

1. Disconnect passenger seat control unit connector.
2. Check continuity between lifting motor (rear) harness connector and passenger seat control unit harness connector.

Lifting motor (rear)		Passenger seat control unit		Continuity
Connector	Terminal	Connector	Terminal	
B570	38	B553	38	Existed
	39		39	

3. Check continuity between lifting motor (rear) unit harness connector and ground.

Lifting motor (rear)		Ground	Continuity
Connector	Terminal		
B570	38		Not existed
	39		

Is the inspection result normal?

- YES >> Replace passenger seat control unit. Refer to [SE-206. "Removal and Installation"](#).  
NO >> Repair or replace harness.

### 3.CHECK LIFTING MOTOR (REAR)

Check lifting motor (rear).

Refer to [SE-98. "PASSENGER SIDE : Component Inspection"](#).

Is the inspection result normal?

- YES >> GO TO 4.  
NO >> Replace lifting motor (rear). Refer to [SE-188. "Exploded View"](#).

### 4.CHECK INTERMITTENT INCIDENT

Check intermittent incident.

Refer to [GI-38. "Intermittent Incident"](#).

>> INSPECTION END

## PASSENGER SIDE : Component Inspection

INFOID:000000005657385

### 1.CHECK LIFTING MOTOR (REAR) -1

Visually check the lifting motor (rear) for foreign objects, and check that the lifting motor (rear) is not broken.

Is the inspection result normal?

- YES >> GO TO 2.  
NO >> Repair or replace seat cushion frame (lifting motor).

### 2.CHECK LIFTING MOTOR (REAR) -2

## LIFTING MOTOR (REAR)

### < DTC/CIRCUIT DIAGNOSIS >

1. Turn ignition switch OFF.
2. Disconnect lifting motor (rear) connector.
3. Supply lifting motor (rear) terminals with battery voltage and check operation.

Item	Terminal		Operation
	(+)	(-)	
Lifting motor (rear)	38	39	Up
	39	38	Down

### Is the inspection result normal?

YES >> INSPECTION END

NO >> Replace lifting motor (rear). Refer to [SE-188. "Exploded View"](#).

A  
B  
C  
D  
E  
F  
G  
H  
I  
K  
L  
M  
N  
O  
P

SE

# HEATED SEAT SWITCH

< DTC/CIRCUIT DIAGNOSIS >

## HEATED SEAT SWITCH DRIVER SIDE

### DRIVER SIDE : Description

INFOID:000000005657386

Adjusts heated seat temperature and deactivates heated seat.

### DRIVER SIDE : Component Function Check

INFOID:000000005657387

#### 1. CHECK FUNCTION

Check that heated seat warms to preset temperature when operating heated seat switch to the optimal position.

Is the inspection result normal?

YES >> Heated seat switch function is OK.

NO >> Refer to [SE-100, "DRIVER SIDE : Diagnosis Procedure"](#).

### DRIVER SIDE : Diagnosis Procedure

INFOID:000000005657388

#### 1. CHECK HEATED SEAT CONTROL UNIT INPUT SIGNAL

1. Turn ignition switch OFF.
2. Disconnect heated seat control unit connector.
3. Turn ignition switch ON.
4. Check voltage between heated seat control unit harness connector and ground.

(+)		(-)	Condition	Voltage (V) (Approx.)	
Heated seat control unit					
Connector	Terminal				
B518	67	Ground	Heated seat switch position	OFF	0
				1 (Min. temperature)	12.24
				2	12.33
				3	12.49
				4	12.63
				5	12.76
				6 (Max. temperature)	12.90

Is the inspection result normal?

YES >> Heated seat switch circuit is OK.

NO >> GO TO 2.

#### 2. CHECK HEATED SEAT SWITCH CIRCUIT

1. Turn ignition switch OFF.
2. Disconnect heated seat switch connector.
3. Check continuity between heated seat switch harness connector and heated seat control unit harness connector.

Heated seat switch		Heated seat control unit		Continuity
Connector	Terminal	Connector	Terminal	
A/T models: M141 M/T models: M175	2	B518	67	Existed

4. Check continuity between heated seat switch harness connector and ground.

# HEATED SEAT SWITCH

## < DTC/CIRCUIT DIAGNOSIS >

Heated seat switch		Ground	Continuity
Connector	Terminal		
A/T models: M141 M/T models: M175	2		Not existed

Is the inspection result normal?

- YES >> GO TO 3.  
NO >> Repair or replace harness.

### 3.CHECK HEATED SEAT SWITCH

Check heated seat switch.

Refer to [SE-101, "DRIVER SIDE : Component Inspection"](#).

Is the inspection result normal?

- YES >> GO TO 4.  
NO >> Replace heated seat switch. Refer to [SE-213, "Removal and Installation"](#).

### 4.CHECK INTERMITTENT INCIDENT

Check intermittent incident.

Refer to [GI-38, "Intermittent Incident"](#).

>> INSPECTION END

## DRIVER SIDE : Component Inspection

INFOID:000000005657389

### 1.CHECK FRONT HEATED SEAT SWITCH

1. Turn ignition switch OFF.
2. Disconnect heated seat switch connector.
3. Check resistance between heated seat switch terminals.

Heated seat switch		Condition	Resistance (KΩ) (Approx.)	
Connector	Terminal			
A/T models: M141 M/T models: M175	5	1	ON OFF	0 ∞
		2	Heated seat switch position	1 (Min. temperature) 2 3 4 5 6 (Max. temperature)

Is the inspection result normal?

- YES >> INSPECTION END  
NO >> Replace heated seat switch. Refer to [SE-213, "Removal and Installation"](#).

## PASSENGER SIDE

### PASSENGER SIDE : Description

INFOID:000000005657390

Adjusts heated seat temperature and deactivates heated seat.

### PASSENGER SIDE : Component Function Check

INFOID:000000005657391

### 1.CHECK FUNCTION

Check that heated seat warms to preset temperature when operating heated seat switch to the optimal position.

# HEATED SEAT SWITCH

## < DTC/CIRCUIT DIAGNOSIS >

### Is the inspection result normal?

- YES >> Heated seat switch function is OK.  
 NO >> Refer to [SE-102. "PASSENGER SIDE : Diagnosis Procedure"](#).

## PASSENGER SIDE : Diagnosis Procedure

INFOID:000000005657392

### 1. CHECK HEATED SEAT CONTROL UNIT INPUT SIGNAL

1. Turn ignition switch OFF.
2. Disconnect heated seat control unit connector.
3. Turn ignition switch ON.
4. Check voltage between heated seat control unit harness connector and ground.

(+)		(-)	Condition	Voltage (V) (Approx.)	
Heated seat control unit					
Connector	Terminal				
B575	67	Ground	Heated seat switch position	OFF	0
				1 (Min. temperature)	12.24
				2	12.33
				3	12.49
				4	12.63
				5	12.76
				6 (Max. temperature)	12.90

### Is the inspection result normal?

- YES >> Heated seat switch circuit is OK.  
 NO >> GO TO 2.

### 2. CHECK HEATED SEAT SWITCH CIRCUIT

1. Turn ignition switch OFF.
2. Disconnect heated seat switch connector.
3. Check continuity between heated seat switch harness connector and heated seat control unit harness connector.

Heated seat switch		Heated seat control unit		Continuity
Connector	Terminal	Connector	Terminal	
A/T models: M142 M/T models: M176	2	B575	67	Existed

4. Check continuity between heated seat switch harness connector and ground.

Heated seat switch		Ground	Continuity
Connector	Terminal		
A/T models: M142 M/T models: M176	2		Not existed

### Is the inspection result normal?

- YES >> GO TO 3.  
 NO >> Repair or replace harness.

### 3. CHECK HEATED SEAT SWITCH

Check heated seat switch.  
 Refer to [SE-103. "PASSENGER SIDE : Component Inspection"](#).

### Is the inspection result normal?

- YES >> GO TO 4.  
 NO >> Replace heated seat switch. Refer to [SE-213. "Removal and Installation"](#).

### 4. CHECK INTERMITTENT INCIDENT

# HEATED SEAT SWITCH

## < DTC/CIRCUIT DIAGNOSIS >

Check intermittent incident.  
Refer to [GI-38, "Intermittent Incident"](#).

>> INSPECTION END

## PASSENGER SIDE : Component Inspection

INFOID:000000005657393

### 1. CHECK FRONT HEATED SEAT SWITCH

1. Turn ignition switch OFF.
2. Disconnect heated seat switch connector.
3. Check resistance between heated seat switch terminals.

Heated seat switch		Condition	Resistance (K $\Omega$ ) (Approx.)	
Connector	Terminal			
A/T models: M142 M/T models: M176	5	1	ON OFF	0 $\infty$
		2	1 (Min. temperature)	2.400
	2		1.800	
	3		1.200	
	4		0.910	
	5		0.620	
	6 (Max. temperature)		0.348	

Is the inspection result normal?

YES >> INSPECTION END

NO >> Replace heated seat switch. Refer to [SE-213, "Removal and Installation"](#).

A  
B  
C  
D  
E  
F  
G  
H  
I  
K  
L  
M  
N  
O  
P

SE

# HEATED SEAT RELAY

< DTC/CIRCUIT DIAGNOSIS >

## HEATED SEAT RELAY

### Description

INFOID:000000005657394

Power is supplied to the heated seat using ignition power supply control.

### Component Function Check

INFOID:000000005657395

#### 1. CHECK FUNCTION

Check that heated seat warms to preset temperature when operating heated seat switch to the optimal position.

Is the inspection result normal?

- YES >> Heated seat relay function is OK.
- NO >> Refer to [SE-104, "Diagnosis Procedure"](#)

### Diagnosis Procedure

INFOID:000000005657396

#### 1. CHECK HEATED SEAT RELAY POWER SUPPLY

1. Turn ignition switch OFF.
2. Disconnect heated seat relay.
3. Turn ignition switch ON.
4. Check voltage between heated seat relay terminal connector and ground.

(+)		(-)	Voltage (V) (Approx.)
Heated seat relay			
Connector	Terminal	Ground	Battery voltage
M70	2		

Is the inspection result normal?

- YES >> GO TO 3.
- NO >> GO TO 2.

#### 2. CHECK HEATED SEAT RELAY POWER SUPPLY CIRCUIT

1. Turn ignition switch OFF.
2. Disconnect fuse block (J/B) connector.
3. Check continuity between heated seat relay terminal connector and fuse block (J/B) harness connector.

Heated seat relay		Fuse block (J/B)		Continuity
Connector	Terminal	Connector	Terminal	
M70	2	M1	2A	Existed

4. Check continuity between heated seat relay terminal connector and ground.

Heated seat relay		Ground	Continuity
Connector	Terminal		
M70	2		Not existed

Is the inspection result normal?

- YES >> GO TO 5.
- NO >> Repair or replace harness.

#### 3. CHECK HEATED SEAT RELAY GROUND CIRCUIT

1. Turn ignition switch OFF.
2. Check continuity between heated seat relay terminal connector and ground.



# HEATED SEAT RELAY

## < DTC/CIRCUIT DIAGNOSIS >

Heated seat relay		Ground	Continuity
Connector	Terminal		
M70	1		Existed

Is the inspection result normal?

- YES >> GO TO 4.  
 NO >> Repair or replace harness.

### 4.CHECK HEATED SEAT RELAY

Check heated seat relay.

Refer to [SE-105, "Component Inspection"](#).

Is the inspection result normal?

- YES >> Heated seat relay circuit is OK.  
 NO >> Replace heated seat relay.

### 5.CHECK INTERMITTENT INCIDENT

Check intermittent incident.

Refer to [GI-38, "Intermittent Incident"](#)

>> INSPECTION END

## Component Inspection

INFOID:000000005657397

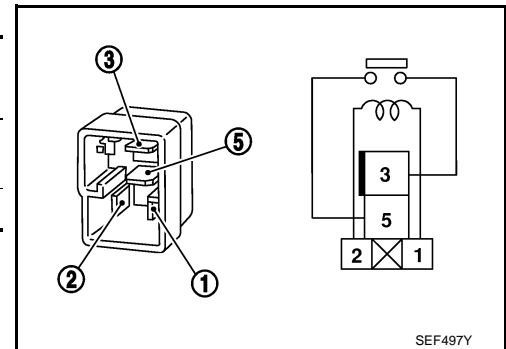
### 1.CHECK HEATED SEAT RELAY

1. Turn ignition switch OFF.
2. Disconnect heated seat relay.
3. Check continuity between heated seat relay terminals.

heated seat relay		Condition	Continuity
Terminal			
3	5	12 V direct current supply between terminals 1 and 2.	Existed
		No current supply	Not existed

Is the inspection result normal?

- YES >> INSPECTION END  
 NO >> Replace heated seat relay.



# HEAT SENSOR

< DTC/CIRCUIT DIAGNOSIS >

## HEAT SENSOR DRIVER SIDE

### DRIVER SIDE : Description

INFOID:000000005657398

Detects seat cushion heater temperature and outputs to heated seat control unit.

### DRIVER SIDE : Component Function Check

INFOID:000000005657399

#### 1. CHECK FUNCTION

Check that heated seat warms to preset temperature when operating heated seat switch to the optimal position.

Is the inspection result normal?

YES >> Heat sensor function is OK.

NO >> Refer to [SE-106, "DRIVER SIDE : Diagnosis Procedure"](#)

### DRIVER SIDE : Diagnosis Procedure

INFOID:000000005657400

#### 1. CHECK HEAT SENSOR INPUT SIGNAL

1. Turn ignition switch ON.
2. Check voltage between heated seat control unit harness connector and ground.

(+)		(-)	Condition	Voltage (V) (Approx.)	
Heated seat control unit					
Connector	Terminal				
B518	69	Ground	Heated seat switch position	OFF	0
				1 (Min. temperature)	10.87 – 11.02
				2	10.93 – 11.07
				3	11.04 – 11.17
				4	11.13 – 11.26
				5	11.22 – 11.34
				6 (Max. temperature)	11.31 – 11.43

**NOTE:**

Voltage is repeated within the value shown as per the following list depending on heater unit temperature.

Is the inspection result normal?

YES >> heat sensor is OK.

NO >> GO TO 2.

#### 2. CHECK HEAT SENSOR CIRCUIT

1. Turn ignition switch OFF.
2. Disconnect heated seat control unit connector and seat cushion heater connector.
3. Check continuity between heated seat control unit harness connector and seat cushion heater harness connector.

Heated seat control unit		Seat cushion heater		Continuity
Connector	Terminal	Connector	Terminal	
B518	69	B517	69	Existed

4. Check continuity between heated seat control unit harness connector and ground.

Heated seat control unit		Ground	Continuity
Connector	Terminal		
B518	69		Not existed

Is the inspection result normal?

# HEAT SENSOR

## < DTC/CIRCUIT DIAGNOSIS >

- YES >> GO TO 3.  
NO >> Repair or replace harness.

### 3.CHECK HEAT SENSOR POWER SUPPLY

1. Turn ignition switch ON.
2. Turn heated seat switch ON.
3. Check voltage between seat cushion heater harness connector and ground.

(+)		(-)	Voltage (V) (Approx.)
Seat cushion heater			
Connector	Terminal		
B517	66	Ground	Battery voltage

Is the inspection result normal?

- YES >> GO TO 5.  
NO >> GO TO 4.

### 4.CHECK HEAT SENSOR POWER SUPPLY CIRCUIT

1. Turn ignition switch OFF.
2. Disconnect heated seat switch connector.
3. Check continuity between heated seat control unit harness connector and seat cushion heater harness connector.

Heated seat control unit		Seat cushion heater		Continuity
Connector	Terminal	Connector	Terminal	
B518	66	B517	66	Existed

4. Check continuity between heated seat control unit harness connector and ground.

Heated seat control unit		Ground	Continuity
Connector	Terminal		
B518	66		Not existed

Is the inspection result normal?

- YES >> GO TO 6.  
NO >> Repair or replace harness.

### 5.CHECK HEAT SENSOR

Check heat sensor. Refer to [SE-107, "DRIVER SIDE : Component Inspection"](#).

Is the inspection result normal?

- YES >> GO TO 6.  
NO >> Replace seat cushion heater. Refer to [SE-191, "Removal and Installation"](#).

### 6.CHECK INTERMITTENT INCIDENT

Check intermittent incident.  
Refer to [GI-38, "Intermittent Incident"](#)

>> INSPECTION END

## DRIVER SIDE : Component Inspection

INFOID:000000005657401

### 1.CHECK HEAT SENSOR

1. Turn ignition switch OFF.
2. Disconnect seat cushion heater connector.
3. Check resistance between seat cushion heater terminals.

# HEAT SENSOR

## < DTC/CIRCUIT DIAGNOSIS >

Seat cushion heater		Condition	Resistance (KΩ) (Approx.)
Terminal			
66	69	When heat sensor temperature is 25°C (77°F)	9.9 – 10.1

**NOTE:**

Resistance value changes according to temperature.

Is the inspection result normal?

YES >> INSPECTION END

NO >> Replace seat cushion heater. Refer to [SE-188, "Exploded View"](#).

## PASSENGER SIDE

### PASSENGER SIDE : Description

INFOID:000000005657402

Detects seat cushion heater temperature and outputs to heated seat control unit.

### PASSENGER SIDE : Component Function Check

INFOID:000000005657403

## 1.CHECK FUNCTION

Check that heated seat warms to preset temperature when operating heated seat switch to the optimal position.

Is the inspection result normal?

YES >> Heat sensor function is OK.

NO >> Refer to [SE-108, "PASSENGER SIDE : Diagnosis Procedure"](#)

### PASSENGER SIDE : Diagnosis Procedure

INFOID:000000005657404

## 1.CHECK HEAT SENSOR INPUT SIGNAL

1. Turn ignition switch ON.
2. Check voltage between heated seat control unit harness connector and ground.

(+)		(-)	Condition	Voltage (V) (Approx.)	
Heated seat control unit					
Connector	Terminal				
B575	69	Ground	Heated seat switch position	OFF	0
				1 (Min. temperature)	10.87 – 11.02
				2	10.93 – 11.07
				3	11.04 – 11.17
				4	11.13 – 11.26
				5	11.22 – 11.34
				6 (Max. temperature)	11.31 – 11.43

**NOTE:**

Voltage is repeated within the value shown as per the following list depending on heater unit temperature.

Is the inspection result normal?

YES >> heat sensor is OK.

NO >> GO TO 2.

## 2.CHECK HEAT SENSOR CIRCUIT

1. Turn ignition switch OFF.
2. Disconnect heated seat control unit connector and seat cushion heater connector.
3. Check continuity between heated seat control unit harness connector and seat cushion heater harness connector.

# HEAT SENSOR

## < DTC/CIRCUIT DIAGNOSIS >

Heated seat control unit		Seat cushion heater		Continuity
Connector	Terminal	Connector	Terminal	
B575	69	B574	69	Existed

4. Check continuity between heated seat control unit harness connector and ground.

Heated seat control unit		Ground	Continuity
Connector	Terminal		
B575	69		Not existed

Is the inspection result normal?

YES >> GO TO 3.

NO >> Repair or replace harness.

### 3.CHECK HEAT SENSOR POWER SUPPLY

- Turn ignition switch ON.
- Turn heated seat switch ON.
- Check voltage between seat cushion heater harness connector and ground.

(+)		(-)	Voltage (V) (Approx.)
Seat cushion heater			
Connector	Terminal		
B574	66	Ground	Battery voltage

Is the inspection result normal?

YES >> GO TO 5.

NO >> GO TO 4.

### 4.CHECK HEAT SENSOR POWER SUPPLY CIRCUIT

- Turn ignition switch OFF.
- Disconnect heated seat switch connector.
- Check continuity between heated seat control unit harness connector and seat cushion heater harness connector.

Heated seat control unit		Seat cushion heater		Continuity
Connector	Terminal	Connector	Terminal	
B575	66	B574	66	Existed

4. Check continuity between heated seat control unit harness connector and ground.

Heated seat control unit		Ground	Continuity
Connector	Terminal		
B575	66		Not existed

Is the inspection result normal?

YES >> GO TO 6.

NO >> Repair or replace harness.

### 5.CHECK HEAT SENSOR

Check heat sensor. Refer to [SE-110, "PASSENGER SIDE : Component Inspection"](#).

Is the inspection result normal?

YES >> GO TO 6.

NO >> Replace seat cushion heater. Refer to [SE-188, "Exploded View"](#).

### 6.CHECK INTERMITTENT INCIDENT

Check intermittent incident.

Refer to [GI-38, "Intermittent Incident"](#)

# HEAT SENSOR

< DTC/CIRCUIT DIAGNOSIS >

---

>> INSPECTION END

PASSENGER SIDE : Component Inspection

INFOID:000000005657405

## 1. CHECK HEAT SENSOR

---

1. Turn ignition switch OFF.
2. Disconnect seat cushion heater connector.
3. Check resistance between seat cushion heater terminals.

Seat cushion heater		Condition	Resistance (K $\Omega$ ) (Approx.)
Terminal			
66	69	When heat sensor temperature is 25°C (77°F)	9.9 – 10.1

**NOTE:**

Resistance value changes according to temperature.

Is the inspection result normal?

YES >> INSPECTION END

NO >> Replace seat cushion heater. Refer to [SE-188, "Exploded View"](#).

# SEAT CUSHION HEATER

< DTC/CIRCUIT DIAGNOSIS >

## SEAT CUSHION HEATER DRIVER SIDE

### DRIVER SIDE : Description

INFOID:000000005657406

Warms the seat cushion.

### DRIVER SIDE : Component Function Check

INFOID:000000005657407

## 1.CHECK FUNCTION

Check that heated seat warms to preset temperature when operating heated seat switch to the optimal position.

Is the inspection result normal?

- YES >> Seat cushion heater function is OK.  
NO >> Refer to [SE-111, "DRIVER SIDE : Diagnosis Procedure"](#).

### DRIVER SIDE : Diagnosis Procedure

INFOID:000000005657408

## 1.CHECK SEAT CUSHION HEATER INPUT SIGNAL

1. Turn ignition switch OFF.
2. Disconnect seat cushion heater connector.
3. Turn ignition switch ON.
4. Check voltage between seat cushion heater harness connector and ground.

(+)		(-)	Condition		Voltage (V) (Approx.)
Seat cushion heater					
Connector	Terminal				
B517	68	Ground	Heated seat	Operates	0 – Battery voltage
				Other than above	0

#### NOTE:

Voltage is repeated within the value shown as per the following list depending on heater unit temperature.

Is the inspection result normal?

- YES >> GO TO 3.  
NO >> GO TO 2.

## 2.CHECK SEAT CUSHION HEATER CIRCUIT

1. Turn ignition switch OFF.
2. Disconnect heated seat control unit connector.
3. Check continuity between seat cushion heater harness connector and heated seat control unit harness connector.

Seat cushion heater		Heated seat control unit		Continuity
Connector	Terminal	Connector	Terminal	
B517	68	B518	68	Existed

4. Check continuity between seat cushion heater harness connector and ground.

Seat cushion heater		Ground	Continuity
Connector	Terminal		
B517	68		Not existed

Is the inspection result normal?

- YES >> Replace heated seat control unit. Refer to [SE-207, "Removal and Installation"](#).  
NO >> Repair or replace harness.

## 3.CHECK SEAT CUSHION HEATER

# SEAT CUSHION HEATER

## < DTC/CIRCUIT DIAGNOSIS >

Check seat cushion heater.

Refer to [SE-112, "DRIVER SIDE : Component Inspection"](#).

Is the inspection result normal?

YES >> GO TO 4.

NO >> Replace seat cushion heater. Refer to [SE-188, "Exploded View"](#).

### 4.CHECK SEAT CUSHION HEATER GROUND CIRCUIT

Check continuity between seat cushion heater harness connector and ground.

Seat cushion heater		Ground	Continuity
Connector	Terminal		Existed
B517	59		

Is the inspection result normal?

YES >> GO TO 5.

NO >> Repair or replace harness.

### 5.CHECK INTERMITTENT INCIDENT

Check intermittent incident.

Refer to [GI-38, "Intermittent Incident"](#)

>> INSPECTION END

## DRIVER SIDE : Component Inspection

INFOID:000000005657409

### 1.CHECK SEAT CUSHION HEATER

1. Turn ignition switch OFF.
2. Disconnect seat cushion heater connector and seatback heater connector.
3. Check resistance between seat cushion heater terminals.

Seat cushion heater		Condition	Resistance ( $\Omega$ ) (Approx.)
Terminal			2.6 – 3.0
59	68	When heat sensor temperature is 20°C (68°F)	

#### NOTE:

Resistance value changes according to temperature.

Is the inspection result normal?

YES >> INSPECTION END

NO >> Replace seat cushion heater. Refer to [SE-188, "Exploded View"](#).

## PASSENGER SIDE

### PASSENGER SIDE : Description

INFOID:000000005657410

Warms the seat cushion.

### PASSENGER SIDE : Component Function Check

INFOID:000000005657411

### 1.CHECK FUNCTION

Check that heated seat warms to preset temperature when operating heated seat switch to the optimal position.

Is the inspection result normal?

YES >> Seat cushion heater function is OK.

NO >> Refer to [SE-112, "PASSENGER SIDE : Diagnosis Procedure"](#).

### PASSENGER SIDE : Diagnosis Procedure

INFOID:000000005657412

### 1.CHECK FRONT SEAT CUSHION HEATER INPUT SIGNAL



# SEAT CUSHION HEATER

## < DTC/CIRCUIT DIAGNOSIS >

1. Turn ignition switch OFF.
2. Disconnect seat cushion heater connector.
3. Turn ignition switch ON.
4. Check voltage between seat cushion heater harness connector and ground.

(+)		(-)	Condition	Voltage (V) (Approx.)	
Seat cushion heater					
Connector	Terminal				
B574	68	Ground	Heated seat	Operates	0 – Battery voltage
				Other than above	0

**NOTE:**

Voltage is repeated within the value shown as per the following list depending on heater unit temperature.

Is the inspection result normal?

- YES >> GO TO 3.  
NO >> GO TO 2.

## 2.CHECK SEAT CUSHION HEATER CIRCUIT

1. Turn ignition switch OFF.
2. Disconnect heated seat control unit connector.
3. Check continuity between seat cushion heater harness connector and heated seat control unit harness connector.

Seat cushion heater		Heated seat control unit		Continuity
Connector	Terminal	Connector	Terminal	
B574	68	B575	68	Existed

4. Check continuity between seat cushion heater harness connector and ground.

Seat cushion heater		Ground	Continuity
Connector	Terminal		
B574	68		Not existed

Is the inspection result normal?

- YES >> Replace heated seat control unit. Refer to [SE-207. "Removal and Installation"](#).  
NO >> Repair or replace harness.

## 3.CHECK SEAT CUSHION HEATER

Check seat cushion heater.

Refer to [SE-114. "PASSENGER SIDE : Component Inspection"](#).

Is the inspection result normal?

- YES >> GO TO 4.  
NO >> Replace seat cushion heater. Refer to [SE-188. "Exploded View"](#).

## 4.CHECK SEAT CUSHION HEATER GROUND CIRCUIT

1. Turn ignition switch OFF.
2. Check continuity between seat cushion heater harness connector and ground.

Seat cushion heater		Ground	Continuity
Connector	Terminal		
B574	59		Existed

Is the inspection result normal?

- YES >> GO TO 5.  
NO >> Repair or replace harness.

## 5.CHECK INTERMITTENT INCIDENT

Check intermittent incident.

# SEAT CUSHION HEATER

< DTC/CIRCUIT DIAGNOSIS >

Refer to [GI-38. "Intermittent Incident"](#)

>> INSPECTION END

PASSENGER SIDE : Component Inspection

INFOID:000000005657413

## 1. CHECK SEAT CUSHION HEATER

1. Turn ignition switch OFF.
2. Disconnect seat cushion heater connector and seatback heater connector.
3. Check resistance between seat cushion heater terminals.

Seat cushion heater		Condition	Resistance ( $\Omega$ ) (Approx.)
Terminal			
59	68	When heat sensor temperature is 20°C (68°F)	2.6 – 3.0

**NOTE:**

Resistance value changes according to temperature.

Is the inspection result normal?

YES >> INSPECTION END

NO >> Replace seat cushion heater. Refer to [SE-188. "Exploded View"](#).

# SEATBACK HEATER

< DTC/CIRCUIT DIAGNOSIS >

## SEATBACK HEATER

### DRIVER SIDE

#### DRIVER SIDE : Description

INFOID:000000005657414

Warms the seat cushion.

#### DRIVER SIDE : Component Function Check

INFOID:000000005657415

### 1.CHECK FUNCTION

Check that heated seat warms to preset temperature when operating heated seat switch to the optimal position.

Is the inspection result normal?

- YES >> Seatback heater function is OK.  
NO >> Refer to [SE-115, "DRIVER SIDE : Diagnosis Procedure"](#).

#### DRIVER SIDE : Diagnosis Procedure

INFOID:000000005657416

### 1.CHECK SEATBACK HEATER

1. Turn ignition switch OFF.
2. Disconnect seatback heater connector.
3. Check resistance between seatback heater terminals.

Seatback heater		Condition	Resistance ( $\Omega$ ) (Approx.)
Connector	Terminal		
B542	1      2	When heat sensor temperature is 20°C (68°F)	4.0 – 4.7

#### NOTE:

Resistance value changes according to temperature.

Is the inspection result normal?

- YES >> Replace seat cushion heater. Refer to [SE-188, "Exploded View"](#).  
NO >> Replace seatback heater. Refer to [SE-188, "Exploded View"](#).

### PASSENGER SIDE

#### PASSENGER SIDE : Description

INFOID:000000005657417

Warms the seat cushion.

#### PASSENGER SIDE : Component Function Check

INFOID:000000005657418

### 1.CHECK FUNCTION

Check that heated seat warms to preset temperature when operating heated seat switch to the optimal position.

Is the inspection result normal?

- YES >> Seatback heater function is OK.  
NO >> Refer to [SE-115, "PASSENGER SIDE : Diagnosis Procedure"](#).

#### PASSENGER SIDE : Diagnosis Procedure

INFOID:000000005657419

### 1.CHECK SEATBACK HEATER

1. Turn ignition switch OFF.
2. Disconnect seatback heater connector.
3. Check resistance between seatback heater terminals.

## SEATBACK HEATER

### < DTC/CIRCUIT DIAGNOSIS >

Seatback heater			Condition	Resistance ( $\Omega$ ) (Approx.)
Connector	Terminal			
B582	1	2	When heat sensor temperature is 20°C (68°F)	4.0 – 4.7

**NOTE:**

Resistance value changes according to temperature.

Is the inspection result normal?

- YES >> Replace seat cushion heater. Refer to [SE-188. "Exploded View"](#).  
NO >> Replace seatback heater. Refer to [SE-188. "Exploded View"](#).

# HEATED SEAT SWITCH INDICATOR

< DTC/CIRCUIT DIAGNOSIS >

## HEATED SEAT SWITCH INDICATOR DRIVER SIDE

### DRIVER SIDE : Description

INFOID:000000005657420

Illuminates the indicator that indicates the operating status of heated seat.

### DRIVER SIDE : Component Function Check

INFOID:000000005657421

#### 1.CHECK FUNCTION

Check that the related indicator lamp illuminates when heated seat switch is set to ON.

Is the inspection result normal?

- YES >> Heated seat switch indicator function is OK.
- NO >> Refer to [SE-117, "DRIVER SIDE : Diagnosis Procedure"](#).

### DRIVER SIDE : Diagnosis Procedure

INFOID:000000005657422

#### 1.CHECK HEATED SEAT SWITCH INDICATOR GROUND CIRCUIT

1. Turn ignition switch OFF
2. Disconnect heated seat switch connector.
3. Check continuity between heated seat switch harness connector and ground.

Heated seat switch		Ground	Continuity
Connector	Terminal		Existed
A/T models: M141 M/T models: M175	6		Existed

Is the inspection result normal?

- YES >> Replace heated seat switch. Refer to [SE-213, "Removal and Installation"](#).
- NO >> Repair or replace harness.

## PASSENGER SIDE

### PASSENGER SIDE : Description

INFOID:000000005657423

Illuminates the indicator that indicates the operating status of heated seat.

### PASSENGER SIDE : Component Function Check

INFOID:000000005657424

#### 1.CHECK FUNCTION

Check that the related indicator lamp illuminates when heated seat switch is set to ON.

Is the inspection result normal?

- YES >> Heated seat switch indicator function is OK.
- NO >> Refer to [SE-117, "PASSENGER SIDE : Diagnosis Procedure"](#).

### PASSENGER SIDE : Diagnosis Procedure

INFOID:000000005657425

#### 1.CHECK HEATED SEAT SWITCH INDICATOR GROUND CIRCUIT

1. Turn ignition switch OFF
2. Disconnect heated seat switch connector.
3. Check continuity between heated seat switch harness connector and ground.

Heated seat switch		Ground	Continuity
Connector	Terminal		Existed
A/T models: M142 M/T models: M176	6		Existed

Is the inspection result normal?

## HEATED SEAT SWITCH INDICATOR

### < DTC/CIRCUIT DIAGNOSIS >

---

- YES >> Replace heated seat switch. Refer to [SE-213. "Removal and Installation"](#).
- NO >> Repair or replace harness.

# LUMBAR SUPPORT



< DTC/CIRCUIT DIAGNOSIS >

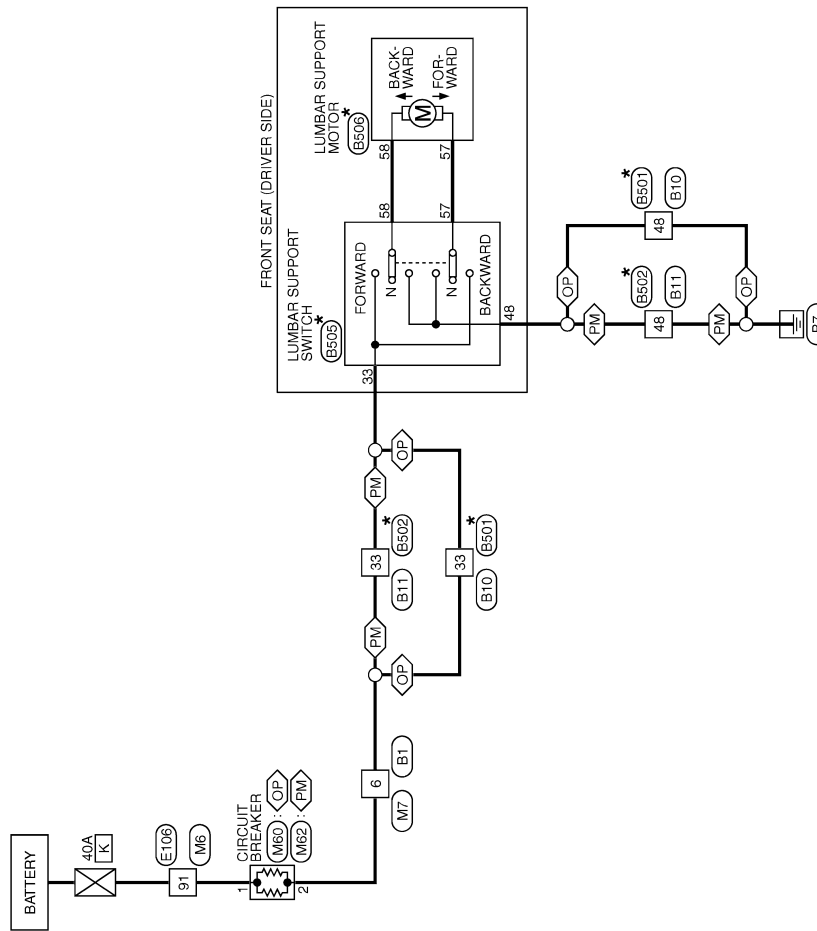
## LUMBAR SUPPORT

### Wiring Diagram - LUMBAR SUPPORT -

INFOID:000000005657426

## LUMBAR SUPPORT

 : With automatic drive positioner  
 : Without automatic drive positioner



\*: This connector is not shown in "Harness Layout".

2009/11/05

JCJWM1168GE

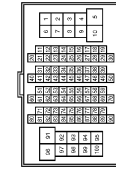
A  
B  
C  
D  
E  
F  
G  
H  
I  
SE  
K  
L  
M  
N  
O  
P

# LUMBAR SUPPORT

< DTC/CIRCUIT DIAGNOSIS >

## LUMBAR SUPPORT

Connector No.	B1
Connector Name	WIRE TO WIRE
Connector Type	THB07V-CS16-TM4



Terminal No.	Color of Wire	Signal Name [Specification]
1	BG	-
2	G	-
3	W	-
5	Y	-
6	SB	-
7	G	-
8	Y	-
9	GR	-
10	R	-
14	V	-
15	BR	-
16	LG	-
17	W	-
20	L	-
21	P	-
22	L	-
23	P	-
31	L	-
32	P	-
33	LG	-
34	Y	-
35	V	-
36	SB	-
37	SHIELD	-
38	W	-
40	BR	-
41	Y	-
42	SHIELD	-
43	P	-
44	L	-
45	SHIELD	-
46	R	-
47	G	-
48	SHIELD	-
49	SB	-
51	P	-
52	G	-
53	GR	-

54	V	-
55	LG	-
56	GR	-
57	SB	-
58	G	-
60	Y	-
61	L	-
62	BR	-
63	W	-
64	R	-
65	L	-
66	Y	-
67	SHIELD	-
71	V	-
72	GR	-
73	P	-
74	L	-
75	BR	-
76	SB	-
80	Y	-
81	R	-
82	B	-
82	B	-
95	V	-

Connector No.	B10
Connector Name	WIRE TO WIRE
Connector Type	NS12FY-CS



66	5	33
60	48	19
3	32	67
40	3	67

Terminal No.	Color of Wire	Signal Name [Specification]
3	L	-
5	V	-
19	P	-
32	B	-
33	SB	-
40	G	-
48	B	-
60	G	-
66	Y	-
67	GR	-

Connector No.	B11
Connector Name	WIRE TO WIRE
Connector Type	NS18FY-CS



40	17	1	3	19
60	67	33	21	48
32	66	5	33	60

Terminal No.	Color of Wire	Signal Name [Specification]
1	W	-
3	L	-
5	V	-
17	LG	-
19	P	-
21	V	-
32	B	-
33	SB	-
40	BR	-
48	B	-
60	G	-
66	Y	-
67	GR	-

Connector No.	B501
Connector Name	WIRE TO WIRE
Connector Type	NS12MW-CS



33	5	66
40	67	32
3	19	48
60	3	60

Terminal No.	Color of Wire	Signal Name [Specification]
3	R/Y	-
5	L	-
19	V	-
32	B/W	-
33	R	-
40	R/W	-
48	B	-
60	Y	-
66	B	-

67	W	-
----	---	---

Connector No.	B502
Connector Name	WIRE TO WIRE
Connector Type	NS18MW-CS



19	3	1	17	40
5	66	32	48	21
33	67	3	60	3

Terminal No.	Color of Wire	Signal Name [Specification]
1	L/W	-
3	R/Y	-
5	L	-
17	Y/R	-
19	V	-
21	L/Y	-
32	B/W	-
33	R	-
40	R/W	-
48	B	-
60	Y	-
66	B	-
67	W	-

Connector No.	B505
Connector Name	LUMBAR SUPPORT SWITCH
Connector Type	NS04FW-CS



58	57	48	33
----	----	----	----

Terminal No.	Color of Wire	Signal Name [Specification]
33	R	-
48	B	-
57	W	-
58	L	-



# LUMBAR SUPPORT

< DTC/CIRCUIT DIAGNOSIS >

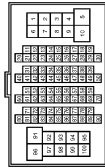
## LUMBAR SUPPORT

Connector No.	E106
Connector Name	LUMBAR SUPPORT MOTOR
Connector Type	CO2PW



Terminal No.	Color of Wire	Signal Name [Specification]
57	W	
58	L	

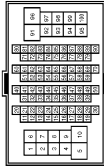
Connector No.	E106
Connector Name	WIRE TO WIRE
Connector Type	TH80FW-CS16-TM4



Terminal No.	Color of Wire	Signal Name [Specification]
1	GR	
3	BG	
5	G	
6	BG	
7	LG	
10	W	
11	V	
12	R	
13	L	
14	GR	
15	P	
16	W	
17	V	
18	BG	
19	GR	
20	LG	
30	R	
31	L	
32	P	

34	V	
35	BR	
36	W	
37	Y	
38	R	
39	B	
40	G	
41	W	
42	LG	
43	SB	
44	GR	
45	BG	
46	LG	
47	V	
48	P	
49	L	
59	B	
66	LG	
67	SB	
68	R	
69	W	
70	G	
80	W	
81	P	
82	G	
83	V	
84	L	
85	BG	
86	LG	
87	Y	
88	GR	
89	W	
91	G	
93	GR	
95	Y	
96	Y	
97	BR	
98	SHIELD	
99	L	
100	P	

Connector No.	M6
Connector Name	WIRE TO WIRE
Connector Type	TH80MW-CS16-TM4



Terminal No.	Color of Wire	Signal Name [Specification]
1	BG	
3	R	
5	G	
6	L	
7	W	
10	W	
11	V	
12	R	
13	L	
14	GR	
15	P	
16	W	
17	BR	
18	BG	
19	L	
20	L	
30	R	
31	SB	
32	Y	
33	BG	
34	R	
35	BR	
36	SB	
37	Y	
38	LG	
39	SB	
40	P	
41	W	
42	LG	
43	R	
44	Y	
44	P	
45	BG	
46	G	
47	V	
48	P	
49	L	
59	B	

66	GR	
67	P	
68	L	
69	W	
70	BR	
80	L	
81	R	
82	V	
83	W	
84	L	
85	BG	
86	W	
87	G	
88	B	
89	SB	
91	L	
93	Y	
95	Y	
96	R	
97	P	
98	SHIELD	
99	V	
100	SB	

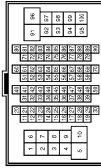
A  
B  
C  
D  
E  
F  
G  
H  
I  
SE  
K  
L  
M  
N  
O  
P

# LUMBAR SUPPORT

< DTC/CIRCUIT DIAGNOSIS >

## LUMBAR SUPPORT

Connector No.	M7
Connector Name	WIRE TO WIRE
Connector Type	TH80MW-CS16-TM4



Terminal No.	Color of Wire	Signal Name [Specification]
1	BG	-
2	LG	-
3	BG	-
5	Y	-
6	P	-
7	G	-
8	L	-
9	V	-
10	R	-
14	R	-
15	BR	-
16	P	-
17	V	-
20	L	-
21	P	-
22	L	-
23	P	-
31	L	-
32	P	-
33	LG	-
34	SB	-
35	V	-
36	LG	-
37	SHIELD	-
38	GR	-
40	BR	-
41	Y	-
42	SHIELD	-
43	O	-
44	W	-
45	SHIELD	-
46	R	-
47	G	-
48	SHIELD	-
49	SB	-
51	W	-
52	B	-
53	SB	-

54	V	-
55	Y	-
56	L	-
57	W	-
58	BG	-
60	L	-
61	G	-
62	B	-
63	G	-
64	R	-
65	W	-
66	Y	-
67	SHIELD	-
71	R	-
72	LG	-
73	SB	-
74	V	-
75	LG	-
76	P	-
80	P	-
81	W	-
82	BR	-
95	BG	-

Connector No.	M60
Connector Name	CIRCUIT BREAKER
Connector Type	M02FW-LC



Terminal No.	Color of Wire	Signal Name [Specification]
1	W	-
2	P	-

Connector No.	M62
Connector Name	CIRCUIT BREAKER
Connector Type	M02FW-LC



Terminal No.	Color of Wire	Signal Name [Specification]
1	W	-
2	P	-

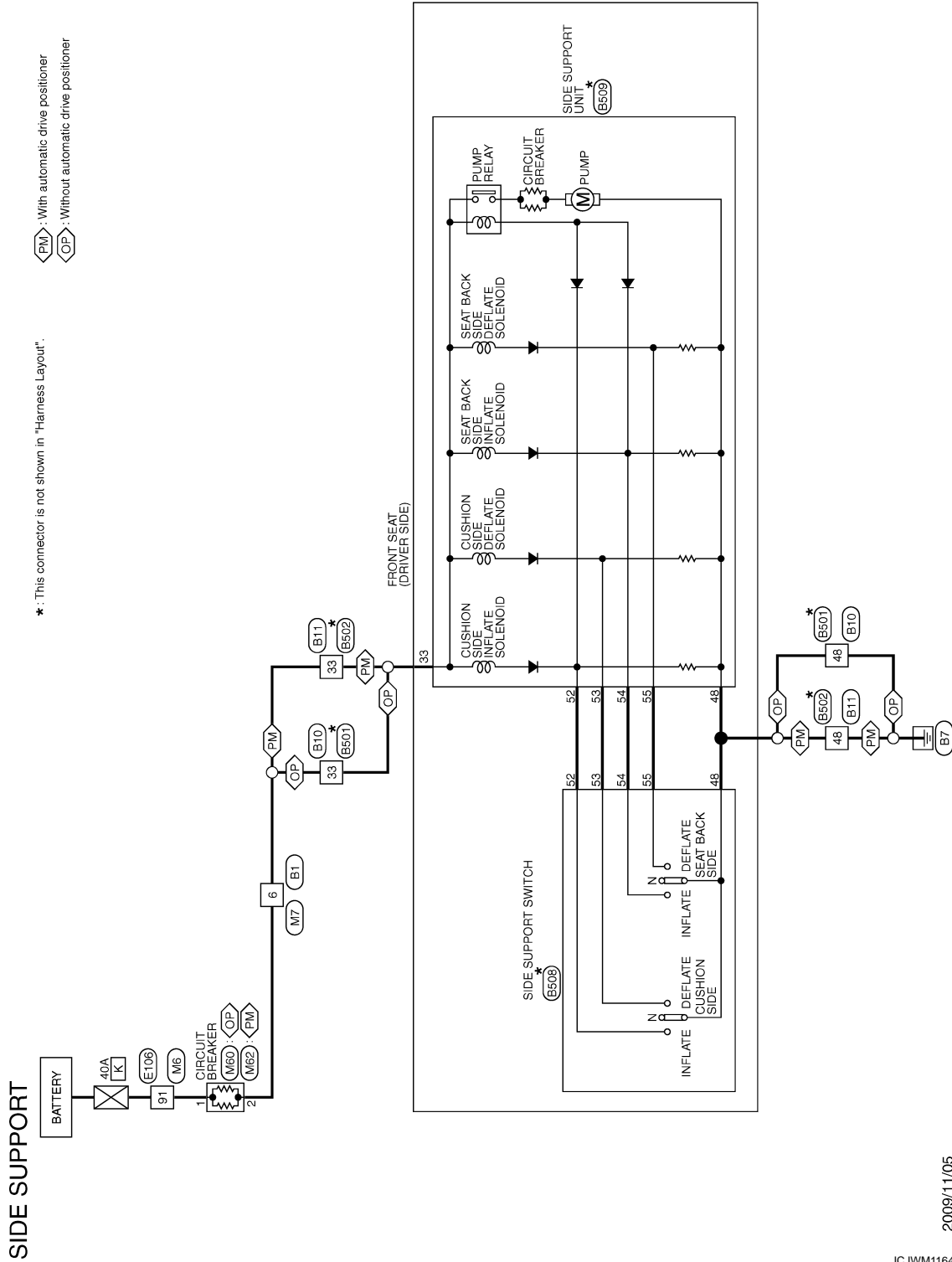
# SIDE SUPPORT

< DTC/CIRCUIT DIAGNOSIS >

## SIDE SUPPORT

### Wiring Diagram - SIDE SUPPORT -

INFOID:000000005657427



2009/11/05

JCJWM1164GE

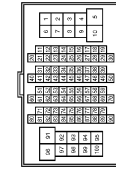
A  
B  
C  
D  
E  
F  
G  
H  
I  
SE  
K  
L  
M  
N  
O  
P

# SIDE SUPPORT

< DTC/CIRCUIT DIAGNOSIS >

## SIDE SUPPORT

Connector No.	B1
Connector Name	WIRE TO WIRE
Connector Type	THB07V-CS16-TM4



Terminal No.	Color of Wire	Signal Name [Specification]
1	BG	-
2	G	-
3	W	-
5	Y	-
6	SB	-
7	G	-
8	Y	-
9	GR	-
10	R	-
14	V	-
15	BR	-
16	LG	-
17	W	-
20	L	-
21	P	-
22	L	-
23	P	-
31	L	-
32	P	-
33	LG	-
34	Y	-
35	V	-
36	SB	-
37	SHIELD	-
38	W	-
40	BR	-
41	Y	-
42	SHIELD	-
43	P	-
44	L	-
45	SHIELD	-
46	R	-
47	G	-
48	SHIELD	-
49	SB	-
51	P	-
52	G	-
53	GR	-

54	V	-
55	LG	-
56	GR	-
57	SB	-
58	G	-
60	Y	-
61	L	-
62	BR	-
63	W	-
64	R	-
65	L	-
66	Y	-
67	SHIELD	-
71	V	-
72	GR	-
73	P	-
74	L	-
75	BR	-
76	SB	-
80	Y	-
81	R	-
82	B	-
82	B	-
95	V	-

Connector No.	B10
Connector Name	WIRE TO WIRE
Connector Type	NS12FY-CS



66	5	33
60	48	19
3	32	67
40	3	67

Terminal No.	Color of Wire	Signal Name [Specification]
3	L	-
5	V	-
19	P	-
32	B	-
33	SB	-
40	G	-
46	B	-
60	G	-
66	Y	-
67	GR	-

Connector No.	B11
Connector Name	WIRE TO WIRE
Connector Type	NS18FY-CS



40	17	1	3	19
60	67	33	21	48
32	66	5	19	48
60	67	33	21	48

Terminal No.	Color of Wire	Signal Name [Specification]
1	W	-
3	L	-
5	V	-
17	LG	-
19	P	-
21	V	-
22	B	-
32	SB	-
40	BR	-
48	B	-
66	Y	-
67	GR	-

Connector No.	B501
Connector Name	WIRE TO WIRE
Connector Type	NS12MW-CS



33	5	66
40	67	32
3	19	48
60	67	32

Terminal No.	Color of Wire	Signal Name [Specification]
3	R/Y	-
5	L	-
19	V	-
32	B/W	-
33	R	-
40	R/W	-
48	B	-
60	Y	-
66	B	-

67	W	-
----	---	---

Connector No.	B502
Connector Name	WIRE TO WIRE
Connector Type	NS18MW-CS



19	3	1	17	40
5	66	32	48	21
33	67	32	48	21
60	67	32	48	21

Terminal No.	Color of Wire	Signal Name [Specification]
1	L/W	-
3	R/Y	-
5	L	-
17	Y/R	-
19	V	-
21	L/Y	-
32	B/W	-
33	R	-
40	R/W	-
48	B	-
60	Y	-
66	B	-
67	W	-

Connector No.	B508
Connector Name	SIDE SUPPORT SWITCH
Connector Type	NS308FW-CS



55	54
53	62
48	48

Terminal No.	Color of Wire	Signal Name [Specification]
48	B	-
52	G	-
53	B/R	-
54	V/W	-
55	R/L	-

# SIDE SUPPORT

< DTC/CIRCUIT DIAGNOSIS >

## SIDE SUPPORT

Connector No.	B509
Connector Name	SIDE SUPPORT UNIT
Connector Type	NS88FW-CS



55	54
33	53
52	48

Terminal No.	Color of Wire	Signal Name [Specification]
33	R	-
48	B	-
52	G	-
53	B/R	-
54	V/W	-
55	R/L	-

## SIDE SUPPORT

Connector No.	E106
Connector Name	WIRE TO WIRE
Connector Type	TH80FW-CS16-TM4



Terminal No.	Color of Wire	Signal Name [Specification]
1	GR	-
3	BG	-
5	G	-
8	BG	-
7	LG	-
10	W	-
11	V	-
12	R	-
13	L	-
14	GR	-
15	P	-
16	W	-
17	V	-
18	BG	-
19	GR	-
20	LG	-

30	R	-
31	L	-
32	BG	-
33	P	-
34	V	-
35	BR	-
36	W	-
37	Y	-
38	R	-
39	B	-
40	G	-
41	W	-
42	LG	-
43	SB	-
44	GR	-
45	BG	-
46	LG	-
47	V	-
48	P	-
49	L	-
50	B	-
56	LG	-
67	SB	-
68	R	-
69	W	-
70	G	-
80	W	-
81	P	-
82	G	-
83	V	-
84	L	-
85	BG	-
86	LG	-
87	Y	-
88	GR	-
89	W	-
91	G	-
93	GR	-
95	Y	-
96	Y	-
97	Y	-
98	SHIELD	-
99	L	-
100	P	-

Connector No.	M6
Connector Name	WIRE TO WIRE
Connector Type	TH82MW-CS16-TM4



Terminal No.	Color of Wire	Signal Name [Specification]
1	BG	-
3	R	-
5	G	-
6	L	-
7	W	-
10	W	-
11	V	-
12	R	-
13	L	-
14	GR	-
15	P	-
16	W	-
17	BR	-
18	BG	-
19	L	-
20	L	-
30	R	-
31	SB	-
32	Y	-
33	BG	-
34	R	-
35	BR	-
36	SB	-
37	Y	-
38	LG	-
39	SB	-
40	P	-
41	W	-
42	LG	-
43	R	-
44	Y	- [With A/T]
44	P	- [With M/T]
45	BG	-
46	G	-
47	V	-
48	P	-
49	L	-
50	B	-

66	GR	-
67	P	-
68	L	-
69	W	-
70	BR	-
80	L	-
81	R	-
82	V	-
83	W	-
84	L	-
85	BG	-
86	W	-
87	G	-
88	B	-
89	SB	-
91	L	-
93	Y	-
95	Y	-
96	R	-
97	P	-
98	SHIELD	-
99	V	-
100	SB	-

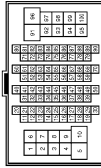
A  
B  
C  
D  
E  
F  
G  
H  
I  
SE  
K  
L  
M  
N  
O  
P

# SIDE SUPPORT

< DTC/CIRCUIT DIAGNOSIS >

## SIDE SUPPORT

Connector No.	M7
Connector Name	WIRE TO WIRE
Connector Type	THB0MW-CS1E-TM4



Terminal No.	Color of Wire	Signal Name [Specification]
1	BG	-
2	LG	-
3	BG	-
5	Y	-
6	P	-
7	G	-
8	L	-
9	V	-
10	R	-
14	R	-
15	BR	-
16	P	-
17	V	-
20	L	-
21	P	-
22	L	-
23	P	-
32	P	-
33	LG	-
34	SB	-
35	V	-
36	LG	-
37	SHIELD	-
38	GR	-
40	BR	-
41	Y	-
42	SHIELD	-
43	O	-
44	W	-
45	SHIELD	-
46	R	-
47	G	-
48	SHIELD	-
49	SB	-
51	W	-
52	B	-
53	SB	-

54	V	-
55	Y	-
56	L	-
57	W	-
58	BG	-
60	L	-
61	G	-
62	B	-
63	G	-
64	R	-
65	W	-
66	Y	-
67	SHIELD	-
71	R	-
72	LG	-
73	SB	-
74	V	-
75	LG	-
76	P	-
80	P	-
81	W	-
82	BR	-
95	BG	-

Connector No.	M60
Connector Name	CIRCUIT BREAKER
Connector Type	M02FW-LC



Terminal No.	Color of Wire	Signal Name [Specification]
1	W	-
2	P	-

Connector No.	M62
Connector Name	CIRCUIT BREAKER
Connector Type	M02FW-LC



Terminal No.	Color of Wire	Signal Name [Specification]
1	W	-
2	P	-

# DRIVER SEAT CONTROL UNIT (WITHOUT AUTOMATIC DRIVE POSITIONER)

< ECU DIAGNOSIS INFORMATION >

## ECU DIAGNOSIS INFORMATION

### DRIVER SEAT CONTROL UNIT (WITHOUT AUTOMATIC DRIVE POSITIONER)

Reference Value

INFOID:000000005657428

#### VALUES ON THE DIAGNOSIS TOOL

CONSULT-III MONITOR ITEM

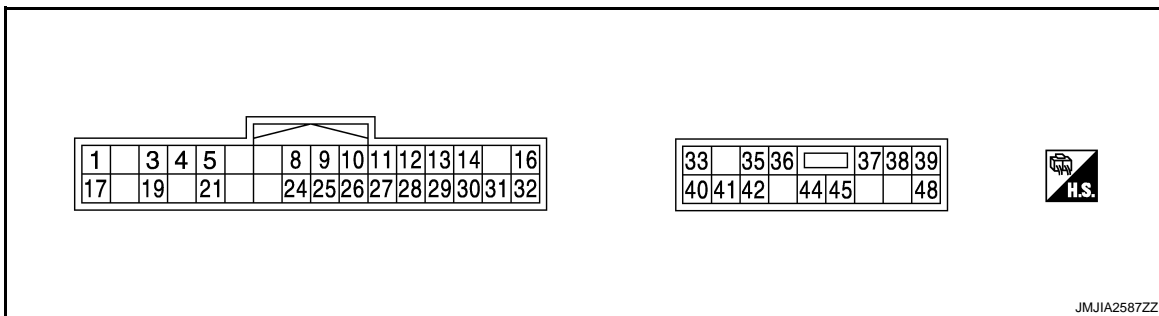
Monitor Item	Condition		Value/Status
SLIDE SW-FR	Sliding switch (front)	Operate	ON
		Release	OFF
SLIDE SW-RR	Sliding switch (rear)	Operate	ON
		Release	OFF
FORWARD SW	Seat back	Folded down	ON
		Other than above	OFF
WALK-IN SW	Power walk-in switch	Pressed	ON
		Other than above	OFF
FWD LIMIT SW	Seat sliding	Front edge	ON
		Other than above	OFF
SEAT BELT SW	Seat belt	Front edge	ON
		Other than above	OFF
DETENT SW*1	A/T selector lever	P position	OFF
		Other than above	ON
PARK BRAKE SW*2	Parking brake	Applied	ON
		Release	OFF
SLIDE PULSE	Seat sliding	Forward	The numeral value decreases *3
		Backward	The numeral value increases *3
		Other than above	No change to numeral value*3

\*1: A/T model

\*2: M/T model

\*3: The value at the position attained when the battery is connected is regarded as 32768.

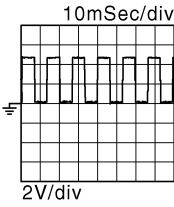
#### TERMINAL LAYOUT



#### PHYSICAL VALUES

# DRIVER SEAT CONTROL UNIT (WITHOUT AUTOMATIC DRIVE POSITIONER)

## < ECU DIAGNOSIS INFORMATION >

Terminal No. (Wire color)		Description		Condition		Voltage (V) (Approx.)
(+)	(-)	Signal name	Input/ Output			
3 (R/Y)	—	CAN-H	—	—		—
4 (O/B)	Ground	Sliding limit switch signal	Input	Seat sliding front edge		0
				Other than above*		5
5 (L)	Ground	Seat belt buckle switch signal (driver side)	Input	Ignition switch OFF and seat belt fas- tened*		5
				Ignition switch ON and seat belt released		Battery voltage
				Other than above		0
11 (BR)	Ground	Sliding switch back- ward signal	Input	Sliding switch	Operate (backward)	0
					Release	Battery voltage
12 (SB)	Ground	Reclining switch backward signal	Input	Reclining switch	Operate (backward)	0
					Release	Battery voltage
13 (LG/R)	Ground	Lifting switch (front) downward signal	Input	Lifting switch (front)	Operate (downward)	0
					Release	Battery voltage
14 (G/B)	Ground	Lifting switch (rear) downward signal	Input	Lifting switch (rear)	Operate (downward)	0
					Release	Battery voltage
16 (O)	Ground	Sensor power supply	Out- put	—		Battery voltage
19 (V)	—	CAN-L	—	—		—
24 (R)	Ground	Sliding sensor signal	Input	Seat sliding	Operate	 <p>10mSec/div 2V/div JMJA0119ZZ</p>
					Stop	0 or 5
26 (Y)	Ground	Sliding switch for- ward signal	Input	Sliding switch	Operate (forward)	0
					Release	Battery voltage
27 (R/G)	Ground	Reclining switch for- ward signal	Input	Reclining switch	Operate (forward)	0
					Release	Battery voltage
28 (W/B)	Ground	Lifting switch (front) upward signal	Input	Seat lifting switch (front)	Operate (upward)	0
					Release	Battery voltage
29 (R/L)	Ground	Lifting switch (rear) upward signal	Input	Seat lifting switch (rear)	Operate (upward)	0
					Release	Battery voltage



# DRIVER SEAT CONTROL UNIT (WITHOUT AUTOMATIC DRIVE POSITIONER)

## < ECU DIAGNOSIS INFORMATION >

Terminal No. (Wire color)		Description		Condition		Voltage (V) (Approx.)	
(+)	(-)	Signal name	Input/ Output				
30 (P)	Ground	Power walk-in switch signal	Input	Power walk-in switch	Pressed	0	A
					Other than above	Battery voltage	B
31 (GR)	Ground	Sensor ground	—	—	—	0	C
32 (B/W)	Ground	Ground (signal)	—	—	—	0	D
33 (R)	Ground	Power source (C/B)	Input	—	—	Battery voltage	E
35 (W/R)	Ground	Sliding motor forward output	Output	Seat sliding	Operate (forward)	Battery voltage	F
					Release	0	G
36 (G/Y)	Ground	Reclining motor for- ward output signal	Output	Seat reclining	Operate (forward)	Battery voltage	H
					Release	0	I
37 (G/W)	Ground	Lifting motor (front) downward output	Output	Seat lifting (front)	Operate (downward)	Battery voltage	J
					Stop	0	K
38 (L/Y)	Ground	Lifting motor (rear) upward output	Output	Seat lifting (rear)	Operate (upward)	Battery voltage	L
					Stop	0	M
39 (R/B)	Ground	Lifting motor (rear) downward output	Output	Seat lifting (rear)	Operate (downward)	Battery voltage	N
					Stop	0	O
40 (R/W)	Ground	Power source (Fuse)	Input	—	—	Battery voltage	P
41 (Y/G)	Ground	Forward switch sig- nal	Input	Seatback is folded down		0	
				Other than above*		5	
42 (W)	Ground	Sliding motor back- ward output	Output	Seat sliding	Operate (backward)	Battery voltage	
					Stop	0	
44 (P)	Ground	Reclining motor backward output	Output	Seat reclining	Operate (backward)	Battery voltage	
					Stop	0	
45 (L/R)	Ground	Lifting motor (front) upward output	Output	Seat lifting (front)	Operate (upward)	Battery voltage	
					Stop	0	
48 (B)	Ground	Ground (power)	—	—	—	0	

\*: Not in the sleep mode.

## Wiring Diagram - POWER SEAT SYSTEM FOR DRIVER SIDE (WITHOUT AUTO-

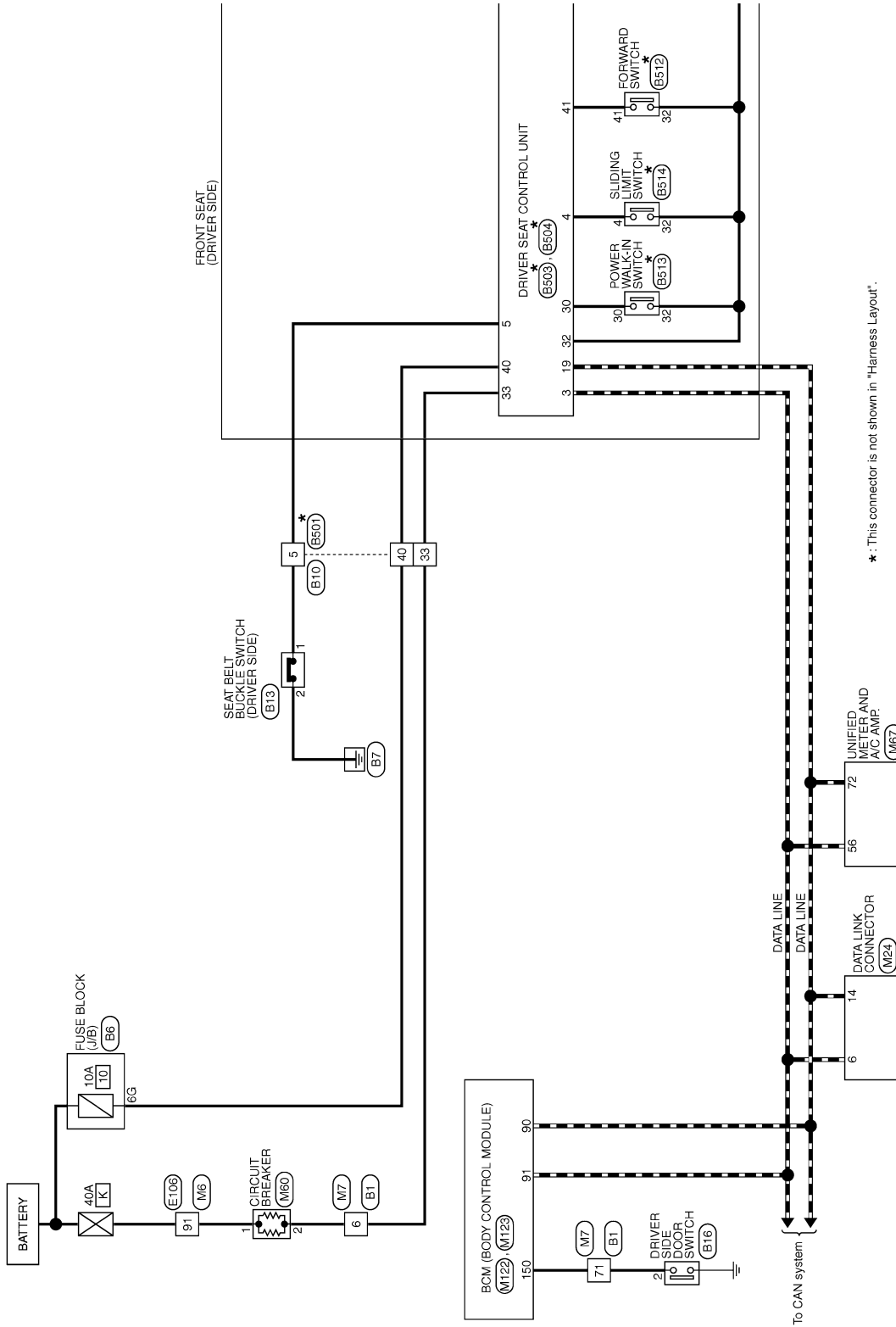
# DRIVER SEAT CONTROL UNIT (WITHOUT AUTOMATIC DRIVE POSITIONER)

< ECU DIAGNOSIS INFORMATION >

## MATIC DRIVE POSITIONER) -

INFOID:000000005657429

### POWER SEAT FOR DRIVER SIDE (WITHOUT AUTOMATIC DRIVE POSITIONER)



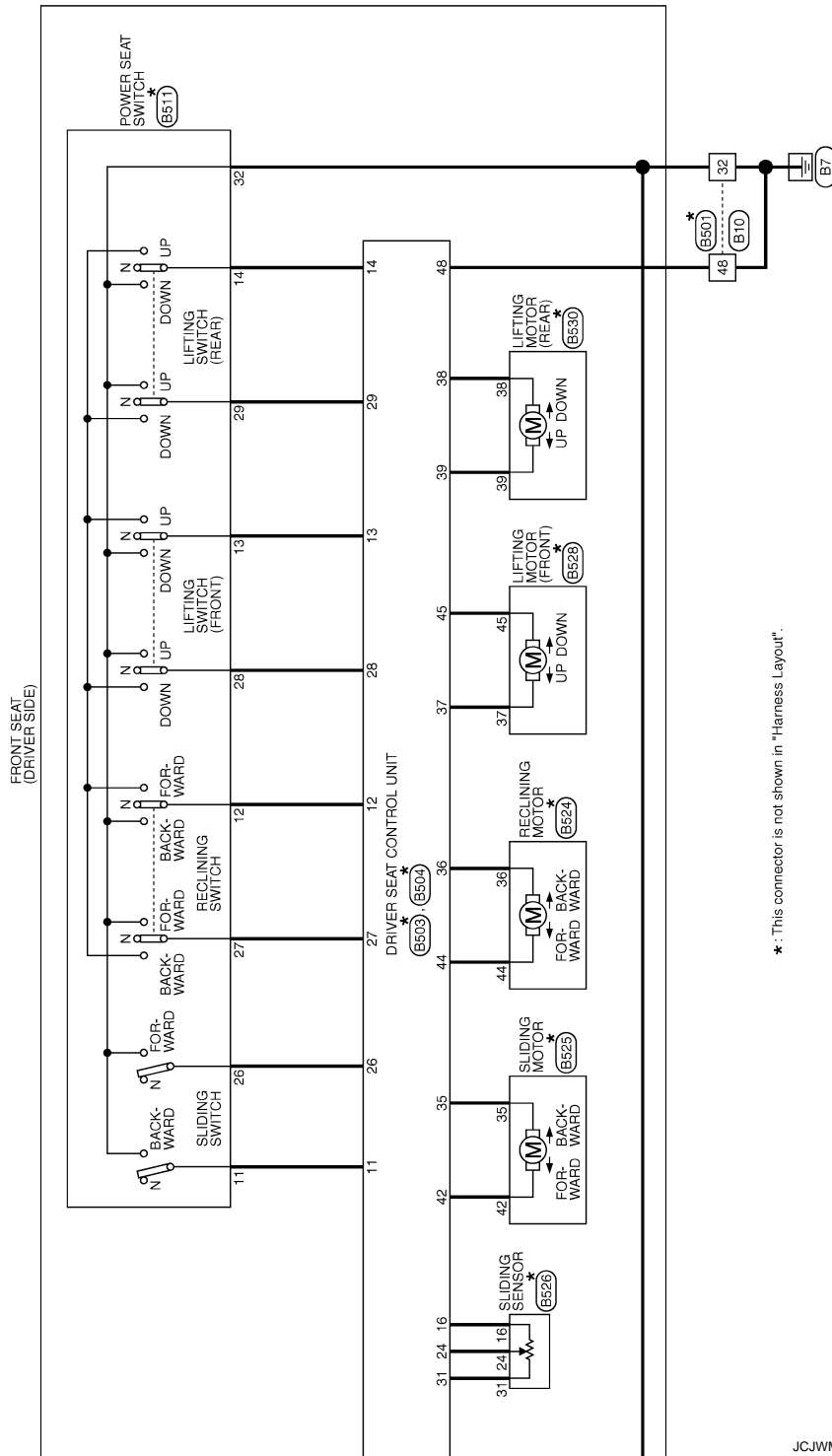
\*: This connector is not shown in "Harness Layout".

2009/11/05

JCJWM1153GE

# DRIVER SEAT CONTROL UNIT (WITHOUT AUTOMATIC DRIVE POSITIONER)

< ECU DIAGNOSIS INFORMATION >



\*: This connector is not shown in "Harness Layout".

JCJWM1154GB

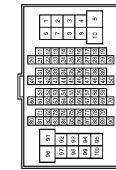
A  
B  
C  
D  
E  
F  
G  
H  
I  
SE  
K  
L  
M  
N  
O  
P

# DRIVER SEAT CONTROL UNIT (WITHOUT AUTOMATIC DRIVE POSITIONER)

< ECU DIAGNOSIS INFORMATION >

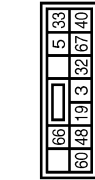
## POWER SEAT FOR DRIVER SIDE (WITHOUT AUTOMATIC DRIVE POSITIONER)

Connector No.	B1
Connector Name	WIRE TO WIRE
Connector Type	THB07V-CS16-TM4



Terminal No.	Color of Wire	Signal Name [Specification]
1	BG	-
2	G	-
3	W	-
5	Y	-
6	SB	-
7	G	-
8	Y	-
9	GR	-
10	R	-
14	V	-
15	BR	-
16	LG	-
17	W	-
20	L	-
21	P	-
22	L	-
23	P	-
31	L	-
32	P	-
33	LG	-
34	V	-
35	V	-
36	SB	-
37	SHIELD	-
38	W	-
40	BR	-
41	Y	-
42	SHIELD	-
43	P	-
44	L	-
45	SHIELD	-
46	R	-
47	G	-
48	SHIELD	-
49	SB	-
51	P	-
52	G	-
53	GR	-

Connector No.	B10
Connector Name	WIRE TO WIRE
Connector Type	NS1ZFW-CS



Terminal No.	Color of Wire	Signal Name [Specification]
3	L	-
5	L	-
19	P	-
32	B	-
33	SB	-
40	G	-
48	B	-
60	G	-
65	Y	-
67	GR	-

Connector No.	B6
Connector Name	FUSE BLOCK (J/B)
Connector Type	NS1ZFER-CS



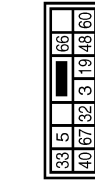
Terminal No.	Color of Wire	Signal Name [Specification]
4G	R	-
5G	LG	-
6G	G	-
10G	W	-
11G	W	-
12G	Y	-

Connector No.	B16
Connector Name	DRIVER SIDE DOOR SWITCH
Connector Type	A03FW



Terminal No.	Color of Wire	Signal Name [Specification]
2	V	-

Connector No.	B501
Connector Name	WIRE TO WIRE
Connector Type	NS1ZMP-CS



Terminal No.	Color of Wire	Signal Name [Specification]
3	R/Y	-
5	L	-
19	V	-
32	B/W	-
33	R	-
40	R/W	-
48	B	-
60	Y	-
66	B	-
67	W	-

JCJWM1155GE

# DRIVER SEAT CONTROL UNIT (WITHOUT AUTOMATIC DRIVE POSITIONER)

< ECU DIAGNOSIS INFORMATION >

## POWER SEAT FOR DRIVER SIDE (WITHOUT AUTOMATIC DRIVE POSITIONER)

Connector No.	B503
Connector Name	DRIVER SEAT CONTROL UNIT
Connector Type	TH2FW

Terminal No.	1	2	3	4	5	6	7	8	9	10	11	12	13	14	15	16	17	18	19	20	21	22	23	24	25	26	27	28	29	30	31	32
Color of Wire	L/W	R/Y	O/B	L/Y	W/G	P/B	SB	LG/R	G/B	O	VCC	TX	CAN-L	P RANGE SW	PULSE (SLIDING)	PULSE (FR LIFTING)	SLIDING SW (FORWARD)	RECLINING SW (FORWARD)	FRONT LIFTING SW (UPWARD)	REAR LIFTING SW (UPWARD)	POWER WALK-IN SW	SENSOR GND	GND (SIGNAL)									
Signal Name [Specification]	RX	CAN-H	SLIDING LIMIT SW	BUCKLE SW	P RANGE SW	PULSE (RECLINING)	PULSE (FR LIFTING)	SLIDING SW (BACKWARD)	RECLINING SW (BACKWARD)	FRONT LIFTING SW (DOWNWARD)	REAR LIFTING SW (DOWNWARD)	VCC	TX	CAN-L	P RANGE SW	PULSE (SLIDING)	PULSE (FR LIFTING)	SLIDING SW (FORWARD)	RECLINING SW (FORWARD)	FRONT LIFTING SW (UPWARD)	REAR LIFTING SW (UPWARD)	POWER WALK-IN SW	SENSOR GND	GND (SIGNAL)								



Terminal No.	33	34	35	36	37	38	39	40	41	42	44	45	48
Color of Wire	R	W/R	G/Y	G/W	L/Y	R/B	R/W	Y/G	W	P	L/R	B	
Signal Name [Specification]	BAT (G/B)	SLIDING MOTOR (FORWARD)	RECLINING MOTOR (FORWARD)	FRONT LIFTING MOTOR (DOWNWARD)	REAR LIFTING MOTOR (UPWARD)	REAR LIFTING MOTOR (BACKWARD)	BAT FUSE	FORWARD SW	SLIDING MOTOR (BACKWARD)	RECLINING MOTOR (BACKWARD)	FRONT LIFTING MOTOR (UPWARD)	GND (POWER)	

Terminal No.	1	3	4	5	8	9	10	11	12	13	14	16	17	19	21	24	25	26	27	28	29	30	31	32
Color of Wire	L/W	R/Y	O/B	L/Y	W/G	P/B	SB	LG/R	G/B	O	VCC	TX	CAN-L	P RANGE SW	PULSE (SLIDING)	PULSE (FR LIFTING)	SLIDING SW (FORWARD)	RECLINING SW (FORWARD)	FRONT LIFTING SW (UPWARD)	REAR LIFTING SW (UPWARD)	POWER WALK-IN SW	SENSOR GND	GND (SIGNAL)	
Signal Name [Specification]	RX	CAN-H	SLIDING LIMIT SW	BUCKLE SW	P RANGE SW	PULSE (RECLINING)	PULSE (FR LIFTING)	SLIDING SW (BACKWARD)	RECLINING SW (BACKWARD)	FRONT LIFTING SW (DOWNWARD)	REAR LIFTING SW (DOWNWARD)	VCC	TX	CAN-L	P RANGE SW	PULSE (SLIDING)	PULSE (FR LIFTING)	SLIDING SW (FORWARD)	RECLINING SW (FORWARD)	FRONT LIFTING SW (UPWARD)	REAR LIFTING SW (UPWARD)	POWER WALK-IN SW	SENSOR GND	GND (SIGNAL)

Connector No.	B504
Connector Name	DRIVER SEAT CONTROL UNIT
Connector Type	NS16FW-CS

Terminal No.	33	35	36	37	38	39	40	41	42	44	45	48
Color of Wire	R	W/R	G/Y	G/W	L/Y	R/B	R/W	Y/G	W	P	L/R	B
Signal Name [Specification]	BAT (G/B)	SLIDING MOTOR (FORWARD)	RECLINING MOTOR (FORWARD)	FRONT LIFTING MOTOR (DOWNWARD)	REAR LIFTING MOTOR (UPWARD)	REAR LIFTING MOTOR (BACKWARD)	BAT FUSE	FORWARD SW	SLIDING MOTOR (BACKWARD)	RECLINING MOTOR (BACKWARD)	FRONT LIFTING MOTOR (UPWARD)	GND (POWER)



Connector No.	B512
Connector Name	FORWARD SWITCH
Connector Type	S22FW

Terminal No.	32	41
Color of Wire	B/W	Y/G
Signal Name [Specification]	-	-



Terminal No.	32	41
Color of Wire	B/W	Y/G
Signal Name [Specification]	-	-



Connector No.	B513
Connector Name	POWER WALK-IN SWITCH
Connector Type	TK22FBR

Terminal No.	30	32
Color of Wire	P	B/W
Signal Name [Specification]	-	-



Terminal No.	30	32
Color of Wire	P	B/W
Signal Name [Specification]	-	-



Connector No.	B514
Connector Name	SLIDING LIMIT SWITCH
Connector Type	TK22MBF-P

Terminal No.	4	32
Color of Wire	O/B	B/W
Signal Name [Specification]	-	-



Terminal No.	4	32
Color of Wire	O/B	B/W
Signal Name [Specification]	-	-

Connector No.	B524
Connector Name	RECLINING MOTOR
Connector Type	NS22FW-CS

Terminal No.	36	44
Color of Wire	G/Y	P
Signal Name [Specification]	-	-



Terminal No.	36	44
Color of Wire	G/Y	P
Signal Name [Specification]	-	-



Connector No.	B525
Connector Name	SLIDING MOTOR
Connector Type	NS22FW-CS

Terminal No.	36	42
Color of Wire	G/Y	W
Signal Name [Specification]	-	-



Terminal No.	35	42
Color of Wire	W/R	W
Signal Name [Specification]	-	-



JCJWM1156GE

A  
B  
C  
D  
E  
F  
G  
H  
I  
SE  
K  
L  
M  
N  
O  
P

# DRIVER SEAT CONTROL UNIT (WITHOUT AUTOMATIC DRIVE POSITIONER)

< ECU DIAGNOSIS INFORMATION >

## POWER SEAT FOR DRIVER SIDE (WITHOUT AUTOMATIC DRIVE POSITIONER)

Connector No.	B526
Connector Name	SLIDING SENSOR
Connector Type	808B-2241



Terminal No.	Color of Wire	Signal Name [Specification]
16	O	
24	R	
31	GR	

Connector No.	B528
Connector Name	LIFTING MOTOR (FRONT)
Connector Type	NS22FW-CS



Terminal No.	Color of Wire	Signal Name [Specification]
37	G/W	
45	L/R	

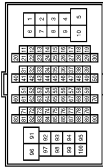
Connector No.	B530
Connector Name	LIFTING MOTOR (REAR)
Connector Type	NS22FW-CS



Terminal No.	Color of Wire	Signal Name [Specification]
38	L/Y	

39	R/B	
----	-----	--

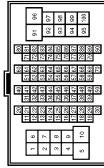
Connector No.	E106
Connector Name	WIRE TO WIRE
Connector Type	TH80PW-CS (8-TM4)



Terminal No.	Color of Wire	Signal Name [Specification]
1	GR	
3	BG	
5	G	
6	BG	
7	LG	
10	W	
11	V	
12	R	
13	L	
14	GR	
15	P	
16	W	
17	V	
18	BG	
19	GR	
20	LG	
30	R	
31	L	
32	BG	
33	P	
34	V	
35	BR	
36	W	
37	Y	
38	R	
39	B	
40	G	
41	W	
42	LG	
43	SB	
44	GR	
45	BG	
46	LG	
47	V	
48	P	



Connector No.	IM6
Connector Name	WIRE TO WIRE
Connector Type	TH80MW-CS (8-TM4)



Terminal No.	Color of Wire	Signal Name [Specification]
1	BG	
3	R	
5	G	
6	L	
7	W	
10	W	
11	R	
12	R	
13	L	
14	GR	
15	P	

16	W	
17	BR	
18	BG	
19	L	
20	L	
30	R	
31	SB	
32	Y	
33	BG	
34	R	
35	BR	
36	SB	
37	Y	
38	LG	
39	SB	
40	P	
41	W	
42	LG	
43	R	
44	Y	
44	P	
45	BG	
46	G	
47	V	
48	P	
49	L	
59	B	
66	GR	
67	P	
68	L	
69	W	
70	BR	
80	L	
81	R	
82	V	
83	W	
84	L	
85	BG	
86	W	
87	G	
88	B	
89	SB	
91	L	
93	Y	
95	Y	
96	R	
97	P	
98	SHIELD	
99	V	
99	SHIELD	
100	SB	

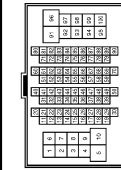
49	L	
59	B	
66	LG	
67	SB	
68	R	
69	W	
70	G	
80	W	
81	P	
82	G	
83	V	
84	L	
85	BG	
86	LG	
87	Y	
88	GR	
89	W	
91	G	
93	GR	
95	Y	
96	Y	
97	BR	
98	SHIELD	
99	L	
100	P	

# DRIVER SEAT CONTROL UNIT (WITHOUT AUTOMATIC DRIVE POSITIONER)

< ECU DIAGNOSIS INFORMATION >

## POWER SEAT FOR DRIVER SIDE (WITHOUT AUTOMATIC DRIVE POSITIONER)

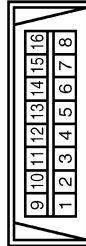
Connector No.	M7
Connector Name	WIRE TO WIRE
Connector Type	TH80MW-CS (E-TM4)



Terminal No.	Color of Wire	Signal Name [Specification]
1	BG	-
2	LG	-
3	BG	-
5	Y	-
6	P	-
7	G	-
8	L	-
9	V	-
10	R	-
14	R	-
15	BR	-
16	P	-
17	V	-
20	L	-
21	P	-
22	L	-
23	P	-
31	L	-
32	P	-
33	LG	-
34	SB	-
35	V	-
36	LG	-
37	SHIELD	-
38	GR	-
40	BR	-
41	Y	-
42	SHIELD	-
43	O	-
44	W	-
45	SHIELD	-
46	R	-
47	G	-
48	SHIELD	-
48	SB	-
51	W	-
52	B	-
53	SB	-

54	V	-
55	Y	-
56	L	-
57	W	-
58	BG	-
60	L	-
61	G	-
62	B	-
63	G	-
64	R	-
65	W	-
66	Y	-
67	SHIELD	-
71	R	-
72	LG	-
73	SB	-
74	V	-
75	LG	-
76	P	-
80	P	-
81	W	-
82	BR	-
95	BG	-

Connector No.	M24
Connector Name	DATA LINK CONNECTOR
Connector Type	BD16FV-P



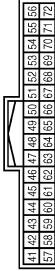
Terminal No.	Color of Wire	Signal Name [Specification]
3	LG	-
4	B	-
5	B	-
6	L	-
7	V	-
8	LG	-
11	SB	-
14	P	-
16	Y	-

Connector No.	M69
Connector Name	CIRCUIT BREAKER
Connector Type	MO2FFV-LC



Terminal No.	Color of Wire	Signal Name [Specification]
1	W	-
2	P	-

Connector No.	M67
Connector Name	UNIFIED METER AND A/C AMP.
Connector Type	TH52FW-NH



Terminal No.	Color of Wire	Signal Name [Specification]
41	L	ACC POWER SUPPLY
42	BR	FUEL LEVEL SENSOR SIGNAL
43	V	INTAKE SENSOR SIGNAL
44	LG	IN-VEHICLE SENSOR SIGNAL
45	V	AMBIENT SENSOR SIGNAL
46	GR	SUNLOAD SENSOR SIGNAL
47	W	GAS SENSOR SIGNAL
53	G	IGNITION POWER SUPPLY
54	Y	BATTERY POWER SUPPLY
55	B	GROUND
56	L	CAN-H
57	LG	BRAKE FLUID LEVEL SWITCH
58	P	FUEL LEVEL SENSOR GROUND
59	Y	INTAKE SENSOR GROUND
60	W	IN-VEHICLE SENSOR GROUND
61	R	AMBIENT SENSOR GROUND
62	SB	SUNLOAD SENSOR GROUND
63	L	ION CONTROL MODE OUTPUT SIGNAL
65	BG	ECV SIGNAL
69	P	A/C/LAN SIGNAL

70	R	EACH DOOR MOTOR POWER SUPPLY
71	GR	GROUND
72	P	CAN-E

A  
B  
C  
D  
E  
F  
G  
H  
I  
SE  
K  
L  
M  
N  
O  
P

# DRIVER SEAT CONTROL UNIT (WITHOUT AUTOMATIC DRIVE POSITIONER)

< ECU DIAGNOSIS INFORMATION >

## POWER SEAT FOR DRIVER SIDE (WITHOUT AUTOMATIC DRIVE POSITIONER)

Connector No.	M122
Connector Name	BCM (BODY CONTROL MODULE)
Connector Type	TH4CFB-NH



1	2	3	4	5	6	7	8	9	10	11	12	13	14	15	16	17	18	19	20	21	22	23	24	25	26	27	28	29	30	31	32	33	34	35	36	37	38	39	40	41	42	43	44	45	46	47	48	49	50	51	52	53	54	55	56	57	58	59	60	61	62	63	64	65	66	67	68	69	70	71	72	73	74	75	76	77	78	79	80	81	82	83	84	85	86	87	88	89	90	91	92	93	94	95	96	97	98	99	100	101	102	103	104	105	106	107	108	109	110	111	112	113	114	115	116	117	118	119	120	121	122	123	124	125	126	127	128	129	130	131	132	133	134	135	136	137	138	139	140	141	142	143	144	145	146	147	148	149	150	151
---	---	---	---	---	---	---	---	---	----	----	----	----	----	----	----	----	----	----	----	----	----	----	----	----	----	----	----	----	----	----	----	----	----	----	----	----	----	----	----	----	----	----	----	----	----	----	----	----	----	----	----	----	----	----	----	----	----	----	----	----	----	----	----	----	----	----	----	----	----	----	----	----	----	----	----	----	----	----	----	----	----	----	----	----	----	----	----	----	----	----	----	----	----	----	----	----	----	----	-----	-----	-----	-----	-----	-----	-----	-----	-----	-----	-----	-----	-----	-----	-----	-----	-----	-----	-----	-----	-----	-----	-----	-----	-----	-----	-----	-----	-----	-----	-----	-----	-----	-----	-----	-----	-----	-----	-----	-----	-----	-----	-----	-----	-----	-----	-----	-----	-----	-----	-----	-----

Connector No.	M123
Connector Name	BCM (BODY CONTROL MODULE)
Connector Type	TH4CFG-NH



1	2	3	4	5	6	7	8	9	10	11	12	13	14	15	16	17	18	19	20	21	22	23	24	25	26	27	28	29	30	31	32	33	34	35	36	37	38	39	40	41	42	43	44	45	46	47	48	49	50	51	52	53	54	55	56	57	58	59	60	61	62	63	64	65	66	67	68	69	70	71	72	73	74	75	76	77	78	79	80	81	82	83	84	85	86	87	88	89	90	91	92	93	94	95	96	97	98	99	100	101	102	103	104	105	106	107	108	109	110	111	112	113	114	115	116	117	118	119	120	121	122	123	124	125	126	127	128	129	130	131	132	133	134	135	136	137	138	139	140	141	142	143	144	145	146	147	148	149	150	151
---	---	---	---	---	---	---	---	---	----	----	----	----	----	----	----	----	----	----	----	----	----	----	----	----	----	----	----	----	----	----	----	----	----	----	----	----	----	----	----	----	----	----	----	----	----	----	----	----	----	----	----	----	----	----	----	----	----	----	----	----	----	----	----	----	----	----	----	----	----	----	----	----	----	----	----	----	----	----	----	----	----	----	----	----	----	----	----	----	----	----	----	----	----	----	----	----	----	----	-----	-----	-----	-----	-----	-----	-----	-----	-----	-----	-----	-----	-----	-----	-----	-----	-----	-----	-----	-----	-----	-----	-----	-----	-----	-----	-----	-----	-----	-----	-----	-----	-----	-----	-----	-----	-----	-----	-----	-----	-----	-----	-----	-----	-----	-----	-----	-----	-----	-----	-----	-----

Terminal No.	Color of Wire	Signal Name [Specification]
72	R	ROOM ANT 2-
73	G	ROOM ANT 2+
74	SB	PASSENGER DOOR ANT-
75	BR	PASSENGER DOOR ANT+
76	V	DRIVER DOOR ANT-
77	LG	DRIVER DOOR ANT+
78	Y	ROOM ANT 1-
79	BR	ROOM ANT 1+
80	GR	MATS ANT AMP-
81	W	MATS ANT AMP+
82	V	IGN RELAY (F/B) CONT
83	Y	KEYLESS ENTRY RECEIVER COMM
87	Y	COMBI SW INPUT 5
88	GR	COMBI SW INPUT 3
89	BR	PUSH SW
90	P	CAN-L
91	L	CAN-H
92	LG	KEY SLOT ILL
93	GR	ON IND
95	EG	ACC RELAY CONT
96	GR	A/T SHIFT SELECTOR POWER SUPPLY
97	L	S/L CONDITION 1
98	EG	S/L CONDITION 2
99	P	SHIFT P. [W/O A/T]
99	R	ICC CLUTCH SW [M/T models with ICC]
99	R	ASCD CLUTCH SW [M/T models without ICC]
100	Y	PASSENGER DOOR REQUEST SW
101	R	DRIVER DOOR REQUEST SW
102	EG	BLOWER FAN MOTOR RELAY CONT
103	LG	KEYLESS ENTRY RECEIVER POWER SUPPLY
106	W	S/L UNIT POWER SUPPLY
107	LG	COMBI SW INPUT 1
108	R	COMBI SW INPUT 4
109	W	COMBI SW INPUT 2
110	G	HAZARD SW
111	Y	S/L UNIT COMM

Terminal No.	Color of Wire	Signal Name [Specification]
112	R	RAIN SENSOR SERIAL LINK
113	EG	OPTICAL SENSOR
114	P	CLUTCH INTERLOCK SW
116	SB	STOP LAMP SW 1
118	BR	STOP LAMP SW 2
119	SB	DR DOOR UNLOCK SENSOR
121	G	KEY SLOT SW
123	W	IGN F/B
124	LG	PASSENGER DOOR SW
129	Y	TRUNK LID OPENER CANCEL SW
132	V	POWER WINDOW SW COMM
133	L	PUSH-BUTTON IGNITION SW/ILL POWER
134	R	LOCK IND
137	EG	RECEIVER / SENSOR GND
138	V	RECEIVER / SENSOR POWER SUPPLY
139	L	TIRE PRESSURE RECEIVER COMM
140	Y	SHIFT N/P
141	P	SECURITY INDICATOR
142	LG	COMBI SW OUTPUT 5
143	V	COMBI SW OUTPUT 1
144	G	COMBI SW OUTPUT 2
145	L	COMBI SW OUTPUT 3
146	SB	COMBI SW OUTPUT 4
149	W	TIRE PRESSURE WARN CHECK SW
150	R	DRIVER DOOR SW
151	G	REAR WINDOW DEFOGGER RELAY CONT

### Fail-Safe

The fail-safe mode may be activated if the following symptoms are observed.

JCJWM1159GE

INFOID:000000005657430



# DRIVER SEAT CONTROL UNIT (WITHOUT AUTOMATIC DRIVE POSITIONER)

## < ECU DIAGNOSIS INFORMATION >

Operating in fail-safe mode	Malfunction Item	Related DTC	Diagnosis
Only manual functions operate normally.	CAN communication*1	U1000	With ADP: <a href="#">ADP-48, "DTC Logic"</a> Without ADP: <a href="#">ADP-48, "DTC Logic"</a>
	Tilt sensor	B2118	<a href="#">ADP-53, "DTC Logic"</a>
	Telescopic sensor	B2119	<a href="#">ADP-56, "DTC Logic"</a>
	Detent switch	B2126	<a href="#">ADP-59, "DTC Logic"</a>
	Parking brake switch	B2127	<a href="#">ADP-61, "DTC Logic"</a>
Only manual functions, except door mirror, operate normally.	UART communication	B2128	<a href="#">ADP-63, "DTC Logic"</a>
Only manual functions, except seat sliding, operate normally.	Seat sliding output*1	B2112	<a href="#">ADP-49, "DTC Logic"</a>
Only manual functions, except seat reclining, operate normally.	Seat reclining output*1	B2113	<a href="#">ADP-51, "DTC Logic"</a>

\*1: Driver seat without automatic driver positioner system display.

## DTC Index

INFOID:000000005657431

CONSULT-III display	Timing*1		Item	Reference page
	Current mal-function	Previous mal-function		
CAN COMM CIRCUIT*2 [U1000]	0	1-39	CAN communication	With ADP: <a href="#">ADP-48, "DTC Logic"</a> Without ADP: <a href="#">ADP-48, "DTC Logic"</a>
SEAT SLIDE*2 [B2112]	0	1-39	Seat slide motor output	With ADP: <a href="#">ADP-49, "DTC Logic"</a> Without ADP: <a href="#">ADP-49, "DTC Logic"</a>
SEAT RECLINING*2 [B2113]	0	1-39	Seat reclining motor output	<a href="#">ADP-51, "DTC Logic"</a>
TILT SENSOR [B2118]	0	1-39	Tilt sensor input	<a href="#">ADP-53, "DTC Logic"</a>
TELESCO SENSOR [B2119]	0	1-39	Telescopic sensor input	<a href="#">ADP-56, "DTC Logic"</a>
DETENT SW [B2126]	0	1-39	Detention switch condition	<a href="#">ADP-59, "DTC Logic"</a>
PARKING BRAKE [B2127]	0	1-39	Parking brake switch condition	<a href="#">ADP-61, "DTC Logic"</a>
UART COMM [B2128]	0	1-39	UART communication	<a href="#">ADP-63, "DTC Logic"</a>

\*1:

# DRIVER SEAT CONTROL UNIT (WITHOUT AUTOMATIC DRIVE POSITIONER)

## < ECU DIAGNOSIS INFORMATION >

---

- 0: Current malfunction is present
  - 1-39: Displayed if any previous malfunction is present when current condition is normal. The numeral value increases by one at each IGN ON to OFF cycle from 1 to 39. The counter remains at 39 even if the number of cycles exceeds it. However, the counter is reset to 1 if any malfunction is detected again, the normal operation is resumed and the ignition switch is turned from OFF to ON.
- \*2: Driver seat without automatic driver positioner system display.

# PASSENGER SEAT CONTROL UNIT

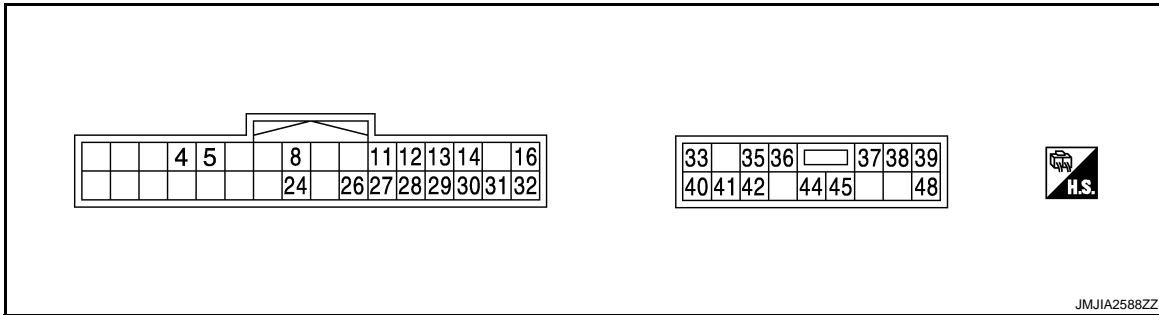
< ECU DIAGNOSIS INFORMATION >

## PASSENGER SEAT CONTROL UNIT

Reference Value

INFOID:000000005657432

### TERMINAL LAYOUT

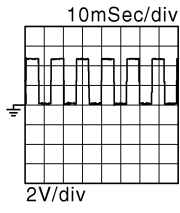


### PHYSICAL VALUES

Terminal No. (Wire color)		Description		Condition	Voltage (V) (Approx.)
(+)	(-)	Signal name	Input/ Output		
4 (O/B)	Ground	Sliding limit switch signal	Input	Seat sliding front edge	0
				Other than above*	5
5 (L)	Ground	Seat belt buckle switch signal (pas- senger side)	Input	Ignition switch OFF and seat belt fas- tened*	5
				Ignition switch ON and seat belt re- leased	Battery voltage
				Other than above	0
8 (LG)	Ground	Passenger side door switch signal	Input	Open	0
				Closed	
11 (BR)	Ground	Sliding switch back- ward signal	Input	Sliding switch	Operate (backward) 0 Release Battery voltage
				Reclining switch	Operate (backward) 0 Release Battery voltage
12 (SB)	Ground	Reclining switch backward signal	Input	Lifting switch (front)	Operate (downward) 0 Release Battery voltage
				Lifting switch (rear)	Operate (downward) 0 Release Battery voltage
16 (O)	Ground	Sensor power supply	Output	—	Battery voltage

# PASSENGER SEAT CONTROL UNIT

## < ECU DIAGNOSIS INFORMATION >

Terminal No. (Wire color)		Description		Condition		Voltage (V) (Approx.)
(+)	(-)	Signal name	Input/ Output			
24 (R)	Ground	Sliding sensor signal	Input	Seat sliding	Operate	 <small>JMJJA0119ZZ</small>
					Stop	
26 (Y)	Ground	Sliding switch forward signal	Input	Sliding switch	Operate (forward)	0
					Release	Battery voltage
27 (R/G)	Ground	Reclining switch forward signal	Input	Reclining switch	Operate (forward)	0
					Release	Battery voltage
28 (W/B)	Ground	Lifting switch (front) upward signal	Input	Seat lifting switch (front)	Operate (upward)	0
					Release	Battery voltage
29 (P/L)	Ground	Lifting switch (rear) upward signal	Input	Seat lifting switch (rear)	Operate (upward)	0
					Release	Battery voltage
30 (P)	Ground	Power walk-in switch signal	Input	Power walk-in switch	Pressed	0
					Other than above	Battery voltage
31 (GR)	Ground	Sensor ground	—	—	—	0
32 (B/W)	Ground	Ground (signal)	—	—	—	0
33 (R)	Ground	Power source (C/B)	Input	—	—	Battery voltage
35 (W/R)	Ground	Sliding motor forward output	Output	Seat sliding	Operate (forward)	Battery voltage
					Release	0
36 (G/Y)	Ground	Reclining motor forward output signal	Output	Seat reclining	Operate (forward)	Battery voltage
					Release	0
37 (G/W)	Ground	Lifting motor (front) downward output	Output	Seat lifting (front)	Operate (downward)	Battery voltage
					Stop	0
38 (L/Y)	Ground	Lifting motor (rear) upward output	Output	Seat lifting (rear)	Operate (upward)	Battery voltage
					Stop	0
39 (R/B)	Ground	Lifting motor (rear) downward output	Output	Seat lifting (rear)	Operate (downward)	Battery voltage
					Stop	0
40 (R/W)	Ground	Power source (Fuse)	Input	—	—	Battery voltage
41 (Y/G)	Ground	Forward switch signal	Input	Seatback is folded down	—	0
				Other than above*	—	5

# PASSENGER SEAT CONTROL UNIT

## < ECU DIAGNOSIS INFORMATION >

Terminal No. (Wire color)		Description		Condition	Voltage (V) (Approx.)	
(+)	(-)	Signal name	Input/ Output			
42 (W)	Ground	Sliding motor back- ward output	Output	Seat sliding	Operate (backward)	Battery voltage
					Stop	0
44 (P)	Ground	Reclining motor backward output	Output	Seat reclining	Operate (backward)	Battery voltage
					Stop	0
45 (L/R)	Ground	Lifting motor (front) upward output	Output	Seat lifting (front)	Operate (upward)	Battery voltage
					Stop	0
48 (B)	Ground	Ground (power)	—	—	0	

\*: Not in the sleep mode.

A  
B  
C  
D  
E  
F  
G  
H  
I  
K  
L  
M  
N  
O  
P

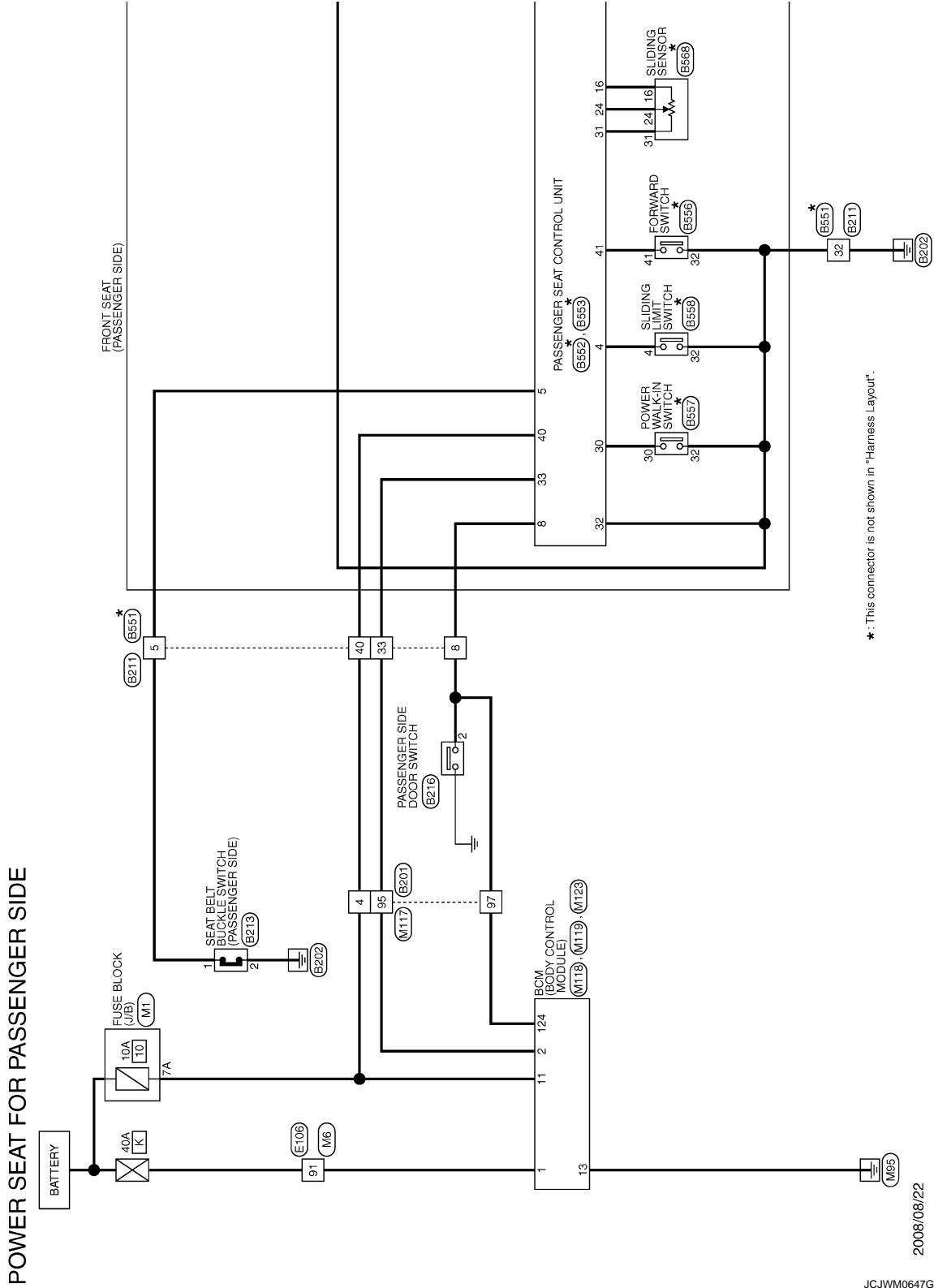
**SE**

# PASSENGER SEAT CONTROL UNIT

< ECU DIAGNOSIS INFORMATION >

## Wiring Diagram - POWER SEAT SYSTEM FOR PASSENGER SIDE -

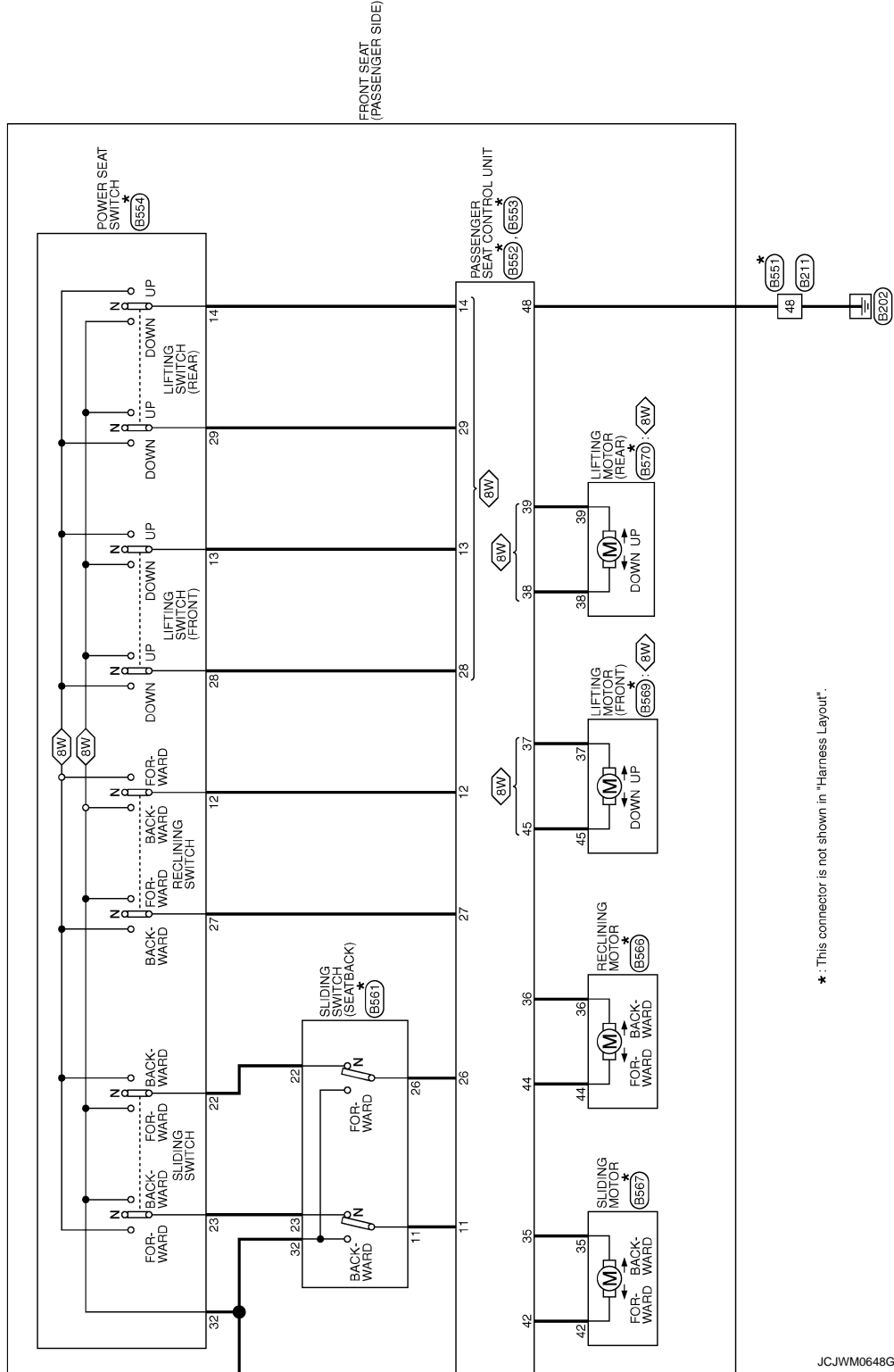
INFOID:000000005657433



# PASSENGER SEAT CONTROL UNIT

< ECU DIAGNOSIS INFORMATION >

⬠8W⬠: With 8-way power passenger's seat



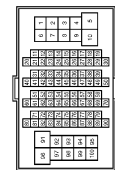
A  
B  
C  
D  
E  
F  
G  
H  
I  
SE  
K  
L  
M  
N  
O  
P

# PASSENGER SEAT CONTROL UNIT

< ECU DIAGNOSIS INFORMATION >

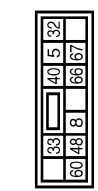
## POWER SEAT FOR PASSENGER SIDE

Connector No.	B201
Connector Name	WIRE TO WIRE
Connector Type	THB07W-CS16-TM4



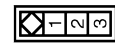
Terminal No.	Color of Wire	Signal Name [Specification]
4	BG	-
5	Y	-
6	R	-
7	V	-
8	LG	-
10	R	-
40	V	-
41	G	-
42	R	-
43	W	-
44	B	-
45	SHIELD	-
46	O	-
47	BR	-
48	Y	-
49	SHIELD	-
50	SB	-
73	GR	-
74	LG	-
75	BG	-
76	V	-
77	SB	-
78	L	-
79	P	-
84	R	-
85	P	-
86	G	-
87	SHIELD	-
88	Y	-
89	G	-
90	SHIELD	-
91	G	-
92	G	-
93	GR	-
94	BG	-
95	W	-
97	BR	-
98	V	-

Connector No.	B211
Connector Name	WIRE TO WIRE
Connector Type	NS12FW-CS



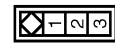
Terminal No.	Color of Wire	Signal Name [Specification]
5	LG	-
8	P	-
32	B	-
33	W	-
40	BG	-
48	B	-
60	G	-
68	GR	-
67	BG	-

Connector No.	B213
Connector Name	SEAT BELT BUCKLE SWITCH (PASSENGER SIDE)
Connector Type	A03FW



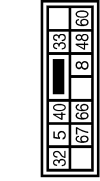
Terminal No.	Color of Wire	Signal Name [Specification]
1	LG	-
2	-	-
3	B	-

Connector No.	B216
Connector Name	PASSENGER SIDE DOOR SWITCH
Connector Type	A03FW



Terminal No.	Color of Wire	Signal Name [Specification]
2	BR	-

Connector No.	B551
Connector Name	WIRE TO WIRE
Connector Type	NS12MW-CS



Terminal No.	Color of Wire	Signal Name [Specification]
5	L	-
8	LG	-
32	B/W	-
33	R	-
40	R/W	-
48	B	-
60	B	-
67	W	-

Connector No.	B552
Connector Name	PASSENGER SEAT CONTROL UNIT
Connector Type	TH22FW



Terminal No.	Color of Wire	Signal Name [Specification]
4	O/B	SLIDING LIMIT SW
5	L	BUCKLE SW
8	LG	DOOR SW
11	BR	SLIDING SW (BACKWARD)
12	SR	RECLINING SW (BACKWARD)
13	L/G/R	FRONT LIFTING SW (DOWNWARD)
14	G/B	REAR LIFTING SW (DOWNWARD)
16	O	POWER SUPPLY FOR SENSOR
24	R	SLIDE PULSE
26	Y	SLIDING SW (FORWARD)
27	R/G	RECLINING SW (FORWARD)
28	W/B	FRONT LIFTING SW (UPWARD)
29	P/L	REAR LIFTING SW (UPWARD)
30	P	POWER WALK-IN SW
31	GR	GND FOR SENSOR
32	B/W	GND (SENSOR)

JCJWM1160GE



# PASSENGER SEAT CONTROL UNIT

< ECU DIAGNOSIS INFORMATION >

## POWER SEAT FOR PASSENGER SIDE

Connector No.	B553
Connector Name	PASSENGER SEAT CONTROL UNIT
Connector Type	NS16FW-CS

33	35	36	37	38	39
40	41	42	44	45	48



Terminal No.	Color of Wire	Signal Name [Specification]
33	R	BAT. (G/B)
35	W/R	SLIDING MOTOR (FORWARD)
36	G/Y	RECLINING MOTOR (FORWARD)
37	G/W	FRONT LIFTING MOTOR (FORWARD)
38	L/Y	REAR LIFTING MOTOR (UPWARD)
38	R/B	REAR LIFTING MOTOR (DOWNWARD)
40	R/W	BAT. (PUSE)
41	Y/G	FORWARD SW
42	W	SLIDING MOTOR (BACKWARD)
44	P	RECLINING MOTOR (BACKWARD)
45	L/R	FRONT LIFTING MOTOR (UPWARD)
48	B	GND (POWER)

Connector No.	B554
Connector Name	POWER SEAT SWITCH
Connector Type	NS10FW-CS

29	14	32
23	22	28
13	27	12



Terminal No.	Color of Wire	Signal Name [Specification]
12	SB	-
13	LG/R	-
14	G/B	-
22	W/G	-
23	O/L	-
27	R/G	-
28	W/B	-
28	P/L	-
32	B/W	-

Connector No.	B556
Connector Name	FORWARD SWITCH
Connector Type	S02FW

41	32
----	----



Terminal No.	Color of Wire	Signal Name [Specification]
32	B/W	-
41	Y/G	-

Connector No.	B557
Connector Name	POWER WALK-IN SWITCH
Connector Type	TK02FER

32	30
----	----



Terminal No.	Color of Wire	Signal Name [Specification]
30	P	-
32	B/W	-

Connector No.	B558
Connector Name	SLIDING LIMIT SWITCH
Connector Type	TK02MER-P

32	4
----	---



Terminal No.	Color of Wire	Signal Name [Specification]
4	O/B	-
32	B/W	-

Connector No.	B561
Connector Name	SLIDING SWITCH (SEAT BACK)
Connector Type	A08FW

23	22	11	26	32
----	----	----	----	----



Terminal No.	Color of Wire	Signal Name [Specification]
11	BR	-
22	W/G	-
23	GR/L	-
26	Y	-
32	B/W	-

Connector No.	B566
Connector Name	RECLINING MOTOR
Connector Type	NS02FW-CS

44	36
----	----



Terminal No.	Color of Wire	Signal Name [Specification]
36	G/Y	-
44	P	-

Connector No.	B567
Connector Name	SLIDING MOTOR
Connector Type	6098-0239

35	42
----	----



Terminal No.	Color of Wire	Signal Name [Specification]
35	W/R	-
42	W	-

Connector No.	B568
Connector Name	SLIDING SENSOR
Connector Type	6098-0241



24	31	16
----	----	----

Terminal No.	Color of Wire	Signal Name [Specification]
16	O	-
24	R	-
31	GR	-

Connector No.	B569
Connector Name	LIFTING MOTOR (FRONT)
Connector Type	NS02FW-CS



45	37
----	----

Terminal No.	Color of Wire	Signal Name [Specification]
37	G/W	-
45	L/R	-

A  
B  
C  
D  
E  
F  
G  
H  
I  
SE  
K  
L  
M  
N  
O  
P

# PASSENGER SEAT CONTROL UNIT

< ECU DIAGNOSIS INFORMATION >

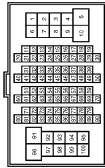
## POWER SEAT FOR PASSENGER SIDE

Connector No.	B570
Connector Name	LIFTING MOTOR (REAR)
Connector Type	NS22FW-CS



Terminal No.	Color of Wire	Signal Name [Specification]
38	L/Y	-
39	R/B	-

Connector No.	E106
Connector Name	WIRE TO WIRE
Connector Type	TH80FW-CS16-TM4



Terminal No.	Color of Wire	Signal Name [Specification]
1	GR	-
3	BG	-
5	G	-
6	BG	-
7	LG	-
10	W	-
11	V	-
12	R	-
13	L	-
14	GR	-
15	P	-
16	W	-
17	V	-
18	BG	-
19	GR	-
20	LG	-
30	R	-
31	L	-
32	BG	-
33	P	-

34	V	-
35	BR	-
36	W	-
37	Y	-
38	R	-
39	B	-
40	G	-
41	W	-
42	LG	-
43	SB	-
44	GR	-
45	BG	-
46	LG	-
47	V	-
48	P	-
49	L	-
59	B	-
66	LG	-
67	SB	-
68	R	-
69	W	-
70	G	-
80	W	-
81	P	-
82	G	-
83	V	-
84	L	-
85	BG	-
86	LG	-
87	Y	-
88	GR	-
89	W	-
91	G	-
93	GR	-
95	Y	-
96	Y	-
97	BR	-
98	SHIELD	-
99	L	-
100	P	-

Connector No.	M1
Connector Name	FUSE BLOCK (U/B)
Connector Type	NS88FW-M2



Terminal No.	Color of Wire	Signal Name [Specification]
1A	V	-
2A	LG	-
3A	L	-
4A	SB	-
5A	L	-
6A	BR	-
7A	R	-
8A	L	-

Connector No.	M6
Connector Name	WIRE TO WIRE
Connector Type	TH80MW-CS16-TM4



Terminal No.	Color of Wire	Signal Name [Specification]
1	BG	-
3	R	-
5	G	-
6	L	-
7	W	-
10	W	-
11	V	-
12	R	-
13	L	-
14	GR	-
15	P	-
16	W	-
17	BR	-
18	BG	-

19	L	-
20	L	-
30	R	-
31	SB	-
32	Y	-
33	BG	-
34	R	-
35	BR	-
36	SB	-
37	Y	-
38	LG	-
39	SB	-
40	P	-
41	W	-
42	LG	-
43	R	-
44	Y	-
45	P	-
46	G	-
47	V	-
48	P	-
49	L	-
59	B	-
66	GR	-
67	P	-
68	L	-
69	W	-
70	BR	-
80	L	-
81	R	-
82	V	-
83	W	-
84	L	-
85	BG	-
86	W	-
87	G	-
88	B	-
89	SB	-
91	L	-
93	Y	-
95	Y	-
96	R	-
97	P	-
98	SHIELD	-
99	V	-
100	SB	-

# PASSENGER SEAT CONTROL UNIT

< ECU DIAGNOSIS INFORMATION >

## POWER SEAT FOR PASSENGER SIDE

Connector No.	M117
Connector Name	WIRE TO WIRE
Connector Type	TH80MW-CS (E-TM4)



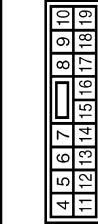
Terminal No.	Color of Wire	Signal Name [Specification]
4	R	-
5	Y	-
6	R	-
7	L	-
8	LG	-
10	R	-
40	W	-
41	W	-
42	B	-
43	R	-
44	G	-
45	SHIELD	-
46	G	-
47	L	-
48	P	-
49	SHIELD	-
50	Y	-
73	Y	-
74	G	-
75	LG	-
76	LG	-
77	SB	-
78	SB	-
79	LG	-
84	R	-
85	V	-
86	G	-
87	SHIELD	-
88	L	-
89	P	-
90	SHIELD	-
91	G	-
92	G	-
93	GR	-
94	SB	-
95	Y	-
97	LG	-
98	Y	-

Connector No.	M118
Connector Name	BCM (BODY CONTROL MODULE)
Connector Type	M03FB-LC



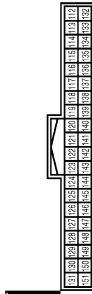
Terminal No.	Color of Wire	Signal Name [Specification]
1	L	BAT (F/L)
2	Y	POWER WINDOW POWER SUPPLY (BAT)
3	BG	POWER WINDOW POWER SUPPLY (RAP)

Connector No.	M119
Connector Name	BCM (BODY CONTROL MODULE)
Connector Type	NS16FW-CS



Terminal No.	Color of Wire	Signal Name [Specification]
4	LG	INTERIOR ROOM LAMP POWER SUPPLY
5	P	PASSENGER DOOR UNLOCK OUTPUT
7	SB	STEP LAMP OUTPUT
8	V	ALL DOOR FUEL LID LOCK OUTPUT
9	G	DRIVER DOOR FUEL LID UNLOCK OUTPUT
11	R	BAT FUSE
13	B	GND
14	W	PUSH-BUTTON IGNITION SW ILL GND
15	BG	ACC IND
17	W	TURN SIGNAL RH (FRONT)
18	BG	TURN SIGNAL LH (FRONT)
19	V	ROOM LAMP TIMER CONTROL

Connector No.	M123
Connector Name	BCM (BODY CONTROL MODULE)
Connector Type	TH40FG-NH



Terminal No.	Color of Wire	Signal Name [Specification]
112	R	RAIN SENSOR SERIAL LINK
113	BG	OPTICAL SENSOR
114	P	CLUTCH INTERLOCK SW
116	SB	STOP LAMP SW 1
118	BR	STOP LAMP SW 2
119	SB	DR DOOR UNLOCK SENSOR
121	G	KEY SLOT SW
124	LG	PASSENGER DOOR SW
129	Y	TRUNK LID OPENER CANCEL SW
132	V	POWER WINDOW SW COMM
139	L	PUSH-BUTTON IGNITION SW ILL POWER
134	R	LOCK IND
137	BG	RECEIVER / SENSOR GND
138	V	RECEIVER / SENSOR POWER SUPPLY
139	L	TIRE PRESSURE RECEIVER COMM
140	Y	SHIFT N/P
141	P	SECURITY INDICATOR
142	LG	COMBI SW OUTPUT 5
143	V	COMBI SW OUTPUT 1
144	G	COMBI SW OUTPUT 2
145	L	COMBI SW OUTPUT 3
146	SB	COMBI SW OUTPUT 4
149	W	TIRE PRESSURE WARN CHECK SW
150	R	DRIVER DOOR SW
151	G	REAR WINDOW DEFOGGER RELAY CONT

JCJWM1163GE

A  
B  
C  
D  
E  
F  
G  
H  
I  
SE  
K  
L  
M  
N  
O  
P

# HEATED SEAT CONTROL UNIT

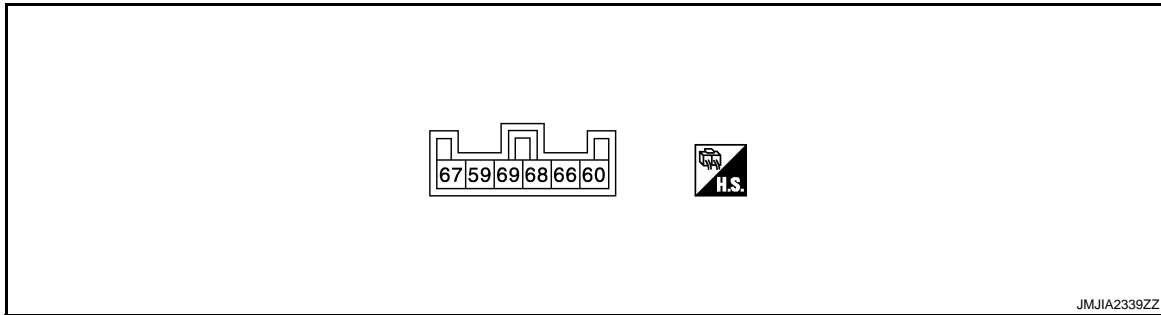
< ECU DIAGNOSIS INFORMATION >

## HEATED SEAT CONTROL UNIT

Reference Value

INFOID:000000005657434

### TERMINAL LAYOUT



### PHYSICAL VALUES

Terminal No. (Wire color)		Description		Condition	Voltage (V) (Approx.)
(+)	(-)	Signal name	Input/ Output		
59 (B)	Ground	Ground	–	Ignition switch ON	0
60 (Y)	Ground	IGN power supply	Input	Ignition switch OFF or ACC	0
				ON	Battery voltage
66 (B)	Ground	Heated seat operation signal	Input	Heated seat Operate	Battery voltage
				Other than above	0
67 (W)	Ground	Heated seat switch signal	Input	Heated seat switch OFF	0
				1 (Min. temperature)	12.24
				2	12.33
				3	12.49
				4	12.63
				5	12.76
68 (R/W)	Ground	Seat cushion heater power supply	Output	Heated seat Operate	0 – Battery voltage*
				Other than above	0
69 (R)	Ground	Heat sensor signal	Input	Heated seat switch OFF	0
				1 (Min. temperature)	10.87 – 11.02*
				2	10.93 – 11.07*
				3	11.04 – 11.17*
				4	11.13 – 11.26*
				5	11.22 – 11.34*
6 (Max. temperature)	11.31 – 11.43*				

\*: Voltage is repeated within the value shown as per the following list depending on heater unit temperature.

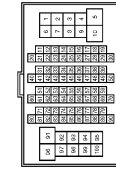


# HEATED SEAT CONTROL UNIT

< ECU DIAGNOSIS INFORMATION >

## HEATED SEAT (WITH M/T)

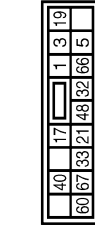
Connector No.	B1
Connector Name	WIRE TO WIRE
Connector Type	TH80FW-CS16-TM4



Terminal No.	Color of Wire	Signal Name [Specification]
1	BG	-
2	G	-
3	W	-
5	Y	-
6	SB	-
7	G	-
8	Y	-
9	GR	-
10	R	-
14	V	-
15	BR	-
16	LG	-
17	W	-
20	L	-
21	P	-
22	L	-
23	P	-
31	L	-
32	P	-
33	LG	-
34	Y	-
35	V	-
36	SB	-
37	SHIELD	-
38	W	-
40	BR	-
41	Y	-
42	SHIELD	-
43	P	-
44	L	-
45	SHIELD	-
46	R	-
47	G	-
48	SHIELD	-
49	SB	-
51	P	-
52	G	-
53	GR	-

54	V	-
55	LG	-
56	GR	-
57	SB	-
58	G	-
60	Y	-
61	L	-
62	BR	-
63	W	-
64	R	-
65	L	-
66	Y	-
67	SHIELD	-
71	V	-
72	GR	-
73	P	-
74	L	-
75	BR	-
76	SB	-
80	Y	-
81	R	-
82	B	-
83	W	-
84	V	-

Connector No.	B11
Connector Name	WIRE TO WIRE
Connector Type	NS16FW-CS



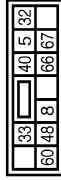
Terminal No.	Color of Wire	Signal Name [Specification]
1	W	-
3	L	-
5	V	-
17	LG	-
19	P	-
21	V	-
32	B	-
33	SB	-
40	BR	-
48	B	-
60	Y	-
66	G	-
67	GR	-

Connector No.	B201
Connector Name	WIRE TO WIRE
Connector Type	TH80FW-CS16-TM4



Terminal No.	Color of Wire	Signal Name [Specification]
4	BG	-
5	Y	-
6	R	-
7	V	-
8	LG	-
10	R	-
40	G	-
41	V	-
42	W	-
43	W	-
44	B	-
45	SHIELD	-
46	O	-
47	BR	-
48	Y	-
49	SHIELD	-
50	SB	-
73	GR	-
74	LG	-
75	BG	-
76	V	-
77	SB	-
78	L	-
79	P	-
84	R	-
85	P	-
86	G	-
87	SHIELD	-
88	Y	-
89	G	-
90	SHIELD	-
91	G	-
92	G	-
93	GR	-
94	BG	-
95	W	-
97	BR	-
98	V	-

Connector No.	B211
Connector Name	WIRE TO WIRE
Connector Type	NS12FW-CS



Terminal No.	Color of Wire	Signal Name [Specification]
5	LG	-
8	P	-
32	B	-
33	W	-
40	BG	-
48	B	-
60	G	-
66	GR	-
67	BG	-

Connector No.	B502
Connector Name	WIRE TO WIRE
Connector Type	NS16MW-CS




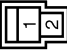

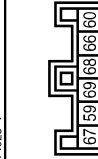






Terminal No.	Color of Wire	Signal Name [Specification]
1	L/W	-
3	R/Y	-
5	L	-
17	Y/R	-
19	V	-
21	L/Y	-
32	B/W	-
33	R	-
40	R/W	-
48	B	-
60	Y	-
66	B	-
67	W	-

# HEATED SEAT CONTROL UNIT

< ECU DIAGNOSIS INFORMATION >

## HEATED SEAT (WITH M/T)

Connector No.	B517	32	B/W	-	Connector No.	B581	WIRE TO WIRE	Terminal No.	1	Color of Wire	-	Signal Name [Specification]	Terminal No.	1	Color of Wire	-	Signal Name [Specification]		
Connector Name	SEAT CUSHION HEATER	33	R	-	Connector Name	WIRE TO WIRE	WIRE TO WIRE	2	2	-	-		2	2	-	-			
Connector Type	S04FW	40	R/W	-	Connector Type	M02FW-LC	M02FW-LC												
		48	B	-															
		60	Y	-															
		66	B	-	Terminal No.	1	Color of Wire	-	Signal Name [Specification]	Terminal No.	1	Color of Wire	-	Signal Name [Specification]	Terminal No.	1	Color of Wire	-	
		68	R/W	-	2	2	-	-		2	2	-	-		2	2	-	-	
		69	R	-	Connector No.	B542	WIRE TO WIRE	Connector No.	B574	SEAT CUSHION HEATER	Connector No.	B528	WIRE TO WIRE	Connector No.	B528	WIRE TO WIRE	Connector No.	B575	HEATED SEAT CONTROL UNIT
					Connector Name	M02MW-LC	M02MW-LC	Connector Name	S04FW	S04FW	Connector Name	M02MW-LC	M02MW-LC	Connector Name	M02MW-LC	M02MW-LC	Connector Name	HEATED SEAT CONTROL UNIT	
					Connector Type	I74923-1	I74923-1	Connector Type	I74923-1	I74923-1	Connector Type	I74923-1	I74923-1	Connector Type	I74923-1	I74923-1	Connector Type	I74923-1	
																			
																			
					Terminal No.	59	B	-	Signal Name [Specification]	Terminal No.	59	B	-	Signal Name [Specification]	Terminal No.	59	B	-	Signal Name [Specification]
					66	B	-	-		66	B	-	-	66	B	-	-	66	B
					68	R/W	-	-		68	R/W	-	-	68	R/W	-	-	68	R/W
					69	R	-	-		69	R	-	-	69	R	-	-	69	R
					Connector No.	B513	HEATED SEAT CONTROL UNIT	Connector No.	B575	HEATED SEAT CONTROL UNIT	Connector No.	B528	WIRE TO WIRE	Connector No.	B528	WIRE TO WIRE	Connector No.	B575	HEATED SEAT CONTROL UNIT
					Connector Name	HEATED SEAT CONTROL UNIT	HEATED SEAT CONTROL UNIT	Connector Name	HEATED SEAT CONTROL UNIT	HEATED SEAT CONTROL UNIT	Connector Name	WIRE TO WIRE	WIRE TO WIRE	Connector Name	WIRE TO WIRE	WIRE TO WIRE	Connector Name	HEATED SEAT CONTROL UNIT	
					Connector Type	I74923-1	I74923-1	Connector Type	I74923-1	I74923-1	Connector Type	I74923-1	I74923-1	Connector Type	I74923-1	I74923-1	Connector Type	I74923-1	
																			
																			
					Terminal No.	59	B	-	Signal Name [Specification]	Terminal No.	59	B	-	Signal Name [Specification]	Terminal No.	59	B	-	Signal Name [Specification]
					60	Y	-	-		60	Y	-	-	60	Y	-	-	60	Y
					66	B	-	-		66	B	-	-	66	B	-	-	66	B
					67	W	-	-		67	W	-	-	67	W	-	-	67	W
					68	R/W	-	-		68	R/W	-	-	68	R/W	-	-	68	R/W
					69	R	-	-		69	R	-	-	69	R	-	-	69	R
					Color of Wire	GROUND	GROUND	Color of Wire	GROUND	Color of Wire	GROUND	GROUND	Color of Wire	GROUND	Color of Wire	GROUND	GROUND	Color of Wire	GROUND
					IGN POWER SUPPLY	IGN POWER SUPPLY	IGN POWER SUPPLY	Color of Wire	IGN POWER SUPPLY	Color of Wire	IGN POWER SUPPLY	IGN POWER SUPPLY	Color of Wire	IGN POWER SUPPLY	Color of Wire	IGN POWER SUPPLY	IGN POWER SUPPLY	Color of Wire	IGN POWER SUPPLY
					HEATED SEAT OPERATION SIGNAL	HEATED SEAT OPERATION SIGNAL	HEATED SEAT OPERATION SIGNAL	Color of Wire	HEATED SEAT OPERATION SIGNAL	Color of Wire	HEATED SEAT OPERATION SIGNAL	HEATED SEAT OPERATION SIGNAL	Color of Wire	HEATED SEAT OPERATION SIGNAL	Color of Wire	HEATED SEAT OPERATION SIGNAL	HEATED SEAT OPERATION SIGNAL	Color of Wire	HEATED SEAT OPERATION SIGNAL
					HEATED SEAT SWITCH SIGNAL	HEATED SEAT SWITCH SIGNAL	HEATED SEAT SWITCH SIGNAL	Color of Wire	HEATED SEAT SWITCH SIGNAL	Color of Wire	HEATED SEAT SWITCH SIGNAL	HEATED SEAT SWITCH SIGNAL	Color of Wire	HEATED SEAT SWITCH SIGNAL	Color of Wire	HEATED SEAT SWITCH SIGNAL	HEATED SEAT SWITCH SIGNAL	Color of Wire	HEATED SEAT SWITCH SIGNAL
					HEATER UNIT POWER SUPPLY	HEATER UNIT POWER SUPPLY	HEATER UNIT POWER SUPPLY	Color of Wire	HEATER UNIT POWER SUPPLY	Color of Wire	HEATER UNIT POWER SUPPLY	HEATER UNIT POWER SUPPLY	Color of Wire	HEATER UNIT POWER SUPPLY	Color of Wire	HEATER UNIT POWER SUPPLY	HEATER UNIT POWER SUPPLY	Color of Wire	HEATER UNIT POWER SUPPLY
					HEAT SENSOR SIGNAL	HEAT SENSOR SIGNAL	HEAT SENSOR SIGNAL	Color of Wire	HEAT SENSOR SIGNAL	Color of Wire	HEAT SENSOR SIGNAL	HEAT SENSOR SIGNAL	Color of Wire	HEAT SENSOR SIGNAL	Color of Wire	HEAT SENSOR SIGNAL	HEAT SENSOR SIGNAL	Color of Wire	HEAT SENSOR SIGNAL
					Connector No.	B551	WIRE TO WIRE	Connector No.	B551	WIRE TO WIRE	Connector No.	INS12MW-GS	INS12MW-GS	Connector No.	B551	WIRE TO WIRE	Connector No.	INS12MW-GS	INS12MW-GS
					Connector Name	WIRE TO WIRE	WIRE TO WIRE	Connector Name	WIRE TO WIRE	WIRE TO WIRE	Connector Name	INS12MW-GS	INS12MW-GS	Connector Name	WIRE TO WIRE	WIRE TO WIRE	Connector Name	INS12MW-GS	INS12MW-GS
					Connector Type	INS12MW-GS	INS12MW-GS	Connector Type	INS12MW-GS	INS12MW-GS	Connector Type	INS12MW-GS	INS12MW-GS	Connector Type	INS12MW-GS	INS12MW-GS	Connector Type	INS12MW-GS	INS12MW-GS
																			
																			
					Terminal No.	5	L	-	Signal Name [Specification]	Terminal No.	5	L	-	Signal Name [Specification]	Terminal No.	5	L	-	Signal Name [Specification]
					8	L/G	-	-		8	L/G	-	-	8	L/G	-	-	8	L/G

JCJWM1174GB

A  
B  
C  
D  
E  
F  
G  
H  
I  
SE  
K  
L  
M  
N  
O  
P

# HEATED SEAT CONTROL UNIT

## < ECU DIAGNOSIS INFORMATION >

### HEATED SEAT (WITH M/T)

Connector No.	E106
Connector Name	WIRE TO WIRE
Connector Type	TH80FY-CS16-TM4



Terminal No.	Color of Wire	Signal Name [Specification]
1	GR	-
2	GR	-
3	BG	-
4	G	-
5	G	-
6	BG	-
7	LG	-
8	Y	-
9	W	-
10	W	-
11	V	-
12	R	-
13	L	-
14	GR	-
15	P	-
16	W	-
17	V	-
18	BG	-
19	GR	-
20	LG	-
30	R	-
31	L	-
32	BG	-
33	P	-
34	V	-
35	BR	-
36	W	-
37	Y	-
38	R	-
39	B	-
40	G	-
41	W	-
42	LG	-
43	SB	-
44	GR	-
45	BG	-
46	LG	-
47	V	-
48	P	-
49	L	-
50	B	-
68	LG	-

67	SB	-
68	R	-
69	W	-
70	G	-
80	W	-
81	P	-
82	G	-
83	V	-
84	L	-
85	BG	-
86	LG	-
87	Y	-
88	GR	-
89	W	-
91	G	-
93	GR	-
95	G	-
96	Y	-
97	BR	-
98	SHIELD	-
99	L	-
100	P	-

Connector No.	M1
Connector Name	FUSE BLOCK (J/B)
Connector Type	NS06FY-M2



Terminal No.	Color of Wire	Signal Name [Specification]
1A	V	-
2A	LG	-
3A	L	-
4A	SB	-
5A	L	-
6A	BR	-
7A	R	-
8A	L	-

Connector No.	M6
Connector Name	WIRE TO WIRE
Connector Type	TH80MW-CS16-TM4



Terminal No.	Color of Wire	Signal Name [Specification]
1	BG	-
3	R	-
5	G	-
6	L	-
7	W	-
10	W	-
11	V	-
12	R	-
13	L	-
14	GR	-
15	P	-
16	W	-
17	BR	-
18	BG	-
19	L	-
20	L	-
30	R	-
31	SB	-
32	Y	-
33	BG	-
34	R	-
35	BR	-
36	SB	-
37	Y	-
38	LG	-
39	SB	-
40	P	-
41	W	-
42	LG	-
43	R	-
44	Y	- [With A/T]
44	P	- [With M/T]
45	BG	-
46	G	-
47	V	-
48	P	-
49	L	-
50	B	-

66	GR	-
67	P	-
68	L	-
69	W	-
70	BR	-
80	L	-
81	R	-
82	V	-
83	W	-
84	L	-
85	BG	-
86	W	-
87	G	-
88	B	-
89	SB	-
91	L	-
93	Y	-
95	Y	-
96	R	-
97	P	-
98	SHIELD	-
99	V	-
100	SB	-



# HEATED SEAT CONTROL UNIT

< ECU DIAGNOSIS INFORMATION >

## HEATED SEAT (WITH M/T)

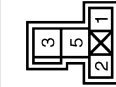
Connector No.	M7
Connector Name	WIRE TO WIRE
Connector Type	TH80MW-CS16-TM4



Terminal No.	Color of Wire	Signal Name [Specification]
1	BG	-
2	LG	-
3	BG	-
5	Y	-
6	P	-
7	G	-
8	L	-
9	V	-
10	R	-
14	R	-
15	BR	-
16	P	-
17	V	-
20	L	-
21	P	-
22	L	-
23	P	-
31	L	-
32	P	-
33	LG	-
34	SB	-
36	V	-
38	LG	-
37	SHIELD	-
38	GR	-
40	BR	-
41	Y	-
42	SHIELD	-
43	O	-
44	W	-
45	SHIELD	-
46	R	-
47	G	-
48	SHIELD	-
49	SB	-
51	W	-
52	B	-
53	SB	-

54	V	-
55	Y	-
56	L	-
57	W	-
58	BG	-
60	L	-
61	G	-
62	B	-
63	G	-
64	R	-
65	W	-
66	Y	-
67	SHIELD	-
71	R	-
72	LG	-
73	SB	-
74	V	-
75	LG	-
76	P	-
80	P	-
81	W	-
82	BR	-
95	BG	-

Connector No.	M70
Connector Name	HEATED SEAT RELAY
Connector Type	MS02FL-M2-LC



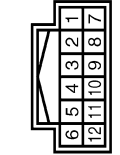
Terminal No.	Color of Wire	Signal Name [Specification]
1	B	-
2	G	-
3	G	-
5	L	-

Connector No.	M117
Connector Name	WIRE TO WIRE
Connector Type	TH80MW-CS16-TM4



Terminal No.	Color of Wire	Signal Name [Specification]
4	R	-
5	R	-
6	R	-
7	L	-
8	LG	-
10	R	-
40	W	-
41	W	-
42	B	-
43	R	-
44	G	-
45	SHIELD	-
46	G	-
47	L	-
48	P	-
49	SHIELD	-
50	Y	-
73	Y	-
74	G	-
75	LG	-
76	LG	-
77	SB	-
78	SB	-
79	LG	-
84	R	-
85	V	-
86	G	-
87	SHIELD	-
88	L	-
89	P	-
90	SHIELD	-
91	G	-
92	G	-
93	GR	-
94	SB	-
95	Y	-
97	LG	-
98	V	-

Connector No.	M138
Connector Name	WIRE TO WIRE
Connector Type	TH12FW-NH



Terminal No.	Color of Wire	Signal Name [Specification]
1	L	-
2	V	-
3	G	-
4	P	-
5	B	-
6	W	-
7	B	-
8	V	-
9	W	-
10	GR	-
11	B	-
12	SB	-

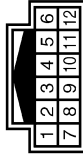
A  
B  
C  
D  
E  
F  
G  
H  
I  
SE  
K  
L  
M  
N  
O  
P

# HEATED SEAT CONTROL UNIT

< ECU DIAGNOSIS INFORMATION >

## HEATED SEAT (WITH M/T)

Connector No.	M174
Connector Name	WIRE TO WIRE
Connector Type	TH12MW-NH



Terminal No.	Color of Wire	Signal Name [Specification]
1	L	-
2	GR	-
3	W	-
4	G	-
5	O	-
6	P	-
7	B	-
8	R	-
9	LG	-
10	Y	-
11	V	-
12	SB	-

Connector No.	M175
Connector Name	HEATED SEAT SWITCH (DRIVER SIDE)
Connector Type	TK10FW



Terminal No.	Color of Wire	Signal Name [Specification]
1	L	-
2	GR	-
3	R	-
4	LG	-
5	B	-

Connector No.	M176
Connector Name	HEATED SEAT SWITCH (PASSENGER SIDE)
Connector Type	TK03FBR



Terminal No.	Color of Wire	Signal Name [Specification]
1	Y	-
2	SB	-
3	G	-
4	O	-
5	P	-
6	V	-

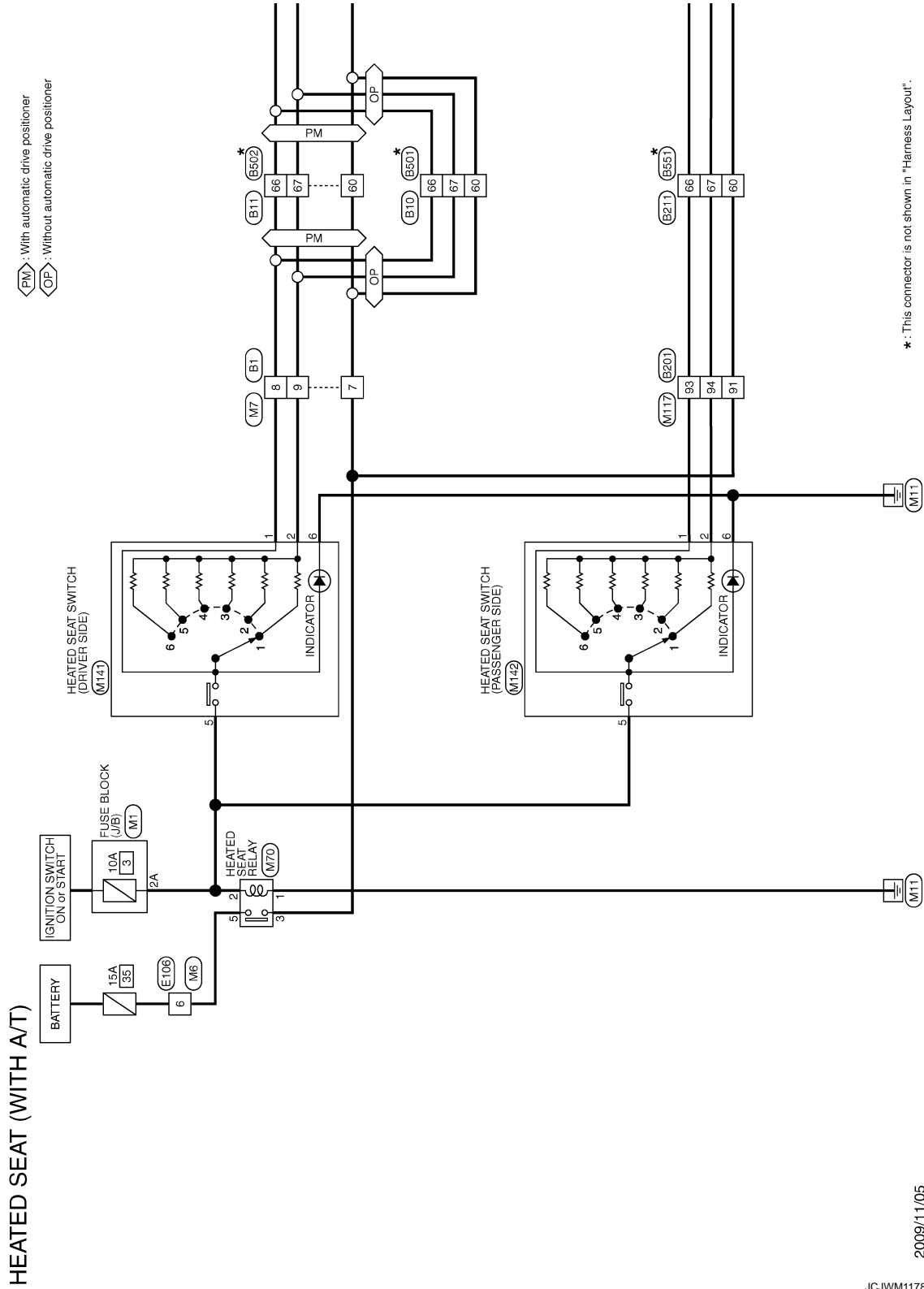
JCJWM1177GE

# HEATED SEAT CONTROL UNIT

< ECU DIAGNOSIS INFORMATION >

## Wiring Diagram - HEATED SEAT SYSTEM (WITH A/T) -

INFOID:000000005657436

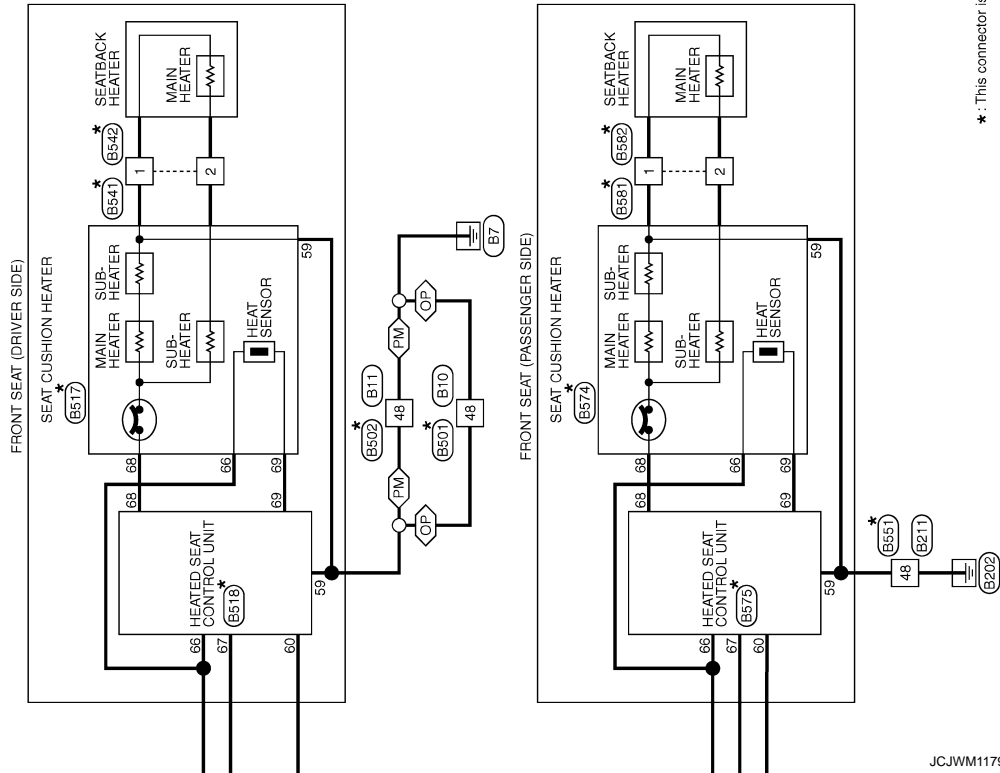


A  
B  
C  
D  
E  
F  
G  
H  
I  
SE  
K  
L  
M  
N  
O  
P

# HEATED SEAT CONTROL UNIT

< ECU DIAGNOSIS INFORMATION >

EM : With automatic drive positioner  
 OP : Without automatic drive positioner



\*: This connector is not shown in "Harness Layout".

JCJWM1179GE

# HEATED SEAT CONTROL UNIT

< ECU DIAGNOSIS INFORMATION >

## HEATED SEAT (WITH A/T)

Connector No.	B1
Connector Name	WIRE TO WIRE
Connector Type	TH80FW-CS16-TM4



Terminal No.	Color of Wire	Signal Name [Specification]
1	BG	-
2	G	-
3	W	-
5	Y	-
6	SB	-
7	G	-
8	Y	-
9	GR	-
10	R	-
14	V	-
15	BR	-
16	LG	-
17	W	-
20	L	-
21	P	-
22	L	-
23	P	-
31	L	-
32	P	-
33	LG	-
34	Y	-
36	V	-
38	SB	-
37	SHIELD	-
38	W	-
40	BR	-
41	Y	-
42	SHIELD	-
43	P	-
44	L	-
45	SHIELD	-
46	R	-
47	G	-
48	SHIELD	-
48	SB	-
51	P	-
52	G	-
53	GR	-

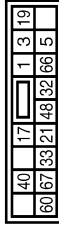
54	V	-
55	LG	-
56	GR	-
57	SB	-
58	G	-
60	Y	-
61	L	-
62	BR	-
63	W	-
64	R	-
65	L	-
66	Y	-
67	SHIELD	-
71	V	-
72	GR	-
73	P	-
74	L	-
75	BR	-
76	SB	-
80	Y	-
81	R	-
82	B	-
95	V	-

Connector No.	B10
Connector Name	WIRE TO WIRE
Connector Type	NS12FW-CS



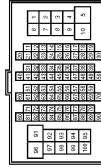
Terminal No.	Color of Wire	Signal Name [Specification]
3	L	-
5	V	-
19	P	-
32	B	-
33	SB	-
40	G	-
48	B	-
60	G	-
66	Y	-
67	GR	-

Connector No.	B11
Connector Name	WIRE TO WIRE
Connector Type	NS18FW-CS



Terminal No.	Color of Wire	Signal Name [Specification]
1	W	-
3	L	-
5	V	-
17	LG	-
19	P	-
21	V	-
32	B	-
33	SB	-
40	BR	-
48	B	-
60	G	-
66	Y	-
67	GR	-

Connector No.	B201
Connector Name	WIRE TO WIRE
Connector Type	TH80FW-CS16-TM4



Terminal No.	Color of Wire	Signal Name [Specification]
4	BG	-
5	Y	-
6	R	-
7	V	-
8	LG	-
10	R	-
40	V	-
41	G	-
42	R	-

43	W	-
44	B	-
45	SHIELD	-
46	O	-
47	BR	-
48	Y	-
49	SHIELD	-
50	SB	-
73	GR	-
74	LG	-
75	BG	-
76	V	-
77	SB	-
78	L	-
79	P	-
84	R	-
85	P	-
86	G	-
87	SHIELD	-
88	Y	-
89	G	-
90	SHIELD	-
91	G	-
92	G	-
93	GR	-
94	BG	-
95	W	-
97	BR	-
98	V	-

A  
B  
C  
D  
E  
F  
G  
H  
I  
SE  
K  
L  
M  
N  
O  
P

# HEATED SEAT CONTROL UNIT

< ECU DIAGNOSIS INFORMATION >

## HEATED SEAT (WITH A/T)

Connector No.	B211
Connector Name	WIRE TO WIRE
Connector Type	NS12FW-CS

33	40	5	32
60	48	8	66
67	66	67	



Terminal No.	Color of Wire	Signal Name [Specification]
5	LG	-
8	P	-
32	B	-
33	W	-
40	BG	-
48	B	-
60	G	-
66	GR	-
67	BG	-

Connector No.	B501
Connector Name	WIRE TO WIRE
Connector Type	NS12MW-CS

33	5	66
40	67	32
48	3	19
	48	60



Terminal No.	Color of Wire	Signal Name [Specification]
3	R/Y	-
5	L	-
19	Y	-
32	B/W	-
33	R	-
40	R/W	-
48	B	-
60	Y	-
66	B	-
67	W	-

Connector No.	B502
Connector Name	WIRE TO WIRE
Connector Type	NS16MW-CS

19	3	1	17	40
5	66	32	48	21
	33	67	60	



Terminal No.	Color of Wire	Signal Name [Specification]
1	L/W	-
3	R/Y	-
5	L	-
17	Y/R	-
19	V	-
21	L/Y	-
32	B/W	-
33	R	-
40	R/W	-
48	B	-
60	Y	-
66	B	-
67	W	-

Connector No.	B517
Connector Name	SEAT CUSHION HEATER
Connector Type	S04FW

66	59
68	69



Terminal No.	Color of Wire	Signal Name [Specification]
59	B	-
66	B	-
68	R/W	-
69	R	-

Connector No.	B518
Connector Name	HEATED SEAT CONTROL UNIT
Connector Type	T74B23-1

67	59	69	68	66	60
----	----	----	----	----	----



Terminal No.	Color of Wire	Signal Name [Specification]
59	B	GROUND
60	Y	IGN POWER SUPPLY
66	B	HEATED SEAT OPERATION SIGNAL
67	W	HEATED SEAT SWITCH SIGNAL
68	R/W	HEATER UNIT POWER SUPPLY
69	R	HEAT SENSOR SIGNAL

Connector No.	B541
Connector Name	WIRE TO WIRE
Connector Type	M02FW-LC

1	2
---	---



Terminal No.	Color of Wire	Signal Name [Specification]
1	-	-
2	-	-

Connector No.	B542
Connector Name	WIRE TO WIRE
Connector Type	M02MW-LC

1	2
---	---



Terminal No.	Color of Wire	Signal Name [Specification]
1	-	-
2	-	-

Connector No.	B551
Connector Name	WIRE TO WIRE
Connector Type	NS12MW-CS



32	5	40
67	66	8
	48	60

Terminal No.	Color of Wire	Signal Name [Specification]
5	L	-
8	LG	-
32	B/W	-
33	R	-
40	R/W	-
48	B	-
60	Y	-
66	B	-
67	W	-

Connector No.	B574
Connector Name	SEAT CUSHION HEATER
Connector Type	S04FW



66	59
68	69

Terminal No.	Color of Wire	Signal Name [Specification]
59	B	-
66	B	-
68	R/W	-
69	R	-

# HEATED SEAT CONTROL UNIT

< ECU DIAGNOSIS INFORMATION >

## HEATED SEAT (WITH A/T)

Connector No.	B575
Connector Name	HEATED SEAT CONTROL UNIT
Connector Type	17823-1



Terminal No.	Color of Wire	Signal Name [Specification]
59	B	GROUND
60	Y	IGN POWER SUPPLY
66	B	HEATED SEAT OPERATION SIGNAL
67	W	HEATED SEAT SWITCH SIGNAL
68	R/W	HEATER UNIT POWER SUPPLY
69	R	HEAT SENSOR SIGNAL

Connector No.	B581
Connector Name	WIRE TO WIRE
Connector Type	M02PW-LC



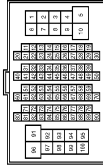
Terminal No.	Color of Wire	Signal Name [Specification]
1	-	-
2	-	-

Connector No.	B582
Connector Name	WIRE TO WIRE
Connector Type	M02MW-LC



Terminal No.	Color of Wire	Signal Name [Specification]
1	-	-
2	-	-

Connector No.	E108
Connector Name	WIRE TO WIRE
Connector Type	TH80PW-CS16-TM4



Terminal No.	Color of Wire	Signal Name [Specification]
1	GR	-
3	BG	-
5	G	-
6	BG	-
7	LG	-
10	W	-
11	V	-
12	R	-
13	L	-
14	GR	-
15	P	-
16	W	-
17	V	-
18	BG	-
19	GR	-
20	LG	-
30	R	-
31	L	-
32	BG	-
33	P	-
34	V	-
35	BR	-
36	W	-
37	Y	-
38	R	-
39	B	-
40	G	-
41	W	-
42	LG	-
43	SB	-
44	GR	-
45	BG	-

46	LG	-
47	V	-
48	P	-
49	L	-
59	B	-
60	LG	-
67	SB	-
68	R	-
69	W	-
70	G	-
80	W	-
81	P	-
82	G	-
83	V	-
84	L	-
85	BG	-
86	LG	-
87	Y	-
88	GR	-
89	W	-
91	G	-
93	GR	-
95	Y	-
96	Y	-
97	BR	-
98	SHIELD	-
99	L	-
100	P	-

Connector No.	M1
Connector Name	FUSE BLOCK (J/E)
Connector Type	NS08PW-M2



Terminal No.	Color of Wire	Signal Name [Specification]
1A	V	-
2A	LG	-
3A	L	-
4A	SB	-
5A	L	-
6A	BR	-
7A	R	-
8A	L	-

A  
B  
C  
D  
E  
F  
G  
H  
I  
SE  
K  
L  
M  
N  
O  
P

# HEATED SEAT CONTROL UNIT

## < ECU DIAGNOSIS INFORMATION >

### HEATED SEAT (WITH A/T)

Connector No.	M6
Connector Name	WIRE TO WIRE
Connector Type	TH80MW-CS16-TM4



Terminal No.	Color of Wire	Signal Name [Specification]
1	BG	
3	R	
5	G	
6	L	
7	W	
10	W	
11	Y	
12	R	
13	L	
14	GR	
15	P	
16	W	
17	BR	
18	BG	
19	L	
20	L	
30	R	
31	SB	
32	Y	
33	BG	
34	R	
35	BR	
36	SB	
37	Y	
38	LG	
39	SB	
40	P	
41	W	
42	LG	
43	R	
44	Y	- [With A/T]
44	P	- [With M/T]
45	BG	
46	G	
47	V	
48	P	
48	L	
48	P	
58	B	

66	GR	
67	P	
68	L	
68	W	
70	BR	
80	L	
81	R	
82	V	
83	W	
84	L	
85	BG	
86	W	
87	G	
88	B	
89	SB	
91	L	
93	Y	
95	Y	
96	R	
97	P	
98	SHIELD	
99	V	
100	SB	

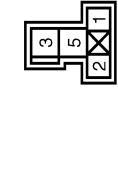
Connector No.	M7
Connector Name	WIRE TO WIRE
Connector Type	TH80MW-CS16-TM4



Terminal No.	Color of Wire	Signal Name [Specification]
1	BG	
2	LG	
3	BG	
5	Y	
6	P	
7	G	
8	L	
9	V	
10	R	
14	R	
15	BR	
16	P	
17	V	

20	L	
21	P	
22	L	
22	P	
31	L	
32	P	
33	LG	
34	SB	
35	V	
36	LG	
37	SHIELD	
38	GR	
40	BR	
41	Y	
42	SHIELD	
43	O	
44	W	
45	SHIELD	
46	R	
47	G	
48	SHIELD	
48	SB	
51	W	
52	B	
53	SB	
54	V	
55	Y	
56	L	
57	W	
58	BG	
60	L	
61	G	
62	B	
63	G	
64	R	
65	W	
66	W	
68	Y	
87	SHIELD	
71	R	
72	LG	
73	SB	
74	V	
75	LG	
76	P	
80	P	
81	W	
82	BR	
95	BG	

Connector No.	M70
Connector Name	HEATED SEAT RELAY
Connector Type	MS20FL-M2-LC



Terminal No.	Color of Wire	Signal Name [Specification]
1	B	
2	G	
3	G	
5	L	



# HEATED SEAT CONTROL UNIT

< ECU DIAGNOSIS INFORMATION >

A  
B  
C  
D  
E  
F  
G  
H  
I  
SE  
K  
L  
M  
N  
O  
P

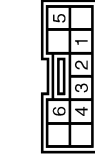
## HEATED SEAT (WITH A/T)

Connector No.	M117
Connector Name	WIRE TO WIRE
Connector Type	TH80MW-CS (E-TM4)



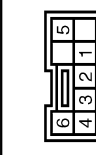
Terminal No.	Color of Wire	Signal Name [Specification]
4	R	-
5	Y	-
6	R	-
7	L	-
8	LG	-
10	R	-
40	W	-
41	W	-
42	B	-
43	R	-
44	G	-
45	SHIELD	-
46	G	-
47	L	-
48	P	-
49	SHIELD	-
50	Y	-
73	Y	-
74	G	-
75	LG	-
76	LG	-
77	SB	-
78	SB	-
79	LG	-
84	R	-
85	V	-
86	G	-
87	SHIELD	-
88	L	-
89	P	-
90	SHIELD	-
91	G	-
92	G	-
93	GR	-
94	SB	-
95	Y	-
97	LG	-
98	Y	-

Connector No.	M141
Connector Name	HEATED SEAT SWITCH (DRIVER SIDE)
Connector Type	TK10P1W



Terminal No.	Color of Wire	Signal Name [Specification]
1	L	-
2	V	-
3	V	-
4	W	-
5	G	-
6	B	-

Connector No.	M142
Connector Name	HEATED SEAT SWITCH (PASSENGER SIDE)
Connector Type	TK08FBR



Terminal No.	Color of Wire	Signal Name [Specification]
1	GR	-
2	SB	-
3	P	-
4	B	-
5	W	-
6	B	-

# ALL COMPONENTS OF POWER SEAT DO NOT OPERATE

< SYMPTOM DIAGNOSIS >

## SYMPTOM DIAGNOSIS

### ALL COMPONENTS OF POWER SEAT DO NOT OPERATE DRIVER SIDE

#### DRIVER SIDE : Diagnosis Procedure

INFOID:000000005657437

#### 1. CHECK POWER SUPPLY CIRCUIT AND GROUND CIRCUIT

Check power supply circuit and ground circuit.

Refer to [SE-35. "DRIVER SEAT CONTROL UNIT : Diagnosis Procedure"](#).

Is the inspection result normal?

YES >> GO TO 2.

NO >> Repair or replace the malfunctioning parts.

#### 2. CHECK POWER SEAT SWITCH GROUND CIRCUIT

Check power seat switch ground circuit.

Refer to [SE-59. "DRIVER SIDE : Diagnosis Procedure"](#).

Is the inspection result normal?

YES >> GO TO 3.

NO >> Repair or replace the malfunctioning parts.

#### 3. CONFIRM THE OPERATION

Check the operation again.

Is the result normal?

YES >> Check intermittent incident. Refer to [GI-38. "Intermittent Incident"](#).

NO >> GO TO 1.

### PASSENGER SIDE

#### PASSENGER SIDE : Diagnosis Procedure

INFOID:000000005657438

#### 1. CHECK POWER SUPPLY AND GROUND CIRCUIT

Check power supply and ground circuit.

Refer to [SE-35. "PASSENGER SEAT CONTROL UNIT : Diagnosis Procedure"](#).

Is the inspection result normal?

YES >> GO TO 2.

NO >> Repair or replace the malfunctioning parts.

#### 2. CHECK POWER SEAT SWITCH GROUND CIRCUIT

Check power seat switch ground circuit.

Refer to [SE-59. "PASSENGER SIDE : Diagnosis Procedure"](#).

Is the inspection result normal?

YES >> GO TO 3.

NO >> Repair or replace the malfunctioning parts.

#### 3. CONFIRM THE OPERATION

Check the operation again.

Is the result normal?

YES >> Check intermittent incident. Refer to [GI-38. "Intermittent Incident"](#).

NO >> GO TO 1.

# POWER SEAT SWITCH (PASSENGER SIDE) DOES NOT OPERATE ANY COMPONENTS

< SYMPTOM DIAGNOSIS >

## POWER SEAT SWITCH (PASSENGER SIDE) DOES NOT OPERATE ANY COMPONENTS

### Diagnosis Procedure

INFOID:000000005657439

#### 1. CHECK POWER SEAT SWITCH GROUND CIRCUIT

Check power seat switch ground circuit.

Refer to [SE-59, "PASSENGER SIDE : Diagnosis Procedure"](#).

Is the inspection result normal?

YES >> GO TO 2.

NO >> Repair or replace the malfunctioning parts.

#### 2. CONFIRM THE OPERATION

Check the operation again.

Is the result normal?

YES >> Check intermittent incident. Refer to [GI-38, "Intermittent Incident"](#).

NO >> GO TO 1.

A  
B  
C  
D  
E  
F  
G  
H  
I  
K  
L  
M  
N  
O  
P

SE

# SLIDING FUNCTION DOES NOT OPERATE

< SYMPTOM DIAGNOSIS >

---

## SLIDING FUNCTION DOES NOT OPERATE

### DRIVER SIDE

#### DRIVER SIDE : Diagnosis Procedure

INFOID:000000005657440

---

#### 1.CHECK SLIDING MECHANISM

Check for the following.

- Mechanism deformation or pinched foreign materials.
- Interference with other parts because of poor installation.

Is the inspection result normal?

YES >> GO TO 2.

NO >> Repair or replace the malfunctioning parts.

---

#### 2.CHECK SLIDING SWITCH

Check sliding switch.

Refer to [SE-41, "DRIVER SIDE : Component Function Check"](#).

Is the inspection result normal?

YES >> GO TO 3.

NO >> Repair or replace the malfunctioning parts.

---

#### 3.CHECK SLIDING MOTOR

Check sliding motor.

Refer to [SE-84, "DRIVER SIDE : Component Function Check"](#).

Is the inspection result normal?

YES >> GO TO 4.

NO >> Repair or replace the malfunctioning parts.

---

#### 4.CONFIRM THE OPERATION

Check the operation again.

Is the result normal?

YES >> Check intermittent incident. Refer to [GI-38, "Intermittent Incident"](#).

NO >> GO TO 1.

### PASSENGER SIDE

#### PASSENGER SIDE : Diagnosis Procedure

INFOID:000000005657441

---

#### 1.CHECK SLIDING OPERATION

Check sliding operation.

Which sliding switch is malfunctioning?

Both sides>>GO TO 2.

Seatback side>>GO TO 4.

Power seat switch side>>GO TO 5.

---

#### 2.CHECK SLIDING MECHANISM

Check for the following.

- Mechanism deformation or pinched foreign materials.
- Interference with other parts because of poor installation.

Is the inspection result normal?

YES >> GO TO 3.

NO >> Repair or replace the malfunctioning parts.

---

#### 3.CHECK SLIDING MOTOR

Check sliding motor.

Refer to [SE-85, "PASSENGER SIDE : Component Function Check"](#).

Is the inspection result normal?

## SLIDING FUNCTION DOES NOT OPERATE

### < SYMPTOM DIAGNOSIS >

---

YES >> GO TO 4.

NO >> Repair or replace the malfunctioning parts.

### 4.CHECK SLIDING SWITCH (SEATBACK)

---

Check sliding switch (seatback).

Refer to [SE-44. "SEATBACK : Component Function Check"](#).

Is the inspection result normal?

YES >> GO TO 6.

NO >> Repair or replace the malfunctioning parts.

### 5.CHECK SLIDING SWITCH

---

Check sliding switch.

Refer to [SE-42. "PASSENGER SIDE : Component Function Check"](#).

Is the inspection result normal?

YES >> GO TO 6.

NO >> Repair or replace the malfunctioning parts.

### 6.CONFIRM THE OPERATION

---

Check the operation again.

Is the result normal?

YES >> Check intermittent incident. Refer to [GI-38. "Intermittent Incident"](#).

NO >> GO TO 1.

A

B

C

D

E

F

G

H

I

SE

K

L

M

N

O

P

# RECLINING FUNCTION DOES NOT OPERATE

< SYMPTOM DIAGNOSIS >

---

## RECLINING FUNCTION DOES NOT OPERATE

### DRIVER SIDE

#### DRIVER SIDE : Diagnosis Procedure

INFOID:000000005657442

---

#### 1.CHECK RECLINING MECHANISM

Check for the following.

- Mechanism deformation or pinched foreign materials.
- Interference with other parts because of poor installation.

Is the inspection result normal?

YES >> GO TO 2.

NO >> Repair or replace the malfunctioning parts.

---

#### 2.CHECK RECLINING SWITCH

Check reclining switch.

Refer to [SE-47, "DRIVER SIDE : Component Function Check"](#).

Is the inspection result normal?

YES >> GO TO 3.

NO >> Repair or replace the malfunctioning parts.

---

#### 3.CHECK FORWARD SWITCH

Check forward switch.

Refer to [SE-61, "DRIVER SIDE : Component Function Check"](#).

Is the inspection result normal?

YES >> GO TO 4.

NO >> Repair or replace the malfunctioning parts.

---

#### 4.CHECK RECLINING MOTOR

Check reclining motor.

Refer to [SE-88, "DRIVER SIDE : Component Function Check"](#).

Is the inspection result normal?

YES >> GO TO 5.

NO >> Repair or replace the malfunctioning parts.

---

#### 5.CONFIRM THE OPERATION

Check the operation again.

Is the result normal?

YES >> Check intermittent incident. Refer to [GI-38, "Intermittent Incident"](#).

NO >> GO TO 1.

### PASSENGER SIDE

#### PASSENGER SIDE : Diagnosis Procedure

INFOID:000000005657443

---

#### 1.CHECK RECLINING MECHANISM

Check for the following.

- Mechanism deformation or pinched foreign materials.
- Interference with other parts because of poor installation.

Is the inspection result normal?

YES >> GO TO 2.

NO >> Repair or replace the malfunctioning parts.

---

#### 2.CHECK RECLINING SWITCH

Check reclining switch.

Refer to [SE-48, "PASSENGER SIDE : Component Function Check"](#).

Is the inspection result normal?

# RECLINING FUNCTION DOES NOT OPERATE

## < SYMPTOM DIAGNOSIS >

---

YES >> GO TO 3.

NO >> Repair or replace the malfunctioning parts.

A

### 3.CHECK FORWARD SWITCH

---

Check forward switch.

Refer to [SE-62. "PASSENGER SIDE : Component Function Check"](#).

B

Is the inspection result normal?

YES >> GO TO 4.

NO >> Repair or replace the malfunctioning parts.

C

### 4.CHECK RECLINING MOTOR

---

Check reclining motor.

Refer to [SE-89. "PASSENGER SIDE : Component Function Check"](#).

D

Is the inspection result normal?

YES >> GO TO 5.

NO >> Repair or replace the malfunctioning parts.

E

### 5.CONFIRM THE OPERATION

---

Check the operation again.

Is the result normal?

YES >> Check intermittent incident. Refer to [GI-38. "Intermittent Incident"](#).

NO >> GO TO 1.

F

G

H

I

SE

K

L

M

N

O

P

# LIFTING FUNCTION DOES NOT OPERATE

< SYMPTOM DIAGNOSIS >

## LIFTING FUNCTION DOES NOT OPERATE FRONT

### FRONT : Diagnosis Procedure

INFOID:000000005657444

#### 1.CHECK LIFTING MECHANISM

Check for the following.

- Mechanism deformation or pinched foreign materials.
- Interference with other parts because of poor installation.

Is the inspection result normal?

YES >> GO TO 2.

NO >> Repair or replace the malfunctioning parts.

#### 2.CHECK LIFTING SWITCH (FRONT)

Check lifting switch (front).

- Driver side: Refer to [SE-51, "DRIVER SIDE : Component Function Check"](#).
- Passenger side: Refer to [SE-52, "PASSENGER SIDE : Component Function Check"](#).

Is the inspection result normal?

YES >> GO TO 3.

NO >> Repair or replace the malfunctioning parts.

#### 3.CHECK LIFTING MOTOR (FRONT)

Check lifting motor (front).

- Driver side: Refer to [SE-92, "DRIVER SIDE : Component Function Check"](#).
- Passenger side: Refer to [SE-93, "PASSENGER SIDE : Component Function Check"](#).

Is the inspection result normal?

YES >> GO TO 4.

NO >> Repair or replace the malfunctioning parts.

#### 4.CONFIRM THE OPERATION

Check the operation again.

Is the result normal?

YES >> Check intermittent incident. Refer to [GI-38, "Intermittent Incident"](#).

NO >> GO TO 1.

## REAR

### REAR : Diagnosis Procedure

INFOID:000000005657445

#### 1.CHECK LIFTING MECHANISM

Check for the following.

- Mechanism deformation or pinched foreign materials.
- Interference with other parts because of poor installation.

Is the inspection result normal?

YES >> GO TO 2.

NO >> Repair or replace the malfunctioning parts.

#### 2.CHECK LIFTING SWITCH (REAR)

Check lifting switch (rear).

- Driver side: Refer to [SE-55, "DRIVER SIDE : Component Function Check"](#).
- Passenger side: Refer to [SE-56, "PASSENGER SIDE : Component Function Check"](#).

Is the inspection result normal?

YES >> GO TO 3.

NO >> Repair or replace the malfunctioning parts.

#### 3.CHECK LIFTING MOTOR (REAR)

Check lifting motor (rear).



## LIFTING FUNCTION DOES NOT OPERATE

### < SYMPTOM DIAGNOSIS >

---

- Driver side: Refer to [SE-96, "DRIVER SIDE : Component Function Check"](#).
- Passenger side: Refer to [SE-97, "PASSENGER SIDE : Component Function Check"](#).

Is the inspection result normal?

YES >> GO TO 4.

NO >> Repair or replace the malfunctioning parts.

### 4.CONFIRM THE OPERATION

---

Check the operation again.

Is the result normal?

YES >> Check intermittent incident. Refer to [GI-38, "Intermittent Incident"](#).

NO >> GO TO 1.

A  
B  
C  
D  
E  
F  
G  
H  
I  
K  
L  
M  
N  
O  
P

SE

# POWER WALK-IN FUNCTION DOES NOT OPERATE

< SYMPTOM DIAGNOSIS >

---

## POWER WALK-IN FUNCTION DOES NOT OPERATE

### DRIVER SIDE

#### DRIVER SIDE : Diagnosis Procedure

INFOID:000000005657446

---

#### 1. CHECK SEAT SLIDING OPERATION

Check seat sliding operation.

Is the inspection result normal?

YES >> GO TO 2.

NO >> Refer to [SE-164, "DRIVER SIDE : Diagnosis Procedure"](#).

---

#### 2. PERFORM INITIALIZATION PROCEDURE

1. Perform initialization procedure.

Refer to [SE-8, "SYSTEM INITIALIZATION : Special Repair Requirement"](#).

2. Check power walk-in function.

Refer to [SE-11, "POWER WALK-IN FUNCTION : System Description"](#).

Is the inspection result normal?

YES >> Power walk-in function is normal.

NO >> GO TO 3.

---

#### 3. CHECK POWER WALK-IN SWITCH

Check power walk-in switch.

Refer to [SE-73, "DRIVER SIDE : Component Function Check"](#).

Is the inspection result normal?

YES >> GO TO 4.

NO >> Repair or replace the malfunctioning parts.

---

#### 4. CHECK SEAT BELT BUCKLE SWITCH

Check seat belt buckle switch.

Refer to [SE-65, "DRIVER SIDE : Component Function Check"](#).

Is the inspection result normal?

YES >> GO TO 5.

NO >> Repair or replace the malfunctioning parts.

---

#### 5. CHECK FORWARD SWITCH

Check forward switch.

Refer to [SE-61, "DRIVER SIDE : Component Function Check"](#).

Is the inspection result normal?

YES >> GO TO 6.

NO >> Repair or replace the malfunctioning parts.

---

#### 6. CHECK SLIDING LIMIT SWITCH

Check sliding limit switch.

Refer to [SE-69, "DRIVER SIDE : Component Function Check"](#).

Is the inspection result normal?

YES >> GO TO 7.

NO >> Repair or replace the malfunctioning parts.

---

#### 7. CHECK DRIVER SIDE DOOR SWITCH

Check driver side door switch.

Refer to [SE-77, "Component Function Check"](#)

Is the inspection result normal?

YES >> GO TO 8.

NO >> Repair or replace the malfunctioning parts.

---

#### 8. CHECK SLIDING SENSOR

# POWER WALK-IN FUNCTION DOES NOT OPERATE

## < SYMPTOM DIAGNOSIS >

---

Check sliding sensor.

Refer to [SE-79, "DRIVER SIDE : Component Function Check"](#).

Is the inspection result normal?

YES >> GO TO 9.

NO >> Repair or replace the malfunctioning parts.

## 9.CONFIRM THE OPERATION

---

Check the operation again.

Refer to [SE-11, "POWER WALK-IN FUNCTION : System Description"](#).

Is the result normal?

YES >> Check intermittent incident. Refer to [GI-38, "Intermittent Incident"](#).

NO >> Replace driver seat control unit. Refer to [SE-205, "Removal and Installation"](#).

## PASSENGER SIDE

### PASSENGER SIDE : Diagnosis Procedure

INFOID:000000005657447

#### 1.CHECK SEAT SLIDING OPERATION

---

Check seat sliding operation.

Is the inspection result normal?

YES >> GO TO 2.

NO >> Refer to [SE-164, "PASSENGER SIDE : Diagnosis Procedure"](#).

#### 2.PERFORM INITIALIZATION PROCEDURE

---

1. Perform initialization procedure.

Refer to [SE-8, "SYSTEM INITIALIZATION : Special Repair Requirement"](#).

2. Check power walk-in function.

Refer to [SE-11, "POWER WALK-IN FUNCTION : System Description"](#).

Is the inspection result normal?

YES >> Power walk-in function is normal.

NO >> GO TO 3.

#### 3.CHECK POWER WALK-IN SWITCH

---

Check power walk-in switch.

Refer to [SE-74, "PASSENGER SIDE : Component Function Check"](#).

Is the inspection result normal?

YES >> GO TO 4.

NO >> Repair or replace the malfunctioning parts.

#### 4.CHECK SEAT BELT BUCKLE SWITCH

---

Check seat belt buckle switch.

Refer to [SE-66, "PASSENGER SIDE : Component Function Check"](#).

Is the inspection result normal?

YES >> GO TO 5.

NO >> Repair or replace the malfunctioning parts.

#### 5.CHECK FORWARD SWITCH

---

Check forward switch.

Refer to [SE-62, "PASSENGER SIDE : Component Function Check"](#).

Is the inspection result normal?

YES >> GO TO 6.

NO >> Repair or replace the malfunctioning parts.

#### 6.CHECK SLIDING LIMIT SWITCH

---

Check sliding limit switch.

Refer to [SE-70, "PASSENGER SIDE : Component Function Check"](#).

Is the inspection result normal?

## POWER WALK-IN FUNCTION DOES NOT OPERATE

### < SYMPTOM DIAGNOSIS >

---

- YES >> GO TO 7.  
NO >> Repair or replace the malfunctioning parts.

### 7.CHECK PASSENGER SIDE DOOR SWITCH

---

Check passenger side door switch.

Refer to [SE-77, "Component Function Check"](#)

Is the inspection result normal?

- YES >> GO TO 8.  
NO >> Repair or replace the malfunctioning parts.

### 8.CHECK SLIDING SENSOR

---

Check sliding sensor.

Refer to [SE-79, "DRIVER SIDE : Component Function Check"](#).

Is the inspection result normal?

- YES >> GO TO 9.  
NO >> Repair or replace the malfunctioning parts.

### 9.CONFIRM THE OPERATION

---

Check the operation again.

Refer to [SE-11, "POWER WALK-IN FUNCTION : System Description"](#).

Is the result normal?

- YES >> Check intermittent incident. Refer to [GI-38, "Intermittent Incident"](#).  
NO >> Replace passenger seat control unit. Refer to [SE-206, "Removal and Installation"](#).

# HEATED SEAT DOES NOT OPERATE

< SYMPTOM DIAGNOSIS >

## HEATED SEAT DOES NOT OPERATE BOTH SIDES

### BOTH SIDES : Diagnosis Procedure

INFOID:000000005657448

#### 1.CHECK HEATED SEAT SWITCH POWER SUPPLY

Check heated seat switch power supply.

Refer to [SE-38. "HEATED SEAT SWITCH : Diagnosis Procedure"](#).

Is the inspection result normal?

YES >> GO TO 2.

NO >> Repair or replace the malfunctioning parts.

#### 2.CHECK HEATED SEAT RELAY

Check heated seat relay.

Refer to [SE-104. "Component Function Check"](#).

Is the inspection result normal?

YES >> GO TO 3.

NO >> Repair or replace the malfunctioning parts.

#### 3.CHECK HEATED SEAT CONTROL UNIT POWER SUPPLY AND GROUND CIRCUIT

Check heated seat switch power supply and ground circuit.

Refer to [SE-36. "HEATED SEAT CONTROL UNIT : Diagnosis Procedure"](#).

Is the inspection result normal?

YES >> GO TO 4.

NO >> Repair or replace the malfunctioning parts.

#### 4.CONFIRM THE OPERATION

Confirm the operation again.

Is the inspection result normal?

YES >> Check intermittent incident. Refer to [GI-38. "Intermittent Incident"](#).

NO >> GO TO 1.

## DRIVER SIDE

### DRIVER SIDE : Diagnosis Procedure

INFOID:000000005657449

#### 1.CHECK HEATED SEAT SWITCH POWER SUPPLY

Check heated seat switch power supply.

Refer to [SE-38. "HEATED SEAT SWITCH : Diagnosis Procedure"](#).

Is the inspection result normal?

YES >> GO TO 2.

NO >> Repair or replace the malfunctioning parts.

#### 2.CHECK HEATED SEAT CONTROL UNIT POWER SUPPLY AND GROUND CIRCUIT

Check heated seat switch power supply and ground circuit.

Refer to [SE-36. "HEATED SEAT CONTROL UNIT : Diagnosis Procedure"](#).

Is the inspection result normal?

YES >> GO TO 3.

NO >> Repair or replace the malfunctioning parts.

#### 3.CHECK HEATED SEAT SWITCH

Check heated seat switch.

Refer to [SE-100. "DRIVER SIDE : Component Function Check"](#).

Is the inspection result normal?

YES >> GO TO 4.

NO >> Repair or replace the malfunctioning parts.

A  
B  
C  
D  
E  
F  
G  
H  
I  
K  
L  
M  
N  
O  
P

SE

# HEATED SEAT DOES NOT OPERATE

< SYMPTOM DIAGNOSIS >

---

## 4.CHECK SEAT CUSHION HEATER

---

Check seat cushion heater.

Refer to [SE-111, "DRIVER SIDE : Component Function Check"](#).

Is the inspection result normal?

YES >> GO TO 5.

NO >> Repair or replace the malfunctioning parts.

## 5.CONFIRM THE OPERATION

---

Confirm the operation again.

Is the inspection result normal?

YES >> Check intermittent incident. Refer to [GI-38, "Intermittent Incident"](#).

NO >> GO TO 1.

## PASSENGER SIDE

### PASSENGER SIDE : Diagnosis Procedure

INFOID:000000005657450

## 1.CHECK HEATED SEAT SWITCH POWER SUPPLY

---

Check heated seat switch power supply.

Refer to [SE-38, "HEATED SEAT SWITCH : Diagnosis Procedure"](#).

Is the inspection result normal?

YES >> GO TO 2.

NO >> Repair or replace the malfunctioning parts.

## 2.CHECK HEATED SEAT CONTROL UNIT POWER SUPPLY AND GROUND CIRCUIT

---

Check heated seat switch power supply and ground circuit.

Refer to [SE-36, "HEATED SEAT CONTROL UNIT : Diagnosis Procedure"](#).

Is the inspection result normal?

YES >> GO TO 3.

NO >> Repair or replace the malfunctioning parts.

## 3.CHECK HEATED SEAT SWITCH

---

Check heated seat switch.

Refer to [SE-101, "PASSENGER SIDE : Component Function Check"](#).

Is the inspection result normal?

YES >> GO TO 4.

NO >> Repair or replace the malfunctioning parts.

## 4.CHECK SEAT CUSHION HEATER

---

Check seat cushion heater.

Refer to [SE-112, "PASSENGER SIDE : Component Function Check"](#).

Is the inspection result normal?

YES >> GO TO 5.

NO >> Repair or replace the malfunctioning parts.

## 5.CONFIRM THE OPERATION

---

Confirm the operation again.

Is the inspection result normal?

YES >> Check intermittent incident. Refer to [GI-38, "Intermittent Incident"](#).

NO >> GO TO 1.

# SEATBACK HEATER ONLY DOES NOT OPERATE

< SYMPTOM DIAGNOSIS >

## SEATBACK HEATER ONLY DOES NOT OPERATE DRIVER SIDE

DRIVER SIDE : Diagnosis Procedure

INFOID:000000005657451

### 1.CHECK SEATBACK HEATER

Check seatback heater.

Refer to [SE-115, "DRIVER SIDE : Component Function Check"](#).

Is the inspection result normal?

YES >> GO TO 2.

NO >> Repair or replace the malfunctioning parts.

### 2.CONFIRM THE OPERATION

Confirm the operation again.

Is the inspection result normal?

YES >> Check intermittent incident. Refer to [GI-38, "Intermittent Incident"](#).

NO >> GO TO 1.

## PASSENGER SIDE

PASSENGER SIDE : Diagnosis Procedure

INFOID:000000005657452

### 1.CHECK SEATBACK HEATER

Check seatback heater.

Refer to [SE-115, "PASSENGER SIDE : Component Function Check"](#).

Is the inspection result normal?

YES >> GO TO 2.

NO >> Repair or replace the malfunctioning parts.

### 2.CONFIRM THE OPERATION

Confirm the operation again.

Is the inspection result normal?

YES >> Check intermittent incident. Refer to [GI-38, "Intermittent Incident"](#).

NO >> GO TO 1.

A  
B  
C  
D  
E  
F  
G  
H  
I  
SE  
K  
L  
M  
N  
O  
P

# CANNOT ADJUST HEATED SEAT TEMPERATURE

< SYMPTOM DIAGNOSIS >

---

## CANNOT ADJUST HEATED SEAT TEMPERATURE DRIVER SIDE

### DRIVER SIDE : Diagnosis Procedure

INFOID:000000005657453

#### 1.CHECK HEATED SEAT SWITCH

---

Check heated seat switch.

Refer to [SE-100, "DRIVER SIDE : Component Function Check"](#).

Is the inspection result normal?

YES >> GO TO 2.

NO >> Repair or replace the malfunctioning parts.

#### 2.CHECK HEAT SENSOR

---

Check heat sensor.

Refer to [SE-106, "DRIVER SIDE : Description"](#).

Is the inspection result normal?

YES >> GO TO 3.

NO >> Repair or replace the malfunctioning parts.

#### 3.CONFIRM THE OPERATION

---

Confirm the operation again.

Is the inspection result normal?

YES >> Check intermittent incident. Refer to [GI-38, "Intermittent Incident"](#).

NO >> Replace heated seat control unit. Refer to [SE-207, "Removal and Installation"](#).

## PASSENGER SIDE

### PASSENGER SIDE : Diagnosis Procedure

INFOID:000000005657454

#### 1.CHECK HEATED SEAT SWITCH

---

Check heated seat switch.

Refer to [SE-101, "PASSENGER SIDE : Component Function Check"](#).

Is the inspection result normal?

YES >> GO TO 2.

NO >> Repair or replace the malfunctioning parts.

#### 2.CHECK HEAT SENSOR

---

Check heat sensor.

Refer to [SE-108, "PASSENGER SIDE : Diagnosis Procedure"](#).

Is the inspection result normal?

YES >> GO TO 3.

NO >> Repair or replace the malfunctioning parts.

#### 3.CONFIRM THE OPERATION

---

Confirm the operation again.

Is the inspection result normal?

YES >> Check intermittent incident. Refer to [GI-38, "Intermittent Incident"](#).

NO >> Replace heated seat control unit. Refer to [SE-207, "Removal and Installation"](#).



# HEATED SEAT SWITCH INDICATOR DOES NOT TURN ON

< SYMPTOM DIAGNOSIS >

## HEATED SEAT SWITCH INDICATOR DOES NOT TURN ON DRIVER SIDE

DRIVER SIDE : Diagnosis Procedure

INFOID:000000005657455

### 1.CHECK HEATED SEAT SWITCH INDICATOR

Check heated seat switch indicator.

Refer to [SE-117, "DRIVER SIDE : Component Function Check"](#).

Is the inspection result normal?

YES >> GO TO 2.

NO >> Repair or replace the malfunctioning parts.

### 2.CONFIRM THE OPERATION

Confirm the operation again.

Is the inspection result normal?

YES >> Check intermittent incident. Refer to [GI-38, "Intermittent Incident"](#).

NO >> GO TO 1.

## PASSENGER SIDE

PASSENGER SIDE : Diagnosis Procedure

INFOID:000000005657456

### 1.CHECK HEATED SEAT SWITCH INDICATOR

Check heated seat switch indicator.

Refer to [SE-117, "PASSENGER SIDE : Component Function Check"](#).

Is the inspection result normal?

YES >> GO TO 2.

NO >> Repair or replace the malfunctioning parts.

### 2.CONFIRM THE OPERATION

Confirm the operation again.

Is the inspection result normal?

YES >> Check intermittent incident. Refer to [GI-38, "Intermittent Incident"](#).

NO >> GO TO 1.

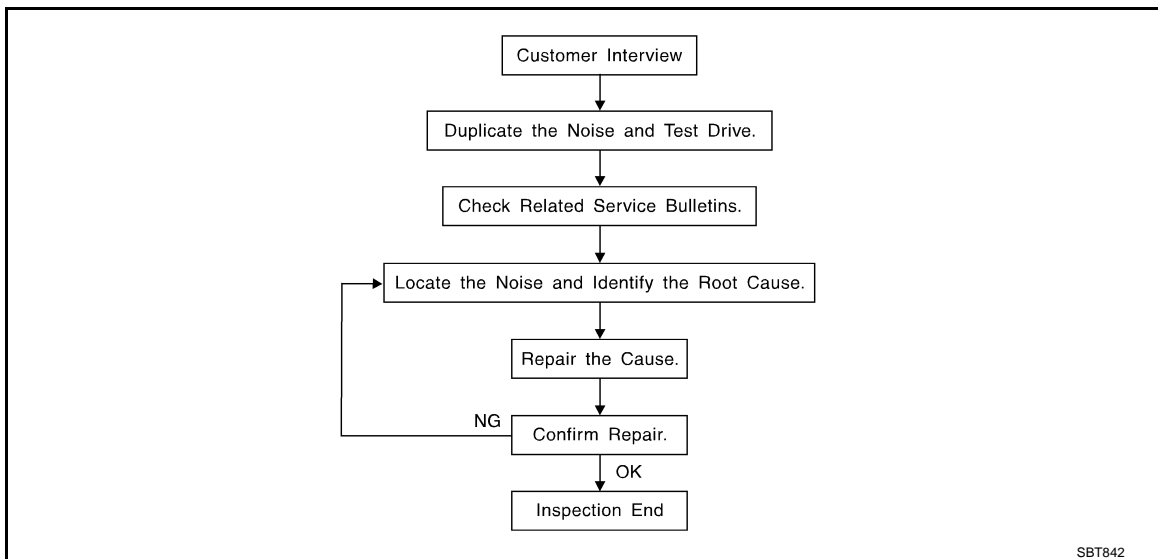
# SQUEAK AND RATTLE TROUBLE DIAGNOSES

< SYMPTOM DIAGNOSIS >

## SQUEAK AND RATTLE TROUBLE DIAGNOSES

### Work Flow

INFOID:000000005657457



### CUSTOMER INTERVIEW

Interview the customer if possible, to determine the conditions that exist when the noise occurs. Use the Diagnostic Worksheet during the interview to document the facts and conditions when the noise occurs and any of customer's comments; refer to [SE-182, "Diagnostic Worksheet"](#). This information is necessary to duplicate the conditions that exist when the noise occurs.

- The customer may not be able to provide a detailed description or the location of the noise. Attempt to obtain all the facts and conditions that exist when the noise occurs (or does not occur).
- If there is more than one noise in the vehicle, perform a diagnosis and repair the noise that the customer is concerned about. This can be accomplished by performing a cruise test on the vehicle with the customer.
- After identifying the type of noise, isolate the noise in terms of its characteristics. The noise characteristics are provided so the customer, service adviser and technician are all speaking the same language when defining the noise.
- Squeak – (Like tennis shoes on a clean floor)  
Squeak characteristics include the light contact/fast movement/brought on by road conditions/hard surfaces = higher pitch noise/softer surfaces = lower pitch noises/edge to surface = chirping
- Creak – (Like walking on an old wooden floor)  
Creak characteristics include firm contact/slow movement/twisting with a rotational movement/pitch dependent on materials/often brought on by activity.
- Rattle – (Like shaking a baby rattle)  
Rattle characteristics include the fast repeated contact/vibration or similar movement/loose parts/missing clip or fastener/incorrect clearance.
- Knock – (Like a knock on a door)  
Knock characteristics include hollow sounding/sometimes repeating/often brought on by driver action.
- Tick – (Like a clock second hand)  
Tick characteristics include gentle contacting of light materials/loose components/can be caused by driver action or road conditions.
- Thump – (Heavy, muffled knock noise)  
Thump characteristics include softer knock/dead sound often brought on by activity.
- Buzz – (Like a bumblebee)  
Buzz characteristics include high frequency rattle/firm contact.
- Often the degree of acceptable noise level will vary depending up on the person. A noise that a technician may judge as acceptable may be very irritating to the customer.
- Weather conditions, especially humidity and temperature, may have a great effect on noise level.

### DUPLICATE THE NOISE AND TEST DRIVE

If possible, drive the vehicle with the customer until the noise is duplicated. Note any additional information on the Diagnostic Worksheet regarding the conditions or location of the noise. This information can be used to duplicate the same conditions when the repair is reconfirmed.

# SQUEAK AND RATTLE TROUBLE DIAGNOSES

## < SYMPTOM DIAGNOSIS >

If the noise can be duplicated easily during the test drive, to help identify the source of the noise, try to duplicate the noise with the vehicle stopped by doing one or all of the following:

- 1) Close a door.
  - 2) Tap or push/pull around the area where the noise appears to be coming from.
  - 3) Rev the engine.
  - 4) Use a floor jack to recreate vehicle "twist".
  - 5) At idle, apply engine load (electrical load, half-clutch on M/T models, drive position on A/T models).
  - 6) Raise the vehicle on a hoist and hit a tire with a rubber hammer.
- Drive the vehicle and attempt to duplicate the conditions the customer states exist when the noise occurs.
  - If it is difficult to duplicate the noise, drive the vehicle slowly on an undulating or rough road to stress the vehicle body.

## CHECK RELATED SERVICE BULLETINS

After verifying the customer concern or symptom, check ASIST for Technical Service Bulletins (TSBs) related to that concern or symptom.

If a TSB relates to the symptom, follow the procedure to repair the noise.

## LOCATE THE NOISE AND IDENTIFY THE ROOT CAUSE

1. Narrow down the noise to a general area. To help pinpoint the source of the noise, use a listening tool (Chassis ear: J-39570, Engine ear and mechanics stethoscope).
2. Narrow down the noise to a more specific area and identify the cause of the noise by:
  - Removing the components in the area that is are suspected to be the cause of the noise.  
Do not use too much force when removing clips and fasteners, otherwise clips and fastener can be broken or lost during the repair, resulting in the creation of new noise.
  - Tapping or pushing/pulling the component that is are suspected to be the cause of the noise.  
Do not tap or push/pull the component with excessive force, otherwise the noise will be eliminated only temporarily.
  - Feeling for a vibration by hand by touching the component(s) that is are suspected to be the cause of the noise.
  - Placing a piece of paper between components that are suspected to be the cause of the noise.
  - Looking for loose components and contact marks.  
Refer to [SE-180. "Inspection Procedure"](#).

## REPAIR THE CAUSE

- If the cause is a loose component, tighten the component securely.
- If the cause is insufficient clearance between components:
  - Separate components by repositioning or loosening and retightening the component, if possible.
  - Insulate components with a suitable insulator such as urethane pads, foam blocks, felt cloth tape or urethane tape. A Nissan Squeak and Rattle Kit (J-43980) is available through the authorized Nissan Parts Department.

### **CAUTION:**

**Never use excessive force as many components are constructed of plastic and may be damaged.**

### **NOTE:**

Always check with the Parts Department for the latest parts information.

The following materials are contained in the Nissan Squeak and Rattle Kit (J-43980). Each item can be ordered separately as needed.

URETHANE PADS [1.5 mm (0.059 in) thick]

Insulates connectors, harness, etc.

76268-9E005: 100 × 135 mm (3.94 × 5.31 in)/76884-71L01: 60 × 85 mm (2.36 × 3.35 in)/76884-71L02: 15 × 25 mm (0.59 × 0.98 in)

INSULATOR (Foam blocks)

Insulates components from contact. Can be used to fill space behind a panel.

73982-9E000: 45 mm (1.77 in) thick, 50 × 50 mm (1.97 × 1.97 in)/73982-

50Y00: 10 mm (0.39 in) thick, 50 × 50 mm (1.97 × 1.97 in)

INSULATOR (Light foam block)

80845-71L00: 30 mm (1.18 in) thick, 30 × 50 mm (1.18 × 1.97in)

FELT CLOTHTAPE

Used to insulate where movement does not occur. Ideal for instrument panel applications.

68370-4B000: 15 × 25 mm (0.59 × 0.98 in) pad/68239-13E00: 5 mm (0.20 in) wide tape roll

The following materials, not found in the kit, can also be used to repair squeaks and rattles.

UHMW (TEFLON) TAPE

# SQUEAK AND RATTLE TROUBLE DIAGNOSES

## < SYMPTOM DIAGNOSIS >

---

Insulates where slight movement is present. Ideal for instrument panel applications.

### SILICONE GREASE

Used in place of UHMW tape that is be visible or does not fit. Will only last a few months.

### SILICONE SPRAY

Used when grease cannot be applied.

### DUCT TAPE

Used to eliminate movement.

## CONFIRM THE REPAIR

Confirm that the cause of a noise is repaired by test driving the vehicle. Operate the vehicle under the same conditions as when the noise originally occurred. Refer to the notes on the Diagnostic Worksheet.

## Inspection Procedure

INFOID:000000005657458

Refer to Table of Contents for specific component removal and installation information.

## INSTRUMENT PANEL

Most incidents are caused by contact and movement between:

1. The cluster lid A and instrument panel
2. Acrylic lens and combination meter housing
3. Instrument panel to front pillar garnish
4. Instrument panel to windshield
5. Instrument panel mounting pins
6. Wiring harnesses behind the combination meter
7. A/C defroster duct and duct joint

These incidents can usually be located by tapping or moving the components to duplicate the noise or by pressing on the components while driving to stop the noise. Most of these incidents can be repaired by applying felt cloth tape or silicon spray (in hard to reach areas). Urethane pads can be used to insulate wiring harness.

### **CAUTION:**

**Never use silicone spray to isolate a squeak or rattle. If the area is saturated with silicone, the recheck of repair becomes impossible.**

## CENTER CONSOLE

Components to pay attention to include:

1. Shifter assembly cover to finisher
2. A/C control unit and cluster lid C
3. Wiring harnesses behind audio and A/C control unit

The instrument panel repair and isolation procedures also apply to the center console.

## DOORS

Pay attention to the following:

1. Finisher and inner panel making a slapping noise
2. Inside handle escutcheon to door finisher
3. Wiring harnesses tapping
4. Door striker out of alignment causing a popping noise on starts and stops

Tapping or moving the components or pressing on them while driving to duplicate the conditions can isolate many of these incidents. The areas can usually be insulated with felt cloth tape or insulator foam blocks from the Nissan Squeak and Rattle Kit (J-43980) to repair the noise.

## TRUNK

Trunk noises are often caused by a loose jack or loose items put into the trunk by the customer.

In addition look for the following:

1. Trunk lid dumpers out of adjustment
2. Trunk lid striker out of adjustment
3. The trunk lid torsion bars knocking together
4. A loose license plate or bracket

# SQUEAK AND RATTLE TROUBLE DIAGNOSES

## < SYMPTOM DIAGNOSIS >

Most of these incidents can be repaired by adjusting, securing or insulating the item(s) or component(s) causing the noise.

### SUNROOF/HEADLINING

Noises in the sunroof/headlining area can often be traced to one of the following:

1. Sunroof lid, rail, linkage or seals making a rattle or light knocking noise
2. Sunvisor shaft shaking in the holder
3. Front or rear windshield touching headlining and squeaking

Again, pressing on the components to stop the noise while duplicating the conditions can isolate most of these incidents. Repairs usually consist of insulating with felt cloth tape.

### SEATS

When isolating seat noise it's important to note the position the seats in and the load placed on the seat when the noise occurs. These conditions should be duplicated when verifying and isolating the cause of the noise.

Cause of seat noise include:

1. Headrest rods and holder
2. A squeak between the seat pad cushion and frame
3. The rear seatback lock and bracket

These noises can be isolated by moving or pressing on the suspected components while duplicating the conditions under which the noise occurs. Most of these incidents can be repaired by repositioning the component or applying urethane tape to the contact area.

### UNDERHOOD

Some interior noise may be caused by components under the hood or on the engine wall. The noise is then transmitted into the passenger compartment.

Causes of transmitted underhood noise include:

1. Any component mounted to the engine wall
2. Components that pass through the engine wall
3. Engine wall mounts and connectors
4. Loose radiator mounting pins
5. Hood bumpers out of adjustment
6. Hood striker out of adjustment

These noises can be difficult to isolate since they cannot be reached from the interior of the vehicle. The best method is to secure, move or insulate one component at a time and test drive the vehicle. Also, engine RPM or load can be changed to isolate the noise. Repairs can usually be made by moving, adjusting, securing, or insulating the component causing the noise.

A  
B  
C  
D  
E  
F  
G  
H  
I  
K  
L  
M  
N  
O  
P

SE

# SQUEAK AND RATTLE TROUBLE DIAGNOSES

< SYMPTOM DIAGNOSIS >

## Diagnostic Worksheet

INFOID:000000005657459



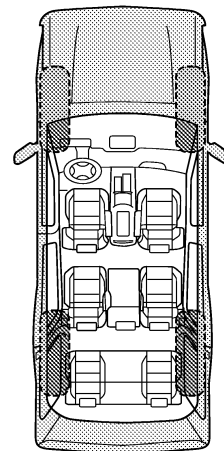
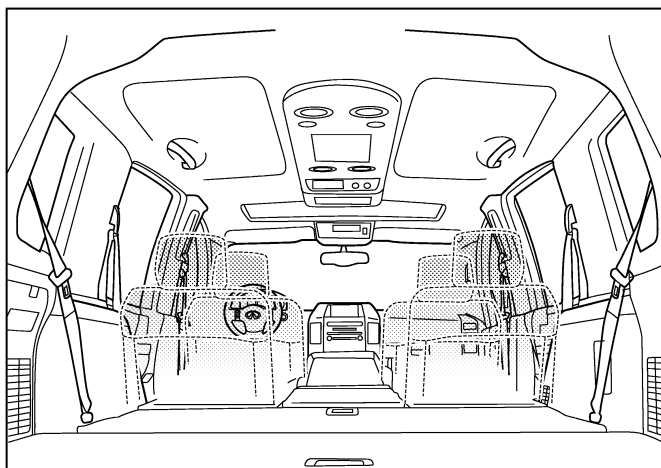
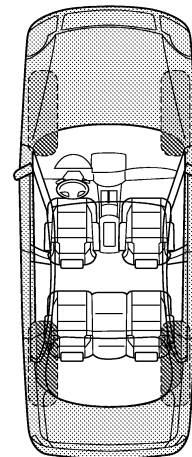
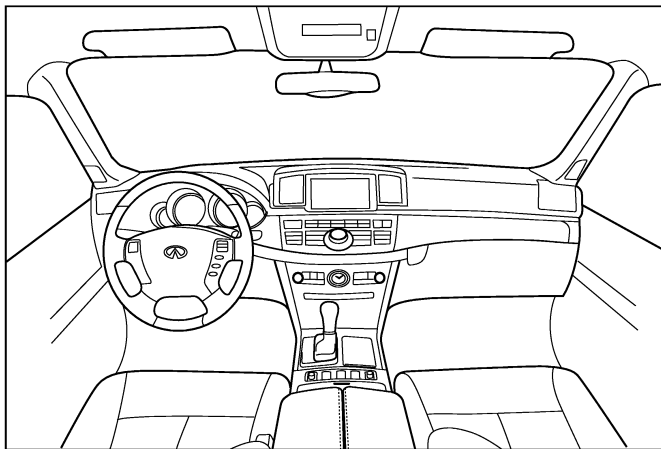
### SQUEAK & RATTLE DIAGNOSTIC WORKSHEET

Dear Infiniti Customer:

We are concerned about your satisfaction with your Infiniti vehicle. Repairing a squeak or rattle sometimes can be very difficult. To help us fix your Infiniti right the first time, please take a moment to note the area of the vehicle where the squeak or rattle occurs and under what conditions. You may be asked to take a test drive with a service consultant or technician to ensure we confirm the noise you are hearing.

#### I. WHERE DOES THE NOISE COME FROM? (circle the area of the vehicle)

The illustrations are for reference only, and may not reflect the actual configuration of your vehicle.



Continue to page 2 of the worksheet and briefly describe the location of the noise or rattle. In addition, please indicate the conditions which are present when the noise occurs.

PIIB8741E

# SQUEAK AND RATTLE TROUBLE DIAGNOSES

< SYMPTOM DIAGNOSIS >

## SQUEAK & RATTLE DIAGNOSTIC WORKSHEET - page 2

Briefly describe the location where the noise occurs:

---

---

### II. WHEN DOES IT OCCUR? (please check the boxes that apply)

- |   |  |
|---|--|
| <input type="checkbox"/> anytime                      | <input type="checkbox"/> after sitting out in the rain |
| <input type="checkbox"/> 1st time in the morning      | <input type="checkbox"/> when it is raining or wet     |
| <input type="checkbox"/> only when it is cold outside | <input type="checkbox"/> dry or dusty conditions       |
| <input type="checkbox"/> only when it is hot outside  | <input type="checkbox"/> other:                        |

### III. WHEN DRIVING:

- through driveways
- over rough roads
- over speed bumps
- only about \_\_\_\_ mph
- on acceleration
- coming to a stop
- on turns: left, right or either (circle)
- with passengers or cargo
- other: \_\_\_\_\_
- after driving \_\_\_\_ miles or \_\_\_\_ minutes

### IV. WHAT TYPE OF NOISE

- squeak (like tennis shoes on a clean floor)
- creak (like walking on an old wooden floor)
- rattle (like shaking a baby rattle)
- knock (like a knock at the door)
- tick (like a clock second hand)
- thump (heavy, muffled knock noise)
- buzz (like a bumble bee)

### TO BE COMPLETED BY DEALERSHIP PERSONNEL

#### Test Drive Notes:

---

---

---

	YES	NO	Initials of person performing
Vehicle test driven with customer	<input type="checkbox"/>	<input type="checkbox"/>	_____
- Noise verified on test drive	<input type="checkbox"/>	<input type="checkbox"/>	_____
- Noise source located and repaired	<input type="checkbox"/>	<input type="checkbox"/>	_____
- Follow up test drive performed to confirm repair	<input type="checkbox"/>	<input type="checkbox"/>	_____

VIN: \_\_\_\_\_ Customer Name: \_\_\_\_\_  
W.O.# \_\_\_\_\_ Date: \_\_\_\_\_

This form must be attached to Work Order

PIIB8742E

A  
B  
C  
D  
E  
F  
G  
H  
I  
SE  
K  
L  
M  
N  
O  
P

# PRECAUTIONS

< PRECAUTION >

## PRECAUTION

### PRECAUTIONS

#### Precaution for Supplemental Restraint System (SRS) "AIR BAG" and "SEAT BELT PRE-TENSIONER"

INFOID:000000005657460

The Supplemental Restraint System such as "AIR BAG" and "SEAT BELT PRE-TENSIONER", used along with a front seat belt, helps to reduce the risk or severity of injury to the driver and front passenger for certain types of collision. This system includes seat belt switch inputs and dual stage front air bag modules. The SRS system uses the seat belt switches to determine the front air bag deployment, and may only deploy one front air bag, depending on the severity of a collision and whether the front occupants are belted or unbelted. Information necessary to service the system safely is included in the "SRS AIR BAG" and "SEAT BELT" of this Service Manual.

#### **WARNING:**

- **To avoid rendering the SRS inoperative, which could increase the risk of personal injury or death in the event of a collision which would result in air bag inflation, all maintenance must be performed by an authorized NISSAN/INFINITI dealer.**
- **Improper maintenance, including incorrect removal and installation of the SRS, can lead to personal injury caused by unintentional activation of the system. For removal of Spiral Cable and Air Bag Module, see the "SRS AIR BAG".**
- **Do not use electrical test equipment on any circuit related to the SRS unless instructed to in this Service Manual. SRS wiring harnesses can be identified by yellow and/or orange harnesses or harness connectors.**

#### PRECAUTIONS WHEN USING POWER TOOLS (AIR OR ELECTRIC) AND HAMMERS

#### **WARNING:**

- **When working near the Air Bag Diagnosis Sensor Unit or other Air Bag System sensors with the ignition ON or engine running, DO NOT use air or electric power tools or strike near the sensor(s) with a hammer. Heavy vibration could activate the sensor(s) and deploy the air bag(s), possibly causing serious injury.**
- **When using air or electric power tools or hammers, always switch the ignition OFF, disconnect the battery, and wait at least 3 minutes before performing any service.**

#### Precaution for Battery Service

INFOID:000000005657461

Before disconnecting the battery, lower both the driver and passenger windows. This will prevent any interference between the window edge and the vehicle when the door is opened/closed. During normal operation, the window slightly raises and lowers automatically to prevent any window to vehicle interference. The automatic window function will not work with the battery disconnected.

#### Service Notice

INFOID:000000005657462

- When removing or installing various parts, place a cloth or padding onto the vehicle body to prevent scratches.
- Handle trim, molding, instruments, grille, etc. carefully during removing or installing. Be careful not to oil or damage them.
- Apply sealing compound where necessary when installing parts.
- When applying sealing compound, be careful that the sealing compound does not protrude from parts.
- When replacing any metal parts (for example body outer panel, members, etc.), be sure to take rust prevention measures.

#### Precaution for Work

INFOID:000000005657463

- When removing or disassembling each component, be careful not to damage or deform it. If a component may be subject to interference, be sure to protect it with a shop cloth.
- When removing (disengaging) components with a screwdriver or similar tool, be sure to wrap the component with a shop cloth or vinyl tape to protect it.
- Protect the removed parts with a shop cloth and keep them.
- Replace a deformed or damaged clip.
- If a part is specified as a non-reusable part, always replace it with new one.



## PRECAUTIONS

### < PRECAUTION >

---

- Be sure to tighten bolts and nuts securely to the specified torque.
- After re-installation is completed, be sure to check that each part works normally.
- Follow the steps below to clean components.
- Water soluble foul: Dip a soft cloth into lukewarm water, and wring the water out of the cloth to wipe the fouled area.  
Then rub with a soft and dry cloth.
- Oily foul: Dip a soft cloth into lukewarm water with mild detergent (concentration: within 2 to 3%), and wipe the fouled area.  
Then dip a cloth into fresh water, and wring the water out of the cloth to wipe the detergent off. Then rub with a soft and dry cloth.
- Do not use organic solvent such as thinner, benzene, alcohol, and gasoline.
- For genuine leather seats, use a genuine leather seat cleaner.

A

B

C

D

E

F

G

H

I

SE

K

L

M

N

O

P

# PREPARATION

< PREPARATION >

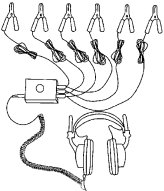
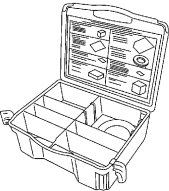
## PREPARATION

### PREPARATION

#### Special Service Tool

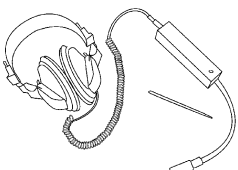
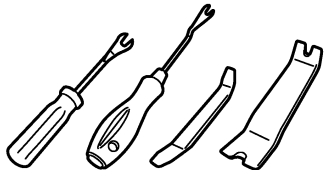
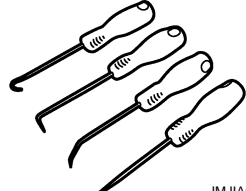
INFOID:000000005657464

The actual shapes of Kent-Moore tools may differ from those of special service tools illustrated here.

Tool number (Kent-Moore No.) Tool name	Description
<p>(J39570) Chassis ear</p>  <p style="text-align: right;">SIIA0993E</p>	<p>Locates the noise</p>
<p>(J43980) NISSAN Squeak and Rattle Kit</p>  <p style="text-align: right;">SIIA0994E</p>	<p>Repairs the cause of noise</p>

#### Commercial Service Tool

INFOID:000000005657465

Tool name	Description
<p>Engine ear</p>  <p style="text-align: right;">SIIA0995E</p>	<p>Locates the noise</p>
<p>Remover tool</p>  <p style="text-align: right;">JMKIA3050ZZ</p>	<p>Removes the clips, pawls and metal clips</p>
<p>Hook and pick tool</p>  <p style="text-align: right;">JMJIJA0490ZZ</p>	<p>Removes the snap pins</p>

# CLIP LIST

< PREPARATION >

## CLIP LIST

### Clip List

INFOID:000000005874505

Shapes	Removal & Installation	Shapes	Removal & Installation
	<p><b>Removal:</b> Remove by bending up with flat-bladed screwdrivers or clip remover.</p>		<p><b>Removal:</b> Finisher Clip A Flat-bladed screwdriver Clip B</p>
	<p><b>Removal:</b> Remove with a clip remover.</p>		<p><b>Removal:</b> Flat-bladed screwdriver Finisher Body panel Clip A Clip B (Grommet)</p>
	<p><b>Removal:</b> Push center pin to catching position. (Do not remove center pin by hitting it.)</p> <p><b>Installation:</b> Push</p>		<p><b>Removal:</b> Holder portion of clip must be spread out to remove rod.</p>
	<p><b>Removal:</b> Remove by bending up with flat-bladed screwdrivers or clip remover.</p> <p>Clip Finisher</p>		<p><b>Removal:</b> 1. Screw out with a Phillips screwdriver. 2. Remove female portion with flat-bladed screwdriver.</p>
	<p><b>Removal:</b></p>		<p><b>Removal:</b> Rotate 45° to remove.</p> <p><b>Installation:</b></p>
	<p><b>Removal:</b></p>		<p><b>Removal:</b></p>

JMJIA3734GB

A  
B  
C  
D  
E  
F  
G  
H  
I  
SE  
K  
L  
M  
N  
O  
P

# FRONT SEAT

< REMOVAL AND INSTALLATION >

## REMOVAL AND INSTALLATION

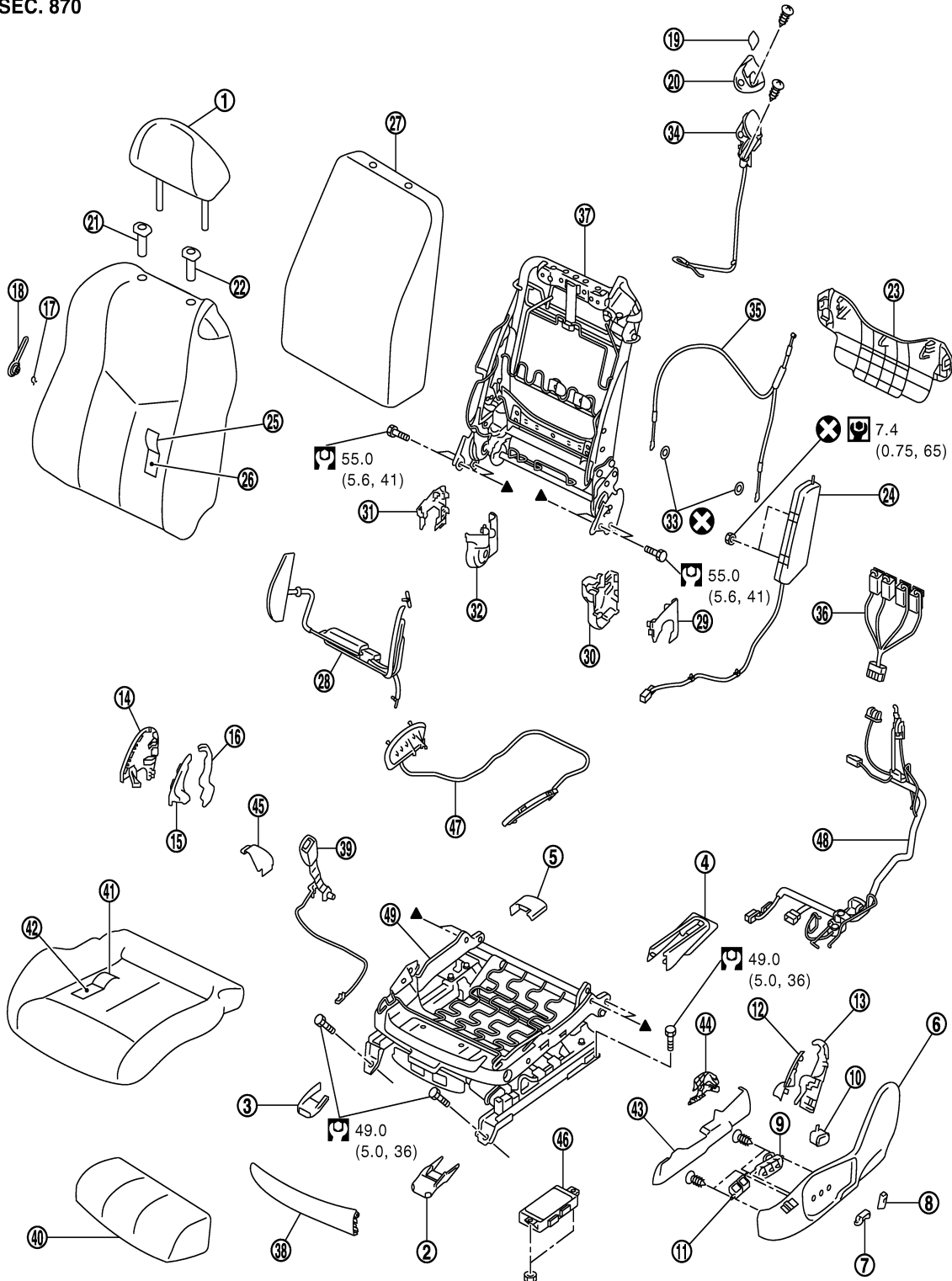
### FRONT SEAT

Exploded View

INFOID:000000005657466

DRIVER'S SEAT

SEC. 870



JMJIA1021GB

## FRONT SEAT

### < REMOVAL AND INSTALLATION >

1. Headrest	2. Front outer slide cover	3. Front inner slide cover	A
4. Rear outer slide cover	5. Rear inner slide cover	6. Seat cushion outer finisher	
7. Seat slide and lifter switch knob	8. Seat reclining switch knob	9. Seat control switch	
10. Lumbar support switch	11. Side support switch	12. Seat cushion outer finisher inside (front)	B
13. Seat cushion outer finisher inside (rear)	14. Seat cushion inner finisher	15. Seat cushion inner finisher inside (front)	
16. Seat cushion inner finisher inside (rear)	17. Snap ring	18. Lumbar support lever knob	C
19. Walk-in lever cap	20. Walk-in lever upper escutcheon	21. Headrest holder (free)	
22. Headrest holder (locked)	23. Seatback lower panel	24. Side air bag module	D
25. Seatback trim	26. Seatback pad	27. Seatback silencer	
28. Seatback side support bag and unit	29. Reclining device outer cover (outside)	30. Reclining device outer cover (inside)	E
31. Reclining device inner cover (outside)	32. Reclining device inner cover (inside)	33. Push nut	
34. Walk-in lever	35. Reclining device wire	36. Reclining and slide relay	F
37. Seatback frame	38. Seat cushion front finisher	39. Seat belt buckle	
40. Seat cushion pad (front)	41. Seat cushion trim	42. Seat cushion pad	
43. Seat slide outer finisher (outside)	44. Seat slide outer finisher (inside)	45. Seat slide inner finisher	G
46. Seat control unit	47. Seat cushion side support bag	48. Seat harness	
49. Seat cushion frame			

Refer to [GI-4, "Components"](#) for symbols in the figure.

### PASSENGER'S SEAT

SE

K

L

M

N

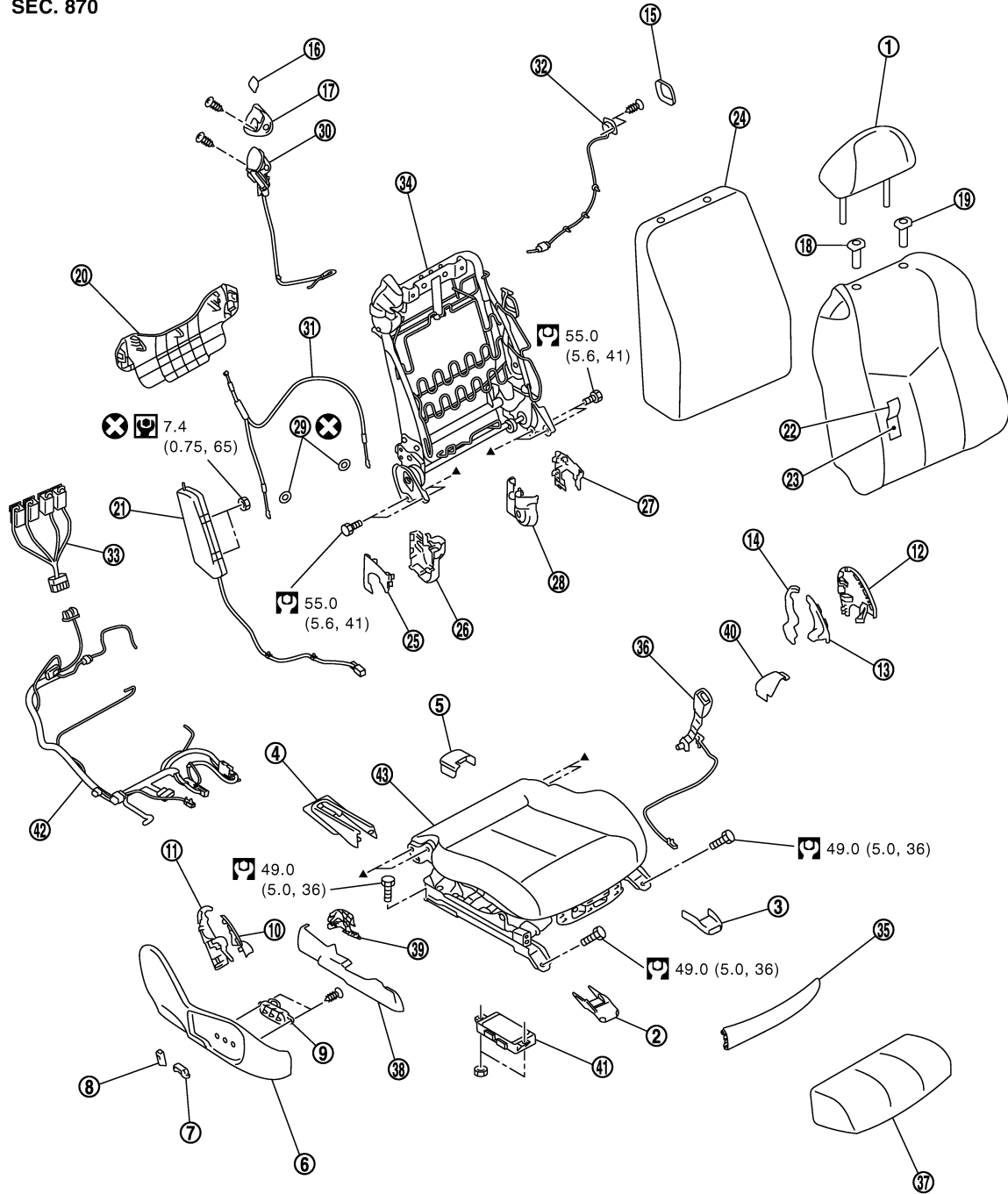
O

P

# FRONT SEAT

## < REMOVAL AND INSTALLATION >

SEC. 870



JMJIA1022GB

- |  |   |                                 |
|--|---|---------------------------------|
| 1. Headrest                                    | 2. Front outer slide cover                    | 3. Front inner slide cover      |
| 4. Rear outer slide cover                      | 5. Rear inner slide cover                     | 6. Seat cushion outer finisher  |
| 7. Seat slide and lifter switch knob           | 8. Seat reclining switch knob                 | 9. Seat control switch          |
| 10. Seat cushion outer finisher inside (front) | 11. Seat cushion outer finisher inside (rear) | 12. Seat cushion inner finisher |
| 13. Seat cushion inner finisher inside (front) | 14. Seat cushion inner finisher inside (rear) | 15. Slide switch escutcheon     |
| 16. Walk-in lever cap                          | 17. Walk-in lever upper escutcheon            | 18. Headrest holder (free)      |
| 19. Headrest holder (locked)                   | 20. Seatback lower panel                      | 21. Side air bag module         |
| 22. Seatback trim                              | 23. Seatback pad                              | 24. Seatback silencer           |

# FRONT SEAT

## < REMOVAL AND INSTALLATION >

- |  |   |  |
|--|---|--|
| 25. Reclining device outer cover (outside) | 26. Reclining device outer cover (inside) | 27. Reclining device inner cover (outside) |
| 28. Reclining device inner cover (inside)  | 29. Push nut                              | 30. Walk-in lever                          |
| 31. Reclining device wire                  | 32. Slide switch (seatback)               | 33. Reclining and slide relay              |
| 34. Seatback frame                         | 35. Seat cushion front finisher           | 36. Seat belt buckle                       |
| 37. Seat cushion pad (front)               | 38. Seat slide outer finisher (outside)   | 39. Seat slide outer finisher (inside)     |
| 40. Seat slide inner finisher              | 41. Seat control unit                     | 42. Seat harness                           |
| 43. Seat cushion assembly                  |   |  |

Refer to [GI-4, "Components"](#) for symbols in the figure.

## Removal and Installation


INFOID:000000005657467

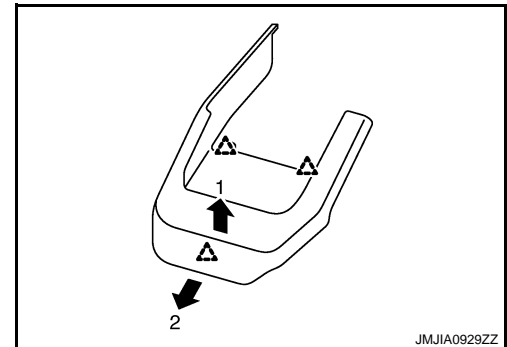
### REMOVAL

#### CAUTION:


**When removing and installing, use shop cloths to protect parts from damage.**

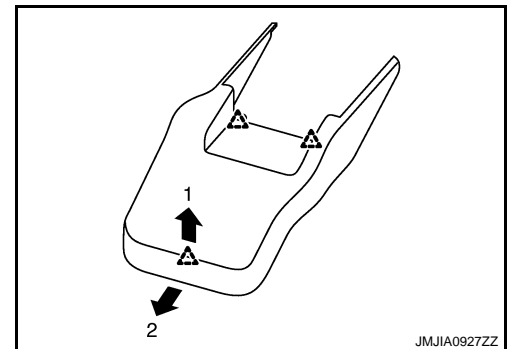
1. Remove the headrest.
2. Remove the front slide cover.
  - a. Front outer slide cover
    - Slide the seat to the rearmost position.
    - Pull up the front edge of the front slide cover to release the pawls.
    - Slide the front slide cover forward to release the pawls.

 : Pawl




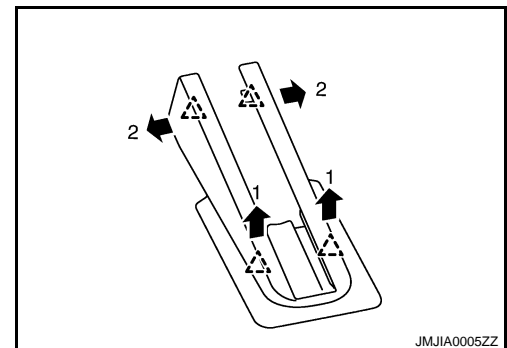
- b. Front inner slide cover
    - Slide the seat to the rearmost position.
    - Pull up the front edge of the front slide cover to release the pawls.
    - Slide the front slide cover forward to release the pawls.

 : Pawl



3. Remove the mounting bolts on the front side of the front seat.
4. Remove the rear slide cover.
  - a. Rear outer slide cover
    - Slide the seat to the foremost position.
    - Pull up the rear edge of the rear outer slide cover to release the pawls.
    - Open the front end of the rear outer slide cover to release the pawls.

 : Pawl




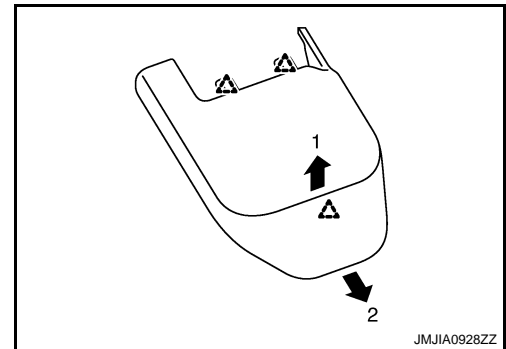
A  
B  
C  
D  
E  
F  
G  
H  
I  
SE  
K  
L  
M  
N  
O  
P

## FRONT SEAT

### < REMOVAL AND INSTALLATION >

- b. Rear inner slide cover
- Slide the seat to the foremost position.
  - Pull up the rear edge of the rear inner slide cover to release the pawls.
  - Slide the rear inner slide cover rearward to release the pawls.

 : Pawl



5. Remove the mounting bolts on the rear side of the front seat.  
6. Set seatback in a standing position.  
7. Disconnect harness connector under the seat and remove harness securing clips.

**CAUTION:**

**Before removal, turn ignition switch OFF, disconnect battery negative terminal and then wait for at least 3 minutes.**

8. Remove seat from the vehicle.

**CAUTION:**

**When removing and installing, use shop cloths to protect parts from damage.**

### INSTALLATION

Install in the reverse order of removal.

**CAUTION:**

- **Before installation, turn ignition switch OFF, disconnect battery negative terminal and then wait for at least 3 minutes.**
- **Clamp the harness in position.**

**NOTE:**

After installing the front seat, perform additional service when removing battery negative terminal. (With automatic drive positioner model) Refer to [ADP-9, "ADDITIONAL SERVICE WHEN REMOVING BATTERY NEGATIVE TERMINAL : Special Repair Requirement"](#). (Without automatic drive positioner model) Refer to [SE-8, "ADDITIONAL SERVICE WHEN REMOVING BATTERY NEGATIVE TERMINAL : Special Repair Requirement"](#).




### Disassembly and Assembly

INFOID:000000005657468

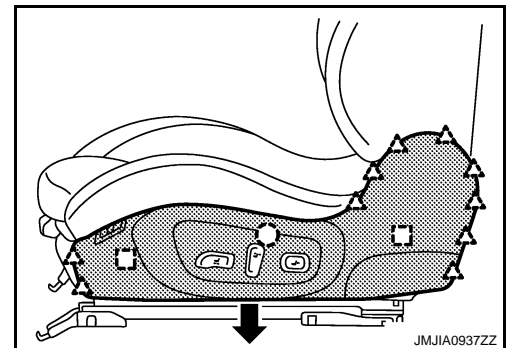
### SEATBACK

#### Disassembly

1. Remove the seat cushion outer finisher.
- Remove the metal clips, clips and pawls, and then pull out seat cushion outer finisher.

 : Clip  
 : Metal clip  
 : Pawl

- Disconnect the seat control switch, lumbar support switch and side support switch harness connector.



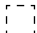
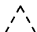
- Remove the seat cushion outer finisher inside (front, rear).

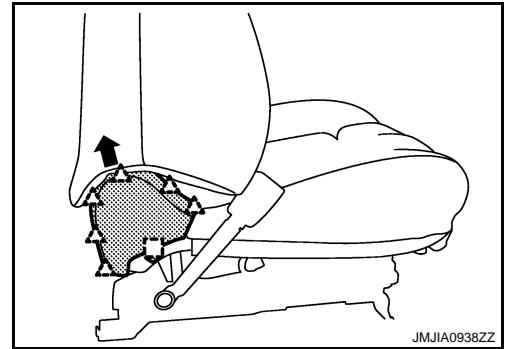


# FRONT SEAT

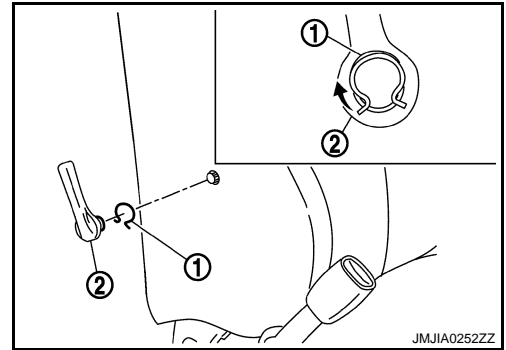
## < REMOVAL AND INSTALLATION >

2. Remove the seat cushion inner finisher.
  - Remove the seat cushion inner finisher inside (front, rear) by releasing the metal clip and pull it up together with the cover.
  - Remove the seat cushion inner finisher inside (front, rear) from the seat cushion inner finisher by releasing the pawls.

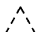
-  : Metal clip
-  : Pawl

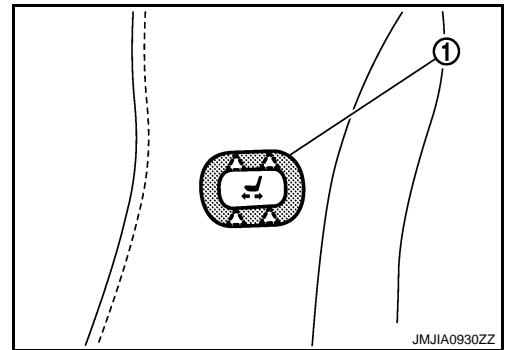


3. Remove the lumbar support lever knob. (Manual lumbar support model only.)  
Pull snap ring (1) upward, and remove lumbar support lever knob (2) from seatback frame. Using a hook and pick tool.

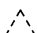


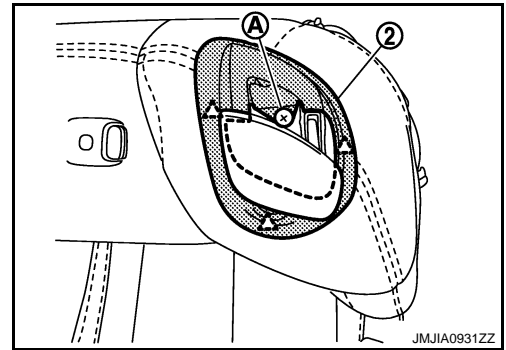
4. Remove the seatback trim and seatback pad.
  - Remove the pawls, and then pull out slide switch escutcheon (1).

-  : Pawl



- Remove the walk-in lever cap.
- Remove the screw (A) and pawls, and then walk-in lever upper escutcheon (2).

-  : Pawl

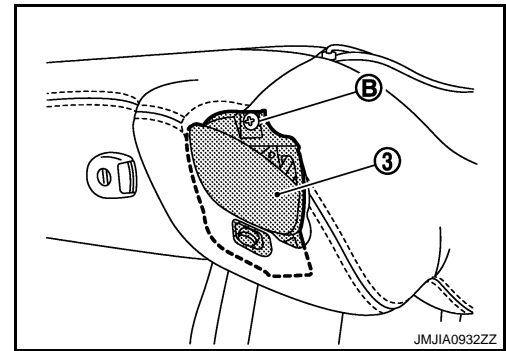


A  
B  
C  
D  
E  
F  
G  
H  
I  
SE  
K  
L  
M  
N  
O  
P

## FRONT SEAT

### < REMOVAL AND INSTALLATION >

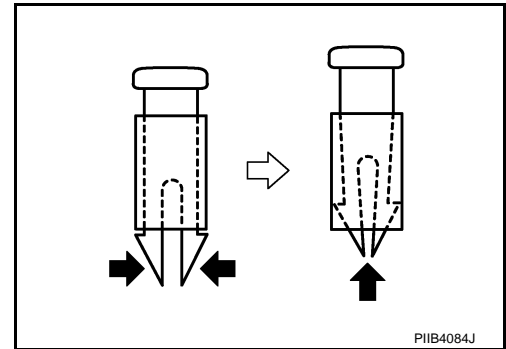
- Remove the screw (B), and then pull the seatback trim from the walk-in lever (3) and walk-in lever lower escutcheon.



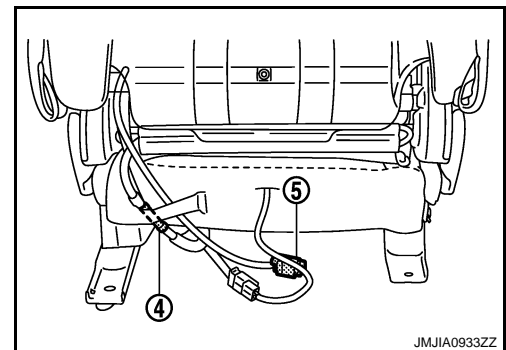
- Remove the seatback retainer, and then open the fastener.
- Remove the headrest holder.

**CAUTION:**

**Before installing headrest holder check its orientation. (front/rear and right/left)**



- Remove the seatback lower panel.
- Remove the side air bag module.
- Remove the side support hose joint (4) located backside the seat cushion. (Side support model only.)
- Disconnect the seatback heater unit harness connector (5).

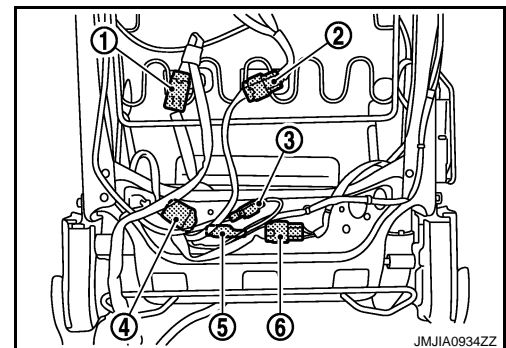


- Remove the seatback trim and seatback pad from the seatback frame.
- Remove the hog rings, and separate the seatback trim and seatback pad.

5. Remove the seatback silencer.

6. Disconnect the harness connectors.

- Disconnect the side support unit harness connector (1) and remove the harness clamp. (Side support model only.)
- Disconnect the reclining and slide relay harness connector (2) and remove the harness clamp.
- Disconnect the power walk-in switch harness connector (3).
- Disconnect the forward switch harness connector (4).
- Disconnect the lumbar support motor harness connector (5) and remove the harness clamp. (Power lumbar support model only.)
- Disconnect the reclining motor harness connector (6) and remove the harness clamp.
- Disconnect the slide switch (seatback) harness connector. (Passenger's seat only)




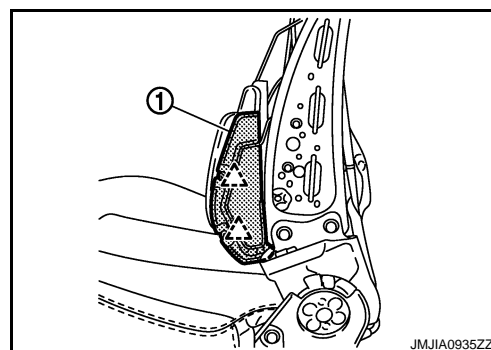
7. Remove the side support bag and unit. (Side support model only.)

## FRONT SEAT

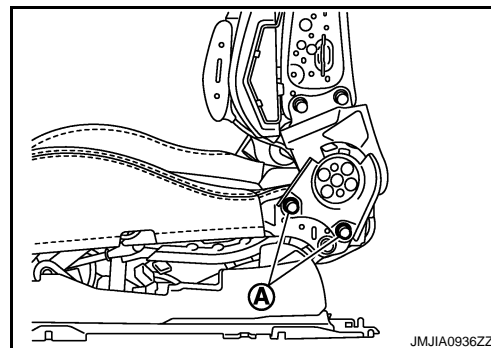
### < REMOVAL AND INSTALLATION >

- Remove the pawls, and then remove side support bag (1).
- Remove the side support unit.

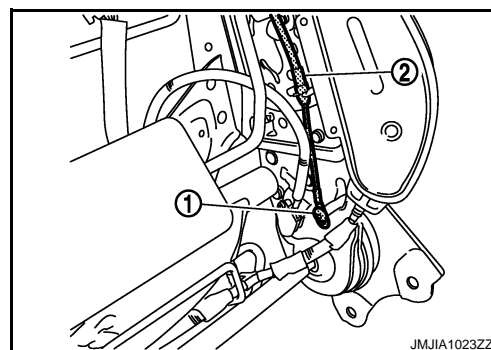
 : Pawl



8. Remove the seatback frame.  
Remove the seatback frame mounting bolt (A).



9. Remove the reclining device outer cover (front, rear).  
10. Remove the reclining device inner cover (front, rear).  
11. Remove the reclining device wire.
  - Remove the push nut (1).
  - Remove the reclining device wire (2) from the seatback frame and walk-in lever.



12. Remove the walk-in lever.

Assembly

Assemble in the reverse order of disassembly.

#### **CAUTION:**

**Install the hog rings of seatback trim in position, and then securely connect the trim or trim cord with the pad side wire.**

### SEAT CUSHION

Disassembly

#### **CAUTION:**

- **Never disassemble front passenger seat cushion assembly.**
- **Always replace as an assembly.**
- **For front passenger seat service parts, refer to the service part catalogue.**

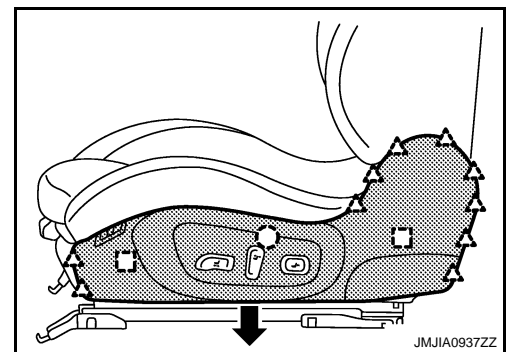
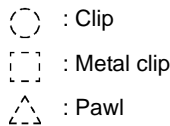
1. Remove the seat cushion outer finisher.

A  
B  
C  
D  
E  
F  
G  
H  
I  
SE  
K  
L  
M  
N  
O  
P

## FRONT SEAT

### < REMOVAL AND INSTALLATION >

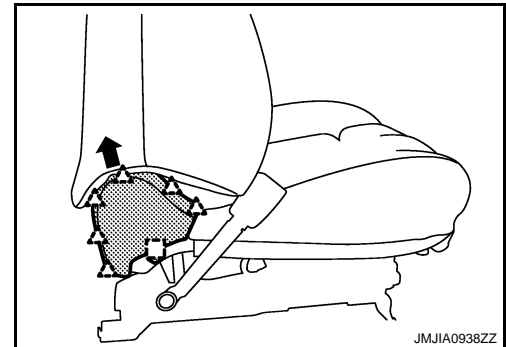
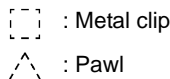
- Remove the metal clips, clips and pawls, and then pull out seat cushion outer finisher.



- Disconnect the seat control switch, lumbar support switch and side support switch harness connector.
- Remove the seat cushion outer finisher inside (front, rear).

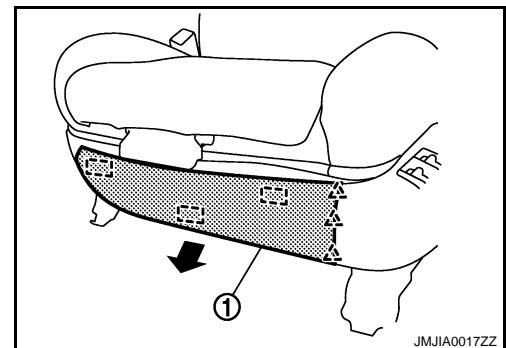
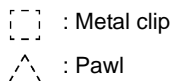
#### 2. Remove the seat cushion inner finisher.

- Remove the seat cushion inner finisher inside (front, rear) by releasing the metal clip and pull it up together with the cover.
- Remove the seat cushion inner finisher inside (front, rear) from the seat cushion inner finisher by releasing the pawls.



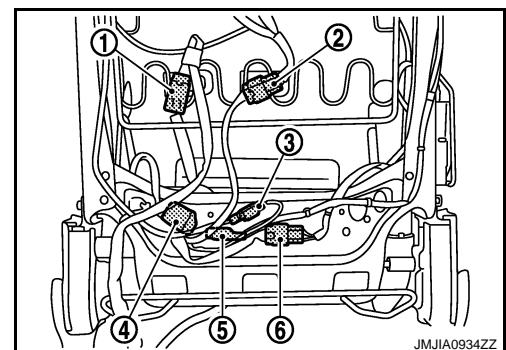
#### 3. Remove the seat cushion front finisher.

- Remove the metal clips, and then pull out seat cushion front finisher (1).



#### 4. Remove the seatback assembly.

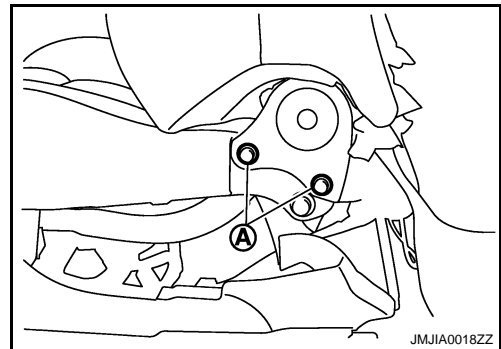
- Remove the seatback lower panel.
- Disconnect the side support unit harness connector (1) and remove the harness clamp. (Side support model only.)
- Disconnect the reclining and slide relay harness connector (2) and remove the harness clamp.
- Disconnect the power walk-in switch harness connector (3).
- Disconnect the forward switch harness connector (4).
- Disconnect the lumbar support motor harness connector (5) and remove the harness clamp. (Power lumbar support model only.)
- Disconnect the reclining motor harness connector (6) and remove the harness clamp.
- Disconnect the slide switch (seatback) harness connector. (Passenger's seat only)
- Remove the side support hose joint located backside the seat cushion. (Side support model only.)
- Remove the seat cushion retainer, and then side air bag harness clamp and seatback heater unit harness connector.



## FRONT SEAT

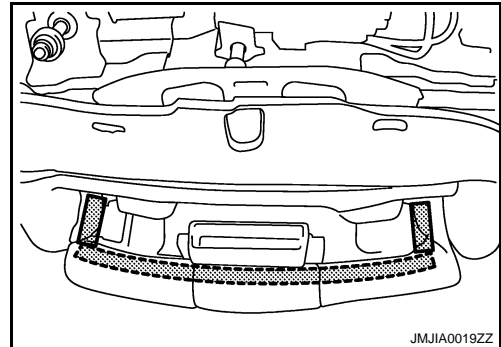
### < REMOVAL AND INSTALLATION >

- Remove the seatback mounting bolts (A), and then remove the seatback assembly.



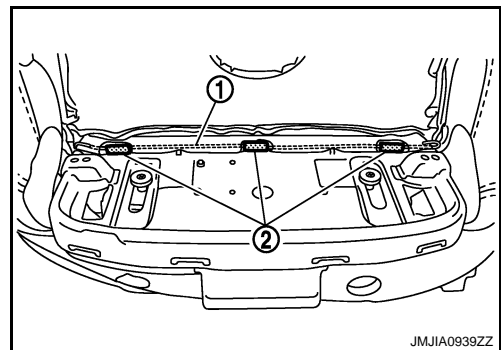
5. Remove the seat cushion pad (front). (Thigh extension model only.)

- Remove the retainer.
- Remove the seat cushion pad (front).

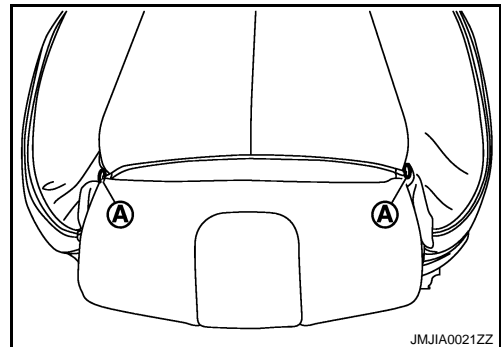


6. Remove the seat cushion trim and seat cushion pad.

- Remove the seat cushion trim wire (1) from the hook (2).



- Remove the clips (A). (Thigh extension model only.)



- Remove the seat cushion retainer.
- Disconnect the seat cushion heater unit harness connector.
- Remove the hog rings, and separate the seat cushion trim and seat cushion pad.

7. Remove the side support bag. (Side support model only.)


- Remove the hose clamp.

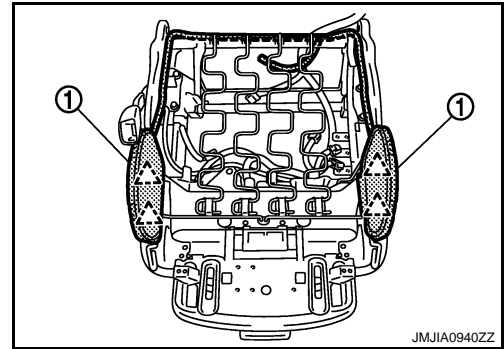
A  
B  
C  
D  
E  
F  
G  
H  
I  
SE  
K  
L  
M  
N  
O  
P

# FRONT SEAT


## < REMOVAL AND INSTALLATION >

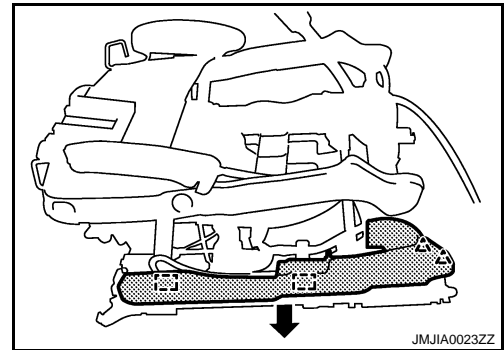
- Remove the pawls, and then remove side support bag (1).

 : Pawl




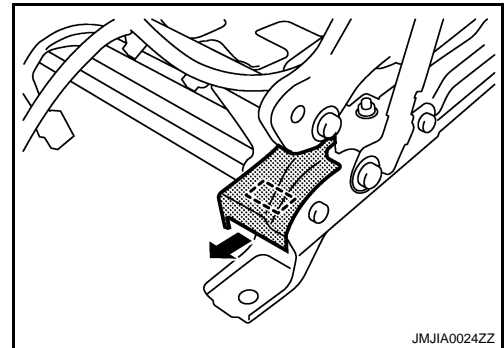
- Remove the seat slide outer finisher.
  - Remove the metal clip and pawls, and then pull out seat slide outer finisher (outside).
  - Remove the metal clip, and then pull out seat slide outer finisher (inside).

 : Metal clip



- Remove the seat slide inner finisher.  
Remove the metal clip, and then pull out seat slide inner finisher.

 : Metal clip



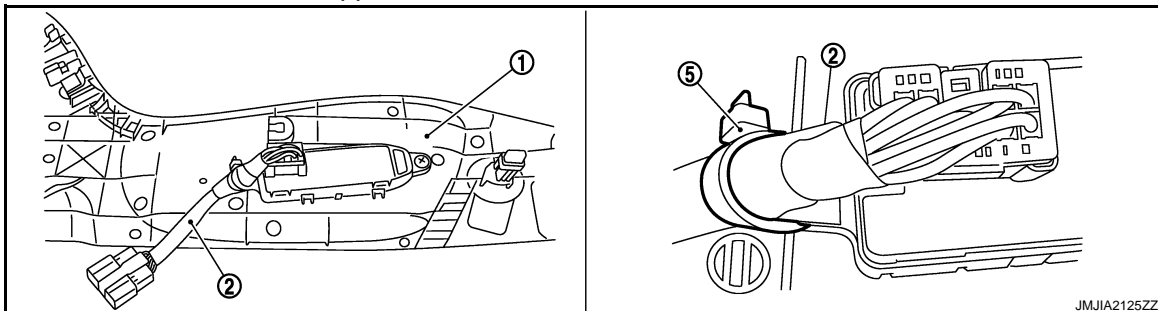
### Assembly

- Assemble in the reverse order of disassembly.

#### **CAUTION:**

**Install the hog rings of seat cushion trim in position, and then securely connect the trim or trim cord with the pad side wire.**

- Front seat switch harness layout.
  - Normal seat without lumbar support switch

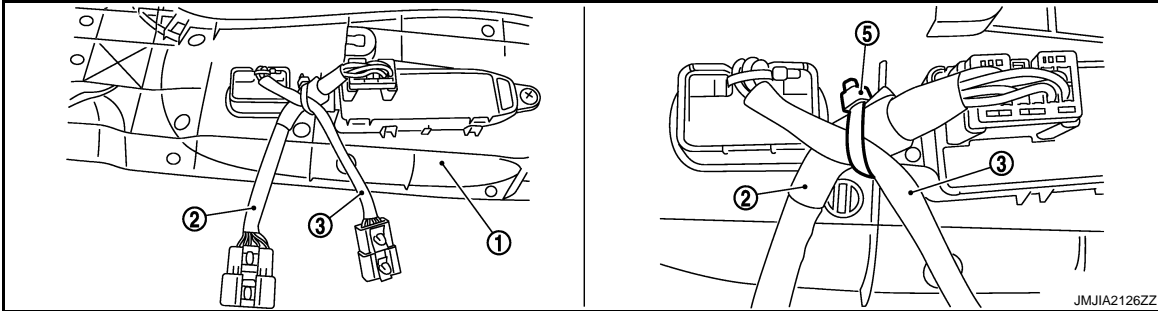


Fix seat control harness (2) to seat cushion outer finisher (1) boss using a self locking band (5) as shown in the figure.

# FRONT SEAT

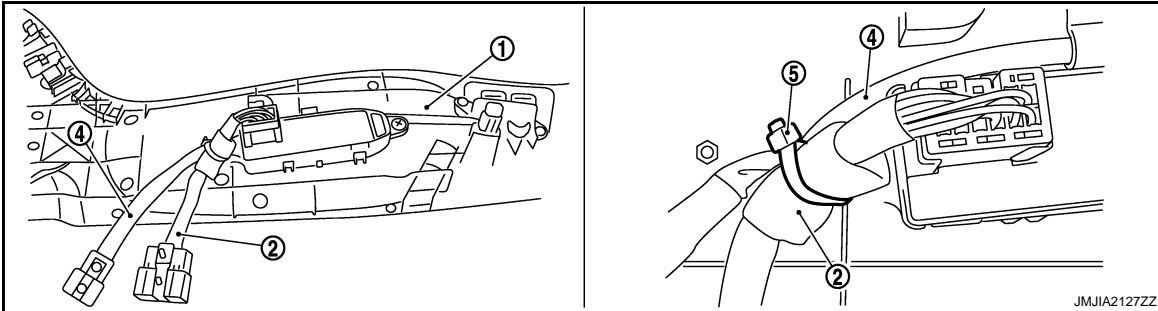
## < REMOVAL AND INSTALLATION >

### b. Normal seat with lumbar support switch



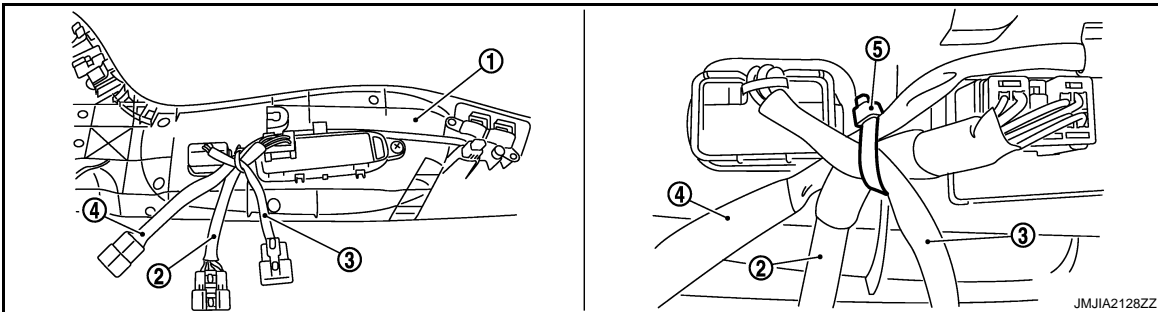
Locate lumbar support switch harness (3) in the forehand position, cross seat control harness (2), and fix to seat cushion outer finisher (1) boss using a self locking band (5) as shown in the figure.

### c. Sport seat without lumbar support switch



Locate side support switch harness (4) in the upper position of seat control harness (2) and fix to seat cushion outer finisher (1) boss using a self locking band (5) as shown in the figure.

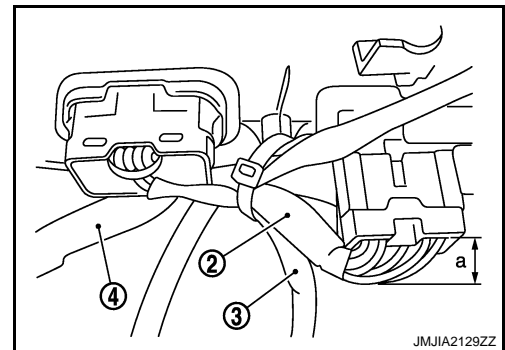
### d. Sport seat with lumbar support switch



Locate side support switch harness (4) in the upper position of seat control harness (2). Locate lumbar support switch harness (3) crossing in the forehand position, and fix to seat cushion outer finisher (1) boss using a self locking band (5) as shown in the figure.

### CAUTION:

- Adjust and fix that the ejected length (a) of harness is 10 mm (0.39 in) or less from the backside of connector for the seat control harness (2) switch side.
- Fix lumbar support switch harness (3) and side support switch harness (4) without slack.

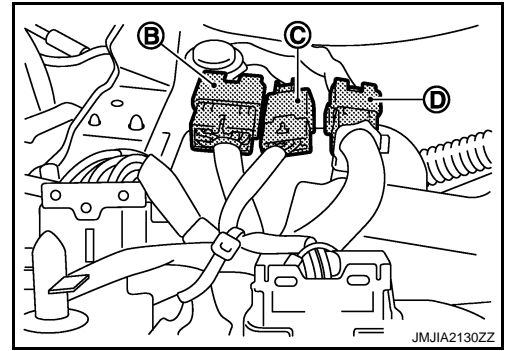


A  
B  
C  
D  
E  
F  
G  
H  
I  
SE  
K  
L  
M  
N  
O  
P

## FRONT SEAT

### < REMOVAL AND INSTALLATION >

- Locate lumbar support switch harness crossing in the upper position, fix seat control harness connector (B), lumbar support switch harness connector (C), and side support harness connector (D) as shown in the figure.





# REAR SEAT

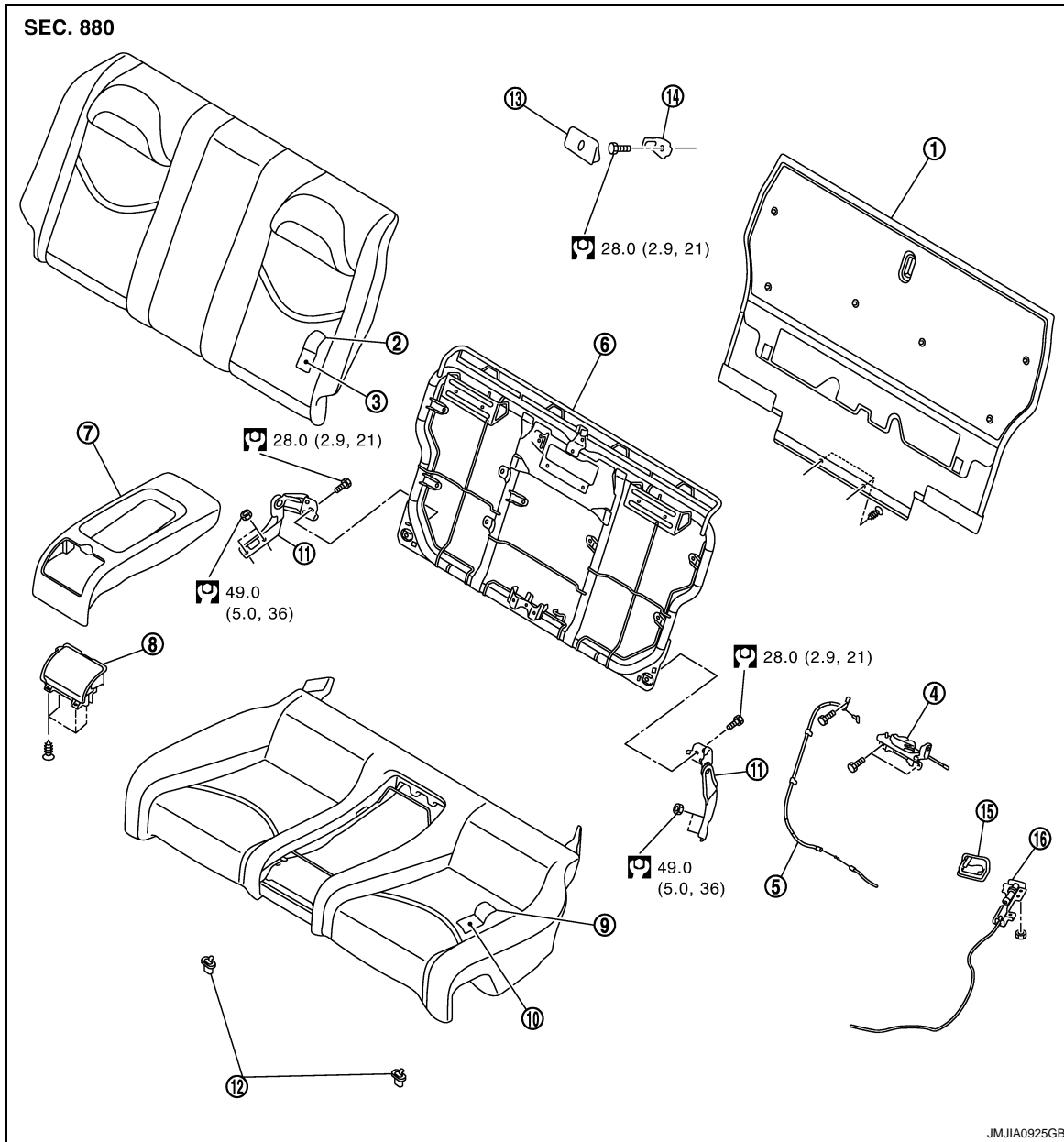
< REMOVAL AND INSTALLATION >

## REAR SEAT

Exploded View

INFOID:000000005657469

REAR SEAT



- |                            |                           |                                   |
|----------------------------|---------------------------|-----------------------------------|
| 1. Seatback board          | 2. Seatback trim          | 3. Seatback pad                   |
| 4. Seatback lock assembly  | 5. Seatback lock cable    | 6. Seatback frame                 |
| 7. Center tray             | 8. Cup holder             | 9. Seat cushion trim              |
| 10. Seat cushion pad       | 11. Seatback side bracket | 12. Seat cushion hook             |
| 13. Seat striker cover     | 14. Seat striker          | 15. Seat control lever escutcheon |
| 16. Seatback control cable |                           |                                   |

Refer to [GI-4, "Components"](#) for symbols in the figure.

## Removal and Installation

INFOID:000000005657470

### REMOVAL

**CAUTION:**

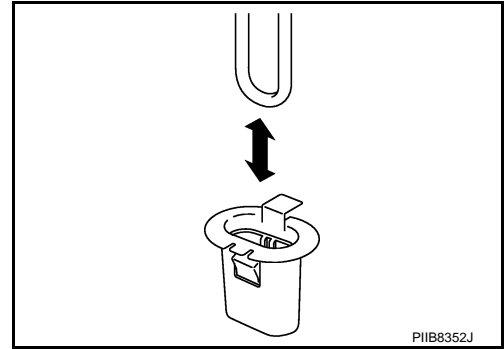
A  
B  
C  
D  
E  
F  
G  
H  
I  
SE  
K  
L  
M  
N  
O  
P

## REAR SEAT

### < REMOVAL AND INSTALLATION >

**When removing and installing, use shop cloths to protect parts from damage.**

1. Remove the seat cushion.
  - Pull the seat cushion up, and then remove the seat cushion from the seat cushion hook.
  - Remove the seat cushion from the vehicle.



2. Remove the seatback.
  - Remove the seatback control cable. Refer to [SE-204. "Removal and Installation"](#).
  - Remove the seatback mounting bolt.
  - Remove the seatback frame the vehicle.
3. Remove the seatback side bracket.
  - Remove the seatback side bracket mounting nuts.
  - Remove the seatback side bracket from the vehicle.
4. Remove the seat striker.
  - Remove the seat striker cover.
  - Remove the seat striker mounting bolt.

### INSTALLATION

Install in the reverse order of removal.

#### **CAUTION:**

**When removing and installing, use shop cloths to protect parts from damage.**

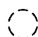
### Disassembly and Assembly

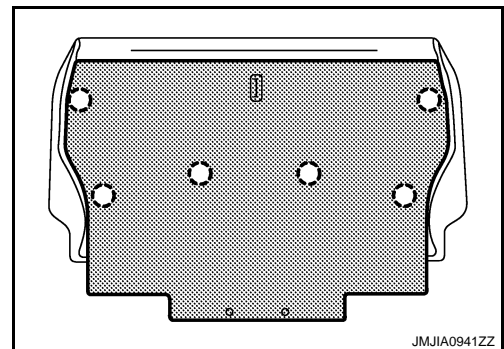
INFOID:000000005657471

### SEATBACK

#### Disassembly

1. Remove the seatback board.  
Remove the clips.

 : Clip



2. Remove the seatback trim and seatback pad.
  - Remove the hog rings, and remove the seatback retainer.
  - Remove the hog rings to separate the seatback trim and seatback pad.
3. Remove the seatback lock cable.
  - Remove the mounting bolt and cable clamp.
  - Remove the seatback lock cable from the seatback frame.
4. Remove the seatback lock assembly.
  - Remove the seatback lock assembly mounting bolt.
  - Remove the seatback lock assembly from the seatback frame.

#### Assembly

Assemble in the reverse order of disassembly.

# REAR SEAT

## < REMOVAL AND INSTALLATION >

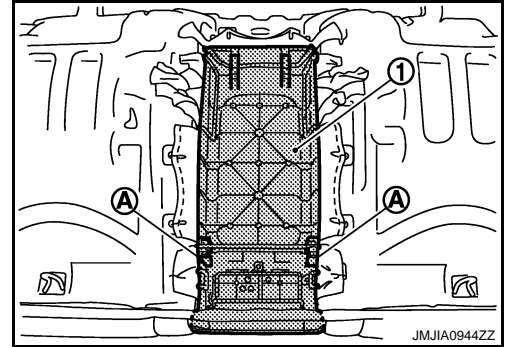
### **CAUTION:**

Install the hog rings of seatback trim in position, and then securely connect the trim or trim cord with the seatback frame.

### SEAT CUSHION

#### Disassembly

1. Remove the center tray.
  - Remove the clips (A) from the seat cushion backside, and then remove pawls when pulling the center tray (1).



- Remove the center tray from the seat cushion assembly.
2. Remove the seat cushion trim and seat cushion pad.  
Remove the hog rings to separate the seat cushion trim and seat cushion pad.

#### Assembly

Assemble in the reverse order of disassembly.

### **CAUTION:**

Install the hog rings of seat cushion trim in position, and then securely connect the trim or trim cord with the seat cushion pad wire.

A  
B  
C  
D  
E  
F  
G  
H  
I  
K  
L  
M  
N  
O  
P

SE

# SEATBACK CONTROL CABLE

< REMOVAL AND INSTALLATION >

## SEATBACK CONTROL CABLE

### Exploded View

INFOID:000000005657472

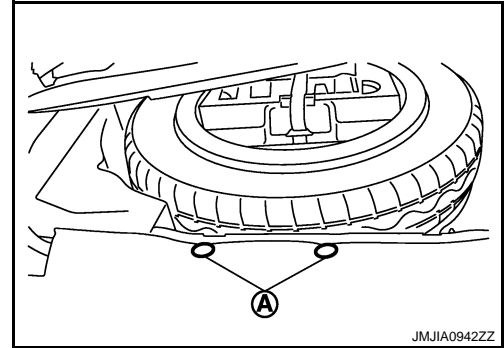
Refer to [SE-201, "Exploded View"](#).

### Removal and Installation

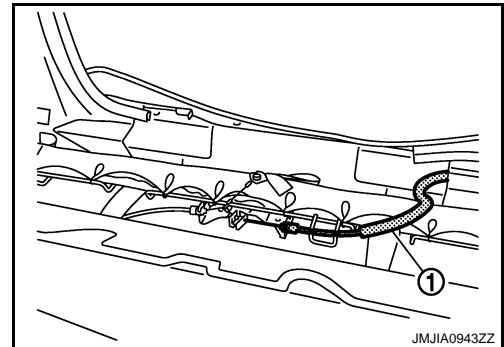
INFOID:000000005657473

#### REMOVAL

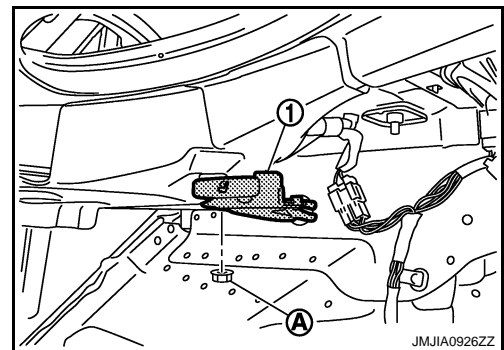
1. Remove the trunk front finisher upper. Refer to [INT-28, "Removal and Installation"](#).
2. Remove the seatback control cable.
  - Fold the seatback before.
  - Remove the clips (A), and then pull up the seatback lower part.



- Remove the seatback control cable (1) from the seatback frame.



- Remove the seatback control cable mounting nut (A).
- Remove the seatback control cable (1) from the vehicle.



#### INSTALLATION

Install in the reverse order of removal.

# DRIVER SEAT CONTROL UNIT

< REMOVAL AND INSTALLATION >

## DRIVER SEAT CONTROL UNIT

### Exploded View

INFOID:0000000005657474

Refer to [SE-188, "Exploded View"](#).

### Removal and Installation

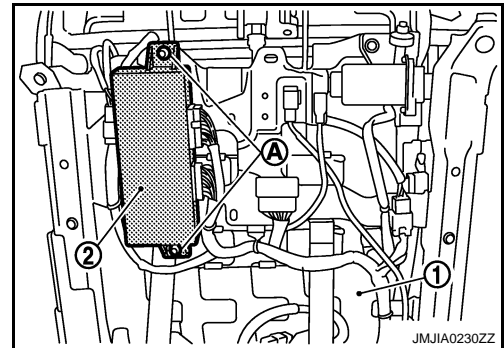
INFOID:0000000005657475

#### REMOVAL

##### **CAUTION:**

**When removing and installing, use shop cloths to protect parts from damage.**

1. Remove driver seat (1). Refer to [SE-191, "Removal and Installation"](#).
2. Remove mounting bolts (A).
3. Remove driver seat control unit (2).



#### INSTALLATION

Install in the reverse order of removal.

##### **CAUTION:**

**Always clamp the harness to the right place.**

A  
B  
C  
D  
E  
F  
G  
H  
I  
K  
L  
M  
N  
O  
P

SE

# PASSENGER SEAT CONTROL UNIT

< REMOVAL AND INSTALLATION >

---

## PASSENGER SEAT CONTROL UNIT

### Exploded View

INFOID:000000005657476

Refer to [SE-188, "Exploded View"](#).

### Removal and Installation

INFOID:000000005657477

#### REMOVAL

**CAUTION:**

**When removing and installing, use shop cloths to protect parts from damage.**

**NOTE:**

The same procedure is performed for driver side. Refer to [SE-205, "Removal and Installation"](#).

#### INSTALLATION

Install in the reverse order of removal.

**CAUTION:**

**Always clamp the harness to the right place.**

# HEATED SEAT CONTROL UNIT

< REMOVAL AND INSTALLATION >

## HEATED SEAT CONTROL UNIT

### Exploded View

INFOID:000000005657478

Refer to [SE-188, "Exploded View"](#).

### Removal and Installation

INFOID:000000005657479

#### REMOVAL

**CAUTION:**

**When removing and installing, use shop cloths to protect parts from damage.**

1. Remove the front seat.
2. Disconnect heated seat control unit connector.
3. Remove the heated seat control unit from the heated seat control unit stay. Refer to [SE-188, "Exploded View"](#).

#### INSTALLATION

Install in the reverse order of removal.

**CAUTION:**

**Always clamp the harness to the right place.**

A  
B  
C  
D  
E  
F  
G  
H  
I  
K  
L  
M  
N  
O  
P

SE

# AUTOMATIC DRIVE POSITIONER CONTROL UNIT

< REMOVAL AND INSTALLATION >

## AUTOMATIC DRIVE POSITIONER CONTROL UNIT

### Exploded View

INFOID:000000005657480

Refer to [IP-12. "A/T MODELS : Exploded View"](#) (A/T models) or [IP-22. "M/T MODELS : Exploded View"](#) (M/T models).

### Removal and Installation

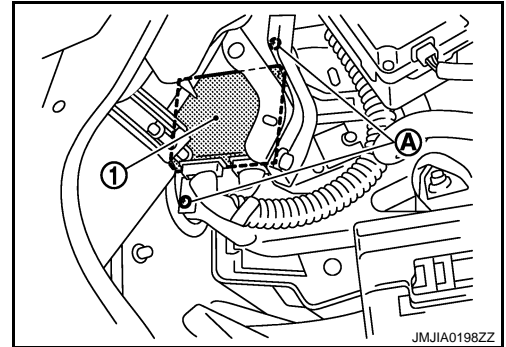
INFOID:000000005657481

#### REMOVAL

##### **CAUTION:**

**When removing and installing, use shop cloths to protect parts from damage.**

1. Remove the battery negative terminal.
2. Remove the instrument driver lower panel. Refer to [IP-13. "A/T MODELS : Removal and Installation"](#) (A/T models) or [IP-23. "M/T MODELS : Removal and Installation"](#) (M/T models).
3. Remove the screws (A).
4. Remove automatic drive positioner control unit (1).



#### INSTALLATION

Install in the reverse order of removal.

##### **CAUTION:**

**Always clamp the harness to the right place.**



# POWER SEAT SWITCH

< REMOVAL AND INSTALLATION >

## POWER SEAT SWITCH

### Removal and Installation

INFOID:000000005657482

#### REMOVAL

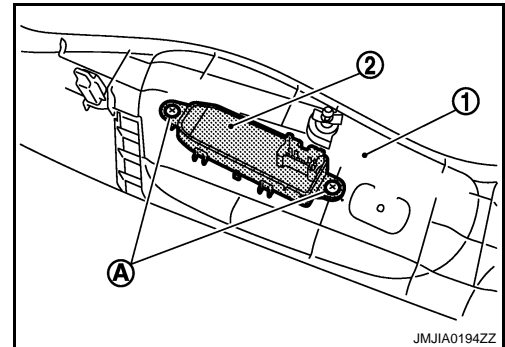
**CAUTION:**

When removing and installing, use shop cloths to protect parts from damage.

**NOTE:**

The same procedure is performed for driver side and passenger side.

1. Remove the seat cushion outer finisher (1). Refer to [SE-191](#). "[Removal and Installation](#)".
2. Remove the screws (A).
3. Remove the power seat switch (2) from the seat cushion outer finisher.



#### INSTALLATION

Install in the reverse order of removal.

**CAUTION:**

Always clamp the harness to the right place.

A  
B  
C  
D  
E  
F  
G  
H  
I  
K  
L  
M  
N  
O  
P

SE

# SLIDING SWITCH

< REMOVAL AND INSTALLATION >

## SLIDING SWITCH SEATBACK

### SEATBACK : Removal and Installation

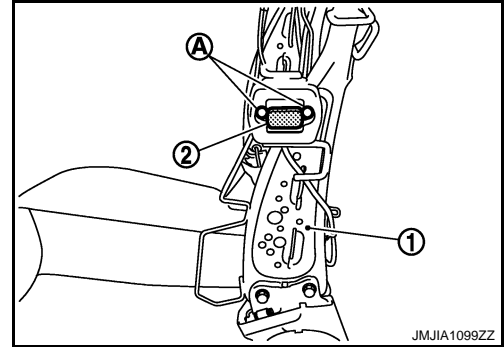
INFOID:000000005657483

#### REMOVAL

**CAUTION:**

When removing and installing, use shop cloths to protect parts from damage.

1. Remove seatback pad. Refer to [SE-191. "Removal and Installation"](#).
2. Remove screws (A).
3. Disconnect seat sliding switch (seatback) connector.
4. Remove seat sliding switch (seatback) (2) from seatback frame (1).



JMJIA1099ZZ

#### INSTALLATION

Install in the reverse order of removal.

**CAUTION:**

Always clamp the harness to the right place.

# SIDE SUPPORT SWITCH

< REMOVAL AND INSTALLATION >

## SIDE SUPPORT SWITCH

### Removal and Installation

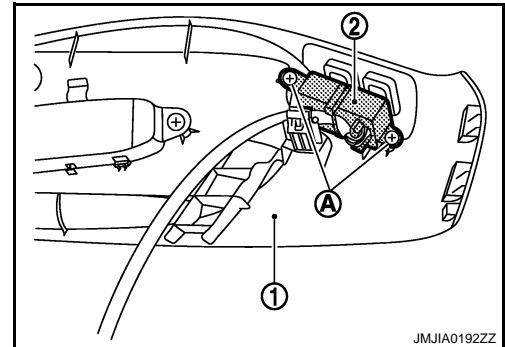
INFOID:000000005657484

#### REMOVAL

**CAUTION:**

**When removing and installing, use shop cloths to protect parts from damage.**

1. Remove seat cushion outer finisher (1). Refer to [SE-191, "Removal and Installation"](#).
2. Remove screws (A).
3. Remove side support switch (2) from seat cushion outer finisher.



#### INSTALLATION

Install in the reverse order of removal.

**CAUTION:**

**Always clamp the harness to the right place.**

A  
B  
C  
D  
E  
F  
G  
H  
I  
K  
L  
M  
N  
O  
P

SE

# LUMBAR SUPPORT SWITCH

< REMOVAL AND INSTALLATION >

## LUMBAR SUPPORT SWITCH

### Removal and Installation


INFOID:000000005657485

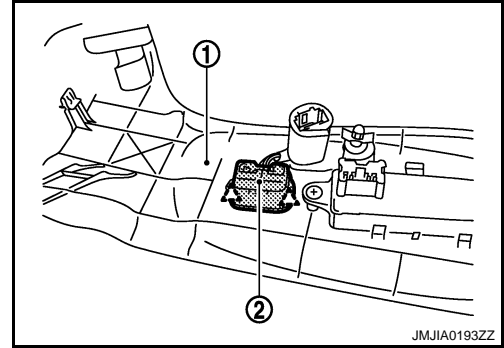
#### REMOVAL

##### **CAUTION:**

**When removing and installing, use shop cloths to protect parts from damage.**

1. Remove seat cushion outer finisher (1). Refer to [SE-191](#), "[Removal and Installation](#)".
2. Remove lumbar support switch (2).

 : Pawl



#### INSTALLATION

Install in the reverse order of removal.

##### **CAUTION:**

**Always clamp the harness to the right place.**

# HEATED SEAT SWITCH

< REMOVAL AND INSTALLATION >

## HEATED SEAT SWITCH

### Exploded View

INFOID:000000005657486

Refer to [IP-33. "A/T MODELS : Exploded View"](#) (A/T models) or [IP-38. "M/T MODELS : Exploded View"](#) (M/T models).

### Removal and Installation


INFOID:000000005657487

#### REMOVAL

##### CAUTION:

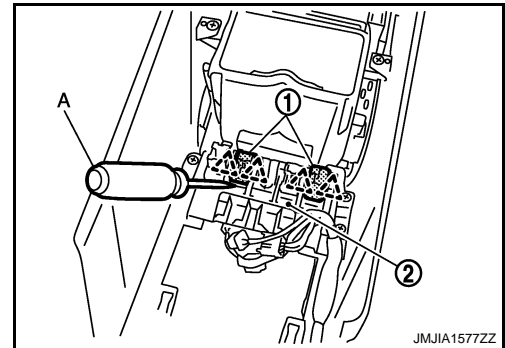
**When removing and installing, use shop cloths to protect from damage.**

1. Remove the console body assembly. Refer to [IP-34. "A/T MODELS : Removal and Installation"](#) (A/Y models) or [IP-38. "M/T MODELS : Removal and Installation"](#) (M/T models).
2. Remove heated seat switch (1) from switch bracket (2) with flat-bladed screwdriver (A).

 : Pawl

##### NOTE:

The same procedure is performed for passenger side.



#### INSTALLATION

Install in the reverse order of removal.

A  
B  
C  
D  
E  
F  
G  
H  
I

SE

K  
L  
M  
N  
O  
P