

SECTION **SRC**

SRS AIRBAG CONTROL SYSTEM

A
B
C
D
E
F
G
H
I
J
K
L
M
N
O
P

CONTENTS

<p>BASIC INSPECTION 5</p> <p>DIAGNOSIS AND REPAIR WORK FLOW 5</p> <p style="padding-left: 20px;">Work Flow5</p> <p>SYSTEM DESCRIPTION 7</p> <p>SRS AIR BAG SYSTEM 7</p> <p style="padding-left: 20px;">System Diagram7</p> <p style="padding-left: 20px;">System Description7</p> <p style="padding-left: 20px;">Component Parts Location8</p> <p style="padding-left: 20px;">Component Description9</p> <p>OCCUPANT CLASSIFICATION SYSTEM10</p> <p style="padding-left: 20px;">System Diagram10</p> <p style="padding-left: 20px;">System Description10</p> <p style="padding-left: 20px;">Component Parts Location10</p> <p style="padding-left: 20px;">Component Description11</p> <p>PASSENGER SEAT BELT WARNING SYSTEM12</p> <p style="padding-left: 20px;">System Diagram12</p> <p style="padding-left: 20px;">System Description12</p> <p style="padding-left: 20px;">Component Parts Location13</p> <p style="padding-left: 20px;">Component Description13</p> <p>DIAGNOSIS SYSTEM (AIRBAG)14</p> <p style="padding-left: 20px;">Diagnosis Description14</p> <p style="padding-left: 20px;">Air Bag Warning Lamp Diagnosis14</p> <p style="padding-left: 20px;">CONSULT-III Function19</p> <p>DTC/CIRCUIT DIAGNOSIS20</p> <p>B1001, B1002, B1003, B1004, B1005 DIAGNOSIS SENSOR UNIT20</p> <p style="padding-left: 20px;">Description20</p> <p style="padding-left: 20px;">DTC Logic20</p> <p style="padding-left: 20px;">Diagnosis Procedure20</p> <p>B1006, B1007, B1008, B1009, B1010 DIAGNOSIS SENSOR UNIT22</p> <p style="padding-left: 20px;">Description22</p>	<p style="padding-left: 20px;">DTC Logic22</p> <p style="padding-left: 20px;">Diagnosis Procedure22</p> <p>B1011, B1012, B1013, B1014, B1015 DIAGNOSIS SENSOR UNIT24</p> <p style="padding-left: 20px;">Description24</p> <p style="padding-left: 20px;">DTC Logic24</p> <p style="padding-left: 20px;">Diagnosis Procedure24</p> <p>B1017, B1020, B1021 OCCUPANT SENS C/U26</p> <p style="padding-left: 20px;">Description26</p> <p style="padding-left: 20px;">DTC Logic26</p> <p style="padding-left: 20px;">Diagnosis Procedure26</p> <p>B1018 OCCUPANT SENS28</p> <p style="padding-left: 20px;">Description28</p> <p style="padding-left: 20px;">DTC Logic28</p> <p style="padding-left: 20px;">Diagnosis Procedure28</p> <p>B1022 OCCUPANT SENS C/U30</p> <p style="padding-left: 20px;">Description30</p> <p style="padding-left: 20px;">DTC Logic30</p> <p style="padding-left: 20px;">Diagnosis Procedure30</p> <p>B1023 PASS A/B INDCTR CKT32</p> <p style="padding-left: 20px;">Description32</p> <p style="padding-left: 20px;">DTC Logic32</p> <p style="padding-left: 20px;">Diagnosis Procedure32</p> <p>B1026, B1027, B1028, B1029, B1030, B1031 DIAGNOSIS SENSOR UNIT34</p> <p style="padding-left: 20px;">Description34</p> <p style="padding-left: 20px;">DTC Logic34</p> <p style="padding-left: 20px;">Diagnosis Procedure34</p> <p>B1033, B1034 CRASH ZONE SEN36</p> <p style="padding-left: 20px;">Description36</p> <p style="padding-left: 20px;">DTC Logic36</p> <p style="padding-left: 20px;">Diagnosis Procedure36</p> <p>B1035, B1036 CRASH ZONE SEN38</p>
---	---

SRC

Description	38	B1081 PRE-TEN FRONT RH	62
DTC Logic	38	Description	62
Diagnosis Procedure	38	DTC Logic	62
		Diagnosis Procedure	62
B1042, B1043, B1044, B1045, B1046, B1047		B1082 PRE-TEN FRONT RH	64
DIAGNOSIS SENSOR UNIT	40	Description	64
Description	40	DTC Logic	64
DTC Logic	40	Diagnosis Procedure	64
Diagnosis Procedure	40		
B1049, B1054 DRIVER AIRBAG MODULE	42	B1083 PRE-TEN FRONT RH	66
Description	42	Description	66
DTC Logic	42	DTC Logic	66
Diagnosis Procedure	42	Diagnosis Procedure	66
B1050, B1055 DRIVER AIRBAG MODULE	44	B1084 PRE-TEN FRONT RH	68
Description	44	Description	68
DTC Logic	44	DTC Logic	68
Diagnosis Procedure	44	Diagnosis Procedure	68
B1051, B1056 DRIVER AIRBAG MODULE	46	B1086 PRE-TEN FRONT LH	70
Description	46	Description	70
DTC Logic	46	DTC Logic	70
Diagnosis Procedure	46	Diagnosis Procedure	70
B1052, B1057 DRIVER AIRBAG MODULE	48	B1087 PRE-TEN FRONT LH	72
Description	48	Description	72
DTC Logic	48	DTC Logic	72
Diagnosis Procedure	48	Diagnosis Procedure	72
B1058, B1059, B1060, B1061, B1062, B1063		B1088 PRE-TEN FRONT LH	74
DIAGNOSIS SENSOR UNIT	50	Description	74
Description	50	DTC Logic	74
DTC Logic	50	Diagnosis Procedure	74
Diagnosis Procedure	50		
B1065, B1070 ASSIST A/B MODULE	52	B1089 PRE-TEN FRONT LH	76
Description	52	Description	76
DTC Logic	52	DTC Logic	76
Diagnosis Procedure	52	Diagnosis Procedure	76
B1066, B1071 ASSIST A/B MODULE	54	B1106, B1107, B1108, B1109, B1110, B1111	
Description	54	DIAGNOSIS SENSOR UNIT	78
DTC Logic	54	Description	78
Diagnosis Procedure	54	DTC Logic	78
		Diagnosis Procedure	78
B1067, B1072 ASSIST A/B MODULE	56	B1113, B1114 SATELLITE SENS RH	80
Description	56	Description	80
DTC Logic	56	DTC Logic	80
Diagnosis Procedure	56	Diagnosis Procedure	80
B1068, B1073 ASSIST A/B MODULE	58	B1115, B1116 SATELLITE SENS RH	82
Description	58	Description	82
DTC Logic	58	DTC Logic	82
Diagnosis Procedure	58	Diagnosis Procedure	82
B1074, B1075, B1076, B1077, B1078, B1079		B1118, B1119 SATELLITE SENS LH	84
DIAGNOSIS SENSOR UNIT	60	Description	84
Description	60	DTC Logic	84
DTC Logic	60	Diagnosis Procedure	84
Diagnosis Procedure	60		
		B1120, B1121 SATELLITE SENS LH	86

Description	86	Description	110
DTC Logic	86	DTC Logic	110
Diagnosis Procedure	86	Diagnosis Procedure	110
B1122, B1123, B1124, B1125, B1126, B1127		B1147 CURTAIN MODULE RH	112
DIAGNOSIS SENSOR UNIT	88	Description	112
Description	88	DTC Logic	112
DTC Logic	88	Diagnosis Procedure	112
Diagnosis Procedure	88	B1148 CURTAIN MODULE RH	114
B1129 SIDE MODULE RH	90	Description	114
Description	90	DTC Logic	114
DTC Logic	90	Diagnosis Procedure	114
Diagnosis Procedure	90	B1150 CURTAIN MODULE LH	116
B1130 SIDE MODULE RH	92	Description	116
Description	92	DTC Logic	116
DTC Logic	92	Diagnosis Procedure	116
Diagnosis Procedure	92	B1151 CURTAIN MODULE LH	118
B1131 SIDE MODULE RH	94	Description	118
Description	94	DTC Logic	118
DTC Logic	94	Diagnosis Procedure	118
Diagnosis Procedure	94	B1152 CURTAIN MODULE LH	120
B1132 SIDE MODULE RH	96	Description	120
Description	96	DTC Logic	120
DTC Logic	96	Diagnosis Procedure	120
Diagnosis Procedure	96	B1153 CURTAIN MODULE LH	122
B1134 SIDE MODULE LH	98	Description	122
Description	98	DTC Logic	122
DTC Logic	98	Diagnosis Procedure	122
Diagnosis Procedure	98	B1202, B1203, B1204, B1205, B1206, B1207	
B1135 SIDE MODULE LH	100	DIAGNOSIS SENSOR UNIT	124
Description	100	Description	124
DTC Logic	100	DTC Logic	124
Diagnosis Procedure	100	Diagnosis Procedure	124
B1136 SIDE MODULE LH	102	B1209 FRONTAL COLLISION DETECTION ..	126
Description	102	Description	126
DTC Logic	102	DTC Logic	126
Diagnosis Procedure	102	Diagnosis Procedure	126
B1137 SIDE MODULE LH	104	B1210 SIDE COLLISION DETECTION	128
Description	104	Description	128
DTC Logic	104	DTC Logic	128
Diagnosis Procedure	104	Diagnosis Procedure	128
B1138, B1139, B1140, B1141, B1142, B1143		ECU DIAGNOSIS INFORMATION	129
DIAGNOSIS SENSOR UNIT	106	DIAGNOSIS SENSOR UNIT	129
Description	106	DTC Index	129
DTC Logic	106	Wiring Diagram - SRS AIR BAG CONTROL SYS-	
Diagnosis Procedure	106	TEM -	133
B1145 CURTAIN MODULE RH	108	SYMPTOM DIAGNOSIS	140
Description	108	SRS AIR BAG WARNING LAMP DOES NOT	
DTC Logic	108	TURN OFF	140
Diagnosis Procedure	108	Diagnosis Procedure	140
B1146 CURTAIN MODULE RH	110		

A
B
C
D
E
F
G
I
J
K
L
M
N
O
P

SRC

SRS AIR BAG WARNING LAMP DOES NOT	PRECAUTIONS	143
TURN ON	Precaution for Supplemental Restraint System	
Diagnosis Procedure	(SRS) "AIR BAG" and "SEAT BELT PRE-TEN-	
	SIONER"	143
PASSENGER SEAT BELT WARNING SYS-	Service	143
TEM	Precaution for Battery Service	143
Diagnosis Procedure	Occupant Classification System	144
PRECAUTION		143

DIAGNOSIS AND REPAIR WORK FLOW

< BASIC INSPECTION >

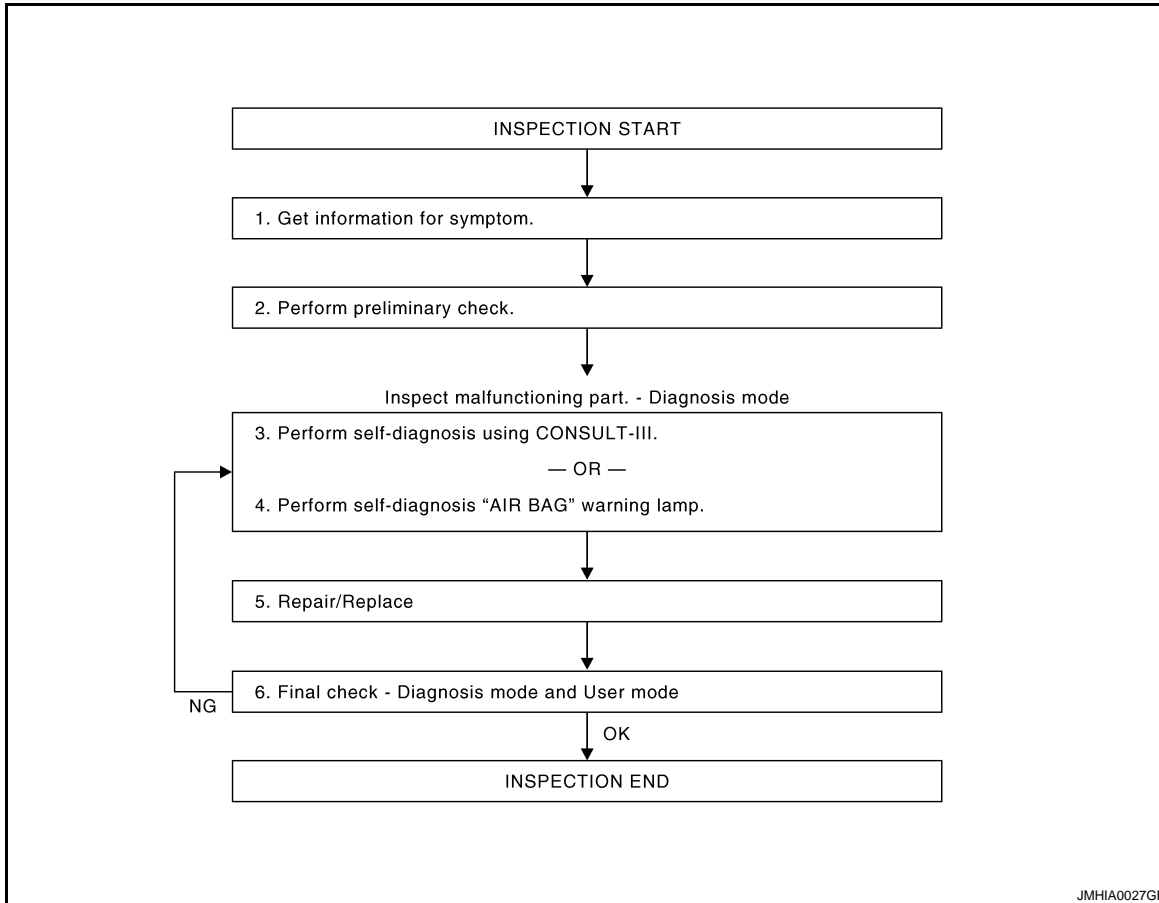
BASIC INSPECTION

DIAGNOSIS AND REPAIR WORK FLOW

Work Flow

INFOID:000000005656411

OVERALL SEQUENCE



DETAILED FLOW

1.GET INFORMATION FOR SYMPTOM

Get the detailed information from the customer about the symptom.

>> GO TO 2.

2.PERFORM PRELIMINARY CHECK

At the beginning of inspection, confirm the condition of power supply circuit, check that the battery is charged and fuses and fusible links are not blown.

Is the inspection result normal?

YES-1 >> GO TO 3. (With CONSULT-III)

YES-2 >> GO TO 4. (Without CONSULT-III)

NO >> Repair or replace the battery and fuse/fusible links.

3.PERFORM SELF-DIAGNOSIS USING "CONSULT-III"

Check the screen of CONSULT-III.

Is malfunctioning part detected?

YES >> GO TO 5.

NO >> Repeat DTC confirmation with diagnostic procedure.

DIAGNOSIS AND REPAIR WORK FLOW

< BASIC INSPECTION >

4.PERFORM SELF-DIAGNOSIS "AIR BAG" WARNING LAMP (WITHOUT CONSULT-III)

Check the warning lamp status.

Is malfunctioning part detected?

YES >> GO TO 5.

NO >> Repeat DTC confirmation with diagnostic procedure.

5.REPAIR OR REPLACE

Repair or replace the malfunctioning part.

After the malfunctioning is repaired, erase the self-diagnostic result. Refer to [SRC-14, "Diagnosis Description"](#).

>> GO TO 6.

6.FINAL CHECK

Check the screen of CONSULT-III and /or, Air bag warning lamp status.

Are all malfunctions corrected?

YES >> INSPECTION END

NO-1 >> GO TO 3. (With CONSULT-III)

NO-2 >> GO TO 4. (Without CONSULT-III)

SRS AIR BAG SYSTEM

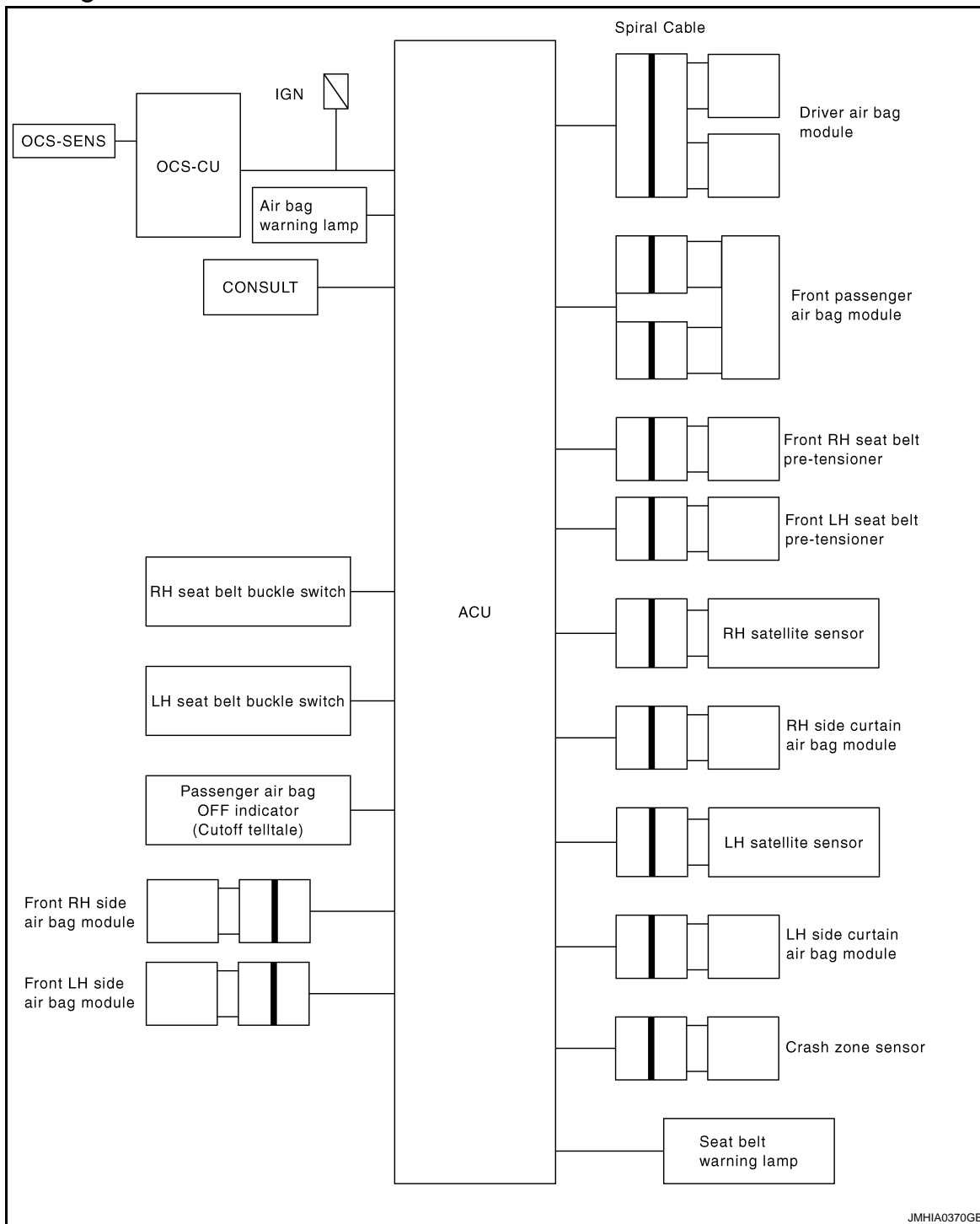
< SYSTEM DESCRIPTION >

SYSTEM DESCRIPTION

SRS AIR BAG SYSTEM

System Diagram

INFOID:0000000005656412



A
B
C
D
E
F
G
SRC
I
J
K
L
M
N
O
P

System Description

INFOID:0000000005656413

This SRS Air Bag System has the following functions.

- Detects a collision and supplies the energy for deploying air bag and seat belt pre-tensioner.
- Detects electrical malfunction in SRS Air Bag System and Seat Belt Pre-tensioner System, records malfunction code, and blinking air bag warning lamp.

SRS AIR BAG SYSTEM

< SYSTEM DESCRIPTION >

- Detects and records the deployment of air bag and seat belt pre-tensioner, and turns ON air bag warning lamp.
- Indicates malfunctioning portion with blinking times of air bag warning lamp in diagnosis mode.
- Indicates the malfunction record by CONSULT-III.
- Suppress the deployment of front passenger air bag when front passenger seat is empty or is occupied by a child or a child-seat.
When passenger seat is occupied by a child or a child seat, turns ON front passenger air bag OFF indicator.
- When judges that passenger seat is occupied by an adult or a child and passenger seat belt is not fastened, turns ON seat belt warning lamp.

COLLISION MODE

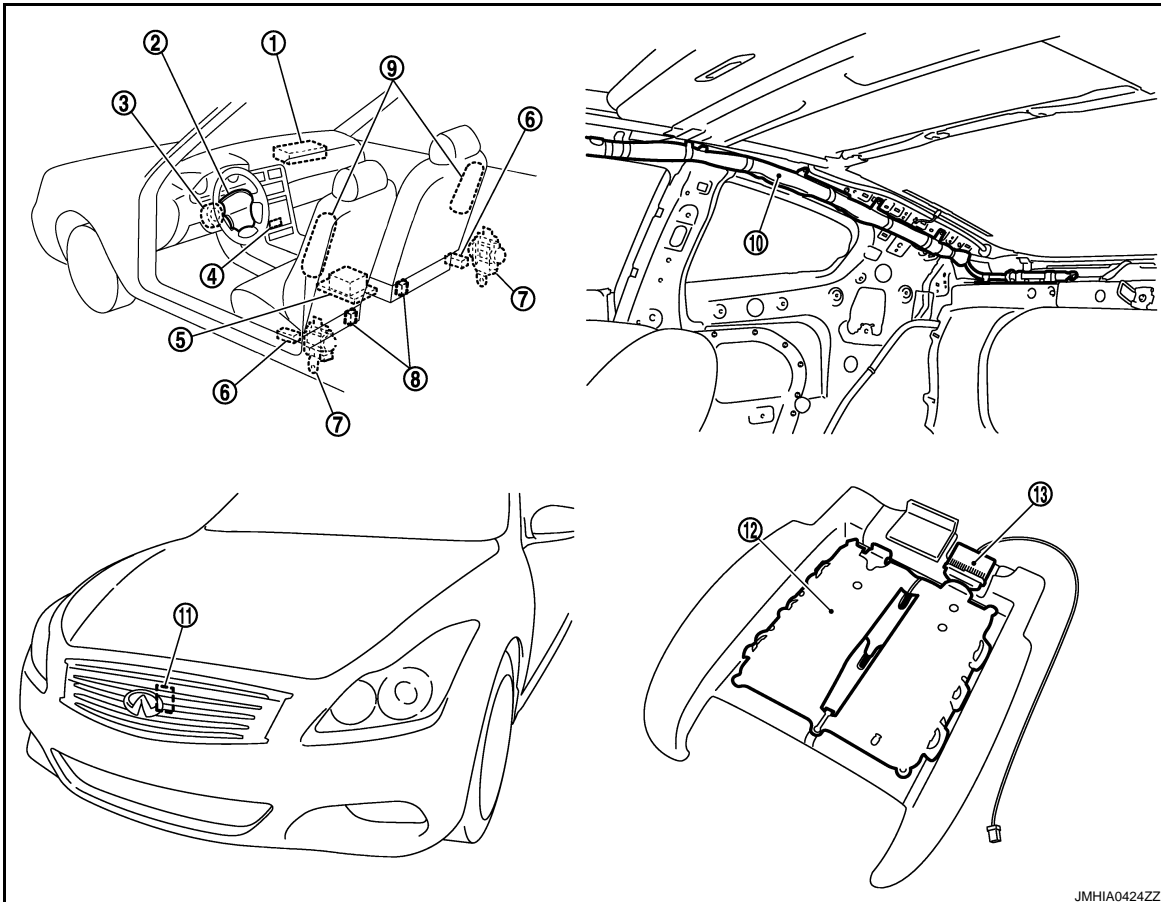
- The operation of supplemental restraint system is different depending on the collision modes applications. For example, the driver air bag module, front passenger air bag module and front seat belt pre-tensioner are activated in a frontal collision but not in a side collision.
- SRS configurations that are activated for some collision modes are as per the following.

×: Apply, —: Not apply

SRS configuration	Frontal collision	Left side collision	Right side collision
Driver air bag module.	×	—	—
Front passenger air bag module.	×	—	—
Front LH seat belt pre-tensioner.	×	—	—
Front RH seat belt pre-tensioner.	×	—	—
Front LH side air bag module.	—	×	—
Front RH side air bag module.	—	—	×
LH side curtain air bag module.	—	×	—
RH side curtain air bag module.	—	—	×

Component Parts Location

INFOID:000000005656414



JMHIA0424ZZ

SRS AIR BAG SYSTEM

< SYSTEM DESCRIPTION >

- | | | | |
|---|------------------------------------|--------------------------------------|---|
| 1. Front passenger air bag module | 2. Driver air bag module | 3. Spiral cable | A |
| 4. Passenger air bag off indicator (Cut-off telltale) | 5. Diagnosis sensor unit (ACU) | 6. Satellite sensor (LH/RH) | B |
| 7. Front seat belt pre-tensioner (LH/RH) | 8. Seat belt buckle switch (LH/RH) | 9. Front side air bag module (LH/RH) | B |
| 10. Curtain air bag module | 11. Crash zone sensor | 12. OCS seat sensor mat | C |
| 13. OCS control unit | | | C |

Component Description

INFOID:000000005656415

Component	Function
Air bag diagnosis sensor unit	Detects a collision and supplies power supply for deployment to air bag module and pre-tensioner seat belt.
Air bag module <ul style="list-style-type: none"> • Driver • Passenger • Front side • Side curtain 	Receives signal from air bag diagnosis sensor unit and deploys air bag.
Front seat belt pre-tensioner	Receives signal from air bag diagnosis sensor unit and deploys pre-tensioner seat belt.
Seat belt buckle switch	Controls deployment timing depending on the seat belt condition that is fastened or unfastened.
Crash zone sensor	Transmits signal to air bag diagnosis sensor unit when a frontal collision occurs.
Satellite sensor (LH/RH)	Transmits signal to air bag diagnosis sensor unit when a side collision occurs.
Occupant Classification System	Detects front passenger seat occupant and judges whether or not deploys front passenger seat air bag.
Combination meter (air bag warning lamp)	Indicates air bag malfunctioning and deployment by blinking and illuminating air bag warning lamp.
Front passenger air bag OFF indicator	Indicates whether or not front passenger air bag is in activation mode subject to the judgement by Occupant Classification System.
Combination switch (spiral cable)	Supplies power supply to driver air bag module on steering wheel.

SRC

I

J

K

L

M

N

O

P

OCCUPANT CLASSIFICATION SYSTEM

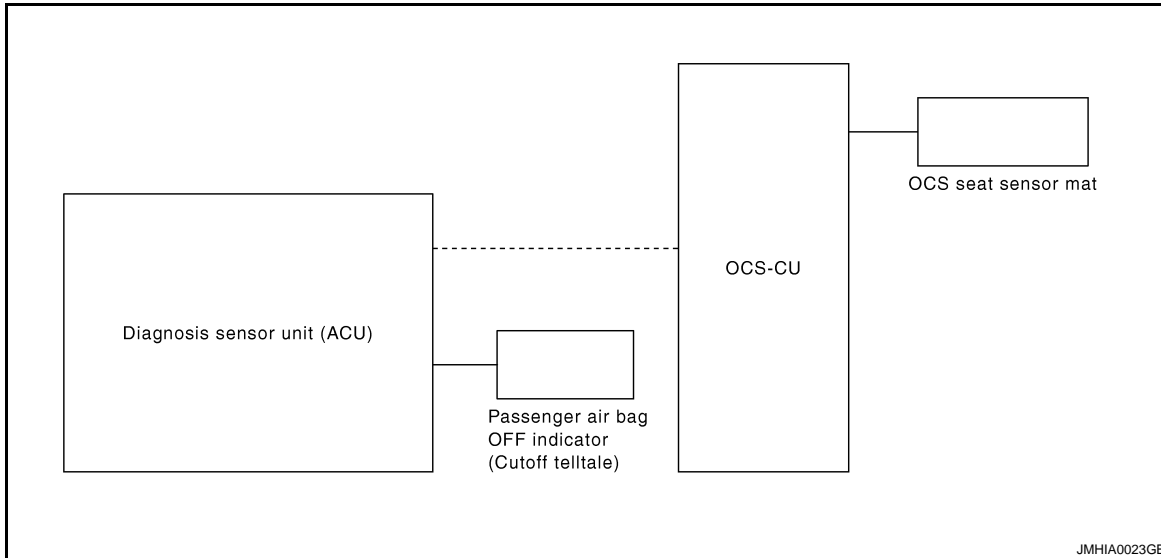
< SYSTEM DESCRIPTION >

OCCUPANT CLASSIFICATION SYSTEM

System Diagram

INFOID:000000005656416

OCCUPANT CLASSIFICATION SYSTEM



JMHIA0023GB

System Description

INFOID:000000005656417

THIS OCCUPANT CLASSIFICATION SYSTEM HAS THE FOLLOWING FUNCTIONS

1. Suppress the deployment of front passenger air bag when front passenger seat is empty, or when occupied by child and child-seat. Turns ON front passenger air bag OFF indicator when front passenger seat is occupied by child-seat and child.
2. Indicates malfunction portion with blinking times of air bag warning lamp in diagnosis mode.
3. Indicates the malfunctioning record by CONSULT-III.

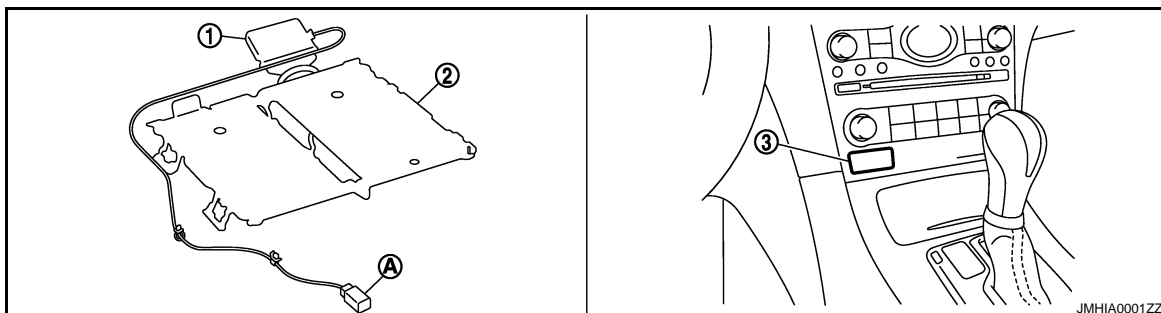
NOTE:

Operation of air bag diagnosis sensor unit when air bag diagnosis sensor unit receives information from Occupant Classification System.

Status (front passenger seat)	Passenger air bag	Front passenger air bag OFF indicator	Air bag warning lamp	Seat belt warning lamp (when front passenger seat is unbuckled)
Empty	Suppress	OFF	OFF	OFF
Child/ child-seat	Suppress	ON	OFF	ON
Adult	Enable to deploy	OFF	OFF	ON
Malfunction	Suppress	ON	Blinking	OFF

Component Parts Location

INFOID:000000005656418



JMHIA0001ZZ

OCCUPANT CLASSIFICATION SYSTEM

< SYSTEM DESCRIPTION >

1. OCS control unit
 2. OCS seat sensor mat
 3. Passenger air bag OFF indicator (cut-off telltale)
- A. OCS harness connector

Component Description

INFOID:000000005656419

Component parts	Outline of function
Seat sensor mat	Detects if the passenger seat is empty or occupied
Occupant Classification System control unit	Transmits the passenger seat status (occupied or empty) to air bag diagnosis sensor unit
Front passenger air bag OFF indicator	Turns the front passenger air bag OFF indicator lamp ON when the front passenger seat is occupied by a child or a child-seat
Air bag diagnosis sensor unit	Performs the deploy judgement of passenger air bag based on the information from Occupant Classification System control unit

A

B

C

D

E

F

G

SRC

I

J

K

L

M

N

O

P

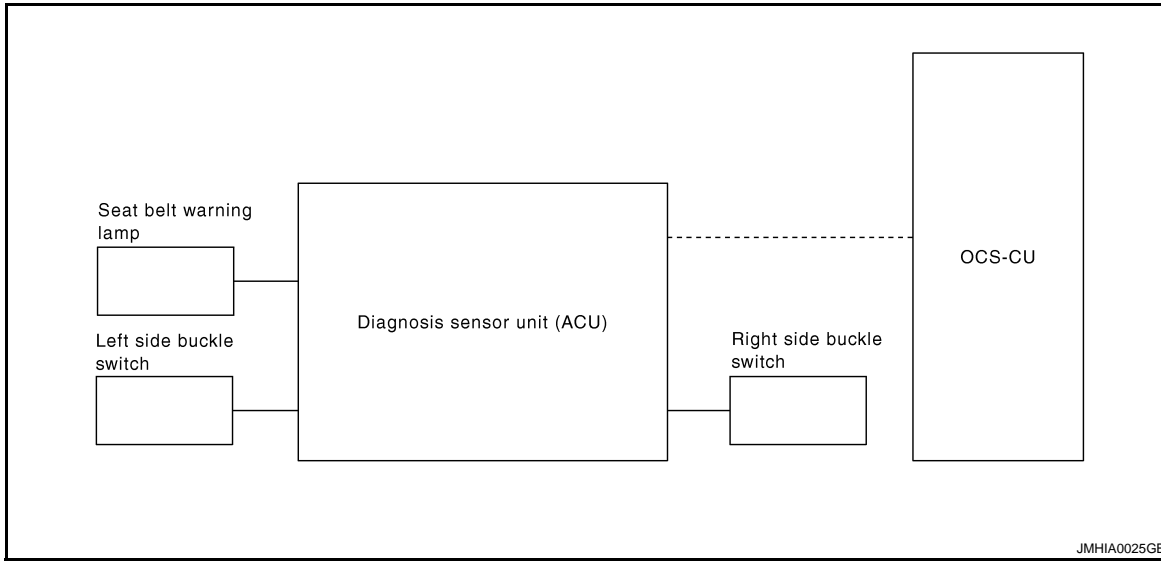
PASSENGER SEAT BELT WARNING SYSTEM

< SYSTEM DESCRIPTION >

PASSENGER SEAT BELT WARNING SYSTEM

System Diagram

INFOID:000000005656420



System Description

INFOID:000000005656421

- Turns ON seat belt warning lamp, when the Occupant Classification System judges adult or child in the front passenger seat and the passenger seat belt buckle switch is OFF.
- Operation of air bag diagnosis sensor unit when air bag diagnosis sensor unit receives information from Occupant Classification System.
- In addition, seat belt warning lamp illuminates, when the driver side seat belt is not fasten. This does not relate to the air bag diagnosis sensor unit.

Status (front passenger seat)	Seat belt warning lamp (When front passenger seat is unbuckled)
Empty	OFF
Child/ child-seat	ON
Adult	ON
Malfunction	OFF

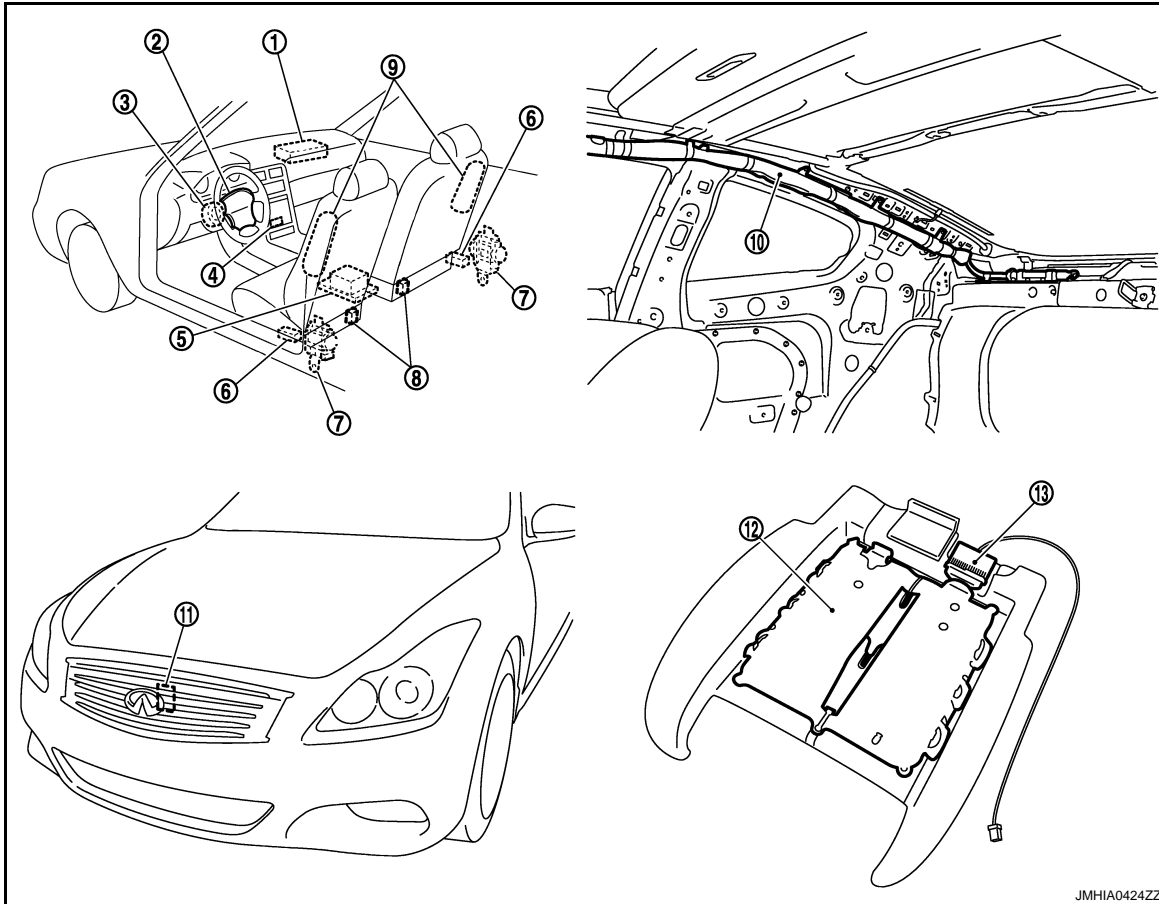
PASSENGER SEAT BELT WARNING SYSTEM

< SYSTEM DESCRIPTION >

Component Parts Location

INFOID:000000005656422

SRS AIR BAG



- | | | |
|---|------------------------------------|--------------------------------------|
| 1. Front passenger air bag module | 2. Driver air bag module | 3. Spiral cable |
| 4. Passenger air bag off indicator (Cut-off telltale) | 5. Diagnosis sensor unit (ACU) | 6. Satellite sensor (LH/RH) |
| 7. Front seat belt pre-tensioner (LH/RH) | 8. Seat belt buckle switch (LH/RH) | 9. Front side air bag module (LH/RH) |
| 10. Curtain air bag module | 11. Crash zone sensor | 12. OCS seat sensor mat |
| 13. OCS control unit | | |

Component Description

INFOID:000000005656423

Component parts	Outline of function
Seat belt buckle switch (Driver side)	Detects if the seat belt buckle switch (driver side) is fastened or unfastened
Seat belt buckle switch (Passenger side)	Detects if the seat belt buckle switch (passenger side) is fastened or unfastened
Seat belt warning lamp	Turns the seat belt warning lamp ON when the seat belt is unfastened
Occupant Classification System control unit	Judges the passenger seat condition based on the information from Occupant Classification System control unit
Seat sensor mat	Detects if the passenger seat is empty or occupied
Air bag diagnosis sensor unit	Turns ON seat belt warning lamp based on the information from Occupant Classification System control unit
Front passenger air bag OFF indicator	Turns the front passenger air bag OFF indicator lamp ON when the front passenger seat is occupied by a child or a child seat

A
B
C
D
E
F
G
H
I
J
K
L
M
N
O
P

SRC

DIAGNOSIS SYSTEM (AIRBAG)

< SYSTEM DESCRIPTION >

DIAGNOSIS SYSTEM (AIRBAG)

Diagnosis Description

INFOID:000000005656424

CAUTION:

- **Never use electrical test equipment on any circuit related to the SRS unless instructed in this Service Manual. SRS wiring harnesses can be identified by yellow and/or orange harnesses or harness connectors.**
- **Never repair, splice or modify the SRS wiring harness. If the harness is damaged, replace it with a new one.**
- **Keep ground portion clean.**

DIAGNOSIS FUNCTION

- The SRS self-diagnosis results can be read by using air bag warning lamp and/or CONSULT-III.
- The user mode is exclusively prepared for the customer (driver). This mode warns the driver of a system malfunction through the operation of the air bag warning lamp.
- The diagnosis mode allows the technician to locate and inspect the malfunctioning part.
- The mode applications for the air bag warning lamp and CONSULT-III are as per the following.

	User mode	Diagnosis mode	Display type
Air bag warning lamp	X	X	ON-OFF operation
CONSULT-III	—	X	Monitoring

x: Application, —: Not application

HOW TO PERFORM TROUBLE DIAGNOSIS FOR QUICK AND ACCURATE REPAIR

A good understanding of the malfunction conditions can make troubleshooting faster and more accurate. In general, each customer feels differently about a malfunction. It is important to fully understand the symptoms or conditions for a customer complaint.

Information from Customer.

- WHAT..... Vehicle model.
- WHEN..... Date, Frequencies.
- WHERE..... Road conditions.
- HOW..... Operating conditions, Symptoms.

Preliminary Check.

Check that the following parts are in good order.

- Battery (Refer to [PG-3, "How to Handle Battery"](#)).
- Fuse (Refer to [PG-96, "Fuse"](#)).
- System component-to-harness connections.

Air Bag Warning Lamp Diagnosis

INFOID:000000005656425

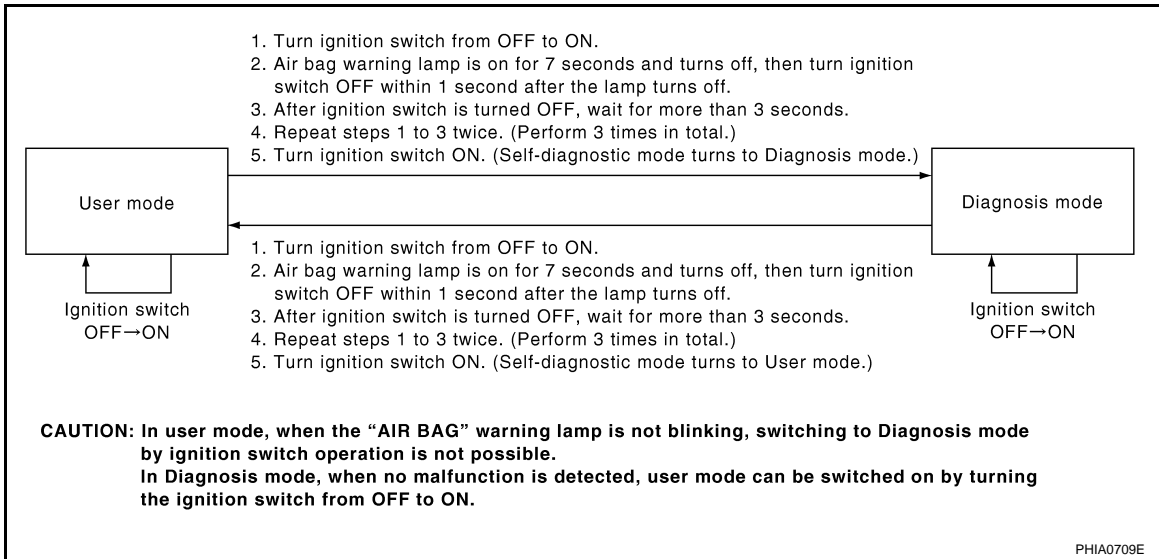
SELF-DIAGNOSIS FUNCTION

- The reading of these results is accomplished by "User mode" and "Diagnosis mode".
- After a malfunction is repaired, turn ignition switch ON. Diagnosis mode returns to the user mode. At that time, the self-diagnosis result is cleared.

DIAGNOSIS SYSTEM (AIRBAG)

< SYSTEM DESCRIPTION >

HOW TO CHANGE SELF-DIAGNOSIS MODE WITHOUT CONSULT-III



DIAGNOSTIC PROCEDURE (USER MODE)

Checking air bag operation according to air bag warning lamp-User mode

1. Turn the ignition switch from OFF to ON, and check that the air bag warning lamp blinks.
2. Compare the air bag warning lamp blinking pattern with the examples.



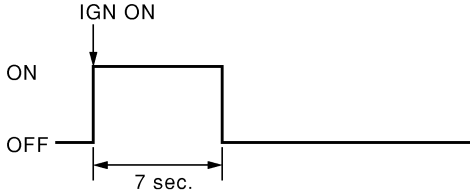
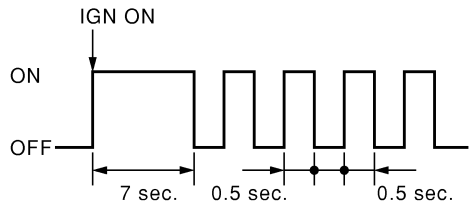
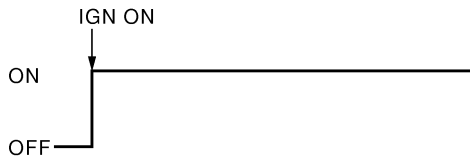

A
B
C
D
E
F
G
I
J
K
L
M
N
O
P

SRC

DIAGNOSIS SYSTEM (AIRBAG)

< SYSTEM DESCRIPTION >

Air bag warning lamp examples (User mode)

Air bag warning lamp operation -User mode	SRS condition	Reference item
 <p style="text-align: right;">SHIA0011E</p>	<ul style="list-style-type: none"> No malfunction is detected No further action is necessary 	<p style="text-align: center;">—</p>
 <p style="text-align: right;">SHIA0012E</p>	<ul style="list-style-type: none"> The system is malfunctioning and needs to be repaired as indicated 	<p>Go to SRC-14, "Diagnosis Description"</p>
 <p style="text-align: right;">SHIA0013E</p>	<ul style="list-style-type: none"> Air bag is deployed Seat belt pre-tensioner is deployed Air bag diagnosis sensor unit is malfunctioning Air bag power supply circuit is malfunctioning Air bag warning lamp circuit is malfunctioning 	<p>Go to SRC-126, "Diagnosis Procedure" or SRC-128, "Diagnosis Procedure"</p> <p>Go to SRC-140, "Diagnosis Procedure"</p>
 <p style="text-align: right;">SHIA0014E</p>	<ul style="list-style-type: none"> Air bag diagnosis sensor unit is malfunctioning Air bag warning lamp circuit is malfunctioning 	<p>Go to SRC-141, "Diagnosis Procedure"</p>

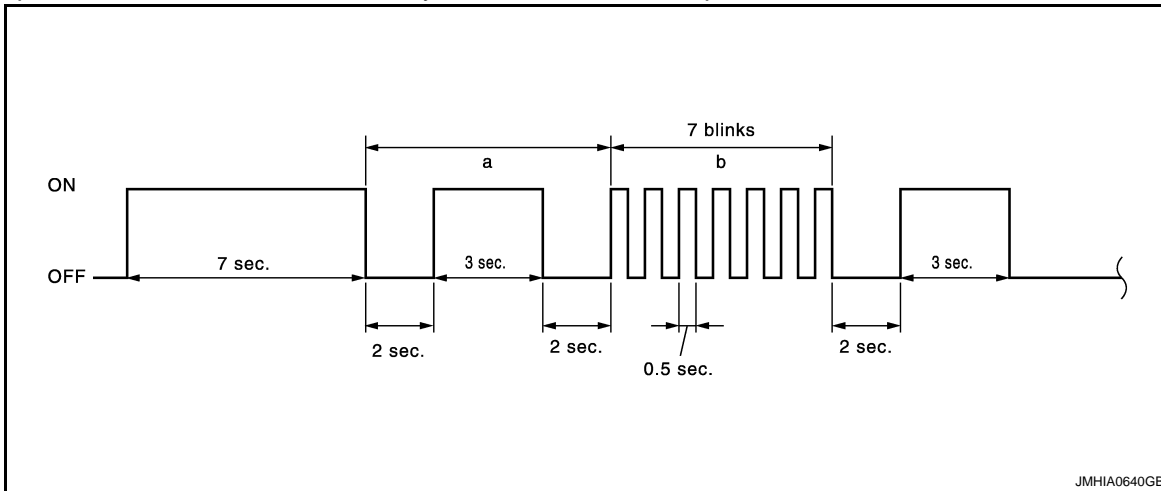
DIAGNOSTIC PROCEDURE (DIAGNOSIS MODE)

- Turn the ignition switch ON, and check that the air bag warning lamp blinks.
- There are 2 blinking patterns for the air bag warning lamp. One is a 3-second blink followed by a 0.5-second blink repeated. The other is two 1.5-second blinks followed by a 0.5-second blink repeated.

DIAGNOSIS SYSTEM (AIRBAG)

< SYSTEM DESCRIPTION >

An Example of a 3-second Blink Followed by a 0.5-second Blink Repeated



a through b are repeated.

b: Seven 0.5-second blinks indicate that the air bag diagnosis sensor unit circuit is malfunctioning.

Number of 0.5-second blinks after a 3-second blink indicates malfunctioning items

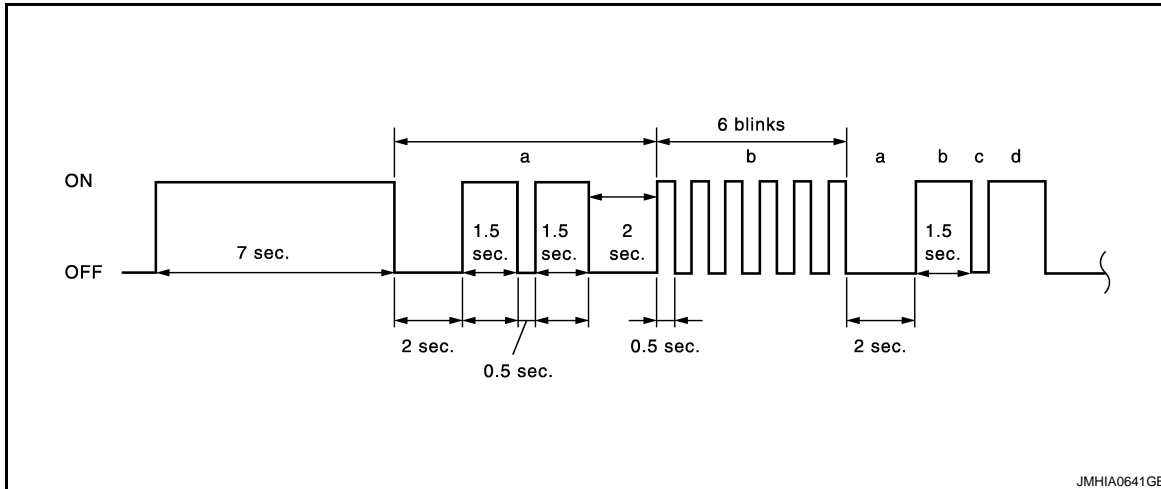
Number of 0.5-second blinks	Malfunctioning items	Blinking pattern
0	Self-diagnosis result is not deleted	—
1	Front RH seat belt pre-tensioner	Refer to the following items <ul style="list-style-type: none"> • SRC-62, "DTC Logic" • SRC-64, "DTC Logic" • SRC-66, "DTC Logic" • SRC-68, "DTC Logic"
2	Driver air bag module	Refer to the following items <ul style="list-style-type: none"> • SRC-42, "DTC Logic" • SRC-44, "DTC Logic" • SRC-46, "DTC Logic" • SRC-48, "DTC Logic"
3	Front LH seat belt pre-tensioner	Refer to the following items <ul style="list-style-type: none"> • SRC-70, "DTC Logic" • SRC-72, "DTC Logic" • SRC-74, "DTC Logic" • SRC-76, "DTC Logic"
5	Occupant Classification System control unit	Refer to the following items <ul style="list-style-type: none"> • SRC-26, "DTC Logic" • SRC-28, "DTC Logic" • SRC-30, "DTC Logic"
6	Crash zone sensor	Refer to the following items <ul style="list-style-type: none"> • SRC-36, "DTC Logic" • SRC-38, "DTC Logic"
7	Air bag diagnosis sensor unit	Refer to the following items <ul style="list-style-type: none"> • SRC-20, "DTC Logic" • SRC-22, "DTC Logic" • SRC-24, "DTC Logic" • SRC-34, "DTC Logic" • SRC-40, "DTC Logic" • SRC-50, "DTC Logic" • SRC-60, "DTC Logic" • SRC-78, "DTC Logic" • SRC-88, "DTC Logic" • SRC-106, "DTC Logic" • SRC-124, "DTC Logic"

DIAGNOSIS SYSTEM (AIRBAG)

< SYSTEM DESCRIPTION >

Number of 0.5-second blinks	Malfunctioning items	Blinking pattern
8	Front passenger air bag module	Refer to the following items <ul style="list-style-type: none"> • SRC-52, "DTC Logic" • SRC-54, "DTC Logic" • SRC-56, "DTC Logic" • SRC-58, "DTC Logic"
11	Front passenger air bag OFF indicator	Refer to SRC-32, "DTC Logic" .

An Example of Two 1.5-second Blinks Followed by a 0.5-second Blink Repeated



a through b are repeated.

b: Six 0.5-second blinks indicate that the LH side curtain air bag module circuit is malfunctioning.

Number of 0.5-second blinks after Two 1.5-second blinks indicates malfunctioning items

Number of 0.5-second blinks	Malfunctioning items	Blinking pattern
1	Front RH side air bag module	Refer to the following items <ul style="list-style-type: none"> • SRC-90, "DTC Logic" • SRC-92, "DTC Logic" • SRC-94, "DTC Logic" • SRC-96, "DTC Logic"
2	Front LH side air bag module	Refer to the following items <ul style="list-style-type: none"> • SRC-98, "DTC Logic" • SRC-100, "DTC Logic" • SRC-102, "DTC Logic" • SRC-104, "DTC Logic"
3	RH satellite sensor	Refer to the following items <ul style="list-style-type: none"> • SRC-80, "DTC Logic" • SRC-82, "DTC Logic"
4	LH satellite sensor	Refer to the following items <ul style="list-style-type: none"> • SRC-84, "DTC Logic" • SRC-86, "DTC Logic"
5	RH side curtain air bag module	Refer to the following items <ul style="list-style-type: none"> • SRC-108, "DTC Logic" • SRC-110, "DTC Logic" • SRC-112, "DTC Logic" • SRC-114, "DTC Logic"
6	LH side curtain air bag module	Refer to the following items <ul style="list-style-type: none"> • SRC-116, "DTC Logic" • SRC-118, "DTC Logic" • SRC-120, "DTC Logic" • SRC-122, "DTC Logic"

HOW TO ERASE SELF-DIAGNOSTIC RESULTS

After a malfunction is repaired, turn the ignition switch OFF for at least one second, then turn ignition switch ON. Diagnosis mode returns to the user mode. At that time the self-diagnosis result is cleared.

DIAGNOSIS SYSTEM (AIRBAG)

< SYSTEM DESCRIPTION >

CONSULT-III Function

INFOID:000000005656426

HOW TO CHANGE SELF-DIAGNOSIS MODE WITH CONSULT-III

From User Mode to Diagnosis Mode

After selecting "AIR BAG" on the "SELECT SYSTEM" screen, User mode automatically changes to Diagnosis mode.

From Diagnosis Mode to User Mode

To return to User mode from Diagnosis mode, touch the "BACK" key of CONSULT-III until "SELECT SYSTEM" appears, then diagnosis mode automatically changes to User mode.

DIAGNOSIS MODE FOR CONSULT-III

- "SELF-DIAG [CURRENT]"
The current self-diagnosis results (also indicated with the number of air bag warning lamp blinks in diagnosis mode) are displayed on CONSULT-III screen in real time. This refers to a malfunctioning part requiring repairs.
- "SELF-DIAG [PAST]"
Diagnosis results previously stored in the memory are displayed on CONSULT-III screen. The stored results are not erased until memory erasing is executed.
- "TROUBLE DIAG RECORD"
With TROUBLE DIAG RECORD, diagnosis results previously erased by a reset operation can be displayed on CONSULT-III screen.
- Air bag diagnosis sensor unit ECU discriminated number (identification number) is displayed. Air bag diagnosis sensor unit has individual ECU discriminated number (identification number) based on model and equipment.

HOW TO ERASE SELF-DIAGNOSTIC RESULTS

- "SELF-DIAG [CURRENT]"
A current self-diagnosis result is displayed on CONSULT-III screen in real time.
After the malfunction is repaired completely, no malfunction is detected on "SELF-DIAG [CURRENT]".
- "SELF-DIAG [PAST]"
Return to "SELF-DIAG [CURRENT]" CONSULT-III screen by touching the "BACK" key of CONSULT-III and select "SELF-DIAG [CURRENT]" in SELECT DIAG MODE. Touch "ERASE" in "SELF-DIAG [CURRENT]" mode.
NOTE:
If the memory of the malfunction in "SELF-DIAG [PAST]" is not erased, the user mode shows the system malfunction by the operation of the warning lamp even if the malfunction is repaired completely.
- "TROUBLE DIAG RECORD"
The memory of "TROUBLE DIAG RECORD" cannot be erased.

A
B
C
D
E
F
G
I
J
K
L
M
N
O
P

SRC

B1001, B1002, B1003, B1004, B1005 DIAGNOSIS SENSOR UNIT

< DTC/CIRCUIT DIAGNOSIS >

DTC/CIRCUIT DIAGNOSIS

B1001, B1002, B1003, B1004, B1005 DIAGNOSIS SENSOR UNIT

Description

INFOID:000000005656427

Checks the entire SRS and displays the malfunction either by illuminating or blinking the air bag warning lamp on the combination meter. Malfunctioning part can be detected by on board self-diagnosis system and CONSULT-III.

OPERATION

It detects a shock that exceeds a specified level and monitors whether the driver and passenger air bags, front side air bag, side curtain air bag, and pre-tensioner seat belts operate normally.

STRUCTURE

It contains the "G" sensors for both frontal and side collisions and spare battery function in case of main battery damage in collision.

INSTALLATION

Air bag diagnosis sensor unit is installed under the center console with fixed bolts.

DTC Logic

INFOID:000000005656428

DTC No.	Trouble diagnosis name	DTC detecting condition	Possible cause
B1001 B1002 B1003 B1004 B1005	CONTROL UNIT	Air bag diagnosis sensor unit is malfunctioning or out of the specification	<ul style="list-style-type: none">Malfunction in air bag diagnosis sensor unitConfiguration in air bag diagnosis sensor unit does not match the vehicles specification

DTC CONFIRMATION PROCEDURE

1. CHECK SELF-DIAG RESULT

With CONSULT-III

- Turn ignition switch ON.
- Perform "AIR BAG" Self Diagnostic Result.

Without CONSULT-III

- Turn ignition switch ON.
- Check the air bag warning lamp status. Refer to [SRC-14, "Air Bag Warning Lamp Diagnosis"](#).

NOTE:

SRS does not enter diagnosis mode if no malfunction is detected in user mode.

Is malfunctioning part detected?

- YES >> Refer to [SRC-20, "Diagnosis Procedure"](#).
NO >> INSPECTION END

Diagnosis Procedure

INFOID:000000005656429

WARNING:

- Before servicing, turn ignition switch OFF, disconnect battery negative terminal and wait at least 3 minutes. (To discharge backup capacitor.)
- Never use unspecified tester or other measuring device.

1. CHECK HARNESS CONNECTOR

Check the harness connector.

Is the inspection result normal?

- YES >> GO TO 2.
NO >> Replace harness connectors.

2. CHECK WIRING HARNESS

Check the wiring harness externals.

B1001, B1002, B1003, B1004, B1005 DIAGNOSIS SENSOR UNIT

< DTC/CIRCUIT DIAGNOSIS >

Is the inspection result normal?

YES >> GO TO 3.

NO >> Replace wiring harness.

3. REPLACE AIR BAG DIAGNOSIS SENSOR UNIT

1. Replace air bag diagnosis sensor unit. Refer to [SR-23, "Exploded View"](#).

2. Perform DTC confirmation procedure. Refer to [SRC-20, "DTC Logic"](#).

Is DTC detected?

YES >> GO TO 1.

NO >> INSPECTION END

A

B

C

D

E

F

G

SRC

I

J

K

L

M

N

O

P

B1006, B1007, B1008, B1009, B1010 DIAGNOSIS SENSOR UNIT

< DTC/CIRCUIT DIAGNOSIS >

B1006, B1007, B1008, B1009, B1010 DIAGNOSIS SENSOR UNIT

Description

INFOID:000000005656430

Checks the entire SRS and displays the malfunction either by illuminating or blinking the air bag warning lamp on the combination meter. Malfunctioning part can be detected by on board self-diagnosis system and CONSULT-III.

OPERATION

It detects a shock that exceeds a specified level and monitors whether the driver and passenger air bags, front side air bag, side curtain air bag and pre-tensioner seat belts operate normally.

STRUCTURE

It contains the "G" sensors for both frontal and side collisions and spare battery function in case of main battery damage in collision.

INSTALLATION

Air bag diagnosis sensor unit is installed under the center console with fixed bolts.

DTC Logic

INFOID:000000005656431

DTC No.	Trouble diagnosis name	DTC detecting condition	Possible cause
B1006 B1007 B1008 B1009 B1010	CONTROL UNIT	Air bag diagnosis sensor unit is malfunctioning or out of the specification	<ul style="list-style-type: none">Malfunction in air bag diagnosis sensor unitConfiguration in air bag diagnosis sensor unit does not match the vehicles specification

DTC CONFIRMATION PROCEDURE

1. CHECK SELF-DIAG RESULT

With CONSULT-III

- Turn ignition switch ON.
- Perform "AIR BAG" Self Diagnostic Result.

Without CONSULT-III

- Turn ignition switch ON.
- Check the air bag warning lamp status. Refer to [SRC-14, "Air Bag Warning Lamp Diagnosis"](#).

NOTE:

SRS does not enter diagnosis mode if no malfunction is detected in user mode.

Is malfunctioning part detected?

- YES >> Refer to [SRC-22, "Diagnosis Procedure"](#).
NO >> INSPECTION END

Diagnosis Procedure

INFOID:000000005656432

WARNING:

- Before servicing, turn ignition switch OFF, disconnect battery negative terminal and wait at least 3 minutes. (To discharge backup capacitor.)
- Never use unspecified tester or other measuring device.

1. CHECK HARNESS CONNECTOR

Check the harness connector.

Is the inspection result normal?

- YES >> GO TO 2.
NO >> Replace harness connectors.

2. CHECK WIRING HARNESS

Check the wiring harness externals.

Is the inspection result normal?

- YES >> GO TO 3.

B1006, B1007, B1008, B1009, B1010 DIAGNOSIS SENSOR UNIT

< DTC/CIRCUIT DIAGNOSIS >

NO >> Replace wiring harness.

3. REPLACE AIR BAG DIAGNOSIS SENSOR UNIT

1. Replace air bag diagnosis sensor unit. Refer to [SR-23, "Exploded View"](#)
2. Perform DTC confirmation procedure. Refer to [SRC-22, "DTC Logic"](#)

Is DTC detected?

YES >> GO TO 1.

NO >> INSPECTION END

A

B

C

D

E

F

G

SRC

I

J

K

L

M

N

O

P

B1011, B1012, B1013, B1014, B1015 DIAGNOSIS SENSOR UNIT

< DTC/CIRCUIT DIAGNOSIS >

B1011, B1012, B1013, B1014, B1015 DIAGNOSIS SENSOR UNIT

Description

INFOID:000000005656433

Checks the entire SRS and displays the malfunction either by illuminating or blinking the air bag warning lamp on the combination meter. Malfunctioning part can be detected by on board self-diagnosis system and CONSULT-III.

OPERATION

It detects a shock that exceeds a specified level and monitors whether the driver and passenger air bags, front side air bag, side curtain air bag and pre-tensioner seat belts operate normally.

STRUCTURE

It contains the "G" sensors for both frontal and side collisions and spare battery function in case of main battery damage in collision.

INSTALLATION

Air bag diagnosis sensor unit is installed under the center console with fixed bolts.

DTC Logic

INFOID:000000005656434

DTC No.	Trouble diagnosis name	DTC detecting condition	Possible cause
B1011 B1012 B1013 B1014 B1015	CONTROL UNIT	Air bag diagnosis sensor unit is malfunctioning or out of the specification	<ul style="list-style-type: none">Malfunction in air bag diagnosis sensor unitConfiguration in air bag diagnosis sensor unit does not match the vehicles specification

DTC CONFIRMATION PROCEDURE

1. CHECK SELF-DIAG RESULT

With CONSULT-III

- Turn ignition switch ON.
- Perform "AIR BAG" Self Diagnostic Result.

Without CONSULT-III

- Turn ignition switch ON.
- Check the air bag warning lamp status. Refer to [SRC-14, "Air Bag Warning Lamp Diagnosis"](#).

NOTE:

SRS does not enter diagnosis mode if no malfunction is detected in user mode.

Is malfunctioning part detected?

- YES >> Refer to [SRC-24, "Diagnosis Procedure"](#).
NO >> INSPECTION END

Diagnosis Procedure

INFOID:000000005656435

WARNING:

- Before servicing, turn ignition switch OFF, disconnect battery negative terminal and wait at least 3 minutes. (To discharge backup capacitor.)
- Never use unspecified tester or other measuring device.

1. CHECK HARNESS CONNECTOR

Check the harness connector.

Is the inspection result normal?

- YES >> GO TO 2.
NO >> Replace harness connectors.

2. CHECK WIRING HARNESS

Check the wiring harness externals.

Is the inspection result normal?

- YES >> GO TO 3.

B1011, B1012, B1013, B1014, B1015 DIAGNOSIS SENSOR UNIT

< DTC/CIRCUIT DIAGNOSIS >

NO >> Replace wiring harness.

3. REPLACE AIR BAG DIAGNOSIS SENSOR UNIT

1. Replace air bag diagnosis sensor unit. Refer to [SR-23, "Exploded View"](#)
2. Perform DTC confirmation procedure. Refer to [SRC-24, "DTC Logic"](#)

Is DTC detected?

YES >> GO TO 1.

NO >> INSPECTION END

A

B

C

D

E

F

G

SRC

I

J

K

L

M

N

O

P

B1017, B1020, B1021 OCCUPANT SENS C/U

< DTC/CIRCUIT DIAGNOSIS >

B1017, B1020, B1021 OCCUPANT SENS C/U

Description

INFOID:000000005656436

Suppresses the deployment of front passenger air bag when the condition of passenger seat is empty or occupied with a child and child-seat. Also illuminates front passenger air bag OFF indicator lamp when the condition of passenger seat is occupied with a child-seat and child. In case of malfunction the blinking of the air bag warning lamp reports the malfunction to driver, and by the on board self-diagnosis system or CONSULT-III can detect the cause.

OPERATION

This unit classifies occupant in passenger seat and detects electrical malfunctions in Occupant Classification System, and transmits malfunction information to air bag control unit.

STRUCTURE

It is integrated into the seat sensor mat and detects the occupants with Occupant Classification System control unit that classifies the occupants.

INSTALLATION

Occupant Classification System control unit is installed in the passenger seat cushion.

DTC Logic

INFOID:000000005656437

DTC DETECTION LOGIC

DTC No.	Trouble diagnosis name	DTC detecting condition	Possible cause
B1017 B1020 B1021	OCCUPANT SENS C/U [UNIT FAIL]	Trouble occurs in Occupant Classification System control unit	<ul style="list-style-type: none">• Disconnection of wiring harness• Malfunction in Occupant Classification System control unit• Malfunction in air bag diagnosis sensor unit

DTC CONFIRMATION PROCEDURE

1. CHECK SELF-DIAG RESULT

With CONSULT-III

1. Turn ignition switch ON.
2. Perform "AIR BAG" Self Diagnostic Result CONSULT-III.

Without CONSULT-III

1. Turn ignition switch ON.
2. Check the air bag warning lamp status. Refer to [SRC-14. "Air Bag Warning Lamp Diagnosis"](#).

NOTE:

SRS does not enter diagnosis mode if no malfunction is detected in user mode.

Is malfunctioning part detected?

- YES >> Refer to [SRC-26. "Diagnosis Procedure"](#).
NO >> INSPECTION END

Diagnosis Procedure

INFOID:000000005656438

WARNING:

- Before servicing, turn ignition switch OFF, disconnect battery negative terminal and wait at least 3 minutes. (To discharge backup capacitor.)
- Never use unspecified tester or other measuring device.

DIAGNOSTIC PROCEDURE

1. CHECK HARNESS CONNECTOR

Check the connection of harness connector.

Is the inspection result normal?

- YES >> GO TO 2.
NO >> Replace harness connectors.

B1017, B1020, B1021 OCCUPANT SENS C/U

< DTC/CIRCUIT DIAGNOSIS >

2.CHECK WIRING HARNESS

Check the wiring harness externals.

Is the inspection result normal?

YES >> GO TO 3.

NO >> Replace wiring harness.

3.REPLACE AIR BAG DIAGNOSIS SENSOR UNIT

1. Replace air bag diagnosis sensor unit. Refer to [SR-23, "Exploded View"](#).

2. Perform DTC confirmation procedure. Refer to [SRC-26, "DTC Logic"](#).

Is DTC detected?

YES >> GO TO 4.

NO >> INSPECTION END

4.REPLACE OCCUPANT CLASSIFICATION SYSTEM CONTROL UNIT

1. Replace seat cushion frame. Refer to [SE-188, "Exploded View"](#).

2. Perform DTC confirmation procedure. Refer to [SRC-26, "DTC Logic"](#).

Is DTC detected?

YES >> GO TO 1.

NO >> INSPECTION END

A
B
C
D
E
F
G
I
J
K
L
M
N
O
P

SRC

B1018 OCCUPANT SENS

< DTC/CIRCUIT DIAGNOSIS >

B1018 OCCUPANT SENS

Description

INFOID:000000005656439

Suppresses the deployment of front passenger air bag when the condition of passenger seat is empty or occupied with a child and child-seat. Also illuminates front passenger air bag OFF indicator lamp when the condition of passenger seat is occupied with a child-seat and child. In case of malfunction the blinking of the air bag warning lamp reports the malfunction to driver, and by the on board self-diagnosis system or CONSULT-III can detect the cause.

OPERATION

The unit classifies occupant in passenger seat and transmits it to Occupant Classification System control unit.

STRUCTURE

Multiple sensors are installed in the sensor mat to prevent incorrect sensing induced by the sitting position.

INSTALLATION

Occupant Classification System sensor is installed in the passenger seat cushion.

DTC Logic

INFOID:000000005656440

DTC DETECTION LOGIC

DTC No.	Trouble diagnosis name	DTC detecting condition	Possible cause
B1018	OCCUPANT SENS [UNIT FAIL]	Malfunction occurs in Occupant Classification System sensor	<ul style="list-style-type: none">• Disconnection of wiring harness• Malfunction in Occupant Classification System sensor• Malfunction in Occupant Classification System control unit• Malfunction in air bag diagnosis sensor unit

DTC CONFIRMATION PROCEDURE

1. CHECK SELF-DIAG RESULT

With CONSULT-III

1. Turn ignition switch ON.
2. Perform "AIR BAG" Self Diagnostic Result CONSULT-III.

Without CONSULT-III

1. Turn ignition switch ON.
2. Check the air bag warning lamp status. Refer to [SRC-14, "Air Bag Warning Lamp Diagnosis"](#).

NOTE:

SRS does not enter diagnosis mode if no malfunction is detected in user mode.

Is malfunctioning part detected?

- YES >> Refer to [SRC-28, "Diagnosis Procedure"](#).
NO >> INSPECTION END

Diagnosis Procedure

INFOID:000000005656441

WARNING:

- Before servicing, turn ignition switch OFF, disconnect battery negative terminal and wait at least 3 minutes. (To discharge backup capacitor.)
- Never use unspecified tester or other measuring device.

DIAGNOSTIC PROCEDURE

1. CHECK HARNESS CONNECTOR

Check the connection of harness connector.

Is the inspection result normal?

- YES >> GO TO 2.
NO >> Replace harness connectors.

B1018 OCCUPANT SENS

< DTC/CIRCUIT DIAGNOSIS >

2.CHECK WIRING HARNESS

Check the wiring harness externals.

Is the inspection result normal?

YES >> GO TO 3.

NO >> Replace wiring harness.

3.REPLACE AIR BAG DIAGNOSIS SENSOR UNIT

1. Replace air bag diagnosis sensor unit. Refer to [SR-23, "Exploded View"](#).

2. Perform DTC confirmation procedure. Refer to [SRC-28, "DTC Logic"](#).

Is DTC detected?

YES >> GO TO 4.

NO >> INSPECTION END

4.REPLACE OCCUPANT CLASSIFICATION SYSTEM CONTROL UNIT AND SENSOR

1. Replace seat cushion frame. Refer to [SR-23, "Exploded View"](#).

2. Perform DTC confirmation procedure. Refer to [SRC-28, "DTC Logic"](#).

Is DTC detected?

YES >> GO TO 1.

NO >> INSPECTION END

A

B

C

D

E

F

G

SRC

I

J

K

L

M

N

O

P

B1022 OCCUPANT SENS C/U

< DTC/CIRCUIT DIAGNOSIS >

B1022 OCCUPANT SENS C/U

Description

INFOID:000000005656442

Suppresses the deployment of front passenger air bag when the condition of passenger seat is empty or occupied with a child and child-seat. Also illuminates front passenger air bag OFF indicator lamp when the condition of passenger seat is occupied with a child-seat and child. In case of malfunction the blinking of the air bag warning lamp reports the malfunction to driver, and by the on board self-diagnosis system or CONSULT-III can detect the cause.

OPERATION

This unit classifies occupant in passenger seat and detects electrical malfunction in Occupant Classification System and transmits malfunction information to air bag control unit.

STRUCTURE

It is integrated into the seat sensor mat and detects the occupants and Occupant Classification System control unit that classifies the occupants.

INSTALLATION

Occupant Classification System control unit is installed in the passenger seat cushion.

DTC Logic

INFOID:000000005656443

DTC DETECTION LOGIC

DTC No.	Trouble diagnosis name	DTC detecting condition	Possible cause
B1022	OCCUPANT SENS C/U [COMM FAIL]	Malfunction occurs in Occupant Classification System control unit, circuit of Occupant Classification System control unit-Air bag diagnosis sensor unit or Air bag diagnosis sensor unit	<ul style="list-style-type: none">• Disconnection of wiring harness• Malfunction in Occupant Classification System control unit• Malfunction in air bag diagnosis sensor unit

DTC CONFIRMATION PROCEDURE

1. CHECK SELF-DIAG RESULT

With CONSULT-III

1. Turn ignition switch ON.
2. Perform "AIR BAG" Self Diagnostic Result CONSULT-III.

Without CONSULT-III

1. Turn ignition switch ON.
2. Check the air bag warning lamp status. Refer to [SRC-14. "Air Bag Warning Lamp Diagnosis"](#).

NOTE:

SRS does not enter diagnosis mode if no malfunction is detected in user mode.

Is malfunctioning part detected?

- YES >> Refer to [SRC-30. "Diagnosis Procedure"](#).
NO >> INSPECTION END

Diagnosis Procedure

INFOID:000000005656444

WARNING:

- Before servicing, turn ignition switch OFF, disconnect battery negative terminal and wait at least 3 minutes. (To discharge backup capacitor.)
- Never use unspecified tester or other measuring device.

DIAGNOSTIC PROCEDURE

1. CHECK HARNESS CONNECTOR

Check the connection of harness connector.

Is the inspection result normal?

- YES >> GO TO 2.
NO >> Replace harness connectors.

B1022 OCCUPANT SENS C/U

< DTC/CIRCUIT DIAGNOSIS >

2.CHECK WIRING HARNESS

Check the wiring harness externals.

Is the inspection result normal?

YES >> GO TO 3.

NO >> Replace wiring harness.

3.REPLACE AIR BAG DIAGNOSIS SENSOR UNIT

1. Replace air bag diagnosis sensor unit. Refer to [SR-23, "Exploded View"](#).

2. Perform DTC confirmation procedure. Refer to [SRC-30, "DTC Logic"](#).

Is DTC detected?

YES >> GO TO 4.

NO >> INSPECTION END

4.CHECK OCCUPANT CLASSIFICATION SYSTEM CONTROL UNIT

1. Replace seat cushion frame. Refer to [SE-188, "Exploded View"](#).

2. Perform DTC confirmation procedure. Refer to [SRC-30, "DTC Logic"](#).

Is DTC detected?

YES >> GO TO 1.

NO >> INSPECTION END

A
B
C
D
E
F
G
I
J
K
L
M
N
O
P

SRC

B1023 PASS A/B INDCTR CKT

< DTC/CIRCUIT DIAGNOSIS >

B1023 PASS A/B INDCTR CKT

Description

INFOID:000000005656445

Suppresses the deployment of front passenger air bag when the condition of passenger seat is empty or occupied with a child and child-seat. Also illuminates front passenger air bag OFF indicator lamp when the condition of passenger seat is occupied with a child-seat and child. In case of malfunction the blinking of the air bag warning lamp reports the malfunction to driver, and by the on board self-diagnosis system or CONSULT-III can detect the cause.

OPERATION

Illuminates front passenger air bag OFF indicator when the passenger seat is empty or occupied by a child or a child-seat.

STRUCTURE

Front passenger air bag OFF indicator with LED illumination.

INSTALLATION

Front passenger air bag OFF indicator is installed at the instrument panel center.

DTC Logic

INFOID:000000005656446

DTC DETECTION LOGIC

DTC No.	Trouble diagnosis name	DTC detecting condition	Possible cause
B1023	PASS A/B INDCTR CKT [UNIT FAIL]	Passenger air bag OFF indicator circuit is open or shorted to ground or the circuits are shorted each other	<ul style="list-style-type: none">• Disconnection of wiring harness• Malfunction in front passenger air bag OFF indicator• Malfunction in air bag diagnosis sensor unit

DTC CONFIRMATION PROCEDURE

1. CHECK SELF-DIAG RESULT

With CONSULT-III

1. Turn ignition switch ON.
2. Perform "AIR BAG" Self Diagnostic Result CONSULT-III.

Without CONSULT-III

1. Turn ignition switch ON.
2. Check the air bag warning lamp status. Refer to [SRC-14, "Air Bag Warning Lamp Diagnosis"](#).

NOTE:

SRS does not enter diagnosis mode if no malfunction is detected in user mode.

Is malfunctioning part detected?

YES >> Refer to [SRC-32, "Diagnosis Procedure"](#).

NO >> INSPECTION END

Diagnosis Procedure

INFOID:000000005656447

WARNING:

- Before servicing, turn ignition switch OFF, disconnect battery negative terminal and wait at least 3 minutes. (To discharge backup capacitor.)
- Never use unspecified tester or other measuring device.

DIAGNOSTIC PROCEDURE

1. CHECK HARNESS CONNECTOR

Check the connection of harness connector.

Is the inspection result normal?

YES >> GO TO 2.

NO >> Replace harness connectors.

B1023 PASS A/B INDCTR CKT

< DTC/CIRCUIT DIAGNOSIS >

2.CHECK WIRING HARNESS

Check the wiring harness externals.

Is the inspection result normal?

YES >> GO TO 3.

NO >> Replace wiring harness.

3.CHECK PASSENGER AIR BAG OFF INDICATOR

1. Replace front passenger air bag OFF indicator. Refer to [IP-12. "A/T MODELS : Exploded View"](#) (A/T models) or [IP-22. "M/T MODELS : Exploded View"](#) (M/T models).

2. Perform DTC confirmation procedure. Refer to [SRC-32. "DTC Logic"](#).

Is DTC detected?

YES >> GO TO 4.

NO >> INSPECTION END

4.REPLACE AIR BAG DIAGNOSIS SENSOR UNIT

1. Replace air bag diagnosis sensor unit. Refer to [SR-23. "Exploded View"](#).

2. Perform DTC confirmation procedure. Refer to [SRC-32. "DTC Logic"](#).

Is DTC detected?

YES >> GO TO 1.

NO >> INSPECTION END

A
B
C
D
E
F
G
I
J
K
L
M
N
O
P

SRC

B1026, B1027, B1028, B1029, B1030, B1031 DIAGNOSIS SENSOR UNIT

< DTC/CIRCUIT DIAGNOSIS >

B1026, B1027, B1028, B1029, B1030, B1031 DIAGNOSIS SENSOR UNIT

Description

INFOID:000000005656448

Checks the entire SRS and displays the malfunction either by illuminating or blinking the air bag warning lamp on the combination meter. Malfunctioning part can be detected by on board self-diagnosis system and CONSULT-III.

OPERATION

It detects a shock that exceeds a specified level and monitors whether the driver and passenger air bags, front side air bag, side curtain air bag and pre-tensioner seat belts operate normally.

STRUCTURE

It contains the "G" sensors for both frontal and side collisions and spare battery function in case of main battery damage in collision.

INSTALLATION

Air bag diagnosis sensor unit is installed under the center console with fixed bolts.

DTC Logic

INFOID:000000005656449

DTC No.	Trouble diagnosis name	DTC detecting condition	Possible cause
B1026 B1027 B1028 B1029 B1030 B1031	CONTROL UNIT	Air bag diagnosis sensor unit is malfunctioning or out of the specification	<ul style="list-style-type: none">Malfunction in air bag diagnosis sensor unitConfiguration in air bag diagnosis sensor unit does not match the vehicle specification

DTC CONFIRMATION PROCEDURE

1. CHECK SELF-DIAG RESULT

With CONSULT-III

- Turn ignition switch ON.
- Perform "AIR BAG" Self Diagnostic Result.

Without CONSULT-III

- Turn ignition switch ON.
- Check the air bag warning lamp status. Refer to [SRC-14, "Air Bag Warning Lamp Diagnosis"](#).

NOTE:

SRS does not enter diagnosis mode if no malfunction is detected in user mode.

Is malfunctioning part detected?

YES >> Refer to [SRC-34, "Diagnosis Procedure"](#).

NO >> INSPECTION END

Diagnosis Procedure

INFOID:000000005656450

WARNING:

- Before servicing, turn ignition switch OFF, disconnect battery negative terminal and wait at least 3 minutes. (To discharge backup capacitor.)
- Never use unspecified tester or other measuring device.

1. CHECK HARNESS CONNECTOR

Check the harness connector.

Is the inspection result normal?

YES >> GO TO 2.

NO >> Replace harness connectors.

2. CHECK WIRING HARNESS

Check the wiring harness externals.

Is the inspection result normal?

B1026, B1027, B1028, B1029, B1030, B1031 DIAGNOSIS SENSOR UNIT

< DTC/CIRCUIT DIAGNOSIS >

YES >> GO TO 3.

NO >> Replace wiring harness.

3. REPLACE AIR BAG DIAGNOSIS SENSOR UNIT

1. Replace air bag diagnosis sensor unit. Refer to [SR-23. "Exploded View"](#).

2. Perform DTC confirmation procedure. Refer to [SRC-34. "DTC Logic"](#).

Is DTC detected?

YES >> GO TO 1.

NO >> INSPECTION END

A

B

C

D

E

F

G

SRC

I

J

K

L

M

N

O

P

B1033, B1034 CRASH ZONE SEN

< DTC/CIRCUIT DIAGNOSIS >

B1033, B1034 CRASH ZONE SEN

Description

INFOID:000000005656451

Main "G" sensor generates signal voltage, when it detects deceleration beyond the specified level caused by vehicle frontal collision.

OPERATION

When air bag diagnosis sensor unit defines both signal voltage of the "G" sensor and the safing algorithm to be that of collision which exceeds a specified level, the driving circuit switches on and feeds the electric ignitor of both driver and passenger air bags and pre-tensioner seat belts.

STRUCTURE

Integrated type of the "G" sensor element for frontal collision with output terminals for signal voltage.

INSTALLATION

Crash zone sensor is installed on the radiator core support assembly with fixed nuts.

DTC Logic

INFOID:000000005656452

DTC No.	Trouble diagnosis name	DTC detecting condition	Possible cause
B1033 B1034	CRASH ZONE SEN- SOR [UNIT FAIL]	Crash zone sensor is malfunctioning	<ul style="list-style-type: none">• Disconnection of wiring harness• Malfunction in crash zone sensor• Malfunction in air bag diagnosis sensor unit

DTC CONFIRMATION PROCEDURE

1. CHECK SELF-DIAG RESULT

With CONSULT-III

1. Turn ignition switch ON.
2. Perform "AIR BAG" Self Diagnostic Result.

Without CONSULT-III

1. Turn ignition switch ON.
2. Check the air bag warning lamp status. Refer to [SRC-14. "Air Bag Warning Lamp Diagnosis"](#).

NOTE:

SRS does not enter diagnosis mode if no malfunction is detected in user mode.

Is malfunctioning part detected?

- YES >> Refer to [SRC-36. "Diagnosis Procedure"](#).
NO >> INSPECTION END

Diagnosis Procedure

INFOID:000000005656453

WARNING:

- Before servicing, turn ignition switch OFF, disconnect battery negative terminal and wait at least 3 minutes. (To discharge backup capacitor.)
- Never use unspecified tester or other measuring device.

1. CHECK HARNESS CONNECTOR

Check the harness connector.

Is the inspection result normal?

- YES >> GO TO 2.
NO >> Replace harness connectors.

2. CHECK WIRING HARNESS

Check the wiring harness externals.

Is the inspection result normal?

- YES >> GO TO 3.
NO >> Replace wiring harness.

B1033, B1034 CRASH ZONE SEN

< DTC/CIRCUIT DIAGNOSIS >

3. REPLACE CRASH ZONE SENSOR

1. Replace crash zone sensor. Refer to [SR-21, "Exploded View"](#).
2. Perform DTC confirmation procedure. Refer to [SRC-36, "DTC Logic"](#).

Is DTC detected?

- YES >> GO TO 4.
NO >> INSPECTION END

4. REPLACE AIR BAG DIAGNOSIS SENSOR UNIT

1. Replace air bag diagnosis sensor unit. Refer to [SR-23, "Exploded View"](#).
2. Perform DTC confirmation procedure. Refer to [SRC-36, "DTC Logic"](#).

Is DTC detected?

- YES >> GO TO 1.
NO >> INSPECTION END

A
B
C
D
E
F
G
I
J
K
L
M
N
O
P

SRC

B1035, B1036 CRASH ZONE SEN

< DTC/CIRCUIT DIAGNOSIS >

B1035, B1036 CRASH ZONE SEN

Description

INFOID:000000005656454

Main "G" sensor generates signal voltage, when it detects deceleration beyond the specified level caused by vehicle frontal collision.

OPERATION

When air bag diagnosis sensor unit defines both signal voltage of the "G" sensor and the safing algorithm to be that of collision which exceeds a specified level, the driving circuit switches on and feeds the electric ignitor of both driver and passenger air bags and pre-tensioner seat belts.

STRUCTURE

Integrated type of the "G" sensor element for frontal collision with output terminals for signal voltage.

INSTALLATION

Crash zone sensor is installed on the radiator core support assembly with fixed nuts.

DTC Logic

INFOID:000000005656455

DTC No.	Trouble diagnosis name	DTC detecting condition	Possible cause
B1035 B1036	CRASH ZONE SEN- SOR [COMM FAIL] [UNMATCH]	Crash zone sensor is malfunctioning or out of the specified specification	<ul style="list-style-type: none">• Disconnection of wiring harness• Malfunction in crash zone sensor• Malfunction in air bag diagnosis sensor unit

DTC CONFIRMATION PROCEDURE

1.CHECK SELF-DIAG RESULT

With CONSULT-III

1. Turn ignition switch ON.
2. Perform "AIR BAG" Self Diagnostic Result.

Without CONSULT-III

1. Turn ignition switch ON.
2. Check the air bag warning lamp status. Refer to [SRC-14. "Air Bag Warning Lamp Diagnosis"](#).

NOTE:

SRS does not enter diagnosis mode if no malfunction is detected in user mode.

Is malfunctioning part detected?

- YES >> Refer to [SRC-38. "Diagnosis Procedure"](#).
NO >> INSPECTION END

Diagnosis Procedure

INFOID:000000005656456

WARNING:

- Before servicing, turn ignition switch OFF, disconnect battery negative terminal and wait at least 3 minutes. (To discharge backup capacitor.)
- Never use unspecified tester or other measuring device.

1.CHECK HARNESS CONNECTOR

Check the harness connector.

Is the inspection result normal?

- YES >> GO TO 2.
NO >> Replace harness connectors.

2.CHECK WIRING HARNESS

Check the wiring harness externals.

Is the inspection result normal?

- YES >> GO TO 3.
NO >> Replace wiring harness.

B1035, B1036 CRASH ZONE SEN

< DTC/CIRCUIT DIAGNOSIS >

3. REPLACE CRASH ZONE SENSOR

1. Replace crash zone sensor. Refer to [SR-21, "Exploded View"](#).
2. Perform DTC confirmation procedure. Refer to [SRC-38, "DTC Logic"](#).

Is DTC detected?

- YES >> GO TO 4.
NO >> INSPECTION END

4. REPLACE AIR BAG DIAGNOSIS SENSOR UNIT

1. Replace air bag diagnosis sensor unit. Refer to [SR-23, "Exploded View"](#).
2. Perform DTC confirmation procedure. Refer to [SRC-38, "DTC Logic"](#).

Is DTC detected?

- YES >> GO TO 1.
NO >> INSPECTION END

A
B
C
D
E
F
G
I
J
K
L
M
N
O
P

SRC

B1042, B1043, B1044, B1045, B1046, B1047 DIAGNOSIS SENSOR UNIT

< DTC/CIRCUIT DIAGNOSIS >

B1042, B1043, B1044, B1045, B1046, B1047 DIAGNOSIS SENSOR UNIT

Description

INFOID:000000005656457

Checks the entire SRS and displays the malfunction either by illuminating or blinking the air bag warning lamp on the combination meter. Malfunctioning part can be detected by on board self-diagnosis system and CONSULT-III.

OPERATION

It detects a shock that exceeds a specified level and monitors whether the driver and passenger air bags, front side air bag, side curtain air bag and pre-tensioner seat belts operate normally.

STRUCTURE

It contains the "G" sensors for both frontal and side collisions and spare battery function in case of main battery damage in collision.

INSTALLATION

Air bag diagnosis sensor unit is installed under the center console with fixed bolts.

DTC Logic

INFOID:000000005656458

DTC No.	Trouble diagnosis name	DTC detecting condition	Possible cause
B1042 B1043 B1044 B1045 B1046 B1047	CONTROL UNIT	Air bag diagnosis sensor unit is malfunctioning or out of the specification	<ul style="list-style-type: none">Malfunction in air bag diagnosis sensor unitConfiguration in air bag diagnosis sensor unit does not match the vehicle specification

DTC CONFIRMATION PROCEDURE

1. CHECK SELF-DIAG RESULT

With CONSULT-III

- Turn ignition switch ON.
- Perform "AIR BAG" Self Diagnostic Result.

Without CONSULT-III

- Turn ignition switch ON.
- Check the air bag warning lamp status. Refer to [SRC-14, "Air Bag Warning Lamp Diagnosis"](#).

NOTE:

SRS does not enter diagnosis mode if no malfunction is detected in user mode.

Is malfunctioning part detected?

YES >> Refer to [SRC-40, "Diagnosis Procedure"](#).

NO >> INSPECTION END

Diagnosis Procedure

INFOID:000000005656459

WARNING:

- Before servicing, turn ignition switch OFF, disconnect battery negative terminal and wait at least 3 minutes. (To discharge backup capacitor.)
- Never use unspecified tester or other measuring device.

1. CHECK HARNESS CONNECTOR

Check the harness connector.

Is the inspection result normal?

YES >> GO TO 2.

NO >> Replace harness connectors.

2. CHECK WIRING HARNESS

Check the wiring harness externals.

Is the inspection result normal?

B1042, B1043, B1044, B1045, B1046, B1047 DIAGNOSIS SENSOR UNIT

< DTC/CIRCUIT DIAGNOSIS >

YES >> GO TO 3.

NO >> Replace wiring harness.

3. REPLACE AIR BAG DIAGNOSIS SENSOR UNIT

1. Replace air bag diagnosis sensor unit. Refer to [SR-23. "Exploded View"](#).

2. Perform DTC confirmation procedure. Refer to [SRC-40. "DTC Logic"](#).

Is DTC detected?

YES >> GO TO 1.

NO >> INSPECTION END

A

B

C

D

E

F

G

SRC

I

J

K

L

M

N

O

P

B1049, B1054 DRIVER AIRBAG MODULE

< DTC/CIRCUIT DIAGNOSIS >

B1049, B1054 DRIVER AIRBAG MODULE

Description

INFOID:000000005656460

For driver air bag module, crash is judged by main "G" sensor output signal and safing algorithm in front direction.

OPERATION

In case of frontal collision whose acceleration exceeds the specified level, the ignition materials are ignited by electric ignition system. The system burns the gas generating materials resulting in a chemical reaction. This generates hot gases that flow into the air bag through a filter and expand the bag.

STRUCTURE

Driver air bag module mainly consists of air bag and inflator that inflates air bag.

INSTALLATION

Driver air bag module is installed on the center of steering wheel with fixed bolts.

DTC Logic

INFOID:000000005656461

DTC No.	Trouble diagnosis name	DTC detecting condition	Possible cause
B1049 B1054	DRIVER AIRBAG MODULE [OPEN]	Driver air bag module circuit is open (including the spiral cable)	<ul style="list-style-type: none">• Disconnection of wiring harness and open• Malfunction in driver air bag module• Malfunction in spiral cable• Malfunction in air bag diagnosis sensor unit

DTC CONFIRMATION PROCEDURE

1. CHECK SELF-DIAG RESULT

With CONSULT-III

1. Turn ignition switch ON.
2. Perform "AIR BAG" Self Diagnostic Result.

Without CONSULT-III

1. Turn ignition switch ON.
2. Check the air bag warning lamp status. Refer to [SRC-14, "Air Bag Warning Lamp Diagnosis"](#).

NOTE:

SRS does not enter diagnosis mode if no malfunction is detected in user mode.

Is malfunctioning part detected?

- YES >> Refer to [SRC-42, "Diagnosis Procedure"](#).
NO >> INSPECTION END

Diagnosis Procedure

INFOID:000000005656462

WARNING:

With CONSULT-III

- Before servicing, turn ignition switch OFF, disconnect battery negative terminal and wait at least 3 minutes. (To discharge backup capacitor.)
- Never use unspecified tester or other measuring device.

1. CHECK HARNESS CONNECTOR

Check the harness connector.

Is the inspection result normal?

- YES >> GO TO 2.
NO >> Replace harness connector.

2. CHECK WIRING HARNESS

Check the wiring harness externals.

Is the inspection result normal?

B1049, B1054 DRIVER AIRBAG MODULE

< DTC/CIRCUIT DIAGNOSIS >

- YES >> GO TO 3.
NO >> Replace wiring harness.

3.CHECK SPIRAL CABLE CIRCUIT

1. Turn ignition switch OFF.
2. Disconnect driver air bag module harness connector and combination switch (spiral cable) harness connector.
3. Check continuity between driver air bag module harness connector and combination switch (spiral cable) harness connector.

Driver air bag module		Combination switch (spiral cable)		Continuity
Connector	Terminal	Connector	Terminal	
M302	10	M35	28	Existed
	11		30	
M301	12		29	
	9		30	

4. Check continuity between driver air bag module harness connector and ground.

Driver side air bag module		Ground	Continuity
Connector	Terminal		
M302	10		Not existed
	11		
M301	12		
	9		

Is the inspection result normal?

- YES >> GO TO 4.
NO >> Replace combination switch (spiral cable). Refer to [SR-14, "Exploded View"](#).

4.REPLACE AIR BAG DIAGNOSIS SENSOR UNIT

1. Replace air bag diagnosis sensor unit. Refer to [SR-23, "Exploded View"](#)
2. Perform DTC confirmation procedure. Refer to [SRC-42, "DTC Logic"](#).

Is DTC detected?

- YES >> GO TO 5.
NO >> INSPECTION END

5.REPLACE DRIVER AIR BAG MODULE

1. Replace driver air bag module. Refer to [SR-11, "Exploded View"](#)
2. Perform DTC confirmation procedure. Refer to [SRC-42, "DTC Logic"](#).

Is DTC detected?

- YES >> GO TO 1.
NO >> INSPECTION END

B1050, B1055 DRIVER AIRBAG MODULE

< DTC/CIRCUIT DIAGNOSIS >

B1050, B1055 DRIVER AIRBAG MODULE

Description

INFOID:000000005656463

For driver air bag module, crash is judged by main "G" sensor output signal and safing algorithm in front direction.

OPERATION

In case of frontal collision whose acceleration exceeds the specified level, the ignition materials are ignited by electric ignition system. The system burns the gas generating materials resulting in a chemical reaction. This generates hot gases that flow into the air bag through a filter and expand the bag.

STRUCTURE

Driver air bag module mainly consists of air bag and inflator that inflates air bag.

INSTALLATION

Driver air bag module is installed on the center of steering wheel with fixed bolts.

DTC Logic

INFOID:000000005656464

DTC No.	Trouble diagnosis name	DTC detecting condition	Possible cause
B1050 B1055	DRIVER AIRBAG MODULE [VB-SHORT]	Driver air bag module circuit is shorted to some power supply circuit (including the spiral cable)	<ul style="list-style-type: none">• Disconnection of wiring harness and short• Malfunction in driver air bag module• Malfunction in spiral cable• Malfunction in air bag diagnosis sensor unit

DTC CONFIRMATION PROCEDURE

1. CHECK SELF-DIAG RESULT

Ⓟ With CONSULT-III

1. Turn ignition switch ON.
2. Perform "AIR BAG" Self Diagnostic Result.

ⓧ Without CONSULT-III

1. Turn ignition switch ON.
2. Check the air bag warning lamp status. Refer to [SRC-14, "Air Bag Warning Lamp Diagnosis"](#).

NOTE:

SRS does not enter diagnosis mode if no malfunction is detected in user mode.

Is malfunctioning part detected?

- YES >> Refer to [SRC-44, "Diagnosis Procedure"](#).
NO >> INSPECTION END

Diagnosis Procedure

INFOID:000000005656465

WARNING:

- Before servicing, turn ignition switch OFF, disconnect battery negative terminal and wait at least 3 minutes. (To discharge backup capacitor.)
- Never use unspecified tester or other measuring device.

1. CHECK HARNESS CONNECTOR

Check the harness connector.

Is the inspection result normal?

- YES >> GO TO 2.
NO >> Replace harness connector.

2. CHECK WIRING HARNESS

Check the wiring harness externals.

Is the inspection result normal?

- YES >> GO TO 3.

B1050, B1055 DRIVER AIRBAG MODULE

< DTC/CIRCUIT DIAGNOSIS >

NO >> Replace wiring harness.

3. CHECK SPIRAL CABLE CIRCUIT

1. Turn ignition switch OFF.
2. Disconnect driver air bag module harness connector and combination switch (spiral cable) harness connector.
3. Check continuity between driver air bag module harness connector and combination switch (spiral cable) harness connector.

Driver air bag module		Combination switch (spiral cable)		Continuity
Connector	Terminal	Connector	Terminal	
M302	10	M35	28	Existed
	11		30	
M301	12		29	
	9		30	

4. Check continuity between driver air bag module harness connector and ground.

Driver side air bag module		Ground	Continuity
Connector	Terminal		
M302	10		Not existed
	11		
M301	12		
	9		

Is the inspection result normal?

YES >> GO TO 4.

NO >> Replace combination switch (spiral cable). Refer to [SR-14, "Exploded View"](#).

4. REPLACE AIR BAG DIAGNOSIS SENSOR UNIT

1. Replace air bag diagnosis sensor unit. Refer to [SR-23, "Exploded View"](#).
2. Perform DTC confirmation procedure. Refer to [SRC-44, "DTC Logic"](#).

Is DTC detected?

YES >> GO TO 5.

NO >> INSPECTION END

5. REPLACE DRIVER AIR BAG MODULE

1. Replace driver air bag module. Refer to [SR-11, "Exploded View"](#).
2. Perform DTC confirmation procedure. Refer to [SRC-42, "DTC Logic"](#).

Is DTC detected?

YES >> GO TO 1.

NO >> INSPECTION END

A
B
C
D
E
F
G
I
J
K
L
M
N
O
P

SRC

B1051, B1056 DRIVER AIRBAG MODULE

< DTC/CIRCUIT DIAGNOSIS >

B1051, B1056 DRIVER AIRBAG MODULE

Description

INFOID:000000005656466

For driver air bag module, crash is judged by main "G" sensor output signal and safing algorithm in front direction.

OPERATION

In case of frontal collision whose acceleration exceeds the specified level, the ignition materials are ignited by electric ignition system. The system burns the gas generating materials resulting in a chemical reaction. This generates hot gases that flow into the air bag through a filter and expand the bag.

STRUCTURE

Driver air bag module mainly consists of air bag and inflator that inflates air bag.

INSTALLATION

Driver air bag module is installed on the center of steering wheel with fixed bolts.

DTC Logic

INFOID:000000005656467

DTC No.	Trouble diagnosis name	DTC detecting condition	Possible cause
B1051 B1056	DRIVER AIRBAG MODULE [GND-SHORT]	Driver air bag module circuit is shorted to ground (including the spiral cable)	<ul style="list-style-type: none">• Disconnection of wiring harness and short• Malfunction in driver air bag module• Malfunction in spiral cable• Malfunction in air bag diagnosis sensor unit

DTC CONFIRMATION PROCEDURE

1. CHECK SELF-DIAG RESULT

Ⓟ With CONSULT-III

1. Turn ignition switch ON.
2. Perform "AIR BAG" Self Diagnostic Result.

ⓧ Without CONSULT-III

1. Turn ignition switch ON.
2. Check the air bag warning lamp status. Refer to [SRC-14, "Air Bag Warning Lamp Diagnosis"](#).

NOTE:

SRS does not enter diagnosis mode if no malfunction is detected in user mode.

Is malfunctioning part detected?

- YES >> Refer to [SRC-46, "Diagnosis Procedure"](#).
NO >> INSPECTION END

Diagnosis Procedure

INFOID:000000005656468

WARNING:

- Before servicing, turn ignition switch OFF, disconnect battery negative terminal and wait at least 3 minutes. (To discharge backup capacitor.)
- Never use unspecified tester or other measuring device.

1. CHECK HARNESS CONNECTOR

Check the harness connector.

Is the inspection result normal?

- YES >> GO TO 2.
NO >> Replace harness connector.

2. CHECK WIRING HARNESS

Check the wiring harness externals.

Is the inspection result normal?

- YES >> GO TO 3.

B1051, B1056 DRIVER AIRBAG MODULE

< DTC/CIRCUIT DIAGNOSIS >

NO >> Replace wiring harness.

3. CHECK SPIRAL CABLE CIRCUIT

1. Turn ignition switch OFF.
2. Disconnect driver air bag module harness connector and combination switch (spiral cable) harness connector.
3. Check continuity between driver air bag module harness connector and combination switch (spiral cable) harness connector.

Driver air bag module		Combination switch (spiral cable)		Continuity
Connector	Terminal	harness connector	Terminal	
M302	10	M35	28	Existed
	11		30	
M301	12		29	
	9		30	

4. Check continuity between driver air bag module harness connector and ground.

Driver side air bag module		Ground	Continuity
Connector	Terminal		
M302	10		Not existed
	11		
M301	12		
	9		

Is the inspection result normal?

YES >> GO TO 4.

NO >> Replace combination switch (spiral cable). Refer to [SR-23, "Exploded View"](#).

4. REPLACE AIR BAG DIAGNOSIS SENSOR UNIT

1. Replace air bag diagnosis sensor unit. Refer to [SR-23, "Exploded View"](#).
2. Perform DTC confirmation procedure. Refer to [SRC-46, "DTC Logic"](#).

Is DTC detected?

YES >> GO TO 5.

NO >> INSPECTION END

5. REPLACE DRIVER AIR BAG MODULE

1. Replace driver air bag module. Refer to [SR-11, "Exploded View"](#).
2. Perform DTC confirmation procedure. Refer to [SRC-46, "DTC Logic"](#).

Is DTC detected?

YES >> GO TO 1.

NO >> INSPECTION END

B1052, B1057 DRIVER AIRBAG MODULE

< DTC/CIRCUIT DIAGNOSIS >

B1052, B1057 DRIVER AIRBAG MODULE

Description

INFOID:000000005656469

For driver air bag module, crash is judged by main "G" sensor output signal and safing algorithm in front direction.

OPERATION

In case of frontal collision whose acceleration exceeds the specified level, the ignition materials are ignited by electric ignition system. The system burns the gas generating materials resulting in a chemical reaction. This generates hot gases that flow into the air bag through a filter and expand the bag.

STRUCTURE

Driver air bag module mainly consists of air bag and inflator that inflates air bag.

INSTALLATION

Driver air bag module is installed on the center of steering wheel with fixed bolts.

DTC Logic

INFOID:000000005656470

DTC No.	Trouble diagnosis name	DTC detecting condition	Possible cause
B1052 B1057	DRIVER AIRBAG MODULE [SHORT]	Driver air bag module circuit are shorted to each other (including the spiral cable)	<ul style="list-style-type: none">• Disconnection of wiring harness and short• Malfunction in driver air bag module• Malfunction in spiral cable• Malfunction in air bag diagnosis sensor unit

DTC CONFIRMATION PROCEDURE

1. CHECK SELF-DIAG RESULT

Ⓟ With CONSULT-III

1. Turn ignition switch ON.
2. Perform "AIR BAG" Self Diagnostic Result.

ⓧ Without CONSULT-III

1. Turn ignition switch ON.
2. Check the air bag warning lamp status. Refer to [SRC-14, "Air Bag Warning Lamp Diagnosis"](#).

NOTE:

SRS does not enter diagnosis mode if no malfunction is detected in user mode.

Is malfunctioning part detected?

- YES >> Refer to [SRC-48, "Diagnosis Procedure"](#).
NO >> INSPECTION END

Diagnosis Procedure

INFOID:000000005656471

WARNING:

- Before servicing, turn ignition switch OFF, disconnect battery negative terminal and wait at least 3 minutes. (To discharge backup capacitor.)
- Never use unspecified tester or other measuring device.

1. CHECK HARNESS CONNECTOR

Check the harness connector.

Is the inspection result normal?

- YES >> GO TO 2.
NO >> Replace harness connector.

2. CHECK WIRING HARNESS

Check the wiring harness externals.

Is the inspection result normal?

- YES >> GO TO 3.

B1052, B1057 DRIVER AIRBAG MODULE

< DTC/CIRCUIT DIAGNOSIS >

NO >> Replace wiring harness.

3. CHECK SPIRAL CABLE CIRCUIT

1. Turn ignition switch OFF.
2. Disconnect driver air bag module harness connector and combination switch (spiral cable) harness connector.
3. Check continuity between driver air bag module harness connector and combination switch (spiral cable) harness connector.

Driver air bag module		Combination switch (spiral cable)		Continuity
Connector	Terminal	Connector	Terminal	
M302	10	M35	28	Existed
	11		30	
M301	12		29	
	9		30	

4. Check continuity between driver air bag module harness connector and ground.

Driver side air bag module		Ground	Continuity
Connector	Terminal		
M302	10		Not existed
	11		
M301	12		
	9		

Is the inspection result normal?

YES >> GO TO 4.

NO >> Replace combination switch (spiral cable). Refer to [SR-14, "Exploded View"](#).

4. REPLACE AIR BAG DIAGNOSIS SENSOR UNIT

1. Replace air bag diagnosis sensor unit. Refer to [SR-23, "Exploded View"](#).
2. Perform DTC confirmation procedure. Refer to [SRC-48, "DTC Logic"](#).

Is DTC detected?

YES >> GO TO 5.

NO >> INSPECTION END

5. REPLACE DRIVER AIR BAG MODULE

1. Replace driver air bag module. Refer to [SR-11, "Exploded View"](#).
2. Perform DTC confirmation procedure. Refer to [SRC-48, "DTC Logic"](#).

Is DTC detected?

YES >> GO TO 1.

NO >> INSPECTION END

B1058, B1059, B1060, B1061, B1062, B1063 DIAGNOSIS SENSOR UNIT

< DTC/CIRCUIT DIAGNOSIS >

B1058, B1059, B1060, B1061, B1062, B1063 DIAGNOSIS SENSOR UNIT

Description

INFOID:000000005656472

Checks the entire SRS and displays the malfunction either by illuminating or blinking the air bag warning lamp on the combination meter. Malfunctioning part can be detected by on board self-diagnosis system and CONSULT-III.

OPERATION

It detects a shock that exceeds a specified level and monitors whether the driver and passenger air bags, front side air bag, side curtain air bag and pre-tensioner seat belts operate normally.

STRUCTURE

It contains the "G" sensors for both frontal and side collisions and spare battery function in case of main battery damage in collision.

INSTALLATION

Air bag diagnosis sensor unit is installed under the center console with fixed bolts.

DTC Logic

INFOID:000000005656473

DTC No.	Trouble diagnosis name	DTC detecting condition	Possible cause
B1058 B1059 B1060 B1061 B1062 B1063	CONTROL UNIT	Air bag diagnosis sensor unit is malfunctioning or out of the specification	<ul style="list-style-type: none">Malfunction in air bag diagnosis sensor unitConfiguration in air bag diagnosis sensor unit does not match the vehicle specification

DTC CONFIRMATION PROCEDURE

1. CHECK SELF-DIAG RESULT

With CONSULT-III

- Turn ignition switch ON.
- Perform "AIR BAG" Self Diagnostic Result.

Without CONSULT-III

- Turn ignition switch ON.
- Check the air bag warning lamp status. Refer to [SRC-14, "Air Bag Warning Lamp Diagnosis"](#).

NOTE:

SRS does not enter diagnosis mode if no malfunction is detected in user mode.

Is malfunctioning part detected?

YES >> Refer to [SRC-50, "Diagnosis Procedure"](#).

NO >> INSPECTION END

Diagnosis Procedure

INFOID:000000005656474

WARNING:

- Before servicing, turn ignition switch OFF, disconnect battery negative terminal and wait at least 3 minutes. (To discharge backup capacitor.)
- Never use unspecified tester or other measuring device.

1. CHECK HARNESS CONNECTOR

Check the harness connector.

Is the inspection result normal?

YES >> GO TO 2.

NO >> Replace harness connectors.

2. CHECK WIRING HARNESS

Check the wiring harness externals.

Is the inspection result normal?

B1058, B1059, B1060, B1061, B1062, B1063 DIAGNOSIS SENSOR UNIT

< DTC/CIRCUIT DIAGNOSIS >

YES >> GO TO 3.

NO >> Replace wiring harness.

3. REPLACE AIR BAG DIAGNOSIS SENSOR UNIT

1. Replace air bag diagnosis sensor unit. Refer to [SR-23. "Exploded View"](#).

2. Perform DTC confirmation procedure. Refer to [SRC-50. "DTC Logic"](#).

Is DTC detected?

YES >> GO TO 1.

NO >> INSPECTION END

A

B

C

D

E

F

G

SRC

I

J

K

L

M

N

O

P

B1065, B1070 ASSIST A/B MODULE

< DTC/CIRCUIT DIAGNOSIS >

B1065, B1070 ASSIST A/B MODULE

Description

INFOID:000000005656475

For front passenger air bag module, crash is judged by main "G" sensor output signal and safing algorithm in front direction.

OPERATION

In case of frontal collision whose acceleration exceeds the specified level, the ignition materials are ignited by electric ignition system. The system burns the gas generating materials resulting in a chemical reaction. This generates hot gases that flow into the air bag through a filter and expand the bag.

STRUCTURE

Front passenger air bag module mainly consists of air bag and inflator that inflates air bag.

INSTALLATION

Front passenger air bag module is installed on the instrument panel with fixed bolts.

DTC Logic

INFOID:000000005656476

DTC No.	Trouble diagnosis name	DTC detecting condition	Possible cause
B1065 B1070	ASSIST A/B MODULE [OPEN]	Front passenger air bag module circuit is open	<ul style="list-style-type: none">• Disconnection of wiring harness and open• Malfunction in front passenger air bag module• Malfunction in air bag diagnosis sensor unit

DTC CONFIRMATION PROCEDURE

1. CHECK SELF-DIAG RESULT

Ⓟ With CONSULT-III

1. Turn ignition switch ON.
2. Perform "AIR BAG" Self Diagnostic Result.

ⓧ Without CONSULT-III

1. Turn ignition switch ON.
2. Check the air bag warning lamp status. Refer to [SRC-14, "Air Bag Warning Lamp Diagnosis"](#).

NOTE:

SRS does not enter diagnosis mode if no malfunction is detected in user mode.

Is malfunctioning part detected?

- YES >> Refer to [SRC-52, "Diagnosis Procedure"](#).
NO >> INSPECTION END

Diagnosis Procedure

INFOID:000000005656477

WARNING:

- Before servicing, turn ignition switch OFF, disconnect battery negative terminal and wait at least 3 minutes. (To discharge backup capacitor.)
- Never use unspecified tester or other measuring device.

1. CHECK HARNESS CONNECTOR

Check the harness connector.

Is the inspection result normal?

- YES >> GO TO 2.
NO >> Replace harness connector.

2. CHECK WIRING HARNESS

Check the wiring harness externals.

Is the inspection result normal?

- YES >> GO TO 3.

B1065, B1070 ASSIST A/B MODULE

< DTC/CIRCUIT DIAGNOSIS >

NO >> Replace wiring harness.

3.REPLACE AIR BAG DIAGNOSIS SENSOR UNIT

1. Replace air bag diagnosis sensor unit. Refer to [SR-23, "Exploded View"](#).
2. Perform DTC confirmation procedure. Refer to [SRC-52, "DTC Logic"](#).

Is DTC detected?

YES >> GO TO 4.

NO >> INSPECTION END

4.REPLACE FRONT PASSENGER AIR BAG MODULE

1. Replace front passenger air bag module. Refer to [SR-17, "Exploded View"](#).
2. Perform DTC confirmation procedure. Refer to [SRC-52, "DTC Logic"](#).

Is DTC detected?

YES >> GO TO 1.

NO >> INSPECTION END

A
B
C
D
E
F
G
I
J
K
L
M
N
O
P

SRC

B1066, B1071 ASSIST A/B MODULE

< DTC/CIRCUIT DIAGNOSIS >

B1066, B1071 ASSIST A/B MODULE

Description

INFOID:000000005656478

For front passenger air bag module, crash is judged by main "G" sensor output signal and safing algorithm in front direction.

OPERATION

In case of frontal collision whose acceleration exceeds the specified level, the ignition materials are ignited by electric ignition system. The system burns the gas generating materials resulting in a chemical reaction. This generates hot gases that flow into the air bag through a filter and expand the bag.

STRUCTURE

Front passenger air bag module mainly consists of air bag and inflator that inflates air bag.

INSTALLATION

Front passenger air bag module is installed on the instrument panel with fixed bolts.

DTC Logic

INFOID:000000005656479

DTC No.	Trouble diagnosis name	DTC detecting condition	Possible cause
B1066 B1071	ASSIST A/B MODULE [VB-SHORT]	Front passenger air bag module circuit is shorted to some power supply circuit	<ul style="list-style-type: none">• Disconnection of wiring harness and short• Malfunction in front passenger air bag module• Malfunction in air bag diagnosis sensor unit

DTC CONFIRMATION PROCEDURE

1. CHECK SELF-DIAG RESULT

With CONSULT-III

1. Turn ignition switch ON.
2. Perform "AIR BAG" Self Diagnostic Result.

Without CONSULT-III

1. Turn ignition switch ON.
2. Check the air bag warning lamp status. Refer to [SRC-14, "Air Bag Warning Lamp Diagnosis"](#).

NOTE:

SRS does not enter diagnosis mode if no malfunction is detected in user mode.

Is malfunctioning part detected?

- YES >> Refer to [SRC-54, "Diagnosis Procedure"](#).
NO >> INSPECTION END

Diagnosis Procedure

INFOID:000000005656480

WARNING:

- Before servicing, turn ignition switch OFF, disconnect battery negative terminal and wait at least 3 minutes. (To discharge backup capacitor.)
- Never use unspecified tester or other measuring device.

1. CHECK HARNESS CONNECTOR

Check the harness connector.

Is the inspection result normal?

- YES >> GO TO 2.
NO >> Replace harness connector.

2. CHECK WIRING HARNESS

Check the wiring harness externals.

Is the inspection result normal?

- YES >> GO TO 3.

B1066, B1071 ASSIST A/B MODULE

< DTC/CIRCUIT DIAGNOSIS >

NO >> Replace wiring harness.

3.REPLACE AIR BAG DIAGNOSIS SENSOR UNIT

1. Replace air bag diagnosis sensor unit. Refer to [SR-23, "Exploded View"](#).
2. Perform DTC confirmation procedure. Refer to [SRC-54, "DTC Logic"](#).

Is DTC detected?

YES >> GO TO 4.

NO >> INSPECTION END

4.REPLACE FRONT PASSENGER AIR BAG MODULE

1. Replace front passenger air bag module. Refer to [SR-17, "Exploded View"](#).
2. Perform DTC confirmation procedure. Refer to [SRC-54, "DTC Logic"](#).

Is DTC detected?

YES >> GO TO 1.

NO >> INSPECTION END

A
B
C
D
E
F
G
I
J
K
L
M
N
O
P

SRC

B1067, B1072 ASSIST A/B MODULE

< DTC/CIRCUIT DIAGNOSIS >

B1067, B1072 ASSIST A/B MODULE

Description

INFOID:000000005656481

For front passenger air bag module, crash is judged by main "G" sensor output signal and safing algorithm in front direction.

OPERATION

In case of frontal collision whose acceleration exceeds the specified level, the ignition materials are ignited by electric ignition system. The system burns the gas generating materials resulting in a chemical reaction. This generates hot gases that flow into the air bag through a filter and expand the bag.

STRUCTURE

Front passenger air bag module mainly consists of air bag and inflator that inflates air bag.

INSTALLATION

Front passenger air bag module is installed on the instrument panel with fixed bolts.

DTC Logic

INFOID:000000005656482

DTC No.	Trouble diagnosis name	DTC detecting condition	Possible cause
B1067 B1072	ASSIST A/B MODULE [GND-SHORT]	Front passenger air bag module circuit is shorted to ground	<ul style="list-style-type: none">• Disconnection of wiring harness and short• Malfunction in front passenger air bag module• Malfunction in air bag diagnosis sensor unit

DTC CONFIRMATION PROCEDURE

1. CHECK SELF-DIAG RESULT

With CONSULT-III

1. Turn ignition switch ON.
2. Perform "AIR BAG" Self Diagnostic Result.

Without CONSULT-III

1. Turn ignition switch ON.
2. Check the air bag warning lamp status. Refer to [SRC-14, "Air Bag Warning Lamp Diagnosis"](#).

NOTE:

SRS does not enter diagnosis mode if no malfunction is detected in user mode.

Is malfunctioning part detected?

- YES >> Refer to [SRC-56, "Diagnosis Procedure"](#).
NO >> INSPECTION END

Diagnosis Procedure

INFOID:000000005656483

WARNING:

- Before servicing, turn ignition switch OFF, disconnect battery negative terminal and wait at least 3 minutes. (To discharge backup capacitor.)
- Never use unspecified tester or other measuring device.

1. CHECK HARNESS CONNECTOR

Check the harness connector.

Is the inspection result normal?

- YES >> GO TO 2.
NO >> Replace harness connector.

2. CHECK WIRING HARNESS

Check the wiring harness externals.

Is the inspection result normal?

- YES >> GO TO 3.

B1067, B1072 ASSIST A/B MODULE

< DTC/CIRCUIT DIAGNOSIS >

NO >> Replace wiring harness.

3.REPLACE AIR BAG DIAGNOSIS SENSOR UNIT

1. Replace air bag diagnosis sensor unit. Refer to [SR-23, "Exploded View"](#).
2. Perform DTC confirmation procedure. Refer to [SRC-56, "DTC Logic"](#).

Is DTC detected?

YES >> GO TO 4.

NO >> INSPECTION END

4.REPLACE FRONT PASSENGER AIR BAG MODULE

1. Replace front passenger air bag module. Refer to [SR-17, "Exploded View"](#).
2. Perform DTC confirmation procedure. Refer to [SRC-56, "DTC Logic"](#).

Is DTC detected?

YES >> GO TO 1.

NO >> INSPECTION END

A
B
C
D
E
F
G
I
J
K
L
M
N
O
P

SRC

B1068, B1073 ASSIST A/B MODULE

< DTC/CIRCUIT DIAGNOSIS >

B1068, B1073 ASSIST A/B MODULE

Description

INFOID:000000005656484

For front passenger air bag module, crash is judged by main "G" sensor output signal and safing algorithm in front direction.

OPERATION

In case of frontal collision whose acceleration exceeds the specified level, the ignition materials are ignited by electric ignition system. The system burns the gas generating materials resulting in a chemical reaction. This generates hot gases that flow into the air bag through a filter and expand the bag.

STRUCTURE

Front passenger air bag module mainly consists of air bag and inflator that inflates air bag.

INSTALLATION

Front passenger air bag module is installed on the instrument panel with fixed bolts.

DTC Logic

INFOID:000000005656485

DTC No.	Trouble diagnosis name	DTC detecting condition	Possible cause
B1068 B1073	ASSIST A/B MODULE [SHORT]	Front passenger air bag module circuits are shorted to each other	<ul style="list-style-type: none">• Disconnection of wiring harness and short• Malfunction in front passenger air bag module• Malfunction in air bag diagnosis sensor unit

DTC CONFIRMATION PROCEDURE

1. CHECK SELF-DIAG RESULT

With CONSULT-III

1. Turn ignition switch ON.
2. Perform "AIR BAG" Self Diagnostic Result.

Without CONSULT-III

1. Turn ignition switch ON.
2. Check the air bag warning lamp status. Refer to [SRC-14, "Air Bag Warning Lamp Diagnosis"](#).

NOTE:

SRS does not enter diagnosis mode if no malfunction is detected in user mode.

Is malfunctioning part detected?

- YES >> Refer to [SRC-58, "Diagnosis Procedure"](#).
NO >> INSPECTION END

Diagnosis Procedure

INFOID:000000005656486

WARNING:

- Before servicing, turn ignition switch OFF, disconnect battery negative terminal and wait at least 3 minutes. (To discharge backup capacitor.)
- Never use unspecified tester or other measuring device.

1. CHECK HARNESS CONNECTOR

Check the harness connector.

Is the inspection result normal?

- YES >> GO TO 2.
NO >> Replace harness connector.

2. CHECK WIRING HARNESS

Check the wiring harness externals.

Is the inspection result normal?

- YES >> GO TO 3.

B1068, B1073 ASSIST A/B MODULE

< DTC/CIRCUIT DIAGNOSIS >

NO >> Replace wiring harness.

3.REPLACE AIR BAG DIAGNOSIS SENSOR UNIT

1. Replace air bag diagnosis sensor unit. Refer to [SR-23, "Exploded View"](#).
2. Perform DTC confirmation procedure. Refer to [SRC-58, "DTC Logic"](#).

Is DTC detected?

YES >> GO TO 4.

NO >> INSPECTION END

4.REPLACE FRONT PASSENGER AIR BAG MODULE

1. Replace front passenger air bag module. Refer to [SR-17, "Exploded View"](#).
2. Perform DTC confirmation procedure. Refer to [SRC-58, "DTC Logic"](#).

Is DTC detected?

YES >> GO TO 1.

NO >> INSPECTION END

A
B
C
D
E
F
G
I
J
K
L
M
N
O
P

SRC

B1074, B1075, B1076, B1077, B1078, B1079 DIAGNOSIS SENSOR UNIT

< DTC/CIRCUIT DIAGNOSIS >

B1074, B1075, B1076, B1077, B1078, B1079 DIAGNOSIS SENSOR UNIT

Description

INFOID:000000005656487

Checks the entire SRS and displays the malfunction either by illuminating or blinking the air bag warning lamp on the combination meter. Malfunctioning part can be detected by on board self-diagnosis system and CONSULT-III.

OPERATION

It detects a shock that exceeds a specified level and monitors whether the driver and passenger air bags, front side air bag, side curtain air bag and pre-tensioner seat belts operate normally.

STRUCTURE

It contains the "G" sensors for both frontal and side collisions and spare battery function in case of main battery damage in collision.

INSTALLATION

Air bag diagnosis sensor unit is installed under the center console with fixed bolts.

DTC Logic

INFOID:000000005656488

DTC No.	Trouble diagnosis name	DTC detecting condition	Possible cause
B1074 B1075 B1076 B1077 B1078 B1079	CONTROL UNIT	Air bag diagnosis sensor unit is malfunctioning or out of the specification	<ul style="list-style-type: none">Malfunction in air bag diagnosis sensor unitConfiguration in air bag diagnosis sensor unit does not match the vehicle specification

DTC CONFIRMATION PROCEDURE

1. CHECK SELF-DIAG RESULT

④ With CONSULT-III

- Turn ignition switch ON.
- Perform "AIR BAG" Self Diagnostic Result.

④ Without CONSULT-III

- Turn ignition switch ON.
- Check the air bag warning lamp status. Refer to [SRC-14, "Air Bag Warning Lamp Diagnosis"](#).

NOTE:

SRS does not enter diagnosis mode if no malfunction is detected in user mode.

Is malfunctioning part detected?

YES >> Refer to [SRC-60, "Diagnosis Procedure"](#).

NO >> INSPECTION END

Diagnosis Procedure

INFOID:000000005656489

WARNING:

- Before servicing, turn ignition switch OFF, disconnect battery negative terminal and wait at least 3 minutes. (To discharge backup capacitor.)
- Never use unspecified tester or other measuring device.

1. CHECK HARNESS CONNECTOR

Check the harness connector.

Is the inspection result normal?

YES >> GO TO 2.

NO >> Replace harness connectors.

2. CHECK WIRING HARNESS

Check the wiring harness externals.

Is the inspection result normal?

B1074, B1075, B1076, B1077, B1078, B1079 DIAGNOSIS SENSOR UNIT

< DTC/CIRCUIT DIAGNOSIS >

YES >> GO TO 3.

NO >> Replace wiring harness.

3. REPLACE AIR BAG DIAGNOSIS SENSOR UNIT

1. Replace air bag diagnosis sensor unit. Refer to [SR-23. "Exploded View"](#).

2. Perform DTC confirmation procedure. Refer to [SRC-60. "DTC Logic"](#).

Is DTC detected?

YES >> GO TO 1.

NO >> INSPECTION END

A

B

C

D

E

F

G

SRC

I

J

K

L

M

N

O

P

B1081 PRE-TEN FRONT RH

< DTC/CIRCUIT DIAGNOSIS >

B1081 PRE-TEN FRONT RH

Description

INFOID:000000005656490

For front RH seat belt pre-tensioner, crash is judged by main "G" sensor output signal and safing algorithm in front direction.

OPERATION

In the case of a frontal collision that exceeds specified impact level, the air bag diagnosis sensor unit detects the deceleration caused by collision. It restrains the passenger with seat belt easing the stress on passengers chest with load limiter.

STRUCTURE

The restraint system for front seat occupant consists of the pre-tensioner mechanism and load limiter mechanism.

INSTALLATION

Front RH seat belt pre-tensioner is installed on the underside of center pillar with fixed nuts.

DTC Logic

INFOID:000000005656491

DTC No.	Trouble diagnosis name	DTC detecting condition	Possible cause
B1081	PRE-TEN FRONT RH [OPEN]	Front RH seat belt pre-tensioner circuit is open	<ul style="list-style-type: none">• Disconnection of wiring harness and open• Malfunction in front RH seat belt pre-tensioner• Malfunction in air bag diagnosis sensor unit

DTC CONFIRMATION PROCEDURE

1. CHECK SELF-DIAG RESULT

With CONSULT-III

1. Turn ignition switch ON.
2. Perform "AIR BAG" Self Diagnostic Result.

Without CONSULT-III

1. Turn ignition switch ON.
2. Check the air bag warning lamp status. Refer to [SRC-14, "Air Bag Warning Lamp Diagnosis"](#).

NOTE:

SRS does not enter diagnosis mode if no malfunction is detected in user mode.

Is malfunctioning part detected?

- YES >> Refer to [SRC-62, "Diagnosis Procedure"](#).
NO >> INSPECTION END

Diagnosis Procedure

INFOID:000000005656492

WARNING:

- Before servicing, turn ignition switch OFF, disconnect battery negative terminal and wait at least 3 minutes. (To discharge backup capacitor.)
- Never use unspecified tester or other measuring device.

1. CHECK HARNESS CONNECTOR

Check the harness connector.

Is the inspection result normal?

- YES >> GO TO 2.
NO >> Replace harness connector.

2. CHECK WIRING HARNESS

Check the wiring harness externals.

Is the inspection result normal?

B1081 PRE-TEN FRONT RH

< DTC/CIRCUIT DIAGNOSIS >

- YES >> GO TO 3.
NO >> Replace wiring harness.

3.REPLACE FRONT SEAT BELT PRE-TENSIONER

1. Replace front RH seat belt pre-tensioner. Refer to [SB-6. "SEAT BELT RETRACTOR : Exploded View"](#).
2. Perform DTC confirmation procedure. Refer to [SRC-62. "DTC Logic"](#).

Is DTC detected?

- YES >> GO TO 4.
NO >> INSPECTION END

4.REPLACE AIR BAG DIAGNOSIS SENSOR UNIT

1. Replace air bag diagnosis sensor unit. Refer to [SR-23. "Exploded View"](#).
2. Perform DTC confirmation procedure. Refer to [SRC-62. "DTC Logic"](#).

Is DTC detected?

- YES >> GO TO 1.
NO >> INSPECTION END

A
B
C
D
E
F
G
I
J
K
L
M
N
O
P

SRC

B1082 PRE-TEN FRONT RH

< DTC/CIRCUIT DIAGNOSIS >

B1082 PRE-TEN FRONT RH

Description

INFOID:000000005656493

For front RH seat belt pre-tensioner, crash is judged by main "G" sensor output signal and safing algorithm in front direction.

OPERATION

In the case of a frontal collision that exceeds specified impact level, the air bag diagnosis sensor unit detects the deceleration caused by collision. It restrains the passenger with seat belt easing the stress on passengers chest with load limiter.

STRUCTURE

The restraint system for front seat occupant consists of the pre-tensioner mechanism and load limiter mechanism.

INSTALLATION

Front RH seat belt pre-tensioner is installed on the underside of center pillar with fixed nuts.

DTC Logic

INFOID:000000005656494

DTC No.	Trouble diagnosis name	DTC detecting condition	Possible cause
B1082	PRE-TEN FRONT RH [VB-SHORT]	Front RH seat belt pre-tensioner circuit is shorted to some power supply circuit	<ul style="list-style-type: none">• Disconnection of wiring harness and short• Malfunction in front RH seat belt pre-tensioner• Malfunction in air bag diagnosis sensor unit

DTC CONFIRMATION PROCEDURE

1. CHECK SELF-DIAG RESULT

With CONSULT-III

1. Turn ignition switch ON.
2. Perform "AIR BAG" Self Diagnostic Result.

Without CONSULT-III

1. Turn ignition switch ON.
2. Check the air bag warning lamp status. Refer to [SRC-14, "Air Bag Warning Lamp Diagnosis"](#).

NOTE:

SRS does not enter diagnosis mode if no malfunction is detected in user mode.

Is malfunctioning part detected?

YES >> Refer to [SRC-64, "Diagnosis Procedure"](#).

NO >> INSPECTION END

Diagnosis Procedure

INFOID:000000005656495

WARNING:

- Before servicing, turn ignition switch OFF, disconnect battery negative terminal and wait at least 3 minutes. (To discharge backup capacitor.)
- Never use unspecified tester or other measuring device.

1. CHECK HARNESS CONNECTOR

Check the harness connector.

Is the inspection result normal?

YES >> GO TO 2.

NO >> Replace harness connector.

2. CHECK WIRING HARNESS

Check the wiring harness externals.

Is the inspection result normal?

B1082 PRE-TEN FRONT RH

< DTC/CIRCUIT DIAGNOSIS >

YES >> GO TO 3.

NO >> Replace wiring harness.

3.REPLACE FRONT SEAT BELT PRE-TENSIONER

1. Replace front RH seat belt pre-tensioner. Refer to [SB-6. "SEAT BELT RETRACTOR : Exploded View"](#).

2. Perform DTC confirmation procedure. Refer to [SRC-64. "DTC Logic"](#).

Is DTC detected?

YES >> GO TO 4.

NO >> INSPECTION END

4.REPLACE AIR BAG DIAGNOSIS SENSOR UNIT

1. Replace air bag diagnosis sensor unit. Refer to [SR-23. "Exploded View"](#).

2. Perform DTC confirmation procedure. Refer to [SRC-64. "DTC Logic"](#).

Is DTC detected?

YES >> GO TO 1.

NO >> INSPECTION END

A
B
C
D
E
F
G
I
J
K
L
M
N
O
P

SRC

B1083 PRE-TEN FRONT RH

< DTC/CIRCUIT DIAGNOSIS >

B1083 PRE-TEN FRONT RH

Description

INFOID:000000005656496

For front RH seat belt pre-tensioner, crash is judged by main "G" sensor output signal and safing algorithm in front direction.

OPERATION

In the case of a frontal collision that exceeds specified impact level, the air bag diagnosis sensor unit detects the deceleration caused by collision. It restrains the passenger with seat belt easing the stress on passengers chest with load limiter.

STRUCTURE

The restraint system for front seat occupant consists of the pre-tensioner mechanism and load limiter mechanism.

INSTALLATION

Front RH seat belt pre-tensioner is installed on the underside of center pillar with fixed nuts.

DTC Logic

INFOID:000000005656497

DTC No.	Trouble diagnosis name	DTC detecting condition	Possible cause
B1083	PRE-TEN FRONT RH [GND-SHORT]	Front RH seat belt pre-tensioner circuit is shorted to ground	<ul style="list-style-type: none">• Disconnection of wiring harness and short• Malfunction in front RH seat belt pre-tensioner• Malfunction in air bag diagnosis sensor unit

DTC CONFIRMATION PROCEDURE

1. CHECK SELF-DIAG RESULT

With CONSULT-III

1. Turn ignition switch ON.
2. Perform "AIR BAG" Self Diagnostic Result.

Without CONSULT-III

1. Turn ignition switch ON.
2. Check the air bag warning lamp status. Refer to [SRC-14, "Air Bag Warning Lamp Diagnosis"](#).

NOTE:

SRS does not enter diagnosis mode if no malfunction is detected in user mode.

Is malfunctioning part detected?

YES >> Refer to [SRC-66, "Diagnosis Procedure"](#).

NO >> INSPECTION END

Diagnosis Procedure

INFOID:000000005656498

WARNING:

- Before servicing, turn ignition switch OFF, disconnect battery negative terminal and wait at least 3 minutes. (To discharge backup capacitor.)
- Never use unspecified tester or other measuring device.

1. CHECK HARNESS CONNECTOR

Check the harness connector.

Is the inspection result normal?

YES >> GO TO 2.

NO >> Replace harness connector.

2. CHECK WIRING HARNESS

Check the wiring harness externals.

Is the inspection result normal?

B1083 PRE-TEN FRONT RH

< DTC/CIRCUIT DIAGNOSIS >

- YES >> GO TO 3.
NO >> Replace wiring harness.

3.REPLACE FRONT SEAT BELT PRE-TENSIONER

1. Replace front RH seat belt pre-tensioner. Refer to [SB-6. "SEAT BELT RETRACTOR : Exploded View"](#).
2. Perform DTC confirmation procedure. Refer to [SRC-66. "DTC Logic"](#).

Is DTC detected?

- YES >> GO TO 4.
NO >> INSPECTION END

4.REPLACE AIR BAG DIAGNOSIS SENSOR UNIT

1. Replace air bag diagnosis sensor unit. Refer to [SR-23. "Exploded View"](#).
2. Perform DTC confirmation procedure. Refer to [SRC-66. "DTC Logic"](#).

Is DTC detected?

- YES >> GO TO 1.
NO >> INSPECTION END

A
B
C
D
E
F
G
I
J
K
L
M
N
O
P

SRC

B1084 PRE-TEN FRONT RH

< DTC/CIRCUIT DIAGNOSIS >

B1084 PRE-TEN FRONT RH

Description

INFOID:000000005656499

For front RH seat belt pre-tensioner, crash is judged by main "G" sensor output signal and safing algorithm in front direction.

OPERATION

In the case of a frontal collision that exceeds specified impact level, the air bag diagnosis sensor unit detects the deceleration caused by collision. It restrains the passenger with seat belt easing the stress on passengers chest with load limiter.

STRUCTURE

The restraint system for front seat occupant consists of the pre-tensioner mechanism and load limiter mechanism.

INSTALLATION

Front RH seat belt pre-tensioner is installed on the underside of center pillar with fixed nuts.

DTC Logic

INFOID:000000005656500

DTC No.	Trouble diagnosis name	DTC detecting condition	Possible cause
B1084	PRE-TEN FRONT RH [SHORT]	Front RH seat belt pre-tensioner circuit are shorted to each other	<ul style="list-style-type: none">• Disconnection of wiring harness and short• Malfunction in front RH seat belt pre-tensioner• Malfunction in air bag diagnosis sensor unit

DTC CONFIRMATION PROCEDURE

1.CHECK SELF-DIAG RESULT

With CONSULT-III

1. Turn ignition switch ON.
2. Perform "AIR BAG" Self Diagnostic Result.

Without CONSULT-III

1. Turn ignition switch ON.
2. Check the air bag warning lamp status. Refer to [SRC-14, "Air Bag Warning Lamp Diagnosis"](#).

NOTE:

SRS does not enter diagnosis mode if no malfunction is detected in user mode.

Is malfunctioning part detected?

- YES >> Refer to [SRC-68, "Diagnosis Procedure"](#).
NO >> INSPECTION END

Diagnosis Procedure

INFOID:000000005656501

WARNING:

- Before servicing, turn ignition switch OFF, disconnect battery negative terminal and wait at least 3 minutes. (To discharge backup capacitor.)
- Never use unspecified tester or other measuring device.

1.CHECK HARNESS CONNECTOR

Check the harness connector.

Is the inspection result normal?

- YES >> GO TO 2.
NO >> Replace harness connector.

2.CHECK WIRING HARNESS

Check the wiring harness externals.

Is the inspection result normal?

B1084 PRE-TEN FRONT RH

< DTC/CIRCUIT DIAGNOSIS >

YES >> GO TO 3.

NO >> Replace wiring harness.

3.REPLACE FRONT SEAT BELT PRE-TENSIONER

1. Replace front RH seat belt pre-tensioner. Refer to [SB-6. "SEAT BELT RETRACTOR : Exploded View"](#).

2. Perform DTC confirmation procedure. Refer to [SRC-68. "DTC Logic"](#).

Is DTC detected?

YES >> GO TO 4.

NO >> INSPECTION END

4.REPLACE AIR BAG DIAGNOSIS SENSOR UNIT

1. Replace air bag diagnosis sensor unit. Refer to [SR-23. "Exploded View"](#).

2. Perform DTC confirmation procedure. Refer to [SRC-68. "DTC Logic"](#).

Is DTC detected?

YES >> GO TO 1.

NO >> INSPECTION END

A
B
C
D
E
F
G
I
J
K
L
M
N
O
P

SRC

B1086 PRE-TEN FRONT LH

< DTC/CIRCUIT DIAGNOSIS >

B1086 PRE-TEN FRONT LH

Description

INFOID:000000005656502

For front LH seat belt pre-tensioner, crash is judged by main "G" sensor output signal and safing algorithm in front direction.

OPERATION

In the case of a frontal collision that exceeds specified impact level, the air bag diagnosis sensor unit detects the deceleration caused by collision. It restrains the passenger with seat belt easing the stress on passengers chest with load limiter.

STRUCTURE

The restraint system for front seat occupant consists of the pre-tensioner mechanism and load limiter mechanism.

INSTALLATION

Front LH seat belt pre-tensioner is installed on the underside of center pillar with fixed nuts.

DTC Logic

INFOID:000000005656503

DTC No.	Trouble diagnosis name	DTC detecting condition	Possible cause
B1086	PRE-TEN FRONT LH [OPEN]	Front LH seat belt pre-tensioner circuit is open	<ul style="list-style-type: none">• Disconnection of wiring harness and open• Malfunction in front LH seat belt pre-tensioner• Malfunction in air bag diagnosis sensor unit

DTC CONFIRMATION PROCEDURE

1.CHECK SELF-DIAG RESULT

With CONSULT-III

1. Turn ignition switch ON.
2. Perform "AIR BAG" Self Diagnostic Result.

Without CONSULT-III

1. Turn ignition switch ON.
2. Check the air bag warning lamp status. Refer to [SRC-14, "Air Bag Warning Lamp Diagnosis"](#).

NOTE:

SRS does not enter diagnosis mode if no malfunction is detected in user mode.

Is malfunctioning part detected?

- YES >> Refer to [SRC-70, "Diagnosis Procedure"](#).
NO >> INSPECTION END

Diagnosis Procedure

INFOID:000000005656504

WARNING:

- Before servicing, turn ignition switch OFF, disconnect battery negative terminal and wait at least 3 minutes. (To discharge backup capacitor.)
- Never use unspecified tester or other measuring device.

1.CHECK HARNESS CONNECTOR

Check the harness connector.

Is the inspection result normal?

- YES >> GO TO 2.
NO >> Replace harness connector.

2.CHECK WIRING HARNESS

Check the wiring harness externals.

Is the inspection result normal?

B1086 PRE-TEN FRONT LH

< DTC/CIRCUIT DIAGNOSIS >

- YES >> GO TO 3.
- NO >> Replace wiring harness.

3.REPLACE FRONT SEAT BELT PRE-TENSIONER

1. Replace front LH seat belt pre-tensioner. Refer to [SB-6. "SEAT BELT RETRACTOR : Exploded View"](#).
2. Perform DTC confirmation procedure. Refer to [SRC-70. "DTC Logic"](#).

Is DTC detected?

- YES >> GO TO 4.
- NO >> INSPECTION END

4.REPLACE AIR BAG DIAGNOSIS SENSOR UNIT

1. Replace air bag diagnosis sensor unit. Refer to [SR-23. "Exploded View"](#).
2. Perform DTC confirmation procedure. Refer to [SRC-70. "DTC Logic"](#).

Is DTC detected?

- YES >> GO TO 1.
- NO >> INSPECTION END

A
B
C
D
E
F
G
I
J
K
L
M
N
O
P

SRC

B1087 PRE-TEN FRONT LH

< DTC/CIRCUIT DIAGNOSIS >

B1087 PRE-TEN FRONT LH

Description

INFOID:000000005656505

For front LH seat belt pre-tensioner, crash is judged by main "G" sensor output signal and safing algorithm in front direction.

OPERATION

In the case of a frontal collision that exceeds specified impact level, the air bag diagnosis sensor unit detects the deceleration caused by collision. It restrains the passenger with seat belt easing the stress on passengers chest with load limiter.

STRUCTURE

The restraint system for front seat occupant consists of the pre-tensioner mechanism and load limiter mechanism.

INSTALLATION

Front LH seat belt pre-tensioner is installed on the underside of center pillar with fixed nuts.

DTC Logic

INFOID:000000005656506

DTC No.	Trouble diagnosis name	DTC detecting condition	Possible cause
B1087	PRE-TEN FRONT LH [VB-SHORT]	Front LH seat belt pre-tensioner circuit is shorted to some power supply circuit	<ul style="list-style-type: none">• Disconnection of wiring harness and short• Malfunction in front LH seat belt pre-tensioner• Malfunction in air bag diagnosis sensor unit

DTC CONFIRMATION PROCEDURE

1. CHECK SELF-DIAG RESULT

With CONSULT-III

1. Turn ignition switch ON.
2. Perform "AIR BAG" Self Diagnostic Result.

Without CONSULT-III

1. Turn ignition switch ON.
2. Check the air bag warning lamp status. Refer to [SRC-14, "Air Bag Warning Lamp Diagnosis"](#).

NOTE:

SRS does not enter diagnosis mode if no malfunction is detected in user mode.

Is malfunctioning part detected?

- YES >> Refer to [SRC-72, "Diagnosis Procedure"](#).
NO >> INSPECTION END

Diagnosis Procedure

INFOID:000000005656507

WARNING:

- Before servicing, turn ignition switch OFF, disconnect battery negative terminal and wait at least 3 minutes. (To discharge backup capacitor.)
- Never use unspecified tester or other measuring device.

1. CHECK HARNESS CONNECTOR

Check the harness connector.

Is the inspection result normal?

- YES >> GO TO 2.
NO >> Replace harness connector.

2. CHECK WIRING HARNESS

Check the wiring harness externals.

Is the inspection result normal?

B1087 PRE-TEN FRONT LH

< DTC/CIRCUIT DIAGNOSIS >

YES >> GO TO 3.

NO >> Replace wiring harness.

3.REPLACE FRONT SEAT BELT PRE-TENSIONER

1. Replace front LH seat belt pre-tensioner. Refer to [SB-6. "SEAT BELT RETRACTOR : Exploded View"](#).

2. Perform DTC confirmation procedure. Refer to [SRC-72. "DTC Logic"](#).

Is DTC detected?

YES >> GO TO 4.

NO >> INSPECTION END

4.REPLACE AIR BAG DIAGNOSIS SENSOR UNIT

1. Replace air bag diagnosis sensor unit. Refer to [SR-23. "Exploded View"](#).

2. Perform DTC confirmation procedure. Refer to [SRC-72. "DTC Logic"](#).

Is DTC detected?

YES >> GO TO 1.

NO >> INSPECTION END

A
B
C
D
E
F
G
I
J
K
L
M
N
O
P

SRC

B1088 PRE-TEN FRONT LH

< DTC/CIRCUIT DIAGNOSIS >

B1088 PRE-TEN FRONT LH

Description

INFOID:000000005656508

For front LH seat belt pre-tensioner, crash is judged by main "G" sensor output signal and safing algorithm in front direction.

OPERATION

In the case of a frontal collision that exceeds specified impact level, the air bag diagnosis sensor unit detects the deceleration caused by collision. It restrains the passenger with seat belt easing the stress on passengers chest with load limiter.

STRUCTURE

The restraint system for front seat occupant consists of the pre-tensioner mechanism and load limiter mechanism.

INSTALLATION

Front LH seat belt pre-tensioner is installed on the underside of center pillar with fixed nuts.

DTC Logic

INFOID:000000005656509

DTC No.	Trouble diagnosis name	DTC detecting condition	Possible cause
B1088	PRE-TEN FRONT LH [GND-SHORT]	Front LH seat belt pre-tensioner circuit is shorted to ground	<ul style="list-style-type: none">• Disconnection of wiring harness and short• Malfunction in front LH seat belt pre-tensioner• Malfunction in air bag diagnosis sensor unit

DTC CONFIRMATION PROCEDURE

1. CHECK SELF-DIAG RESULT

With CONSULT-III

1. Turn ignition switch ON.
2. Perform "AIR BAG" Self Diagnostic Result.

Without CONSULT-III

1. Turn ignition switch ON.
2. Check the air bag warning lamp status. Refer to [SRC-14, "Air Bag Warning Lamp Diagnosis"](#).

NOTE:

SRS does not enter diagnosis mode if no malfunction is detected in user mode.

Is malfunctioning part detected?

- YES >> Refer to [SRC-74, "Diagnosis Procedure"](#).
NO >> INSPECTION END

Diagnosis Procedure

INFOID:000000005656510

WARNING:

- Before servicing, turn ignition switch OFF, disconnect battery negative terminal and wait at least 3 minutes. (To discharge backup capacitor.)
- Never use unspecified tester or other measuring device.

1. CHECK HARNESS CONNECTOR

Check the harness connector.

Is the inspection result normal?

- YES >> GO TO 2.
NO >> Replace harness connector.

2. CHECK WIRING HARNESS

Check the wiring harness externals.

Is the inspection result normal?

B1088 PRE-TEN FRONT LH

< DTC/CIRCUIT DIAGNOSIS >

- YES >> GO TO 3.
NO >> Replace wiring harness.

3.REPLACE FRONT SEAT BELT PRE-TENSIONER

1. Replace front LH seat belt pre-tensioner. Refer to [SB-6. "SEAT BELT RETRACTOR : Exploded View"](#).
2. Perform DTC confirmation procedure. Refer to [SRC-74. "DTC Logic"](#).

Is DTC detected?

- YES >> GO TO 4.
NO >> INSPECTION END

4.REPLACE AIR BAG DIAGNOSIS SENSOR UNIT

1. Replace air bag diagnosis sensor unit. Refer to [SR-23. "Exploded View"](#).
2. Perform DTC confirmation procedure. Refer to [SRC-74. "DTC Logic"](#).

Is DTC detected?

- YES >> GO TO 1.
NO >> INSPECTION END

A
B
C
D
E
F
G
I
J
K
L
M
N
O
P

SRC

B1089 PRE-TEN FRONT LH

< DTC/CIRCUIT DIAGNOSIS >

B1089 PRE-TEN FRONT LH

Description

INFOID:000000005656511

For front LH seat belt pre-tensioner, crash is judged by main "G" sensor output signal and safing algorithm in front direction.

OPERATION

In the case of a frontal collision that exceeds specified impact level, the air bag diagnosis sensor unit detects the deceleration caused by collision. It restrains the passenger with seat belt easing the stress on passengers chest with load limiter.

STRUCTURE

The restraint system for front seat occupant consists of the pre-tensioner mechanism and load limiter mechanism.

INSTALLATION

Front LH seat belt pre-tensioner is installed on the underside of center pillar with fixed nuts.

DTC Logic

INFOID:000000005656512

DTC No.	Trouble diagnosis name	DTC detecting condition	Possible cause
B1089	PRE-TEN FRONT LH [SHORT]	Front LH seat belt pre-tensioner circuit are shorted to each other	<ul style="list-style-type: none">• Disconnection of wiring harness and short• Malfunction in front LH seat belt pre-tensioner• Malfunction in air bag diagnosis sensor unit

DTC CONFIRMATION PROCEDURE

1. CHECK SELF-DIAG RESULT

With CONSULT-III

1. Turn ignition switch ON.
2. Perform "AIR BAG" Self Diagnostic Result.

Without CONSULT-III

1. Turn ignition switch ON.
2. Check the air bag warning lamp status. Refer to [SRC-14, "Air Bag Warning Lamp Diagnosis"](#).

NOTE:

SRS does not enter diagnosis mode if no malfunction is detected in user mode.

Is malfunctioning part detected?

- YES >> Refer to [SRC-76, "Diagnosis Procedure"](#).
NO >> INSPECTION END

Diagnosis Procedure

INFOID:000000005656513

WARNING:

- Before servicing, turn ignition switch OFF, disconnect battery negative terminal and wait at least 3 minutes. (To discharge backup capacitor.)
- Never use unspecified tester or other measuring device.

1. CHECK HARNESS CONNECTOR

Check the harness connector.

Is the inspection result normal?

- YES >> GO TO 2.
NO >> Replace harness connector.

2. CHECK WIRING HARNESS

Check the wiring harness externals.

Is the inspection result normal?

B1089 PRE-TEN FRONT LH

< DTC/CIRCUIT DIAGNOSIS >

YES >> GO TO 3.

NO >> Replace wiring harness.

3.REPLACE FRONT SEAT BELT PRE-TENSIONER

1. Replace front LH seat belt pre-tensioner. Refer to [SB-6. "SEAT BELT RETRACTOR : Exploded View"](#).

2. Perform DTC confirmation procedure. Refer to [SRC-76. "DTC Logic"](#).

Is DTC detected?

YES >> GO TO 4.

NO >> INSPECTION END

4.REPLACE AIR BAG DIAGNOSIS SENSOR UNIT

1. Replace air bag diagnosis sensor unit. Refer to [SR-23. "Exploded View"](#).

2. Perform DTC confirmation procedure. Refer to [SRC-76. "DTC Logic"](#).

Is DTC detected?

YES >> GO TO 1.

NO >> INSPECTION END

A
B
C
D
E
F
G
I
J
K
L
M
N
O
P

SRC

B1106, B1107, B1108, B1109, B1110, B1111 DIAGNOSIS SENSOR UNIT

< DTC/CIRCUIT DIAGNOSIS >

B1106, B1107, B1108, B1109, B1110, B1111 DIAGNOSIS SENSOR UNIT

Description

INFOID:000000005656514

Checks the entire SRS and displays the malfunction either by illuminating or blinking the air bag warning lamp on the combination meter. Malfunctioning part can be detected by on board self-diagnosis system and CONSULT-III.

OPERATION

It detects a shock that exceeds a specified level and monitors whether the driver and passenger air bags, front side air bag, side curtain air bag and pre-tensioner seat belts operate normally.

STRUCTURE

It contains the "G" sensors for both frontal and side collisions and spare battery function in case of main battery damage in collision.

INSTALLATION

Air bag diagnosis sensor unit is installed under the center console with fixed bolts.

DTC Logic

INFOID:000000005656515

DTC No.	Trouble diagnosis name	DTC detecting condition	Possible cause
B1106 B1107 B1108 B1109 B1110 B1111	CONTROL UNIT	Air bag diagnosis sensor unit is malfunctioning or out of the specification	<ul style="list-style-type: none">Malfunction in air bag diagnosis sensor unitConfiguration in air bag diagnosis sensor unit does not match the vehicle specification

DTC CONFIRMATION PROCEDURE

1. CHECK SELF-DIAG RESULT

With CONSULT-III

- Turn ignition switch ON.
- Perform "AIR BAG" Self Diagnostic Result.

Without CONSULT-III

- Turn ignition switch ON.
- Check the air bag warning lamp status. Refer to [SRC-14, "Air Bag Warning Lamp Diagnosis"](#).

NOTE:

SRS does not enter diagnosis mode if no malfunction is detected in user mode.

Is malfunctioning part detected?

YES >> Refer to [SRC-78, "Diagnosis Procedure"](#).

NO >> INSPECTION END

Diagnosis Procedure

INFOID:000000005656516

WARNING:

- Before servicing, turn ignition switch OFF, disconnect battery negative terminal and wait at least 3 minutes. (To discharge backup capacitor.)
- Never use unspecified tester or other measuring device.

1. CHECK HARNESS CONNECTOR

Check the harness connector.

Is the inspection result normal?

YES >> GO TO 2.

NO >> Replace harness connectors.

2. CHECK WIRING HARNESS

Check the wiring harness externals.

Is the inspection result normal?

B1106, B1107, B1108, B1109, B1110, B1111 DIAGNOSIS SENSOR UNIT

< DTC/CIRCUIT DIAGNOSIS >

YES >> GO TO 3.

NO >> Replace wiring harness.

3. REPLACE AIR BAG DIAGNOSIS SENSOR UNIT

1. Replace air bag diagnosis sensor unit. Refer to [SR-23. "Exploded View"](#).

2. Perform DTC confirmation procedure. Refer to [SRC-78. "DTC Logic"](#).

Is DTC detected?

YES >> GO TO 1.

NO >> INSPECTION END

A

B

C

D

E

F

G

SRC

I

J

K

L

M

N

O

P

B1113, B1114 SATELLITE SENS RH

< DTC/CIRCUIT DIAGNOSIS >

B1113, B1114 SATELLITE SENS RH

Description

INFOID:000000005656517

Main "G" sensor generates signal voltage, when it detects deceleration beyond the specified level by vehicle side collision.

OPERATION

When air bag diagnosis sensor unit defines both signal voltage of the "G" sensor and the safing algorithm to be that of collision which exceeds a specified level, the driving circuit switches on and feeds the electric ignitor of both the front side air bag and side curtain air bag.

STRUCTURE

Integrated type of the "G" sensor element for side collision with output terminals for signal voltage.

INSTALLATION

RH satellite sensor is installed at the underside of center pillar with fixed nuts.

DTC Logic

INFOID:000000005656518

DTC No.	Trouble diagnosis name	DTC detecting condition	Possible cause
B1113 B1114	SATELLITE SENS RH [UNIT FAIL]	RH satellite sensor is malfunctioning	<ul style="list-style-type: none">• Disconnection of wiring harness• Malfunction in RH satellite sensor• Malfunction in air bag diagnosis sensor unit

DTC CONFIRMATION PROCEDURE

1.CHECK SELF-DIAG RESULT

With CONSULT-III

1. Turn ignition switch ON.
2. Perform "AIR BAG" Self Diagnostic Result.

Without CONSULT-III

1. Turn ignition switch ON.
2. Check the air bag warning lamp status. Refer to [SRC-14. "Air Bag Warning Lamp Diagnosis"](#).

NOTE:

SRS does not enter diagnosis mode if no malfunction is detected in user mode.

Is malfunctioning part detected?

- YES >> Refer to [SRC-80. "Diagnosis Procedure"](#).
NO >> INSPECTION END

Diagnosis Procedure

INFOID:000000005656519

WARNING:

- Before servicing, turn ignition switch OFF, disconnect battery negative terminal and wait at least 3 minutes. (To discharge backup capacitor.)
- Never use unspecified tester or other measuring device.

1.CHECK HARNESS CONNECTOR

Check the harness connector.

Is the inspection result normal?

- YES >> GO TO 2.
NO >> Replace harness connector.

2.CHECK WIRING HARNESS

Check the wiring harness externals.

Is the inspection result normal?

- YES >> GO TO 3.
NO >> Replace wiring harness.

B1113, B1114 SATELLITE SENS RH

< DTC/CIRCUIT DIAGNOSIS >

3. REPLACE SATELLITE SENSOR

1. Replace RH satellite sensor. Refer to [SR-22, "Exploded View"](#).
2. Perform DTC confirmation procedure. Refer to [SRC-80, "DTC Logic"](#).

Is DTC detected?

- YES >> GO TO 4.
NO >> INSPECTION END

4. REPLACE AIR BAG DIAGNOSIS SENSOR UNIT

1. Replace air bag diagnosis sensor unit. Refer to [SR-23, "Exploded View"](#).
2. Perform DTC confirmation procedure. Refer to [SRC-80, "DTC Logic"](#).

Is DTC detected?

- YES >> GO TO 1.
NO >> INSPECTION END

A
B
C
D
E
F
G
I
J
K
L
M
N
O
P

SRC

B1115, B1116 SATELLITE SENS RH

< DTC/CIRCUIT DIAGNOSIS >

B1115, B1116 SATELLITE SENS RH

Description

INFOID:000000005656520

Main "G" sensor generates signal voltage, when it detects deceleration beyond the specified level by vehicle side collision.

OPERATION

When air bag diagnosis sensor unit defines both signal voltage of the "G" sensor and the safing algorithm to be that of collision which exceeds a specified level, the driving circuit switches on and feeds the electric ignitor of both the front side air bag and side curtain air bag.

STRUCTURE

Integrated type of the "G" sensor element for side collision with output terminals for signal voltage.

INSTALLATION

RH satellite sensor is installed at the underside of center pillar with fixed nuts.

DTC Logic

INFOID:000000005656521

DTC No.	Trouble diagnosis name	DTC detecting condition	Possible cause
B1115 B1116	SATELLITE SENS RH [COMM FAIL] [UNMATCH]	RH satellite sensor is malfunctioning or out of the specified specification	<ul style="list-style-type: none">• Disconnection of wiring harness• Malfunction in RH satellite sensor• Malfunction in air bag diagnosis sensor unit

DTC CONFIRMATION PROCEDURE

1. CHECK SELF-DIAG RESULT

With CONSULT-III

1. Turn ignition switch ON.
2. Perform "AIR BAG" Self Diagnostic Result.

Without CONSULT-III

1. Turn ignition switch ON.
2. Check the air bag warning lamp status. Refer to [SRC-14. "Air Bag Warning Lamp Diagnosis"](#).

NOTE:

SRS does not enter diagnosis mode if no malfunction is detected in user mode.

Is malfunctioning part detected?

- YES >> Refer to [SRC-82. "Diagnosis Procedure"](#).
NO >> INSPECTION END

Diagnosis Procedure

INFOID:000000005656522

WARNING:

- Before servicing, turn ignition switch OFF, disconnect battery negative terminal and wait at least 3 minutes. (To discharge backup capacitor.)
- Never use unspecified tester or other measuring device.

1. CHECK HARNESS CONNECTOR

Check the harness connector.

Is the inspection result normal?

- YES >> GO TO 2.
NO >> Replace harness connector.

2. CHECK WIRING HARNESS

Check the wiring harness externals.

Is the inspection result normal?

- YES >> GO TO 3.
NO >> Replace wiring harness.

B1115, B1116 SATELLITE SENS RH

< DTC/CIRCUIT DIAGNOSIS >

3. REPLACE SATELLITE SENSOR

1. Replace RH satellite sensor. Refer to [SR-22, "Exploded View"](#).
2. Perform DTC confirmation procedure. Refer to [SRC-82, "DTC Logic"](#).

Is DTC detected?

- YES >> GO TO 4.
NO >> INSPECTION END

4. REPLACE AIR BAG DIAGNOSIS SENSOR UNIT

1. Replace air bag diagnosis sensor unit. Refer to [SR-23, "Exploded View"](#).
2. Perform DTC confirmation procedure. Refer to [SRC-82, "DTC Logic"](#).

Is DTC detected?

- YES >> GO TO 1.
NO >> INSPECTION END

A
B
C
D
E
F
G
I
J
K
L
M
N
O
P

SRC

B1118, B1119 SATELLITE SENS LH

< DTC/CIRCUIT DIAGNOSIS >

B1118, B1119 SATELLITE SENS LH

Description

INFOID:000000005656523

Main "G" sensor generates signal voltage, when it detects deceleration beyond the specified level by vehicle side collision.

OPERATION

When air bag diagnosis sensor unit defines both signal voltage of the "G" sensor and the safing algorithm to be that of collision which exceeds a specified level, the driving circuit switches on and feeds the electric ignitor of both the front side air bag and side curtain air bag.

STRUCTURE

Integrated type of the "G" sensor element for side collision with output terminals for signal voltage.

INSTALLATION

LH satellite sensor is installed at the underside of center pillar with fixed nuts.

DTC Logic

INFOID:000000005656524

DTC No.	Trouble diagnosis name	DTC detecting condition	Possible cause
B1118 B1119	SATELLITE SENS LH [UNIT FAIL]	LH satellite sensor is malfunctioning	<ul style="list-style-type: none">• Disconnection of wiring harness• Malfunction in LH satellite sensor• Malfunction in air bag diagnosis sensor unit

DTC CONFIRMATION PROCEDURE

1. CHECK SELF-DIAG RESULT

With CONSULT-III

1. Turn ignition switch ON.
2. Perform "AIR BAG" Self Diagnostic Result.

Without CONSULT-III

1. Turn ignition switch ON.
2. Check the air bag warning lamp status. Refer to [SRC-14. "Air Bag Warning Lamp Diagnosis"](#).

NOTE:

SRS does not enter diagnosis mode if no malfunction is detected in user mode.

Is malfunctioning part detected?

- YES >> Refer to [SRC-84. "Diagnosis Procedure"](#).
NO >> INSPECTION END

Diagnosis Procedure

INFOID:000000005656525

WARNING:

- Before servicing, turn ignition switch OFF, disconnect battery negative terminal and wait at least 3 minutes. (To discharge backup capacitor.)
- Never use unspecified tester or other measuring device.

1. CHECK HARNESS CONNECTOR

Check the harness connector.

Is the inspection result normal?

- YES >> GO TO 2.
NO >> Replace harness connector.

2. CHECK WIRING HARNESS

Check the wiring harness externals.

Is the inspection result normal?

- YES >> GO TO 3.
NO >> Replace wiring harness.

B1118, B1119 SATELLITE SENS LH

< DTC/CIRCUIT DIAGNOSIS >

3. REPLACE SATELLITE SENSOR

1. Replace LH satellite sensor. Refer to [SR-22, "Exploded View"](#).
2. Perform DTC confirmation procedure. Refer to [SRC-84, "DTC Logic"](#)

Is DTC detected?

- YES >> GO TO 4.
NO >> INSPECTION END

4. REPLACE AIR BAG DIAGNOSIS SENSOR UNIT

1. Replace air bag diagnosis sensor unit. Refer to [SR-23, "Exploded View"](#).
2. Perform DTC confirmation procedure. Refer to [SRC-84, "DTC Logic"](#).

Is DTC detected?

- YES >> GO TO 1.
NO >> INSPECTION END

A
B
C
D
E
F
G
I
J
K
L
M
N
O
P

SRC

B1120, B1121 SATELLITE SENS LH

< DTC/CIRCUIT DIAGNOSIS >

B1120, B1121 SATELLITE SENS LH

Description

INFOID:00000000565626

Main "G" sensor generates signal voltage, when it detects deceleration beyond the specified level by vehicle side collision.

OPERATION

When air bag diagnosis sensor unit defines both signal voltage of the "G" sensor and the safing algorithm to be that of collision which exceeds a specified level, the driving circuit switches on and feeds the electric ignitor of both the front side air bag and side curtain air bag.

STRUCTURE

Integrated type of the "G" sensor element for side collision with output terminals for signal voltage.

INSTALLATION

LH satellite sensor is installed at the underside of center pillar with fixed nuts.

DTC Logic

INFOID:00000000565627

DTC No.	Trouble diagnosis name	DTC detecting condition	Possible cause
B1120 B1121	SATELLITE SENS LH [COMM FAIL] [UNMATCH]	LH satellite sensor is malfunctioning or out of the specified specification	<ul style="list-style-type: none">• Disconnection of wiring harness• Malfunction in LH satellite sensor• Malfunction in air bag diagnosis sensor unit

DTC CONFIRMATION PROCEDURE

1. CHECK SELF-DIAG RESULT

With CONSULT-III

1. Turn ignition switch ON.
2. Perform "AIR BAG" Self Diagnostic Result.

Without CONSULT-III

1. Turn ignition switch ON.
2. Check the air bag warning lamp status. Refer to [SRC-14. "Air Bag Warning Lamp Diagnosis"](#).

NOTE:

SRS does not enter diagnosis mode if no malfunction is detected in user mode.

Is malfunctioning part detected?

- YES >> Refer to [SRC-86. "Diagnosis Procedure"](#).
NO >> INSPECTION END

Diagnosis Procedure

INFOID:00000000565628

WARNING:

- Before servicing, turn ignition switch OFF, disconnect battery negative terminal and wait at least 3 minutes. (To discharge backup capacitor.)
- Never use unspecified tester or other measuring device.

1. CHECK HARNESS CONNECTOR

Check the harness connector.

Is the inspection result normal?

- YES >> GO TO 2.
NO >> Replace harness connector.

2. CHECK WIRING HARNESS

Check the wiring harness externals.

Is the inspection result normal?

- YES >> GO TO 3.
NO >> Replace wiring harness.

B1120, B1121 SATELLITE SENS LH

< DTC/CIRCUIT DIAGNOSIS >

3. REPLACE SATELLITE SENSOR

1. Replace LH satellite sensor. Refer to [SR-22, "Exploded View"](#).
2. Perform DTC confirmation procedure. Refer to [SRC-86, "DTC Logic"](#).

Is DTC detected?

- YES >> GO TO 4.
NO >> INSPECTION END

4. REPLACE AIR BAG DIAGNOSIS SENSOR UNIT

1. Replace air bag diagnosis sensor unit. Refer to [SR-23, "Exploded View"](#).
2. Perform DTC confirmation procedure. Refer to [SRC-86, "DTC Logic"](#).

Is DTC detected?

- YES >> GO TO 1.
NO >> INSPECTION END

A
B
C
D
E
F
G
I
J
K
L
M
N
O
P

SRC

B1122, B1123, B1124, B1125, B1126, B1127 DIAGNOSIS SENSOR UNIT

< DTC/CIRCUIT DIAGNOSIS >

B1122, B1123, B1124, B1125, B1126, B1127 DIAGNOSIS SENSOR UNIT

Description

INFOID:000000005656529

Checks the entire SRS and displays the malfunction either by illuminating or blinking the air bag warning lamp on the combination meter. Malfunctioning part can be detected by on board self-diagnosis system and CONSULT-III.

OPERATION

It detects a shock that exceeds a specified level and monitors whether the driver and passenger air bags, front side air bag, side curtain air bag and pre-tensioner seat belts operate normally.

STRUCTURE

It contains the "G" sensors for both frontal and side collisions and spare battery function in case of main battery damage in collision.

INSTALLATION

Air bag diagnosis sensor unit is installed under the center console with fixed bolts.

DTC Logic

INFOID:000000005656530

DTC No.	Trouble diagnosis name	DTC detecting condition	Possible cause
B1122 B1123 B1124 B1125 B1126 B1127	CONTROL UNIT	Air bag diagnosis sensor unit is malfunctioning or out of the specification	<ul style="list-style-type: none">Malfunction in air bag diagnosis sensor unitConfiguration in air bag diagnosis sensor unit does not match the vehicle specification

DTC CONFIRMATION PROCEDURE

1. CHECK SELF-DIAG RESULT

With CONSULT-III

- Turn ignition switch ON.
- Perform "AIR BAG" Self Diagnostic Result.

Without CONSULT-III

- Turn ignition switch ON.
- Check the air bag warning lamp status. Refer to [SRC-14, "Air Bag Warning Lamp Diagnosis"](#).

NOTE:

SRS does not enter diagnosis mode if no malfunction is detected in user mode.

Is malfunctioning part detected?

YES >> Refer to [SRC-88, "Diagnosis Procedure"](#).

NO >> INSPECTION END

Diagnosis Procedure

INFOID:000000005656531

WARNING:

- Before servicing, turn ignition switch OFF, disconnect battery negative terminal and wait at least 3 minutes. (To discharge backup capacitor.)
- Never use unspecified tester or other measuring device.

1. CHECK HARNESS CONNECTOR

Check the harness connector.

Is the inspection result normal?

YES >> GO TO 2.

NO >> Replace harness connectors.

2. CHECK WIRING HARNESS

Check the wiring harness externals.

Is the inspection result normal?

B1122, B1123, B1124, B1125, B1126, B1127 DIAGNOSIS SENSOR UNIT

< DTC/CIRCUIT DIAGNOSIS >

YES >> GO TO 3.

NO >> Replace wiring harness.

3. REPLACE AIR BAG DIAGNOSIS SENSOR UNIT

1. Replace air bag diagnosis sensor unit. Refer to [SR-23. "Exploded View"](#).

2. Perform DTC confirmation procedure. Refer to [SRC-88. "DTC Logic"](#).

Is DTC detected?

YES >> GO TO 1.

NO >> INSPECTION END

A

B

C

D

E

F

G

SRC

I

J

K

L

M

N

O

P

B1129 SIDE MODULE RH

< DTC/CIRCUIT DIAGNOSIS >

B1129 SIDE MODULE RH

Description

INFOID:000000005656532

For front RH side air bag module, crash is judged by main "G" sensor output signal (left side: LH satellite sensor, right side: RH satellite sensor) and safing algorithm (in air bag diagnosis sensor unit).

OPERATION

In case of frontal collision whose acceleration exceeds the specified level, the ignition materials are ignited by electric ignition system. The system burns the gas generating materials resulting in a chemical reaction. This generates hot gases that flow into the air bag through a filter and expand the bag.

STRUCTURE

Front RH side air bag module mainly consists of air bag and inflator that inflates air bag.

INSTALLATION

Front RH side air bag module is installed on the side of front seat back with fixed nuts.

DTC Logic

INFOID:000000005656533

DTC No.	Trouble diagnosis name	DTC detecting condition	Possible cause
B1129	SIDE MODULE RH [OPEN]	Front RH side air bag module circuit is open	<ul style="list-style-type: none">• Disconnection of wiring harness and open• Malfunction in front RH side air bag module• Malfunction in air bag diagnosis sensor unit

DTC CONFIRMATION PROCEDURE

1. CHECK SELF-DIAG RESULT

④ With CONSULT-III

1. Turn ignition switch ON.
2. Perform "AIR BAG" Self Diagnostic Result.

⊗ Without CONSULT-III

1. Turn ignition switch ON.
2. Check the air bag warning lamp status. [SRC-14, "Air Bag Warning Lamp Diagnosis"](#)

NOTE:

SRS does not enter diagnosis mode if no malfunction is detected in user mode.

Is malfunctioning part detected?

- YES >> Refer to [SRC-90, "Diagnosis Procedure"](#).
NO >> INSPECTION END

Diagnosis Procedure

INFOID:000000005656534

WARNING:

- Before servicing, turn ignition switch OFF, disconnect battery negative terminal and wait at least 3 minutes. (To discharge backup capacitor.)
- Never use unspecified tester or other measuring device.

1. CHECK HARNESS CONNECTOR

Check the harness connector.

Is the inspection result normal?

- YES >> GO TO 2.
NO >> Replace harness connector.

2. CHECK WIRING HARNESS

Check the wiring harness externals.

Is the inspection result normal?

- YES >> GO TO 3.

B1129 SIDE MODULE RH

< DTC/CIRCUIT DIAGNOSIS >

NO >> Replace wiring harness.

3.REPLACE AIR BAG DIAGNOSIS SENSOR UNIT

1. Replace air bag diagnosis sensor unit. Refer to [SR-23, "Exploded View"](#).
2. Perform DTC confirmation procedure. Refer to [SRC-90, "DTC Logic"](#).

Is DTC detected?

YES >> GO TO 4.

NO >> INSPECTION END

4.REPLACE FRONT SIDE AIR BAG MODULE

1. Replace front RH side air bag module. Refer to [SE-188, "Exploded View"](#).
2. Perform DTC confirmation procedure. Refer to [SRC-90, "DTC Logic"](#).

Is DTC detected?

YES >> GO TO 1.

NO >> INSPECTION END

A
B
C
D
E
F
G
I
J
K
L
M
N
O
P

SRC

B1130 SIDE MODULE RH

< DTC/CIRCUIT DIAGNOSIS >

B1130 SIDE MODULE RH

Description

INFOID:000000005656535

For front RH side air bag module, crash is judged by main "G" sensor output signal (left side: LH satellite sensor, right side: RH satellite sensor) and safing algorithm (in air bag diagnosis sensor unit).

OPERATION

In case of frontal collision whose acceleration exceeds the specified level, the ignition materials are ignited by electric ignition system. The system burns the gas generating materials resulting in a chemical reaction. This generates hot gases that flow into the air bag through a filter and expand the bag.

STRUCTURE

Front RH side air bag module mainly consists of air bag and inflator that inflates air bag.

INSTALLATION

Front RH side air bag module is installed on the side of front seat back with fixed nuts.

DTC Logic

INFOID:000000005656536

DTC No.	Trouble diagnosis name	DTC detecting condition	Possible cause
B1130	SIDE MODULE RH [VB-SHORT]	Front RH side air bag module circuit is shorted to some power supply circuit	<ul style="list-style-type: none">• Disconnection of wiring harness and short• Malfunction in front RH side air bag module• Malfunction in air bag diagnosis sensor unit

DTC CONFIRMATION PROCEDURE

1. CHECK SELF-DIAG RESULT

Ⓟ With CONSULT-III

1. Turn ignition switch ON.
2. Perform "AIR BAG" Self Diagnostic Result.

ⓧ Without CONSULT-III

1. Turn ignition switch ON.
2. Check the air bag warning lamp status. Refer to [SRC-14, "Air Bag Warning Lamp Diagnosis"](#).

NOTE:

SRS does not enter diagnosis mode if no malfunction is detected in user mode.

Is malfunctioning part detected?

- YES >> Refer to [SRC-92, "Diagnosis Procedure"](#).
NO >> INSPECTION END

Diagnosis Procedure

INFOID:000000005656537

WARNING:

- Before servicing, turn ignition switch OFF, disconnect battery negative terminal and wait at least 3 minutes. (To discharge backup capacitor.)
- Never use unspecified tester or other measuring device.

1. CHECK HARNESS CONNECTOR

Check the harness connector.

Is the inspection result normal?

- YES >> GO TO 2.
NO >> Replace harness connector.

2. CHECK WIRING HARNESS

Check the wiring harness externals.

Is the inspection result normal?

- YES >> GO TO 3.

B1130 SIDE MODULE RH

< DTC/CIRCUIT DIAGNOSIS >

NO >> Replace wiring harness.

3.REPLACE AIR BAG DIAGNOSIS SENSOR UNIT

1. Replace air bag diagnosis sensor unit. Refer to [SR-23, "Exploded View"](#).
2. Perform DTC confirmation procedure. Refer to [SRC-92, "DTC Logic"](#).

Is DTC detected?

YES >> GO TO 4.

NO >> INSPECTION END

4.REPLACE FRONT SIDE AIR BAG MODULE

1. Replace front RH side air bag module. Refer to [SE-188, "Exploded View"](#).
2. Perform DTC confirmation procedure. Refer to [SRC-92, "DTC Logic"](#).

Is DTC detected?

YES >> GO TO 1.

NO >> INSPECTION END

A
B
C
D
E
F
G
I
J
K
L
M
N
O
P

SRC

B1131 SIDE MODULE RH

< DTC/CIRCUIT DIAGNOSIS >

B1131 SIDE MODULE RH

Description

INFOID:000000005656538

For front RH side air bag module, crash is judged by main "G" sensor output signal (left side: LH satellite sensor, right side: RH satellite sensor) and safing algorithm (in air bag diagnosis sensor unit).

OPERATION

In case of frontal collision whose acceleration exceeds the specified level, the ignition materials are ignited by electric ignition system. The system burns the gas generating materials resulting in a chemical reaction. This generates hot gases that flow into the air bag through a filter and expand the bag.

STRUCTURE

Front RH side air bag module mainly consists of air bag and inflator that inflates air bag.

INSTALLATION

Front RH side air bag module is installed on the side of front seat back with fixed nuts.

DTC Logic

INFOID:000000005656539

DTC No.	Trouble diagnosis name	DTC detecting condition	Possible cause
B1131	SIDE MODULE RH [GND-SHORT]	Front RH side air bag module circuit is shorted to ground	<ul style="list-style-type: none">• Disconnection of wiring harness and short• Malfunction in front RH side air bag module• Malfunction in air bag diagnosis sensor unit

DTC CONFIRMATION PROCEDURE

1. CHECK SELF-DIAG RESULT

Ⓟ With CONSULT-III

1. Turn ignition switch ON.
2. Perform "AIR BAG" Self Diagnostic Result.

ⓧ Without CONSULT-III

1. Turn ignition switch ON.
2. Check the air bag warning lamp status. Refer to [SRC-14, "Air Bag Warning Lamp Diagnosis"](#).

NOTE:

SRS does not enter diagnosis mode if no malfunction is detected in user mode.

Is malfunctioning part detected?

- YES >> Refer to [SRC-94, "Diagnosis Procedure"](#).
NO >> INSPECTION END

Diagnosis Procedure

INFOID:000000005656540

WARNING:

- Before servicing, turn ignition switch OFF, disconnect battery negative terminal and wait at least 3 minutes. (To discharge backup capacitor.)
- Never use unspecified tester or other measuring device.

1. CHECK HARNESS CONNECTOR

Check the harness connector.

Is the inspection result normal?

- YES >> GO TO 2.
NO >> Replace harness connector.

2. CHECK WIRING HARNESS

Check the wiring harness externals.

Is the inspection result normal?

- YES >> GO TO 3.

B1131 SIDE MODULE RH

< DTC/CIRCUIT DIAGNOSIS >

NO >> Replace wiring harness.

3.REPLACE AIR BAG DIAGNOSIS SENSOR UNIT

1. Replace air bag diagnosis sensor unit. Refer to [SR-23, "Exploded View"](#).
2. Perform DTC confirmation procedure. Refer to [SRC-94, "DTC Logic"](#).

Is DTC detected?

YES >> GO TO 4.

NO >> INSPECTION END

4.REPLACE FRONT SIDE AIR BAG MODULE

1. Replace front RH side air bag module. Refer to [SE-188, "Exploded View"](#).
2. Perform DTC confirmation procedure. Refer to [SRC-94, "DTC Logic"](#).

Is DTC detected?

YES >> GO TO 1.

NO >> INSPECTION END

A
B
C
D
E
F
G
I
J
K
L
M
N
O
P

SRC

B1132 SIDE MODULE RH

< DTC/CIRCUIT DIAGNOSIS >

B1132 SIDE MODULE RH

Description

INFOID:000000005656541

For front RH side air bag module, crash is judged by main "G" sensor output signal (left side: LH satellite sensor, right side: RH satellite sensor) and safing algorithm (in air bag diagnosis sensor unit).

OPERATION

In case of frontal collision whose acceleration exceeds the specified level, the ignition materials are ignited by electric ignition system. The system burns the gas generating materials resulting in a chemical reaction. This generates hot gases that flow into the air bag through a filter and expand the bag.

STRUCTURE

Front RH side air bag module mainly consists of air bag and inflator that inflates air bag.

INSTALLATION

Front RH side air bag module is installed on the side of front seat back with fixed nuts.

DTC Logic

INFOID:000000005656542

DTC No.	Trouble diagnosis name	DTC detecting condition	Possible cause
B1132	SIDE MODULE RH [SHORT]	Front RH side air bag module circuit are shorted to each other	<ul style="list-style-type: none">• Disconnection of wiring harness and short• Malfunction in front RH side air bag module• Malfunction in air bag diagnosis sensor unit

DTC CONFIRMATION PROCEDURE

1. CHECK SELF-DIAG RESULT

Ⓟ With CONSULT-III

1. Turn ignition switch ON.
2. Perform "AIR BAG" Self Diagnostic Result.

ⓧ Without CONSULT-III

1. Turn ignition switch ON.
2. Check the air bag warning lamp status. Refer to [SRC-14, "Air Bag Warning Lamp Diagnosis"](#).

NOTE:

SRS does not enter diagnosis mode if no malfunction is detected in user mode.

Is malfunctioning part detected?

- YES >> Refer to [SRC-96, "Diagnosis Procedure"](#).
NO >> INSPECTION END

Diagnosis Procedure

INFOID:000000005656543

WARNING:

- Before servicing, turn ignition switch OFF, disconnect battery negative terminal and wait at least 3 minutes. (To discharge backup capacitor.)
- Never use unspecified tester or other measuring device.

1. CHECK HARNESS CONNECTOR

Check the harness connector.

Is the inspection result normal?

- YES >> GO TO 2.
NO >> Replace harness connector.

2. CHECK WIRING HARNESS

Check the wiring harness externals.

Is the inspection result normal?

- YES >> GO TO 3.

B1132 SIDE MODULE RH

< DTC/CIRCUIT DIAGNOSIS >

NO >> Replace wiring harness.

3.REPLACE AIR BAG DIAGNOSIS SENSOR UNIT

1. Replace air bag diagnosis sensor unit. Refer to [SR-23, "Exploded View"](#).
2. Perform DTC confirmation procedure. Refer to [SRC-96, "DTC Logic"](#).

Is DTC detected?

YES >> GO TO 4.

NO >> INSPECTION END

4.REPLACE FRONT SIDE AIR BAG MODULE

1. Replace front RH side air bag module. Refer to [SE-188, "Exploded View"](#).
2. Perform DTC confirmation procedure. Refer to [SRC-96, "DTC Logic"](#).

Is DTC detected?

YES >> GO TO 1.

NO >> INSPECTION END

A
B
C
D
E
F
G
I
J
K
L
M
N
O
P

SRC

B1134 SIDE MODULE LH

< DTC/CIRCUIT DIAGNOSIS >

B1134 SIDE MODULE LH

Description

INFOID:000000005656544

For front LH side air bag module, crash is judged by main "G" sensor output signal (left side: LH satellite sensor, right side: RH satellite sensor) and safing algorithm (in air bag diagnosis sensor unit).

OPERATION

In case of frontal collision whose acceleration exceeds the specified level, the ignition materials are ignited by electric ignition system. The system burns the gas generating materials resulting in a chemical reaction. This generates hot gases that flow into the air bag through a filter and expand the bag.

STRUCTURE

Front LH side air bag module mainly consists of air bag and inflator that inflates air bag.

INSTALLATION

Front LH side air bag module is installed on the side of front seat back with fixed nuts.

DTC Logic

INFOID:000000005656545

DTC No.	Trouble diagnosis name	DTC detecting condition	Possible cause
B1134	SIDE MODULE LH [OPEN]	Front LH side air bag module circuit is open	<ul style="list-style-type: none">• Disconnection of wiring harness and open• Malfunction in front LH side air bag module• Malfunction in air bag diagnosis sensor unit

DTC CONFIRMATION PROCEDURE

1.CHECK SELF-DIAG RESULT

Ⓟ With CONSULT-III

1. Turn ignition switch ON.
2. Perform "AIR BAG" Self Diagnostic Result.

ⓧ Without CONSULT-III

1. Turn ignition switch ON.
2. Check the air bag warning lamp status. Refer to [SRC-14, "Air Bag Warning Lamp Diagnosis"](#).

NOTE:

SRS does not enter diagnosis mode if no malfunction is detected in user mode.

Is malfunctioning part detected?

- YES >> Refer to [SRC-98, "Diagnosis Procedure"](#).
NO >> INSPECTION END

Diagnosis Procedure

INFOID:000000005656546

WARNING:

- Before servicing, turn ignition switch OFF, disconnect battery negative terminal and wait at least 3 minutes. (To discharge backup capacitor.)
- Never use unspecified tester or other measuring device.

1.CHECK HARNESS CONNECTOR

Check the harness connector.

Is the inspection result normal?

- YES >> GO TO 2.
NO >> Replace harness connector.

2.CHECK WIRING HARNESS

Check the wiring harness externals.

Is the inspection result normal?

- YES >> GO TO 3.

B1134 SIDE MODULE LH

< DTC/CIRCUIT DIAGNOSIS >

NO >> Replace wiring harness.

3.REPLACE AIR BAG DIAGNOSIS SENSOR UNIT

1. Replace air bag diagnosis sensor unit. Refer to [SR-23, "Exploded View"](#).
2. Perform DTC confirmation procedure. Refer to [SRC-98, "DTC Logic"](#).

Is DTC detected?

YES >> GO TO 4.

NO >> INSPECTION END

4.REPLACE FRONT SIDE AIR BAG MODULE

1. Replace front LH side air bag module. Refer to [SE-188, "Exploded View"](#).
2. Perform DTC confirmation procedure. Refer to [SRC-98, "DTC Logic"](#).

Is DTC detected?

YES >> GO TO 1.

NO >> INSPECTION END

A
B
C
D
E
F
G
I
J
K
L
M
N
O
P

SRC

B1135 SIDE MODULE LH

< DTC/CIRCUIT DIAGNOSIS >

B1135 SIDE MODULE LH

Description

INFOID:000000005656547

For front LH side air bag module, crash is judged by main "G" sensor output signal (left side: LH satellite sensor, right side: RH satellite sensor) and safing algorithm (in air bag diagnosis sensor unit).

OPERATION

In case of frontal collision whose acceleration exceeds the specified level, the ignition materials are ignited by electric ignition system. The system burns the gas generating materials resulting in a chemical reaction. This generates hot gases that flow into the air bag through a filter and expand the bag.

STRUCTURE

Front LH side air bag module mainly consists of air bag and inflator that inflates air bag.

INSTALLATION

Front LH side air bag module is installed on the side of front seat back with fixed nuts.

DTC Logic

INFOID:000000005656548

DTC No.	Trouble diagnosis name	DTC detecting condition	Possible cause
B1135	SIDE MODULE LH [VB-SHORT]	Front LH side air bag module circuit is shorted to some power supply circuit	<ul style="list-style-type: none">• Disconnection of wiring harness and short• Malfunction in front LH side air bag module• Malfunction in air bag diagnosis sensor unit

DTC CONFIRMATION PROCEDURE

1. CHECK SELF-DIAG RESULT

Ⓟ With CONSULT-III

1. Turn ignition switch ON.
2. Perform "AIR BAG" Self Diagnostic Result.

ⓧ Without CONSULT-III

1. Turn ignition switch ON.
2. Check the air bag warning lamp status. Refer to [SRC-14, "Air Bag Warning Lamp Diagnosis"](#).

NOTE:

SRS does not enter diagnosis mode if no malfunction is detected in user mode.

Is malfunctioning part detected?

- YES >> Refer to [SRC-100, "Diagnosis Procedure"](#).
NO >> INSPECTION END

Diagnosis Procedure

INFOID:000000005656549

WARNING:

- Before servicing, turn ignition switch OFF, disconnect battery negative terminal and wait at least 3 minutes. (To discharge backup capacitor.)
- Never use unspecified tester or other measuring device.

1. CHECK HARNESS CONNECTOR

Check the harness connector.

Is the inspection result normal?

- YES >> GO TO 2.
NO >> Replace harness connector.

2. CHECK WIRING HARNESS

Check the wiring harness externals.

Is the inspection result normal?

- YES >> GO TO 3.

B1135 SIDE MODULE LH

< DTC/CIRCUIT DIAGNOSIS >

NO >> Replace wiring harness.

3.REPLACE AIR BAG DIAGNOSIS SENSOR UNIT

1. Replace air bag diagnosis sensor unit. Refer to [SR-23, "Exploded View"](#).
2. Perform DTC confirmation procedure. Refer to [SRC-100, "DTC Logic"](#).

Is DTC detected?

YES >> GO TO 4.

NO >> INSPECTION END

4.REPLACE FRONT SIDE AIR BAG MODULE

1. Replace front LH side air bag module. Refer to [SE-188, "Exploded View"](#).
2. Perform DTC confirmation procedure. Refer to [SRC-100, "DTC Logic"](#).

Is DTC detected?

YES >> GO TO 1.

NO >> INSPECTION END

A
B
C
D
E
F
G
I
J
K
L
M
N
O
P

SRC

B1136 SIDE MODULE LH

< DTC/CIRCUIT DIAGNOSIS >

B1136 SIDE MODULE LH

Description

INFOID:000000005656550

For front LH side air bag module, crash is judged by main "G" sensor output signal (left side: LH satellite sensor, right side: RH satellite sensor) and safing algorithm (in air bag diagnosis sensor unit).

OPERATION

In case of frontal collision whose acceleration exceeds the specified level, the ignition materials are ignited by electric ignition system. The system burns the gas generating materials resulting in a chemical reaction. This generates hot gases that flow into the air bag through a filter and expand the bag.

STRUCTURE

Front LH side air bag module mainly consists of air bag and inflator that inflates air bag.

INSTALLATION

Front LH side air bag module is installed on the side of front seat back with fixed nuts.

DTC Logic

INFOID:000000005656551

DTC No.	Trouble diagnosis name	DTC detecting condition	Possible cause
B1136	SIDE MODULE LH [GND-SHORT]	Front LH side air bag module circuit is shorted to ground	<ul style="list-style-type: none">• Disconnection of wiring harness and short• Malfunction in front LH side air bag module• Malfunction in air bag diagnosis sensor unit

DTC CONFIRMATION PROCEDURE

1. CHECK SELF-DIAG RESULT

Ⓟ With CONSULT-III

1. Turn ignition switch ON.
2. Perform "AIR BAG" Self Diagnostic Result.

ⓧ Without CONSULT-III

1. Turn ignition switch ON.
2. Check the air bag warning lamp status. Refer to [SRC-14, "Air Bag Warning Lamp Diagnosis"](#).

NOTE:

SRS does not enter diagnosis mode if no malfunction is detected in user mode.

Is malfunctioning part detected?

- YES >> Refer to [SRC-102, "Diagnosis Procedure"](#).
NO >> INSPECTION END

Diagnosis Procedure

INFOID:000000005656552

WARNING:

- Before servicing, turn ignition switch OFF, disconnect battery negative terminal and wait at least 3 minutes. (To discharge backup capacitor.)
- Never use unspecified tester or other measuring device.

1. CHECK HARNESS CONNECTOR

Check the harness connector.

Is the inspection result normal?

- YES >> GO TO 2.
NO >> Replace harness connector.

2. CHECK WIRING HARNESS

Check the wiring harness externals.

Is the inspection result normal?

- YES >> GO TO 3.

B1136 SIDE MODULE LH

< DTC/CIRCUIT DIAGNOSIS >

NO >> Replace wiring harness.

3.REPLACE AIR BAG DIAGNOSIS SENSOR UNIT

1. Replace air bag diagnosis sensor unit. Refer to [SR-23, "Exploded View"](#).
2. Perform DTC confirmation procedure. Refer to [SRC-102, "DTC Logic"](#).

Is DTC detected?

YES >> GO TO 4.

NO >> INSPECTION END

4.REPLACE FRONT SIDE AIR BAG MODULE

1. Replace front LH side air bag module. Refer to [SE-188, "Exploded View"](#).
2. Perform DTC confirmation procedure. Refer to [SRC-102, "DTC Logic"](#).

Is DTC detected?

YES >> GO TO 1.

NO >> INSPECTION END

A
B
C
D
E
F
G
I
J
K
L
M
N
O
P

SRC

B1137 SIDE MODULE LH

< DTC/CIRCUIT DIAGNOSIS >

B1137 SIDE MODULE LH

Description

INFOID:000000005656553

For front LH side air bag module, crash is judged by main "G" sensor output signal (left side: LH satellite sensor, right side: RH satellite sensor) and safing algorithm (in air bag diagnosis sensor unit).

OPERATION

In case of frontal collision whose acceleration exceeds the specified level, the ignition materials are ignited by electric ignition system. The system burns the gas generating materials resulting in a chemical reaction. This generates hot gases that flow into the air bag through a filter and expand the bag.

STRUCTURE

Front LH side air bag module mainly consists of air bag and inflator that inflates air bag.

INSTALLATION

Front LH side air bag module is installed on the side of front seat back with fixed nuts.

DTC Logic

INFOID:000000005656554

DTC No.	Trouble diagnosis name	DTC detecting condition	Possible cause
B1137	SIDE MODULE LH [SHORT]	Front LH side air bag module circuit are shorted to each other	<ul style="list-style-type: none">• Disconnection of wiring harness and short• Malfunction in front LH side air bag module• Malfunction in air bag diagnosis sensor unit

DTC CONFIRMATION PROCEDURE

1. CHECK SELF-DIAG RESULT

Ⓟ With CONSULT-III

1. Turn ignition switch ON.
2. Perform "AIR BAG" Self Diagnostic Result.

ⓧ Without CONSULT-III

1. Turn ignition switch ON.
2. Check the air bag warning lamp status. Refer to [SRC-14, "Air Bag Warning Lamp Diagnosis"](#).

NOTE:

SRS does not enter diagnosis mode if no malfunction is detected in user mode.

Is malfunctioning part detected?

- YES >> Refer to [SRC-104, "Diagnosis Procedure"](#).
NO >> INSPECTION END

Diagnosis Procedure

INFOID:000000005656555

WARNING:

- Before servicing, turn ignition switch OFF, disconnect battery negative terminal and wait at least 3 minutes. (To discharge backup capacitor.)
- Never use un specified tester or other measuring device.

1. CHECK HARNESS CONNECTOR

Check the harness connector.

Is the inspection result normal?

- YES >> GO TO 2.
NO >> Replace harness connector.

2. CHECK WIRING HARNESS

Check the wiring harness externals.

Is the inspection result normal?

- YES >> GO TO 3.

B1137 SIDE MODULE LH

< DTC/CIRCUIT DIAGNOSIS >

NO >> Replace wiring harness.

3.REPLACE AIR BAG DIAGNOSIS SENSOR UNIT

1. Replace air bag diagnosis sensor unit. Refer to [SR-23, "Exploded View"](#).
2. Perform DTC confirmation procedure. Refer to [SRC-104, "DTC Logic"](#).

Is DTC detected?

YES >> GO TO 4.

NO >> INSPECTION END

4.REPLACE FRONT SIDE AIR BAG MODULE

1. Replace front LH side air bag module. Refer to [SE-188, "Exploded View"](#).
2. Perform DTC confirmation procedure. Refer to [SRC-104, "DTC Logic"](#).

Is DTC detected?

YES >> GO TO 1.

NO >> INSPECTION END

A
B
C
D
E
F
G
I
J
K
L
M
N
O
P

SRC

B1138, B1139, B1140, B1141, B1142, B1143 DIAGNOSIS SENSOR UNIT

< DTC/CIRCUIT DIAGNOSIS >

B1138, B1139, B1140, B1141, B1142, B1143 DIAGNOSIS SENSOR UNIT

Description

INFOID:000000005656556

Checks the entire SRS and displays the malfunction either by illuminating or blinking the air bag warning lamp on the combination meter. Malfunctioning part can be detected by on board self-diagnosis system and CONSULT-III.

OPERATION

It detects a shock that exceeds a specified level and monitors whether the driver and passenger air bags, front side air bag, side curtain air bag and pre-tensioner seat belts operate normally.

STRUCTURE

It contains the "G" sensors for both frontal and side collisions and spare battery function in case of main battery damage in collision.

INSTALLATION

Air bag diagnosis sensor unit is installed under the center console with fixed bolts.

DTC Logic

INFOID:000000005656557

DTC No.	Trouble diagnosis name	DTC detecting condition	Possible cause
B1138 B1139 B1140 B1141 B1142 B1143	CONTROL UNIT	Air bag diagnosis sensor unit is malfunctioning or out of the specification	<ul style="list-style-type: none">Malfunction in air bag diagnosis sensor unitConfiguration in air bag diagnosis sensor unit does not match the vehicle specification

DTC CONFIRMATION PROCEDURE

1. CHECK SELF-DIAG RESULT

With CONSULT-III

- Turn ignition switch ON.
- Perform "AIR BAG" Self Diagnostic Result.

Without CONSULT-III

- Turn ignition switch ON.
- Check the air bag warning lamp status. Refer to [SRC-14, "Air Bag Warning Lamp Diagnosis"](#).

NOTE:

SRS does not enter diagnosis mode if no malfunction is detected in user mode.

Is malfunctioning part detected?

YES >> Refer to [SRC-106, "Diagnosis Procedure"](#).

NO >> INSPECTION END

Diagnosis Procedure

INFOID:000000005656558

WARNING:

- Before servicing, turn ignition switch OFF, disconnect battery negative terminal and wait at least 3 minutes. (To discharge backup capacitor.)
- Never use unspecified tester or other measuring device.

1. CHECK HARNESS CONNECTOR

Check the harness connector.

Is the inspection result normal?

YES >> GO TO 2.

NO >> Replace harness connectors.

2. CHECK WIRING HARNESS

Check the wiring harness externals.

Is the inspection result normal?

B1138, B1139, B1140, B1141, B1142, B1143 DIAGNOSIS SENSOR UNIT

< DTC/CIRCUIT DIAGNOSIS >

YES >> GO TO 3.

NO >> Replace wiring harness.

3. REPLACE AIR BAG DIAGNOSIS SENSOR UNIT

1. Replace air bag diagnosis sensor unit. Refer to [SR-23. "Exploded View"](#).

2. Perform DTC confirmation procedure. Refer to [SRC-106. "DTC Logic"](#).

Is DTC detected?

YES >> GO TO 1.

NO >> INSPECTION END

A

B

C

D

E

F

G

SRC

I

J

K

L

M

N

O

P

B1145 CURTAIN MODULE RH

< DTC/CIRCUIT DIAGNOSIS >

B1145 CURTAIN MODULE RH

Description

INFOID:000000005656559

For RH side curtain air bag module, crash is judged by main "G" sensor output signal (left side: LH satellite sensor, right side: RH satellite sensor) and safing algorithm (in air bag diagnosis sensor unit).

OPERATION

In case of frontal collision whose acceleration exceeds the specified level, the ignition materials are ignited by electric ignition system. The system burns the gas generating materials resulting in a chemical reaction. This generates hot gases that flow into the air bag through a filter and expand the bag.

STRUCTURE

RH side curtain air bag module mainly consists of air bag and inflator that inflates air bag.

INSTALLATION

RH side curtain air bag module is installed on the roof side with fixed bolts.

DTC Logic

INFOID:000000005656560

DTC No.	Trouble diagnosis name	DTC detecting condition	Possible cause
B1145	CURTAIN MODULE RH [OPEN]	RH side curtain air bag module circuit is open	<ul style="list-style-type: none">• Disconnection of wiring harness and open• Malfunction in RH side curtain air bag module• Malfunction in air bag diagnosis sensor unit

DTC CONFIRMATION PROCEDURE

1. CHECK SELF-DIAG RESULT

With CONSULT-III

1. Turn ignition switch ON.
2. Perform "AIR BAG" Self Diagnostic Result.

Without CONSULT-III

1. Turn ignition switch ON.
2. Check the air bag warning lamp status. Refer to [SRC-14, "Air Bag Warning Lamp Diagnosis"](#).

NOTE:

SRS does not enter diagnosis mode if no malfunction is detected in user mode.

Is malfunctioning part detected?

- YES >> Refer to [SRC-108, "Diagnosis Procedure"](#).
NO >> INSPECTION END

Diagnosis Procedure

INFOID:000000005656561

WARNING:

- Before servicing, turn ignition switch OFF, disconnect battery negative terminal and wait at least 3 minutes. (To discharge backup capacitor.)
- Never use unspecified tester or other measuring device.

1. CHECK HARNESS CONNECTOR

Check the harness connector.

Is the inspection result normal?

- YES >> GO TO 2.
NO >> Replace harness connector.

2. CHECK WIRING HARNESS

Check the wiring harness externals.

Is the inspection result normal?

- YES >> GO TO 3.

B1145 CURTAIN MODULE RH

< DTC/CIRCUIT DIAGNOSIS >

NO >> Replace wiring harness.

3.REPLACE AIR BAG DIAGNOSIS SENSOR UNIT

1. Replace air bag diagnosis sensor unit. Refer to [SR-23, "Exploded View"](#).
2. Perform DTC confirmation procedure. Refer to [SRC-108, "DTC Logic"](#).

Is DTC detected?

YES >> GO TO 4.

NO >> INSPECTION END

4.REPLACE SIDE CURTAIN AIR BAG MODULE

1. Replace RH side curtain air bag module. Refer to [SR-19, "Exploded View"](#).
2. Perform DTC confirmation procedure. Refer to [SRC-108, "DTC Logic"](#).

Is DTC detected?

YES >> GO TO 1.

NO >> INSPECTION END

A
B
C
D
E
F
G
I
J
K
L
M
N
O
P

SRC

B1146 CURTAIN MODULE RH

< DTC/CIRCUIT DIAGNOSIS >

B1146 CURTAIN MODULE RH

Description

INFOID:000000005656562

For RH side curtain air bag module, crash is judged by main "G" sensor output signal (left side: LH satellite sensor, right side: RH satellite sensor) and safing algorithm (in air bag diagnosis sensor unit).

OPERATION

In case of frontal collision whose acceleration exceeds the specified level, the ignition materials are ignited by electric ignition system. The system burns the gas generating materials resulting in a chemical reaction. This generates hot gases that flow into the air bag through a filter and expand the bag.

STRUCTURE

RH side curtain air bag module mainly consists of air bag and inflator that inflates air bag.

INSTALLATION

RH side curtain air bag module is installed on the roof side with fixed bolts.

DTC Logic

INFOID:000000005656563

DTC No.	Trouble diagnosis name	DTC detecting condition	Possible cause
B1146	CURTAIN MODULE RH [VB-SHORT]	RH side curtain air bag module circuit is shorted to some power supply circuit	<ul style="list-style-type: none">• Disconnection of wiring harness and short• Malfunction in RH side curtain air bag module• Malfunction in air bag diagnosis sensor unit

DTC CONFIRMATION PROCEDURE

1. CHECK SELF-DIAG RESULT

Ⓟ With CONSULT-III

1. Turn ignition switch ON.
2. Perform "AIR BAG" Self Diagnostic Result.

ⓧ Without CONSULT-III

1. Turn ignition switch ON.
2. Check the air bag warning lamp status. Refer to [SRC-14, "Air Bag Warning Lamp Diagnosis"](#).

NOTE:

SRS does not enter diagnosis mode if no malfunction is detected in user mode.

Is malfunctioning part detected?

- YES >> Refer to [SRC-110, "Diagnosis Procedure"](#).
NO >> INSPECTION END

Diagnosis Procedure

INFOID:000000005656564

WARNING:

- Before servicing, turn ignition switch OFF, disconnect battery negative terminal and wait at least 3 minutes. (To discharge backup capacitor.)
- Never use unspecified tester or other measuring device.

1. CHECK HARNESS CONNECTOR

Check the harness connector.

Is the inspection result normal?

- YES >> GO TO 2.
NO >> Replace harness connector.

2. CHECK WIRING HARNESS

Check the wiring harness externals.

Is the inspection result normal?

- YES >> GO TO 3.

B1146 CURTAIN MODULE RH

< DTC/CIRCUIT DIAGNOSIS >

NO >> Replace wiring harness.

3.REPLACE AIR BAG DIAGNOSIS SENSOR UNIT

1. Replace air bag diagnosis sensor unit. Refer to [SR-23, "Exploded View"](#).
2. Perform DTC confirmation procedure. Refer to [SRC-110, "DTC Logic"](#).

Is DTC detected?

YES >> GO TO 4.

NO >> INSPECTION END

4.REPLACE SIDE CURTAIN AIR BAG MODULE

1. Replace RH side curtain air bag module. Refer to [SR-19, "Exploded View"](#).
2. Perform DTC confirmation procedure. Refer to [SRC-110, "DTC Logic"](#).

Is DTC detected?

YES >> GO TO 1.

NO >> INSPECTION END

A
B
C
D
E
F
G
I
J
K
L
M
N
O
P

SRC

B1147 CURTAIN MODULE RH

< DTC/CIRCUIT DIAGNOSIS >

B1147 CURTAIN MODULE RH

Description

INFOID:000000005656565

For RH side curtain air bag module, crash is judged by main "G" sensor output signal (left side: LH satellite sensor, right side: RH satellite sensor) and safing algorithm (in air bag diagnosis sensor unit).

OPERATION

In case of frontal collision whose acceleration exceeds the specified level, the ignition materials are ignited by electric ignition system. The system burns the gas generating materials resulting in a chemical reaction. This generates hot gases that flow into the air bag through a filter and expand the bag.

STRUCTURE

RH side curtain air bag module mainly consists of air bag and inflator that inflates air bag.

INSTALLATION

RH side curtain air bag module is installed on the roof side with fixed bolts.

DTC Logic

INFOID:000000005656566

DTC No.	Trouble diagnosis name	DTC detecting condition	Possible cause
B1147	CURTAIN MODULE RH [GND-SHORT]	RH side curtain air bag module circuit is shorted to ground	<ul style="list-style-type: none">• Disconnection of wiring harness and short• Malfunction in RH side curtain air bag module• Malfunction in air bag diagnosis sensor unit

DTC CONFIRMATION PROCEDURE

1. CHECK SELF-DIAG RESULT

Ⓟ With CONSULT-III

1. Turn ignition switch ON.
2. Perform "AIR BAG" Self Diagnostic Result.

ⓧ Without CONSULT-III

1. Turn ignition switch ON.
2. Check the air bag warning lamp status. Refer to [SRC-14, "Air Bag Warning Lamp Diagnosis"](#).

NOTE:

SRS does not enter diagnosis mode if no malfunction is detected in user mode.

Is malfunctioning part detected?

- YES >> Refer to [SRC-112, "Diagnosis Procedure"](#).
NO >> INSPECTION END

Diagnosis Procedure

INFOID:000000005656567

WARNING:

- Before servicing, turn ignition switch OFF, disconnect battery negative terminal and wait at least 3 minutes. (To discharge backup capacitor.)
- Never use unspecified tester or other measuring device.

1. CHECK HARNESS CONNECTOR

Check the harness connector.

Is the inspection result normal?

- YES >> GO TO 2.
NO >> Replace harness connector.

2. CHECK WIRING HARNESS

Check the wiring harness externals.

Is the inspection result normal?

- YES >> GO TO 3.

B1147 CURTAIN MODULE RH

< DTC/CIRCUIT DIAGNOSIS >

NO >> Replace wiring harness.

3.REPLACE AIR BAG DIAGNOSIS SENSOR UNIT

1. Replace air bag diagnosis sensor unit. Refer to [SR-23, "Exploded View"](#).
2. Perform DTC confirmation procedure. Refer to [SRC-112, "DTC Logic"](#).

Is DTC detected?

YES >> GO TO 4.

NO >> INSPECTION END

4.REPLACE SIDE CURTAIN AIR BAG MODULE

1. Replace RH side curtain air bag module. Refer to [SR-19, "Exploded View"](#).
2. Perform DTC confirmation procedure. Refer to [SRC-112, "DTC Logic"](#).

Is DTC detected?

YES >> GO TO 1.

NO >> INSPECTION END

A
B
C
D
E
F
G
I
J
K
L
M
N
O
P

SRC

B1148 CURTAIN MODULE RH

< DTC/CIRCUIT DIAGNOSIS >

B1148 CURTAIN MODULE RH

Description

INFOID:000000005656568

For RH side curtain air bag module, crash is judged by main "G" sensor output signal (left side: LH satellite sensor, right side: RH satellite sensor) and safing algorithm (in air bag diagnosis sensor unit).

OPERATION

In case of frontal collision whose acceleration exceeds the specified level, the ignition materials are ignited by electric ignition system. The system burns the gas generating materials resulting in a chemical reaction. This generates hot gases that flow into the air bag through a filter and expand the bag.

STRUCTURE

RH side curtain air bag module mainly consists of air bag and inflator that inflates air bag.

INSTALLATION

RH side curtain air bag module is installed on the roof side with fixed bolts.

DTC Logic

INFOID:000000005656569

DTC No.	Trouble diagnosis name	DTC detecting condition	Possible cause
B1148	CURTAIN MODULE RH [SHORT]	RH side curtain air bag module circuit are shorted to each other	<ul style="list-style-type: none">• Disconnection of wiring harness and short• Malfunction in RH side curtain air bag module• Malfunction in air bag diagnosis sensor unit

DTC CONFIRMATION PROCEDURE

1. CHECK SELF-DIAG RESULT

With CONSULT-III

1. Turn ignition switch ON.
2. Perform "AIR BAG" Self Diagnostic Result.

Without CONSULT-III

1. Turn ignition switch ON.
2. Check the air bag warning lamp status. Refer to [SRC-14, "Air Bag Warning Lamp Diagnosis"](#).

NOTE:

SRS does not enter diagnosis mode if no malfunction is detected in user mode.

Is malfunctioning part detected?

- YES >> Refer to [SRC-114, "Diagnosis Procedure"](#).
NO >> INSPECTION END

Diagnosis Procedure

INFOID:000000005656570

WARNING:

- Before servicing, turn ignition switch OFF, disconnect battery negative terminal and wait at least 3 minutes. (To discharge backup capacitor.)
- Never use unspecified tester or other measuring device.

1. CHECK HARNESS CONNECTOR

Check the harness connector.

Is the inspection result normal?

- YES >> GO TO 2.
NO >> Replace harness connector.

2. CHECK WIRING HARNESS

Check the wiring harness externals.

Is the inspection result normal?

- YES >> GO TO 3.

B1148 CURTAIN MODULE RH

< DTC/CIRCUIT DIAGNOSIS >

NO >> Replace wiring harness.

3.REPLACE AIR BAG DIAGNOSIS SENSOR UNIT

1. Replace air bag diagnosis sensor unit. Refer to [SR-23, "Exploded View"](#).
2. Perform DTC confirmation procedure. Refer to [SRC-114, "DTC Logic"](#).

Is DTC detected?

YES >> GO TO 4.

NO >> INSPECTION END

4.REPLACE SIDE CURTAIN AIR BAG MODULE

1. Replace RH side curtain air bag module. Refer to [SR-19, "Exploded View"](#).
2. Perform DTC confirmation procedure. Refer to [SRC-114, "DTC Logic"](#).

Is DTC detected?

YES >> GO TO 1.

NO >> INSPECTION END

A
B
C
D
E
F
G
I
J
K
L
M
N
O
P

SRC

B1150 CURTAIN MODULE LH

< DTC/CIRCUIT DIAGNOSIS >

B1150 CURTAIN MODULE LH

Description

INFOID:000000005656571

For RH side curtain air bag module, crash is judged by main "G" sensor output signal (left side: LH satellite sensor, right side: RH satellite sensor) and safing algorithm (in air bag diagnosis sensor unit).

OPERATION

In case of frontal collision whose acceleration exceeds the specified level, the ignition materials are ignited by electric ignition system. The system burns the gas generating materials resulting in a chemical reaction. This generates hot gases that flow into the air bag through a filter and expand the bag.

STRUCTURE

LH side curtain air bag module mainly consists of air bag and inflator that inflates air bag.

INSTALLATION

LH side curtain air bag module is installed on the roof side with fixed bolts.

DTC Logic

INFOID:000000005656572

DTC No.	Trouble diagnosis name	DTC detecting condition	Possible cause
B1150	CURTAIN MODULE LH [OPEN]	LH side curtain air bag module circuit is open	<ul style="list-style-type: none">• Disconnection of wiring harness and open• Malfunction in LH side curtain air bag module• Malfunction in air bag diagnosis sensor unit

DTC CONFIRMATION PROCEDURE

1. CHECK SELF-DIAG RESULT

Ⓟ With CONSULT-III

1. Turn ignition switch ON.
2. Perform "AIR BAG" Self Diagnostic Result.

ⓧ Without CONSULT-III

1. Turn ignition switch ON.
2. Check the air bag warning lamp status. Refer to [SRC-14, "Air Bag Warning Lamp Diagnosis"](#).

NOTE:

SRS does not enter diagnosis mode if no malfunction is detected in user mode.

Is malfunctioning part detected?

- YES >> Refer to [SRC-116, "Diagnosis Procedure"](#).
NO >> INSPECTION END

Diagnosis Procedure

INFOID:000000005656573

WARNING:

- Before servicing, turn ignition switch OFF, disconnect battery negative terminal and wait at least 3 minutes. (To discharge backup capacitor.)
- Never use unspecified tester or other measuring device.

1. CHECK HARNESS CONNECTOR

Check the harness connector.

Is the inspection result normal?

- YES >> GO TO 2.
NO >> Replace harness connector.

2. CHECK WIRING HARNESS

Check the wiring harness externals.

Is the inspection result normal?

- YES >> GO TO 3.

B1150 CURTAIN MODULE LH

< DTC/CIRCUIT DIAGNOSIS >

NO >> Replace wiring harness.

3.REPLACE AIR BAG DIAGNOSIS SENSOR UNIT

1. Replace air bag diagnosis sensor unit. Refer to [SR-23, "Exploded View"](#).
2. Perform DTC confirmation procedure. Refer to [SRC-116, "DTC Logic"](#).

Is DTC detected?

YES >> GO TO 4.

NO >> INSPECTION END

4.REPLACE SIDE CURTAIN AIR BAG MODULE

1. Replace LH side curtain air bag module. Refer to [SR-19, "Exploded View"](#).
2. Perform DTC confirmation procedure. Refer to [SRC-116, "DTC Logic"](#).

Is DTC detected?

YES >> GO TO 1.

NO >> INSPECTION END

A
B
C
D
E
F
G
I
J
K
L
M
N
O
P

SRC

B1151 CURTAIN MODULE LH

< DTC/CIRCUIT DIAGNOSIS >

B1151 CURTAIN MODULE LH

Description

INFOID:000000005656574

For RH side curtain air bag module, crash is judged by main "G" sensor output signal (left side: LH satellite sensor, right side: RH satellite sensor) and safing algorithm (in air bag diagnosis sensor unit).

OPERATION

In case of frontal collision whose acceleration exceeds the specified level, the ignition materials are ignited by electric ignition system. The system burns the gas generating materials resulting in a chemical reaction. This generates hot gases that flow into the air bag through a filter and expand the bag.

STRUCTURE

LH side curtain air bag module mainly consists of air bag and inflator that inflates air bag.

INSTALLATION

LH side curtain air bag module is installed on the roof side with fixed bolts.

DTC Logic

INFOID:000000005656575

DTC No.	Trouble diagnosis name	DTC detecting condition	Possible cause
B1151	CURTAIN MODULE LH [VB-SHORT]	LH side curtain air bag module circuit is shorted to some power supply circuit	<ul style="list-style-type: none">• Disconnection of wiring harness and short• Malfunction in LH side curtain air bag module• Malfunction in air bag diagnosis sensor unit

DTC CONFIRMATION PROCEDURE

1. CHECK SELF-DIAG RESULT

With CONSULT-III

1. Turn ignition switch ON.
2. Perform "AIR BAG" Self Diagnostic Result.

Without CONSULT-III

1. Turn ignition switch ON.
2. Check the air bag warning lamp status. Refer to [SRC-14, "Air Bag Warning Lamp Diagnosis"](#).

NOTE:

SRS does not enter diagnosis mode if no malfunction is detected in user mode.

Is malfunctioning part detected?

- YES >> Refer to [SRC-118, "Diagnosis Procedure"](#).
NO >> INSPECTION END

Diagnosis Procedure

INFOID:000000005656576

WARNING:

- Before servicing, turn ignition switch OFF, disconnect battery negative terminal and wait at least 3 minutes. (To discharge backup capacitor.)
- Never use unspecified tester or other measuring device.

1. CHECK HARNESS CONNECTOR

Check the harness connector.

Is the inspection result normal?

- YES >> GO TO 2.
NO >> Replace harness connector.

2. CHECK WIRING HARNESS

Check the wiring harness externals.

Is the inspection result normal?

- YES >> GO TO 3.

B1151 CURTAIN MODULE LH

< DTC/CIRCUIT DIAGNOSIS >

NO >> Replace wiring harness.

3.REPLACE AIR BAG DIAGNOSIS SENSOR UNIT

1. Replace air bag diagnosis sensor unit. Refer to [SR-23, "Exploded View"](#).
2. Perform DTC confirmation procedure. Refer to [SRC-118, "DTC Logic"](#).

Is DTC detected?

YES >> GO TO 4.

NO >> INSPECTION END

4.REPLACE SIDE CURTAIN AIR BAG MODULE

1. Replace LH side curtain air bag module. Refer to [SR-19, "Exploded View"](#).
2. Perform DTC confirmation procedure. Refer to [SRC-118, "DTC Logic"](#).

Is DTC detected?

YES >> GO TO 1.

NO >> INSPECTION END

A
B
C
D
E
F
G
I
J
K
L
M
N
O
P

SRC

B1152 CURTAIN MODULE LH

< DTC/CIRCUIT DIAGNOSIS >

B1152 CURTAIN MODULE LH

Description

INFOID:000000005656577

For RH side curtain air bag module, crash is judged by main "G" sensor output signal (left side: LH satellite sensor, right side: RH satellite sensor) and safing algorithm (in air bag diagnosis sensor unit).

OPERATION

In case of frontal collision whose acceleration exceeds the specified level, the ignition materials are ignited by electric ignition system. The system burns the gas generating materials resulting in a chemical reaction. This generates hot gases that flow into the air bag through a filter and expand the bag.

STRUCTURE

LH side curtain air bag module mainly consists of air bag and inflator that inflates air bag.

INSTALLATION

LH side curtain air bag module is installed on the roof side with fixed bolts.

DTC Logic

INFOID:000000005656578

DTC No.	Trouble diagnosis name	DTC detecting condition	Possible cause
B1152	CURTAIN MODULE LH [GND-SHORT]	LH side curtain air bag module circuit is shorted to ground	<ul style="list-style-type: none">• Disconnection of wiring harness and short• Malfunction in LH side curtain air bag module• Malfunction in air bag diagnosis sensor unit

DTC CONFIRMATION PROCEDURE

1. CHECK SELF-DIAG RESULT

With CONSULT-III

1. Turn ignition switch ON.
2. Perform "AIR BAG" Self Diagnostic Result.

Without CONSULT-III

1. Turn ignition switch ON.
2. Check the air bag warning lamp status. Refer to [SRC-14, "Air Bag Warning Lamp Diagnosis"](#).

NOTE:

SRS does not enter diagnosis mode if no malfunction is detected in user mode.

Is malfunctioning part detected?

- YES >> Refer to [SRC-120, "Diagnosis Procedure"](#).
NO >> INSPECTION END

Diagnosis Procedure

INFOID:000000005656579

WARNING:

- Before servicing, turn ignition switch OFF, disconnect battery negative terminal and wait at least 3 minutes. (To discharge backup capacitor.)
- Never use unspecified tester or other measuring device.

1. CHECK HARNESS CONNECTOR

Check the harness connector.

Is the inspection result normal?

- YES >> GO TO 2.
NO >> Replace harness connector.

2. CHECK WIRING HARNESS

Check the wiring harness externals.

Is the inspection result normal?

- YES >> GO TO 3.

B1152 CURTAIN MODULE LH

< DTC/CIRCUIT DIAGNOSIS >

NO >> Replace wiring harness.

3.REPLACE AIR BAG DIAGNOSIS SENSOR UNIT

1. Replace air bag diagnosis sensor unit. Refer to [SR-23, "Exploded View"](#).
2. Perform DTC confirmation procedure. Refer to [SRC-120, "DTC Logic"](#).

Is DTC detected?

YES >> GO TO 4.

NO >> INSPECTION END

4.REPLACE SIDE CURTAIN AIR BAG MODULE

1. Replace LH side curtain air bag module. Refer to [SR-19, "Exploded View"](#).
2. Perform DTC confirmation procedure. Refer to [SRC-120, "DTC Logic"](#).

Is DTC detected?

YES >> GO TO 1.

NO >> INSPECTION END

A
B
C
D
E
F
G
I
J
K
L
M
N
O
P

SRC

B1153 CURTAIN MODULE LH

< DTC/CIRCUIT DIAGNOSIS >

B1153 CURTAIN MODULE LH

Description

INFOID:000000005656580

For RH side curtain air bag module, crash is judged by main "G" sensor output signal (left side: LH satellite sensor, right side: RH satellite sensor) and safing algorithm (in air bag diagnosis sensor unit).

OPERATION

In case of frontal collision whose acceleration exceeds the specified level, the ignition materials are ignited by electric ignition system. The system burns the gas generating materials resulting in a chemical reaction. This generates hot gases that flow into the air bag through a filter and expand the bag.

STRUCTURE

LH side curtain air bag module mainly consists of air bag and inflator that inflates air bag.

INSTALLATION

LH side curtain air bag module is installed on the roof side with fixed bolts.

DTC Logic

INFOID:000000005656581

DTC No.	Trouble diagnosis name	DTC detecting condition	Possible cause
B1153	CURTAIN MODULE LH [SHORT]	LH side curtain air bag module circuit are shorted to each other	<ul style="list-style-type: none">• Disconnection of wiring harness and short• Malfunction in LH side curtain air bag module• Malfunction in air bag diagnosis sensor unit

DTC CONFIRMATION PROCEDURE

1. CHECK SELF-DIAG RESULT

Ⓟ With CONSULT-III

1. Turn ignition switch ON.
2. Perform "AIR BAG" Self Diagnostic Result.

ⓧ Without CONSULT-III

1. Turn ignition switch ON.
2. Check the air bag warning lamp status. Refer to [SRC-14, "Air Bag Warning Lamp Diagnosis"](#).

NOTE:

SRS does not enter diagnosis mode if no malfunction is detected in user mode.

Is malfunctioning part detected?

- YES >> Refer to [SRC-122, "Diagnosis Procedure"](#).
NO >> INSPECTION END

Diagnosis Procedure

INFOID:000000005656582

WARNING:

- Before servicing, turn ignition switch OFF, disconnect battery negative terminal and wait at least 3 minutes. (To discharge backup capacitor.)
- Never use unspecified tester or other measuring device.

1. CHECK HARNESS CONNECTOR

Check the harness connector.

Is the inspection result normal?

- YES >> GO TO 2.
NO >> Replace harness connector.

2. CHECK WIRING HARNESS

Check the wiring harness externals.

Is the inspection result normal?

- YES >> GO TO 3.

B1153 CURTAIN MODULE LH

< DTC/CIRCUIT DIAGNOSIS >

NO >> Replace wiring harness.

3.REPLACE AIR BAG DIAGNOSIS SENSOR UNIT

1. Replace air bag diagnosis sensor unit. Refer to [SR-23, "Exploded View"](#).
2. Perform DTC confirmation procedure. Refer to [SRC-122, "DTC Logic"](#).

Is DTC detected?

YES >> GO TO 4.

NO >> INSPECTION END

4.REPLACE SIDE CURTAIN AIR BAG MODULE

1. Replace LH side curtain air bag module. Refer to [SR-19, "Exploded View"](#).
2. Perform DTC confirmation procedure. Refer to [SRC-122, "DTC Logic"](#).

Is DTC detected?

YES >> GO TO 1.

NO >> INSPECTION END

A
B
C
D
E
F
G
I
J
K
L
M
N
O
P

SRC

B1202, B1203, B1204, B1205, B1206, B1207 DIAGNOSIS SENSOR UNIT

< DTC/CIRCUIT DIAGNOSIS >

B1202, B1203, B1204, B1205, B1206, B1207 DIAGNOSIS SENSOR UNIT

Description

INFOID:000000005656583

Checks the entire SRS and displays the malfunction either by illuminating or blinking the air bag warning lamp on the combination meter. Malfunctioning part can be detected by on board self-diagnosis system and CONSULT-III.

OPERATION

It detects a shock that exceeds a specified level and monitors whether the driver and passenger air bags, front side air bag, side curtain air bag and pre-tensioner seat belts operate normally.

STRUCTURE

It contains the "G" sensors for both frontal and side collisions and spare battery function in case of main battery damage in collision.

INSTALLATION

Air bag diagnosis sensor unit is installed under the center console with fixed bolts.

DTC Logic

INFOID:000000005656584

DTC No.	Trouble diagnosis name	DTC detecting condition	Possible cause
B1202 B1203 B1204 B1205 B1206 B1207	CONTROL UNIT	Air bag diagnosis sensor unit is malfunctioning or out of the specification	<ul style="list-style-type: none">Malfunction in air bag diagnosis sensor unitConfiguration in air bag diagnosis sensor unit does not match the vehicle specification

DTC CONFIRMATION PROCEDURE

1. CHECK SELF-DIAG RESULT

With CONSULT-III

- Turn ignition switch ON.
- Perform "AIR BAG" Self Diagnostic Result.

Without CONSULT-III

- Turn ignition switch ON.
- Check the air bag warning lamp status. Refer to [SRC-14, "Air Bag Warning Lamp Diagnosis"](#).

NOTE:

SRS does not enter diagnosis mode if no malfunction is detected in user mode.

Is malfunctioning part detected?

- YES >> Refer to [SRC-124, "Diagnosis Procedure"](#).
NO >> INSPECTION END

Diagnosis Procedure

INFOID:000000005656585

WARNING:

- Before servicing, turn ignition switch OFF, disconnect battery negative terminal and wait at least 3 minutes. (To discharge backup capacitor.)
- Never use unspecified tester or other measuring device.

1. CHECK HARNESS CONNECTOR

Check the harness connector.

Is the inspection result normal?

- YES >> GO TO 2.
NO >> Replace harness connectors.

2. CHECK WIRING HARNESS

Check the wiring harness externals.

Is the inspection result normal?

B1202, B1203, B1204, B1205, B1206, B1207 DIAGNOSIS SENSOR UNIT

< DTC/CIRCUIT DIAGNOSIS >

YES >> GO TO 3.

NO >> Replace wiring harness.

3. REPLACE AIR BAG DIAGNOSIS SENSOR UNIT

1. Replace air bag diagnosis sensor unit. Refer to [SR-23. "Exploded View"](#).

2. Perform DTC confirmation procedure. Refer to [SRC-124. "DTC Logic"](#).

Is DTC detected?

YES >> GO TO 1.

NO >> INSPECTION END

A

B

C

D

E

F

G

SRC

I

J

K

L

M

N

O

P

B1209 FRONTAL COLLISION DETECTION

< DTC/CIRCUIT DIAGNOSIS >

B1209 FRONTAL COLLISION DETECTION

Description

INFOID:000000005656586

DTC B1209 FRONTAL COLLISION DETECTION

When crash zone sensor detects component damage resulting from a front collision, the system blinks or illuminates the air bag warning lamp to inform the driver. Malfunctioning can be detected by CONSULT-III.

OPERATION

The air bags and seat belt pre-tensioners for driver and front passenger are activated by the air bag diagnosis sensor unit signal transmitted at the time of the frontal collision.

STRUCTURE

It consists of crash zone sensor, air bag diagnosis sensor unit, air bags and seat belt pre-tensioners for driver and front passenger.

INSTALLATION

Refer to [SR-11, "Exploded View"](#) (Driver air bag module), [SR-17, "Exploded View"](#) (Front passenger air bag module), [SR-21, "Exploded View"](#) (Crash zone sensor), [SR-23, "Exploded View"](#) (Air bag diagnosis sensor unit), [SB-6, "SEAT BELT RETRACTOR : Exploded View"](#) (Front LH/RH seat belt pre-tensioner).

DTC Logic

INFOID:000000005656587

DTC No.	Trouble diagnosis name	DTC detecting condition	Possible cause
B1209	FRONTAL COLLISION DETECTION	Front seat belt pre-tensioner, front air bag is deployed	—

DTC CONFIRMATION PROCEDURE

1. CHECK SELF-DIAG RESULT

With CONSULT-III

1. Turn ignition switch ON.
2. Perform "AIR BAG" Self Diagnostic Result.

Without CONSULT-III

1. Turn ignition switch ON.
2. Check the air bag warning lamp status. Refer to [SRC-14, "Air Bag Warning Lamp Diagnosis"](#).

NOTE:

SRS does not enter diagnosis mode if no malfunction is detected in user mode.

Is malfunctioning part detected?

- YES >> Refer to [SRC-126, "Diagnosis Procedure"](#).
NO >> INSPECTION END

Diagnosis Procedure

INFOID:000000005782640

WARNING:

- Before servicing, turn ignition switch OFF, disconnect battery negative terminal, and wait at least 3 minutes or more. (To discharge backup capacitor.)
- Never use unspecified tester or other measuring device.

1. PERFORM COLLISION DIAGNOSIS

Perform collision diagnosis. Refer to [SR-5, "FOR FRONTAL COLLISION : When SRS is activated in a collision"](#) or [SR-6, "FOR FRONTAL COLLISION : When SRS is not activated in a collision"](#).

Is collision diagnosis complete?

- YES >> GO TO 2.
NO >> INSPECTION END

2. FINAL INSPECTION

Perform "AIR BAG" Self Diagnostic Result.

Is the inspection result normal?

B1209 FRONTAL COLLISION DETECTION

< DTC/CIRCUIT DIAGNOSIS >

YES >> INSPECTION END

NO >> Perform diagnosis of applicable DTC. Refer to [SRC-129, "DTC Index"](#).

A

B

C

D

E

F

G

SRC

I

J

K

L

M

N

O

P

B1210 SIDE COLLISION DETECTION

< DTC/CIRCUIT DIAGNOSIS >

B1210 SIDE COLLISION DETECTION

Description

INFOID:000000005656589

DTC B1210 SIDE COLLISION DETECTION

When satellite sensor detects component damage resulting from a side collision, blinks or illuminates the air bag warning lamp to inform the driver. Malfunctioning can be detected by CONSULT-III.

OPERATION

The front side air bag and side curtain air bag are activated by the air bag diagnosis sensor unit signal transmitted at the time of the side collision.

STRUCTURE

It consists of satellite sensor, air bag diagnosis sensor unit, front side air bag and side curtain air bag.

INSTALLATION

Refer to [SE-188. "Exploded View"](#) (Front LH/RH side air bag module), [SR-19. "Exploded View"](#) (Side curtain air bag module), [SR-22. "Exploded View"](#) (LH/RH satellite sensor).

DTC Logic

INFOID:000000005656590

DTC No.	Trouble diagnosis name	DTC detecting condition	Possible cause
B1210	SIDE COLLISION DETECTION	Front side air bag, side curtain air bag is deployed	—

DTC CONFIRMATION PROCEDURE

1. CHECK SELF-DIAG RESULT

With CONSULT-III

1. Turn ignition switch ON.
2. Perform "AIR BAG" Self Diagnostic Result.

Without CONSULT-III

1. Turn ignition switch ON.
2. Check the air bag warning lamp status. Refer to [SRC-14. "Air Bag Warning Lamp Diagnosis"](#).

NOTE:

SRS does not enter diagnosis mode if no malfunction is detected in user mode.

Is malfunctioning part detected?

- YES >> Refer to [SRC-128. "Diagnosis Procedure"](#).
NO >> INSPECTION END

Diagnosis Procedure

INFOID:000000005782644

WARNING:

- Before servicing, turn ignition switch OFF, disconnect battery negative terminal, and wait at least 3 minutes or more. (To discharge backup capacitor.)
- Never use unspecified tester or other measuring device.

1. PERFORM COLLISION DIAGNOSIS

Perform collision diagnosis. Refer to [SR-7. "FOR SIDE AND ROLLOVER COLLISION : When SRS is activated in a collision"](#) or [SR-8. "FOR SIDE AND ROLLOVER COLLISION : When SRS is not activated in a collision"](#).

Is collision diagnosis complete?

- YES >> GO TO 2.
NO >> INSPECTION END

2. FINAL INSPECTION

Perform "AIR BAG" Self Diagnostic Result.

Is the inspection result normal?

- YES >> INSPECTION END
NO >> Perform diagnosis of applicable DTC. Refer to [SRC-129. "DTC Index"](#).

DIAGNOSIS SENSOR UNIT

< ECU DIAGNOSIS INFORMATION >

ECU DIAGNOSIS INFORMATION

DIAGNOSIS SENSOR UNIT

DTC Index

INFOID:000000005656592

Diagnostic item	Explanation	Reference page
NO DTC IS DETECTED	When malfunction is indicated by the "AIR BAG" warning lamp in User mode	<p>Low battery voltage (Less than 9 V)</p> <p>SRC-26, "DTC Logic".</p> <ul style="list-style-type: none"> Self-diagnosis result "SELF-DIAG [PAST]" (previously stored in the memory) might not be erased after repair Intermittent malfunction has been detected in the past <p>SRC-14, "Air Bag Warning Lamp Diagnosis", SRC-19, "CONSULT-III Function".</p>
	No malfunction is detected	—
CONTROL UNIT [B1001-B1015]	Air bag diagnosis sensor unit is malfunctioning or out of the specified specification	<ul style="list-style-type: none"> SRC-20, "DTC Logic". SRC-22, "DTC Logic". SRC-24, "DTC Logic".
OCCUPANT SENS C/U [UNIT FAIL] [B1017] [B1020] [B1021]	Malfunction occurs in Occupant Classification System control unit	SRC-26, "DTC Logic".
OCCUPANT SENS [UNIT FAIL] [B1018]	Malfunction occurs in Occupant Classification System sensor	SRC-28, "DTC Logic".
OCCUPANT SENS C/U [COMM FAIL] [B1022]	Malfunction occurs in Occupant Classification System control unit, circuit of Occupant Classification System control unit air bag diagnosis sensor unit, or air bag diagnosis sensor unit	SRC-30, "DTC Logic".
PASS A/B INDCTR CKT [B1023]	Front passenger air bag OFF indicator circuit is open or shorted to ground or the circuits are shorted each other	SRC-32, "DTC Logic".
CONTROL UNIT [B1026-B1031]	Air bag diagnosis sensor unit is malfunctioning or out of the specified specification	SRC-34, "DTC Logic".
CRASH ZONE SEN [UNIT FAIL] [B1033] [B1034]	Crash zone sensor is malfunctioning	SRC-36, "DTC Logic".
CRASH ZONE SEN [COMM FAIL] [B1035] [UNMATCH] [B1036]	Crash zone sensor is malfunctioning or out of the specified specification	SRC-38, "DTC Logic".
CONTROL UNIT [B1042-B1047]	Air bag diagnosis sensor unit is malfunctioning or out of the specified specification	SRC-40, "DTC Logic".
DRIVER AIRBAG MODULE [OPEN] [B1049] [B1054]	Driver air bag module circuit is open (including the spiral cable)	SRC-42, "DTC Logic".
DRIVER AIRBAG MODULE [VB-SHORT] [B1050] [B1055]	Driver air bag module circuit is shorted to some power supply circuit (including the spiral cable)	SRC-44, "DTC Logic".
DRIVER AIRBAG MODULE [GND-SHORT] [B1051] [B1056]	Driver air bag module circuit is shorted to ground (including the spiral cable)	SRC-46, "DTC Logic".

DIAGNOSIS SENSOR UNIT

< ECU DIAGNOSIS INFORMATION >

Diagnostic item	Explanation	Reference page
DRIVER AIRBAG MODULE [SHORT] [B1052] [B1057]	Driver air bag module circuits are shorted to each other (including spiral cable)	SRC-48, "DTC Logic".
CONTROL UNIT [B1058-B1063]	Air bag diagnosis sensor unit is malfunctioning or out of the specified specification	SRC-50, "DTC Logic".
ASSIST A/B MODULE [OPEN] [B1065] [B1070]	Front passenger air bag module circuit is open	SRC-52, "DTC Logic".
ASSIST A/B MODULE [VB-SHORT] [B1066] [B1071]	Front passenger air bag module circuit is shorted to some power supply circuit	SRC-54, "DTC Logic".
ASSIST A/B MODULE [GND-SHORT] [B1067] [B1072]	Front passenger air bag module circuit is shorted to ground	SRC-56, "DTC Logic".
ASSIST A/B MODULE [SHORT] [B1068] [B1073]	Front passenger air bag module circuits are shorted to each other	SRC-58, "DTC Logic".
CONTROL UNIT [B1074-B1079]	Air bag diagnosis sensor unit is malfunctioning or out of the specified specification	SRC-60, "DTC Logic".
PRE-TEN FRONT RH [OPEN] [B1081]	Front RH seat belt pre-tensioner circuit is open	SRC-62, "DTC Logic".
PRE-TEN FRONT RH [VB-SHORT] [B1082]	Front RH seat belt pre-tensioner circuit is shorted to some power supply circuit	SRC-64, "DTC Logic".
PRE-TEN FRONT RH [GND-SHORT] [B1083]	Front RH seat belt pre-tensioner circuit is shorted to ground	SRC-66, "DTC Logic".
PRE-TEN FRONT RH [SHORT] [B1084]	Front RH seat belt pre-tensioner circuits are shorted to each other	SRC-68, "DTC Logic".
PRE-TEN FRONT LH [OPEN] [B1086]	Front LH seat belt pre-tensioner circuit is open	SRC-70, "DTC Logic".
PRE-TEN FRONT LH [VB-SHORT] [B1087]	Front LH seat belt pre-tensioner circuit is shorted to some power supply circuit	SRC-72, "DTC Logic".
PRE-TEN FRONT LH [GND-SHORT] [B1088]	Front LH seat belt pre-tensioner circuit is shorted to ground	SRC-74, "DTC Logic".
PRE-TEN FRONT LH [SHORT] [B1089]	Front LH seat belt pre-tensioner circuits are shorted to each other	SRC-76, "DTC Logic".
CONTROL UNIT [B1106-B1111]	Air bag diagnosis sensor unit is malfunctioning or out of the specified specification	SRC-78, "DTC Logic".
SATELLITE SENS RH [UNIT FAIL] [B1113] [B1114]	RH satellite sensor is malfunctioning	SRC-80, "DTC Logic".

DIAGNOSIS SENSOR UNIT

< ECU DIAGNOSIS INFORMATION >

Diagnostic item	Explanation	Reference page	
SATELLITE SENS RH [COMM FAIL] [B1115] [UNMATCH] [B1116]	RH satellite sensor is malfunctioning or out of the specified specification	SRC-82, "DTC Logic" .	A
SATELLITE SENS LH [UNIT FAIL] [B1118] [B1119]	LH satellite sensor is malfunctioning	SRC-84, "DTC Logic" .	B
SATELLITE SENS LH [COMM FAIL] [B1120] [UNMATCH] [B1121]	LH satellite sensor is malfunctioning or out of the specified specification	SRC-86, "DTC Logic" .	C
CONTROL UNIT [B1122-B1127]	Air bag diagnosis sensor unit is malfunctioning or out of the specified specification	SRC-88, "DTC Logic" .	D
SIDE MODULE RH [OPEN] [B1129]	Front RH side air bag module circuit is open	SRC-90, "DTC Logic" .	E
SIDE MODULE RH [VB-SHORT] [B1130]	Front RH side air bag module circuit is shorted to some power supply circuit	SRC-92, "DTC Logic" .	F
SIDE MODULE RH [GND-SHORT] [B1131]	Front RH side air bag module circuit is shorted to ground	SRC-94, "DTC Logic" .	G
SIDE MODULE RH [SHORT] [B1132]	Front LH seat belt pre-tensioner circuits are shorted to each other	SRC-96, "DTC Logic" .	SRC
SIDE MODULE LH [OPEN] [B1134]	Front LH side air bag module circuit is open	SRC-98, "DTC Logic" .	I
SIDE MODULE LH [VB-SHORT] [B1135]	Front LH side air bag module circuit is shorted to some power supply circuit	SRC-100, "DTC Logic" .	J
SIDE MODULE LH [GND-SHORT] [B1136]	Front LH side air bag module circuit is shorted to ground	SRC-102, "DTC Logic" .	K
SIDE MODULE LH [SHORT] [B1137]	Front LH side air bag module circuits are shorted to each other	SRC-104, "DTC Logic" .	L
CURTAIN MODULE RH [OPEN] [B1145]	RH side curtain air bag module circuit is open	SRC-108, "DTC Logic" .	M
CURTAIN MODULE RH [VB-SHORT] [B1146]	RH side curtain air bag module circuit is shorted to some power supply circuit	SRC-110, "DTC Logic" .	N
CURTAIN MODULE RH [GND-SHORT] [B1147]	RH side curtain air bag module circuit is shorted to ground	SRC-112, "DTC Logic" .	O
CURTAIN MODULE RH [SHORT] [B1148]	RH side curtain air bag module circuits are shorted to each other	SRC-114, "DTC Logic" .	P
CURTAIN MODULE LH [OPEN] [B1150]	LH side curtain air bag module circuit is open	SRC-116, "DTC Logic" .	

DIAGNOSIS SENSOR UNIT

< ECU DIAGNOSIS INFORMATION >

Diagnostic item	Explanation	Reference page
CURTAIN MODULE LH [VB-SHORT] [B1151]	LH side curtain air bag module circuit is shorted to some power supply circuits	SRC-118, "DTC Logic" .
CURTAIN MODULE LH [GND-SHORT] [B1152]	LH side curtain air bag module circuit is shorted to ground	SRC-120, "DTC Logic" .
CURTAIN MODULE LH [SHORT] [B1153]	LH side curtain air bag module circuits are shorted to each other	SRC-122, "DTC Logic" .
CONTROL UNIT [B1202-B1207]	Air bag diagnosis sensor unit is malfunctioning or out of the specified specification	SRC-124, "DTC Logic" .
FRONTAL COLLISION DETECTION [B1209]	Front seat belt pre-tensioner and front air bag is deployed	SRC-126, "DTC Logic" .
SIDE COLLISION DE- TECTION [B1210]	Front side air bag and side curtain air bag are deployed	SRC-128, "DTC Logic" .

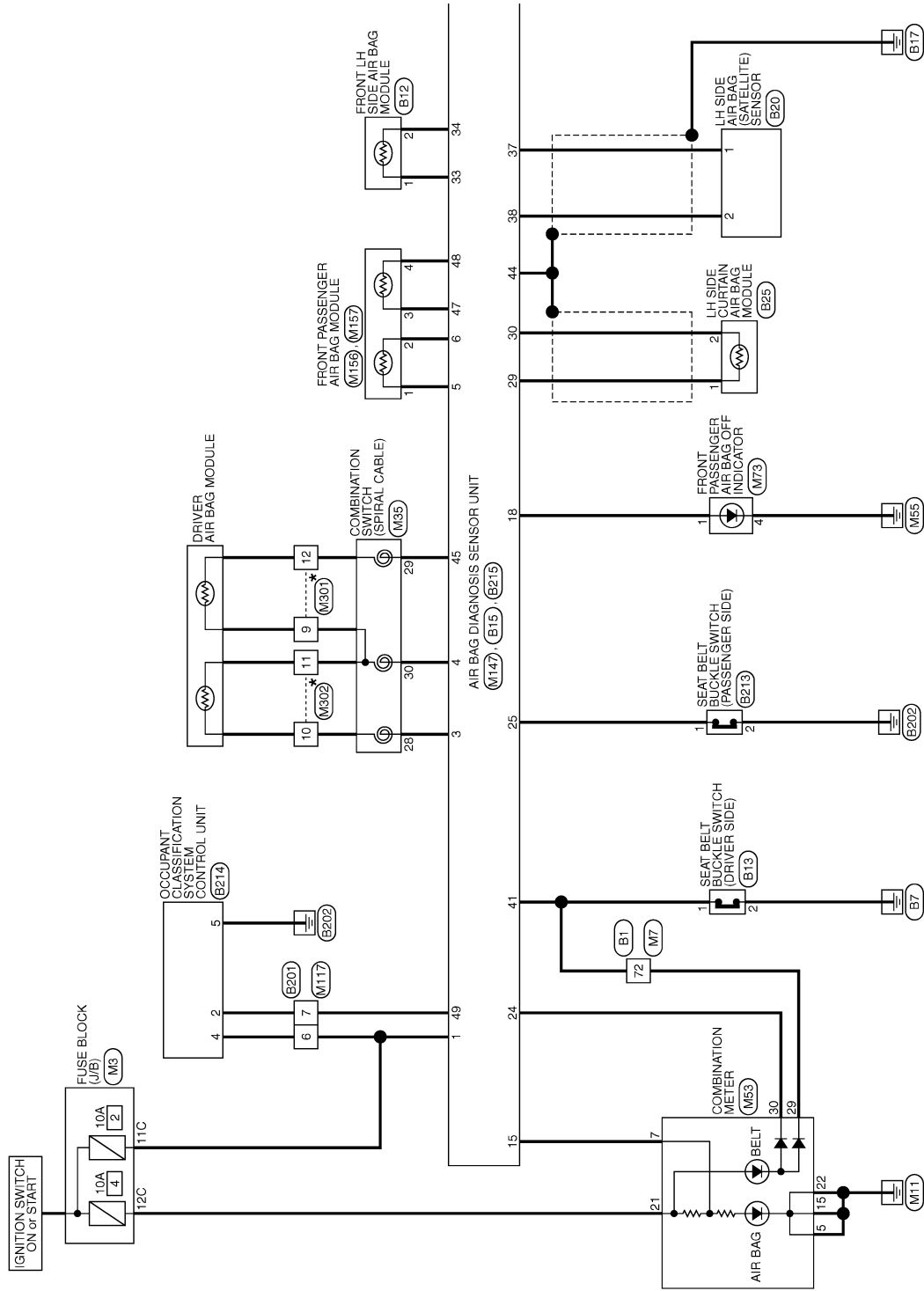
DIAGNOSIS SENSOR UNIT

< ECU DIAGNOSIS INFORMATION >

Wiring Diagram - SRS AIR BAG CONTROL SYSTEM -

INFOID:000000005656593

SRS AIR BAG CONTROL SYSTEM



*: This connector is not shown in "Harness Layout".

2009/11/05

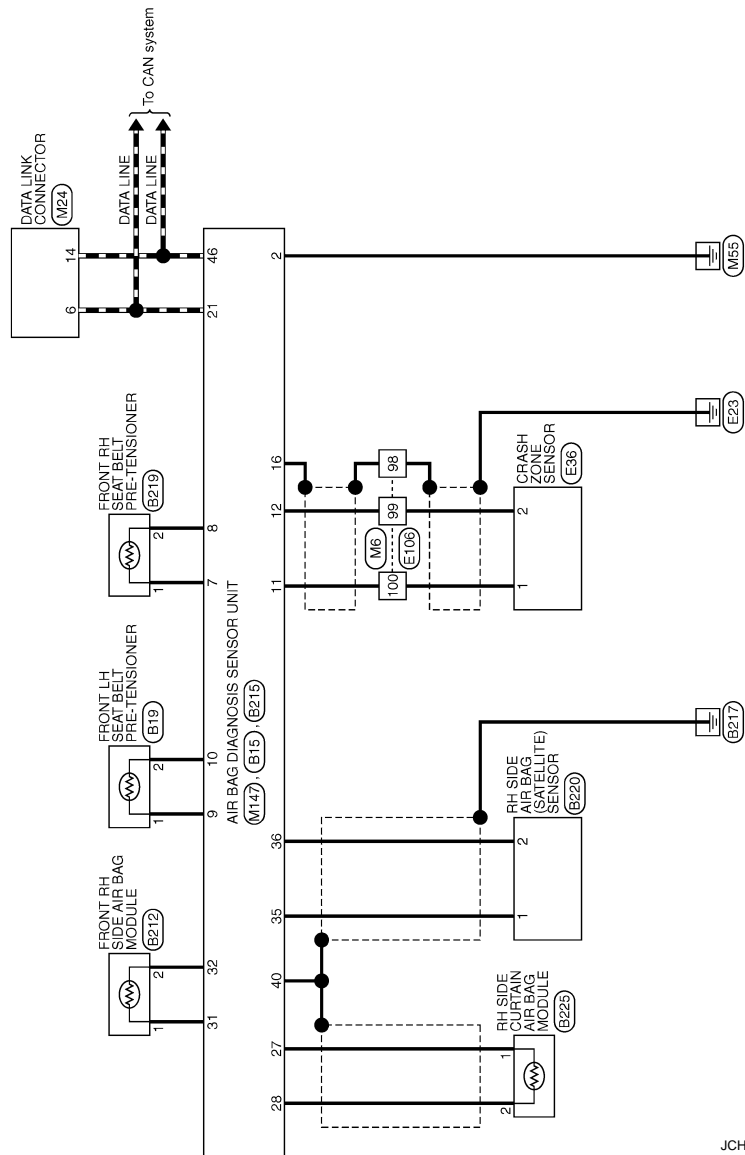
JCHWM0601GI

A
B
C
D
E
F
G
H
I
J
K
L
M
N
O
P

SRC

DIAGNOSIS SENSOR UNIT

< ECU DIAGNOSIS INFORMATION >



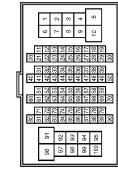
JCHWM0602GI

DIAGNOSIS SENSOR UNIT

< ECU DIAGNOSIS INFORMATION >

SRS AIR BAG CONTROL SYSTEM

Connector No.	B1
Connector Name	WIRE TO WIRE
Connector Type	TH80FW-CS16-TM4



Terminal No.	Color of Wire	Signal Name [Specification]
1	BG	
2	G	
3	W	
5	Y	
6	SB	
7	G	
8	Y	
9	GR	
10	R	
14	V	
15	BR	
16	LG	
17	W	
20	L	
21	P	
22	L	
23	P	
31	L	
32	P	
33	LG	
34	V	
36	V	
38	SB	
37	SHIELD	
38	W	
40	BR	
41	Y	
42	SHIELD	
43	P	
44	L	
45	SHIELD	
46	R	
47	G	
48	SHIELD	
49	SB	
51	P	
52	G	
53	GR	

54	V	
55	LG	
56	GR	
57	SB	
58	G	
60	Y	
61	L	
62	BR	
63	W	
64	R	
65	L	
66	Y	
67	SHIELD	
71	V	
72	GR	
73	P	
74	L	
75	BR	
76	SB	
80	Y	
81	R	
82	B	
95	V	

Connector No.	B12
Connector Name	FRONT LH SIDE AIR BAG MODULE
Connector Type	TK02FY-EX-IV



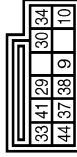
Terminal No.	Color of Wire	Signal Name [Specification]
1	Y	
2	Y	

Connector No.	B13
Connector Name	SEAT BELT BUCKLE SWITCH (DRIVER SIDE)
Connector Type	A03FW



Terminal No.	Color of Wire	Signal Name [Specification]
1	GR	
2	B	

Connector No.	B15
Connector Name	AIR BAG DIAGNOSIS SENSOR UNIT
Connector Type	TK12FY-2V-EX



Terminal No.	Color of Wire	Signal Name [Specification]
9	Y	PLH I (+)
10	Y	PLH I (-)
29	G	CLH (+)
30	R	CLH (-)
33	Y	SLH (+)
34	Y	SLH (-)
37	P	SATELLITE LH (+)
38	L	SATELLITE LH (-)
41	SB	LH BUCKLE SW INPUT
44	SHIELD	GND

Connector No.	B19
Connector Name	FRONT LH SEAT BELT PRE-TENSIONER
Connector Type	IAG02FY



Terminal No.	Color of Wire	Signal Name [Specification]
1	Y	
2	Y	

Connector No.	B20
Connector Name	LH SIDE AIR BAG (SATELLITE) SENSOR
Connector Type	HK02FY-IV-EX-LC



Terminal No.	Color of Wire	Signal Name [Specification]
1	P	
2	L	

Connector No.	B25
Connector Name	LH SIDE CURTAIN AIR BAG MODULE
Connector Type	IAG02FOR



Terminal No.	Color of Wire	Signal Name [Specification]
1	G	
2	R	

A
B
C
D
E
F
G
H
I
J
K
L
M
N
O
P

SRC

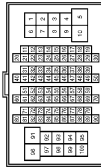
JCHWM0603GI

DIAGNOSIS SENSOR UNIT

< ECU DIAGNOSIS INFORMATION >

SRS AIR BAG CONTROL SYSTEM

Connector No.	B201
Connector Name	WIRE TO WIRE
Connector Type	THB02FY-CS16-TM4



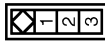
Terminal No.	Color of Wire	Signal Name [Specification]
4	BG	-
5	Y	-
6	R	-
7	V	-
8	LG	-
10	R	-
40	V	-
41	G	-
42	R	-
43	W	-
44	B	-
45	SHIELD	-
46	O	-
47	BR	-
48	Y	-
49	SHIELD	-
50	SB	-
73	GR	-
74	LG	-
75	BG	-
76	V	-
77	SB	-
78	L	-
79	P	-
84	R	-
85	P	-
86	G	-
87	SHIELD	-
88	Y	-
89	G	-
90	SHIELD	-
91	G	-
92	G	-
93	GR	-
94	BG	-
95	W	-
97	BR	-
98	V	-

Connector No.	B212
Connector Name	FRONT RH SIDE AIR BAG MODULE
Connector Type	TK02FY-EX-TV



Terminal No.	Color of Wire	Signal Name [Specification]
1	Y	-
2	Y	-

Connector No.	B213
Connector Name	SEAT BELT BUCKLE SWITCH (PASSENGER SIDE)
Connector Type	TA03FW



Terminal No.	Color of Wire	Signal Name [Specification]
1	LG	-
2	B	-

Connector No.	B214
Connector Name	OCCUPANT CLASSIFICATION SYSTEM CONTROL UNIT
Connector Type	TH08FW-NH



Terminal No.	Color of Wire	Signal Name [Specification]
4	R	IGN COMMUNICATION

5	B	GND
---	---	-----

Connector No.	B215
Connector Name	AIR BAG DIAGNOSIS SENSOR UNIT
Connector Type	TK12FY-IV-EX



Terminal No.	Color of Wire	Signal Name [Specification]
7	Y	PRH L (+)
8	Y	PRH L (-)
25	LG	RH BUCKLE SW INPUT
27	P	CRN (+)
28	L	CRN (-)
31	Y	SRH (+)
32	Y	SRH (-)
35	G	SATELLITE RH (+)
36	R	SATELLITE RH (-)
40	SHIELD	GND

Connector No.	B219
Connector Name	FRONT RH SEAT BELT PRE-TENSIONER
Connector Type	ACB02FY



Terminal No.	Color of Wire	Signal Name [Specification]
1	Y	-
2	Y	-

Connector No.	B220
Connector Name	RH SIDE AIR BAG (SATELLITE) SENSOR
Connector Type	HK02FY-IV-EX-LC



Terminal No.	Color of Wire	Signal Name [Specification]
1	G	-
2	R	-

Connector No.	B225
Connector Name	RH SIDE CURTAIN AIR BAG MODULE
Connector Type	ACB02FY



Terminal No.	Color of Wire	Signal Name [Specification]
1	P	-
2	L	-

Connector No.	E26
Connector Name	CRASH ZONE SENSOR
Connector Type	HK02FY-IV-EX-LC



Terminal No.	Color of Wire	Signal Name [Specification]
1	P	-
2	L	-

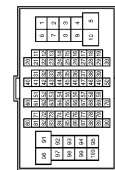
JCHWM0604GI

DIAGNOSIS SENSOR UNIT

< ECU DIAGNOSIS INFORMATION >

SRS AIR BAG CONTROL SYSTEM

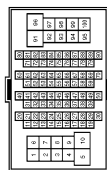
Connector No.	E106
Connector Name	WIRE TO WIRE
Connector Type	TH80PV-CS16-TM4



67	SR	-	-
68	IR	-	-
69	W	-	-
70	G	-	-
80	W	-	-
81	P	-	-
82	G	-	-
83	V	-	-
84	L	-	-
85	BG	-	-
86	LG	-	-
87	Y	-	-
88	GR	-	-
89	W	-	-
91	G	-	-
93	GR	-	-
95	G	-	-
96	Y	-	-
97	BR	-	-
98	SHIELD	-	-
99	L	-	-
100	P	-	-



Connector No.	M6
Connector Name	WIRE TO WIRE
Connector Type	TH82MW-CS16-TM4

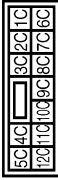


66	GR	-	-
67	P	-	-
68	L	-	-
69	W	-	-
70	BR	-	-
80	L	-	-
81	R	-	-
82	V	-	-
83	W	-	-
84	L	-	-
85	BG	-	-
86	W	-	-
87	G	-	-
88	B	-	-
89	SB	-	-
91	L	-	-
93	Y	-	-
95	Y	-	-
96	R	-	-
97	P	-	-
98	SHIELD	-	-
99	V	-	-
100	SB	-	-

DIAGNOSIS SENSOR UNIT

Terminal No.	Color of Wire	Signal Name [Specification]
1	GR	-
3	BG	-
5	G	-
6	BG	-
7	LG	-
10	W	-
11	V	-
12	R	-
13	L	-
14	GR	-
15	P	-
16	W	-
17	V	-
18	BG	-
19	GR	-
20	LG	-
30	R	-
31	L	-
32	BG	-
33	P	-
34	V	-
35	BR	-
36	W	-
37	Y	-
38	R	-
39	B	-
40	G	-
41	W	-
42	LG	-
43	SB	-
44	GR	-
45	BG	-
46	LG	-
47	V	-
48	P	-
49	L	-
50	B	-
59	LG	-

Connector No.	M3
Connector Name	FUSE BLOCK (J/B)
Connector Type	NS12FY-CS



Terminal No.	Color of Wire	Signal Name [Specification]
1	BG	-
3	R	-
5	G	-
6	L	-
7	W	-
10	W	-
11	V	-
12	R	-
13	L	-
14	GR	-
15	P	-
16	W	-
17	BR	-
18	BG	-
19	L	-
20	L	-
30	R	-
31	SB	-
32	Y	-
33	BG	-
34	R	-
35	BR	-
36	SB	-
37	Y	-
38	LG	-
39	SB	-
40	P	-
41	W	-
42	LG	-
43	R	-
44	Y	- [With A/T]
44	P	- [With M/T]
45	BG	-
46	G	-
47	V	-
48	P	-
49	L	-
59	B	-

Terminal No.	Color of Wire	Signal Name [Specification]
8C	V	-
7C	B	-
8C	W	-
9C	BG	-
10C	L	-
11C	LG	-
12C	GR	-

JCHWM0605GI

A
B
C
D
E
F
G
H
I
J
K
L
M
N
O
P

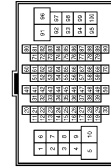
SRC

DIAGNOSIS SENSOR UNIT

< ECU DIAGNOSIS INFORMATION >

SRS AIR BAG CONTROL SYSTEM

Connector No.	M7
Connector Name	WIRE TO WIRE
Connector Type	TH00MW-CS16-TM4



Terminal No.	Color of Wire	Signal Name [Specification]
1	BG	-
2	LG	-
3	BG	-
5	Y	-
6	P	-
7	G	-
8	L	-
9	V	-
10	R	-
14	R	-
15	BR	-
16	P	-
17	V	-
20	L	-
21	P	-
22	L	-
23	P	-
31	L	-
32	P	-
33	LG	-
34	SB	-
35	V	-
36	LG	-
37	SHIELD	-
38	GR	-
40	BR	-
41	Y	-
42	SHIELD	-
43	O	-
44	W	-
45	SHIELD	-
46	R	-
47	G	-
48	SHIELD	-
49	SB	-
51	W	-
52	B	-
53	SB	-

Connector No.	M35
Connector Name	COMBINATION SWITCH (SPIRAL CABLE)
Connector Type	TK06FY-EX-1V



Terminal No.	Color of Wire	Signal Name [Specification]
23	R	-
28	Y	-
29	Y	-
30	Y	-

Connector No.	M53
Connector Name	COMBINATION METER
Connector Type	SA040FW



Terminal No.	Color of Wire	Signal Name [Specification]
1	V	BATTERY
2	LG	COMMUNICATION SIGNAL (METER->AMP)
3	GR	COMMUNICATION SIGNAL (AMP->METER)
3	B	GROUND
6	W	ALTERNATOR SIGNAL
7	LG	AIR BAG SECURITY
10	P	GROUND
15	B	GROUND
16	W	METER CONTROL SWITCH GROUND
18	GR	ILL GND
19	B	ILL GND
20	R	ILL
21	GR	IGNITION POWER SUPPLY
22	B	GROUND
24	BR	COMMUNICATION SIGNAL (LCD->AMP)
25	Y	COMMUNICATION SIGNAL (AMP->LCD)
26	G	VEHICLE SPEED (R-PULSE)
27	BG	PARKING BRAKE SWITCH

28	L	BRAKE FLUID LEVEL SWITCH
29	LG	SEAT BELT BUCKLE SW (DRIVER SIDE)
30	G	SEAT BELT
31	L	WASHER LEVEL SWITCH
33	R	ILLUMINATION CONTROL
36	LG	SELECT SWITCH
37	SB	ENTER SWITCH
38	L	TRIP A/B RESET SWITCH
39	P	ILLUMINATION CONTROL SWITCH (-)
40	BG	ILLUMINATION CONTROL SWITCH (+)

Connector No.	M73
Connector Name	FRONT PASSENGER AIR BAG OFF INDICATOR
Connector Type	TH00MW-NH



Terminal No.	Color of Wire	Signal Name [Specification]
1	R	-
4	B	-

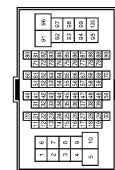
JCHWM0606GI

DIAGNOSIS SENSOR UNIT

< ECU DIAGNOSIS INFORMATION >

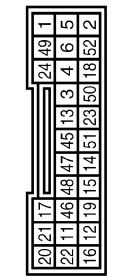
SRS AIR BAG CONTROL SYSTEM

Connector No.	M117
Connector Name	WIRE TO WIRE
Connector Type	TH80MW-CS (E-TM4)



Terminal No.	Color of Wire	Signal Name [Specification]
4	R	-
5	Y	-
6	R	-
7	L	-
8	LG	-
10	R	-
40	W	-
41	W	-
42	B	-
43	R	-
44	G	-
45	SHIELD	-
46	G	-
47	L	-
48	P	-
49	SHIELD	-
50	Y	-
73	Y	-
74	G	-
75	LG	-
76	LG	-
77	SB	-
78	SB	-
79	LG	-
84	R	-
85	V	-
86	G	-
87	SHIELD	-
88	L	-
89	P	-
90	SHIELD	-
91	G	-
92	G	-
93	GR	-
94	SB	-
95	Y	-
97	LG	-
98	Y	-

Connector No.	M147
Connector Name	AIR BAG DIAGNOSIS SENSOR UNIT
Connector Type	TK28FY-EX-SC



Terminal No.	Color of Wire	Signal Name [Specification]
1	LG	IGN
2	B	GND
3	Y	DR1 (+)
4	Y	DR 1 (-) DR 2 (-)
5	Y	AST (-)
6	Y	AST (+)
11	SB	ECZS (+)
12	V	ECZS (-)
15	LG	AIR BAG W/L
16	SHIELD	GND
18	R	CUTOFF TELLTALE
21	L	CAN-H
24	G	SEAT BELT
45	Y	DR 2 (+)
46	P	CAN-L
47	Y	AS 2 (+)
48	Y	AS 2 (-)
49	L	ODS INPUT

Connector No.	M156
Connector Name	FRONT PASSENGER AIR BAG MODULE
Connector Type	JCA02FB



Terminal No.	Color of Wire	Signal Name [Specification]
1	Y	-
2	Y	-

Connector No.	M157
Connector Name	FRONT PASSENGER AIR BAG MODULE
Connector Type	JCA02FOR



Terminal No.	Color of Wire	Signal Name [Specification]
3	Y	-
4	Y	-

Connector No.	M001
Connector Name	DRIVER AIR BAG MODULE
Connector Type	ACA02FOR



Terminal No.	Color of Wire	Signal Name [Specification]
9	-	-
12	-	-

Connector No.	M002
Connector Name	DRIVER AIR BAG MODULE
Connector Type	ACA02FY-2V



Terminal No.	Color of Wire	Signal Name [Specification]
10	-	-
11	-	-

JCHWM0607GI

A
B
C
D
E
F
G
SRC
I
J
K
L
M
N
O
P

SRS AIR BAG WARNING LAMP DOES NOT TURN OFF

< SYMPTOM DIAGNOSIS >

SYMPTOM DIAGNOSIS

SRS AIR BAG WARNING LAMP DOES NOT TURN OFF

Diagnosis Procedure

INFOID:000000005656594

1. CHECK FRONT AIR BAG MODULE

Check the deployment of front air bag module.

Is air bag module deployed?

YES >> Refer to [SR-11](#) or [SR-17, "Exploded View"](#).

NO >> GO TO 2.

2. CHECK AIR BAG FUSE

Check the air bag fuse. Refer to [PG-116, "Fuse and Fusible Link Arrangement"](#).

Is 10A fuse [No.2, located in fuse block (J/B)] normal?

YES >> GO TO 4.

NO >> GO TO 3.

3. CHECK AIR BAG FUSE AGAIN

Replace air bag fuse and turn ignition switch ON.

Did the air bag fuse blow again?

YES >> Repair or replace main harness.

NO >> **INSPECTION END**

4. CHECK DIAGNOSIS SENSOR UNIT

Check the screen of CONSULT-III.

Is the inspection result normal?

YES >> GO TO 5.

NO >> Replace diagnosis sensor unit (ACU). Refer to [SR-23, "Exploded View"](#).

5. CHECK HARNESS CONNECTION

Check harness connection between air bag warning lamp and diagnosis sensor unit.

Is the inspection result normal?

YES >> Check the intermittent incident. Refer to [GI-38, "Intermittent Incident"](#).

NO >> Replace wiring harness connector.

SRS AIR BAG WARNING LAMP DOES NOT TURN ON

< SYMPTOM DIAGNOSIS >

SRS AIR BAG WARNING LAMP DOES NOT TURN ON

Diagnosis Procedure

INFOID:000000005656595

"SRS AIR BAG" Warning Lamp Does Not Turn ON

1. CHECK METER FUSE

Check the meter fuse. Refer to [PG-116, "Fuse and Fusible Link Arrangement"](#).

Is 10A fuse [No.4, located in fuse block (J/B)] normal?

YES >> GO TO 3.

NO >> GO TO 2.

2. CHECK METER FUSE AGAIN

Replace 10A fuse [No.4, located in fuse block (J/B)] and turn ignition switch ON.

Did the meter fuse blow again?

YES >> Repair or replace the related harness.

NO >> **INSPECTION END**

3. CHECK HARNESS CONNECTION

1. Check harness connection between diagnosis sensor unit and combination meter.

2. Disconnect diagnosis sensor unit connector and turn ignition switch ON.

Did air bag warning lamp turn ON?

YES >> Replace diagnosis sensor unit (ACU). Refer to [SR-23, "Exploded View"](#).

NO >> Replace combination meter assembly. Refer to [MWI-129, "Removal and Installation"](#).

A

B

C

D

E

F

G

SRC

I

J

K

L

M

N

O

P

PASSENGER SEAT BELT WARNING SYSTEM

< SYMPTOM DIAGNOSIS >

PASSENGER SEAT BELT WARNING SYSTEM

Diagnosis Procedure

INFOID:000000005656596

1.CHECK THE SYSTEM 1

Check the seat belt warning lamp function.

Seat belt warning lamp turns ON in the following conditions.

- Driver seat belt is fastened.
- Occupant is on passenger seat.
- Passenger seat belt is not fastened.

Is the inspection result normal?

YES >> GO TO 2.

NO >> Check the followings.

- Harness between air bag diagnosis sensor unit and combination meter.
- Seat belt buckle switch (passenger side) circuit.
- Seat belt buckle switch (passenger side).

If these are OK, replace air bag diagnosis sensor unit.

2.CHECK THE SYSTEM 2

Check the seat belt warning lamp function.

Seat belt warning lamp turns OFF in the following conditions.

- Driver seat belt is fastened.
- Occupant is on passenger seat.
- Passenger seat belt is fastened.

Is the inspection result normal?

YES >> System is OK.

NO >> Check the followings.

- Seat belt buckle switch (passenger side) circuit.
- Seat belt buckle switch (passenger side).

If these are OK, replace air bag diagnosis sensor unit.

PRECAUTIONS

< PRECAUTION >

PRECAUTION

PRECAUTIONS

Precaution for Supplemental Restraint System (SRS) "AIR BAG" and "SEAT BELT PRE-TENSIONER"

INFOID:000000005656597

The Supplemental Restraint System such as "AIR BAG" and "SEAT BELT PRE-TENSIONER", used along with a front seat belt, helps to reduce the risk or severity of injury to the driver and front passenger for certain types of collision. This system includes seat belt switch inputs and dual stage front air bag modules. The SRS system uses the seat belt switches to determine the front air bag deployment, and may only deploy one front air bag, depending on the severity of a collision and whether the front occupants are belted or unbelted. Information necessary to service the system safely is included in the "SRS AIR BAG" and "SEAT BELT" of this Service Manual.

WARNING:

- To avoid rendering the SRS inoperative, which could increase the risk of personal injury or death in the event of a collision which would result in air bag inflation, all maintenance must be performed by an authorized NISSAN/INFINITI dealer.
- Improper maintenance, including incorrect removal and installation of the SRS, can lead to personal injury caused by unintentional activation of the system. For removal of Spiral Cable and Air Bag Module, see the "SRS AIR BAG".
- Do not use electrical test equipment on any circuit related to the SRS unless instructed to in this Service Manual. SRS wiring harnesses can be identified by yellow and/or orange harnesses or harness connectors.

PRECAUTIONS WHEN USING POWER TOOLS (AIR OR ELECTRIC) AND HAMMERS

WARNING:

- When working near the Air Bag Diagnosis Sensor Unit or other Air Bag System sensors with the ignition ON or engine running, DO NOT use air or electric power tools or strike near the sensor(s) with a hammer. Heavy vibration could activate the sensor(s) and deploy the air bag(s), possibly causing serious injury.
- When using air or electric power tools or hammers, always switch the ignition OFF, disconnect the battery, and wait at least 3 minutes before performing any service.

Service

INFOID:000000005656598

- Do not use electrical test equipment to check SRS circuits unless instructed to in this Service Manual.
- Before servicing the SRS, turn ignition switch OFF, disconnect both battery cables and wait at least 3 minutes. For approximately 3 minutes after the cables are removed, it is still possible for the air bag and seat belt pretensioner to deploy. Therefore, do not work on any SRS connectors or wires until at least 3 minutes have elapsed.
- Diagnosis sensor unit must always be installed with their arrow marks "⇐" pointing towards the front of the vehicle for proper operation. Also check diagnosis sensor unit for cracks, deformities or rust before installation and replace as required.
- The spiral cable must be aligned in the neutral position since its rotations are limited. Do not turn steering wheel and column after removal of steering gear.
- Handle air bag module carefully. Always place driver and front passenger air bag modules with the pad side facing upward and seat mounted front side air bag module standing with the stud bolt side facing down.
- Conduct self-diagnosis to check entire SRS for proper function after replacing any components.
- After air bag inflates, the front instrument panel assembly should be replaced if damaged.
- Always replace instrument panel pad following front passenger air bag deployment.

Precaution for Battery Service

INFOID:000000005656599

Before disconnecting the battery, lower both the driver and passenger windows. This will prevent any interference between the window edge and the vehicle when the door is opened/closed. During normal operation, the window slightly raises and lowers automatically to prevent any window to vehicle interference. The automatic window function will not work with the battery disconnected.

PRECAUTIONS

< PRECAUTION >

Occupant Classification System

INFOID:000000005656600

- Replace occupant classification system control unit and passenger front seat cushion as an assembly.
Refer to [SE-191, "Removal and Installation"](#).