

WT
SECTION
ROAD WHEELS & TIRES

A
B
C
D

WT

CONTENTS

<p>PRECAUTION 3</p> <p>PRECAUTIONS 3</p> <p style="padding-left: 20px;">Precaution for Supplemental Restraint System (SRS) "AIR BAG" and "SEAT BELT PRE-TENSIONER"3</p> <p style="padding-left: 20px;">Precaution Necessary for Steering Wheel Rotation after Battery Disconnect3</p> <p style="padding-left: 20px;">Service Notice or Precautions4</p> <p>PREPARATION 5</p> <p>PREPARATION 5</p> <p style="padding-left: 20px;">Special Service Tool5</p> <p style="padding-left: 20px;">Commercial Service Tool5</p> <p>SYSTEM DESCRIPTION 6</p> <p>COMPONENT PARTS 6</p> <p style="padding-left: 20px;">Component Parts Location6</p> <p style="padding-left: 20px;">Component Description6</p> <p style="padding-left: 20px;">BCM7</p> <p style="padding-left: 20px;">Transmitter7</p> <p style="padding-left: 20px;">Tire pressure receiver7</p> <p style="padding-left: 20px;">Tire pressure warning check switch7</p> <p style="padding-left: 20px;">Low tire pressure warning lamp7</p> <p>TPMS 8</p> <p style="padding-left: 20px;">System Diagram8</p> <p style="padding-left: 20px;">System Description8</p> <p style="padding-left: 20px;">Fail-safe8</p> <p>DIAGNOSIS SYSTEM (BCM)11</p> <p>COMMON ITEM11</p> <p style="padding-left: 20px;">COMMON ITEM : CONSULT-III Function (BCM - COMMON ITEM) 11</p> <p>AIR PRESSURE MONITOR12</p> <p style="padding-left: 20px;">AIR PRESSURE MONITOR : Diagnosis Description 12</p>	<p style="padding-left: 20px;">AIR PRESSURE MONITOR : CONSULT-III Function (BCM - AIR PRESSURE MONITOR)14</p> <p>ECU DIAGNOSIS INFORMATION15</p> <p>BCM15</p> <p style="padding-left: 20px;">List of ECU Reference15</p> <p>WIRING DIAGRAM16</p> <p>TIRE PRESSURE MONITORING SYSTEM16</p> <p style="padding-left: 20px;">Wiring Diagram16</p> <p>BASIC INSPECTION21</p> <p>DIAGNOSIS AND REPAIR WORK FLOW21</p> <p style="padding-left: 20px;">Work Flow21</p> <p>INSPECTION AND ADJUSTMENT23</p> <p>TRANSMITTER WAKE UP OPERATION23</p> <p style="padding-left: 20px;">TRANSMITTER WAKE UP OPERATION : Description23</p> <p style="padding-left: 20px;">TRANSMITTER WAKE UP OPERATION : Special Repair Requirement23</p> <p>ID REGISTRATION PROCEDURE23</p> <p style="padding-left: 20px;">ID REGISTRATION PROCEDURE : Description23</p> <p style="padding-left: 20px;">ID REGISTRATION PROCEDURE : Special Repair Requirement23</p> <p>DTC/CIRCUIT DIAGNOSIS26</p> <p>C1704, C1705, C1706, C1707 LOW TIRE PRESSURE26</p> <p style="padding-left: 20px;">Description26</p> <p style="padding-left: 20px;">DTC Logic26</p> <p style="padding-left: 20px;">Diagnosis Procedure26</p> <p style="padding-left: 20px;">Special Repair Requirement27</p> <p>C1708, C1709, C1710, C1711 TRANSMITTER28</p> <p style="padding-left: 20px;">DTC Logic28</p>
--	---

F
G
H
I
J
K
L
M
N
O
P

Diagnosis Procedure	28	LOW TIRE PRESSURE WARNING LAMP	
Special Repair Requirement	30	BLINKS	47
C1716, C1717, C1718, C1719 TRANSMITTER		Description	47
... 31		Diagnosis Procedure	47
DTC Logic	31	TURN SIGNAL LAMP BLINKS	49
Diagnosis Procedure	31	Description	49
Special Repair Requirement	32	Diagnosis Procedure	49
C1729 VEHICLE SPEED SIGNAL	33	ID REGISTRATION CANNOT BE COMPLET-	
Description	33	ED	50
DTC Logic	33	Description	50
Diagnosis Procedure	33	Diagnosis Procedure	50
Special Repair Requirement	33	NORMAL OPERATING CONDITION	51
C1734 BCM	35	Description	51
DTC Logic	35	NOISE, VIBRATION AND HARSHNESS	
Diagnosis Procedure	35	(NVH) TROUBLESHOOTING	52
Special Repair Requirement	36	NVH Troubleshooting Chart	52
TIRE PRESSURE RECEIVER	37	PERIODIC MAINTENANCE	53
Component Function Check	37	ROAD WHEEL	53
Diagnosis Procedure	37	Adjustment	53
TIRE PRESSURE WARNING CHECK		REMOVAL AND INSTALLATION	56
SWITCH	39	ROAD WHEEL TIRE ASSEMBLY	56
Component Function Check	39	Exploded View	56
Diagnosis Procedure	39	Removal and Installation	56
LOW TIRE PRESSURE WARNING LAMP	40	Inspection	56
Component Function Check	40	TRANSMITTER	58
Diagnosis Procedure	40	Exploded View	58
POWER SUPPLY AND GROUND CIRCUIT	41	Removal and Installation	58
Diagnosis Procedure	41	TIRE PRESSURE RECEIVER	60
SYMPTOM DIAGNOSIS	42	Exploded View	60
TPMS	42	Removal and Installation	60
Symptom Table	42	SERVICE DATA AND SPECIFICATIONS	
LOW TIRE PRESSURE WARNING LAMP		(SDS)	61
DOES NOT BLINKS	45	SERVICE DATA AND SPECIFICATIONS	
Description	45	(SDS)	61
Diagnosis Procedure	45	Road Wheel	61
LOW TIRE PRESSURE WARNING LAMP		Tire	61
DOES NOT TURN OFF	46		
Description	46		
Diagnosis Procedure	46		

PRECAUTIONS

< PRECAUTION >

PRECAUTION

PRECAUTIONS

Precaution for Supplemental Restraint System (SRS) "AIR BAG" and "SEAT BELT PRE-TENSIONER"

INFOID:000000005843139

The Supplemental Restraint System such as "AIR BAG" and "SEAT BELT PRE-TENSIONER", used along with a front seat belt, helps to reduce the risk or severity of injury to the driver and front passenger for certain types of collision. This system includes seat belt switch inputs and dual stage front air bag modules. The SRS system uses the seat belt switches to determine the front air bag deployment, and may only deploy one front air bag, depending on the severity of a collision and whether the front occupants are belted or unbelted. Information necessary to service the system safely is included in the "SRS AIR BAG" and "SEAT BELT" of this Service Manual.

WARNING:

- To avoid rendering the SRS inoperative, which could increase the risk of personal injury or death in the event of a collision which would result in air bag inflation, all maintenance must be performed by an authorized NISSAN/INFINITI dealer.
- Improper maintenance, including incorrect removal and installation of the SRS, can lead to personal injury caused by unintentional activation of the system. For removal of Spiral Cable and Air Bag Module, see the "SRS AIR BAG".
- Do not use electrical test equipment on any circuit related to the SRS unless instructed to in this Service Manual. SRS wiring harnesses can be identified by yellow and/or orange harnesses or harness connectors.

PRECAUTIONS WHEN USING POWER TOOLS (AIR OR ELECTRIC) AND HAMMERS

WARNING:

- When working near the Air Bag Diagnosis Sensor Unit or other Air Bag System sensors with the ignition ON or engine running, DO NOT use air or electric power tools or strike near the sensor(s) with a hammer. Heavy vibration could activate the sensor(s) and deploy the air bag(s), possibly causing serious injury.
- When using air or electric power tools or hammers, always switch the ignition OFF, disconnect the battery, and wait at least 3 minutes before performing any service.

Precaution Necessary for Steering Wheel Rotation after Battery Disconnect

INFOID:000000005843140

NOTE:

- Before removing and installing any control units, first turn the push-button ignition switch to the LOCK position, then disconnect both battery cables.
- After finishing work, confirm that all control unit connectors are connected properly, then re-connect both battery cables.
- Always use CONSULT-III to perform self-diagnosis as a part of each function inspection after finishing work. If a DTC is detected, perform trouble diagnosis according to self-diagnosis results.

For vehicle with steering lock unit, if the battery is disconnected or discharged, the steering wheel will lock and cannot be turned.

If turning the steering wheel is required with the battery disconnected or discharged, follow the operation procedure below before starting the repair operation.

OPERATION PROCEDURE

1. Connect both battery cables.

NOTE:

Supply power using jumper cables if battery is discharged.

2. Turn the push-button ignition switch to ACC position.
(At this time, the steering lock will be released.)
3. Disconnect both battery cables. The steering lock will remain released with both battery cables disconnected and the steering wheel can be turned.
4. Perform the necessary repair operation.

PRECAUTIONS

< PRECAUTION >

5. When the repair work is completed, re-connect both battery cables. With the brake pedal released, turn the push-button ignition switch from ACC position to ON position, then to LOCK position. (The steering wheel will lock when the push-button ignition switch is turned to LOCK position.)
6. Perform self-diagnosis check of all control units using CONSULT-III.

Service Notice or Precautions

INFOID:000000005653809

- Low tire pressure warning lamp blinks for 1min, then turns ON when occurring any malfunction except low tire pressure. Delete the memory with CONSULT-III, or register the ID to turn low tire pressure warning lamp OFF. Refer to [WT-12, "AIR PRESSURE MONITOR : Diagnosis Description"](#), [WT-23, "ID REGISTRATION PROCEDURE : Special Repair Requirement"](#).
- ID registration is required when replacing or rotating wheels, replacing transmitter or BCM. Refer to [BCS-78, "Exploded View"](#).
- Replace grommet seal, valve core and cap of transmitter in TPMS every tire replacement by reaching wear limit of tire. Refer to [WT-58, "Exploded View"](#).

PREPARATION

< PREPARATION >

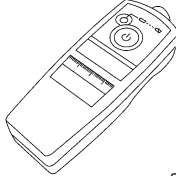
PREPARATION

PREPARATION

Special Service Tool

INFOID:000000005653810

The actual shapes of Kent-Moore tools may differ from those of special service tools illustrated here.

Tool number (Kent-Moore No.) Tool name	Description
- (J-45295) Transmitter activation tool  SEIA0462E	ID registration

A

B

C

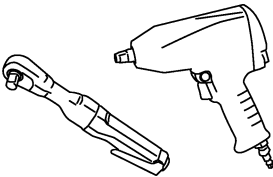
D

WT

F

Commercial Service Tool

INFOID:000000005653811

Tool name	Description
Power tool  PBIC0190E	Loosening wheel nuts

G

H

I

J

K

L

M

N

O

P

COMPONENT PARTS

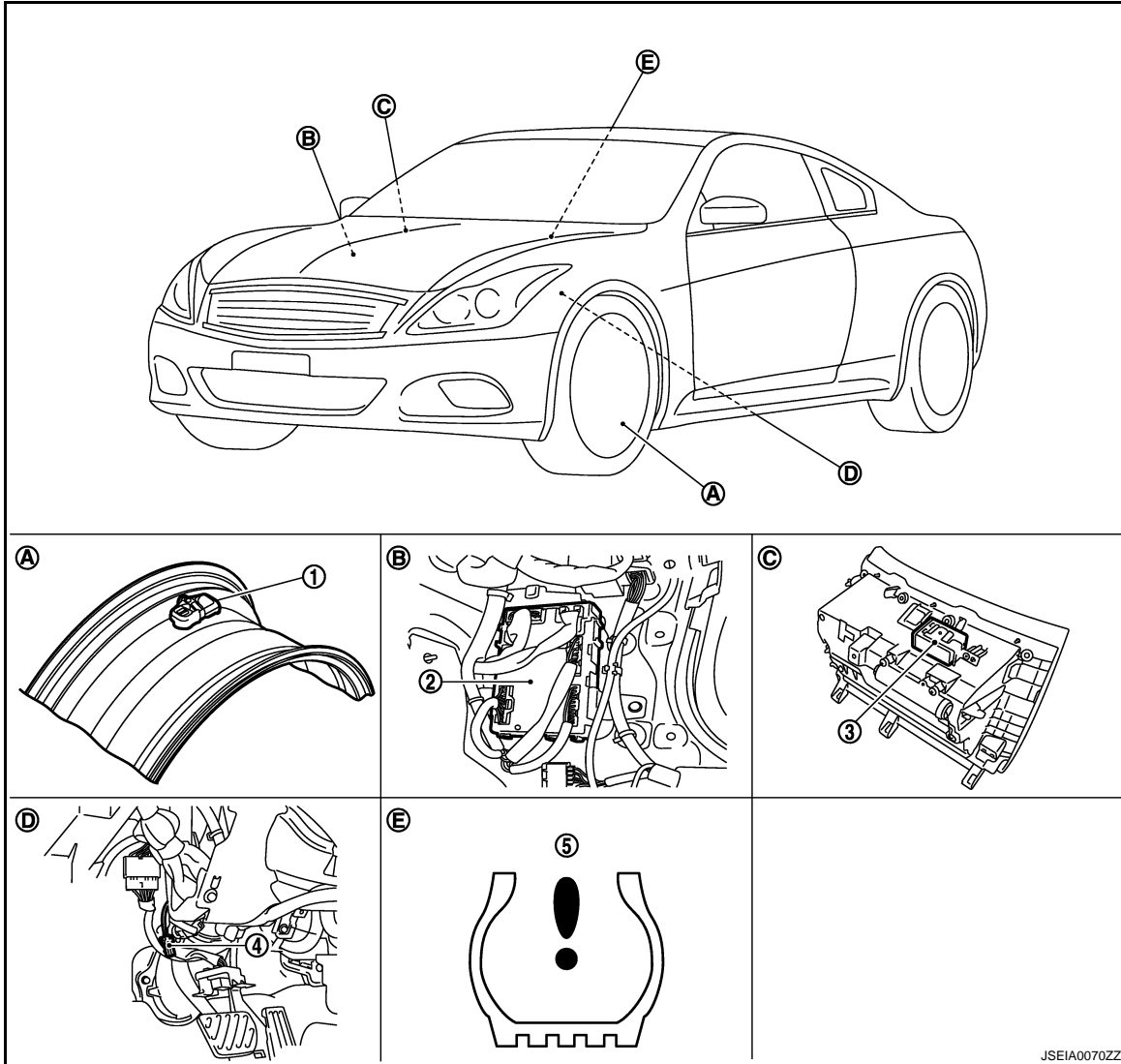
< SYSTEM DESCRIPTION >

SYSTEM DESCRIPTION

COMPONENT PARTS

Component Parts Location

INFOID:000000005653740



- | | | |
|---------------------------------------|-------------------------------------|------------------------------|
| 1. Transmitter | 2. BCM | 3. Tire pressure receiver |
| 4. Tire pressure warning check switch | 5. Low tire pressure warning lamp | |
| A. Wheel | B. Dash side lower (passenger side) | C. Instrument lower panel RH |
| D. Behind instrument lower panel LH | E. Inside combination meter | |

Component Description

INFOID:000000005853037

Component parts	Function
BCM (Body Control Module)	WT-7. "BCM".
Transmitter	WT-7. "Transmitter".
Tire pressure receiver	WT-7. "Tire pressure receiver".
Tire pressure warning check switch	WT-7. "Tire pressure warning check switch".
Turn signal lamp	ID registration of each wheel has been completed, turn signal lamp flashes.

COMPONENT PARTS

< SYSTEM DESCRIPTION >

Component parts	Function
Unified meter and A/C amp.	Transmits the vehicle speed signal via CAN communication to BCM.
	Receives the following signals via CAN communication for BCM. <ul style="list-style-type: none"> • Low tire pressure warning lamp signal • Hazard lamp signal • Buzzer signal
Low tire pressure warning lamp	WT-7. "Low tire pressure warning lamp"

BCM

INFOID:000000005853038

The BCM reads the air pressure signal received by the tire pressure receiver, and controls the low tire pressure warning lamp and the buzzer operations. It also has a judgment function to detect a system malfunction.

Transmitter

INFOID:000000005853039

The transmitter integrated with a valve is installed on a wheel, and transmits a detected air pressure signal by radio wave.

Tire pressure receiver

INFOID:000000005853040

The tire pressure receiver receives the air pressure signal transmitted by the transmitter in each wheel.

Tire pressure warning check switch

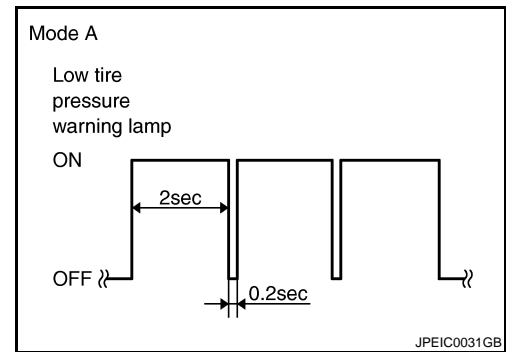
INFOID:000000005853041

Self-diagnosis can be performed by short-circuiting the tire pressure warning check switch to the ground. (Self-diagnosis indicates the location of the malfunction by the blinking of the low tire pressure warning lamp on the combination meter.)

NOTE:

If low tire pressure warning lamp blinks as shown in the figure, the system is normal.

- This mode shows transmitter status is in OFF-mode.
Perform transmitter wake up operation. Refer to [WT-23. "TRANSMITTER WAKE UP OPERATION : Special Repair Requirement"](#).



Low tire pressure warning lamp

INFOID:000000005853042

The combination meter receives tire pressure status from the unified meter and A/C amp. via CAN communication.

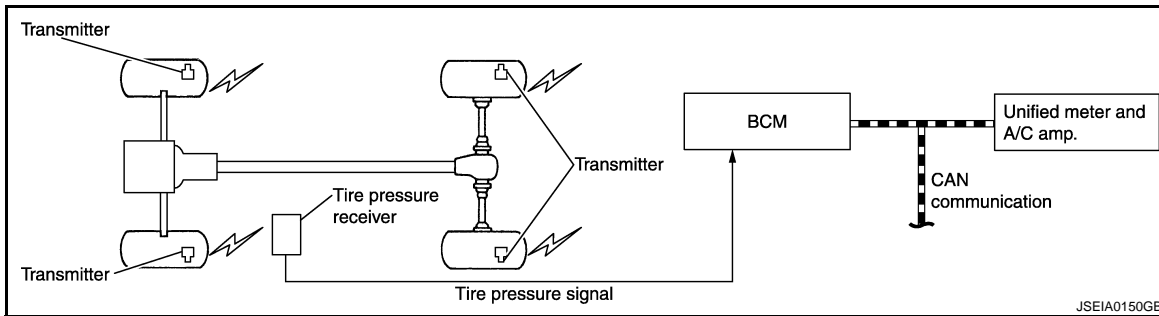
TPMS

< SYSTEM DESCRIPTION >

TPMS

System Diagram

INFOID:000000005853056



System Description

INFOID:000000005853057

DESCRIPTION

During driving, the TPMS (Tire Pressure Monitoring System) receives the signal transmitted from transmitter installed in each wheel. The BCM (Body Control Module) of this system has pressure judgment and trouble diagnosis functions. When the tire pressure monitoring system detects low inflation pressure or another unusual symptom, the low tire pressure warning lamps in the combination meter comes on.

LOW TIRE PRESSURE WARNING LAMP

The combination meter receives tire pressure status from the unified meter and A/C amp. via CAN communication. When BCM judges from a transmitter signal that tire pressure is insufficient, BCM transmits a signal to unified meter and A/C amp. via CAN communication. unified meter and A/C amp. turns on the low tire pressure warning lamp mounted on the combination meter.

Condition	Low tire pressure warning lamp
Ignition switch OFF	OFF
Ignition switch ON	Warning lamp turns on for 1second, then turns off.
Less than * kPa (* kg/cm ² , * psi) [NOTE]	ON
Tire pressure monitoring system malfunction [Other diagnostic item]	Warning lamp blinks 1 min, then turns on.

NOTE:

- 182.7 kPa (1.9 kg/cm², 26 psi): Standard air pressure is for 230 kPa (2.3 kg/cm², 33 psi) vehicles.
- 189.6 kPa (1.9 kg/cm², 27 psi): Standard air pressure is for 240 kPa (2.4 kg/cm², 35 psi) vehicles.

Fail-safe

INFOID:000000005853114

FAIL-SAFE CONTROL BY DTC

BCM performs fail-safe control when any DTC are detected.

Display contents of CONSULT	Fail-safe	Cancellation
B2013: ID DISCORD BCM-S/L	Inhibit engine cranking	Erase DTC
B2014: CHAIN OF S/L-BCM	Inhibit engine cranking	Erase DTC
B2190: NATS ANTENNA AMP	Inhibit engine cranking	Erase DTC
B2191: DIFFERENCE OF KEY	Inhibit engine cranking	Erase DTC
B2192: ID DISCORD BCM-ECM	Inhibit engine cranking	Erase DTC
B2193: CHAIN OF BCM-ECM	Inhibit engine cranking	Erase DTC
B2195: ANTI SCANNING	Inhibit engine cranking	Ignition switch ON → OFF
B2557: VEHICLE SPEED	Inhibit steering lock	When normal vehicle speed signals are received from ABS actuator and electric unit (control unit) for 500 ms

TPMS

< SYSTEM DESCRIPTION >

Display contents of CONSULT	Fail-safe	Cancellation	
B2560: STARTER CONT RELAY	Inhibit engine cranking	500 ms after the following CAN signal communication status becomes consistent <ul style="list-style-type: none"> • Starter control relay signal • Starter relay status signal 	A
B2601: SHIFT POSITION	Inhibit steering lock	500 ms after the following signal reception status becomes consistent <ul style="list-style-type: none"> • Selector lever P position switch signal • P range signal (CAN) 	B
B2602: SHIFT POSITION	Inhibit steering lock	5 seconds after the following BCM recognition conditions are fulfilled <ul style="list-style-type: none"> • Ignition switch is in the ON position • Selector lever P position switch signal: Except P position (battery voltage) • Vehicle speed: 4 km/h (2.5 MPH) or more 	C
B2603: SHIFT POSI STATUS	Inhibit steering lock	500 ms after the following BCM recognition conditions are fulfilled <ul style="list-style-type: none"> • Ignition switch is in the ON position • Selector lever P position switch signal: Except P position (battery voltage) • Selector lever P/N position signal: Except P and N positions (0 V) 	D
B2604: PNP SW	Inhibit steering lock	500 ms after any of the following BCM recognition conditions are fulfilled <ul style="list-style-type: none"> • Status 1 <ul style="list-style-type: none"> - Ignition switch is in the ON position - Selector lever P/N position signal: P and N position (battery voltage) - P range signal or N range signal (CAN): ON • Status 2 <ul style="list-style-type: none"> - Ignition switch is in the ON position - Selector lever P/N position signal: Except P and N positions (0 V) - P range signal and N range signal (CAN): OFF 	WT
B2605: PNP SW	Inhibit steering lock	500 ms after any of the following BCM recognition conditions are fulfilled <ul style="list-style-type: none"> • Status 1 <ul style="list-style-type: none"> - Ignition switch is in the ON position - Selector lever P/N position signal: Except P and N positions (0 V) - Interlock/PNP switch signal (CAN): OFF • Status 2 <ul style="list-style-type: none"> - Ignition switch is in the ON position - Selector lever P/N position signal: P or N position (battery voltage) - PNP switch signal (CAN): ON 	F
B2606: S/L RELAY	Inhibit engine cranking	500 ms after the following CAN signal communication status becomes consistent <ul style="list-style-type: none"> • Steering lock relay signal (Request signal) • Steering lock relay signal (Condition signal) 	G
B2607: S/L RELAY	Inhibit engine cranking	500 ms after the following CAN signal communication status has become consistent <ul style="list-style-type: none"> • Steering lock relay signal (Request signal) • Steering lock relay signal (Condition signal) 	H
B2608: STARTER RELAY	Inhibit engine cranking	500 ms after the following signal communication status becomes consistent <ul style="list-style-type: none"> • Starter motor relay control signal • Starter relay status signal (CAN) 	I
B2609: S/L STATUS	<ul style="list-style-type: none"> • Inhibit engine cranking • Inhibit steering lock 	When the following steering lock conditions agree <ul style="list-style-type: none"> • BCM steering lock control status • Steering lock condition No. 1 signal status • Steering lock condition No. 2 signal status 	J

TPMS

< SYSTEM DESCRIPTION >

Display contents of CONSULT	Fail-safe	Cancellation
B260A: IGNITION RELAY	Inhibit engine cranking	500 ms after the following conditions are fulfilled <ul style="list-style-type: none"> • IGN relay (IPDM E/R) control signal: OFF (Battery voltage) • Ignition ON signal (CAN to IPDM E/R): OFF (Request signal) • Ignition ON signal (CAN from IPDM E/R): OFF (Condition signal)
B260F: ENG STATE SIG LOST	Maintains the power supply position attained at the time of DTC detection	When any of the following conditions are fulfilled <ul style="list-style-type: none"> • Power position changes to ACC • Receives engine status signal (CAN)
B2612: S/L STATUS	<ul style="list-style-type: none"> • Inhibit engine cranking • Inhibit steering lock 	When any of the following conditions are fulfilled <ul style="list-style-type: none"> • Steering lock unit status signal (CAN) is received normally • The BCM steering lock control status matches the steering lock status recognized by the steering lock unit status signal (CAN from IPDM E/R)
B2617: STARTER RELAY CIRC	Inhibit engine cranking	1 second after the starter motor relay control inside BCM becomes normal
B2618: BCM	Inhibit engine cranking	1 second after the ignition relay (IPDM E/R) control inside BCM becomes normal
B2619: BCM	Inhibit engine cranking	1 second after the steering lock unit power supply output control inside BCM becomes normal
B261E: VEHICLE TYPE	Inhibit engine cranking	BCM initialization
B26E8: CLUTCH SW	Inhibit engine cranking	When any of the following BCM recognition conditions are fulfilled <ul style="list-style-type: none"> • Status 1 <ul style="list-style-type: none"> - Clutch switch signal (CAN from ECM): ON - Clutch interlock switch signal: OFF (0 V) • Status 2 <ul style="list-style-type: none"> - Clutch switch signal (CAN from ECM): OFF - Clutch interlock switch signal: ON (Battery voltage)
B26E9: S/L STATUS	<ul style="list-style-type: none"> • Inhibit engine cranking • Inhibit steering lock 	When BCM transmits the LOCK request signal to steering lock unit, and receives LOCK response signal from steering lock unit, the following conditions are fulfilled <ul style="list-style-type: none"> • Steering condition No. 1 signal: LOCK (0 V) • Steering condition No. 2 signal: LOCK (Battery voltage)

HIGH FLASHER OPERATION

BCM detects the turn signal lamp circuit status by the current value.

BCM increases the turn signal lamp blinking speed if the bulb or harness open is detected with the turn signal lamp operating.

NOTE:

The blinking speed is normal while activating the hazard warning lamp.

DIAGNOSIS SYSTEM (BCM)

< SYSTEM DESCRIPTION >

DIAGNOSIS SYSTEM (BCM)

COMMON ITEM

COMMON ITEM : CONSULT-III Function (BCM - COMMON ITEM)

INFOID:000000005853117

APPLICATION ITEM

CONSULT-III performs the following functions via CAN communication with BCM.

Diagnosis mode	Function Description
Work Support	Changes the setting for each system function.
Self Diagnostic Result	Displays the diagnosis results judged by BCM.
CAN Diag Support Monitor	Monitors the reception status of CAN communication viewed from BCM. Refer to CONSULT-III operation manual.
Data Monitor	The BCM input/output signals are displayed.
Active Test	The signals used to activate each device are forcibly supplied from BCM.
Ecu Identification	The BCM part number is displayed.
Configuration	This function is not used even though it is displayed.

SYSTEM APPLICATION

BCM can perform the following functions for each system.

NOTE:

It can perform the diagnosis modes except the following for all sub system selection items.

×: Applicable item

System	Sub system selection item	Diagnosis mode		
		Work Support	Data Monitor	Active Test
Door lock	DOOR LOCK	×	×	×
Rear window defogger	REAR DEFOGGER		×	×
Warning chime	BUZZER		×	×
Interior room lamp timer	INT LAMP	×	×	×
Exterior lamp	HEAD LAMP	×	×	×
Wiper and washer	WIPER	×	×	×
Turn signal and hazard warning lamps	FLASHER	×	×	×
—	AIR CONDITONER*			
• Intelligent Key system • Engine start system	INTELLIGENT KEY	×	×	×
Combination switch	COMB SW		×	
Body control system	BCM	×		
IVIS - NATS	IMMU		×	×
Interior room lamp battery saver	BATTERY SAVER	×	×	×
Trunk lid open	TRUNK		×	×
Vehicle security system	THEFT ALM	×	×	×
RAP system	RETAINED PWR*		×	
Signal buffer system	SIGNAL BUFFER		×	×
TPMS	TPMS (AIR PRESSURE MONITOR)	×	×	×

NOTE:

*: This item is displayed, but is not used.

FREEZE FRAME DATA (FFD)

The BCM records the following vehicle condition at the time a particular DTC is detected, and displays on CONSULT-III.

DIAGNOSIS SYSTEM (BCM)

< SYSTEM DESCRIPTION >

CONSULT screen item	Indication/Unit	Description	
Vehicle Speed	km/h	Vehicle speed of the moment a particular DTC is detected	
Odo/Trip Meter	km	Total mileage (Odometer value) of the moment a particular DTC is detected	
Vehicle Condition	SLEEP>LOCK	Power position status of the moment a particular DTC is detected	While turning BCM status from low power consumption mode to normal mode (Power supply position is "LOCK")
	SLEEP>OFF		While turning BCM status from low power consumption mode to normal mode (Power supply position is "OFF".)
	LOCK>ACC		While turning power supply position from "LOCK" to "ACC"
	ACC>ON		While turning power supply position from "ACC" to "IGN"
	RUN>ACC		While turning power supply position from "RUN" to "ACC" (Vehicle is stopping and selector lever is except P position.)
	CRANK>RUN		While turning power supply position from "CRANKING" to "RUN" (From cranking up the engine to run it)
	RUN>URGENT		While turning power supply position from "RUN" to "ACC" (Emergency stop operation)
	ACC>OFF		While turning power supply position from "ACC" to "OFF"
	OFF>LOCK		While turning power supply position from "OFF" to "LOCK"
	OFF>ACC		While turning power supply position from "OFF" to "ACC"
	ON>CRANK		While turning power supply position from "IGN" to "CRANKING"
	OFF>SLEEP		While turning BCM status from normal mode (Power supply position is "OFF".) to low power consumption mode
	LOCK>SLEEP		While turning BCM status from normal mode (Power supply position is "LOCK".) to low power consumption mode
	LOCK		Power supply position is "LOCK" (Ignition switch OFF with steering is locked.)
	OFF		Power supply position is "OFF" (Ignition switch OFF with steering is unlocked.)
	ACC		Power supply position is "ACC" (Ignition switch ACC)
	ON		Power supply position is "IGN" (Ignition switch ON with engine stopped)
ENGINE RUN	Power supply position is "RUN" (Ignition switch ON with engine running)		
CRANKING	Power supply position is "CRANKING" (At engine cranking)		
IGN Counter	0 - 39	The number of times that ignition switch is turned ON after DTC is detected <ul style="list-style-type: none"> • The number is 0 when a malfunction is detected now. • The number increases like 1 → 2 → 3...38 → 39 after returning to the normal condition whenever ignition switch OFF → ON. • The number is fixed to 39 until the self-diagnosis results are erased if it is over 39. 	

AIR PRESSURE MONITOR

AIR PRESSURE MONITOR : Diagnosis Description

INFOID:000000005653743

DESCRIPTION

During driving, the TPMS receives the signal transmitted from the transmitter installed in each wheel, when the tire pressure becomes low. The control unit (BCM) of this system has pressure judgment and trouble diagnosis functions.

When the TPMS detects low inflation pressure or another unusual symptom, the low tire pressure warning lamps in the combination meter comes on.

SELF DIAGNOSTIC PROCEDURE (WITH CONSULT-III)

Ⓟ With CONSULT-III

Touch "SELF-DIAG RESULT" display shows malfunction experienced since the last erasing operation. Refer to [BCS-73, "DTC Index"](#).

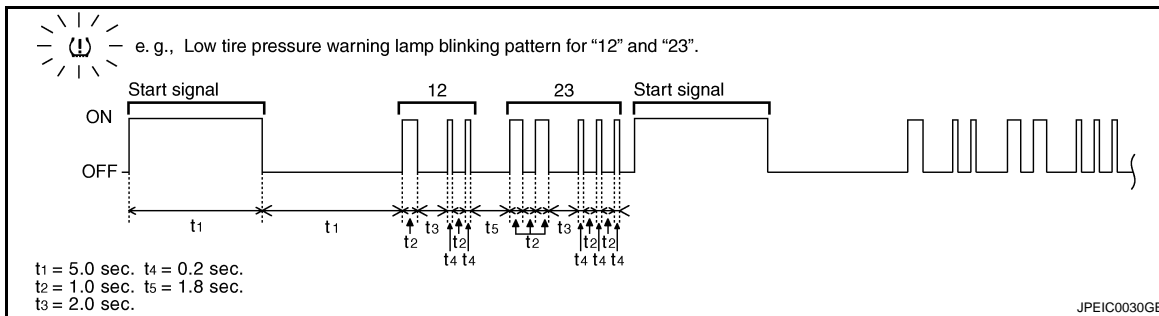
DIAGNOSIS SYSTEM (BCM)

< SYSTEM DESCRIPTION >

SELF DIAGNOSTIC PROCEDURE (WITHOUT CONSULT-III)

⊗ Without CONSULT-III

To start the self-diagnostic results mode, ground terminal of the tire pressure warning check connector. The malfunction location is indicated by the low tire pressure warning lamp blinking.



NOTE:

When the low tire pressure warning lamp blinks 5 Hz and continues repeating it, the system is normal.

Blinking pattern	Items	Diagnostic items detected when...	Check item
15	Tire pressure value (Front LH)	Front LH tire pressure drops to * kPa (* kg/cm ² , * psi) or less. [NOTE]	WT-26
16	Tire pressure value (Front RH)	Front RH tire pressure drops to * kPa (* kg/cm ² , * psi) or less. [NOTE]	
17	Tire pressure value (Rear RH)	Rear RH tire pressure drops to * kPa (* kg/cm ² , * psi) or less. [NOTE]	
18	Tire pressure value (Rear LH)	Rear LH tire pressure drops to * kPa (* kg/cm ² , * psi) or less. [NOTE]	
21	Transmitter no data (Front LH)	Data from front LH transmitter can not be receive.	WT-28
22	Transmitter no data (Front RH)	Data from front RH transmitter can not be receive.	
23	Transmitter no data (Rear RH)	Data from rear RH transmitter can not be receive.	
24	Transmitter no data (Rear LH)	Data from rear LH transmitter can not be receive.	
35	Transmitter pressure data error (Front LH)	Air pressure data from front LH transmitter is malfunction.	WT-31
36	Transmitter pressure data error (Front RH)	Air pressure data from front RH transmitter is malfunction.	
37	Transmitter pressure data error (Rear RH)	Air pressure data from rear RH transmitter is malfunction.	
38	Transmitter pressure data error (Rear LH)	Air pressure data from rear LH transmitter is malfunction.	
52	Vehicle speed signal error	Vehicle speed signal error.	WT-33
53	Control unit	Tire pressure monitoring system malfunction in BCM.	WT-35
No blinking	Tire pressure warning check switch	Tire pressure warning switch circuit is open.	-

NOTE:

- 182.7 kPa (1.9 kg/cm², 26 psi): Standard air pressure is for 230 kPa (2.3 kg/cm², 33 psi) vehicles.
- 189.6 kPa (1.9 kg/cm², 27 psi): Standard air pressure is for 240 kPa (2.4 kg/cm², 35 psi) vehicles.

ERASE SELF-DIAGNOSIS

Ⓜ With CONSULT-III

1. Perform applicable inspection of malfunctioning item and then repair or replace.
2. Turn ignition switch ON and select "SELF-DIAG RESULTS" mode for "AIR PRESSURE MONITOR" with CONSULT-III.
3. Touch "ERASE" on CONSULT-III screen to erase memory.

⊗ Without CONSULT-III

DIAGNOSIS SYSTEM (BCM)

< SYSTEM DESCRIPTION >

- In order to make it easier to find the cause of hard-to-duplicate malfunctions, malfunction information is stored into the control unit as necessary during use by the user. This memory is not erased no matter how many times the ignition switch is turned ON and OFF.
- However, this information is erased by turning ignition switch OFF after performing self-diagnostic or by erasing the memory using the CONSULT-III.

AIR PRESSURE MONITOR : CONSULT-III Function (BCM - AIR PRESSURE MONITOR)

INFOID:000000005653744

WORK SUPPORT MODE

ID Read

The registered ID number is displayed.

ID Regist

Refer to [WT-23. "ID REGISTRATION PROCEDURE : Special Repair Requirement"](#).

SELF-DIAG RESULTS MODE

Operation Procedure

Refer to [BCS-73. "DTC Index"](#).

DATA MONITOR MODE

Screen of data monitor mode is displayed.

NOTE:

When malfunction is detected, CONSULT-III perform REAL-TIME DIAGNOSIS. Also, any malfunction detected while in this mode will be displayed at real time.

Monitor item (Unit)	Remark
AIR PRESS FL (kPa/kg/cm ² /Psi)	Tire pressure
AIR PRESS FR (kPa/kg/cm ² /Psi)	
AIR PRESS RR (kPa/kg/cm ² /Psi)	
AIR PRESS RL (kPa/kg/cm ² /Psi)	
ID REGST FL1 (Green/Red)	Registration ID
ID REGST FR1 (Green/Red)	
ID REGST RR1 (Green/Red)	
ID REGST RL1 (Green/Red)	
WARNING LAMP (On/Off)	Low tire pressure warning lamp
BUZZER (On/Off)	Buzzer in combination meter

NOTE:

Before performing the self-diagnosis, be sure to register the ID, or erase the actual malfunction location may be different from that displayed on CONSULT-III.

ACTIVE TEST MODE

NOTE:

Before performing the self-diagnosis, be sure to register the ID, or erase the actual malfunction may be different from that displayed on CONSULT-III.

TEST ITEM LIST

Test item	Content
WARNING LAMP	This test is able to check to check that the low tire pressure warning lamp turns on.
ID REGIST WARNING	This test is able to check to check that the buzzer sounds or the low tire pressure warning lamp turns on.
FLASHER	This test is able to check to check that each turn signal lamp turns on.
HORN	This test is able to check to check that the horn sounds.

BCM

< ECU DIAGNOSIS INFORMATION >

ECU DIAGNOSIS INFORMATION

BCM

List of ECU Reference

INFOID:000000005853062

ECU	Reference
BCM	BCS-42, "Reference Value"
	BCS-70, "Fail-safe"
	BCS-72, "DTC Inspection Priority Chart"
	BCS-73, "DTC Index"

A

B

C

D

WT

F

G

H

I

J

K

L

M

N

O

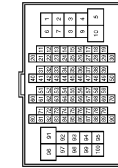
P

TIRE PRESSURE MONITORING SYSTEM

< WIRING DIAGRAM >

TIRE PRESSURE MONITORING SYSTEM

Connector No.	E106
Connector Name	WIRE TO WIRE
Connector Type	TH80FV-CS16-TM4



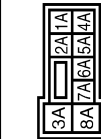
Terminal No.	Color of Wire	Signal Name [Specification]
1	GR	-
2	GR	-
3	EG	-
4	G	-
5	G	-
6	EG	-
7	LG	-
8	Y	-
9	BR	-
10	W	-
11	V	-
12	R	-
13	L	-
14	GR	-
15	P	-
16	W	-
17	V	-
18	EG	-
19	GR	-
20	LG	-
30	R	-
31	L	-
32	EG	-
33	P	-
34	V	-
35	RR	-
36	W	-
37	Y	-
38	R	-
39	B	-
40	G	-
41	W	-
42	LG	-
43	SB	-
44	GR	-
45	EG	-
46	LG	-
47	V	-
48	P	-
49	L	-
50	B	-
66	LG	-

Connector No.	SB
Connector Name	-
Connector Type	-



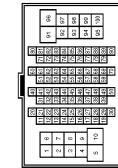
Terminal No.	Color of Wire	Signal Name [Specification]
1	GR	-
2	GR	-
3	EG	-
4	G	-
5	G	-
6	EG	-
7	W	-
8	BR	-
9	W	-
10	W	-
11	V	-
12	R	-
13	L	-
14	GR	-
15	P	-
16	W	-
17	BR	-
18	EG	-
19	L	-
20	L	-
30	R	-
31	SB	-
32	Y	-
33	EG	-
34	R	-
35	RR	-
36	SB	-
37	Y	-
38	LG	-
39	SB	-
40	P	-
41	W	-
42	LG	-
43	R	-
44	Y	-
45	P	-
46	G	-
47	V	-
48	P	-
49	L	-
50	B	-

Connector No.	M1
Connector Name	FUSE BLOCK (J/B)
Connector Type	NS06FV-M2



Terminal No.	Color of Wire	Signal Name [Specification]
1A	V	-
2A	LG	-
3A	L	-
4A	SB	-
5A	L	-
6A	BR	-
7A	R	-
8A	L	-

Connector No.	M6
Connector Name	WIRE TO WIRE
Connector Type	TH80MW-CS16-TM4



Terminal No.	Color of Wire	Signal Name [Specification]
1	EG	-
2	GR	-
3	R	-
4	G	-
5	G	-
6	L	-
7	W	-
8	Y	-
9	BR	-
10	W	-
11	V	-
12	R	-
13	L	-
14	GR	-
15	P	-
16	W	-
17	BR	-
18	EG	-
19	L	-
20	L	-
30	R	-
31	SB	-
32	Y	-
33	EG	-
34	R	-
35	RR	-
36	SB	-
37	Y	-
38	LG	-
39	SB	-
40	P	-
41	W	-
42	LG	-
43	R	-
44	Y	-
45	P	-
46	EG	-
47	G	-
48	P	-
49	L	-
50	B	-

66	GR	-
67	P	-
68	L	-
69	W	-
70	BR	-
80	L	-
81	R	-
82	V	-
83	W	-
84	L	-
85	EG	-
86	W	-
87	G	-
88	B	-
89	SB	-
91	L	-
93	Y	-
95	Y	-
96	R	-
97	P	-
98	SHIELD	-
99	V	-
100	SB	-

Connector No.	M23
Connector Name	TIRE PRESSURE WARNING CHECK SWITCH
Connector Type	TK02FW



Terminal No.	Color of Wire	Signal Name [Specification]
1	W	-

JCEWM0163G1

A
B
C
D
WT
F
G
H
I
J
K
L
M
N
O
P

TIRE PRESSURE MONITORING SYSTEM

< WIRING DIAGRAM >

TIRE PRESSURE MONITORING SYSTEM

Connector No.	M24
Connector Name	DATA LINK CONNECTOR
Connector Type	BD16FV-P

9	10	11	12	13	14	15	16
1	2	3	4	5	6	7	8



Terminal No.	Color of Wire	Signal Name [Specification]
3	LG	-
4	B	-
5	B	-
6	L	-
7	V	-
8	LG	-
11	SB	-
14	P	-
16	Y	-

Connector No.	M53
Connector Name	COMBINATION METER
Connector Type	SAB40FW

1	2	3	4	5	6	7	8	9	10	11	12	13	14	15	16	17	18	19	20
21	22	23	24	25	26	27	28	29	30	31	32	33	34	35	36	37	38	39	40



Terminal No.	Color of Wire	Signal Name [Specification]
1	V	BATTERY
2	LG	COMMUNICATION SIGNAL (METER->AMP.)
3	GR	COMMUNICATION SIGNAL (AMP->METER)
5	B	GROUND
6	W	ALTERNATOR SIGNAL
7	LG	AIR BAG
10	P	SECURITY
15	B	GROUND
16	W	METER CONTROL SWITCH GROUND
18	GR	ILL GND
19	B	ILL
20	R	ILL
21	GR	IGNITION POWER SUPPLY

Terminal No.	Color of Wire	Signal Name [Specification]
22	B	GROUND
24	BR	COMMUNICATION SIGNAL (LCD->AMP.)
25	Y	COMMUNICATION SIGNAL (AMP->LCD)
26	C	VEHICLE SPEED (6-PULSE)
27	BG	PARKING BRAKE SWITCH
28	L	BRAKE FLUID LEVEL SWITCH
29	LG	SEAT BELT BUCKLE SW (DRIVER SIDE)
30	G	SEAT BELT
31	L	WASHER LEVEL SWITCH
33	R	ILLUMINATION CONTROL
36	LG	SELECT SWITCH
37	SB	ENTER SWITCH
38	L	TRIP A/B RESET SWITCH
39	P	ILLUMINATION CONTROL SWITCH (-)
40	BG	ILLUMINATION CONTROL SWITCH (+)

Connector No.	M66
Connector Name	UNIFIED METER AND A.C AMP.
Connector Type	TH40FV-NH



1	2	3	4	5	6	7	8	9	10	11	12	13	14	15	16	17	18	19	20
21	22	23	24	25	26	27	28	29	30	31	32	33	34	35	36	37	38	39	40

Terminal No.	Color of Wire	Signal Name [Specification]
4	SB	STOP LAMP SWITCH
5	L	SHIFT UP
6	BG	PADDLE UP
7	GR	COMMUNICATION SIGNAL (AMP->METER)
8	L	VEHICLE SPEED (2-PULSE)
9	SB	SEAT BELT BUCKLE SWITCH (DRIVER SIDE)
10	W	MANUAL MODE
11	G	NON-MANUAL MODE
14	BR	COMMUNICATION SIGNAL (LCD->AMP.)
20	G	IGN ON / OFF SIGNAL
23	L	AT SLOW SW
25	V	SHIFT DOWN
26	G	PADDLE DOWN
27	LG	COMMUNICATION SIGNAL (METER->AMP.)
28	G	VEHICLE SPEED (6-PULSE)
30	BG	PARKING BRAKE SWITCH
34	Y	COMMUNICATION SIGNAL (AMP->LCD)
38	P	BLOWER MOTOR CONTROL SIGNAL

Connector No.	M67
Connector Name	UNIFIED METER AND A.C AMP.
Connector Type	TH24FV-NH



1	2	3	4	5	6	7	8	9	10	11	12	13	14	15	16	17	18	19	20
21	22	23	24	25	26	27	28	29	30	31	32	33	34	35	36	37	38	39	40

Terminal No.	Color of Wire	Signal Name [Specification]
41	L	ACC POWER SUPPLY
42	BR	FUEL LEVEL SENSOR SIGNAL
43	V	INTAKE SENSOR SIGNAL
44	LG	IN-VEHICLE SENSOR SIGNAL
45	V	AMBIENT SENSOR SIGNAL
46	GR	SUNLOAD SENSOR SIGNAL
47	W	GAS SENSOR SIGNAL
53	G	IGNITION POWER SUPPLY
54	Y	BATTERY POWER SUPPLY
55	B	GROUND
56	L	CAN-H
57	LG	BRAKE FLUID LEVEL SWITCH
58	P	FUEL LEVEL SENSOR GROUND
59	Y	INTAKE SENSOR GROUND
60	W	IN-VEHICLE SENSOR GROUND
61	R	AMBIENT SENSOR GROUND
62	SB	SUNLOAD SENSOR GROUND
63	L	ION CONTROL MODE OUTPUT SIGNAL
65	BG	ECV SIGNAL
69	P	A/C LAN SIGNAL
70	R	EACH DOOR MOTOR POWER SUPPLY
71	GR	GROUND
72	P	CAN-L

Connector No.	M83
Connector Name	AV CONTROL UNIT
Connector Type	TH24FV-NH



47	46	45	44	43	42	41	40	39	38	37	36
59	58	57	56	55	54	53	52	51	50	49	48

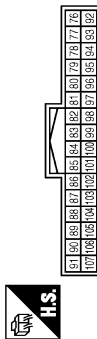
Terminal No.	Color of Wire	Signal Name [Specification]
36	SB	AUX IMAGE SIGNAL
37	V	AUX IMAGE GND
38	P	RGB (6-BLUE) SIGNAL
39	L	RGB (6-GREEN) SIGNAL
40	G	RGB (6-RED) SIGNAL
41	W	RGB SYNC
42	SHIELD	SHIELD
43	B	RGB AREA (V/S) SIGNAL
44	L	COMM (DISP->CONT)
45	R	HP
46	LG	SIGNAL GND
47	BG	SIGNAL VCC
48	BR	SHIELD
49	Y	SHIELD
50	SHIELD	SHIELD
55	B	SHIELD
56	LG	COMM (CONT->DISP)
57	G	Vp
58	BR	INVERTER GND
59	Y	INVERTER VCC

TIRE PRESSURE MONITORING SYSTEM

< WIRING DIAGRAM >

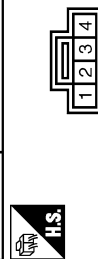
TIRE PRESSURE MONITORING SYSTEM

Connector No.	M85
Connector Name	AV CONTROL UNIT
Connector Type	TH2FV-NH



Terminal No.	Color of Wire	Signal Name [Specification]
85	B	GND
86	L	CAN-H
87	P	CAN-L
88	SB	AV COMM (H)
88	LG	AV COMM (L)
90	SB	AV COMM (H)
91	LG	AV COMM (L)
95	R	AUX SOUND SIGNAL RH (+)
96	W	AUX SOUND SIGNAL LH (+)
97	B	AUX SOUND SIGNAL GND
101	BR	SW GND
103	LG	EJECT SIGNAL
104	R	IGNITION
105	BG	REVERSE
106	SB	PARKING BRAKE
107	GR	VEHICLE SPEED (8-PULSE)

Connector No.	M101
Connector Name	TIRE PRESSURE RECEIVER
Connector Type	TK04FW



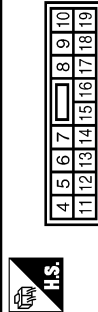
Terminal No.	Color of Wire	Signal Name [Specification]
1	BG	GND
2	L	SIGNAL
4	V	BATTERY

Connector No.	M118
Connector Name	BCM (BODY CONTROL MODULE)
Connector Type	M03FB-LC



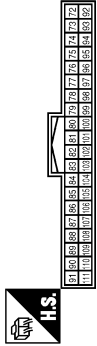
Terminal No.	Color of Wire	Signal Name [Specification]
1	L	BAT (F/L)
2	Y	POWER WINDOW POWER SUPPLY (BAT)
3	BG	POWER WINDOW POWER SUPPLY (RAP)

Connector No.	M119
Connector Name	BCM (BODY CONTROL MODULE)
Connector Type	NS16FW-CS



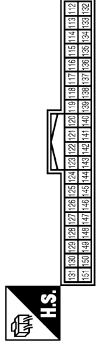
Terminal No.	Color of Wire	Signal Name [Specification]
4	LG	INTERIOR ROOM LAMP POWER SUPPLY
5	P	PASSENGER DOOR UNLOCK OUTPUT
7	SB	STEP LAMP OUTPUT
8	V	ALL DOOR FUEL LID LOCK OUTPUT
9	G	DRIVER DOOR FUEL LID UNLOCK OUTPUT
11	R	BAT FUSE
13	B	GND
14	W	PUSH-BUTTON IGNITION SW ILL GND
15	BG	ACC IND
17	W	TURN SIGNAL RH (FRONT)
18	BG	TURN SIGNAL LH (FRONT)
19	V	ROOM LAMP TIMER CONTROL

Connector No.	M122
Connector Name	BCM (BODY CONTROL MODULE)
Connector Type	TH40FB-NH



Terminal No.	Color of Wire	Signal Name [Specification]
72	R	ROOM ANT 2-
73	G	ROOM ANT 2+
74	SB	PASSENGER DOOR ANT-
75	BR	PASSENGER DOOR ANT+
76	V	DRIVER DOOR ANT-
77	LG	DRIVER DOOR ANT+
78	Y	ROOM ANT 1-
79	BR	ROOM ANT 1+
80	GR	NATS ANT AMP
81	W	NATS ANT AMP
82	V	IGN RELAY (F/B) CONT
83	Y	KEYLESS ENTRY RECEIVER COMM
87	Y	COMBI SW INPUT 5
88	GR	COMBI SW INPUT 3
89	BR	PUSH SW
90	P	CAN-L
91	L	CAN-H
92	LG	KEY SLOT ILL
93	GR	ON IND
95	BG	ACC RELAY CONT
96	GR	A/T SHIFT SELECTOR POWER SUPPLY
97	L	S/L CONDITION 1
98	BG	S/L CONDITION 2
99	P	SHIFT P (M/A/T)
99	R	ICC CLUTCH SW (M/T models with ICC)
99	R	ASCD CLUTCH SW (M/T models without ICC)
100	Y	PASSENGER DOOR REQUEST SW
101	R	DRIVER DOOR REQUEST SW
102	BG	BLOWER FAN MOTOR RELAY GND
103	LG	KEYLESS ENTRY RECEIVER POWER SUPPLY
106	W	S/L UNIT POWER SUPPLY
107	LG	COMBI SW INPUT 1
108	R	COMBI SW INPUT 4
109	W	COMBI SW INPUT 2
110	G	HAZARD SW
111	Y	S/L UNIT COMM

Connector No.	M123
Connector Name	BCM (BODY CONTROL MODULE)
Connector Type	TH40FG-NH



Terminal No.	Color of Wire	Signal Name [Specification]
112	R	RAIN SENSOR SERIAL LINK
113	BG	OPTICAL SENSOR
114	P	CLUTCH INTERLOCK SW
116	SB	STOP LAMP SW 1
118	BR	STOP LAMP SW 2
119	SB	DR DOOR UNLOCK SENSOR
121	G	KEY SLOT SW
123	W	IGN F/B
124	LG	PASSENGER DOOR SW
129	Y	TRUNK LID OPENER CANCEL SW
132	V	POWER WINDOW SW COMM
133	L	PUSH-BUTTON IGNITION SW ILL POWER
134	R	LOCK IND
137	BG	RECEIVER / SENSOR GND
138	V	RECEIVER / SENSOR POWER SUPPLY
139	L	TIRE PRESSURE RECEIVER COMM
140	Y	SHIFT N/P
141	P	SECURITY INDICATOR
142	LG	COMBI SW OUTPUT 5
143	V	COMBI SW OUTPUT 1
144	G	COMBI SW OUTPUT 2
145	L	COMBI SW OUTPUT 3
146	SB	COMBI SW OUTPUT 4
149	W	TIRE PRESSURE WARN CHECK SW
150	R	DRIVER DOOR SW
151	G	REAR WINDOW DEFOGGER RELAY CONT

A
B
C
D
WT
F
G
H
I
J
K
L
M
N
O
P

TIRE PRESSURE MONITORING SYSTEM

< WIRING DIAGRAM >

TIRE PRESSURE MONITORING SYSTEM

Connector No.	M202
Connector Name	AV CONTROL UNIT
Connector Type	TH24PW-NH



36	37	38	39	40	41	42	43	44	45	46	47
48	49	50	51	52	53	54	55	56	57	58	59

Terminal No.	Color of Wire	Signal Name [Specification]
36	BG	SIGNAL VCC
37	LG	SIGNAL GND
38	R	HP
39	L	COMM (DISP->CONT)
40	B	RGB AREA (VS) SIGNAL
41	SHIELD	SHIELD
42	W	RGB SYNC
43	G	RGB (RED) SIGNAL
44	L	RGB (GREEN) SIGNAL
45	P	RGB (BLUE) SIGNAL
46	V	COMPOSITE IMAGE GND
47	SB	COMPOSITE IMAGE SIGNAL
48	Y	INVERTER VCC
49	BR	INVERTER GND
50	G	VP
51	LG	COMM (CONT->DISP)
52	B	SHIELD
57	SHIELD	SHIELD
58	SHIELD	SHIELD

Connector No.	M204
Connector Name	AV CONTROL UNIT
Connector Type	TH24PW-NH



76	77	78	79	80	81	82	83	84	85	86	87	88	89	90	91
92	93	94	95	96	97	98	99	100	101	102	103	104	105	106	107

Terminal No.	Color of Wire	Signal Name [Specification]
76	LG	AV COMM (L)
77	SB	AV COMM (H)
78	LG	AV COMM (L)

79	SB	AV COMM (H)
80	P	CAN-L
81	L	CAN-H
82	BR	SW GND
86	SHIELD	SHIELD
87	L	TEL VOICE SIGNAL (+)
88	P	TEL VOICE SIGNAL (-)
92	GR	VEHICLE SPEED (8-PULSE)
93	SB	PARKING BRAKE
94	BG	REVERSE
95	R	IGNITION
96	LG	DISK EJECT SIGNAL

Connector No.	M210
Connector Name	AV CONTROL UNIT
Connector Type	TH32PW-NH



65	66	67	68	69	70	71	72	73	74	75	76				
77	78	79	80	81	82	83	84	85	86	87	88	89	90	91	92

Terminal No.	Color of Wire	Signal Name [Specification]
65	SB	PARKING BRAKE
67	Y	COMPOSITE IMAGE SIGNAL GND
68	BR	COMPOSITE IMAGE SIGNAL
71	SHIELD	MICROPHONE GND
72	G	MICROPHONE VCC
73	LG	COMM (CONT->DISP)
74	P	CAN-L
75	LG	AV COMM (L)
76	LG	AV COMM (L)
79	L	ILLUMINATION
80	R	IGNITION
81	BG	REVERSE
82	GR	VEHICLE SPEED (8-PULSE)
83	SHIELD	SHIELD
87	R	MICROPHONE SIGNAL
88	B	SHIELD
89	L	COMM (DISP->CONT)
90	L	CAN-H
91	SB	AV COMM (H)
92	SB	AV COMM (H)

DIAGNOSIS AND REPAIR WORK FLOW

< BASIC INSPECTION >

BASIC INSPECTION

DIAGNOSIS AND REPAIR WORK FLOW

Work Flow

INFOID:000000005853064

DETAILED FLOW

1. COLLECT THE INFORMATION FROM THE CUSTOMER

It is also important to clarify customer concerns before starting the inspection. Reproduce the symptom, and understand it fully. Interview the customer about the concerns carefully. In some cases, it is necessary to check the symptoms by driving the vehicle with the customer.

CAUTION:

Customers are not professionals. Never assume “maybe the customer means...” or “maybe the customer mentioned this symptom.”

>> GO TO 2.

2. BASIC INSPECTION

1. Turn the ignition switch ON.

CAUTION:

Never start the engine.

2. Check the tire pressure for all wheels and adjust to the specified value. Refer to [WT-61, "Tire"](#).

Is the inspection result normal?

YES >> GO TO 3.

NO >> Inspect or repair the tires or wheels.

3. CHECK LOW TIRE PRESSURE WARNING LAMP

Check low tire pressure warning lamp display.

Does not low tire pressure warning lamp turn OFF?

YES >> GO TO 4.

NO >> INSPECTION END

4. CRUISE TEST

Start the engine and drive the vehicle.

>> GO TO 5.

5. PERFORM SELF-DIAGNOSIS

 **With CONSULT-III**

Perform “SELF-DIAG RESULTS” in “AIR PRESSURE MONITOR” of “BCM”.

Is any DTC detected?

YES >> GO TO 7.

NO >> GO TO 6.

6. CHECK SYMPTOM

Perform trouble diagnosis for the applicable symptom. Refer to [WT-42, "Symptom Table"](#).

Is the cause of the malfunction detected?

YES >> GO TO 8.

NO >> GO TO 10.

7. CIRCUIT DIAGNOSIS

Inspect the malfunctioning system indicated by the DTC code that is detected during self-diagnosis. Refer to [BCS-73, "DTC Index"](#).

>> GO TO 8.

A

B

C

D

WT

F

G

H

I

J

K

L

M

N

O

P

DIAGNOSIS AND REPAIR WORK FLOW

< BASIC INSPECTION >

8. REPAIR WORK

Repair or replace the malfunctioning part.

>> GO TO 9.

9. PERFORM SELF-DIAGNOSIS

1. Select "SELF-DIAG RESULTS" in "AIR PRESSURE MONITOR" of "BCM".
2. Touch "ERASE" on CONSULT-III screen to erase memory of the low tire pressure warning control unit.
3. Drive the vehicle.
4. Perform "SELF-DIAG RESULTS" in "AIR PRESSURE MONITOR" of "BCM".

Is any DTC detected?

- YES >> GO TO 7.
NO >> GO TO 10.

10. FINAL CHECK

1. Perform a cruise test.
2. Check that the low tire pressure warning lamp turn OFF.

Does the tire pressure warning lamp turn OFF?

- YES >> INSPECTION END
NO >> GO TO 2.

INSPECTION AND ADJUSTMENT

< BASIC INSPECTION >

INSPECTION AND ADJUSTMENT TRANSMITTER WAKE UP OPERATION

TRANSMITTER WAKE UP OPERATION : Description

INFOID:000000005653734

This procedure must be done after replacement of a transmitter, BCM, or rotation of wheels.

TRANSMITTER WAKE UP OPERATION : Special Repair Requirement

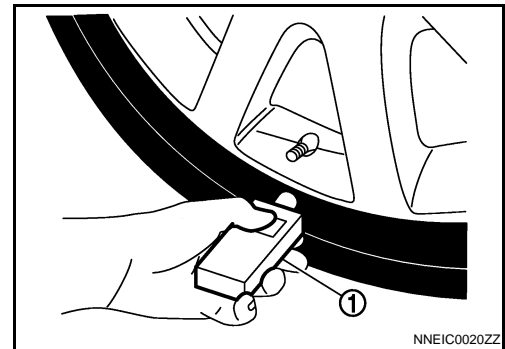
INFOID:000000005653735

1. TRANSMITTER WAKE-UP PROCEDURE

1. Turn the ignition switch ON.
2. Contact the transmitter activation tool (J-45295) (1) to the side of the tire at the location to the transmitter.
3. Press and hold the activation tool button while pushing the tool to the tire surface. (approximately for 5 seconds)

CAUTION:

Perform the wake-up procedure starting from the vehicle front left wheel, then repeat the procedure in the order of the front right wheel, rear right wheel, and rear left wheel.



4. Check that the low tire pressure warning lamp blinks in the pattern shown as per the following. The pattern indicates that the transmitter wake-up procedure for the wheel is completed.

Low tire pressure warning lamp blinking timing		Activation tire position
ON OFF		a : 0.3 sec. b : 1.3 sec. Front LH
ON OFF		a : 0.3 sec. b : 1.3 sec. Front RH
ON OFF		a : 0.3 sec. b : 1.3 sec. Rear RH
ON OFF		a : 0.3 sec. b : 1.3 sec. Rear LH
ON OFF		a : 2 sec. b : 0.2 sec. All tires

5. Check that the turn signal lamps blink twice when the transmitter wake-up procedure for all wheels is completed.
6. Check that the low tire pressure warning lamp turns OFF, after the transmitter wake-up procedure is completed for all wheels and turns OFF.

Is the transmitter wake-up procedure completed?

- YES >> Perform the transmitter ID registration procedure. Refer to [WT-23, "ID REGISTRATION PROCEDURE : Special Repair Requirement"](#).
- NO >> Perform trouble diagnosis for the transmitter. Refer to [WT-12, "AIR PRESSURE MONITOR : Diagnosis Description"](#).

ID REGISTRATION PROCEDURE

ID REGISTRATION PROCEDURE : Description

INFOID:000000005653736

This procedure must be done after replacing or rotating wheels, replacing transmitter or BCM.

ID REGISTRATION PROCEDURE : Special Repair Requirement

INFOID:000000005653737

1. TRANSMITTER ID REGISTRATION PROCEDURE

INSPECTION AND ADJUSTMENT

< BASIC INSPECTION >

ⓑ With CONSULT-III.

1. Display the "WORK SUPPORT" screen and select "ID REGIST".

Is the transmitter activation tool (J-45295) used for the transmitter ID registration procedure?

YES >> GO TO 2.

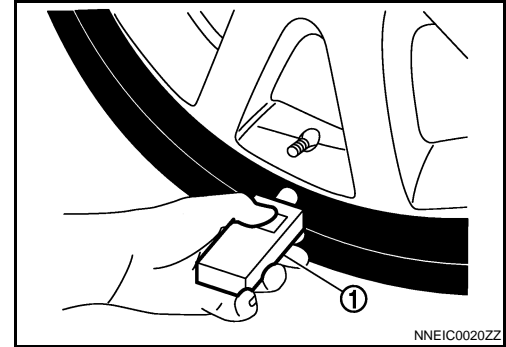
NO >> GO TO 3.

2. TRANSMITTER ID REGISTRATION PROCEDURE (WITH TRANSMITTER ACTIVATION TOOL)

1. Turn the ignition switch ON.
2. Select the start button on the "ID REGIST" screen.
3. Contact the transmitter activation tool (J-45295) (1) to the side of the tire at the location to the transmitter.
4. Press and hold the activation tool button while pushing the tool to the tire surface. (approximately for 5 seconds)

CAUTION:

Perform the ID registration procedure starting from the vehicle front left wheel, then repeat the procedure in the order of the front right wheel, rear right wheel, and rear left wheel.



5. When ID registration is completed, check the following pattern at each wheel.

Se-quence	ID registration position	Turn signal lamp	CONSULT-III
1	Front left wheel	2 blinks	"Red" ↓ "Green"
2	Front right wheel		
3	Rear right wheel		
4	Rear left wheel		

6. After the ID registration procedure for all wheels is completed, press "END" to end ID registration, and check that ID registration for all wheels is completed.

Is the check result normal?

YES >> ID registration END.

NO >> Performs trouble-diagnosis of the Tire Pressure Monitoring System (TPMS). Refer to [WT-12. "AIR PRESSURE MONITOR : Diagnosis Description"](#).

3. TRANSMITTER ID REGISTRATION PROCEDURE (WITHOUT TRANSMITTER ACTIVATION TOOL)

1. Adjust the tire pressure for all wheels to match the list below.

Tire position	Tire pressure kPa (kg/cm ² , psi)
Front LH	240 (2.4, 35)
Front RH	220 (2.2, 31)
Rear RH	200 (2.0, 29)
Rear LH	180 (1.8, 26)

2. Drive the vehicle at a speed at more than 40 km/h (25 MPH) for 3 minutes or more, then perform the transmitter ID registration procedure.

3. After ID registration for all wheels is completed, press "END" to end ID registration.

ID registration position	CONSULT-III
Front LH	"Red" ↓ "Green"
Front RH	
Rear RH	
Rear LH	

INSPECTION AND ADJUSTMENT

< BASIC INSPECTION >

4. Adjust the tire pressures for all wheels to the specified value. Refer to [WT-61, "Tire"](#).

Is ID registrations for all wheels completed?

YES >> ID registration END.

NO >> Performs trouble-diagnosis of the Tire Pressure Monitoring System (TPMS). Refer to [WT-12, "AIR PRESSURE MONITOR : Diagnosis Description"](#).

A

B

C

D

WT

F

G

H

I

J

K

L

M

N

O

P

C1704, C1705, C1706, C1707 LOW TIRE PRESSURE

< DTC/CIRCUIT DIAGNOSIS >

DTC/CIRCUIT DIAGNOSIS

C1704, C1705, C1706, C1707 LOW TIRE PRESSURE

Description

INFOID:000000005853065

When the tire pressure monitoring system detects low inflation pressure, the low tire pressure warning lamps in the combination meter comes on.

DTC Logic

INFOID:000000005853066

DTC DETECTION LOGIC

DTC	Display item	Malfunction detected condition	Possible cause
C1704	LOW PRESSURE FL	Front LH tire pressure drops to * kPa (* kg/cm ² , * psi) or less. [NOTE]	Low tire pressure
C1705	LOW PRESSURE FR	Front RH tire pressure drops to * kPa (* kg/cm ² , * psi) or less. [NOTE]	
C1706	LOW PRESSURE RR	Rear RH tire pressure drops to * kPa (* kg/cm ² , * psi) or less. [NOTE]	
C1707	LOW PRESSURE RL	Rear LH tire pressure drops to * kPa (* kg/cm ² , * psi) or less. [NOTE]	

NOTE:

- 182.7 kPa (1.9 kg/cm², 26 psi): Standard air pressure is for 230 kPa (2.3 kg/cm², 33 psi) vehicles.
- 189.6 kPa (1.9 kg/cm², 27 psi): Standard air pressure is for 240 kPa (2.4 kg/cm², 35 psi) vehicles.

DTC CONFIRMATION PROCEDURE

1. DTC REPRODUCTION PROCEDURE

Ⓟ With CONSULT-III

1. Turn the ignition switch ON.

CAUTION:

Never start the engine.

2. Check the tire pressure for all wheels and adjust to the specified value. Refer to [WT-61. "Tire"](#).
3. Perform "SELF-DIAG RESULTS" in "AIR PRESSURE MONITOR" of "BCM".

Is DTC "C1704", "C1705", "C1706", "C1707" detected?

- YES >> Perform trouble diagnosis. Refer to [WT-26. "Diagnosis Procedure"](#).
NO >> INSPECTION END

Diagnosis Procedure

INFOID:000000005853067

1. CHECK TIRE PRESSURE

Check the internal pressure of all wheels. Refer to [WT-61. "Tire"](#).

Is the inspection result normal?

- YES >> Replace the DTC-detected malfunctioning transmitter. Refer to [WT-58. "Exploded View"](#).
NO >> After adjusting the air pressure, GO TO 2.

2. CHECK TIRE PRESSURE SIGNAL

Ⓟ With CONSULT-III

1. Drive for 3 minutes at a speed of 40 km/h (25 MPH) or more, then drive normally for 10 minutes.
2. Perform "DATA MONITOR" in "AIR PRESSURE MONITOR" of "BCM".
3. Select "BCM" in "DATA MONITOR", and check that the tire pressures match the standard value.

Monitor item	Condition	Displayed value
AIR PRESS FL	Drive for 3 minutes at a speed of 40 km/h (25 MPH) or more, then drive normally for 10 minutes.	Internal pressure of tires
AIR PRESS FR		
AIR PRESS RR		
AIR PRESS RL		

C1704, C1705, C1706, C1707 LOW TIRE PRESSURE

< DTC/CIRCUIT DIAGNOSIS >

CAUTION:

Stop the vehicle and within 5 minutes, use "DATA MONITOR" in "AIR PRESSURE MONITOR" of "BCM" to display the tire pressure for all wheels.

Is the inspection result normal?

- YES >> Inspect or repair the tires or wheels and adjust the tire pressure to the specification.
- NO >> GO TO 1.

Special Repair Requirement

INFOID:000000005853068

1.CHECK TIRE AIR PRESSURE

Check all tire air pressures. Refer to [WT-61, "Tire"](#).

Does all tire pressure data meet the specification?

- YES >> GO TO 2.
- NO >> Inspect or repair the tires or wheels and adjust the tire pressure to the specification.

2.PERFORM ID REGISTRATION

Perform ID registration. Refer to [WT-23, "ID REGISTRATION PROCEDURE : Special Repair Requirement"](#).

>> END

A
B
C
D
WT
F
G
H
I
J
K
L
M
N
O
P

C1708, C1709, C1710, C1711 TRANSMITTER

< DTC/CIRCUIT DIAGNOSIS >

C1708, C1709, C1710, C1711 TRANSMITTER

DTC Logic

INFOID:000000005853071

DTC DETECTION LOGIC

DTC	Display item	Malfunction detected condition	Possible cause
C1708	[NO DATA] FL	Tire pressure data signal from the front left wheel transmitter cannot be detected.	<ul style="list-style-type: none">• Harness or connector (Tire pressure receiver, BCM)• ID registration is not finished• Transmitter malfunction• BCM malfunction
C1709	[NO DATA] FR	Tire pressure data signal from the front right wheel transmitter cannot be detected.	
C1710	[NO DATA] RR	Tire pressure data signal from the rear right wheel transmitter cannot be detected.	
C1711	[NO DATA] RL	Tire pressure data signal from the rear left wheel transmitter cannot be detected.	

DTC CONFIRMATION PROCEDURE

1. DTC REPRODUCTION PROCEDURE

④ With CONSULT-III

1. Drive for 3 minutes at a speed of 40 km/h (25 MPH) or more, then drive normally for 10 minutes.
2. Perform "SELF-DIAG RESULTS" in "AIR PRESSURE MONITOR" of "BCM".

Is DTC "C1708", "C1709", "C1710", "C1711" detected?

- YES >> Perform trouble diagnosis. Refer to [WT-28, "Diagnosis Procedure"](#).
NO >> INSPECTION END

Diagnosis Procedure

INFOID:000000005853072

1. CHECK TIRE PRESSURE SIGNAL

④ With CONSULT-III

1. Drive for 3 minutes at a speed of 40 km/h (25 MPH) or more, then drive normally for 10 minutes.
2. Perform "DATA MONITOR" in "AIR PRESSURE MONITOR" of "BCM".
3. Select "BCM" in "DATA MONITOR", and check that the tire pressures match the standard value.

Monitor item	Condition	Displayed value
AIR PRESS FL	Drive for 3 minutes at a speed of 40 km/h (25 MPH) or more, then drive normally for 10 minutes.	Internal pressure of tires
AIR PRESS FR		
AIR PRESS RR		
AIR PRESS RL		

CAUTION:

Stop the vehicle and within 5 minutes, use "DATA MONITOR" in "AIR PRESSURE MONITOR" of "BCM" to display the tire pressure for all wheels.

Is a tire pressure of 0 kPa (0 Psi) displayed for all wheels?

- YES >> GO TO 2.
NO >> GO TO 5.

2. CHECK HARNESS BETWEEN BCM AND TIRE PRESSURE RECEIVER

1. Turn the ignition switch OFF.
2. Disconnect BCM harness connector and tire pressure receiver harness connector.
3. Check the continuity between BCM harness connector and tire pressure receiver harness connector.

C1708, C1709, C1710, C1711 TRANSMITTER

< DTC/CIRCUIT DIAGNOSIS >

BCM		Tire pressure receiver		Continuity
Connector	Terminal	Connector	Terminal	
M123	137	M101	1	Existed
	138		4	
	139		2	

4. Check the continuity between BCM harness connector and ground.

BCM		—	Continuity
Connector	Terminal		
M123	137	Ground	Not existed
	138		
	139		

Is the inspection result normal?

YES >> GO TO 3.

NO >> Repair or replace damaged parts.

3. CHECK TIRE PRESSURE RECEIVER POWER SUPPLY CIRCUIT

1. Connect the BCM harness connector.

2. Turn the ignition switch ON.

CAUTION:

Never start the engine.

3. Check the voltage between the BCM harness connector and ground.

BCM		—	Voltage
Connector	Terminal		
M123	138	Ground	5 V

Is the inspection result normal?

YES >> GO TO 4.

NO >> Repair or replace damaged parts.

4. CHECK TIRE PRESSURE RECEIVER

Check tire pressure receiver. Refer to [WT-37. "Diagnosis Procedure"](#).

Is the inspection result normal?

YES >> GO TO 5.

NO >> Replace tire pressure receiver. Refer to [WT-60. "Exploded View"](#).

5. CHECK ID REGISTRATION

Perform ID registration of all transmitters. Refer to [WT-23. "ID REGISTRATION PROCEDURE : Special Repair Requirement"](#).

Can ID registration of all transmitters be completed?

YES >> GO TO 6.

NO >> Replace transmitter. Refer to [WT-58. "Exploded View"](#).

6. CHECK TIRE PRESSURE MONITORING SYSTEM

Ⓜ With CONSULT-III

1. Drive at a speed of 40 km/h (25 MPH) or more for several minutes without stopping.

2. Perform "DATA MONITOR" in "AIR PRESSURE MONITOR" of "BCM".

3. Select "BCM" in "DATA MONITOR", and check that the tire pressures match the standard value.

C1708, C1709, C1710, C1711 TRANSMITTER

< DTC/CIRCUIT DIAGNOSIS >

Monitor item	Condition	Displayed value
AIR PRESS FL	Drive at a speed of 40 km/h (25 MPH) or more, for several minutes without stopping.	Internal pressure of tires
AIR PRESS FR		
AIR PRESS RR		
AIR PRESS RL		

CAUTION:

Stop the vehicle and within 15 minutes, use “DATA MONITOR” in “AIR PRESSURE MONITOR” of “BCM” to read the tire pressure for all wheels.

Is the inspection result normal?

- YES >> Replace the DTC-detected malfunctioning transmitter. Refer to [WT-58. "Exploded View"](#).
NO >> Replace BCM. Refer to [BCS-78. "Exploded View"](#).

Special Repair Requirement

INFOID:000000005853142

1. CHECK TIRE AIR PRESSURE

Check all tire air pressures. Refer to [WT-61. "Tire"](#).

Does all tire pressure data meet the specification?

- YES >> GO TO 2.
NO >> Inspect or repair the tires or wheels and adjust the tire pressure to the specification.

2. PERFORM ID REGISTRATION

Perform ID registration. Refer to [WT-23. "ID REGISTRATION PROCEDURE : Special Repair Requirement"](#).

>> END

C1716, C1717, C1718, C1719 TRANSMITTER

< DTC/CIRCUIT DIAGNOSIS >

C1716, C1717, C1718, C1719 TRANSMITTER

DTC Logic

INFOID:000000005853074

DTC DETECTION LOGIC

DTC	Display item	Malfunction detected condition	Possible case
C1716	[PRESSDATA ERR] FL	Malfunction in the tire pressure data from the front left wheel transmitter.	<ul style="list-style-type: none">• ID registration is not finished• Transmitter malfunction
C1717	[PRESSDATA ERR] FR	Malfunction in the tire pressure data from the front right wheel transmitter.	
C1718	[PRESSDATA ERR] RR	Malfunction in the tire pressure data from the rear right wheel transmitter.	
C1719	[PRESSDATA ERR] RL	Malfunction in the tire pressure data from the rear left wheel transmitter.	

DTC CONFIRMATION PROCEDURE

1. DTC REPRODUCTION PROCEDURE

Ⓜ With CONSULT-III

1. Turn the ignition switch ON.

CAUTION:

Never start the engine.

2. Check the tire pressure for all wheels and adjust to the specified value. Refer to [WT-61, "Tire"](#).
3. Perform "SELF-DIAG RESULTS" in "AIR PRESSURE MONITOR" of "BCM".

Is DTC "C1716", "C1717", "C1718", "C1719" detected?

- YES >> Perform trouble diagnosis. Refer to [WT-31, "Diagnosis Procedure"](#).
NO >> INSPECTION END

Diagnosis Procedure

INFOID:000000005853075

1. CHECK TIRE PRESSURE

Check the internal pressure of all wheels. Refer to [WT-61, "Tire"](#).

Is the inspection result normal?

- YES >> Replace the DTC-detected malfunctioning transmitter. Refer to [WT-58, "Exploded View"](#).
NO >> After adjusting the tire pressure, GO TO 2.

2. CHECK TIRE PRESSURE SIGNAL

Ⓜ With CONSULT-III

1. Check and adjust the tire pressure for all wheels. Refer to [WT-61, "Tire"](#).
2. Perform transmitter ID registration for all wheels. Refer to [WT-23, "ID REGISTRATION PROCEDURE : Special Repair Requirement"](#).
3. Drive for 3 minutes at a speed of 40 km/h (25 MPH) or more, then drive normally for 10 minutes.
4. Perform "DATA MONITOR" in "AIR PRESSURE MONITOR" of "BCM".
5. Select "BCM" in "DATA MONITOR", and check that the tire pressures match the standard value.
CAUTION:
Stop the vehicle and within 15 minutes, use CONSULT-III "DATA MONITOR" to display the tire pressure for all wheels.
6. Check that "DATA MONITOR" displays tire pressure of 438.60 kPa (4.47 kg/cm², 63.60 Psi).

Is the inspection 438.60 kPa (4.47 kg/cm², 63.60 Psi)?

- YES >> Replace transmitter the tire pressure 438.60 kPa (4.47 kg/cm², 63.60 Psi) displayed. Refer to [WT-58, "Exploded View"](#).
NO >> GO TO 1.

C1716, C1717, C1718, C1719 TRANSMITTER

< DTC/CIRCUIT DIAGNOSIS >

Special Repair Requirement

INFOID:000000005853143

1.CHECK TIRE AIR PRESSURE

Check all tire air pressures. Refer to [WT-61, "Tire"](#).

Does all tire pressure data meet the specification?

YES >> GO TO 2.

NO >> Inspect or repair the tires or wheels and adjust the tire pressure to the specification.

2.PERFORM ID REGISTRATION

Perform ID registration. Refer to [WT-23, "ID REGISTRATION PROCEDURE : Special Repair Requirement"](#).

>> END

C1729 VEHICLE SPEED SIGNAL

< DTC/CIRCUIT DIAGNOSIS >

C1729 VEHICLE SPEED SIGNAL

Description

INFOID:000000005853077

BCM detects no vehicle speed signal.

DTC Logic

INFOID:000000005853078

DTC DETECTION LOGIC

DTC number	Trouble diagnosis name	DTC detecting condition	Possible case
C1729	VHCL SPEED SIG ERR	Vehicle speed signal not detected.	<ul style="list-style-type: none">CAN communication errorUnified meter and A/C amp. malfunction

DTC CONFIRMATION PROCEDURE

1. DTC REPRODUCTION PROCEDURE

④ With CONSULT-III

- Drive for several minutes at a speed of 40 km/h (25 MPH) or more, then stop the vehicle.
- Perform "SELF-DIAG RESULTS" in "AIR PRESSURE MONITOR" of "BCM".

Is DTC "C1729" detected?

- YES >> Perform trouble diagnosis. Refer to [WT-33, "Diagnosis Procedure"](#).
NO >> INSPECTION END

Diagnosis Procedure

INFOID:000000005853079

1. PERFORM UNIFIED METER AND A/C AMP. SELF-DIAGNOSIS

④ With CONSULT-III

Perform "SELF-DIAG RESULTS" of "METER/M&A".

Is any DTC detected?

- YES >> Check the DTC. Refer to [BCS-73, "DTC Index"](#).
NO >> GO TO 2.

2. PERFORM SELF-DIAGNOSIS

④ With CONSULT-III

Perform "SELF-DIAG RESULTS" in "AIR PRESSURE MONITOR" of "BCM".

Is DTC "C1729" detected?

- YES >> Replace BCM. Refer to [BCS-14, "COMMON ITEM : CONSULT-III Function \(BCM - COMMON ITEM\)"](#).
NO >> GO TO 3.

3. CHECK INFORMATION

④ With CONSULT-III

- Perform "DATA MONITOR" in "AIR PRESSURE MONITOR" of "BCM".
- Select "BCM" in "DATA MONITOR", and check the input/output values. Refer to [BCS-42, "Reference Value"](#).

Is the inspection result normal?

- YES >> Check pin terminal and connection of each harness connector for malfunctioning conditions.
NO >> Replace BCM. Refer to [BCS-78, "Exploded View"](#).

Special Repair Requirement

INFOID:000000005853386

1. CHECK TIRE AIR PRESSURE

Check all tire air pressures. Refer to [WT-61, "Tire"](#).

Does all tire pressure data meet the specification?

C1729 VEHICLE SPEED SIGNAL

< DTC/CIRCUIT DIAGNOSIS >

YES >> GO TO 2.

NO >> Inspect or repair the tires or wheels and adjust the tire pressure to the specification.

2.PERFORM ID REGISTRATION

Perform ID registration. Refer to [WT-23, "ID REGISTRATION PROCEDURE : Special Repair Requirement"](#).

>> END

C1734 BCM

< DTC/CIRCUIT DIAGNOSIS >

C1734 BCM

DTC Logic

INFOID:000000005853081

DTC DETECTION LOGIC

DTC	Display item	Malfunction detected condition	Possible case
C1734	CONTROL UNIT	Tire pressure monitoring system malfunction in BCM	BCM malfunction

DTC CONFIRMATION PROCEDURE

1. DTC REPRODUCTION PROCEDURE

Ⓜ With CONSULT-III

1. Drive at a speed of 40 km/h (25 MPH) or more for several minutes without stopping.
2. Perform "SELF-DIAG RESULTS" in "AIR PRESSURE MONITOR" of "BCM".

CAUTION:

Perform within 15 minutes after stop the vehicle.

Is DTC "C1734" detected?

- YES >> Perform trouble diagnosis. Refer to [WT-35, "Diagnosis Procedure"](#).
 NO >> INSPECTION END

Diagnosis Procedure

INFOID:000000005853082

1. CHECK BCM POWER SUPPLY

1. Turn the ignition switch OFF.
2. Disconnect BCM harness connector.
3. Check voltage between BCM harness connector terminals and ground.

BCM		—	Voltage
Connector	Terminal		
M118	1	Ground	Battery voltage
M119	11		

Is the power supply normal?

- YES >> GO TO 2.
 NO >> Check the following. If any items are damaged, repair or replace damage parts.
- 40 A fusible link [No. K located in the fuse block]. Refer to [PG-116, "Fuse and Fusible Link Arrangement"](#).
 - 10 A fuse [No. 10 located in the fuse block (J/B)]. Refer to [PG-115, "Fuse, Connector and Terminal Arrangement"](#).
 - Harness for short or open between battery and BCM harness connector M118 terminal 1.
 - Harness for short or open between battery and BCM harness connector M119 terminal 11.
 - Check the Battery voltage.

2. CHECK BCM GROUND

Check the continuity between BCM harness connector and ground.

BCM		—	Continuity
Connector	Terminal		
M119	13	Ground	Existed

Is the inspection result normal?

- YES >> GO TO 3.
 NO >> Repair or replace damaged parts.

3. CHECK HARNESS BETWEEN BCM AND TIRE PRESSURE RECEIVER

1. Disconnect tire pressure receiver harness connector.
2. Check the continuity between BCM harness connector and tire pressure receiver harness connector.

C1734 BCM

< DTC/CIRCUIT DIAGNOSIS >

BCM		Tire pressure receiver		Continuity
Connector	Terminal	Connector	Terminal	
M123	137	M101	1	Existed
	138		4	
	139		2	

3. Check the continuity between BCM harness connector and ground.

BCM		—	Continuity
Connector	Terminal		
M123	137	Ground	Not existed
	138		
	139		

Is the inspection result normal?

- YES >> GO TO 4.
- NO >> Repair or replace damaged parts.

4.CHECK BCM

Check the BCM input/output signal. Refer to [BCS-42, "Reference Value"](#).

Is the inspection result normal?

- YES >> INSPECTION END
- NO >> GO TO 5.

5.CHECK BCM HARNESS CONNECTOR

Check the BCM pin terminals for damage or loose connection with harness connector.

Is the inspection result normal?

- YES >> Replace BCM. Refer to [BCS-78, "Exploded View"](#).
- NO >> Check for looseness or damage at the harness connector pins of the low tire pressure warning control unit. Repair or replace if necessary.

Special Repair Requirement

INFOID:000000005853387

1.CHECK TIRE AIR PRESSURE

Check all tire air pressures. Refer to [WT-61, "Tire"](#).

Does all tire pressure data meet the specification?

- YES >> GO TO 2.
- NO >> Inspect or repair the tires or wheels and adjust the tire pressure to the specification.

2.PERFORM ID REGISTRATION

Perform ID registration. Refer to [WT-23, "ID REGISTRATION PROCEDURE : Special Repair Requirement"](#).

>> END

TIRE PRESSURE RECEIVER

< DTC/CIRCUIT DIAGNOSIS >

TIRE PRESSURE RECEIVER

Component Function Check

INFOID:000000005853085

1. TIRE PRESSURE MONITORING SYSTEM OPERATION

④ With CONSULT-III

1. Drive for 3 minutes at a speed of 40 km/h (25 MPH) or more, then drive normally for 10 minutes.
2. On "DATA MONITOR", select "AIR PRESS FL", "AIR PRESS FR", "AIR PRESS RR" and "AIR PRESS RL", and check that the tire pressures match the standard value.

Monitor item	Condition	Displayed value
AIR PRESS FL	Drive for 3 minutes at a speed of 40 km/h (25 MPH) or more, then drive normally for 10 minutes.	Internal pressure of tires
AIR PRESS FR		
AIR PRESS RR		
AIR PRESS RL		

CAUTION:

Stop the vehicle and within 5 minutes, use CONSULT-III "DATA MONITOR" to display the tire pressure for all wheels.

Is the inspection result normal?

YES >> INSPECTION END

NO >> Perform trouble diagnosis. Refer to [WT-37, "Diagnosis Procedure"](#).

Diagnosis Procedure

INFOID:000000005853086

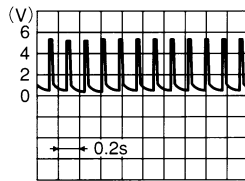
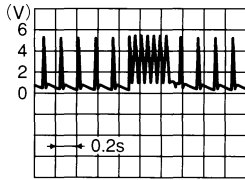
1. CHECK TIRE PRESSURE RECEIVER SIGNAL

1. Turn the ignition switch ON.

CAUTION:

Never start the engine.

2. Check tire pressure receiver connector and ground signal with oscilloscope.

Tire pressure receiver		—	Condition	Voltage (Approx.)
Connector	Terminal			
M101	2	Ground	Stand by state	 <p>OCC3881D</p>
			When receiving the signal from the transmitter	 <p>OCC3880D</p>

Is the inspection result normal?

YES >> INSPECTION END

NO >> GO TO 2.

2. CHECK TIRE PRESSURE RECEIVER INPUT VOLTAGE

1. Disconnect tire pressure receiver connector.
2. Check voltage between tire pressure receiver connector and ground.

TIRE PRESSURE RECEIVER

< DTC/CIRCUIT DIAGNOSIS >

Tire pressure receiver		—	Voltage (Approx.)
Connector	Terminal		
M101	4	Ground	5.0 V

Is the inspection result normal?

YES >> GO TO 3.

NO >> Repair or replace damaged parts.

3. CHECK TIRE PRESSURE RECEIVER GROUND CIRCUIT

1. Disconnect BCM harness connector.
2. Check continuity between BCM harness connector and tire pressure receiver connector.

BCM		Tire pressure receiver		Continuity
Connector	Terminal	Connector	Terminal	
M123	137	M101	1	Existed

3. Check continuity between BCM harness connector and ground.

BCM		—	Continuity
Connector	Terminal		
M123	137	Ground	Not existed

Is the inspection result normal?

YES >> GO TO 4.

NO >> Repair or replace damaged parts.

4. CHECK BCM CIRCUIT

Inspect the BCM circuit. Refer to [WT-35, "Diagnosis Procedure"](#).

Is the BCM circuit normal?

YES >> Replace tire pressure receiver. Refer to [WT-60, "Exploded View"](#).

NO >> Replace BCM. Refer to [BCS-78, "Exploded View"](#).

TIRE PRESSURE WARNING CHECK SWITCH

< DTC/CIRCUIT DIAGNOSIS >

TIRE PRESSURE WARNING CHECK SWITCH

Component Function Check

INFOID:000000005853087

1. CHECK THE ILLUMINATION OF THE LOW TIRE PRESSURE WARNING LAMP

1. Turn the ignition switch ON.

CAUTION:

Never start the engine.

2. Short-circuit the tire pressure warning check switch connector terminal to the ground.
3. Check that the low tire pressure warning lamp blinking.

Is inspection result normal?

YES >> INSPECTION END

NO >> Perform diagnosis. Refer to [WT-39. "Diagnosis Procedure"](#).

Diagnosis Procedure

INFOID:000000005853088

1. CHECK TIRE PRESSURE WARNING CHECK SWITCH SIGNAL

1. Turn the ignition switch ON.

CAUTION:

Never start the engine.

2. Check the voltage between tire pressure warning check switch connector and ground.

Tire pressure warning check switch		—	Voltage (Approx.)
Connector	Terminal		
M23	1	Ground	5 V

Is the inspection result normal?

YES >> Replace BCM. Refer to [BCS-78. "Exploded View"](#).

NO >> GO TO 2.

2. CHECK TIRE PRESSURE WARNING CHECK SWITCH CIRCUIT

1. Turn the ignition switch OFF.
2. Disconnect BCM harness connector
3. Check the continuity between BCM harness connector and tire pressure warning check switch connector.

BCM		Tire pressure warning check switch		Continuity
Connector	Terminal	Connector	Terminal	
M123	149	M23	1	Existed

4. Check the continuity between BCM harness connector and ground.

BCM		—	Continuity
Connector	Terminal		
M123	149	Ground	Not existed

Is the inspection result normal?

YES >> Check BCM pin terminals for damage or loose connection with harness connector. If any items are damaged, repair or replace damaged parts. Replace BCM. Refer to [BCS-78. "Exploded View"](#).

NO >> Repair or replace damaged parts.

LOW TIRE PRESSURE WARNING LAMP

< DTC/CIRCUIT DIAGNOSIS >

LOW TIRE PRESSURE WARNING LAMP

Component Function Check

INFOID:000000005853089

1. CHECK THE ILLUMINATION OF THE LOW TIRE PRESSURE WARNING LAMP

Check that the low tire pressure warning lamp is turned OFF after illuminating for approximately 1 second, when the ignition switch is turned ON.

Is the inspection result normal?

YES >> INSPECTION END

NO >> Perform trouble diagnosis. Refer to [WT-40, "Diagnosis Procedure"](#).

Diagnosis Procedure

INFOID:000000005853090

1. POWER SUPPLY AND GROUND CIRCUIT

Check power supply and ground circuit. Refer to [WT-41, "Diagnosis Procedure"](#).

Is the inspection result normal?

YES >> GO TO 2.

NO >> Repair or replace damaged parts.

2. PERFORM SELF-DIAGNOSIS

Ⓜ With CONSULT-III

Perform "SELF-DIAG RESULTS" in "AIR PRESSURE MONITOR" of "BCM".

Is any DTC detected?

YES >> Check the DTC. Refer to [BCS-73, "DTC Index"](#).

NO >> GO TO 3.

3. CHECK LOW TIRE PRESSURE WARNING LAMP SIGNAL

Ⓜ With CONSULT-III

1. Turn the ignition switch ON.

CAUTION:

Never start the engine.

2. Perform "DATA MONITOR" in "AIR PRESSURE MONITOR" of "BCM".

3. Select "BCM" in "DATA MONITOR", and check that the low tire pressure warning lamp is turned OFF after illuminating for approximately 1 second, when the ignition switch is turned ON.

Is the inspection result normal?

YES >> Check the combination meter. Refer to [MWI-6, "METER SYSTEM : System Description"](#).

NO >> Replace the BCM. Refer to [BCS-78, "Exploded View"](#).

POWER SUPPLY AND GROUND CIRCUIT

< DTC/CIRCUIT DIAGNOSIS >

POWER SUPPLY AND GROUND CIRCUIT

Diagnosis Procedure

INFOID:000000005853091

1. POWER SUPPLY SYSTEM CHECK

1. Turn the ignition switch OFF.
2. Disconnect the BCM harness connector.
3. Turn the ignition switch ON.
CAUTION:
Never start the engine.
4. Check the voltage between the BCM harness connector and the ground.

BCM		—	Voltage
Connector	Terminal		
M118	1	Ground	Battery voltage
M119	11		

Is the inspection result normal?

- YES >> GO TO 2.
NO >> Repair or replace damaged parts.

2. GROUND SYSTEM INSPECTION

1. Turn the ignition switch OFF.
2. Check the continuity between the BCM harness connector and the ground.

BCM		—	Continuity
Connector	Terminal		
M119	13	Ground	Existed

Is the inspection result normal?

- YES >> • Check the 10 A fuse [No. 10 in fuse block (J/B)].
• Check the 40 A fusible link [No. K in fuse block].
NO >> Repair or replace damaged parts.

A
B
C
D
E
F
G
H
I
J
K
L
M
N
O
P

WT

< SYMPTOM DIAGNOSIS >

SYMPTOM DIAGNOSIS

TPMS















Symptom Table

INFOID:000000005853092

LOW TIRE PRESSURE WARNING LAMP SYMPTOM CHART

TPMS


< SYMPTOM DIAGNOSIS >

Diagnosis items	Symptom (Ignition switch ON)	Low tire pressure warning lamp	Cause	Action
Low tire pressure warning lamp	The low tire pressure warning lamp illuminates for 1 second, then turns OFF.	 ON 1 sec > stays OFF SEIA0592E	Wake-up operation for all transmitters at wheels is completed.	No system malfunctions
	The low tire pressure warning lamp repeats blinking ON for 2 seconds and OFF for 0.2 seconds.	 Blinks:  ON 2 sec > OFF 0.2 sec SEIA0593E	Wake-up operation for all transmitters at wheels is not completed.	Perform the wake-up operation for all transmitters at wheels. Refer to WT-23, "TRANSMITTER WAKE UP OPERATION : Special Repair Requirement" .
	The low tire pressure warning lamp blinks once.	 Blinks 1 time ON 0.3 sec > OFF 1.3 sec SEIA0594E	The front left transmitter is not activated.	Perform the wake-up operation for the transmitter at front left wheel. Refer to WT-23, "TRANSMITTER WAKE UP OPERATION : Special Repair Requirement" .
	The low tire pressure warning lamp repeats blinking twice.	  Blinks 2 times ON 0.3 sec > OFF 0.3 sec SEIA0595E	The front right transmitter is not activated.	Perform the wake-up operation for the transmitter at front right wheel. Refer to WT-23, "TRANSMITTER WAKE UP OPERATION : Special Repair Requirement" .
	The low tire pressure warning lamp repeats blinking for 3 times.	   Blinks 3 times ON 0.3 sec > OFF 0.3 sec SEIA0596E	The rear right transmitter is not activated.	Perform the wake-up operation for the transmitter at rear right wheel. Refer to WT-23, "TRANSMITTER WAKE UP OPERATION : Special Repair Requirement" .
	The low tire pressure warning lamp repeats blinking for 4 times.	    Blinks 4 times ON 0.3 sec > OFF 0.3 sec SEIA0597E	The rear left transmitter is not activated.	Perform the wake-up operation for the transmitter at rear left wheel. Refer to WT-23, "TRANSMITTER WAKE UP OPERATION : Special Repair Requirement" .
	The low tire pressure warning lamp turns ON and stays illuminated.	 Comes ON and stays ON SEIA0598E	Low tire pressure	Check the tire pressure for all wheels and adjust to the specified value. Refer to WT-61, "Tire" .

A
B
C
D
WT
F
G
H
I
J
K
L
M
N
O
P

TPMS

< SYMPTOM DIAGNOSIS >

Diagnosis items	Symptom (Ignition switch ON)	Low tire pressure warning lamp	Cause	Action
Low tire pressure warning lamp	The low tire pressure warning lamp repeats blinking at 0.5-second intervals for 1 minute, and then stays illuminated.	 <p style="text-align: center;">Blinks 1 min</p> <p style="text-align: center;">ON 0.5 sec > OFF 0.5 sec and stays ON</p> <p style="text-align: right; font-size: small;">SEIA0788E</p>	The combination meter fuse is open or removed (or pulled out).	Check and install the combination meter fuse. If necessary, replace the fuse.
			The low tire pressure warning control unit harness connector is removed.	Check the connection conditions of the low tire pressure warning control unit harness connector, and repair if necessary.
			Tire Pressure Monitoring System (TPMS) malfunction.	<ul style="list-style-type: none"> • Perform CONSULT-III self-diagnosis. Refer to WT-11, "COMMON ITEM : CONSULT-III Function (BCM - COMMON ITEM)". • If necessary, perform transmitter ID registration. Refer to WT-23, "ID REGISTRATION PROCEDURE : Special Repair Requirement".
Turn signal lamp	The turn signal lamps do not blink twice when the transmitter is activated. Or the buzzer does not sound.	—	<ol style="list-style-type: none"> 1. The transmitter activation tool (J-45295) does not activate. 2. The ignition switch is OFF when the transmitter wake-up operation is performed. 3. The transmitter activation tool (J-45295) is not used in the correct position. 4. The transmitter is already waked up. 	<ol style="list-style-type: none"> 1. Replace the battery in the transmitter activation tool (J-45295). 2. Turn the ignition switch ON when performing the transmitter wake-up operation. 3. Operate the transmitter activation tool (J-45295) in the correct position when performing the wake-up operation. 4. No procedure.

NOTE:

If transmitter wake-up operation is not completed for two or more transmitters, the applicable low tire pressure warning lamp blinking patterns are displayed continuously.

(Example: Blinks once/OFF/blinks 3 times = Wake-up operation is not completed at the front left wheel and rear right wheel transmitters.)

LOW TIRE PRESSURE WARNING LAMP DOES NOT BLINKS

< SYMPTOM DIAGNOSIS >

LOW TIRE PRESSURE WARNING LAMP DOES NOT BLINKS

Description

INFOID:000000005853093

DESCRIPTION

The low tire pressure warning lamp illuminates for approximately 1 second and then turns OFF when the ignition switch is turned ON. This is to check that no abnormal condition is present in the tire pressure monitoring system.

The lamp bulb may be burnt out or the tire pressure monitoring system may be malfunctioning if the low tire pressure warning lamp does not illuminate when the ignition switch is turned ON.

Diagnosis Procedure

INFOID:000000005853094

1. CHECK LOW TIRE PRESSURE WARNING LAMP

Perform trouble diagnosis of the low tire pressure warning lamp. Refer to [WT-40, "Diagnosis Procedure"](#).

Is the inspection result normal?

- YES >> Check pin terminal and connection of each connector for damage and loose connection.
- NO >> Repair or replace damaged parts.

A
B
C
D
WT
F
G
H
I
J
K
L
M
N
O
P

LOW TIRE PRESSURE WARNING LAMP DOES NOT TURN OFF

< SYMPTOM DIAGNOSIS >

LOW TIRE PRESSURE WARNING LAMP DOES NOT TURN OFF

Description

INFOID:000000005853095

The low tire pressure warning lamp does not turn OFF after several seconds is passed after engine starts.

Diagnosis Procedure

INFOID:000000005853096

1.CHECK TIRE PRESSURE

1. Turn the ignition switch ON.

CAUTION:

Never start the engine.

2. Check the tire pressure for all wheels and adjust to the specified value. Refer to [WT-61, "Tire"](#).

Is the inspection result normal?

YES >> GO TO 2.

NO >> Inspect or repair the tires or wheels.

2.CHECK LOW TIRE PRESSURE WARNING LAMP

Check low tire pressure warning lamp display.

Does not low tire pressure warning lamp turn OFF?

YES >> GO TO 3.

NO >> INSPECTION END

3.CHECK BCM

ⓅWith CONSULT-III

Perform "SELF-DIAG RESULTS" in "AIR PRESSURE MONITOR" of "BCM".

Is any DTC detected?

YES >> Check the DTC. Refer to [BCS-73, "DTC Index"](#).

NO >> GO TO 4.

4.CHECK BCM POWER SUPPLY AND GROUND

1. Turn the ignition switch OFF.
2. Disconnect the BCM harness connector.
3. Turn the ignition switch ON.
CAUTION:
Never start the engine.
4. Check the voltage between the BCM harness connector and the ground.

BCM		—	Voltage
Connector	Terminal		
M118	1	Ground	Battery voltage
M119	11		

Is the inspection result normal?

YES >> Replace BCM. Refer to [BCS-78, "Exploded View"](#).

NO >> Repair or replace damaged parts.

LOW TIRE PRESSURE WARNING LAMP BLINKS

< SYMPTOM DIAGNOSIS >

LOW TIRE PRESSURE WARNING LAMP BLINKS

Description

INFOID:000000005853097

DESCRIPTION

The low tire pressure warning lamp illuminates or blinks.

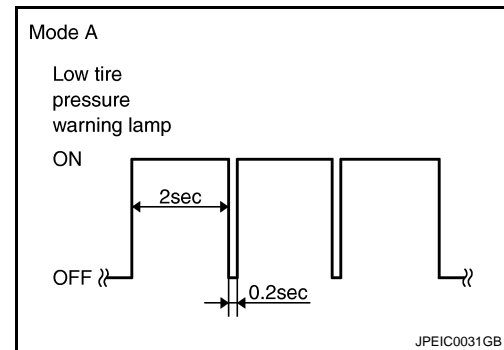
However, a check is necessary because the symptom may not be caused by a system malfunction. For example, the transmitter may not be initialized.

NOTE:

If low tire pressure warning lamp blinks as shown in the figure, the system is normal.

Blink Mode A

- This mode shows transmitter status is in OFF- mode. Perform transmitter wake up operation. Refer to [WT-23, "TRANSMITTER WAKE UP OPERATION : Special Repair Requirement"](#).



Diagnosis Procedure

INFOID:000000005853098

1. CHECK TIRE PRESSURE WARNING CHECK SWITCH POWER SUPPLY

- Turn the ignition switch ON.

CAUTION:

Never start the engine.

- Check voltage between tire pressure warning check switch connector and ground.

Tire pressure warning check switch		—	Voltage (Approx.)
Connector	Terminal		
M23	1	Ground	5 V

Is the inspection result normal?

YES >> GO TO 2.

NO >> Ripper or replace error-detected damaged parts.

2. CHECK TIRE PRESSURE WARNING CHECK SWITCH CIRCUIT

- Turn the ignition switch OFF.
- Disconnect BCM harness connector.
- Check the continuity between BCM harness connector and tire pressure warning check switch connector.

BCM		Tire pressure warning check switch		Continuity
Connector	Terminal	Connector	Terminal	
M123	149	M23	1	Existed

- Check the continuity between BCM harness connector and ground.

BCM		—	Continuity
Connector	Terminal		
M123	149	Ground	Not existed

Is the inspection result normal?

YES >> GO TO 3.

NO >> Ripper or replace error-detected damaged parts.

LOW TIRE PRESSURE WARNING LAMP BLINKS

< SYMPTOM DIAGNOSIS >

3.CHECK BCM

Check the BCM input/output signal. Refer to [BCS-42. "Reference Value"](#).

Is the inspection result normal?

- YES >> Check the tire pressure warning check switch. Refer to [WT-39. "Diagnosis Procedure"](#).
NO >> Repair or replace the BCM.

TURN SIGNAL LAMP BLINKS

< SYMPTOM DIAGNOSIS >

TURN SIGNAL LAMP BLINKS

Description

INFOID:000000005853099

DESCRIPTION

The turn signal lamp blinks when the ignition switch is turned ON.
The BCM connector or circuit may have a malfunction.

Diagnosis Procedure

INFOID:000000005853100

1. CHECK TIRE PRESSURE WARNING CHECK SWITCH POWER SUPPLY CIRCUIT

1. Turn the ignition switch ON.

CAUTION:

Never start the engine.

2. Check voltage between tire pressure warning check switch connector and ground.

Tire pressure warning check switch		—	Voltage (Approx.)
Connector	Terminal		
M23	1	Ground	5 V

Is the inspection result normal?

YES >> GO TO 2.

NO >> Repair or replace damaged parts.

2. CHECK TIRE PRESSURE WARNING CHECK SWITCH CIRCUIT

1. Turn the ignition switch OFF.
2. Disconnect BCM harness connector.
3. Check the continuity between BCM harness connector and tire pressure warning check switch connector.

BCM		Tire pressure warning check switch		Continuity
Connector	Terminal	Connector	Terminal	
M123	149	M23	1	Existed

4. Check the continuity between BCM harness connector and ground.

BCM		—	Continuity
Connector	Terminal		
M123	149	Ground	Not existed

Is the inspection result normal?

YES >> Check the turn signal lamp operation. Refer to [BCS-31, "SIGNAL BUFFER : CONSULT-III Function \(BCM - SIGNAL BUFFER\)"](#).

NO >> Repair or replace damaged parts.

ID REGISTRATION CANNOT BE COMPLETED

< SYMPTOM DIAGNOSIS >

ID REGISTRATION CANNOT BE COMPLETED

Description

INFOID:000000005853101

DESCRIPTION

The ID of the transmitter installed in each wheel cannot be registered in the tire pressure monitoring system. Inspect the transmitter or the tire pressure monitoring system circuit.

Diagnosis Procedure

INFOID:000000005853102

1. CHECK TRANSMITTER ID REGISTRATION

1. Perform transmitter ID registration for all wheels. Refer to [WT-23, "ID REGISTRATION PROCEDURE : Special Repair Requirement"](#).
2. Drive for 3 minutes at a speed of 40 km/h (25 MPH) or more, then drive normally for 10 minutes.
3. Perform "DATA MONITOR" in "AIR PRESSURE MONITOR" of "BCM".
4. Select "BCM" in "DATA MONITOR", and check that the tire pressures match the standard value.

Monitor item	Measuring condition	Displayed value
AIR PRESS FL	Drive for 3 minutes at a speed of 40 km/h (25 MPH) or more, then drive normally for 10 minutes.	Internal pressure of tires
AIR PRESS FR		
AIR PRESS RR		
AIR PRESS RL		

CAUTION:

Stop the vehicle and within 5 minutes, use "DATA MONITOR" in "AIR PRESSURE MONITOR" of "BCM" to display the tire pressure for all wheels.

Is the inspection result normal?

YES >> INSPECTION END

NO >> GO TO 2.

2. CHECK TRANSMITTERS

1. Perform trouble diagnosis for the transmitter. Refer to [WT-28, "Diagnosis Procedure"](#).
2. Perform transmitter ID registration for all wheels. Refer to [WT-23, "ID REGISTRATION PROCEDURE : Special Repair Requirement"](#).
3. Check that transmitter ID registration is completed for all wheels.

Is transmitter ID registration for all wheels been completed?

YES >> INSPECTION END

NO >> Replace the transmitter. Refer to [WT-58, "Exploded View"](#).

NORMAL OPERATING CONDITION

< SYMPTOM DIAGNOSIS >

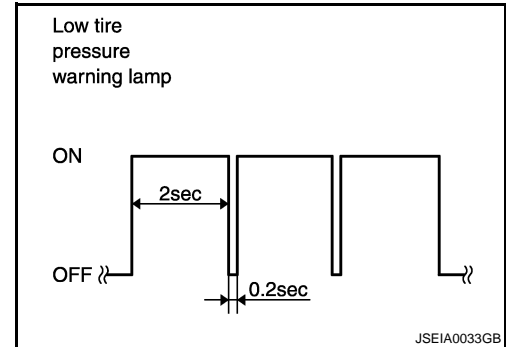
NORMAL OPERATING CONDITION

Description

INFOID:000000005853103

LOW TIRE PRESSURE WARNING LAMP BLINKS

If the low tire pressure warning lamp blinks as shown in the figure after the ignition switch is turned ON, the transmitter is not waked up. Perform the transmitter wake-up operation. Refer to [WT-23. "TRANSMITTER WAKE UP OPERATION : Special Repair Requirement"](#).



A
B
C
D
WT
F
G
H
I
J
K
L
M
N
O
P

NOISE, VIBRATION AND HARSHNESS (NVH) TROUBLESHOOTING

< SYMPTOM DIAGNOSIS >

NOISE, VIBRATION AND HARSHNESS (NVH) TROUBLESHOOTING

NVH Troubleshooting Chart

INFOID:000000005853104

Use chart below to find the cause of the symptom. If necessary, repair or replace these parts.

Symptom		Possible cause and SUSPECTED PARTS	Reference page	
			2WD models: FSU-9 , FSU-12	AWD models: FSU-31 , FSU-35
TIRES	Noise	Improper installation, looseness	WT-56, "Inspection"	WT-53, "Adjustment"
	Shake	Out-of-round	WT-61, "Tire"	WT-53, "Adjustment"
	Vibration	unbalance	—	—
	Shimmy	Incorrect tire pressure	WT-61, "Tire"	WT-53, "Adjustment"
	Judder	Uneven tire wear	—	—
	Poor quality ride or handling	Deformation or damage	—	—
		Non-uniformity	WT-61, "Tire"	
		Incorrect tire size	NVH in DLN section.	
		PROPELLER SHAFT	NVH in DLN section.	
		DIFFERENTIAL	NVH in DLN section.	
ROAD WHEEL	Noise	FRONT AXLE AND FRONT SUSPENSION		NVH in FAX and FSU sections.
	Shake	REAR AXLE AND REAR SUSPENSION		NVH in RAX and RSU sections.
	Shimmy, Judder	TIRES		Refer to TIRES in this chart.
	Poor quality ride or handling	ROAD WHEELS		Refer to ROAD WHEEL in this chart.
		DRIVE SHAFT		NVH in FAX, RAX section.
		BRAKE		NVH in BR section.
		STEERING		NVH in ST section.

x: Applicable

ROAD WHEEL

< PERIODIC MAINTENANCE >

PERIODIC MAINTENANCE

ROAD WHEEL

Adjustment

INFOID:000000005653813

BALANCING WHEELS (BONDING WEIGHT TYPE)

Preparation Before Adjustment

Using releasing agent, remove double-faced adhesive tape from the road wheel.

CAUTION:

- **Be careful not scratch the road wheel during removal.**
- **After removing double-faced adhesive tape, wipe clean traces of releasing agent from the road wheel.**

Wheel Balance Adjustment

- If a tire balance machine has adhesion balance weight mode settings and drive-in weight mode setting, select and adjust a drive-in weight mode suitable for road wheels.

1. Set road wheel on tire balance machine using the center hole as a guide. Start the tire balance machine.
2. When inner and outer unbalance values are shown on the tire balance machine indicator, multiply outer unbalance value by $5/3$ to determine balance weight that should be used. Select the outer balance weight with a value closest to the calculated value above and install in to the designated outer position of, or at the designated angle in relation to the road wheel.

CAUTION:

- **Never install the inner balance weight before installing the outer balance weight.**
- **Before installing the balance weight, be sure to clean the mating surface of the road wheel.**

- a. Indicated un balance value $\times 5/3 =$ balance weight to be installed

Calculation example:

$23 \text{ g (0.81 oz)} \times 5/3 = 38.33 \text{ g (1.35 oz)} \Rightarrow 37.5 \text{ g (1.32 oz)}$ balance weight (closer to calculated balance weight value)

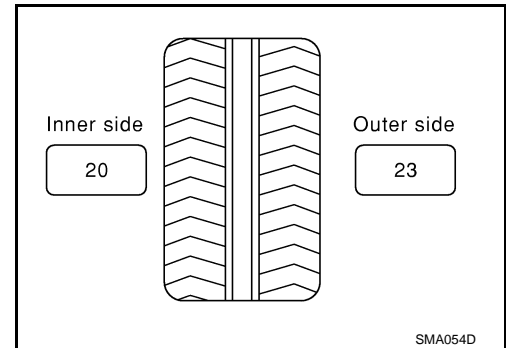
NOTE:

Note that balance weight value must be closer to the calculated balance weight value.

Example:

$36.2 \Rightarrow 35 \text{ g (1.23 oz)}$

$36.3 \Rightarrow 37.5 \text{ g (1.32 oz)}$



- b. Installed balance weight in the position.

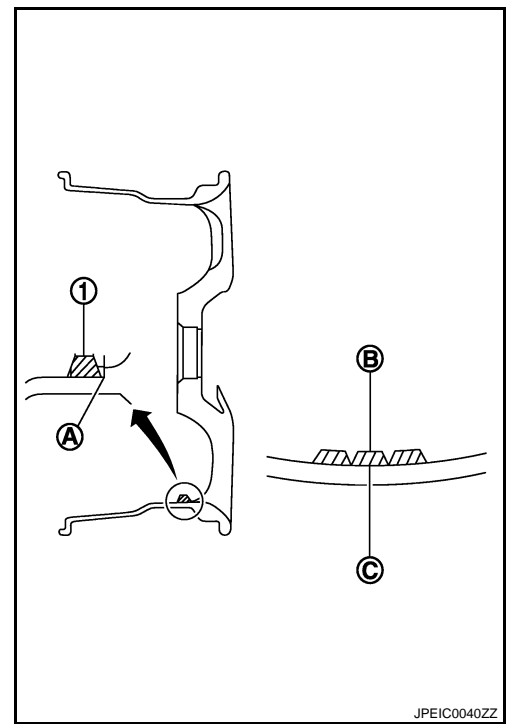
ROAD WHEEL

< PERIODIC MAINTENANCE >

- When installing balance weight (1) to road wheels, set it into the grooved area (A) on the inner wall of the road wheel as shown in the figure so that the balance weight center (B) is aligned with the tire balance machine indication position (angle) (C).

CAUTION:

- Always use genuine NISSAN adhesion balance weights.
- Balance weights are non-reusable; always replace with new ones.
- Never install more than three sheets of balance weight.



JPEIC0040ZZ

- If calculated balance weight value exceeds 50 g (1.76 oz), install two balance weight sheets in line with each other as shown in the figure.

CAUTION:

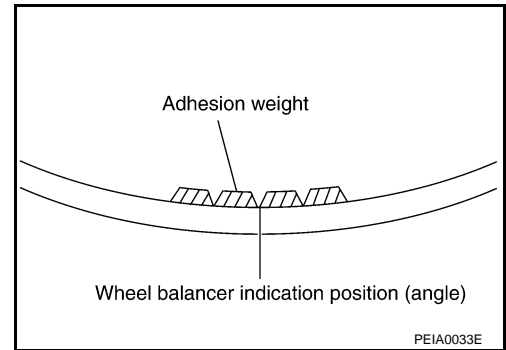
Never install one balance weight sheet on top another.

- Start tire balance machine again.
- Install drive-in balance weight on inner side of road wheel in the tire balance machine indication position (angle).

CAUTION:

Never install more than two balance weight.

- Start tire balance machine. Make sure that inner and outer residual unbalance values are 5 g (0.17 oz) each or below.
- If either residual unbalance value exceeds 5 g (0.17 oz), repeat installation procedures.



PEIA0033E

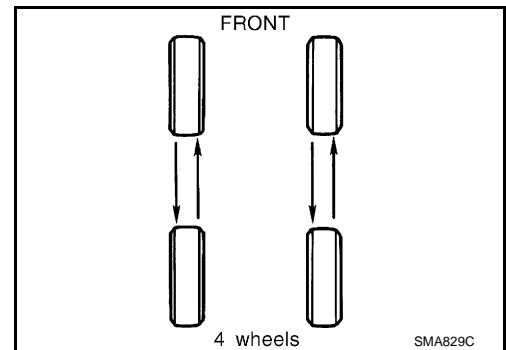
Wheel balance	Dynamic (At flange)	Static (At flange)
Maximum allowable unbalance	Refer to WT-61, "Road Wheel" .	

TIRE ROTATION (for 18 inch wheel models)

- Follow the maintenance schedule for tire rotation service intervals. Refer to [MA-4, "Explanation of General Maintenance"](#).
- When installing the wheel, tighten wheel nuts to the specified torque.

CAUTION:

- Never include the T-type spare tire when rotating the tires.
- When installing wheels, tighten them diagonally by dividing the work two to three times in order to prevent the wheels from developing any distortion.
- Be careful not to tighten wheel nut at torque exceeding the criteria for preventing strain of disc rotor.
- Use NISSAN genuine wheel nuts for aluminum wheels.



4 wheels

SMA829C

Wheel nuts tightening torque : Refer to [WT-56, "Exploded View"](#).

ROAD WHEEL

< PERIODIC MAINTENANCE >

- Perform the ID registration, after tire rotation. Refer to [WT-23, "ID REGISTRATION PROCEDURE : Special Repair Requirement"](#).

TIRE ROTATION (for 19 inch wheel models)

- Tire cannot be rotated in vehicle, as front tire are different size from rear tire is fixed in each tire.

Wheel nuts tightening torque : Refer to [WT-61, "Road Wheel"](#).

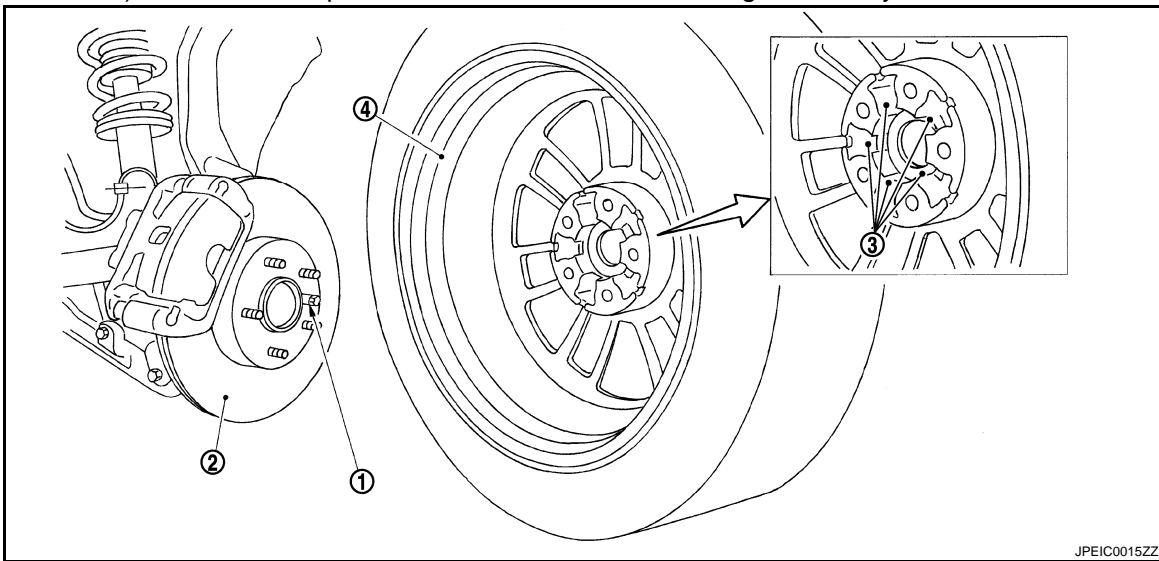
CAUTION:

- **Never include the T-type spare tire when rotating the tires.**
- **Use NISSAN genuine wheel nuts for aluminum wheels.**

Safety Device Preventing from Being Incorrectly installed

FRONT BRAKE DISC ROTOR AND FRONT WHEEL

- Front and rear wheel size for this model differs, therefore special pin (1) is adopted to the front brake disc rotor (2). And a hole (3) that matches to this pin is adopted to the front wheel (4) (the rear wheel does not have this wheel). This structure prevents the rear wheel from being mistakenly installed on the front.

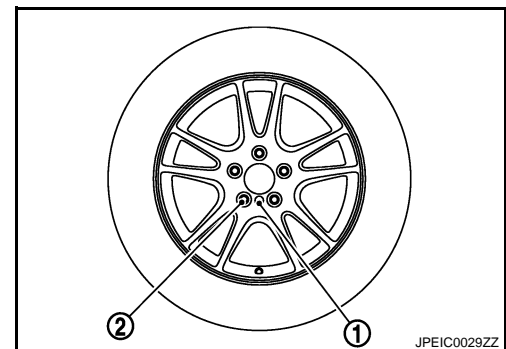


T-TYPE SPARE TIRE WHEEL

- Regarding spare tire (for emergency) wheel, wrong assembly protection pin through hole (1) has been set in addition to regular bolt holes (2) in order to enable installation to front wheel.

NOTE:

Protection pin through hole of 18 inch spare wheel is non-through type.



ROAD WHEEL TIRE ASSEMBLY

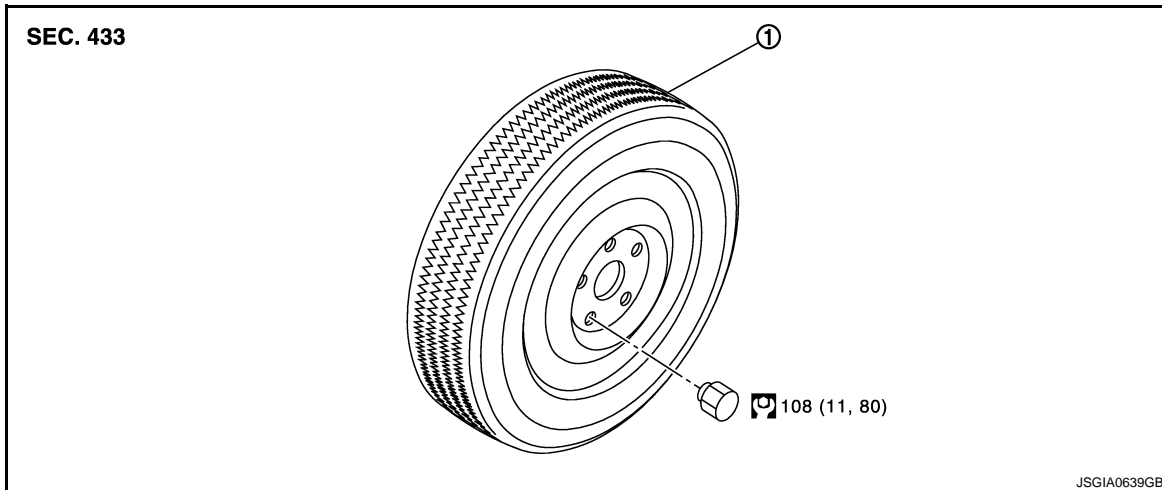
< REMOVAL AND INSTALLATION >

REMOVAL AND INSTALLATION

ROAD WHEEL TIRE ASSEMBLY

Exploded View

INFOID:000000005853107



1. Tire assembly

Refer to [GI-4. "Components"](#) for symbols in the figure.

Removal and Installation

INFOID:000000005853108

REMOVAL

1. Remove wheel nuts.
2. Remove tire assembly.

INSTALLATION

Install in the reverse order of removal.

Inspection

INFOID:00000000585312

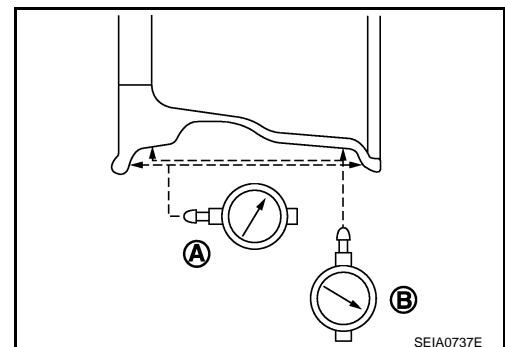
ALUMINUM WHEEL

1. Check tires for wear and improper inflation.
2. Check wheels for deformation, cracks and other damage. If deformed, remove wheel and check wheel runout.
 - a. Remove tire from aluminum wheel and mount on a tire balance machine.
 - b. Set dial indicator as shown in the figure.
 - c. If the lateral deflection (A) or vertical deflection (B) for radial runout value exceeds the limit, replace aluminum wheel.

Limit

A: Refer to [WT-61. "Road Wheel"](#).

B: Refer to [WT-61. "Road Wheel"](#).



STEEL WHEEL

1. Check tires for were and improper inflation.

ROAD WHEEL TIRE ASSEMBLY

< REMOVAL AND INSTALLATION >

2. Check wheels for deformation, clacks and other damage. If deformed, remove wheel and check wheel runout.
 - a. Remove tire from steel wheel and mount wheel on a tire balance machine.
 - b. Set two dial indicators as shown in the illustration.
 - c. Set each dial indicator to "0".
 - d. Rotate wheel and check dial indicators at several points around the circumference of the wheel.
 - e. Calculate runout at each point as shown below.

Lateral runout limit (A): $(1+2)/2$

Radial runout limit (B): $(3+4)/2$

- f. Select maximum positive runout value and the maximum negative value. Add the two values to determine total runout.

CAUTION:

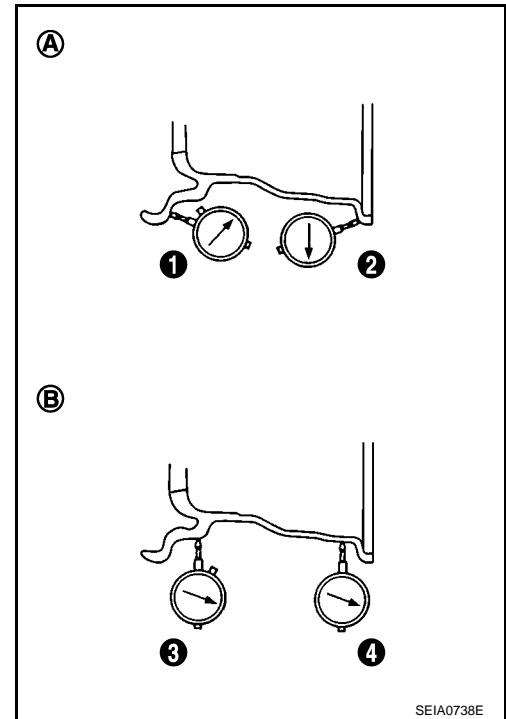
In case a positive or negative value is not available, use the maximum value (negative or positive) for total runout.

Limit

A: Refer to [WT-61, "Road Wheel"](#).

B: Refer to [WT-61, "Road Wheel"](#).

- g. If the total runout value exceeds limit, replace steel wheel.



A
B
C
D
WT
F
G
H
I
J
K
L
M
N
O
P

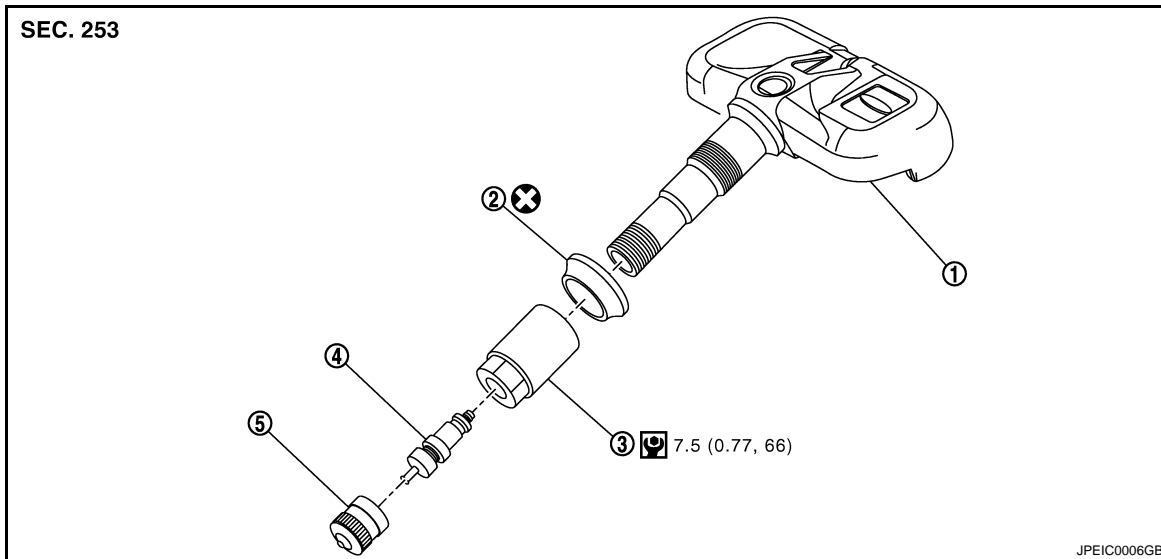
TRANSMITTER

< REMOVAL AND INSTALLATION >

TRANSMITTER

Exploded View

INFOID:000000005653814



- | | | |
|----------------|-----------------|--------------|
| 1. Transmitter | 2. Grommet seal | 3. Valve nut |
| 4. Valve core | 5. Cap | |

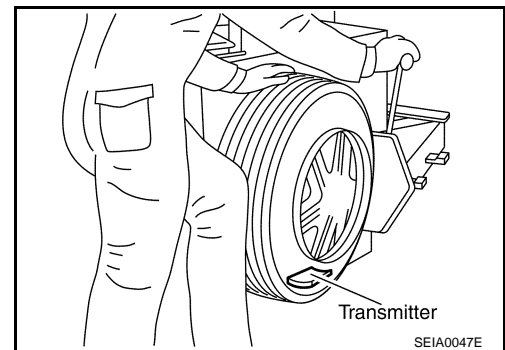
Refer to [GI-4. "Components"](#) for symbols in figure.

Removal and Installation

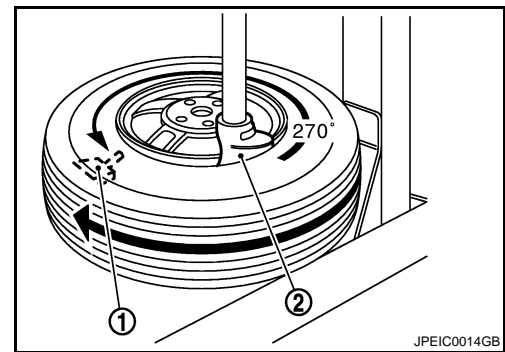
INFOID:000000005653815

REMOVAL

1. Deflate tire. Unscrew transmitter retaining nut and allow transmitter to fall into tire.
2. Gently bounce tire so that transmitter falls to bottom of tire. Place on tire changing machine and break both tire beads ensuring that the transmitter remains at the bottom of the tire.



3. Turn tire so that valve hole is at bottom and bounce so that transmitter (1) is near valve hole. Carefully lift tire onto turntable and position valve hole (and transmitter) 270 degree from mounting/dismounting head (2).
4. Lubricate tire well and remove first side of the tire. Reach inside the tire and remove the transmitter.

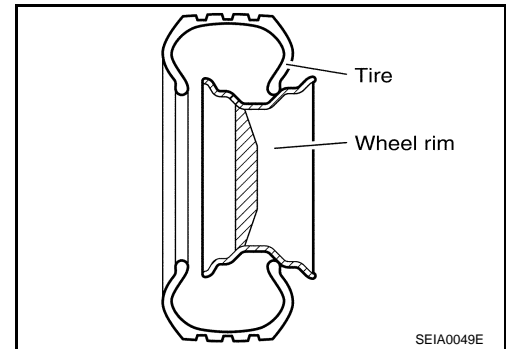


INSTALLATION

TRANSMITTER

< REMOVAL AND INSTALLATION >

1. Put first side of tire onto rim.



2. Mount transmitter on rim and tighten nut.

CAUTION:

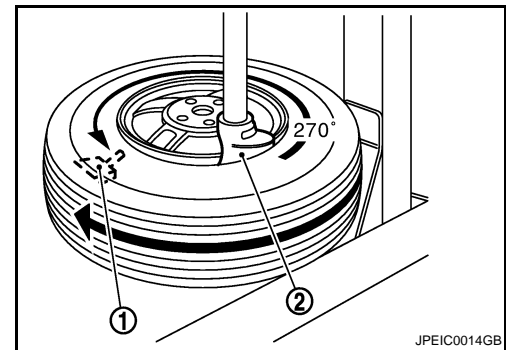
Speed for tightening nut should be less than 15 rpm.

3. Place wheel on turntable of tire machine. Ensure that transmitter (1) is 270 degree from mounting head (2) when second side of tire is fitted.

NOTE:

Do not touch transmitter at mounting head.

4. Lubricate tire well and fit second side of tire as normal. Ensure that tire does not rotate relative to rim.
5. Inflate tire and fit to appropriate wheel position.



A
B
C
D

WT

F
G
H
I
J
K
L
M
N
O
P

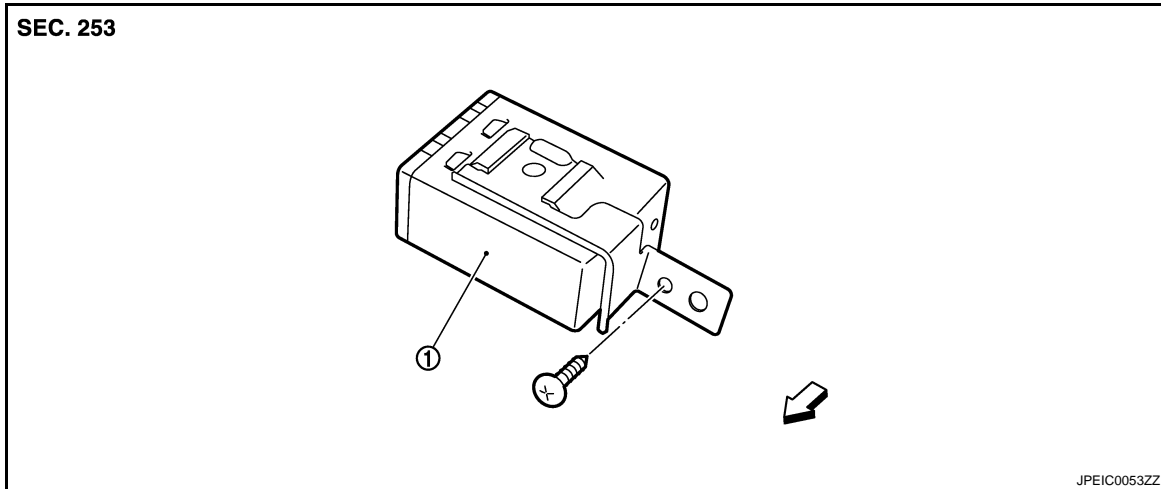
TIRE PRESSURE RECEIVER

< REMOVAL AND INSTALLATION >

TIRE PRESSURE RECEIVER

Exploded View

INFOID:000000005653816



1. Tire pressure receiver

← Vehicle front

Removal and Installation

INFOID:000000005653817

REMOVAL

1. Remove the instrument lower cover. Refer to [IP-12. "A/T MODELS : Exploded View"](#) (A/T) or [IP-22. "M/T MODELS : Exploded View"](#) (M/T).
2. Remove the glove box assembly.
3. Remove the instrument lower panel RH.
4. Disconnect tire pressure receiver harness connector.
5. Remove Tire pressure receiver mounting screw.
6. Remove tire pressure receiver.

INSTALLATION

Install is the reverse order of removal.

SERVICE DATA AND SPECIFICATIONS (SDS)

< SERVICE DATA AND SPECIFICATIONS (SDS)

SERVICE DATA AND SPECIFICATIONS (SDS)

SERVICE DATA AND SPECIFICATIONS (SDS)

Road Wheel

INFOID:0000000005653818

ALUMINUM WHEEL (CONVENTIONAL)

Item		Limit
Radial runout	Lateral deflection	Less than 0.3 mm (0.012 in)
	Vertical deflection	
Allowable unbalance	Dynamic (At flange)	Less than 5 g (0.17 oz) (one side)
	Static (At flange)	Less than 10 g (0.35 oz)

STEEL WHEEL (FOR EMERGENCY USE)

Item		Limit
Radial runout	Lateral deflection	Less than 1.5 mm (0.059 in)
	Vertical deflection	
Allowable unbalance	Dynamic (At flange)	Less than 5 g (0.17 oz) (one side)
	Static (At flange)	Less than 10 g (0.35 oz)

Tire

INFOID:0000000005653820

Unit: kPa (kg/cm², psi)

Tire size	Air pressure
P225/50R18 94V	230 (2.3, 33)
225/45R19 92W	240 (2.4, 35)
245/40R19 94W	240 (2.4, 35)
T145/80D17	420 (4.2, 60)
T145/70R18	420 (4.2, 60)