

SECTION MA
MAINTENANCE

A
B
C
D
E
F
G
H
I
J
K
L
M
N
O

CONTENTS

PREPARATION	3	ENGINE OIL : Refilling	18
PREPARATION	3	OIL FILTER	18
Special Service Tool	3	OIL FILTER : Removal and Installation	18
Commercial Service Tool	3	OIL FILTER : Inspection	19
PERIODIC MAINTENANCE	4	SPARK PLUG	19
GENERAL MAINTENANCE	4	SPARK PLUG : Removal and Installation	19
Explanation of General Maintenance	4	SPARK PLUG : Inspection	20
PERIODIC MAINTENANCE	6	EVAP VAPOR LINES	20
Introduction of Periodic Maintenance	6	EVAP VAPOR LINES : Inspection	20
Schedule 1	6	CHASSIS MAINTENANCE	21
Schedule 2	8	EXHAUST SYSTEM	21
RECOMMENDED FLUIDS AND LUBRI-		EXHAUST SYSTEM : Inspection	21
CANTS	11	A/T FLUID	21
Fluids and Lubricants	11	A/T FLUID : Inspection	21
Engine Oil Recommendation	11	GEAR OIL	21
Anti-Freeze Coolant Mixture Ratio	12	GEAR OIL : Inspection	21
ENGINE MAINTENANCE	13	GEAR OIL : Draining	21
DRIVE BELT	13	GEAR OIL : Refilling	22
DRIVE BELT : Exploded View	13	CLUTCH FLUID	22
DRIVE BELT : Checking	13	CLUTCH FLUID : Inspection	22
DRIVE BELT : Tension Adjustment	13	TRANSFER FLUID	22
ENGINE COOLANT	13	TRANSFER FLUID : Inspection	22
ENGINE COOLANT : Draining	13	TRANSFER FLUID : Draining	23
ENGINE COOLANT : Refilling	14	TRANSFER FLUID : Refilling	23
ENGINE COOLANT : Flushing	16	FRONT PROPELLER SHAFT: 2S56A	23
FUEL LINES	16	FRONT PROPELLER SHAFT: 2S56A : Inspec-	23
FUEL LINES : Inspection	17	tion	23
AIR CLEANER FILTER	17	REAR PROPELLER SHAFT: 3S80A	24
AIR CLEANER FILTER : Removal and Installation	17	REAR PROPELLER SHAFT: 3S80A : Inspection...	24
	17	REAR PROPELLER SHAFT: 3S80A-R	24
ENGINE OIL	17	REAR PROPELLER SHAFT: 3S80A-R : Inspec-	24
ENGINE OIL : Draining	17	tion	24



REAR PROPELLER SHAFT: 3F80A-1VL107	25	STEERING GEAR AND LINKAGE	34
REAR PROPELLER SHAFT: 3F80A-1VL107 : In- spection	25	STEERING GEAR AND LINKAGE : Inspection	34
FRONT DIFFERENTIAL GEAR OIL: F160A	26	POWER STEERING FLUID AND LINES	34
FRONT DIFFERENTIAL GEAR OIL: F160A : In- spection	26	POWER STEERING FLUID AND LINES : Inspec- tion	34
FRONT DIFFERENTIAL GEAR OIL: F160A : Draining	26	AXLE AND SUSPENSION PARTS	34
FRONT DIFFERENTIAL GEAR OIL: F160A : Re- filling	27	AXLE AND SUSPENSION PARTS : Inspection	35
REAR DIFFERENTIAL GEAR OIL: R200	27	DRIVE SHAFT	35
REAR DIFFERENTIAL GEAR OIL: R200 : Inspec- tion	27	DRIVE SHAFT : Inspection	35
REAR DIFFERENTIAL GEAR OIL: R200 : Drain- ing	27	BODY MAINTENANCE	36
REAR DIFFERENTIAL GEAR OIL: R200 : Refill- ing	28	LOCKS, HINGES AND HOOD LATCH	36
REAR DIFFERENTIAL GEAR OIL: R200V	28	LOCKS, HINGES AND HOOD LATCH : Lubricat- ing	36
REAR DIFFERENTIAL GEAR OIL: R200V : In- spection	28	SEAT BELT, BUCKLES, RETRACTORS, AN- CHORS AND ADJUSTERS	36
REAR DIFFERENTIAL GEAR OIL: R200V : Draining	28	SEAT BELT, BUCKLES, RETRACTORS, AN- CHORS AND ADJUSTERS : Inspection	36
REAR DIFFERENTIAL GEAR OIL: R200V : Refill- ing	29	SERVICE DATA AND SPECIFICATIONS (SDS)	37
WHEELS (BONDING WEIGHT TYPE)	29	SERVICE DATA AND SPECIFICATIONS (SDS)	37
WHEELS (BONDING WEIGHT TYPE) : Adjust- ment	29	DRIVE BELT	37
BRAKE FLUID LEVEL AND LEAKS	31	DRIVE BELT : Drive Belt	37
BRAKE FLUID LEVEL AND LEAKS : Inspection ...	32	ENGINE COOLANT	37
BRAKE LINES AND CABLES	32	ENGINE COOLANT : Periodical Maintenance Specification	37
BRAKE LINES AND CABLES : Inspection	32	ENGINE OIL	37
BRAKE FLUID	32	ENGINE OIL : Periodical Maintenance Specification	37
BRAKE FLUID : Changing	32	SPARK PLUG	37
DISC BRAKE	32	SPARK PLUG : Spark Plug	37
DISC BRAKE : Inspection	32	ROAD WHEEL	37
DISC BRAKE : Front Disc Brake	33	ROAD WHEEL : Road Wheel	37
DISC BRAKE : Rear Disc Brake	33		

PREPARATION

< PREPARATION >

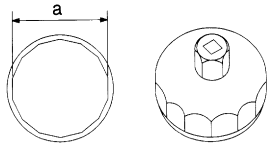
PREPARATION

PREPARATION

Special Service Tool

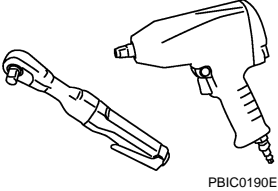
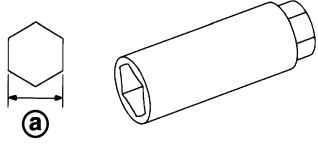
INFOID:000000006456751

The actual shapes of Kent-Moore tools may differ from those of special service tools illustrated here.

Tool number (Kent-Moore No.) Tool name	Description
KV10115801 (J-38956) Oil filter wrench <div style="text-align: center;">  <p>S-NT375</p> </div>	Removing and installing oil filter a: 64.3 mm (2.531 in)

Commercial Service Tool

INFOID:000000006456752

Tool name	Description
Power tool <div style="text-align: center;">  <p>PBIC0190E</p> </div>	Loosening nuts and bolts
Spark plug wrench <div style="text-align: center;">  <p>JPBIA0399ZZ</p> </div>	Removing and installing spark plug a : 14 mm (0.55 in)

A
B
C
D
E
F
G
H
I
J
K
L
M
N
O

MA

GENERAL MAINTENANCE

< PERIODIC MAINTENANCE >

PERIODIC MAINTENANCE

GENERAL MAINTENANCE

Explanation of General Maintenance

INFOID:000000006456753

General maintenance includes those items which should be checked during the normal day-to-day operation of the vehicle. They are essential if the vehicle is to continue operating properly. The owners can perform checks and inspections themselves or have their **INFINITI** dealers do them.

OUTSIDE THE VEHICLE

The maintenance items listed here should be performed from time to time, unless otherwise specified.

Item		Reference page
Tires	Check the pressure with a gauge often and always prior to long distance trips. Adjust the pressure in all tires, including the spare, to the pressure specified. Check carefully for damage, cuts or excessive wear.	WT-53
Wheel nuts	When checking the tires, make sure no nuts are missing, and check for any loose nuts. Tighten if necessary.	—
Tire rotation	Tires should be rotated every 7,500 miles (12,000 km). If the vehicle is equipped with different sized tires in the front and rear, tires cannot be rotated.	MA-29
Tire Pressure Monitoring System (TPMS) transmitter components	Replace the TPMS transmitter grommet seal, valve core and cap when the tires are replaced due to wear or age.	WT-50
Wheel alignment and balance	If the vehicle should pull to either side while driving on a straight and level road, or if you detect uneven or abnormal tire wear, there may be a need for wheel alignment. If the steering wheel or seat vibrates at normal highway speeds, wheel balancing may be needed. For additional information regarding tires, refer to "Important Tire Safety Information" (US) or "Tire Safety Information" (Canada) in the INFINITI Warranty Information Booklet.	FSU-8 (2WD) FSU-31 (AWD) RSU-6 MA-29
Windshield	Clean the windshield on a regular basis. Check the windshield at least every six months for cracks or other damage. Repair as necessary.	—
Windshield wiper blades	Check for cracks or wear if they do not wipe properly.	—
Doors and engine hood	Check that all doors and the engine hood operate properly. Also make sure that all latches lock securely. Lubricate if necessary. Make sure that the secondary latch keeps the hood from opening when the primary latch is released. When driving in areas using road salt or other corrosive materials, check lubrication frequently.	MA-36
Lamps	Make sure that the headlamps, stop lamps, tail lamps, turn signal lamps, and other lamps are all operating properly and installed securely. Also check headlamp aim. Clean the headlamps on a regular basis.	—

INSIDE THE VEHICLE

The maintenance items listed here should be checked on a regular basis, such as when performing periodic maintenance, cleaning the vehicle, etc.

Item		Reference page
Warning lamps and chimes	Make sure that all warning lamps and chimes are operating properly.	—
Windshield wiper and washer	Check that the wipers and washer operate properly and that the wipers do not streak.	—
Windshield defroster	Check that the air comes out of the defroster outlets properly and in sufficient quantity when operating the heater or air conditioner.	—
Steering wheel	Check that it has the specified play. Be sure to check for changes in the steering condition, such as excessive play, hard steering or strange noises. Free play: Less than 35 mm (1.38 in)	—

GENERAL MAINTENANCE

< PERIODIC MAINTENANCE >

Item		Reference page	
Seats	Check seat position controls such as seat adjusters, seatback recliner, etc. to make sure they operate smoothly and that all latches lock securely in every position. Check that the head restraints move up and down smoothly and that the locks (if equipped) hold securely in all latched positions. Check that the latches lock securely for folding-down rear seatbacks.	—	A B
Seat belts	Check that all parts of the seat belt system (e.g. buckles, anchors, adjusters and retractors) operate properly and smoothly, and are installed securely. Check the belt webbing for cuts, fraying, wear or damage.	MA-36	C
Accelerator pedal	Check the pedal for smooth operation and make sure the pedal does not catch or require uneven effort. Keep the floor mats away from the pedal.	—	D
Brakes	Check that the brake does not pull the vehicle to one side when applied.	—	E
Brake pedal and booster	Check the pedal for smooth operation and make sure it has the proper distance under it when depressed fully. Check the brake booster function. Be sure to keep the floor mats away from the pedal.	BR-7 BR-13	F
Clutch pedal	Make sure the pedal operates smoothly and check that it has the proper free play.	CL-6	G
Parking brake	Check that the lever or pedal has the proper travel and make sure that the vehicle is held securely on a fairly steep hill when only the parking brake is applied.	PB-3 (PEDAL TYPE) PB-4 (LEVER TYPE)	H
Automatic transmission "Park" mechanism	Check that the lock release button on the selector lever operates properly and smoothly. On a fairly steep hill check that the vehicle is held securely with the selector lever in the P (Park) position without applying any brakes.	—	I J

UNDER THE HOOD AND VEHICLE

The maintenance items listed here should be checked periodically (e.g. each time you check the engine oil or refuel).

Item		Reference page	
Windshield washer fluid	Check that there is adequate fluid in the tank.	—	K
Engine coolant level	Check the coolant level when the engine is cold.	CO-7	L
Radiator and hoses	Check the front of the radiator and clean off any dirt, insects, leaves, etc., that may have accumulated. Make sure the hoses have no cracks, deformation, deterioration or loose connections.	—	M
Brake and clutch fluid levels	Make sure that the brake and clutch fluid levels are between the "MAX" and "MIN" lines on the reservoirs.	MA-32 MA-22	N
Battery	Check the fluid level in each cell. It should be between the "MAX" and "MIN" lines. Vehicles operated in high temperatures or under severe conditions require frequent checks of the battery fluid level.	PG-3	O
Engine drive belts	Make sure that no belt is frayed, worn, cracked or oily.	MA-13	P
Engine oil level	Check the level on the oil level gauge after parking the vehicle on a level spot and turning off the engine.	LU-6	Q
Power steering fluid level and lines	Check the level on the dipstick with the engine off. Check the lines for improper attachment, leaks, cracks, etc.	MA-34	R
Exhaust system	Make sure there are no loose supports, cracks or holes. If the sound of the exhaust seems unusual or there is a smell of exhaust fumes, immediately locate the trouble and correct it.	MA-21	S
Underbody	The underbody is frequently exposed to corrosive substances such as those used on icy roads or to control dust. It is very important to remove these substances, otherwise rust will form on the floor pan, frame, fuel lines and around the exhaust system. At the end of winter, the underbody should be thoroughly flushed with plain water, being careful to clean those areas where mud and dirt can easily accumulate.	—	T
Fluid leaks	Check under the vehicle for fuel, oil, water or other fluid leaks after the vehicle has been parked for a while. Water dripping from the air conditioner after use is normal. If you should notice any leaks or gasoline fumes are evident, check for the cause and correct it immediately.	—	U

PERIODIC MAINTENANCE

< PERIODIC MAINTENANCE >

PERIODIC MAINTENANCE

Introduction of Periodic Maintenance

INFOID:000000006456754

Two different maintenance schedules are provided, and should be used, depending upon the conditions in which the vehicle is mainly operated. **After 60,000 miles (96,000 km) or 48 months, continue the periodic maintenance at the same mileage/time intervals.**

Schedule 1	Follow Periodic Maintenance Schedule 1 if the driving habits frequently include one or more of the following driving conditions: <ul style="list-style-type: none"> • Repeated short trips of less than 5 miles (8 km). • Repeated short trips of less than 10 miles (16 km) with outside temperatures remaining below freezing. • Operating in hot weather in stop-and-go “rush hour” traffic. • Extensive idling and/or low speed driving for long distances, such as police, taxi or door-to-door delivery use. • Driving in dusty conditions. • Driving on rough, muddy, or salt spread roads. • Towing a trailer, using a camper or a car-top carrier. 	Emission Control System Maintenance	MA-6
		Chassis and Body Maintenance	
Schedule 2	Follow Periodic Maintenance Schedule 2 if none of driving conditions shown in Schedule 1 apply to the driving habits.	Emission Control System Maintenance	MA-8
		Chassis and Body Maintenance	

Schedule 1

INFOID:000000006456755

EMISSION CONTROL SYSTEM

Abbreviations: R = Replace. I = Inspect. Correct or replace if necessary. []: At the mileage interval only

MAINTENANCE OPERATION		MAINTENANCE INTERVAL								Reference Section - Page or - Content Title	
Perform at number of miles, kilometers or months, whichever comes first.	Miles x 1,000 (km x 1,000) Months	3.75 (6)	7.50 (12)	11.25 (18)	15 (24)	18.75 (30)	22.5 (36)	26.25 (42)	30 (48)		
Drive belts	NOTE (1)									[R]	MA-13
Air cleaner filter	NOTE (2)									I*	MA-17
EVAP vapor lines										I*	MA-20
Fuel lines										I*	MA-17
Fuel filter	NOTE (3)									—	—
Engine coolant*	NOTE (4)										MA-13
Engine oil		R	R	R	R	R	R	R	R	MA-17	
Engine oil filter (Use genuine NISSAN engine oil filter or equivalent.)		R	R	R	R	R	R	R	R	MA-18	
Spark plugs (Iridium-tipped type)		Replace every 105,000 miles (168,000 km).								MA-19	
Intake & exhaust valve clearance*	NOTE (5)										EM-18

MAINTENANCE OPERATION		MAINTENANCE INTERVAL								Reference Section - Page or - Content Title	
Perform at number of miles, kilometers or months, whichever comes first.	Miles x 1,000 (km x 1,000) Months	33.75 (54)	37.5 (60)	41.25 (66)	45 (72)	48.75 (78)	52.5 (84)	56.25 (90)	60 (96)		
Drive belts	NOTE (1)									I*	MA-13
Air cleaner filter	NOTE (2)									[R]	MA-17
EVAP vapor lines										I*	MA-20
Fuel lines										I*	MA-17

PERIODIC MAINTENANCE

< PERIODIC MAINTENANCE >

MAINTENANCE OPERATION		MAINTENANCE INTERVAL								Reference Section - Page or - Content Title
Perform at number of miles, kilometers or months, whichever comes first.	Miles x 1,000 (km x 1,000) Months	33.75 (54) 27	37.5 (60) 30	41.25 (66) 33	45 (72) 36	48.75 (78) 39	52.5 (84) 42	56.25 (90) 45	60 (96) 48	
Fuel filter	NOTE (3)									—
Engine coolant*	NOTE (4)									MA-13
Engine oil		R	R	R	R	R	R	R	R	MA-17
Engine oil filter (Use genuine NISSAN engine oil filter or equivalent.)		R	R	R	R	R	R	R	R	MA-18
Spark plugs (Iridium-tipped type)		Replace every 105,000 miles (168,000 km).								MA-19
Intake & exhaust valve clearance*	NOTE (5)									EM-18

NOTE:

- (1) After 60,000 miles (96,000 km) or 48 months, inspect every 15,000 miles (24,000 km) or 12 months. Replace the drive belts if found damaged or if the auto belt tensioner reading reaches the maximum limit.
- (2) If operating mainly in dusty conditions, more frequent maintenance may be required.
- (3) Maintenance-free item. For service procedures, refer to FL section.
- (4) First replacement interval is 105,000 miles (168,000 km) or 84 months. After first replacement, replace every 75,000 miles (120,000 km) or 60 months. Use only Genuine NISSAN Long Life Antifreeze / Coolant (blue) or equivalent with proper mixture ratio of 50% anti-freeze and 50% demineralized or distilled water. Mixing any other type of coolant or the use of non-distilled water will reduce the life expectancy of the factory-fill coolant.
- (5) Periodic maintenance is not required. However, if valve noise increases, inspect valve clearance.

* Maintenance items and intervals with "*" are recommended by INFINITI for reliable vehicle operation. The owner need not perform such maintenance in order to maintain the emission warranty or manufacturer recall liability. Other maintenance items and intervals are required.

CHASSIS AND BODY

Abbreviations: R = Replace. I = Inspect. Correct or replace if necessary.

MAINTENANCE OPERATION		MAINTENANCE INTERVAL								Reference Section - Page or - Content Title
Perform at number of miles, kilometers or months, whichever comes first.	Miles x 1,000 (km x 1,000) Months	3.75 (6) 3	7.50 (12) 6	11.25 (18) 9	15 (24) 12	18.75 (30) 15	22.5 (36) 18	26.25 (42) 21	30 (48) 24	
Brake lines & cables					I				I	MA-32
Brake pads & rotors			I		I		I		I	MA-32
Brake fluid					R				R	MA-32
Manual transmission gear oil, transfer fluid & differential gear oil	NOTE (1)				I				I	MA-21 MA-22 MA-26 MA-27 MA-28
Automatic transmission fluid	NOTE (2)									—
Steering gear & linkage, axle & suspension parts			I		I		I		I	MA-34 MA-35
Tire rotation	NOTE (3)									MA-4 MA-29
Propeller shaft & drive shaft boots (AWD)			I		I		I		I	MA-23 MA-24 MA-24 MA-25 MA-35
Exhaust system			I		I		I		I	MA-21

PERIODIC MAINTENANCE

< PERIODIC MAINTENANCE >

MAINTENANCE OPERATION		MAINTENANCE INTERVAL								Reference Section - Page or - Content Title
Perform at number of miles, kilometers or months, whichever comes first.	Miles x 1,000 (km x 1,000) Months	3.75 (6) 3	7.50 (12) 6	11.25 (18) 9	15 (24) 12	18.75 (30) 15	22.5 (36) 18	26.25 (42) 21	30 (48) 24	
In-cabin microfilter					R				R	VTL-9
Stop lamp switch & ASCD brake switch	NOTE (4)				I				I	BR-7

MAINTENANCE OPERATION		MAINTENANCE INTERVAL								Reference Section - Page or - Content Title
Perform at number of miles, kilometers or months, whichever comes first.	Miles x 1,000 (km x 1,000) Months	33.75 (54) 27	37.5 (60) 30	41.25 (66) 33	45 (72) 36	48.75 (78) 39	52.5 (84) 42	56.25 (90) 45	60 (96) 48	
Brake lines & cables					I				I	MA-32
Brake pads & rotors			I		I		I		I	MA-32
Brake fluid					R				R	MA-32
Manual transmission gear oil, transfer fluid & differential gear oil	NOTE (1)				I				I	MA-21 MA-22 MA-26 MA-27 MA-28
Automatic transmission fluid	NOTE (2)									—
Steering gear & linkage, axle & suspension parts			I		I		I		I	MA-34 MA-35
Tire rotation	NOTE (3)									MA-4 MA-29
Propeller shaft & drive shaft boots (AWD)			I		I		I		I	MA-23 MA-24 MA-24 MA-25 MA-35
Exhaust system			I		I		I		I	MA-21
In-cabin microfilter					R				R	VTL-9
Stop lamp switch & ASCD brake switch	NOTE (4)				I				I	BR-7

NOTE:

- (1) If towing a trailer, using a camper or a car-top carrier, or driving on rough or muddy roads, change (not just inspect) fluid/oil at every 30,000 miles (48,000 km) or 24 months.
- (2) Automatic transmission fluid is maintenance-free.
- (3) Refer to "Tire rotation" under the "General maintenance" heading earlier in this section.
- (4) Inspect the clearance between the brake pedal and the switches.

Schedule 2

INFOID:000000006456756

EMISSION CONTROL SYSTEM

Abbreviations: R = Replace. I = Inspect. Correct or replace if necessary. []: At the mileage interval only

MAINTENANCE OPERATION		MAINTENANCE INTERVAL								Reference Section - Page or - Content Title
Perform at number of miles, kilometers or months, whichever comes first.	Miles x 1,000 (km x 1,000) Months	7.5 (12) 6	15 (24) 12	22.5 (36) 18	30 (48) 24	37.5 (60) 30	45 (72) 36	52.5 (84) 42	60 (96) 48	
Drive belts	NOTE (1)								I*	MA-13
Air cleaner filter					[R]				[R]	MA-17
EVAP vapor lines					I*				I*	MA-20
Fuel lines					I*				I*	MA-17

PERIODIC MAINTENANCE

< PERIODIC MAINTENANCE >

MAINTENANCE OPERATION		MAINTENANCE INTERVAL								Reference Section - Page or - Content Title
Perform at number of miles, kilometers or months, whichever comes first.	Miles x 1,000 (km x 1,000) Months	7.5 (12) 6	15 (24) 12	22.5 (36) 18	30 (48) 24	37.5 (60) 30	45 (72) 36	52.5 (84) 42	60 (96) 48	
Fuel filter	NOTE (2)									—
Engine coolant*	NOTE (3)									MA-13
Engine oil		R	R	R	R	R	R	R	R	MA-17
Engine oil filter (Use genuine NISSAN engine oil filter or equivalent.)		R	R	R	R	R	R	R	R	MA-18
Spark plugs (Iridium-tipped type)		Replace every 105,000 miles (168,000 km).								MA-19
Intake & exhaust valve clearance*	NOTE (4)									EM-18

NOTE:

- (1) After 60,000 miles (96,000 km) or 48 months, inspect every 15,000 miles (24,000 km) or 12 months. Replace the drive belts if found damaged or if the auto belt tensioner reading reaches the maximum limit.
 - (2) Maintenance-free item. For service procedures, refer to FL section.
 - (3) First replacement interval is 105,000 miles (168,000 km) or 84 months. After first replacement, replace every 75,000 miles (120,000 km) or 60 months. Use only Genuine NISSAN Long Life Antifreeze / Coolant (blue) or equivalent with proper mixture ratio of 50% anti-freeze and 50% demineralized or distilled water. Mixing any other type of coolant or the use of non-distilled water will reduce the life expectancy of the factory-fill coolant.
 - (4) Periodic maintenance is not required. However, if valve noise increases, inspect valve clearance.
- * Maintenance items and intervals with "*" are recommended by INFINITI for reliable vehicle operation. The owner need not perform such maintenance in order to maintain the emission warranty or manufacturer recall liability. Other maintenance items and intervals are required.

CHASSIS AND BODY

Abbreviations: R = Replace. I = Inspect. Correct or replace if necessary.

MAINTENANCE OPERATION		MAINTENANCE INTERVAL								Reference Section - Page or - Content Title
Perform at number of miles, kilometers or months, whichever comes first.	Miles x 1,000 (km x 1,000) Months	7.5 (12) 6	15 (24) 12	22.5 (36) 18	30 (48) 24	37.5 (60) 30	45 (72) 36	52.5 (84) 42	60 (96) 48	
Brake lines & cables			I		I		I		I	MA-32
Brake pads & rotors			I		I		I		I	MA-32
Brake fluid					R				R	MA-32
Manual transmission gear oil, transfer fluid & differential gear oil			I		I		I		I	MA-21 MA-22 MA-26 MA-27 MA-28
Automatic transmission fluid	NOTE (1)									—
Steering gear & linkage, axle & suspension parts					I				I	MA-34 MA-35
Tire rotation	NOTE (2)									MA-4 MA-29
Propeller shaft & drive shaft boots (AWD)			I		I		I		I	MA-23 MA-24 MA-24 MA-25 MA-35
Exhaust system					I				I	MA-21
In-cabin microfilter			R		R		R		R	VTL-9
Stop lamp switch & ASCD brake switch	NOTE (3)		I		I		I		I	BR-7

PERIODIC MAINTENANCE

< PERIODIC MAINTENANCE >

NOTE:

- (1) Automatic transmission fluid is maintenance-free.
- (2) Refer to "Tire rotation" under the "General maintenance" heading earlier in this section.
- (3) Inspect the clearance between the brake pedal and the switches.

RECOMMENDED FLUIDS AND LUBRICANTS

< PERIODIC MAINTENANCE >

RECOMMENDED FLUIDS AND LUBRICANTS

Fluids and Lubricants

INFOID:000000006456757

		Capacity (Approximate)			Recommended Fluids/Lubricants
		US measure	Imp measure	Liter	
Engine oil Drain and refill	With oil filter change	5-1/8 qt	4-1/4 qt	4.9	<ul style="list-style-type: none"> • Engine oil with API Certification Mark^{*1, *2} • Viscosity SAE 5W-30^{*1, *2}
	Without oil filter change	4-7/8 qt	4 qt	4.6	
Dry engine (Overhaul)		6 qt	5 qt	5.7	
Cooling system	With reservoir tank	A/T	9 qt	7-1/2 qt	Pre-diluted Genuine NISSAN Long Life Antifreeze/ Coolant (blue) or equivalent
		M/T	9-1/8 qt	7-5/8 qt	
	Reservoir tank	7/8 qt	3/4 qt	0.8	
Automatic transmission fluid		9-3/4 qt ^{*9}	8-1/8 qt ^{*9}	9.2 ^{*9}	Genuine NISSAN Matic S ATF ^{*3}
Manual transmission gear oil		6 pt	5 pt	2.83	Genuine NISSAN Manual Transmission Fluid (MTF) HQ Multi 75W-85 or API GL-4, Viscosity SAE 75W-85
Differential gear oil	Front	1-3/8 pt	1-1/8 pt	0.65	For 7A/T 2WD models: API GL-5 Synthetic Gear Oil, Viscosity SAE 75W-90 ^{*5} Except for 7A/T 2WD models: Genuine NISSAN Differential Oil Hypoid Super GL-5 80W-90 or API GL-5, Viscosity SAE 80W-90 ^{*4}
	Rear	3 pt	2-1/2 pt	1.40	
Transfer fluid		2-1/8 pt	1-3/4 pt	1.0	Genuine NISSAN Matic J ATF ^{*6}
Power steering fluid (PSF)		1-1/8 qt	7/8 qt	1.0	Genuine NISSAN PSF or equivalent ^{*7}
Brake and clutch fluid		—	—	—	Genuine NISSAN Super Heavy Duty Brake Fluid ^{*8} or equivalent DOT 3 (US FMVSS No. 116)
Multi-purpose grease		—	—	—	NLGI No. 2 (Lithium soap base)
Windshield washer fluid		—	—	—	Genuine NISSAN Windshield Washer Concentrate Cleaner & Antifreeze or equivalent
Fuel recommendation		—	—	—	Refer to GI-33, "Fuel" .

*1: For additional information, see "Engine Oil Recommendation".

*2: INFINITI recommends Genuine NISSAN Ester Oil available at an INFINITI dealer.

*3: Using automatic transmission fluid other than Genuine NISSAN Matic S ATF will cause deterioration in driveability and automatic transmission durability, and may damage the automatic transmission, which is not covered by the INFINITI new vehicle limited warranty.

*4: For hot climates, viscosity SAE 90 is suitable for ambient temperatures above 0°C (32°F).

*5: See an INFINITI dealer for service for synthetic oil.

*6: Using transfer fluid other than Genuine NISSAN Matic J ATF will cause deterioration in driveability and transfer durability, and may damage the transfer, which is not covered by the INFINITI new vehicle limited warranty.

*7: DEXRON™ VI type ATF may also be used.

*8: Available in mainland U.S.A. through an INFINITI dealer.

*9: The fluid capacity is the reference value.

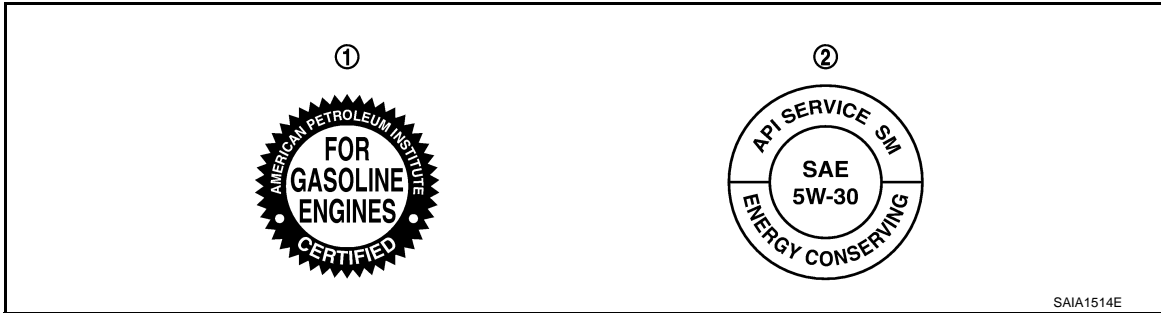
Engine Oil Recommendation

INFOID:000000006456758

NISSAN recommends the use of an energy conserving oil in order to improve fuel economy. Select only engine oils that meet the American Petroleum Institute (API) certification and International Lubricant Standardization and Approval Committee (ILSAC) certification and SAE viscosity standard. These oils have the API certification mark on the front of the container. Oils which do not have the specified quality label should not be used as they could cause engine damage.

RECOMMENDED FLUIDS AND LUBRICANTS

< PERIODIC MAINTENANCE >



1. API certification mark

2. API service symbol

Anti-Freeze Coolant Mixture Ratio

INFOID:000000006456759

The engine cooling system is filled at the factory with a pre-diluted mixture of 50% Genuine NISSAN Long Life Antifreeze/Coolant (blue) and 50% water to provide year-round anti-freeze and coolant protection. The anti-freeze solution contains rust and corrosion inhibitors. Additional engine cooling system additives are not necessary.

WARNING:

- Never remove the radiator or coolant reservoir cap when the engine is hot. Wait until the engine and radiator cool down. Serious burns could be caused by high pressure fluid escaping from the radiator. See precautions in "If your vehicle overheats" found in the "In case of emergency" section of this manual.
- The radiator is equipped with a pressure type radiator cap. To prevent engine damage, use only a genuine NISSAN radiator cap.

CAUTION:

- When adding or replacing coolant, be sure to use only Genuine NISSAN Long Life Antifreeze/Coolant (blue) or equivalent. Genuine NISSAN Long Life Antifreeze/Coolant (blue) is pre-diluted to provide antifreeze protection to -34°F (-37°C). If additional freeze protection is needed due to weather where you operate your vehicle, add Genuine NISSAN Long Life Antifreeze/Coolant (blue) concentrate following the directions on the container. If an equivalent coolant other than Genuine NISSAN Long Life Antifreeze/Coolant (blue) is used, follow the coolant manufacturer's instructions to maintain minimum antifreeze protection to -34°F (-37°C). The use of other types of coolant solutions other than Genuine NISSAN Long Life Antifreeze/Coolant (blue) or equivalent may damage the engine cooling system.
- The life expectancy of the factory-fill coolant is 105,000 miles (168,000 km) or 7 years. Mixing any other type of coolant other than Genuine NISSAN Long Life Antifreeze/Coolant (blue), including Genuine NISSAN Long Life Antifreeze/Coolant (green), or the use of non-distilled water will reduce the life expectancy of the factory-fill coolant. Refer to the Nissan Service and Maintenance Guide for more details.

ENGINE MAINTENANCE

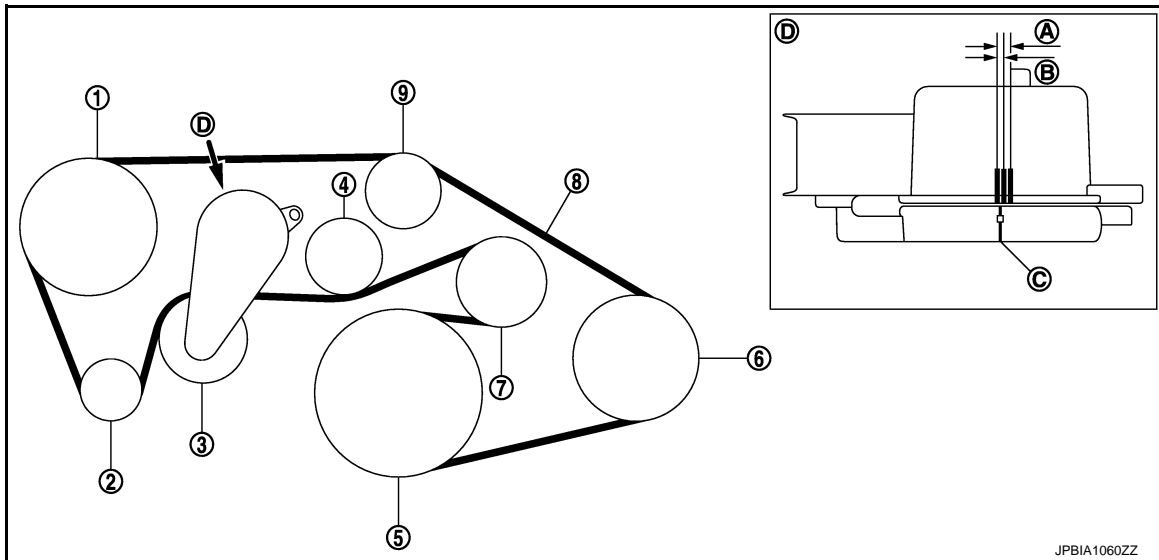
< PERIODIC MAINTENANCE >

ENGINE MAINTENANCE

DRIVE BELT

DRIVE BELT : Exploded View

INFOID:000000006456760



- | | | |
|----------------------------|---|------------------------------|
| 1. Power steering oil pump | 2. Alternator | 3. Drive belt auto-tensioner |
| 4. Idler pulley | 5. Crankshaft pulley | 6. A/C compressor |
| 7. Idler pulley | 8. Drive belt | 9. Idler pulley |
| A. Possible use range | B. Range when new drive belt is installed | C. Indicator |
| D. View D | | |

DRIVE BELT : Checking

INFOID:000000006456761

WARNING:

Be sure to perform the this step when engine is stopped.

- Check that the indicator (C) (notch on fixed side) of drive belt auto-tensioner is within the possible use range (A).

NOTE:

- Check the drive belt auto-tensioner indication when the engine is cold.
- When new drive belt is installed, the indicator (notch on fixed side) should be within the range (B) in the figure.
- Visually check the entire drive belt for wear, damage or crack.
- If the indicator (notch on fixed side) is out of the possible use range or belt is damaged, replace drive belt.

DRIVE BELT : Tension Adjustment

INFOID:000000006456762

Refer to [MA-37. "DRIVE BELT : Drive Belt"](#).

ENGINE COOLANT

ENGINE COOLANT : Draining

INFOID:000000006934652

WARNING:

- **To avoid being scalded, never change engine coolant when the engine is hot.**
- **Wrap a thick cloth around radiator cap and carefully remove radiator cap. First, turn radiator cap a quarter of a turn to release built-up pressure. Then turn radiator cap all the way.**

1. Connect drain hose.

NOTE:

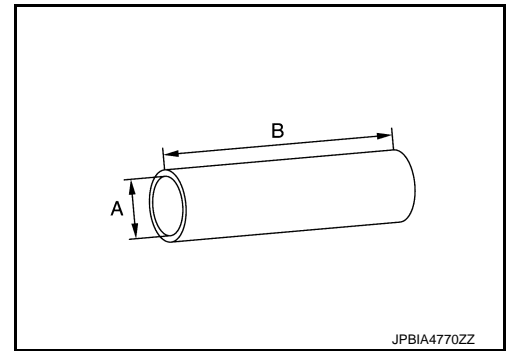
MA

ENGINE MAINTENANCE

< PERIODIC MAINTENANCE >

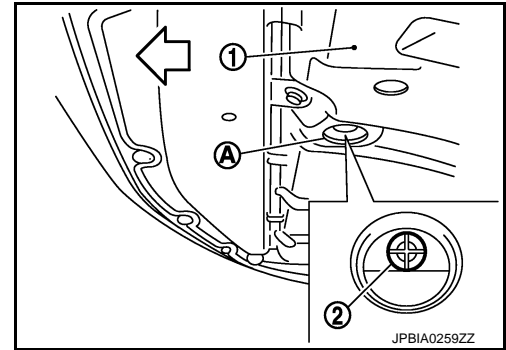
Use a general-purpose hose with the dimensions shown in the figure.

- A : ϕ 15 - 16 mm (0.59 - 0.63 in)
- B : 145 mm (5.17 in)



2. Open radiator drain plug (2) at the bottom of radiator, and then remove radiator cap.

- 1 : Engine under cover
- A : Radiator drain plug hole
- ↔ : Vehicle front



When draining all of engine coolant in the system, open water drain plugs on cylinder block. Refer to [EM-79. "Setting"](#).

3. Remove reservoir tank if necessary, and drain engine coolant and clean reservoir tank before installing.
4. Check drained engine coolant for contaminants such as rust, corrosion or discoloration. If contaminated, flush the engine cooling system. Refer to [MA-16. "ENGINE COOLANT : Flushing"](#).
5. Disconnect drain hose.

ENGINE COOLANT : Refilling

INFOID:000000006934653

CAUTION:

- Do not reuse O-rings.
- Do not put additive such as waterleak preventive, since it may cause cooling waterway clogging.

1. Remove air cleaner case (LH). Refer to [EM-27. "Exploded View"](#).
2. Install reservoir tank if removed, and radiator drain plug.

CAUTION:

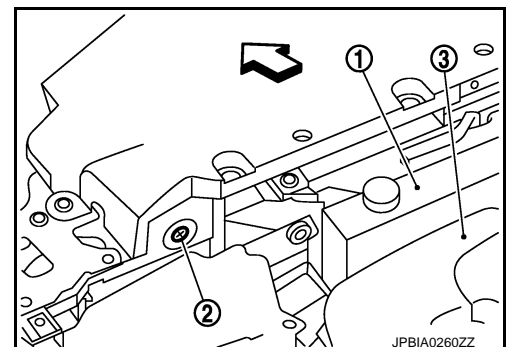
Be sure to clean drain plug and install with new O-ring.

Tightening torque : Refer to [CO-13. "Exploded View"](#).

If water drain plugs on cylinder block are removed, close and tighten them. Refer to [EM-122. "Disassembly and Assembly"](#).

3. Check that each hose clamp has been firmly tightened.
4. Remove air relief plug (2) on radiator left side.

- 1 : Reservoir tank
- 3 : Engine cover
- ↔ : Vehicle front



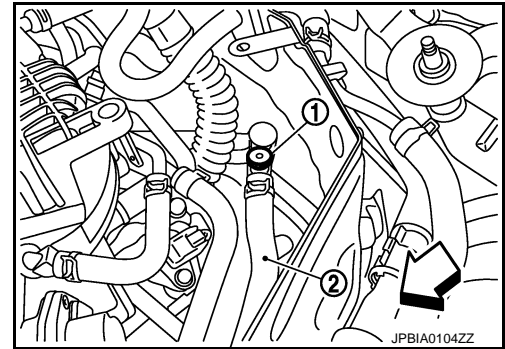
ENGINE MAINTENANCE

< PERIODIC MAINTENANCE >

5. Remove air relief plug (1) on heater hose.

2 : Heater hose

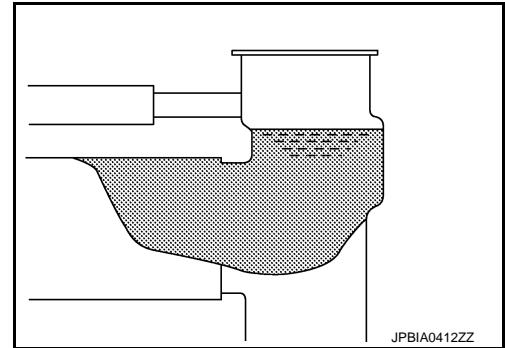
⇐ : Vehicle front



6. Fill radiator, and reservoir tank if removed, to specified level.
- Pour engine coolant through engine coolant filler neck slowly of less than 2 l (2-1/8 US qt, 1-3/4 Imp qt) a minute to allow air in system to escape.
 - Use Genuine NISSAN Long Life Antifreeze/Coolant or equivalent mixed with water (distilled or demineralized). Refer to [MA-11, "Fluids and Lubricants"](#).

Engine coolant capacity
(With reservoir tank at
"MAX" level)

: Refer to [CO-26,](#)
["Periodical Maintenance
Specification"](#).



Reservoir tank engine coolant capacity
(At "MAX" level)

:Refer to [CO-26,](#)
["Periodical Maintenance Specification"](#)

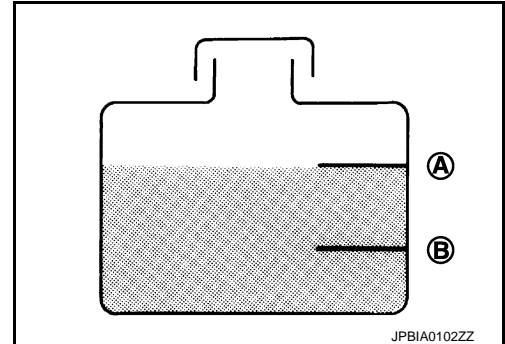
A : MAX

B : MIN

7. When engine coolant overflows air relief hole on radiator, install air relief plug with new O-ring.

Tightening torque : Refer to [CO-13, "Exploded View"](#).

CAUTION:
Do not reuse O-ring.



8. Repeat step 6.
9. When engine coolant overflows air relief hole on heater hose, install air relief plug with new O-ring. Then refill radiator with engine coolant.

 : 1.2 N·m (0.12 kg·m, 11 in·lb)

10. Install air cleaner case (LH). Refer to [EM-27, "Exploded View"](#).
11. Install radiator cap.
12. Warm up engine until opening thermostat. Standard for warming-up time is approximately 10 minutes at 3,000 rpm.
- Check thermostat opening condition by touching radiator hose (lower) to see a flow of warm water.
- CAUTION:**
Watch water temperature gauge so as not to overheat engine.
13. Stop the engine and cool down to less than approximately 50°C (122°F).
- Cool down using fan to reduce the time.
 - If necessary, refill radiator up to filler neck with engine coolant.
14. Refill reservoir tank to "MAX" level line with engine coolant.

ENGINE MAINTENANCE

< PERIODIC MAINTENANCE >

15. Repeat steps 11 through 14 two or more times with radiator cap installed until engine coolant level no longer drops.
16. Check cooling system for leakage with engine running.
17. Warm up the engine, and check for sound of engine coolant flow while running engine from idle up to 3,000 rpm with heater temperature controller set at several position between "COOL" and "WARM".
 - Sound may be noticeable at heater unit.
18. Repeat step 17 three times.
19. If sound is heard, bleed air from cooling system by repeating step 6, and steps from 11 to 18 until engine coolant level no longer drops.
20. Check that the reservoir tank cap is tightened.

ENGINE COOLANT : Flushing

INFOID:000000006934654

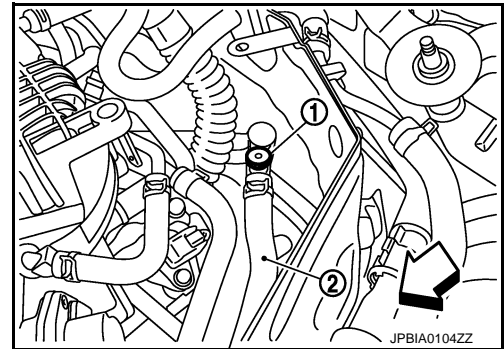
1. Install reservoir tank if removed, and radiator drain plug.
CAUTION:
Be sure to clean drain plug and install with new O-ring.

Tightening torque : Refer to [CO-13, "Exploded View"](#).

If water drain plugs on cylinder block are removed, close and tighten them. Refer to [EM-121, "Exploded View"](#).

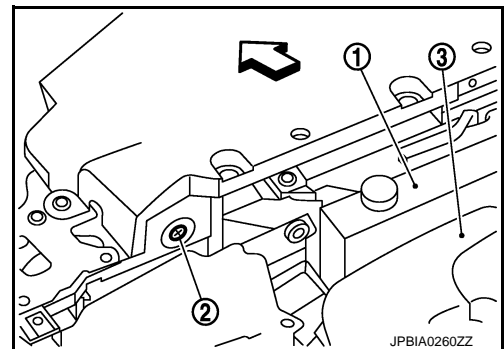
2. Remove air relief plug (1) on heater hose (2).

⇐ : Vehicle front



3. Remove air relief plug (2) on radiator.

1 : Reservoir tank
3 : Engine cover
⇐ : Vehicle front



4. Fill radiator with water until water spills from the air relief holes, then close air relief plugs. Fill radiator and reservoir tank with water and reinstall radiator cap.

Tightening torque : Refer to [CO-13, "Exploded View"](#).

5. Run the engine and warm it up to normal operating temperature.
6. Rev the engine two or three times under no-load.
7. Stop the engine and wait until it cools down.
8. Drain water from the system. Refer to [MA-13, "ENGINE COOLANT : Draining"](#).
9. Repeat steps 1 through 8 until clear water begins to drain from radiator.
10. Check that the reservoir tank cap is tightened.

FUEL LINES

ENGINE MAINTENANCE

< PERIODIC MAINTENANCE >

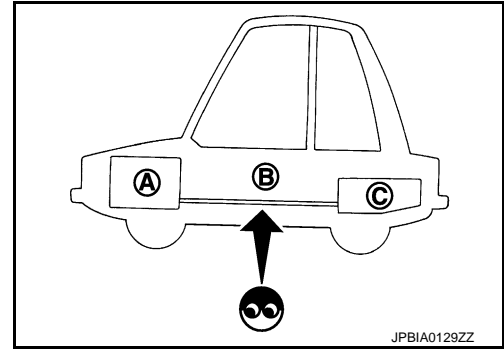
FUEL LINES : Inspection

INFOID:000000006456766

Inspect fuel lines, fuel filler cap and fuel tank for improper attachment, leakage, cracks, damage, loose connections, chafing or deterioration.

- A : Engine
- B : Fuel line
- C : Fuel tank

If necessary, repair or replace damaged parts.



AIR CLEANER FILTER

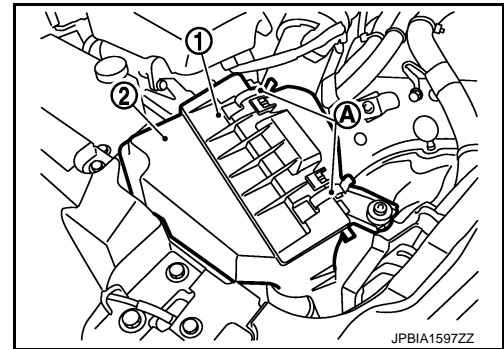
AIR CLEANER FILTER : Removal and Installation

INFOID:000000006456767

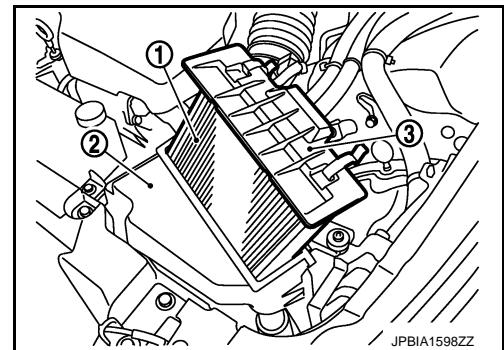
REMOVAL

1. Unhook clips (A).

- 1 : Holder
- 2 : Air cleaner case



2. Remove holder (3) from air cleaner case (2), and then remove air cleaner filter (1) from holder.



INSTALLATION

Note the following, and install in the reverse order of removal.

- Install the air cleaner filter by aligning the seal with the notch of air cleaner case.

ENGINE OIL

ENGINE OIL : Draining

INFOID:000000006456768

WARNING:

- Be careful not to get burn yourself, as engine oil may be hot.
- Prolonged and repeated contact with used engine oil may cause skin cancer. Try to avoid direct skin contact with used engine oil. If skin contact is made, wash thoroughly with soap or hand cleaner as soon as possible.

1. Warm up the engine, and check for engine oil leakage from engine components. Refer to [LU-6, "Inspection"](#).
2. Stop the engine and wait for 10 minutes.
3. Loosen oil filler cap.

A
B
C
D
E
F
G
H
I
J
K
L
M
N
O

ENGINE MAINTENANCE

< PERIODIC MAINTENANCE >

4. Remove undercover with power tool.
5. Remove drain plug and then drain engine oil.

ENGINE OIL : Refilling

INFOID:000000006456769

1. Install drain plug with new washer. Refer to [EM-43, "Exploded View \(2WD\)"](#).

CAUTION:

Be sure to clean drain plug and install with new washer.

Tightening torque : Refer to [EM-43, "Exploded View \(2WD\)"](#).

2. Refill with new engine oil.
Engine oil specification and viscosity: Refer to [MA-11, "Fluids and Lubricants"](#).

Engine oil capacity : Refer to [MA-37, "ENGINE OIL : Periodical Maintenance Specification"](#).

CAUTION:

- When filling engine oil, do not pull out oil level gauge.
- The refill capacity depends on the engine oil temperature and drain time. Use these specifications for reference only.
- Always use oil level gauge to determine the proper amount of engine oil in engine.

3. Warm up the engine and check area around drain plug and oil filter for engine oil leakage.
4. Stop the engine and wait for 10 minutes.
5. Check the engine oil level. Refer to [LU-6, "Inspection"](#).

OIL FILTER

OIL FILTER : Removal and Installation

INFOID:000000006456770

REMOVAL

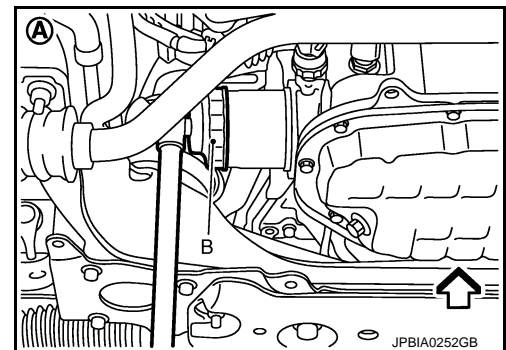
CAUTION:

- Oil filter is provided with relief valve. Use genuine NISSAN oil filter or equivalent.
- Be careful not to get burned when engine and engine oil may be hot.
- When removing, prepare a shop cloth to absorb any engine oil leakage or spillage.
- Never allow engine oil to adhere to drive belt.
- Completely wipe off any engine oil that adheres to engine and vehicle.

1. Remove engine undercover with power tool.
2. Using oil filter wrench [SST: KV10115801 (J-38956)] (B), remove oil filter.

A : 2WD models

↔ : Engine front

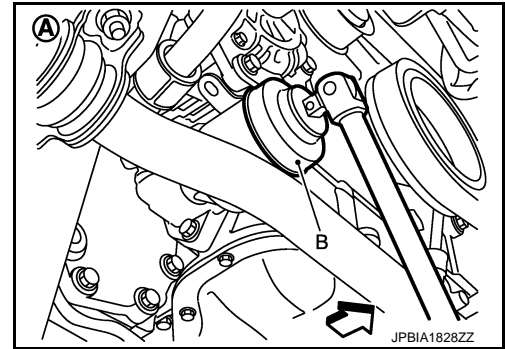


ENGINE MAINTENANCE

< PERIODIC MAINTENANCE >

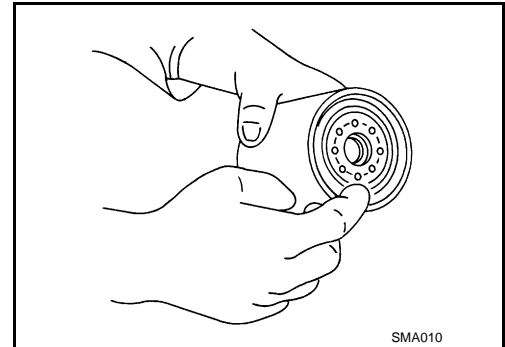
A : AWD models

⇐ : Engine front



INSTALLATION

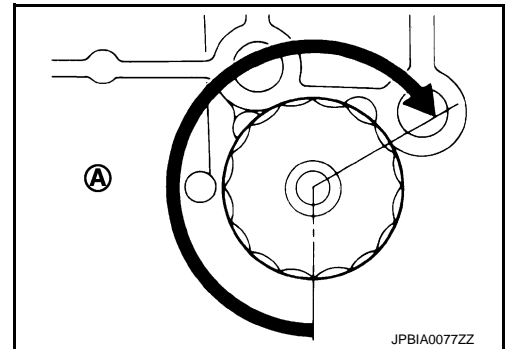
1. Remove foreign materials adhering to oil filter installation surface.
2. Apply engine oil to the oil seal contact surface of new oil filter.



3. Screw oil filter manually until it touches the installation surface, then tighten it by 2/3 turn (A). Or tighten to the specification.

Oil filter:

: 17.7 N·m (1.8 kg·m, 13 ft·lb)



OIL FILTER : Inspection

INFOID:000000006456771

INSPECTION AFTER INSTALLATION

1. Check the engine oil level. Refer to [LU-6, "Inspection"](#).
2. Start the engine, and check there is no leak of engine oil.
3. Stop the engine and wait for 10 minutes.
4. Check the engine oil level, and adjust the level. Refer to [LU-6, "Inspection"](#).

SPARK PLUG

SPARK PLUG : Removal and Installation

INFOID:000000006456772

REMOVAL

1. Remove engine cover with power tool. Refer to [EM-25, "Exploded View"](#).
2. Remove air cleaner case and air duct (RH and LH). Refer to [EM-27, "Exploded View"](#).
3. Remove electric throttle control actuator. Refer to [EM-29, "Exploded View"](#).
4. Remove ignition coil. Refer to [EM-47, "Removal and Installation"](#).

A
B
C
D
E
F
G
H
I
J
K
L
M
N
O

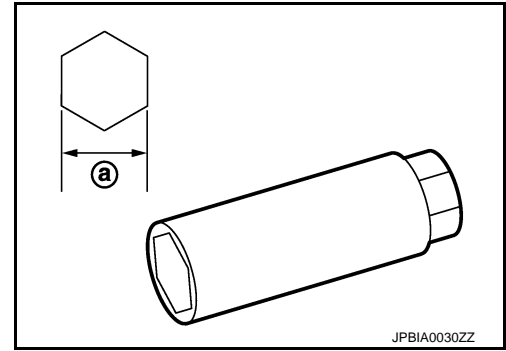
MA

ENGINE MAINTENANCE

< PERIODIC MAINTENANCE >

5. Remove spark plug with a spark plug wrench (commercial service tool).

a : 14 mm (0.55 in)



INSTALLATION

Installation is the reverse order of removal.

SPARK PLUG : Inspection

INFOID:000000006456773

INSPECTION AFTER REMOVAL

Use the standard type spark plug for normal condition.

Spark plug (Standard type) : Refer to [MA-37, "SPARK PLUG : Spark Plug"](#).

CAUTION:

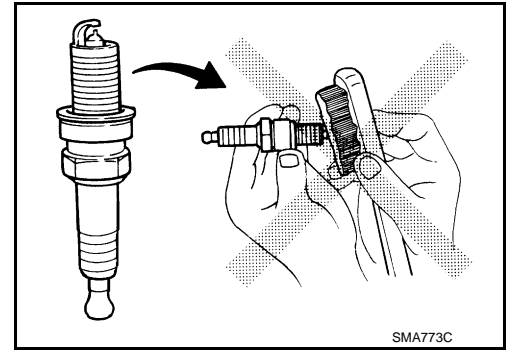
- Never drop or shock spark plug.
- Never use a wire brush for cleaning.
- If plug tip is covered with carbon, use spark plug cleaner to clean.

Cleaner air pressure

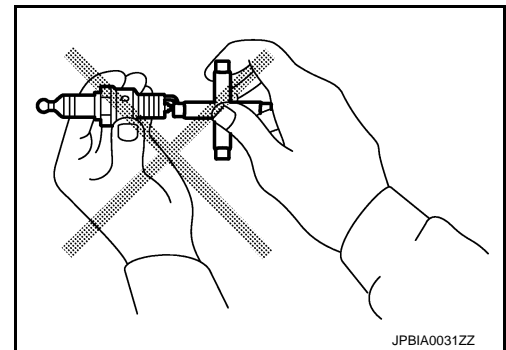
: Less than 588 kPa (6 kg/cm², 85 psi)

Cleaning time

: Less than 20 seconds



- Check and adjustment of plug gap is not required between change intervals.



EVAP VAPOR LINES

EVAP VAPOR LINES : Inspection

INFOID:000000006456774

1. Visually inspect EVAP vapor lines for improper attachment and for cracks, damage, loose connections, chafing and deterioration. Refer to [EC-638, "Inspection"](#).
2. Inspect fuel tank filler cap vacuum relief valve for clogging, sticking, etc. Refer to [EC-358, "Component Inspection"](#).

CHASSIS MAINTENANCE

< PERIODIC MAINTENANCE >

CHASSIS MAINTENANCE

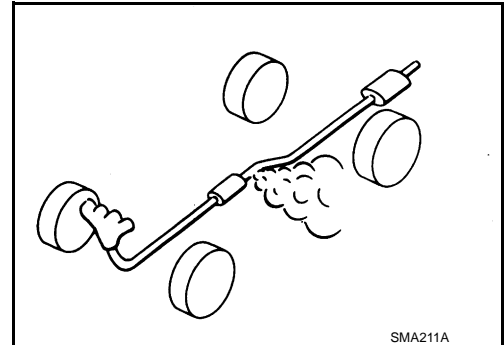
EXHAUST SYSTEM

EXHAUST SYSTEM : Inspection

INFOID:000000006456775

Check exhaust pipes, muffler and mounting for improper attachment, leaks, cracks, damage or deterioration.

- If anything is found, repair or replace damaged parts.



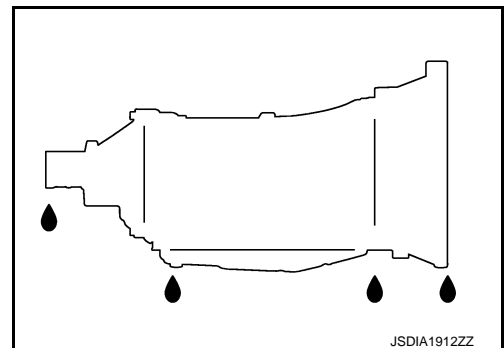
A/T FLUID

A/T FLUID : Inspection

INFOID:000000006934636

FLUID LEAKAGE

- Check transmission surrounding area (oil seal and plug etc.) for fluid leakage.
- If anything is found, repair or replace damaged parts and adjust A/T fluid level. Refer to [TM-268, "Adjustment"](#).



GEAR OIL

GEAR OIL : Inspection

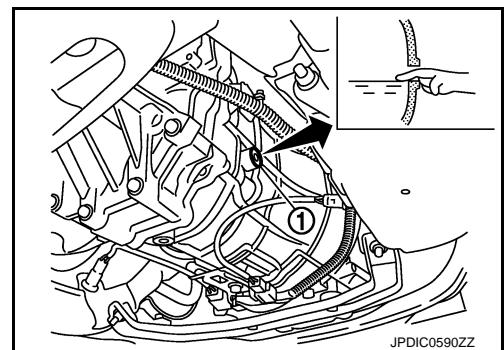
INFOID:000000006456778

OIL LEAKAGE

Make sure that gear oil is not leaking from transmission or around it.

OIL LEVEL

1. Remove filler plug (1) and gasket from transmission case.
2. Check the oil level from filler plug mounting hole as shown in the figure.
CAUTION:
Never start engine while checking oil level.
3. Set a gasket on filler plug and then install it to transmission case.
CAUTION:
Never reuse gasket.
4. Tighten filler plug to the specified torque. Refer to [TM-32, "Exploded View"](#).



GEAR OIL : Draining

INFOID:000000006456779

1. Start the engine and let it run to warm up transmission.
2. Stop the engine.
3. Remove drain plug and gasket from transmission case and then drain gear oil.

A
B
C
D
E
F
G
H
I
J
K
L
M
N
O
MA

CHASSIS MAINTENANCE

< PERIODIC MAINTENANCE >

4. Set a gasket on drain plug and install it to transmission case.

CAUTION:

Never reuse gasket.

5. Tighten drain plug to the specified torque. Refer to [TM-32. "Exploded View"](#).

GEAR OIL : Refilling

INFOID:000000006456780

1. Remove filler plug (1) and gasket from transmission case.
2. Fill with new gear oil to transmission as shown in the figure.

Oil grade and viscosity : Refer to [MA-11. "Fluids and Lubricants"](#).

Oil capacity : Refer to [TM-94. "General Specifications"](#).

CAUTION:

Never reuse drained gear oil.

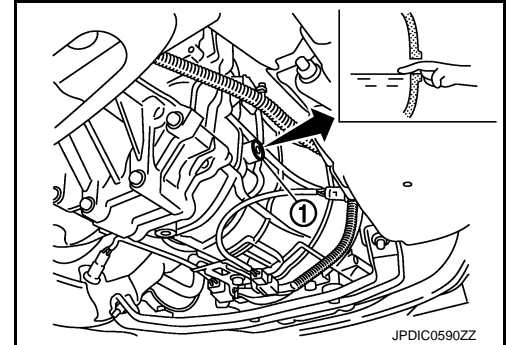
3. After refilling gear oil, check the oil level. Refer to [MA-21. "GEAR OIL : Inspection"](#).

4. Set a gasket on filler plug and then install it to transmission case.

CAUTION:

Never reuse gasket.

5. Tighten filler plug to the specified torque. Refer to [TM-32. "Exploded View"](#).



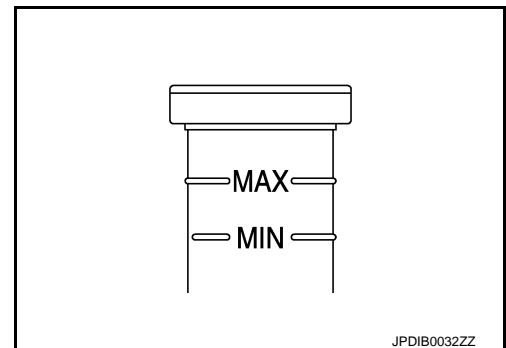
CLUTCH FLUID

CLUTCH FLUID : Inspection

INFOID:000000006456781

CLUTCH FLUID LEVEL

- Check that the fluid level in the reservoir tank is within the specified range (MAX – MIN lines).
- Visually check for any clutch fluid leakage around the reservoir tank.
- Check the clutch system for any leakage if the fluid level is extremely low (lower than MIN).



TRANSFER FLUID

TRANSFER FLUID : Inspection

INFOID:000000006456782

FLUID LEAKAGE

Check transfer surrounding area (oil seal, drain plug, and filler plug etc.) for fluid leakage.

FLUID LEVEL

1. Remove filler plug (1) and gasket. Then check that fluid is filled up from mounting hole for the filler plug.

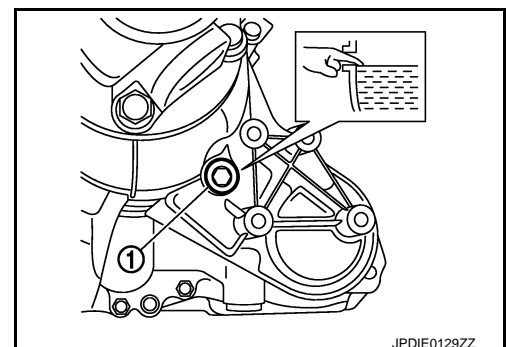
CAUTION:

Never start engine while checking fluid level.

2. Set a new gasket onto filler plug, and install it on transfer and tighten to the specified torque. Refer to [DLN-63. "Exploded View"](#).

CAUTION:

Never reuse gasket.



CHASSIS MAINTENANCE

< PERIODIC MAINTENANCE >

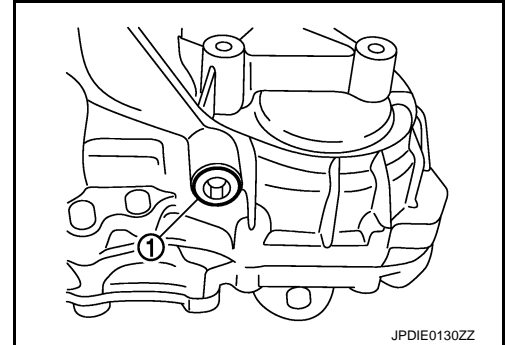
TRANSFER FLUID : Draining

INFOID:000000006456783

1. Run the vehicle to warm up the transfer unit sufficiently.
2. Stop the engine, and remove the drain plug (1) to drain the transfer fluid.
3. Set a new gasket onto the drain plug, and install it on the transfer and tighten to the specified torque. Refer to [DLN-63, "Exploded View"](#).

CAUTION:

Never reuse gasket.



TRANSFER FLUID : Refilling

INFOID:000000006456784

1. Remove filler plug (1) and gasket. Then fill fluid up to mounting hole for the filler plug.

Fluid and viscosity

: Refer to [MA-11, "Fluids and Lubricants"](#).

Fluid capacity

: Refer to [DLN-82, "General Specifications"](#).

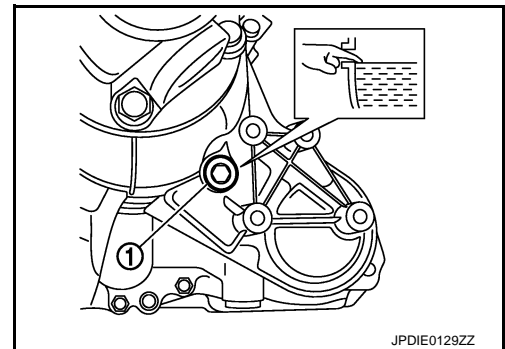
CAUTION:

Carefully fill the fluid. (Fill up for approximately 3 minutes.)

2. Leave the vehicle for 3 minutes, and check the fluid level again.
3. Set a new gasket onto filler plug, and install it on transfer and tighten to the specified torque. Refer to [DLN-63, "Exploded View"](#).

CAUTION:

Never reuse gasket.



FRONT PROPELLER SHAFT: 2S56A

FRONT PROPELLER SHAFT: 2S56A : Inspection

INFOID:000000006934640

NOISE

Check the propeller shaft tube surface for dents or cracks. If damaged, replace propeller shaft assembly.

VIBRATION

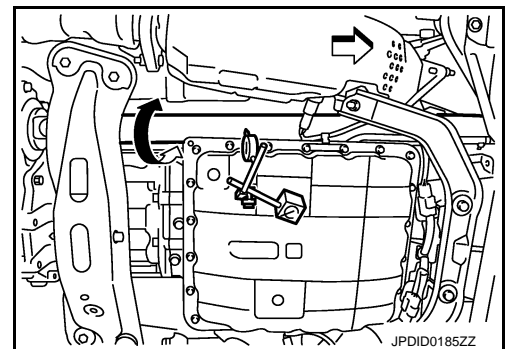
If vibration is present at high speed, inspect propeller shaft runout first.

1. With a dial indicator, measure propeller shaft runout at runout measuring points by rotating final drive companion flange with hands.

←: Vehicle front

Propeller shaft runout

: Refer to [DLN-89, "Propeller Shaft Runout"](#).



A
B
C
D
E
F
G
H
I
J
K
L
M
N
O
MA

CHASSIS MAINTENANCE

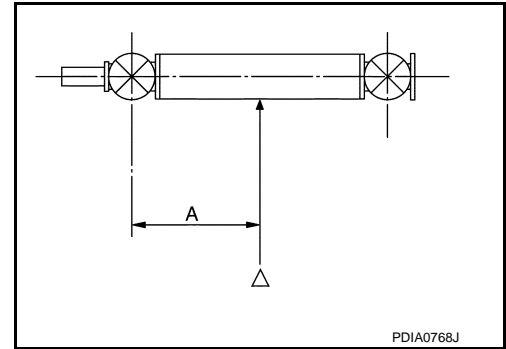
< PERIODIC MAINTENANCE >

- Propeller shaft runout measuring point (Point “△”).

Dimension

A: 381.5 mm (15.02 in)

2. If runout still exceeds specifications, separate propeller shaft at final drive companion flange; then change the phase between companion flange and propeller shaft by the one bolt hole at a time and install propeller shaft.
3. If runout is more than the limit value, remove and check propeller shaft.
4. Check the vibration by driving vehicle.



REAR PROPELLER SHAFT: 3S80A

REAR PROPELLER SHAFT: 3S80A : Inspection

INFOID:000000006934641

NOISE

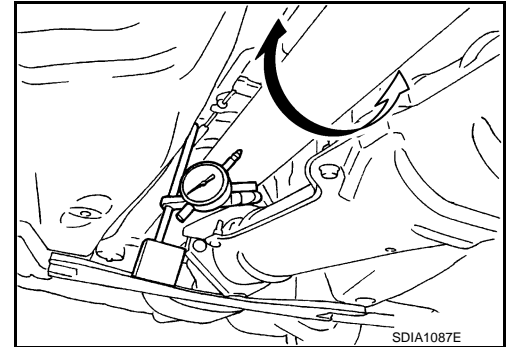
- Check the propeller shaft tube surface for dents or cracks. If damaged, replace propeller shaft assembly.
- If center bearing is noisy or damaged, replace propeller shaft assembly.

VIBRATION

If vibration is present at high speed, inspect propeller shaft runout first.

1. With a dial indicator, measure propeller shaft runout at runout measuring points by rotating final drive companion flange with hands.

Propeller shaft runout : Refer to [DLN-97, "Propeller Shaft Runout"](#).



- Propeller shaft runout measuring point (Point “△”).

←: Vehicle front

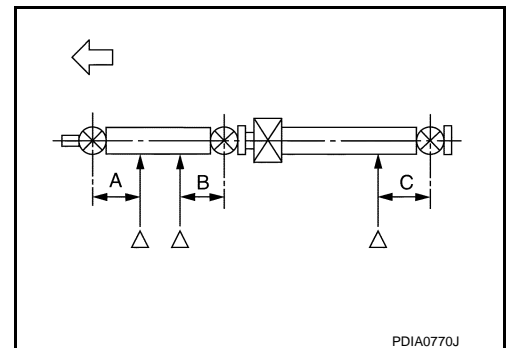
Dimension

A: 192 mm (7.56 in)

B: 172 mm (6.77 in)

C: 170 mm (6.69 in)

2. If runout still exceeds specifications, separate propeller shaft at final drive companion flange; then change the phase between companion flange and propeller shaft by the one bolt hole at a time and install propeller shaft.
3. If runout is more than the limit value, remove and check propeller shaft.
4. Check the vibration by driving vehicle.



REAR PROPELLER SHAFT: 3S80A-R

REAR PROPELLER SHAFT: 3S80A-R : Inspection

INFOID:000000006934642

NOISE

- Check the propeller shaft tube surface for dents or cracks. If damaged, replace propeller shaft assembly.
- If center bearing is noisy or damaged, replace propeller shaft assembly.

VIBRATION

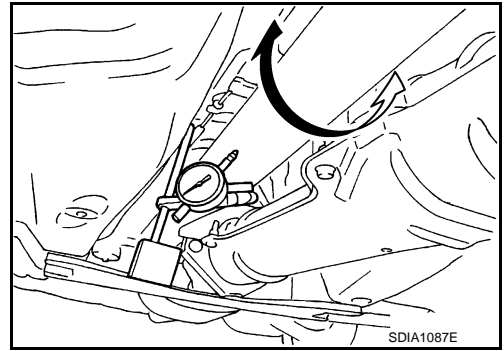
If vibration is present at high speed, inspect propeller shaft runout first.

CHASSIS MAINTENANCE

< PERIODIC MAINTENANCE >

1. With a dial indicator, measure propeller shaft runout at runout measuring points by rotating final drive companion flange with hands.

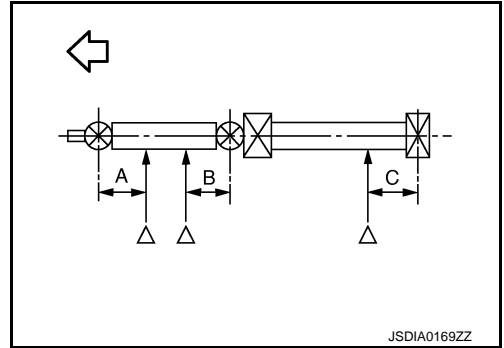
Propeller shaft runout : Refer to [DLN-106, "Propeller Shaft Runout"](#).



- Propeller shaft runout measuring point (Point "△").

↔: Vehicle front

Dimension
A: 192 mm (7.56 in)
B: 172 mm (6.77 in)
C: 172 mm (6.77 in)



2. If runout still exceeds specifications, separate propeller shaft at final drive companion flange; then change the phase between companion flange and propeller shaft by the one bolt hole at a time and install propeller shaft.
3. If runout is more than the limit value, remove and check propeller shaft.
4. Check the vibration by driving vehicle.

REAR PROPELLER SHAFT: 3F80A-1VL107

REAR PROPELLER SHAFT: 3F80A-1VL107 : Inspection

INFOID:000000006934644

NOISE

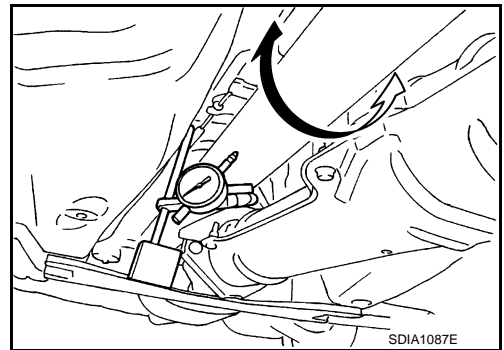
- Check the propeller shaft tube surface for dents or cracks. If damaged, replace propeller shaft assembly.
- If center bearing is noisy or damaged, replace propeller shaft assembly.

VIBRATION

If vibration is present at high speed, inspect propeller shaft runout first.

1. With a dial indicator, measure propeller shaft runout at runout measuring points by rotating final drive companion flange with hands.

Propeller shaft runout : Refer to [DLN-115, "Propeller Shaft Runout"](#).



A
B
C
D
E
F
G
H
I
J
K
L
M
N
O

MA

CHASSIS MAINTENANCE

< PERIODIC MAINTENANCE >

- Propeller shaft runout measuring point (Point "△").

↩: Vehicle front

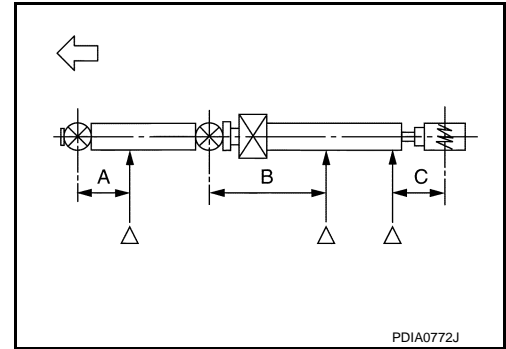
Dimension

A: 162 mm (6.38 in)

B: 245 mm (9.65 in)

C: 185 mm (7.28 in)

2. If runout still exceeds specifications, separate propeller shaft at final drive companion flange or transfer companion flange; then change the phase between companion flange and propeller shaft by the one bolt hole at a time and install propeller shaft.
3. If runout is more than the limit value, remove and check propeller shaft.
4. Check the vibration by driving vehicle.



FRONT DIFFERENTIAL GEAR OIL: F160A

FRONT DIFFERENTIAL GEAR OIL: F160A : Inspection

INFOID:000000006956182

OIL LEAKAGE

Make sure that oil is not leaking from final drive assembly or around it.

OIL LEVEL

- Remove filler plug (1) and check oil level from filler plug mounting hole as shown in the figure.

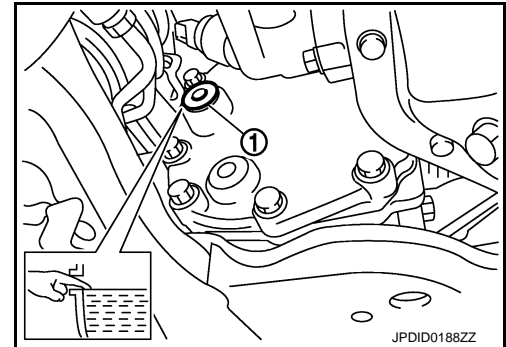
CAUTION:

Never start engine while checking oil level.

- Set a gasket on filler plug and install it on final drive assembly. Refer to [DLN-129, "Exploded View"](#).

CAUTION:

Never reuse gasket.



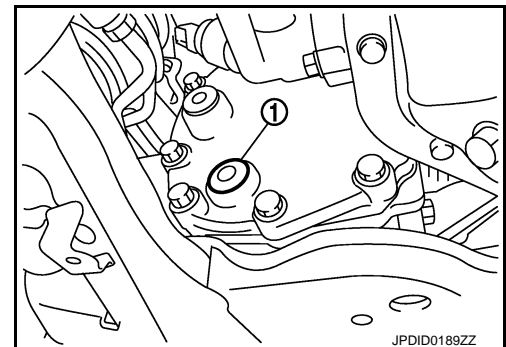
FRONT DIFFERENTIAL GEAR OIL: F160A : Draining

INFOID:000000006956183

1. Stop engine.
2. Remove drain plug (1) and drain gear oil.
3. Set a gasket on drain plug and install it to final drive assembly and tighten to the specified torque. Refer to [DLN-129, "Exploded View"](#).

CAUTION:

Never reuse gasket.



CHASSIS MAINTENANCE

< PERIODIC MAINTENANCE >

FRONT DIFFERENTIAL GEAR OIL: F160A : Refilling

INFOID:000000006956184

1. Remove filler plug (1). Fill with new gear oil until oil level reaches the specified level near filler plug mounting hole.

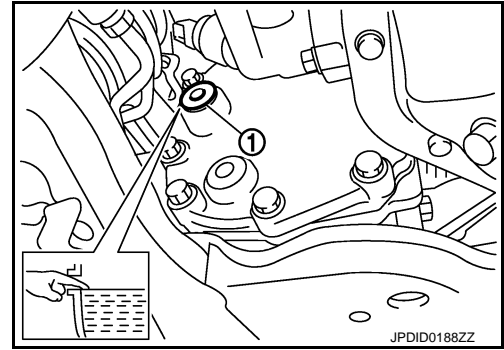
Oil grade and Viscosity : Refer to [MA-11, "Fluids and Lubricants"](#).

Oil capacity : Refer to [DLN-154, "General Specifications"](#).

2. After refilling oil, check oil level. Set a gasket to filler plug, then install it to final drive assembly. Refer to [DLN-129, "Exploded View"](#).

CAUTION:

Never reuse gasket.



REAR DIFFERENTIAL GEAR OIL: R200

REAR DIFFERENTIAL GEAR OIL: R200 : Inspection

INFOID:000000006956185

OIL LEAKAGE

Make sure that oil is not leaking from final drive assembly or around it.

OIL LEVEL

- Remove filler plug (1) and check oil level from filler plug mounting hole as shown in the figure.

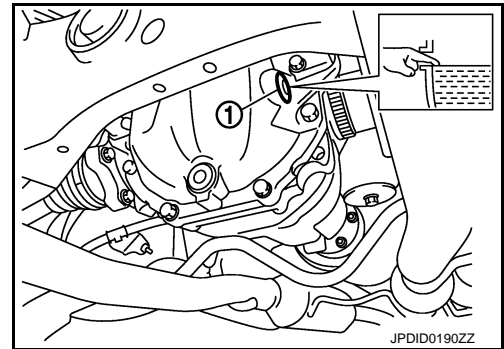
CAUTION:

Never start engine while checking oil level.

- Set a gasket on filler plug and install it on final drive assembly. Refer to [DLN-183, "2WD : Exploded View"](#) (2WD), [DLN-196, "AWD : Exploded View"](#) (AWD).

CAUTION:

Never reuse gasket.



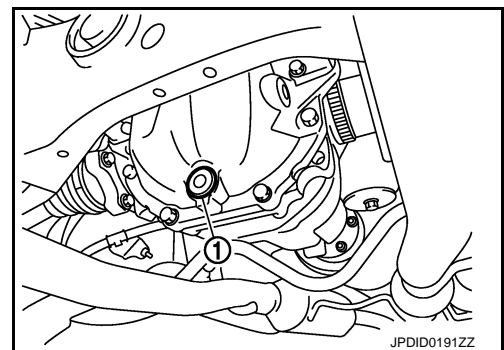
REAR DIFFERENTIAL GEAR OIL: R200 : Draining

INFOID:000000006956186

1. Stop the engine.
2. Remove drain plug (1) and drain gear oil.
3. Set a gasket on drain plug and install it to final drive assembly and tighten to the specified torque. Refer to [DLN-183, "2WD : Exploded View"](#) (2WD), [DLN-196, "AWD : Exploded View"](#) (AWD).

CAUTION:

Never reuse gasket.



MA

CHASSIS MAINTENANCE

< PERIODIC MAINTENANCE >

REAR DIFFERENTIAL GEAR OIL: R200 : Refilling

INFOID:000000006956187

1. Remove filler plug (1). Fill with new gear oil until oil level reaches the specified level near filler plug mounting hole.

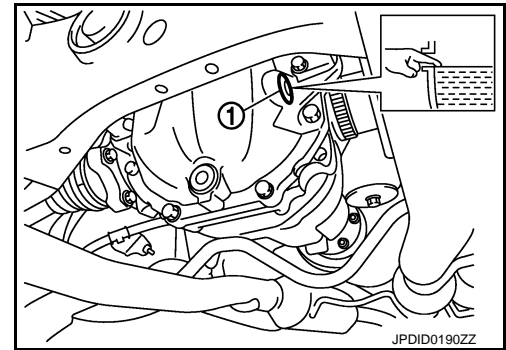
Oil grade and viscosity : Refer to [MA-11, "Fluids and Lubricants"](#).

Oil capacity : Refer to [DLN-225, "General Specification"](#).

2. After refilling oil, check oil level. Set a gasket to filler plug, then install it to final drive assembly. Refer to [DLN-183, "2WD : Exploded View"](#) (2WD), [DLN-196, "AWD : Exploded View"](#) (AWD).

CAUTION:

Never reuse gasket.



REAR DIFFERENTIAL GEAR OIL: R200V

REAR DIFFERENTIAL GEAR OIL: R200V : Inspection

INFOID:000000006956188

OIL LEAKAGE

- Make sure that oil is not leaking from final drive assembly or around it.

OIL LEVEL

- Remove filler plug (1) and check oil level from filler plug mounting hole as shown in the figure.

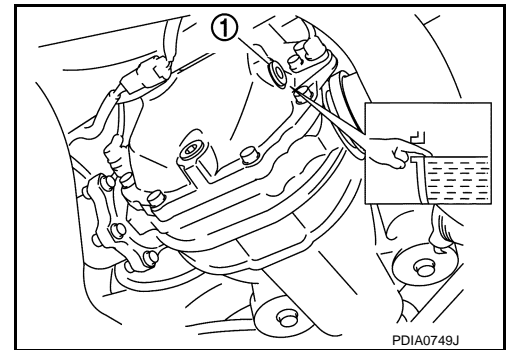
CAUTION:

Never start engine while checking oil level.

- Set a gasket on filler plug and install it on final drive assembly. Refer to [DLN-265, "2WD \(M/T\) : Exploded View"](#) [2WD (M/T models)], [DLN-277, "2WD \(A/T\) : Exploded View"](#) [2WD (A/T models)], [DLN-290, "AWD : Exploded View"](#) (AWD).

CAUTION:

Never reuse gasket.



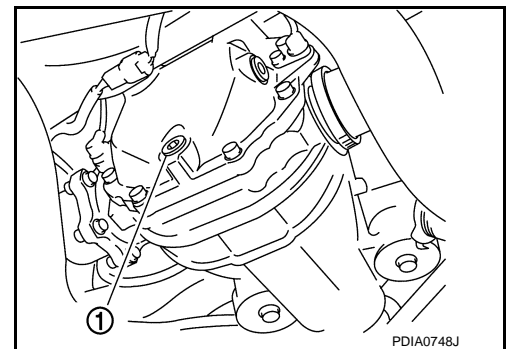
REAR DIFFERENTIAL GEAR OIL: R200V : Draining

INFOID:000000006956189

1. Stop engine.
2. Remove drain plug (1) and drain gear oil.
3. Set a gasket on drain plug and install it to final drive assembly and tighten to the specified torque. Refer to [DLN-265, "2WD \(M/T\) : Exploded View"](#) [2WD (M/T models)], [DLN-277, "2WD \(A/T\) : Exploded View"](#) [2WD (A/T models)], [DLN-290, "AWD : Exploded View"](#) (AWD).

CAUTION:

Never reuse gasket.



CHASSIS MAINTENANCE

< PERIODIC MAINTENANCE >

REAR DIFFERENTIAL GEAR OIL: R200V : Refilling

INFOID:000000006956190

1. Remove filler plug (1). Fill with new gear oil until oil level reaches the specified level near filler plug mounting hole.

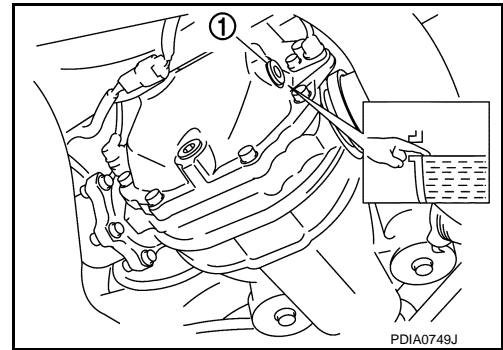
Oil grade and viscosity : Refer to [MA-11, "Fluids and Lubricants"](#).

Oil capacity : Refer to [DLN-327, "General Specification"](#).

2. After refilling oil, check oil level. Set a gasket to filler plug, then install it to final drive assembly. Refer to [DLN-265, "2WD \(M/T\) : Exploded View"](#) [2WD (M/T models)], [DLN-277, "2WD \(A/T\) : Exploded View"](#) [2WD (A/T models)], [DLN-290, "AWD : Exploded View"](#) (AWD).

CAUTION:

Never reuse gasket.



WHEELS (BONDING WEIGHT TYPE)

WHEELS (BONDING WEIGHT TYPE) : Adjustment

INFOID:000000006456798

BALANCING WHEELS (BONDING WEIGHT TYPE)

Preparation Before Adjustment

Using releasing agent, remove double-faced adhesive tape from the road wheel.

CAUTION:

- Be careful not scratch the road wheel during removal.
- After removing double-faced adhesive tape, wipe clean traces of releasing agent from the road wheel.

Wheel Balance Adjustment

- If a tire balance machine has adhesion balance weight mode settings and drive-in weight mode setting, select and adjust a drive-in weight mode suitable for road wheels.

1. Set road wheel on tire balance machine using the center hole as a guide. Start the tire balance machine.
2. When inner and outer unbalance values are shown on the tire balance machine indicator, multiply outer unbalance value by 5/3 to determine balance weight that should be used. Select the outer balance weight with a value closest to the calculated value above and install in to the designated outer position of, or at the designated angle in relation to the road wheel.

CAUTION:

- Never install the inner balance weight before installing the outer balance weight.
- Before installing the balance weight, be sure to clean the mating surface of the road wheel.

- a. Indicated un balance value $\times 5/3$ = balance weight to be installed

Calculation example:

23 g (0.81 oz) $\times 5/3$ = 38.33 g (1.35 oz) \Rightarrow 37.5 g (1.32 oz) balance weight (closer to calculated balance weight value)

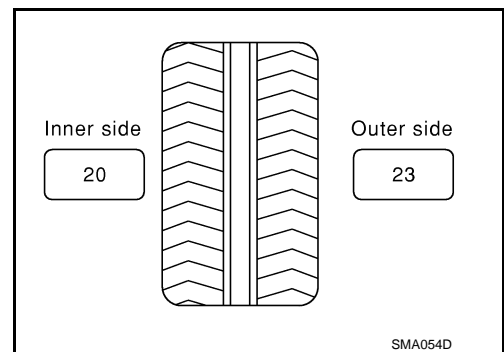
NOTE:

Note that balance weight value must be closer to the calculated balance weight value.

Example:

36.2 \Rightarrow 35 g (1.23 oz)

36.3 \Rightarrow 37.5 g (1.32 oz)



- b. Installed balance weight in the position.

A
B
C
D
E
F
G
H
I
J
K
L
M
N
O

MA

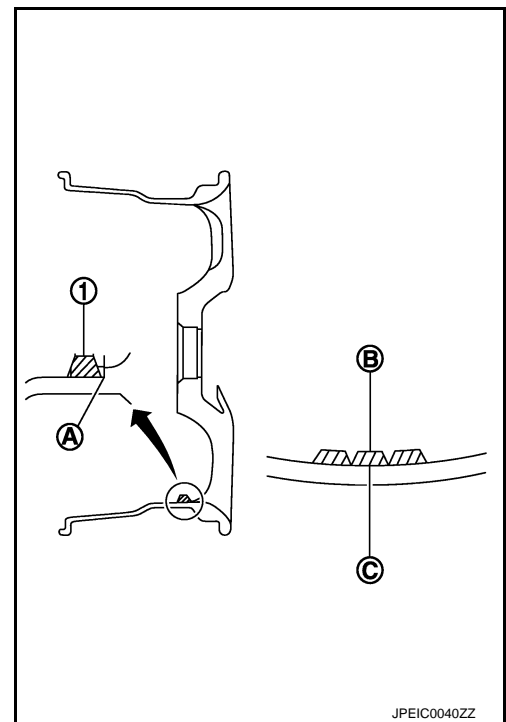
CHASSIS MAINTENANCE

< PERIODIC MAINTENANCE >

- When installing balance weight (1) to road wheels, set it into the grooved area (A) on the inner wall of the road wheel as shown in the figure so that the balance weight center (B) is aligned with the tire balance machine indication position (angle) (C).

CAUTION:

- Always use genuine NISSAN adhesion balance weights.
- Balance weights are non-reusable; always replace with new ones.
- Never install more than three sheets of balance weight.



- If calculated balance weight value exceeds 50 g (1.76 oz), install two balance weight sheets in line with each other as shown in the figure.

CAUTION:

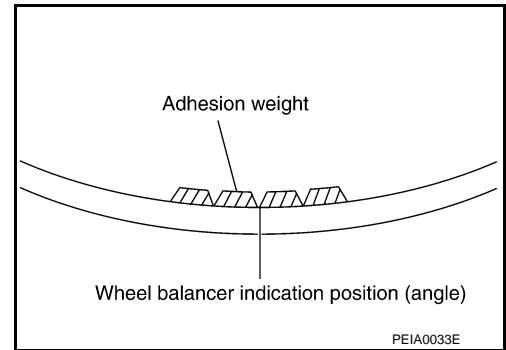
Never install one balance weight sheet on top another.

- Start tire balance machine again.
- Install drive-in balance weight on inner side of road wheel in the tire balance machine indication position (angle).

CAUTION:

Never install more than two balance weight.

- Start tire balance machine. Make sure that inner and outer residual unbalance values are 5 g (0.17 oz) each or below.
- If either residual unbalance value exceeds 5 g (0.17 oz), repeat installation procedures.



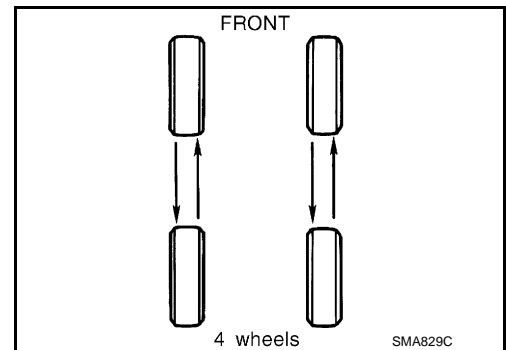
Wheel balance	Dynamic (At flange)	Static (At flange)
Maximum allowable unbalance	Refer to MA-37, "ROAD WHEEL : Road Wheel" .	

TIRE ROTATION (for 18 inch wheel models)

- Follow the maintenance schedule for tire rotation service intervals. Refer to [MA-4, "Explanation of General Maintenance"](#).
- When installing the wheel, tighten wheel nuts to the specified torque.

CAUTION:

- Never include the T-type spare tire when rotating the tires.
- When installing wheels, tighten them diagonally by dividing the work two to three times in order to prevent the wheels from developing any distortion.
- Be careful not to tighten wheel nut at torque exceeding the criteria for preventing strain of disc rotor.
- Use NISSAN genuine wheel nuts for aluminum wheels.



Wheel nuts tightening torque : Refer to [WT-48, "Exploded View"](#).

CHASSIS MAINTENANCE

< PERIODIC MAINTENANCE >

- Perform the ID registration, after tire rotation. Refer to [WT-22. "Work Procedure"](#).

TIRE ROTATION (for 19 inch wheel models)

- Tire cannot be rotated in vehicle, as front tire are different size from rear tire is fixed in each tire.

Wheel nuts tightening torque : Refer to [WT-48. "Exploded View"](#).

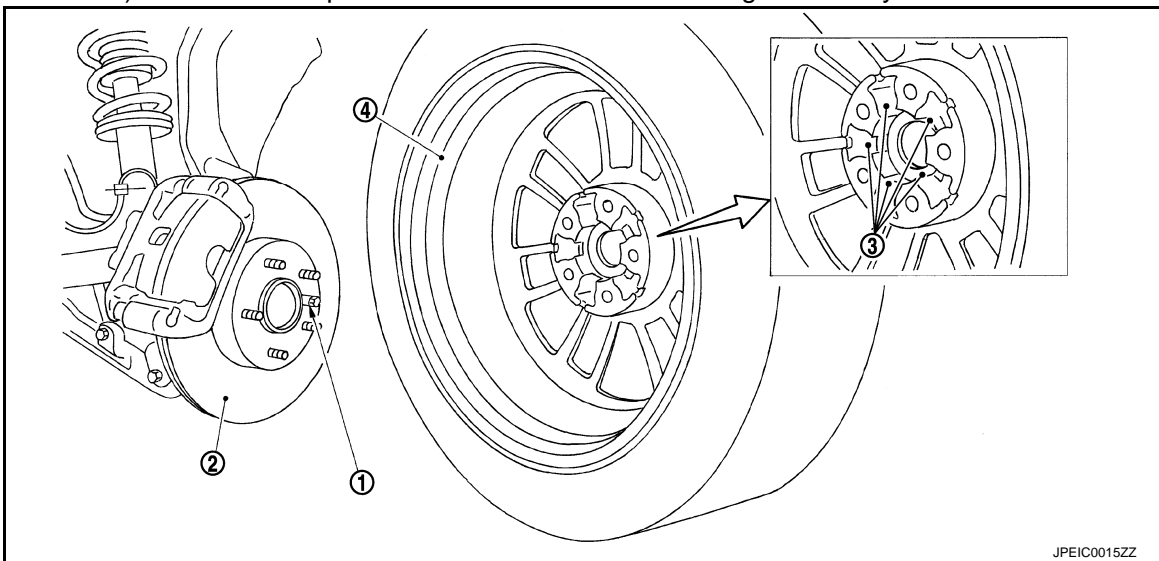
CAUTION:

- **Never include the T-type spare tire when rotating the tires.**
- **Use NISSAN genuine wheel nuts for aluminum wheels.**

Safety Device Preventing from Being Incorrectly installed

FRONT BRAKE DISC ROTOR AND FRONT WHEEL

- Front and rear wheel size for this model differs, therefore special pin (1) is adopted to the front brake disc rotor (2). And a hole (3) that matches to this pin is adopted to the front wheel (4) (the rear wheel does not have this wheel). This structure prevents the rear wheel from being mistakenly installed on the front.

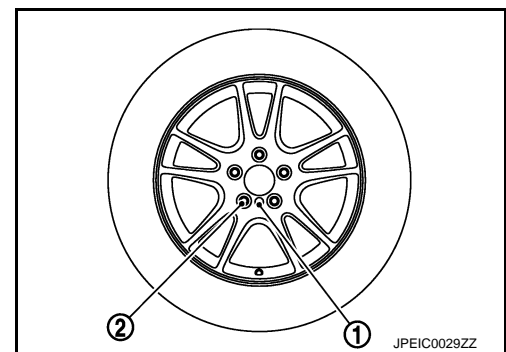


T-TYPE SPARE TIRE WHEEL

- Regarding spare tire (for emergency) wheel, wrong assembly protection pin through hole (1) has been set in addition to regular bolt holes (2) in order to enable installation to front wheel.

NOTE:

Protection pin through hole of 18 inch spare wheel is non-through type.



BRAKE FLUID LEVEL AND LEAKS

A
B
C
D
E
F
G
H
I
J
K
L
M
N
O

MA

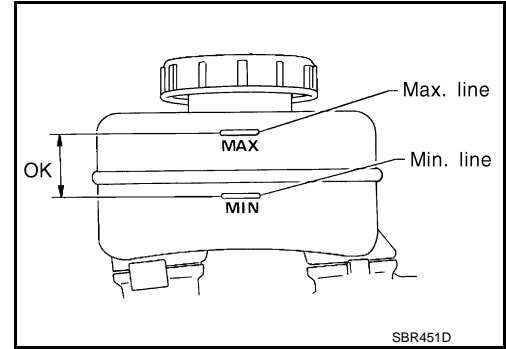
CHASSIS MAINTENANCE

< PERIODIC MAINTENANCE >

BRAKE FLUID LEVEL AND LEAKS : Inspection

INFOID:000000006456799

- If fluid level is extremely low, check brake system for leaks.

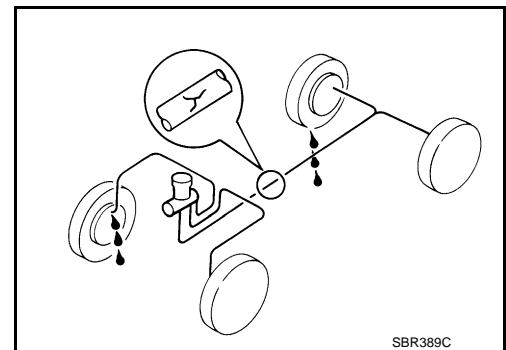


BRAKE LINES AND CABLES

BRAKE LINES AND CABLES : Inspection

INFOID:000000006456800

- Check brake fluid lines and parking brake cables for improper attachment, leaks, chafing, abrasions, deterioration, etc.

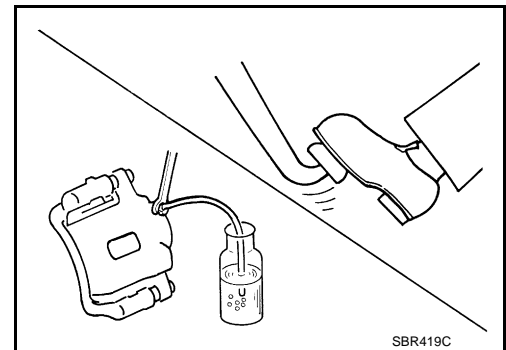


BRAKE FLUID

BRAKE FLUID : Changing

INFOID:000000006456801

1. Drain brake fluid from each bleed valve.
2. Refill until new brake fluid comes out from each bleed valve. Use same procedure as in bleeding hydraulic system to refill brake fluid.
Refer to [BR-11. "Bleeding Brake System"](#).
 - Refill with recommended Genuine NISSAN Super Heavy Duty Brake Fluid or equivalent DOT 3 (US FMVSS No. 116). Refer to [MA-11. "Fluids and Lubricants"](#).
 - Never reuse drained brake fluid.
 - Be careful not to splash brake fluid on painted areas.



DISC BRAKE

DISC BRAKE : Inspection

INFOID:000000006456802

DISC ROTOR

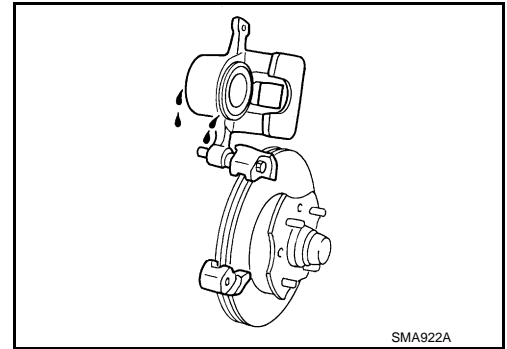
Check condition, wear, and damage.

CALIPER

- Check for leakage.

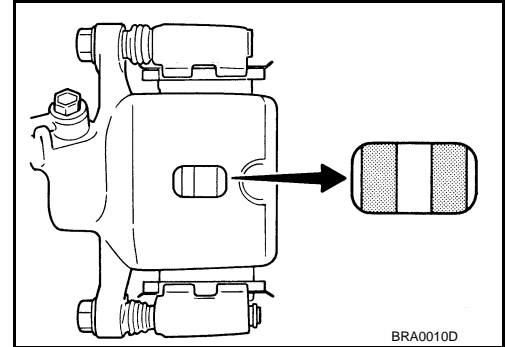
CHASSIS MAINTENANCE

< PERIODIC MAINTENANCE >



BRAKE PAD

- Check for wear or damage.



DISC BRAKE : Front Disc Brake

INFOID:000000006957267

1 PISTON TYPE

Unit: mm (in)

Item		Limit
Brake pad	Wear thickness	2.0 (0.079)
	Wear thickness	30.0 (1.181)
Disc rotor	Thickness variation (measured at 8 positions)	0.015 (0.0006)
	Runout (with it attached to the vehicle)	0.035 (0.0014)

4 PISTON TYPE

Unit: mm (in)

Item		Limit
Brake pad	Wear thickness	2.0 (0.079)
	Wear thickness	30.0 (1.181)
Disc rotor	Thickness variation (measured at 8 positions)	0.015 (0.0006)
	Runout (with it attached to the vehicle)	0.035 (0.0014)

DISC BRAKE : Rear Disc Brake

INFOID:000000006957268

1 PISTON TYPE

Unit: mm (in)

Item		Limit
Brake pad	Wear thickness	2.0 (0.079)
	Wear thickness	15.0 (0.591)
Disc rotor	Thickness variation (measured at 8 positions)	0.015 (0.0006)
	Runout (with it attached to the vehicle)	0.055 (0.0022)

2 PISTON TYPE

A
B
C
D
E
F
G
H
I
J
K
L
M
N
O

MA

CHASSIS MAINTENANCE

< PERIODIC MAINTENANCE >

Unit: mm (in)

Item		Limit
Brake pad	Wear thickness	2.0 (0.079)
Disc rotor	Wear thickness	18.0 (0.709)
	Thickness variation (measured at 8 positions)	0.015 (0.0006)
	Runout (with it attached to the vehicle)	0.055 (0.0022)

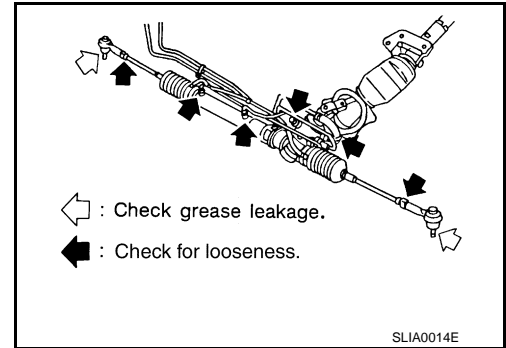
STEERING GEAR AND LINKAGE

STEERING GEAR AND LINKAGE : Inspection

INFOID:000000006456805

STEERING GEAR

- Check gear housing and boots for looseness, damage and grease leakage.
- Check connection with steering column for looseness.



STEERING LINKAGE

Check ball joint, dust cover and other component parts for looseness, wear, damage and grease leakage.

POWER STEERING FLUID AND LINES

POWER STEERING FLUID AND LINES : Inspection

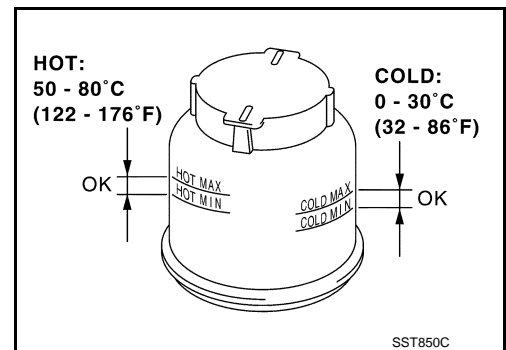
INFOID:000000006456806

Check fluid level in reservoir tank with engine off.

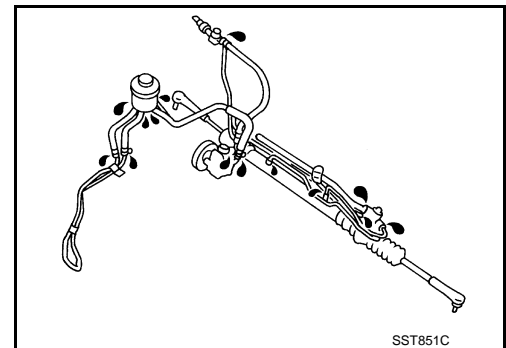
Use "HOT" range at fluid temperatures of 50 to 80°C (122 to 176°F) or "COLD" range at fluid temperatures of 0 to 30°C (32 to 86°F).

CAUTION:

- Do not overfill.
- Recommended fluid is Genuine NISSAN PSF or equivalent. Refer to [MA-11, "Fluids and Lubricants"](#).



- Check lines for improper attachment, leaks, cracks, damage, loose connections, chafing and deterioration.
- Check rack boots for accumulation of power steering fluid.



AXLE AND SUSPENSION PARTS

CHASSIS MAINTENANCE

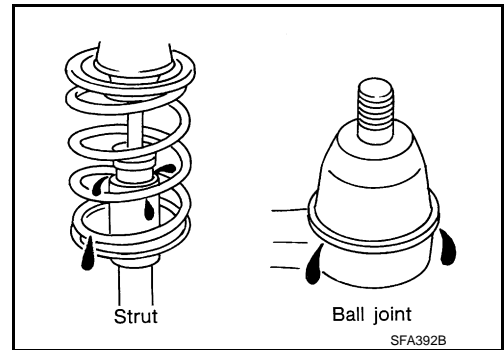
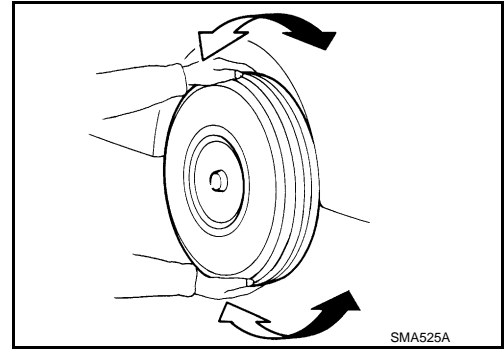
< PERIODIC MAINTENANCE >

AXLE AND SUSPENSION PARTS : Inspection

INFOID:000000006456807

Check front and rear axle and suspension parts for excessive play, cracks, wear or other damage.

- Shake each wheel to check for excessive play.
- Check wheel bearings for smooth operation.
- Check axle and suspension nuts and bolts for looseness.
- Check strut (shock absorber) for oil leakage or other damage.
- Check suspension ball joint for grease leakage and ball joint dust cover for cracks or other damage.

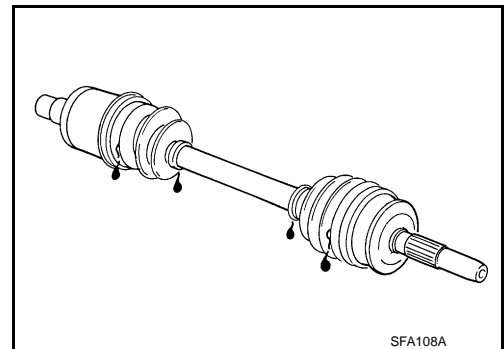


DRIVE SHAFT

DRIVE SHAFT : Inspection

INFOID:000000006456808

Check boot and drive shaft for cracks, wear, damage and grease leakage.



A
B
C
D
E
F
G
H
I
J
K
L
M
N
O

MA

BODY MAINTENANCE

< PERIODIC MAINTENANCE >

BODY MAINTENANCE

LOCKS, HINGES AND HOOD LATCH

LOCKS, HINGES AND HOOD LATCH : Lubricating

INFOID:000000006456809

For hood lock illustration. Refer to [DLK-211, "HOOD ASSEMBLY : Exploded View"](#) and [DLK-214, "HOOD LOCK CONTROL : Exploded View"](#).

For door lock illustration. Refer to [DLK-233, "DOOR LOCK : Exploded View"](#).

For trunk lid lock illustration. Refer to [DLK-240, "TRUNK LID LOCK : Exploded View"](#).

SEAT BELT, BUCKLES, RETRACTORS, ANCHORS AND ADJUSTERS

SEAT BELT, BUCKLES, RETRACTORS, ANCHORS AND ADJUSTERS : Inspection

INFOID:000000006456810

For front seat belt illustration. Refer to [SB-6, "SEAT BELT RETRACTOR : Exploded View"](#).

For rear seat belt illustration. Refer to [SB-11, "SEAT BELT RETRACTOR : Exploded View"](#).

CAUTION:

- After any collision, inspect all seat belt assemblies, including retractors and other attached hardware (i.e. anchor bolt, guide rail set). Nissan recommends to replace all seat belt assemblies in use during a collision, unless not damaged and properly operating after minor collision.

Also inspect seat belt assemblies not in use during a collision, and replace if damaged or improperly operating.

Seat belt pre-tensioner should be replaced even if the seat belts are not in use during a frontal collision where the driver and passenger air bags are deployed.

- If any component of seat belt assembly is questionable, do not repair.

Replace as seat belt assembly.

- If webbing is cut, frayed, or damaged, replace belt assembly.
- Never oil tongue and buckle.
- Use a genuine NISSAN seat belt assembly.

For details, refer to [SB-4, "SEAT BELT RETRACTOR : Inspection"](#), [SB-9, "SEAT BELT RETRACTOR : Inspection"](#) in SB section.

- Check anchors for loose mounting
- Check belts for damage
- Check retractor for smooth operation
- Check function of buckles and tongues when buckled and released

SERVICE DATA AND SPECIFICATIONS (SDS)

< SERVICE DATA AND SPECIFICATIONS (SDS)

SERVICE DATA AND SPECIFICATIONS (SDS)

SERVICE DATA AND SPECIFICATIONS (SDS)

DRIVE BELT

DRIVE BELT : Drive Belt

INFOID:000000006456811

DRIVE BELT

Tension of drive belt	Belt tension is not necessary, as it is automatically adjusted by drive belt auto-tensioner.
-----------------------	--

ENGINE COOLANT

ENGINE COOLANT : Periodical Maintenance Specification

INFOID:000000006456812

ENGINE COOLANT CAPACITY (APPROXIMATE)

Unit: ℓ (US qt, Imp qt)

Engine coolant capacity [With reservoir tank ("MAX" level)]	A/T models	8.5 (9, 7-1/2)
	M/T models	8.6 (9-1/8, 7-5/8)
Reservoir tank engine coolant capacity (At "MAX" level)		0.8 (7/8, 3/4)

ENGINE OIL

ENGINE OIL : Periodical Maintenance Specification

INFOID:000000006456813

ENGINE OIL CAPACITY (APPROXIMATE)

Unit: ℓ (US qt, Imp qt)

Drain and refill	With oil filter change	4.9 (5-1/8, 4-1/4)
	Without oil filter change	4.6 (4-7/8, 4)
Dry engine (Overhaul)		5.7 (6, 5)

SPARK PLUG

SPARK PLUG : Spark Plug

INFOID:000000006456814

SPARK PLUG

Unit: mm (in)

Make	DENSO
Standard type	FXE24HR11
Gap (Nominal)	1.1 (0.043)

ROAD WHEEL

ROAD WHEEL : Road Wheel

INFOID:000000006456815

ALUMINUM WHEEL (CONVENTIONAL)

Item		Limit
Radial runout	Lateral deflection	Less than 0.3 mm (0.012 in)
	Vertical deflection	
Allowable unbalance	Dynamic (At flange)	Less than 5 g (0.17 oz) (one side)
	Static (At flange)	Less than 10 g (0.35 oz)

STEEL WHEEL (FOR EMERGENCY USE)

A
B
C
D
E
F
G
H
I
J
K
L
M
N
O

MA

SERVICE DATA AND SPECIFICATIONS (SDS)

< SERVICE DATA AND SPECIFICATIONS (SDS)

Item		Limit
Radial runout	Lateral deflection	Less than 1.5 mm (0.059 in)
	Vertical deflection	
Allowable unbalance	Dynamic (At flange)	Less than 5 g (0.17 oz) (one side)
	Static (At flange)	Less than 10 g (0.35 oz)