

VTL
SECTION
VENTILATION SYSTEM

A
B
C
D
E
F
G
H
I
J
K
L
M
N
O
P

CONTENTS

<p>SYSTEM DESCRIPTION 3</p> <p>SWITCHES AND THEIR CONTROL FUNCTION 3</p> <p>WITHOUT LEFT AND RIGHT VENTILATION TEMPERATURE SEPARATELY CONTROL SYSTEM.....3 WITHOUT LEFT AND RIGHT VENTILATION TEMPERATURE SEPARATELY CONTROL SYSTEM : System Description3</p> <p>WITH LEFT AND RIGHT VENTILATION TEMPERATURE SEPARATELY CONTROL SYSTEM3 WITH LEFT AND RIGHT VENTILATION TEMPERATURE SEPARATELY CONTROL SYSTEM : System Description3</p> <p>AIR DISTRIBUTION 5 System Description5</p> <p>PRECAUTION 6</p> <p>PRECAUTIONS 6 Precaution for Supplemental Restraint System (SRS) "AIR BAG" and "SEAT BELT PRE-TENSIONER"6 Precaution for Battery Service6</p> <p>PREPARATION 7</p> <p>PREPARATION 7 Commercial Service Tool7</p> <p>PERIODIC MAINTENANCE 8</p> <p>IN-CABIN MICROFILTER 8 Exploded View8 Removal and Installation8 Replacement8</p> <p>REMOVAL AND INSTALLATION 9</p> <p>DUCT AND GRILLE 9</p>	<p>Exploded View 9</p> <p>CENTER VENTILATOR GRILLE10 CENTER VENTILATOR GRILLE : Removal and Installation10</p> <p>SIDE VENTILATOR GRILLE10 SIDE VENTILATOR GRILLE : Removal and Installation10</p> <p>FRONT DEFROSTER GRILLE11 FRONT DEFROSTER GRILLE : Removal and Installation11</p> <p>FRONT DEFROSTER NOZZLE, SIDE DEFROSTER NOZZLE AND VENTILATOR DUCT11 FRONT DEFROSTER NOZZLE, SIDE DEFROSTER NOZZLE AND VENTILATOR DUCT : Removal and Installation11</p> <p>SIDE DEFROSTER DUCT11 SIDE DEFROSTER DUCT : Removal and Installation11</p> <p>REAR FLOOR DUCT 112 REAR FLOOR DUCT 1 : Removal and Installation12</p> <p>FOOT GRILLE12 FOOT GRILLE : Removal and Installation12</p> <p>HEATER DUCT13 HEATER DUCT : Removal and Installation13</p> <p>FOOT DUCT13 FOOT DUCT : Removal and Installation13</p> <p>BLOWER UNIT15 Exploded View15</p> <p>BLOWER UNIT16 BLOWER UNIT : Removal and Installation16</p> <p>BLOWER MOTOR17</p>
--	--

VTL

SWITCHES AND THEIR CONTROL FUNCTION

< SYSTEM DESCRIPTION >

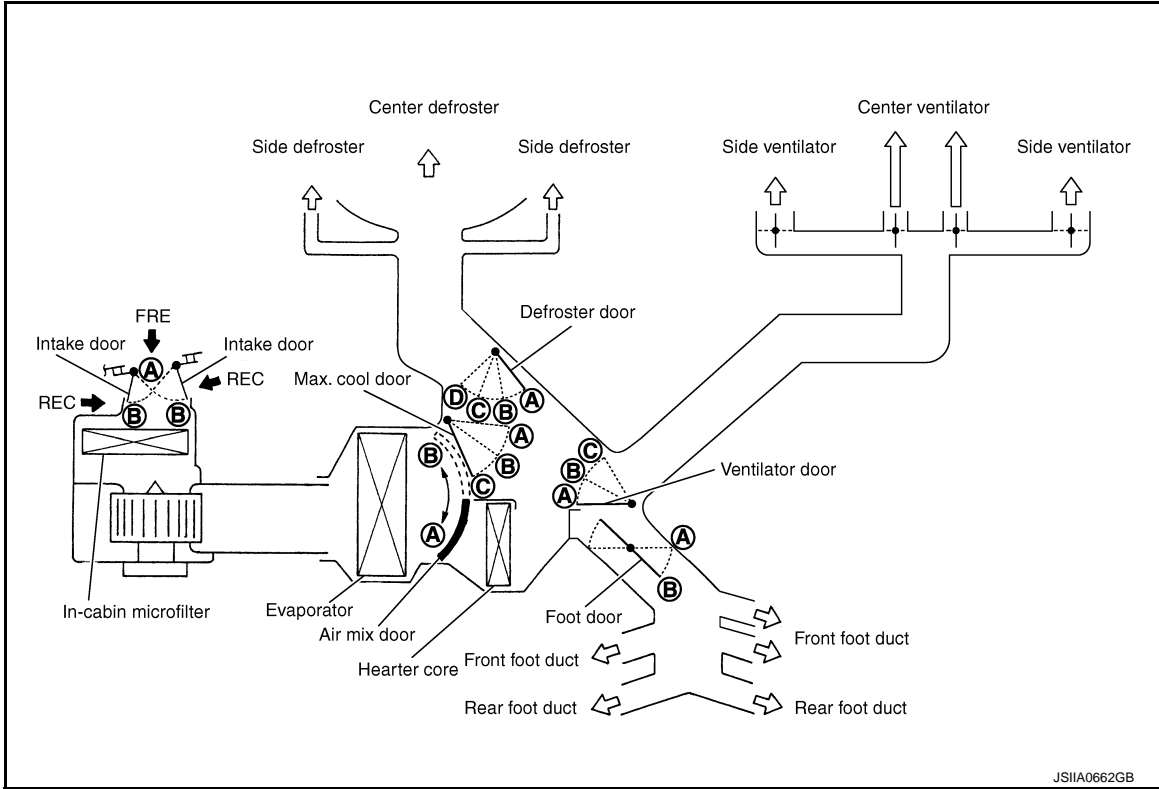
SYSTEM DESCRIPTION

SWITCHES AND THEIR CONTROL FUNCTION

WITHOUT LEFT AND RIGHT VENTILATION TEMPERATURE SEPARATELY CONTROL SYSTEM

WITHOUT LEFT AND RIGHT VENTILATION TEMPERATURE SEPARATELY CONTROL SYSTEM : System Description

INFOID:000000007470157



JSIIA0662GB

Position or switch	MODE switch				DEF switch		AUTO switch	Intake switch		Temperature control dial			OFF switch
	VENT	B/L	FOOT	D/F	ON	OFF		FRE	REC	18°C (60°F) ↔ 32°C (90°F)			
Ventilator door	(A)	(B)	(C)	(C)	(C)		AUTO	—	—	—			(C)
Max.cool door	(A)	(B)	(C)	(C)	(C)			—	—	—			(C)
Defroster door	(D)	(D)	(C)	(B)	(A)			—	—	—			(C)
Foot door	(B)	(B)	(B)	(B)	(A)			—	—	—			(B)
Intake door	—		(B)	(B)				(B)*	(A)*	—			(B)
Air mix door	—									(A)	AUTO	(B)	—

*:Inlet status is displayed by LED when activating automatic control.

JSIIA1104GB

WITH LEFT AND RIGHT VENTILATION TEMPERATURE SEPARATELY CONTROL SYSTEM

WITH LEFT AND RIGHT VENTILATION TEMPERATURE SEPARATELY CONTROL

A
B
C
D
E
F
G
H
J
K
L
M
N
O
P

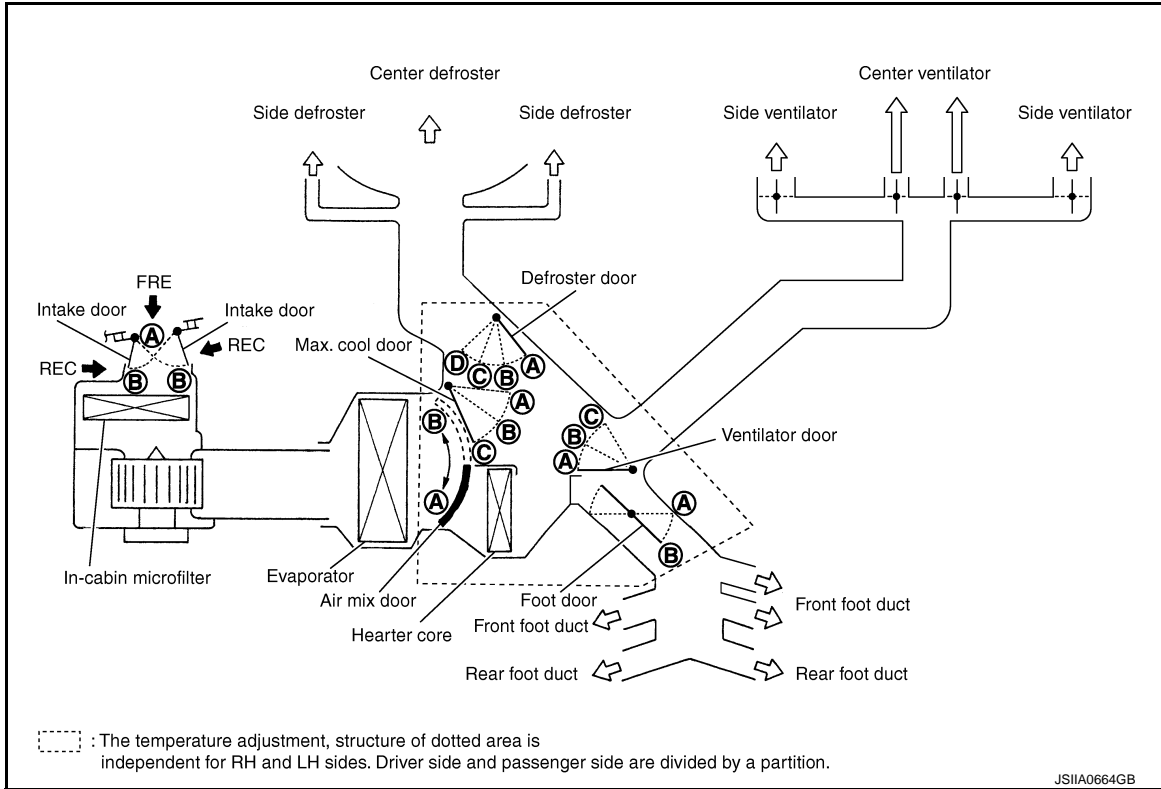
VTL

SWITCHES AND THEIR CONTROL FUNCTION

< SYSTEM DESCRIPTION >

SYSTEM : System Description

INFOID:000000007470158



JSIIA0664GB

Position or switch	DUAL switch	MODE switch				DEF switch		AUTO switch	Intake switch		Temperature control dial(Driver side)		Temperature control dial(Passenger side)		OFF switch	
		VENT	B/L	FOOT	D/F	ON	OFF		FRE	REC						OFF
Door		MODE									18°C (60°F) ↔ 32°C (90°F)	18°C (60°F) ↔ 32°C (90°F)			OFF	
Ventilator door	---	(A)	(B)	(C)	(C)	(C)	---	AUTO	---	---	---	---	---	---	(C)	
Max.cool door	---	(A)	(B)	(C)	(C)	(C)	---	AUTO	---	---	---	---	---	---	(C)	
Defroster door	---	(D)	(D)	(C)	(B)	(A)	---	AUTO	---	---	---	---	---	---	(C)	
Foot door	---	(B)	(B)	(B)	(B)	(A)	---	AUTO	---	---	---	---	---	---	(B)	
Intake door	---	---				(B)	(B)	---	AUTO	(B)* (A)*	---	---	---	---	---	(B)
Air mix door (Driver side)	---	---				---	---	---	AUTO	---	(A) AUTO (B)	---	---	---	---	---
Air mix door (Passenger side)	ON	---				---	---	---	AUTO	---	(A) AUTO (B)	---	---	---	---	---
	OFF	---				---	---	---	AUTO	---	(A) AUTO (B)	---	---	---	---	---

*: Inlet status is displayed by LED when activating automatic control.

JSIIA1105GB

AIR DISTRIBUTION






< SYSTEM DESCRIPTION >

AIR DISTRIBUTION






System Description

INFOID:000000007470159

WITHOUT LEFT AND RIGHT VENTILATION TEMPERATURE SEPARATELY CONTROL SYSTEM

Discharge air flow				
Mode position indication	Air outlet/distribution			
	VENT	FOOT		DEF
		Front	Rear	
	100%	—	—	—
	53%	29%	18%	—
	11%	39%	24%	26%
	9%	33%	21%	37%
	16%	—	—	84%

WITH LEFT AND RIGHT VENTILATION TEMPERATURE SEPARATELY CONTROL SYSTEM

Discharge air flow					
Mode position indication	Condition	Air outlet/distribution			
		VENT	FOOT		DEF
			Front	Rear	
	DUAL switch: OFF	100%	—	—	
		53%	29%	18%	
		11%	39%	24%	
		9%	33%	21%	
		16%	—	—	

A
B
C
D
E
F
G
H
VTL
J
K
L
M
N
O
P

PRECAUTIONS

< PRECAUTION >

PRECAUTION

PRECAUTIONS

Precaution for Supplemental Restraint System (SRS) "AIR BAG" and "SEAT BELT PRE-TENSIONER"

INFOID:000000007798257

The Supplemental Restraint System such as "AIR BAG" and "SEAT BELT PRE-TENSIONER", used along with a front seat belt, helps to reduce the risk or severity of injury to the driver and front passenger for certain types of collision. This system includes seat belt switch inputs and dual stage front air bag modules. The SRS system uses the seat belt switches to determine the front air bag deployment, and may only deploy one front air bag, depending on the severity of a collision and whether the front occupants are belted or unbelted. Information necessary to service the system safely is included in the "SRS AIR BAG" and "SEAT BELT" of this Service Manual.

WARNING:

Always observe the following items for preventing accidental activation.

- **To avoid rendering the SRS inoperative, which could increase the risk of personal injury or death in the event of a collision that would result in air bag inflation, all maintenance must be performed by an authorized NISSAN/INFINITI dealer.**
- **Improper maintenance, including incorrect removal and installation of the SRS, can lead to personal injury caused by unintentional activation of the system. For removal of Spiral Cable and Air Bag Module, see "SRS AIR BAG".**
- **Never use electrical test equipment on any circuit related to the SRS unless instructed to in this Service Manual. SRS wiring harnesses can be identified by yellow and/or orange harnesses or harness connectors.**

PRECAUTIONS WHEN USING POWER TOOLS (AIR OR ELECTRIC) AND HAMMERS

WARNING:

Always observe the following items for preventing accidental activation.

- **When working near the Air Bag Diagnosis Sensor Unit or other Air Bag System sensors with the ignition ON or engine running, never use air or electric power tools or strike near the sensor(s) with a hammer. Heavy vibration could activate the sensor(s) and deploy the air bag(s), possibly causing serious injury.**
- **When using air or electric power tools or hammers, always switch the ignition OFF, disconnect the battery, and wait at least 3 minutes before performing any service.**

Precaution for Battery Service

INFOID:000000007798261

Before disconnecting the battery, lower both the driver and passenger windows. This will prevent any interference between the window edge and the vehicle when the door is opened/closed. During normal operation, the window slightly raises and lowers automatically to prevent any window to vehicle interference. The automatic window function will not work with the battery disconnected.

PREPARATION

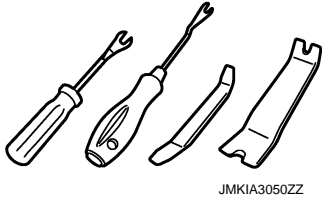
< PREPARATION >

PREPARATION

PREPARATION

Commercial Service Tool

INFOID:000000007470163

Tool name	Description
Remover tool  JMKIA3050ZZ	Remove clips, pawls and metal clips

A

B

C

D

E

F

G

H

VTL

J

K

L

M

N

O

P

IN-CABIN MICROFILTER

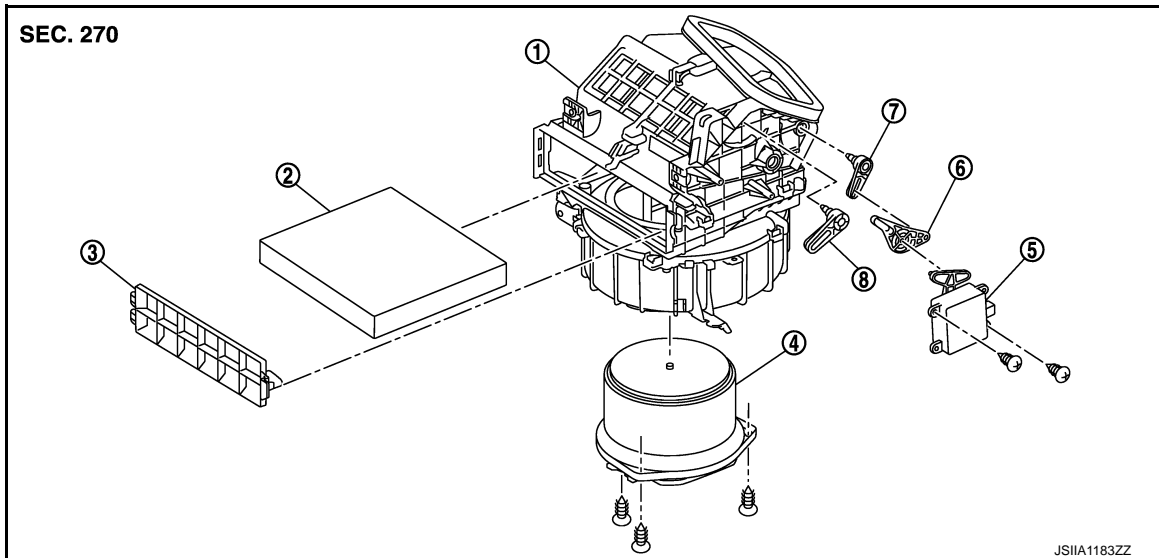
< PERIODIC MAINTENANCE >

PERIODIC MAINTENANCE

IN-CABIN MICROFILTER

Exploded View

INFOID:000000007470164



- | | | |
|--------------------------|-------------------------|---------------------|
| 1. Blower unit | 2. In-cabin microfilter | 3. Filter cover |
| 4. Blower motor assembly | 5. Intake door motor | 6. Intake door link |
| 7. Intake door lever 1 | 8. Intake door lever 2 | |

Removal and Installation

INFOID:000000007470165

REMOVAL

1. Remove instrument lower panel RH. Refer to the following.
 - Refer to [IP-12, "A/T MODELS : Exploded View"](#). (A/T models)
 - Refer to [IP-23, "M/T MODELS : Exploded View"](#). (M/T models)
2. Remove filter cover, and then remove in-cabin microfilter.

INSTALLATION

Note the following items, and then install in the reverse order of removal.

CAUTION:

- If the filter is deformed/damaged when removing, replace it with a new one. Deformed/damaged filter may deteriorate the duct collecting performance.
- When installing, handle the filter with extreme care to avoid deforming/damaging.

Replacement

INFOID:000000007470166

Replace in-cabin microfilter.

Refer to [MA-8, "FOR NORTH AMERICA : Schedule 1"](#) and [MA-10, "FOR NORTH AMERICA : Schedule 2"](#).
Affix a caution label inside the glove box when replacing filter.

DUCT AND GRILLE

< REMOVAL AND INSTALLATION >

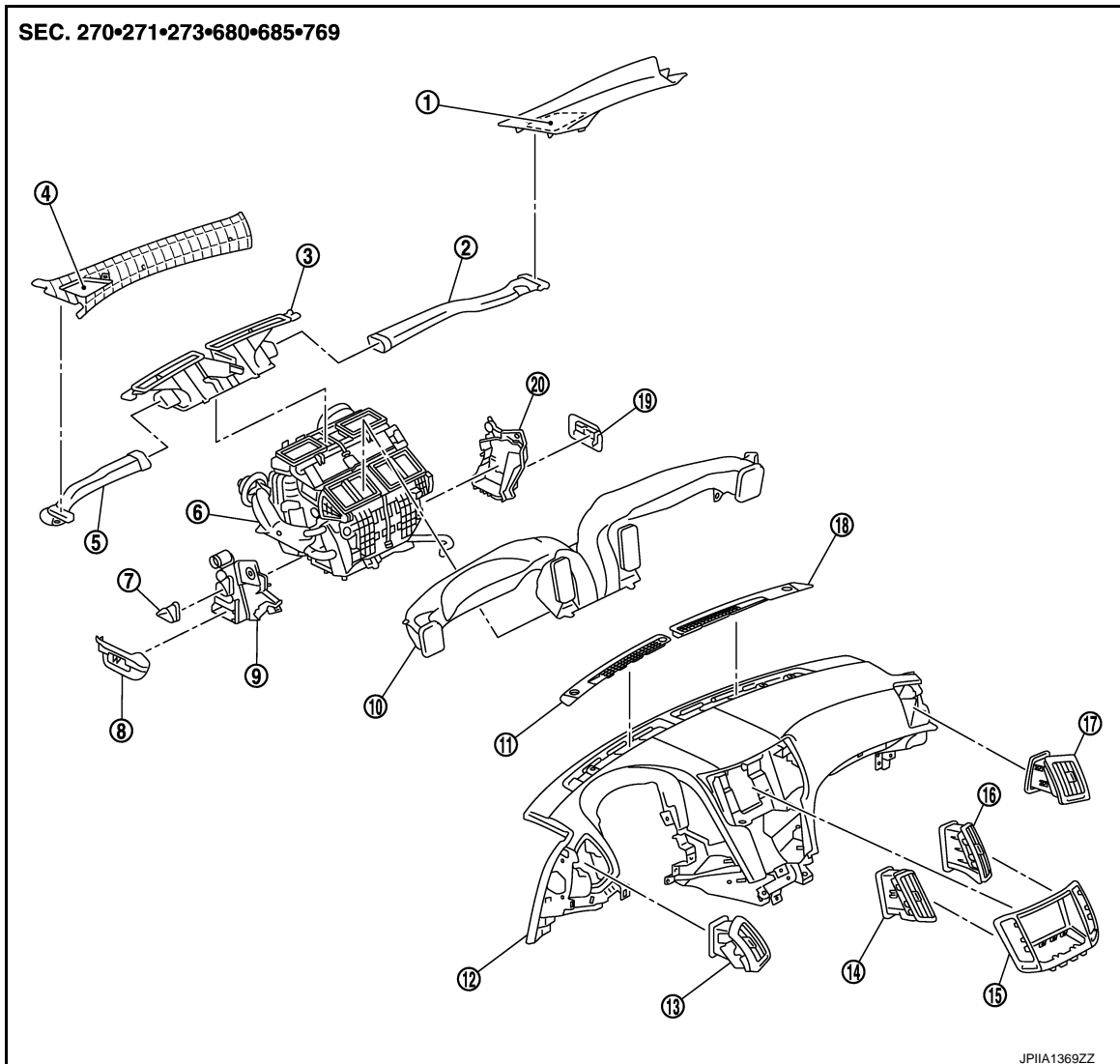
REMOVAL AND INSTALLATION

DUCT AND GRILLE

Exploded View

INFOID:000000007470167

FRONT

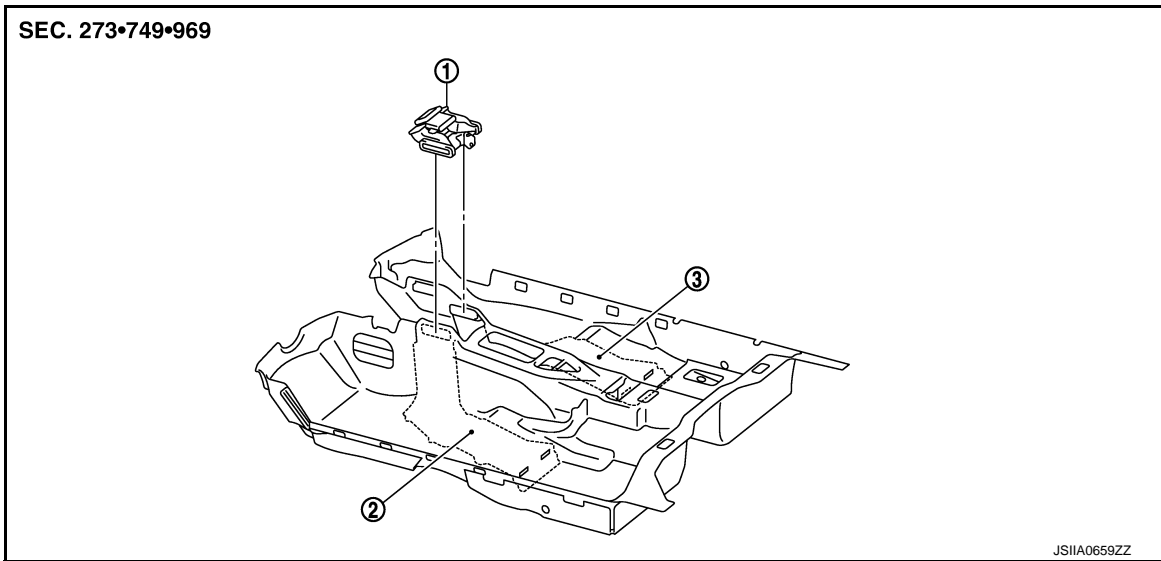


- | | | |
|--|---------------------------------|-----------------------------------|
| 1. Side defroster duct RH
(Front pillar garnish RH) | 2. Side defroster nozzle RH | 3. Defroster nozzle |
| 4. Side defroster duct LH
(Front pillar garnish LH) | 5. Side defroster nozzle LH | 6. Heater & cooling unit assembly |
| 7. Heater duct | 8. Foot grille LH | 9. Foot duct LH |
| 10. Ventilator duct | 11. Front defroster grille LH | 12. Instrument panel assembly |
| 13. Side ventilator grille LH | 14. Center ventilator grille LH | 15. Cluster lid D |
| 16. Center ventilator grille RH | 17. Side ventilator grille RH | 18. Front defroster grille RH |
| 19. Foot grille RH | 20. Foot duct RH | |

REAR

DUCT AND GRILLE

< REMOVAL AND INSTALLATION >



1. Rear floor duct 1

2. Rear floor duct 2 LH

3. Rear floor duct 2 RH


CENTER VENTILATOR GRILLE

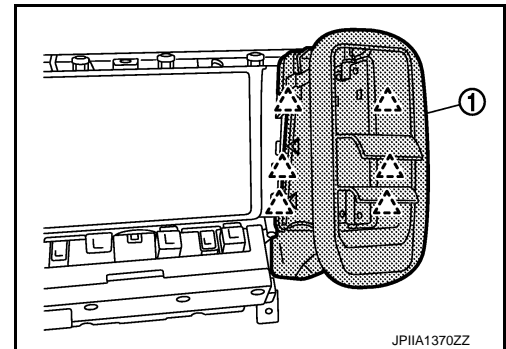
CENTER VENTILATOR GRILLE : Removal and Installation

INFOID:000000007470168

REMOVAL

1. Remove cluster lid D. Refer to [IP-12. "A/T MODELS : Exploded View"](#).
2. Disengage fixing pawls, and then remove center ventilator grille (1).

 : Pawl



INSTALLATION

Install in the reverse order of removal.


SIDE VENTILATOR GRILLE

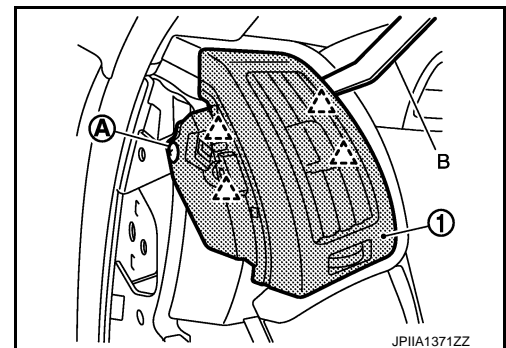
SIDE VENTILATOR GRILLE : Removal and Installation

INFOID:000000007470169

REMOVAL

1. Remove instrument side finisher. Refer to [IP-12. "A/T MODELS : Exploded View"](#).
2. Remove fixing screw (A).
3. Disengage fixing pawls using a remover tool (B), and then remove side ventilator grille (1).

 : Pawl



DUCT AND GRILLE

< REMOVAL AND INSTALLATION >

INSTALLATION

Install in the reverse order of removal.

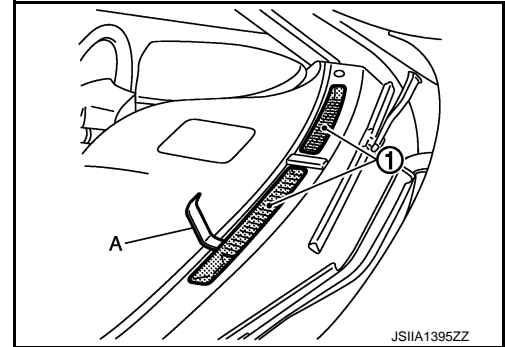
FRONT DEFROSTER GRILLE

FRONT DEFROSTER GRILLE : Removal and Installation

INFOID:000000007470170

REMOVAL

Remove front defroster grilles (1), using a remover tool (A).



INSTALLATION

Install in the reverse order of removal.

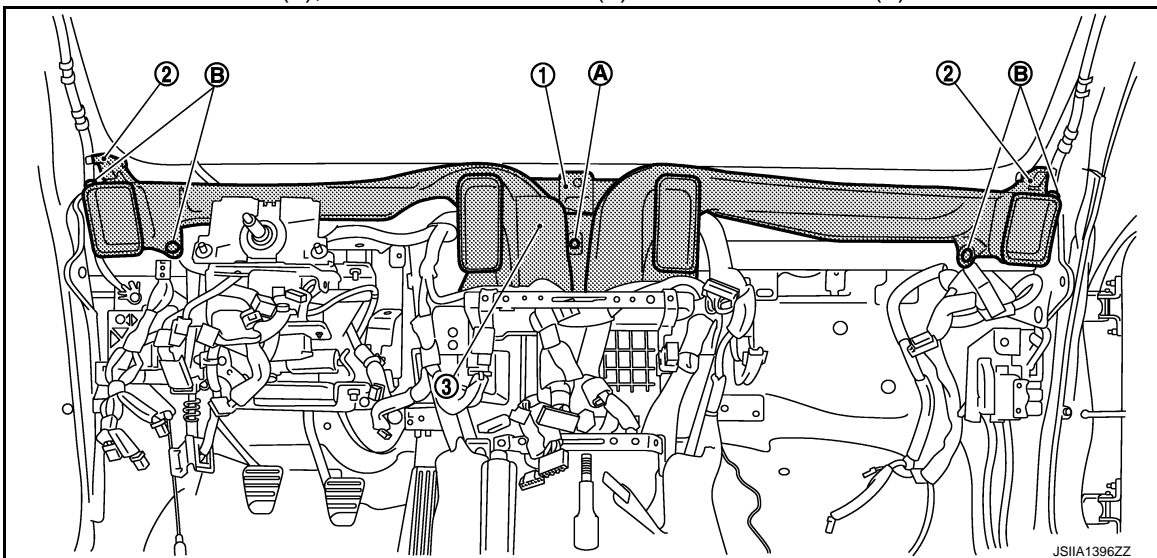
FRONT DEFROSTER NOZZLE, SIDE DEFROSTER NOZZLE AND VENTILATOR DUCT

FRONT DEFROSTER NOZZLE, SIDE DEFROSTER NOZZLE AND VENTILATOR DUCT : Removal and Installation

INFOID:000000007470171

REMOVAL

1. Remove instrument panel assembly. Refer to [IP-12. "A/T MODELS : Exploded View"](#).
2. Remove fixing screw (A) and fixing clips (B).
3. Remove defroster nozzle (1), side defroster nozzle (2) and ventilator duct (3).



INSTALLATION

Install in the reverse order of removal.

SIDE DEFROSTER DUCT

SIDE DEFROSTER DUCT : Removal and Installation

INFOID:000000007470172

REMOVAL

Remove front pillar garnish. Refer to [INT-15. "Exploded View"](#).

A
B
C
D
E
F
G
H
VTL
J
K
L
M
N
O
P

DUCT AND GRILLE

< REMOVAL AND INSTALLATION >

INSTALLATION

Install in the reverse order of removal.

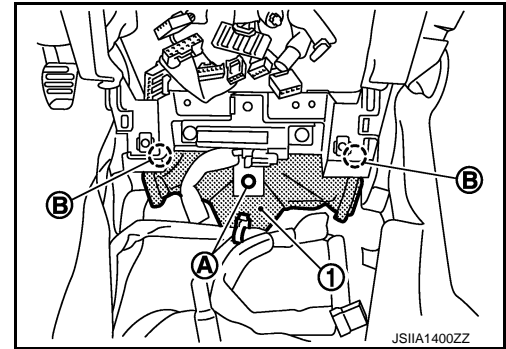
REAR FLOOR DUCT 1

REAR FLOOR DUCT 1 : Removal and Installation

INFOID:000000007470173

REMOVAL

1. Remove center console assembly. Refer to [IP-35, "A/T MODELS : Exploded View"](#).
2. Remove instrument side panel RH. Refer to [IP-12, "A/T MODELS : Exploded View"](#).
3. Remove AV control unit. Refer to the following.
 - Refer to [AV-83, "Exploded View"](#). (BASE AUDIO WITHOUT RAER VIEW CAMERA)
 - Refer to [AV-185, "Exploded View"](#). (BASE AUDIO WITH RAER VIEW CAMERA)
 - Refer to [AV-301, "Exploded View"](#). (BOSE AUDIO WITHOUT NAVIGATION)
 - Refer to [AV-442, "Exploded View"](#). (BOSE AUDIO WITH NAVIGATION)
4. Remove fixing clips (A) and (B).
5. Peel back floor carpet to a point where rear floor duct 1 (1) is visible.



6. Remove rear floor duct 1 to rightward.

INSTALLATION

Install in the reverse order of removal.

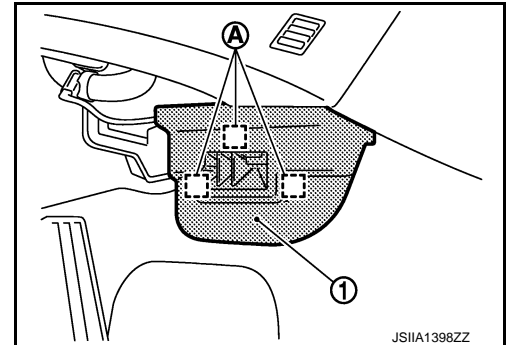
FOOT GRILLE

FOOT GRILLE : Removal and Installation

INFOID:000000007470174

REMOVAL

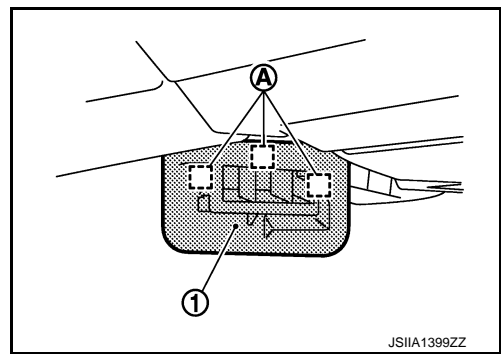
1. Remove fixing metal clips (A), and then remove foot grille LH (1).



DUCT AND GRILLE

< REMOVAL AND INSTALLATION >

2. Remove fixing metal clips (A), and then remove foot grille RH (1).



INSTALLATION

Install in the reverse order of removal.

HEATER DUCT

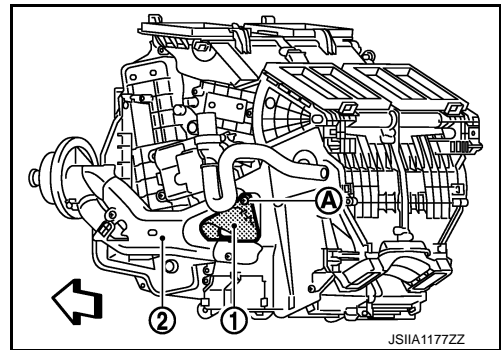
HEATER DUCT : Removal and Installation

INFOID:0000000007470175

REMOVAL

Remove fixing screw (A), and then remove heater duct (1) from heater & cooling unit assembly (2).

← : Vehicle front



INSTALLATION

Install in the reverse order of removal.

FOOT DUCT

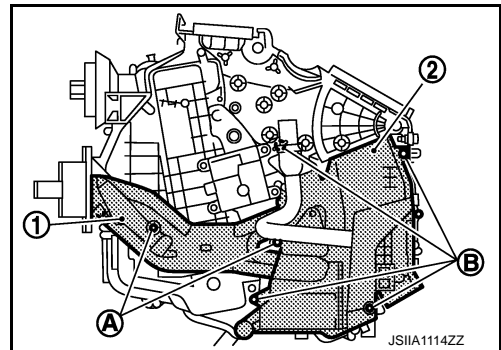
FOOT DUCT : Removal and Installation

INFOID:0000000007470176

REMOVAL

Driver Side

1. Remove heater & cooling unit assembly. Refer to [HA-49, "Exploded View"](#).
2. Remove fixing screws (A), and then remove heater pipe cover (1).
3. Remove fixing screws (B), and then remove foot duct LH (2).



Passenger Side

1. Set the temperature at 18°C (64°F).

CAUTION:

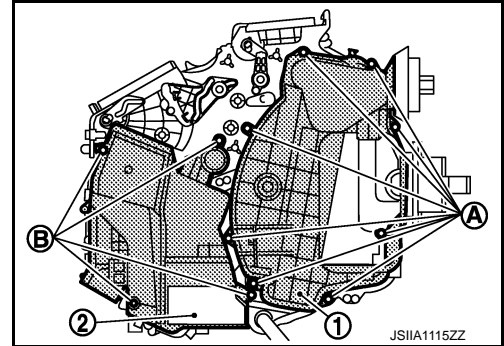
The angle may be out, when installing the air mix door motor to the air mix door, unless the above procedure is performed.

2. Disconnect the battery cable from the negative terminal.

DUCT AND GRILLE

< REMOVAL AND INSTALLATION >

3. Remove heater & cooling unit assembly. Refer to [HA-49. "Exploded View"](#).
4. Remove air mix door motor. Refer to [HAC-160. "Exploded View"](#). (Passenger side)
5. Remove mode door motor and links. Refer to [HAC-160. "Exploded View"](#).
6. Remove fixing screws (A), and then remove evaporator cover (1).
7. Remove fixing screws (B), and then remove foot duct RH (2).



INSTALLATION

Install in the reverse order of removal.

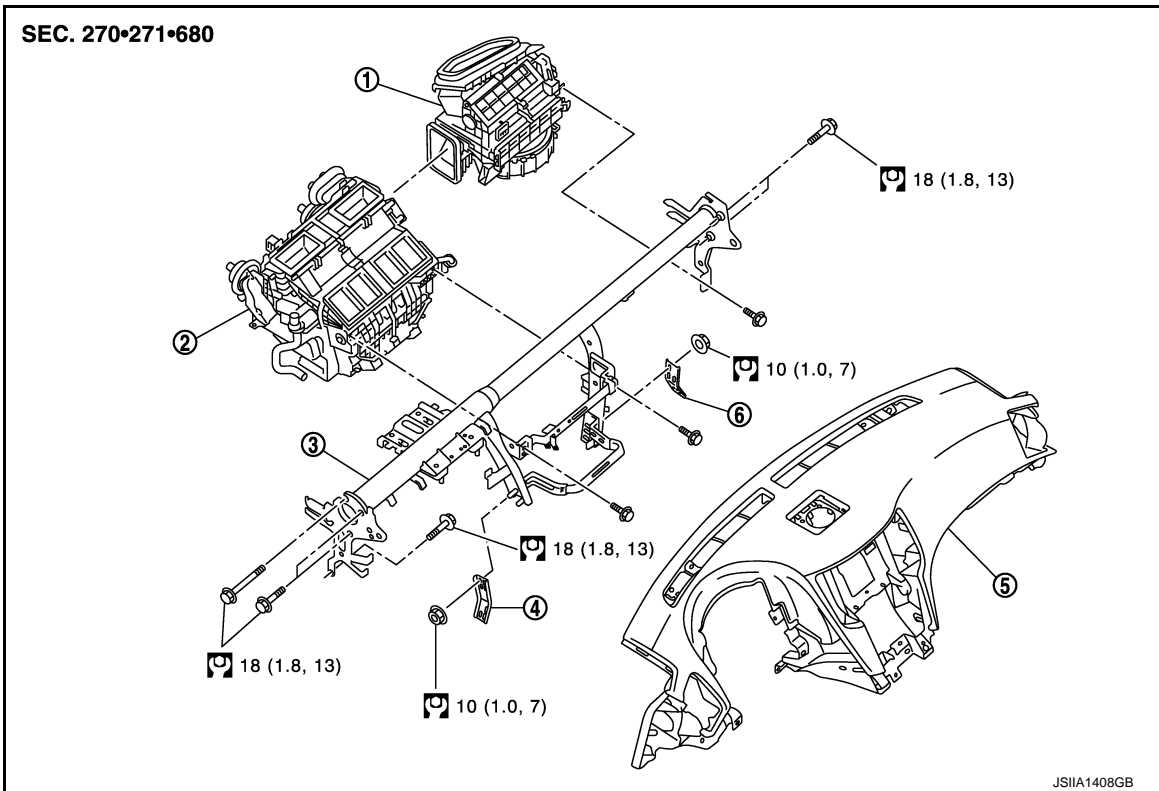
BLOWER UNIT

< REMOVAL AND INSTALLATION >

BLOWER UNIT

Exploded View

INFOID:000000007470177



- | | | |
|-----------------------|-----------------------------------|-----------------------|
| 1. Blower unit | 2. Heater & cooling unit assembly | 3. Steering member |
| 4. Instrument stay LH | 5. Instrument panel assembly | 6. Instrument stay RH |

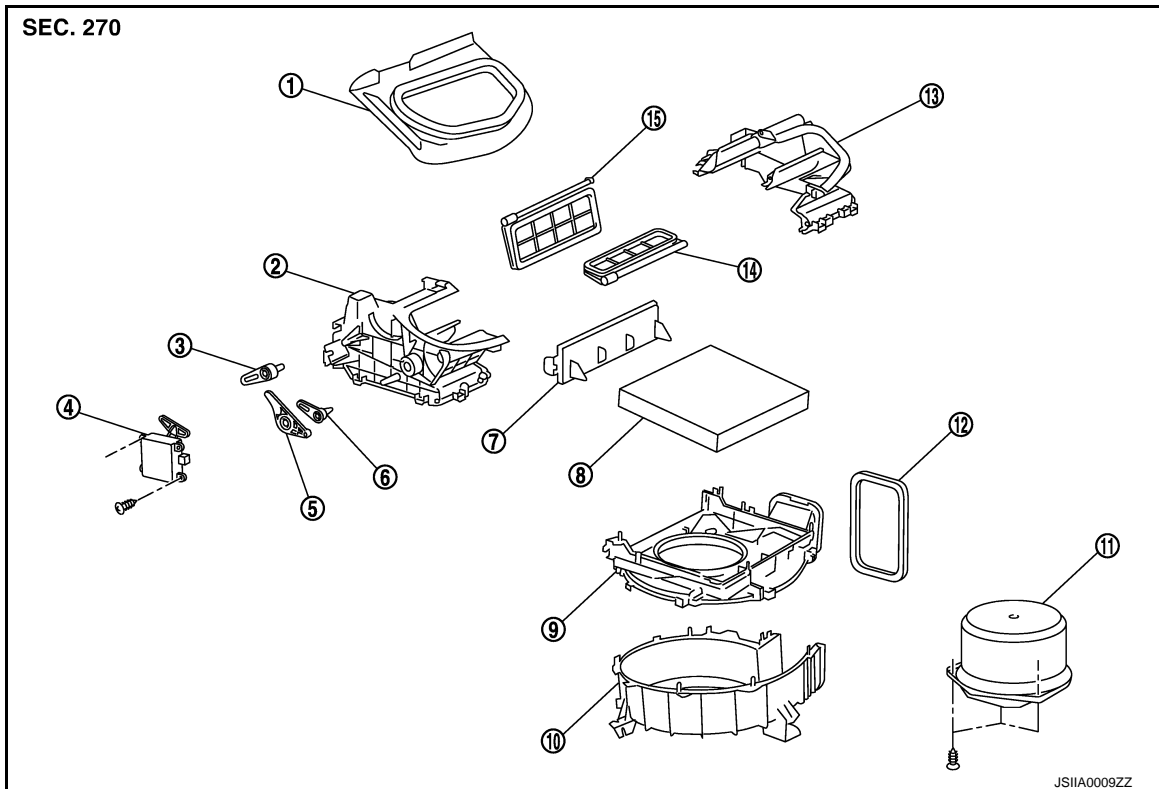
Refer to [GI-4. "Components"](#) for symbols in the figure.

DISASSEMBLY

A
B
C
D
E
F
G
H
VTL
J
K
L
M
N
O
P

BLOWER UNIT

< REMOVAL AND INSTALLATION >



- | | | |
|-----------------------|---------------------------|------------------------|
| 1. Adapter | 2. Intake box RH | 3. Intake door lever 2 |
| 4. Intake door motor | 5. Intake door link | 6. Intake door lever 1 |
| 7. Filter cover | 8. In-cabin microfilter | 9. Intake upper case |
| 10. Intake lower case | 11. Blower motor assembly | 12. Seal |
| 13. Intake box LH | 14. Intake door 1 | 15. Intake door 2 |

BLOWER UNIT

BLOWER UNIT : Removal and Installation

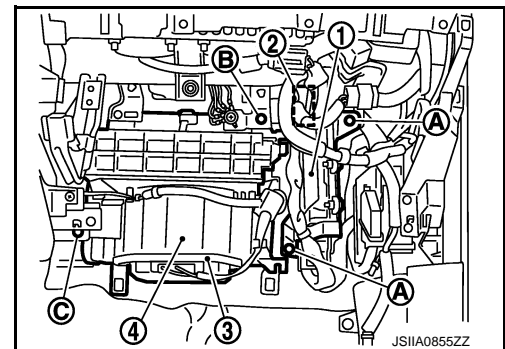
INFOID:000000007470178

REMOVAL

1. Remove instrument lower panel RH. Refer to [IP-12. "A/T MODELS : Exploded View"](#).
2. Disconnect ECM (1) connectors.
3. Remove mounting nuts (A), and then remove ECM with bracket attached.
4. Remove power steering control unit (WITHOUT 4WAS). Refer to [STC-22. "Exploded View"](#).
5. Disconnect intake door motor (2) connector and blower motor (3) connector.
6. Remove mounting bolt (B) and fixing screw (C), and then blower unit (4).

CAUTION:

Move blower unit rightward, and remove locating pin (1 part) and joint. Then remove blower unit downward.



INSTALLATION

Note the following item, and then install in the reverse order of removal.

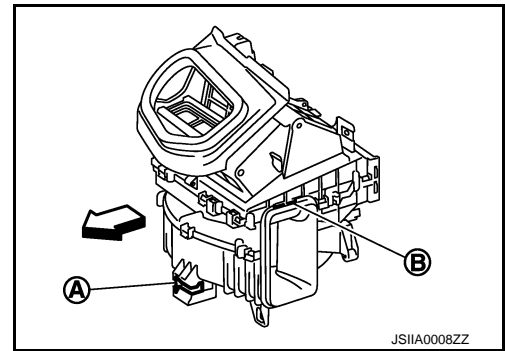
CAUTION:

Check locating pin (A) and joint (B) are securely inserted.

BLOWER UNIT

< REMOVAL AND INSTALLATION >

← : Vehicle front



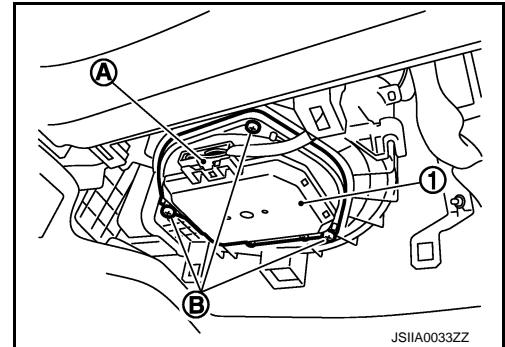
BLOWER MOTOR

BLOWER MOTOR : Removal and Installation

INFOID:000000007470179

REMOVAL

1. Remove instrument lower cover. Refer to [IP-12. "A/T MODELS : Exploded View"](#).
2. Disconnect blower motor connector (A).
3. Remove fixing screws (B), and then remove blower motor assembly (1).



INSTALLATION

Install in the reverse order of removal.

A
B
C
D
E
F
G
H
VTL
J
K
L
M
N
O
P