

SECTION **PG**

**POWER SUPPLY, GROUND & CIRCUIT ELEMENTS**

**CONTENTS**

<b>POWER SUPPLY &amp; GROUND CIRCUIT</b>		
<b>BASIC INSPECTION</b> .....	3	
<b>BATTERY</b> .....	3	
How to Handle Battery .....	3	
Work Flow .....	5	
<b>DTC/CIRCUIT DIAGNOSIS</b> .....	6	
<b>POWER SUPPLY ROUTING CIRCUIT</b> .....	6	
Wiring Diagram - BATTERY POWER SUPPLY - .....	6	
Wiring Diagram - BATTERY POWER SUPPLY		
FUSIBLE LINK No. K - .....	16	
Wiring Diagram - BATTERY POWER SUPPLY		
FUSE No. 6 - .....	20	
Wiring Diagram - BATTERY POWER SUPPLY		
FUSE No. 7 - .....	23	
Wiring Diagram - BATTERY POWER SUPPLY		
FUSE No. 9 - .....	25	
Wiring Diagram - BATTERY POWER SUPPLY		
FUSE No. 10 - .....	28	
Wiring Diagram - BATTERY POWER SUPPLY		
FUSE No. 11 - .....	32	
Wiring Diagram - BATTERY POWER SUPPLY		
FUSE No. 34 - .....	35	
Wiring Diagram - BATTERY POWER SUPPLY		
FUSE No. 50 - .....	39	
Wiring Diagram - BATTERY POWER SUPPLY		
FUSE No. 53 - .....	46	
Wiring Diagram - ACCESSORY POWER SUPPLY - .....	53	
Wiring Diagram - ACCESSORY POWER SUPPLY FUSE No. 19 - .....	57	
Wiring Diagram - IGNITION POWER SUPPLY - .....	61	
Wiring Diagram - IGNITION POWER SUPPLY		
FUSE No. 3 - .....	75	
Wiring Diagram - IGNITION POWER SUPPLY		
FUSE No. 4 - .....	83	
Wiring Diagram - IGNITION POWER SUPPLY		
FUSE No. 44 - .....	85	
Wiring Diagram - IGNITION POWER SUPPLY		
FUSE No. 45 - .....	89	
Fuse .....	93	
Fusible Link .....	93	
Circuit Breaker .....	93	
<b>HARNES LAYOUT</b> .....	94	
How To Read Harness Layout .....	94	
Outline .....	95	
Main Harness .....	96	
Engine Room Harness .....	98	
Engine Control Harness .....	100	
Body Harness .....	102	
Body No. 2 Harness .....	103	
Room Lamp Harness .....	104	
Front Door Harness (LH Side) .....	105	
Front Door Harness (RH Side) .....	106	
Rear Door Harness (LH Side) .....	107	
Rear Door Harness (RH Side) .....	108	
<b>HARNES CONNECTOR</b> .....	109	
Description .....	109	
<b>STANDARDIZED RELAY</b> .....	112	
Description .....	112	
<b>FUSE BLOCK - JUNCTION BOX (J/B)</b> .....	114	
Fuse, Connector and Terminal Arrangement .....	114	
<b>FUSE, FUSIBLE LINK AND RELAY BOX</b> .....	115	
Fuse and Fusible Link Arrangement .....	115	
<b>IPDM E/R (INTELLIGENT POWER DISTRIBUTION MODULE ENGINE ROOM)</b> .....	116	
Fuse, Connector and Terminal Arrangement .....	116	
<b>PRECAUTION</b> .....	117	
<b>PRECAUTIONS</b> .....	117	
Precaution for Supplemental Restraint System (SRS) "AIR BAG" and "SEAT BELT PRE-TENSIONER" .....	117	

A  
B  
C  
D  
E  
F  
G  
H  
I  
J  
K  
L  
PG  
N  
O  
P

Precaution for Procedure without Cowl Top Cover.....	117	<b>BATTERY TERMINAL WITH FUSIBLE LINK..</b>	121
<b>PREPARATION .....</b>	<b>118</b>	Exploded View .....	121
<b>PREPARATION .....</b>	<b>118</b>	Removal and Installation .....	121
Special Service Tools .....	118	<b>SERVICE DATA AND SPECIFICATIONS</b>	
<b>REMOVAL AND INSTALLATION .....</b>	<b>119</b>	<b>(SDS) .....</b>	<b>122</b>
<b>BATTERY .....</b>	<b>119</b>	<b>SERVICE DATA AND SPECIFICATIONS</b>	
Exploded View .....	119	<b>(SDS) .....</b>	<b>122</b>
Removal and Installation .....	119	Battery .....	122

## BASIC INSPECTION

### BATTERY

#### How to Handle Battery

INFOID:000000005623684

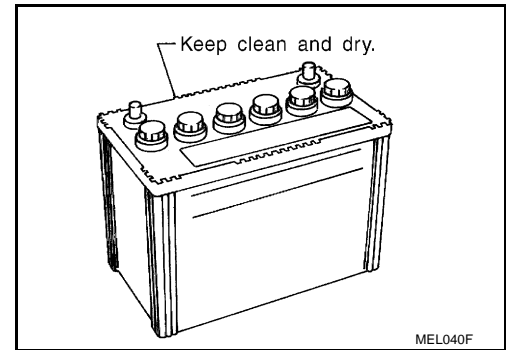
#### CAUTION:

- If it becomes necessary to start the engine with a booster battery and jumper cables, use a 12-volt booster battery.
- After connecting battery cables, ensure that they are tightly clamped to battery terminals for good contact.
- Never add distilled water through the hole used to check specific gravity.

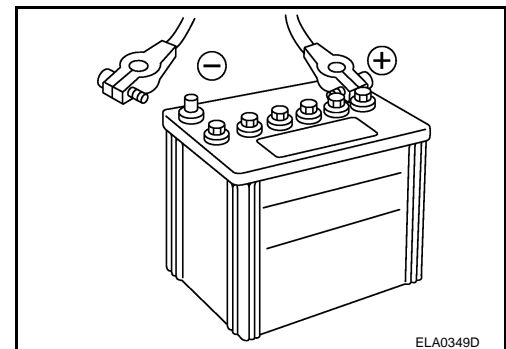
#### METHODS OF PREVENTING OVER-DISCHARGE

The following precautions must be taken to prevent over-discharging a battery.

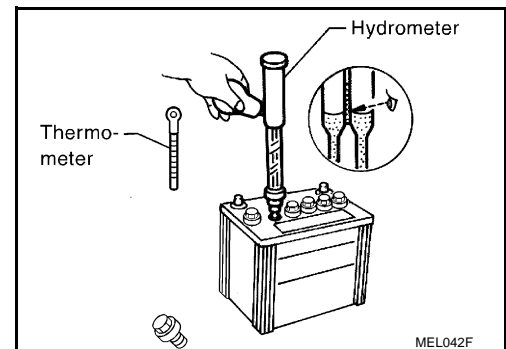
- The battery surface (particularly its top) should always be kept clean and dry.
- The terminal connections should be clean and tight.
- At every routine maintenance, check the electrolyte level. This also applies to batteries designated as "low maintenance" and "maintenance-free".



- When the vehicle is not going to be used over a long period of time, disconnect the battery cable from the negative terminal. (If the vehicle has an extended storage switch, turn it off.)



- Check the charge condition of the battery. Periodically check the specific gravity of the electrolyte. Keep a close check on charge condition to prevent over-discharge.



#### CHECKING ELECTROLYTE LEVEL

#### WARNING:

Never allow battery fluid to come in contact with skin, eyes, fabrics, or painted surfaces. After touching a battery, never touch or rub your eyes until you have thoroughly washed your hands. If acid contacts eyes, skin or clothing, immediately flush with water for 15 minutes and seek medical attention.

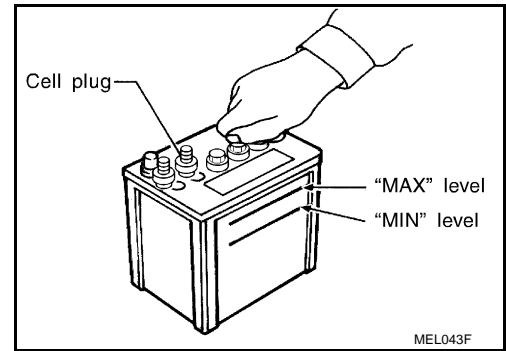
A  
B  
C  
D  
E  
F  
G  
H  
I  
J  
K  
L  
PG  
N  
O  
P

# BATTERY

## [POWER SUPPLY & GROUND CIRCUIT]

### < BASIC INSPECTION >

- Remove the cell plug using a suitable tool.
- Add distilled water up to the MAX level.

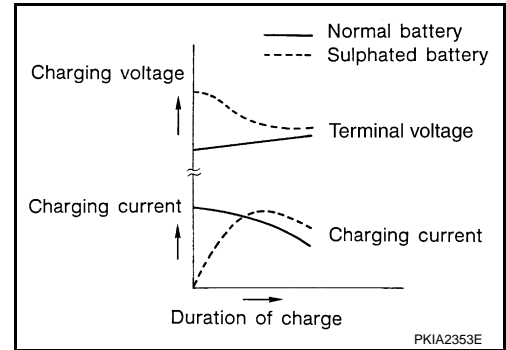


### Sulphation

**A battery will be completely discharged if it is left unattended for a long time and the specific gravity will become less than 1.100. This may result in sulphation on the cell plates.**

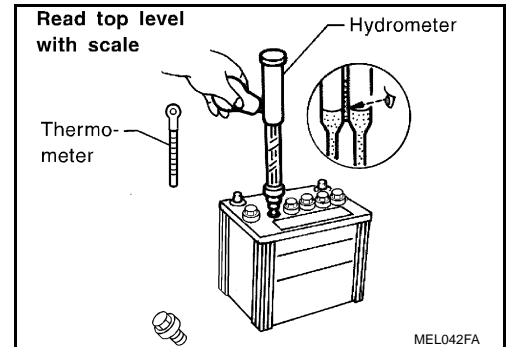
**To determine if a battery has been “sulphated”, note its voltage and current when charging it. As shown in the figure, less current and higher voltage are observed in the initial stage of charging sulphated batteries.**

**A sulphated battery may sometimes be brought back into service by means of a long, slow charge, 12 hours or more, followed by a battery capacity test.**



### SPECIFIC GRAVITY CHECK

1. Read hydrometer and thermometer indications at eye level.
2. Use the chart below to correct your hydrometer reading according to electrolyte temperature.



### Hydrometer Temperature Correction

Battery electrolyte temperature [°C (°F)]	Add to specific gravity reading
71 (160)	0.032
66 (150)	0.028
60 (140)	0.024
54 (130)	0.020
49 (120)	0.016
43 (110)	0.012
38 (100)	0.008
32 (90)	0.004
27 (80)	0
21 (70)	-0.004
16 (60)	-0.008
10 (50)	-0.012
4 (40)	-0.016
-1 (30)	-0.020
-7 (20)	-0.024

# BATTERY

## < BASIC INSPECTION >

## [POWER SUPPLY & GROUND CIRCUIT]

Battery electrolyte temperature [°C (°F)]	Add to specific gravity reading
-12 (10)	-0.028
-18 (0)	-0.032

Corrected specific gravity	Approximate charge condition
1.260 - 1.280	Fully charged
1.230 - 1.250	3/4 charged
1.200 - 1.220	1/2 charged
1.170 - 1.190	1/4 charged
1.140 - 1.160	Almost discharged
1.110 - 1.130	Completely discharged

### CHARGING THE BATTERY

#### CAUTION:

- Never “quick charge” a fully discharged battery.
- Keep the battery away from open flame while it is being charged.
- When connecting the charger, connect the leads first, then turn on the charger. Never turn on the charger first, as this may cause a spark.
- If battery electrolyte temperature rises above 55 °C (131 °F), stop charging. Always charge battery at a temperature below 55 °C (131 °F).

#### Charging Rates

Amps	Time
50	1 hour
25	2 hours
10	5 hours
5	10 hours

Do not charge at more than 50 ampere rate.

#### NOTE:

The ammeter reading on your battery charger will automatically decrease as the battery charges. This indicates that the voltage of the battery is increasing normally as the state of charge improves. The charging amps indicated above refer to initial charge rate.

- If, after charging, the specific gravity of any two cells varies more than 0.050, the battery should be replaced.

### Work Flow

INFOID:000000005623685

### TROUBLE DIAGNOSIS WITH BATTERY SERVICE CENTER

For battery testing, use Battery Service Center (J-48087). For details and operating instructions, refer to Technical Service Bulletin and/or Battery Service Center User Guide.

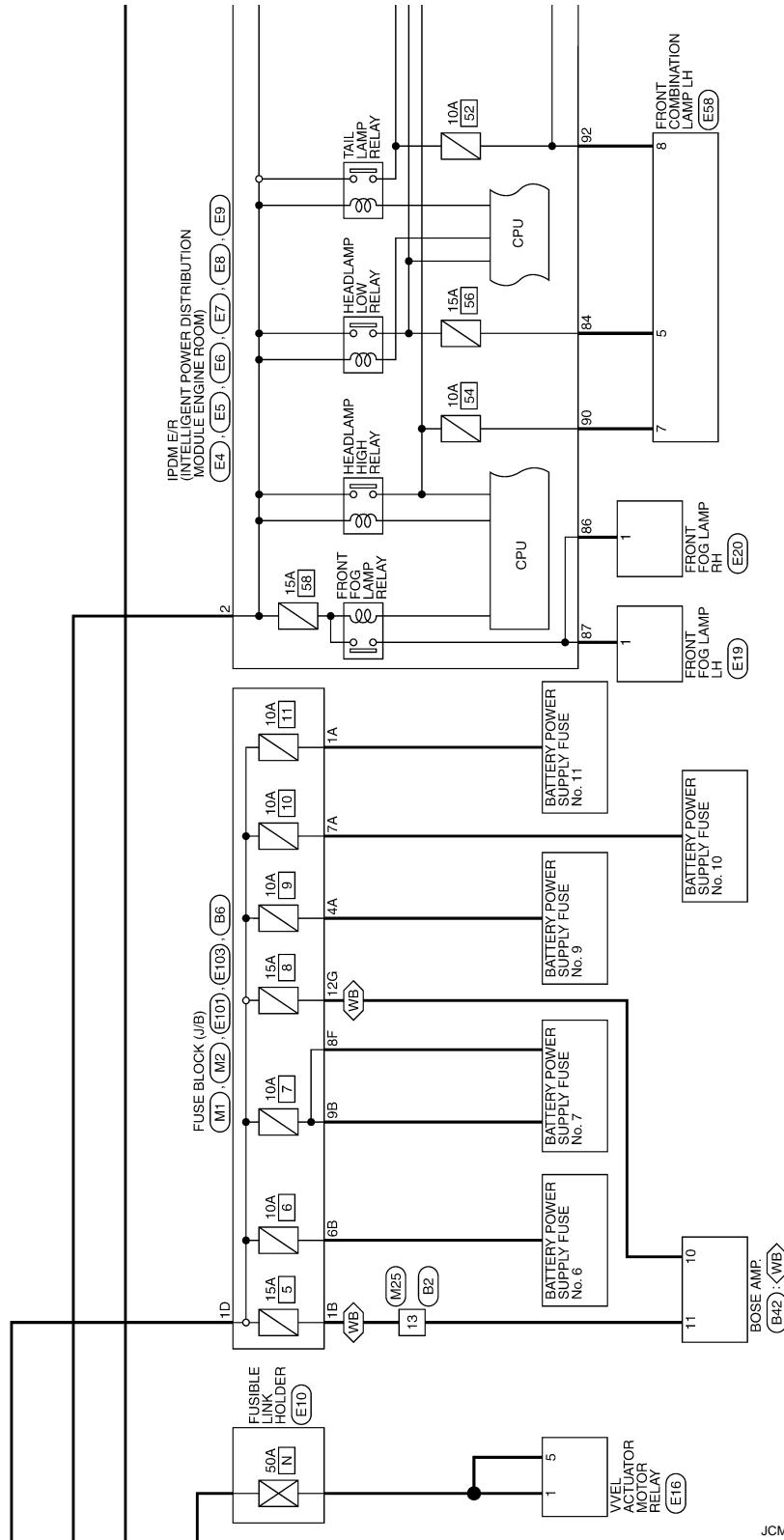


# POWER SUPPLY ROUTING CIRCUIT

< DTC/CIRCUIT DIAGNOSIS >

[POWER SUPPLY & GROUND CIRCUIT]

◀WB▶ : With BOSE system



JCMWM5809G1

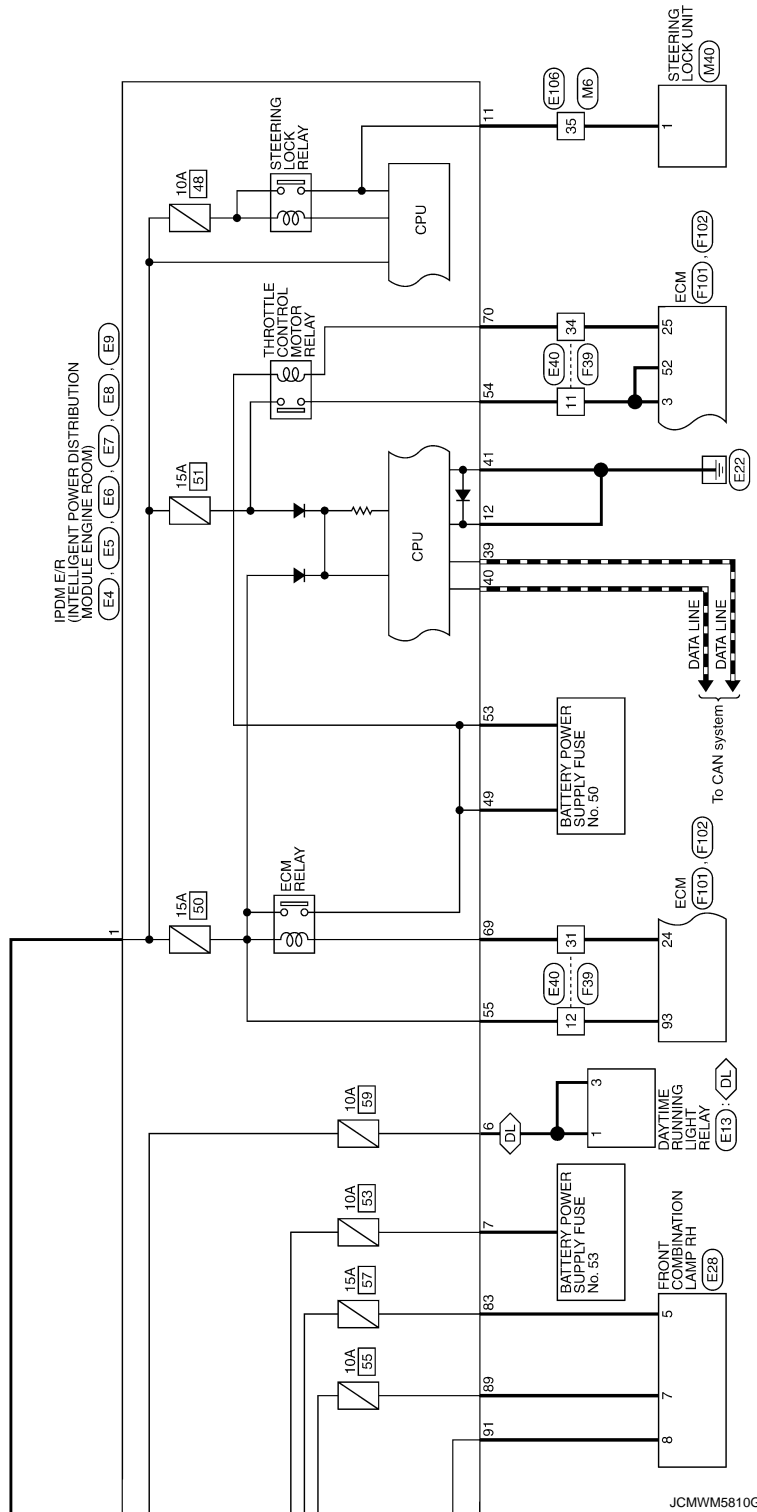
A  
B  
C  
D  
E  
F  
G  
H  
I  
J  
K  
L  
PG  
N  
O  
P

# POWER SUPPLY ROUTING CIRCUIT

< DTC/CIRCUIT DIAGNOSIS >

[POWER SUPPLY & GROUND CIRCUIT]

DL: With daytime running light system



JCMWM5810G



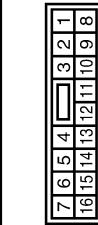
# POWER SUPPLY ROUTING CIRCUIT

## [POWER SUPPLY & GROUND CIRCUIT]

< DTC/CIRCUIT DIAGNOSIS >

### BATTERY POWER SUPPLY

Connector No.	B2
Connector Name	WIRE TO WIRE
Connector Type	NS16FW-CS



Terminal No.	Color of Wire	Signal Name [Specification]
1	L	-
2	W	-
3	V	-
4	LG	-
5	L	-
6	BG	-
7	B	-
8	Y	-
9	LG	-
10	P	-
11	GR	-
12	R	-
13	G	-
14	W	-
15	W	-
16	W	-

Connector No.	B6
Connector Name	FUSE BLOCK (J/B)
Connector Type	NS12FBR-CS



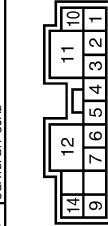
Terminal No.	Color of Wire	Signal Name [Specification]
4G	R	-
5G	LG	-
10G	W	-
11G	W	-
12G	Y	-

Connector No.	B9
Connector Name	WIRE TO WIRE
Connector Type	M06FW-LC



Terminal No.	Color of Wire	Signal Name [Specification]
1	R	-
2	P	-
3	GR	-
4	LG	-
5	BR	-
6	BG	-

Connector No.	B42
Connector Name	BOSE AMP.
Connector Type	SGA12FBR-SJA2



Terminal No.	Color of Wire	Signal Name [Specification]
1	L	SOUND SIGNAL FRONT LH (+)
2	W	SOUND SIGNAL FRONT LH (-)
3	LG	SOUND SIGNAL FRONT RH (+)
4	V	SOUND SIGNAL FRONT RH (-)
5	G	SOUND SIGNAL DOOR WOOFER RH (+)
6	R	SOUND SIGNAL DOOR WOOFER RH (-)
7	B	GND
8	W	SOUND SIGNAL FRONT DOOR WOOFER LH (-)
9	Y	BATTERY
10	Y	BATTERY
11	GR	GND
12	B	GND
13	B	SOUND SIGNAL FRONT DOOR WOOFER LH (+)
14	B	SOUND SIGNAL FRONT DOOR WOOFER LH (+)

Connector No.	B53
Connector Name	4WAS REAR MOTOR RELAY
Connector Type	MS22FL-M2



Terminal No.	Color of Wire	Signal Name [Specification]
1	SB	-
2	B	-
3	R	-
4	L	-
5	L	-

Connector No.	E1
Connector Name	FUSIBLE LINK HOLDER
Connector Type	L02FBR-MC



Terminal No.	Color of Wire	Signal Name [Specification]
1	G	-
2	W	-

Connector No.	E2
Connector Name	FUSIBLE LINK HOLDER
Connector Type	L02FY-MC



Terminal No.	Color of Wire	Signal Name [Specification]
4	W	-
3	W	-

3	L	-
4	R	-

Connector No.	E4
Connector Name	IPMA E/P INTELLIGENT POWER DISTRIBUTION MODULE (POWER FUSION)
Connector Type	L02FBR-MC



Terminal No.	Color of Wire	Signal Name [Specification]
1	W	-
2	L	-

A  
B  
C  
D  
E  
F  
G  
H  
I  
J  
K  
L  
PG  
N  
O  
P

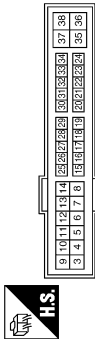
# POWER SUPPLY ROUTING CIRCUIT

< DTC/CIRCUIT DIAGNOSIS >

[POWER SUPPLY & GROUND CIRCUIT]

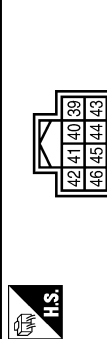
## BATTERY POWER SUPPLY

Connector No.	E5
Connector Name	SPARE R INTELLIGENT POWER DISTRIBUTION MODULE (ENGINE ROOM)
Connector Type	TH20FW-CS12-M4-1V



Terminal No.	Color of Wire	Signal Name [Specification]
4	V	-
5	L	-
6	SB	-
7	P	-
11	W	-
12	B/W	-
13	Y	-
16	LG	-
19	R	-
25	G	-
26	Y	-
27	BG	-
28	L	-
30	GR	-
32	V	-
33	P	-
36	G	-

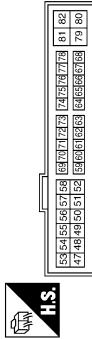
Connector No.	E6
Connector Name	SPARE R INTELLIGENT POWER DISTRIBUTION MODULE (ENGINE ROOM)
Connector Type	TH08FW-NH



Terminal No.	Color of Wire	Signal Name [Specification]
39	P	-
40	L	-
41	B/W	-
42	GR	-
43	G	-

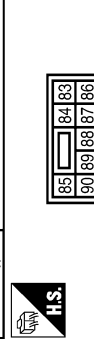
44	LG	-
45	V	-
46	SB	-

Connector No.	E7
Connector Name	SPARE R INTELLIGENT POWER DISTRIBUTION MODULE (ENGINE ROOM)
Connector Type	TH20FW-CS12-M4



Terminal No.	Color of Wire	Signal Name [Specification]
48	L	-
49	BG	-
51	Y	-
53	W	-
54	P	-
55	SB	-
56	BR	-
57	G	-
58	GR	-
69	BR	-
70	BG	-
73	P	-
74	G	-
75	SB	-
76	Y	-
77	R	-
80	W	-

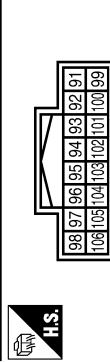
Connector No.	E8
Connector Name	SPARE R INTELLIGENT POWER DISTRIBUTION MODULE (ENGINE ROOM)
Connector Type	NS06FW-CS



Terminal No.	Color of Wire	Signal Name [Specification]
-	-	-

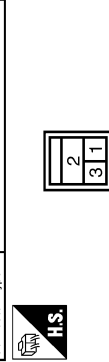
83	R	-
84	V	-
86	W	-
87	L	-
88	G	-
89	BR	-
90	P	-

Connector No.	E9
Connector Name	SPARE R INTELLIGENT POWER DISTRIBUTION MODULE (ENGINE ROOM)
Connector Type	TH18FW-NH



Terminal No.	Color of Wire	Signal Name [Specification]
91	G	-
92	BG	-
97	V	-
104	LG	-
105	L	-

Connector No.	E11
Connector Name	HORN RELAY 1
Connector Type	-



Terminal No.	Color of Wire	Signal Name [Specification]
1	LG	-
2	SB	-
3	G	-

Connector No.	E13
Connector Name	DAYTIME RUNNING LIGHT RELAY
Connector Type	MS02FL-M2-LC



Terminal No.	Color of Wire	Signal Name [Specification]
1	SB	-
2	L	-
3	SB	-
5	BG	-

Connector No.	E16
Connector Name	VVEL ACTUATOR MOTOR RELAY
Connector Type	Z4347 9F900



Terminal No.	Color of Wire	Signal Name [Specification]
1	Y	-
2	SB	-
3	W	-
5	SB	-

# POWER SUPPLY ROUTING CIRCUIT

< DTC/CIRCUIT DIAGNOSIS >

[POWER SUPPLY & GROUND CIRCUIT]

## BATTERY POWER SUPPLY

Connector No.	E17
Connector Name	COOLING FAN RELAY
Connector Type	24347 9F300



Terminal No.	Color of Wire	Signal Name [Specification]
1	G	-
2	GR	-
3	BR	-
5	R	-

Connector No.	E18
Connector Name	HORN RELAY 2
Connector Type	M03FW-R-LC



Terminal No.	Color of Wire	Signal Name [Specification]
1	P	-
2	Y	-
3	V	-

Connector No.	E19
Connector Name	FRONT FOG LAMP LH
Connector Type	FH202FB



Terminal No.	Color of Wire	Signal Name [Specification]
1	L	-
2	B/W	-

Connector No.	E20
Connector Name	FRONT FOG LAMP RH
Connector Type	FH202FB



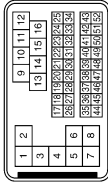
Terminal No.	Color of Wire	Signal Name [Specification]
1	W	-
2	B/W	-

Connector No.	E23
Connector Name	FRONT COMBINATION LAMP RH
Connector Type	RS02FE-PR



Terminal No.	Color of Wire	Signal Name [Specification]
3	B	-
4	B/W	-
5	R	-
6	V	-
7	BR	-
8	G	-

Connector No.	E40
Connector Name	WIRE TO WIRE
Connector Type	SA438MB-RS3-SH23



Terminal No.	Color of Wire	Signal Name [Specification]
1	L/Y	-
2	SHIELD	-
3	L/B	-
4	SHIELD	-
5	BR	-
7	G	-
8	W	-
9	W	-
10	Y	-
11	P	-
12	SB	-
13	L	-
14	G	-
15	BG	-
16	BR	-
17	P	-
18	Y	-
19	BG	-
20	B	-
21	SB	-
22	W	-
23	L	-
24	GR	-
25	V	-
27	GR	-
28	V	-
29	P	-
30	R	-
31	BR	-
32	Y	-
33	G	-
34	BG	-
37	SHIELD	-
38	L	-
39	P	-
40	R	-
41	W	-
42	LG	-

43	G	-
45	GR	-
46	SHIELD	-
47	W	-
48	BR	-
49	G	-
50	B	-
51	SB	-
52	R	-

Connector No.	E41
Connector Name	RES-ACTUATOR AND ELECTRIC UNIT (CONTROL UNIT)
Connector Type	BAA42FB-AH24-LH



Terminal No.	Color of Wire	Signal Name [Specification]
1	B	GND
2	GR	UBMR
3	BG	UBVR
4	B	GND
5	Y	DS FL
6	BG	DP RL
7	BR	DP RR
9	B	DP FR
10	W	DS FR
11	V	DIAG-K
14	P	CAN-L
25	Y	BUS-L
26	LG	DP-FL
27	GR	DS RL
28	G	UZ
29	P	DS RR
30	SB	BLS
31	R	VDC OFF SW
35	L	CAN-H
45	B	BUS-H

A  
B  
C  
D  
E  
F  
G  
H  
I  
J  
K  
L  
PG  
N  
O  
P

# POWER SUPPLY ROUTING CIRCUIT

[POWER SUPPLY & GROUND CIRCUIT]

< DTC/CIRCUIT DIAGNOSIS >

## BATTERY POWER SUPPLY

Connector No.	E58
Connector Name	FRONT COMBINATION LAMP LH
Connector Type	RS08FB-PR



Terminal No.	Color of Wire	Signal Name [Specification]
3	B	-
4	B/W	-
5	V	-
6	GR	-
7	P	-
8	EG	-

Connector No.	E101
Connector Name	FUSE BLOCK (J/B)
Connector Type	L01FW-MC



Terminal No.	Color of Wire	Signal Name [Specification]
1D	R	-

Connector No.	E102
Connector Name	FUSE BLOCK (J/B)
Connector Type	M02FB-LC



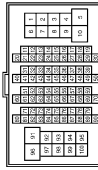
Terminal No.	Color of Wire	Signal Name [Specification]
1E	V	-

Connector No.	E103
Connector Name	FUSE BLOCK (J/B)
Connector Type	INS10FW-OS



Terminal No.	Color of Wire	Signal Name [Specification]
1F	SB	-
2F	W	-
4F	G	-
8F	BR	-
9F	P	-

Connector No.	E106
Connector Name	WIRE TO WIRE
Connector Type	TH80FW-CS16-TM4



Terminal No.	Color of Wire	Signal Name [Specification]
1	V	-
2	SB	-
3	BG	-
5	W	-
6	P	-
7	L	-
11	V	-
12	P	-
13	R	-
14	W	-
15	L	-

16	GR	-
17	SB	-
18	LG	-
21	G	-
31	L	-
32	BG	-
33	P	-
34	V	-
35	W	-
36	BG	-
37	G	-
38	R	-
40	R	-
41	LG	-
42	SB	-
43	G	-
44	LG	-
45	GR	-
46	BR	-
47	B	-
48	Y	-
49	V	-
50	R	-
51	SB	-
52	P	-
53	G	-
54	B	-
57	GR	-
58	V	-
80	R	-
81	P	-
82	G	-
83	V	-
84	L	-
85	W	-
86	GR	-
87	LG	-
88	L	-
89	BR	-
91	W	-
92	LG	-
93	GR	-
94	SB	-
95	GR	-
96	R	-
97	Y	-
98	SHIELD	-
99	L	-
100	P	-

Connector No.	E117
Connector Name	WIRE TO WIRE
Connector Type	M03BMW-LC



Terminal No.	Color of Wire	Signal Name [Specification]
1	L	-
2	Y	-
3	GR	-
4	P	-
5	BR	-
6	BG	-

Connector No.	E201
Connector Name	FUSIBLE LINK HOLDER
Connector Type	Z4340 79908



Terminal No.	Color of Wire	Signal Name [Specification]
5	B/Y	- [With A/T]
5	Y	- [With M/T]

# POWER SUPPLY ROUTING CIRCUIT

[POWER SUPPLY & GROUND CIRCUIT]

< DTC/CIRCUIT DIAGNOSIS >

## BATTERY POWER SUPPLY

Connector No.	E202
Connector Name	FUSIBLE LINK HOLDER
Connector Type	24340-79905



Terminal No.	Color of Wire	Signal Name [Specification]
6	R	-

Connector No.	E203
Connector Name	ALTERNATOR
Connector Type	24340-65F45



Terminal No.	Color of Wire	Signal Name [Specification]
1	R	B

Connector No.	E204
Connector Name	STARTER MOTOR
Connector Type	24348-51E61



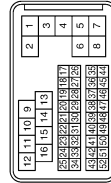
Terminal No.	Color of Wire	Signal Name [Specification]
2	B/Y	- [With A/T]
2	Y	- [With M/T]

Connector No.	F36
Connector Name	ALTERNATOR
Connector Type	H53CFB



Terminal No.	Color of Wire	Signal Name [Specification]
2	G	L
3	V	S
4	W	C

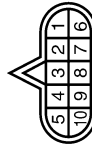
Connector No.	F39
Connector Name	WIRE TO WIRE
Connector Type	15AA36FB-F58-SH28



Terminal No.	Color of Wire	Signal Name [Specification]
1	L/Y	-
2	SHIELD	-
3	L/B	-
4	SHIELD	-
5	BR	-
7	G	-
8	W	-
9	W	-
10	G	-
11	R	-
12	P	-
13	L	-
14	LG	-
15	R	-
16	Y	-
17	W	-
18	LG	-
19	P	-
20	O	-

21	Y	-
22	G	-
23	V	-
24	LG	-
25	V	-
27	GR	-
28	BR	-
29	L	-
30	R	-
31	P	-
32	W	-
33	SB	-
34	O	-
37	SHIELD	-
38	W	-
39	Y	-
40	G	-
41	B	-
42	GR	-
43	R	-
45	O	-
46	SHIELD	-
47	W/L	-
48	LG	-
49	O/L	-
50	L/Y	-
51	W	-
52	L/G	-

Connector No.	F51
Connector Name	A/T ASSEMBLY
Connector Type	RK10FG-DG1



Terminal No.	Color of Wire	Signal Name [Specification]
1	Y	-
2	R	-
3	L	-
4	V	-
5	B	-
6	G	-
7	R	-
8	P	-

9	GR	-
10	B	-

A  
B  
C  
D  
E  
F  
G  
H  
I  
J  
K  
L  
PG  
N  
O  
P

# POWER SUPPLY ROUTING CIRCUIT

< DTC/CIRCUIT DIAGNOSIS >

[POWER SUPPLY & GROUND CIRCUIT]

## BATTERY POWER SUPPLY

Connector No.	F101
Connector Name	ECM
Connector Type	RH40B-RZ8-L-LH-Z

96	97	98	99	100	101	102	103	104	105	106	107	108	109	110	111	112	113	114	115	116
48	49	50	51	52	53	54	55	56	57	58	59	60	61	62	63	64	65	66	67	68



Terminal No.	Color of Wire	Signal Name [Specification]
1	W	AFH 1
2	G	MOTOR 1-B1
3	R	VMOT 1-B1
4	BR	MOTOR 2-B1
5	W	AFH 2
8	B	GND
11	GR	IGN#4
12	L	IGN#3
15	V	IGN#5
16	G	IGN#2
17	P	OZHR 1
18	W	CVTCH 1
19	SB	IGN#6
20	Y	IGN#1
21	GR	EVAP
22	R	FPR
24	P	SSOFF
25	O	MOTRLY 1-B1
28	BR	ABORT
29	G	CVTQ#2
30	Y	TPS 1-B1
31	R	TPS 1-B2
32	SB	OP#2 2
34	B	TPS 2-B1
35	W	TPS 2-B2
36	O	GND#MVPRES
37	W	POS
38	O	INTPRES
39	P	MVPRES
40	R	GND#TPS-B1
43	G	AVCC-TPS-B2
44	L	AVCC-TPS-B1
45	LG	AVCC 2/MVPRES
46	R	AVCC-POS
47	Y	GND-POS
48	B	GND#TPS-B2

Connector No.	F102
Connector Name	ECM
Connector Type	RH40B-RZ8-L-LH-Z

96	97	98	99	100	101	102	103	104	105	106	107	108	109	110	111	112	113	114	115	116
192	193	194	195	196	197	198	199	200	201	202	203	204	205	206	207	208	209	210	211	212



Terminal No.	Color of Wire	Signal Name [Specification]
49	GR	MOTOR Z-B2
50	V	MOTOR 1-B2
52	R	VMOT 1-B2
53	W	IGNSW
54	Y	ENG CAN-L1
55	LG	ENG CAN-H1
57	L	AF#1
59	O	PHASE#1
60	G	AVCC-PHS 1-E-PHS 1/PS
61	R	AF-1
63	L	PHASE#2
64	SR	AVCC-PHS E-PHS 2/OU
65	LG	AF-2
66	V	AF-2
67	P	TA1
68	LG	GND#OA 1/TA 1
69	W	KNK 2
71	Y	TW
72	SHIELD	GND#PANK
73	W	KNK 1
76	W	O2SR 1
77	SR	OA1*
78	G	TO
79	BR	O2#2
80	O	O2SR 2
81	R	INJ#3
82	V	INJ#6
84	B	GND#O2S-TW-TO
85	BR	INJ#2
86	W	INJ#5
87	Y	PSPRES
89	GR	INJ#1
90	O	INJ#4
91	SB	CURSEN
92	G	GND#PHASE#2
93	P	BATT
94	Y	GND#OA 2
95	G	GND#CURSEN

96	P	GND#PHASE#1/PS
----	---	----------------

Connector No.	F108
Connector Name	AWD CONTROL UNIT
Connector Type	TH16FW-NH



1	2	3	4	5	6	7	8
9	10	11	12	13	14	15	16

Terminal No.	Color of Wire	Signal Name [Specification]
1	BR	AWD SOL (+)
2	Y	AWD SOL (-)
3	W	OIL TEMP (-)
7	G	IGN
8	L	CAN-H
9	O	AWD SOL BATT
10	B	GND
11	B	GND
13	LG	OIL TEMP (+)
15	Y	VB
16	P	CAN-L

Connector No.	F157
Connector Name	TCM (TRANSMISSION CONTROL MODULE)
Connector Type	SPT0FG



1	2	3	4	5
6	7	8	9	10

Terminal No.	Color of Wire	Signal Name [Specification]
1	W	VIGN
2	B	BATT
3	R	CAN-H
4	O	K-LINE
5	G	GND
6	GR	VIGN
7	L	REV LAMP RLY
8	BR	CAN-L

9	Y	STARTER RLY
10	W/B	GND

Connector No.	MI
Connector Name	FUSE BLOCK (J/B)
Connector Type	NS30FW-M2



3A	2A	1A
8A	7A	6A
5A	4A	3A

Terminal No.	Color of Wire	Signal Name [Specification]
1A	V	-
2A	G	-
3A	L	-
4A	P	-
5A	L	-
6A	Y	-
7A	R	-
8A	L	-

Connector No.	IM2
Connector Name	FUSE BLOCK (J/B)
Connector Type	NS10FW-CS



4B	3B	2B	1B
10B	9B	8B	7B
6B	5B	4B	3B

Terminal No.	Color of Wire	Signal Name [Specification]
1B	SB	-
3B	P	-
4B	G	-
5B	BG	-
6B	Y	-
7B	P	-
8B	R	-
9B	SB	-

# POWER SUPPLY ROUTING CIRCUIT

< DTC/CIRCUIT DIAGNOSIS >

[POWER SUPPLY & GROUND CIRCUIT]

## BATTERY POWER SUPPLY

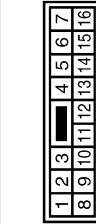
Connector No.	M6
Connector Name	WIRE TO WIRE
Connector Type	TH80MW-CS-E-TM4



Terminal No.	Color of Wire	Signal Name [Specification]
1	W	-
2	GR	-
3	R	-
5	W	-
6	P	-
7	L	-
11	V	-
12	P	-
13	R	-
14	W	-
15	L	-
16	GR	-
17	BR	-
18	L	-
29	G	-
31	L	-
32	Y	-
33	EG	-
34	W	-
35	BR	-
36	P	-
37	P	-
38	G	-
40	V	-
41	LG	-
42	R	-
43	G	-
44	G	-
45	B	- [With A/T]
46	EG	- [With M/T]
47	SB	-
48	Y	-
49	L	-
50	R	-
51	R	-
52	W	-
53	G	-

54	B	-
57	B	-
58	LG	-
60	SB	-
81	B	-
82	V	-
83	W	-
84	L	-
85	GR	-
86	Y	-
87	G	-
88	G	-
89	R	-
91	W	-
92	Y	-
93	EG	-
94	L	-
95	Y	-
96	R	-
97	LG	-
98	SHIELD	-
99	V	-
100	SB	-

Connector No.	M25
Connector Name	WIRE TO WIRE
Connector Type	NS16MW-GS

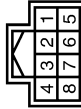


Terminal No.	Color of Wire	Signal Name [Specification]
1	L	-
2	W	-
3	BR	-
4	R	-
5	L	-
6	LG	-
7	B	-
10	P	-
11	L	-
12	Y	-
13	SB	-
14	R	-
15	G	-

16	W	-
----	---	---



Connector No.	M40
Connector Name	STEERING LOCK UNIT
Connector Type	TH08FW-NH



Terminal No.	Color of Wire	Signal Name [Specification]
1	BR	S/L 12V (MECHANICAL)
2	Y	S/L (K LINE)
3	L	S/L CONDITION 1
5	B	GND
6	B	GND
7	SB	S/L 12V (GPU)
8	P	S/L CONDITION 2

Connector No.	M41
Connector Name	4WAS FRONT CONTROL UNIT
Connector Type	SNADZFGY



Terminal No.	Color of Wire	Signal Name [Specification]
11	R	F-MTR PWR SUPPLY
12	B	F-MTR GND

Connector No.	M70
Connector Name	HEATED SEAT RELAY
Connector Type	MS02FL-M2-LC



Terminal No.	Color of Wire	Signal Name [Specification]
1	G	-
2	P	-
3	G	-
5	LG	-

Connector No.	M110
Connector Name	PRE-CRASH SEAT BELT CONTROL UNIT
Connector Type	TH20FW-TB6



Terminal No.	Color of Wire	Signal Name [Specification]
1	P	MOTOR (RH) (RELEASE)
2	W	***B
3	L	MOTOR (RH) (FASTEN)
4	EG	MOTOR (LH) (FASTEN)
5	W	GND (DRIVE)
6	Y	MOTOR (LH) (RELEASE)
7	G	INDICATOR
8	LG	BUCKLE SW RH
10	SB	BUCKLE SW LH
13	W	IGN
16	W	SENS OUTPUT 1
18	R	SENS POWER
20	G	SENS OUTPUT 2
21	B	SENS GND
22	P	CAN-L
24	L	CAN-H
26	B	GND (CONT)

A  
B  
C  
D  
E  
F  
G  
H  
I  
J  
K  
L  
N  
O  
P

PG

# POWER SUPPLY ROUTING CIRCUIT

< DTC/CIRCUIT DIAGNOSIS >

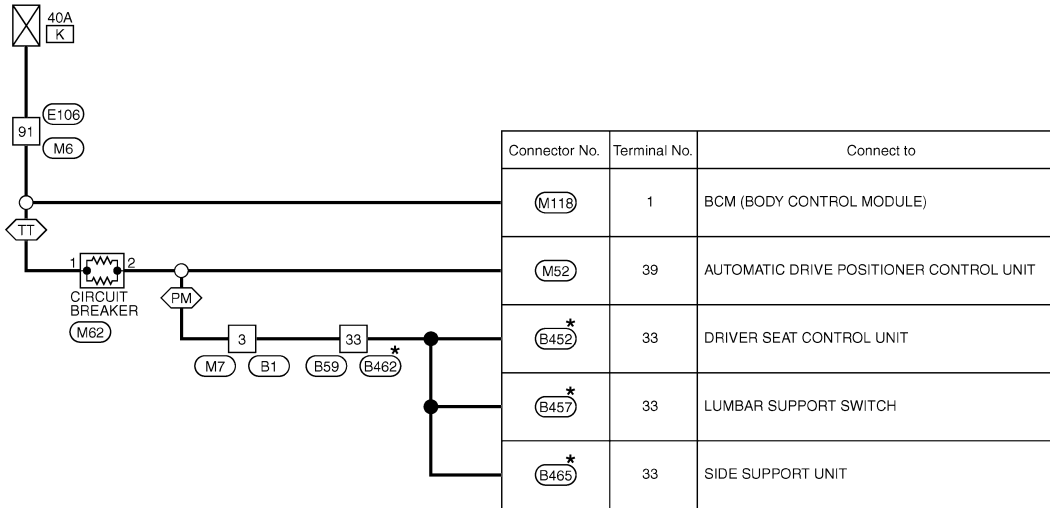
[POWER SUPPLY & GROUND CIRCUIT]

## Wiring Diagram - BATTERY POWER SUPPLY FUSIBLE LINK No. K -

INFOID:000000005623687

### BATTERY POWER SUPPLY FUSIBLE LINK No. K

PM : With automatic drive positioner  
 TT : With tilt & telescopic system



\* : This connector is not shown in "Harness Layout".

2008/08/07

JCMWA3054Gf



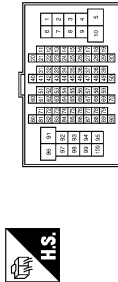
# POWER SUPPLY ROUTING CIRCUIT

[POWER SUPPLY & GROUND CIRCUIT]

< DTC/CIRCUIT DIAGNOSIS >

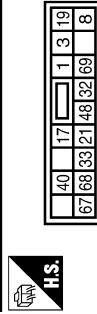
## BATTERY POWER SUPPLY FUSIBLE LINK No. K

Connector No.	B1
Connector Name	WIRE TO WIRE
Connector Type	TH80PW-CS16-TM4



Terminal No.	Color of Wire	Signal Name [Specification]
58	V	-
59	SR	-
60	BR	-
61	W	-
62	R	-
63	L	-
64	Y	-
65	SHIELD	-
71	BG	-
72	GR	-
73	P	-
74	L	-
81	V	-
82	B	-
84	Y	-
85	G	-
86	W	-
87	R	-
88	BR	-
89	Y	-
90	SB	-
91	BG	-
92	BR	-
93	P	-
95	BG	-
96	Y	-
100	GR	-

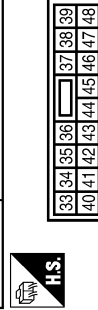
Connector No.	B59
Connector Name	WIRE TO WIRE
Connector Type	NS16FW-CS



Terminal No.	Color of Wire	Signal Name [Specification]
1	BG	-
3	L	-
8	Y	-
17	LG	-
19	P	-
21	Y	-
32	B	-
33	L	-
40	BR	-

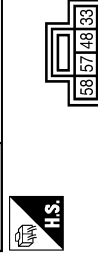
48	B	-
67	BG	-
68	GR	-
69	R	-

Connector No.	B452
Connector Name	DRIVER SEAT CONTROL UNIT
Connector Type	NS16FW-CS



Terminal No.	Color of Wire	Signal Name [Specification]
33	R	BAT (G/B)
35	WR	SLIDING MOTOR (FORWARD)
36	G/Y	RECLINING MOTOR (FORWARD)
37	G/W	FRONT LIFTING MOTOR (DOWNWARD)
38	L/Y	REAR LIFTING MOTOR (UPWARD)
39	R/B	REAR LIFTING MOTOR (BACKWARD)
40	R/W	BAT (FUSE)
42	W/B	SLIDING MOTOR (BACKWARD)
44	P	RECLINING MOTOR (BACKWARD)
45	L/R	FRONT LIFTING MOTOR (UPWARD)
48	B	GND (POWER)

Connector No.	B457
Connector Name	LUMBAR SUPPORT SWITCH
Connector Type	NS6AFN-CS



Terminal No.	Color of Wire	Signal Name [Specification]
33	R	-
48	B	-
57	W	-
58	L	-

Connector No.	B462
Connector Name	WIRE TO WIRE
Connector Type	NS16MP-LC



Terminal No.	Color of Wire	Signal Name [Specification]
1	L/W	-
3	R/Y	-
8	LG	-
17	Y/R	-
19	V	-
21	L/Y	-
32	B/W	-
33	R	-
40	R/W	-
48	B	-
67	R	-
68	L	-
69	BR/W	-

A  
B  
C  
D  
E  
F  
G  
H  
I  
J  
K  
L  
M  
N  
O  
P



JCMW5818G1

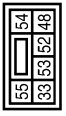
# POWER SUPPLY ROUTING CIRCUIT

< DTC/CIRCUIT DIAGNOSIS >

[POWER SUPPLY & GROUND CIRCUIT]

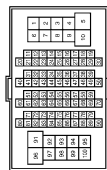
## BATTERY POWER SUPPLY FUSIBLE LINK No. K

Connector No.	B465
Connector Name	SIDE SUPPORT UNIT
Connector Type	NS06FW-CS



Terminal No.	Color of Wire	Signal Name [Specification]
33	R	-
48	B	-
52	G	- [With automatic drive positioner]
53	B/R	- [Without automatic drive positioner]
54	W/R	- [Without automatic drive positioner]
54	V/W	- [With automatic drive positioner]
54	BR	- [Without automatic drive positioner]
55	R/L	- [With automatic drive positioner]
55	LG	- [Without automatic drive positioner]

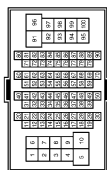
Connector No.	E108
Connector Name	WIRE TO WIRE
Connector Type	TH80FW-CS16-TM4



Terminal No.	Color of Wire	Signal Name [Specification]
1	V	-
2	SB	-
3	BG	-
5	W	-
6	P	-
7	L	-
11	V	-
12	P	-
13	R	-
14	W	-
15	L	-
16	GR	-

17	SB	-
18	LG	-
29	G	-
31	L	-
32	BG	-
33	P	-
34	V	-
35	W	-
36	BG	-
37	G	-
38	R	-
40	R	-
41	LG	-
42	SB	-
43	G	-
44	LG	-
45	GR	-
46	BR	-
47	B	-
48	Y	-
49	V	-
50	R	-
51	SB	-
52	P	-
53	G	-
54	B	-
57	GR	-
58	V	-
80	R	-
81	P	-
82	G	-
83	V	-
84	L	-
85	W	-
86	GR	-
87	LG	-
88	L	-
89	BR	-
91	W	-
92	LG	-
93	GR	-
94	SB	-
95	GR	-
96	R	-
97	Y	-
98	SHIELD	-
99	L	-
100	P	-

Connector No.	M6
Connector Name	WIRE TO WIRE
Connector Type	TH80MW-CS16-TM4



Terminal No.	Color of Wire	Signal Name [Specification]
1	W	-
2	GR	-
3	R	-
5	W	-
6	P	-
7	L	-
11	V	-
12	P	-
13	R	-
14	W	-
15	L	-
16	GR	-
17	BR	-
18	L	-
29	G	-
31	L	-
32	Y	-
33	BG	-
34	W	-
35	BR	-
36	P	-
37	P	-
38	G	-
40	V	-
41	LG	-
42	R	-
43	G	-
44	G	-
45	B	- [With A/T]
45	R	- [With M/T]
46	BG	-
47	SB	-
48	Y	-
49	L	-
50	R	-
51	R	-
52	W	-
53	G	-

54	B	-
57	B	-
58	LG	-
80	SB	-
81	B	-
82	V	-
83	W	-
84	L	-
85	GR	-
86	Y	-
87	G	-
88	G	-
89	R	-
91	W	-
92	Y	-
93	BG	-
94	L	-
95	Y	-
96	R	-
97	LG	-
88	SHIELD	-
99	V	-
100	SB	-

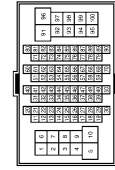
# POWER SUPPLY ROUTING CIRCUIT

< DTC/CIRCUIT DIAGNOSIS >

[POWER SUPPLY & GROUND CIRCUIT]

## BATTERY POWER SUPPLY FUSIBLE LINK No. K

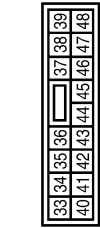
Connector No.	M7
Connector Name	WIRE TO WIRE
Connector Type	TH80MW-CS (E-TM4)



Terminal No.	Color of Wire	Signal Name [Specification]
1	GR	-
2	P	-
3	SB	- [With automatic drive positioner]
3	P	- [Without automatic drive positioner]
4	Y	-
6	L	-
8	G	-
9	Y	-
15	R	-
16	BR	-
17	P	-
18	V	-
20	L	-
21	P	-
22	L	-
23	P	-
24	V	-
25	LG	-
26	BR	-
27	BG	-
28	LG	-
31	V	-
32	LG	-
33	SHIELD	-
34	GR	-
35	BR	-
36	Y	-
37	SHIELD	-
38	SB	-
38	LG	-
40	O	-
41	W	-
42	SHIELD	-
43	R	-
44	G	-
45	SHIELD	-
46	SB	-
55	W	-

56	B	-
58	V	-
59	Y	-
60	Y	-
61	W	-
62	R	-
63	G	-
64	B	-
65	SHIELD	-
71	V	-
72	P	-
73	SB	-
74	V	-
81	W	-
82	BR	-
84	LG	-
85	BG	-
86	SB	-
87	G	-
88	GR	-
89	L	-
90	P	-
91	BG	-
92	L	-
93	P	-
95	BG	-
96	Y	-
100	P	-

Connector No.	M52
Connector Name	AUTOMATIC DRIVE POSITIONER CONTROL UNIT
Connector Type	NS16FW-CS



Terminal No.	Color of Wire	Signal Name [Specification]
33	W	POWER SUPPLY (SENSOR)
34	V	BAT (FUSE)
35	L	TILT MOTOR (UPWARD)
36	GR	TELESCOPIC MOTOR (FORWARD)
39	W	BAT (G/B)
40	B	GND (SIGNAL)
41	Y	GND (SENSOR)
42	BG	TILT MOTOR (DOWNWARD)

44	G	TELESCOPIC MOTOR (BACKWARD)
48	B	GND (POWER)

Connector No.	M62
Connector Name	CIRCUIT BREAKER
Connector Type	M03FW-P-LC



Terminal No.	Color of Wire	Signal Name [Specification]
1	L	-
2	SB	-

Connector No.	MT18
Connector Name	BOM (BODY CONTROL MODULE)
Connector Type	M03FW-LC



Terminal No.	Color of Wire	Signal Name [Specification]
1	W	BAT (F/L)
2	Y	POWER WINDOW POWER SUPPLY (BAT)
3	BG	POWER WINDOW POWER SUPPLY (RAD)

A  
B  
C  
D  
E  
F  
G  
H  
I  
J  
K  
L  
N  
O  
P

PG

JCMWM5820G1


# POWER SUPPLY ROUTING CIRCUIT

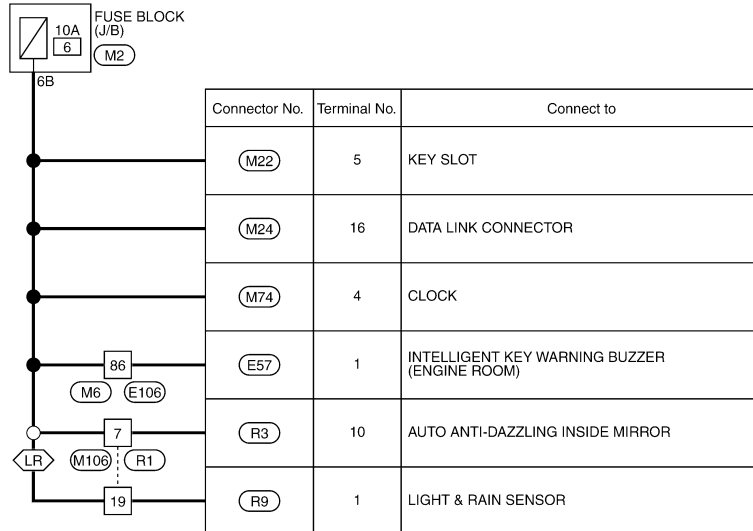
< DTC/CIRCUIT DIAGNOSIS >

[POWER SUPPLY & GROUND CIRCUIT]

## Wiring Diagram - BATTERY POWER SUPPLY FUSE No. 6 - BATTERY POWER SUPPLY FUSE No. 6

INFOID:000000005623688

 : With light & rain sensor



2009/10/30

JCMWM5821G

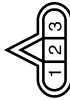
# POWER SUPPLY ROUTING CIRCUIT

< DTC/CIRCUIT DIAGNOSIS >

[POWER SUPPLY & GROUND CIRCUIT]

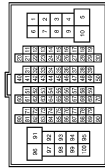
## BATTERY POWER SUPPLY FUSE No. 6

Connector No.	E17
Connector Name	INTELLIGENT KEY WARNING BUZZER (ENGINE ROOM)
Connector Type	RK03FB



Terminal No.	Color of Wire	Signal Name [Specification]
1	GR	-
3	LG	-

Connector No.	E108
Connector Name	WIRE TO WIRE
Connector Type	TH80FW-CS16-TM4



Terminal No.	Color of Wire	Signal Name [Specification]
1	V	-
2	SB	-
3	EG	-
5	W	-
6	P	-
7	L	-
11	V	-
12	P	-
13	R	-
14	W	-
15	L	-
16	GR	-
17	SB	-
18	LG	-
29	G	-
31	L	-
32	EG	-
33	P	-
34	V	-
35	W	-

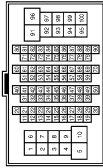
36	BG	-
37	G	-
38	R	-
40	R	-
41	LG	-
42	SB	-
43	G	-
44	LG	-
45	GR	-
46	BR	-
47	B	-
48	Y	-
49	V	-
50	R	-
51	SB	-
52	P	-
53	G	-
54	B	-
57	GR	-
58	V	-
60	R	-
81	P	-
82	G	-
83	V	-
84	L	-
85	W	-
86	GR	-
87	LG	-
88	L	-
89	BR	-
91	W	-
92	LG	-
93	GR	-
94	SB	-
95	GR	-
96	R	-
97	Y	-
98	SHIELD	-
99	L	-
100	P	-

Connector No.	M2
Connector Name	FUSE BLOCK (L/B)
Connector Type	MS10FW-CS



Terminal No.	Color of Wire	Signal Name [Specification]
1B	SB	-
3B	P	-
4B	G	-
5B	BG	-
6B	Y	-
7B	P	-
8B	R	-
9B	SB	-

Connector No.	M6
Connector Name	WIRE TO WIRE
Connector Type	TH80MW-CS16-TM4



Terminal No.	Color of Wire	Signal Name [Specification]
1	W	-
2	GR	-
3	R	-
5	W	-
6	P	-
7	L	-
11	V	-
12	P	-
13	R	-
14	W	-
15	L	-
16	GR	-
17	BR	-
18	L	-

29	G	-
31	L	-
32	Y	-
33	BG	-
34	W	-
35	BR	-
36	P	-
37	P	-
38	G	-
40	V	-
41	LG	-
42	R	-
43	G	-
44	G	-
45	B	-
45	R	-
46	BG	-
47	SB	-
48	Y	-
49	L	-
50	R	-
51	R	-
52	W	-
53	G	-
54	B	-
57	B	-
58	LG	-
80	SB	-
81	B	-
82	V	-
83	W	-
84	L	-
85	GR	-
86	Y	-
87	G	-
88	G	-
89	R	-
91	W	-
92	Y	-
93	BG	-
94	L	-
95	Y	-
96	R	-
97	LG	-
98	SHIELD	-
99	V	-
100	SB	-

A  
B  
C  
D  
E  
F  
G  
H  
I  
J  
K  
L  
PG  
N  
O  
P

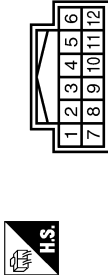
# POWER SUPPLY ROUTING CIRCUIT

[POWER SUPPLY & GROUND CIRCUIT]

< DTC/CIRCUIT DIAGNOSIS >

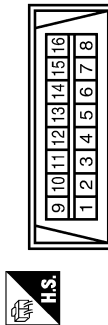
## BATTERY POWER SUPPLY FUSE No. 6

Connector No.	M22
Connector Name	KEY SLOT
Connector Type	TH12FV-NH



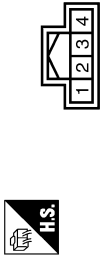
Terminal No.	Color of Wire	Signal Name [Specification]
1	R	BAT
2	GR	CLOCK
3	W	DATA
5	Y	ILL BAT
6	LG	ILL
7	B	GND
11	SB	KEY SWITCH SIGNAL

Connector No.	M24
Connector Name	DATA LINK CONNECTOR
Connector Type	BD16FV-P



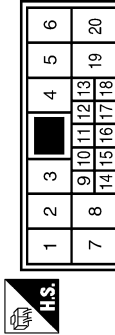
Terminal No.	Color of Wire	Signal Name [Specification]
3	LG	-
4	B	-
5	B	-
6	L	-
7	V	-
8	G	-
11	SB	-
14	P	-
16	R	-

Connector No.	M74
Connector Name	CLOCK
Connector Type	TH40FV-NH



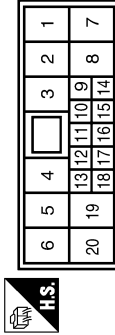
Terminal No.	Color of Wire	Signal Name [Specification]
1	B	ILLUMINATION (-)
2	L	ILLUMINATION (+)
3	B	GND
4	Y	BAT

Connector No.	M106
Connector Name	WIRE TO WIRE
Connector Type	NH10MW-GS10



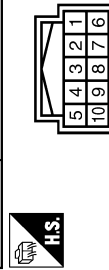
Terminal No.	Color of Wire	Signal Name [Specification]
2	L	-
3	SHIELD	-
4	G	-
5	BR	-
6	BG	-
7	Y	-
8	P	-
9	LG	-
10	V	-
11	B	-
12	B	-
13	R	-
15	R	-
16	G	-
17	SHIELD	-
18	B	-
19	Y	-
20	R	-

Connector No.	R1
Connector Name	WIRE TO WIRE
Connector Type	NH10FV-GS10



Terminal No.	Color of Wire	Signal Name [Specification]
2	L	-
3	SHIELD	-
4	G	-
5	BR	-
6	Y	-
7	GR	-
8	BR	-
9	R	-
10	V	-
11	B	-
12	B	-
13	Y	-
15	R	-
16	G	-
17	SHIELD	-
18	B	-
19	Y	-
20	R	-

Connector No.	R3
Connector Name	AUTO ANTI-DAZZLING INSIDE MIRROR
Connector Type	TH10FB-NH



Terminal No.	Color of Wire	Signal Name [Specification]
6	BR	IGN
8	B	GND
10	GR	BAT

Connector No.	R9
Connector Name	LIGHT & RAIN SENSOR
Connector Type	FA4BGFEB



Terminal No.	Color of Wire	Signal Name [Specification]
1	Y	+B
2	R	SIG
3	B	GND

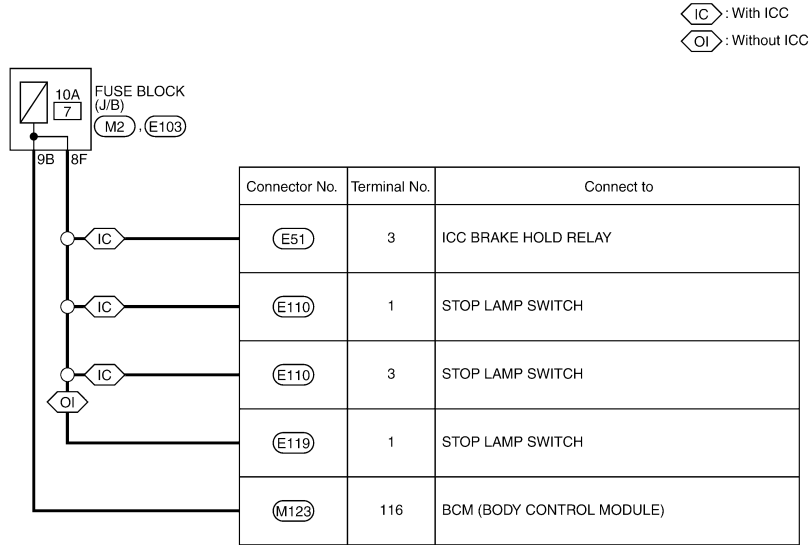
# POWER SUPPLY ROUTING CIRCUIT

< DTC/CIRCUIT DIAGNOSIS >

[POWER SUPPLY & GROUND CIRCUIT]

## Wiring Diagram - BATTERY POWER SUPPLY FUSE No. 7 - BATTERY POWER SUPPLY FUSE No. 7

INFOID:000000005623689



A  
B  
C  
D  
E  
F  
G  
H  
I  
J  
K  
L  
N  
O  
P

PG

2009/10/30

JCMWM5824G

# POWER SUPPLY ROUTING CIRCUIT

< DTC/CIRCUIT DIAGNOSIS >

[POWER SUPPLY & GROUND CIRCUIT]

## BATTERY POWER SUPPLY FUSE No. 7

Connector No.	E51
Connector Name	ICC BRAKE HOLD RELAY
Connector Type	MS02FL-MZ-LC



Terminal No.	Color of Wire	Signal Name [Specification]
1	B	-
2	SB	-
3	L	-
5	W	-

Connector No.	E103
Connector Name	FUSE BLOCK (J/B)
Connector Type	NS16FW-CS



Terminal No.	Color of Wire	Signal Name [Specification]
1F	SB	-
2F	W	-
4F	G	-
6F	BR	-
8F	L	-
9F	P	-

Connector No.	E110
Connector Name	STOP LAMP SWITCH
Connector Type	MD4FW-LC



Terminal No.	Color of Wire	Signal Name [Specification]
1	L	-
2	W	-
3	L	-
4	SB	-

Connector No.	E119
Connector Name	STOP LAMP SWITCH
Connector Type	MD4FW-LC



Terminal No.	Color of Wire	Signal Name [Specification]
1	L	-
2	W	-
3	G	-
4	V	-

Connector No.	M2
Connector Name	FUSE BLOCK (J/B)
Connector Type	NS10PW-CS



Terminal No.	Color of Wire	Signal Name [Specification]
1B	SB	-
2B	P	-
4B	G	-
5B	BG	-
6B	Y	-
7B	P	-
8B	R	-
9B	SB	-

Connector No.	M123
Connector Name	BCM (BODY CONTROL MODULE)
Connector Type	TH40FG-NH



Terminal No.	Color of Wire	Signal Name [Specification]
112	R	RAIN SENSOR SERIAL LINK
113	BG	OPTICAL SENSOR
114	R	CLUTCH INTERLOCK SW
116	SB	STOP LAMP SW 1
118	BR	STOP LAMP SW 2
119	SB	DR DOOR UNLOCK SENSOR
121	SB	KEY SLOT SW
123	V	IGN F/B
124	R	PASSENGER DOOR SW
129	BG	TRUNK LID OPENER CANCEL SW
132	V	POWER WINDOW SW COM1
133	L	PUSH-BUTTON IGNITION SW ILL POWER
134	LG	LOCK IND
137	BG	RECEIVER / SENSOR GND
138	V	RECEIVER / SENSOR POWER SUPPLY
139	L	TIRE PRESSURE RECEIVER COMM
140	B	SHIFT IN/P
141	W	SECURITY INDICATOR LAMP
142	BR	COMBI SW OUTPUT 5
143	P	COMBI SW OUTPUT 1
144	G	COMBI SW OUTPUT 2
145	L	COMBI SW OUTPUT 3
146	SB	COMBI SW OUTPUT 4
149	W	TIRE PRESSURE WARN CHECK SW
150	GR	DRIVER DOOR SW
151	G	REAR WINDOW DEFROGGER RELAY CONT




# POWER SUPPLY ROUTING CIRCUIT

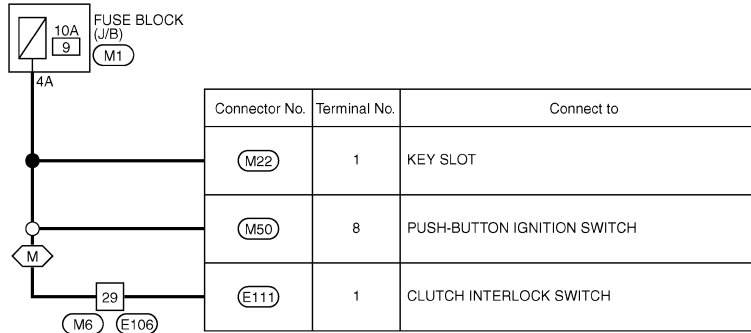
< DTC/CIRCUIT DIAGNOSIS >

[POWER SUPPLY & GROUND CIRCUIT]

## Wiring Diagram - BATTERY POWER SUPPLY FUSE No. 9 - BATTERY POWER SUPPLY FUSE No. 9

INFOID:000000005623690

 : With M/T



A  
B  
C  
D  
E  
F  
G  
H  
I  
J  
K  
L  
N  
O  
P

PG

2008/08/07

JCMWA3062GE

# POWER SUPPLY ROUTING CIRCUIT

< DTC/CIRCUIT DIAGNOSIS >

[POWER SUPPLY & GROUND CIRCUIT]

## BATTERY POWER SUPPLY FUSE No. 9

Connector No.	E106
Connector Name	WIRE TO WIRE
Connector Type	TH80YW-CS16-TM4

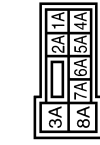


Terminal No.	Color of Wire	Signal Name [Specification]
1	V	
2	SB	
3	EG	
5	W	
6	P	
7	L	
11	V	
12	P	
13	R	
14	W	
15	L	
16	GR	
17	SB	
18	LG	
28	G	
31	L	
32	EG	
33	P	
34	V	
35	W	
36	EG	
37	G	
38	R	
40	R	
41	LG	
42	SB	
43	G	
44	LG	
45	GR	
46	BR	
47	B	
48	Y	
49	V	
50	R	
51	SB	
52	P	
53	G	
54	B	

57	GR
58	V
80	R
81	P
82	G
83	V
84	L
85	W
86	GR
87	LG
88	L
89	BR
91	W
92	LG
93	GR
94	SB
95	GR
96	R
97	Y
98	SHIELD
99	L
100	P



Connector No.	M1
Connector Name	FUSE BLOCK (U/B)
Connector Type	NS8BFW-M2



Terminal No.	Color of Wire	Signal Name [Specification]
1A	V	
2A	G	
3A	L	
4A	P	
5A	L	
6A	Y	
7A	R	
8A	L	

Connector No.	E111
Connector Name	CLUTCH INTERLOCK SWITCH
Connector Type	IS02FL



Terminal No.	Color of Wire	Signal Name [Specification]
1	G	
2	GR	

Connector No.	M6
Connector Name	WIRE TO WIRE
Connector Type	TH80MW-CS16-TM4



Terminal No.	Color of Wire	Signal Name [Specification]
1	W	
2	GR	
3	R	
5	W	
6	P	
7	L	
11	V	
12	P	
13	R	
14	W	
15	L	
16	GR	
17	BR	
18	L	

29	G
31	L
32	Y
33	EG
34	W
35	BR
36	P
37	P
38	G
40	V
41	LG
42	R
43	G
44	G
45	B
46	R
47	EG
48	Y
49	L
50	R
51	R
52	W
53	G
54	B
57	B
58	LG
80	SB
81	B
82	V
83	W
84	L
85	GR
86	Y
87	G
88	G
89	R
91	W
92	Y
93	EG
94	L
95	Y
96	R
97	LG
98	SHIELD
99	V
100	SB

# POWER SUPPLY ROUTING CIRCUIT

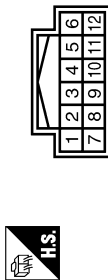
< DTC/CIRCUIT DIAGNOSIS >

[POWER SUPPLY & GROUND CIRCUIT]

A  
B  
C  
D  
E  
F  
G  
H  
I  
J  
K  
L  
N  
O  
P

## BATTERY POWER SUPPLY FUSE No. 9

Connector No.	M22
Connector Name	KEY SLOT
Connector Type	TH12FW-NH



Terminal No.	Color of Wire	Signal Name [Specification]
1	R	BAT
2	GR	CLOCK
3	W	DATA
5	Y	ILL.BAT
6	LG	ILL
7	B	GRD
11	SB	KEY SWITCH SIGNAL

Connector No.	M50
Connector Name	PUSH-BUTTON IGNITION SWITCH
Connector Type	TK08FBR



Terminal No.	Color of Wire	Signal Name [Specification]
1	B	-
2	R	-
3	L	-
4	BR	-
5	LG	-
6	BG	-
7	GR	-
8	P	-

JCMWM5827G1

PG

# POWER SUPPLY ROUTING CIRCUIT



## [POWER SUPPLY & GROUND CIRCUIT]

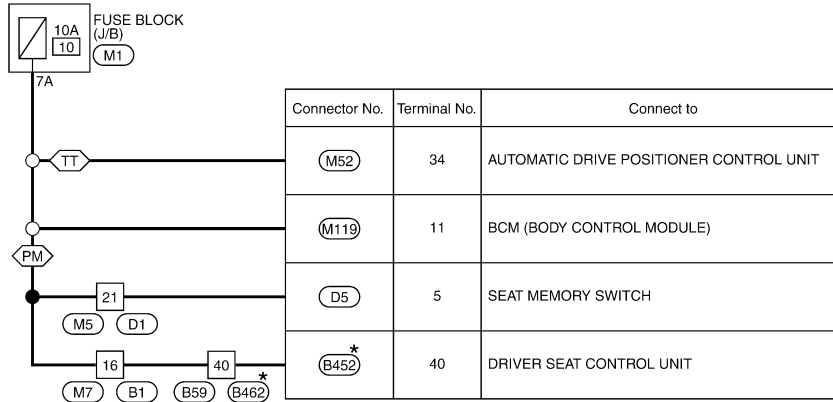
< DTC/CIRCUIT DIAGNOSIS >

### Wiring Diagram - BATTERY POWER SUPPLY FUSE No. 10 -

INFOID:000000005623691

#### BATTERY POWER SUPPLY FUSE No. 10

 : With automatic drive positioner  
 : With tilt & telescopic system



\* : This connector is not shown in "Harness Layout".

2009/10/30

JCMWM5828G

# POWER SUPPLY ROUTING CIRCUIT

< DTC/CIRCUIT DIAGNOSIS >

[POWER SUPPLY & GROUND CIRCUIT]

## BATTERY POWER SUPPLY FUSE No. 10

Connector No.	B1
Connector Name	WIRE TO WIRE
Connector Type	TH80PW-CS16-TM4



Terminal No.	Color of Wire	Signal Name [Specification]
1	GR	
2	EG	
3	L	
4	Y	
6	R	
8	W	
9	V	
15	Y	
16	BR	
17	LG	
18	BG	
20	L	
21	P	
22	L	
23	P	
24	V	
25	SB	
26	G	
27	W	
28	R	
31	V	
32	SB	
33	SHIELD	
34	W	
35	BR	
36	Y	
37	SHIELD	
38	Y	
39	SB	
40	P	
41	L	
42	SHIELD	
43	R	
44	G	
45	SHIELD	
46	SB	
55	BR	
56	R	

58	V	
59	SR	
60	BR	
61	W	
62	R	
63	L	
64	Y	
65	SHIELD	
71	BG	
72	GR	
73	P	
74	L	
81	V	
82	B	
84	Y	
85	G	
86	W	
87	R	
88	BR	
89	Y	
90	SB	
91	BG	
92	BR	
93	P	
95	BG	
96	Y	
100	GR	

Connector No.	B59
Connector Name	WIRE TO WIRE
Connector Type	NS16FW-CS



40	17	1	3	19
67	68	33	21	48
32	69	43	32	69
8				

Terminal No.	Color of Wire	Signal Name [Specification]
1	BG	
3	L	
8	Y	
17	LG	
19	P	
21	Y	
32	B	
33	L	
40	BR	

48	B	
67	BG	
68	GR	
69	R	

Connector No.	B462
Connector Name	DRIVER SEAT CONTROL UNIT
Connector Type	NS16FW-CS



33	34	35	36
40	41	42	43
44	45	46	47
48			

Terminal No.	Color of Wire	Signal Name [Specification]
33	R	BAT (G/B)
35	W/R	SLIDING MOTOR (FORWARD)
36	G/Y	RECLINING MOTOR (FORWARD)
37	G/W	FRONT LIFTING MOTOR (DOWNWARD)
38	L/Y	REAR LIFTING MOTOR (UPWARD)
39	R/B	REAR LIFTING MOTOR (BACKWARD)
40	R/W	BAT (FUSE)
42	W/B	SLIDING MOTOR (BACKWARD)
44	P	RECLINING MOTOR (BACKWARD)
45	L/R	FRONT LIFTING MOTOR (UPWARD)
48	B	GND (POWER)

Connector No.	B462
Connector Name	WIRE TO WIRE
Connector Type	NS16MW-LC



19	3	1	17	40
8	69	32	48	21
33	68	67		

Terminal No.	Color of Wire	Signal Name [Specification]
1	L/W	
3	R/Y	
8	LG	
17	Y/R	
19	V	

21	L/Y	
32	B/W	
33	R	
40	R/W	
48	B	
67	R	
68	L	
69	BR/W	

A  
B  
C  
D  
E  
F  
G  
H  
I  
J  
K  
L  
N  
O  
P

PG

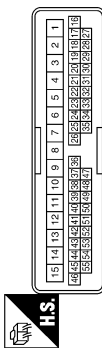
# POWER SUPPLY ROUTING CIRCUIT

[POWER SUPPLY & GROUND CIRCUIT]

< DTC/CIRCUIT DIAGNOSIS >

## BATTERY POWER SUPPLY FUSE No. 10

Connector No.	D1
Connector Name	WIRE TO WIRE
Connector Type	TH40MW-CS15



Terminal No.	Color of Wire	Signal Name [Specification]
1	Y	-
2	B	-
3	SB	-
4	V	-
8	L	-
9	P	-
10	LG	-
12	L	-
13	W	-
14	G	-
15	R	-
16	GR	-
17	L	-
18	BR	-
19	BG	-
20	P	-
21	R	-
25	V	-
26	R	-
27	BR	-
28	W	-
29	Y	-
30	G	-
31	LG	-
32	GR	-
33	B	-
36	W	-
37	P	-
38	V	-
39	BR	-
42	G	-
43	GR	-
44	BG	-
47	V	-
48	R	-
49	SB	-
50	W	-
51	P	-

52	V	-
----	---	---

Connector No.	D5
Connector Name	SEAT MEMORY SWITCH
Connector Type	J408FW



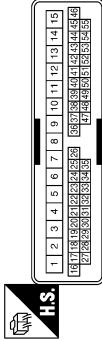
Terminal No.	Color of Wire	Signal Name [Specification]
1	L	-
2	BR	-
3	GR	-
4	B	-
5	R	-
6	BG	-
7	P	-

Connector No.	M1
Connector Name	FUSE BLOCK (J/B)
Connector Type	NS06FW-M2



Terminal No.	Color of Wire	Signal Name [Specification]
1A	V	-
2A	G	-
3A	L	-
4A	P	-
5A	L	-
6A	Y	-
7A	R	-
8A	L	-

Connector No.	M5
Connector Name	WIRE TO WIRE
Connector Type	TH40MW-CS15



Terminal No.	Color of Wire	Signal Name [Specification]
1	Y	-
2	B	-
3	BG	-
4	V	-
8	SB	-
9	G	-
10	V	-
12	L	-
13	W	-
14	B	-
15	W	-
16	R	-
17	BR	-
18	V	-
19	BG	-
20	P	-
21	W	-
25	Y	-
26	G	-
27	L	-
28	Y	-
29	G	-
30	SB	-
31	LG	-
32	W	-
33	B	-
36	W	-
37	GR	-
38	Y	-
39	B	-
42	Y	-
43	L	-
44	G	-
44	L	-
47	L	-
48	GR	-
49	SB	-
50	P	-

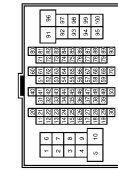
# POWER SUPPLY ROUTING CIRCUIT

< DTC/CIRCUIT DIAGNOSIS >

[POWER SUPPLY & GROUND CIRCUIT]

## BATTERY POWER SUPPLY FUSE No. 10

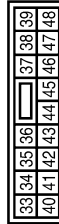
Connector No.	M7
Connector Name	WIRE TO WIRE
Connector Type	TH80MW-CS 6P-TM4



Terminal No.	Color of Wire	Signal Name [Specification]
1	GR	-
2	P	-
3	SB	- [With automatic drive positioner]
4	P	- [Without automatic drive positioner]
5	Y	-
6	L	-
8	G	-
9	Y	-
15	R	-
16	BR	-
17	P	-
18	V	-
20	L	-
21	P	-
22	L	-
23	P	-
24	V	-
25	LG	-
26	BR	-
27	BG	-
28	LG	-
31	V	-
32	LG	-
33	SHIELD	-
34	GR	-
35	BR	-
36	Y	-
37	SHIELD	-
38	SB	-
39	LG	-
40	O	-
41	W	-
42	SHIELD	-
43	R	-
44	G	-
45	SHIELD	-
46	SB	-
55	W	-

56	B	-
58	V	-
59	Y	-
60	Y	-
61	W	-
62	R	-
63	G	-
64	B	-
65	SHIELD	-
71	V	-
72	P	-
73	SB	-
74	V	-
81	W	-
82	BR	-
84	LG	-
85	BG	-
86	SB	-
87	G	-
88	GR	-
89	L	-
90	P	-
91	BG	-
92	L	-
93	P	-
95	BG	-
96	Y	-
100	P	-

Connector No.	M52
Connector Name	AUTOMATIC DRIVE POSITIONER CONTROL UNIT
Connector Type	NS16FW-CS



Terminal No.	Color of Wire	Signal Name [Specification]
33	W	POWER SUPPLY (SENSOR)
34	V	BAT (FUSE)
35	L	TILT MOTOR (UPWARD)
36	GR	TELESCOPIC MOTOR (FORWARD)
39	W	BAT (G/B)
40	B	GND (SIGNAL)
41	Y	GND (SENSOR)
42	BG	TILT MOTOR (DOWNWARD)

44	G	TELESCOPIC MOTOR (BACKWARD)
46	B	GND (POWER)

Connector No.	M119
Connector Name	BCM (BODY CONTROL MODULE)
Connector Type	NS16FW-CS



Terminal No.	Color of Wire	Signal Name [Specification]
4	LG	INTERIOR ROOM LAMP POWER SUPPLY
5	B	PASSENGER DOOR UNLOCK OUTPUT
7	SB	STEP LAMP OUTPUT
8	V	ALL DOOR FUEL LID LOCK OUTPUT
9	G	DRIVER DOOR FUEL LID UNLOCK OUTPUT
10	P	REAR DOOR UNLOCK OUTPUT
11	R	BAT (FUSE)
13	B	GND
14	W	PUSH-BUTTON IGNITION SW ILL GND
15	BG	ACC IND
17	W	TURN SIGNAL RH (FRONT)
18	BG	TURN SIGNAL LH (FRONT)
19	V	ROOM LAMP TIMER CONTROL

A  
B  
C  
D  
E  
F  
G  
H  
I  
J  
K  
L  
N  
O  
P

PG

# POWER SUPPLY ROUTING CIRCUIT


< DTC/CIRCUIT DIAGNOSIS >

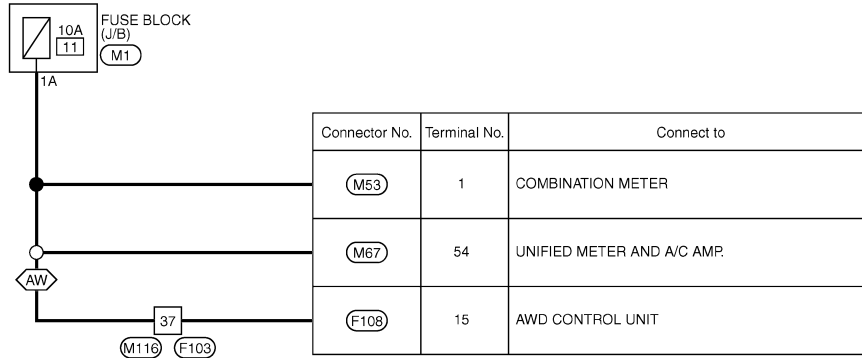
[POWER SUPPLY & GROUND CIRCUIT]

## Wiring Diagram - BATTERY POWER SUPPLY FUSE No. 11 -

INFOID:000000005623692

### BATTERY POWER SUPPLY FUSE No. 11

 : AWD models



2008/08/07

JCMWA3067GE



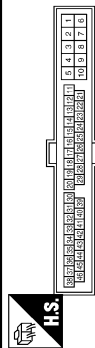
# POWER SUPPLY ROUTING CIRCUIT

< DTC/CIRCUIT DIAGNOSIS >

[POWER SUPPLY & GROUND CIRCUIT]

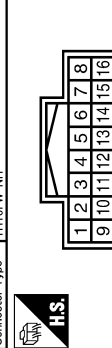
## BATTERY POWER SUPPLY FUSE No. 11

Connector No.	F103
Connector Name	WIRE TO WIRE
Connector Type	TK36FW-NS10



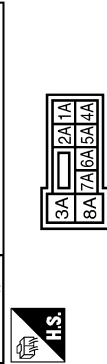
Terminal No.	Color of Wire	Signal Name [Specification]
1	G	-
2	G	-
3	W	-
4	R	-
5	B	-
6	Y	-
7	Y	-
8	Y	-
9	Y	-
10	GR	-
11	O	-
12	Y	-
13	B	-
14	Y	-
15	Y	-
16	Y	-
17	Y	-
18	Y	-
19	O	-
20	Y	-
21	B	-
22	B	-
23	B	-
24	O	-
25	Y	-
26	Y	-
27	Y	-
28	B	-
29	B	-
30	LG	-
31	R	-
32	R	-
33	B	-
34	B	-
35	L	-
36	P	-
37	Y	-
38	G	-
39	O	-
40	BR	-
41	P	-
42	BR	-
43	P	-
44	L	-
45	G	-
46	V	-

Connector No.	F108
Connector Name	AWD CONTROL UNIT
Connector Type	TH16FW-NH



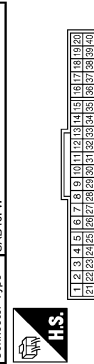
Terminal No.	Color of Wire	Signal Name [Specification]
1	BR	AWD SOL (+)
2	Y	AWD SOL (-)
3	W	OIL TEMP (-)
4	G	IGN
5	Y	CAN-H
6	L	AWD SOL BAT
7	O	GND
8	B	GND
9	B	OIL TEMP (+)
10	B	VB
11	Y	VB
12	Y	VB
13	LG	OIL TEMP (-)
14	Y	VB
15	Y	VB
16	P	CAN-L

Connector No.	M1
Connector Name	FUSE BLOCK (J/B)
Connector Type	NS30FW-M2



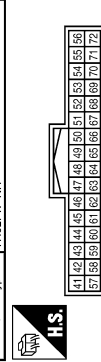
Terminal No.	Color of Wire	Signal Name [Specification]
1A	V	-
2A	G	-
3A	L	-
4A	P	-
5A	L	-
6A	Y	-
7A	R	-
8A	L	-

Connector No.	M63
Connector Name	COMBINATION METER
Connector Type	SAB40FW



Terminal No.	Color of Wire	Signal Name [Specification]
1	V	BATTERY POWER SUPPLY
2	LG	COMMUNICATION SIGNAL (METER->AMP)
3	GR	COMMUNICATION SIGNAL (AMP->METER)
4	B	GROUND
5	B	GROUND
6	W	ALTERNATOR SIGNAL
7	LG	AIR BAG SIGNAL
8	W	SECURITY SIGNAL
9	W	GROUND
10	W	METER CONTROL SWITCH GROUND
11	BR	ILL GND
12	BR	ILL GND
13	GR	ILL GND
14	GR	ILL GND
15	R	ILL
16	G	IGNITION SIGNAL
17	B	GROUND
18	BR	COMMUNICATION SIGNAL (LCD->AMP)
19	Y	COMMUNICATION SIGNAL (AMP->LCD)
20	Y	VEHICLE SPEED SIGNAL (0-PULSE)
21	R	PARKING BRAKE SWITCH SIGNAL
22	SB	BRAKE FLUID LEVEL SWITCH
23	P	SEAT BELT BUCKLE SW SIGNAL (DRIVER SIDE)
24	G	SEAT BELT BUCKLE SWITCH SIGNAL (PASSENGER SIDE)
25	L	WASHER LEVEL SWITCH SIGNAL
26	R	ILLUMINATION CONTROL SIGNAL
27	LG	SELECT SWITCH SIGNAL
28	Y	ENTER SWITCH SIGNAL
29	G	TRIP A/B RESET SWITCH SIGNAL
30	P	ILLUMINATION CONTROL SWITCH SIGNAL (-)
31	BG	ILLUMINATION CONTROL SWITCH SIGNAL (+)

Connector No.	M67
Connector Name	UNIFIED METER AND A/C AMP.
Connector Type	TH32FW-NH



Terminal No.	Color of Wire	Signal Name [Specification]
41	L	ACC POWER SUPPLY
42	BR	FUEL LEVEL SENSOR SIGNAL
43	BR	INTAKE SENSOR SIGNAL
44	LG	IN-VEHICLE SENSOR SIGNAL
45	V	AMBIENT SENSOR SIGNAL
46	Y	SUNLOAD SENSOR SIGNAL

Terminal No.	Color of Wire	Signal Name [Specification]
47	G	GAS SENSOR SIGNAL
48	W	IGNITION POWER SUPPLY
49	SB	BATTERY POWER SUPPLY
50	B	GROUND
51	L	CAN-H
52	Y	BRAKE FLUID LEVEL SWITCH
53	Y	FUEL LEVEL SENSOR GROUND
54	GR	INTAKE SENSOR GROUND
55	W	IN-VEHICLE SENSOR GROUND
56	B	AMBIENT SENSOR GROUND
57	SB	SUNLOAD SENSOR GROUND
58	L	ION CONTROL MODE OUTPUT SIGNAL
59	BG	ECV SIGNAL
60	P	A/C LAN SIGNAL
61	R	EACH DOOR MOTOR POWER SUPPLY
62	GR	GROUND
63	P	CAN-L

A  
B  
C  
D  
E  
F  
G  
H  
I  
J  
K  
L  
PG  
N  
O  
P

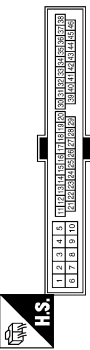
# POWER SUPPLY ROUTING CIRCUIT

< DTC/CIRCUIT DIAGNOSIS >

[POWER SUPPLY & GROUND CIRCUIT]

## BATTERY POWER SUPPLY FUSE No. 11

Connector No.	M116
Connector Name	WIRE TO WIRE
Connector Type	TKGBMW-NS10



Terminal No.	Color of Wire	Signal Name [Specification]
2	W	-
3	BG	-
4	P	-
5	B	-
8	R	-
10	R	-
18	BG	-
20	Y	-
28	B	-
29	LG	-
30	LG	-
31	W	-
33	B	-
34	B	-
35	L	-
36	P	-
37	R	-
38	SB	-
41	BG	-
42	G	-
43	P	-
44	L	-
45	Y	-
46	SB	-

JCMWM5833G

# POWER SUPPLY ROUTING CIRCUIT

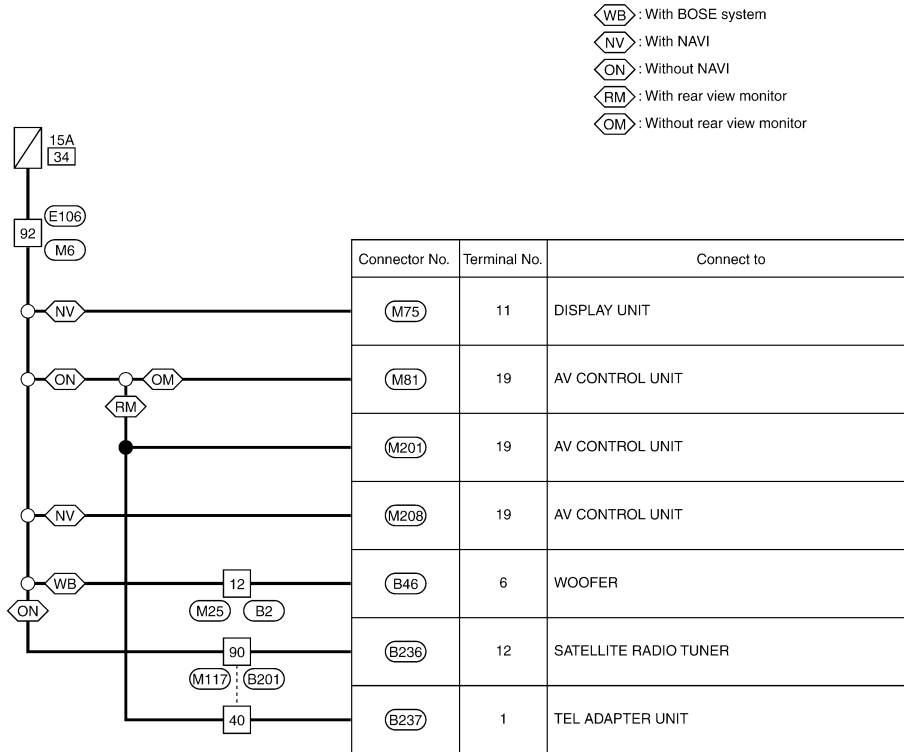
< DTC/CIRCUIT DIAGNOSIS >

[POWER SUPPLY & GROUND CIRCUIT]

## Wiring Diagram - BATTERY POWER SUPPLY FUSE No. 34 -

INFOID:000000005623693

### BATTERY POWER SUPPLY FUSE No. 34



- ◊WB◊ : With BOSE system
- ◊NV◊ : With NAVI
- ◊ON◊ : Without NAVI
- ◊RM◊ : With rear view monitor
- ◊OM◊ : Without rear view monitor

A  
B  
C  
D  
E  
F  
G  
H  
I  
J  
K  
L  
PG  
N  
O  
P

2009/10/30

JCMWM5834G

# POWER SUPPLY ROUTING CIRCUIT

## [POWER SUPPLY & GROUND CIRCUIT]

< DTC/CIRCUIT DIAGNOSIS >

### BATTERY POWER SUPPLY FUSE No. 34

Connector No.	B2
Connector Name	WIRE TO WIRE
Connector Type	NS16FW-CS



7	6	5	4	3	2	1		
16	15	14	13	12	11	10	9	8

Terminal No.	Color of Wire	Signal Name [Specification]
1	L	-
2	W	-
3	V	-
4	LG	-
5	L	-
6	BG	-
7	B	-
10	Y	-
11	LG	-
12	P	-
13	GR	-
14	R	-
15	G	-
16	W	-

Connector No.	B46
Connector Name	WOOFER
Connector Type	NS08FBR-CS



2	6	
1	4	5

Terminal No.	Color of Wire	Signal Name [Specification]
1	V	SOUND SIGNAL WOOFER (-)
2	SB	SOUND SIGNAL WOOFER (+)
4	GR	WOOFER AMP. ON SIGNAL
5	B	GND
6	P	BATTERY

Connector No.	B201
Connector Name	WIRE TO WIRE
Connector Type	TH80FW-CS16-TM4



16	15	14	13	12	11	10	9	8	7	6	5	4	3	2	1
----	----	----	----	----	----	----	---	---	---	---	---	---	---	---	---

Terminal No.	Color of Wire	Signal Name [Specification]
1	BR	-
5	P	-
6	L	-
7	V	-
9	LG	-
10	L	-
31	L	-
32	P	-
33	G	-
34	R	-
40	GR	-
41	LG	-
42	BG	-
43	R	-
45	G	-
46	SHIELD	-
47	G	-
48	Y	-
49	SHIELD	-
50	W	-
71	R	-
72	V	-
80	BG	-
81	SHIELD	-
82	G	-
83	P	-
84	L	-
85	SHIELD	-
86	G	-
87	R	-
88	W	-
89	B	-
90	Y	-
91	V	-
92	W	-
93	BG	-
94	R	-
95	SB	-

96	G	-
97	GR	-
98	BR	-
99	P	-
100	L	-

Connector No.	B236
Connector Name	SATELLITE RADIO TUNER
Connector Type	A16FW



2	4	6	12	14	16				
1	3	5	7	8	9	10	11	13	15

Terminal No.	Color of Wire	Signal Name [Specification]
1	G	SATELLITE RADIO SOUND SIGNAL LH (-)
2	R	SATELLITE RADIO SOUND SIGNAL LH (+)
3	W	SATELLITE RADIO SOUND SIGNAL RH (-)
4	B	SATELLITE RADIO SOUND SIGNAL RH (+)
5	SHIELD	SHIELD
6	SHIELD	SHIELD
8	G	REQUEST (SAT->CONT)
9	L	COMM (SAT->CONT)
10	P	COMM (CONT->SAT)
12	Y	BATTERY
16	BG	ACC

Connector No.	B237
Connector Name	TEL ADAPTER UNIT
Connector Type	TH52FW-NH



2	4	6	8	10	12	14	16	18	20	22	24	26	28	30	32
1	3	5	7	9	11	13	15	17	19	21	23	25	27	29	31

Terminal No.	Color of Wire	Signal Name [Specification]
1	GR	BATTERY
2	LG	ACC
3	BG	IGNITION
4	B	GND

5	SHIELD	SHIELD
7	R	MICROPHONE SIGNAL
8	SHIELD	MICROPHONE GND
9	Y	TEL VOICE SIGNAL (+)
10	G	TEL VOICE SIGNAL (-)
14	B	GND
23	B	CONTROL SIGNAL
24	B	CONTROL SIGNAL
28	W	VEHICLE SPEED (8-PULSE)
29	G	MICROPHONE VCC

# POWER SUPPLY ROUTING CIRCUIT

[POWER SUPPLY & GROUND CIRCUIT]

< DTC/CIRCUIT DIAGNOSIS >

## BATTERY POWER SUPPLY FUSE No. 34

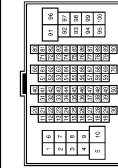
Connector No.	E106
Connector Name	WIRE TO WIRE
Connector Type	TH80PW-CS16-TM4



Terminal No.	Color of Wire	Signal Name [Specification]
1	V	
2	SB	
3	BG	
5	W	
6	P	
7	L	
11	V	
12	P	
13	R	
14	W	
15	L	
16	GR	
17	SB	
18	LG	
29	G	
31	L	
32	BG	
33	P	
34	V	
35	W	
36	BG	
37	G	
38	R	
40	R	
41	LG	
42	SB	
43	G	
44	LG	
45	GR	
46	BR	
47	B	
48	Y	
49	V	
50	R	
51	SB	
52	P	
53	G	
54	B	

57	GR	
58	V	
60	R	
61	P	
82	G	
83	V	
84	L	
85	W	
86	GR	
87	LG	
88	L	
89	BR	
91	W	
92	LG	
93	GR	
94	SB	
95	GR	
96	R	
97	Y	
98	SHIELD	
99	L	
100	P	

Connector No.	M6
Connector Name	WIRE TO WIRE
Connector Type	TH80MW-CS16-TM4



Terminal No.	Color of Wire	Signal Name [Specification]
1	W	
2	GR	
3	R	
5	W	
6	P	
7	L	
11	V	
12	P	
13	R	
14	W	
15	L	
16	GR	
17	BR	
18	L	

29	G	
31	V	
32	Y	
33	BG	
34	W	
35	BR	
36	P	
37	P	
38	G	
40	V	
41	LG	
42	R	
43	G	
44	G	
45	B	
46	R	
47	BG	
48	SB	
49	Y	
50	R	
51	R	
52	W	
53	G	
54	B	
57	B	
58	LG	
80	SB	
81	B	
82	V	
83	W	
84	L	
85	GR	
86	Y	
87	G	
88	G	
89	R	
91	W	
92	Y	
93	BG	
94	L	
95	Y	
96	R	
97	LG	
98	SHIELD	
99	V	
100	SB	

Connector No.	ME5
Connector Name	WIRE TO WIRE
Connector Type	NS16MP-CS



Terminal No.	Color of Wire	Signal Name [Specification]
1	L	
2	W	
3	BR	
4	R	
5	L	
6	LG	
7	B	
10	P	
11	L	
12	Y	
13	SB	
14	R	
15	G	
16	W	

A  
B  
C  
D  
E  
F  
G  
H  
I  
J  
K  
L  
N  
O  
P

PG

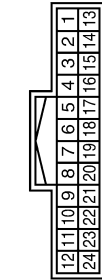
# POWER SUPPLY ROUTING CIRCUIT

[POWER SUPPLY & GROUND CIRCUIT]

< DTC/CIRCUIT DIAGNOSIS >

## BATTERY POWER SUPPLY FUSE No. 34

Connector No.	M75
Connector Name	DISPLAY UNIT
Connector Type	TH24FW-NH



Terminal No.	Color of Wire	Signal Name [Specification]
6	SHIELD	SHIELD
7	B	SHIELD
8	B	CAMERA IMAGE SIGNAL
9	L	COMM.(DISP->CONT)
10	LG	COMM.(CONT->DISP)
11	Y	BATTERY
12	B	GND
16	L	COMPOSITE IMAGE SIGNAL
19	P	COMPOSITE IMAGE GND
22	B	SHIELD
23	LG	ACC

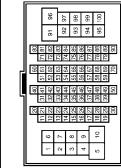
Connector No.	M81
Connector Name	AV CONTROL UNIT
Connector Type	TH18FW-CS2



Terminal No.	Color of Wire	Signal Name [Specification]
2	L	SOUND SIGNAL FRONT LH (+)
3	W	SOUND SIGNAL FRONT LH (-)
4	LG	SOUND SIGNAL REAR LH (+)
5	SB	SOUND SIGNAL REAR LH (-)
6	P	STRG SW A
7	V	ACC
9	L	ILLUMINATION
11	BR	SOUND SIGNAL FRONT RH (+)
12	R	SOUND SIGNAL FRONT RH (-)
13	L	SOUND SIGNAL REAR RH (+)
14	P	SOUND SIGNAL REAR RH (-)

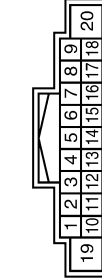
15	B	STRG SW GND
16	L	STRG SW B
19	Y	BATTERY
20	B	GND

Connector No.	M117
Connector Name	WIRE TO WIRE
Connector Type	TH80MW-CS16-TM4



Terminal No.	Color of Wire	Signal Name [Specification]
1	LG	SHIELD
5	P	SHIELD
6	G	SHIELD
7	SB	SHIELD
9	LG	SHIELD
10	L	SHIELD
31	SB	SHIELD
32	LG	SHIELD
33	SB	SHIELD
34	LG	SHIELD
40	Y	SHIELD
41	G	SHIELD
42	LG	SHIELD
43	R	SHIELD
45	G	SHIELD
46	SHIELD	SHIELD
47	P	SHIELD
48	L	SHIELD
49	SHIELD	SHIELD
50	V	SHIELD
71	R	SHIELD
72	L	SHIELD
80	W	SHIELD
81	SHIELD	SHIELD
82	P	SHIELD
83	L	SHIELD
84	G	SHIELD
85	SHIELD	SHIELD
86	W	SHIELD
87	B	SHIELD
88	R	SHIELD
89	G	SHIELD

Connector No.	M208
Connector Name	AV CONTROL UNIT
Connector Type	TH18FW-CS2



Terminal No.	Color of Wire	Signal Name [Specification]
1	GR	AMP_ON SIGNAL
2	O	SOUND SIGNAL FRONT LH (+)
3	W	SOUND SIGNAL FRONT LH (-)
4	V	SOUND SIGNAL REAR LH (+)
5	LG	SOUND SIGNAL REAR LH (-)
6	P	STRG SW A
7	V	ACC
10	B	SHIELD
11	R	SOUND SIGNAL FRONT RH (+)
12	G	SOUND SIGNAL FRONT RH (-)
13	BR	SOUND SIGNAL REAR RH (+)
14	Y	SOUND SIGNAL REAR RH (-)
15	B	STRG SW GND
16	L	STRG SW B
19	Y	BATTERY
20	B	GND

90	Y	
91	V	
92	BR	
93	V	
94	Y	
95	G	
96	G	
97	R	
98	BG	
99	P	
100	L	

Connector No.	M201
Connector Name	AV CONTROL UNIT
Connector Type	TH18FW-CS2



Terminal No.	Color of Wire	Signal Name [Specification]
2	L	SOUND SIGNAL FRONT LH (+)
3	W	SOUND SIGNAL FRONT LH (-)
4	LG	SOUND SIGNAL REAR LH (+)
5	SB	SOUND SIGNAL REAR LH (-)
6	P	STRG SW A
7	V	ACC
9	L	ILLUMINATION
11	BR	SOUND SIGNAL FRONT RH (+)
12	R	SOUND SIGNAL FRONT RH (-)
13	L	SOUND SIGNAL REAR RH (+)
14	P	SOUND SIGNAL REAR RH (-)
15	B	STRG SW GND
16	L	STRG SW B
18	G	GND
19	Y	BATTERY
20	B	GND

# POWER SUPPLY ROUTING CIRCUIT

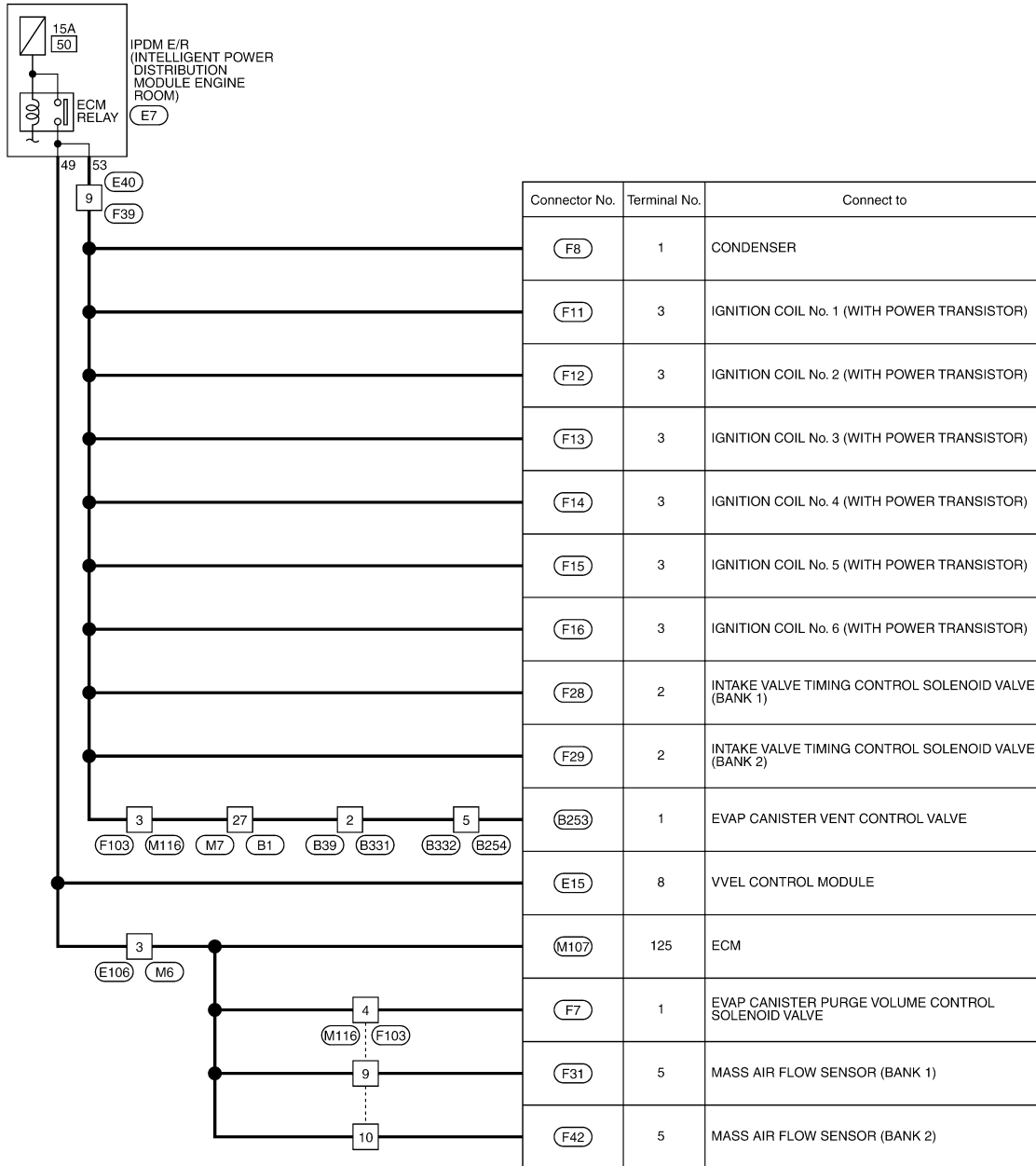
< DTC/CIRCUIT DIAGNOSIS >

[POWER SUPPLY & GROUND CIRCUIT]

## Wiring Diagram - BATTERY POWER SUPPLY FUSE No. 50 -

INFOID:000000005623694

### BATTERY POWER SUPPLY FUSE No. 50



2009/10/30

JCMWM5838G1

A  
B  
C  
D  
E  
F  
G  
H  
I  
J  
K  
L  
N  
O  
P

PG

# POWER SUPPLY ROUTING CIRCUIT

< DTC/CIRCUIT DIAGNOSIS >

[POWER SUPPLY & GROUND CIRCUIT]

## BATTERY POWER SUPPLY FUSE No. 50

Connector No.	B1
Connector Name	WIRE TO WIRE
Connector Type	TH80YW-CS16-TM4



Terminal No.	Color of Wire	Signal Name [Specification]
1	GR	
2	BG	
3	L	
4	Y	
6	R	
8	W	
9	Y	
15	Y	
16	BR	
17	LG	
18	BG	
20	L	
21	P	
22	L	
23	P	
24	V	
25	SB	
26	G	
27	W	
28	R	
31	V	
32	SB	
33	SHIELD	
34	W	
35	BR	
36	Y	
37	SHIELD	
38	Y	
39	SB	
40	P	
41	L	
42	SHIELD	
43	R	
44	G	
45	SHIELD	
46	SB	
55	BR	
56	R	

58	V	
59	SR	
60	BR	
61	W	
62	R	
63	L	
64	Y	
65	SHIELD	
71	BG	
72	GR	
73	P	
74	L	
81	V	
82	B	
84	Y	
85	G	
86	W	
87	R	
88	BR	
89	Y	
90	SB	
91	BG	
92	BR	
93	P	
95	BG	
96	Y	
100	GR	

Connector No.	E39
Connector Name	WIRE TO WIRE
Connector Type	NS16FW-CS



Terminal No.	Color of Wire	Signal Name [Specification]
2	W	
3	R	
4	BR	
5	LG	
6	BG	
7	GR	
8	V	
9	SR	
10	G	

Connector No.	E253
Connector Name	EVAE CANISTER VENT CONTROL VALVE
Connector Type	E02FB-RS



Terminal No.	Color of Wire	Signal Name [Specification]
1	W	
2	L	

Connector No.	E254
Connector Name	WIRE TO WIRE
Connector Type	RS08MB



Terminal No.	Color of Wire	Signal Name [Specification]
1	L	
2	BR	
3	LG	
5	W	
6	V	

Connector No.	E331
Connector Name	WIRE TO WIRE
Connector Type	NS16MW-CS



Terminal No.	Color of Wire	Signal Name [Specification]
2	W	
3	R	
4	BR	
5	LG	
6	BG	
7	GR	
8	V	
9	SR	
10	G	

Connector No.	E332
Connector Name	WIRE TO WIRE
Connector Type	RSJ0FB-PR



Terminal No.	Color of Wire	Signal Name [Specification]
1	R	
2	G	
3	SB	
5	W	
6	V	

JCMW5839G



# POWER SUPPLY ROUTING CIRCUIT

< DTC/CIRCUIT DIAGNOSIS >

[POWER SUPPLY & GROUND CIRCUIT]

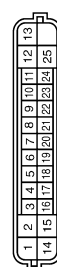
## BATTERY POWER SUPPLY FUSE No. 50

Connector No.	E7
Connector Name	IGNITION INTERLUENT POWER DISTRIBUTION MODULE
Connector Type	TH20PW-CS12-M4



Terminal No.	Color of Wire	Signal Name [Specification]
48	L	-
49	BG	-
51	Y	-
53	W	-
54	P	-
55	SB	-
56	BR	-
57	G	-
58	GR	-
69	BR	-
70	BG	-
73	P	-
74	G	-
75	SB	-
76	Y	-
77	R	-
80	W	-

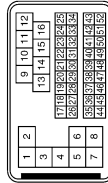
Connector No.	E15
Connector Name	VVEL CONTROL MODULE
Connector Type	RH18FB-AJ28-RH



Terminal No.	Color of Wire	Signal Name [Specification]
1	W	VMOT L
2	L/B	MOTOR L1
3	G	VEL/S-R1
4	W	AGND 1
5	R	VEL/S-L1

6	B	AGND 3
7	SB	AVCC 3
8	BG	LVB
9	LG	AVCC 1
11	GR	CAN-H
12	G	MOTOR R1
13	Y	V-MOT (R)
14	B/W	PGND L
15	L/Y	MOTOR L2
16	R	VEL S-R2
17	L	AGND 2
18	G	VEL S-L2
19	W	AGND 4
20	BR	AVCC 4
21	V	ABORT
22	P	AVCC 2
23	Y	M-RLY
24	L	CAN-L
25	BR	MOTOR R 2

Connector No.	E40
Connector Name	WIRE TO WIRE
Connector Type	SAA38MB-RS3-SHZ3



Terminal No.	Color of Wire	Signal Name [Specification]
1	L/Y	-
2	SHIELD	-
3	L/B	-
4	SHIELD	-
5	BR	-
7	G	-
8	W	-
9	W	-
10	Y	-
11	P	-
12	SB	-
13	L	-
14	G	-
15	BG	-
16	BR	-
17	P	-
18	Y	-

19	BG	-
20	B	-
21	SB	-
22	W	-
23	L	-
24	GR	-
25	V	-
27	GR	-
28	V	-
29	P	-
30	R	-
31	BR	-
32	Y	-
33	G	-
34	BG	-
37	SHIELD	-
38	L	-
39	P	-
40	R	-
41	W	-
42	LG	-
43	G	-
45	GR	-
46	SHIELD	-
47	W	-
48	BR	-
49	G	-
50	B	-
51	SB	-
52	R	-

A  
B  
C  
D  
E  
F  
G  
H  
I  
J  
K  
L  
N  
O  
P

PG

# POWER SUPPLY ROUTING CIRCUIT

< DTC/CIRCUIT DIAGNOSIS >

[POWER SUPPLY & GROUND CIRCUIT]

## BATTERY POWER SUPPLY FUSE No. 50

Connector No.	E106
Connector Name	WIRE TO WIRE
Connector Type	TH80YW-CS16-TM4



Terminal No.	Color of Wire	Signal Name [Specification]
1	V	
2	SB	
3	EG	
5	W	
6	P	
7	L	
11	V	
12	P	
13	R	
14	W	
15	L	
16	GR	
17	SB	
18	LG	
28	G	
31	L	
32	EG	
33	P	
34	V	
35	W	
36	EG	
37	G	
38	R	
40	R	
41	LG	
42	SB	
43	G	
44	LG	
45	GR	
46	BR	
47	B	
48	Y	
49	V	
50	R	
51	SB	
52	P	
53	G	
54	B	

57	GR	
58	V	
60	R	
61	P	
62	G	
63	V	
64	L	
65	W	
66	GR	
67	LG	
68	L	
69	BR	
91	W	
92	LG	
93	GR	
94	SB	
95	GR	
96	R	
97	Y	
98	SHIELD	
99	L	
100	P	

Connector No.	F7
Connector Name	EVAP CANISTER PURGE VOLUME CONTROL SOLENOID VALVE
Connector Type	E02FL-RS-LGY



Terminal No.	Color of Wire	Signal Name [Specification]
1	R	
2	GR	

Connector No.	F8
Connector Name	CONDENSER
Connector Type	M02FW-LC



Terminal No.	Color of Wire	Signal Name [Specification]
1	W	
2	B	

Connector No.	F11
Connector Name	IGNITION COIL No. 1 (WITH POWER TRANSISTOR)
Connector Type	E03FGY-RS



Terminal No.	Color of Wire	Signal Name [Specification]
1	Y	
2	B	
3	W	

Connector No.	F12
Connector Name	IGNITION COIL No. 2 (WITH POWER TRANSISTOR)
Connector Type	E03FGY-RS



Terminal No.	Color of Wire	Signal Name [Specification]
1	G	

2	B	
3	W	

Connector No.	F13
Connector Name	IGNITION COIL No. 3 (WITH POWER TRANSISTOR)
Connector Type	E03FGY-RS



Terminal No.	Color of Wire	Signal Name [Specification]
1	L	
2	B	
3	W	

Connector No.	F14
Connector Name	IGNITION COIL No. 4 (WITH POWER TRANSISTOR)
Connector Type	E03FGY-RS



Terminal No.	Color of Wire	Signal Name [Specification]
1	GR	
2	B	
3	W	

JCMWM5841G

# POWER SUPPLY ROUTING CIRCUIT

[POWER SUPPLY & GROUND CIRCUIT]

< DTC/CIRCUIT DIAGNOSIS >

## BATTERY POWER SUPPLY FUSE No. 50

Connector No.	F15
Connector Name	IGNITION COIL No. 5 (WITH POWER TRANSISTOR)
Connector Type	E03FCY-RS



Terminal No.	Color of Wire	Signal Name [Specification]
1	V	-
2	B	-
3	W	-

Connector No.	F16
Connector Name	IGNITION COIL No. 6 (WITH POWER TRANSISTOR)
Connector Type	E03FCY-RS



Terminal No.	Color of Wire	Signal Name [Specification]
1	SB	-
2	B	-
3	W	-

Connector No.	F28
Connector Name	INTAKE VALVE TIMING CONTROL SOLENOID VALVE (BANK 2)
Connector Type	E02PFC-RS-LGY



Terminal No.	Color of Wire	Signal Name [Specification]
1	B	-
2	P	-
3	SB	-
4	LG	-
5	Y	-

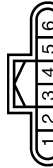
1	W
2	R

Connector No.	F29
Connector Name	INTAKE VALVE TIMING CONTROL SOLENOID VALVE (BANK 2)
Connector Type	E02PFC-RS-LGY



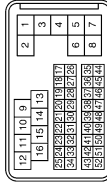
Terminal No.	Color of Wire	Signal Name [Specification]
1	G	-
2	R	-

Connector No.	F31
Connector Name	MASS AIR FLOW SENSOR (BANK 1)
Connector Type	PH06FB



Terminal No.	Color of Wire	Signal Name [Specification]
1	B	-
2	P	-
3	SB	-
4	LG	-
5	Y	-

Connector No.	F39
Connector Name	WIRE TO WIRE
Connector Type	SA038FB-RSS-S1Z8



Terminal No.	Color of Wire	Signal Name [Specification]
1	L/Y	-
2	SHIELD	-
3	L/B	-
4	SHIELD	-
5	BR	-
7	G	-
8	W	-
9	W	-
10	G	-
11	R	-
12	P	-
13	L	-
14	LG	-
15	R	-
16	Y	-
17	W	-
18	LG	-
19	P	-
20	O	-
21	Y	-
22	G	-
23	V	-
24	LG	-
25	V	-
27	GR	-
28	BR	-
29	L	-
30	R	-
31	P	-
32	W	-
33	SB	-
34	O	-
37	SHIELD	-
38	W	-
39	Y	-
40	G	-
41	B	-
42	GR	-

43	R	-
45	O	-
46	SHIELD	-
47	W/L	-
48	LG	-
49	O/L	-
50	L/Y	-
51	W	-
52	L/G	-

Connector No.	F42
Connector Name	MASS AIR FLOW SENSOR (BANK 2)
Connector Type	PH06FB



Terminal No.	Color of Wire	Signal Name [Specification]
3	BR	-
4	Y	-
5	GR	-

A  
B  
C  
D  
E  
F  
G  
H  
I  
J  
K  
L  
PG  
N  
O  
P

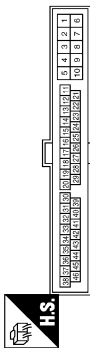
# POWER SUPPLY ROUTING CIRCUIT

< DTC/CIRCUIT DIAGNOSIS >

[POWER SUPPLY & GROUND CIRCUIT]

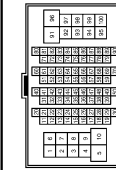
## BATTERY POWER SUPPLY FUSE No. 50

Connector No.	F103
Connector Name	WIRE TO WIRE
Connector Type	TK26FW-AS10



Terminal No.	Color of Wire	Signal Name [Specification]
1	G	
2	G	
3	W	
4	R	
5	B	
6	Y	
7	O	
8	GR	
9	O	
10	GR	
11	O	
12	Y	
13	B	
14	P	
15	LG	
16	R	
17	R	
18	R	
19	R	
20	R	
21	R	
22	R	
23	R	
24	R	
25	R	
26	R	
27	R	
28	R	
29	R	
30	R	
31	R	
32	R	
33	B	
34	B	
35	L	
36	P	
37	Y	
38	G	
39	G	
40	O	
41	O	
42	BR	
43	P	
44	L	
45	G	
46	V	

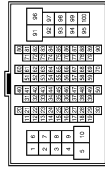
Connector No.	M6
Connector Name	WIRE TO WIRE
Connector Type	THR0MW-CS16-TM4



Terminal No.	Color of Wire	Signal Name [Specification]
1	W	
2	GR	
3	R	
4	W	
5	P	
6	P	
7	L	
8	V	
9	P	
10	P	
11	V	
12	P	
13	R	
14	W	
15	L	
16	GR	
17	BR	
18	L	
19	L	
20	G	
21	L	
22	Y	
23	BG	
24	W	
25	BR	
26	P	
27	P	
28	G	
29	G	
30	V	
31	LG	
32	R	
33	R	
34	R	
35	R	
36	R	
37	R	
38	R	
39	R	
40	V	
41	LG	
42	R	
43	G	
44	G	
45	B	
46	R	
47	BG	
48	L	
49	Y	
50	R	
51	R	
52	W	
53	G	
54	B	
55	B	
56	LG	
57	B	
58	LG	
59	LG	
60	SB	
61	B	
62	V	
63	W	
64	W	
65	W	
66	W	
67	W	
68	W	
69	W	
70	W	
71	W	
72	W	
73	W	
74	W	
75	W	
76	W	
77	W	
78	W	
79	W	
80	W	
81	W	
82	W	
83	W	
84	W	
85	W	
86	W	
87	W	
88	G	

89	R	
90	W	
91	Y	
92	Y	
93	BG	
94	L	
95	Y	
96	R	
97	LG	
98	SHIELD	
99	V	
100	SB	

Connector No.	M7
Connector Name	WIRE TO WIRE
Connector Type	THR0MW-CS16-TM4



Terminal No.	Color of Wire	Signal Name [Specification]
1	GR	
2	P	
3	SB	
4	P	
5	P	
6	L	
7	L	
8	L	
9	Y	
10	Y	
11	Y	
12	Y	
13	Y	
14	Y	
15	Y	
16	RR	
17	P	
18	V	
19	L	
20	L	
21	P	
22	L	
23	P	
24	V	
25	LG	
26	BR	
27	BG	
28	LG	
29	V	
30	V	
31	V	
32	LG	
33	SHIELD	
34	GR	

35	BR	
36	Y	
37	SHIELD	
38	SB	
39	LG	
40	O	
41	W	
42	SHIELD	
43	R	
44	G	
45	SHIELD	
46	SB	
47	W	
48	W	
49	W	
50	W	
51	W	
52	W	
53	W	
54	W	
55	W	
56	B	
57	V	
58	V	
59	Y	
60	Y	
61	W	
62	R	
63	G	
64	B	
65	SHIELD	
66	V	
67	P	
68	P	
69	P	
70	P	
71	V	
72	P	
73	SB	
74	V	
75	V	
76	V	
77	V	
78	V	
79	V	
80	V	
81	W	
82	BR	
83	LG	
84	LG	
85	BG	
86	SB	
87	G	
88	GR	
89	L	
90	P	
91	PG	
92	P	
93	P	
94	P	
95	PG	
96	Y	
97	Y	
98	Y	
99	Y	
100	P	

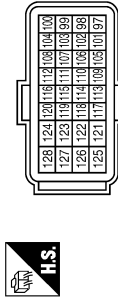
# POWER SUPPLY ROUTING CIRCUIT

< DTC/CIRCUIT DIAGNOSIS >

[POWER SUPPLY & GROUND CIRCUIT]

## BATTERY POWER SUPPLY FUSE No. 50

Connector No.	M107
Connector Name	ECM
Connector Type	RH24FGY-R28-R-LH-Z



Connector No.	M116
Connector Name	WIRE TO WIRE
Connector Type	TK38MP-NS10



Terminal No.	Color of Wire	Signal Name [Specification]
97	R	APS 1
98	P	APS 2
99	L	AVCC-APS 1
100	W	GND-APS 1
101	SB	ASCSW
102	LG	FTPRS
103	GR	AVCC-APS 2
104	V	GND-APS 2
105	L	PDPRESS
106	W	TF
107	GR	AVCC-FTPRS
108	Y	GND-ASCD
109	G	NEUT-H
110	R	TACHO
112	V	GND-A
113	P	VEHCAN-L 1
114	L	VEHCAN-H 1
117	V	KLINE
121	LG	CDOV
122	P	BRAKE
123	B	GND
124	B	GND
125	R	VBR
126	BR	BNG-SW
127	B	GND
128	B	GND

Terminal No.	Color of Wire	Signal Name [Specification]
2	W	-
3	BG	-
4	P	-
5	B	-
9	R	-
10	R	-
19	BG	-
20	Y	-
28	B	-
29	LG	-
30	LG	-
31	W	-
33	B	-
34	B	-
35	L	-
36	P	-
37	R	-
38	SB	-
41	BG	-
42	G	-
43	P	-
44	L	-
45	Y	-
46	SB	-

A  
B  
C  
D  
E  
F  
G  
H  
I  
J  
K  
L  
PG  
N  
O  
P

# POWER SUPPLY ROUTING CIRCUIT

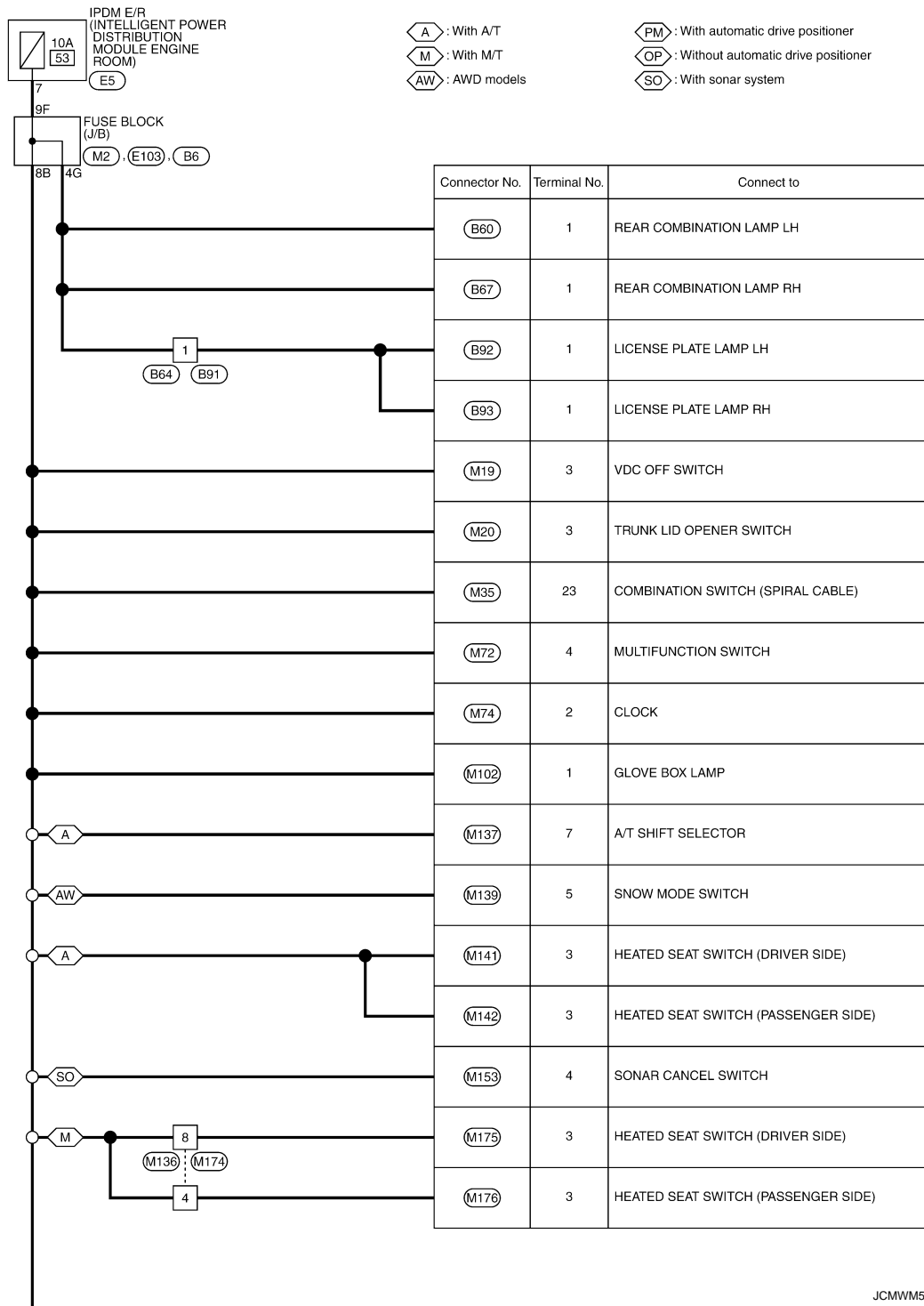
< DTC/CIRCUIT DIAGNOSIS >

[POWER SUPPLY & GROUND CIRCUIT]

## Wiring Diagram - BATTERY POWER SUPPLY FUSE No. 53 -

INFOID:000000005623695

### BATTERY POWER SUPPLY FUSE No. 53

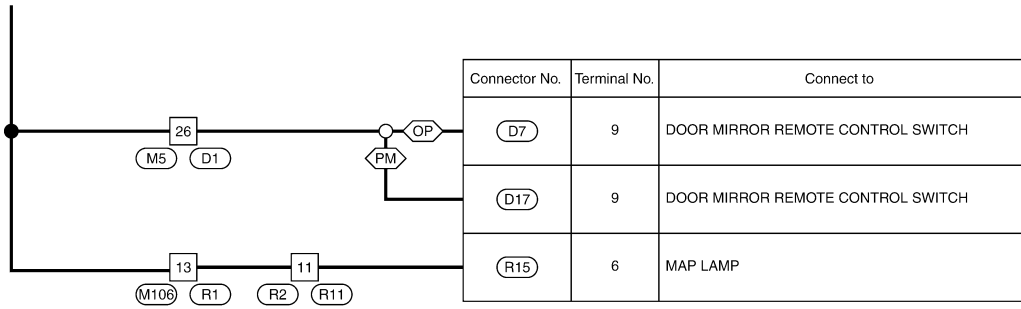


JCMWM5845G

# POWER SUPPLY ROUTING CIRCUIT

< DTC/CIRCUIT DIAGNOSIS >

[POWER SUPPLY & GROUND CIRCUIT]



A  
B  
C  
D  
E  
F  
G  
H  
I  
J  
K  
L  
PG  
N  
O  
P

2009/10/30

JCMWM5846G

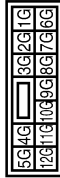
# POWER SUPPLY ROUTING CIRCUIT

< DTC/CIRCUIT DIAGNOSIS >

[POWER SUPPLY & GROUND CIRCUIT]

## BATTERY POWER SUPPLY FUSE No. 53

Connector No.	B6
Connector Name	FUSE BLOCK (J/B)
Connector Type	NS12FB-CS



Terminal No.	Color of Wire	Signal Name [Specification]
4G	R	-
5G	LG	-
10G	W	-
11G	W	-
12G	Y	-

Connector No.	B60
Connector Name	REAR COMBINATION LAMP LH
Connector Type	NS04FW-CS



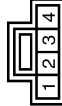
Terminal No.	Color of Wire	Signal Name [Specification]
1	V	-
2	LG	-
3	SB	-
4	B	-

Connector No.	B64
Connector Name	WIRE TO WIRE
Connector Type	RK02FGY



Terminal No.	Color of Wire	Signal Name [Specification]
1	R	-
2	B	-

Connector No.	B67
Connector Name	REAR COMBINATION LAMP RH
Connector Type	NS04FW-CS



Terminal No.	Color of Wire	Signal Name [Specification]
1	R	-
2	LG	-
3	V	-
4	B	-

Connector No.	B91
Connector Name	WIRE TO WIRE
Connector Type	RK02MGY



Terminal No.	Color of Wire	Signal Name [Specification]
2	1	-

1	-	-
2	-	-

Connector No.	B92
Connector Name	LICENSE PLATE LAMP LH
Connector Type	RV02FBR



Terminal No.	Color of Wire	Signal Name [Specification]
1	G	-
2	B	-

Connector No.	B93
Connector Name	LICENSE PLATE LAMP RH
Connector Type	RV02FBR



Terminal No.	Color of Wire	Signal Name [Specification]
1	G	-
2	B	-

JCMWM5847G



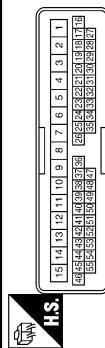
# POWER SUPPLY ROUTING CIRCUIT

[POWER SUPPLY & GROUND CIRCUIT]

< DTC/CIRCUIT DIAGNOSIS >

## BATTERY POWER SUPPLY FUSE No. 53

Connector No.	D1
Connector Name	WIRE TO WIRE
Connector Type	TH40PW-CS15



Terminal No.	Color of Wire	Signal Name [Specification]
1	Y	-
2	B	-
3	SB	-
4	V	-
5	Y	-
6	P	-
7	B	-
8	LG	-
9	W	-
10	GR	-
11	L	-
12	W	-
13	G	-
14	R	-
15	GR	-
16	GR	-
17	L	-
18	BR	-
19	BG	-
20	P	-
21	R	-
22	V	-
23	R	-
24	BR	-
25	W	-
26	Y	-
27	G	-
28	LG	-
29	GR	-
30	B	-
31	W	-
32	P	-
33	BR	-
34	G	-
35	GR	-
36	BG	-
37	BR	-
38	GR	-
39	BR	-
40	G	-
41	GR	-
42	BG	-
43	GR	-
44	BG	-
45	GR	-
46	R	-
47	V	-
48	R	-
49	SB	-
50	W	-
51	P	-

Connector No.	52
Connector Name	V

Connector No.	D7
Connector Name	DOOR MIRROR REMOTE CONTROL SWITCH
Connector Type	TK18FW



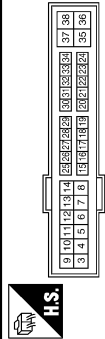
Terminal No.	Color of Wire	Signal Name [Specification]
1	B	-
2	Y	-
3	B	-
4	R	-
5	Y	-
6	B	-
7	LG	-
8	GR	-
9	GR	-
10	GR	-
11	BG	-
12	BG	-
13	BG	-
14	BG	-
15	BG	-
16	BG	-

Connector No.	D17
Connector Name	DOOR MIRROR REMOTE CONTROL SWITCH
Connector Type	TK18FBR



Terminal No.	Color of Wire	Signal Name [Specification]
4	BR	-
7	B	-
8	B	-
9	R	-
10	GR	-
11	LG	-
12	G	-
13	W	-
14	W	-
15	Y	-

Connector No.	E5
Connector Name	SMALL INTELLIGENT POWER DISTRIBUTION MODULE ENGINE ROOM
Connector Type	TH20PW-CS12-M4-1V



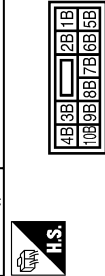
Terminal No.	Color of Wire	Signal Name [Specification]
4	V	-
5	L	-
6	SB	-
7	P	-
8	W	-
9	W	-
10	BW	-
11	Y	-
12	LG	-
13	Y	-
14	R	-
15	G	-
16	Y	-
17	BG	-
18	L	-
19	GR	-
20	P	-
21	G	-
22	BG	-
23	BG	-
24	GR	-
25	P	-
26	G	-
27	G	-
28	L	-
29	GR	-
30	GR	-
31	V	-
32	V	-
33	P	-
34	G	-
35	G	-
36	G	-

Connector No.	E103
Connector Name	FUSE BLOCK (J/B)
Connector Type	NS16FW-CS



Terminal No.	Color of Wire	Signal Name [Specification]
1F	SB	-
2F	W	-
4F	G	-
6F	BR	-
8F	L	-

Connector No.	9F
Connector Name	P



Terminal No.	Color of Wire	Signal Name [Specification]
1B	SB	-
3B	P	-
4B	G	-
5B	BG	-
6B	Y	-
7B	P	-
8B	R	-
9B	SB	-

A  
B  
C  
D  
E  
F  
G  
H  
I  
J  
K  
L  
PG  
N  
O  
P

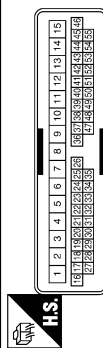
# POWER SUPPLY ROUTING CIRCUIT

[POWER SUPPLY & GROUND CIRCUIT]

< DTC/CIRCUIT DIAGNOSIS >

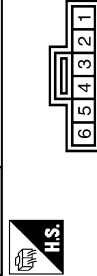
## BATTERY POWER SUPPLY FUSE No. 53

Connector No.	M5
Connector Name	WIRE TO WIRE
Connector Type	TH40MW-CS15



Terminal No.	51	LG	-
	52	V	-

Connector No.	M19
Connector Name	VDC OFF SWITCH
Connector Type	TK0BFGY



Terminal No.	Color of Wire	Signal Name [Specification]
1	R	-
2	B	-
3	SB	-
4	B	-

Connector No.	M20
Connector Name	TRUNK LID OPENER SWITCH
Connector Type	TK04FW



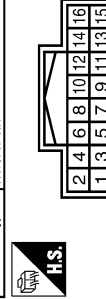
Terminal No.	Color of Wire	Signal Name [Specification]
1	GR	-
2	B	-
3	LG	-
4	R	-

Connector No.	M35
Connector Name	COMBINATION SWITCH (SPIRAL CABLE)
Connector Type	TK0BFF-EX-1V



Terminal No.	Color of Wire	Signal Name [Specification]
23	R	-
28	Y	-
29	Y	-
30	Y	-

Connector No.	M72
Connector Name	MULTIFUNCTION SWITCH
Connector Type	TH16FW-NH



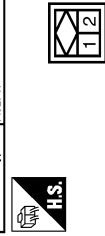
Terminal No.	Color of Wire	Signal Name [Specification]
1	B	GND
3	P	ACC
4	BG	ILL
5	B	ILL CONT
6	SB	AV COMM (H)
8	LG	AV COMM (L)
9	BR	SW GND
14	V	DISK EJECT SIGNAL
16	G	HAZARD ON

Connector No.	M74
Connector Name	CLOCK
Connector Type	TH04FW-NH



Terminal No.	Color of Wire	Signal Name [Specification]
1	B	ILLUMINATION (-)
2	L	ILLUMINATION (+)
3	B	GND
4	Y	BAT

Connector No.	M702
Connector Name	GLOVE BOX LAMP
Connector Type	A02FW



Terminal No.	Color of Wire	Signal Name [Specification]
1	R	-
2	B	-

JCMWMM5849G

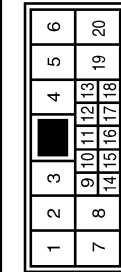
# POWER SUPPLY ROUTING CIRCUIT

< DTC/CIRCUIT DIAGNOSIS >

[POWER SUPPLY & GROUND CIRCUIT]

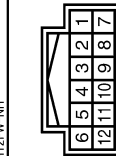
## BATTERY POWER SUPPLY FUSE No. 53

Connector No.	M106
Connector Name	WIRE TO WIRE
Connector Type	NH10MW-CS10



Terminal No.	Color of Wire	Signal Name [Specification]
1	L	-
2	SHIELD	-
3	G	-
4	BR	-
5	EG	-
6	Y	-
7	P	-
8	LG	-
9	V	-
10	B	-
11	R	-
12	R	-
13	R	-
14	R	-
15	R	-
16	G	-
17	SHIELD	-
18	B	-
19	Y	-
20	R	-

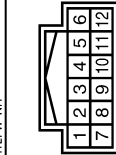
Connector No.	M138
Connector Name	WIRE TO WIRE
Connector Type	TH12PW-NH



Terminal No.	Color of Wire	Signal Name [Specification]
1	L	-
2	GR	-
3	G	-
4	V	-

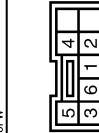
5	B	-
6	EG	-
7	B	-
8	R	-
9	B	-
10	LG	-
11	B	-
12	SB	-

Connector No.	M137
Connector Name	A/T SHIFT SELECTOR
Connector Type	TH12FW-NH



Terminal No.	Color of Wire	Signal Name [Specification]
1	W	-
2	V	-
3	L	-
4	B	-
5	G	-
6	Y	-
7	Y	-
8	B	-
9	LG	-
10	GR	-
11	R	-

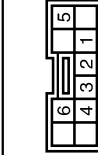
Connector No.	M139
Connector Name	SNOW MODE SWITCH
Connector Type	TK08FW



Terminal No.	Color of Wire	Signal Name [Specification]
1	R	-
2	GR	-

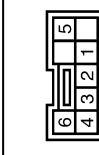
4	Y	-
5	P	-
6	B	-

Connector No.	M141
Connector Name	HEATED SEAT SWITCH (DRIVER SIDE)
Connector Type	TK10FW



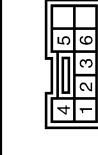
Terminal No.	Color of Wire	Signal Name [Specification]
1	L	-
2	GR	-
3	R	-
4	B	-
5	G	-
6	B	-

Connector No.	M142
Connector Name	HEATED SEAT SWITCH (PASSENGER SIDE)
Connector Type	TK08FBR



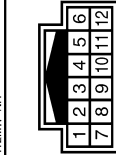
Terminal No.	Color of Wire	Signal Name [Specification]
1	LG	-
2	SB	-
3	V	-
4	B	-
5	BG	-
6	B	-

Connector No.	M153
Connector Name	SONAR CANCEL SWITCH
Connector Type	TK08FW



Terminal No.	Color of Wire	Signal Name [Specification]
1	SB	-
2	B	-
3	B	-
4	R	-
5	L	-
6	B	-

Connector No.	M174
Connector Name	WIRE TO WIRE
Connector Type	TH12MW-NH



Terminal No.	Color of Wire	Signal Name [Specification]
1	L	-
2	GR	-
3	W	-
4	R	-
5	W	-
6	W	-
7	B	-
8	R	-
9	W	-
10	GR	-
11	GR	-
12	SB	-

A  
B  
C  
D  
E  
F  
G  
H  
I  
J  
K  
L  
PG  
N  
O  
P

# POWER SUPPLY ROUTING CIRCUIT

< DTC/CIRCUIT DIAGNOSIS >

[POWER SUPPLY & GROUND CIRCUIT]

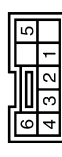
## BATTERY POWER SUPPLY FUSE No. 53

Connector No.	M175
Connector Name	HEATED SEAT SWITCH (DRIVER SIDE)
Connector Type	TK0DFW



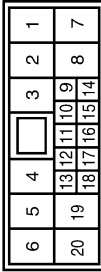
Terminal No.	Color of Wire	Signal Name [Specification]
1	L	-
2	GR	-
3	R	-
4	W	-
5	W	-
6	B	-

Connector No.	M176
Connector Name	HEATED SEAT SWITCH (PASSENGER SIDE)
Connector Type	TK08FB



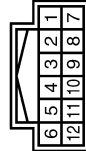
Terminal No.	Color of Wire	Signal Name [Specification]
1	GR	-
2	SB	-
3	R	-
4	W	-
5	W	-
6	GR	-

Connector No.	R1
Connector Name	WIRE TO WIRE
Connector Type	TH10FY-CSS10



Terminal No.	Color of Wire	Signal Name [Specification]
2	L	-
3	SHIELD	-
4	G	-
5	BR	-
6	Y	-
7	GR	-
8	BR	-
9	R	-
10	V	-
11	B	-
12	B	-
13	Y	-
14	R	-
15	R	-
16	G	-
17	SHIELD	-
18	B	-
19	Y	-
20	R	-

Connector No.	R2
Connector Name	WIRE TO WIRE
Connector Type	TH12FPI-NH

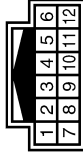


Terminal No.	Color of Wire	Signal Name [Specification]
1	B	-
2	B	-
3	SHIELD	-
4	R	-

3	B	-
4	-	-
5	B	-
6	Y	-

5	G	-
6	B	-
7	P	-
8	GR	-
9	V	-
11	Y	-
12	R	-

Connector No.	R11
Connector Name	WIRE TO WIRE
Connector Type	TH12MW-NH



Terminal No.	Color of Wire	Signal Name [Specification]
1	B	-
2	B	-
3	SHIELD	-
4	R	-
5	G	-
6	B	-
7	P	-
8	GR	-
9	V	-
11	Y	-
12	R	-

Connector No.	R15
Connector Name	MAP LAMP
Connector Type	TK08FGY



Terminal No.	Color of Wire	Signal Name [Specification]
1	R	-
2	V	-

# POWER SUPPLY ROUTING CIRCUIT

< DTC/CIRCUIT DIAGNOSIS >

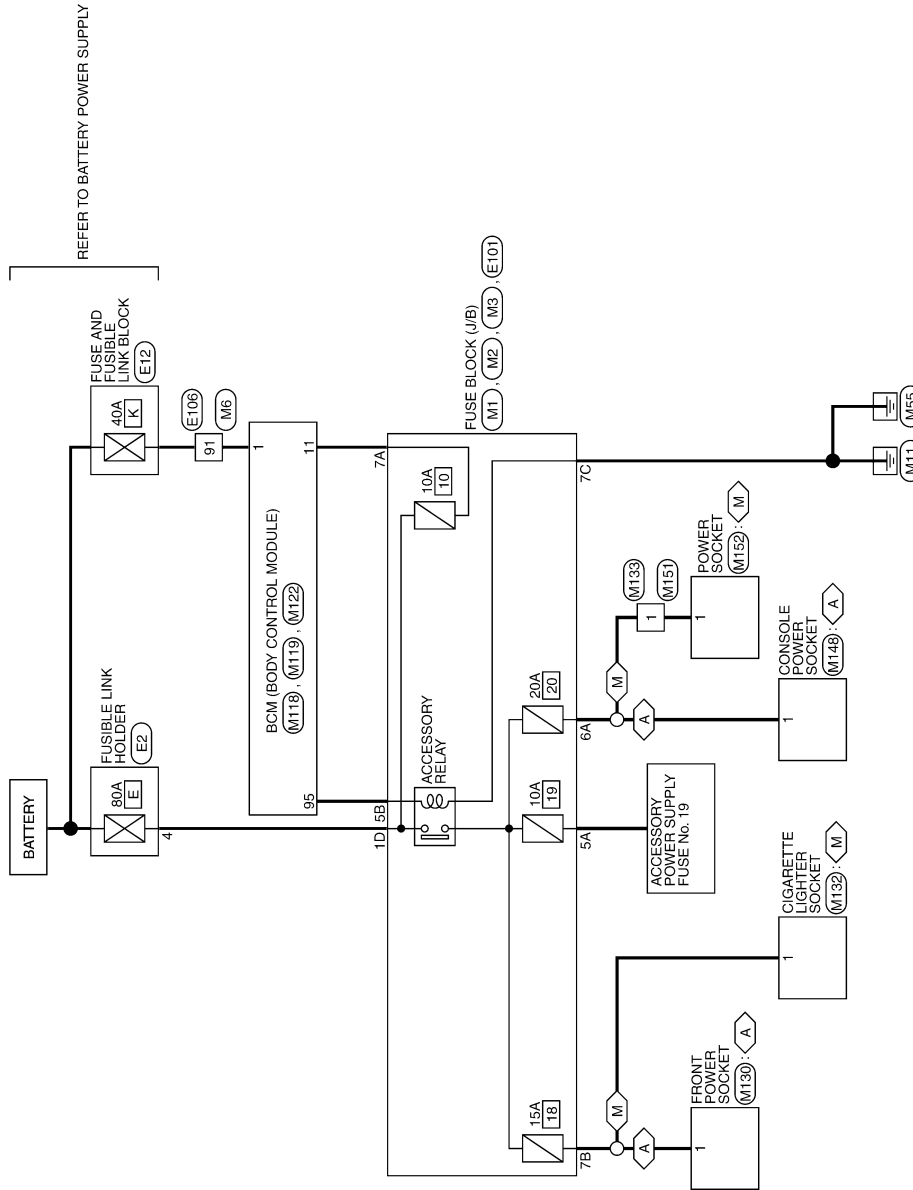
[POWER SUPPLY & GROUND CIRCUIT]

## Wiring Diagram - ACCESSORY POWER SUPPLY -

INFOID:000000005623696

### ACCESSORY POWER SUPPLY

◊ A ◊ : With A/T  
 ◊ M ◊ : With M/T



2098/10/30

JCMWM5852G1

A  
B  
C  
D  
E  
F  
G  
H  
I  
J  
K  
L  
M  
N  
O  
P

PG

# POWER SUPPLY ROUTING CIRCUIT

< DTC/CIRCUIT DIAGNOSIS >

[POWER SUPPLY & GROUND CIRCUIT]

## ACCESSORY POWER SUPPLY

Connector No.	E2
Connector Name	FUSIBLE LINK HOLDER
Connector Type	LOFGY-MC



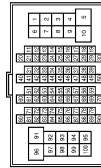
Terminal No.	Color of Wire	Signal Name [Specification]
3	L	-
4	R	-

Connector No.	E101
Connector Name	FUSE BLOCK (J/B)
Connector Type	LOFPW-MC



Terminal No.	Color of Wire	Signal Name [Specification]
1D	R	-

Connector No.	E108
Connector Name	WIRE TO WIRE
Connector Type	TH80PW-CS16-TM4



Terminal No.	Color of Wire	Signal Name [Specification]
1	V	-
2	SB	-
3	BG	-

5	W	-
6	P	-
7	L	-
11	V	-
12	P	-
13	R	-
14	W	-
15	L	-
16	GR	-
17	SB	-
18	LG	-
29	G	-
31	L	-
32	BG	-
33	P	-
34	V	-
35	W	-
36	BG	-
37	G	-
38	R	-
40	R	-
41	LG	-
42	SB	-
43	G	-
44	LG	-
45	GR	-
46	BR	-
47	B	-
48	Y	-
49	V	-
50	R	-
51	SB	-
52	P	-
53	G	-
54	B	-
57	GR	-
58	V	-
60	R	-
81	P	-
82	G	-
83	V	-
84	L	-
85	W	-
86	GR	-
87	LG	-
88	L	-
89	BR	-
91	W	-
92	LG	-
93	GR	-
94	SB	-
95	GR	-

96	R	-
97	Y	-
98	SHIELD	-
99	E	-
100	P	-

Connector No.	M1
Connector Name	FUSE BLOCK (J/B)
Connector Type	NS08FW-M2



Terminal No.	Color of Wire	Signal Name [Specification]
1A	V	-
2A	G	-
3A	L	-
4A	P	-
5A	L	-
6A	Y	-
7A	R	-
8A	L	-

Connector No.	M2
Connector Name	FUSE BLOCK (J/B)
Connector Type	NS10FW-CS



Terminal No.	Color of Wire	Signal Name [Specification]
1B	SB	-
3B	P	-
4B	G	-
5B	BG	-
6B	Y	-
7B	P	-
9B	R	-

9B	SB	-
----	----	---



Terminal No.	Color of Wire	Signal Name [Specification]
6C	SB	-
7C	B	-
8C	W	-
9C	BG	-
10C	L	-
11C	LG	-
12C	G	-

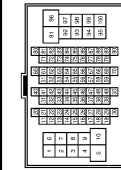
# POWER SUPPLY ROUTING CIRCUIT

< DTC/CIRCUIT DIAGNOSIS >

[POWER SUPPLY & GROUND CIRCUIT]

## ACCESSORY POWER SUPPLY

Connector No.	M8
Connector Name	WIRE TO WIRE
Connector Type	TH80MW-CS (E-TM4)



Terminal No.	Color of Wire	Signal Name [Specification]
1	W	
2	GR	
3	R	
5	P	
6	P	
7	L	
11	V	
12	P	
13	R	
14	W	
15	L	
16	GR	
17	BR	
18	L	
29	G	
31	L	
32	Y	
33	EG	
34	W	
35	BR	
36	P	
37	P	
38	G	
40	V	
41	LG	
42	R	
43	G	
44	G	
45	B	- [With A/T]
46	EG	- [With M/T]
47	SB	
48	Y	
49	L	
50	R	
51	R	
52	W	
53	G	

54	B	-
57	B	-
58	LG	-
60	SB	-
81	B	-
82	V	-
83	W	-
84	L	-
85	GR	-
86	Y	-
87	G	-
88	G	-
89	R	-
91	W	-
92	Y	-
93	EG	-
94	L	-
95	Y	-
96	R	-
97	LG	-
98	SHIELD	-
99	V	-
100	SB	-

Connector No.	M118
Connector Name	BCM (BODY CONTROL MODULE)
Connector Type	M03FB-LC



Terminal No.	Color of Wire	Signal Name [Specification]
1	W	BAT (F/L)
2	Y	POWER WINDOW POWER SUPPLY (BAT)
3	EG	POWER WINDOW POWER SUPPLY (RAP)

Connector No.	M119
Connector Name	BCM (BODY CONTROL MODULE)
Connector Type	M518FN-CS



Terminal No.	Color of Wire	Signal Name [Specification]
4	LG	INTERIOR ROOM LAMP POWER SUPPLY
5	P	PASSENGER DOOR UNLOCK OUTPUT
7	SB	STEP LAMP OUTPUT
8	V	ALL DOOR FUEL LID LOCK OUTPUT
9	G	DRIVER DOOR FUEL LID UNLOCK OUTPUT
10	P	REAR DOOR UNLOCK OUTPUT
11	R	BAT (FUSE)
13	B	GND
14	W	PUSH-BUTTON IGNITION SW ILL GND
15	BG	ACC IND
17	W	TURN SIGNAL RH (FRONT)
18	BG	TURN SIGNAL LH (FRONT)
19	V	ROOM LAMP TIMER CONTROL

Connector No.	M122
Connector Name	BCM (BODY CONTROL MODULE)
Connector Type	TH40FB-NH



Terminal No.	Color of Wire	Signal Name [Specification]
72	R	ROOM ANT 2-
73	G	ROOM ANT 2+
74	SB	PASSENGER DOOR ANT-
75	BR	PASSENGER DOOR ANT+
76	V	DRIVER DOOR ANT-
77	LG	DRIVER DOOR ANT+
78	Y	ROOM ANT 1-
79	BR	ROOM ANT 1+
80	GR	NATS ANT AMP.

81	W	IMATS ANT AMP
82	SB	IGN RELAY (F/B) CONT
83	Y	KEYLESS ENTRY RECEIVER COMM
87	Y	COMBI SW INPUT 3
88	EG	COMBI SW INPUT 3
89	BR	PUSH SW
90	P	CAN-L
91	L	CAN-H
92	LG	KEY SLOT ILL
93	GR	ON IND
95	BG	ACC RELAY CONT
96	GR	A/T SHIFT SELECTOR POWER SUPPLY
97	L	S/L CONDITION 1
98	P	S/L CONDITION 2
99	R	SHIFT P (W/br A/T)
99	BR	IGC CLUTCH SW [With M/T and IGC]
99	BR	ASGD CLUTCH SW [With M/T without IGC]
100	Y	PASSENGER DOOR REQUEST SW
101	P	DRIVER DOOR REQUEST SW
102	EG	BL OVER FAN MOTOR RELAY CONT
103	P	KEYLESS ENTRY RECEIVER POWER SUPPLY
106	SB	S/L UNIT POWER SUPPLY
107	LG	COMBI SW INPUT 1
108	R	COMBI SW INPUT 4
109	W	COMBI SW INPUT 2
110	G	HAZARD SW
111	Y	S/L UNIT COMM

Connector No.	M130
Connector Name	FRONT POWER SOCKET
Connector Type	P02FB-Z



Terminal No.	Color of Wire	Signal Name [Specification]
1	P	
2	B	

A  
B  
C  
D  
E  
F  
G  
H  
I  
J  
K  
L  
PG  
N  
O  
P

# POWER SUPPLY ROUTING CIRCUIT

< DTC/CIRCUIT DIAGNOSIS >

[POWER SUPPLY & GROUND CIRCUIT]

## ACCESSORY POWER SUPPLY

Connector No.	M132
Connector Name	CIGARETTE LIGHTER SOCKET
Connector Type	P02FE-Z



Terminal No.	Color of Wire	Signal Name [Specification]
1	P	-
2	B	-

Connector No.	M133
Connector Name	WIRE TO WIRE
Connector Type	M02FB-LC



Terminal No.	Color of Wire	Signal Name [Specification]
1	Y	-
2	B	-

Connector No.	M148
Connector Name	CONSOLE POWER SOCKET
Connector Type	P02FE-Z



Terminal No.	Color of Wire	Signal Name [Specification]
1	Y	-
2	B	-

Connector No.	M151
Connector Name	WIRE TO WIRE
Connector Type	M02MB-P-LC



Terminal No.	Color of Wire	Signal Name [Specification]
1	R	-
2	B	-

Connector No.	M152
Connector Name	POWER SOCKET
Connector Type	P02FB-Z



Terminal No.	Color of Wire	Signal Name [Specification]
1	R	-
2	B	-

JCMWM5855G



# POWER SUPPLY ROUTING CIRCUIT

< DTC/CIRCUIT DIAGNOSIS >

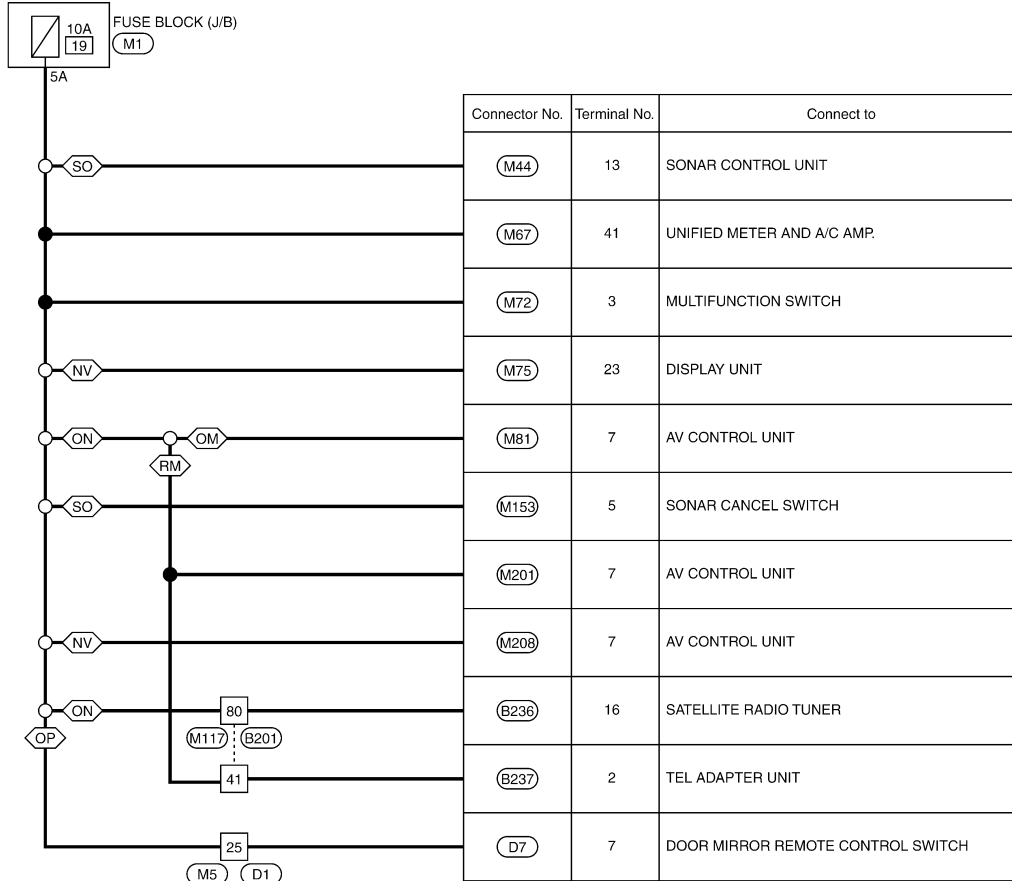
[POWER SUPPLY & GROUND CIRCUIT]

## Wiring Diagram - ACCESSORY POWER SUPPLY FUSE No. 19 -

INFOID:000000005623697

### ACCESSORY POWER SUPPLY FUSE No. 19

- : With NAVI
- : Without NAVI
- : With rear view monitor
- : Without rear view monitor
- : Without automatic drive positioner
- : With sonar system



2009/10/30

JCMWM5856G

A  
B  
C  
D  
E  
F  
G  
H  
I  
J  
K  
L  
N  
O  
P

PG

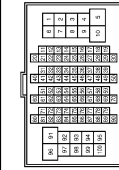
# POWER SUPPLY ROUTING CIRCUIT

< DTC/CIRCUIT DIAGNOSIS >

[POWER SUPPLY & GROUND CIRCUIT]

## ACCESSORY POWER SUPPLY FUSE No. 19

Connector No.	B201
Connector Name	WIRE TO WIRE
Connector Type	TH80FW-CS16-TM4



Terminal No.	Color of Wire	Signal Name [Specification]
1	BR	-
5	P	-
6	L	-
7	V	-
9	LG	-
10	L	-
31	L	-
32	P	-
33	G	-
34	R	-
40	GR	-
41	LG	-
42	BG	-
43	R	-
45	G	-
46	SHIELD	-
47	G	-
48	Y	-
49	SHIELD	-
50	W	-
71	R	-
72	V	-
80	BG	-
81	SHIELD	-
82	G	-
83	P	-
84	L	-
85	SHIELD	-
86	G	-
87	R	-
88	W	-
89	B	-
90	Y	-
91	V	-
92	W	-
93	BG	-
94	R	-
95	SB	-

96	G	-
97	GR	-
98	BR	-
99	P	-
100	L	-

Connector No.	B238
Connector Name	SATELLITE RADIO TUNER
Connector Type	A16FW



Terminal No.	Color of Wire	Signal Name [Specification]
1	G	SATELLITE RADIO SOUND SIGNAL LH (-)
2	R	SATELLITE RADIO SOUND SIGNAL LH (+)
3	W	SATELLITE RADIO SOUND SIGNAL RH (-)
4	B	SATELLITE RADIO SOUND SIGNAL RH (+)
5	SHIELD	-
6	SHIELD	-
8	G	REQUEST (SAT->CONT)
9	L	COMM (SAT->CONT)
10	P	COMM (CONT->SAT)
12	Y	BATTERY
16	BG	ACC

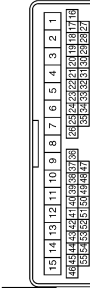
Connector No.	B237
Connector Name	TEL ADAPTER UNIT
Connector Type	TH32FW-NH



Terminal No.	Color of Wire	Signal Name [Specification]
1	GR	BATTERY
2	LG	ACC
3	BG	IGNITION
4	B	GND

5	SHIELD	SHIELD
7	R	MICROPHONE SIGNAL
8	SHIELD	MICROPHONE GND
9	V	TEL VOICE SIGNAL (+)
10	G	TEL VOICE SIGNAL (-)
14	B	GND
23	B	CONTROL SIGNAL
24	B	CONTROL SIGNAL
28	W	VEHICLE SPEED (8-PULSE)
29	G	MICROPHONE VCC

Connector No.	D1
Connector Name	WIRE TO WIRE
Connector Type	TH40FW-CS15



Terminal No.	Color of Wire	Signal Name [Specification]
1	Y	-
2	B	-
3	SB	-
4	V	-
8	L	-
9	P	-
10	LG	-
12	L	-
13	W	-
14	G	-
15	B	-
16	GR	-
17	L	-
18	BR	-
19	BG	-
20	P	-
21	R	-
25	V	-
26	R	-
27	BR	-
28	W	-
29	Y	-
30	G	-
31	LG	-
32	GR	-
33	B	-

36	W	-
37	P	-
38	V	-
39	BR	-
42	G	-
43	GR	-
44	BG	-
47	V	-
48	R	-
49	SB	-
50	W	-
51	P	-
52	V	-

Connector No.	D7
Connector Name	DOOR MIRROR REMOTE CONTROL SWITCH
Connector Type	TK16FW



Terminal No.	Color of Wire	Signal Name [Specification]
1	B	-
7	V	-
8	B	-
9	R	-
10	G	-
12	G	-
13	GR	-
14	GR	-
15	BG	-
16	BG	-

# POWER SUPPLY ROUTING CIRCUIT

< DTC/CIRCUIT DIAGNOSIS >

[POWER SUPPLY & GROUND CIRCUIT]

## ACCESSORY POWER SUPPLY FUSE No. 19

Connector No.	M1
Connector Name	FUSE BLOCK (J/B)
Connector Type	NS38FW-M2



3A	2A	1A
8A	7A	6A
5A	4A	

Terminal No.	Color of Wire	Signal Name [Specification]
1A	V	-
2A	G	-
3A	L	-
4A	P	-
5A	L	- [With automatic drive positioner]
6A	Y	- [Without automatic drive positioner]
7A	R	-
8A	L	-

Connector No.	M5
Connector Name	WIRE TO WIRE
Connector Type	TH40MW-CS15



1	2	3	4	5	6	7	8	9	10	11	12	13	14	15
16	17	18	19	20	21	22	23	24	25	26	27	28	29	30

Terminal No.	Color of Wire	Signal Name [Specification]
1	Y	-
2	B	-
3	BG	-
4	V	-
8	SB	-
9	G	-
10	V	-
12	L	-
13	W	-
14	B	-
15	W	-
16	R	-
17	BR	-
18	V	-

19	BG	-
20	P	-
21	W	-
23	Y	-
26	G	-
27	L	-
28	Y	-
29	G	-
30	SB	-
31	LG	-
32	W	-
33	B	-
36	W	-
37	GR	-
38	Y	-
39	B	-
42	Y	-
43	L	-
44	G	-
47	L	-
48	GR	-
49	SB	-
50	P	-
51	LG	-
52	V	-

Connector No.	M44
Connector Name	SONAR CONTROL UNIT
Connector Type	TH24FW-NH



1	2	3	4	5	6	7	8	9	10	11	12
13	14	15	16	17	18	19	20	21	22	23	24

Terminal No.	Color of Wire	Signal Name [Specification]
1	LG	IGN
2	SB	CANCEL SW SIGNAL
5	W	CORNER SENSOR SIGNAL REAR LH
6	Y	CORNER SENSOR SIGNAL REAR RH
7	G	CENTER SENSOR SIGNAL REAR LH
8	R	CENTER SENSOR SIGNAL REAR RH
11	B	CANCEL SW INDICATOR
12	B	SENSOR GND
13	GR	ACC
17	BG	R RANGE SIGNAL

18	V	K-LINE
19	SB	AV COMM (H)
20	LG	AV COMM (L)
24	B	GND

Connector No.	M67
Connector Name	UNIFIED METER AND A/C AMP
Connector Type	TH32FW-NH



41	42	43	44	45	46	47	48	49	50	51	52	53	54	55	56
57	58	59	60	61	62	63	64	65	66	67	68	69	70	71	72

Terminal No.	Color of Wire	Signal Name [Specification]
41	L	ACC POWER SUPPLY
42	BR	FUEL LEVEL SENSOR SIGNAL
43	BR	INTAKE SENSOR SIGNAL
44	LG	IN-VEHICLE SENSOR SIGNAL
45	V	AMBIENT SENSOR SIGNAL
46	Y	SUNLOAD SENSOR SIGNAL
47	G	GAS SENSOR SIGNAL
53	W	IGNITION POWER SUPPLY
54	SB	BATTERY POWER SUPPLY
55	B	GROUND
56	L	CAN-H
57	LG	BRAKE FLUID LEVEL SWITCH
58	Y	FUEL LEVEL SENSOR GROUND
59	GR	INTAKE SENSOR GROUND
60	W	IN-VEHICLE SENSOR GROUND
61	B	AMBIENT SENSOR GROUND
62	SB	SUNLOAD SENSOR GROUND
63	L	ION CONTROL MODE OUTPUT SIGNAL
65	BG	ECV SIGNAL
69	P	A/C LAN SIGNAL
70	R	EACH DOOR MOTOR POWER SUPPLY
71	GR	GROUND
72	P	CAN-L

Connector No.	M72
Connector Name	MULTIFUNCTION SWITCH
Connector Type	TH18FW-NH



2	4	6	8	10	12	14	16
1	3	5	7	9	11	13	15

Terminal No.	Color of Wire	Signal Name [Specification]
1	B	GND
3	P	ACC
4	BG	ILL
5	B	ILL CONT
6	SB	AV COMM (H)
8	LG	AV COMM (L)
9	BR	SW GND
14	V	DISK EJECT SIGNAL
16	G	HAZARD ON

Connector No.	M75
Connector Name	DISPLAY UNIT
Connector Type	TH24FW-NH



12	11	10	9	8	7	6	5	4	3	2	1
24	23	22	21	20	19	18	17	16	15	14	13

Terminal No.	Color of Wire	Signal Name [Specification]
6	SHIELD	SHIELD
7	B	SHIELD
8	G	CAMERA IMAGE SIGNAL
9	L	COMM (DISP->CONT)
10	LG	COMM (CONT->DISP)
11	Y	BATTERY
12	B	GND
18	L	COMPOSITE IMAGE SIGNAL
19	P	COMPOSITE IMAGE GND
22	B	SHIELD
23	LG	ACC

A B C D E F G H I J K L O P PG N

JCMW5858G1

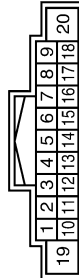
# POWER SUPPLY ROUTING CIRCUIT

< DTC/CIRCUIT DIAGNOSIS >

[POWER SUPPLY & GROUND CIRCUIT]

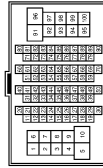
## ACCESSORY POWER SUPPLY FUSE No. 19

Connector No.	M81
Connector Name	AV CONTROL UNIT
Connector Type	TH18FW-CS2



Terminal No.	Color of Wire	Signal Name [Specification]
1	L	SOUND SIGNAL FRONT LH (+)
2	W	SOUND SIGNAL FRONT LH (-)
3	LG	SOUND SIGNAL REAR LH (+)
4	SB	SOUND SIGNAL REAR LH (-)
5	P	STRG SW A
6	V	ACC
7	Y	ILLUMINATION
8	L	SOUND SIGNAL FRONT RH (+)
9	BR	SOUND SIGNAL FRONT RH (-)
10	R	SOUND SIGNAL REAR RH (+)
11	L	SOUND SIGNAL REAR RH (-)
12	P	STRG SW GND
13	B	STRG SW B
14	Y	BATTERY
15	L	GND
16	B	GND
17	B	GND
18	B	GND
19	B	GND
20	B	GND

Connector No.	M117
Connector Name	WIRE TO WIRE
Connector Type	TH80MW-CS16-TM4



Terminal No.	Color of Wire	Signal Name [Specification]
1	LG	-
5	P	-
6	G	-
7	SB	-
9	LG	-
10	L	-
31	SB	-

32	LG	-
33	SB	-
34	LG	-
40	Y	-
41	G	-
42	LG	-
43	R	-
45	G	-
46	SHIELD	-
47	P	-
48	L	-
49	SHIELD	-
50	V	-
71	R	-
72	L	-
80	W	-
81	SHIELD	-
82	P	-
83	L	-
84	G	-
85	SHIELD	-
86	W	-
87	B	-
88	R	-
89	G	-
90	Y	-
91	V	-
92	BR	-
93	V	-
94	Y	-
95	G	-
96	G	-
97	R	-
98	BG	-
99	P	-
100	L	-

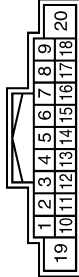
Connector No.	M153
Connector Name	SONAR CANCEL SWITCH
Connector Type	TK08FW



Terminal No.	Color of Wire	Signal Name [Specification]
4	-	-
5	-	-
1	-	-
2	-	-
3	-	-
6	-	-

1	SB	-
2	B	-
3	B	-
4	R	-
5	L	-
6	B	-

Connector No.	M201
Connector Name	AV CONTROL UNIT
Connector Type	TH18FW-CS2



Terminal No.	Color of Wire	Signal Name [Specification]
1	L	SOUND SIGNAL FRONT LH (+)
2	L	SOUND SIGNAL FRONT LH (-)
3	W	SOUND SIGNAL REAR LH (+)
4	LG	SOUND SIGNAL REAR LH (-)
5	SB	STRG SW A
6	P	ACC
7	V	ILLUMINATION
9	L	SOUND SIGNAL FRONT RH (+)
11	BR	SOUND SIGNAL FRONT RH (-)
12	R	SOUND SIGNAL REAR RH (+)
13	L	SOUND SIGNAL REAR RH (-)
14	P	STRG SW GND
15	B	STRG SW B
16	L	GND
18	G	GND
19	Y	BATTERY
20	B	GND

Connector No.	M208
Connector Name	AV CONTROL UNIT
Connector Type	TH18FW-CS2



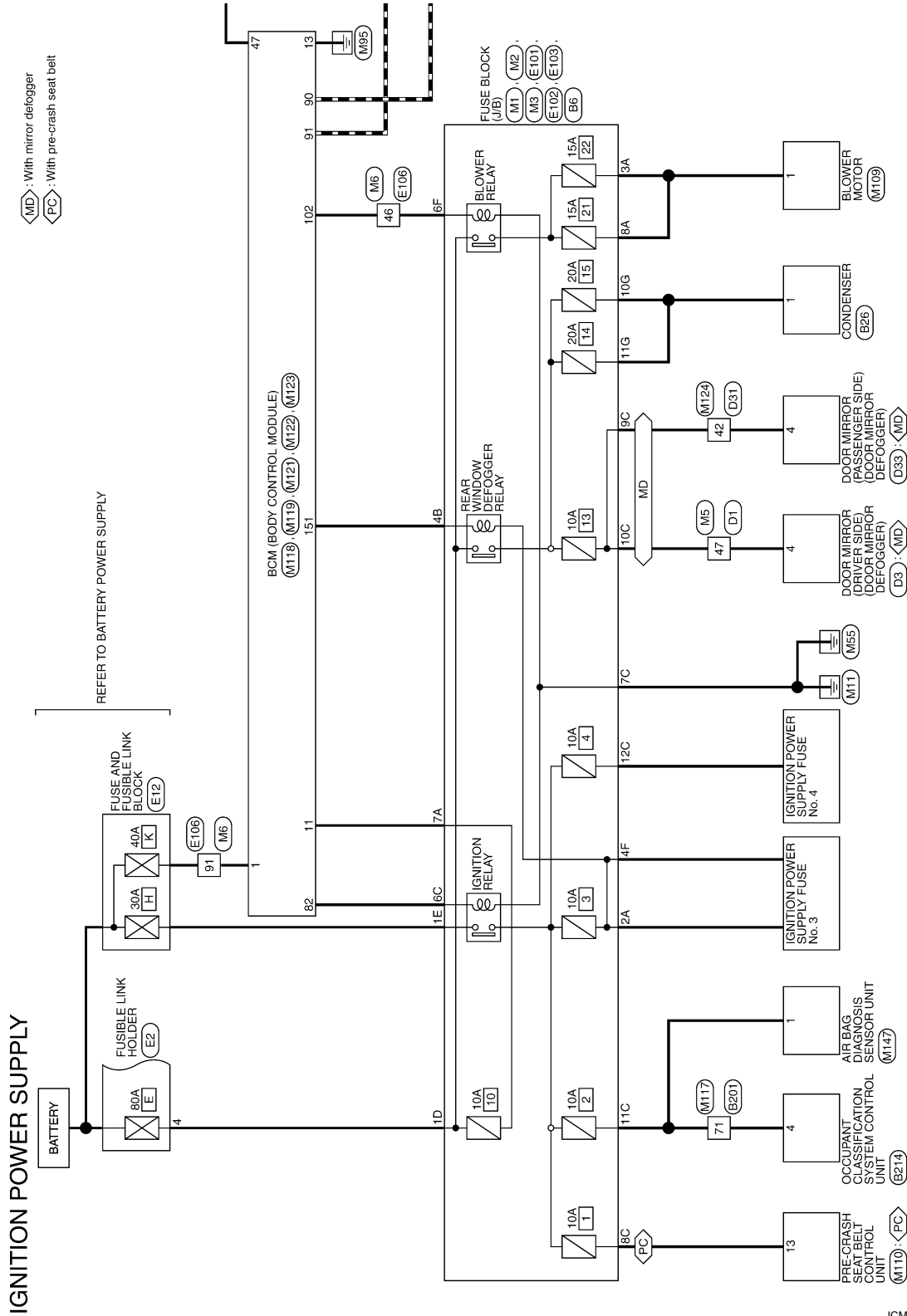
# POWER SUPPLY ROUTING CIRCUIT

[POWER SUPPLY & GROUND CIRCUIT]

< DTC/CIRCUIT DIAGNOSIS >

## Wiring Diagram - IGNITION POWER SUPPLY -

INFOID:000000005623698



MD : With mirror defogger  
PC : With pre-crash seat belt

REFER TO BATTERY POWER SUPPLY

IGNITION POWER SUPPLY

2009/10/30

JCMW5860G1

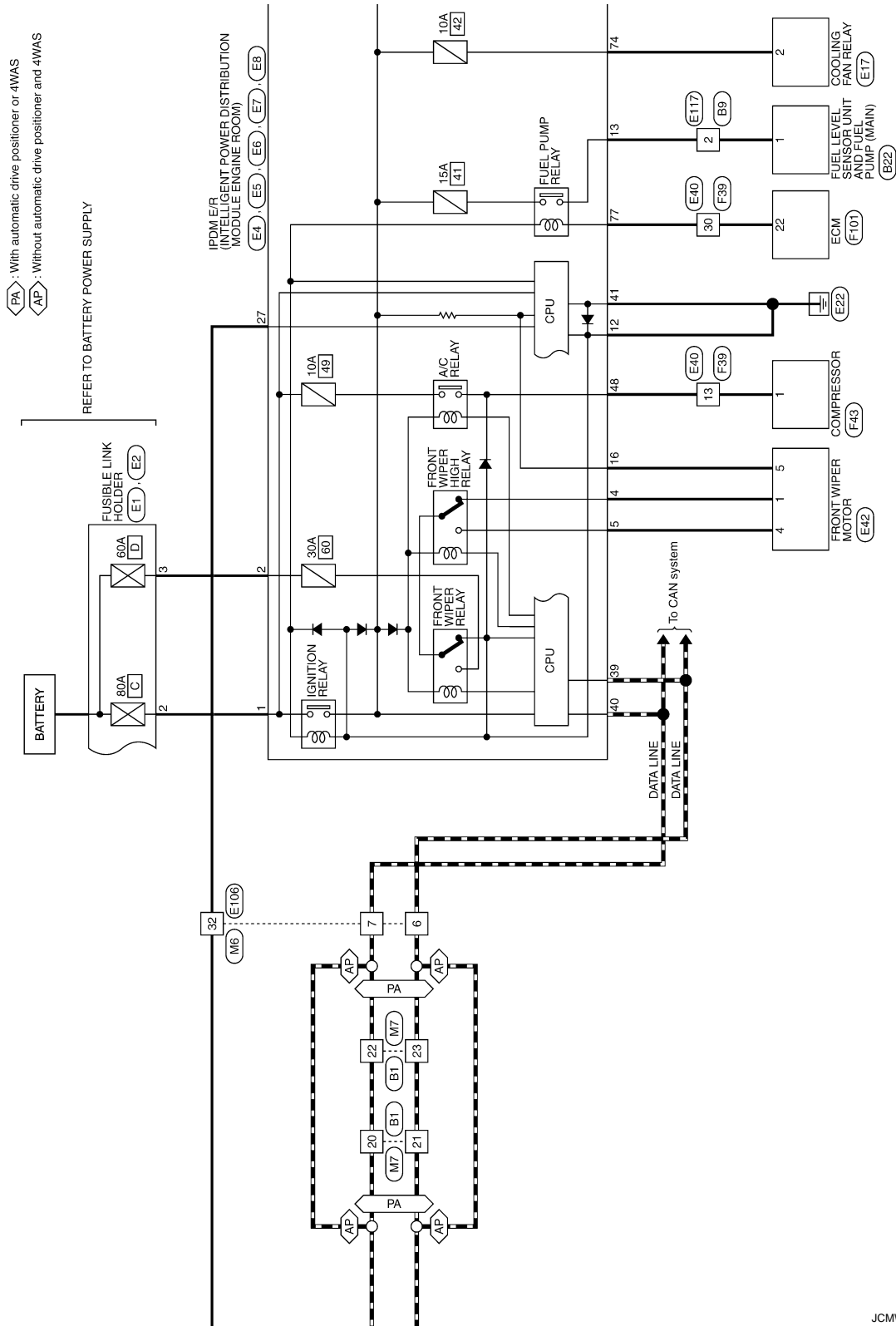
A  
B  
C  
D  
E  
F  
G  
H  
I  
J  
K  
L  
M  
N  
O  
P

PG

# POWER SUPPLY ROUTING CIRCUIT

< DTC/CIRCUIT DIAGNOSIS >

[POWER SUPPLY & GROUND CIRCUIT]



JCMWM5861G



# POWER SUPPLY ROUTING CIRCUIT

< DTC/CIRCUIT DIAGNOSIS >

[POWER SUPPLY & GROUND CIRCUIT]

## IGNITION POWER SUPPLY

Connector No.	B1
Connector Name	WIRE TO WIRE
Connector Type	TH80YW-CS16-TM4



Terminal No.	Color of Wire	Signal Name [Specification]
1	GR	-
2	BG	-
3	L	-
4	Y	-
6	R	-
8	W	-
9	V	-
15	Y	-
16	BR	-
17	LG	-
18	BG	-
20	L	-
21	P	-
22	L	-
23	P	-
24	V	-
25	SB	-
26	G	-
27	W	-
28	R	-
31	V	-
32	SB	-
33	SHIELD	-
34	W	-
35	BR	-
36	Y	-
37	SHIELD	-
38	Y	-
39	SB	-
40	P	-
41	L	-
42	SHIELD	-
43	R	-
44	G	-
45	SHIELD	-
46	SB	-
55	BR	-
56	R	-

58	V	-
59	SR	-
60	BR	-
61	W	-
62	R	-
63	L	-
64	Y	-
65	SHIELD	-
71	BG	-
72	GR	-
73	P	-
74	L	-
81	V	-
82	B	-
84	Y	-
85	G	-
86	W	-
87	R	-
88	BR	-
89	Y	-
90	SB	-
91	BG	-
92	BR	-
93	P	-
95	BG	-
96	Y	-
100	GR	-

Connector No.	B6
Connector Name	FUSE BLOCK (J/B)
Connector Type	NS1ZFBR-CS



Terminal No.	Color of Wire	Signal Name [Specification]
4G	R	-
5G	LG	-
10G	W	-
11G	W	-
12G	Y	-

Connector No.	B9
Connector Name	WIRE TO WIRE
Connector Type	M08FW-LC



Terminal No.	Color of Wire	Signal Name [Specification]
1	R	-
2	P	-
3	GR	-
4	LG	-
5	BR	-
6	BG	-

Connector No.	B22
Connector Name	FUEL LEVEL SENSOR UNIT AND FUEL PUMP (MAN)
Connector Type	E08FGY-RS



Terminal No.	Color of Wire	Signal Name [Specification]
1	P	-
2	W	-
3	B	-
4	V	-
5	Y	-

Connector No.	B26
Connector Name	CONDENSER
Connector Type	M01FW-LC



Terminal No.	Color of Wire	Signal Name [Specification]
1	Y	-

JCMWWM5863G



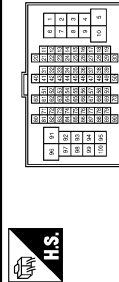
# POWER SUPPLY ROUTING CIRCUIT

< DTC/CIRCUIT DIAGNOSIS >

[POWER SUPPLY & GROUND CIRCUIT]

## IGNITION POWER SUPPLY

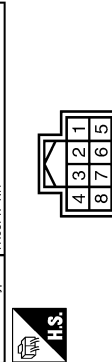
Connector No.	B201
Connector Name	WIRE TO WIRE
Connector Type	TH80FW-CS16-TM4



Terminal No.	Color of Wire	Signal Name [Specification]
1	BR	-
5	P	-
6	L	-
7	V	-
8	LG	-
10	L	-
31	L	-
32	P	-
33	G	-
34	R	-
40	GR	-
41	LG	-
42	BG	-
43	R	-
45	G	-
46	SHIELD	-
47	G	-
48	Y	-
48	SHIELD	-
50	W	-
71	R	-
72	V	-
80	BG	-
81	SHIELD	-
82	G	-
83	P	-
84	L	-
85	SHIELD	-
86	G	-
87	R	-
88	W	-
89	B	-
90	Y	-
91	V	-
92	W	-
93	BG	-
94	R	-
95	SB	-

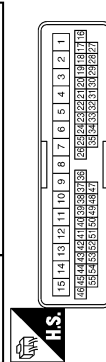
96	G	-
97	GR	-
98	BR	-
99	P	-
100	L	-

Connector No.	B214
Connector Name	OCCUPANT CLASSIFICATION SYSTEM CONTROL UNIT
Connector Type	TH08FW-NH



Terminal No.	Color of Wire	Signal Name [Specification]
2	V	COMMUNICATION
4	R	IGN
5	B	GND

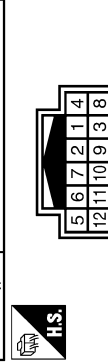
Connector No.	D1
Connector Name	WIRE TO WIRE
Connector Type	TH40FW-CS15



Terminal No.	Color of Wire	Signal Name [Specification]
1	Y	-
2	B	-
3	SB	-
4	V	-
8	L	-
9	P	-
10	LG	-
12	L	-
13	W	-
14	G	-
15	R	-
16	GR	-

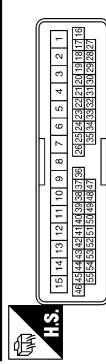
17	L	-
18	BR	-
19	BG	-
20	P	-
21	R	-
25	V	-
26	R	-
27	BR	-
28	W	-
29	Y	-
30	G	-
31	LG	-
32	GR	-
33	B	-
36	W	-
37	P	-
38	V	-
39	BR	-
42	G	-
43	GR	-
44	BG	-
47	V	-
48	R	-
49	SB	-
50	W	-
51	P	-
52	V	-

Connector No.	D3
Connector Name	DOOR MIRROR (DRIVER SIDE)
Connector Type	TH12MW-NH



Terminal No.	Color of Wire	Signal Name [Specification]
4	V	-
5	BG	-
6	GR	-
7	G	-
8	B	-
9	P	-
10	BR	-
11	W	-
12	V	-

Connector No.	D31
Connector Name	WIRE TO WIRE
Connector Type	TH40FW-CS15



Terminal No.	Color of Wire	Signal Name [Specification]
1	Y	-
2	V	-
3	B	-
7	LG	-
8	P	-
10	L	-
11	W	-
12	G	-
13	R	-
36	W	-
37	P	-
38	V	-
39	BR	-
42	L	-
43	GR	-
44	BG	-
45	G	-
47	R	-
48	SB	-
49	W	-
50	P	-
51	V	-
52	GR	-
53	BG	-
54	G	-

A  
B  
C  
D  
E  
F  
G  
H  
I  
J  
K  
L  
PG  
N  
O  
P



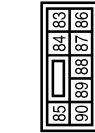
# POWER SUPPLY ROUTING CIRCUIT

[POWER SUPPLY & GROUND CIRCUIT]

< DTC/CIRCUIT DIAGNOSIS >

## IGNITION POWER SUPPLY

Connector No.	E8
Connector Name	IGNITION POWER DISTRIBUTION MODULE
Connector Type	NS08FW-CS



Terminal No.	Color of Wire	Signal Name [Specification]
83	R	-
84	V	-
86	W	-
87	L	-
88	G	-
89	BR	-
90	P	-

Connector No.	E17
Connector Name	COOLING FAN RELAY
Connector Type	24347 9F900



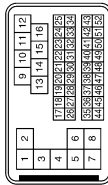
Terminal No.	Color of Wire	Signal Name [Specification]
1	G	-
2	GR	-
3	BR	-
5	R	-

Connector No.	E31
Connector Name	WASHER PUMP
Connector Type	E02FY-RS



Terminal No.	Color of Wire	Signal Name [Specification]
1	G	-
2	SB	-

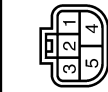
Connector No.	E40
Connector Name	WIRE TO WIRE
Connector Type	3AA38MB-RS8-SH28



Terminal No.	Color of Wire	Signal Name [Specification]
1	L/Y	-
2	SHIELD	-
3	L/B	-
4	SHIELD	-
5	BR	-
7	G	-
8	W	-
9	W	-
10	Y	-
11	P	-
12	SB	-
13	L	-
14	G	-
15	BG	-
16	BR	-
17	P	-
18	Y	-
19	BG	-
20	B	-
21	SB	-

22	W	-
23	L	-
24	GR	-
25	V	-
27	GR	-
28	V	-
29	P	-
30	R	-
31	BR	-
32	Y	-
33	G	-
34	BG	-
37	SHIELD	-
38	L	-
39	P	-
40	R	-
41	W	-
42	LG	-
43	G	-
45	GR	-
46	SHIELD	-
47	W	-
48	BR	-
49	G	-
50	B	-
51	SB	-
52	R	-

Connector No.	E42
Connector Name	FRONT WIPER MOTOR
Connector Type	HS08FGY



Terminal No.	Color of Wire	Signal Name [Specification]
1	V	-
2	B/W	-
4	L	-
5	LG	-

Connector No.	E67
Connector Name	ICC SENSOR INTEGRATED UNIT
Connector Type	RS08FB-PR



Terminal No.	Color of Wire	Signal Name [Specification]
1	Y	IGNITION
2	SB	BRAKE HOLD RLY DRIVE SIGNAL
3	L	CAN-H
4	B	GND
6	P	CAN-L

Connector No.	E101
Connector Name	FUSE BLOCK (J/B)
Connector Type	L01FW-MC



Terminal No.	Color of Wire	Signal Name [Specification]
ID	R	-

JCMW5866G1

A  
B  
C  
D  
E  
F  
G  
H  
I  
J  
K  
L  
PG  
N  
O  
P

# POWER SUPPLY ROUTING CIRCUIT

< DTC/CIRCUIT DIAGNOSIS >

[POWER SUPPLY & GROUND CIRCUIT]

## IGNITION POWER SUPPLY

Connector No.	E102
Connector Name	FUSE BLOCK (J/B)
Connector Type	M02PB-LC



Terminal No.	1E	Color of Wire	V	Signal Name [Specification]	
--------------	----	---------------	---	-----------------------------	--

Connector No.	E103
Connector Name	FUSE BLOCK (J/B)
Connector Type	NS16FW-CS



Terminal No.	1F, 2F, 4F, 6F, 8F, 9F	Color of Wire	SB, W, G, BR, L, P	Signal Name [Specification]	
--------------	------------------------	---------------	--------------------	-----------------------------	--

Connector No.	E106
Connector Name	WIRE TO WIRE
Connector Type	TH80PW-CS16-TM4



Terminal No.	1, 2, 3, 4, 5, 6, 7, 8, 9, 10, 11, 12, 13, 14, 15, 16, 17, 18, 19, 20, 21, 22, 23, 24, 25, 26, 27, 28, 29, 30, 31, 32, 33, 34, 35, 36, 37, 38, 39, 40, 41, 42, 43, 44, 45, 46, 47, 48, 49, 50, 51, 52, 53, 54, 55, 56, 57, 58, 59, 60, 61, 62, 63, 64, 65, 66, 67, 68, 69, 70, 71, 72, 73, 74, 75, 76, 77, 78, 79, 80, 81, 82, 83, 84, 85, 86, 87, 88, 89	Color of Wire	V, SB, BG, W, P, L, V, P, W, GR, GR, G, L, GR, SB, BR, Y, V, R, SB, G, LG, L, BG, P, V, W, BG, R, R, LG, SB, G, LG, GR, BR, Y, V, R, SB, G, B, GR, GR, V, R, P, G, B	Signal Name [Specification]	
--------------	---	---------------	--	-----------------------------	--

Terminal No.	91, 92, 93, 94, 95, 96, 97, 98, 99, 100	Color of Wire	W, LG, GR, SB, GR, R, Y, SHIELD, L, P	Signal Name [Specification]	
--------------	---	---------------	---------------------------------------	-----------------------------	--

Connector No.	E117
Connector Name	WIRE TO WIRE
Connector Type	M08MW-LC



Terminal No.	1, 2, 3, 4, 5, 6	Color of Wire	L, Y, GR, BR, BG	Signal Name [Specification]	
--------------	------------------	---------------	------------------	-----------------------------	--

Connector No.	F3
Connector Name	AIR FUEL RATIO (A/F) SENSOR 1 (BANK 1)
Connector Type	AF204FDGY



Terminal No.	1, 2, 3, 4	Color of Wire	L, R, W, Y	Signal Name [Specification]	
--------------	------------	---------------	------------	-----------------------------	--

Connector No.	F20
Connector Name	AIR FUEL RATIO (A/F) SENSOR 1 (BANK 2)
Connector Type	AF204FDGY



Terminal No.	1, 2, 3, 4	Color of Wire	LG, V, W, Y	Signal Name [Specification]	
--------------	------------	---------------	-------------	-----------------------------	--

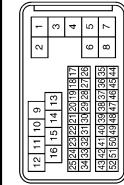
# POWER SUPPLY ROUTING CIRCUIT

< DTC/CIRCUIT DIAGNOSIS >

[POWER SUPPLY & GROUND CIRCUIT]

## IGNITION POWER SUPPLY

Connector No.	F39
Connector Name	WIRE TO WIRE
Connector Type	SA33PE-RSS-S1Z6



Terminal No.	Color of Wire	Signal Name [Specification]
1	L/Y	-
2	SHIELD	-
3	L/B	-
4	SHIELD	-
5	BR	-
7	G	-
8	W	-
9	W	-
10	G	-
11	R	-
12	P	-
13	L	-
14	LG	-
15	R	-
16	Y	-
17	W	-
18	LG	-
19	P	-
20	O	-
21	Y	-
22	G	-
23	Y	-
24	LG	-
25	V	-
27	GR	-
28	BR	-
29	L	-
30	R	-
31	P	-
32	W	-
33	SB	-
34	O	-
37	SHIELD	-
38	W	-
39	Y	-
40	G	-
41	B	-
42	GR	-

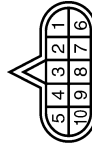
43	R	-
45	O	-
46	SHIELD	-
47	W/L	-
48	LG	-
49	O/L	-
50	L/Y	-
51	W	-
52	L/G	-

Connector No.	F43
Connector Name	COMPRESSOR
Connector Type	RS01FB



Terminal No.	Color of Wire	Signal Name [Specification]
1	L	-

Connector No.	F51
Connector Name	A/T ASSEMBLY
Connector Type	RK10FG-DGY



Terminal No.	Color of Wire	Signal Name [Specification]
1	Y	-
2	R	-
3	L	-
4	V	-
5	B	-
6	G	-
7	R	-
8	P	-
9	GR	-
10	B	-

Connector No.	F53
Connector Name	HEATED OXYGEN SENSOR 2 (BANK 2)
Connector Type	AF204FB



Terminal No.	Color of Wire	Signal Name [Specification]
1	B	-
2	LG	-
3	SB	-
4	O	-

Connector No.	F54
Connector Name	HEATED OXYGEN SENSOR 2 (BANK 1)
Connector Type	AF204FB



Terminal No.	Color of Wire	Signal Name [Specification]
1	B	-
2	R	-
3	P	-
4	W	-

Connector No.	F55
Connector Name	PARK / NEUTRAL POSITION SWITCH
Connector Type	RK02FB



Terminal No.	Color of Wire	Signal Name [Specification]
1	BR	-
2	W	-

A  
B  
C  
D  
E  
F  
G  
H  
I  
J  
K  
L  
PG  
N  
O  
P

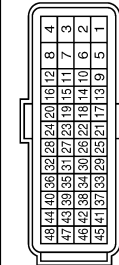
# POWER SUPPLY ROUTING CIRCUIT

< DTC/CIRCUIT DIAGNOSIS >

[POWER SUPPLY & GROUND CIRCUIT]

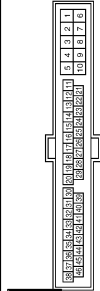
## IGNITION POWER SUPPLY

Connector No.	F101
Connector Name	ECM
Connector Type	RH40TB-RZ8-L-UH-Z



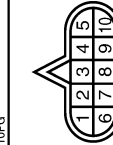
Terminal No.	Color of Wire	Signal Name [Specification]
1	W	AFH 1
2	G	MOTOR 1-B1
3	R	VMOT 1-B1
4	BR	MOTOR 2-B1
5	W	AFH 2
8	B	GND
11	GR	IGN#4
12	L	IGN#3
15	V	IGN#5
16	G	IGN#2
17	P	OZHR 1
18	W	CVTCH1
19	SB	IGN#6
20	Y	IGN#1
21	GR	EVAP
22	R	FPR
24	P	SSOFF
25	O	MOTRLY 1-B1
28	BR	ABORT
29	G	CVTCH2
30	Y	TPS 1-B1
31	R	TPS 1-B2
32	SB	OP#2 2
34	B	TPS 2-B1
35	W	TPS 2-B2
36	O	GND#1/MVPRES
37	W	POS
38	O	INTPRES
39	P	MVPRES
40	R	GND#2-TPS-B1
43	G	AVCC-TPS-B2
44	L	AVCC-TPS-B1
45	LG	AVCC 2/MVPRES
46	R	AVCC-POS
47	Y	GND-POS
48	B	GND#3-TPS-B2

Connector No.	F103
Connector Name	WIRE TO WIRE
Connector Type	TK38FW-NS10



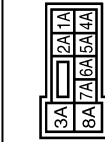
Terminal No.	Color of Wire	Signal Name [Specification]
2	G	
3	W	
4	R	
5	B	
9	Y	
10	GR	
19	O	
20	Y	
28	B	
29	LG	
30	R	
31	R	
33	B	
34	B	
35	L	
36	P	
37	Y	
38	G	
41	O	
42	BR	
43	P	
44	L	
45	G	
46	V	

Connector No.	F157
Connector Name	TGM (TRANSMISSION CONTROL MODULE)
Connector Type	SP10FG



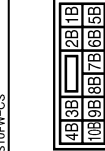
Terminal No.	Color of Wire	Signal Name [Specification]
1	W	VIGN
2	B	BATT
3	R	CAN-H
4	O	K-LINE
5	G	GND
6	GR	VIGN
7	L	REV LAMP RLY
8	BR	CAN-L
9	Y	STARTER RLY
10	W/B	GND

Connector No.	M1
Connector Name	FUSE BLOCK (J/B)
Connector Type	NS12FW-M2



Terminal No.	Color of Wire	Signal Name [Specification]
1A	V	
2A	G	
3A	L	
4A	P	
5A	L	
6A	Y	
7A	R	
8A	L	

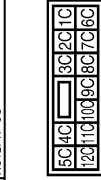
Connector No.	M2
Connector Name	FUSE BLOCK (J/B)
Connector Type	NS10FW-CS



Terminal No.		Color of Wire	Signal Name [Specification]
--------------	--	---------------	-----------------------------

1B	SB		
3B	P		
4B	G		
5B	BG		
8B	Y		
7B	P		
8B	R		
9B	SB		

Connector No.	M3
Connector Name	FUSE BLOCK (J/B)
Connector Type	NS12FW-CS



Terminal No.		Color of Wire	Signal Name [Specification]
6C	SB		
7C	B		
8C	W		
9C	BG		
10C	L		
11C	LG		
12C	G		

# POWER SUPPLY ROUTING CIRCUIT

< DTC/CIRCUIT DIAGNOSIS >

[POWER SUPPLY & GROUND CIRCUIT]

## IGNITION POWER SUPPLY

Connector No.	M5
Connector Name	WIRE TO WIRE
Connector Type	TH80MM-CS15

1	2	3	4	5	6	7	8	9	10	11	12	13	14	15
16	17	18	19	20	21	22	23	24	25	26	27	28	29	30
31	32	33	34	35	36	37	38	39	40	41	42	43	44	45
46	47	48	49	50										

Terminal No.	Color of Wire	Signal Name [Specification]
1	Y	-
2	B	-
3	BG	-
4	V	-
8	SB	-
9	G	-
10	V	-
12	L	-
13	W	-
14	B	-
15	W	-
16	R	-
17	BR	-
18	V	-
19	BG	-
20	P	-
21	W	-
25	Y	-
26	G	-
27	L	-
28	Y	-
29	G	-
30	SB	-
31	LG	-
32	W	-
33	B	-
36	W	-
37	GR	-
38	Y	-
39	B	-
42	Y	-
43	L	-
44	G	-
44	L	- [With automatic drive positioner]
44	L	- [Without automatic drive positioner]
47	L	-
48	GR	-
48	SB	-
50	P	-

51	LG
52	V

Connector No.	M6
Connector Name	WIRE TO WIRE
Connector Type	TH80MM-CS16-TM4

1	2	3	4	5	6	7	8	9	10	11	12	13	14	15
16	17	18	19	20	21	22	23	24	25	26	27	28	29	30
31	32	33	34	35	36	37	38	39	40	41	42	43	44	45
46	47	48	49	50										

Terminal No.	Color of Wire	Signal Name [Specification]
1	W	-
2	GR	-
3	R	-
5	W	-
6	P	-
7	L	-
11	V	-
12	P	-
13	R	-
14	W	-
15	L	-
16	GR	-
17	BR	-
18	L	-
29	G	-
31	L	-
32	Y	-
33	BG	-
34	W	-
35	BR	-
36	P	-
37	P	-
38	G	-
40	V	-
41	LG	-
42	R	-
43	G	-
44	G	-
45	B	- [With A/T]
45	R	- [With M/T]
46	BG	-
47	SB	-
48	Y	-
49	L	-

50	R	-
51	R	-
52	W	-
53	G	-
54	B	-
57	B	-
58	LG	-
80	SB	-
81	B	-
82	V	-
83	W	-
84	L	-
85	GR	-
86	Y	-
87	G	-
88	G	-
89	R	-
91	W	-
92	Y	-
93	BG	-
94	L	-
95	Y	-
96	R	-
97	LG	-
98	SHIELD	-
99	V	-
100	SB	-

A  
B  
C  
D  
E  
F  
G  
H  
I  
J  
K  
L  
PG  
N  
O  
P

# POWER SUPPLY ROUTING CIRCUIT

< DTC/CIRCUIT DIAGNOSIS >

[POWER SUPPLY & GROUND CIRCUIT]

## IGNITION POWER SUPPLY

Connector No.	M7
Connector Name	WIRE TO WIRE
Connector Type	TH80FW-CS (F-TM4)



Terminal No.	Color of Wire	Signal Name [Specification]
1	GR	-
2	P	-
3	SB	- [With automatic drive positioner]
4	Y	- [Without automatic drive positioner]
6	L	-
8	G	-
9	Y	-
15	R	-
16	BR	-
17	P	-
18	V	-
20	L	-
21	P	-
22	L	-
23	P	-
24	V	-
25	LG	-
26	BR	-
27	BG	-
28	LG	-
31	V	-
32	LG	-
33	SHIELD	-
34	GR	-
35	BR	-
36	Y	-
37	SHIELD	-
38	SB	-
39	LG	-
40	O	-
41	W	-
42	SHIELD	-
43	R	-
44	G	-
45	SHIELD	-
46	SB	-
55	W	-

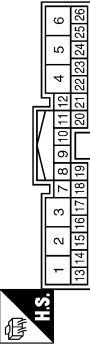
56	B	-
58	V	-
59	Y	-
60	Y	-
61	W	-
62	R	-
63	G	-
64	B	-
65	SHIELD	-
71	V	-
72	P	-
73	SB	-
74	V	-
81	W	-
82	BR	-
84	LG	-
85	BG	-
86	SB	-
87	G	-
88	GR	-
89	L	-
90	P	-
91	BG	-
92	L	-
93	P	-
95	BG	-
96	Y	-
100	P	-

Connector No.	M109
Connector Name	BLOWER MOTOR
Connector Type	NS03FW-M3



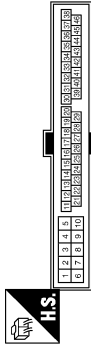
Terminal No.	Color of Wire	Signal Name [Specification]
1	L	-
2	P	-
3	B	-

Connector No.	M110
Connector Name	PRE-CRASH SEAT BELT CONTROL UNIT
Connector Type	TH80FW-TB6



Terminal No.	Color of Wire	Signal Name [Specification]
1	P	MOTOR (RH) (RELEASE)
2	W	4B
3	L	MOTOR (RH) (FASTEN)
4	BG	MOTOR (LH) (FASTEN)
5	W	GND (DRIVE)
6	Y	MOTOR (LH) (RELEASE)
7	G	INDICATOR
8	LG	BUCKLE SW RH
10	SB	BUCKLE SW LH
13	W	IGN
16	R	SENS OUTPUT 1
18	R	SENS POWER
20	G	SENS OUTPUT 2
21	B	SENS GND
22	P	CAN-L
24	L	CAN-H
26	B	GND (CONT)

Connector No.	M116
Connector Name	WIRE TO WIRE
Connector Type	TK38MW-NS10



Terminal No.	Color of Wire	Signal Name [Specification]
2	W	-
3	BG	-
4	P	-
5	B	-
9	R	-

10	R	-
19	BG	-
20	Y	-
28	B	-
29	LG	-
30	LG	-
31	W	-
33	B	-
34	B	-
35	L	-
36	P	-
37	R	-
38	SB	-
41	BG	-
42	G	-
43	P	-
44	L	-
45	Y	-
46	SB	-



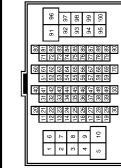
# POWER SUPPLY ROUTING CIRCUIT

< DTC/CIRCUIT DIAGNOSIS >

[POWER SUPPLY & GROUND CIRCUIT]

## IGNITION POWER SUPPLY

Connector No.	M117
Wire To Wire	---
Connector Name	TH80MW-CS (E-TM4)
Connector Type	---



Terminal No.	Color of Wire	Signal Name [Specification]
1	LG	---
5	P	---
6	G	---
7	SB	---
8	LG	---
9	LG	---
10	L	---
31	SB	---
32	LG	---
33	SB	---
34	LG	---
40	Y	---
41	G	---
42	LG	---
43	R	---
45	G	---
46	SHIELD	---
47	P	---
48	L	---
49	SHIELD	---
50	V	---
71	R	---
72	L	---
80	W	---
81	SHIELD	---
82	P	---
83	L	---
84	G	---
85	SHIELD	---
86	W	---
87	B	---
88	R	---
89	G	---
90	Y	---
91	V	---
92	BR	---
93	V	---
94	Y	---
95	G	---

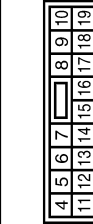
96	G	---
97	R	---
98	EG	---
99	P	---
100	L	---

Connector No.	M118
Connector Name	BCM (BODY CONTROL MODULE)
Connector Type	MD3FB-LC



Terminal No.	Color of Wire	Signal Name [Specification]
1	W	BAT (F/L)
2	Y	POWER WINDOW POWER SUPPLY (BAT)
3	EG	POWER WINDOW POWER SUPPLY (RAP)

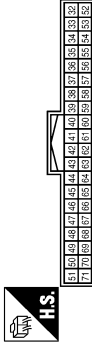
Connector No.	M119
Connector Name	BCM (BODY CONTROL MODULE)
Connector Type	NS16FW-CS



Terminal No.	Color of Wire	Signal Name [Specification]
4	LG	INTERIOR ROOM LAMP POWER SUPPLY
5	P	PASSENGER DOOR UNLOCK OUTPUT
7	SB	STEP LAMP OUTPUT
8	V	ALL DOOR FUEL LID LOCK OUTPUT
9	G	DRIVER DOOR FUEL LID UNLOCK OUTPUT
10	P	REAR DOOR UNLOCK OUTPUT
11	R	BAT (FUSE)
13	B	GND
14	W	PUSH-BUTTON IGNITION SW ILL GND
15	EG	ACC IND
17	W	TURN SIGNAL RH (FRONT)
18	EG	TURN SIGNAL LH (FRONT)

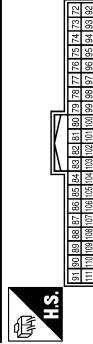
19	V	ROOM LAMP TIMER CONTROL
----	---	-------------------------

Connector No.	M121
Connector Name	BCM (BODY CONTROL MODULE)
Connector Type	TH40FG-NH



Terminal No.	Color of Wire	Signal Name [Specification]
34	SB	TRUNK ROOM ANT-
35	V	TRUNK ROOM ANT+
38	B	REAR BUMPER ANT-
39	W	REAR BUMPER ANT+
47	Y	IGN RELAY (IPDM E/R) CONT
50	BG	TRUNK ROOM LAMP SW
52	R	STARTER RELAY CONT
61	SB	TRUNK LID OPENER REQUEST SW
64	G	I-KEY WARN BUZZER (ENG ROOM)
67	GR	TRUNK LID OPENER SW
68	BG	REAR RH DOOR SW
69	L	REAR LH DOOR SW

Connector No.	M122
Connector Name	BCM (BODY CONTROL MODULE)
Connector Type	TH40FB-NH



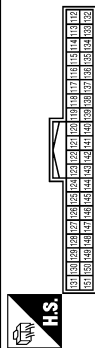
# POWER SUPPLY ROUTING CIRCUIT

[POWER SUPPLY & GROUND CIRCUIT]

< DTC/CIRCUIT DIAGNOSIS >

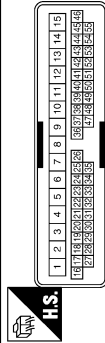
## IGNITION POWER SUPPLY

Connector No.	M123
Connector Name	BCM BODY CONTROL MODULE
Connector Type	TH40FG-1N1



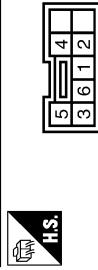
Terminal No.	Color of Wire	Signal Name [Specification]
112	R	RAIN SENSOR SERIAL LINK
113	BG	OPTICAL SENSOR
114	R	CLUTCH INTERLOCK SW
116	SB	STOP LAMP SW 1
118	BR	STOP LAMP SW 2
119	SB	DR DOOR UNLOCK SENSOR
121	SB	KEY SLOT SW
123	V	IGN P/B
124	R	PASSENGER DOOR SW
129	BG	TRUNK LID OPENER CANCEL SW
132	V	POWER WINDOW SW COMM
133	L	PUSH-BUTTON IGNITION SW ILL POWER
134	LG	LOCK IND
137	BG	RECEIVER / SENSOR GND
138	V	RECEIVER / SENSOR POWER SUPPLY
139	L	TIRE PRESSURE RECEIVER COMM
140	B	SHIFT N/P
141	W	SECURITY INDICATOR LAMP
142	BR	COMBI SW OUTPUT 5
143	P	COMBI SW OUTPUT 1
144	G	COMBI SW OUTPUT 2
145	L	COMBI SW OUTPUT 3
146	SB	COMBI SW OUTPUT 4
149	W	TIRE PRESSURE WARN CHECK SW
150	GR	DRIVER DOOR SW
151	G	REAR WINDOW DEFOGGER RELAY CONT

Connector No.	M124
Connector Name	WIRE TO WIRE
Connector Type	TH40MM-CS15



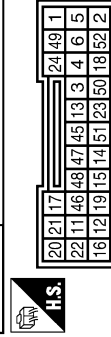
Terminal No.	Color of Wire	Signal Name [Specification]
1	W	
2	GR	
3	B	
7	V	
8	P	
10	BR	
11	R	
12	G	
13	R	
36	G	
37	R	
38	GR	
39	L	
42	BG	
43	BG	
44	W	
45	SB	
47	LG	
48	P	
49	Y	
50	BR	
51	SB	
52	L	
53	L	
54	Y	

Connector No.	M139
Connector Name	SNOW MODE SWITCH
Connector Type	TK6BFW



Terminal No.	Color of Wire	Signal Name [Specification]
1	R	
2	GR	
4	Y	
5	P	
6	B	

Connector No.	M147
Connector Name	AIR BAG DIAGNOSIS SENSOR UNIT
Connector Type	TK28FY-EX-SC



Terminal No.	Color of Wire	Signal Name [Specification]
1	LG	IGN
2	B	GND
3	Y	DR 1(+)
4	Y	DR 1(-) DR 2 (-)
5	Y	AS 1(+)
6	Y	AS 1(-)
11	SB	ECZS (+)
12	V	ECZS (-)
15	LG	AIR BAG W/L
16	SHIELD	GND
18	R	CUTOFF TELLTALE
21	L	CAN-H
24	G	SEAT BELT
45	Y	DR 2 (+)
46	P	CAN-L
47	Y	AS 2 (+)
48	Y	AS 2 (-)

49 L ODS INPUT

# POWER SUPPLY ROUTING CIRCUIT

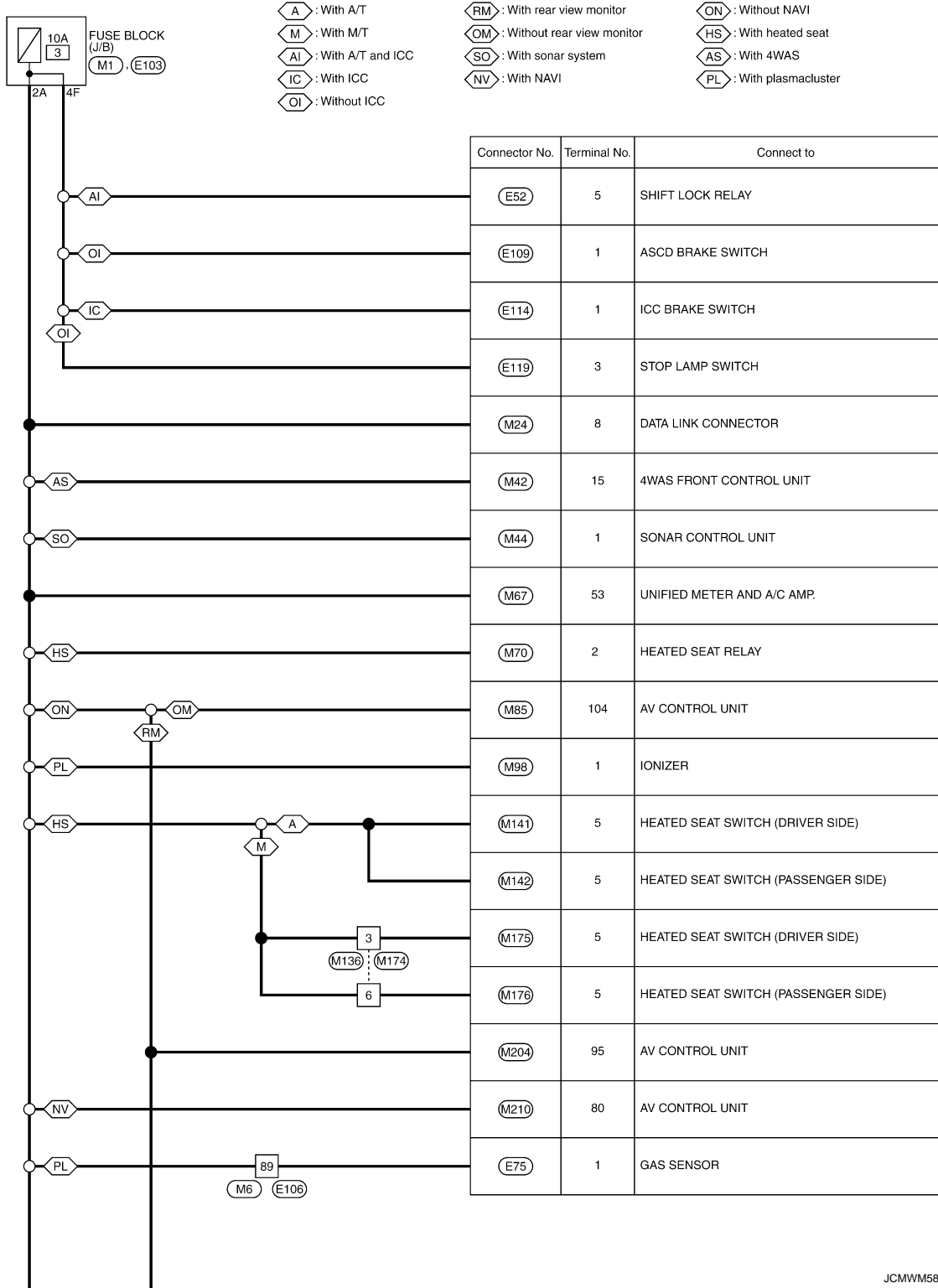
< DTC/CIRCUIT DIAGNOSIS >

[POWER SUPPLY & GROUND CIRCUIT]

## Wiring Diagram - IGNITION POWER SUPPLY FUSE No. 3 -

INFOID:000000005623699

### IGNITION POWER SUPPLY FUSE No. 3



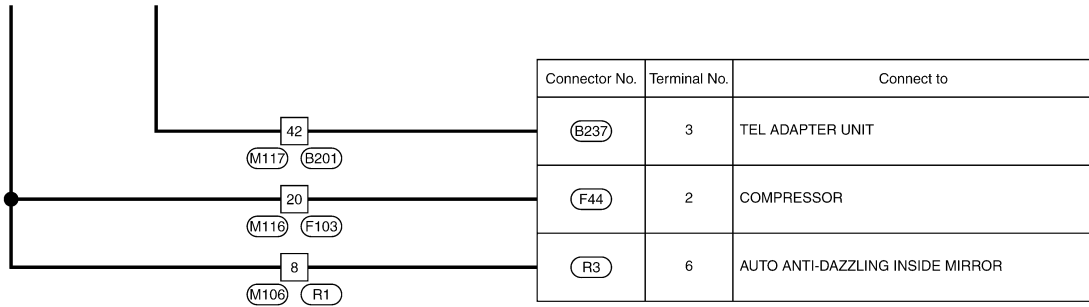
JCMWM5874GI

A  
B  
C  
D  
E  
F  
G  
H  
I  
J  
K  
L  
PG  
N  
O  
P

# POWER SUPPLY ROUTING CIRCUIT

< DTC/CIRCUIT DIAGNOSIS >

[POWER SUPPLY & GROUND CIRCUIT]



Connector No.	Terminal No.	Connect to
B237	3	TEL ADAPTER UNIT
F44	2	COMPRESSOR
R3	6	AUTO ANTI-DAZZLING INSIDE MIRROR

2009/10/30

JCMWM5875G

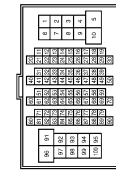
# POWER SUPPLY ROUTING CIRCUIT

< DTC/CIRCUIT DIAGNOSIS >

[POWER SUPPLY & GROUND CIRCUIT]

## IGNITION POWER SUPPLY FUSE No. 3

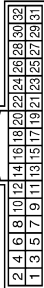
Connector No.	B201
Connector Name	WIRE TO WIRE
Connector Type	TH80FW-CS16-TM4



Terminal No.	Color of Wire	Signal Name [Specification]
1	BR	-
5	P	-
6	L	-
7	V	-
8	LG	-
10	L	-
31	L	-
32	P	-
33	G	-
34	R	-
40	GR	-
41	LG	-
42	BG	-
43	R	-
45	G	-
46	SHIELD	-
47	G	-
48	Y	-
48	SHIELD	-
50	W	-
71	R	-
72	V	-
80	BG	-
81	SHIELD	-
82	G	-
83	P	-
84	L	-
85	SHIELD	-
86	G	-
87	R	-
88	W	-
89	B	-
90	Y	-
91	V	-
92	W	-
93	BG	-
94	R	-
95	SB	-

96	G	-
97	GR	-
98	BR	-
99	P	-
100	L	-

Connector No.	B237
Connector Name	TEL ADAPTER UNIT
Connector Type	TH32FW-NH



Terminal No.	Color of Wire	Signal Name [Specification]
1	GR	BATTERY
2	LG	ACC
3	BG	IGNITION
4	B	GND
5	SHIELD	SHIELD
7	R	MICROPHONE SIGNAL
8	SHIELD	MICROPHONE GND
9	Y	TEL VOICE SIGNAL (+)
10	G	TEL VOICE SIGNAL (-)
14	B	GND
23	B	CONTROL SIGNAL
24	B	CONTROL SIGNAL
28	W	VEHICLE SPEED (8-PULSE)
29	G	MICROPHONE YOC

Connector No.	E52
Connector Name	SHIFT LOCK RELAY
Connector Type	MS02FL-M2-LC



Terminal No.	Color of Wire	Signal Name [Specification]
1	GR	-

2	W	-
3	V	-
5	G	-

Connector No.	E75
Connector Name	GAS SENSOR
Connector Type	RH03FB



Terminal No.	Color of Wire	Signal Name [Specification]
1	BR	POWER
2	P	GND
3	L	GAS SENSOR SIGNAL

Connector No.	E103
Connector Name	FUSE BLOCK (L/B)
Connector Type	NS16FW-CS



Terminal No.	Color of Wire	Signal Name [Specification]
1F	SB	-
2F	W	-
4F	G	-
6F	BR	-
8F	L	-
9F	P	-

A  
B  
C  
D  
E  
F  
G  
H  
I  
J  
K  
L  
PG  
N  
O  
P

JCMWM5876G1

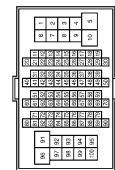
# POWER SUPPLY ROUTING CIRCUIT

< DTC/CIRCUIT DIAGNOSIS >

[POWER SUPPLY & GROUND CIRCUIT]

## IGNITION POWER SUPPLY FUSE No. 3

Connector No.	E106
Connector Name	WIRE TO WIRE
Connector Type	TH80YW-CS16-TM4



Terminal No.	Color of Wire	Signal Name [Specification]
1	V	
2	SB	
3	EG	
5	W	
6	P	
7	L	
11	V	
12	P	
13	R	
14	W	
15	L	
16	GR	
17	SB	
18	LG	
28	G	
31	L	
32	BG	
33	P	
34	V	
35	W	
36	BG	
37	G	
38	R	
40	R	
41	LG	
42	SB	
43	G	
44	LG	
45	GR	
46	BR	
47	B	
48	Y	
49	V	
50	R	
51	SB	
52	P	
53	G	
54	B	

57	GR	
58	V	
60	R	
61	P	
62	G	
63	V	
64	L	
65	W	
66	GR	
67	LG	
68	L	
69	BR	
91	W	
92	LG	
93	GR	
94	SB	
95	GR	
96	R	
97	Y	
98	SHIELD	
99	L	
100	P	

Connector No.	E108
Connector Name	ASCD BRAKE SWITCH
Connector Type	IS02FL



Terminal No.	Color of Wire	Signal Name [Specification]
1	G	
2	W	

Connector No.	E114
Connector Name	IOC BRAKE SWITCH
Connector Type	IS02FL



Terminal No.	Color of Wire	Signal Name [Specification]
1	G	
2	SB	
2	W	

Connector No.	E119
Connector Name	STOP LAMP SWITCH
Connector Type	M04FW-LC



Terminal No.	Color of Wire	Signal Name [Specification]
1	L	
2	W	
3	G	
4	V	

Connector No.	F44
Connector Name	COMPRESSOR
Connector Type	RK02FGY



Terminal No.	Color of Wire	Signal Name [Specification]
2	Y	
3	O	

Connector No.	F103
Connector Name	WIRE TO WIRE
Connector Type	TK38FW-NS10



Terminal No.	Color of Wire	Signal Name [Specification]
2	G	
3	W	
4	R	
5	B	
9	Y	
10	GR	
19	O	
20	Y	
28	B	
29	LG	
30	R	
31	R	
33	B	
34	B	
35	L	
36	P	
37	Y	
38	G	
41	O	
42	BR	
43	P	
44	L	
45	G	
46	V	

# POWER SUPPLY ROUTING CIRCUIT

[POWER SUPPLY & GROUND CIRCUIT]

< DTC/CIRCUIT DIAGNOSIS >

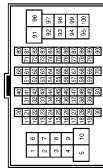
## IGNITION POWER SUPPLY FUSE No. 3

Connector No.	M1
Connector Name	FUSE BLOCK (J/B)
Connector Type	NS8FW-M2



Terminal No.	Color of Wire	Signal Name [Specification]
1A	V	-
2A	G	-
3A	L	-
4A	P	-
5A	L	-
6A	Y	-
7A	R	-
8A	L	-

Connector No.	M6
Connector Name	WIRE TO WIRE
Connector Type	TH80MW-CS16-TM4



Terminal No.	Color of Wire	Signal Name [Specification]
1	W	-
2	GR	-
3	R	-
5	W	-
6	P	-
7	L	-
11	V	-
12	P	-
13	R	-
14	W	-
15	L	-
16	GR	-
17	BR	-
18	L	-

29	G	-
31	L	-
32	Y	-
33	BG	-
34	W	-
35	BR	-
36	P	-
37	P	-
38	G	-
40	V	-
41	LG	-
42	R	-
43	G	-
44	G	-
45	B	-
45	R	-
46	BG	-
47	SB	-
48	Y	-
48	L	-
50	R	-
51	R	-
52	W	-
53	G	-
54	B	-
57	B	-
58	LG	-
80	SB	-
81	B	-
82	V	-
83	W	-
84	L	-
85	GR	-
86	Y	-
87	G	-
88	G	-
89	R	-
91	W	-
92	Y	-
93	BG	-
94	L	-
95	Y	-
96	R	-
97	LG	-
98	SHIELD	-
99	V	-
100	SB	-

Connector No.	M24
Connector Name	DATA LINK CONNECTOR
Connector Type	BD16FW-P



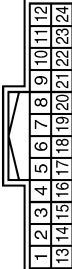
Terminal No.	Color of Wire	Signal Name [Specification]
3	LG	-
4	B	-
5	B	-
6	L	-
7	V	-
8	G	-
11	SB	-
14	P	-
16	R	-

Connector No.	M42
Connector Name	4WAS FRONT CONTROL UNIT
Connector Type	TK22FW



Terminal No.	Color of Wire	Signal Name [Specification]
14	R	BUS-L
15	LG	IGN
18	B	GND
25	BR	BUS-H
34	B	GND

Connector No.	M44
Connector Name	SONAR CONTROL UNIT
Connector Type	TH24FW-NH



Terminal No.	Color of Wire	Signal Name [Specification]
1	LG	IGN
2	SB	CANCEL SW SIGNAL
5	W	CORNER SENSOR SIGNAL REAR LH
6	Y	CORNER SENSOR SIGNAL REAR RH
7	G	CENTER SENSOR SIGNAL REAR LH
8	R	CENTER SENSOR SIGNAL REAR RH
11	B	CANCEL SW INDICATOR
12	B	SENSOR GND
13	GR	ACC
17	BG	R RANGE SIGNAL
18	V	K LINE
19	SB	AV COMM (H)
20	LG	AV COMM (L)
24	B	GND

JCMW5878G1

A  
B  
C  
D  
E  
F  
G  
H  
I  
J  
K  
L  
PG  
N  
O  
P

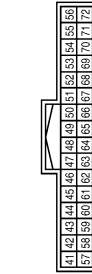
# POWER SUPPLY ROUTING CIRCUIT

< DTC/CIRCUIT DIAGNOSIS >

[POWER SUPPLY & GROUND CIRCUIT]

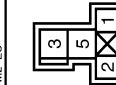
## IGNITION POWER SUPPLY FUSE No. 3

Connector No.	M67
Connector Name	UNIFIED METER AND A/C AMP.
Connector Type	TH22FW-NH



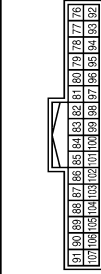
Terminal No.	Color of Wire	Signal Name [Specification]
41	L	ACC POWER SUPPLY
42	BR	FUEL LEVEL SENSOR SIGNAL
43	BR	INTAKE SENSOR SIGNAL
44	LG	IN-VEHICLE SENSOR SIGNAL
45	V	AMBIENT SENSOR SIGNAL
46	Y	SUNLOAD SENSOR SIGNAL
47	G	GAS SENSOR SIGNAL
53	W	IGNITION POWER SUPPLY
54	SB	BATTERY POWER SUPPLY
55	B	GROUND
56	L	CAN-H
57	LG	BRAKE FLUID LEVEL SWITCH
58	Y	FUEL LEVEL SENSOR GROUND
59	GR	INTAKE SENSOR GROUND
60	W	IN-VEHICLE SENSOR GROUND
61	B	AMBIENT SENSOR GROUND
62	SB	SUNLOAD SENSOR GROUND
63	L	IGN CONTROL MODE OUTPUT SIGNAL
65	EG	ECV SIGNAL
69	P	A/C LAN SIGNAL
70	R	EACH DOOR MOTOR POWER SUPPLY
71	GR	GROUND
72	P	CAN-L

Connector No.	M70
Connector Name	HEATED SEAT RELAY
Connector Type	MS02FL-M2-LC



Terminal No.	Color of Wire	Signal Name [Specification]
1	G	
2	P	
3	G	
5	LG	

Connector No.	M65
Connector Name	AV CONTROL UNIT
Connector Type	TH32FW-NH



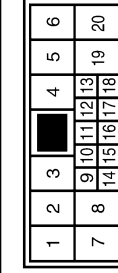
Terminal No.	Color of Wire	Signal Name [Specification]
84	SHIELD	SHIELD
85	B	GND
86	L	CAN-H
87	P	CAN-L
88	SB	AV COMM (H)
89	LG	AV COMM (L)
90	SB	AV COMM (H)
91	LG	AV COMM (L)
95	R	AUX SOUND SIGNAL RH (+)
96	W	AUX SOUND SIGNAL LH (+)
97	B	AUX SOUND SIGNAL GND
101	BR	SW GND
103	V	EJECT SIGNAL
104	G	IGNITION
105	EG	REVERSE
106	SB	PARKING BRAKE
107	R	PARKING BRAKE

Connector No.	M88
Connector Name	IONIZER
Connector Type	TH64FW-NH



Terminal No.	Color of Wire	Signal Name [Specification]
1	V	IGN
2	L	ION MODE
3	B	GND
4	BR	ION ON / OFF

Connector No.	M106
Connector Name	WIRE TO WIRE
Connector Type	NH10MW-CS10



Terminal No.	Color of Wire	Signal Name [Specification]
2	L	
3	SHIELD	
4	G	
5	BR	
6	EG	
7	Y	
8	P	
9	LG	
10	V	
11	B	
12	B	
13	R	
15	R	
16	G	
17	SHIELD	
18	B	
19	Y	
20	R	

Connector No.	M116
Connector Name	WIRE TO WIRE
Connector Type	TK36MW-NS10



Terminal No.	Color of Wire	Signal Name [Specification]
2	W	
3	EG	
4	P	
5	B	
9	R	
10	R	
19	EG	
20	Y	
28	B	
29	LG	
30	LG	
31	W	
33	B	
34	B	
35	L	
36	P	
37	R	
38	SB	
41	G	
42	G	
43	P	
44	L	
45	Y	
46	SB	



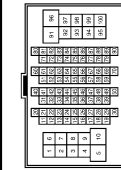
# POWER SUPPLY ROUTING CIRCUIT

[POWER SUPPLY & GROUND CIRCUIT]

< DTC/CIRCUIT DIAGNOSIS >

## IGNITION POWER SUPPLY FUSE No. 3

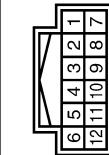
Connector No.	M117
Connector Name	WIRE TO WIRE
Connector Type	TH80MW-CS-E-TM4



Terminal No.	Color of Wire	Signal Name [Specification]
1	LG	-
5	P	-
6	G	-
7	SB	-
8	LG	-
10	L	-
31	SB	-
32	LG	-
33	SB	-
34	LG	-
40	Y	-
41	G	-
42	LG	-
43	R	-
45	G	-
46	SHIELD	-
47	P	-
48	L	-
48	SHIELD	-
50	V	-
71	R	-
72	L	-
80	W	-
81	SHIELD	-
82	P	-
83	L	-
84	G	-
85	SHIELD	-
86	W	-
87	B	-
88	R	-
89	G	-
90	Y	-
91	V	-
92	BR	-
93	V	-
94	Y	-
95	G	-

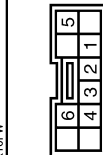
96	G	-
97	R	-
98	SG	-
99	P	-
100	L	-

Connector No.	M136
Connector Name	WIRE TO WIRE
Connector Type	TH12FW-NH



Terminal No.	Color of Wire	Signal Name [Specification]
1	L	-
2	GR	-
3	G	-
4	V	-
5	B	-
6	BG	-
7	B	-
8	R	-
9	B	-
10	LG	-
11	B	-
12	SB	-

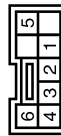
Connector No.	M141
Connector Name	HEATED SEAT SWITCH (DRIVER SIDE)
Connector Type	TK10FW



Terminal No.	Color of Wire	Signal Name [Specification]
1	L	-
2	GR	-
3	R	-

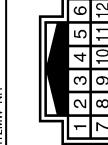
4	B	-
5	G	-
8	B	-

Connector No.	M142
Connector Name	HEATED SEAT SWITCH (PASSENGER SIDE)
Connector Type	TK08FBR



Terminal No.	Color of Wire	Signal Name [Specification]
1	LG	-
2	SB	-
3	V	-
4	B	-
5	BG	-
6	B	-

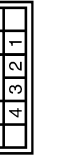
Connector No.	M174
Connector Name	WIRE TO WIRE
Connector Type	TH12MW-NH



Terminal No.	Color of Wire	Signal Name [Specification]
1	L	-
2	GR	-
3	W	-
4	R	-
5	W	-
6	W	-
7	B	-
8	R	-
9	L	-
10	GR	-
11	GR	-

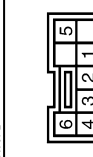
12	SB	-
----	----	---

Connector No.	M175
Connector Name	HEATED SEAT SWITCH (DRIVER SIDE)
Connector Type	TK10FW



Terminal No.	Color of Wire	Signal Name [Specification]
1	L	-
2	GR	-
3	R	-
4	W	-
5	W	-
6	B	-

Connector No.	M176
Connector Name	HEATED SEAT SWITCH (PASSENGER SIDE)
Connector Type	TK08FBR



Terminal No.	Color of Wire	Signal Name [Specification]
1	GR	-
2	SB	-
3	R	-
4	W	-
5	W	-
6	GR	-

A  
B  
C  
D  
E  
F  
G  
H  
I  
J  
K  
L  
PG  
N  
O  
P

# POWER SUPPLY ROUTING CIRCUIT

< DTC/CIRCUIT DIAGNOSIS >

[POWER SUPPLY & GROUND CIRCUIT]

## IGNITION POWER SUPPLY FUSE No. 3

Connector No.	M204
Connector Name	AV CONTROL UNIT
Connector Type	TH22FV-NH



76	77	78	79	80	81	82	83	84	85	86	87	88	89	90	91
82	83	84	85	86	87	88	89	90	91	92	93	94	95	96	97

Terminal No.	Color of Wire	Signal Name [Specification]
76	LG	AV COMM (L)
77	SB	AV COMM (H)
78	LG	AV COMM (L)
79	SB	AV COMM (H)
80	P	CAN-L
81	L	CAN-H
82	BR	SW GND
86	SHIELD	SHIELD
87	L	TEL VOICE SIGNAL (+)
88	P	TEL VOICE SIGNAL (-)
92	R	VEHICLE SPEED (8-PULSE)
93	SB	PARKING BRAKE
94	EG	REVERSE
95	G	IGNITION
96	V	DISK EJECT SIGNAL

Connector No.	M210
Connector Name	AV CONTROL UNIT
Connector Type	TH22FV-NH



61	62	63	64	65	66	67	68	69	70	71	72	73	74	75	76
77	78	79	80	81	82	83	84	85	86	87	88	89	90	91	92

Terminal No.	Color of Wire	Signal Name [Specification]
65	SB	PARKING BRAKE
67	P	COMPOSITE IMAGE GND
68	L	COMPOSITE IMAGE SIGNAL
71	SHIELD	MICROPHONE GND
72	G	MICROPHONE VCC
73	LG	COMM (CONT->DISP)
74	P	CAN-L

75	76	77	78	79	80	81	82	83	84	85	86	87	88	89	90	91	92
82	83	84	85	86	87	88	89	90	91	92	93	94	95	96	97	98	99

Connector No.	R1
Connector Name	WIRE TO WIRE
Connector Type	NH10FV-CS10



6	5	4	3	2	1								
20	19	18	17	16	15	14	13	12	11	10	9	8	7

Terminal No.	Color of Wire	Signal Name [Specification]
2	L	-
3	SHIELD	-
4	G	-
5	BR	-
6	Y	-
7	GR	-
8	BR	-
9	R	-
10	V	-
11	B	-
12	B	-
13	Y	-
15	R	-
16	G	-
17	SHIELD	-
18	B	-
19	Y	-
20	R	-

Connector No.	R3
Connector Name	AUTO ANTI-DAZLING INSIDE MIRROR
Connector Type	TH10FB-NH



5	4	3	2	1
10	9	8	7	6

Terminal No.	Color of Wire	Signal Name [Specification]
6	BR	IGN
8	B	GND
10	GR	BAT

# POWER SUPPLY ROUTING CIRCUIT

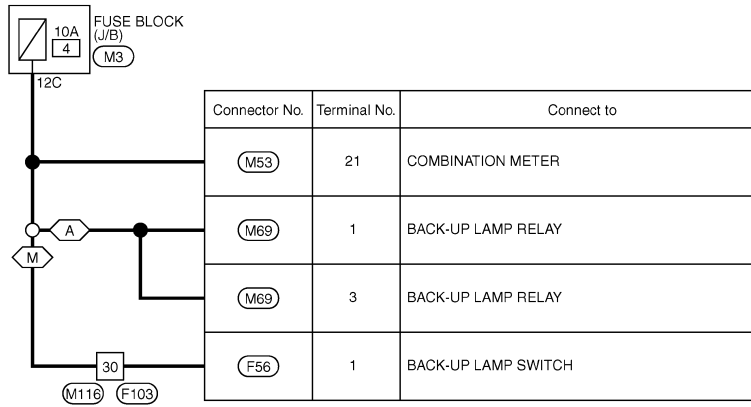
< DTC/CIRCUIT DIAGNOSIS >

[POWER SUPPLY & GROUND CIRCUIT]

## Wiring Diagram - IGNITION POWER SUPPLY FUSE No. 4 - IGNITION POWER SUPPLY FUSE No. 4

INFOID:000000005623700

⬡ A : With A/T  
⬡ M : With M/T



A  
B  
C  
D  
E  
F  
G  
H  
I  
J  
K  
L  
PG  
N  
O  
P

2008/08/07

JCMWA3106GE

# POWER SUPPLY ROUTING CIRCUIT

## [POWER SUPPLY & GROUND CIRCUIT]

< DTC/CIRCUIT DIAGNOSIS >

### IGNITION POWER SUPPLY FUSE No. 4

Connector No.	F56
Connector Name	BACK-UP LAMP SWITCH
Connector Type	RK02FB



Terminal No.	Color of Wire	Signal Name [Specification]
1	R	-
2	O	-

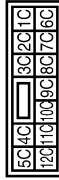
Connector No.	F103
Connector Name	WIRE TO WIRE
Connector Type	TK38FW-NS10



Terminal No.	Color of Wire	Signal Name [Specification]
2	G	-
3	W	-
4	R	-
5	B	-
6	Y	-
10	GR	-
19	O	-
20	Y	-
28	B	-
29	LG	-
30	R	-
31	R	-
33	B	-
34	B	-
35	L	-
36	P	-
37	Y	-
38	G	-
41	O	-
42	BR	-

43	P	-
44	L	-
45	G	-
46	V	-

Connector No.	M3
Connector Name	FUSE BLOCK (J/B)
Connector Type	NS12PW-OS



Terminal No.	Color of Wire	Signal Name [Specification]
6C	SB	-
7C	B	-
8C	W	-
9C	BG	-
10C	L	-
11C	LG	-
12C	G	-

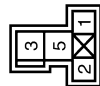
Connector No.	M53
Connector Name	COMBINATION METER
Connector Type	SAB10FW



Terminal No.	Color of Wire	Signal Name [Specification]
1	V	BATTERY POWER SUPPLY
2	LG	COMMUNICATION SIGNAL (METER->AMP.)
3	GR	COMMUNICATION SIGNAL (AMP->METER)
5	B	GROUND
6	W	ALTERNATOR SIGNAL
7	LG	AIR BAG SIGNAL
10	W	SECURITY SIGNAL
15	B	GROUND
16	BR	METER CONTROL SWITCH GROUND

18	GR	ILL GND
19	B	ILL GND
20	-	ILL
21	G	IGNITION SIGNAL
22	B	GROUND
24	BR	COMMUNICATION SIGNAL (LCD->AMP.)
25	Y	COMMUNICATION SIGNAL (AMP->LCD)
26	R	VEHICLE SPEED SIGNAL (8-PULSE)
27	P	PARKING BRAKE SWITCH SIGNAL
28	SB	BRAKE FLUID LEVEL SWITCH
29	P	SEAT BELT BUCKLE SW SIGNAL (DRIVER SIDE)
30	G	SEAT BELT BUCKLE SWITCH SIGNAL (PASSENGER SIDE)
31	L	WASHER LEVEL SWITCH SIGNAL
33	R	ILLUMINATION CONTROL SIGNAL
36	LG	SELECT SWITCH SIGNAL
37	Y	ENTER SWITCH SIGNAL
38	G	TRIP A/B RESET SWITCH SIGNAL
39	P	ILLUMINATION CONTROL SWITCH SIGNAL (-)
40	BG	ILLUMINATION CONTROL SWITCH SIGNAL (+)

Connector No.	M59
Connector Name	BACK-UP LAMP RELAY
Connector Type	MS02FL-M2-LC



Terminal No.	Color of Wire	Signal Name [Specification]
1	R	-
2	W	-
3	LG	-
5	BG	-

Connector No.	M116
Connector Name	WIRE TO WIRE
Connector Type	TK38MW-NS10



Terminal No.	Color of Wire	Signal Name [Specification]
2	W	-
3	BG	-
4	P	-
5	B	-
9	R	-
10	R	-
19	BG	-
20	Y	-
28	B	-
29	LG	-
30	LG	-
31	W	-
33	B	-
34	B	-
35	L	-
36	P	-
37	R	-
38	SB	-
41	BG	-
42	G	-
43	P	-
44	L	-
45	Y	-
46	SB	-

JCMW5882G

# POWER SUPPLY ROUTING CIRCUIT

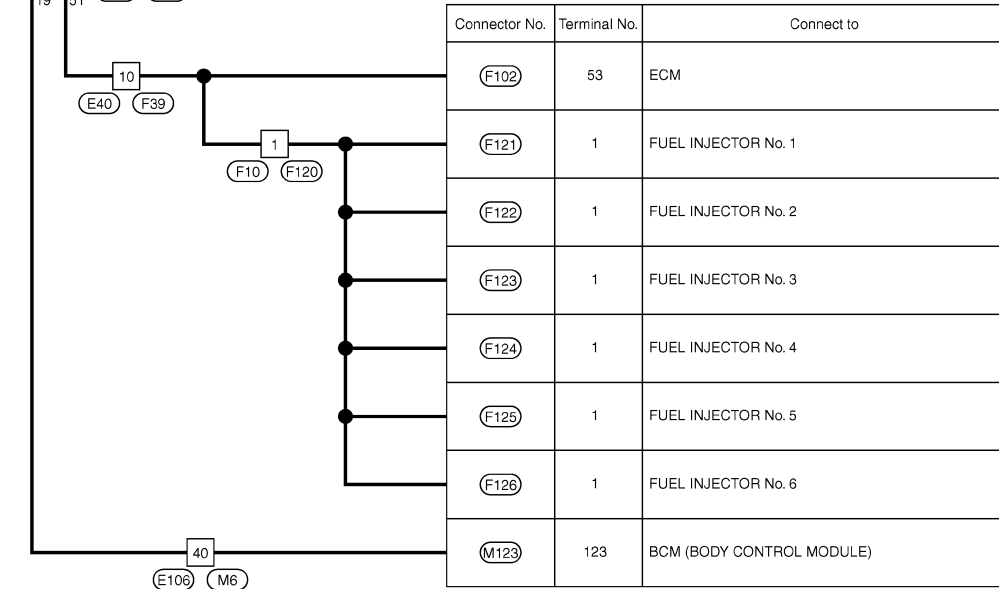
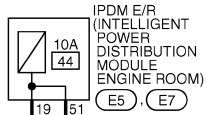
< DTC/CIRCUIT DIAGNOSIS >

[POWER SUPPLY & GROUND CIRCUIT]

## Wiring Diagram - IGNITION POWER SUPPLY FUSE No. 44 -

INFOID:000000005623701

### IGNITION POWER SUPPLY FUSE No. 44



2008/08/07

JCMWA3108GE

A  
B  
C  
D  
E  
F  
G  
H  
I  
J  
K  
L  
N  
O  
P

PG

# POWER SUPPLY ROUTING CIRCUIT

< DTC/CIRCUIT DIAGNOSIS >

[POWER SUPPLY & GROUND CIRCUIT]

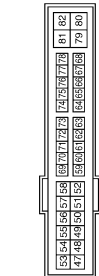
## IGNITION POWER SUPPLY FUSE No. 44

Connector No.	E5
Connector Name	SMILE INTELLIGENT POWER DISTRIBUTION MODULE (ENGINE ROOM)
Connector Type	TH20FW-CS12-M4-1V



Terminal No.	Color of Wire	Signal Name [Specification]
4	V	-
5	L	-
6	SB	-
7	P	-
11	W	-
12	B/W	-
13	Y	-
16	LG	-
19	R	-
25	G	-
26	Y	-
27	BG	-
28	L	-
30	GR	-
32	V	-
33	P	-
36	G	-

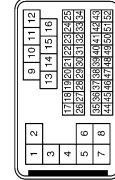
Connector No.	E7
Connector Name	SMILE INTELLIGENT POWER DISTRIBUTION MODULE (ENGINE ROOM)
Connector Type	TH20FW-CS12-M4



Terminal No.	Color of Wire	Signal Name [Specification]
48	L	-
49	BG	-
51	Y	-
53	W	-
54	P	-

55	SB	-
56	BR	-
57	G	-
58	GR	-
69	BR	-
70	BG	-
73	P	-
74	G	-
75	SB	-
76	Y	-
77	R	-
80	W	-

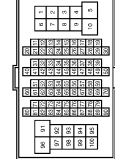
Connector No.	E40
Connector Name	WIRE TO WIRE
Connector Type	SA438MB-RS8-SHZ8



Terminal No.	Color of Wire	Signal Name [Specification]
1	L/Y	-
2	SHIELD	-
3	L/B	-
4	SHIELD	-
5	BR	-
7	G	-
8	W	-
9	W	-
10	Y	-
11	D	-
12	SB	-
13	L	-
14	G	-
15	BG	-
16	BR	-
17	P	-
18	Y	-
19	BG	-
20	B	-
21	SB	-
22	W	-
23	L	-
24	GR	-
25	V	-

27	GR	-
28	V	-
29	P	-
30	R	-
31	BR	-
32	Y	-
33	G	-
34	BG	-
37	SHIELD	-
38	L	-
39	P	-
40	R	-
41	LG	-
42	LG	-
43	G	-
44	LG	-
45	GR	-
46	BR	-
47	W	-
48	B	-
49	G	-
50	B	-
51	SB	-
52	R	-

Connector No.	E106
Connector Name	WIRE TO WIRE
Connector Type	TH80FW-CS16-TM4



Terminal No.	Color of Wire	Signal Name [Specification]
1	V	-
2	SB	-
3	BG	-
5	W	-
6	P	-
7	L	-
11	V	-
12	P	-
13	R	-
14	W	-
15	L	-
16	GR	-
17	SB	-

18	LG	-
29	G	-
31	L	-
32	BG	-
33	P	-
34	Y	-
35	W	-
36	BG	-
37	G	-
38	R	-
40	R	-
41	LG	-
42	SB	-
43	G	-
44	LG	-
45	GR	-
46	BR	-
47	B	-
48	Y	-
49	V	-
50	R	-
51	SB	-
52	P	-
53	G	-
54	B	-
57	GR	-
58	V	-
80	R	-
81	P	-
82	G	-
83	V	-
84	L	-
85	W	-
86	GR	-
87	LG	-
88	L	-
89	BR	-
91	W	-
92	LG	-
93	GR	-
94	SB	-
95	GR	-
96	R	-
97	Y	-
98	SHIELD	-
99	L	-
100	P	-

# POWER SUPPLY ROUTING CIRCUIT

< DTC/CIRCUIT DIAGNOSIS >

[POWER SUPPLY & GROUND CIRCUIT]

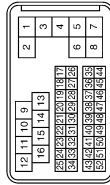
## IGNITION POWER SUPPLY FUSE No. 44

Connector No.	F10
Connector Name	WIRE TO WIRE
Connector Type	RH08FB



Terminal No.	Color of Wire	Signal Name [Specification]
1	G	-
2	GR	-
3	BR	-
4	R	-
5	O	-
6	W	-
7	V	-

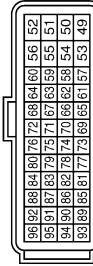
Connector No.	F39
Connector Name	WIRE TO WIRE
Connector Type	SAA38FE-RSS-SHZ8



Terminal No.	Color of Wire	Signal Name [Specification]
1	L/Y	-
2	SHIELD	-
3	L/B	-
4	SHIELD	-
5	BR	-
7	G	-
8	W	-
9	W	-
10	G	-
11	R	-
12	P	-
13	L	-
14	LG	-
15	R	-
16	Y	-

17	W	-
18	LG	-
19	P	-
20	O	-
21	Y	-
22	G	-
23	Y	-
24	LG	-
25	V	-
27	GR	-
28	BR	-
29	L	-
30	R	-
31	P	-
32	W	-
33	SS	-
34	O	-
37	SHIELD	-
38	W	-
39	Y	-
40	G	-
41	B	-
42	GR	-
43	R	-
45	O	-
46	SHIELD	-
47	W/L	-
48	LG	-
49	O/L	-
50	L/Y	-
51	W	-
52	L/G	-

Connector No.	F102
Connector Name	ECM
Connector Type	RH40FER-R28-L-LH-Z



Terminal No.	Color of Wire	Signal Name [Specification]
49	GR	MOTOR Z-B2
50	V	MOTOR L-B2
52	R	YMOIT-B2
53	W	IGNSW

54	Y	ENG CAN-L1
55	LG	ENG CAN-H1
57	L	AF-1
58	O	PHASE#1
60	G	AVCC-PHS 1-E-PHS 1/PS
61	R	AF-1
63	L	PHASE#2
64	SB	AVCC-PHS-E-PHS 2/CU
65	LG	AF-2
66	V	AF-2
67	P	TA1
68	LG	GND GA 1/TA 1
69	W	KNK 2
71	Y	TW
72	SHIELD	GND-KNK
73	W	KNK 1
76	W	OZSR 1
77	SB	GA1+
78	G	TO
79	BR	GA2+
80	O	OZSR 2
81	R	INJ#3
82	V	INJ#6
84	B	GND GA OZS-TW-TO
85	BR	INJ#2
86	W	INJ#5
87	Y	PSPRES
89	GR	INJ#1
90	O	INJ#4
91	SB	CURSEN
92	G	GND-PAHSE#2
93	P	BATT
94	Y	GND-DA 2
95	G	GND-CURSEN
96	P	GND-PAHSE#1/PS

Connector No.	F120
Connector Name	WIRE TO WIRE
Connector Type	RH08MB



Terminal No.	Color of Wire	Signal Name [Specification]
1	G	-

2	GR	-
3	BR	-
4	R	-
5	EG	-
6	W	-
7	V	-

Connector No.	F121
Connector Name	FUEL INJECTOR No. 1
Connector Type	HS02FGY



Terminal No.	Color of Wire	Signal Name [Specification]
1	G	-
2	GR	-

Connector No.	F122
Connector Name	FUEL INJECTOR No. 2
Connector Type	HS02FGY



Terminal No.	Color of Wire	Signal Name [Specification]
1	G	-
2	BR	-

A  
B  
C  
D  
E  
F  
G  
H  
I  
J  
K  
L  
N  
O  
P

# POWER SUPPLY ROUTING CIRCUIT

< DTC/CIRCUIT DIAGNOSIS >

[POWER SUPPLY & GROUND CIRCUIT]

## IGNITION POWER SUPPLY FUSE No. 44

Connector No.	F123
Connector Name	FUEL INJECTOR No. 3
Connector Type	HS2ZFGY



Terminal No.	Color of Wire	Signal Name [Specification]
1	G	-
2	R	-

Connector No.	F124
Connector Name	FUEL INJECTOR No. 4
Connector Type	HS2ZFGY



Terminal No.	Color of Wire	Signal Name [Specification]
1	G	-
2	BG	-

Connector No.	F125
Connector Name	FUEL INJECTOR No. 5
Connector Type	HS2ZFGY



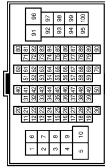
Terminal No.	Color of Wire	Signal Name [Specification]
1	G	-
2	W	-

Connector No.	F126
Connector Name	FUEL INJECTOR No. 6
Connector Type	HS2ZFGY



Terminal No.	Color of Wire	Signal Name [Specification]
1	G	-
2	V	-

Connector No.	M6
Connector Name	WIRE TO WIRE
Connector Type	TR80MM CS16-TM4



Terminal No.	Color of Wire	Signal Name [Specification]
1	W	-
2	GR	-
3	R	-
5	W	-
6	P	-
7	L	-
11	V	-
12	P	-
13	R	-
14	W	-
15	L	-
16	GR	-
17	BR	-
18	L	-
29	G	-
31	L	-
32	Y	-
33	BG	-
34	W	-
35	BR	-

Connector No.	M123
Connector Name	BCM (BODY CONTROL MODULE)
Connector Type	TH40FG-NH



Terminal No.	Color of Wire	Signal Name [Specification]
112	R	RAIN SENSOR SERIAL LINK
113	BG	OPTICAL SENSOR
114	R	CLUTCH INTERLOCK SW
116	SB	STOP LAMP SW 1
118	BR	STOP LAMP SW 2
119	SB	DR DOOR UNLOCK SENSOR
121	SB	KEY SLOT SW
123	V	IGN F/B
124	R	PASSENGER DOOR SW
129	BG	TRUNK LID OPENER CANCEL SW
132	V	POWER WINDOW SW COMM
133	L	PUSH-BUTTON IGNITION SW ILL POWER LOCK IND
134	LG	LOCK IND
137	BG	RECEIVER / SENSOR GND
138	V	RECEIVER / SENSOR POWER SUPPLY
139	L	TIRE PRESSURE RECEIVER COMM
140	B	SHIFT N/P
141	W	SECURITY INDICATOR LAMP
142	BR	COMBI SW OUTPUT 5
143	P	COMBI SW OUTPUT 1
144	G	COMBI SW OUTPUT 2
145	L	COMBI SW OUTPUT 3
146	SB	COMBI SW OUTPUT 4
148	W	TIRE PRESSURE WARN CHECK SW
150	GR	DRIVER DOOR SW
151	G	REAR WINDOW DEFOGGER RELAY CONT

36	P	-
37	P	-
38	G	-
40	V	-
41	LG	-
42	R	-
43	G	-
44	G	-
45	B	- [With A/T]
45	R	- [With M/T]
46	BG	-
47	SB	-
48	Y	-
49	L	-
50	R	-
51	R	-
52	W	-
53	G	-
54	B	-
57	B	-
58	LG	-
60	SB	-
81	B	-
82	V	-
83	W	-
84	L	-
85	GR	-
86	Y	-
87	G	-
88	G	-
89	R	-
91	W	-
92	Y	-
93	BG	-
94	L	-
95	Y	-
96	R	-
97	LG	-
98	SHIELD	-
99	V	-
100	SB	-



# POWER SUPPLY ROUTING CIRCUIT

< DTC/CIRCUIT DIAGNOSIS >

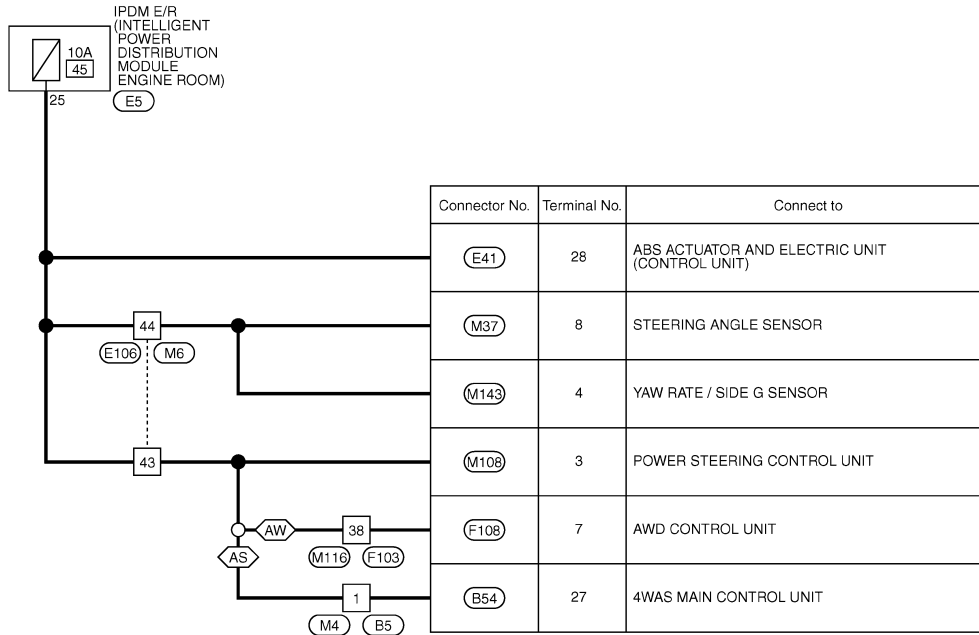
[POWER SUPPLY & GROUND CIRCUIT]

## Wiring Diagram - IGNITION POWER SUPPLY FUSE No. 45 -

INFOID:000000005623702

### IGNITION POWER SUPPLY FUSE No. 45

AW: AWD models  
AS: With 4WAS



2008/08/07

JCMWA3111GE

A  
B  
C  
D  
E  
F  
G  
H  
I  
J  
K  
L  
PG  
N  
O  
P

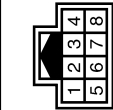
# POWER SUPPLY ROUTING CIRCUIT

< DTC/CIRCUIT DIAGNOSIS >

[POWER SUPPLY & GROUND CIRCUIT]

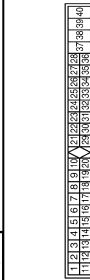
## IGNITION POWER SUPPLY FUSE No. 45

Connector No.	B55
Connector Name	WIRE TO WIRE
Connector Type	TH83MW-NH



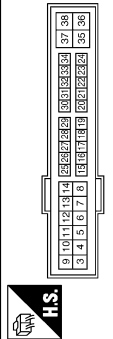
Terminal No.	Color of Wire	Signal Name [Specification]
1	G	-
2	LG	-
3	Y	-
5	GR	-
6	BR	-

Connector No.	B54
Connector Name	AWAS MAIN CONTROL UNIT
Connector Type	A38FW-M4



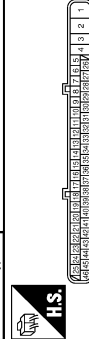
Terminal No.	Color of Wire	Signal Name [Specification]
1	L	CAN-H
4	Y	R-ANG MAIN SIG
5	W	R-ANG VCC
7	R	R-ANG SUB SIG
8	P	CAN-L
15	G	R-ANG GND
22	GR	STOP/L SW
25	SB	R-MTR RLY
27	G	IGN
31	BR	BUS-H
32	Y	BUS-L
34	B	GND
36	LG	P/S SOL
37	P	R-MTR PWR SUPPLY
38	R	R-MTR (RH)
39	G	R-MTR (LH)
40	B	R-MTR GND

Connector No.	E55
Connector Name	ENGINE IN INTELLIGENT POWER DISTRIBUTION MODULE (ENGINE ICDM)
Connector Type	TH28FW-CS12-M4-1V



Terminal No.	Color of Wire	Signal Name [Specification]
4	V	-
5	L	-
6	SB	-
7	P	-
11	W	-
12	B/W	-
13	Y	-
16	LG	-
19	R	-
25	G	-
26	Y	-
27	BG	-
28	L	-
30	GR	-
32	V	-
33	P	-
36	G	-

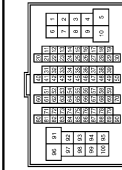
Connector No.	E41
Connector Name	ABS ACTUATOR AND ELECTRIC UNIT (CONTROL UNIT)
Connector Type	BAA42FB-AH24-LH



Terminal No.	Color of Wire	Signal Name [Specification]
1	B	GND
2	GR	UBMR
3	BG	UEVR
4	B	GND
5	Y	DS FL

6	BG	DP RL
7	BR	DP BR
9	B	DP FR
10	W	DS FR
11	V	DS FR
14	P	DIAG-K
25	Y	BUS-L
26	LG	DP FL
27	GR	DS RL
28	G	UZ
29	P	DS RR
30	SB	BLS
31	R	VDC OFF SW
35	L	CAN-H
45	B	BUS-H

Connector No.	E106
Connector Name	WIRE TO WIRE
Connector Type	TH83FW-CS16-TM4



Terminal No.	Color of Wire	Signal Name [Specification]
1	V	-
2	SB	-
3	BG	-
5	W	-
6	P	-
7	L	-
11	V	-
12	P	-
13	R	-
14	W	-
15	L	-
16	GR	-
17	SB	-
18	LG	-
29	G	-
31	L	-
32	BG	-
33	P	-
34	V	-
35	W	-
36	BG	-

37	G	-
38	R	-
40	R	-
41	LG	-
42	SB	-
43	G	-
44	LG	-
45	GR	-
46	BR	-
47	B	-
48	Y	-
49	V	-
50	R	-
51	SB	-
52	P	-
53	G	-
54	B	-
57	GR	-
58	V	-
80	R	-
81	P	-
82	G	-
83	V	-
84	L	-
85	W	-
86	GR	-
87	LG	-
88	L	-
89	BR	-
91	W	-
92	LG	-
93	GR	-
94	SB	-
95	GR	-
96	R	-
97	Y	-
98	SHIELD	-
99	L	-
100	P	-

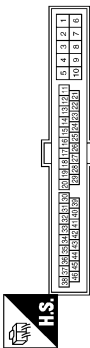
# POWER SUPPLY ROUTING CIRCUIT

< DTC/CIRCUIT DIAGNOSIS >

[POWER SUPPLY & GROUND CIRCUIT]

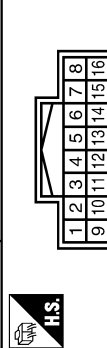
## IGNITION POWER SUPPLY FUSE No. 45

Connector No.	F103
Connector Name	WIRE TO WIRE
Connector Type	TH08FW-NS10



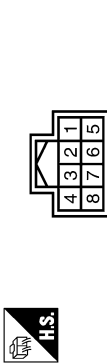
Terminal No.	Color of Wire	Signal Name [Specification]
2	G	-
3	W	-
4	R	-
5	B	-
6	Y	-
7	LG	-
8	P	-
9	B	-
10	GR	-
19	O	-
20	Y	-
28	B	-
29	LG	-
30	R	-
31	R	-
33	B	-
34	B	-
35	L	-
36	P	-
37	Y	-
38	G	-
41	O	-
42	BR	-
43	P	-
44	L	-
45	G	-
46	V	-

Connector No.	F108
Connector Name	AWD CONTROL UNIT
Connector Type	TH16FW-NH



Terminal No.	Color of Wire	Signal Name [Specification]
1	BR	AMD SOL (+)
2	L	AMD SOL (-)
3	W	AMD SOL (-)
7	G	IGN
8	L	CAN-H
9	O	AMD SOL BAT
10	B	GND
11	B	GND
13	LG	OIL TEMP (+)
15	Y	VB
16	P	CAN-L

Connector No.	M4
Connector Name	WIRE TO WIRE
Connector Type	TH08FW-NH



Terminal No.	Color of Wire	Signal Name [Specification]
1	G	-
2	LG	-
3	BG	-
5	R	-
6	L	-

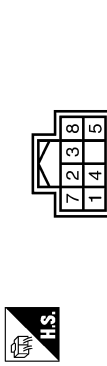
Connector No.	M6
Connector Name	WIRE TO WIRE
Connector Type	TH80MW-GS16-TM4



Terminal No.	Color of Wire	Signal Name [Specification]
1	W	-
2	GR	-

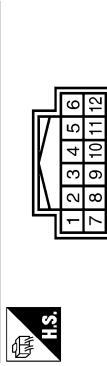
94	L	-
95	Y	-
96	R	-
97	LG	-
98	SHIELD	-
99	V	-
100	SB	-

Connector No.	M37
Connector Name	STEERING ANGLE SENSOR
Connector Type	TH08FW-NH



Terminal No.	Color of Wire	Signal Name [Specification]
1	L	CAN-H
2	P	CAN-L
7	B	GND
8	G	IGN

Connector No.	M108
Connector Name	POWER STEERING CONTROL UNIT
Connector Type	TH12FW-NH



Terminal No.	Color of Wire	Signal Name [Specification]
1	LG	SOL
3	G	VIGN
5	B	SOL GND
6	B	GND
8	SB	VSP
10	R	TACHO

3	R	-
5	W	-
8	P	-
7	L	-
11	V	-
12	P	-
13	R	-
14	W	-
15	L	-
16	GR	-
17	BR	-
18	L	-
29	G	-
31	L	-
32	Y	-
33	BG	-
34	W	-
35	BR	-
36	P	-
37	P	-
38	G	-
40	V	-
41	LG	-
42	R	-
43	G	-
44	G	-
45	B	-
45	B	- [With A/T]
46	BG	-
47	SB	-
48	Y	-
49	L	-
50	R	-
51	R	-
52	W	-
52	W	-
52	G	-
54	B	-
57	B	-
58	LG	-
80	SB	-
81	B	-
82	V	-
83	V	-
84	L	-
85	GR	-
86	Y	-
87	G	-
88	G	-
89	R	-
91	W	-
92	Y	-
93	BG	-

A  
B  
C  
D  
E  
F  
G  
H  
I  
J  
K  
L  
PG  
N  
O  
P

# POWER SUPPLY ROUTING CIRCUIT

< DTC/CIRCUIT DIAGNOSIS >

[POWER SUPPLY & GROUND CIRCUIT]

## IGNITION POWER SUPPLY FUSE No. 45

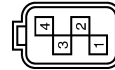
Connector No.	M116
Connector Name	WIRE TO WIRE
Connector Type	TK56AW-NS10



Terminal No.	Color of Wire	Signal Name [Specification]
1	B	GND
2	Y	BUS-L
3	SB	BUS-H
4	G	12V

Terminal No.	Color of Wire	Signal Name [Specification]
2	W	-
3	BG	-
4	P	-
5	B	-
8	R	-
10	R	-
18	BG	-
20	Y	-
28	B	-
29	LG	-
30	LG	-
31	W	-
33	B	-
34	B	-
35	L	-
36	P	-
37	R	-
38	SB	-
41	BG	-
42	G	-
43	P	-
44	L	-
45	Y	-
46	SB	-

Connector No.	M143
Connector Name	YAW RATE / SIDE G SENSOR
Connector Type	AAZ04FE



JCMW5888G

# POWER SUPPLY ROUTING CIRCUIT

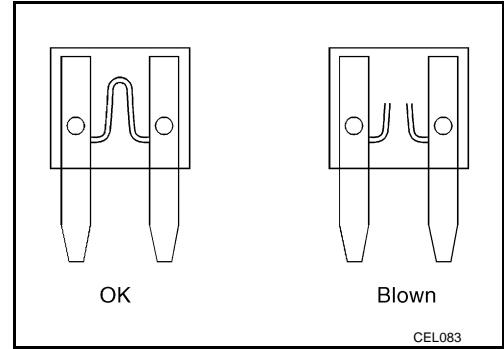
< DTC/CIRCUIT DIAGNOSIS >

[POWER SUPPLY & GROUND CIRCUIT]

## Fuse

INFOID:000000005623703

- If fuse is blown, be sure to eliminate cause of malfunction before installing new fuse.
- Use fuse of specified rating. Never use fuse of more than specified rating.
- Do not partially install fuse; always insert it into fuse holder properly.
- Remove fuse for "ELECTRICAL PARTS (BAT)" if vehicle is not used for a long period of time.



## Fusible Link

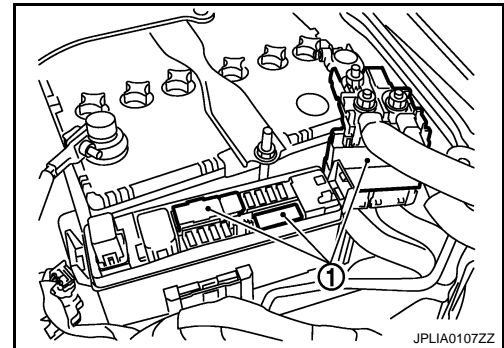
INFOID:000000005623704

A melted fusible link can be detected either by visual inspection or by feeling with finger tip. If its condition is questionable, use circuit tester or test lamp.

1 : Fusible link

### CAUTION:

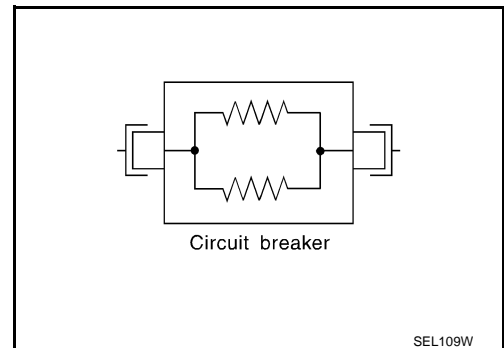
- If fusible link should melt, it is possible that critical circuit (power supply or large current carrying circuit) is shorted. In such a case, carefully check and eliminate cause of malfunction.
- Never wrap outside of fusible link with vinyl tape. Important: Never let fusible link touch any other wiring harness, vinyl or rubber parts.



## Circuit Breaker

INFOID:000000005623705

The PTC thermistor generates heat in response to current flow. The temperature (and resistance) of the thermistor element varies with current flow. Excessive current flow will cause the element's temperature to rise. When the temperature reaches a specified level, the electrical resistance will rise sharply to control the circuit current. Reduced current flow will cause the element to cool. Resistance falls accordingly and normal circuit current flow is allowed to resume.



A  
B  
C  
D  
E  
F  
G  
H  
I  
J  
K  
L  
PG  
N  
O  
P

# HARNESS LAYOUT

< DTC/CIRCUIT DIAGNOSIS >

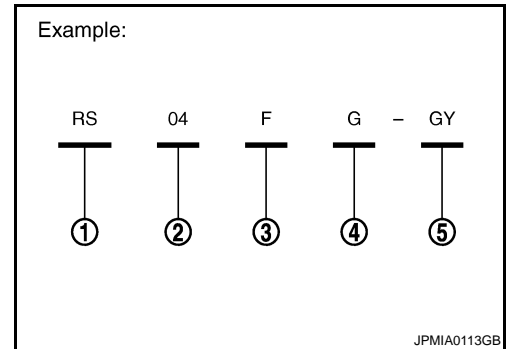
[POWER SUPPLY & GROUND CIRCUIT]

## HARNESS LAYOUT

### How To Read Harness Layout






INFOID:000000005623706

- 1 : Connector model
- 2 : Cavity
- 3 : Male (M) and female (F) terminals
- 4 : Connector color
- 5 : Special type



### CONNECTOR SYMBOL

Main symbols of connector (in Harness Layout) are indicated in the below.

Connector type	Water proof type		Standard type	
	Male	Female	Male	Female
Connector symbol				
Ground terminal etc.	—			

JPMA0114GB

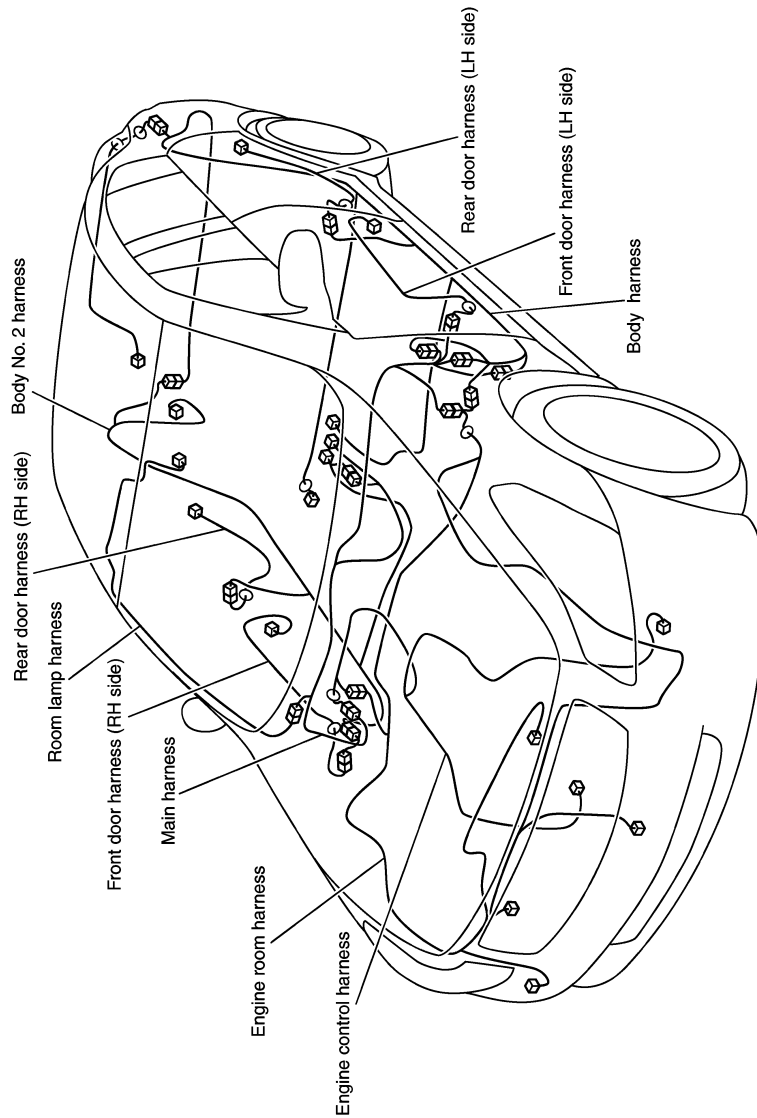
# HARNES LAYOUT

< DTC/CIRCUIT DIAGNOSIS >

[POWER SUPPLY & GROUND CIRCUIT]

## Outline

INFOID:000000005623707



OUTLINE

2008/08/07

JCMIM0536GB

A  
B  
C  
D  
E  
F  
G  
H  
I  
J  
K  
L  
PG  
N  
O  
P

# HARNES LAYOUT

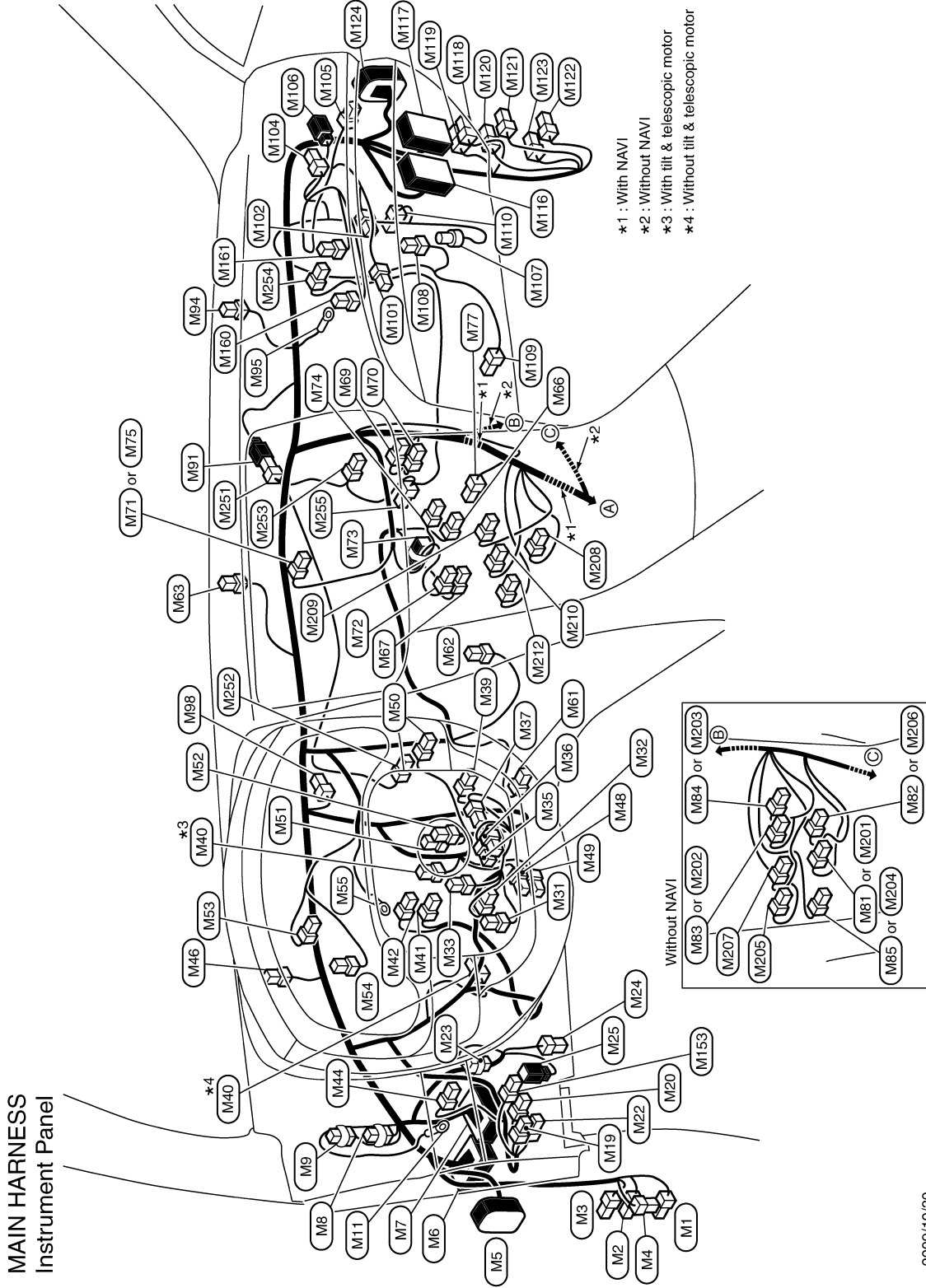
< DTC/CIRCUIT DIAGNOSIS >

[POWER SUPPLY & GROUND CIRCUIT]

## Main Harness

INFOID:000000005623708

### INSTRUMENT PANEL



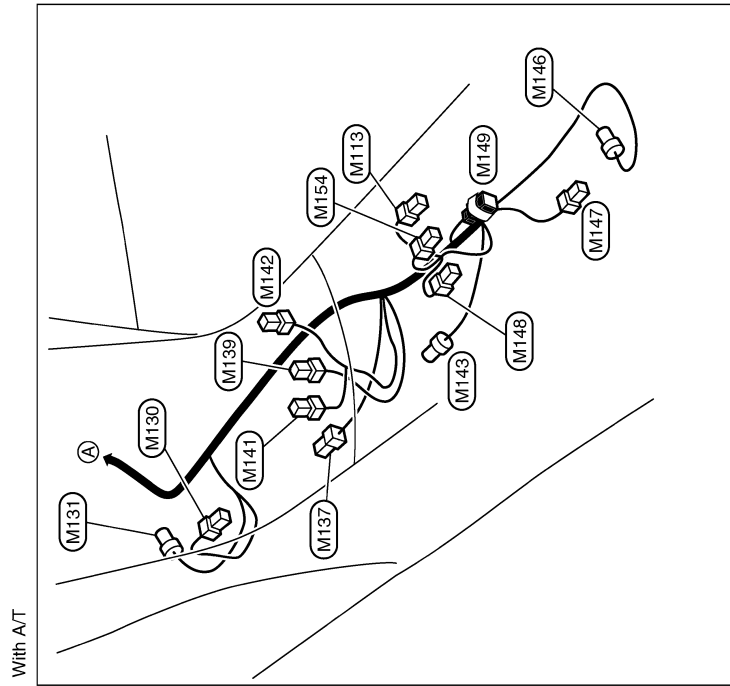
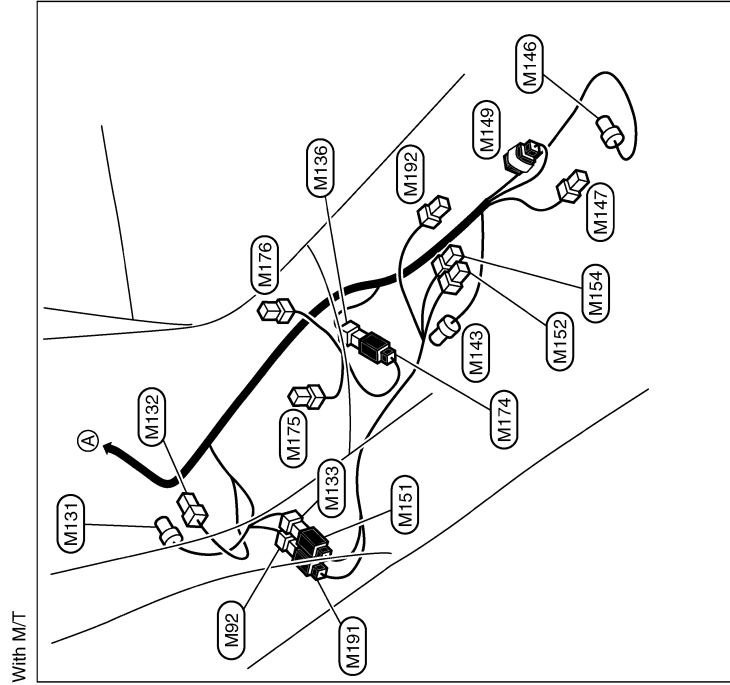


# HARNES LAYOUT

< DTC/CIRCUIT DIAGNOSIS >

[POWER SUPPLY & GROUND CIRCUIT]

## FLOOR CONSOLE



Floor Console

A  
B  
C  
D  
E  
F  
G  
H  
I  
J  
K  
L  
N  
O  
P

PG

2009/10/30

JCMIA0695GB

# HARNESS LAYOUT

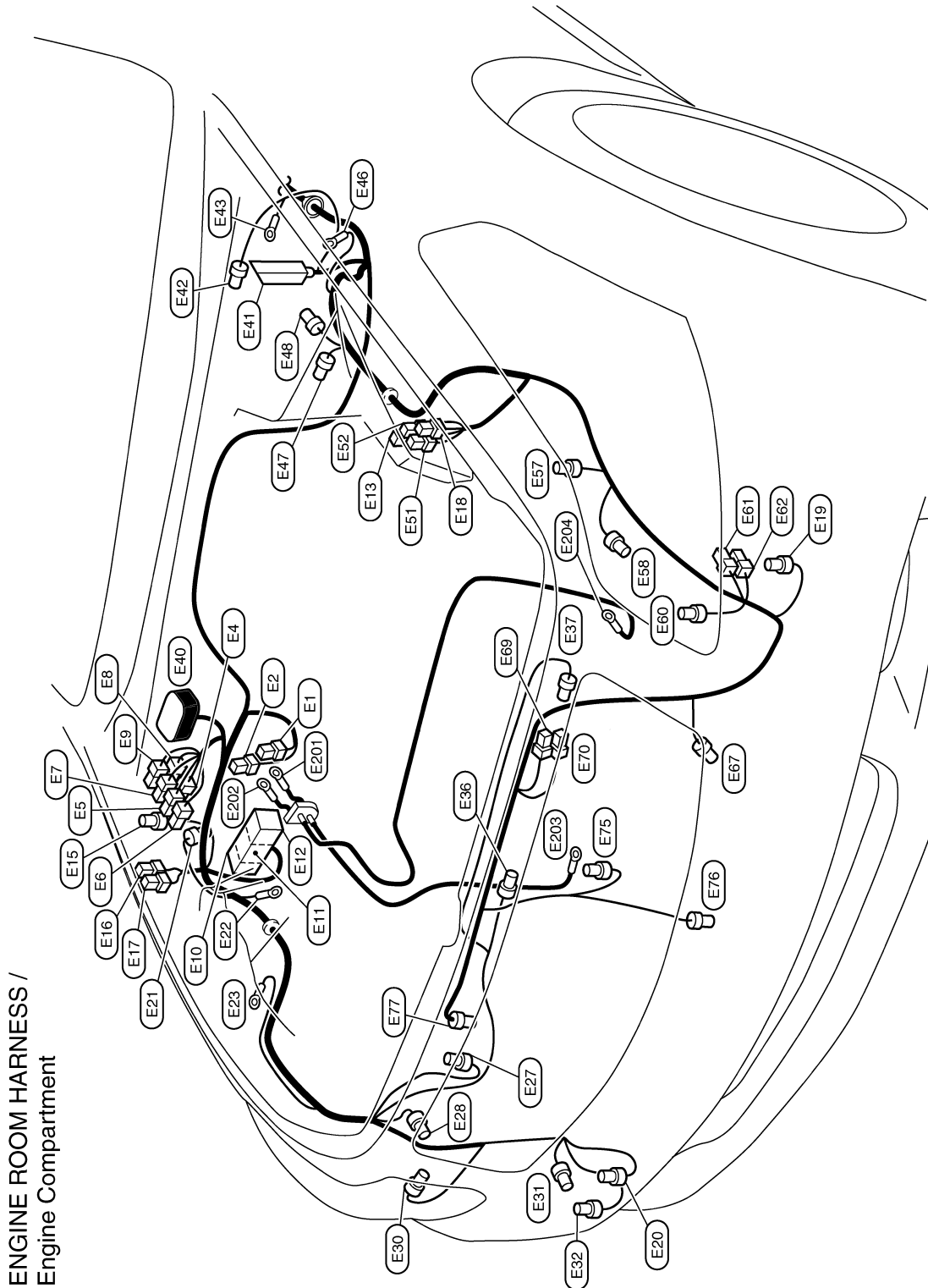
< DTC/CIRCUIT DIAGNOSIS >

[POWER SUPPLY & GROUND CIRCUIT]

## Engine Room Harness

INFOID:000000005623709

### ENGINE COMPARTMENT



ENGINE ROOM HARNESS /  
Engine Compartment

2009/10/30

JCMIA0696GB

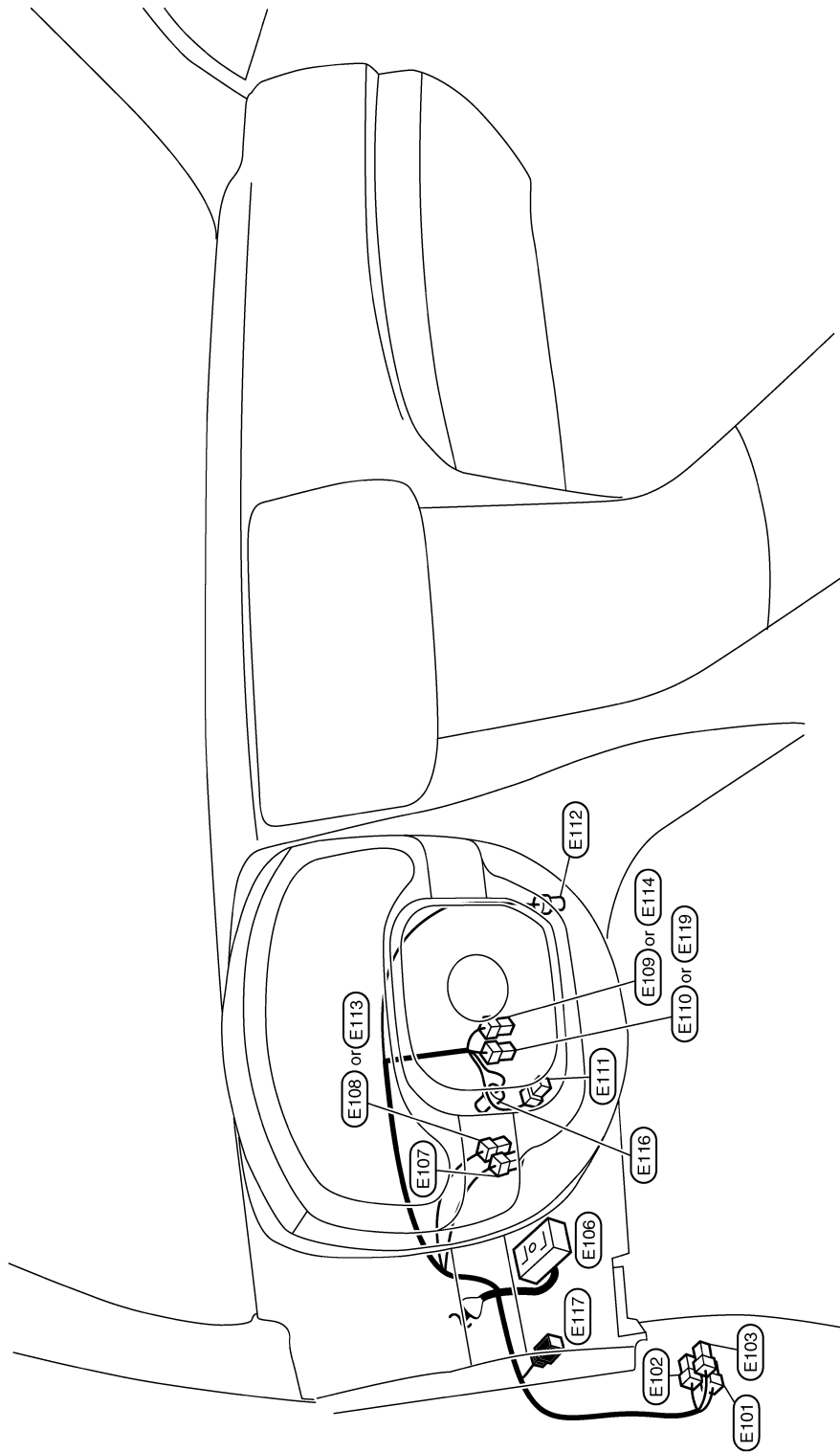
# HARNES LAYOUT

< DTC/CIRCUIT DIAGNOSIS >

[POWER SUPPLY & GROUND CIRCUIT]

PASSENGER COMPARTMENT

Passenger Compartment



2009/10/30

JCMIA0697GB

A  
B  
C  
D  
E  
F  
G  
H  
I  
J  
K  
L  
PG  
N  
O  
P

# HARNES LAYOUT

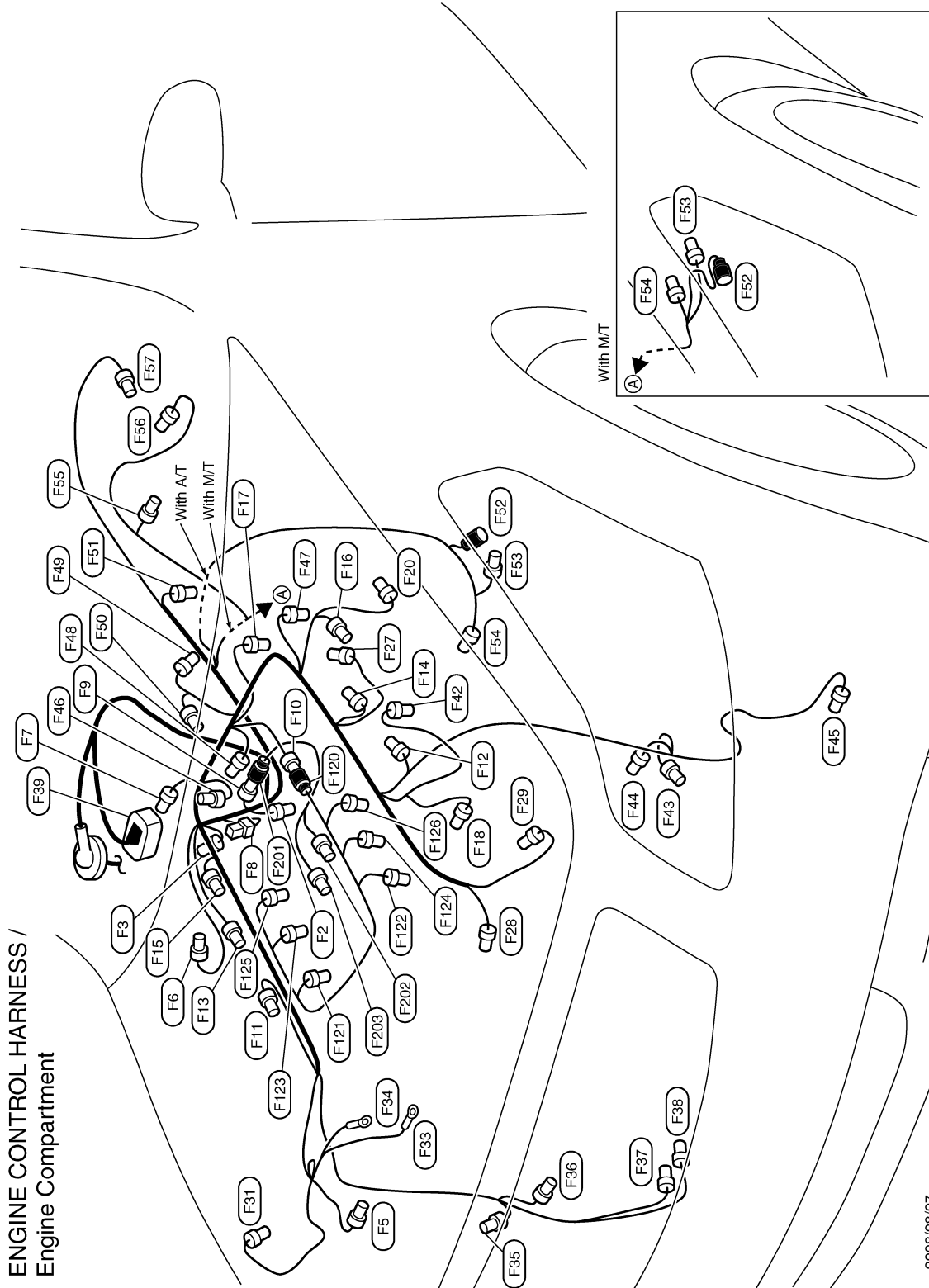
< DTC/CIRCUIT DIAGNOSIS >

[POWER SUPPLY & GROUND CIRCUIT]

## Engine Control Harness

INFOID:000000005623710

### ENGINE COMPARTMENT



2008/08/07

JCMIM0540GB

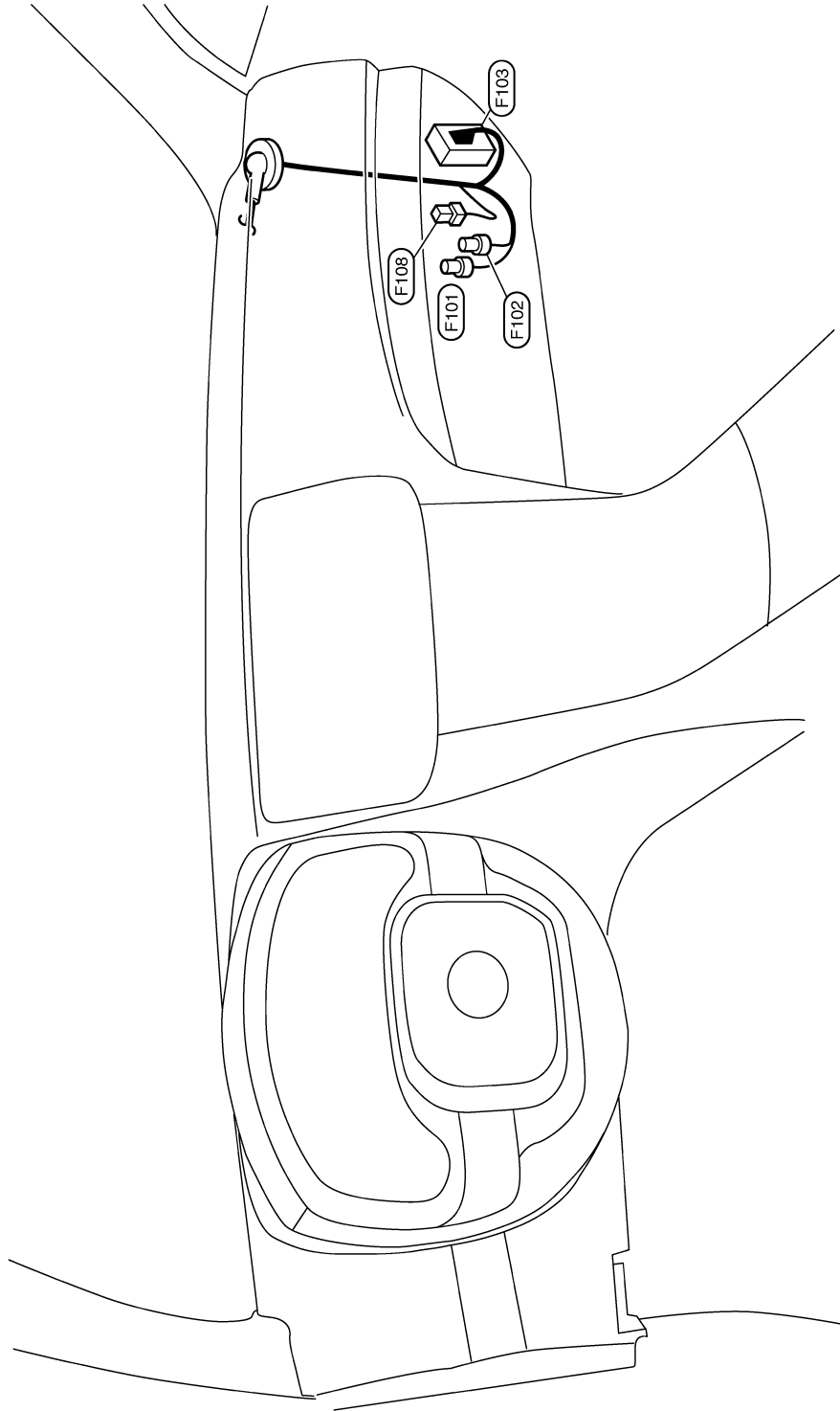
# HARNES LAYOUT

< DTC/CIRCUIT DIAGNOSIS >

[POWER SUPPLY & GROUND CIRCUIT]

PASSENGER COMPARTMENT

Passenger Compartment



A  
B  
C  
D  
E  
F  
G  
H  
I  
J  
K  
L  
PG  
N  
O  
P

2009/10/30

JCMIA0698GB

# HARNES LAYOUT

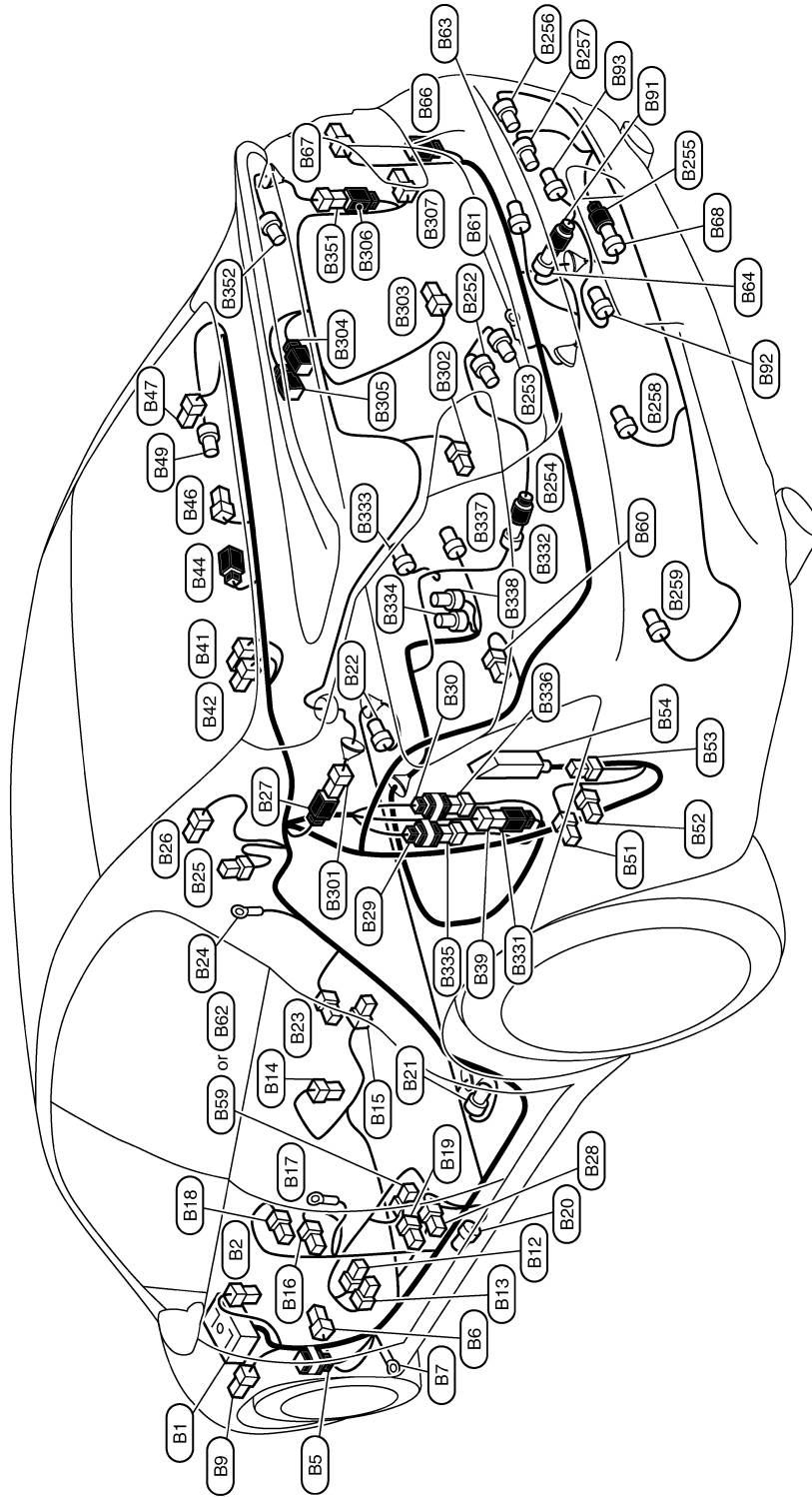
< DTC/CIRCUIT DIAGNOSIS >

[POWER SUPPLY & GROUND CIRCUIT]

## Body Harness

INFOID:000000005623711

BODY HARNESS



2009/10/30

JCMIA0699GB

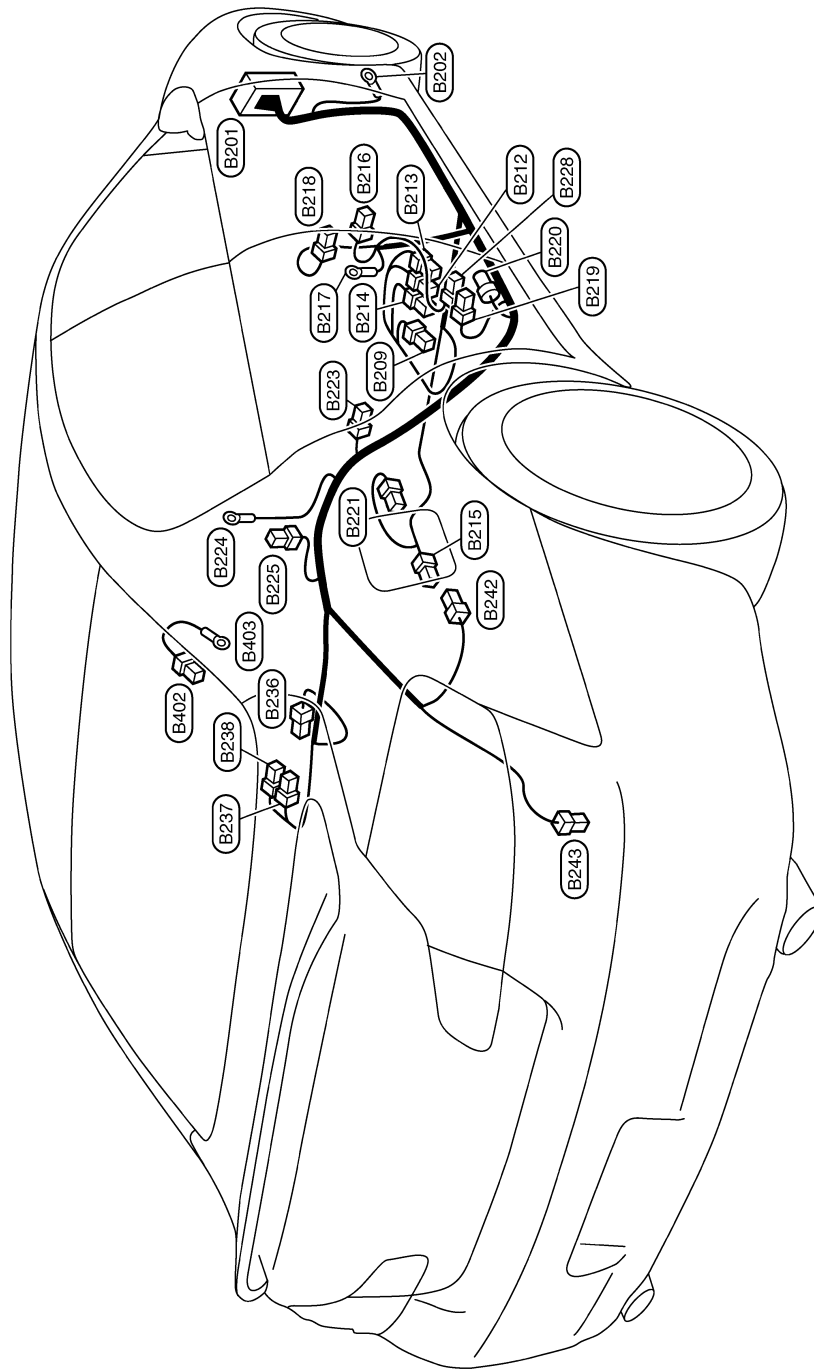
# HARNESS LAYOUT

< DTC/CIRCUIT DIAGNOSIS >

[POWER SUPPLY & GROUND CIRCUIT]

Body No. 2 Harness

INFOID:000000005623712



BODY No. 2 HARNESS

A  
B  
C  
D  
E  
F  
G  
H  
I  
J  
K  
L  
PG  
N  
O  
P

2009/10/30

JCMIA0700GB

# HARNES LAYOUT

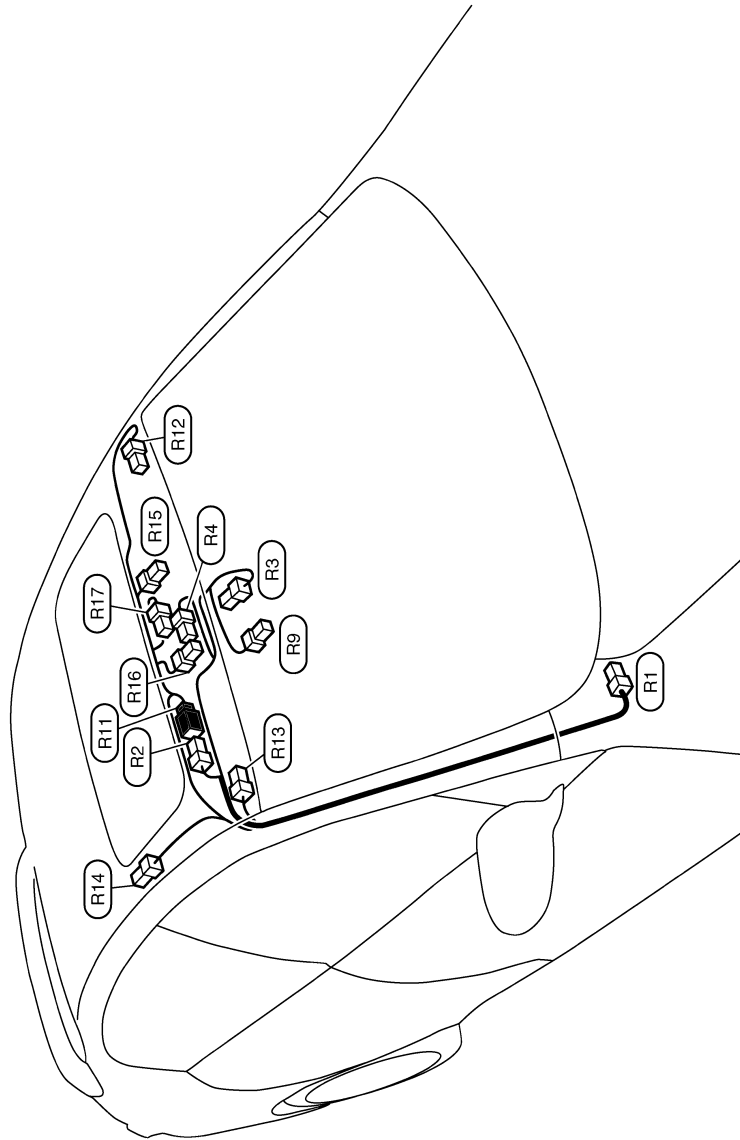
< DTC/CIRCUIT DIAGNOSIS >

[POWER SUPPLY & GROUND CIRCUIT]

## Room Lamp Harness

INFOID:000000005623713

ROOM LAMP HARNESS



2009/10/30

JCMIA0701GB



# HARNESS LAYOUT

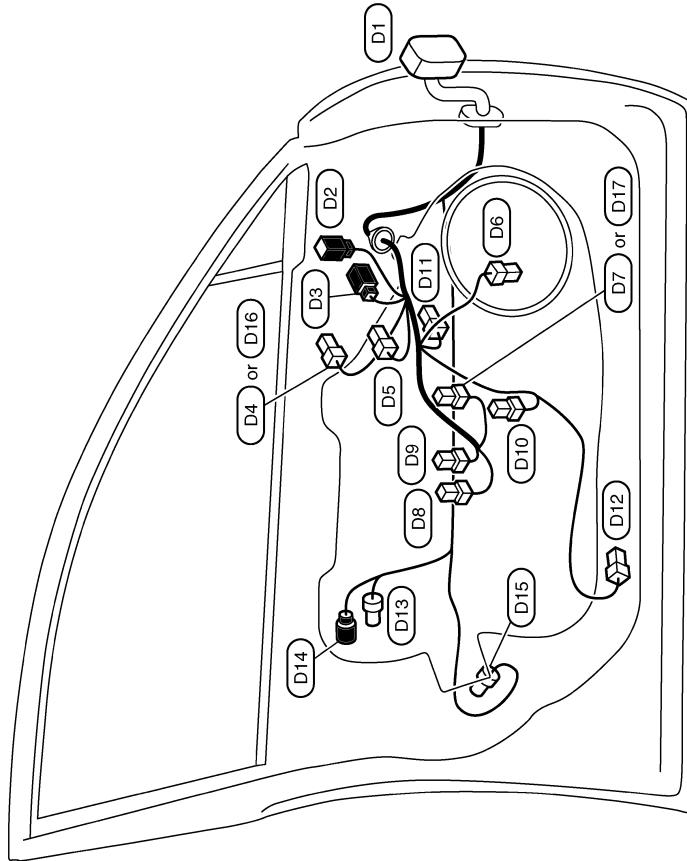
< DTC/CIRCUIT DIAGNOSIS >

[POWER SUPPLY & GROUND CIRCUIT]

## Front Door Harness (LH Side)

INFOID:000000005623714

FRONT DOOR HARNESS (LH SIDE)



A  
B  
C  
D  
E  
F  
G  
H  
I  
J  
K  
L  
PG  
N  
O  
P

2008/08/07

JCMIM0544GB

# HARNESS LAYOUT

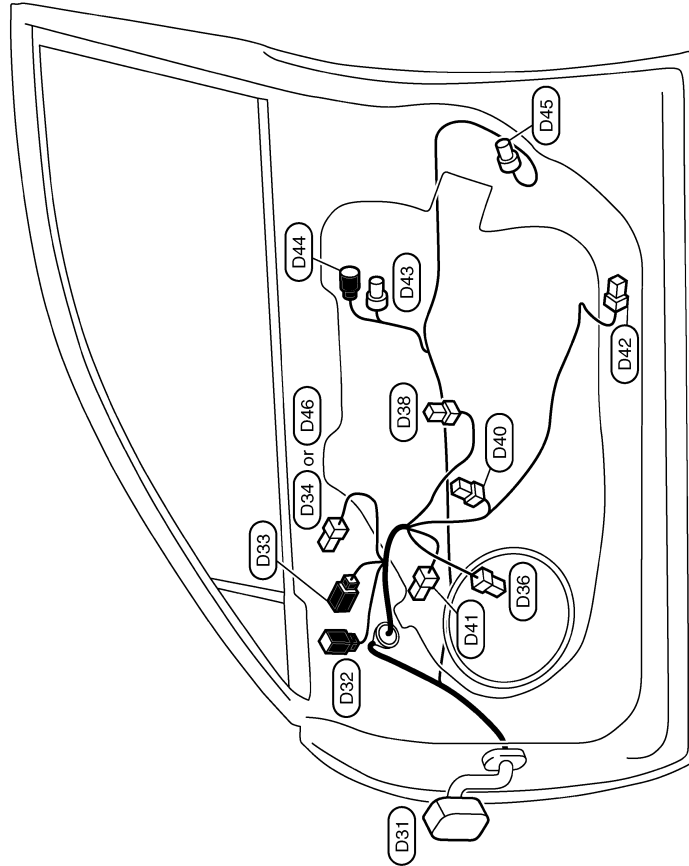
< DTC/CIRCUIT DIAGNOSIS >

[POWER SUPPLY & GROUND CIRCUIT]

## Front Door Harness (RH Side)

INFOID:000000005623715

FRONT DOOR HARNESS (RH SIDE)



2008/08/07

JCMIM0545GB

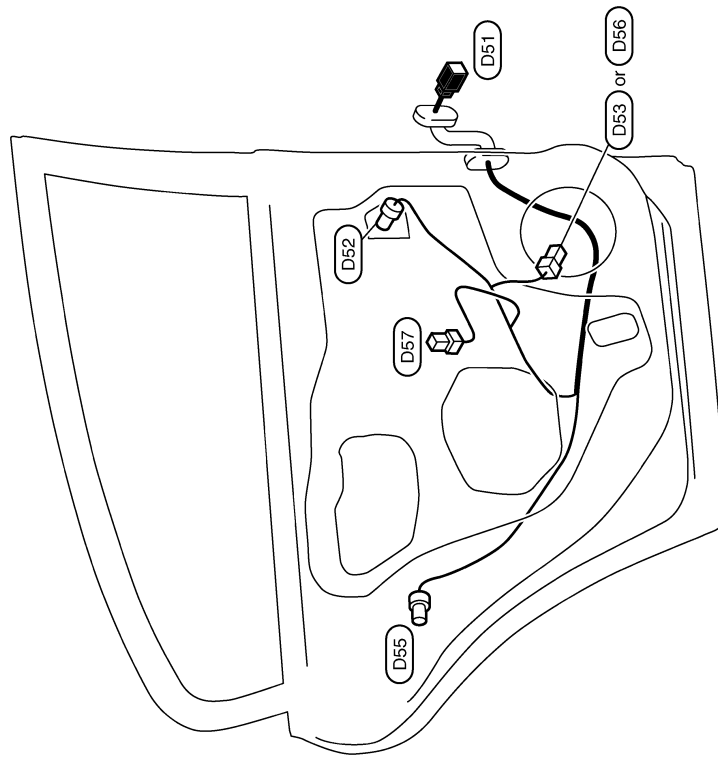
# HARNESS LAYOUT

< DTC/CIRCUIT DIAGNOSIS >

[POWER SUPPLY & GROUND CIRCUIT]

## Rear Door Harness (LH Side)

INFOID:000000005623716



REAR DOOR HARNESS (LH SIDE)

A  
B  
C  
D  
E  
F  
G  
H  
I  
J  
K  
L  
PG  
N  
O  
P

2009/10/30

JCMIA0702GB

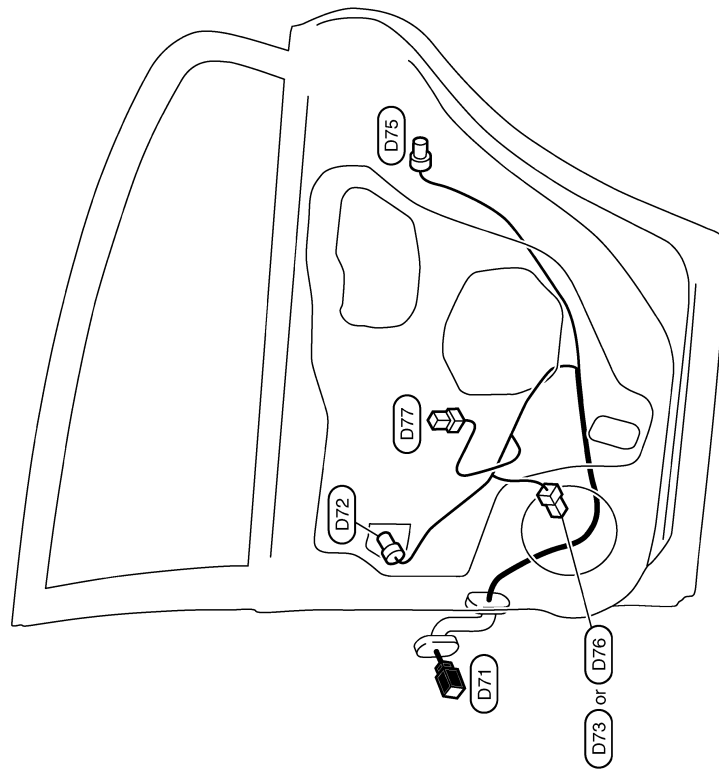
# HARNES LAYOUT

< DTC/CIRCUIT DIAGNOSIS >

[POWER SUPPLY & GROUND CIRCUIT]

## Rear Door Harness (RH Side)

INFOID:000000005623717



REAR DOOR HARNESS (RH SIDE)

2009/10/30

JCMIA0703GB

# HARNESS CONNECTOR

< DTC/CIRCUIT DIAGNOSIS >

[POWER SUPPLY & GROUND CIRCUIT]

## HARNESS CONNECTOR

### Description

INFOID:000000005623718

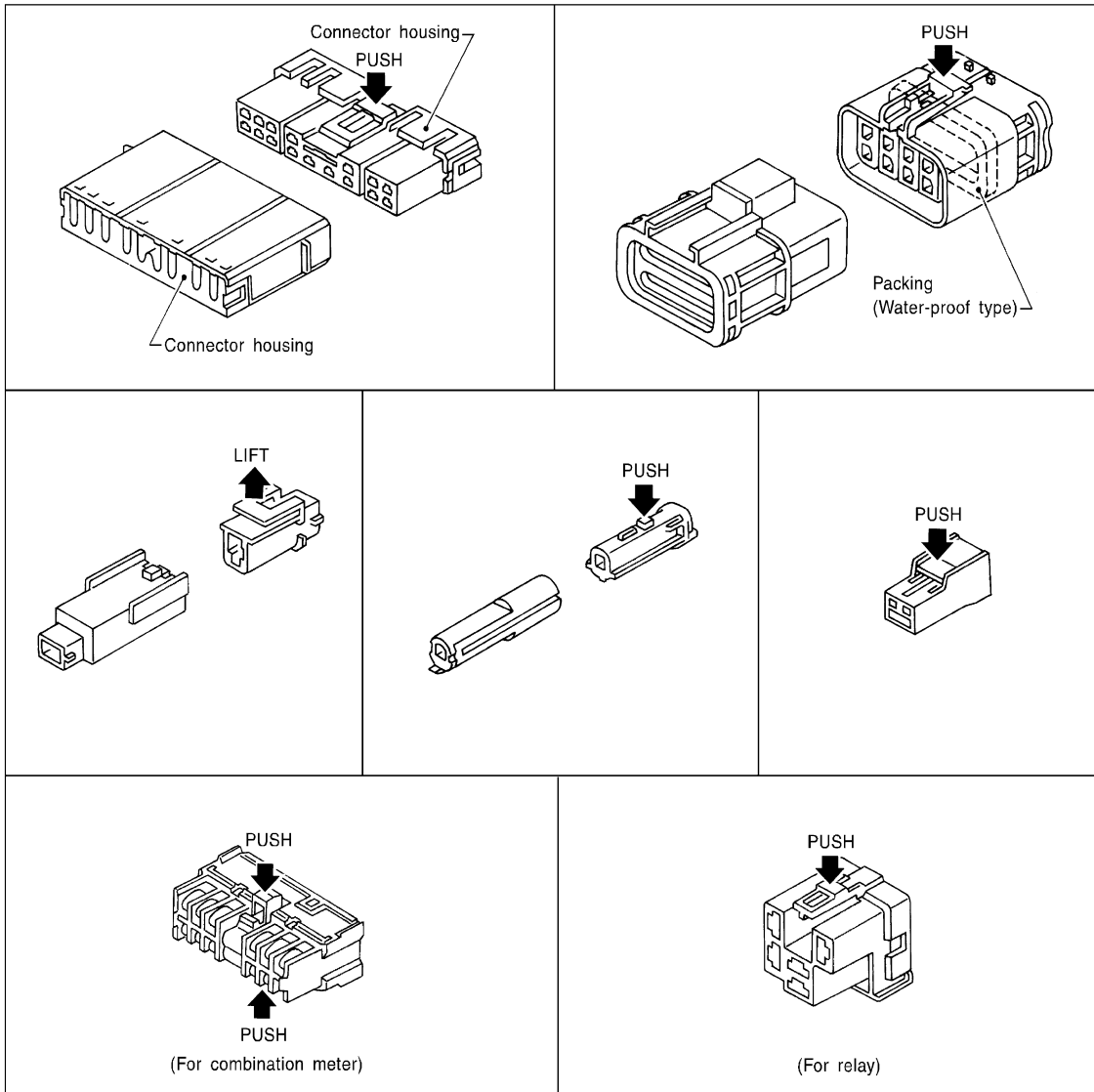
#### HARNESS CONNECTOR (TAB-LOCKING TYPE)

- The tab-locking type connectors help prevent accidental looseness or disconnection.
- The tab-locking type connectors are disconnected by pushing or lifting the locking tab(s). Refer to the figure below.

#### **CAUTION:**

**Never pull the harness or wires when disconnecting the connector.**

[Example]



SEL769DA

#### HARNESS CONNECTOR (SLIDE-LOCKING TYPE)

- A new style slide-locking type connector is used on certain systems and components, especially those related to OBD.
- The slide-locking type connectors help prevent incomplete locking and accidental looseness or disconnection.
- The slide-locking type connectors are disconnected by pushing or pulling the slider. Refer to the figure below.

A  
B  
C  
D  
E  
F  
G  
H  
I  
J  
K  
L  
PG  
N  
O  
P

# HARNESS CONNECTOR

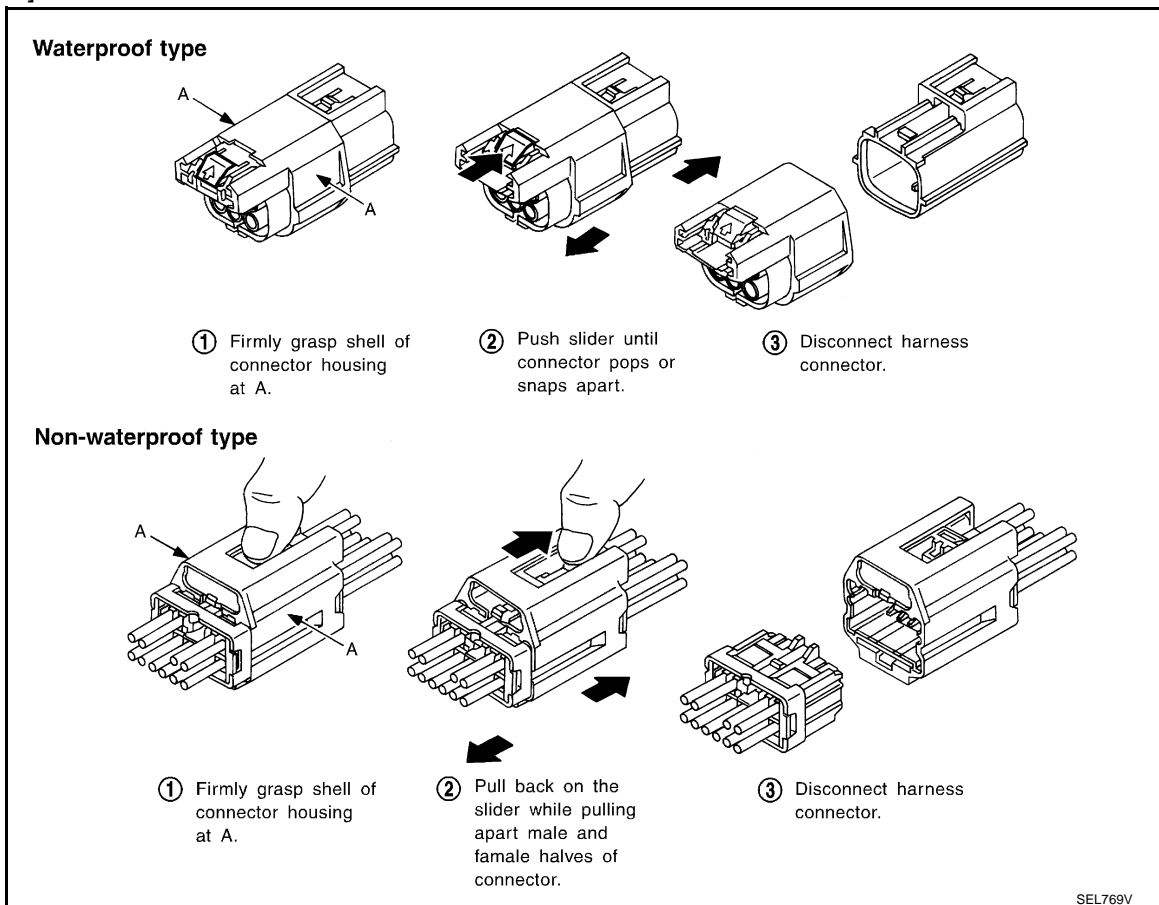
< DTC/CIRCUIT DIAGNOSIS >

[POWER SUPPLY & GROUND CIRCUIT]

## CAUTION:

- Never pull the harness or wires when disconnecting the connector.
- Be careful not to damage the connector support bracket when disconnecting the connector.

[Example]



## HARNESS CONNECTOR (LEVER LOCKING TYPE)

- Lever locking type harness connectors are used on certain control units and control modules such as ECM, ABS actuator and electric unit (control unit), etc.
- Lever locking type harness connectors are also used on super multiple junction (SMJ) connectors.
- Always confirm the lever is fully locked in place by moving the lever as far as it will go to ensure full connection.

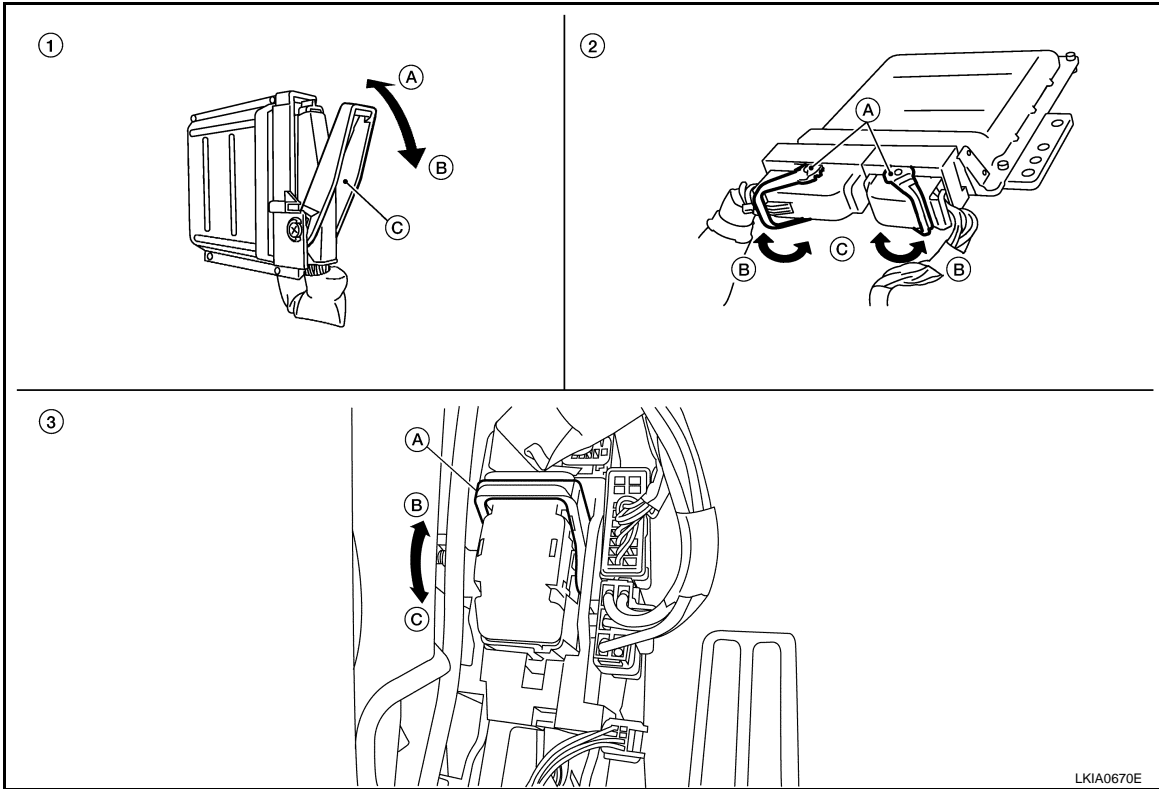
## CAUTION:

# HARNESS CONNECTOR

< DTC/CIRCUIT DIAGNOSIS >

[POWER SUPPLY & GROUND CIRCUIT]

Always confirm the lever is fully released (loosened) before attempting to disconnect or connect these connectors to avoid damage to the connector housing or terminals.



1. Control unit with single lever  
A. Fasten  
B. Loosen  
C. Lever

2. Control unit with dual levers  
A. Levers  
B. Fasten  
C. Loosen

3. SMJ connector  
A. Lever  
B. Fasten  
C. Loosen

A  
B  
C  
D  
E  
F  
G  
H  
I  
J  
K  
L  
N  
O  
P

PG

# STANDARDIZED RELAY

< DTC/CIRCUIT DIAGNOSIS >

[POWER SUPPLY & GROUND CIRCUIT]

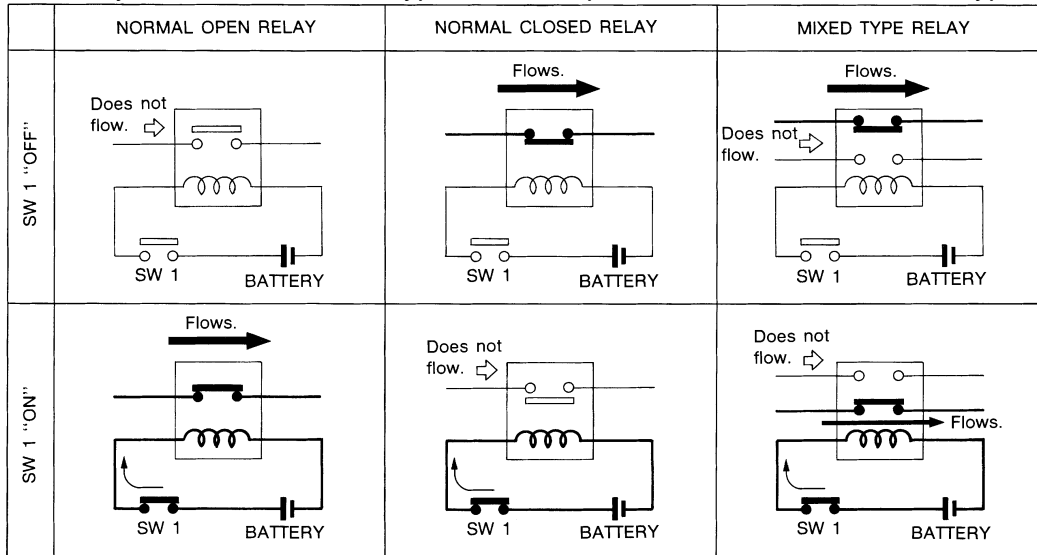
## STANDARDIZED RELAY

### Description

INFOID:000000005623719

### NORMAL OPEN, NORMAL CLOSED AND MIXED TYPE RELAYS

Relays can mainly be divided into three types: normal open, normal closed and mixed type relays.



SEL881H

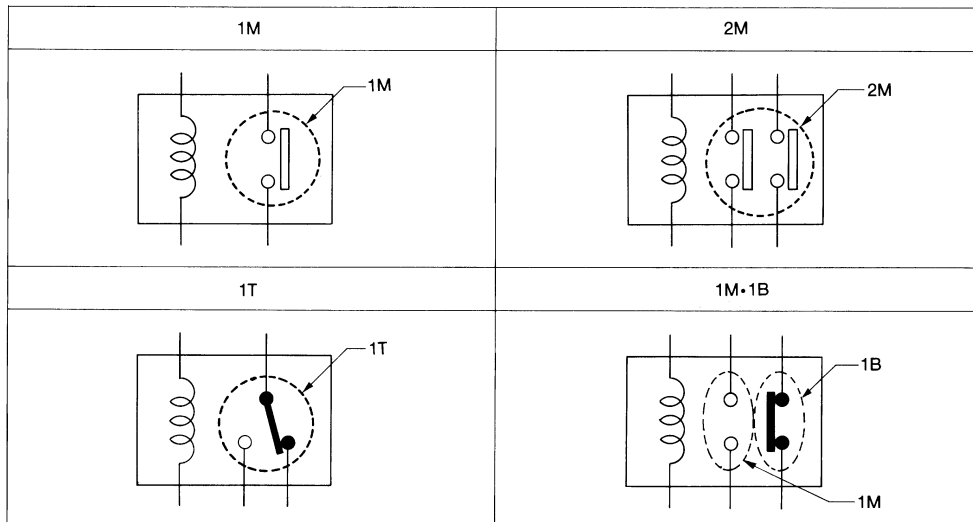
### TYPE OF STANDARDIZED RELAYS

1M ..... 1 Make

2M ..... 2 Make

1T ..... 1 Transfer

1M-1B ..... 1 Make 1 Break



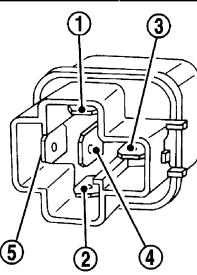
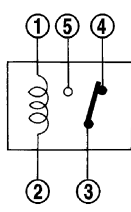
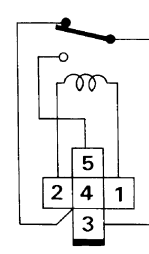
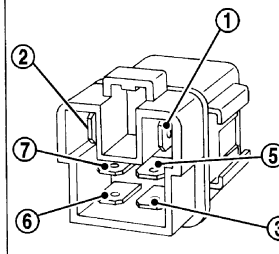
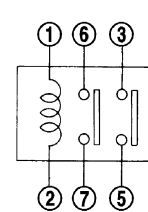
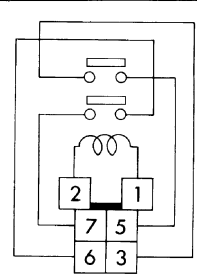
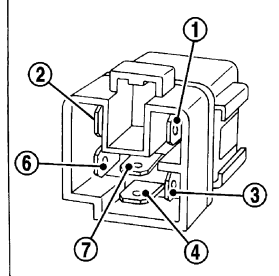
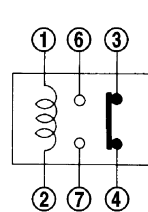
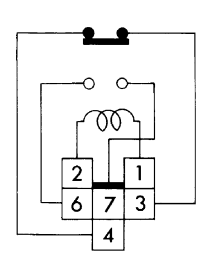
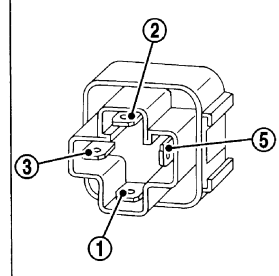
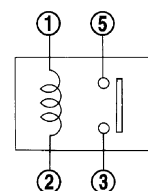
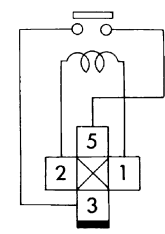
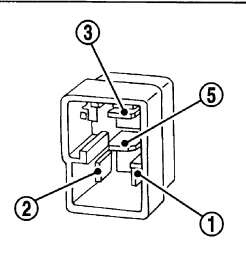
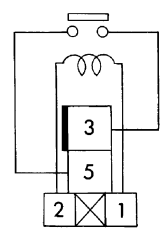
SEL882H



# STANDARDIZED RELAY

< DTC/CIRCUIT DIAGNOSIS >

[POWER SUPPLY & GROUND CIRCUIT]

Type	Outer view	Circuit	Connector symbol and connection	Case color
1T				BLACK
2M				BROWN
1M•1B				GRAY
1M				BLUE
				

The arrangement of terminal numbers on the actual relays may differ from those shown above.

SEL188W

A  
B  
C  
D  
E  
F  
G  
H  
I  
J  
K  
L  
PG  
N  
O  
P

# FUSE BLOCK - JUNCTION BOX (J/B)

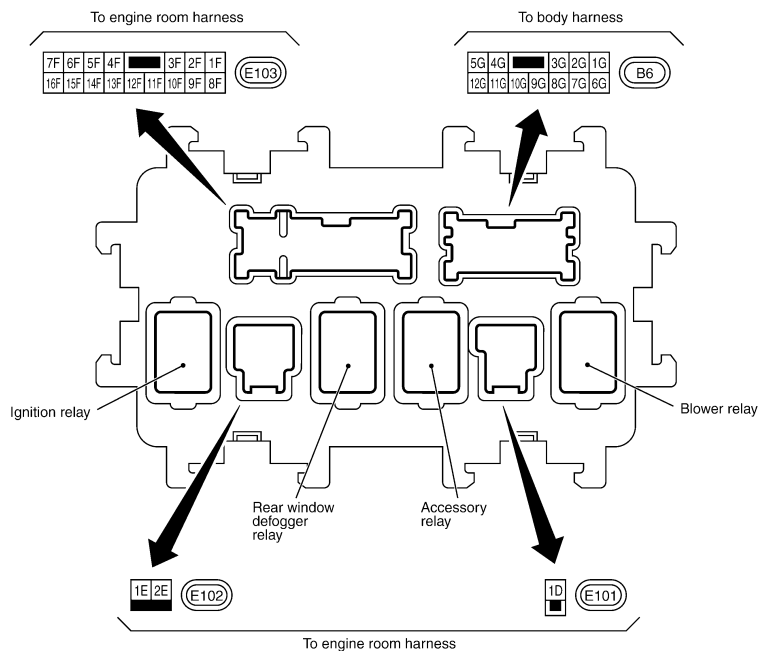
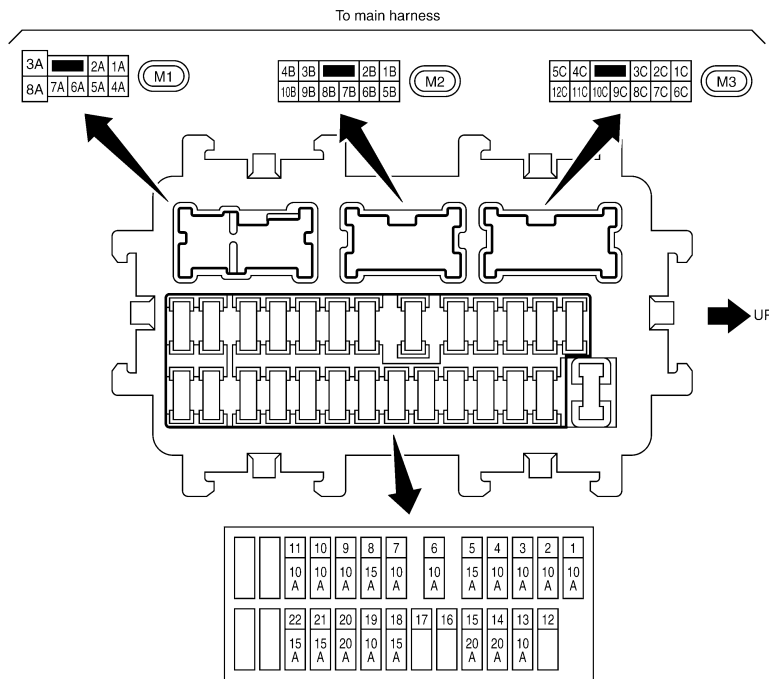
< DTC/CIRCUIT DIAGNOSIS >

[POWER SUPPLY & GROUND CIRCUIT]

## FUSE BLOCK - JUNCTION BOX (J/B)

### Fuse, Connector and Terminal Arrangement

INFOID:000000005623720



2009/10/30

JCMWM5889G

# FUSE, FUSIBLE LINK AND RELAY BOX

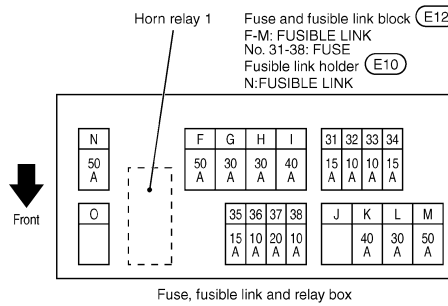
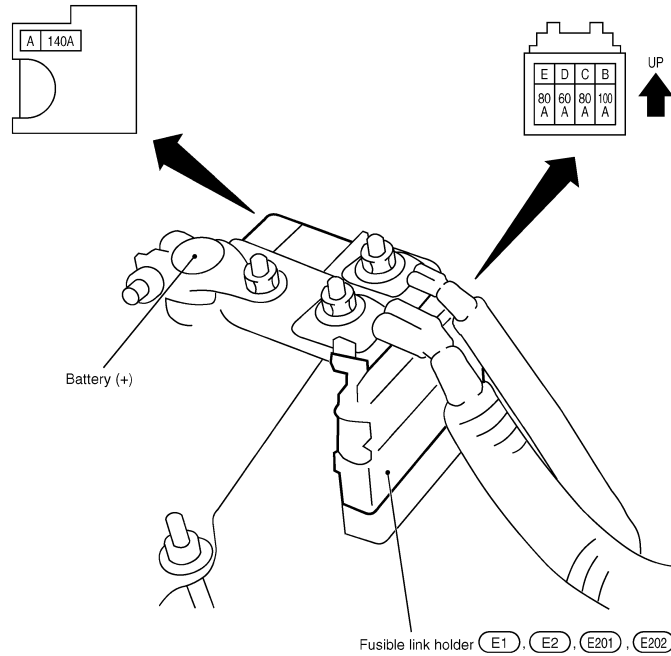
< DTC/CIRCUIT DIAGNOSIS >

[POWER SUPPLY & GROUND CIRCUIT]

## FUSE, FUSIBLE LINK AND RELAY BOX

### Fuse and Fusible Link Arrangement

INFOID:000000005623721



2008/08/07

JCMWA3115GE

A  
B  
C  
D  
E  
F  
G  
H  
I  
J  
K  
L  
PG  
N  
O  
P

# IPDM E/R (INTELLIGENT POWER DISTRIBUTION MODULE ENGINE ROOM)

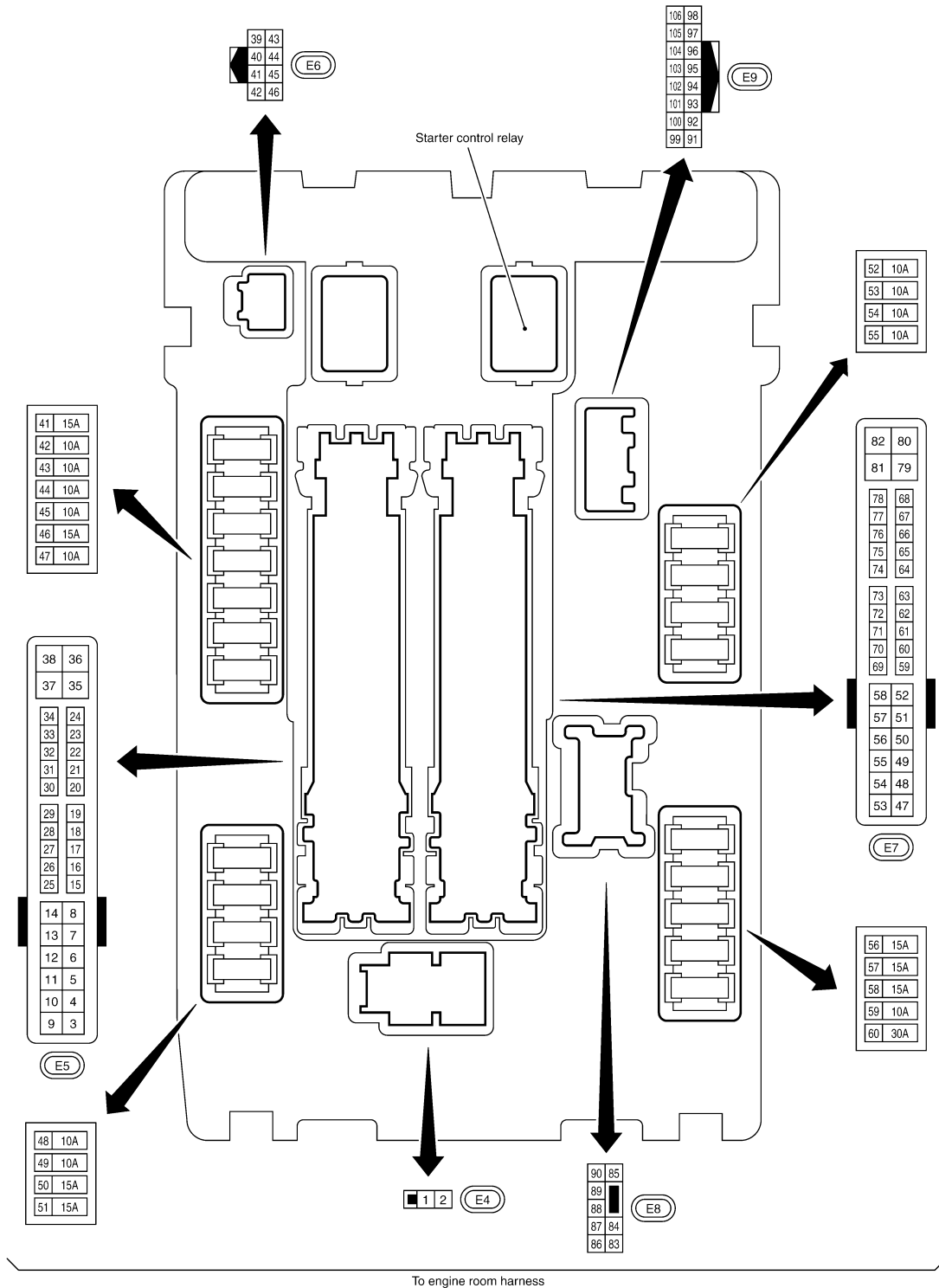
< DTC/CIRCUIT DIAGNOSIS >

[POWER SUPPLY & GROUND CIRCUIT]

## IPDM E/R (INTELLIGENT POWER DISTRIBUTION MODULE ENGINE ROOM)

### Fuse, Connector and Terminal Arrangement

INFOID:000000005623722



2009/10/30

JCMWM5890G

< PRECAUTION >

PRECAUTION

PRECAUTIONS

Precaution for Supplemental Restraint System (SRS) "AIR BAG" and "SEAT BELT PRE-TENSIONER"

INFOID:000000005623723

The Supplemental Restraint System such as "AIR BAG" and "SEAT BELT PRE-TENSIONER", used along with a front seat belt, helps to reduce the risk or severity of injury to the driver and front passenger for certain types of collision. This system includes seat belt switch inputs and dual stage front air bag modules. The SRS system uses the seat belt switches to determine the front air bag deployment, and may only deploy one front air bag, depending on the severity of a collision and whether the front occupants are belted or unbelted. Information necessary to service the system safely is included in the "SRS AIR BAG" and "SEAT BELT" of this Service Manual.

**WARNING:**

- To avoid rendering the SRS inoperative, which could increase the risk of personal injury or death in the event of a collision which would result in air bag inflation, all maintenance must be performed by an authorized NISSAN/INFINITI dealer.
- Improper maintenance, including incorrect removal and installation of the SRS, can lead to personal injury caused by unintentional activation of the system. For removal of Spiral Cable and Air Bag Module, see the "SRS AIR BAG".
- Do not use electrical test equipment on any circuit related to the SRS unless instructed to in this Service Manual. SRS wiring harnesses can be identified by yellow and/or orange harnesses or harness connectors.

PRECAUTIONS WHEN USING POWER TOOLS (AIR OR ELECTRIC) AND HAMMERS

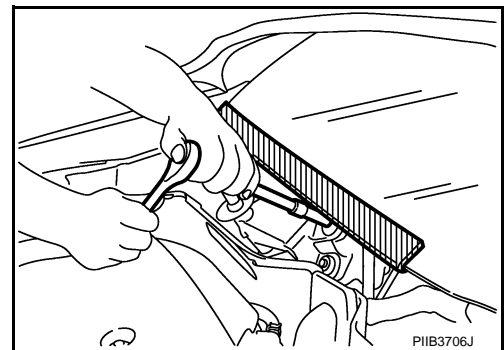
**WARNING:**

- When working near the Air Bag Diagnosis Sensor Unit or other Air Bag System sensors with the ignition ON or engine running, DO NOT use air or electric power tools or strike near the sensor(s) with a hammer. Heavy vibration could activate the sensor(s) and deploy the air bag(s), possibly causing serious injury.
- When using air or electric power tools or hammers, always switch the ignition OFF, disconnect the battery, and wait at least 3 minutes before performing any service.

Precaution for Procedure without Cowl Top Cover

INFOID:000000005623724

When performing the procedure after removing cowl top cover, cover the lower end of windshield with urethane, etc.



A  
B  
C  
D  
E  
F  
G  
H  
I  
J  
K  
L  
PG  
N  
O  
P

# PREPARATION

[POWER SUPPLY & GROUND CIRCUIT]

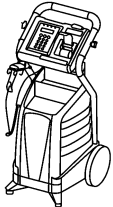
< PREPARATION >

## PREPARATION

### PREPARATION

#### Special Service Tools

INFOID:000000005623725

Tool number (Kent-Moore No.) Tool name	Description
<p>— (J-48087) Battery Service Center</p>  <p>WKIA5280E</p>	<p>Tests battery. For operating instructions, refer to Technical Service Bulletin and Battery Service Center User Guide.</p>

# BATTERY

< REMOVAL AND INSTALLATION >

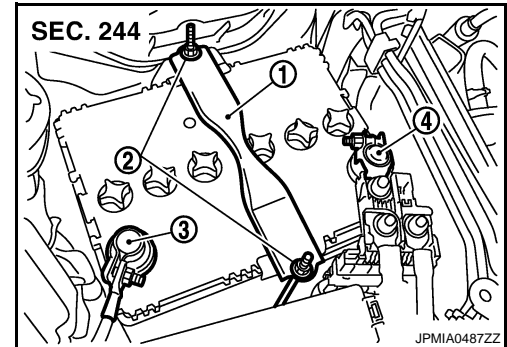
[POWER SUPPLY & GROUND CIRCUIT]

## REMOVAL AND INSTALLATION

### BATTERY

#### Exploded View

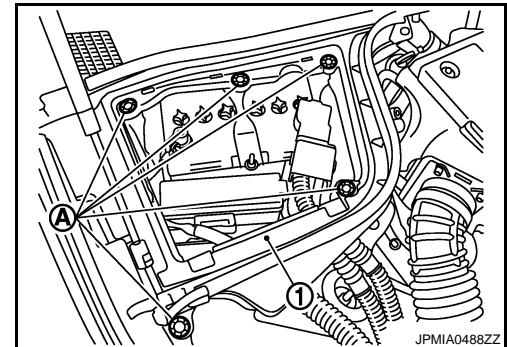
- 1 : Battery fix frame
- 2 : Battery fix frame mounting nuts
- 3 : Battery terminal (-)
- 4 : Battery terminal (+)



#### Removal and Installation

##### REMOVAL

1. Remove battery cover.
2. Remove the clips (A), and remove hoodledge cover (RH) (1).

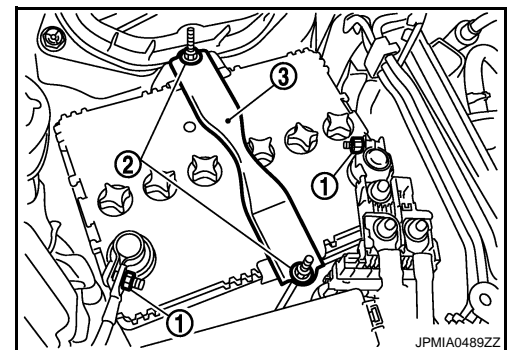


3. Remove cowl top cover (RH). Refer to [EXT-24. "Exploded View"](#).
4. Remove cover of battery positive terminal.
5. Loosen battery terminal nuts (1), and disconnect both battery cables from battery terminals.

**CAUTION:**

**When disconnecting, disconnect the battery cable from the negative terminal first.**

6. Remove battery fix frame mounting nuts (2) and battery fix frame (3).
7. Remove battery.



##### INSTALLATION

Install in the reverse order of removal.

**CAUTION:**

**When connecting, connect the battery cable to the positive terminal first.**

**Battery fix frame mounting nut**

: 3.9 N·m (0.40 kg·m, 35 in·lb)

**Battery terminal nut**

: 5.4 N·m (0.55 kg·m, 48 in·lb)

A  
B  
C  
D  
E  
F  
G  
H  
I  
J  
K  
L  
PG  
N  
O  
P

## BATTERY

< REMOVAL AND INSTALLATION >

[POWER SUPPLY & GROUND CIRCUIT]

Reset electronic systems as necessary. Refer to [GI-53. "ADDITIONAL SERVICE WHEN REMOVING BATTERY NEGATIVE TERMINAL : Required Procedure After Battery Disconnection"](#).



# BATTERY TERMINAL WITH FUSIBLE LINK

< REMOVAL AND INSTALLATION >

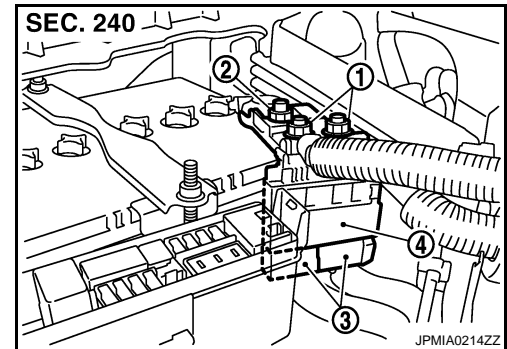
[POWER SUPPLY & GROUND CIRCUIT]

## BATTERY TERMINAL WITH FUSIBLE LINK

### Exploded View

INFOID:000000005623728

- 1 : Harness mounting nut
- 2 : Fusible link holder mounting nut
- 3 : Harness connector
- 4 : Battery terminal with fusible link

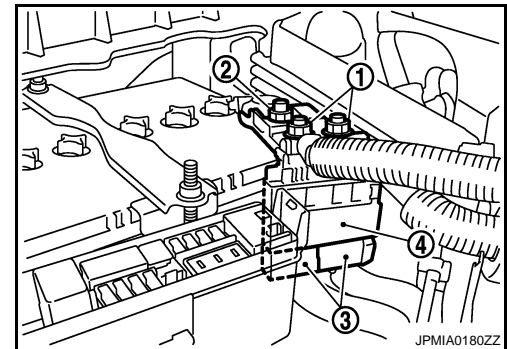


### Removal and Installation

INFOID:000000005623729

#### REMOVAL

1. Remove battery cover.
2. Disconnect the battery cable from the negative terminal.
3. Remove cover of battery positive terminal.
4. Remove harness mounting nuts (1) to disconnect harness connectors (3).
5. Remove fusible link holder mounting nut (2) to remove battery terminal with fusible link (4).



#### INSTALLATION

Install in the reverse order of removal.

#### Harness mounting nut

: 13.2 N·m (1.3 kg-m, 10 ft-lb)

#### Fusible link holder mounting nut

: 13.2 N·m (1.3 kg-m, 10 ft-lb)

A  
B  
C  
D  
E  
F  
G  
H  
I  
J  
K  
L  
PG  
N  
O  
P

## SERVICE DATA AND SPECIFICATIONS (SDS)

< SERVICE DATA AND SPECIFICATIONS (SDS)

[POWER SUPPLY & GROUND CIRCUIT]

## SERVICE DATA AND SPECIFICATIONS (SDS)

### SERVICE DATA AND SPECIFICATIONS (SDS)

#### Battery

INFOID:000000005623730

Type		110D26L
20 hour rate capacity	[V - Ah]	12 - 75
Cold cranking current (For reference value)	[A]	720