

SECTION BR
BRAKE SYSTEM

A

B

C

D

E

BR

G

H

I

J

K

L

M

N

O

P

CONTENTS

SYMPTOM DIAGNOSIS	3	DISC ROTOR : Inspection and Adjustment	14
NOISE, VIBRATION AND HARSHNESS (NVH) TROUBLESHOOTING	3	REAR DISC BRAKE	16
NVH Troubleshooting Chart	3	BRAKE PAD	16
PRECAUTION	4	BRAKE PAD : Inspection and Adjustment	16
PRECAUTIONS	4	DISC ROTOR	16
Precaution for Supplemental Restraint System (SRS) "AIR BAG" and "SEAT BELT PRE-TENSIONER"	4	DISC ROTOR : Inspection and Adjustment	16
Precaution for Procedure without Cowl Top Cover.....	4	REMOVAL AND INSTALLATION	18
Precaution for Brake System	4	BRAKE PEDAL	18
PREPARATION	6	Exploded View	18
PREPARATION	6	Removal and Installation	18
Commercial Service Tool	6	Inspection and Adjustment	19
PERIODIC MAINTENANCE	7	BRAKE PIPING	20
BRAKE PEDAL	7	FRONT	20
Inspection and Adjustment	7	FRONT : Exploded View	20
BRAKE FLUID	10	FRONT : Hydraulic Piping	25
Inspection	10	FRONT : Removal and Installation	26
Draining	10	FRONT : Inspection	28
Refilling	10	REAR	28
Bleeding Brake System	11	REAR : Exploded View	28
BRAKE MASTER CYLINDER	12	REAR : Hydraulic Piping	29
Inspection	12	REAR : Removal and Installation	30
BRAKE BOOSTER	13	REAR : Inspection	32
Inspection	13	BRAKE MASTER CYLINDER	33
FRONT DISC BRAKE	14	Exploded View	33
BRAKE PAD	14	Removal and Installation	34
BRAKE PAD : Inspection and Adjustment	14	Disassembly and Assembly	35
DISC ROTOR	14	Inspection	36
		BRAKE BOOSTER	37
		Exploded View	37
		Removal and installation	38
		Inspection and Adjustment	38
		BRAKE BOOSTER PRESSURE SENSOR	41

Exploded View	41	BRAKE PAD (1 PISTON TYPE)	57
Removal and Installation	41	BRAKE PAD (1 PISTON TYPE) : Exploded View...	57
Inspection	41	BRAKE PAD (1 PISTON TYPE) : Removal and Installation	57
VACUUM LINES	42	BRAKE PAD (1 PISTON TYPE) : Inspection	58
Exploded View	42	BRAKE PAD (2 PISTON TYPE)	58
Removal and Installation	43	BRAKE PAD (2 PISTON TYPE) : Exploded View...	59
Inspection	43	BRAKE PAD (2 PISTON TYPE) : Removal and Installation	59
FRONT DISC BRAKE	44	BRAKE PAD (2 PISTON TYPE) : Inspection	61
BRAKE PAD (2 PISTON TYPE)	44	BRAKE CALIPER ASSEMBLY (1 PISTON TYPE)... 61	
BRAKE PAD (2 PISTON TYPE) : Exploded View...	44	BRAKE CALIPER ASSEMBLY (1 PISTON TYPE)	
BRAKE PAD (2 PISTON TYPE) : Removal and Installation	44	: Exploded View	61
BRAKE PAD (2 PISTON TYPE) : Inspection	45	BRAKE CALIPER ASSEMBLY (1 PISTON TYPE)	
BRAKE PAD (4 PISTON TYPE)	45	: Removal and Installation	62
BRAKE PAD (4 PISTON TYPE) : Exploded View...	46	BRAKE CALIPER ASSEMBLY (1 PISTON TYPE)	
BRAKE PAD (4 PISTON TYPE) : Removal and Installation	46	: Disassembly and Assembly	63
BRAKE PAD (4 PISTON TYPE) : Inspection	48	BRAKE CALIPER ASSEMBLY (1 PISTON TYPE)	
BRAKE CALIPER ASSEMBLY (2 PISTON TYPE)... 48		: Inspection	64
BRAKE CALIPER ASSEMBLY (2 PISTON TYPE)		BRAKE CALIPER ASSEMBLY (2 PISTON TYPE)... 65	
: Exploded View	48	BRAKE CALIPER ASSEMBLY (2 PISTON TYPE)	
BRAKE CALIPER ASSEMBLY (2 PISTON TYPE)		: Exploded View	65
: Removal and Installation	49	BRAKE CALIPER ASSEMBLY (2 PISTON TYPE)	
BRAKE CALIPER ASSEMBLY (2 PISTON TYPE)		: Removal and Installation	66
: Disassembly and Assembly	50	BRAKE CALIPER ASSEMBLY (2 PISTON TYPE)	
BRAKE CALIPER ASSEMBLY (2 PISTON TYPE)		: Disassembly and Assembly	67
: Inspection	51	BRAKE CALIPER ASSEMBLY (2 PISTON TYPE)	
BRAKE CALIPER ASSEMBLY (4 PISTON TYPE)... 52		: Inspection	69
BRAKE CALIPER ASSEMBLY (4 PISTON TYPE)		SERVICE DATA AND SPECIFICATIONS	
: Exploded View	52	(SDS)	70
BRAKE CALIPER ASSEMBLY (4 PISTON TYPE)		SERVICE DATA AND SPECIFICATIONS	
: Removal and Installation	53	(SDS)	70
BRAKE CALIPER ASSEMBLY (4 PISTON TYPE)		General Specifications	70
: Disassembly and Assembly	54	Brake Pedal	70
BRAKE CALIPER ASSEMBLY (4 PISTON TYPE)		Brake Booster	71
: Inspection	55	Front Disc Brake	71
REAR DISC BRAKE	57	Rear Disc Brake	71

NOISE, VIBRATION AND HARSHNESS (NVH) TROUBLESHOOTING

< SYMPTOM DIAGNOSIS >

SYMPTOM DIAGNOSIS

NOISE, VIBRATION AND HARSHNESS (NVH) TROUBLESHOOTING

NVH Troubleshooting Chart

INFOID:000000007466363

Use the chart below to find the cause of the symptom. If necessary, repair or replace these parts.

Symptom	BRAKE	Possible cause and SUSPECTED PARTS														Reference page				
		Pads - damaged	Pads - uneven wear	Shims damaged	Rotor imbalance	Rotor damage	Rotor runout	Rotor deformation	Rotor deflection	Rotor rust	Rotor thickness variation	Drum out of round	PROPELLER SHAFT	DIFFERENTIAL	AXLE AND SUSPENSION		TIRE	ROAD WHEEL	DRIVE SHAFT	STEERING
	Noise	x	x	x																BR-14, BR-16 BR-14, BR-16 BR-45, BR-48, BR-58, BR-61 BR-14, BR-16 BR-14, BR-16 BR-14, BR-16 BR-14, BR-16 BR-14, BR-16 BR-14, BR-16 BR-14, BR-16 BR-14, BR-16 BR-14, BR-16 BR-14, BR-16 BR-14, BR-16
	Shake				x							x		x	x	x	x	x	x	
	Shimmy, Judder				x	x	x	x	x	x				x	x	x				x

x: Applicable

A
B
C
D
E
BR
G
H
I
J
K
L
M
N
O
P

PRECAUTIONS

< PRECAUTION >

PRECAUTION

PRECAUTIONS

Precaution for Supplemental Restraint System (SRS) "AIR BAG" and "SEAT BELT PRE-TENSIONER"

INFOID:000000007689131

The Supplemental Restraint System such as "AIR BAG" and "SEAT BELT PRE-TENSIONER", used along with a front seat belt, helps to reduce the risk or severity of injury to the driver and front passenger for certain types of collision. This system includes seat belt switch inputs and dual stage front air bag modules. The SRS system uses the seat belt switches to determine the front air bag deployment, and may only deploy one front air bag, depending on the severity of a collision and whether the front occupants are belted or unbelted. Information necessary to service the system safely is included in the "SRS AIR BAG" and "SEAT BELT" of this Service Manual.

WARNING:

Always observe the following items for preventing accidental activation.

- To avoid rendering the SRS inoperative, which could increase the risk of personal injury or death in the event of a collision that would result in air bag inflation, all maintenance must be performed by an authorized NISSAN/INFINITI dealer.
- Improper maintenance, including incorrect removal and installation of the SRS, can lead to personal injury caused by unintentional activation of the system. For removal of Spiral Cable and Air Bag Module, see "SRS AIR BAG".
- Never use electrical test equipment on any circuit related to the SRS unless instructed to in this Service Manual. SRS wiring harnesses can be identified by yellow and/or orange harnesses or harness connectors.

PRECAUTIONS WHEN USING POWER TOOLS (AIR OR ELECTRIC) AND HAMMERS

WARNING:

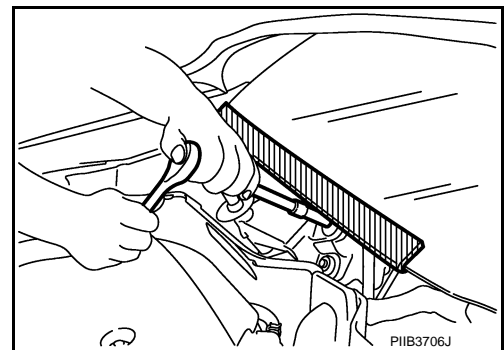
Always observe the following items for preventing accidental activation.

- When working near the Air Bag Diagnosis Sensor Unit or other Air Bag System sensors with the ignition ON or engine running, never use air or electric power tools or strike near the sensor(s) with a hammer. Heavy vibration could activate the sensor(s) and deploy the air bag(s), possibly causing serious injury.
- When using air or electric power tools or hammers, always switch the ignition OFF, disconnect the battery, and wait at least 3 minutes before performing any service.

Precaution for Procedure without Cowl Top Cover

INFOID:000000007689132

When performing the procedure after removing cowl top cover, cover the lower end of windshield with urethane, etc to prevent damage to windshield.



Precaution for Brake System

INFOID:000000007466367

WARNING:

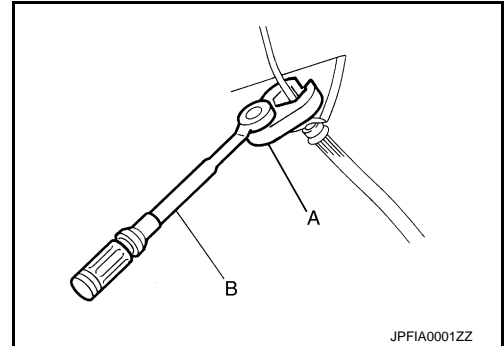
Since dust covering the front and rear brakes has an affect on human body, the dust must be removed with a dust collector. Never splatter the dust with an air blow gun.

- Brake fluid use refer to [MA-17, "FOR NORTH AMERICA : Fluids and Lubricants"](#) (except for Mexico), [MA-19, "FOR MEXICO : Fluids and Lubricants"](#) (for Mexico).
- Never reuse drained brake fluid.
- Never spill or splash brake fluid on painted surfaces. Brake fluid may seriously damage paint. Wipe it off immediately and wash with water if it gets on a painted surface.

PRECAUTIONS

< PRECAUTION >

- After pressing the brake pedal more deeply or harder than normal driving, such as air bleeding, check each item of brake pedal. Adjust brake pedal if it is outside the standard value.
- Always clean with new brake fluid when cleaning the master cylinder, brake caliper and other components.
- Never use mineral oils such as gasoline or light oil to clean. They may damage rubber parts and cause improper operation.
- Always loosen the brake tube flare nut with a flare nut wrench.
- Tighten the brake tube flare nut to the specified torque with a crow-foot (A) and torque wrench (B).
- Always confirm the specified tightening torque when installing the brake pipes.
- Brake system is an important safety part. If a brake fluid leak is detected, always disassemble the affected part. If a malfunction is detected, replace part with a new one.
- Turn the ignition switch OFF and disconnect the ABS actuator and electric unit (control unit) connector or the battery negative terminal before performing the work.
- Check that no brake fluid leakage is present after replacing the parts.
- Burnish the brake contact surfaces after refinishing or replacing rotors, after replacing pads, or if a soft pedal occurs at very low mileage.
- Front brake pad: refer to [BR-14, "BRAKE PAD : Inspection and Adjustment"](#).
- Front disc rotor: refer to [BR-14, "DISC ROTOR : Inspection and Adjustment"](#).
- Rear brake pad: refer to [BR-16, "BRAKE PAD : Inspection and Adjustment"](#).
- Rear disc rotor: refer to [BR-16, "DISC ROTOR : Inspection and Adjustment"](#).



A
B
C
D
E
BR
G
H
I
J
K
L
M
N
O
P

PREPARATION

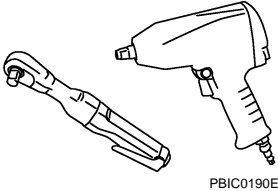
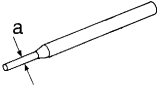

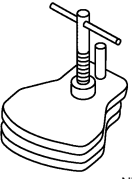
< PREPARATION >

PREPARATION

PREPARATION

Commercial Service Tool

INFOID:000000007466368

Tool name	Description
<p>Power tool</p>  <p>PBIC0190E</p>	<p>Loosening bolts and nuts</p>
<p>Pin punch a: 4 mm (0.16 in) dia.</p>  <p>NT410</p>	<p>Removing and installing reservoir tank</p>
<p>Handy vacuum pump</p>  <p>ZZC1313D</p>	<ul style="list-style-type: none">• Air tight• Inspection of check valve
<p>Brake caliper wrench</p>  <p>NNFIA0040ZZ</p>	<p>Return the piston</p>

BRAKE PEDAL

< PERIODIC MAINTENANCE >

PERIODIC MAINTENANCE

BRAKE PEDAL

Inspection and Adjustment

INFOID:000000007466369

INSPECTION

Brake Pedal Height

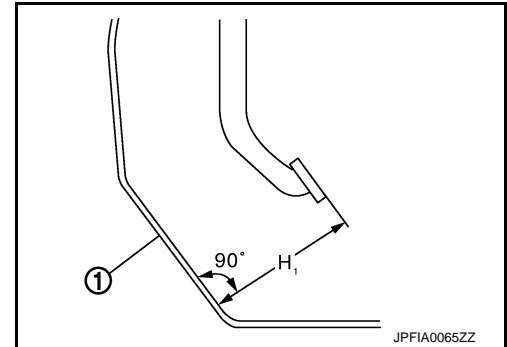
Check the height (H₁) between the dash lower panel (1) and the brake pedal upper surface.

Standard

H₁ : Refer to [BR-70, "Brake Pedal"](#).

CAUTION:

Remove the floor trim.



ASCD Brake Switch and Stop Lamp Switch

Check the clearance (C₁ and C₂) among ASCD brake switch (1) threaded end, stop lamp switch (2) threaded end and the stopper rubber (3).

Standard

C₁ : Refer to [BR-70, "Brake Pedal"](#).

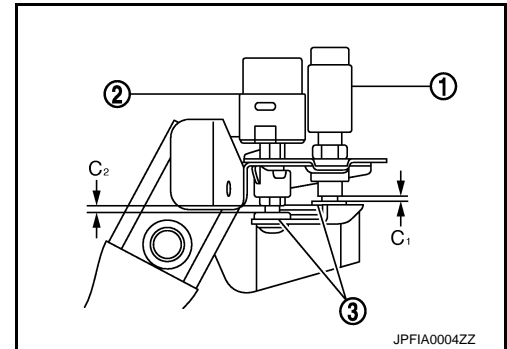
C₂ : Refer to [BR-70, "Brake Pedal"](#).

CAUTION:

The stop lamp must turn off when the brake pedal is released.

NOTE:

Pull the brake pedal pad to make the clearance between the stop lamp switch threaded end and the stopper rubber. (The stopper rubber hits ASCD brake switch threaded end.)

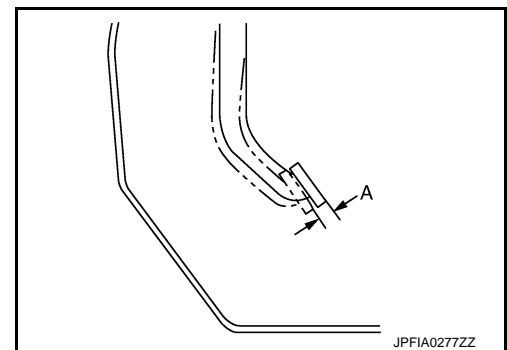


Brake Pedal Play

Press the brake pedal. Check the brake pedal play (A) (stroke until fluid pressure occurs).

Standard

A : Refer to [BR-70, "Brake Pedal"](#).

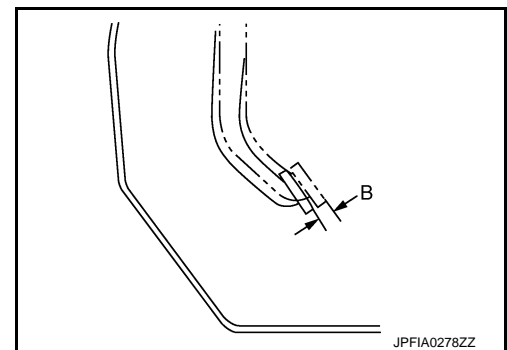


Brake Pedal Shaky Fitting

Check the brake pedal shaky fitting (B) (the stroke when pulling the brake pedal pad slightly from the free play).

Standard

B : Refer to [BR-70, "Brake Pedal"](#).



A
B
C
D
E
BR
G
H
I
J
K
L
M
N
O
P

BRAKE PEDAL

< PERIODIC MAINTENANCE >

Depressed Brake Pedal Height

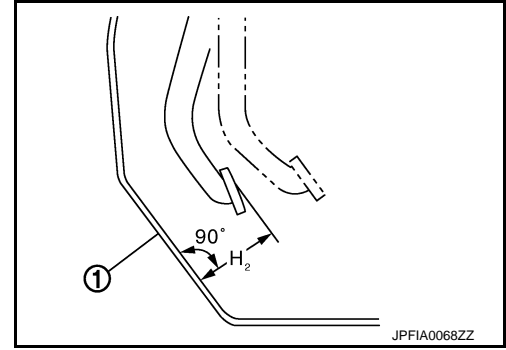
Check the height between the dash lower panel (1) and the brake pedal upper surface (H_2) when depressing the brake pedal at 490 N (50 kg, 110 lb) while turning engine ON.

Standard

H_2 : Refer to [BR-70, "Brake Pedal"](#).

CAUTION:

Remove the floor trim.



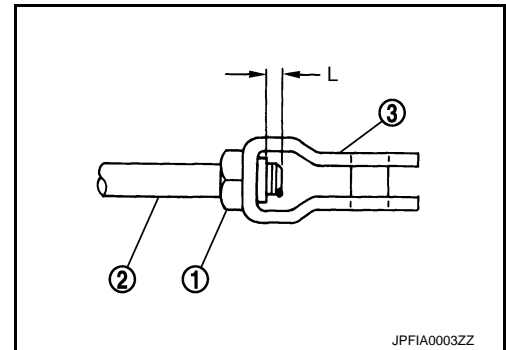
ADJUSTMENT

Brake Pedal Height

1. Disconnect the harness connector from ASCD brake switch and stop lamp switch.
2. Turn the stop lamp switch 45° counterclockwise.
3. Loosen ASCD brake switch lock nut. Turn ASCD brake switch counterclockwise.
4. Loosen the input rod lock nut (1). Adjust the brake pedal to the specification. Tighten the input lock nut to the specification. Refer to [BR-37, "Exploded View"](#).

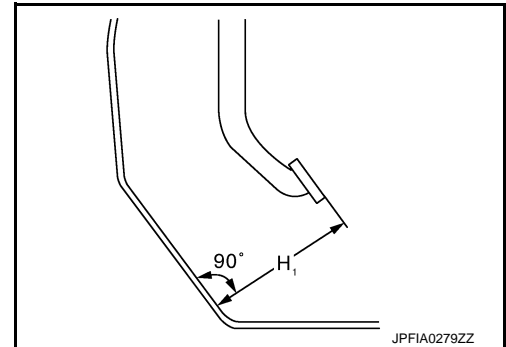
CAUTION:

The threaded end of the input rod (2) must project to the inner side (L) of the clevis (3).



Standard

H_1 : Refer to [BR-70, "Brake Pedal"](#).



ASCD Brake Switch and Stop Lamp Switch

1. Disconnect the harness connector from ASCD brake switch and stop lamp switch.
2. Turn the stop lamp switch 45° counterclockwise.
3. Loosen ASCD brake switch lock nut. Turn ASCD brake switch counterclockwise.
4. Press the brake pedal pad slightly. Release the brake pedal. Turn ASCD brake switch (1) until ASCD brake switch threaded end hits to the stopper rubber (2) clockwise.

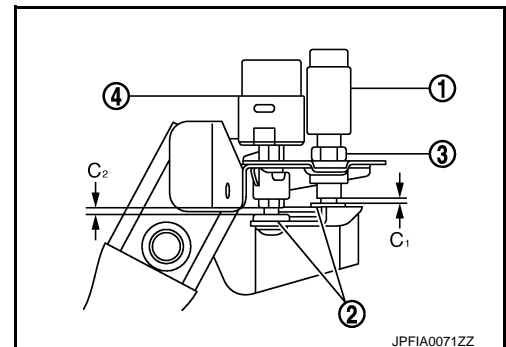
CAUTION:

Never press-fit the input rod.

5. Tighten ASCD brake switch lock nut (3) to the specification. Refer to [BR-18, "Exploded View"](#).

CAUTION:

The clearance (C_1) between the stopper rubber and the ASCD brake switch threaded end must be the specified value. Refer to [BR-70, "Brake Pedal"](#).



BRAKE PEDAL

< PERIODIC MAINTENANCE >

6. Press-fit the stop lamp switch (4) until the stop lamp switch hits the stopper rubber 45° clockwise while pulling the brake pedal pad slightly. (ASCD brake switch threaded end hits the stopper rubber.)

CAUTION:

- The clearance (C₂) between the stopper rubber and the stop lamp switch threaded end must be the specified value. Refer to [BR-70, "Brake Pedal"](#).
- The stop lamp must turn off when the brake pedal is released.

Brake Pedal Play

1. Disconnect the harness connector from ASCD brake switch and stop lamp switch.
2. Turn the stop lamp switch 45° counterclockwise.
3. Loosen ASCD brake switch lock nut. Turn ASCD brake switch counterclockwise.
4. Press the brake pedal pad slightly. Release the brake pedal. Turn ASCD brake switch (1) until ASCD brake switch threaded end hits the stopper rubber (2) clockwise.

CAUTION:

Never press-fit the input rod.

5. Tighten ASCD brake switch lock nut (3) to the specification. Refer to [BR-18, "Exploded View"](#).

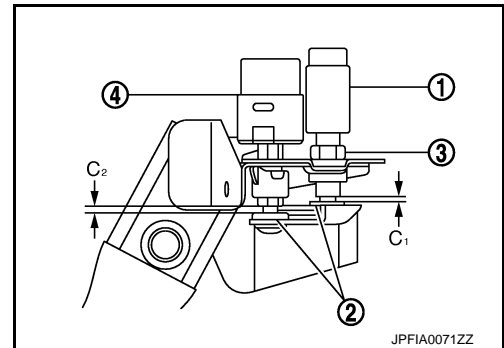
CAUTION:

The clearance (C₁) between the stopper rubber and the ASCD brake switch threaded end must be the specified value. Refer to [BR-70, "Brake Pedal"](#).

6. Press-fit the stop lamp switch (4) until the stop lamp switch hits the stopper rubber 45° clockwise while pulling the brake pedal pad slightly. (ASCD brake switch threaded end hits the stopper rubber.)

CAUTION:

- The clearance (C₂) between the stopper rubber and the stop lamp switch threaded end must be the specified value. Refer to [BR-70, "Brake Pedal"](#).
- The stop lamp must turn off when the brake pedal is released.



Brake Pedal Shaky Fitting

1. Disconnect the harness connector from ASCD brake switch and stop lamp switch.
2. Turn the stop lamp switch 45° counterclockwise.
3. Loosen ASCD brake switch lock nut. Turn ASCD brake switch counterclockwise.
4. Press the brake pedal pad slightly. Release the brake pedal. Turn ASCD brake switch (1) until ASCD brake switch threaded end hits to the stopper rubber (2) clockwise.

CAUTION:

Never press-fit the input rod.

5. Tighten ASCD brake switch lock nut (3) to the specification. Refer to [BR-18, "Exploded View"](#).

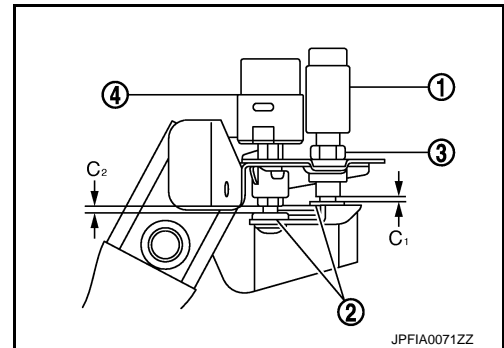
CAUTION:

The clearance (C₁) between the stopper rubber and the ASCD brake switch threaded end must be the specified value. Refer to [BR-70, "Brake Pedal"](#).

6. Press-fit the stop lamp switch (4) until the stop lamp switch hits the stopper rubber 45° clockwise while pulling the brake pedal pad slightly. (ASCD brake switch threaded end hits the stopper rubber.)

CAUTION:

- The clearance (C₂) between the stopper rubber and the stop lamp switch threaded end must be the specified value. Refer to [BR-70, "Brake Pedal"](#).
- The stop lamp must turn off when the brake pedal is released.



BRAKE FLUID

< PERIODIC MAINTENANCE >

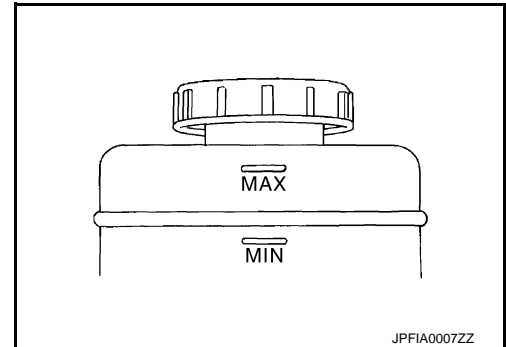
BRAKE FLUID

Inspection

INFOID:000000007466370

BRAKE FLUID LEVEL

- Check that the fluid level in the reservoir tank is within the specified range (MAX – MIN lines).
- Visually check for any brake fluid leakage around the reservoir tank.
- Check the brake system for any leakage if the fluid level is extremely low (lower than MIN).
- Check the brake system for fluid leakage if the warning lamp remains illuminated even after the parking brake is released.

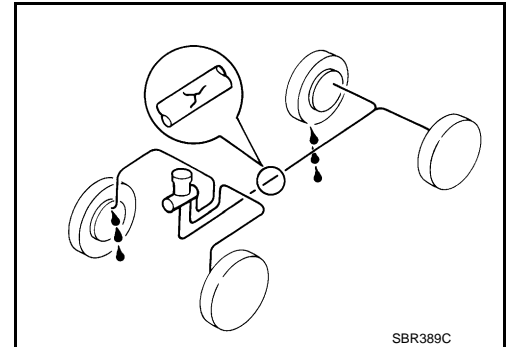


BRAKE LINE

1. Check brake line (tubes and hoses) for cracks, deterioration or other damage. Replace any damaged parts.
2. Check for fluid leakage by fully depressing brake pedal while engine is running.

CAUTION:

If leakage occurs around joints, retighten or, if necessary, replace damaged parts.



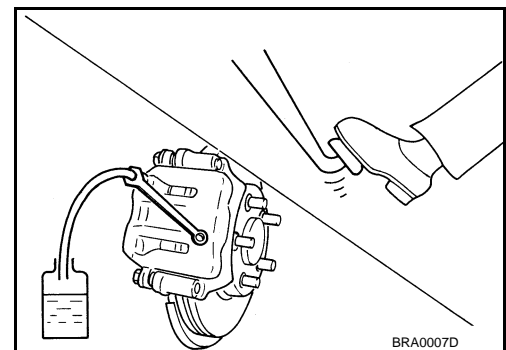
Draining

INFOID:000000007466371

CAUTION:

- **Never spill or splash brake fluid on painted surfaces. Brake fluid may seriously damage paint. Wipe it off immediately and wash with water if it gets on a painted surface.**
- **Turn the ignition switch OFF and disconnect the ABS actuator and electric unit (control unit) connector or the battery negative terminal before performing work.**
- **Cover crowfoot and flare nut wrench with a cloth as not to damage the caliper (front 4 piston type, rear 2 piston type).**

1. Connect a vinyl tube to the bleed valve.
2. Depress the brake pedal and loosen the bleeder valve to gradually discharge brake fluid.



Refilling

INFOID:000000007466372

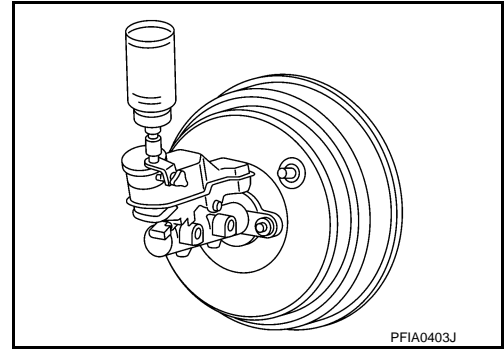
CAUTION:

- **Turn the ignition switch OFF and disconnect the ABS actuator and electric unit (control unit) connector or the battery negative terminal before performing work.**

BRAKE FLUID

< PERIODIC MAINTENANCE >

- **Cover crowfoot and flare nut wrench with a cloth as not to damage the caliper (front 4 piston type, rear 2 piston type).**
1. Check that there is no foreign material in the reservoir tank, and refill with new brake fluid.
CAUTION:
Never reuse drained brake fluid.
 2. Loosen the bleeder valve, slowly depress the brake pedal to the full stroke, and then release the pedal. Repeat this operation at intervals of 2 or 3 seconds until all brake fluid is discharged. Then close the bleeder valve with the brake pedal depressed. Repeat the same work on each wheel.
 3. Perform the air bleeding. Refer to [BR-11, "Bleeding Brake System"](#).



Bleeding Brake System

INFOID:000000007466373

CAUTION:

- **Turn the ignition switch OFF and disconnect the ABS actuator and electric unit (control unit) connector or the battery negative terminal before performing the work.**
 - **Monitor the fluid level in the reservoir tank while performing the air bleeding**
 - **Always use new brake fluid for refilling. Never reuse the drained brake fluid.**
 - **Cover crowfoot and flare nut wrench with a cloth as not to damage the caliper (front 4 piston type, rear 2 piston type).**
1. Connect a vinyl tube to the bleeder valve of the rear right brake.
 2. Fully depress the brake pedal 4 to 5 times.
 3. Loosen the bleeder valve and bleed air with the brake pedal depressed, and then quickly tighten the bleeder valve.
 4. Repeat steps 2 and 3 until all of the air is out of the brake line.
 5. Tighten the bleeder valve to the specified torque.
 - Front disc brake
 - 2 piston type: refer to [BR-48, "BRAKE CALIPER ASSEMBLY \(2 PISTON TYPE\) : Exploded View"](#).
 - 4 piston type: refer to [BR-52, "BRAKE CALIPER ASSEMBLY \(4 PISTON TYPE\) : Exploded View"](#).
 - Rear disc brake
 - 1 piston type: refer to [BR-61, "BRAKE CALIPER ASSEMBLY \(1 PISTON TYPE\) : Exploded View"](#).
 - 2 piston type: refer to [BR-65, "BRAKE CALIPER ASSEMBLY \(2 PISTON TYPE\) : Exploded View"](#).
 6. Perform steps 1 to 5 for the rear right brake → front left brake → rear left brake → and front right brake in order.
 7. Check that the fluid level in the reservoir tank is within the specified range after air bleeding. Refer to [BR-10, "Inspection"](#).
 8. Check each item of brake pedal. Adjust it if the measurement value is not the standard. Refer to [BR-7, "Inspection and Adjustment"](#).

BRAKE MASTER CYLINDER

< PERIODIC MAINTENANCE >

BRAKE MASTER CYLINDER

Inspection

INFOID:000000007466374

FLUID LEAK

- Check for brake fluid leakage from the master cylinder mounting face, reservoir tank mounting face and brake tube connections.

BRAKE BOOSTER

< PERIODIC MAINTENANCE >

BRAKE BOOSTER

Inspection

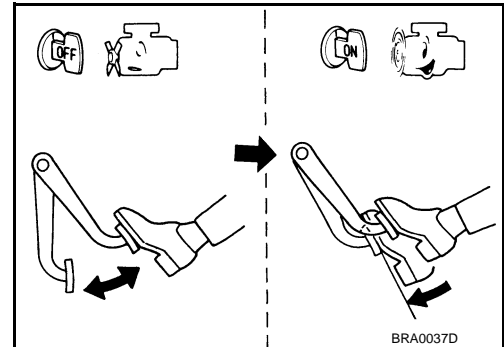
INFOID:000000007466375

OPERATION

Depress the brake pedal several times at 5-second intervals with the engine stopped. Start the engine with the brake pedal fully depressed. Check that the clearance between brake pedal and dash lower panel decreases.

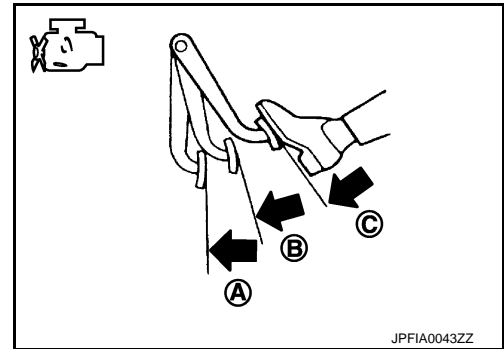
NOTE:

A slight impact with a small click may be felt on the pedal when the brake pedal is fully depressed. This is a normal phenomenon due to the brake system operation.



AIR TIGHT

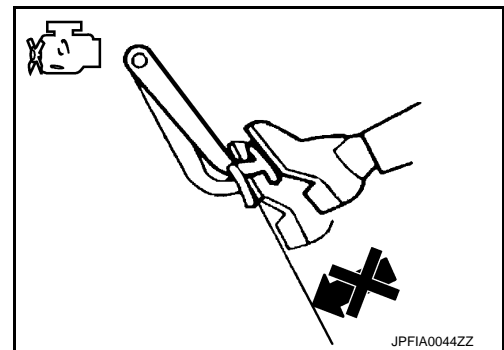
- Run the engine at idle for 1 minute to apply vacuum to the brake booster, and stop the engine. Then depress the brake pedal several times at 5-second intervals until the accumulated vacuum is released to atmospheric pressure. Check that the clearance between brake pedal and dash lower panel gradually increases (A → B → C) each time the brake pedal is depressed when performing this operation.



- Depress the brake pedal with the engine running. Then stop the engine while holding down the brake pedal. Check that the brake pedal stroke does not change after holding down the brake pedal for 30 seconds or more.

NOTE:

A slight impact with a small click may be felt on the pedal when the brake pedal is fully depressed. This is a normal phenomenon due to the brake system operation.



A
B
C
D
E
BR
G
H
I
J
K
L
M
N
O
P

FRONT DISC BRAKE

< PERIODIC MAINTENANCE >

FRONT DISC BRAKE

BRAKE PAD

BRAKE PAD : Inspection and Adjustment

INFOID:000000007466376

INSPECTION

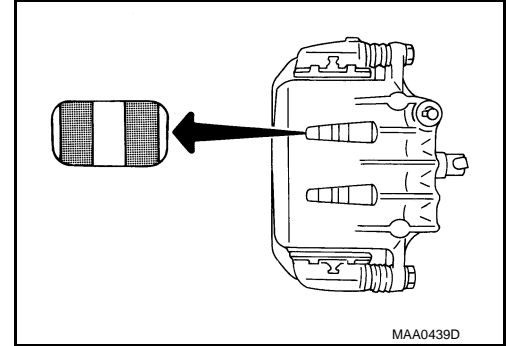
2 Piston Type

Check brake pad wear thickness from an inspection hole on cylinder body. Check using a scale if necessary.

Limit

Wear thickness

: Refer to [BR-71, "Front Disc Brake"](#).



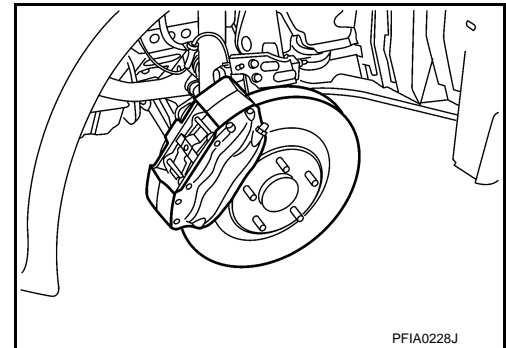
4 Piston Type

Check brake pad wear thickness from an inspection hole on caliper. Check using a scale if necessary.

Limit

Wear thickness

: Refer to [BR-71, "Front Disc Brake"](#).



ADJUSTMENT

CAUTION:

- Burnish contact surfaces between pads according to the following procedure after refinishing or replacing pads, or if a soft pedal occurs at very low mileage.
- Be careful of vehicle speed because the brake does not operate firmly/securely until pads and disc rotor are securely fitted.
- Only perform this procedure under safe road and traffic conditions. Use extreme caution.

1. Drive vehicle on straight, flat road.
2. Depress brake pedal with the power to stop vehicle within 3 to 5 seconds until the vehicle stops.
3. Drive without depressing brake for a few minutes to cool the brake.
4. Repeat steps 1 to 3 until pad and disc rotor are securely fitted.

DISC ROTOR

DISC ROTOR : Inspection and Adjustment

INFOID:000000007466377

INSPECTION

Appearance

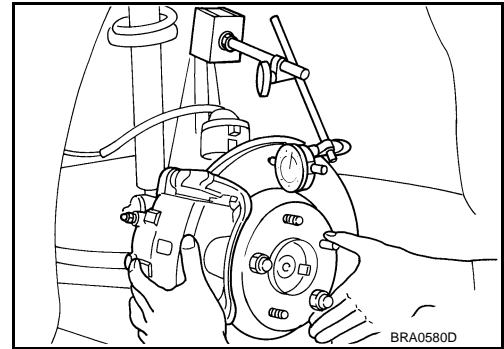
Check surface of disc rotor for uneven wear, cracks, and serious damage. Replace it if necessary.

Runout

FRONT DISC BRAKE

< PERIODIC MAINTENANCE >

1. Fix the disc rotor to the wheel hub and bearing assembly with wheel nuts (2 points at least).
2. Check the wheel bearing axial end play before the inspection. Refer to [FAX-6, "Inspection"](#) (2WD), [FAX-14, "Inspection"](#) (AWD).
3. Inspect the runout with a dial indicator to measure at 10 mm (0.39 in) inside the disc edge.



Limit

Runout : Refer to [BR-71, "Front Disc Brake"](#).

4. Find the installation position that has a minimum runout by shifting the disc rotor-to-wheel hub and bearing assembly installation position by one hole at a time if the runout exceeds the limit value.
5. Refinish the disc rotor if the runout is outside the limit even after performing the above operation. [When refinishing, use the Pro-Cut PEM On-Car brake Lathe (Tool No. 38-PFM90.5) or equivalent.]

CAUTION:

- Check in advance that the thickness of the disc rotor is wear thickness + 0.3 mm (0.012 in) or more.
- If the thickness is less than wear thickness + 0.3 mm (0.012 in), replace the disc rotor.

Limit

Wear thickness : Refer to [BR-71, "Front Disc Brake"](#).

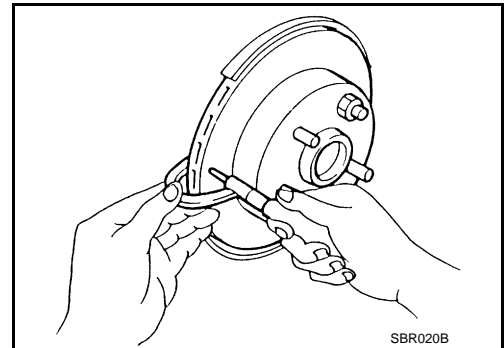
Thickness

Check the thickness of the disc rotor using a micrometer. Replace the disc rotor if the thickness is below the wear limit.

Limit

Wear thickness : Refer to [BR-71, "Front Disc Brake"](#).

Thickness variation : Refer to [BR-71, "Front Disc Brake"](#).



ADJUSTMENT

CAUTION:

- Burnish contact surfaces between disc rotors and pads according to the following procedure after refinishing or replacing disc rotor, or if a soft pedal occurs at very low mileage.
 - Be careful of vehicle speed because the brake does not operate firmly/securely until pad and disc rotor are securely fitted.
 - Only perform this procedure under safe road and traffic conditions. Use extreme caution.
1. Drive vehicle on straight, flat road.
 2. Depress brake pedal with the power to stop vehicle within 3 to 5 seconds until the vehicle stops.
 3. Drive without depressing brake for a few minutes to cool the brake.
 4. Repeat steps 1 to 3 until pad and disc rotor are securely fitted.

REAR DISC BRAKE

< PERIODIC MAINTENANCE >

REAR DISC BRAKE

BRAKE PAD

BRAKE PAD : Inspection and Adjustment

INFOID:000000007466378

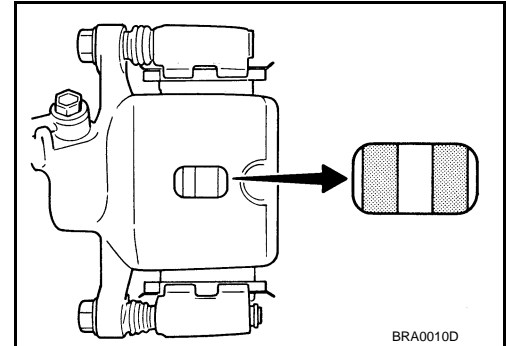
INSPECTION

1 Piston Type

Check brake pad wear thickness from an inspection hole on cylinder body. Check using a scale if necessary.

Limit

Wear thickness : Refer to [BR-71, "Rear Disc Brake"](#).

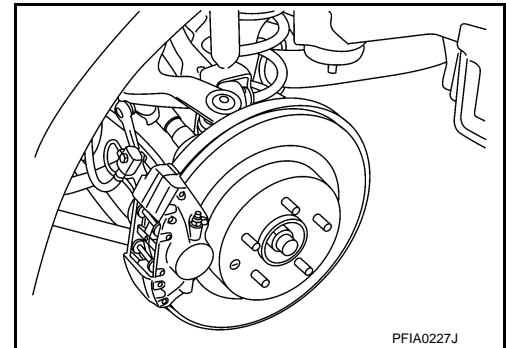


2 Piston Type

Check brake pad wear thickness from an inspection hole on caliper. Check using a scale if necessary.

Limit

Wear thickness : Refer to [BR-71, "Rear Disc Brake"](#).



ADJUSTMENT

CAUTION:

- Burnish contact surfaces between pads according to the following procedure after refinishing or replacing pads, or if a soft pedal occurs at very low mileage.
- Be careful of vehicle speed because the brake does not operate firmly/securely until pads and disc rotor are securely fitted.
- Only perform this procedure under safe road and traffic conditions. Use extreme caution.

1. Drive vehicle on straight, flat road.
2. Depress brake pedal with the power to stop vehicle within 3 to 5 seconds until the vehicle stops.
3. Drive without depressing brake for a few minutes to cool the brake.
4. Repeat steps 1 to 3 until pad and disc rotor are securely fitted.

DISC ROTOR

DISC ROTOR : Inspection and Adjustment

INFOID:000000007466379

INSPECTION

Appearance

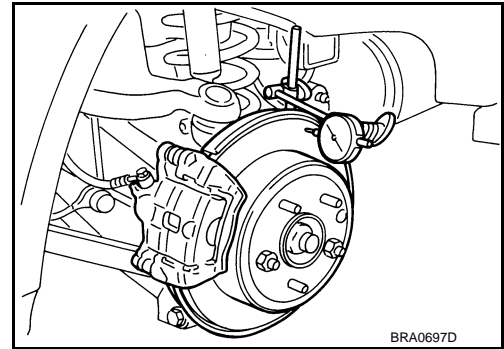
Check surface of disc rotor for uneven wear, cracks, and serious damage. Replace it if necessary.

Runout

REAR DISC BRAKE

< PERIODIC MAINTENANCE >

1. Fix the disc rotor to the wheel hub and bearing assembly with wheel nuts (2 points at least).
2. Check the wheel bearing axial end play before the inspection. Refer to [RAX-5, "Inspection"](#).
3. Inspect the runout with a dial indicator to measure at 10 mm (0.39 in) inside disc edge.



Limit

Runout : Refer to [BR-71, "Rear Disc Brake"](#).

4. Find the installation position that has a minimum runout by shifting the disc rotor-to-wheel hub and bearing assembly installation position by one hole at a time if the runout exceeds the limit value.
5. Refinish the disc rotor if the runout is outside the limit even after performing the above operation. [When refinishing, use the Pro-Cut PEM On-Car brake Lathe (Tool No. 38-PFM90.5) or equivalent.]

CAUTION:

- Check in advance that the thickness of the disc rotor is wear thickness + 0.3 mm (0.012 in) or more.
- If the thickness is less than wear thickness + 0.3 mm (0.012 in), replace the disc rotor.

Limit

Wear thickness : Refer to [BR-71, "Rear Disc Brake"](#).

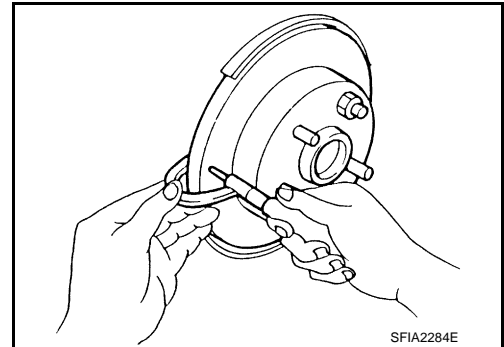
Thickness

Check the thickness of the disc rotor using a micrometer. Replace the disc rotor if the thickness is below the wear limit.

Limit

Wear thickness : Refer to [BR-71, "Rear Disc Brake"](#).

Thickness variation : Refer to [BR-71, "Rear Disc Brake"](#).



ADJUSTMENT

CAUTION:

- Burnish contact surfaces between disc rotors and pads according to the following procedure after refinishing or replacing disc rotor, or if a soft pedal occurs at very low mileage.
 - Be careful of vehicle speed because the brake does not operate firmly/securely until pad and disc rotor are securely fitted.
 - Only perform this procedure under safe road and traffic conditions. Use extreme caution.
1. Drive vehicle on straight, flat road.
 2. Depress brake pedal with the power to stop vehicle within 3 to 5 seconds until the vehicle stops.
 3. Drive without depressing brake for a few minutes to cool the brake.
 4. Repeat steps 1 to 3 until pad and disc rotor are securely fitted.

BRAKE PEDAL

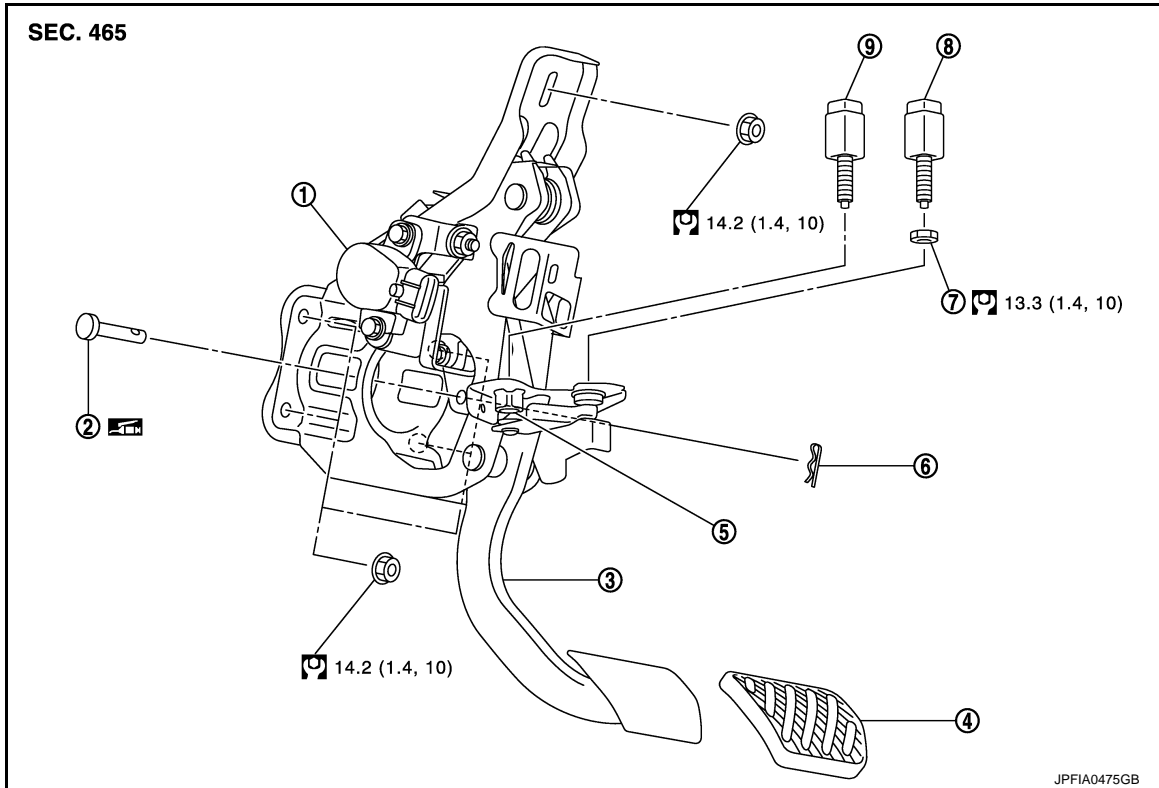
< REMOVAL AND INSTALLATION >

REMOVAL AND INSTALLATION


BRAKE PEDAL

Exploded View

INFOID:000000007466380



- | | | |
|---|----------------------|-------------------------|
| 1. Brake pedal stroke sensor (with pre-crash seat belt) | 2. Clevis pin | 3. Brake pedal assembly |
| 4. Brake pedal pad | 5. Clip | 6. Snap pin |
| 7. Lock nut | 8. ASCD brake switch | 9. Stop lamp switch |

: Apply multi-purpose grease.

Refer to [GI-4, "Components"](#) for symbols not described on the above.

Removal and Installation

INFOID:000000007466381

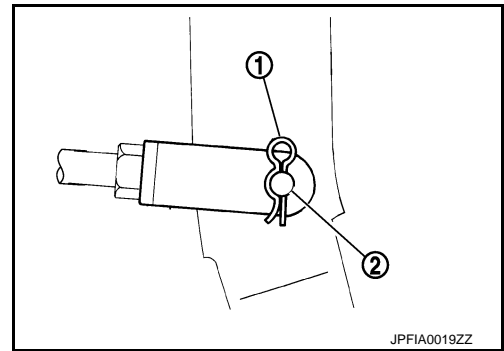
REMOVAL

1. Remove instrument lower panel LH. Refer to [IP-11, "A/T MODELS : Exploded View"](#) (A/T), [IP-22, "M/T MODELS : Exploded View"](#) (M/T).
2. Remove steering column assembly. Refer to [ST-18, "WITHOUT ELECTRIC MOTOR : Exploded View"](#) (without electric motor), [ST-21, "WITH ELECTRIC MOTOR : Exploded View"](#) (with electric motor).
3. Disconnect the stop lamp switch and ASCD brake switch harness connectors.
4. Disconnect the brake pedal stroke sensor harness connector. (With pre-crash seat belt)
CAUTION:
Never removing brake pedal stroke sensor. (With pre-crash seat belt)
5. Turn the stop lamp switch counterclockwise to remove the stop lamp switch.
6. Loosen the lock nut for the ASCD brake switch and remove the ASCD brake switch.

BRAKE PEDAL

< REMOVAL AND INSTALLATION >

7. Remove snap pin (1) and clevis pin (2) from clevis of brake booster.
8. Remove the cowl top. Refer to [EXT-24, "Exploded View"](#).
9. Remove the instrument panel. Refer to [IP-11, "A/T MODELS : Exploded View"](#) (A/T), [IP-22, "M/T MODELS : Exploded View"](#) (M/T).
10. Slide the steering member rearward. Refer to [HA-51, "Exploded View"](#).
11. Remove the brake pedal assembly.



INSTALLATION

Note the following, and install in the reverse order of removal.

- Apply the multi-purpose grease to the clevis pin and the mating faces. (Not necessary if grease has been already applied)

NOTE:

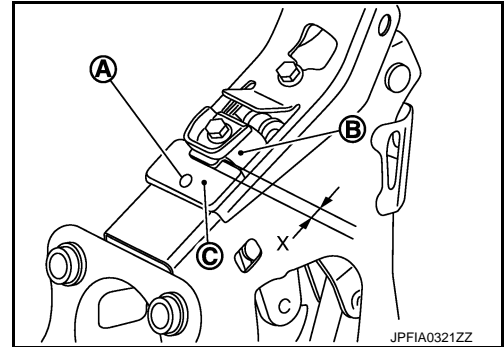
The clevis pin may be inserted in either direction.

Inspection and Adjustment

INFOID:000000007466382

INSPECTION AFTER REMOVAL

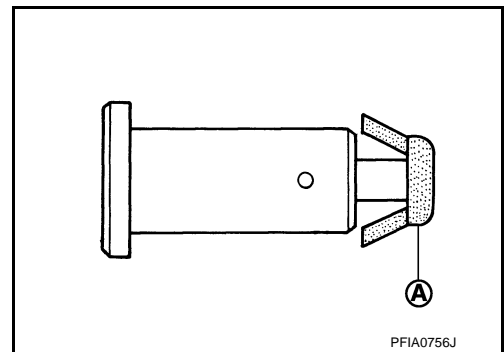
- Check the following items and replace the brake pedal assembly if necessary.
 - Check the brake pedal upper rivet (made by aluminum) (A) for deformation.
 - Check the brake pedal for bend, damage, and cracks on the welded parts.
 - Check the lapping length (X) of sub-bracket (B) and slide plate (C).



Standard

X : 5.0 mm (0.197 in) or more

- Check clevis pin and plastic stopper (A) for damage and deformation. If any is found, replace clevis pin.



ADJUSTMENT AFTER INSTALLATION

Perform the brake pedal adjustment after installing the brake pedal assembly. Refer to [BR-7, "Inspection and Adjustment"](#).

BRAKE PIPING

< REMOVAL AND INSTALLATION >

BRAKE PIPING

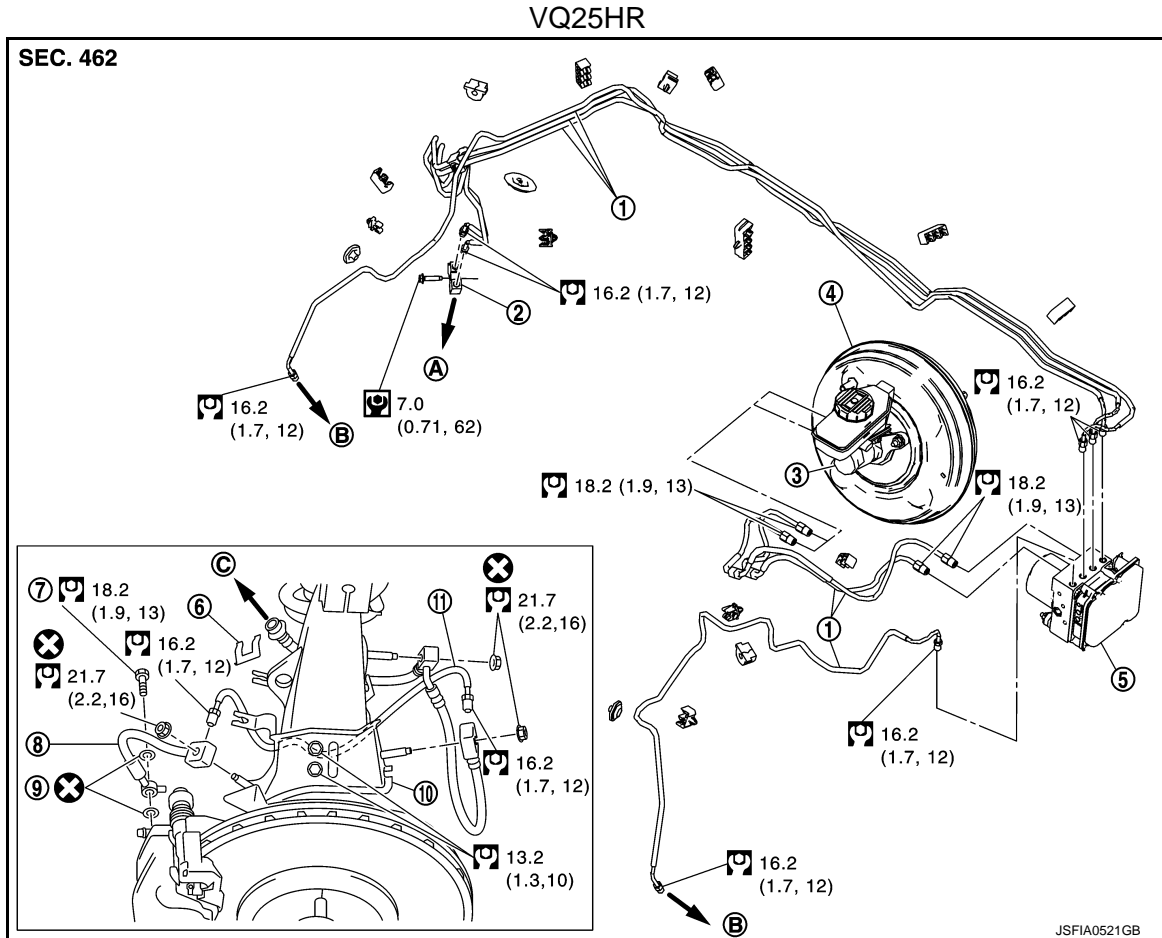
FRONT

FRONT : Exploded View

INFOID:000000007466383

2 PISTON TYPE

1 Lock Plate Type



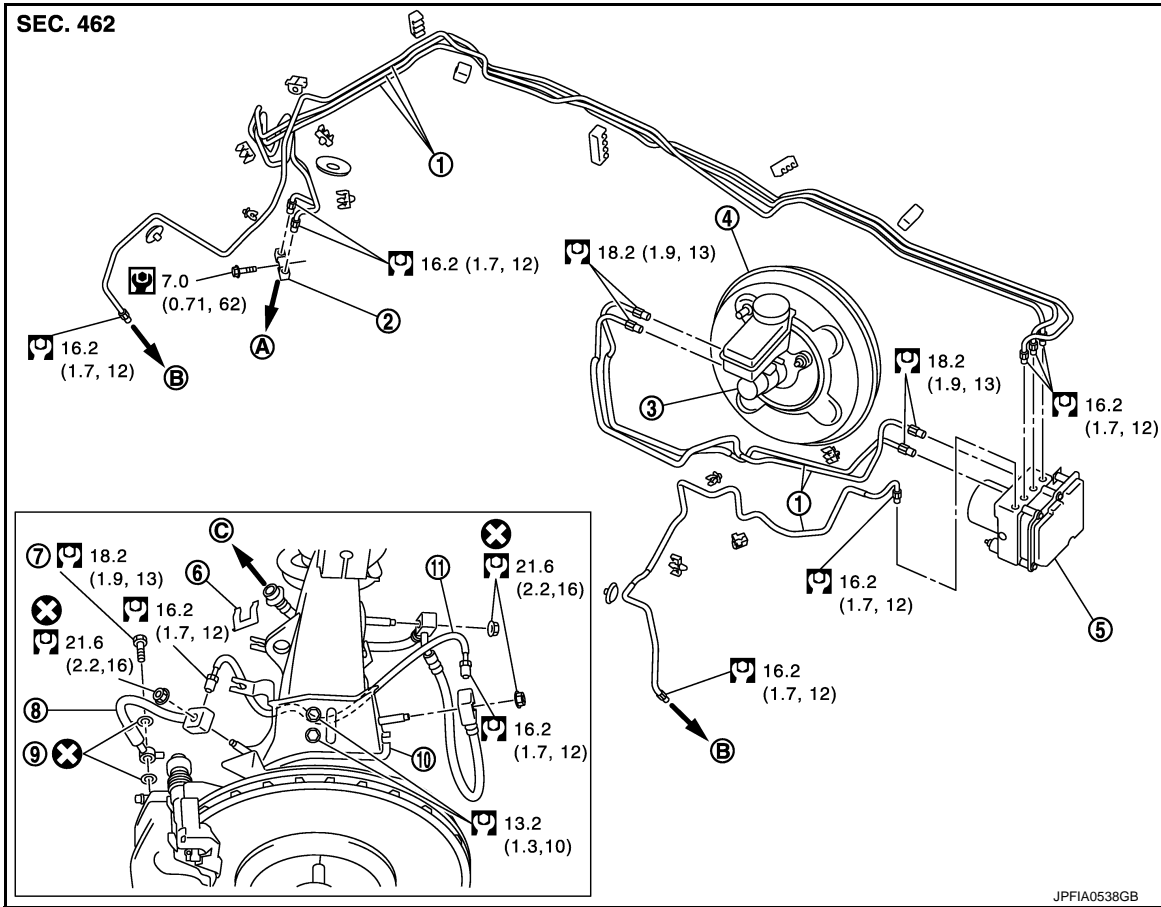
- | | | |
|------------------------|--|------------------------|
| 1. Brake tube | 2. Connector | 3. Master cylinder |
| 4. Brake booster | 5. ABS actuator and electric unit (control unit) | 6. Lock plate |
| 7. Union bolt | 8. Brake hose | 9. Copper washer |
| 10. Brake hose bracket | 11. Brake tube | |
| A. To rear brake tube | B. To front brake hose | C. To front brake tube |

Refer to [GI-4, "Components"](#) for symbols in the figure.

BRAKE PIPING

< REMOVAL AND INSTALLATION >

VQ37VHR



- | | | |
|------------------------|--|------------------------|
| 1. Brake tube | 2. Connector | 3. Master cylinder |
| 4. Brake booster | 5. ABS actuator and electric unit (control unit) | 6. Lock plate |
| 7. Union bolt | 8. Brake hose | 9. Copper washer |
| 10. Brake hose bracket | 11. Brake tube | |
| A. To rear brake tube | B. To front brake hose | C. To front brake tube |

Refer to [GI-4, "Components"](#) for symbols in the figure.

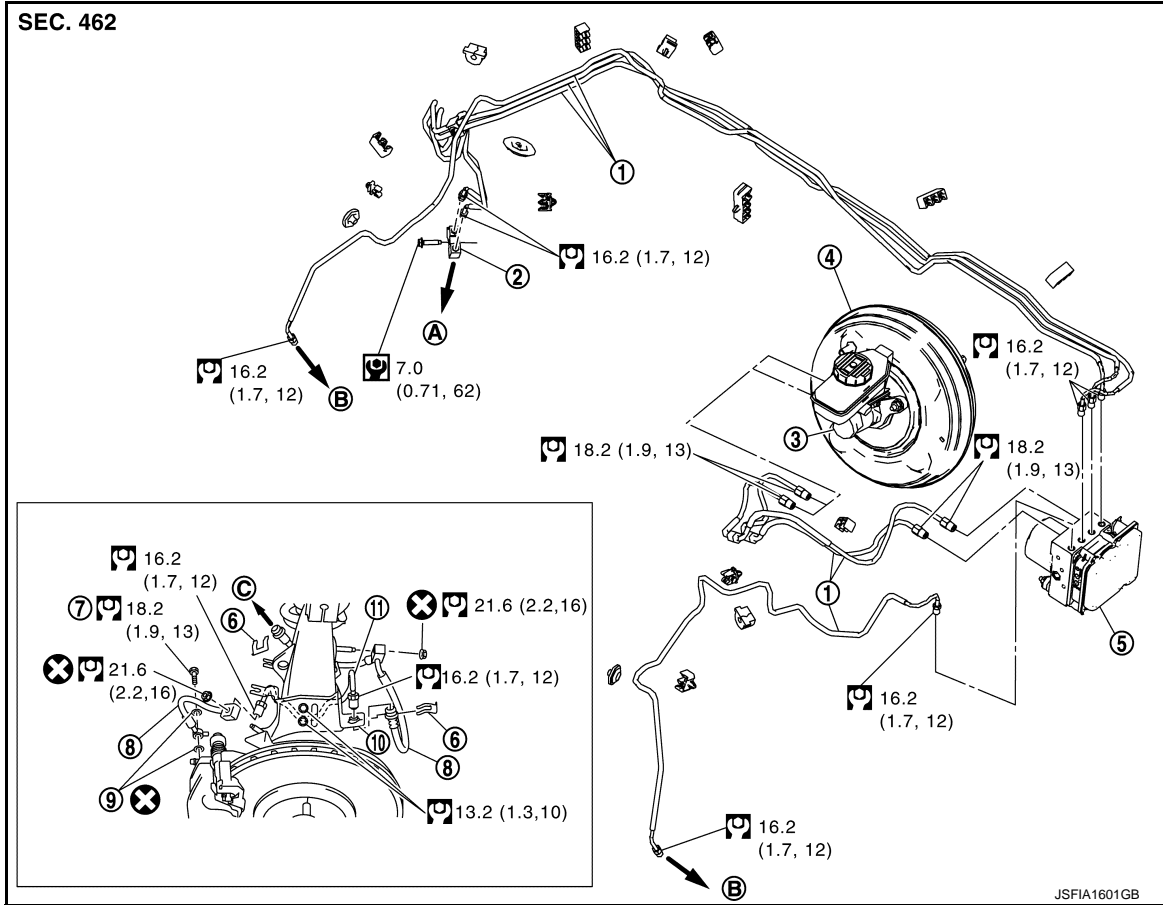
2 Lock Plates Type

A
B
C
D
E
BR
G
H
I
J
K
L
M
N
O
P

BRAKE PIPING

< REMOVAL AND INSTALLATION >

VQ25HR



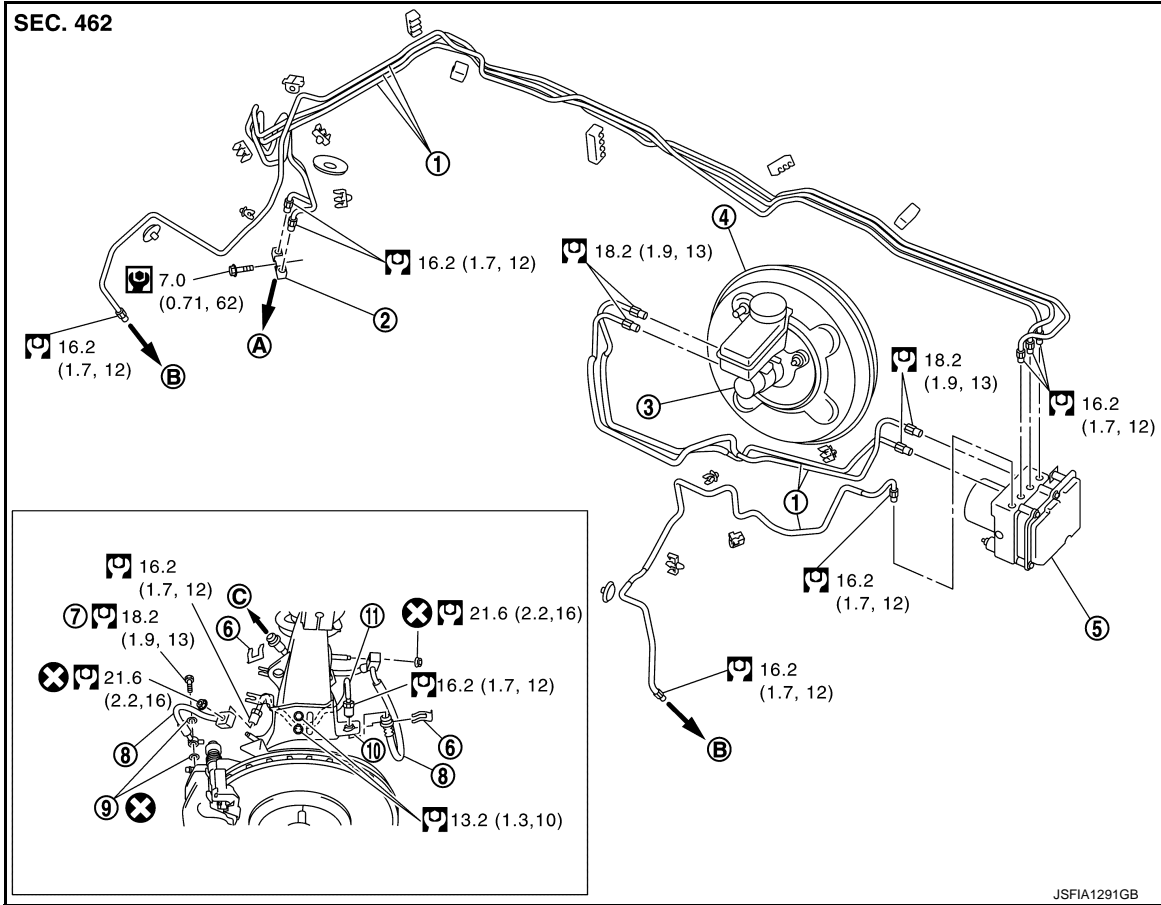
- | | | |
|------------------------|--|------------------------|
| 1. Brake tube | 2. Connector | 3. Master cylinder |
| 4. Brake booster | 5. ABS actuator and electric unit (control unit) | 6. Lock plate |
| 7. Union bolt | 8. Brake hose | 9. Copper washer |
| 10. Brake hose bracket | 11. Brake tube | |
| A. To rear brake tube | B. To front brake hose | C. To front brake tube |

Refer to [GI-4, "Components"](#) for symbols in the figure.

BRAKE PIPING

< REMOVAL AND INSTALLATION >

VQ37VHR



- | | | |
|------------------------|--|------------------------|
| 1. Brake tube | 2. Connector | 3. Master cylinder |
| 4. Brake booster | 5. ABS actuator and electric unit (control unit) | 6. Lock plate |
| 7. Union bolt | 8. Brake hose | 9. Copper washer |
| 10. Brake hose bracket | 11. Brake tube | |
| A. To rear brake tube | B. To front brake hose | C. To front brake tube |

Refer to [GI-4, "Components"](#) for symbols in the figure.

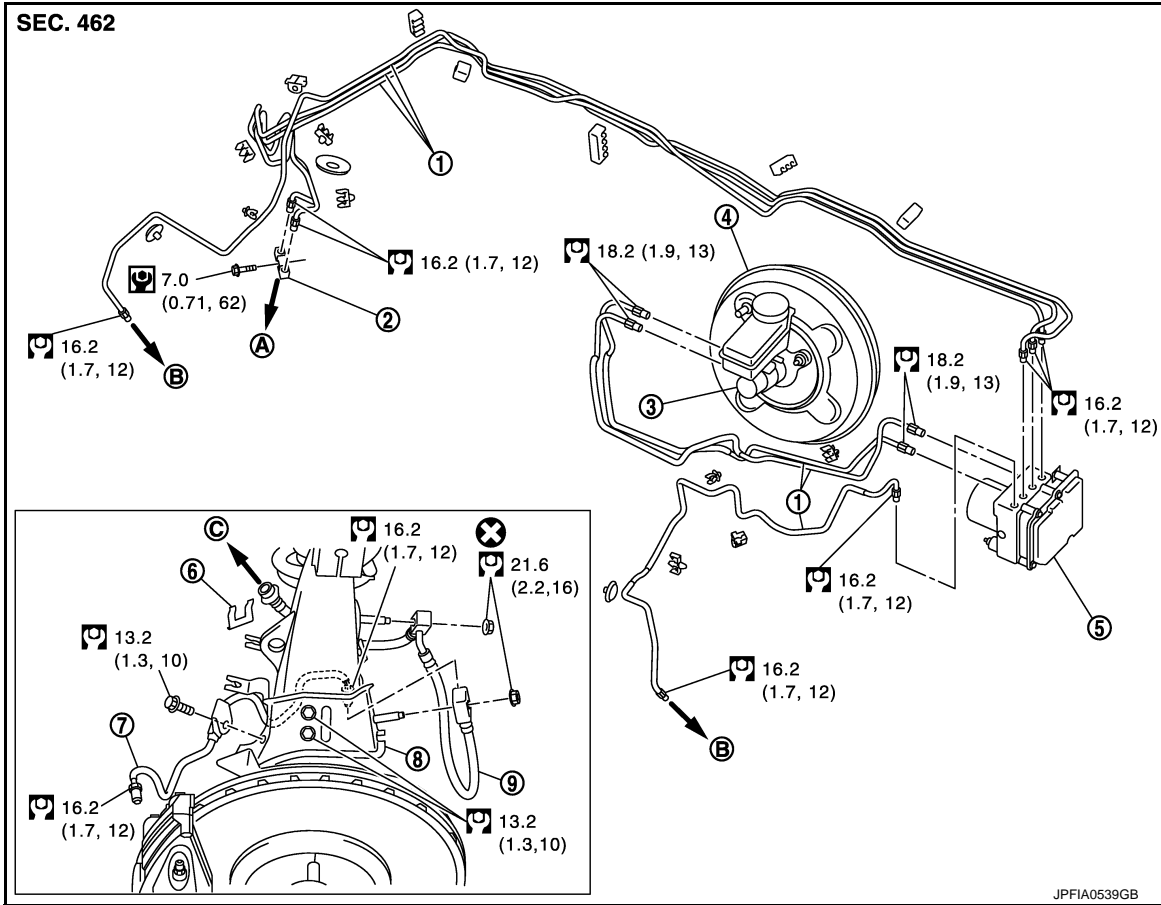
4 PISTON TYPE

1 Lock Plate Type

A
B
C
D
E
BR
G
H
I
J
K
L
M
N
O
P

BRAKE PIPING

< REMOVAL AND INSTALLATION >



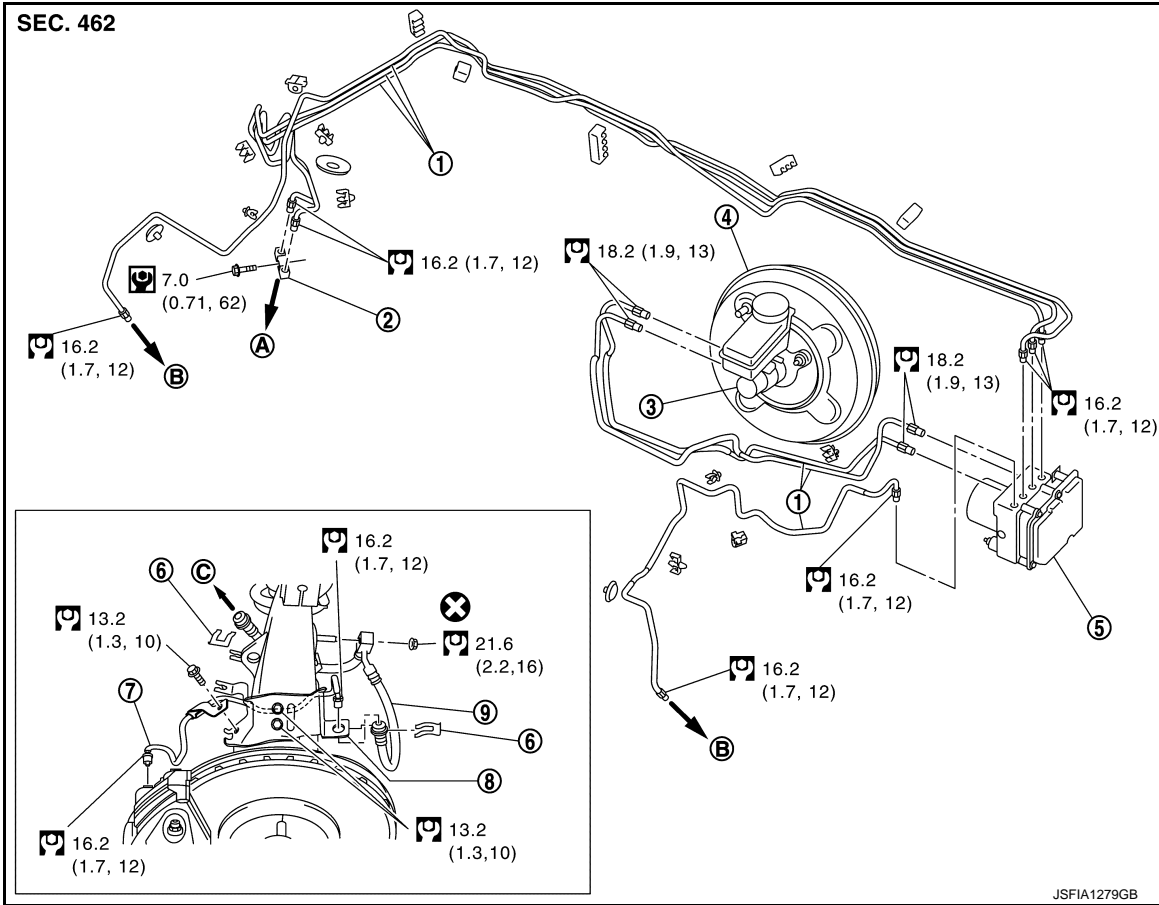
- | | | |
|-----------------------|--|------------------------|
| 1. Brake tube | 2. Connector | 3. Master cylinder |
| 4. Brake booster | 5. ABS actuator and electric unit (control unit) | 6. Lock plate |
| 7. Brake tube | 8. Brake hose bracket | 9. Brake hose |
| A. To rear brake tube | B. To front brake hose | C. To front brake tube |

Refer to [GI-4, "Components"](#) for symbols in the figure.

2 Lock Plates Type

BRAKE PIPING

< REMOVAL AND INSTALLATION >



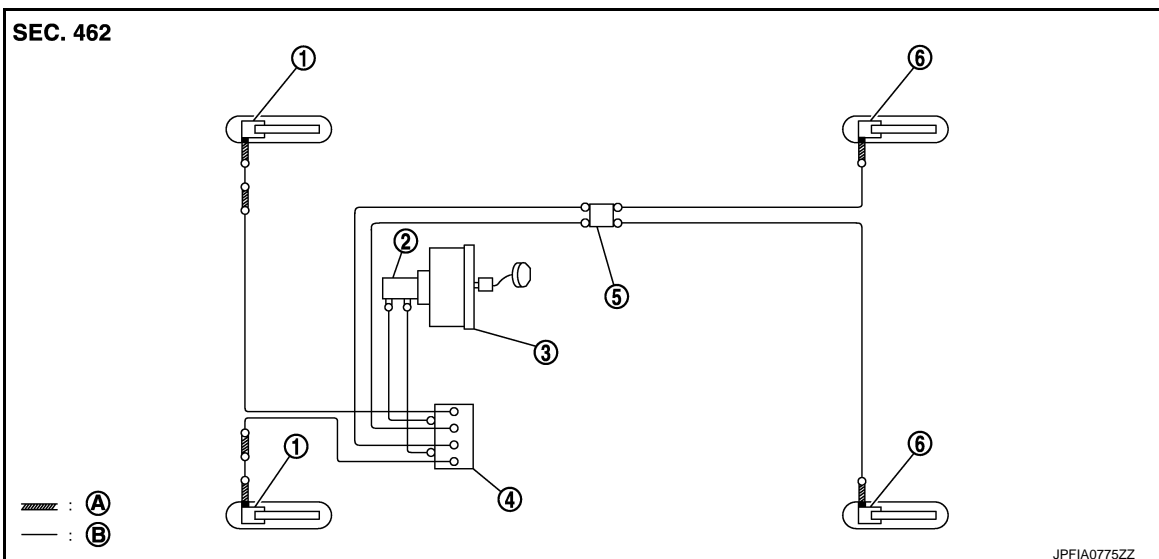
- | | | |
|-----------------------|--|------------------------|
| 1. Brake tube | 2. Connector | 3. Master cylinder |
| 4. Brake booster | 5. ABS actuator and electric unit (control unit) | 6. Lock plate |
| 7. Brake tube | 8. Brake hose bracket | 9. Brake hose |
| A. To rear brake tube | B. To front brake hose | C. To front brake tube |

Refer to [GI-4, "Components"](#) for symbols in the figure.

FRONT : Hydraulic Piping

INFOID:000000007466384

2 PISTON TYPE

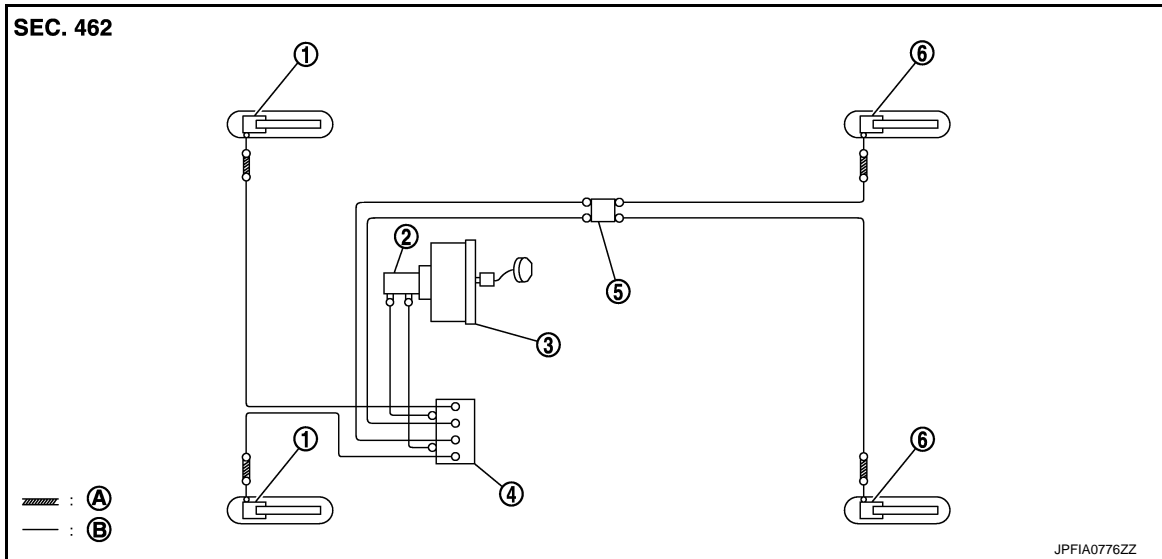


BRAKE PIPING

< REMOVAL AND INSTALLATION >

- | | | |
|--|--------------------|--------------------|
| 1. Front disc brake | 2. Master cylinder | 3. Brake booster |
| 4. ABS actuator and electric unit (control unit) | 5. Connector | 6. Rear disc brake |
| A. Brake hose | B. Brake tube | |
- : Flare nut
■: Union bolt

4 PISTON TYPE



- | | | |
|--|--------------------|--------------------|
| 1. Front disc brake | 2. Master cylinder | 3. Brake booster |
| 4. ABS actuator and electric unit (control unit) | 5. Connector | 6. Rear disc brake |
| A. Brake hose | B. Brake tube | |
- : Flare nut

FRONT : Removal and Installation

INFOID:000000007466385

REMOVAL

2 Piston Type

CAUTION:

Never spill or splash brake fluid on painted surfaces. Brake fluid may seriously damage paint. Wipe it off immediately and wash with water if it gets on a painted surface.

1. Remove tires with power tool.
2. Drain brake fluid. Refer to [BR-10, "Draining"](#).
3. Loosen the flare nut with a flare nut wrench and separate the brake tube from the hose, and remove the brake tube.

CAUTION:

- Never scratch the flare nut and the brake tube.
- Never bend sharply, twist or strongly pull out the brake hoses and tubes.
- Cover open end of brake tubes and hoses when disconnecting to prevent entrance of dirt.

4. Remove the union bolt and copper washers, and remove the brake hose from the brake caliper assembly.
5. Remove the brake hose mounting nut.
6. Remove the lock plate and remove the brake hose.

4 Piston Type

CAUTION:

BRAKE PIPING

< REMOVAL AND INSTALLATION >

Never spill or splash brake fluid on painted surfaces. Brake fluid may seriously damage paint. Wipe it off immediately and wash with water if it gets on a painted surface.

1. Remove tires with power tool.
2. Drain brake fluid. Refer to [BR-10, "Draining"](#).
3. Loosen the flare nut with a flare nut wrench and separate the brake tube from the brake hose and caliper.
CAUTION:
 - Cover flare nut wrench with a cloth as not to damage the caliper.
 - Never scratch the flare nut and the brake tube.
 - Never bend sharply, twist or strongly pull out the brake hoses and tubes.
 - Cover open end of brake tubes and hoses when disconnecting to prevent entrance of dirt.
4. Remove the brake tube mounting bolt and remove the brake tube.
5. Remove the brake hose mounting nut.
6. Remove the lock plate and remove the brake hose.

INSTALLATION

2 Piston Type

CAUTION:

Never spill or splash brake fluid on painted surfaces. Brake fluid may seriously damage paint. Wipe it off immediately and wash with water if it gets on a painted surface.

1. Assemble the union bolt and the copper washer to the brake hose.

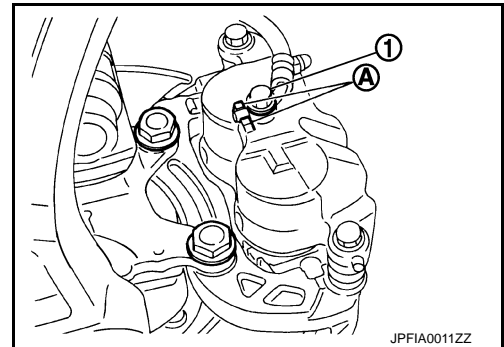
CAUTION:

Never reuse the copper washer.

2. Align the brake hose pin to the projection (A) of the brake caliper assembly and tighten the union bolt (1) to the specified torque.
3. Install the brake tube to the brake hose, temporarily tighten the flare nut by hand until it does not rotate further, and fix the brake hose to the bracket with the lock plate.

CAUTION:

- Check that all brake hose or brake tube are not twisted and bent.
- Insert lock plate, according to the following instructions:
 - Steering knuckle side: Face the opening toward the front of vehicle. (2 lock plates type)
 - Body side: Face the opening toward the inside of vehicle.
- Securely insert the lock plate all the way to the end.
- When installing the lock plate, never damage the brake hose, brake tube and wheel sensor harness.



4. Tighten the brake hose mounting nuts to the specified torque.
CAUTION:
Never reuse the brake hose mounting nuts.
5. Tighten the flare nut to the specified torque with a crowfoot and torque wrench.

CAUTION:

Never scratch the flare nut and the brake tube.

6. Refill with new brake fluid and perform the air bleeding. Refer to [BR-11, "Bleeding Brake System"](#).

CAUTION:

Never reuse drained brake fluid.

7. Install tires.

4 Piston Type

CAUTION:

Never spill or splash brake fluid on painted surfaces. Brake fluid may seriously damage paint. Wipe it off immediately and wash with water if it gets on a painted surface.

1. Install the brake tube to the brake hose and caliper, temporarily tighten the flare nut by hand until it does not rotate further, and fix the brake hose to the bracket with the lock plate.

CAUTION:

- Check that all brake hose or brake tube are not twisted and bent.
- Insert lock plate, according to the following instructions:
 - Steering knuckle side: Face the opening toward the front of vehicle. (2 lock plates type)

BRAKE PIPING

< REMOVAL AND INSTALLATION >

- **Body side: Face the opening toward the inside of vehicle.**
 - **Securely insert the lock plate all the way to the end.**
 - **When installing the lock plate, never damage the brake hose, brake tube and wheel sensor harness.**
2. Tighten the brake hose mounting nuts to the specified torque.
CAUTION:
Never reuse the brake hose mounting nuts.
 3. Tighten the brake tube mounting bolt to the specified torque.
 4. Tighten the flare nut to the specified torque with a crowfoot and torque wrench.
CAUTION:
 - **Cover crowfoot with a cloth as not to damage the caliper.**
 - **Never scratch the flare nut and the brake tube.**
 5. Refill with new brake fluid and perform the air bleeding. Refer to [BR-11, "Bleeding Brake System"](#).
CAUTION:
Never reuse drained brake fluid.
 6. Install tires.

FRONT : Inspection

INFOID:000000007466386

INSPECTION AFTER INSTALLATION

1. Check the brake hoses and tubes for the following: no scratches; no twist and deformation; no interference with other components when steering the steering wheel; no looseness at connections.
2. Depress the brake pedal with a force of 785 N (80 kg, 176 lb) and hold down the pedal for approximately 5 seconds with the engine running. Check for any fluid leakage.

CAUTION:

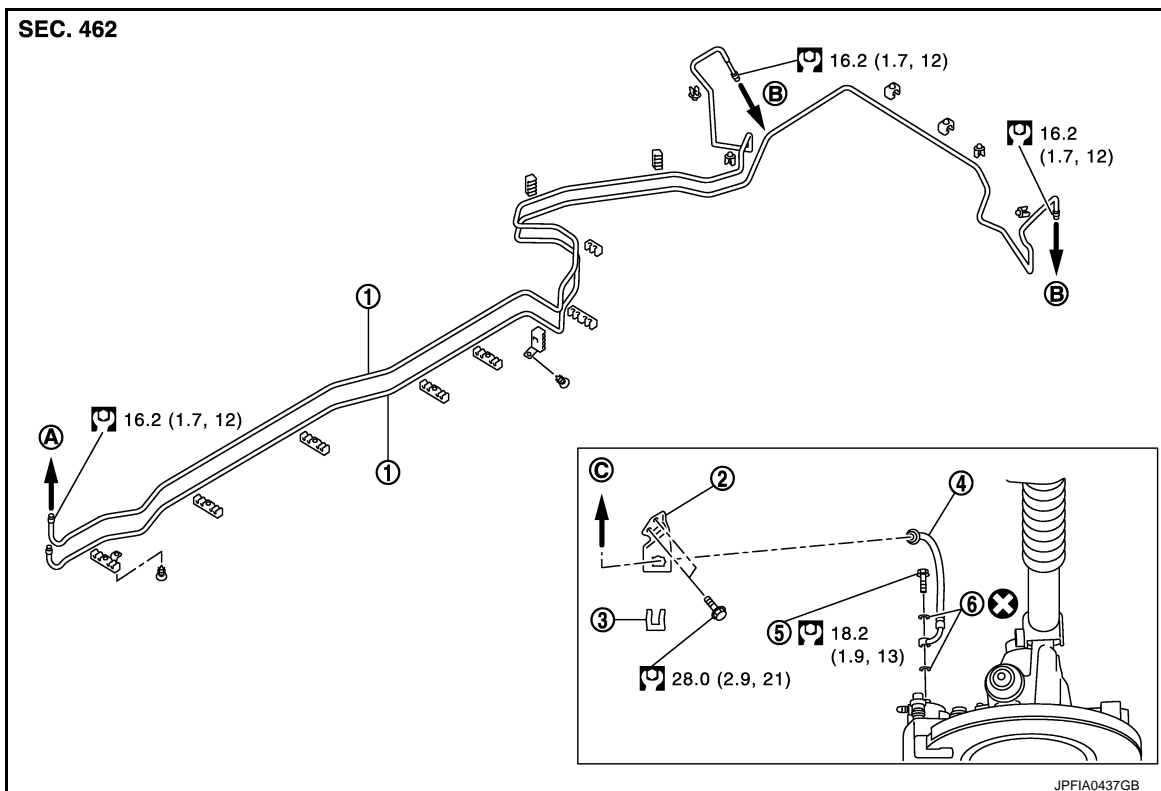
Retighten the applicable connection to the specified torque and repair any abnormal (damaged, worn or deformed) part if any brake fluid leakage is present.

REAR

REAR : Exploded View

INFOID:000000007466387

1 PISTON TYPE



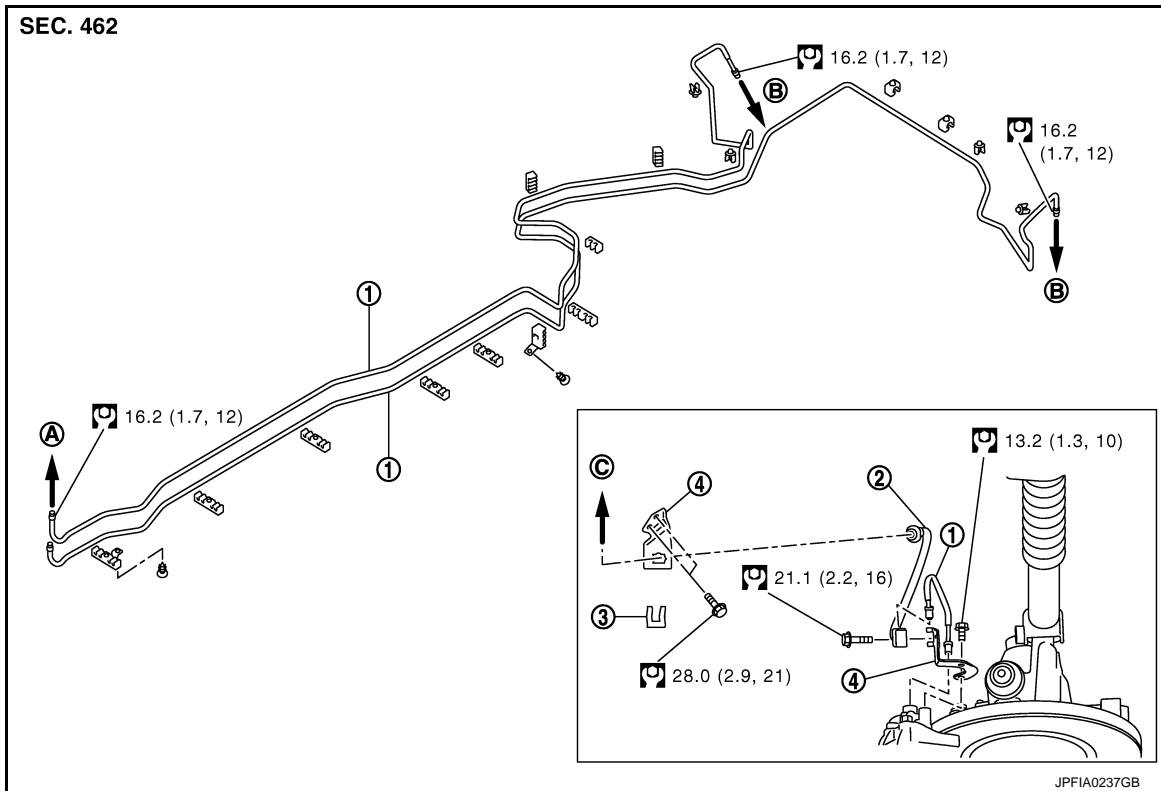
BRAKE PIPING

< REMOVAL AND INSTALLATION >

- | | | |
|-----------------|-----------------------|-----------------------|
| 1. Brake tube | 2. Brake hose bracket | 3. Lock plate |
| 4. Brake hose | 5. Union bolt | 6. Copper washer |
| A. To connector | B. To rear brake hose | C. To rear brake tube |

Refer to [GI-4, "Components"](#) for symbols in the figure.

2 PISTON TYPE



- | | | |
|-----------------------|-----------------------|-----------------------|
| 1. Brake tube | 2. Brake hose | 3. Lock plate |
| 4. Brake hose bracket | | |
| A. To connector | B. To rear brake hose | C. To rear brake tube |

Refer to [GI-4, "Components"](#) for symbols in the figure.

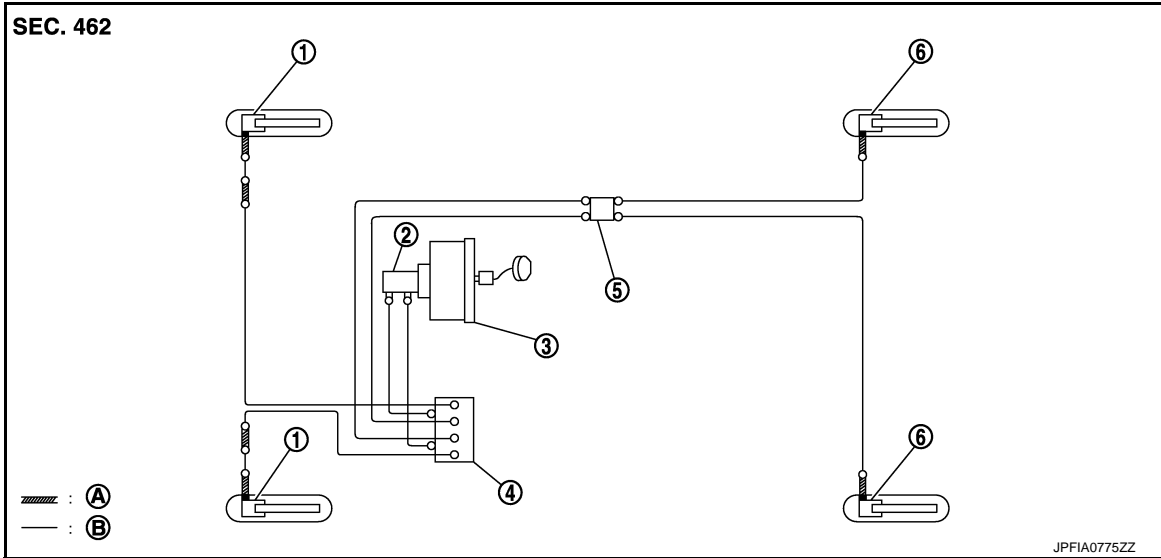
REAR : Hydraulic Piping

INFOID:000000007466388

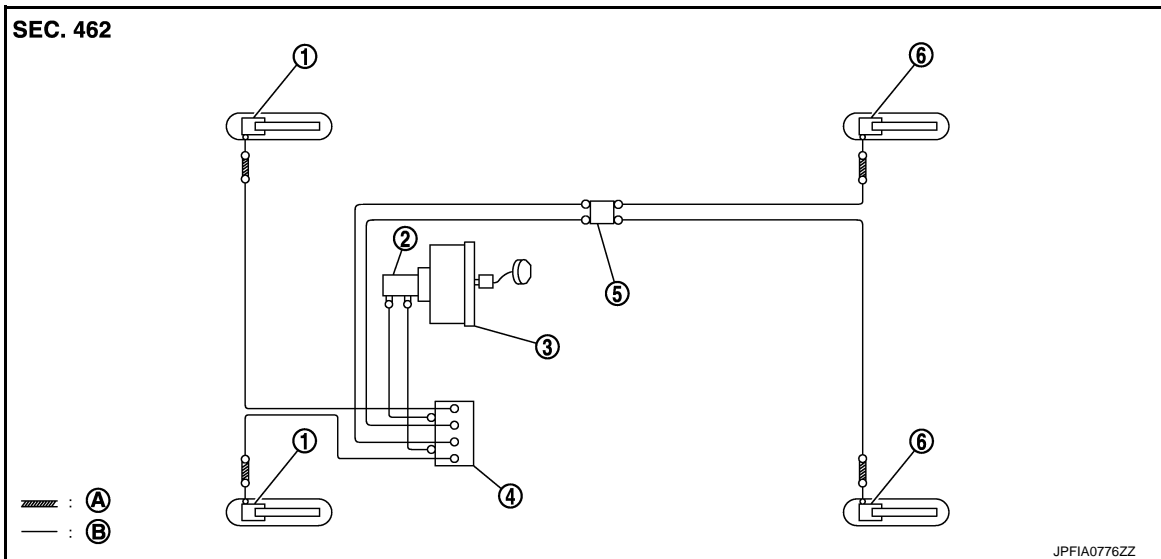
1 PISTON TYPE

BRAKE PIPING

< REMOVAL AND INSTALLATION >



2 PISTON TYPE



REAR : Removal and Installation

INFOID:000000007466389

REMOVAL

1 Piston Type

BRAKE PIPING

< REMOVAL AND INSTALLATION >

CAUTION:

Never spill or splash brake fluid on painted surfaces. Brake fluid may seriously damage paint. Wipe it off immediately and wash with water if it gets on a painted surface.

1. Remove tires with power tool.
2. Drain brake fluid. Refer to [BR-10, "Draining"](#).
3. Loosen the flare nut with a flare nut wrench and separate the brake tube from the brake hose.

CAUTION:

- Never scratch the flare nut and the brake tube.
- Never sharply bend, twist or strongly pull the brake hoses and tubes.
- Cover the open end of brake tubes and hoses when disconnecting to prevent entrance of dirt.

4. Remove the union bolt and copper washers, and remove the brake hose from the brake caliper assembly.
5. Remove the lock plate and remove the brake hose from the vehicle.

2 Piston Type

CAUTION:

Never spill or splash brake fluid on painted surfaces. Brake fluid may seriously damage paint. Wipe it off immediately and wash with water if it gets on a painted surface.

1. Remove tires with power tool.
2. Drain brake fluid. Refer to [BR-10, "Draining"](#).
3. Loosen the flare nut with a flare nut wrench and separate the brake tube from the brake hose and caliper, and remove the brake tube.

CAUTION:

- Cover flare nut wrench with a cloth as not to damage the caliper.
- Never scratch the flare nut and the brake tube.
- Never sharply bend, twist or strongly pull the brake hoses and tubes.
- Cover the open end of brake tubes and hoses when disconnecting to prevent entrance of dirt.

4. Remove the brake hose mounting bolt.
5. Remove the lock plate and remove the brake hose from the vehicle.

INSTALLATION

1 Piston Type

CAUTION:

Never spill or splash brake fluid on painted surfaces. Brake fluid may seriously damage paint. Wipe it off immediately and wash with water if it gets on a painted surface.

1. Assemble the union bolt and the copper washer to the brake hose.

CAUTION:

Never reuse copper washer.

2. Install the brake hose L-pin by aligning it with the brake caliper assembly positioning hole, and tighten the union bolt (1) to the specified torque.
3. Connect the hose to the brake tube, temporarily tighten the flare nut by hand until it does not rotate further, and fix the brake hose to the bracket with the lock plate.

CAUTION:

- Check that all brake hose or brake tube are not twisted and bent.
- Insert lock plate, according to the following instructions:
 - Body side: Face the opening toward the inside of vehicle.
- Securely insert the lock plate all the way to the end.
- When installing the lock plate, never damage the brake hose and brake tube.

4. Tighten the flare nut to the specified torque with a crowfoot and torque wrench.

CAUTION:

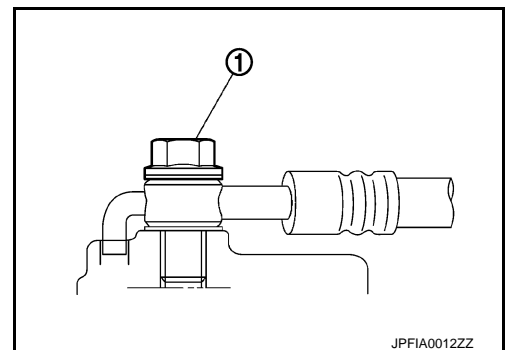
Never scratch the flare nut and the brake tube.

5. Refill with new brake fluid and perform the air bleeding. Refer to [BR-11, "Bleeding Brake System"](#).

CAUTION:

Never reuse drained brake fluid.

6. Install tires.



BRAKE PIPING

< REMOVAL AND INSTALLATION >

2 Piston Type

CAUTION:

Never spill or splash brake fluid on painted surfaces. Brake fluid may seriously damage paint. Wipe it off immediately and wash with water if it gets on a painted surface.

1. Connect the hose to the brake tube, temporarily tighten the flare nut by hand until it does not rotate further, and fix the brake hose to the bracket with the lock plate.

CAUTION:

- Check that all brake hose or brake tube are not twisted and bent.
- Insert lock plate, according to the following instructions:
 - Body side: Face the opening toward the inside of vehicle.
- Securely insert the lock plate all the way to the end.
- When installing the lock plate, never damage the brake hose and brake tube.

2. Tighten the brake hose mounting bolt to the specified torque.
3. Tighten the flare nut to the specified torque with a crowfoot and torque wrench.

CAUTION:

- Cover crowfoot with a cloth as not to damage the caliper.
- Never scratch the flare nut and the brake tube.

4. Refill with new brake fluid and perform the air bleeding. Refer to [BR-11, "Bleeding Brake System"](#).

CAUTION:

Never reuse drained brake fluid.

5. Install tires.

REAR : Inspection

INFOID:000000007466390

INSPECTION AFTER INSTALLATION

1. Check the brake hoses and tubes for the following: no scratches; no twist and deformation; no interference with other components when steering the steering wheel; no looseness at connections.
2. Depress the brake pedal with a force of 785 N (80kg, 176 lb) and hold down the pedal for approximately 5 seconds with the engine running. Check for any fluid leakage.

CAUTION:

Retighten the applicable connection to the specified torque and repair any abnormal (damaged, worn or deformed) part if any brake fluid leakage is present.

BRAKE MASTER CYLINDER

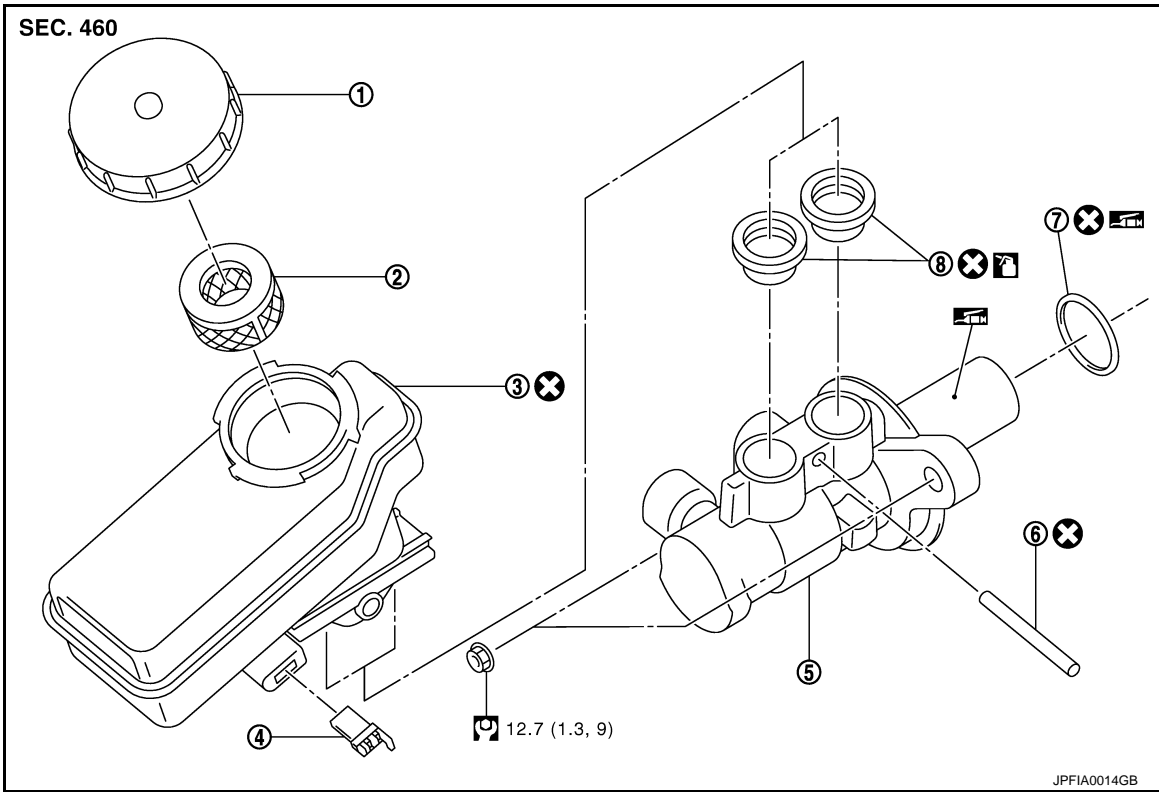
< REMOVAL AND INSTALLATION >

BRAKE MASTER CYLINDER

Exploded View

INFOID:000000007466391

VQ25HR (2WD)



- | | | |
|---------------------------------------|------------------|-------------------|
| 1. Reservoir cap | 2. Oil strainer | 3. Reservoir tank |
| 4. Brake fluid level switch connector | 5. Cylinder body | 6. Pin |
| 7. O-ring | 8. Grommet | |

: Apply silicone grease.

: Apply brake fluid.

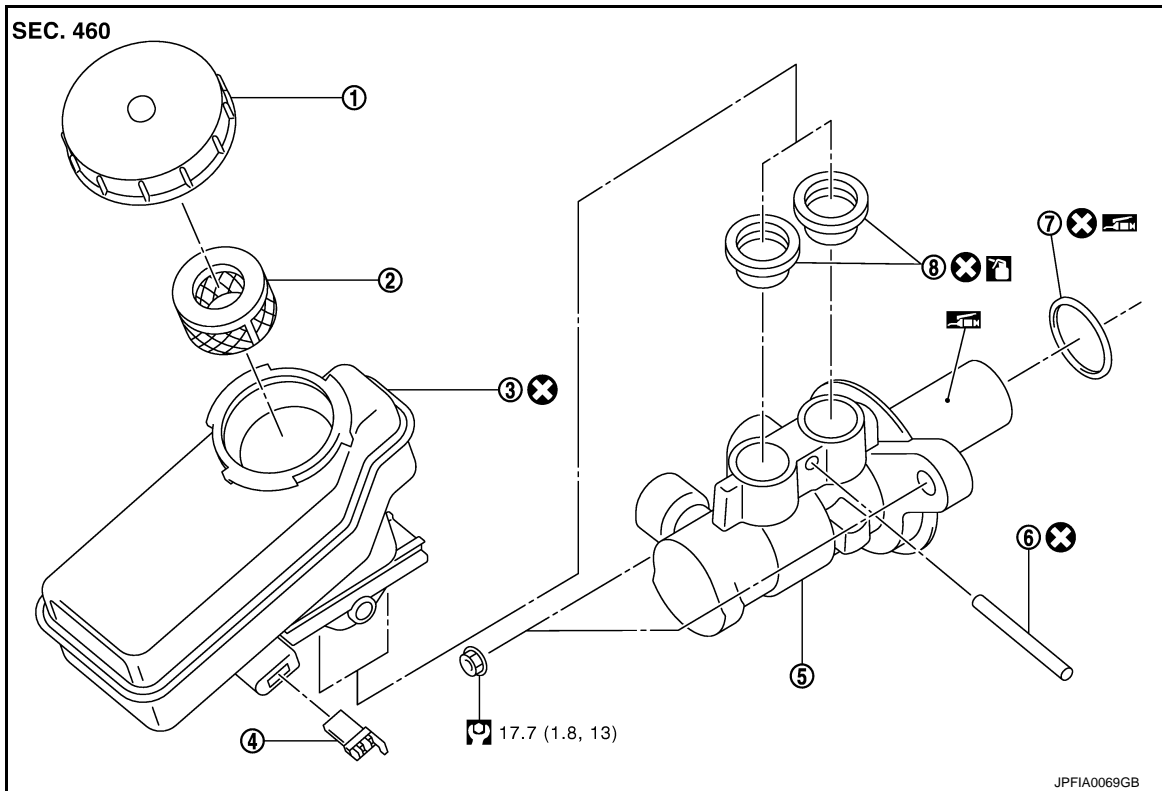
Refer to [GI-4. "Components"](#) for symbols not described on the above.

VQ25HR (AWD) AND VQ37VHR


A
B
C
D
E
BR
G
H
I
J
K
L
M
N
O
P


BRAKE MASTER CYLINDER

< REMOVAL AND INSTALLATION >



- | | | |
|---------------------------------------|------------------|-------------------|
| 1. Reservoir cap | 2. Oil strainer | 3. Reservoir tank |
| 4. Brake fluid level switch connector | 5. Cylinder body | 6. Pin |
| 7. O-ring | 8. Grommet | |

: Apply silicone grease.

: Apply brake fluid.

Refer to [GI-4. "Components"](#) for symbols not described on the above.

Removal and Installation

INFOID:000000007466392

REMOVAL

CAUTION:

Never spill or splash brake fluid on painted surfaces. Brake fluid may seriously damage paint. Wipe it off immediately and wash with water if it gets on a painted surface.

1. Remove the brake master cylinder cover and hoodledge cover LH. Refer to [EXT-24. "Exploded View"](#).
2. Drain brake fluid. Refer to [BR-10. "Draining"](#).
3. Disconnect the brake fluid level switch harness connector.
4. Remove the brake tube from between ABS actuator and electric unit (control unit) and master cylinder assembly with a flare nut wrench.

CAUTION:

Never scratch the flare nut and the brake tube.

5. Remove the master cylinder assembly.

CAUTION:

- Depress the brake pedal several times to release the vacuum pressure from the brake booster. Then remove the master cylinder assembly.
- Never depress the brake pedal after the master cylinder assembly is removed.
- The piston of the master cylinder assembly is exposed. Never damage it when removing the master cylinder.
- The piston may drop off when pulled out strongly. Never hold the piston. Hold the cylinder body when handling the master cylinder assembly.

INSTALLATION

BRAKE MASTER CYLINDER

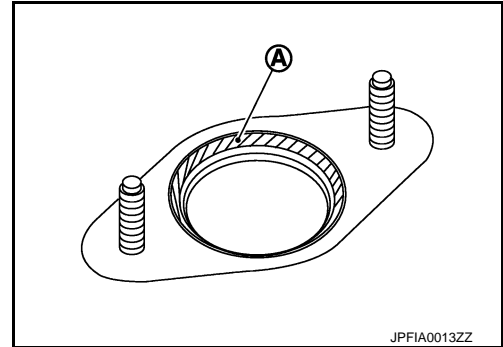
< REMOVAL AND INSTALLATION >

CAUTION:

Never spill or splash brake fluid on painted surfaces. Brake fluid may seriously damage paint. Wipe it off immediately and wash with water if it gets on a painted surface.

Note the following, and install in the reverse order of removal.

- Never depress the brake pedal after the master cylinder assembly is removed.
- Apply silicone grease to the brake booster [see (A) in the figure] when installing the master cylinder assembly to the brake booster.
- The piston of the master cylinder assembly is exposed. Never damage it when handling the master cylinder and check that no dirt and dust are present on the piston before installation. Clean it with new brake fluid if necessary.
- The piston may drop off when pulled strongly. Never hold the piston. Hold the cylinder body when handling the master cylinder assembly.
- Never reuse the O-ring.
- Temporarily tighten the brake tube flare nut to the master cylinder assembly by hand. Then tighten it to the specified torque with a crowfoot and torque wrench. Refer to [BR-20, "FRONT : Exploded View"](#).



A
B
C
D
E

BR

G

INFOID:000000007466393

H

Disassembly and Assembly

DISASSEMBLY

CAUTION:

- Never disassemble the cylinder body.
- Remove the reservoir tank only when necessary.

1. Fix the master cylinder assembly to a vise.

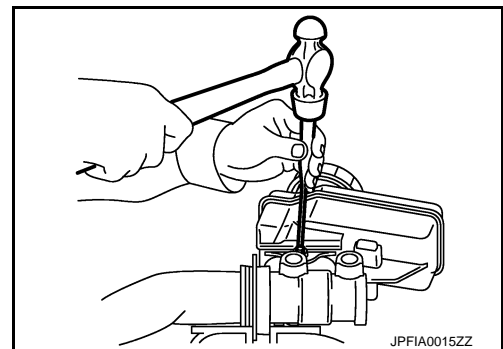
CAUTION:

Always set copper plates or cloth between vise grips when fixing the cylinder body to a vise. Never overtighten the vise.

2. Remove the reservoir tank mounting pin with a pin punch [0.4 mm (0.157 in)].
3. Remove the reservoir tank and grommet from the cylinder body.

CAUTION:

Never drop the removed parts. The parts must not be reused if they are dropped.



I
J
K
L
M
N

ASSEMBLY

1. Apply new brake fluid to the grommet and install it to the cylinder body.

CAUTION:

- Never use mineral oil such as gasoline or light oil.
- Never reuse the grommets.

2. Install the reservoir tank to the cylinder body.

CAUTION:

- Never drop the parts when installing. The parts must not be reused if they are dropped.
- Never reuse the reservoir tank.

O
P

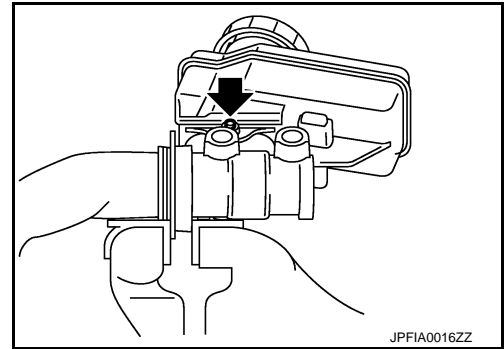
BRAKE MASTER CYLINDER

< REMOVAL AND INSTALLATION >

3. Fix the cylinder body to a vise.

CAUTION:

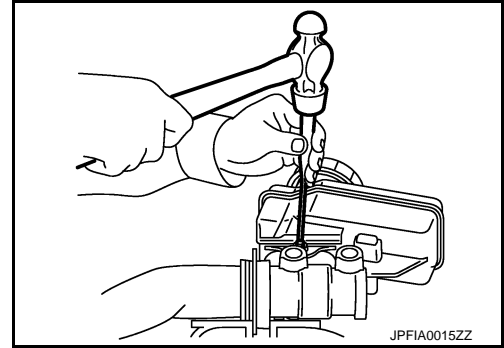
- Place the reservoir tank with the chamfered pin hole (←) facing up.
- Always set copper plates or cloth between vise grips when fixing the cylinder body to a vise. Never overtighten the vise.



4. Tilt the reservoir tank so that a mounting pin can be inserted. Insert a mounting pin. Return the reservoir tank to the horizontal position. Insert another mounting pin into the pin hole on the opposite side in the same manner after the mounting pin passes through the cylinder body pin hole.

CAUTION:

Never reuse the mounting pin.



Inspection

INFOID:000000007466394

INSPECTION AFTER INSTALLATION

Fluid Leak

Check for brake fluid leakage from the cylinder body-to-brake booster mounting face, reservoir tank mounting face and brake tube connections.

BRAKE BOOSTER

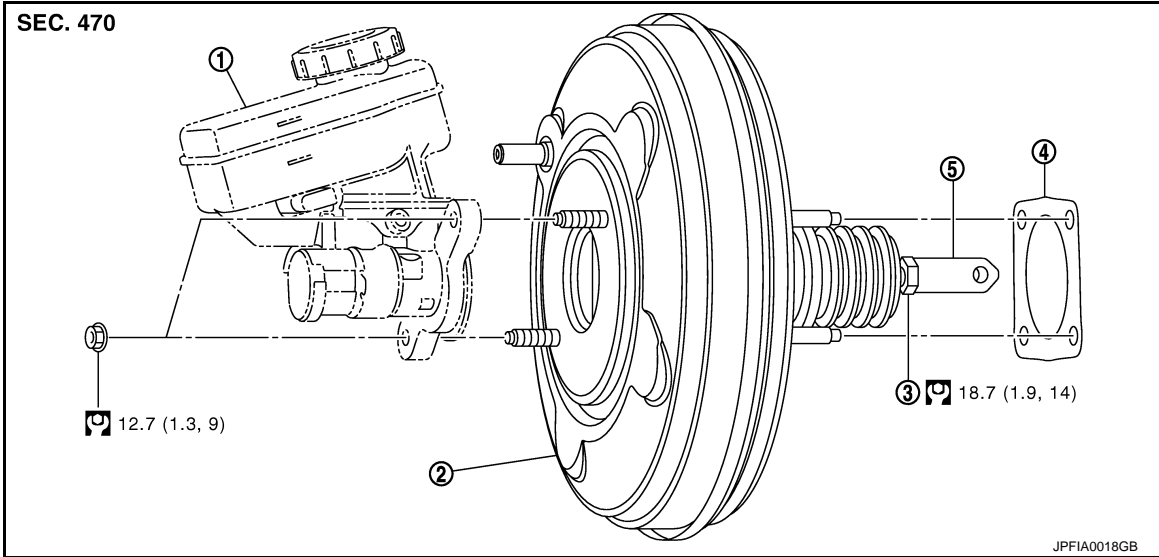
< REMOVAL AND INSTALLATION >

BRAKE BOOSTER

Exploded View

INFOID:000000007466395

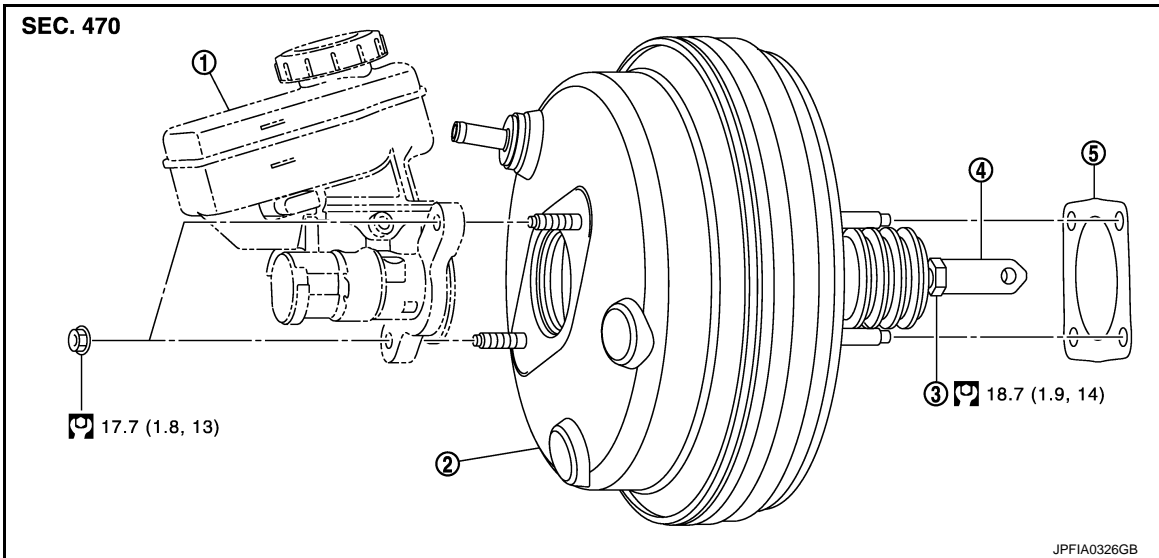
VQ25HR (2WD)



- 1. Master cylinder assembly
- 2. Brake booster
- 3. Lock nut
- 4. Gasket
- 5. Clevis

Refer to [GI-4, "Components"](#) for symbols in the figure.

VQ25HR (AWD)



- 1. Master cylinder assembly
- 2. Brake booster
- 3. Lock nut
- 4. Gasket
- 5. Clevis

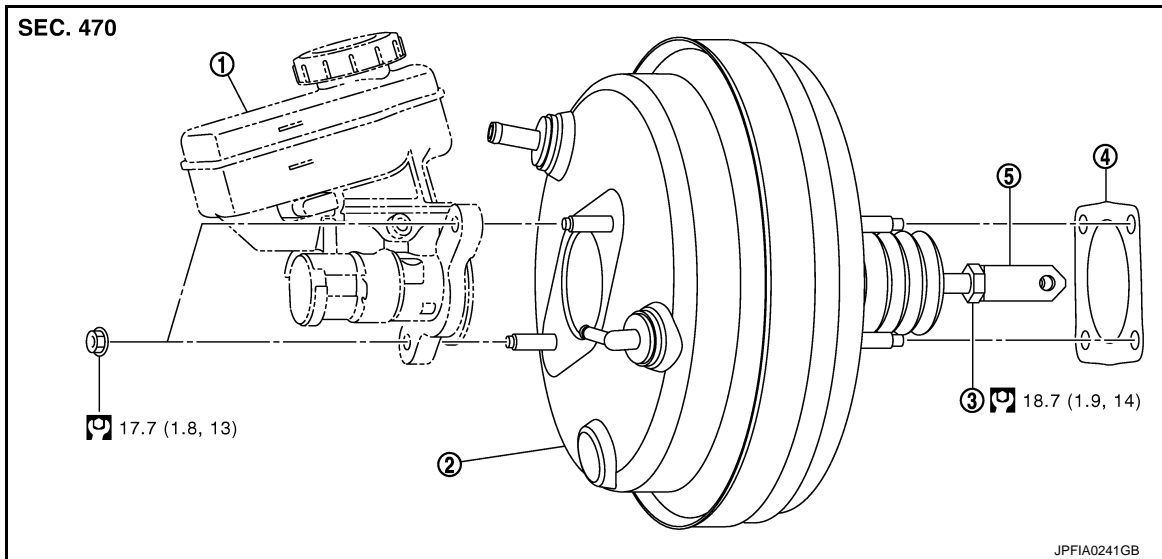
Refer to [GI-4, "Components"](#) for symbols in the figure.

VQ37VHR

A
B
C
D
E
BR
G
H
I
J
K
L
M
N
O
P

BRAKE BOOSTER

< REMOVAL AND INSTALLATION >



- | | | |
|-----------------------------|------------------|-------------|
| 1. Master cylinder assembly | 2. Brake booster | 3. Lock nut |
| 4. Gasket | 5. Clevis | |

Refer to [GI-4, "Components"](#) for symbols in the figure.

Removal and installation

INFOID:000000007466396

REMOVAL

1. Remove cowl top cover. Refer to [EXT-24, "Exploded View"](#).
2. Remove brake booster pressure sensor mounting bracket. Hang brake booster pressure sensor mounting bracket not to interfere with work. (VQ37VHR)
3. Remove brake master cylinder assembly. Refer to [BR-33, "Exploded View"](#).
4. Remove vacuum hose from brake booster. Refer to [BR-42, "Exploded View"](#).
5. Remove brake booster pressure sensor and vacuum hose. Refer to [BR-41, "Exploded View"](#). (VQ37VHR)
6. Remove snap pin and clevis pin. Refer to [BR-18, "Exploded View"](#).
7. Remove nuts on brake booster and brake pedal assembly. Refer to [BR-18, "Exploded View"](#).

CAUTION:

Hold the brake booster so as to avoid dropping out.

8. Remove brake booster from dash panel in engine room side.

CAUTION:

Never deform or bend the brake tubes.

NOTE:

If removing brake booster is difficult, remove clevis from brake booster.

INSTALLATION

Note the following, and install in the reverse order of removal.

- Be careful not to damage brake booster stud bolt threads. If brake booster is tilted during installation, the dash panel may damage the threads.
- Never deform or bend the brake tubes when installing the brake booster.
- Always use a new gasket between the brake booster and the dash panel.
- Replace the clevis pin if it is damaged. Refer to [BR-19, "Inspection and Adjustment"](#).
- Install the brake pedal assembly and brake booster mounting nuts, and tighten it to the specified torque. Refer to [BR-18, "Exploded View"](#).
- After installation, perform the air bleeding. Refer to [BR-11, "Bleeding Brake System"](#).

CAUTION:

Never reuse drained brake fluid.

Inspection and Adjustment

INFOID:000000007466397

INSPECTION BEFORE REMOVAL

BRAKE BOOSTER

< REMOVAL AND INSTALLATION >

Air Tight

CAUTION:

Check the air tight condition when the master cylinder and the brake booster is installed.

1. With a handy vacuum pump, apply vacuum pressure of -66.7 kPa (-500 mmHg, -19.70 inHg) to the brake booster.
2. If the air tight condition cannot be maintained, perform the following operation.
 - a. Check the no dirt and dust are present on the brake booster and brake master cylinder mating faces. Clean it if necessary.
 - b. Check O-ring on the master cylinder. If anything is found, replace the O-ring.
 - c. Check the air tight condition again. If the condition still cannot be maintained, replace the brake booster.

INSPECTION AFTER REMOVAL

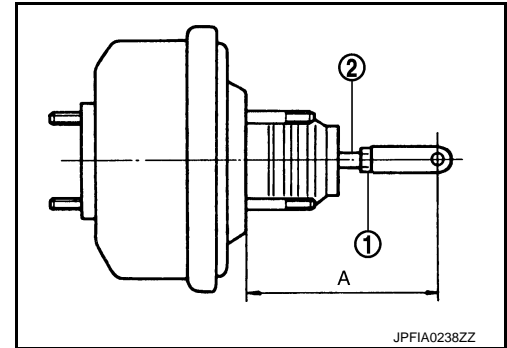
Input Rod Length Inspection

1. Loosen the lock nut (1) and adjust the input rod (2) to the specified length (A).

Standard

A : Refer to [BR-71, "Brake Booster"](#).

2. Tighten the lock nut to the specified torque.



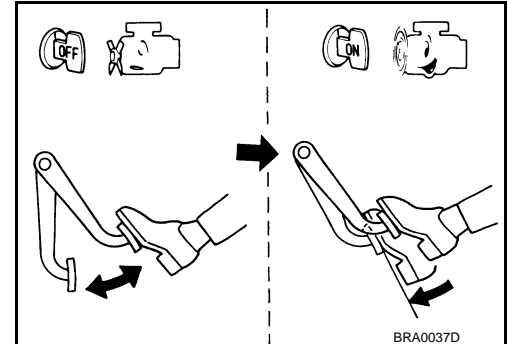
INSPECTION AFTER INSTALLATION

Operation

Depress the brake pedal several times at 5-second intervals with the engine stopped. Start the engine with the brake pedal fully depressed. Check that the clearance between brake pedal and dash lower pane decreases.

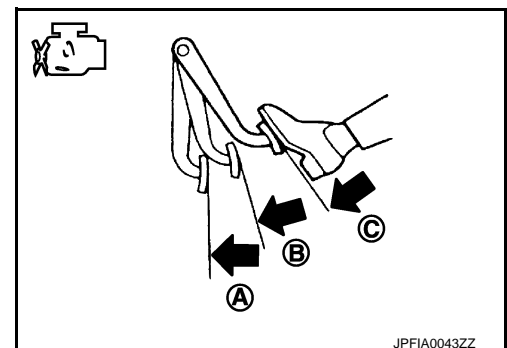
NOTE:

A slight impact with a small click may be felt on the pedal when the brake pedal is fully depressed. This is a normal phenomenon due to the brake system operation.



Air Tight

- Run the engine for 1 minute to apply vacuum to the brake booster, and stop the engine. Then depress the brake pedal several times at 5-second intervals until the accumulated vacuum is released to atmospheric pressure. Check that the clearance between brake pedal and dash lower panel gradually increases (A → B → C) each time the brake pedal is depressed when performing this operation.



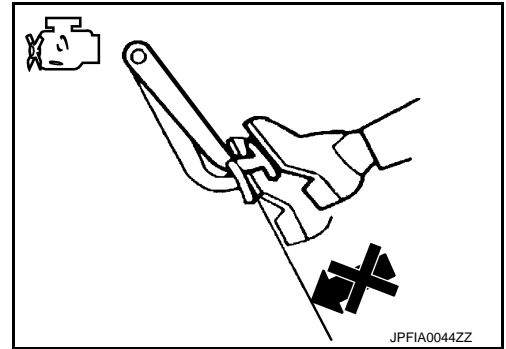
BRAKE BOOSTER

< REMOVAL AND INSTALLATION >

- Depress the brake pedal with the engine running. Then stop the engine while holding down the brake pedal. Check that the brake pedal stroke does not change after holding down the brake pedal for 30 seconds or more.

NOTE:

A slight impact with a small click may be felt on the pedal when the brake pedal is fully depressed. This is a normal phenomenon due to the brake system operation.



ADJUSTMENT AFTER INSTALLATION

Perform the brake pedal adjustment after installing the brake pedal assembly. Refer to [BR-7, "Inspection and Adjustment"](#).

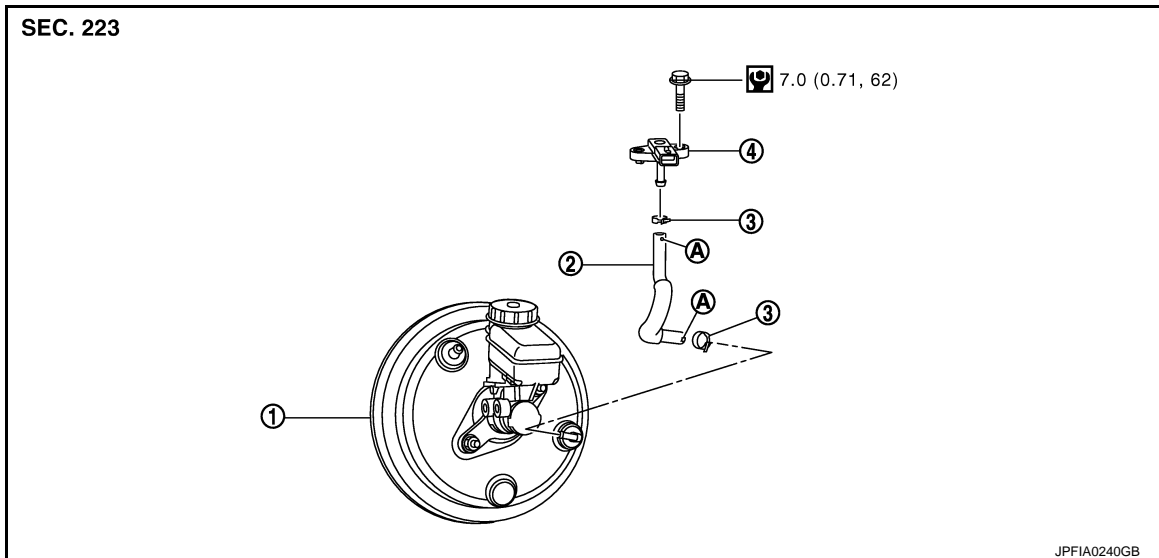
BRAKE BOOSTER PRESSURE SENSOR

< REMOVAL AND INSTALLATION >

BRAKE BOOSTER PRESSURE SENSOR

Exploded View

INFOID:000000007466398



- 1. Brake booster
- 2. Vacuum hose
- 3. Clamp
- 4. Brake booster pressure sensor
- A. Paint mark

Refer to [GI-4, "Components"](#) for symbols in the figure.

Removal and Installation

INFOID:000000007466399

REMOVAL

1. Remove master cylinder cover.
2. Remove brake booster pressure sensor.
3. Remove vacuum hose.

INSTALLATION

Note the following, install in the reverse order of removal.

- When installing vacuum hose, insert it until its tip reaches the back-end of length (A) or further as shown in the figure.

Standard

A : 25 mm (0.98 in) or more

- Face the marking side vehicle front when assembling. (Brake booster side)

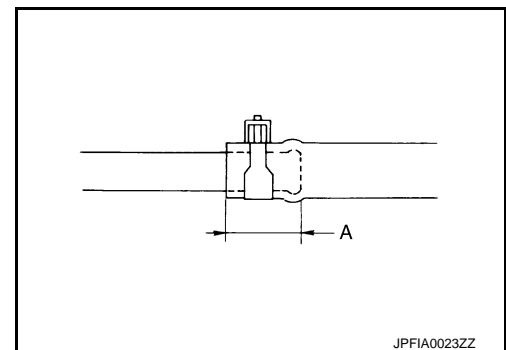
CAUTION:

Never use lubricating oil during assembly.

- Face the marking side connector when assembling. (Brake booster pressure sensor side)

CAUTION:

Never use lubricating oil during assembly.



Inspection

INFOID:000000007466400

INSPECTION AFTER REMOVAL

- Check for correct assembly, damage and deterioration.
- Check for brake booster pressure sensor. Refer to [EC-400, "Component Inspection"](#).

VACUUM LINES

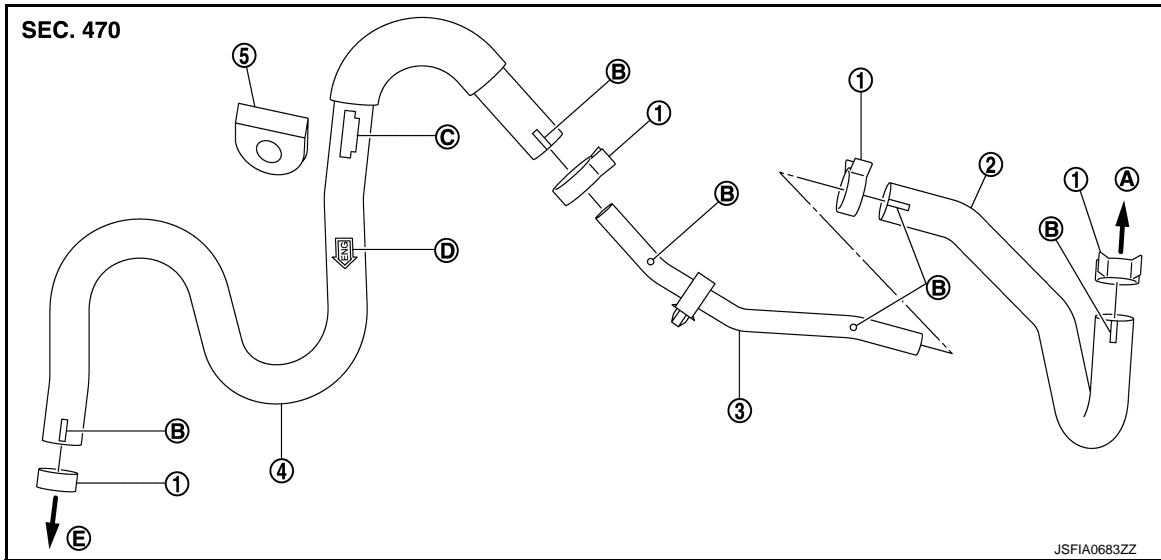
< REMOVAL AND INSTALLATION >

VACUUM LINES

Exploded View

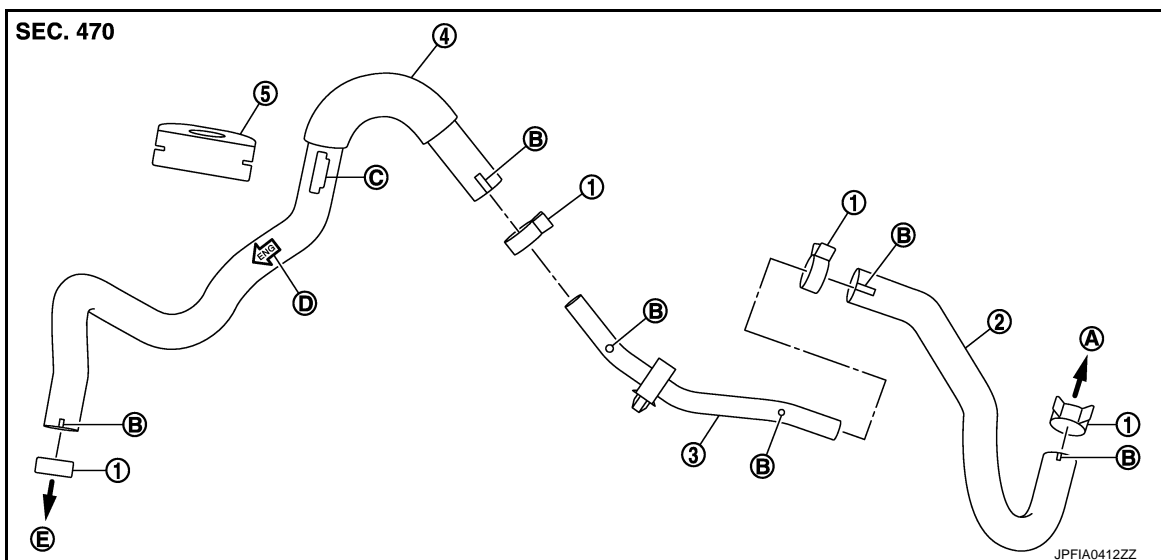
INFOID:000000007466401

VQ25HR



- | | | |
|---------------------------------------|-----------------------|---|
| 1. Clamp | 2. Vacuum hose | 3. Vacuum piping |
| 4. Vacuum hose (built in check valve) | 5. Grommet | |
| A. To brake booster | B. Paint mark | C. Stamp indicating grommet installation position |
| D. Stamp indicating engine direction | E. To intake manifold | |

VQ37VHR



- | | | |
|---------------------------------------|-----------------------|---|
| 1. Clamp | 2. Vacuum hose | 3. Vacuum piping |
| 4. Vacuum hose (built in check valve) | 5. Grommet | |
| A. To brake booster | B. Paint mark | C. Stamp indicating grommet installation position |
| D. Stamp indicating engine direction | E. To intake manifold | |

VACUUM LINES

< REMOVAL AND INSTALLATION >

Removal and Installation

INFOID:000000007466402

REMOVAL

1. Remove the engine cover. Refer to [EM-177, "Exploded View"](#).
2. Remove the cowl top cover. Refer to [EXT-24, "Exploded View"](#).
3. Remove the vacuum hose and tube.

INSTALLATION

Note the following, install in the reverse order of removal.

- Because vacuum hose contains a check valve, it must be installed in the correct position. Refer to the stamp to confirm correct installation. Brake booster will not operate normally if the hose is installed in the wrong direction.
- When installing vacuum hose, insert it until its tip reaches the back-end of length (A) or further as shown in the figure.

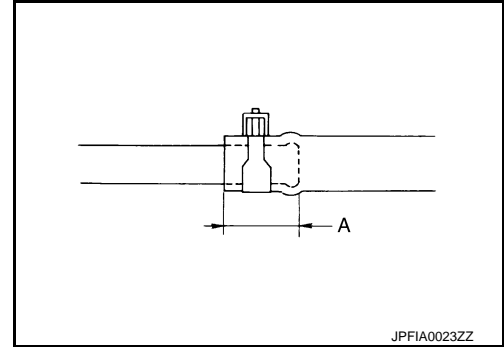
Standard

A : 24 mm (0.95 in) or more

- Face the marking side up when assembling.

CAUTION:

Never use lubricating oil during assembly.



Inspection

INFOID:000000007466403

INSPECTION AFTER REMOVAL

Appearance

Check for correct assembly, damage and deterioration.

Check Valve Airtightness

- Use a handy vacuum pump (A) to check.

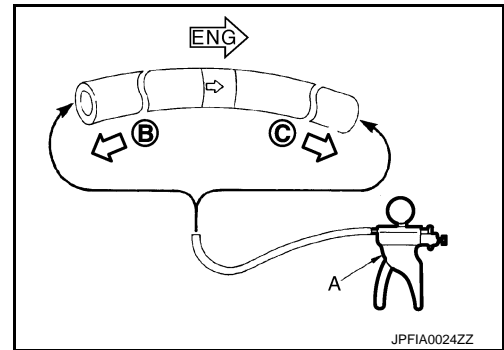
When connected to the booster side (B):

Vacuum should decrease within 1.3 kPa (9.8 mmHg, 0.38 inHg) for 15 seconds under a vacuum of -66.7 kPa (-500 mmHg, -19.69 inHg).

When connected to the engine side (C):

Vacuum should not exist.

- Replace vacuum hose assembly if vacuum hose and check valve are malfunctioning.



FRONT DISC BRAKE

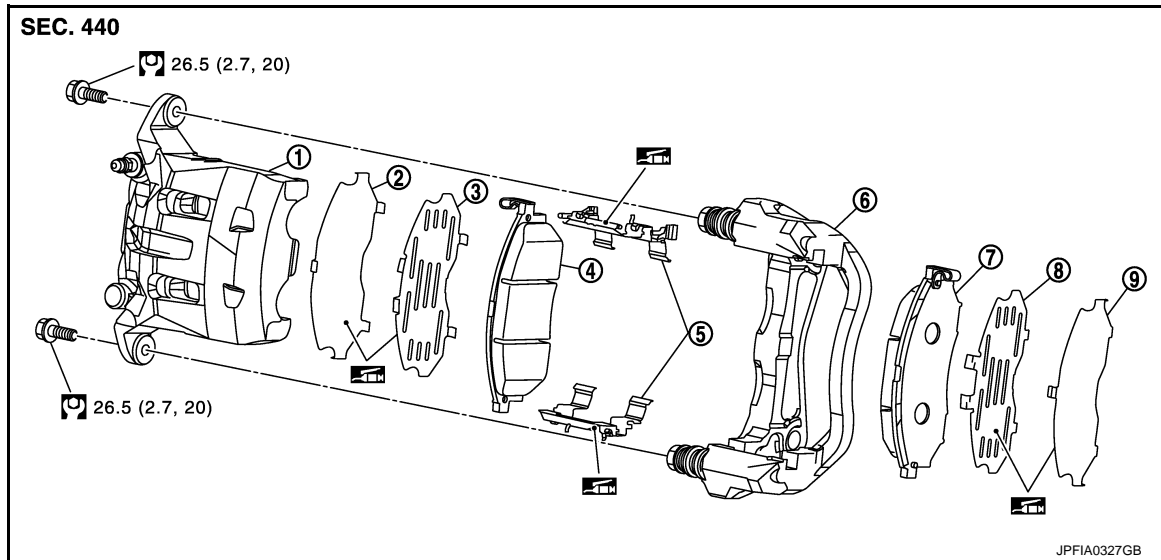
< REMOVAL AND INSTALLATION >

FRONT DISC BRAKE


BRAKE PAD (2 PISTON TYPE)

BRAKE PAD (2 PISTON TYPE) : Exploded View

INFOID:000000007466404



- | | | |
|-------------------------------------|---------------------|---------------------|
| 1. Cylinder body | 2. Inner shim cover | 3. Inner shim |
| 4. Inner pad (with pad wear sensor) | 5. Pad retainer | 6. Torque member |
| 7. Outer pad (with pad wear sensor) | 8. Outer shim | 9. Outer shim cover |

 Apply copper based brake grease.

Refer to [GI-4. "Components"](#) for symbols not described on the above.

BRAKE PAD (2 PISTON TYPE) : Removal and Installation

INFOID:000000007466405

REMOVAL

WARNING:

Since dust covering the front brake has an affect on human body, the dust must be removed with a dust collector. Never splatter the dust with an air blow gun.

CAUTION:

- Never depress the brake pedal while removing the brake pads because the piston may pop out.
- Never spill or splash brake fluid on the disc rotor.

1. Remove tires with power tool.
2. Remove lower sliding pin bolt.
3. Suspend the cylinder body with suitable wire so that the brake hose will not stretch. Then remove the brake pads, shims, shim covers and pad retainers from the torque member.

CAUTION:

- Never deform the pad retainers when removing the pad retainers from the torque member.
- Never damage the piston boot.
- Never drop the brake pads, shims and shim covers.
- Remember each position of the removed brake pads.

INSTALLATION

WARNING:

Since dust covering the front brake has an affect on human body, the dust must be removed with a dust collector. Never splatter the dust with an air blow gun.

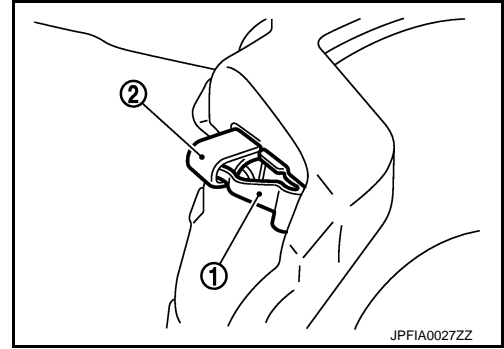
CAUTION:

- Never depress the brake pedal while removing the brake pads or the cylinder body because the piston may pop out.
- Never spill or splash brake fluid on the disc rotor.

FRONT DISC BRAKE

< REMOVAL AND INSTALLATION >

1. Apply copper based brake grease to the pad retainers before installing it to the torque member if the pad retainers has been removed.
CAUTION:
 - **Securely assemble the pad retainers so that it will not be lifted up from the torque member.**
 - **Never deform the pad retainers.**
2. Apply copper based brake grease to the mating faces between the shim and shim cover, and install them to the brake pad.
CAUTION:
Always replace the shims and shim covers when replacing the brake pad.
3. Install the brake pads to the torque member.
CAUTION:
Both inner and outer pads have a pad return system on the pad retainer. Install pad return lever (1) securely to pad wear sensor (2).
4. Install cylinder body to torque member.
CAUTION:
 - **Never damage the piston boot.**
 - **When replacing brake pad with new one, check a brake fluid level in the reservoir tank because brake fluid returns to master cylinder reservoir tank when pressing piston in.****NOTE:**
Use a disc brake piston tool to easily press piston.
5. Install the lower sliding pin bolt and tighten it to the specified torque.
6. Depress the brake pedal several times to check that no drag feel is present for the front disc brake. Refer to [BR-45, "BRAKE PAD \(2 PISTON TYPE\) : Inspection"](#).
7. Install tires.



BRAKE PAD (2 PISTON TYPE) : Inspection

INFOID:000000007466406

INSPECTION AFTER REMOVAL

Replace the shims and shim covers if rust is excessively attached.

INSPECTION AFTER INSTALLATION

1. Check a drag of front disc brake. If any drag is found, follow the procedure described below.
2. Remove brake pads.
3. Press the pistons.
CAUTION:
 - **Never damage the piston boot.**
 - **When replacing a pad with new one, check a brake fluid level in the reservoir tank because brake fluid returns to master cylinder reservoir tank when pressing piston in.****NOTE:**
Use a disc brake piston tool to easily press piston.
4. Install brake pads.
5. Depress the brake pedal several times.
6. Check a drag of front disc brake again. If any drag is found, disassemble the cylinder body. Refer to [BR-50, "BRAKE CALIPER ASSEMBLY \(2 PISTON TYPE\) : Disassembly and Assembly"](#)
7. Burnish contact surface brake pads and disc rotor after refinishing or replacing brake pads, or if a soft pedal occurs at very low mileage. Refer to [BR-14, "BRAKE PAD : Inspection and Adjustment"](#).

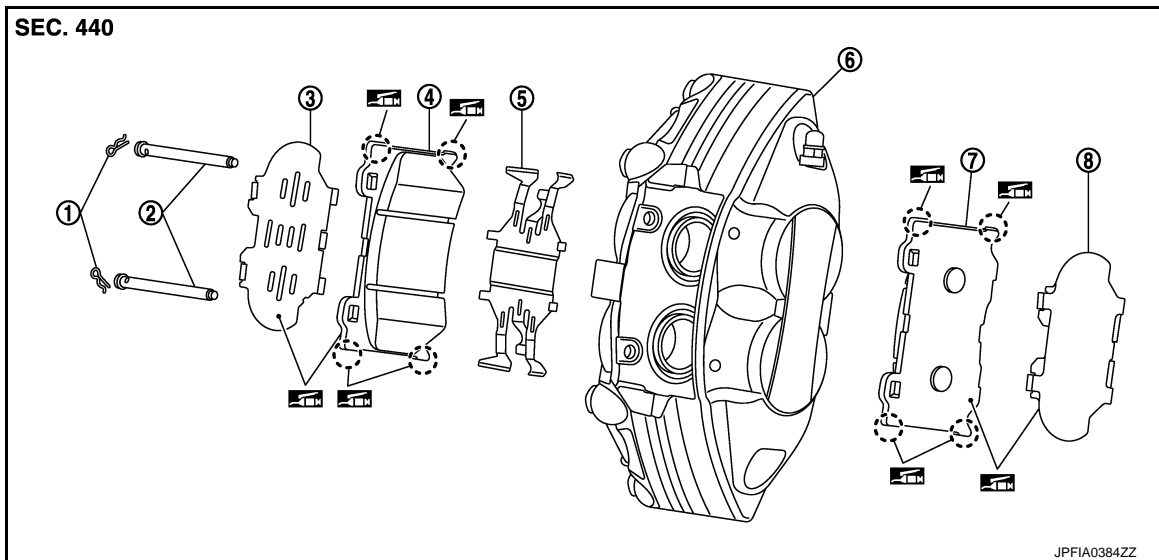
BRAKE PAD (4 PISTON TYPE)

FRONT DISC BRAKE


< REMOVAL AND INSTALLATION >

BRAKE PAD (4 PISTON TYPE) : Exploded View

INFOID:000000007466407



- | | | |
|-------------------------------------|-----------------|---------------|
| 1. Clip | 2. Pad pin | 3. Inner shim |
| 4. Inner pad (with pad wear sensor) | 5. Cross spring | 6. Caliper |
| 7. Outer pad | 8. Outer shim | |

 Apply copper based brake grease.

Refer to [GI-4, "Components"](#) for symbols not described on the above.

BRAKE PAD (4 PISTON TYPE) : Removal and Installation

INFOID:000000007466408

REMOVAL

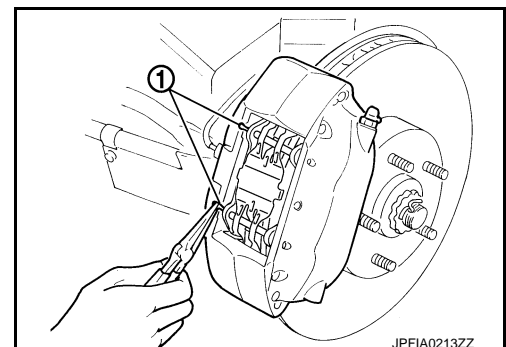
WARNING:

Since dust covering the front brake has an affect on human body, the dust must be removed with a dust collector. Never splatter the dust with an air blow gun.

CAUTION:

- Never depress the brake pedal while removing the brake pads because the piston may pop out.
- Never spill or splash brake fluid on the disc rotor and caliper.

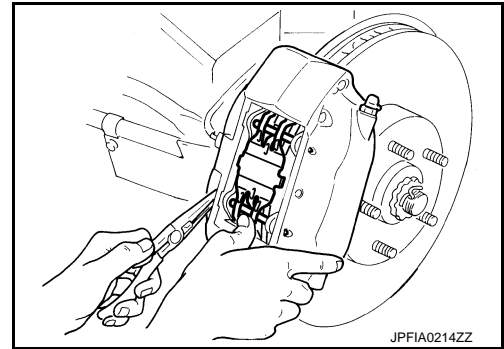
1. Remove tires with power tool.
2. Remove clips (1) from pad pins.



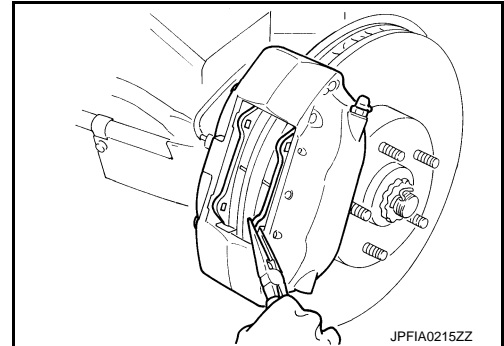
FRONT DISC BRAKE

< REMOVAL AND INSTALLATION >

3. Remove pad pins while holding down cross spring, then remove cross spring from caliper.



4. Using pliers, remove brake pads and shims from caliper.
CAUTION:
 - Never damage the piston boot.
 - Never drop the brake pads, shims.
 - Remember each position of the removed brake pads.



INSTALLATION

WARNING:

Since dust covering the front brake has an affect on human body, the dust must be removed with a dust collector. Never splatter the dust with an air blow gun.

CAUTION:

- Never depress the brake pedal while removing the brake pads because the piston may pop out.
- Never spill or splash brake fluid on the disc rotor and caliper.

1. Apply copper based brake grease to the mating faces between the brake pads and shims, and install shims to the brake pad.

CAUTION:

Always replace the shims together when replacing the brake pad.

2. Apply copper based brake grease to the mating faces between the brake pads and caliper.
3. Install brake pads to caliper.

CAUTION:

- Never damage the piston boot.
- In the case of replacing a pad with new one, check a brake fluid level in the reservoir tank because brake fluid returns to master cylinder reservoir tank when pressing piston in.

NOTE:

Use a disc brake piston tool to easily press piston.

4. Install upper pad pin from the inner side, then install firmly to the outer side through the hole in the top of brake pad.
5. Place the top of cross spring (1) over the upper pad pin (2), press in the cross spring, install lower pad pin from the inner side to the outer side, and secure cross spring.

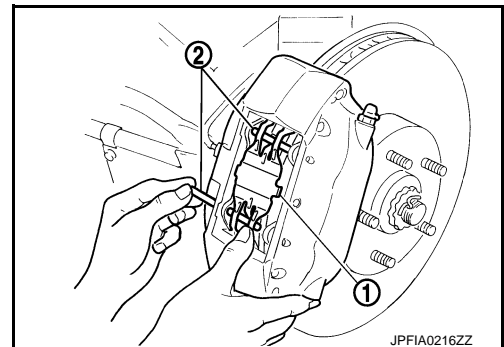
6. Install clips to the pad pins.

CAUTION:

If clip is not fully attached, pad pin or brake pad could fall out while vehicle is in motion.

7. Depress the brake pedal several times to check that no drag feel is present for the front disc brake. Refer to [BR-48, "BRAKE PAD \(4 PISTON TYPE\) : Inspection"](#).

8. Install tires.



A
B
C
D
E
BR
G
H
I
J
K
L
M
N
O
P

FRONT DISC BRAKE

< REMOVAL AND INSTALLATION >

BRAKE PAD (4 PISTON TYPE) : Inspection

INFOID:000000007466409

INSPECTION AFTER REMOVAL

Replace the shims if rust is excessively attached.

INSPECTION AFTER INSTALLATION

1. Check a drag of front disc brake. If any drag is found, follow the procedure described below.
2. Remove brake pads.
3. Press the pistons.

CAUTION:

- Never damage the piston boot.
- When replacing a pad with new one, check a brake fluid level in the reservoir tank because brake fluid returns to master cylinder reservoir tank when pressing piston in.

NOTE:

Use a disc brake piston tool to easily press piston.

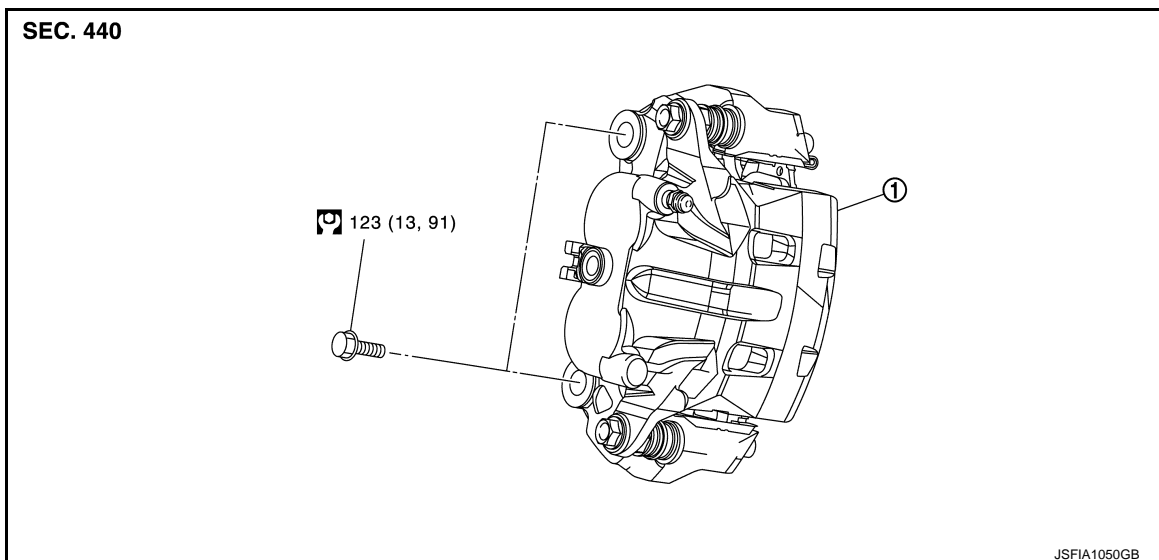
4. Install brake pads.
5. Depress the brake pedal several times.
6. Check a drag of front disc brake again. If any drag is found, disassemble the caliper. Refer to [BR-54, "BRAKE CALIPER ASSEMBLY \(4 PISTON TYPE\) : Disassembly and Assembly"](#)
7. Burnish contact surface brake pads and disc rotor after refinishing or replacing brake pads, or if a soft pedal occurs at very low mileage. Refer to [BR-14, "DISC ROTOR : Inspection and Adjustment"](#).

BRAKE CALIPER ASSEMBLY (2 PISTON TYPE)

BRAKE CALIPER ASSEMBLY (2 PISTON TYPE) : Exploded View

INFOID:000000007466410

REMOVAL



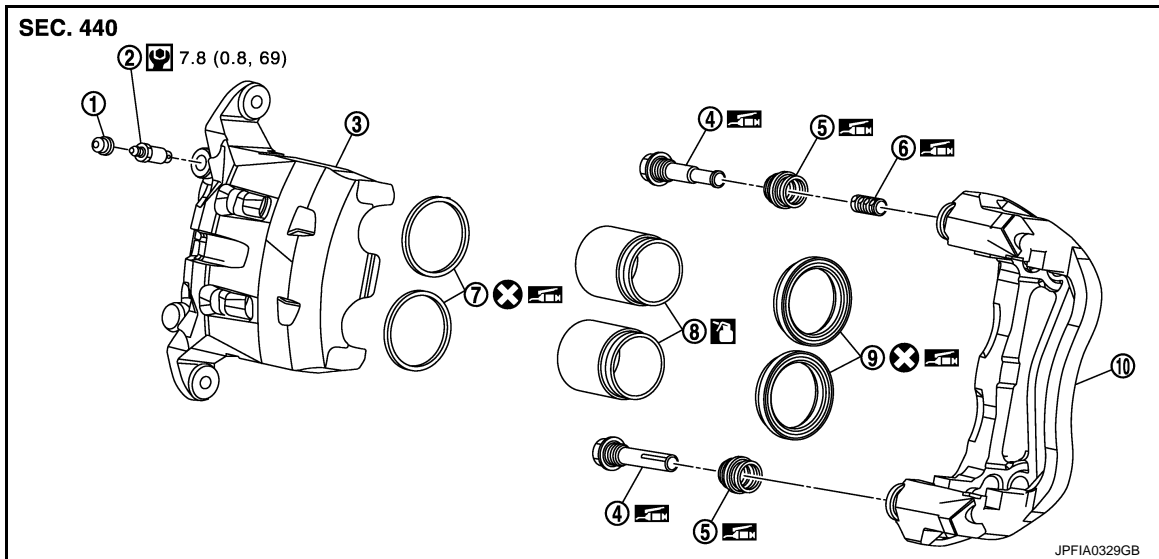
1. Brake caliper assembly

Refer to [GI-4, "Components"](#) for symbols in the figure.

DISASSEMBLY

FRONT DISC BRAKE

< REMOVAL AND INSTALLATION >



- | | | |
|-------------------|---------------------|------------------|
| 1. Cap | 2. Bleeder valve | 3. Cylinder body |
| 4. Sliding pin | 5. Sliding pin boot | 6. Bushing |
| 7. Piston seal | 8. Piston | 9. Piston boot |
| 10. Torque member | | |

: Apply rubber grease.

: Apply brake fluid.

Refer to [GI-4, "Components"](#) for symbols not described on the above.

BRAKE CALIPER ASSEMBLY (2 PISTON TYPE) : Removal and Installation

INFOID:000000007466411

REMOVAL

WARNING:

Since dust covering the front brake has an affect on human body, the dust must be removed with a dust collector. Never splatter the dust with an air blow gun.

CAUTION:

Never depress the brake pedal. Brake fluid may splash while removing the brake hose.

1. Remove tires with power tool.
2. Fix the disc rotor using wheel nuts.
3. Drain brake fluid. Refer to [BR-10, "Draining"](#).

CAUTION:

Never spill or splash brake fluid on the disc rotor.

4. Remove union bolt and copper washer, and disconnect brake hose from caliper assembly. Refer to [BR-20, "FRONT : Exploded View"](#).
5. Remove torque member mounting bolts, and remove brake caliper assembly.
CAUTION:
Never drop brake pads and caliper assembly.
6. Remove disc rotor.
CAUTION:
 - Put matching marks on the wheel hub and bearing assembly and the disc rotor before removing the disc rotor.
 - Never drop disc rotor.

INSTALLATION

WARNING:

Since dust covering the front brake has an affect on human body, the dust must be removed with a dust collector. Never splatter the dust with an air blow gun.

FRONT DISC BRAKE

< REMOVAL AND INSTALLATION >

CAUTION:

Never depress the brake pedal. Brake fluid may splash while removing the brake hose.

1. Install disc rotor.

CAUTION:

Align the matching marks that have been made during removal when reusing the disc rotor.

2. Install the brake caliper assembly to the vehicle and tighten the torque member mounting bolts to the specified torque.

CAUTION:

Never spill or splash any grease and moisture on the brake caliper assembly mounting face, threads, mounting bolts and washers. Wipe out any grease and moisture.

3. Install brake hose and copper washers to brake caliper assembly, and tighten union bolts to the specified torque. Refer to [BR-20, "FRONT : Exploded View"](#).

CAUTION:

Never reuse copper washer.

4. Refill with new brake fluid and perform the air bleeding. Refer to [BR-11, "Bleeding Brake System"](#).

CAUTION:

- Never reuse drained brake fluid.
- Never spill or splash brake fluid on the disc rotor.

5. Check a drag of front disc brake. If any drag is found, refer to [BR-51, "BRAKE CALIPER ASSEMBLY \(2 PISTON TYPE\) : Inspection"](#).

6. Install tires.

BRAKE CALIPER ASSEMBLY (2 PISTON TYPE) : Disassembly and Assembly

INFOID:000000007466412

DISASSEMBLY

NOTE:

Never remove torque member and pad retainers when disassembling and assembling the cylinder body.

1. Remove sliding pin bolt, and remove the cylinder body from the torque member. Refer to [BR-44, "BRAKE PAD \(2 PISTON TYPE\) : Exploded View"](#).

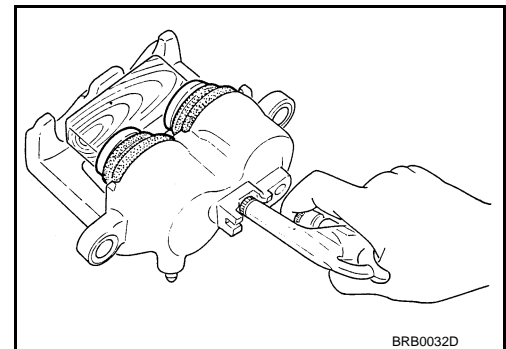
CAUTION:

Never drop brake pads, shims, shim covers and pad retainers from torque member.

2. Remove brake pads, shims and shim covers. Refer to [BR-44, "BRAKE PAD \(2 PISTON TYPE\) : Exploded View"](#).
3. Remove sliding pins and sliding pin boots from torque member.
4. Remove bushing from sliding pin.
5. Place a wooden block as shown in the figure, and blow air from union bolt mounting hole to remove pistons and piston boots.

CAUTION:

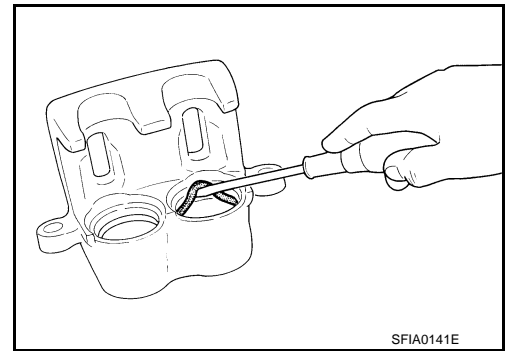
Never get fingers caught in the pistons.



FRONT DISC BRAKE

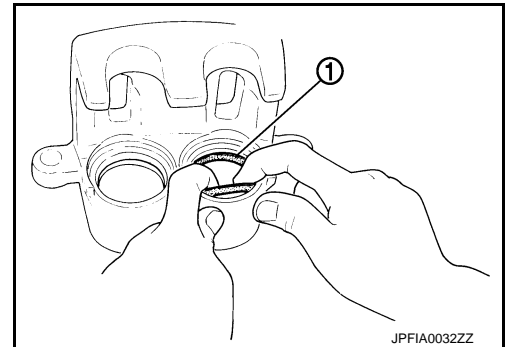
< REMOVAL AND INSTALLATION >

- Remove piston seal from cylinder body using suitable tool.
CAUTION:
Be careful not to damage a cylinder inner wall.
- Remove bleeder valve and cap.

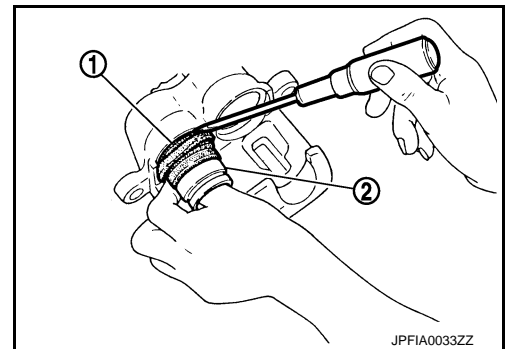


ASSEMBLY

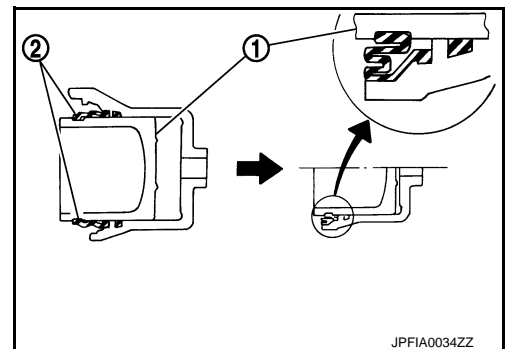
- Install bleeder valve and cap.
- Apply rubber grease to piston seals (1), and install them to cylinder body.
CAUTION:
Never reuse piston seals.



- Apply rubber grease to piston boots (1). Cover the piston (2) end with piston boot, and then install cylinder side lip on piston boot securely into a groove on cylinder body.
CAUTION:
Never reuse piston boots.



- Apply brake fluid to pistons (1). Push piston into cylinder body by hand and push piston boot (2) piston-side lip into the piston groove.
CAUTION:
Press the pistons evenly and vary the pressing point to prevent cylinder inner wall from being rubbed.



- Apply rubber grease to bushing, and install bushing to sliding pin.
- Apply rubber grease to sliding pins and sliding boots, and install sliding pins and sliding pin boots to torque member.
- Install brake pads, shims and shim covers. Refer to [BR-44, "BRAKE PAD \(2 PISTON TYPE\) : Exploded View"](#).
- Install the cylinder body to the torque member and tighten the sliding pin bolts to the specified torque. Refer to [BR-44, "BRAKE PAD \(2 PISTON TYPE\) : Exploded View"](#).

BRAKE CALIPER ASSEMBLY (2 PISTON TYPE) : Inspection

INFOID:000000007466413

INSPECTION AFTER DISASSEMBLY

Cylinder Body

FRONT DISC BRAKE

< REMOVAL AND INSTALLATION >

Check the inner wall of the cylinder for rust, wear, cracks or damage. Replace the cylinder if any abnormal condition is detected.

CAUTION:

Always clean with new brake fluid. Never clean with mineral oil such as gasoline and light oil.

Torque Member

Check the torque member for rust, wear, cracks or damage. Replace the torque member if any abnormal condition is detected.

Pistons

Check the surface of the piston for rust, wear, cracks or damage. Replace the piston if any abnormal condition is detected.

CAUTION:

A piston sliding surface is plated. Never polish with sandpaper.

Sliding Pin and Sliding Pin Boot

Check the sliding pins and sliding boots for rust, wear, cracks or damage. Replace the parts if any abnormal condition is detected.

INSPECTION AFTER INSTALLATION

1. Check a drag of front disc brake. If any drag is found, follow the procedure described below.
2. Remove brake pads. Refer to [BR-44, "BRAKE PAD \(2 PISTON TYPE\) : Exploded View"](#).
3. Press the pistons.

CAUTION:

- **Never damage the piston boot.**
- **When replacing a pad with new one, check a brake fluid level in the reservoir tank because brake fluid returns to master cylinder reservoir tank when pressing piston in.**

NOTE:

Use a disc brake piston tool to easily press piston.

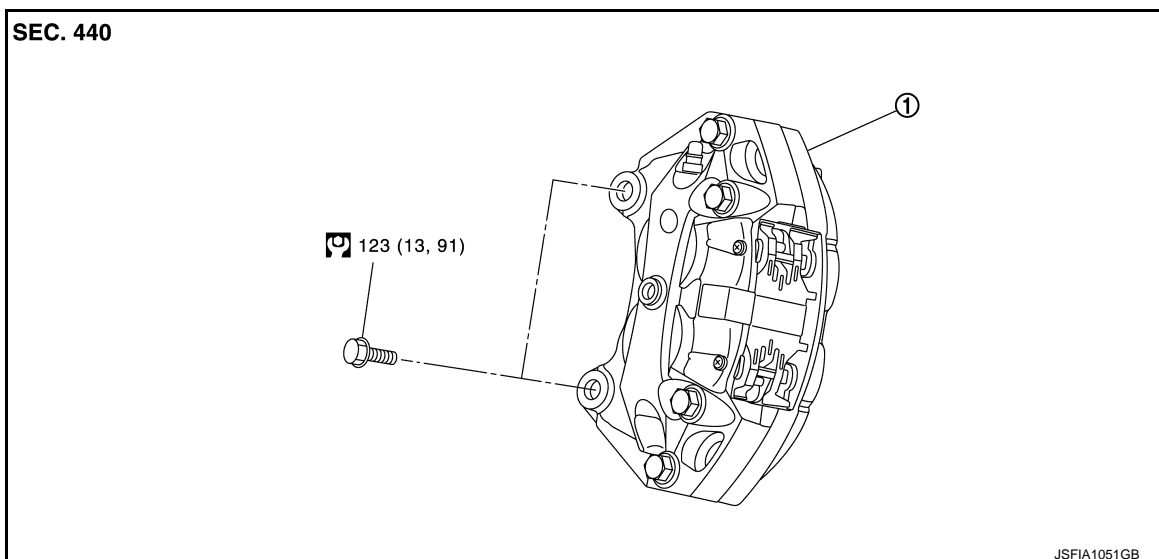
4. Install brake pads. Refer to [BR-44, "BRAKE PAD \(2 PISTON TYPE\) : Exploded View"](#).
5. Depress the brake pedal several times.
6. Check a drag of front disc brake again. If any drag is found, disassemble the cylinder body. Refer to [BR-50, "BRAKE CALIPER ASSEMBLY \(2 PISTON TYPE\) : Disassembly and Assembly"](#).
7. Burnish contact surface between disc rotor and brake pads after refinishing or replacing disc rotor, or if a soft pedal occurs at very low mileage. Refer to [BR-14, "DISC ROTOR : Inspection and Adjustment"](#).

BRAKE CALIPER ASSEMBLY (4 PISTON TYPE)

BRAKE CALIPER ASSEMBLY (4 PISTON TYPE) : Exploded View

INFOID:000000007466414

REMOVAL



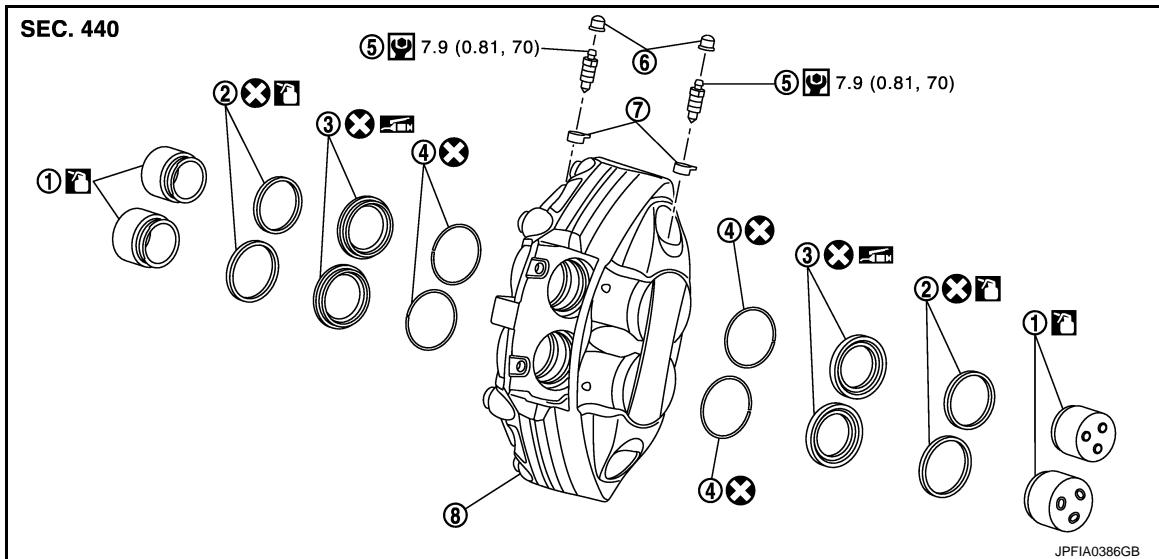
FRONT DISC BRAKE

< REMOVAL AND INSTALLATION >

1. Caliper

Refer to [GI-4, "Components"](#) for symbols in the figure.

DISASSEMBLY



- | | | |
|-------------------|------------------|----------------|
| 1. Piston | 2. Piston seal | 3. Piston boot |
| 4. Retaining ring | 5. Bleeder Valve | 6. Cap |
| 7. Cap | 8. Caliper | |

: Apply rubber grease.

: Apply brake fluid.

Refer to [GI-4, "Components"](#) for symbols not described on the above.

BRAKE CALIPER ASSEMBLY (4 PISTON TYPE) : Removal and Installation

INFOID:000000007466415

REMOVAL

WARNING:

Since dust covering the front brake has an affect on human body, the dust must be removed with a dust collector. Never splatter the dust with an air blow gun.

CAUTION:

Never depress the brake pedal. Brake fluid may splash while removing the brake hose and brake tube.

1. Remove tires with power tool.
2. Fix the disc rotor using wheel nuts.
3. Drain brake fluid. Refer to [BR-10, "Draining"](#).
CAUTION:
Never spill or splash brake fluid on the disc rotor and caliper.
4. Loosen the flare nut with a flare nut wrench and separate the brake tube from caliper. Refer to [BR-20, "FRONT : Exploded View"](#).
CAUTION:
 - Cover flare nut wrench with a cloth as not to damage the caliper.
 - Never scratch the flare nut and the brake tube.
 - Never bend sharply, twist or strongly pull out the brake tube.
 - Cover open end of brake tube when disconnecting to prevent entrance of dirt.
5. Remove caliper mounting bolts, and remove caliper.
CAUTION:
Never drop brake pad and caliper.
6. Remove disc rotor.

FRONT DISC BRAKE

< REMOVAL AND INSTALLATION >

CAUTION:

- Put matching marks on the wheel hub and bearing assembly and the disc rotor before removing the disc rotor.
- Never drop disc rotor.

INSTALLATION

WARNING:

Since dust covering the front brake has an affect on human body, the dust must be removed with a dust collector. Never splatter the dust with an air blow gun.

CAUTION:

Never depress the brake pedal. Brake fluid may splash while removing the brake hose and brake tube.

1. Install disc rotor.

CAUTION:

Align the matching marks that have been made during removal when reusing the disc rotor.

2. Install the brake caliper to the vehicle and tighten the caliper mounting bolts to the specified torque.

CAUTION:

Never spill or splash any grease and moisture on the caliper mounting face, threads, mounting bolts and washers. Wipe out any grease and moisture.

3. Tighten the flare nut to the specified torque with a crowfoot and torque wrench.

CAUTION:

- Cover crowfoot with a cloth as not to damage the caliper.
- Never scratch the flare nut and the brake tube.

4. Refill with new brake fluid and perform the air bleeding. Refer to [BR-11, "Bleeding Brake System"](#).

CAUTION:

- Never reuse drained brake fluid.
- Never spill or splash brake fluid on the disc rotor and caliper.

5. Check a drag of front disc brake. If any drag is found, refer to [BR-55, "BRAKE CALIPER ASSEMBLY \(4 PISTON TYPE\) : Inspection"](#).

6. Install tires.

BRAKE CALIPER ASSEMBLY (4 PISTON TYPE) : Disassembly and Assembly

INFOID:000000007466416

DISASSEMBLY

1. Remove brake pads. Refer to [BR-46, "BRAKE PAD \(4 PISTON TYPE\) : Exploded View"](#).

CAUTION:

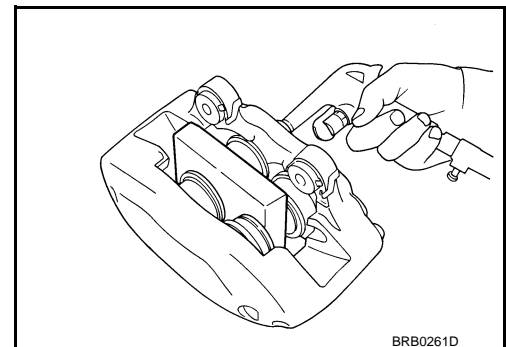
Never drop brake pads, shims, pad pins and clips.

2. Remove caliper assembly. Refer to [BR-52, "BRAKE CALIPER ASSEMBLY \(4 PISTON TYPE\) : Exploded View"](#).

3. Place a wooden block as shown in the figure, and blow air from brake tube mounting hole to remove pistons and piston boots and retaining rings.

CAUTION:

Never get fingers caught in the pistons.



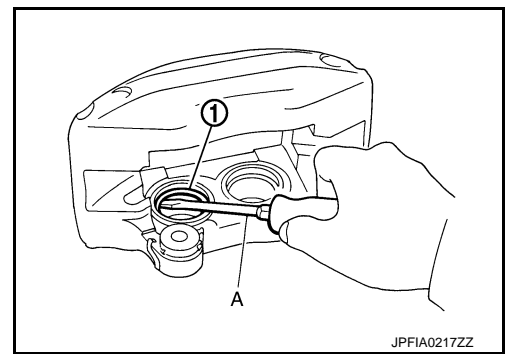
FRONT DISC BRAKE

< REMOVAL AND INSTALLATION >

4. Remove piston seal (1) from caliper using suitable tool (A).

CAUTION:

Be careful not to damage a caliper inner wall.

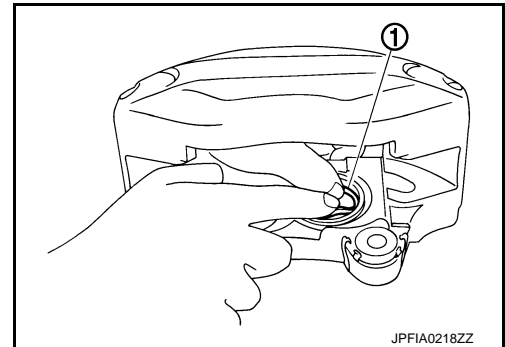


ASSEMBLY

1. Apply brake fluid to piston seals (1), and install them to caliper.

CAUTION:

Never reuse piston seals.



2. Apply rubber grease to piston boots (1). Cover the piston (2) end with piston boots, and then install caliper side lip on piston boot securely into a groove on caliper.

CAUTION:

Never reuse piston boots.

3. Apply brake fluid to piston. Push piston into caliper by hand and push piston boot piston-side lip into the piston groove.

CAUTION:

Press the piston evenly and vary the pressing point to prevent caliper inner wall from being rubbed.

4. Secure piston boot with retaining ring.

CAUTION:

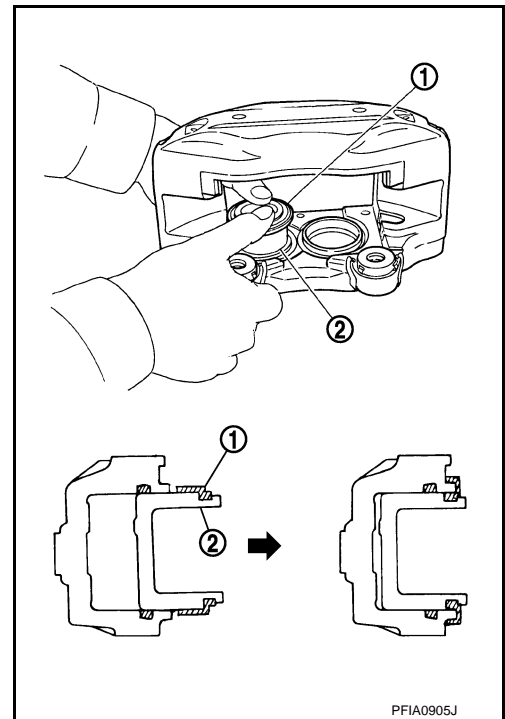
- Make sure that boot is securely engaged in the groove on caliper.
- Never reuse retaining ring.

5. Install the caliper to tighten the caliper mounting bolts to the specified torque.

6. Install brake pads. Refer to [BR-46. "BRAKE PAD \(4 PISTON TYPE\) : Exploded View"](#).

CAUTION:

Never drop brake pads, shims, pad pins and clips.



BRAKE CALIPER ASSEMBLY (4 PISTON TYPE) : Inspection

INFOID:000000007466417

INSPECTION AFTER DISASSEMBLY

Caliper

Check the inner wall of the caliper for rust, wear, cracks or damage. Replace the caliper if any abnormal condition is detected.

CAUTION:

Always clean with new brake fluid. Never clean with mineral oil such as gasoline and light oil.

Pistons

FRONT DISC BRAKE

< REMOVAL AND INSTALLATION >

Check the surface of the piston for rust, wear, cracks or damage. Replace the piston if any abnormal condition is detected.

CAUTION:

A piston sliding surface is plated. Never polish with sandpaper.

INSPECTION AFTER INSTALLATION

1. Check a drag of front disc brake. If any drag is found, follow the procedure described below.
2. Remove brake pads. Refer to [BR-46, "BRAKE PAD \(4 PISTON TYPE\) : Exploded View"](#).
3. Press the pistons.

CAUTION:

- **Never damage the piston boot.**
- **When replacing a pad with new one, check a brake fluid level in the reservoir tank because brake fluid returns to master cylinder reservoir tank when pressing piston in.**

NOTE:

Use a disc brake piston tool to easily press piston.

4. Install brake pads. Refer to [BR-46, "BRAKE PAD \(4 PISTON TYPE\) : Exploded View"](#).
5. Depress the brake pedal several times.
6. Check a drag of front disc brake again. If any drag is found, disassemble the caliper. Refer to [BR-54, "BRAKE CALIPER ASSEMBLY \(4 PISTON TYPE\) : Disassembly and Assembly"](#).
7. Burnish contact surface between disc rotor and brake pads after refinishing or replacing disc rotor, or if a soft pedal occurs at very low mileage. Refer to [BR-14, "DISC ROTOR : Inspection and Adjustment"](#).

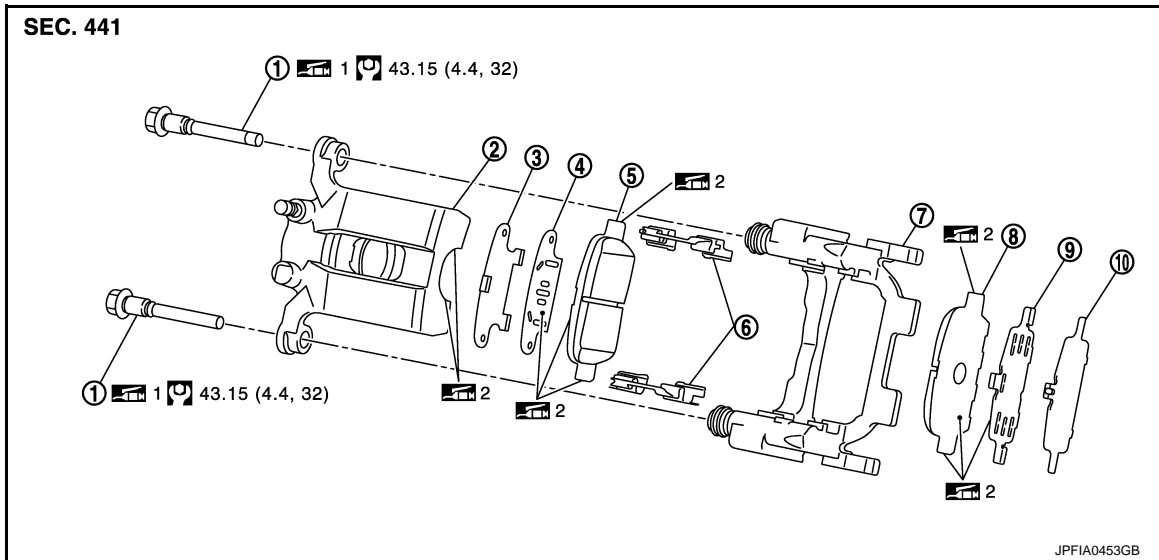
REAR DISC BRAKE

< REMOVAL AND INSTALLATION >

REAR DISC BRAKE BRAKE PAD (1 PISTON TYPE)

BRAKE PAD (1 PISTON TYPE) : Exploded View

INFOID:000000007466418



- | | | |
|----------------------|-------------------------------------|---------------------|
| 1. Sliding pin bolt | 2. Cylinder body | 3. Inner shim cover |
| 4. Inner shim | 5. Inner pad (with pad wear sensor) | 6. Pad retainer |
| 7. Torque member | 8. Outer pad | 9. Outer shim |
| 10. Outer shim cover | | |

1: Apply rubber grease.

2: Apply PBC (Poly Butyl Cuprysil) grease or silicone-based grease.

Refer to [GI-4, "Components"](#) for symbols not described on the above.

BRAKE PAD (1 PISTON TYPE) : Removal and Installation

INFOID:000000007466419

REMOVAL

WARNING:

Since dust covering the rear brake has an affect on human body, the dust must be removed with a dust collector. Never splatter the dust with an air blow gun.

CAUTION:

- Never depress the brake pedal while removing the brake pads or the cylinder body because the piston may pop out.
- Never spill or splash brake fluid on the disc rotor.

1. Remove tires with power tool.
2. Remove the upper sliding pin bolt.
3. Suspend the cylinder body with suitable wire so that the brake hose will not stretch. Remove the brake pads, shims, shim covers and pad retainers from the torque member.

CAUTION:

- Never deform the pad retainers if removing the pad retainers.
- Never damage the piston boot.
- Never drop the brake pad, shims, and the shim covers.
- Remember each position of the removed brake pads.

INSTALLATION

WARNING:

Since dust covering the rear brake has an affect on human body, the dust must be removed with a dust collector. Never splatter the dust with an air blow gun.

REAR DISC BRAKE

< REMOVAL AND INSTALLATION >

CAUTION:

- Never depress the brake pedal while removing the brake pads or the cylinder body because the piston may pop out.
- Never spill or splash brake fluid on the disc rotor.

1. Apply PBC (Poly Butyl Cuprysil) grease or silicone-based grease to the pad retainers before installing it to the torque member if the pad retainers has been removed.

CAUTION:

- Securely assemble the pad retainers so that it will not be lifted up from the torque member.
- Never deform the pad retainers.

2. Apply PBC (Poly Butyl Cuprysil) grease or silicone-based grease to the mating faces between the brake pads and shims, and install shims and shim covers to brake pads.

CAUTION:

Always replace the shims together with the shim covers when replacing the brake pad.

3. Apply PBC (Poly Butyl Cuprysil) grease or silicone-based grease to the mating faces between the brake pads and pad retainers and install brake pads to torque member.
4. Apply copper based brake grease to the pawls part of cylinder body, and install them to the cylinder body to torque member.

CAUTION:

- Never damage the piston boot.
- When replacing brake pads with new one, check a brake fluid level in the reservoir tank because brake fluid returns to master cylinder reservoir tank when pressing piston in.

NOTE:

Use a disc brake piston tool to easily press piston.

5. Install the upper sliding pin bolt and tighten it to the specified torque.
6. Depress the brake pedal several times to check that no drag feel is present for the rear disc brake. Refer to [BR-58. "BRAKE PAD \(1 PISTON TYPE\) : Inspection"](#).
7. Install tires.

BRAKE PAD (1 PISTON TYPE) : Inspection

INFOID:000000007466420

INSPECTION AFTER REMOVAL

Replace the shims and the shim covers if rust is excessively attached.

INSPECTION AFTER INSTALLATION

1. Check a drag of rear disc brake. If any drag is found, follow the procedure described below.
2. Remove brake pads.
3. Press the piston.

CAUTION:

- Never damage the piston boot.
- When replacing a pad with new one, check a brake fluid level in the reservoir tank because brake fluid returns to master cylinder reservoir tank when pressing piston in.

NOTE:

Use a disc brake piston tool to easily press piston.

4. Install brake pads.
5. Depress the brake pedal several times.
6. Check a drag of rear disc brake again. If any drag is found, disassemble the cylinder body. Refer to [BR-63. "BRAKE CALIPER ASSEMBLY \(1 PISTON TYPE\) : Disassembly and Assembly"](#).
7. Burnish contact surface brake pads and disc rotor after refinishing or replacing brake pads, or if a soft pedal occurs at very low mileage. Refer to [BR-16. "BRAKE PAD : Inspection and Adjustment"](#).

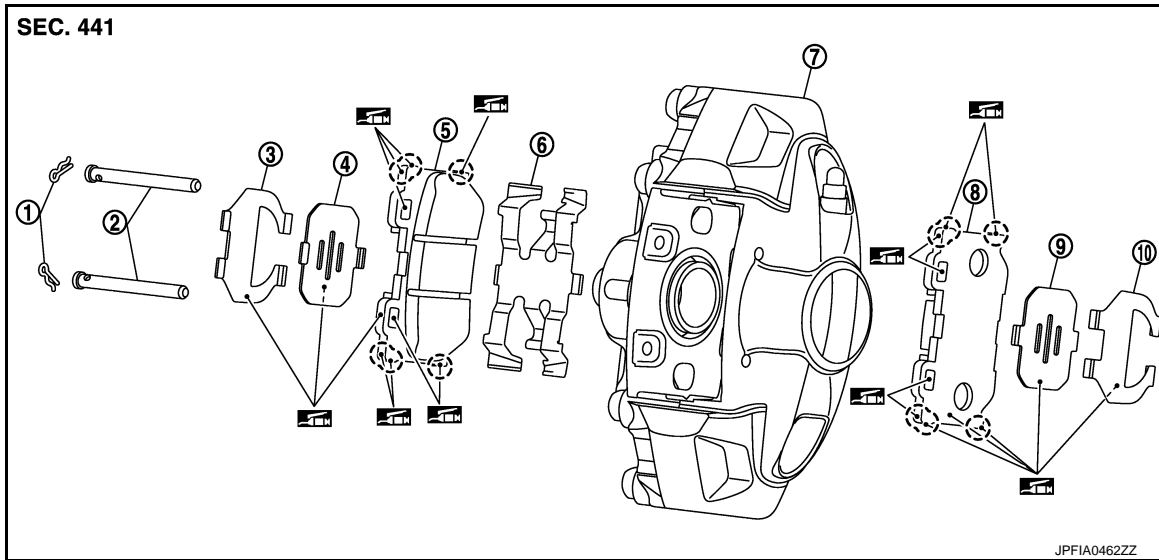
BRAKE PAD (2 PISTON TYPE)

REAR DISC BRAKE


< REMOVAL AND INSTALLATION >

BRAKE PAD (2 PISTON TYPE) : Exploded View

INFOID:000000007466421



- | | | |
|----------------------|-------------------------------------|---------------------|
| 1. Clip | 2. Pad pin | 3. Inner shim cover |
| 4. Inner shim | 5. Inner pad (with pad wear sensor) | 6. Cross spring |
| 7. Caliper | 8. Outer pad | 9. Outer shim |
| 10. Outer shim cover | | |

 Apply copper based brake grease.

Refer to [GI-4, "Components"](#) for symbols not described on the above.

BRAKE PAD (2 PISTON TYPE) : Removal and Installation

INFOID:000000007466422

REMOVAL

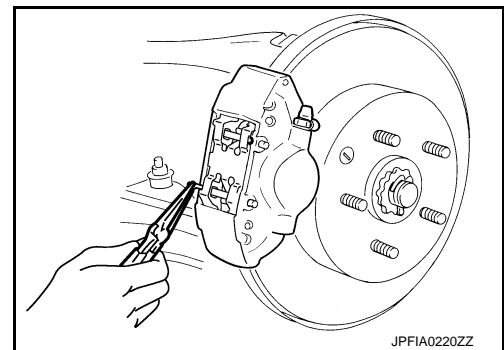
WARNING:

Since dust covering the rear brake has an affect on human body, the dust must be removed with a dust collector. Never splatter the dust with an air blow gun.

CAUTION:

- Never depress the brake pedal while removing the brake pads or the caliper because the piston may pop out.
- Never spill or splash brake fluid on the disc rotor and caliper.

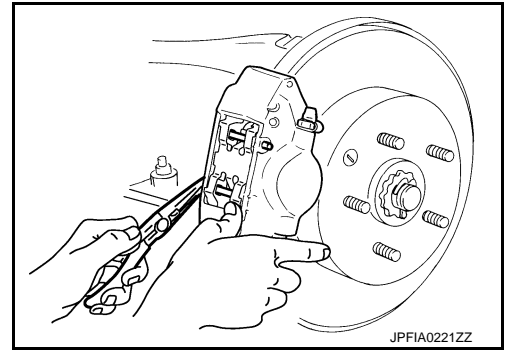
1. Remove tires with power tool.
2. Remove clips from pad pins.



REAR DISC BRAKE

< REMOVAL AND INSTALLATION >

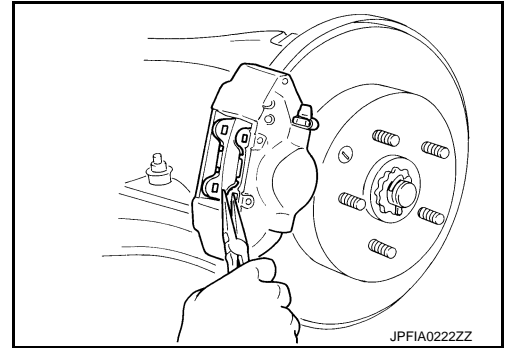
3. Remove pad pins while holding down cross spring, then remove cross spring from caliper.



4. Using pliers, remove brake pads, shims and shim covers from caliper.

CAUTION:

- Never damage the piston boot.
- Never drop the brake pad, shims, and the shim cover.
- Remember each position of the removed brake pads.



INSTALLATION

WARNING:

Since dust covering the rear brake has an affect on human body, the dust must be removed with a dust collector. Never splatter the dust with an air blow gun.

CAUTION:

- Never depress the brake pedal while removing the brake pads because the piston may pop out.
- Never spill or splash brake fluid on the disc rotor and caliper.

1. Apply copper based brake grease to the mating faces between the brake pads, shims and shim cover, and install shims and shim cover to the brake pad.

CAUTION:

Always replace the shims together when replacing the brake pad.

2. Apply copper based brake grease to the mating faces between the brake pads and caliper.
3. Apply copper based brake grease to the mating faces between the brake pads and pad pins.
4. Apply copper based brake grease to the mating faces between the brake pads and cross spring.
5. Install brake pads to caliper.

CAUTION:

- Never damage the piston boot.
- In the case of replacing a pad with new one, check a brake fluid level in the reservoir tank because brake fluid returns to master cylinder reservoir tank when pressing piston in.

NOTE:

Use a disc brake piston tool to easily press piston.

6. Install upper pad pin from the inner side, then install firmly to the outer side through the hole in the top of brake pad.
7. Place the top of cross spring over the upper pad pin, press in the cross spring, install lower pad pin from the inner side to the outer side, and secure cross spring.

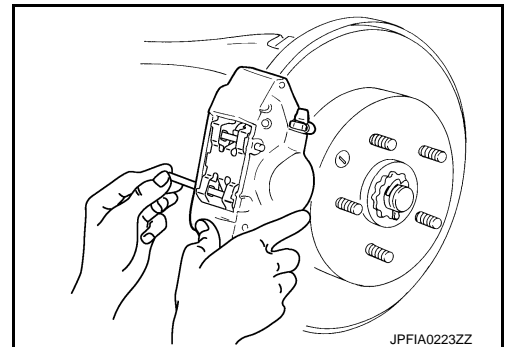
8. Install clips to the pad pins.

CAUTION:

If clip is not fully attached, pad pin or brake pad could fall out while vehicle is in motion.

9. Depress the brake pedal several times to check that no drag feel is present for the rear disc brake. Refer to [BR-61. "BRAKE PAD \(2 PISTON TYPE\) : Inspection"](#).

10. Install tires.



REAR DISC BRAKE

< REMOVAL AND INSTALLATION >

BRAKE PAD (2 PISTON TYPE) : Inspection

INFOID:000000007466423

INSPECTION AFTER REMOVAL

Replace the shims and shim covers if rust is excessively attached.

INSPECTION AFTER INSTALLATION

1. Check a drag of rear disc brake. If any drag is found, follow the procedure described below.
2. Remove brake pads.
3. Press the pistons.

CAUTION:

- Never damage the piston boot.
- When replacing a pad with new one, check a brake fluid level in the reservoir tank because brake fluid returns to master cylinder reservoir tank when pressing piston in.

NOTE:

Use a disc brake piston tool to easily press piston.

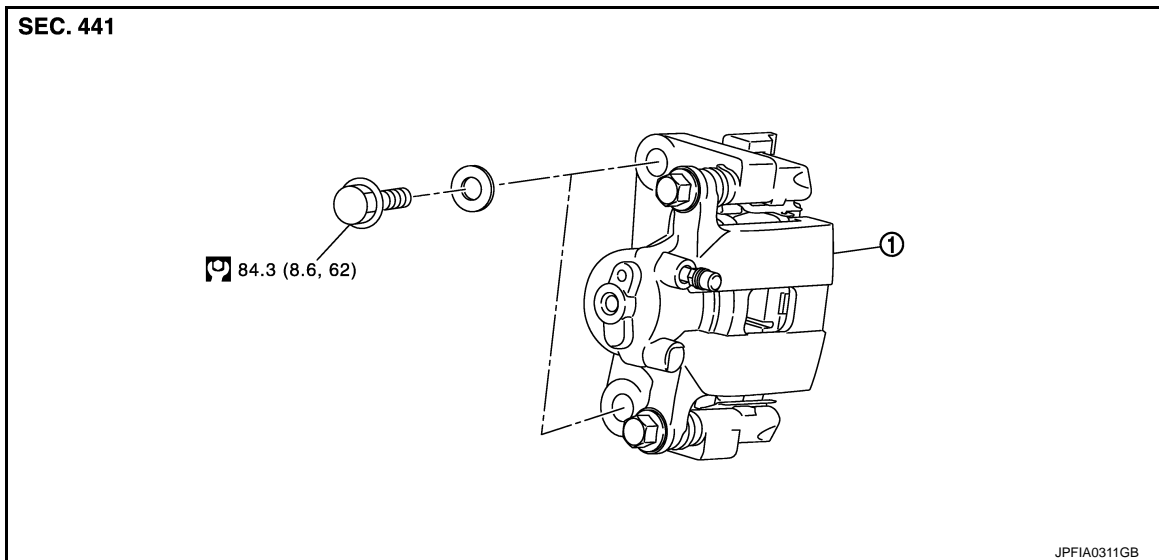
4. Install brake pads.
5. Depress the brake pedal several times.
6. Check a drag of rear disc brake again. If any drag is found, disassemble the caliper. Refer to [BR-67, "BRAKE CALIPER ASSEMBLY \(2 PISTON TYPE\) : Disassembly and Assembly"](#).
7. Burnish contact surface brake pads and disc rotor after refinishing or replacing brake pads, or if a soft pedal occurs at very low mileage. Refer to [BR-16, "BRAKE PAD : Inspection and Adjustment"](#).

BRAKE CALIPER ASSEMBLY (1 PISTON TYPE)

BRAKE CALIPER ASSEMBLY (1 PISTON TYPE) : Exploded View

INFOID:000000007466424

REMOVAL



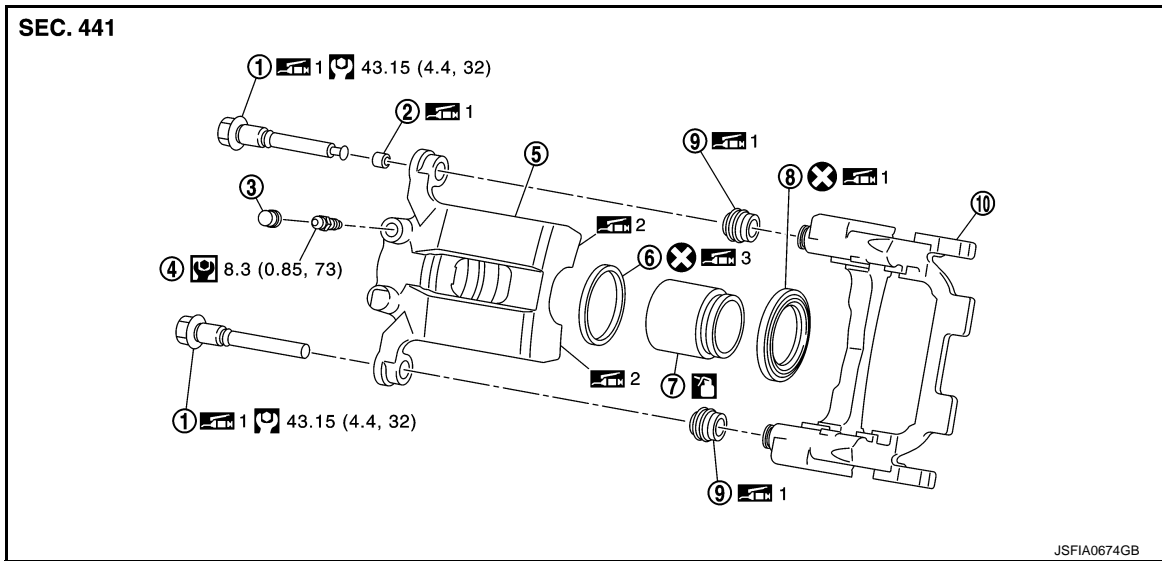
1. Brake caliper assembly

Refer to [GI-4, "Components"](#) for symbols not described on the above.


DISASSEMBLY

REAR DISC BRAKE


< REMOVAL AND INSTALLATION >



- | | | |
|---------------------|------------------|---------------------|
| 1. Sliding pin bolt | 2. Bushing | 3. Cap |
| 4. Bleeder valve | 5. Cylinder body | 6. Piston seal |
| 7. Piston | 8. Piston boot | 9. Sliding pin bolt |
| 10. Torque member | | |

 1: Apply rubber grease.

 2: Apply PBC (Poly Butyl Cuprysil) grease or silicone-based grease.

: Apply brake fluid.

Refer to [GI-4, "Components"](#) for symbols not described on the above.

BRAKE CALIPER ASSEMBLY (1 PISTON TYPE) : Removal and Installation

INFOID:000000007466425

REMOVAL

WARNING:

Since dust covering the rear brake has an affect on human body, the dust must be removed with a dust collector. Never splatter the dust with an air blow gun.

CAUTION:

Never depress the brake pedal. Brake fluid may splash while removing the brake hose.

1. Remove tires with power tool.
2. Fix the disc rotor using wheel nuts.
3. Drain brake fluid. Refer to [BR-10, "Draining"](#).
CAUTION:
Never spill or splash brake fluid on the disc rotor.
4. Remove union bolt and copper washers, and disconnect brake hose from caliper assembly. Refer to [BR-28, "REAR : Exploded View"](#).
5. Remove torque member mounting bolts, and remove brake caliper assembly.
CAUTION:
Never drop brake pads and caliper assembly.
6. Remove disc rotor.
CAUTION:
 - Put matching marks on the wheel hub and bearing assembly and the disc rotor before removing the disc rotor.
 - Never drop disc rotor.

INSTALLATION

WARNING:

REAR DISC BRAKE

< REMOVAL AND INSTALLATION >

Since dust covering the rear brake has an affect on human body, the dust must be removed with a dust collector. Never splatter the dust with an air blow gun.

CAUTION:

Never depress the brake pedal. Brake fluid may splash while removing the brake hose.

1. Install disc rotor.

CAUTION:

Align the matching marks that have been made during removal when reusing the disc rotor.

2. Install the brake caliper assembly to the vehicle and tighten the torque member mounting bolts to the specified torque.

CAUTION:

Never spill or splash any grease and moisture on the brake caliper assembly mounting face, threads, mounting bolts, and washers. Wipe out any grease and moisture.

3. Install brake hose and copper washers to brake caliper assembly, and tighten union bolts to the specified torque. Refer to [BR-28, "REAR : Exploded View"](#).

4. Refill with new brake fluid and perform the air bleeding. Refer to [BR-11, "Bleeding Brake System"](#).

CAUTION:

- Never reuse drained brake fluid.
- Never spill or splash brake fluid on the disc rotor.

5. Check a drag of rear disc brake. If any drag is found, refer to [BR-64, "BRAKE CALIPER ASSEMBLY \(1 PISTON TYPE\) : Inspection"](#).

6. Install tires.

BRAKE CALIPER ASSEMBLY (1 PISTON TYPE) : Disassembly and Assembly

INFOID:000000007466426

DISASSEMBLY

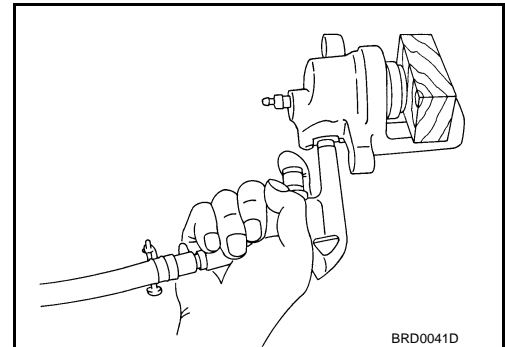
NOTE:

Never remove torque member and pad retainers when disassembling and assembling the cylinder body.

1. Remove sliding pin bolts and remove the cylinder body from the torque member.
2. Remove brake pads, shims and shim cover. Refer to [BR-57, "BRAKE PAD \(1 PISTON TYPE\) : Exploded View"](#).
3. Remove sliding pin boots from torque member.
4. Remove bushing from sliding pin bolt.
5. Place a wooden block as shown in the figure, and blow air from union bolt mounting hole to remove piston and piston boot.

CAUTION:

Never get fingers caught in the piston.

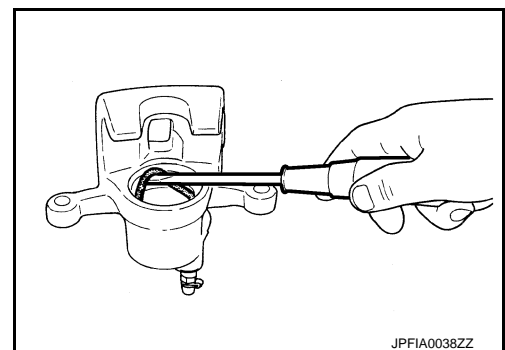


6. Remove piston seal from cylinder body using suitable tool.

CAUTION:

Be careful not to damage a cylinder inner wall.

7. Remove bleeder valve and cap.



ASSEMBLY

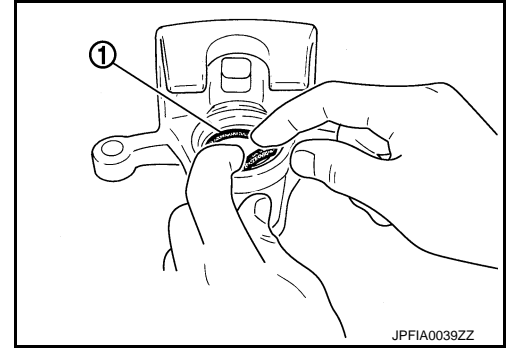
REAR DISC BRAKE

< REMOVAL AND INSTALLATION >

1. Install bleeder valve and cap.
2. Apply rubber grease to piston seal (1), and install them to cylinder body.

CAUTION:

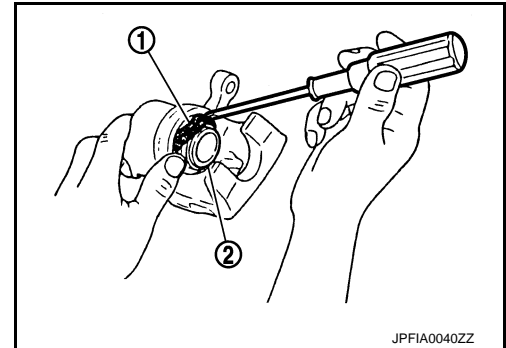
Never reuse piston seal.



3. Apply rubber grease to piston boot (1). Cover the piston (2) end with the piston boot, and then install cylinder side lip on the piston boot securely into the groove on cylinder body.

CAUTION:

Never reuse piston boot.

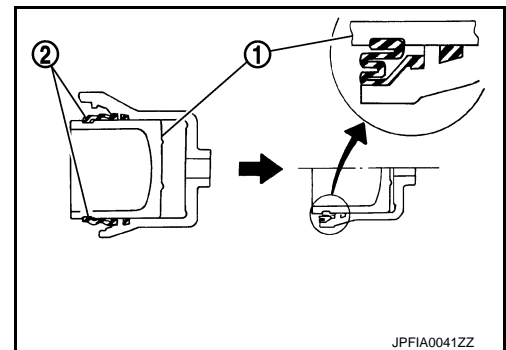


4. Apply brake fluid to piston (1). Push piston into cylinder body by hand and push piston boot (2) piston side lip into the piston groove.

CAUTION:

Press the piston evenly and vary the pressing point to prevent cylinder inner wall from being rubbed.

5. Apply rubber grease to bushing, and install bushing to sliding pin bolt.
6. Apply rubber grease to sliding pin boots, and install sliding pin boot to torque member.
7. Install brake pads, shims and shim cover. Refer to [BR-57, "BRAKE PAD \(1 PISTON TYPE\) : Exploded View"](#).
8. Apply rubber grease to sliding pin bolts, and install the cylinder body to the torque member and tighten the sliding pin bolts to the specified torque.



BRAKE CALIPER ASSEMBLY (1 PISTON TYPE) : Inspection

INFOID:000000007466427

INSPECTION AFTER DISASSEMBLY

Cylinder Body

Check the inner wall of the cylinder for rust, wear, cracks or damage. Replace the cylinder if any abnormal condition is detected.

CAUTION:

Always clean with new brake fluid. Never clean with mineral oil such as gasoline and light oil.

Torque Member

Check the torque member for rust, wear, cracks or damage. Replace the member if any abnormal condition is detected.

Piston

Check the piston for rust, wear, cracks or damage. Replace the piston if any abnormal condition is detected.

CAUTION:

A piston sliding surface is plated. Never polish with sandpaper.

Sliding Pin Bolt and Sliding Pin Boot

REAR DISC BRAKE

< REMOVAL AND INSTALLATION >

Check the sliding pin bolts and sliding pin boots for rust, wear, cracks or damage. Replace the parts if any abnormal condition is detected.

INSPECTION AFTER INSTALLATION

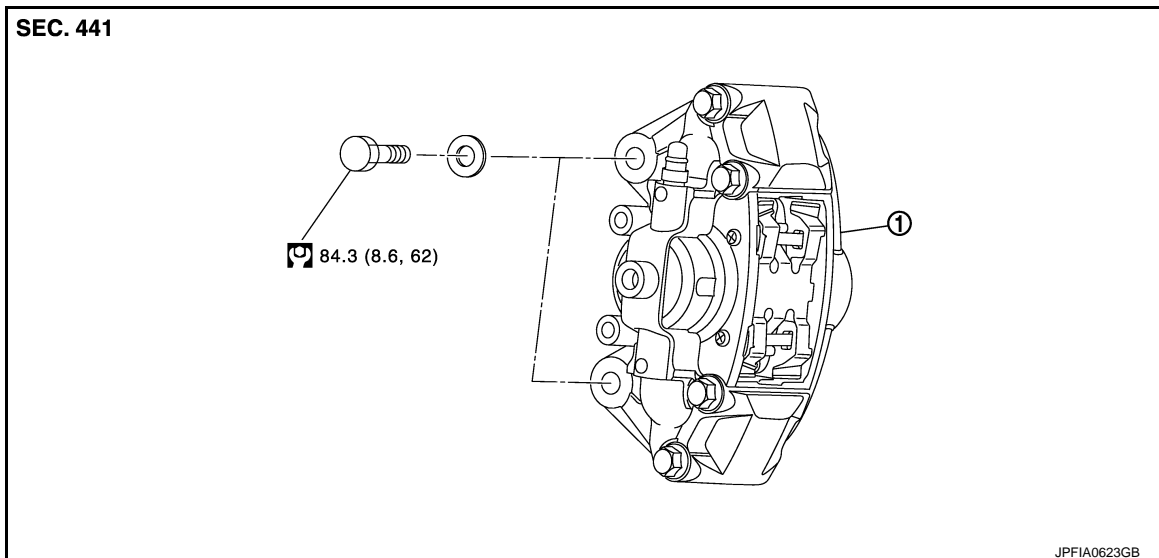
1. Check a drag of rear disc brake. If any drag is found, follow the procedure described below.
2. Remove brake pads. Refer to [BR-57, "BRAKE PAD \(1 PISTON TYPE\) : Exploded View"](#).
3. Press the piston.
CAUTION:
 - Never damage the piston boot.
 - When replacing a pad with new one, check a brake fluid level in the reservoir tank because brake fluid returns to master cylinder reservoir tank when pressing piston in.**NOTE:**
Use a disc brake piston tool to easily press piston.
4. Install brake pads. Refer to [BR-57, "BRAKE PAD \(1 PISTON TYPE\) : Exploded View"](#).
5. Depress the brake pedal several times.
6. Check a drag of rear disc brake again. If any drag is found, disassemble the cylinder body. Refer to [BR-63, "BRAKE CALIPER ASSEMBLY \(1 PISTON TYPE\) : Disassembly and Assembly"](#).
7. Burnish contact surface disc rotor and brake pads after refinishing or replacing disc rotor, or if a soft pedal occurs at very low mileage. Refer to [BR-16, "DISC ROTOR : Inspection and Adjustment"](#).

BRAKE CALIPER ASSEMBLY (2 PISTON TYPE)

BRAKE CALIPER ASSEMBLY (2 PISTON TYPE) : Exploded View

INFOID:000000007466428

REMOVAL

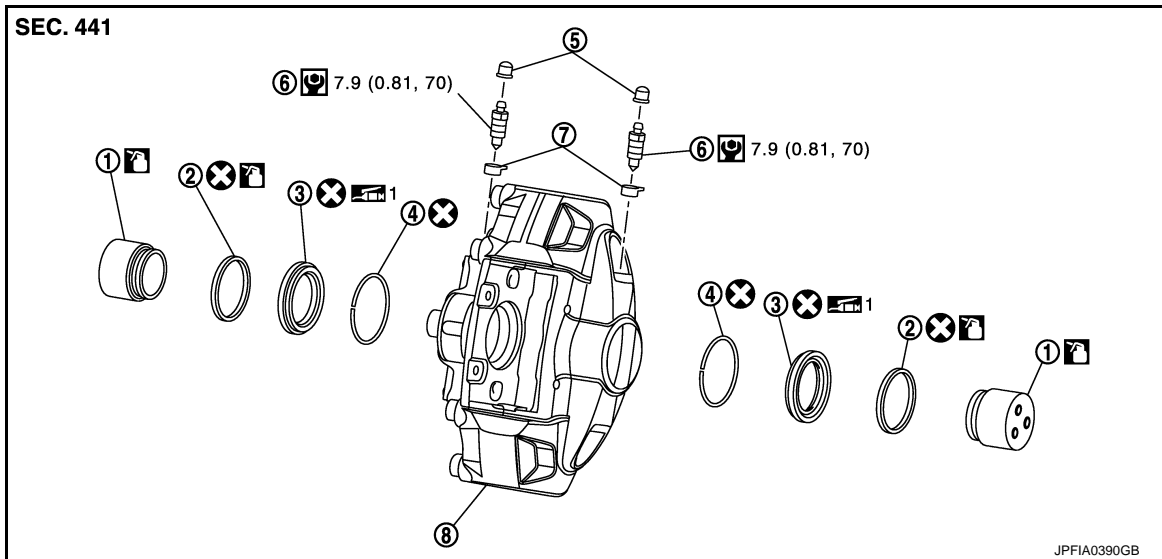


1. Caliper assembly
Refer to [GI-4, "Components"](#) for symbols in the figure.

DISASSEMBLY

REAR DISC BRAKE

< REMOVAL AND INSTALLATION >



- | | | |
|-------------------|----------------|------------------|
| 1. Piston | 2. Piston seal | 3. Piston boot |
| 4. Retaining ring | 5. Cap | 6. Bleeder valve |
| 7. Cap | 8. Caliper | |

1: Apply rubber grease.

: Apply brake fluid.

Refer to [GI-4, "Components"](#) for symbols not described on the above.

BRAKE CALIPER ASSEMBLY (2 PISTON TYPE) : Removal and Installation

INFOID:000000007466429

REMOVAL

WARNING:

Since dust covering the rear brake has an affect on human body, the dust must be removed with a dust collector. Never splatter the dust with an air blow gun.

CAUTION:

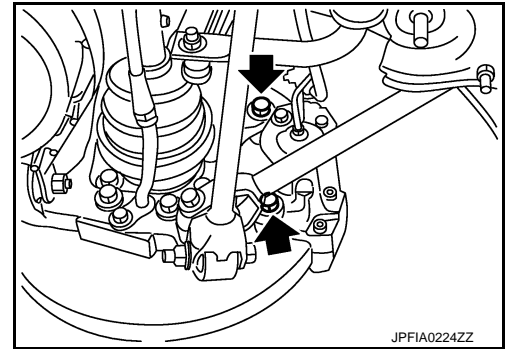
Never depress the brake pedal. Brake fluid may splash while removing the brake hose and brake tube.

1. Remove tires with power tool.
2. Fix the disc rotor using wheel nuts.
3. Drain brake fluid. Refer to [BR-10, "Draining"](#).
CAUTION:
Never spill or splash brake fluid on the disc rotor.
4. Loosen the flare nut with a flare nut wrench and separate the brake tube from caliper. Refer to [BR-28, "REAR : Exploded View"](#).
CAUTION:
 - Cover flare nut wrench with a cloth as not to damage the caliper.
 - Never scratch the flare nut and the brake tube.
 - Never bend sharply, twist or strongly pull out the brake tube.
 - Cover open end of brake tube when disconnecting to prevent entrance of dirt.
5. Remove brake hose mounting bolt.

REAR DISC BRAKE

< REMOVAL AND INSTALLATION >

6. Remove caliper mounting bolts, and remove caliper.
CAUTION:
Never drop brake pad and caliper.
7. Remove disc rotor.
CAUTION:
 - Put matching marks on the wheel hub and bearing assembly and the disc rotor before removing the disc rotor.
 - Never drop disc rotor.



INSTALLATION

WARNING:

Since dust covering the rear brake has an affect on human body, the dust must be removed with a dust collector. Never splatter the dust with an air blow gun.

CAUTION:

Never depress the brake pedal. Brake fluid may splash while removing the brake hose.

1. Install disc rotor.
CAUTION:
Align the matching marks that have been made during removal when reusing the disc rotor.
2. Install the brake caliper to the vehicle and tighten the caliper mounting bolts to the specified torque.
CAUTION:
Never spill or splash any grease and moisture on the caliper mounting face, threads, mounting bolts and washers. Wipe out any grease and moisture.
3. Install the brake hose mounting bolt to the specified torque.
4. Tighten the flare nut to the specified torque with a crowfoot and torque wrench. Refer to [BR-28. "REAR : Exploded View"](#).
CAUTION:
 - Cover crowfoot with a cloth as not to damage the caliper.
 - Never scratch the flare nut and the brake tube.
5. Refill with new brake fluid and perform the air bleeding. Refer to [BR-11. "Bleeding Brake System"](#).
CAUTION:
 - Never reuse drained brake fluid.
 - Never spill or splash brake fluid on the disc rotor.
6. Check a drag of rear disc brake. If any drag is found, refer to [BR-69. "BRAKE CALIPER ASSEMBLY \(2 PISTON TYPE\) : Inspection"](#).
7. Install tires.

BRAKE CALIPER ASSEMBLY (2 PISTON TYPE) : Disassembly and Assembly

INFOID:000000007466430

DISASSEMBLY

1. Remove brake pads. Refer to [BR-59. "BRAKE PAD \(2 PISTON TYPE\) : Exploded View"](#).
CAUTION:
Never drop brake pad, shims, shim covers, pad pins and clips.
2. Remove caliper assembly. Refer to [BR-65. "BRAKE CALIPER ASSEMBLY \(2 PISTON TYPE\) : Exploded View"](#).

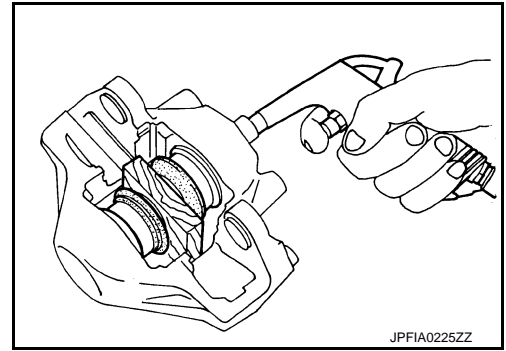
REAR DISC BRAKE

< REMOVAL AND INSTALLATION >

3. Place a wooden block as shown in the figure, and blow air from brake tube mounting hole to remove pistons and piston boots and retaining rings.

CAUTION:

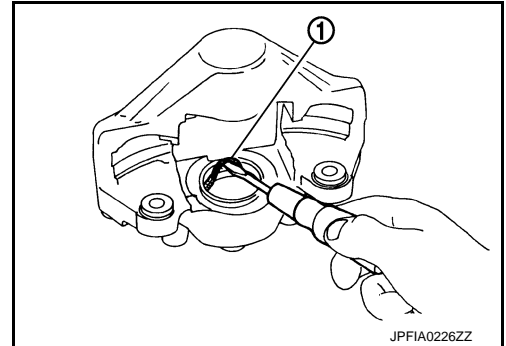
Never get fingers caught in the pistons.



4. Remove piston seal (1) from caliper using suitable tool.

CAUTION:

Be careful not to damage a caliper inner wall.

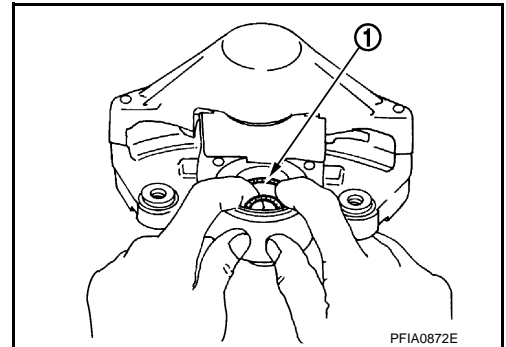


ASSEMBLY

1. Apply brake fluid to piston seals (1), and install them to caliper.

CAUTION:

Never reuse piston seals.



REAR DISC BRAKE

< REMOVAL AND INSTALLATION >

2. Apply rubber grease to piston boots (1). Cover the piston (2) end with piston boots, and then install caliper side lip on piston boot securely into a groove on caliper.

CAUTION:

Never reuse piston boots.

3. Apply brake fluid to piston. Push piston into caliper by hand and push piston boot piston-side lip into the piston groove.

CAUTION:

Press the piston evenly and vary the pressing point to prevent caliper inner wall from being rubbed.

4. Secure piston boot with retaining ring.

CAUTION:

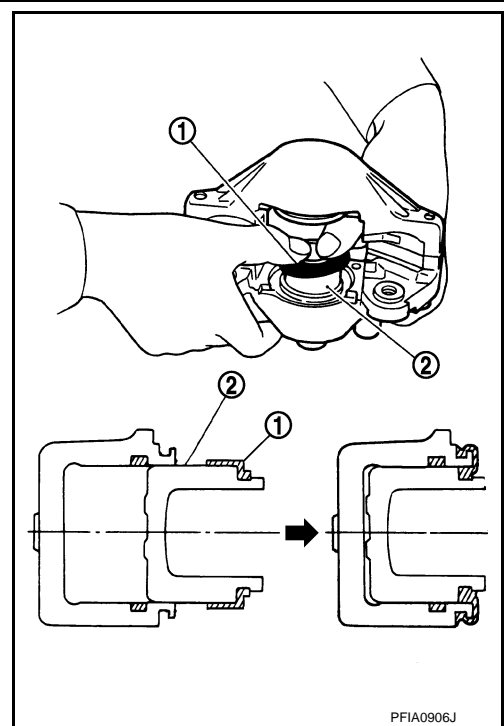
- Make sure that boot is securely engaged in the groove on caliper.
- Never reuse retaining ring.

5. Install the caliper to tighten the caliper mounting bolts to the specified torque. Refer to [BR-65, "BRAKE CALIPER ASSEMBLY \(2 PISTON TYPE\) : Exploded View"](#).

6. Install brake pads. Refer to [BR-59, "BRAKE PAD \(2 PISTON TYPE\) : Exploded View"](#).

CAUTION:

Never drop brake pads, shims, pad pins and clips.



BRAKE CALIPER ASSEMBLY (2 PISTON TYPE) : Inspection

INFOID:000000007466431

INSPECTION AFTER DISASSEMBLY

Caliper

Check the inner wall of the caliper for rust, wear, cracks or damage. Replace the caliper if any abnormal condition is detected.

CAUTION:

Always clean with new brake fluid. Never clean with mineral oil such as gasoline and light oil.

Pistons

Check the surface of the piston for rust, wear, cracks or damage. Replace the piston if any abnormal condition is detected.

CAUTION:

A piston sliding surface is plated. Never polish with sandpaper.

INSPECTION AFTER INSTALLATION

1. Check a drag of rear disc brake. If any drag is found, follow the procedure described below.

2. Remove brake pads. Refer to [BR-59, "BRAKE PAD \(2 PISTON TYPE\) : Exploded View"](#).

3. Press the pistons.

CAUTION:

- Never damage the piston boot.
- When replacing a pad with new one, check a brake fluid level in the reservoir tank because brake fluid returns to master cylinder reservoir tank when pressing piston in.

NOTE:

Use a disc brake piston tool to easily press piston.

4. Install brake pads. Refer to [BR-59, "BRAKE PAD \(2 PISTON TYPE\) : Exploded View"](#).

5. Depress the brake pedal several times.

6. Check a drag of rear disc brake again. If any drag is found, disassemble the caliper body. Refer to [BR-67, "BRAKE CALIPER ASSEMBLY \(2 PISTON TYPE\) : Disassembly and Assembly"](#).

7. Burnish contact surface disc rotor and brake pads after refinishing or replacing disc rotor, or if a soft pedal occurs at very low mileage. Refer to [BR-16, "DISC ROTOR : Inspection and Adjustment"](#).

SERVICE DATA AND SPECIFICATIONS (SDS)

< SERVICE DATA AND SPECIFICATIONS (SDS)

SERVICE DATA AND SPECIFICATIONS (SDS)

SERVICE DATA AND SPECIFICATIONS (SDS)

General Specifications

INFOID:000000007466432

FRONT CALIPER 2 PISTON AND REAR CALIPER 1 PISTON TYPE

Unit: mm (in)

Front brake	Cylinder bore diameter		45.0 (1.772) × 2
	Pad length × width × thickness		130 × 53.5 × 11.0 (5.12 × 2.106 × 0.433)
	Rotor outer diameter × thickness		320 × 28.0 (12.60 × 1.102)
Rear brake	Cylinder bore diameter		42.86 (1.687)
	Pad length × width × thickness		83.0 × 33.0 × 8.5 (3.268 × 1.299 × 0.335)
	Rotor outer diameter × thickness		308 × 16.0 (12.13 × 0.630)
Master cylinder	Cylinder bore diameter		25.4 (1)
Control valve	Valve type		Electric brake force distribution
Brake booster	Diaphragm diameter	VQ25HR (2WD)	255 (10.04)
		VQ25HR (AWD)	Primary: 230 (9.06)
		VQ37VHR	Secondary: 205 (8.07)
Recommended brake fluid			Refer to MA-17, "FOR NORTH AMERICA : Fluids and Lubricants" (except for Mexico), MA-19, "FOR MEXICO : Fluids and Lubricants" (for Mexico).

FRONT CALIPER 4 PISTON, REAR CALIPER 2 PISTON TYPE

Unit: mm (in)

Front brake	Caliper bore diameter		41.3 (1.626) × 2 + 44.45 (1.750) × 2
	Pad length × width × thickness		123.2 × 55.0 × 11.0 (4.85 × 2.165 × 0.433)
	Rotor outer diameter × thickness		355 × 32.0 (13.98 × 1.260)
Rear brake	Caliper bore diameter		41.3 (1.626) × 2
	Pad length × width × thickness		95.8 × 41.5 × 8.5 (3.772 × 1.634 × 0.335)
	Rotor outer diameter × thickness		350 × 20.0 (13.78 × 0.787)
Master cylinder	Cylinder bore diameter		25.4 (1)
Control valve	Valve type		Electric brake force distribution
Brake booster	Diaphragm diameter		Primary: 230 (9.06)
			Secondary: 205 (8.07)
Recommended brake fluid			Refer to MA-17, "FOR NORTH AMERICA : Fluids and Lubricants" .

Brake Pedal

INFOID:000000007466433

Unit: mm (in)

Brake pedal height	171.5 – 181.5 (6.75 – 7.15)
Clearance between ASCD brake switch threaded end and the stopper rubber	0 – 0.6 (0 – 0.024)
Clearance between the stop lamp switch threaded end and the stopper rubber	0.74 – 1.96 (0.0291 – 0.0772)
Brake pedal play	2.0 – 8.0 (0.079 – 0.315)
Brake pedal shaky fitting	0 – 1.4 (0.0 – 0.055)
Depressed brake pedal height [Depressing 490 N (50 kg, 110 lb) while turning the engine ON]	124.0 (4.88) or more

SERVICE DATA AND SPECIFICATIONS (SDS)

< SERVICE DATA AND SPECIFICATIONS (SDS)

Brake Booster

INFOID:000000007466434

Unit: mm (in)

Input rod length	127.5 – 128.5 (5.02 – 5.06)
------------------	-----------------------------

Front Disc Brake

INFOID:000000007466435

2 PISTON TYPE

Unit: mm (in)

Item		Limit
Brake pad	Wear thickness	2.0 (0.079)
	Wear thickness	26.0 (1.024)
Disc rotor	Thickness variation (measured at 8 positions)	0.015 (0.0006)
	Runout (with it attached to the vehicle)	0.035 (0.0014)

4 PISTON TYPE

Unit: mm (in)

Item		Limit
Brake pad	Wear thickness	2.0 (0.079)
	Wear thickness	30.0 (1.181)
Disc rotor	Thickness variation (measured at 8 positions)	0.015 (0.0006)
	Runout (with it attached to the vehicle)	0.035 (0.0014)

Rear Disc Brake

INFOID:000000007466436

1 PISTON TYPE

Unit: mm (in)

Item		Limit
Brake pad	Wear thickness	2.0 (0.079)
	Wear thickness	14.0 (0.551)
Disc rotor	Thickness variation (measured at 8 positions)	0.015 (0.0006)
	Runout (with it attached to the vehicle)	0.055 (0.0022)

2 PISTON TYPE

Unit: mm (in)

Item		Limit
Brake pad	Wear thickness	2.0 (0.079)
	Wear thickness	18.0 (0.709)
Disc rotor	Thickness variation (measured at 8 positions)	0.015 (0.0006)
	Runout (with it attached to the vehicle)	0.055 (0.0022)