

A
B
C

DLK

SECTION DOOR & LOCK

CONTENTS

<p>BASIC INSPECTION 7</p> <p>DIAGNOSIS AND REPAIR WORK FLOW 7</p> <p style="padding-left: 20px;">Work Flow7</p> <p>INSPECTION AND ADJUSTMENT10</p> <p>ADDITIONAL SERVICE WHEN REPLACING CONTROL UNIT 10</p> <p style="padding-left: 20px;">ADDITIONAL SERVICE WHEN REPLACING CONTROL UNIT : Description 10</p> <p style="padding-left: 20px;">ADDITIONAL SERVICE WHEN REPLACING CONTROL UNIT : Special Repair Requirement 10</p> <p>SYSTEM DESCRIPTION11</p> <p>POWER DOOR LOCK SYSTEM11</p> <p style="padding-left: 20px;">System Diagram 11</p> <p style="padding-left: 20px;">System Description 11</p> <p style="padding-left: 20px;">Component Parts Location 14</p> <p style="padding-left: 20px;">Component Description 15</p> <p>INTELLIGENT KEY SYSTEM16</p> <p>INTELLIGENT KEY SYSTEM 16</p> <p style="padding-left: 20px;">INTELLIGENT KEY SYSTEM : System Diagram.... 16</p> <p style="padding-left: 20px;">INTELLIGENT KEY SYSTEM : System Description 16</p> <p style="padding-left: 20px;">INTELLIGENT KEY SYSTEM :</p> <p style="padding-left: 40px;">Component Parts Location 18</p> <p style="padding-left: 20px;">INTELLIGENT KEY SYSTEM :</p> <p style="padding-left: 40px;">Component Description20</p> <p>DOOR LOCK FUNCTION20</p> <p style="padding-left: 20px;">DOOR LOCK FUNCTION : System Diagram21</p> <p style="padding-left: 20px;">DOOR LOCK FUNCTION : System Description21</p> <p style="padding-left: 20px;">DOOR LOCK FUNCTION :</p> <p style="padding-left: 40px;">Component Parts Location24</p> <p style="padding-left: 20px;">DOOR LOCK FUNCTION :</p> <p style="padding-left: 40px;">Component Description26</p> <p>TRUNK OPEN FUNCTION26</p> <p style="padding-left: 20px;">TRUNK OPEN FUNCTION : System Diagram26</p>	<p style="text-align: right;">D E F G H I J</p> <p style="padding-left: 20px;">TRUNK OPEN FUNCTION : System Description....26</p> <p style="padding-left: 20px;">TRUNK OPEN FUNCTION :</p> <p style="padding-left: 40px;">Component Parts Location28</p> <p style="padding-left: 20px;">TRUNK OPEN FUNCTION :</p> <p style="padding-left: 40px;">Component Description30</p> <p>REMOTE KEYLESS ENTRY FUNCTION30</p> <p style="padding-left: 20px;">REMOTE KEYLESS ENTRY FUNCTION : System Diagram30</p> <p style="padding-left: 20px;">REMOTE KEYLESS ENTRY FUNCTION : System Description30</p> <p style="padding-left: 20px;">REMOTE KEYLESS ENTRY FUNCTION :</p> <p style="padding-left: 40px;">Component Parts Location34</p> <p style="padding-left: 20px;">REMOTE KEYLESS ENTRY FUNCTION :</p> <p style="padding-left: 40px;">Component Description36</p> <p>KEY REMINDER FUNCTION36</p> <p style="padding-left: 20px;">KEY REMINDER FUNCTION : System Diagram36</p> <p style="padding-left: 20px;">KEY REMINDER FUNCTION : System Description36</p> <p style="padding-left: 20px;">KEY REMINDER FUNCTION :</p> <p style="padding-left: 40px;">Component Parts Location38</p> <p>WARNING FUNCTION39</p> <p style="padding-left: 20px;">WARNING FUNCTION : System Description40</p> <p style="padding-left: 20px;">WARNING FUNCTION :</p> <p style="padding-left: 40px;">Component Parts Location45</p> <p>TRUNK OPEN FUNCTION47</p> <p style="padding-left: 20px;">System Diagram47</p> <p style="padding-left: 20px;">System Description47</p> <p style="padding-left: 20px;">Component Parts Location48</p> <p style="padding-left: 20px;">Component Description48</p> <p>INTEGRATED HOMELINK TRANSMITTER49</p> <p style="padding-left: 20px;">Component Description49</p> <p>DIAGNOSIS SYSTEM (BCM)50</p> <p>COMMON ITEM50</p> <p style="padding-left: 20px;">COMMON ITEM : CONSULT Function (BCM - COMMON ITEM)50</p>
--	---

DLK

DOOR LOCK	51	DOOR LOCK ACTUATOR	71
DOOR LOCK : CONSULT Function (BCM - DOOR LOCK)	51	DRIVER SIDE	71
INTELLIGENT KEY	53	DRIVER SIDE : Description	71
INTELLIGENT KEY : CONSULT Function (BCM - INTELLIGENT KEY)	53	DRIVER SIDE : Component Function Check	71
TRUNK	56	DRIVER SIDE : Diagnosis Procedure	71
TRUNK : CONSULT Function (BCM - TRUNK)	56	PASSENGER SIDE	71
DTC/CIRCUIT DIAGNOSIS	57	PASSENGER SIDE : Description	72
U1000 CAN COMM CIRCUIT	57	PASSENGER SIDE :	
Description	57	Component Function Check	72
DTC Logic	57	PASSENGER SIDE : Diagnosis Procedure	72
Diagnosis Procedure	57	REAR LH	72
U1010 CONTROL UNIT (CAN)	58	REAR LH : Description	72
DTC Logic	58	REAR LH : Component Function Check	73
Diagnosis Procedure	58	REAR LH : Diagnosis Procedure	73
Special Repair Requirement	58	REAR RH	73
B2621 INSIDE ANTENNA	59	REAR RH : Description	73
Description	59	REAR RH : Component Function Check	73
DTC Logic	59	REAR RH : Diagnosis Procedure	74
Diagnosis Procedure	59	FUEL LID LOCK ACTUATOR	75
B2622 INSIDE ANTENNA	61	Description	75
Description	61	Component Function Check	75
DTC Logic	61	Diagnosis Procedure	75
Diagnosis Procedure	61	TRUNK LID OPENER ACTUATOR	76
B2623 INSIDE ANTENNA	63	Description	76
Description	63	Component Function Check	76
DTC Logic	63	Diagnosis Procedure	76
Diagnosis Procedure	63	TRUNK ROOM LAMP SWITCH	78
POWER SUPPLY AND GROUND CIRCUIT	65	Description	78
BCM (BODY CONTROL MODULE)	65	Component Function Check	78
BCM (BODY CONTROL MODULE) : Diagnosis Procedure	65	Diagnosis Procedure	78
DOOR SWITCH	66	Component Inspection	79
Description	66	DOOR KEY CYLINDER SWITCH	80
Component Function Check	66	Description	80
Diagnosis Procedure	66	Component Function Check	80
Component Inspection	68	Diagnosis Procedure	80
DOOR LOCK AND UNLOCK SWITCH	69	Component Inspection	81
DRIVER SIDE	69	REMOTE KEYLESS ENTRY RECEIVER	82
DRIVER SIDE : Description	69	Description	82
DRIVER SIDE : Component Function Check	69	Component Function Check	82
DRIVER SIDE : Diagnosis Procedure	69	Diagnosis Procedure	82
PASSENGER SIDE	69	TRUNK LID OPENER SWITCH	85
PASSENGER SIDE : Description	69	Description	85
PASSENGER SIDE :		Component Function Check	85
Component Function Check	69	Diagnosis Procedure	85
PASSENGER SIDE : Diagnosis Procedure	69	Component Inspection	86
DOOR LOCK ACTUATOR	71	TRUNK LID OPENER REQUEST SWITCH	87
DRIVER SIDE	71	Description	87
DRIVER SIDE : Description	71	Component Function Check	87
DRIVER SIDE : Component Function Check	71	Diagnosis Procedure	87
DRIVER SIDE : Diagnosis Procedure	71	Component Inspection	88
PASSENGER SIDE	71		
PASSENGER SIDE : Description	72		
PASSENGER SIDE :			
Component Function Check	72		
PASSENGER SIDE : Diagnosis Procedure	72		
REAR LH	72		
REAR LH : Description	72		
REAR LH : Component Function Check	73		
REAR LH : Diagnosis Procedure	73		
REAR RH	73		
REAR RH : Description	73		
REAR RH : Component Function Check	73		
REAR RH : Diagnosis Procedure	74		
FUEL LID LOCK ACTUATOR	75		
Description	75		
Component Function Check	75		
Diagnosis Procedure	75		
TRUNK LID OPENER ACTUATOR	76		
Description	76		
Component Function Check	76		
Diagnosis Procedure	76		
TRUNK ROOM LAMP SWITCH	78		
Description	78		
Component Function Check	78		
Diagnosis Procedure	78		
Component Inspection	79		
DOOR KEY CYLINDER SWITCH	80		
Description	80		
Component Function Check	80		
Diagnosis Procedure	80		
Component Inspection	81		
REMOTE KEYLESS ENTRY RECEIVER	82		
Description	82		
Component Function Check	82		
Diagnosis Procedure	82		
TRUNK LID OPENER SWITCH	85		
Description	85		
Component Function Check	85		
Diagnosis Procedure	85		
Component Inspection	86		
TRUNK LID OPENER REQUEST SWITCH	87		
Description	87		
Component Function Check	87		
Diagnosis Procedure	87		
Component Inspection	88		

TRUNK LID OPENER CANCEL SWITCH	89	Component Function Check	109	
Description	89	Diagnosis Procedure	109	A
Component Function Check	89	KEY WARNING LAMP	110	
Diagnosis Procedure	89	Description	110	B
Component Inspection	90	Component Function Check	110	
DOOR REQUEST SWITCH	91	Diagnosis Procedure	110	
Description	91	HAZARD FUNCTION	111	C
Component Function Check	91	Description	111	
Diagnosis Procedure	91	Component Function Check	111	
Component Inspection	92	Diagnosis Procedure	111	D
UNLOCK SENSOR	93	INTEGRATED HOMELINK TRANSMITTER ..	112	
Description	93	Description	112	
Component Function Check	93	Component Function Check	112	E
Diagnosis Procedure	93	Diagnosis Procedure	112	
Component Inspection	94	POWER DOOR LOCK SYSTEM	114	
OUTSIDE KEY ANTENNA	95	Wiring Diagram - POWER DOOR LOCK SYSTEM		F
Description	95	-	114	
Component Function Check	95	INTELLIGENT KEY SYSTEM	116	G
Diagnosis Procedure	95	Wiring Diagram - INTELLIGENT KEY SYSTEM ..	116	
INTELLIGENT KEY WARNING BUZZER	98	TRUNK LID OPENER	119	H
Description	98	Wiring Diagram - TRUNK LID OPENER -	119	
Component Function Check	98	INTEGRATED HOMELINK TRANSMITTER		
Diagnosis Procedure	98	SYSTEM	120	I
Component Inspection	99	Wiring Diagram - INTEGRATED HOMELINK		
INTELLIGENT KEY	100	TRANSMITTER SYSTEM -	120	
Description	100	ECU DIAGNOSIS INFORMATION	121	J
Component Function Check	100	BCM (BODY CONTROL MODULE)	121	
Diagnosis Procedure	100	Reference Value	121	
Component Inspection	100	Wiring Diagram - BCM -	145	DLK
Special Repair Requirement	101	Fail-safe	149	
KEY SLOT	102	DTC Inspection Priority Chart	150	L
Description	102	DTC Index	151	
Component Function Check	102	SYMPTOM DIAGNOSIS	154	M
Diagnosis Procedure	102	DOOR DOES NOT LOCK/UNLOCK WITH		
Component Inspection	103	DOOR LOCK AND UNLOCK SWITCH	154	
KEY SLOT INDICATOR	104	ALL DOOR	154	N
Description	104	ALL DOOR : Description	154	
Component Function Check	104	ALL DOOR : Diagnosis Procedure	154	O
Diagnosis Procedure	104	DRIVER SIDE	154	
Component Inspection	105	DRIVER SIDE : Description	154	
HORN FUNCTION	106	DRIVER SIDE : Diagnosis Procedure	154	P
Description	106	PASSENGER SIDE	155	
Component Function Check	106	PASSENGER SIDE : Description	155	
Diagnosis Procedure	106	PASSENGER SIDE : Diagnosis Procedure	155	
COMBINATION METER DISPLAY FUNC-		REAR LH	155	
TION	108	REAR LH : Description	155	
Description	108	REAR LH : Diagnosis Procedure	155	
Component Function Check	108			
Diagnosis Procedure	108			
BUZZER (COMBINATION METER)	109			
Description	109			

REAR RH	155	Description	166
REAR RH : Description	155	Diagnosis Procedure	166
REAR RH : Diagnosis Procedure	155		
DOOR DOES NOT LOCK/UNLOCK WITH DOOR KEY CYLINDER OPERATION	157	IGN OFF INTERLOCK DOOR UNLOCK FUNCTION DOES NOT OPERATE	167
Description	157	Description	167
Diagnosis Procedure	157	Diagnosis Procedure	167
DOOR DOES NOT LOCK/UNLOCK WITH DOOR REQUEST SWITCH	158	P RANGE INTERLOCK DOOR LOCK/UNLOCK FUNCTION DOES NOT OPERATE	168
ALL DOOR	158	Description	168
ALL DOOR : Description	158	Diagnosis Procedure	168
ALL DOOR : Diagnosis Procedure	158	AUTO DOOR LOCK OPERATION DOES NOT OPERATE	169
DRIVER SIDE	158	Description	169
DRIVER SIDE : Description	158	Diagnosis Procedure	169
DRIVER SIDE : Diagnosis Procedure	158	FUEL LID LOCK ACTUATOR DOES NOT OPERATE	170
PASSENGER SIDE	159	Description	170
PASSENGER SIDE : Description	159	Diagnosis Procedure	170
PASSENGER SIDE : Diagnosis Procedure	159	PANIC ALARM FUNCTION DOES NOT OPERATE	171
DOOR DOES NOT LOCK/UNLOCK WITH INTELLIGENT KEY	160	Description	171
Description	160	Diagnosis Procedure	171
Diagnosis Procedure	160	HAZARD AND HORN REMINDER DOES NOT OPERATE	172
TRUNK LID DOES NOT OPEN WITH TRUNK LID OPENER SWITCH	161	Description	172
Description	161	Diagnosis Procedure	172
Diagnosis Procedure	161	HAZARD AND BUZZER REMINDER DOES NOT OPERATE	173
TRUNK LID DOES NOT OPEN WITH INTELLIGENT KEY	162	Description	173
Description	162	Diagnosis Procedure	173
Diagnosis Procedure	162	KEY REMINDER FUNCTION DOES NOT OPERATE	174
TRUNK LID DOES NOT OPEN WITH TRUNK LID OPENER REQUEST SWITCH	163	INTELLIGENT KEY SYSTEM	174
Description	163	INTELLIGENT KEY SYSTEM : Description	174
Diagnosis Procedure	163	INTELLIGENT KEY SYSTEM : Diagnosis Procedure	174
SELECTIVE UNLOCK FUNCTION DOES NOT OPERATE	164	POWER DOOR LOCK SYSTEM	174
DOOR REQUEST SWITCH	164	POWER DOOR LOCK SYSTEM : Description	175
DOOR REQUEST SWITCH : Description	164	POWER DOOR LOCK SYSTEM : Diagnosis Procedure	175
DOOR REQUEST SWITCH : Diagnosis Procedure	164	KEY WARNING DOES NOT OPERATE	176
INTELLIGENT KEY	164	Description	176
INTELLIGENT KEY : Description	164	Diagnosis Procedure	176
INTELLIGENT KEY : Diagnosis Procedure	164	OFF POSITION WARNING DOES NOT OPERATE	177
DOOR KEY CYLINDER	165	Description	177
DOOR KEY CYLINDER : Description	165	Diagnosis Procedure	177
DOOR KEY CYLINDER : Diagnosis Procedure	165		
VEHICLE SPEED SENSING AUTO LOCK OPERATION DOES NOT OPERATE	166		

P POSITION WARNING DOES NOT OPERATE	178	HOOD	197	A
Description	178	HOOD ASSEMBLY	197	B
Diagnosis Procedure	178	HOOD ASSEMBLY : Exploded View	197	
ACC WARNING DOES NOT OPERATE	180	HOOD ASSEMBLY : Removal and Installation	197	
Description	180	HOOD ASSEMBLY : Adjustment	198	
Diagnosis Procedure	180	HOOD ASSEMBLY : Disposal	199	C
TAKE AWAY WARNING DOES NOT OPERATE	181	HOOD LOCK CONTROL	200	D
Description	181	HOOD LOCK CONTROL : Exploded View	200	
Diagnosis Procedure	181	HOOD LOCK CONTROL : Removal and Installation	200	
INTELLIGENT KEY LOW BATTERY WARNING DOES NOT OPERATE	183	HOOD LOCK CONTROL : Inspection	202	E
Description	183	RADIATOR CORE SUPPORT	203	
Diagnosis Procedure	183	Exploded View	203	
DOOR LOCK OPERATION WARNING DOES NOT OPERATE	184	Removal and Installation	203	F
Description	184	FRONT FENDER	206	
Diagnosis Procedure	184	Exploded View	206	
KEY ID WARNING DOES NOT OPERATE	185	Removal and Installation	206	G
Description	185	DOOR	207	
Diagnosis Procedure	185	FRONT DOOR	207	H
KEY WARNING LAMP DOES NOT ILLUMINATE	186	FRONT DOOR : Exploded View	207	
Description	186	FRONT DOOR : Removal and Installation	207	
Diagnosis Procedure	186	FRONT DOOR : Adjustment	207	I
INTEGRATED HOMELINK TRANSMITTER DOES NOT OPERATE	187	REAR DOOR	209	J
Diagnosis Procedure	187	REAR DOOR : Exploded View	209	
SQUEAK AND RATTLE TROUBLE DIAGNOSES	188	REAR DOOR : Removal and Installation	210	
Work Flow	188	REAR DOOR : Adjustment	210	
Inspection Procedure	190	DOOR LOCK	213	
Diagnostic Worksheet	192	FRONT DOOR LOCK	213	DLK
PRECAUTION	194	FRONT DOOR LOCK : Exploded View	213	
PRECAUTIONS	194	FRONT DOOR LOCK : Removal and Installation	213	L
Precaution for Supplemental Restraint System (SRS) "AIR BAG" and "SEAT BELT PRE-TENSIONER"	194	REAR DOOR LOCK	215	
Precaution for Procedure without Cowl Top Cover	194	REAR DOOR LOCK : Exploded View	216	
Precautions For Xenon Headlamp Service Work	194	REAR DOOR LOCK : Removal and Installation	216	M
Work	195	TRUNK LID	219	
PREPARATION	196	TRUNK LID ASSEMBLY	219	N
PREPARATION	196	TRUNK LID ASSEMBLY : Exploded View	219	
Special Service Tools	196	TRUNK LID ASSEMBLY : Removal and Installation	219	
Commercial Service Tools	196	TRUNK LID ASSEMBLY : Adjustment	220	
REMOVAL AND INSTALLATION	197	TRUNK LID ASSEMBLY : Disposal	221	O
		TRUNK LID LOCK	221	P
		TRUNK LID LOCK : Exploded View	222	
		TRUNK LID LOCK : Removal and Installation	222	
		TRUNK LID WEATHERSTRIP	222	
		TRUNK LID WEATHERSTRIP : Exploded View	223	
		TRUNK LID WEATHERSTRIP : Removal and Installation	223	
		FUEL FILLER LID OPENER	224	

Exploded View	224	REAR BUMPER	228
Removal and Installation	224	REAR BUMPER : Exploded View	228
DOOR SWITCH	225	REAR BUMPER : Removal and Installation	228
Removal and Installation	225	INTELLIGENT KEY WARNING BUZZER	229
INSIDE KEY ANTENNA	226	Exploded View	229
INSTRUMENT CENTER	226	Removal and Installation	229
INSTRUMENT CENTER : Exploded View	226	KEY SLOT	230
INSTRUMENT CENTER : Removal and Installation	226	Exploded View	230
CONSOLE	226	Removal and Installation	230
CONSOLE : Exploded View	226	TRUNK OPENER REQUEST SWITCH	231
CONSOLE : Removal and Installation	226	Exploded View	231
TRUNK ROOM	226	Removal and Installation	231
TRUNK ROOM : Exploded View	226	TRUNK LID OPENER SWITCH	232
TRUNK ROOM : Removal and Installation	227	Exploded View	232
OUTSIDE KEY ANTENNA	228	Removal and Installation	232
DRIVER SIDE	228	TRUNK LID OPENER CANCEL SWITCH	233
DRIVER SIDE : Exploded View	228	Exploded View	233
DRIVER SIDE : Removal and Installation	228	Removal and Installation	233
PASSENGER SIDE	228	REMOTE KEYLESS ENTRY RECEIVER	234
PASSENGER SIDE : Exploded View	228	Exploded View	234
PASSENGER SIDE : Removal and Installation	228	Removal and Installation	234

DIAGNOSIS AND REPAIR WORK FLOW

< BASIC INSPECTION >

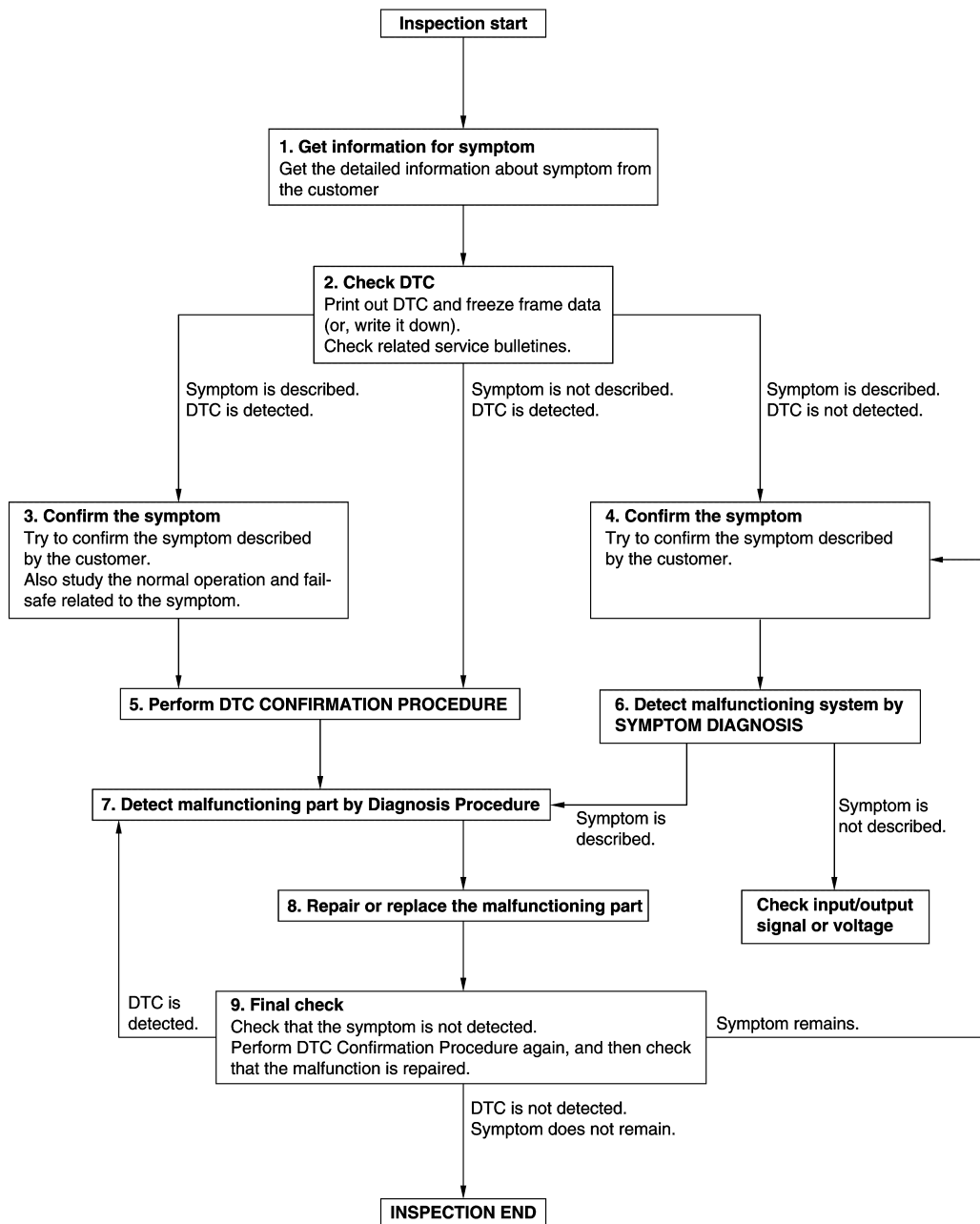
BASIC INSPECTION

DIAGNOSIS AND REPAIR WORK FLOW

Work Flow

INFOID:000000008293763

OVERALL SEQUENCE



DETAILED FLOW

JMKIA8652GB

DIAGNOSIS AND REPAIR WORK FLOW

< BASIC INSPECTION >

1. GET INFORMATION FOR SYMPTOM

1. Get detailed information from the customer about the symptom (the condition and the environment when the incident/malfunction occurs).
2. Check operation condition of the function that is malfunctioning.

>> GO TO 2.

2. CHECK DTC

1. Check DTC.
2. Perform the following procedure if DTC is detected.
 - Record DTC and freeze frame data (Print them out using CONSULT.)
 - Erase DTC.
 - Study the relationship between the cause detected by DTC and the symptom described by the customer.
3. Check related service bulletins for information.

Are any symptoms described and any DTC detected?

Symptom is described, DTC is detected>>GO TO 3.

Symptom is described, DTC is not detected>>GO TO 4.

Symptom is not described, DTC is detected>>GO TO 5.

3. CONFIRM THE SYMPTOM

Try to confirm the symptom described by the customer.

Also study the normal operation and fail-safe related to the symptom.

Verify relation between the symptom and the condition when the symptom is detected.

>> GO TO 5.

4. CONFIRM THE SYMPTOM

Try to confirm the symptom described by the customer.

Verify relation between the symptom and the condition when the symptom is detected.

>> GO TO 6.

5. PERFORM DTC CONFIRMATION PROCEDURE

Perform DTC CONFIRMATION PROCEDURE for the detected DTC, and then check that DTC is detected again. At this time, always connect CONSULT to the vehicle, and check self diagnostic results in real time.

If two or more DTCs are detected, refer to [BCS-74, "DTC Inspection Priority Chart"](#) (BCM), and determine trouble diagnosis order.

NOTE:

- Freeze frame data is useful if the DTC is not detected.
- Perform Component Function Check if DTC CONFIRMATION PROCEDURE is not included on Service Manual. This simplified check procedure is an effective alternative though DTC cannot be detected during this check.

If the result of Component Function Check is NG, it is the same as the detection of DTC by DTC CONFIRMATION PROCEDURE.

Is DTC detected?

YES >> GO TO 7.

NO >> Check according to [GI-43, "Intermittent Incident"](#).

6. DETECT MALFUNCTIONING SYSTEM BY SYMPTOM DIAGNOSIS

Detect malfunctioning system according to SYMPTOM DIAGNOSIS based on the confirmed symptom in step 4, and determine the trouble diagnosis order based on possible causes and symptom.

Is the symptom described?

YES >> GO TO 7.

NO >> Monitor input data from related sensors or check voltage of related module terminals using CONSULT.

7. DETECT MALFUNCTIONING PART BY DIAGNOSIS PROCEDURE

DIAGNOSIS AND REPAIR WORK FLOW

< BASIC INSPECTION >

Inspect according to Diagnosis Procedure of the system.

Is malfunctioning part detected?

YES >> GO TO 8.

NO >> Check according to [GI-43. "Intermittent Incident"](#).

8. REPAIR OR REPLACE THE MALFUNCTIONING PART

1. Repair or replace the malfunctioning part.
2. Reconnect parts or connectors disconnected during Diagnosis Procedure again after repair and replacement.
3. Check DTC. If DTC is detected, erase it.

>> GO TO 9.

9. FINAL CHECK

When DTC is detected in step 2, perform DTC CONFIRMATION PROCEDURE again, and then check that the malfunction is repaired securely.

When symptom is described by the customer, refer to confirmed symptom in step 3 or 4, and check that the symptom is not detected.

Is DTC detected and does symptom remain?

YES-1 >> DTC is detected: GO TO 7.

YES-2 >> Symptom remains: GO TO 4.

NO >> Before returning the vehicle to the customer, always erase DTC.

A
B
C
D
E
F
G
H
I
J
L
M
N
O
P

DLK

INSPECTION AND ADJUSTMENT

< BASIC INSPECTION >

INSPECTION AND ADJUSTMENT

ADDITIONAL SERVICE WHEN REPLACING CONTROL UNIT

ADDITIONAL SERVICE WHEN REPLACING CONTROL UNIT : Description

INFOID:000000008293764

Perform the system initialization when replacing BCM, replacing Intelligent Key or registering an additional Intelligent Key.

ADDITIONAL SERVICE WHEN REPLACING CONTROL UNIT : Special Repair Requirement

INFOID:000000008293765

Refer to CONSULT operation manual for the NATS-IVIS/NVIS.

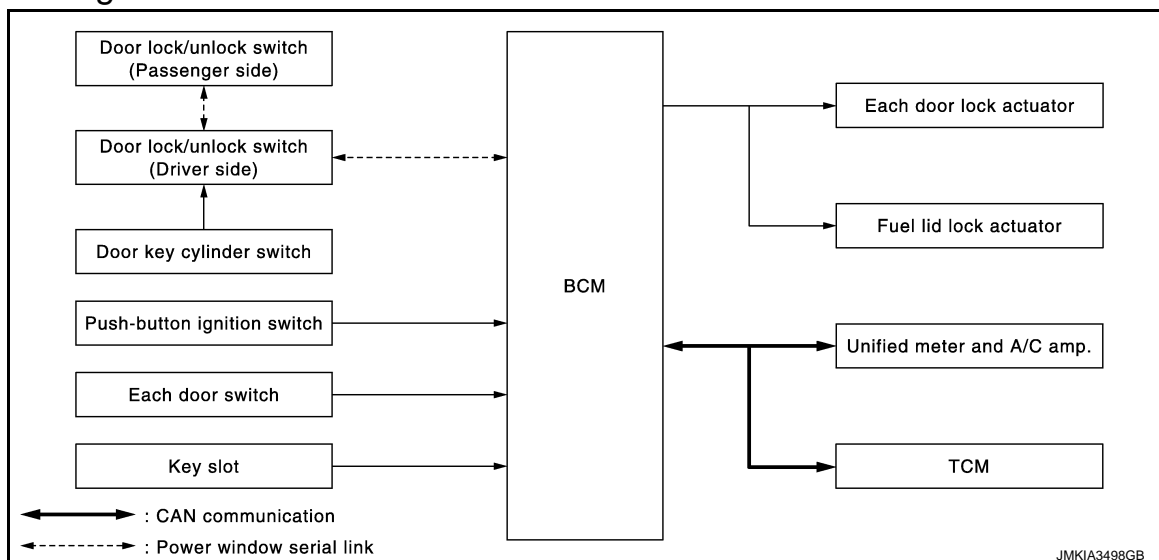
POWER DOOR LOCK SYSTEM

< SYSTEM DESCRIPTION >

SYSTEM DESCRIPTION

POWER DOOR LOCK SYSTEM

System Diagram



System Description

INFOID:000000008293767

DOOR LOCK FUNCTION

Door Lock and Unlock Switch

- The door lock and unlock switch (driver side) is built into power window main switch.
- The door lock and unlock switch (passenger side) is built into front power window switch (passenger side).
- Interlocked with the locking operation of door lock and unlock switch, door lock actuators of all doors and fuel lid lock actuator are locked.
- Interlocked with the unlocking operation of door lock and unlock switch, door lock actuators of all doors and fuel lid lock actuator are unlocked.

Door Key Cylinder Switch

- With the door key inserted in the door key cylinder on driver side, turning it to “LOCK”, locks door lock actuator of all doors and fuel lid lock actuator.
- With the door key inserted in the door key cylinder on driver side, turning it to “UNLOCK” once unlocks the driver side door, turning it to “UNLOCK” again within 60 seconds after the first unlock operation unlocks all of the other doors actuator and fuel lid lock actuator. - (SELECTIVE UNLOCK OPERATION)

Selective unlock operation mode can be changed using “DOOR LOCK-UNLOCK SET” mode in “WORK SUPPORT”. Refer to [DLK-51, "DOOR LOCK : CONSULT Function \(BCM - DOOR LOCK\)"](#).

KEY REMINDER FUNCTION

When door lock and unlock switch are operated while Intelligent Key is inserted into key slot and any door is open, door locks once but immediately unlocks. This operation prevents Intelligent Key from being left in the vehicle.

DOOR KEY CYLINDER SWITCH POWER WINDOW FUNCTION

Driver side key cylinder LOCK/UNLOCK operation can activate driver side and passenger side power window UP/DOWN operation. Refer to [PWC-9, "System Description"](#).

AUTOMATIC DOOR LOCK/UNLOCK FUNCTION (LOCK OPERATION)

The interlock door lock function is the function that locks all doors linked with the vehicle speed or shift position. It has 2 types as per the following items.

Vehicle Speed Sensing Auto Door Lock*¹

All doors are locked when the vehicle speed reaches 24 km/h (15 MPH) or more.

POWER DOOR LOCK SYSTEM

< SYSTEM DESCRIPTION >

BCM outputs the lock signal to all door lock actuators when it detects that the ignition switch is turned ON, all doors are closed and the vehicle speed received from the combination meter via CAN communication becomes 24 km/h (15 miles) or more.

P Range Interlock Door Lock*²

All doors are locked when shifting the selector lever from the P position to any position other than P.

BCM outputs the lock signal to all door lock actuators when it detects that the ignition switch is in the ON position and the shift signal received from the TCM via CAN communication is shifted from the P position to any position other than P.

Setting change of Automatic Door Lock/Unlock Function

The lock operation setting of the automatic door lock/unlock function can be changed.

NOTE:

P range interlock door lock can be selected for M/T models, but automatic door lock/unlock function does not operate.

With CONSULT

The ON/OFF switching of the automatic door lock function and the type selection of the automatic door lock/unlock function can be performed at the WORK SUPPORT setting of CONSULT.

Without CONSULT

The automatic door lock function ON/OFF can be switched by performing the following operation.

1. Close all doors (door switch OFF)
2. Turn ignition switch ON
3. Press and hold the door lock and unlock switch for 5 seconds or more in the lock direction within 20 seconds after turning the ignition switch ON.
4. The switching complete when the hazard lamp blinks.

OFF → ON : 2 blinks

ON → OFF : 1 blink

AUTOMATIC DOOR LOCK/UNLOCK FUNCTION (UNLOCK OPERATION)

The automatic door lock/unlock function is the function that unlocks all doors linked with the key position or shift position. It has 2 types as per the following items.

IGN OFF Interlock Door Unlock*¹

All doors are unlocked when the power supply position is changed from ON to OFF.

BCM outputs the unlock signal to all door lock actuators when it detects that the power supply position is changed from ignition switch ON to OFF.

P Range Interlock Door Unlock*²

All doors are unlocked when shifting the selector lever from any position other than the P to P position.

BCM outputs the unlock signal to all door lock actuators when it detects that the ignition switch is in the ON position and the shift signal received from TCM via CAN communication is shifted from any position other than the P to P position.

Setting change of Automatic Door Lock/Unlock Function

The unlock operation setting of the automatic door lock/unlock function can be changed.

NOTE:

P range interlock door lock can be selected for M/T models, but automatic door lock/unlock function does not operate.

With CONSULT

The ON/OFF switching of the automatic door lock/unlock function and the type selection of the automatic door lock/unlock function can be performed at the WORK SUPPORT setting of CONSULT.

Without CONSULT

The automatic door lock/unlock function ON/OFF can be switched by performing the following operation.

1. Close all doors below (door switch OFF)
2. Turn ignition switch ON
3. Press and hold the door lock and unlock switch for 5 seconds or more in the unlock direction within 20 seconds after turning the power supply position ON.
4. The switching is complete when the hazard lamp blinks.

POWER DOOR LOCK SYSTEM

< SYSTEM DESCRIPTION >

OFF → ON : 2 blinks

ON → OFF : 1 blink

*1: This function is set to ON before delivery.

*2: This function does not operate on M/T models.

A

B

C

D

E

F

G

H

I

J

DLK

L

M

N

O

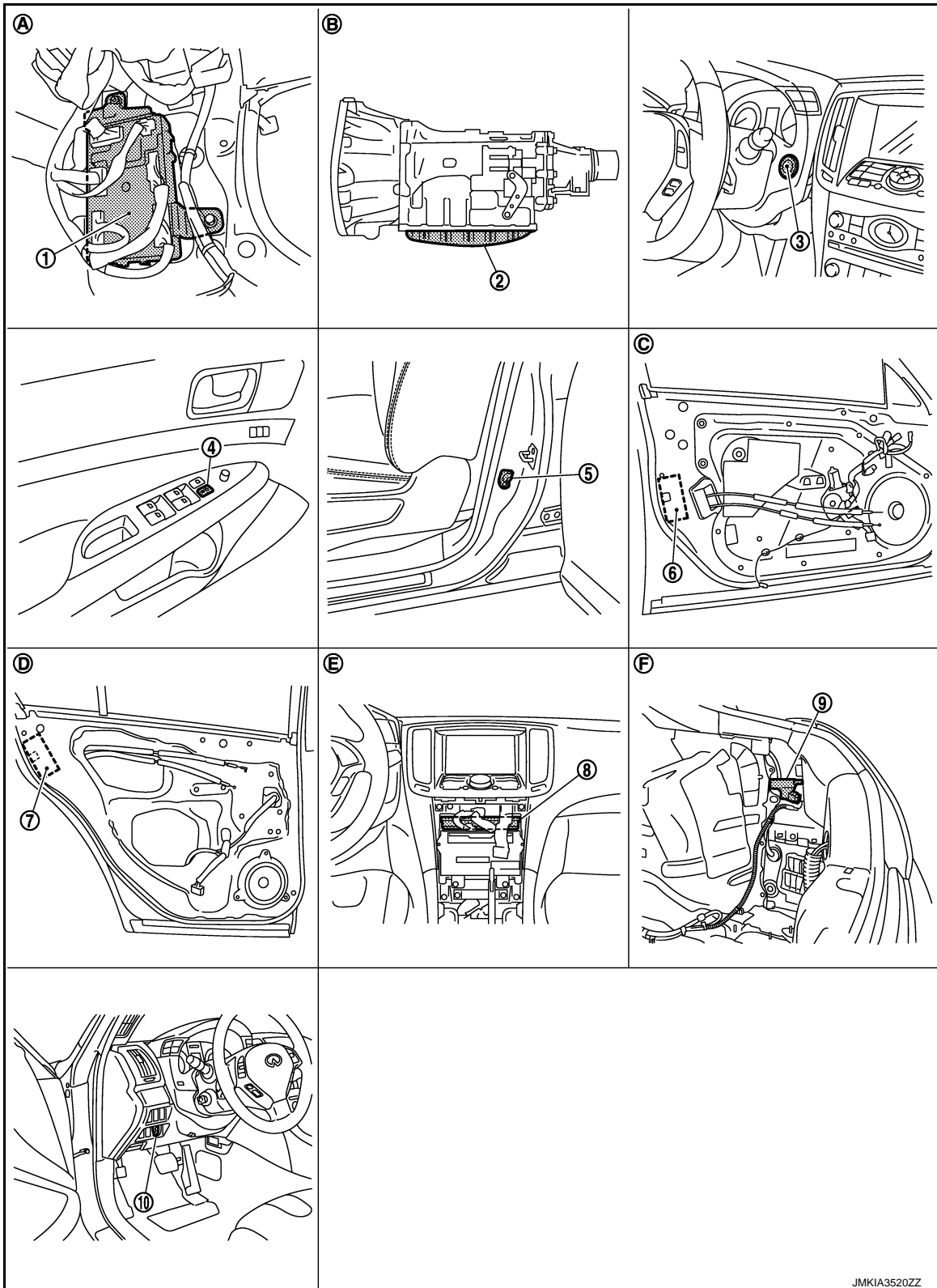
P

POWER DOOR LOCK SYSTEM

< SYSTEM DESCRIPTION >

Component Parts Location

INFOID:000000008293768



1. BCM M118, M119, M121, M122, M123
4. Power window main switch (door lock and unlock switch) D8, D9
7. Rear door lock assembly LH D55

2. A/T assembly (TCM)* F51
5. Front door switch (driver side) B16
8. Unified meter and A/C amp. M67

3. Push-button ignition switch (push switch) M50
6. Front door lock assembly (driver side) D15
9. Fuel lid lock actuator B242

POWER DOOR LOCK SYSTEM

< SYSTEM DESCRIPTION >

10. Key slot M22

A. Dash side lower (passenger side)

B. A/T assembly (TCM is built in A/T assembly)

C. View with driver side door finisher removed

D. View with rear door finisher LH removed

E. View with cluster lid C removed

F. View with trunk side finisher removed

*.With A/T models

Component Description

INFOID:000000008293769

Item	Function
BCM	Controls the door lock function.
Door lock and unlock switch	Inputs lock or unlock signal to BCM.
Door lock actuator	Outputs lock/unlock signal from BCM and locks/unlocks each door.
Door key cylinder switch	Built-in driver side door lock assembly <ul style="list-style-type: none"> Inputs lock or unlock signal to power window main switch. Power window main switch transmits door lock/unlock signal to BCM.
Door switch	Inputs door open/close condition to BCM.
Key slot	Inputs key insert/remove signal to BCM.
Unified meter and A/C amp.	Transmits vehicle speed signal to CAN communication line.
TCM	Transmits shift position signal to BCM via CAN communication line.
Fuel lid lock actuator	Performs lock/unlock of the fuel lid.
Push-button ignition switch	Inputs push-button ignition switch ON/OFF condition to BCM.

A

B

C

D

E

F

G

H

I

J

DLK

L

M

N

O

P

INTELLIGENT KEY SYSTEM

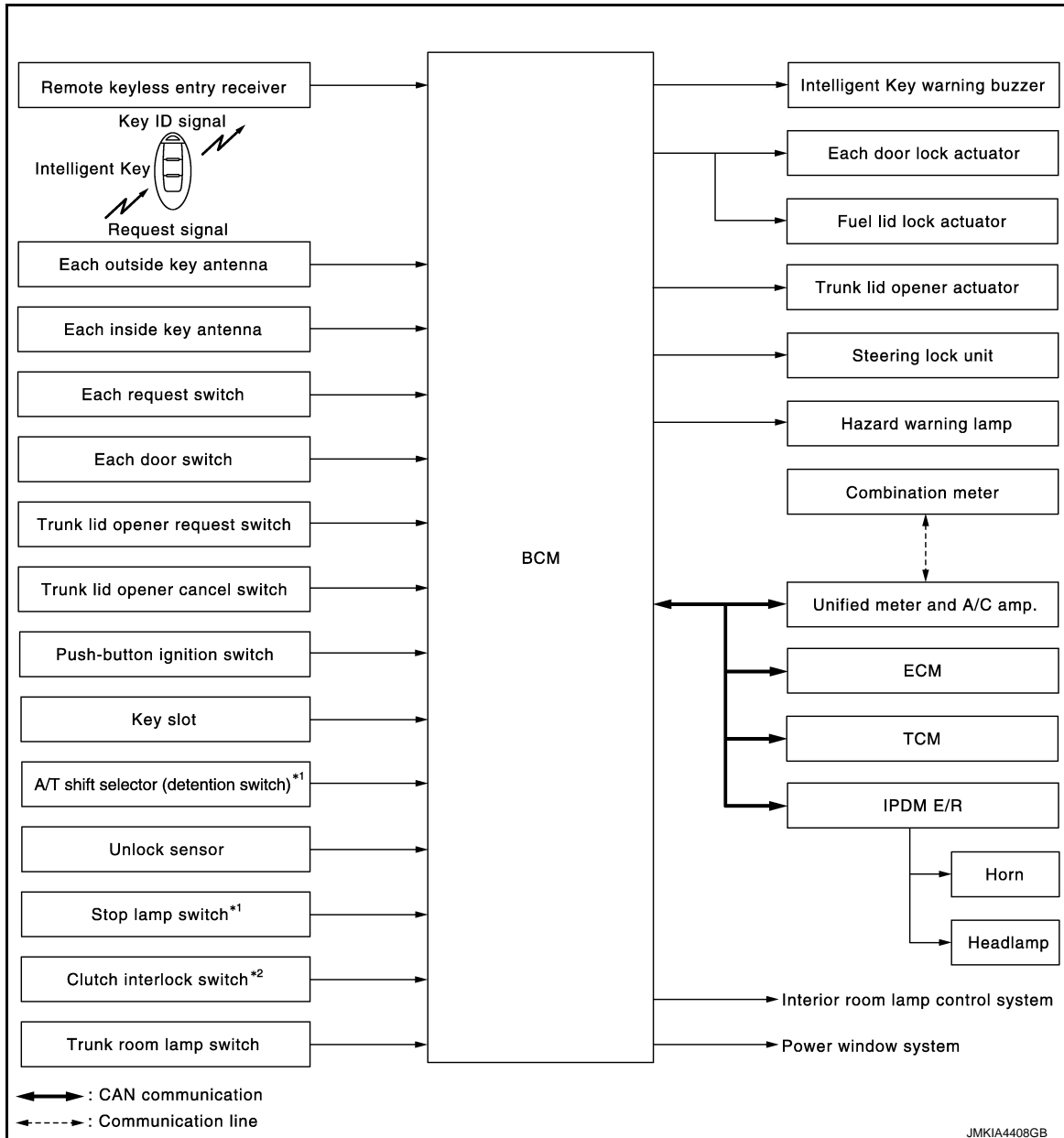
< SYSTEM DESCRIPTION >

INTELLIGENT KEY SYSTEM

INTELLIGENT KEY SYSTEM

INTELLIGENT KEY SYSTEM : System Diagram

INFOID:000000008293770



*1: With A/T models

*2: With M/T models

INTELLIGENT KEY SYSTEM : System Description

INFOID:000000008293771

- The Intelligent Key system is a system that makes it possible to lock and unlock the door locks (door lock/unlock function) by carrying the Intelligent Key, which operates based on the results of electronic ID verification using two-way communication between the Intelligent Key and the vehicle (BCM).

CAUTION:

The driver should always carry the Intelligent Key

- The settings for each function can be changed with CONSULT.
- If an Intelligent Key is lost, a new Intelligent Key can be registered. A maximum of 4 Intelligent Keys can be registered.
- It is possible to perform a diagnosis on the system and register an Intelligent Key with CONSULT.

INTELLIGENT KEY SYSTEM

< SYSTEM DESCRIPTION >

Function	Description	Refer
Door lock function	Lock/unlock can be performed by pressing the request switch.	DLK-21
Remote keyless entry function	Lock/unlock can be performed by pressing the remote controller button of the Intelligent Key.	DLK-30
Trunk open function	The trunk lid can be opened by carrying the Intelligent Key and pressing the trunk lid opener request switch.	DLK-26
Key reminder function	The key reminder buzzer sounds a warning if the door is locked with the key left inside the vehicle.	DLK-36
Warning function	If an action that does not meet the operating condition of the Intelligent Key system is taken, the buzzer sounds to inform the driver.	DLK-40
Engine start function	The engine can be turned on while carrying the Intelligent Key.	SEC-9

A
B
C
D
E
F
G
H
I
J
L
M
N
O
P

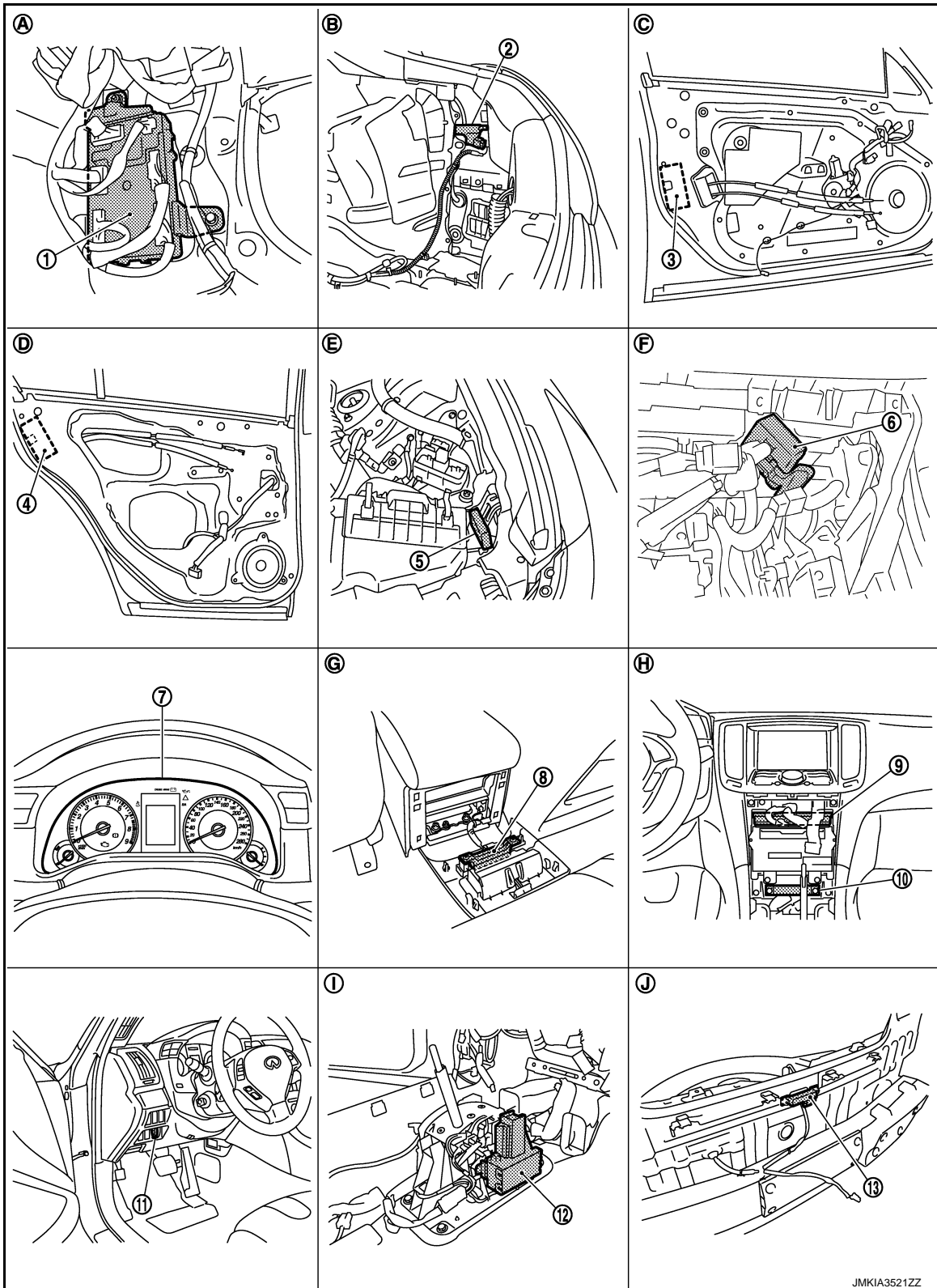
DLK

INTELLIGENT KEY SYSTEM

< SYSTEM DESCRIPTION >

INTELLIGENT KEY SYSTEM : Component Parts Location

INFOID:00000008293772



JMKIA3521ZZ

1. BCM M118, M119, M120, M121, M122, M123
4. Rear door lock assembly LH D55
7. Combination meter M53

2. Fuel lid lock actuator B242
5. Intelligent Key warning buzzer E57
8. Inside key antenna (console) M146

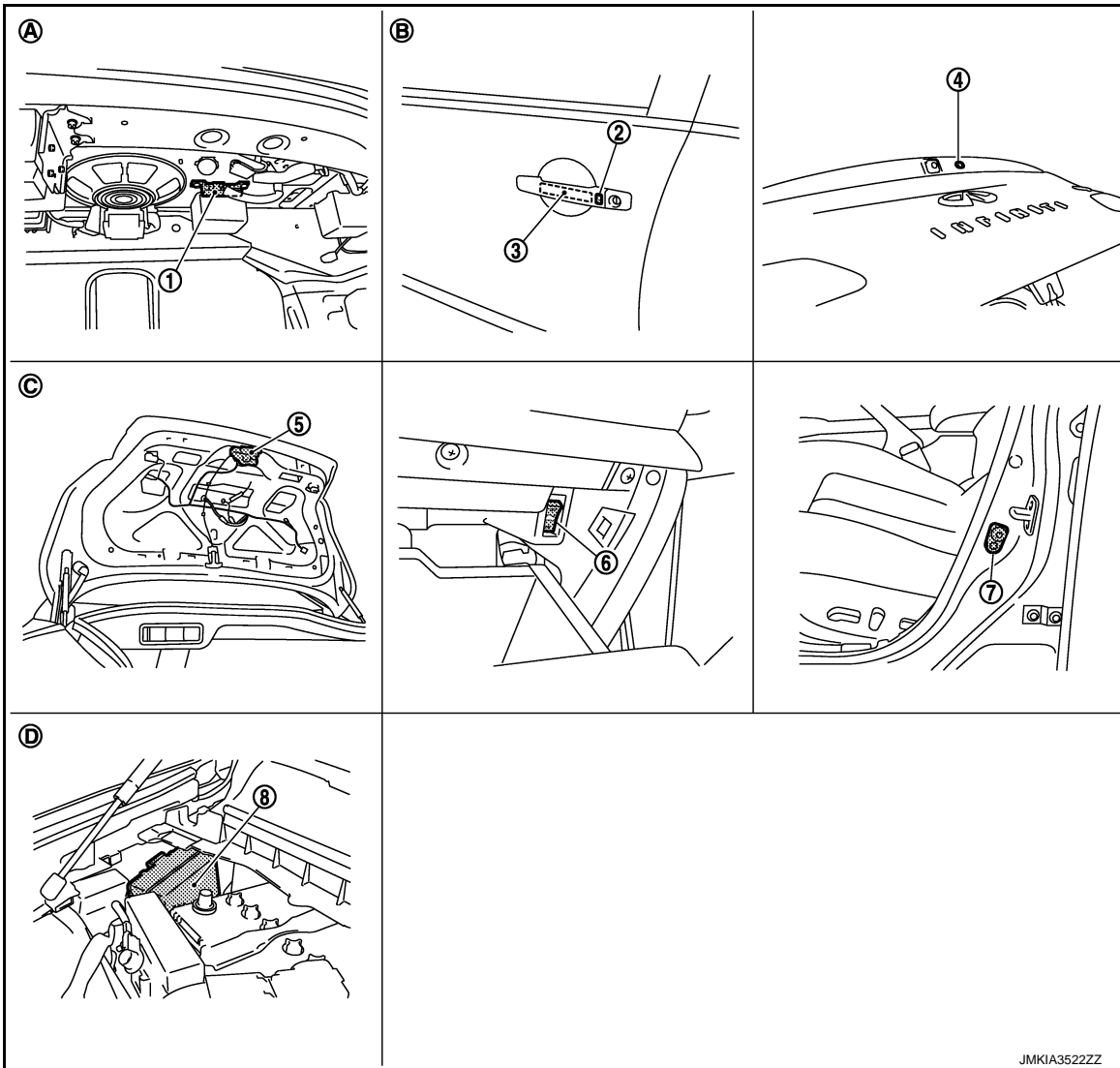
3. Front door lock assembly (driver side) D15
6. Remote keyless entry receiver M104
9. Unified meter and A/C amp. M66, M67

INTELLIGENT KEY SYSTEM

< SYSTEM DESCRIPTION >

- | | | |
|---|--|---|
| 10. Inside key antenna (instrument center) M131 | 11. Key slot M22 | 12. A/T shift selector (detention switch)* M137 |
| 13. Outside key antenna (rear bumper) B63 | | |
| A. Dash side lower (passenger side) | B. View with trunk side finisher removed | C. View with driver side door finisher removed |
| D. View with rear door finisher LH removed | E. View with hood seal assembly removed | F. Engine room dash panel |
| G. View with console rear finisher removed | H. View with cluster lid C removed | I. View with center console assembly removed |
| J. View with rear bumper removed | | |

*: With A/T models



- | | | |
|---|---|--|
| 1. Inside key antenna (trunk room) B49 | 2. Front outside handle LH (request switch) D13 | 3. Front outside handle LH (outside key antenna) D14 |
| 4. Trunk lid opener request switch B304 | 5. Trunk lid lock assembly B303 | 6. Trunk lid opener cancel switch M105 |
| 7. Front door switch (driver side) B16 | 8. IPDM E/R E5, E6 | |
| A. View with trunk front finisher removed | B. View with driver side door | C. View with trunk lid finisher removed |
| D. Engine room dash panel (RH) | | |

JMKIA3522ZZ

A
B
C
D
E
F
G
H
I
J
L
M
N
O
P

DLK

INTELLIGENT KEY SYSTEM

< SYSTEM DESCRIPTION >

INTELLIGENT KEY SYSTEM : Component Description

INFOID:000000008293773

Item	Function
BCM	Controls the Intelligent Key system.
IPDM E/R	Sounds horn and blinks head lamp via CAN communication between BCM.
Door lock actuator	Outputs lock/unlock signal from BCM and locks/unlocks each door.
Fuel lid lock actuator	Performs lock/unlock of the fuel lid.
Door switch	Inputs door open/close condition to BCM.
Remote keyless entry receiver	Receives lock/unlock signal from the Intelligent Key, and then transmits to BCM.
Request switch	Inputs lock/unlock operation to BCM.
Key slot	Inputs key insert/remove signal to BCM.
Intelligent Key	Transmits button operation to remote keyless entry receiver.
Outside key antenna	Detects if Intelligent Key is outside the vehicle.
Inside key antenna	Detects if Intelligent Key is inside the vehicle.
Unlock sensor	Detects door lock condition of driver door.
A/T shift selector (detention switch)*	Detects the P range position of A/T selector lever.
Unified meter and A/C amp.	Transmits vehicle sleep signal to CAN communication line.
Combination meter	Display, buzzer (combination meter) and KEY warning lamp are installed to combination meter.
Trunk lid opener actuator	Transmits trunk open operation to BCM.
Trunk lid opener request switch	Inputs lock/unlock operation to BCM.
Trunk lid opener cancel switch	Cancel the trunk open operation.
Trunk room lamp switch	Inputs trunk lid open/close condition to BCM.
Intelligent Key warning buzzer	Warns the user of the lock/unlock condition and inappropriate operations with the buzzer sound.
Hazard warning lamp	Warns the user of the door and trunk lid open/close condition and inappropriate operations with the lamps blink.
TCM*	Transmits shift position signal to BCM via CAN communication line.
Push-button ignition switch	Inputs push-button ignition switch ON/OFF condition to BCM.

*: With A/T models

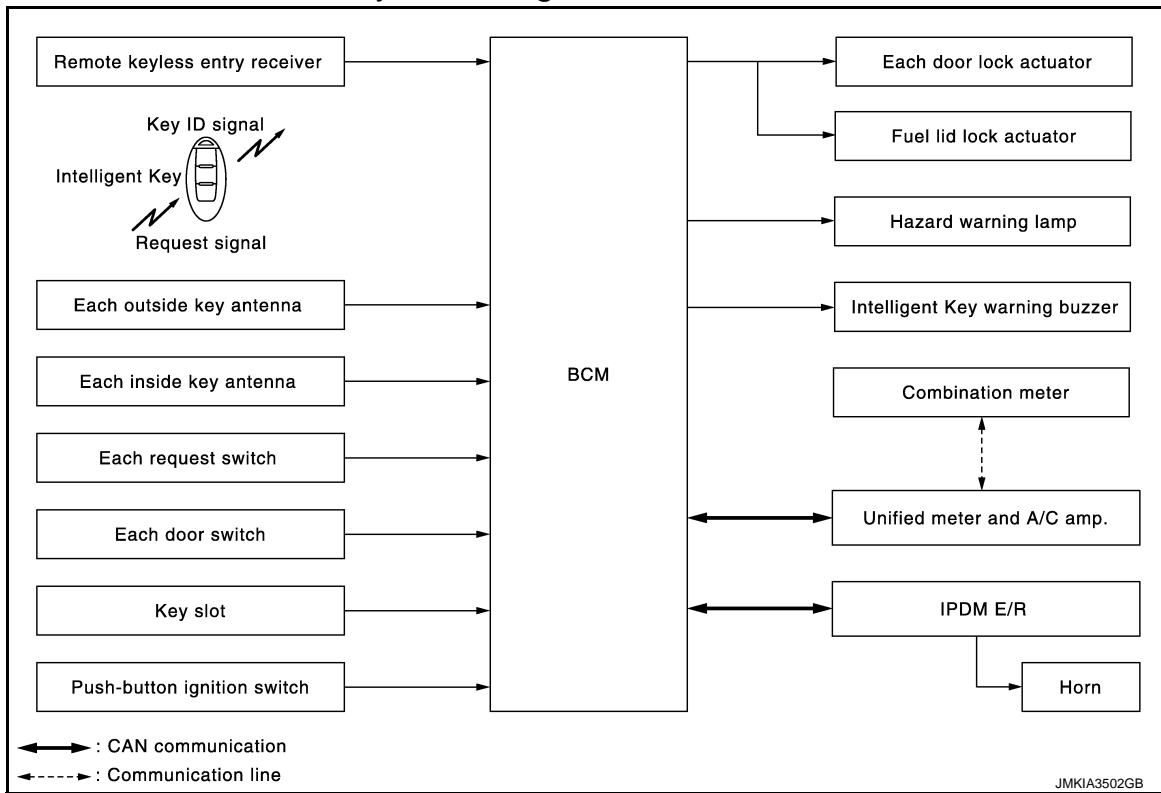
DOOR LOCK FUNCTION

INTELLIGENT KEY SYSTEM

< SYSTEM DESCRIPTION >

DOOR LOCK FUNCTION : System Diagram

INFOID:000000008293774



A
B
C
D
E
F
G
H

DOOR LOCK FUNCTION : System Description

INFOID:000000008293775

Only when pressing the request switch, it is possible to lock and unlock the door by carrying the Intelligent Key.

OPERATION DESCRIPTION

- When the BCM detects that each door request switch is pressed, it starts the outside key antenna and inside key antenna corresponding to the pressed door request switch and transmits the request signal to the Intelligent Key. And then, check that the Intelligent Key is near the door.
- If the Intelligent Key is within the outside key antenna detection area, it receives the request signal and transmits the key ID signal to the BCM via remote keyless entry receiver.
- BCM receives the key ID signal and compares it with the registered key ID.
- BCM lock/unlock each door and fuel lid and sounds Intelligent Key buzzer warning (lock: 2 time, unlock: 1 times) at the same time as a reminder.

DLK

OPERATION CONDITION

If the following conditions are satisfied, door lock/unlock operation is performed if the request switch is operated.

Each request switch operation	Operation condition
Lock operation	<ul style="list-style-type: none"> • All doors are closed • P position warning is not activated • Panic alarm is not activated • Intelligent Key is outside the vehicle • Intelligent Key is within outside key antenna detection area
Unlock Operation	<ul style="list-style-type: none"> • Panic alarm is not activated • Intelligent Key is outside the vehicle • Intelligent Key is within outside key antenna detection area *

*: Even with a registered Intelligent Key remaining inside the vehicle, door locks can be unlocked from outside of the vehicle with a spare Intelligent Key as long as key IDs are different.

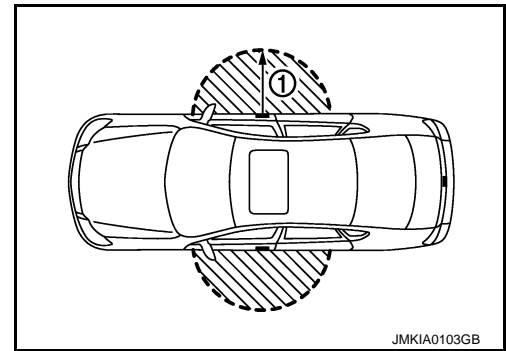
L
M
N
O
P

OUTSIDE KEY ANTENNA DETECTION AREA

INTELLIGENT KEY SYSTEM

< SYSTEM DESCRIPTION >

The outside key antenna detection area of door lock/unlock function is in the range of approximately 80 cm (31.50 in) surrounding the driver, passenger door handles (1). However, this operating range depends on the ambient conditions.



SELECTIVE UNLOCK FUNCTION

Lock Operation

When an LOCK signal is sent from door request switch (driver side or passenger side), all doors and fuel lid will be locked.

Unlock Operation

- When an UNLOCK signal from driver side door request switch is transmitted, driver side door and fuel lid unlocks. When another UNLOCK signal is transmitted within 60 seconds, passenger side door unlock.
- When an UNLOCK signal from passenger side door request switch is transmitted, passenger side door unlock. When another UNLOCK signal is transmitted within 60 seconds, driver side door and fuel lid unlocks.

Selective unlock operation mode can be changed using "DOOR LOCK-UNLOCK SET" mode in "WORK SUPPORT". Refer to [DLK-51, "DOOR LOCK : CONSULT Function \(BCM - DOOR LOCK\)"](#).

HAZARD AND BUZZER REMINDER FUNCTION

During lock, unlock, operation by each request switch, the hazard warning lamps and Intelligent Key warning buzzer will blink or honk as a reminder.

When doors are locked, unlocked by each request switch, BCM honks Intelligent Key warning buzzer as a reminder and blinks.

Operating Function of Hazard and Buzzer Reminder

Operation	Hazard warning lamp blinks	Intelligent Key warning buzzer honk
Unlock	Once	Once
Lock	Twice	Twice

Hazard and buzzer reminder does not operate if ignition switch ON position.

How to Change Hazard and Buzzer Reminder Mode

Refer to [DLK-53, "INTELLIGENT KEY : CONSULT Function \(BCM - INTELLIGENT KEY\)"](#).

AUTO DOOR LOCK FUNCTION

When all doors are locked, ignition switch is in OFF position and key switch is OFF (Intelligent Key is not inserted in key slot), doors are unlocked with door request switch

When BCM does not receive the following signals within 60 seconds, all doors and fuel lid are locked.

- Door switch is ON (door is opened)
- Door is locked
- Ignition switch is ON (ignition switch is pressed)
- Key switch is ON (Intelligent Key is inserted in key slot)

Auto door lock mode can be changed by "AUTO LOCK SET" mode in "WORK SUPPORT". Refer to [DLK-53, "INTELLIGENT KEY : CONSULT Function \(BCM - INTELLIGENT KEY\)"](#).

INTERIOR ROOM LAMP CONTROL

Intelligent Key system turns on interior lamp by receiving UNLOCK signal from door request switch. For detailed description. Refer to [INL-6, "System Description"](#).

LIST OF OPERATION RELATED PARTS

Parts marked with × are the parts related to operation.

INTELLIGENT KEY SYSTEM

< SYSTEM DESCRIPTION >

Door lock function	Intelligent Key	Key slot	Remote keyless entry receiver	Door switch	Door request switch	Door lock actuator and fuel lid lock actuator	Inside key antenna	Outside key antenna	Intelligent Key warning buzzer	CAN communication system	BCM	Hazard warning lamp	Push-button ignition switch	Combination meter
Door lock/unlock function by request switch	×	×	×	×	×	×	×	×			×			
Hazard and buzzer reminder function for door lock/unlock operation									×	×	×	×		×
Selective unlock function by request switch	×				×	×	×	×			×			
Auto door lock function	×	×		×	×	×					×		×	

A
B
C
D
E
F
G
H
I
J
L
M
N
O
P

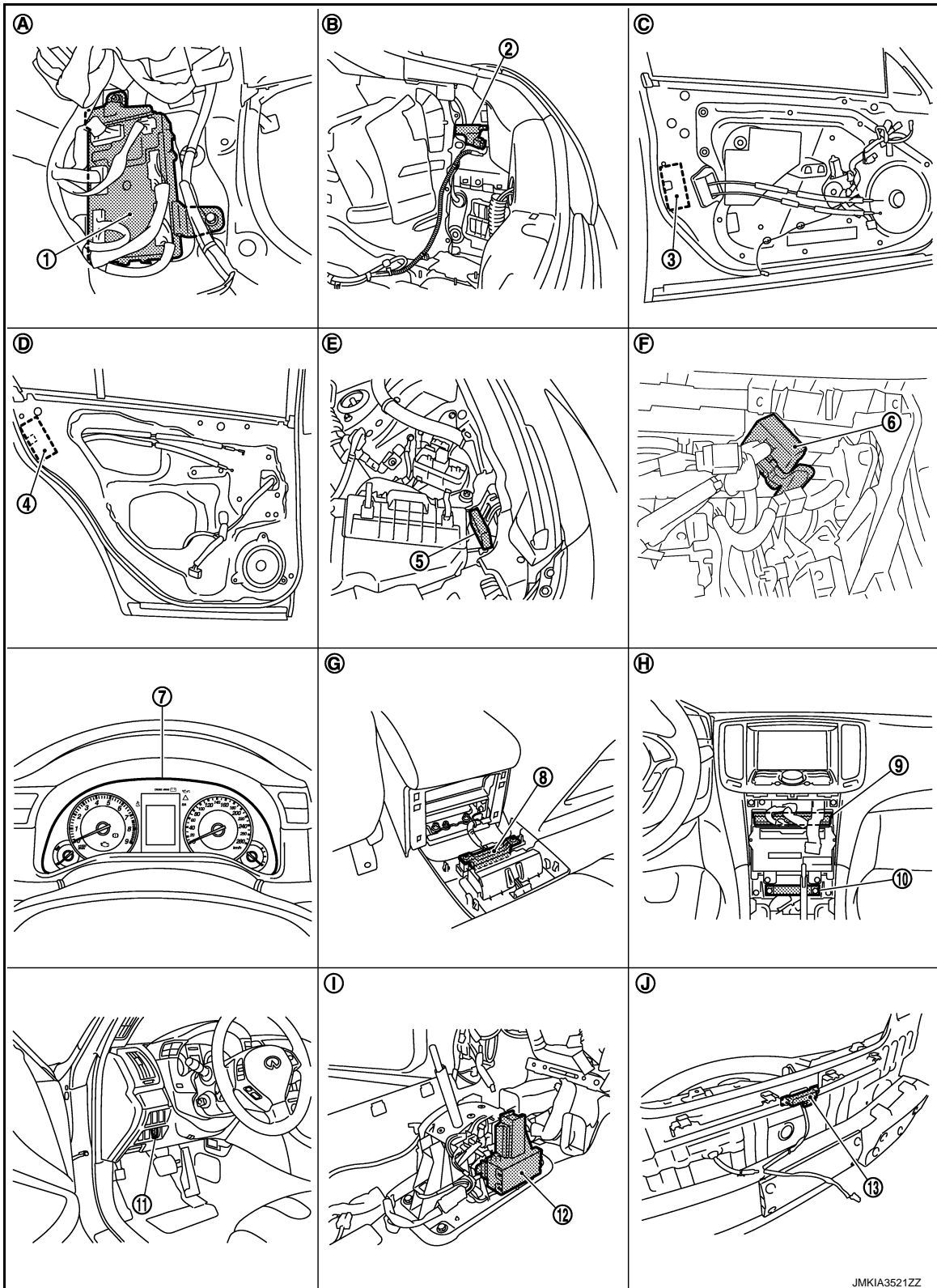
DLK

INTELLIGENT KEY SYSTEM

< SYSTEM DESCRIPTION >

DOOR LOCK FUNCTION : Component Parts Location

INFOID:00000008293776



1. BCM M118, M119, M120, M121, M122, M123
4. Rear door lock assembly LH D55
7. Combination meter M53

2. Fuel lid lock actuator B242
5. Intelligent Key warning buzzer E57
8. Inside key antenna (console) M146
12. Inside key antenna (console) M146

3. Front door lock assembly (driver side) D15
6. Remote keyless entry receiver M104
9. Unified meter and A/C amp. M66, M67

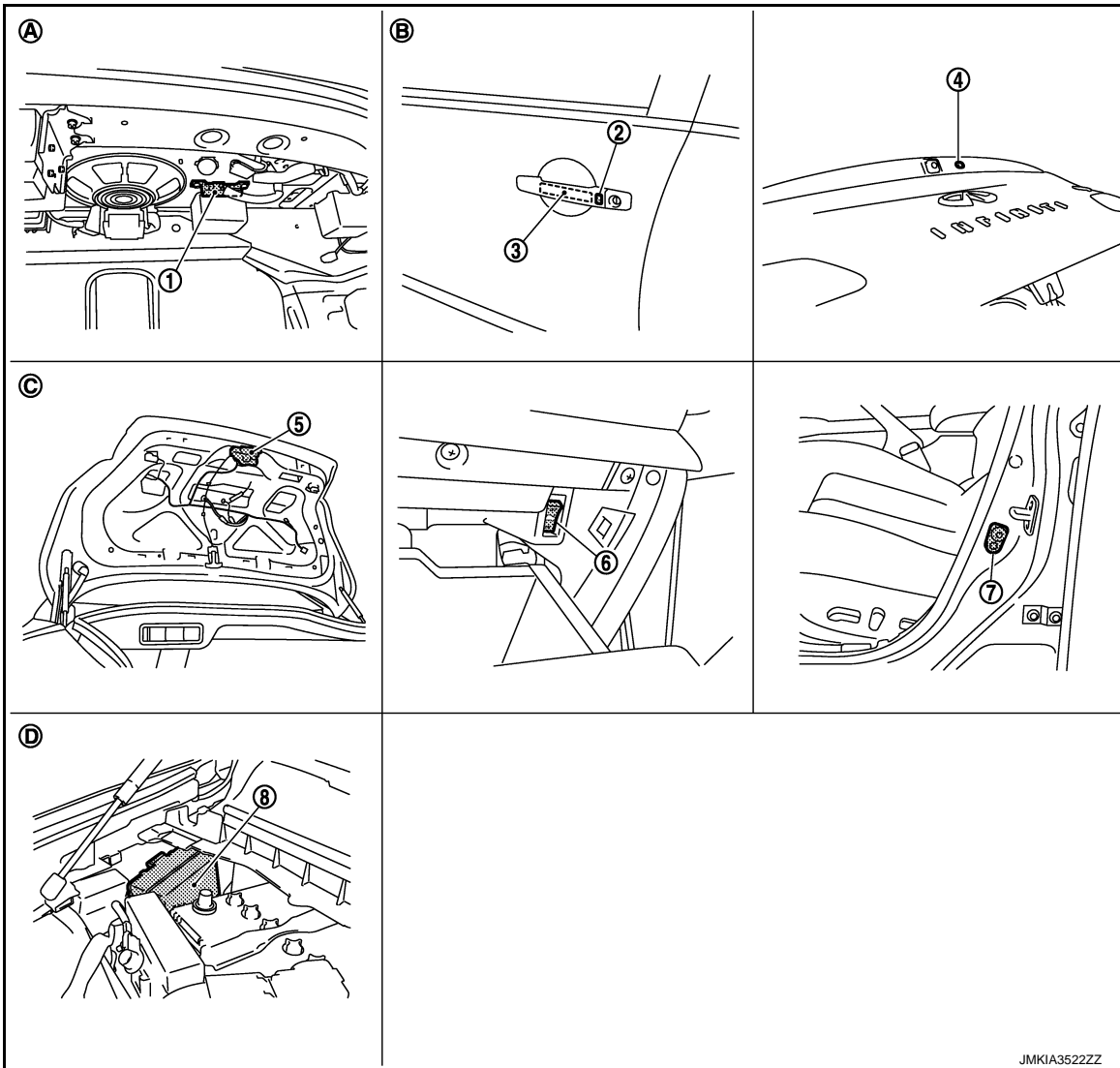
JMKIA3521ZZ

INTELLIGENT KEY SYSTEM

< SYSTEM DESCRIPTION >

- | | | |
|---|--|---|
| 10. Inside key antenna (instrument center) M131 | 11. Key slot M22 | 12. A/T shift selector (detention switch)* M137 |
| 13. Outside key antenna (rear bumper) B63 | | |
| A. Dash side lower (passenger side) | B. View with trunk side finisher removed | C. View with driver side door finisher removed |
| D. View with rear door finisher LH removed | E. View with hood seal assembly removed | F. Engine room dash panel |
| G. View with console rear finisher removed | H. View with cluster lid C removed | I. View with center console assembly removed |
| J. View with rear bumper removed | | |

*: With A/T models



- | | | |
|---|---|--|
| 1. Inside key antenna (trunk room) B49 | 2. Front outside handle LH (request switch) D13 | 3. Front outside handle LH (outside key antenna) D14 |
| 4. Trunk lid opener request switch B304 | 5. Trunk lid lock assembly B303 | 6. Trunk lid opener cancel switch M105 |
| 7. Front door switch (driver side) B16 | 8. IPDM E/R E5, E6 | |
| A. View with trunk front finisher removed | B. View with driver side door | C. View with trunk lid finisher removed |
| D. Engine room dash panel (RH) | | |

JMKIA3522ZZ

A
B
C
D
E
F
G
H
I
J
L
M
N
O

DLK

INTELLIGENT KEY SYSTEM

< SYSTEM DESCRIPTION >

DOOR LOCK FUNCTION : Component Description

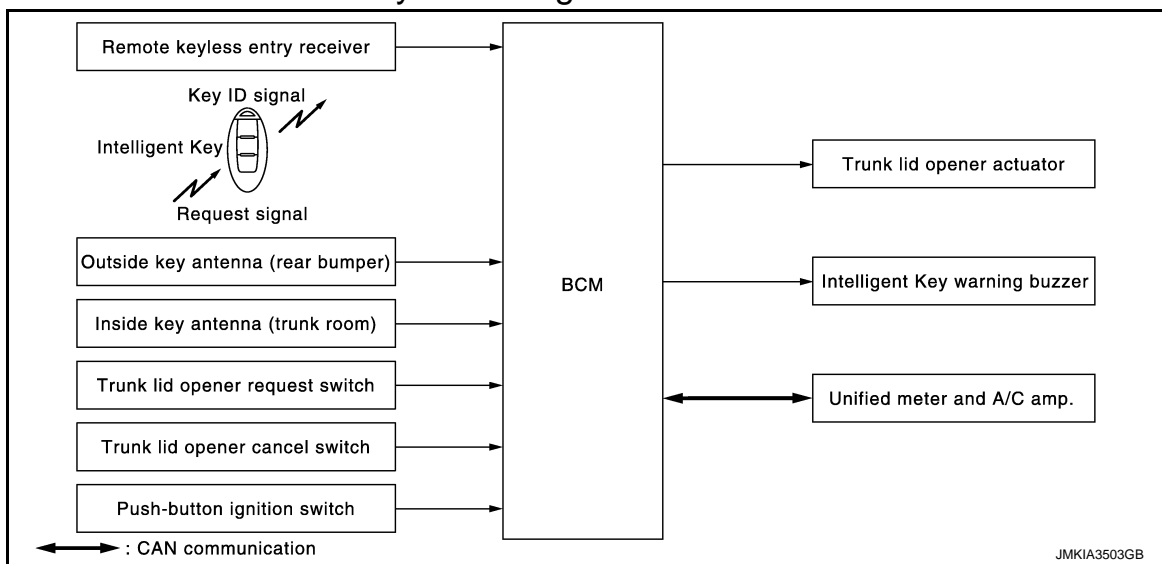
INFOID:000000008293777

Item	Function
BCM	Controls the door lock function.
IPDM E/R	Sounds horn and blinks head lamp via CAN communication between BCM.
Door lock actuator	Outputs lock/unlock signal from BCM and locks/unlocks each door.
Door switch	Inputs door open/close condition to BCM.
Remote keyless entry receiver	Receives lock/unlock signal from the Intelligent Key, and then transmits to BCM.
Request switch	Inputs lock/unlock operation to BCM.
Intelligent Key	Transmits button operation to remote keyless entry receiver.
Outside key antenna	Detects if Intelligent Key is outside the vehicle.
Inside key antenna	Detects if Intelligent Key is inside the vehicle.
Fuel lid lock actuator	Outputs lock/unlock signal from BCM and lock/unlocks fuel filler lid.
Combination meter	Hazard warning lamp is installed to combination meter.
Unified meter and A/C amp.	Transmits hazard warning lamp signal to BCM via CAN communication line.
Push-button ignition switch	Inputs push-button ignition switch ON/OFF condition to BCM.
Key slot	Inputs key insert/remove signal to BCM.
Intelligent Key warning buzzer	Warns the user of the lock/unlock condition and inappropriate operations with the buzzer sound.
Hazard warning lamp	Warns the user of the door lock/unlock condition and in appropriate operations with the lamps blink.

TRUNK OPEN FUNCTION

TRUNK OPEN FUNCTION : System Diagram

INFOID:000000008293778



TRUNK OPEN FUNCTION : System Description

INFOID:000000008293779

TRUNK LID OPENER

- When the BCM detects that trunk lid opener request switch is pressed, it activates the outside key antenna (rear bumper) and inside key antenna and transmits the request signal to the Intelligent Key. And then, checks that the Intelligent Key is near the trunk lid.
- If the Intelligent Key is within the outside key antenna detection area, it receives the request signal and transmits the key ID signal to the BCM via remote keyless entry receiver.
- BCM receives the key ID signal and compares it with the registered key ID.
- BCM transmits the trunk open request signal and sounds Intelligent Key warning buzzer 4 times at the same time (buzzer reminder). However, buzzer reminder does not operate when ignition switch is in the ON position.

INTELLIGENT KEY SYSTEM

< SYSTEM DESCRIPTION >

- When BCM receives the trunk open request signal, it operates the trunk lid opener actuator and opens the trunk.

How to change buzzer reminder mode

With CONSULT

Refer to [DLK-53, "INTELLIGENT KEY : CONSULT Function \(BCM - INTELLIGENT KEY\)"](#).

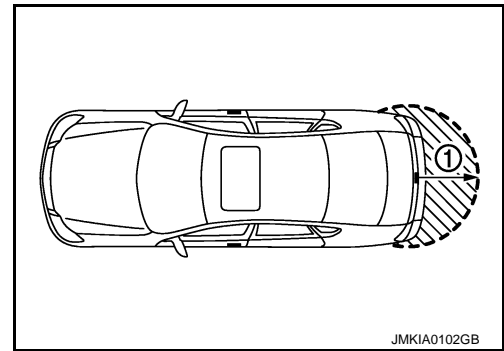
OPERATION CONDITION

If the following conditions are not satisfied, trunk open operation is not performed even if the trunk lid opener request switch is operated.

Trunk lid opener request switch operation	Operation condition
Trunk open operation	<ul style="list-style-type: none"> Vehicle speed is less than 5 km/h (3 MPH) Intelligent Key is within outside key antenna (rear bumper) detection area Trunk cancel switch is ON Key reminder functions operate (trunk) Vehicle security system is disarmed or in the per-armed phase.

OUTSIDE KEY ANTENNA DETECTION AREA

The outside key antenna detection area of trunk open function is in the range of approximately 80 cm (31.50 in) surrounding trunk opener request switch (1). However, this operating range depends on the ambient conditions.



LIST OF OPERATION RELATED PARTS

Parts marked with × are the parts related to operation.

Trunk open function	Intelligent Key	Remote keyless entry receiver	Trunk room lamp switch	Trunk opener request switch	Trunk lid opener actuator	Inside key antenna	Outside key antenna (Trunk)	Intelligent Key warning buzzer	CAN communication system	BCM	Hazard warning lamp	Trunk lid opener cancel switch
Trunk open function by the trunk opener request switch	×	×	×	×	×	×	×		×	×		×
Buzzer reminder for trunk open operation								×	×	×		

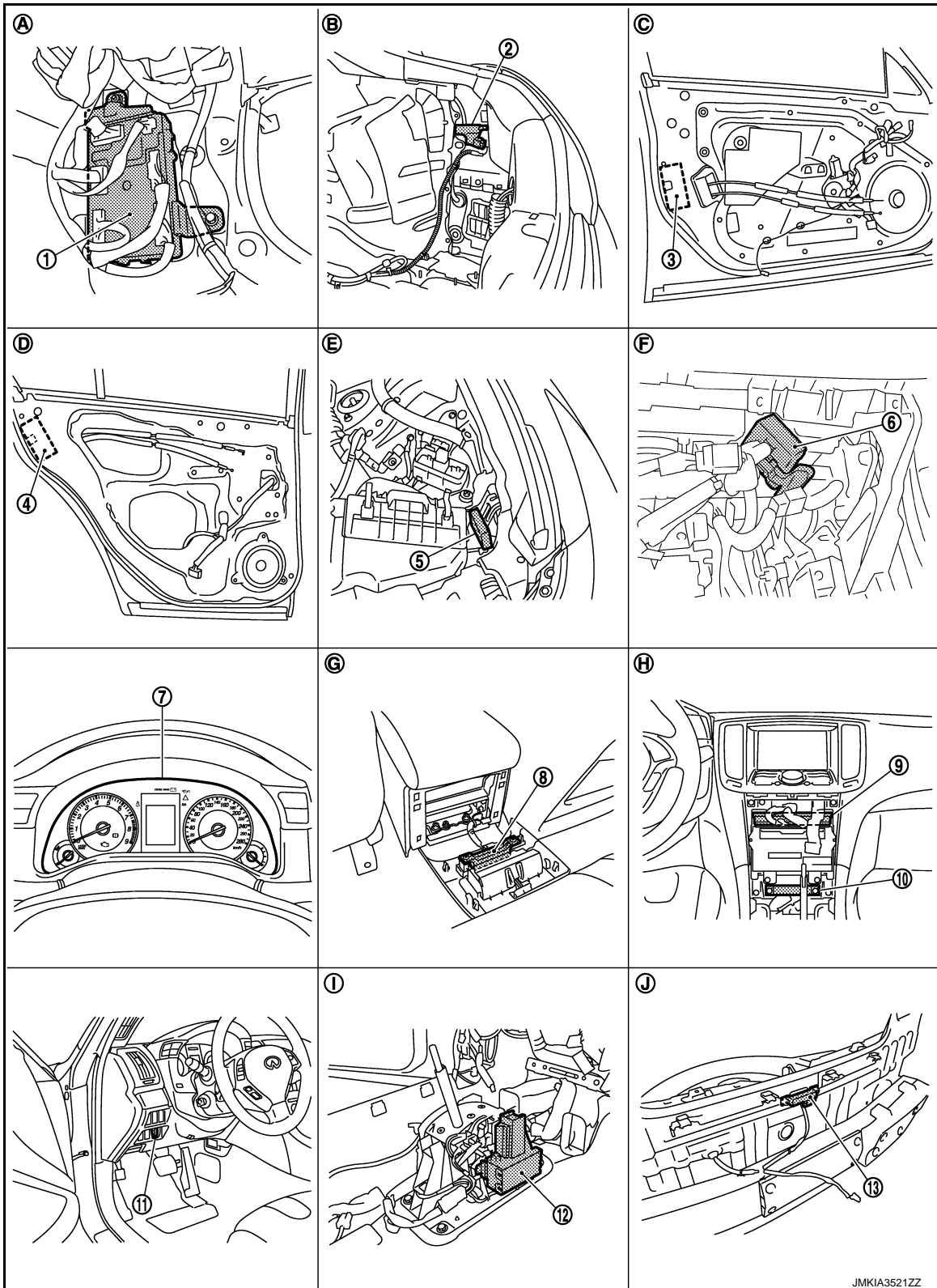
DLK

INTELLIGENT KEY SYSTEM

< SYSTEM DESCRIPTION >

TRUNK OPEN FUNCTION : Component Parts Location

INFOID:00000008293780



1. BCM M118, M119, M120, M121, M122, M123
4. Rear door lock assembly LH D55
7. Combination meter M53

2. Fuel lid lock actuator B242
5. Intelligent Key warning buzzer E57
8. Inside key antenna (console) M146
12. Inside key antenna (console) M146

3. Front door lock assembly (driver side) D15
6. Remote keyless entry receiver M104
9. Unified meter and A/C amp. M66, M67

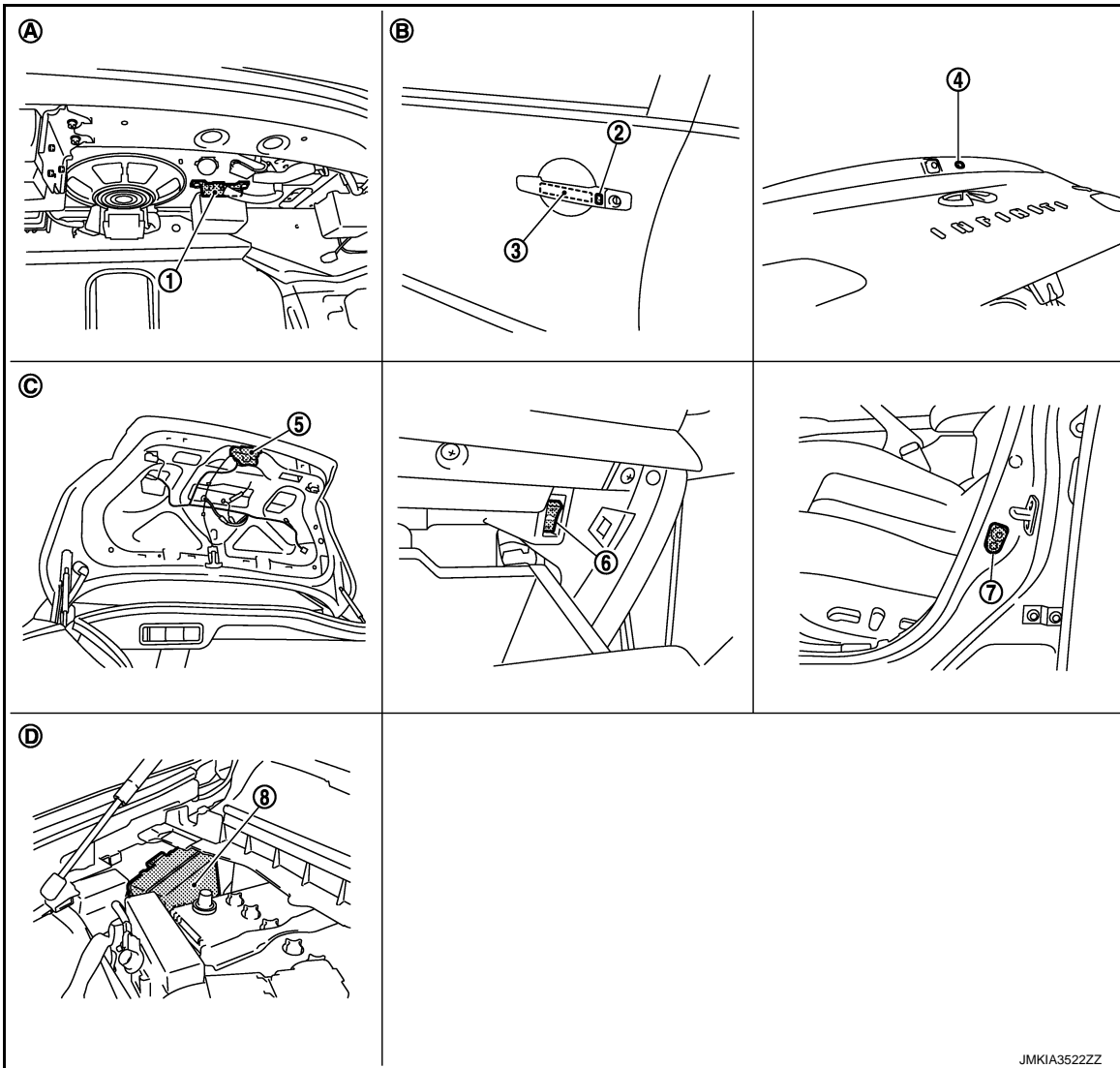
JMKIA3521ZZ

INTELLIGENT KEY SYSTEM

< SYSTEM DESCRIPTION >

- | | | |
|---|--|---|
| 10. Inside key antenna (instrument center) M131 | 11. Key slot M22 | 12. A/T shift selector (detention switch)* M137 |
| 13. Outside key antenna (rear bumper) B63 | | |
| A. Dash side lower (passenger side) | B. View with trunk side finisher removed | C. View with driver side door finisher removed |
| D. View with rear door finisher LH removed | E. View with hood seal assembly removed | F. Engine room dash panel |
| G. View with console rear finisher removed | H. View with cluster lid C removed | I. View with center console assembly removed |
| J. View with rear bumper removed | | |

*: With A/T models



- | | | |
|---|---|--|
| 1. Inside key antenna (trunk room) B49 | 2. Front outside handle LH (request switch) D13 | 3. Front outside handle LH (outside key antenna) D14 |
| 4. Trunk lid opener request switch B304 | 5. Trunk lid lock assembly B303 | 6. Trunk lid opener cancel switch M105 |
| 7. Front door switch (driver side) B16 | 8. IPDM E/R E5, E6 | |
| A. View with trunk front finisher removed | B. View with driver side door | C. View with trunk lid finisher removed |
| D. Engine room dash panel (RH) | | |

A
B
C
D
E
F
G
H
I
J
DLK
L
M
N
O
P

DLK

JMKIA3522ZZ

INTELLIGENT KEY SYSTEM

< SYSTEM DESCRIPTION >

TRUNK OPEN FUNCTION : Component Description

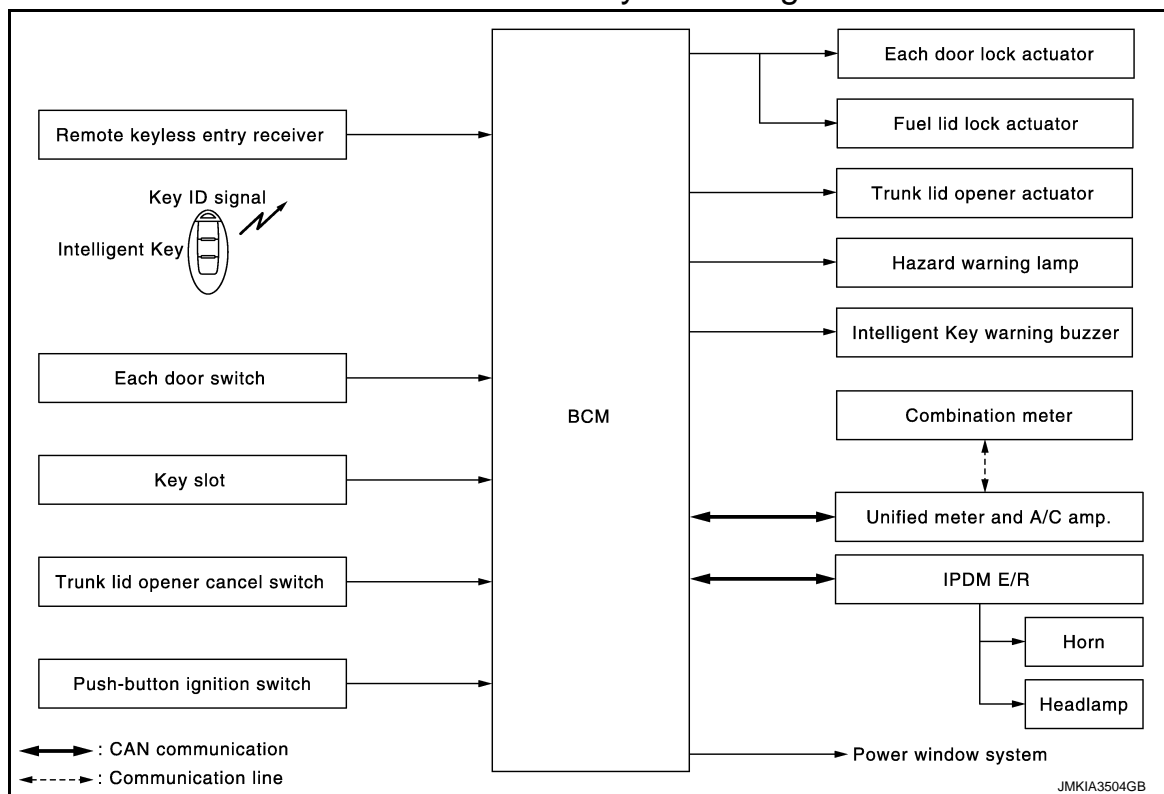
INFOID:000000008293781

Item	Function
BCM	Controls the trunk open function.
Trunk lid opener actuator	Transmits trunk open operation to BCM.
Unified meter and A/C amp.	Transmits vehicle sleep signal to CAN communication line.
Remote keyless entry receiver	Receives lock/unlock signal from the Intelligent Key, and then transmits to BCM.
Trunk lid opener request switch	Inputs lock/unlock operation to BCM.
Intelligent Key	Transmits button operation to remote keyless entry receiver.
Outside key antenna (rear bumper)	Detects if Intelligent Key is outside the vehicle.
Inside key antenna (trunk room)	Detects if Intelligent Key is inside the vehicle.
Trunk lid opener cancel switch	Cancels the trunk open operation.
Intelligent Key warning buzzer	Warns the user of the open condition and inappropriate operations with the buzzer sound.
Push-button ignition switch	Inputs push-button ignition switch ON/OFF condition to BCM.

REMOTE KEYLESS ENTRY FUNCTION

REMOTE KEYLESS ENTRY FUNCTION : System Diagram

INFOID:000000008293782



REMOTE KEYLESS ENTRY FUNCTION : System Description

INFOID:000000008293783

The Intelligent Key has the same functions as the remote control entry system. Therefore, it can be used in the same manner as the remote controller by operating the door lock/unlock button.

OPERATION

Remote keyless entry system controls operation of the following items.

- Door lock/unlock
- Selective unlock
- Trunk lid open
- Hazard and horn reminder
- Auto door lock

INTELLIGENT KEY SYSTEM

< SYSTEM DESCRIPTION >

- Panic alarm
- Power window down
- Interior lamp

OPERATION AREA

To check that the Intelligent Key works normally, use within 1 m (3 ft) range of each doors, however the operable range may differ according to surroundings.

DOOR LOCK/UNLOCK FUNCTION

- When door lock/unlock button of the Intelligent Key is pressed, lock signal or unlock signal transmitted from Intelligent Key to BCM via remote keyless entry receiver.
- When BCM receives the door lock/unlock signal, it operates all door lock actuators and fuel lid lock actuator the hazard lamp (lock: 2 times, unlock: 1 time) and horn chirp signal to IPDM E/R at the same time as a reminder.
- IPDM E/R honks horn (lock: 2 times) as a reminder

OPERATION CONDITION

Remote controller operation	Operation condition	Operation
Unlock	More than 3 seconds are passed since intelligent Key is removed from key slot.	All doors and fuel lid unlock

SELECTIVE UNLOCK FUNCTION

- When an LOCK signal is transmitted from Intelligent Key, all doors and fuel lid are locked.
- When an UNLOCK signal is transmitted from Intelligent Key once, driver side door and fuel lid are unlocked.
- Then, if an UNLOCK signal is transmitted from Intelligent Key again within 60 seconds, all other doors are unlocked.

Selective unlock operation mode can be changed using "DOOR LOCK-UNLOCK SET" mode in "WORK SUPPORT". Refer to [DLK-51, "DOOR LOCK : CONSULT Function \(BCM - DOOR LOCK\)"](#).

TRUNK OPEN FUNCTION

- When trunk button of the Intelligent Key is pressed, the trunk open signal is transmitted from the Intelligent Key to the BCM via remote keyless entry receiver.
- When BCM receives the trunk open request signal, it operates the trunk lid opener actuator and opens the trunk.

OPERATION CONDITION

Remote controller operation	Operation condition	Operation
Trunk open	<ul style="list-style-type: none"> • Press and hold the trunk open button for 0.5 second or more* • Ignition switch is except the ON position • Trunk lid opener cancel switch is ON • Vehicle speed is less than 5 km/h (3 MPH) 	Trunk open

*: Pattern of trunk open button can be selected using CONSULT. Refer to [DLK-53, "INTELLIGENT KEY : CONSULT Function \(BCM - INTELLIGENT KEY\)"](#).

HAZARD AND HORN REMINDER FUNCTION

When doors are locked or unlocked by Intelligent Key, BCM blinks hazard warning lamps as a reminder and transmits horn chirp signal to IPDM E/R. IPDM E/R sounds horn as a reminder.

The hazard and horn reminder has a horn chirp mode (C mode) and a non-horn chirp mode (S mode).

Operating Function of Hazard and Horn Reminder

Intelligent Key operation	C mode			S mode		
	Lock	Unlock	Trunk open	Lock	Unlock	Trunk open
Hazard warning lamp blinks	Twice	Once	—	Twice	—	—
Horn sound	Once	—	—	—	—	—

Hazard and horn reminder does not operate in the following condition.

- Ignition switch position is ON
- Door is open

How to change hazard and horn reminder mode

INTELLIGENT KEY SYSTEM

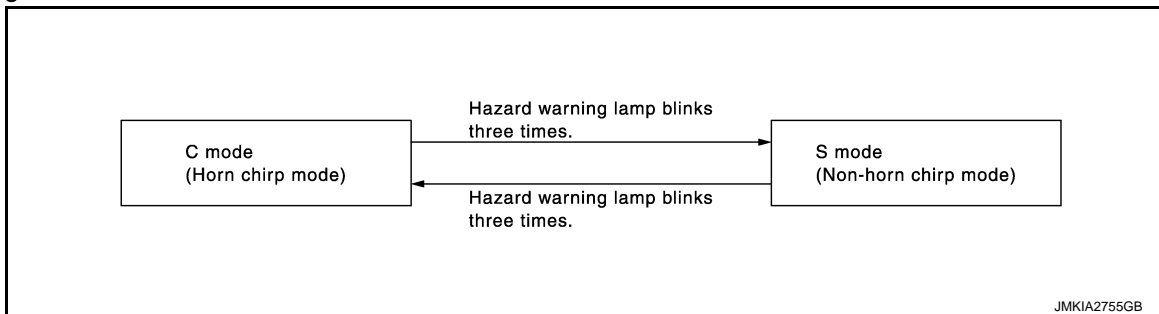
< SYSTEM DESCRIPTION >

Ⓟ With CONSULT

Refer to [DLK-53, "INTELLIGENT KEY : CONSULT Function \(BCM - INTELLIGENT KEY\)"](#).

ⓧ Without CONSULT

When LOCK and UNLOCK signals are sent from the Intelligent Key for more than 2 seconds at the same time, the hazard and horn reminder mode is changed and hazard warning lamp blinks and horn sounds as per the following items:



AUTO DOOR LOCK FUNCTION

When all doors and fuel lid are locked, ignition switch is OFF (ignition switch is not pressed) and key switch is OFF (Intelligent Key is not inserted in key slot), doors and fuel lid are unlocked with Intelligent Key button. When BCM does not receive the following signals within 60 seconds, all doors and fuel lid are locked.

- Door switch is ON (door is open)
- Door is locked
- Ignition switch is ON
- Key switch is ON (Intelligent Key is inserted in key slot)

Auto door lock mode can be changed by the "AUTO LOCK SET" mode in "WORK SUPPORT". Refer to [DLK-53, "INTELLIGENT KEY : CONSULT Function \(BCM - INTELLIGENT KEY\)"](#).

PANIC ALARM FUNCTION

When ignition switch is OFF (ignition switch is not pressed) and key switch is OFF (Intelligent Key is not inserted in key slot), BCM receives PANIC ALARM signal from Intelligent Key.

BCM turns on and off headlamp intermittently and transmits theft warning horn signal to IPDM E/R. Then, IPDM E/R turns on and off horn intermittently.

The headlamp blinks and the horn sounds intermittently.

The alarm automatically turns off:

- After 25 seconds
- When BCM receives any signal from Intelligent Key

Panic alarm function mode can be changed by "PANIC ALARM SET" mode in "WORK SUPPORT". Refer to [DLK-53, "INTELLIGENT KEY : CONSULT Function \(BCM - INTELLIGENT KEY\)"](#).

KEYLESS POWER WINDOW DOWN (OPEN) FUNCTION

Driver side and passenger side power windows open when the unlock button on Intelligent Key is activated and kept pressed for more than 3 seconds with the ignition switch OFF. The windows keep opening if the unlock button is continuously pressed.

The power window opening stops when the following operations are performed:

- When the unlock button is kept pressed more than 15 seconds.
- When the ignition switch is turned ON while the power window opening is operated.
- When the unlock button is released.

Keyless power window down operation mode can be changed by "PW DOWN SET" mode in "WORK SUPPORT". Refer to [DLK-53, "INTELLIGENT KEY : CONSULT Function \(BCM - INTELLIGENT KEY\)"](#).

INTERIOR ROOM LAMP CONTROL

Intelligent Key system turns on interior lamp by receiving UNLOCK signal from Intelligent Key. For detailed description, refer to [INL-6, "System Description"](#).

LIST OF OPERATION RELATED PARTS

Parts marked with × are the parts related to operation.

INTELLIGENT KEY SYSTEM

< SYSTEM DESCRIPTION >

Remote keyless entry functions	Intelligent Key	Key slot	Door request switch (Driver, Passenger)	Door switch	Door lock actuator	Intelligent Key warning buzzer	CAN communication system	BCM	Combination meter	Unified meter and A/C amp.	Hazard warning lamp	Horn	IPDM E/R	Head lamp	Trunk lid opener actuator
Door lock/unlock function by remote control button	×	×		×	×		×	×							
Trunk open function by remote control button	×					×	×	×		×					×
Hazard and horn reminder function	×					×	×	×	×		×	×	×		
Selective unlock function	×			×	×		×	×							
Keyless power window down (open) function	×	×					×	×							
Auto door lock function	×	×		×			×	×							
Panic alarm function	×		×				×	×				×	×	×	

A
B
C
D
E
F
G
H
I
J
L
M
N
O
P

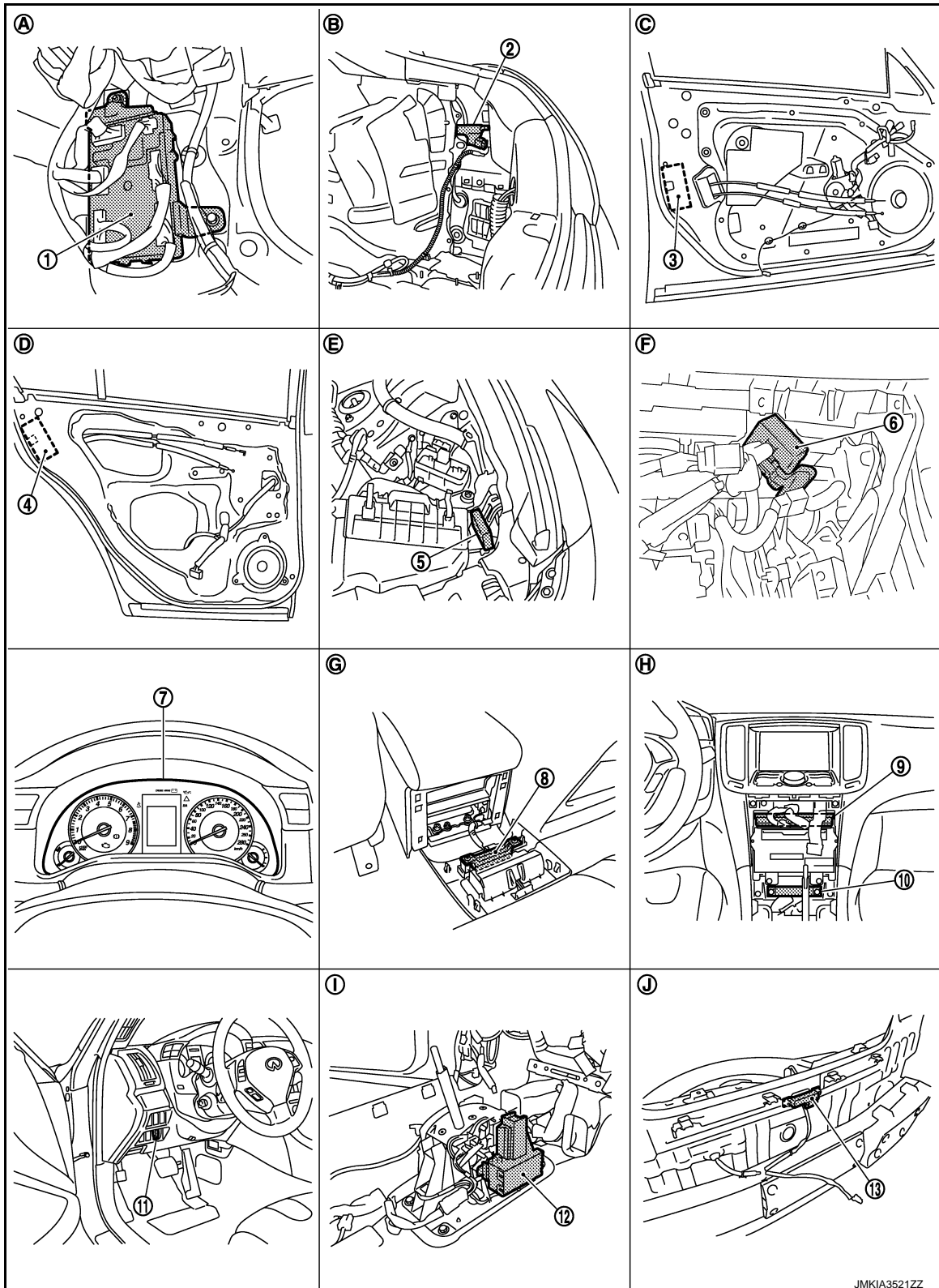
DLK

INTELLIGENT KEY SYSTEM

< SYSTEM DESCRIPTION >

REMOTE KEYLESS ENTRY FUNCTION : Component Parts Location

INFOID:00000008293784



1. BCM M118, M119, M120, M121, M122, M123
4. Rear door lock assembly LH D55
7. Combination meter M53

2. Fuel lid lock actuator B242
5. Intelligent Key warning buzzer E57
8. Inside key antenna (console) M146
12. Intelligent Key warning buzzer E57

3. Front door lock assembly (driver side) D15
6. Remote keyless entry receiver M104
9. Unified meter and A/C amp. M66, M67

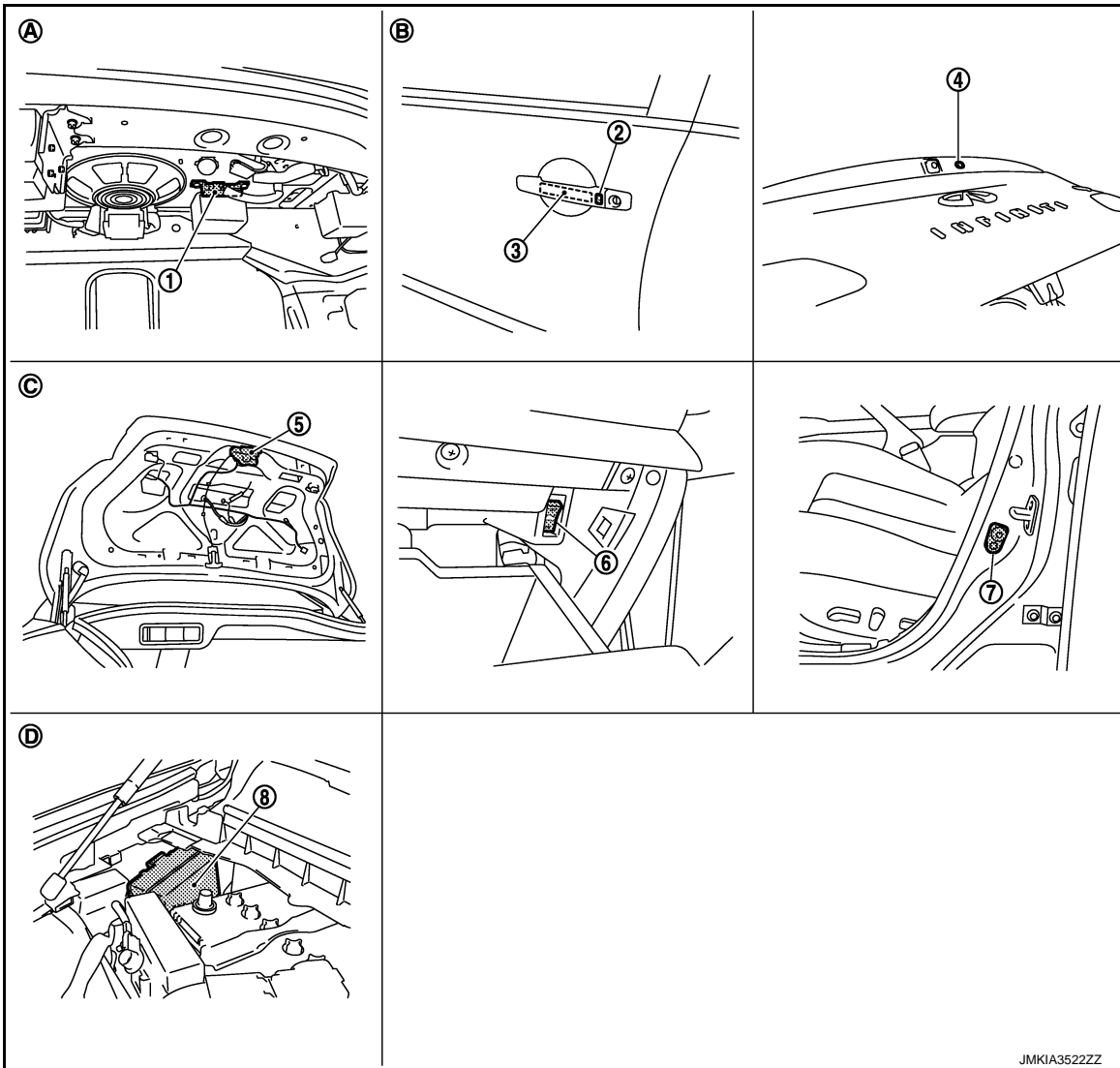
JMKIA3521ZZ

INTELLIGENT KEY SYSTEM

< SYSTEM DESCRIPTION >

- | | | |
|---|--|---|
| 10. Inside key antenna (instrument center) M131 | 11. Key slot M22 | 12. A/T shift selector (detention switch)* M137 |
| 13. Outside key antenna (rear bumper) B63 | | |
| A. Dash side lower (passenger side) | B. View with trunk side finisher removed | C. View with driver side door finisher removed |
| D. View with rear door finisher LH removed | E. View with hood seal assembly removed | F. Engine room dash panel |
| G. View with console rear finisher removed | H. View with cluster lid C removed | I. View with center console assembly removed |
| J. View with rear bumper removed | | |

*: With A/T models



- | | | |
|---|---|--|
| 1. Inside key antenna (trunk room) B49 | 2. Front outside handle LH (request switch) D13 | 3. Front outside handle LH (outside key antenna) D14 |
| 4. Trunk lid opener request switch B304 | 5. Trunk lid lock assembly B303 | 6. Trunk lid opener cancel switch M105 |
| 7. Front door switch (driver side) B16 | 8. IPDM E/R E5, E6 | |
| A. View with trunk front finisher removed | B. View with driver side door | C. View with trunk lid finisher removed |
| D. Engine room dash panel (RH) | | |

INTELLIGENT KEY SYSTEM

< SYSTEM DESCRIPTION >

REMOTE KEYLESS ENTRY FUNCTION : Component Description

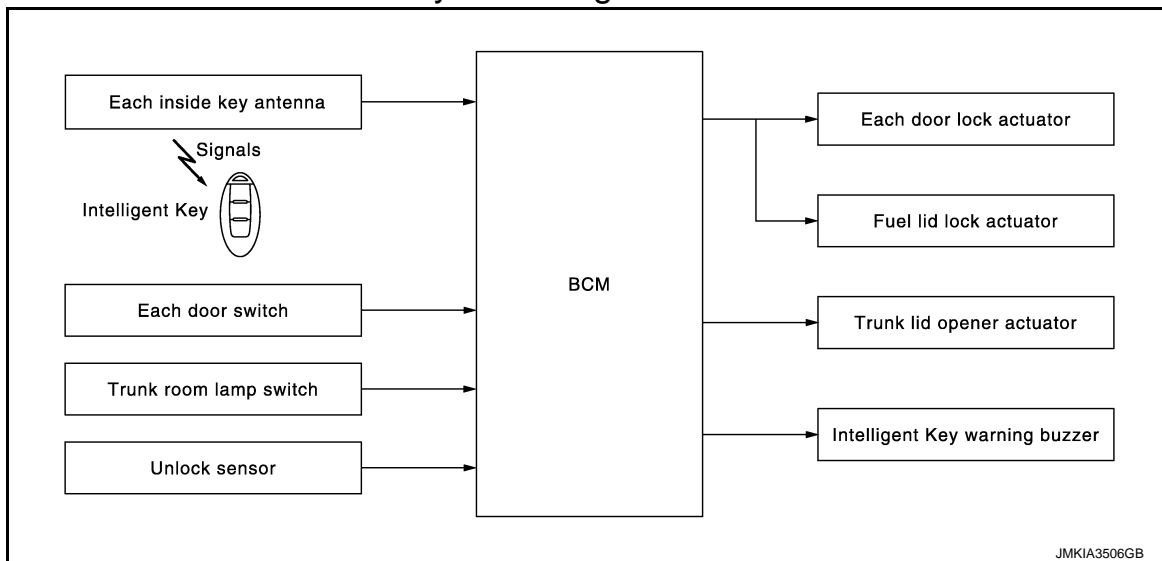
INFOID:000000008293785

Item	Function
BCM	Controls the door lock function and trunk open function.
IPDM E/R	Sounds horn and blinks head lamp via CAN communication between BCM.
Door lock actuator	Outputs lock/unlock signal from BCM and locks/unlocks each door.
Door switch	Inputs door open/close condition to BCM.
Key slot	Inputs key insert/remove signal to BCM.
Remote keyless entry receiver	Receives lock/unlock signal from the Intelligent Key, and then transmits to BCM.
Combination meter	Hazard warning lamp is installed to combination meter.
Unified meter and A/C amp.	Transmits vehicle sleep signal to CAN communication line.
Intelligent Key	Transmits button operation to remote keyless entry receiver.
Trunk lid opener actuator	Transmits trunk lid open operation to BCM.
Trunk lid opener cancel switch	Cancels the trunk open operation.
Fuel lid lock actuator	Performs lock/unlock of the fuel lid.
Push-button ignition switch	Input push-button ignition switch ON/OFF condition to BCM.
Intelligent Key warning buzzer	Warns the user of the lock/unlock condition and inappropriate operations with the buzzer sound.
Hazard warning lamp	Warns the user of the door lock/unlock condition and in appropriate operations with the lamps blink.

KEY REMINDER FUNCTION

KEY REMINDER FUNCTION : System Diagram

INFOID:000000008293786



KEY REMINDER FUNCTION : System Description

INFOID:000000008293787

Key reminder is the function that prevents the key from being left in the vehicle. Key reminder has the following 3 functions.

INTELLIGENT KEY SYSTEM

< SYSTEM DESCRIPTION >

Key remainder function	Operation condition	Operation	
Driver door closed*	Right after driver side door is closed under the following conditions <ul style="list-style-type: none"> • Door lock operation is performed • Driver side door is opene • Driver side door is in unlock state 	All doors unlock	A
Door is open or closed	Right after all doors are closed under the following conditions <ul style="list-style-type: none"> • Intelligent Key is inside the vehicle • Any door is opene • All doors are locked by door lock and unlock switch or door lock knob 	<ul style="list-style-type: none"> • All doors unlock • Honk Intelligent Key warning buzzer 	B
Trunk is closed	Right after trunk is closed under the following conditions <ul style="list-style-type: none"> • Intelligent Key is inside trunk room • All doors are closed • All doors are locked 	<ul style="list-style-type: none"> • Trunk open • Honk Intelligent Key warning buzzer 	C
			D

*:If the door closing impact shocks the door lock knob, or contacts against baggage with the door lock knob might activate the door locks accidentally but unlock operation is perform in these cases.

CAUTION:

- The above function operates when the Intelligent Key is inside the vehicle. However, there may be times when the Intelligent Key cannot be detected, and this function does operate when the Intelligent Key is on the instrument panel, rear parcel shelf, or in the glove box. Also, this system sometimes does not operate if the Intelligent Key is in the door pocket for the open door.

A
B
C
D
E
F
G
H
I
J
L
M
N
O
P

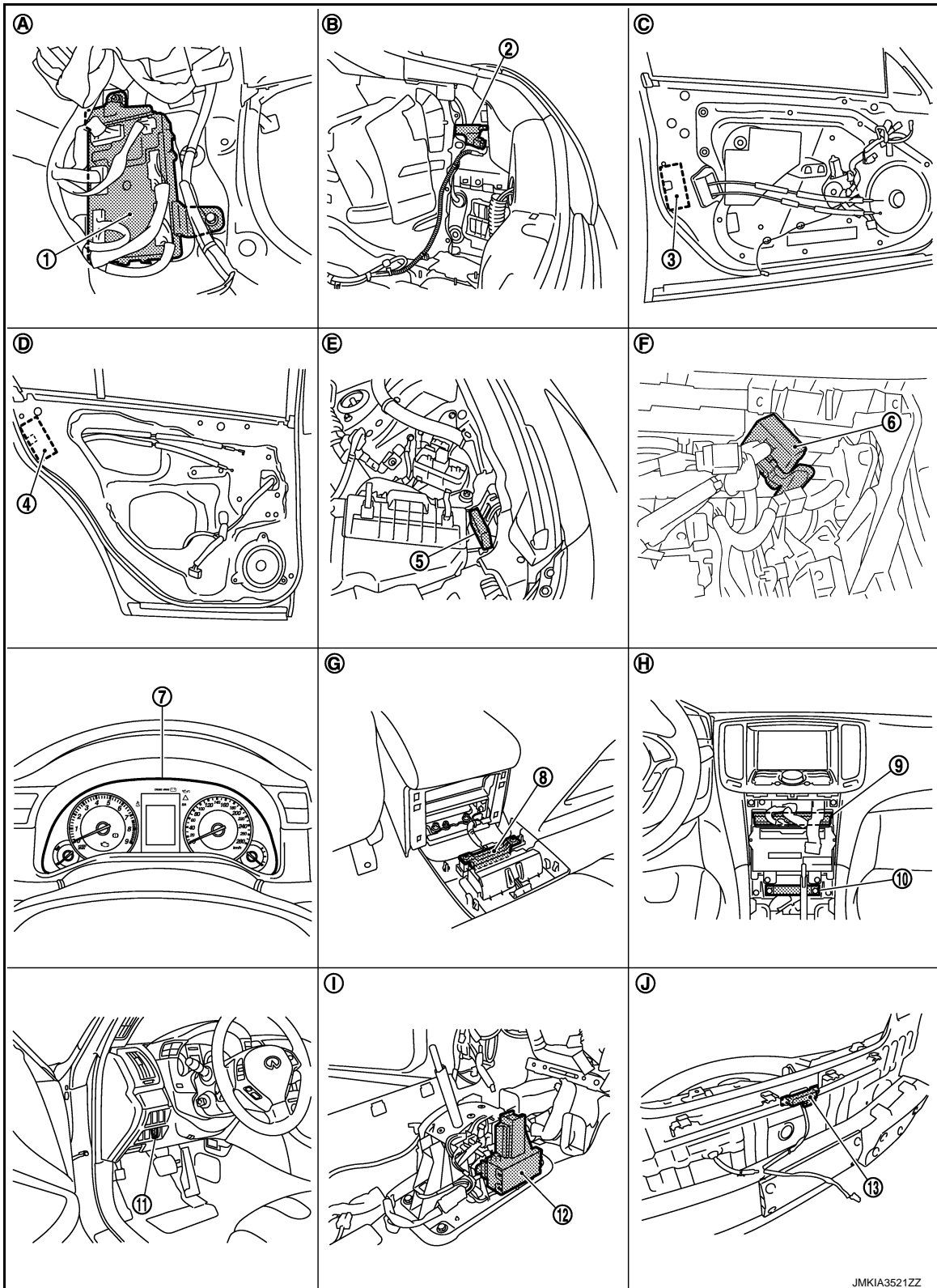
DLK

INTELLIGENT KEY SYSTEM

< SYSTEM DESCRIPTION >

KEY REMINDER FUNCTION : Component Parts Location

INFOID:000000008293788



1. BCM M118, M119, M120, M121, M122, M123
4. Rear door lock assembly LH D55
7. Combination meter M53

2. Fuel lid lock actuator B242
5. Intelligent Key warning buzzer E57
8. Inside key antenna (console) M146
12. Inside key antenna (console) M146

3. Front door lock assembly (driver side) D15
6. Remote keyless entry receiver M104
9. Unified meter and A/C amp. M66, M67

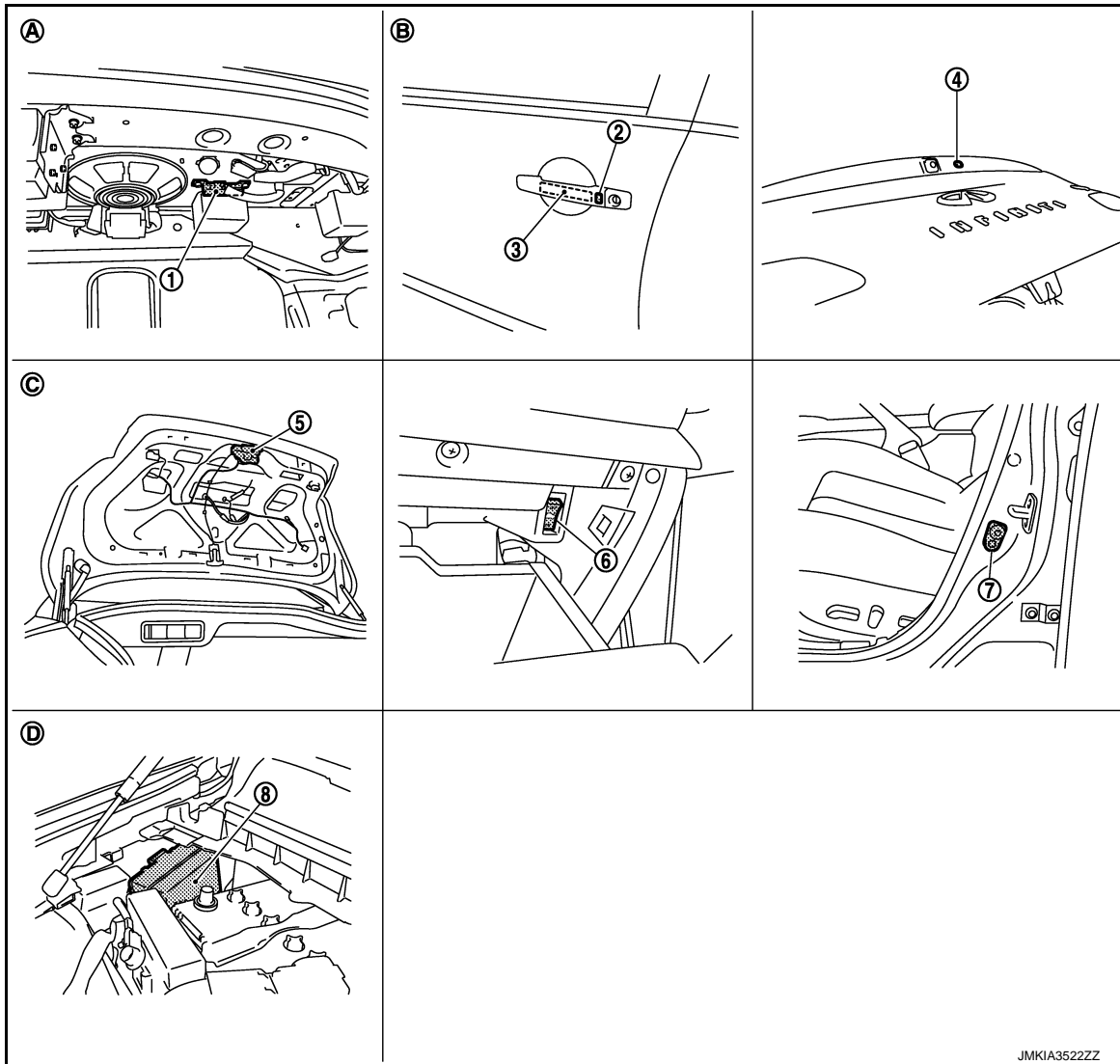
JMKIA3521ZZ

INTELLIGENT KEY SYSTEM

< SYSTEM DESCRIPTION >

- | | | |
|---|--|---|
| 10. Inside key antenna (instrument center) M131 | 11. Key slot M22 | 12. A/T shift selector (detention switch)* M137 |
| 13. Outside key antenna (rear bumper) B63 | | |
| A. Dash side lower (passenger side) | B. View with trunk side finisher removed | C. View with driver side door finisher removed |
| D. View with rear door finisher LH removed | E. View with hood seal assembly removed | F. Engine room dash panel |
| G. View with console rear finisher removed | H. View with cluster lid C removed | I. View with center console assembly removed |
| J. View with rear bumper removed | | |

*: With A/T models



- | | | |
|---|---|--|
| 1. Inside key antenna (trunk room) B49 | 2. Front outside handle LH (request switch) D13 | 3. Front outside handle LH (outside key antenna) D14 |
| 4. Trunk lid opener request switch B304 | 5. Trunk lid lock assembly B303 | 6. Trunk lid opener cancel switch M105 |
| 7. Front door switch (driver side) B16 | 8. IPDM E/R E5, E6 | |
| A. View with trunk front finisher removed | B. View with driver side door | C. View with trunk lid finisher removed |
| D. Engine room dash panel (RH) | | |

WARNING FUNCTION

A
B
C
D
E
F
G
H
I
J
L
M
N
O

DLK

INTELLIGENT KEY SYSTEM

< SYSTEM DESCRIPTION >

WARNING FUNCTION : System Description

INFOID:000000008293789

OPERATION DESCRIPTION

The warning function are as per the following items and are given to the user as warning information and warnings using combinations of Intelligent Key warning buzzer, KEY warning lamp, key slot indicator and information display in combination meter.

- Intelligent Key system malfunction
- OFF position warning
- P position warning
- ACC warning
- Take away warning
- Door lock operation warning
- Key warning
- Intelligent Key insert information
- Engine start information
- Steering lock information
- Intelligent Key low battery warning
- Key ID warning

OPERATION CONDITION

Once the following condition from below is established, alert or warning is executed.

Warning/Information functions		Operation procedure
Intelligent Key system malfunction		When a malfunction is detected on BCM, "KEY" warning lamp illuminates.
OFF position warning	For internal	When condition A, B or condition C is satisfied <ul style="list-style-type: none"> • Condition A <ul style="list-style-type: none"> - Ignition switch: ACC position - Door switch (driver side): ON (Door is open) • Condition B <ul style="list-style-type: none"> - Turn ignition switch from ON to OFF while door is open • Condition C <ul style="list-style-type: none"> - Intelligent Key is inserted in key slot - Door switch (driver side): ON (Door is open)
	For external*	OFF position warning (For internal) is in active mode, driver side door is closed. NOTE: OFF position (For external) active only when each of the sequence occurs as below: P position warning → ACC warning → OFF position warning (For internal) → OFF position warning (For internal)
P position warning*	For internal	<ul style="list-style-type: none"> • Shift position: Except P position. • Engine is running to stopped (Ignition switch is ON to OFF).
	For external	Warning is activated when driver door is closed from the open position while the P position warning (for inside vehicle) is ON.
ACC warning*		<ul style="list-style-type: none"> • When P position warning is in active mode, shift position changes P position. • Ignition switch: ACC position.
Take away warning	Door is open to close	<ul style="list-style-type: none"> • Ignition switch: Except LOCK position. • Door switch: ON to OFF (Door is open to close). • Intelligent Key cannot be detected inside the vehicle.
	Door is open	<ul style="list-style-type: none"> • Door switch: ON (Door is open). • Key ID verification every 5 seconds when registered Intelligent Key cannot be detected inside the vehicle.
	Push button-ignition switch operation	<ul style="list-style-type: none"> • Ignition switch: Except LOCK position. • Press push-button ignition switch. • Intelligent Key cannot be detected inside the vehicle.
	Intelligent Key is removed from key slot	<ul style="list-style-type: none"> • When Intelligent Key is removed from key slot, Intelligent Key cannot be detected inside the vehicle.
Door lock operation warning		When door lock operation is requested while door lock operating condition of door request switch not satisfied.

INTELLIGENT KEY SYSTEM

< SYSTEM DESCRIPTION >


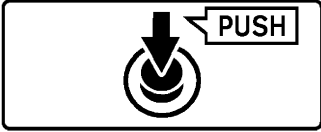
Warning/Information functions		Operation procedure
Key warning		<ul style="list-style-type: none"> Ignition switch is OFF position. Driver side door switch: ON (Driver side door is open). Intelligent Key is inserted in key slot.
Intelligent Key insert information		<ul style="list-style-type: none"> Door switch: ON to OFF (Door is open to close). Intelligent Key is out of key slot. Intelligent Key cannot be detected inside the vehicle.
Engine start information	Ignition switch is ON position	<ul style="list-style-type: none"> Ignition switch: ON position. Shift position: P position.* Engine is stopped.
	Ignition switch is except ON position	<ul style="list-style-type: none"> Ignition switch: Except ON position. Shift position: P position.* Intelligent Key is inserted in key slot or Intelligent Key can be detected inside the vehicle.
Steering lock information		When steering lock cannot be released after ignition switch is turned ON.
Intelligent Key low battery warning		When Intelligent Key is low battery, BCM is detected after ignition switch is turned ON.
Key ID warning		When registered intelligent Key cannot be detected inside the vehicle after ignition switch is turned ON.

*: M/T models do not apply.

WARNING METHOD

The following table shows the alarm or warning methods with chime.

Information display (combination meter), "KEY" indicator or key slot indicator when the warning conditions are met.






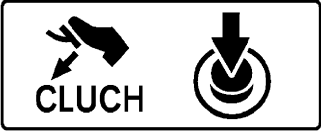
Warning/Information functions		"KEY" warning lamp	Information display (combination meter)	Key slot indicator	Warning chime	
					Combination meter buzzer	Intelligent Key warning buzzer
Intelligent Key system malfunction		Illuminate	—	—	—	—
OFF position warning	For internal	—	—	—	Activate	—
	For external*	—	—	—	—	Activate
P position warning*	For internal	—	 JMKIA0037GB	—	Activate	—
	For external			—	—	Active
ACC warning*		—	 JMKIA0047GB	—	—	—

A
B
C
D
E
F
G
H
I
J
L
M
N
O
P

DLK

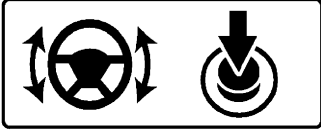

INTELLIGENT KEY SYSTEM

< SYSTEM DESCRIPTION >

Warning/Information functions		"KEY" warning lamp	Information display (combination meter)	Key slot indicator	Warning chime	
					Combination meter buzzer	Intelligent Key warning buzzer
Take away warning	Door is open to close	—	 <small>JMKIA0036GB</small>	Blink	Activate	Activate
	Door is open	—		Blink	—	—
	Push-ignition switch operation	—		Blink	Activate	—
	Intelligent Key is removed from key slot	—		Blink	—	—
Door lock operation warning	Request switch operation	—	—	—	—	Activate
Key ID warning		—	 <small>JMKIA0036GB</small>	—	—	—
Key warning		—	 <small>JMKIA0035GB</small>	Blink	Activate	—
Intelligent Key insert information		—	 <small>JMKIA0034GB</small>	Indicate	—	—
Engine start information	Automatic transmission models	—	 <small>JMKIA0032GB</small>	—	—	—
	Manual transmission models	—	 <small>JMKIA0049GB</small>	—	—	—

INTELLIGENT KEY SYSTEM

< SYSTEM DESCRIPTION >

Warning/Information functions	"KEY" warning lamp	Information display (combination meter)	Key slot indicator	Warning chime	
				Combination meter buzzer	Intelligent Key warning buzzer
Steering lock information	—	 <small>JMKIA0033GB</small>	—	—	—
Intelligent Key low battery warning	—	 <small>JMKIA0048GB</small>	—	—	—

*: M/T models do not apply.

LIST OF OPERATION RELATED PARTS

Parts marked with × are the parts related to operation.

Warning function	Intelligent Key	Key slot	Ignition switch	Door switch	Door request switch	Inside key antenna	Outside key antenna	Intelligent Key warning buzzer	Combination meter warning buzzer	CAN communication system	BCM	Combination meter display	Key slot indicator	Detention switch	"KEY" warning lamp
	Intelligent Key system malfunction										×	×			
OFF position warning				×					×	×	×				
				×				×			×				
P position warning			×						×	×	×	×		×	
ACC warning			×						×	×	×	×		×	
Take away warning	Door is open or close	×		×		×		×	×	×	×	×	×		
	Door is open	×		×		×				×	×	×	×		
	Push-button ignition switch operation	×		×		×		×	×	×	×	×	×		
	Intelligent Key is removed from key slot	×	×			×				×	×	×	×		
Door lock operation warning	×	×		×	×	×	×	×			×				
Key ID warning		×	×			×				×	×	×			
Key warning	×	×		×				×	×	×	×	×	×		
Intelligent Key insert information	×	×	×	×		×				×	×	×	×		

A
B
C
D
E
F
G
H
I
J
K
L
M
N
O
P

DLK

INTELLIGENT KEY SYSTEM

< SYSTEM DESCRIPTION >

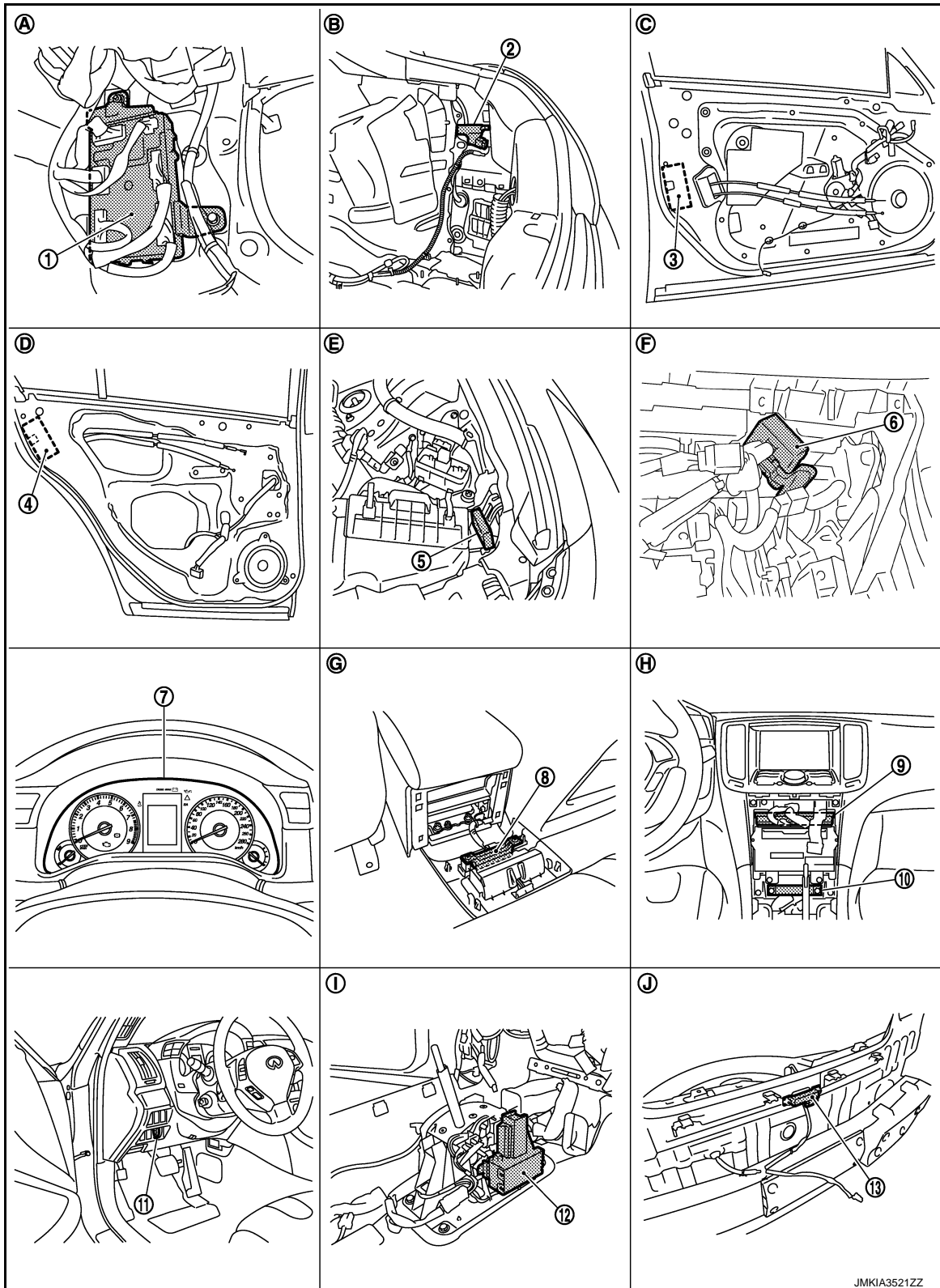
Warning function		Intelligent Key	Key slot	Ignition switch	Door switch	Door request switch	Inside key antenna	Outside key antenna	Intelligent Key warning buzzer	Combination meter warning buzzer	CAN communication system	BCM	Combination meter display	Key slot indicator	Detention switch	"KEY" warning lamp
Engine start information	Ignition switch is ON position	×	×	×			×				×	×	×		×	
	Ignition switch is except ON position	×	×	×			×				×	×	×			
Steering lock information				×							×	×	×			
Intelligent Key low battery warning		×					×				×	×	×			

INTELLIGENT KEY SYSTEM

< SYSTEM DESCRIPTION >

WARNING FUNCTION : Component Parts Location

INFOID:000000008293790



1. BCM M118, M119, M120, M121, M122, M123
4. Rear door lock assembly LH D55
7. Combination meter M53

2. Fuel lid lock actuator B242
5. Intelligent Key warning buzzer E57
8. Inside key antenna (console) M146

3. Front door lock assembly (driver side) D15
6. Remote keyless entry receiver M104
9. Unified meter and A/C amp. M66, M67

JMKIA3521ZZ

A
B
C
D
E
F
G
H
I
J
K
L
M
N
O
P

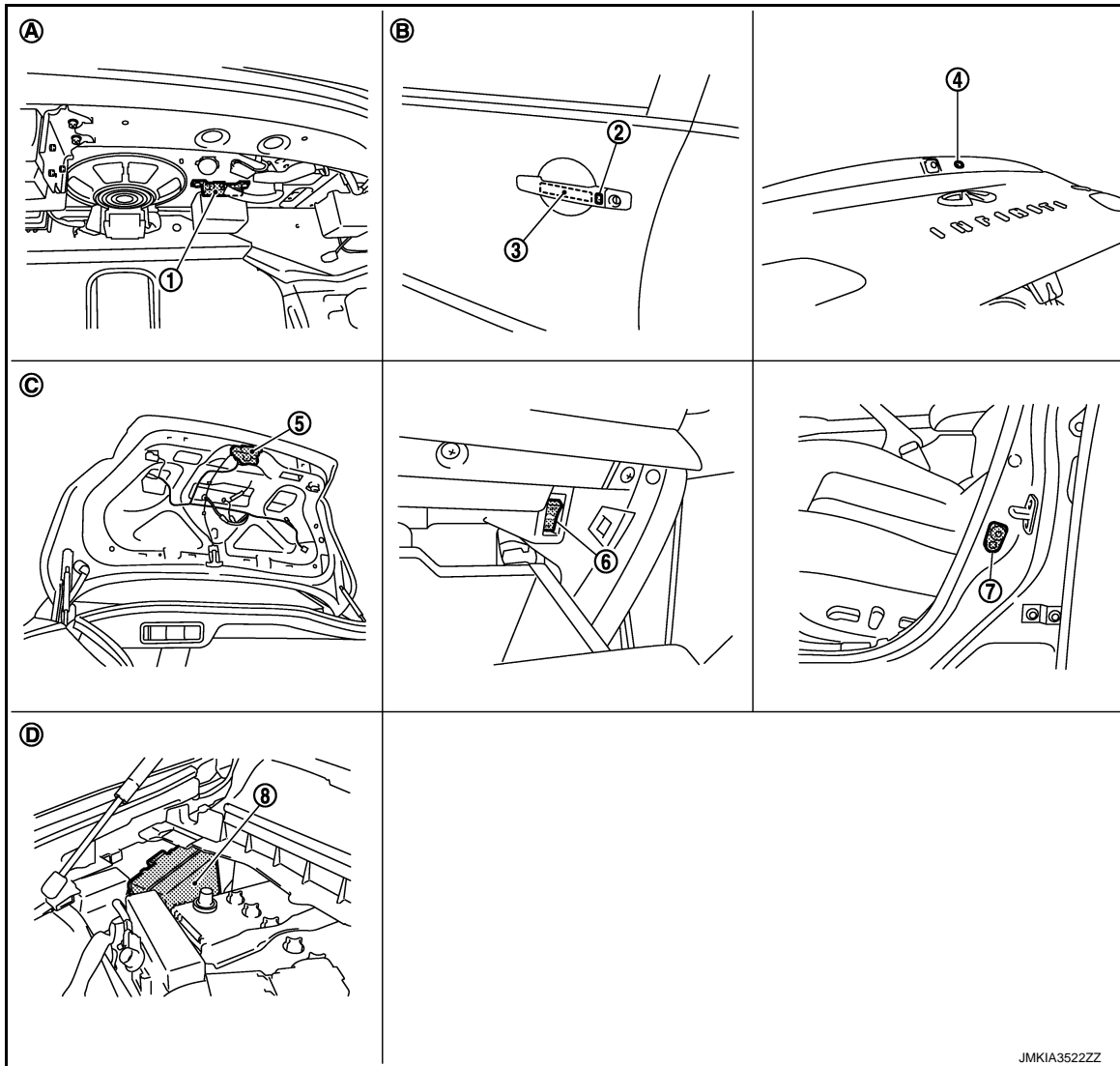
DLK

INTELLIGENT KEY SYSTEM

< SYSTEM DESCRIPTION >

- | | | |
|---|--|---|
| 10. Inside key antenna (instrument center) M131 | 11. Key slot M22 | 12. A/T shift selector (detention switch)* M137 |
| 13. Outside key antenna (rear bumper) B63 | | |
| A. Dash side lower (passenger side) | B. View with trunk side finisher removed | C. View with driver side door finisher removed |
| D. View with rear door finisher LH removed | E. View with hood seal assembly removed | F. Engine room dash panel |
| G. View with console rear finisher removed | H. View with cluster lid C removed | I. View with center console assembly removed |
| J. View with rear bumper removed | | |

*: With A/T models



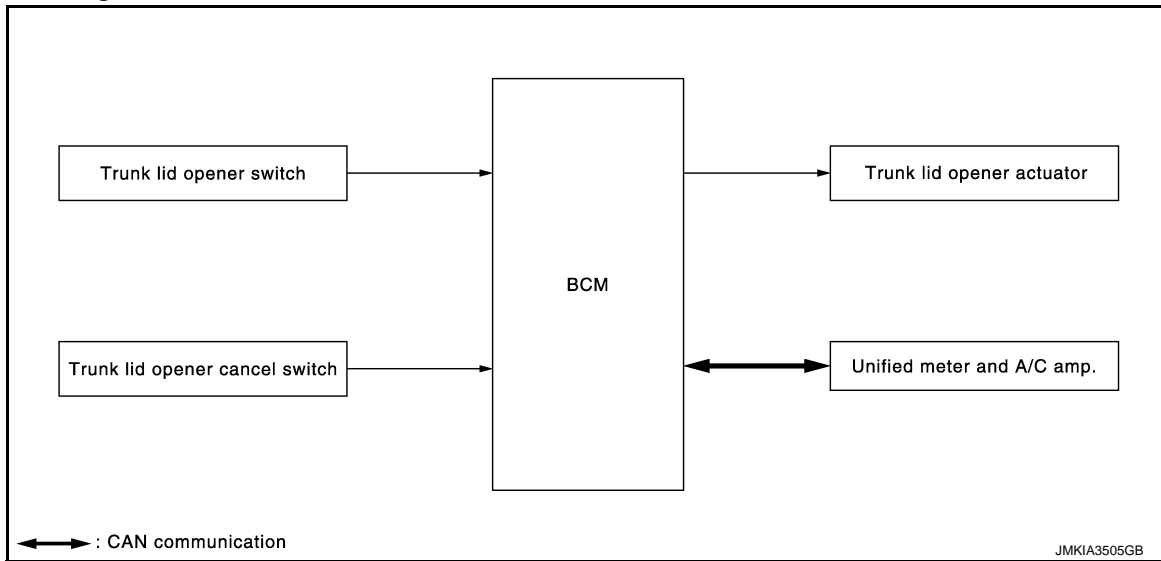
- | | | |
|---|---|--|
| 1. Inside key antenna (trunk room) B49 | 2. Front outside handle LH (request switch) D13 | 3. Front outside handle LH (outside key antenna) D14 |
| 4. Trunk lid opener request switch B304 | 5. Trunk lid lock assembly B303 | 6. Trunk lid opener cancel switch M105 |
| 7. Front door switch (driver side) B16 | 8. IPDM E/R E5, E6 | |
| A. View with trunk front finisher removed | B. View with driver side door | C. View with trunk lid finisher removed |
| D. Engine room dash panel (RH) | | |

TRUNK OPEN FUNCTION

< SYSTEM DESCRIPTION >

TRUNK OPEN FUNCTION

System Diagram



System Description

INFOID:000000008293792

TRUNK LID OPENER OPERATION

When trunk lid opener switch is ON, BCM opens trunk opener actuator.

BCM can open trunk lid opener actuator when

- Trunk lid opener cancel switch is ON
- Vehicle speed is less than 5 km/h (3 MPH)
- Vehicle security system is in the disarmed or pre-armed phase

BCM does not open trunk lid opener actuator when

- Vehicle speed is more than 5 km/h (3 MPH)
- Vehicle security system is in the armed or alarm phase
- Trunk lid opener cancel switch is OFF

A
B
C
D
E
F
G
H
I
J
L
M
N
O
P

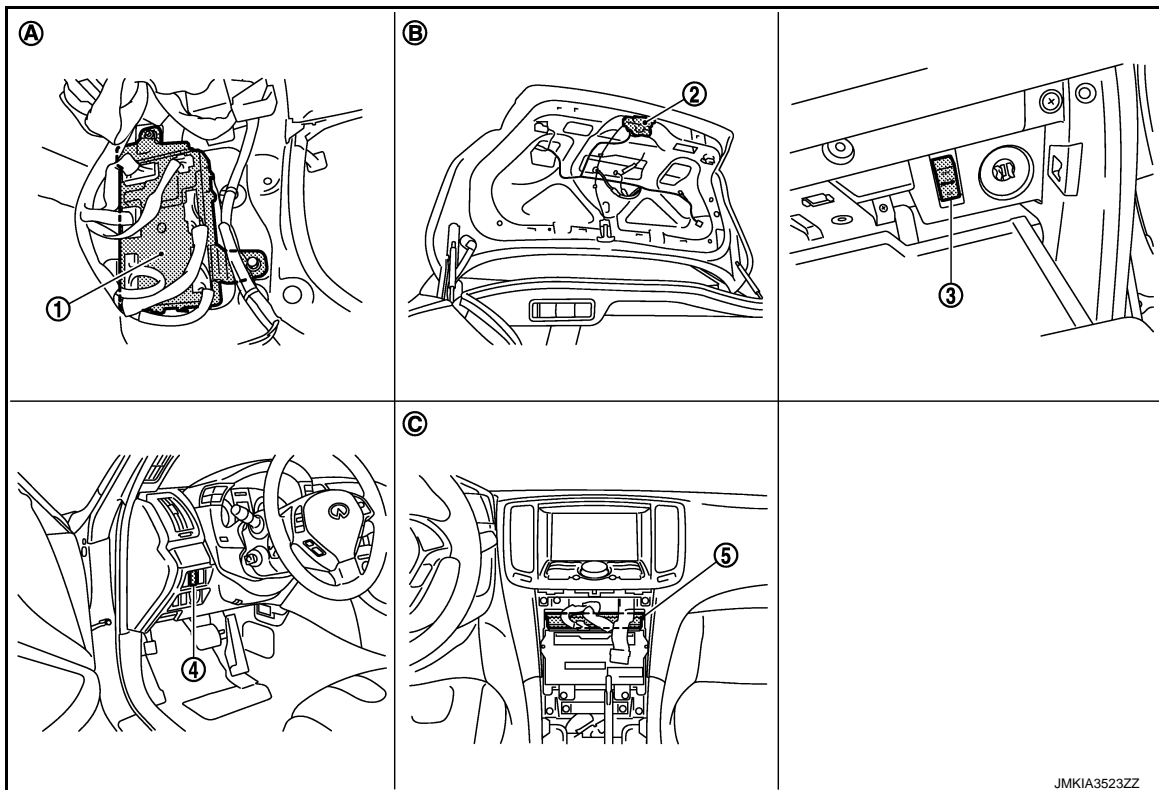
DLK

TRUNK OPEN FUNCTION

< SYSTEM DESCRIPTION >

Component Parts Location

INFOID:000000008293793



- | | | |
|---|---|--|
| 1. BCM M118, M119, M120, M121, M122, M123 | 2. Trunk lid lock assembly B303 | 3. Trunk lid opener cancel switch M105 |
| 4. Trunk lid opener switch M20 | 5. Unified meter and A/C amp. M67 | |
| A. Dash side lower (passenger side) | B. View with trunk lid finisher removed | C. View with glove box open |
| D. View with cluster lid C removed | | |

Component Description

INFOID:000000008293794

Item	Function
BCM	Controls trunk lid open operation.
Trunk lid opener switch	Transmits trunk open operation to BCM.
Trunk lid opener actuator	Opens the trunk after receiving the open signal from BCM.
Trunk lid opener cancel switch	Cancels the trunk open operation.
Unified meter and A/C amp.	Transmits vehicle speed signal to CAN communication line.

INTEGRATED HOMELINK TRANSMITTER

< SYSTEM DESCRIPTION >

INTEGRATED HOMELINK TRANSMITTER

Component Description

INFOID:000000008293795

Item	Function
Integrated homelink transmitter	A maximum of 3 radio signals can be stored and transmitted to operate the garage door, etc.

A
B
C
D
E
F
G
H
I
J
DLK
L
M
N
O
P

DLK

DIAGNOSIS SYSTEM (BCM)

< SYSTEM DESCRIPTION >

DIAGNOSIS SYSTEM (BCM)

COMMON ITEM

COMMON ITEM : CONSULT Function (BCM - COMMON ITEM)

INFOID:000000008772966

APPLICATION ITEM

CONSULT performs the following functions via CAN communication with BCM.

Diagnosis mode	Function Description
Work Support	Changes the setting for each system function.
Self Diagnostic Result	Displays the diagnosis results judged by BCM.
CAN Diag Support Monitor	Monitors the reception status of CAN communication viewed from BCM.
Data Monitor	The BCM input/output signals are displayed.
Active Test	The signals used to activate each device are forcibly supplied from BCM.
Ecu Identification	The BCM part number is displayed.
Configuration	This function is not used even though it is displayed.

SYSTEM APPLICATION

BCM can perform the following functions for each system.

NOTE:

It can perform the diagnosis modes except the following for all sub system selection items.

×: Applicable item

System	Sub system selection item	Diagnosis mode		
		Work Support	Data Monitor	Active Test
Door lock	DOOR LOCK	×	×	×
Rear window defogger	REAR DEFOGGER		×	×
Warning chime	BUZZER		×	×
Interior room lamp timer	INT LAMP	×	×	×
Exterior lamp	HEAD LAMP	×	×	×
Wiper and washer	WIPER	×	×	×
Turn signal and hazard warning lamps	FLASHER	×	×	×
—	AIR CONDITONER*			
<ul style="list-style-type: none"> • Intelligent Key system • Engine start system 	INTELLIGENT KEY	×	×	×
Combination switch	COMB SW		×	
Body control system	BCM	×		
IVIS - NATS	IMMU		×	×
Interior room lamp battery saver	BATTERY SAVER	×	×	×
Trunk lid open	TRUNK		×	×
Vehicle security system	THEFT ALM	×	×	×
RAP system	RETAINED PWR		×	
Signal buffer system	SIGNAL BUFFER		×	×
TPMS	AIR PRESSURE MONITOR	×	×	×

NOTE:

*: This item is displayed, but is not used.

FREEZE FRAME DATA (FFD)

The BCM records the following vehicle condition at the time a particular DTC is detected, and displays on CONSULT.

DIAGNOSIS SYSTEM (BCM)

< SYSTEM DESCRIPTION >

CONSULT screen item	Indication/Unit	Description		
Vehicle Speed	km/h	Vehicle speed of the moment a particular DTC is detected		A
Odo/Trip Meter	km	Total mileage (Odometer value) of the moment a particular DTC is detected		B
Vehicle Condition	SLEEP>LOCK	Power position status of the moment a particular DTC is detected	While turning BCM status from low power consumption mode to normal mode (Power supply position is "LOCK"*)	C
	SLEEP>OFF		While turning BCM status from low power consumption mode to normal mode (Power supply position is "OFF".)	D
	LOCK>ACC		While turning power supply position from "LOCK"* to "ACC"	E
	ACC>ON		While turning power supply position from "ACC" to "IGN"	F
	RUN>ACC		While turning power supply position from "RUN" to "ACC" (Vehicle is stopping and selector lever is except P position.)	G
	CRANK>RUN		While turning power supply position from "CRANKING" to "RUN" (From cranking up the engine to run it)	H
	RUN>URGENT		While turning power supply position from "RUN" to "ACC" (Emergency stop operation)	I
	ACC>OFF		While turning power supply position from "ACC" to "OFF"	J
	OFF>LOCK		While turning power supply position from "OFF" to "LOCK"*	DLK
	OFF>ACC		While turning power supply position from "OFF" to "ACC"	L
	ON>CRANK		While turning power supply position from "IGN" to "CRANKING"	M
	OFF>SLEEP		While turning BCM status from normal mode (Power supply position is "OFF".) to low power consumption mode	N
	LOCK>SLEEP		While turning BCM status from normal mode (Power supply position is "LOCK"*.) to low power consumption mode	O
	LOCK		Power supply position is "LOCK"*	P
	OFF		Power supply position is "OFF" (Ignition switch OFF)	
	ACC		Power supply position is "ACC" (Ignition switch ACC)	
	ON		Power supply position is "IGN" (Ignition switch ON with engine stopped)	
	ENGINE RUN		Power supply position is "RUN" (Ignition switch ON with engine running)	
CRANKING	Power supply position is "CRANKING" (At engine cranking)			
IGN Counter	0 - 39	The number of times that ignition switch is turned ON after DTC is detected <ul style="list-style-type: none"> • The number is 0 when a malfunction is detected now. • The number increases like 1 → 2 → 3...38 → 39 after returning to the normal condition whenever ignition switch OFF → ON. • The number is fixed to 39 until the self-diagnosis results are erased if it is over 39. 		

NOTE:

*: Power supply position shifts to "LOCK" from "OFF", when ignition switch is in the OFF position, selector lever is in the P position (A/T models), and any of the following conditions are met.

- Closing door
- Opening door
- Door is locked using door request switch
- Door is locked using Intelligent Key

The power supply position shifts to "ACC" when the push-button ignition switch (push switch) is pushed at "LOCK".

DOOR LOCK

DOOR LOCK : CONSULT Function (BCM - DOOR LOCK)

INFOID:000000008293797

BCM CONSULT FUNCTION

CONSULT performs the following functions via CAN communication with BCM.

DIAGNOSIS SYSTEM (BCM)

< SYSTEM DESCRIPTION >

Diagnosis mode	Function Description
WORK SUPPORT	Changes the setting for each system function.
DATA MONITOR	The BCM input/output signals are displayed.
ACTIVE TEST	The signals used to activate each device are forcibly supplied from BCM.

WORK SUPPORT

Monitor item	Description
DOOR LOCK-UNLOCK SET	Selective unlock function mode can be changed to operate (ON) or not operate (OFF) with this mode.
AUTOMATIC DOOR LOCK SELECT	Automatic door lock function mode can be selected from the following in this mode. <ul style="list-style-type: none"> VH SPD: All doors are locked when vehicle speed more than 24km/h (15MPH) P RANGE*: All doors are locked when shifting the selector lever from P position to other than the P position
AUTOMATIC DOOR UNLOCK SELECT	Automatic door unlock function mode can be selected from the following in the mode. <ul style="list-style-type: none"> MODE 1: All doors are unlocked when the power supply position is changed from ON to OFF MODE 2*: All doors are unlocked when shifting the selector lever from any position other than the P to P position MODE 3: Driver side door is unlocked when the power supply position is changed from ON to OFF MODE 4*: Driver side door is unlocked when shifting the selector lever from any position other than the P to P position
AUTOMATIC LOCK/UNLOCK SET	Automatic door lock/unlock function mode can be selected from the following in this mode. <ul style="list-style-type: none"> Off: non-operational Unlock Only: door unlock operation only Lock Only: door lock operation only Lock/Unlock: lock/unlock operation

*: P range interlock door lock can be selected for M/T models, but automatic door lock/unlock function does not operate.

DATA MONITOR

NOTE:

The following table includes information (items) inapplicable to this vehicle. For information (items) applicable to this vehicle, refer to CONSULT display items.

Monitor Item	Contents
REQ SW-DR	Indicated [ON/OFF] condition of door request switch (driver side).
REQ SW-AS	Indicated [ON/OFF] condition of door request switch (passenger side).
REQ SW-BD/TR	Indicated [ON/OFF] condition of trunk lid opener request switch.
DOOR SW-DR	Indicated [ON/OFF] condition of front door switch (driver side).
DOOR SW-AS	Indicated [ON/OFF] condition of front door switch (passenger side).
DOOR SW-RR	Indicated [ON/OFF] condition of rear door switch RH.
DOOR SW-RL	Indicated [ON/OFF] condition of rear door switch LH.
DOOR SW-BK	NOTE: This item is displayed, but cannot be monitored.
CDL LOCK SW	Indicated [ON/OFF] condition of lock signal from door lock unlock switch.
CDL UNLOCK SW	Indicated [ON/OFF] condition of unlock signal from door lock unlock switch.
KEY CYL LK-SW	Indicated [ON/OFF] condition of lock signal from door key cylinder.
KEY CYL UN-SW	Indicated [ON/OFF] condition of unlock signal from door key cylinder.

ACTIVE TEST

DIAGNOSIS SYSTEM (BCM)

< SYSTEM DESCRIPTION >

Test item	Description
DOOR LOCK	<p>This test is able to check door lock/unlock operation.</p> <ul style="list-style-type: none"> • The all door lock actuators are locked when "ALL LCK" on CONSULT screen is touched. • The all door lock actuators are unlocked when "ALL UNLK" on CONSULT screen is touched. • The door lock actuator (driver side) is unlocked when "DR UNLK" on CONSULT screen is touched. • The door lock actuator (passenger side) is unlocked when "AS UNLK" on CONSULT screen is touched. • The door lock actuator (other) is unlocked when "OTR ULK" on CONSULT screen is touched.

INTELLIGENT KEY

INTELLIGENT KEY : CONSULT Function (BCM - INTELLIGENT KEY)

INFOID:000000008293798

WORK SUPPORT

Monitor item	Description
CONFIRM KEY FOB ID	It can be checked whether Intelligent Key ID code is registered or not in this mode.
AUTO LOCK SET	<p>Auto door lock time can be changed in this mode.</p> <ul style="list-style-type: none"> • MODE 1: 1 minute • MODE 2: 5 minutes • MODE 3: 30 seconds • MODE 4: 2 minutes
LOCK/UNLOCK BY I-KEY	Door lock/unlock function by door request switch (driver side and passenger side) mode can be changed to operate (ON) or not operate (OFF) in this mode.
ENGINE START BY I-KEY	Engine start function mode can be changed to operate (ON) or not operate (OFF) with this mode.
TRUNK/GLASS HATCH OPEN	Buzzer reminder function mode by trunk opener request switch can be changed to operate (ON) or not operate (OFF) with this mode.
PANIC ALARM SET	<p>Panic alarm button pressing time on Intelligent Key remote control button can be selected from the following with this mode.</p> <ul style="list-style-type: none"> • MODE 1: 0.5 sec. • MODE 2: Non-operation • MODE 3: 1.5 sec.
PW DOWN SET	<p>Unlock button pressing time on Intelligent Key button can be selected from the following with this mode.</p> <ul style="list-style-type: none"> • MODE 1: 3 sec. • MODE 2: Non-operation • MODE 3: 5 sec.
TRUNK OPEN DELAY	<p>Trunk button pressing on Intelligent Key button can be selected as per the following in this mode.</p> <ul style="list-style-type: none"> • MODE 1: Press and hold • MODE 2: Press twice • MODE 3: Press and hold, or press twice
LO- BATT OF KEY FOB WARN	Intelligent Key low battery warning mode can be changed to operate (ON) or not operate (OFF) with this mode.
ANTI KEY LOCK IN FUNCTI	Key reminder function mode can be changed to operate (ON) or not operate (OFF) with this mode.
HAZARD ANSWER BACK	<p>Hazard reminder function mode can be selected from the following with this mode.</p> <ul style="list-style-type: none"> • LOCK ONLY: Door lock operation only • UNLOCK ONLY: Door unlock operation only • LOCK/UNLOCK: Lock/unlock operation • OFF: Non-operation
ANS BACK I-KEY LOCK	<p>Buzzer reminder function (lock operation) mode by door request switch (driver side and passenger side) can be selected from the following with this mode.</p> <ul style="list-style-type: none"> • Horn chirp: Sound horn • Buzzer: Sound Intelligent Key warning buzzer • OFF: Non-operation

DIAGNOSIS SYSTEM (BCM)

< SYSTEM DESCRIPTION >

Monitor item	Description
ANS BACK I-KEY UNLOCK	Buzzer reminder function (unlock operation) mode by door request switch can be changed to operate (ON) or not operate (OFF) with this mode.
SHORT CRANKING OUTPUT	Starter motor can operate during the times below. <ul style="list-style-type: none"> • 70 msec • 100 msec • 200 msec
INSIDE ANT DIAGNOSIS	This function allows inside key antenna self-diagnosis.
HORN WITH KEYLESS LOCK	Horn reminder function mode by Intelligent Key button can be changed to operate (ON) or not operate (OFF) with this mode.

SELF-DIAG RESULT

Refer to [BCS-75, "DTC Index"](#).

DATA MONITOR

NOTE:

The following table includes information (items) inapplicable to this vehicle. For information (items) applicable to this vehicle, refer to CONSULT display items.

Monitor Item	Condition
REQ SW -DR	Indicates [ON/OFF] condition of door request switch (driver side).
REQ SW -AS	Indicates [ON/OFF] condition of door request switch (passenger side).
REQ SW -BD/TR	Indicates [ON/OFF] condition of trunk opener request switch.
PUSH SW	Indicates [ON/OFF] condition of push-button ignition switch.
IGN RLY2 -F/B	Indicates [ON/OFF] condition of ignition relay 2.
ACC RLY-FB	NOTE: This item is displayed, but cannot be monitored.
CLUTCH SW*1	Indicates [ON/OFF] condition of clutch switch.
BRAKE SW 1	Indicates [ON/OFF]*2 condition of brake switch power supply.
BRAKE SW 2	Indicates [ON/OFF] condition of brake switch.
DETE/CANCL SW	Indicates [ON/OFF] condition of P position.
SFT PN/N SW	Indicates [ON/OFF] condition of P or N position.
S/L -LOCK	NOTE: This item is displayed, but can not be monitored.
S/L -UNLOCK	NOTE: This item is displayed, but can not be monitored.
S/L RELAY -F/B	NOTE: This item is displayed, but can not be monitored.
UNLK SEN -DR	Indicates [ON/OFF] condition of driver door UNLOCK status.
PUSH SW -IPDM	Indicates [ON/OFF] condition of push-button ignition switch.
IGN RLY1 -F/B	Indicates [ON/OFF] condition of ignition relay 1.
DETE SW -IPDM	Indicates [ON/OFF] condition of P position.
SFT PN -IPDM	Indicates [ON/OFF] condition of P or N position.
SFT P -MET	Indicates [ON/OFF] condition of P position.
SFT N -MET	Indicates [ON/OFF] condition of N position.
ENGINE STATE	Indicates [STOP/STALL/CRANK/RUN] condition of engine states.
S/L LOCK-IPDM	NOTE: This item is displayed, but can not be monitored.
S/L UNLK-IPDM	NOTE: This item is displayed, but can not be monitored.
S/L RELAY-REQ	NOTE: This item is displayed, but can not be monitored.

DIAGNOSIS SYSTEM (BCM)

< SYSTEM DESCRIPTION >

Monitor Item	Condition
VEH SPEED 1	Display the vehicle speed signal received from combination meter by numerical value [Km/h].
VEH SPEED 2	Display the vehicle speed signal received from ABS or VDC or TCM by numerical value [Km/h].
DOOR STAT-DR	Indicates [LOCK/READY/UNLOCK] condition of driver side door status.
DOOR STAT-AS	Indicates [LOCK/READY/UNLOCK] condition of passenger side door status.
ID OK FLAG	Indicates [SET/RESET] condition of key ID.
PRMT ENG STRT	Indicates [SET/RESET] condition of engine start possibility.
PRMT RKE STRT	NOTE: This item is displayed, but cannot be monitored.
KEY SW -SLOT	Indicates [ON/OFF] condition of key slot.
TRNK/HAT MNTR	Indicates [ON/OFF] condition of trunk lid.
RKE-LOCK	Indicates [ON/OFF] condition of LOCK signal from Intelligent Key.
RKE-UNLOCK	Indicates [ON/OFF] condition of UNLOCK signal from Intelligent Key.
RKE-TR/BD	Indicates [ON/OFF] condition of TRUNK OPEN signal from Intelligent Key.
RKE-PANIC	Indicates [ON/OFF] condition of PANIC button of Intelligent Key.
RKE-P/W OPEN	Indicates [ON/OFF] condition of P/W DOWN signal from Intelligent Key.
RKE-MODE CHG	Indicates [ON/OFF] condition of MODE CHANGE signal from Intelligent Key.
RKE OPE COUN1	When remote keyless entry receiver receives the signal transmitted while operating on Intelligent Key, the numerical value start changing.
RKE OPE COUN2	NOTE: This item is displayed, but cannot be monitored.

*1: It is displayed but does not operate on M/T models.

*2: OFF is displayed when brake pedal is depressed while brake switch power supply is OFF.

ACTIVE TEST

Test item	Description
BATTERY SAVER	This test is able to check interior room lamp operation. The interior room lamp is activated after "ON" on CONSULT screen is touched.
PW REMOTO DOWN SET	This test is able to check power window down operation. The power window down is activated after "ON" on CONSULT screen is touched.
OUTSIDE BUZZER	This test is able to check Intelligent Key warning buzzer operation. The Intelligent Key warning buzzer is activated after "ON" on CONSULT screen is touched.
INSIDE BUZZER	This test is able to check warning chime in combination meter operation. <ul style="list-style-type: none"> Take away warning chime sounds when "TAKE OUT" on CONSULT screen is touched. Key warning chime sounds when "KEY" on CONSULT screen is touched. OFF position warning chime sounds when "KNOB" on CONSULT screen is touched.
INDICATOR	This test is able to check warning lamp operation. <ul style="list-style-type: none"> "KEY" Warning lamp illuminates when "KEY ON" on CONSULT screen is touched. "KEY" Warning lamp blinks when "KEY IND" on CONSULT screen is touched.
INT LAMP	This test is able to check interior room lamp operation. The interior room lamp is activated after "ON" on CONSULT screen is touched.
LCD	This test is able to check meter display information <ul style="list-style-type: none"> Engine start information displays when "BP N" on CONSULT screen is touched. Engine start information displays when "BP I" on CONSULT screen is touched. Key ID warning displays when "ID NG" on CONSULT screen is touched. ROTAT: This item is displayed, but can not be monitored. P position warning displays when "SFT P" on CONSULT screen is touched. Intelligent Key insert information displays when "INSRT" on CONSULT screen is touched. Intelligent Key low battery warning displays when "BATT" on CONSULT screen is touched. Take away through window warning displays when "NO KY" on CONSULT screen is touched. Take away warning display when "OUTKEY" on CONSULT screen is touched. OFF position warning display when "LK WN" on CONSULT screen is touched.

DIAGNOSIS SYSTEM (BCM)

< SYSTEM DESCRIPTION >

Test item	Description
TRUNK/GLASS HATCH	This test is able to check trunk lid opener actuator open operation. This actuator opens when "OPEN" on CONSULT screen is touched.
FLASHER	This test is able to check security hazard lamp operation. The hazard lamps are activated after "LH/RH/OFF" on CONSULT screen is touched.
HORN	This test is able to check horn operation. The horn is activated after "ON" on CONSULT screen is touched.
P RANGE	This test is able to check A/T shift selector power supply A/T shift selector power is supplied when "ON" on CONSULT screen is touched.
ENGINE SW ILLUMI	This test is able to check push-ignition switch illumination operation. Push-ignition switch illumination illuminates when "ON" on CONSULT screen is touched.
LOCK INDICATOR	This test is able to check LOCK indicator in push-ignition switch operation. LOCK indicator in push-ignition switch illuminates when "ON" on CONSULT screen is touched.
ACC INDICATOR	This test is able to check ACC indicator in push-ignition switch operation. ACC indicator in push-ignition switch illuminates when "ON" on CONSULT screen is touched.
IGNITION ON IND	This test is able to check on indicator in push-ignition switch operation. ON indicator in push-ignition switch illuminates when "ON" on CONSULT screen is touched.
KEY SLOT ILLUMI	This test is able to check key slot illumination operation. Key slot illumination blinks when "ON" on CONSULT screen is touched.
TRUNK/BACK DOOR	This test is able to check trunk lid opener actuator open operation. This actuator opens when "OPEN" on CONSULT screen is touched.

TRUNK

TRUNK : CONSULT Function (BCM - TRUNK)

INFOID:0000000008293799

BCM CONSULT FUNCTION

CONSULT performs the following functions via CAN communication with BCM.

Diagnosis mode	Function Description
DATA MONITOR	The BCM input/output signals are displayed.

DATA MONITOR

NOTE:

The following table includes information (items) inapplicable to this vehicle. For information (items) applicable to this vehicle, refer to CONSULT display items.

Monitor Item	Contents
PUSH SW	Indicates [ON/OFF] condition of push switch.
UNLK SEN -DR	Indicates [ON/OFF] condition of unlock sensor.
VEH SPEED 1	Indicates [Km/h] condition of vehicle speed signal from combination meter.
KEY CYL SW-TR	NOTE: This item is displayed, but cannot be monitored.
TR CANCEL SW	Indicates [ON/OFF] condition of trunk lid opener cancel switch.
TR/BD OPEN SW	Indicates [ON/OFF] condition of trunk lid opener switch.
TRNK/HAT MNTR	Indicates [ON/OFF] condition of trunk room lamp switch.
RKE-TR/BD	Indicates [ON/OFF] condition of trunk open signal from Intelligent Key remote controller button.
TRUNK/GLASS HATCH	This test is able to check trunk lid opener actuator open operation.

ACTIVE TEST

Test item	Description
TRUNK/GLASS HATCH	This test is able to check trunk lid opener actuator open operation. This actuator opens when "OPEN" on CONSULT screen is touched.

U1000 CAN COMM CIRCUIT

< DTC/CIRCUIT DIAGNOSIS >

DTC/CIRCUIT DIAGNOSIS

U1000 CAN COMM CIRCUIT

Description

INFOID:000000008293800

CAN (Controller Area Network) is a serial communication line for real time applications. It is an on-vehicle multiplex communication line with high data communication speed and excellent error detection ability. Modern vehicle is equipped with many electronic control unit, and each control unit shares information and links with other control units during operation (not independent). In CAN communication, control units are connected with 2 communication lines (CAN H-line, CAN L-line) allowing a high rate of information transmission with less wiring. Each control unit transmits/receives data but selectively reads required data only. CAN Communication Signal Chart. Refer to [LAN-25, "CAN System Specification Chart"](#).

DTC Logic

INFOID:000000008293801

DTC DETECTION LOGIC

DTC	CONSULT display description	DTC Detection Condition	Possible cause
U1000	CAN COMM CIRCUIT	When BCM cannot communicate CAN communication signal continuously for 2 seconds or more.	CAN communication system

Diagnosis Procedure

INFOID:000000008293802

1. PERFORM SELF DIAGNOSTIC

1. Turn ignition switch ON and wait for 2 seconds or more.
2. Check "Self Diagnostic Result".

Is "CAN COMM CIRCUIT" displayed?

- YES >> Refer to [LAN-16, "Trouble Diagnosis Flow Chart"](#).
NO >> Refer to [GI-43, "Intermittent Incident"](#).

DLK

U1010 CONTROL UNIT (CAN)

< DTC/CIRCUIT DIAGNOSIS >

U1010 CONTROL UNIT (CAN)

DTC Logic

INFOID:000000008293803

DTC DETECTION LOGIC

DTC	CONSULT display description	DTC Detection Condition	Possible cause
U1010	CONTROL UNIT (CAN)	BCM detected internal CAN communication circuit malfunction.	BCM

Diagnosis Procedure

INFOID:000000008293804

1.REPLACE BCM

When DTC [U1010] is detected, replace BCM.

>> Replace BCM. Refer to [BCS-81. "Removal and Installation"](#)

Special Repair Requirement

INFOID:000000008293805

1.REQUIRED WORK WHEN REPLACING BCM

Initialize control unit. Refer to CONSULT operation manual NATS-IVIS/NVIS.

>> INSPECTION END

B2621 INSIDE ANTENNA

< DTC/CIRCUIT DIAGNOSIS >

B2621 INSIDE ANTENNA

Description

INFOID:000000008293806

Detects whether Intelligent Key is inside the vehicle.
Installed in the instrument center.

DTC Logic

INFOID:000000008293807

DTC DETECTION LOGIC

DTC	CONSULT display description	DTC detecting condition	Possible cause
B2621	INSIDE ANTENNA	An excessive high or low voltage from inside antenna is sent to BCM.	<ul style="list-style-type: none"> Inside key antenna (instrument center) Between BCM ~ Inside key antenna (instrument center)

DTC CONFIRMATION PROCEDURE

1. PERFORM DTC CONFIRMATION PROCEDURE

1. Perform inside key antenna ("INSIDE ANT DIAGNOSIS") on "Work Support" of "INTELLIGENT KEY".
2. Perform "INTELLIGENT KEY" Self Diagnostic Result.

Is inside key antenna DTC detected?

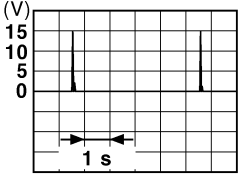
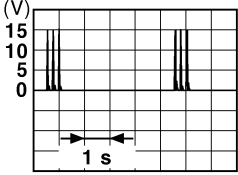
- YES >> Refer to [DLK-59, "Diagnosis Procedure"](#).
NO >> Inside key antenna (instrument center) is OK.

Diagnosis Procedure

INFOID:000000008293808

1. CHECK INSIDE KEY ANTENNA INPUT SIGNAL 1

1. Turn ignition switch OFF.
2. Check signal between BCM harness connector and ground using oscilloscope.

(+)		(-)	Condition	Signal (Reference value)
BCM				
Connector	Terminal			
Instrument center	M122	78, 79	Ground	 <p>JMKIA0062GB</p>
				 <p>JMKIA0063GB</p>

Is the inspection result normal?

- YES >> GO TO 4.
NO >> GO TO 2.

2. CHECK INSIDE KEY ANTENNA CIRCUIT

1. Disconnect BCM connector and inside key antenna (instrument center) connector.

A
B
C
D
E
F
G
H
I
J
L
M
N
O
P

DLK

B2621 INSIDE ANTENNA

< DTC/CIRCUIT DIAGNOSIS >

2. Check continuity between BCM harness connector and inside key antenna (instrument center) harness connector.

BCM		Inside key antenna (instrument center)		Continuity
Connector	Terminal	Connector	Terminal	
M122	78	M131	2	Existed
	79		1	

3. Check continuity between BCM harness connector and ground.

BCM		Ground	Continuity
Connector	Terminal		
M122	78		Not existed
	79		

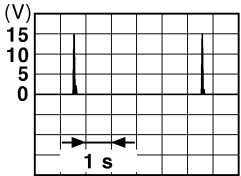
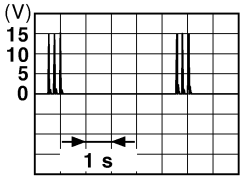
Is the inspection result normal?

YES >> GO TO 3.

NO >> Repair or replace harness.

3. CHECK INSIDE KEY ANTENNA INPUT SIGNAL 2

1. Replace inside key antenna (instrument center). (New antenna or other antenna)
2. Connect BCM connector and inside key antenna (instrument center) connector.
3. Check signal between BCM harness connector and ground using oscilloscope.

(+)			(-)	Condition	Signal (Reference value)
BCM		Terminal			
Connector					
Instrument center	M122	78, 79	Ground	Place Intelligent Key inside the vehicle.	
				Place Intelligent Key outside the vehicle.	

Is the inspection result normal?

YES >> Replace inside key antenna (instrument center). Refer to [DLK-226, "INSTRUMENT CENTER : Removal and Installation"](#).

NO >> Replace BCM. Refer to [BCS-81, "Removal and Installation"](#).

4. CHECK INTERMITTENT INCIDENT

Refer to [GI-43, "Intermittent Incident"](#).

>> INSPECTION END

B2622 INSIDE ANTENNA

< DTC/CIRCUIT DIAGNOSIS >

B2622 INSIDE ANTENNA

Description

INFOID:000000008293809

Detects whether Intelligent Key is inside the vehicle.
Installed in the console.

DTC Logic

INFOID:000000008293810

DTC DETECTION LOGIC

DTC	CONSULT display description	DTC detecting condition	Possible cause
B2622	INSIDE ANTENNA	An excessive high or low voltage from inside antenna is sent to BCM.	<ul style="list-style-type: none"> Inside key antenna (console) Between BCM ~ Inside key antenna (console)

DTC CONFIRMATION PROCEDURE

1. PERFORM DTC CONFIRMATION PROCEDURE

1. Perform inside key antenna ("INSIDE ANT DIAGNOSIS") on "Work Support" of "INTELLIGENT KEY".
2. Perform "INTELLIGENT KEY" Self Diagnostic Result.

Is inside key antenna DTC detected?

- YES >> Refer to [DLK-61, "Diagnosis Procedure"](#).
NO >> Inside key antenna (console) is OK.

Diagnosis Procedure

INFOID:000000008293811

1. CHECK INSIDE KEY ANTENNA INPUT SIGNAL 1

1. Turn ignition switch OFF.
2. Check signal between BCM harness connector and ground using oscilloscope.

(+)		(-)	Condition	Signal (Reference value)
BCM				
Connector	Terminal			
Console	M122	72, 73	Ground	

Is the inspection result normal?

- YES >> GO TO 4.
NO >> GO TO 2.

2. CHECK INSIDE KEY ANTENNA CIRCUIT

1. Disconnect BCM connector and inside key antenna (console) connector.
2. Check continuity between BCM harness connector and inside key antenna (console) harness connector.

A
B
C
D
E
F
G
H
I
J
L
M
N
O
P

DLK

B2622 INSIDE ANTENNA

< DTC/CIRCUIT DIAGNOSIS >

BCM		Inside key antenna (console)		Continuity
Connector	Terminal	Connector	Terminal	
M122	72	M146	2	Existed
	73		1	

3. Check continuity between BCM harness connector and ground.

BCM		Ground	Continuity
Connector	Terminal		
M122	72		Not existed
	73		

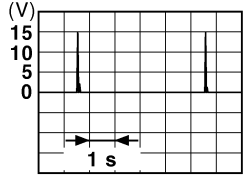
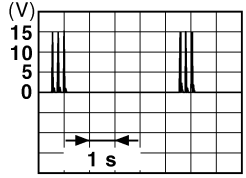
Is the inspection result normal?

YES >> GO TO 3.

NO >> Repair or replace harness.

3. CHECK INSIDE KEY ANTENNA INPUT SIGNAL 2

1. Replace inside key antenna (console). (New antenna or other antenna)
2. Connect BCM connector and inside key antenna (console) connector.
3. Check signal between BCM harness connector and ground using oscilloscope.

(+)			(-)	Condition	Signal (Reference value)
BCM		Terminal			
Connector					
Console	M122	72, 73	Ground	Place Intelligent Key inside the vehicle.	
				Place Intelligent Key outside the vehicle.	

Is the inspection result normal?

YES >> Replace inside key antenna (console). Refer to [DLK-226, "CONSOLE : Removal and Installation"](#).

NO >> Replace BCM. Refer to [BCS-81, "Removal and Installation"](#).

4. CHECK INTERMITTENT INCIDENT

Refer to [GI-43, "Intermittent Incident"](#).

>> INSPECTION END

B2623 INSIDE ANTENNA

< DTC/CIRCUIT DIAGNOSIS >

B2623 INSIDE ANTENNA

Description

INFOID:000000008293812

Detects whether Intelligent Key is inside the vehicle.
Installed in the trunk room.

DTC Logic

INFOID:000000008293813

DTC DETECTION LOGIC

DTC	CONSULT display description	DTC detecting condition	Possible cause
B2623	INSIDE ANTENNA	An excessive high or low voltage from inside antenna is sent to BCM.	<ul style="list-style-type: none"> Inside key antenna (trunk room) Between BCM – Inside key antenna (trunk room)

DTC CONFIRMATION PROCEDURE

1. PERFORM DTC CONFIRMATION PROCEDURE

1. Perform inside key antenna ("INSIDE ANT DIAGNOSIS") on "Work Support" of "INTELLIGENT KEY".
2. Perform "INTELLIGENT KEY" Self Diagnostic Result.

Is inside key antenna DTC detected?

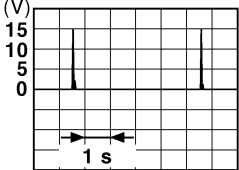
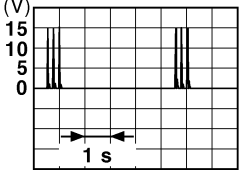
- YES >> Refer to [DLK-63, "Diagnosis Procedure"](#).
NO >> Inside key antenna (trunk room) is OK.

Diagnosis Procedure

INFOID:000000008293814

1. CHECK INSIDE KEY ANTENNA INPUT SIGNAL 1

1. Turn ignition switch OFF.
2. Check signal between BCM harness connector and ground using oscilloscope.

(+)		(-)	Condition	Signal (Reference value)
BCM				
Connector	Terminal			
Trunk room	M121	34, 35	Ground	Place Intelligent Key inside the vehicle.  JMkia0062GB
				Place Intelligent Key outside the vehicle.  JMkia0063GB

Is the inspection result normal?

- YES >> GO TO 4.
NO >> GO TO 2.

2. CHECK INSIDE KEY ANTENNA CIRCUIT

1. Disconnect BCM connector and inside key antenna (trunk room) connector.

B2623 INSIDE ANTENNA

< DTC/CIRCUIT DIAGNOSIS >

- Check continuity between BCM harness connector and inside key antenna (trunk room) harness connector.

BCM		Inside key antenna (trunk room)		Continuity
Connector	Terminal	Connector	Terminal	
M121	34	B49	2	Existed
	35		1	

- Check continuity between BCM harness connector and ground.

BCM		Ground	Continuity
Connector	Terminal		
M121	34		Not existed
	35		

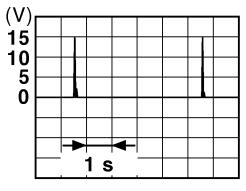
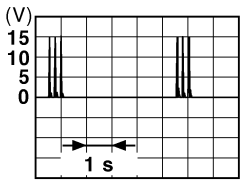
Is the inspection result normal?

YES >> GO TO 3.

NO >> Repair or replace harness.

3. CHECK INSIDE KEY ANTENNA INPUT SIGNAL 2

- Replace inside key antenna (trunk room). (New antenna or other antenna)
- Connect BCM and inside key antenna (trunk room) connector.
- Check signal between BCM harness connector and ground using oscilloscope.

(+) BCM			(-)	Condition	Signal (Reference value)
Connector	Terminal				
Trunk room	M121	34, 35	Ground	Place Intelligent Key inside the vehicle.	
				Place Intelligent Key outside the vehicle.	

Is the inspection result normal?

YES >> Replace inside key antenna (trunk room). Refer to [DLK-227, "TRUNK ROOM : Removal and Installation"](#).

NO >> Replace BCM. Refer to [BCS-81, "Removal and Installation"](#).

4. CHECK INTERMITTENT INCIDENT

Refer to [GI-43, "Intermittent Incident"](#).

>> INSPECTION END

POWER SUPPLY AND GROUND CIRCUIT

< DTC/CIRCUIT DIAGNOSIS >

POWER SUPPLY AND GROUND CIRCUIT BCM (BODY CONTROL MODULE)

BCM (BODY CONTROL MODULE) : Diagnosis Procedure

INFOID:000000008293815

1. CHECK FUSE AND FUSIBLE LINK

Check that the following fuse and fusible link are not fusing.

Terminal No.	Signal name	Fuse and fusible link No.
1	Battery power supply	K (40 A)
11		10 (10 A)

Is the inspection result normal?

YES >> GO TO 2.

NO >> Replace the blown fuse or fusible link after repairing the affected circuit if a fuse or fusible link is blown.

2. CHECK POWER SUPPLY CIRCUIT

1. Turn ignition switch OFF.
2. Disconnect BCM connector.
3. Check voltage between BCM harness connector and ground.

(+)		(-)	Voltage (Approx.)
BCM			
Connector	Terminal	Ground	Battery voltage
M118	1		
M119	11		

Is the inspection result normal?

YES >> GO TO 3.

NO >> Repair or replace harness.

3. CHECK GROUND CIRCUIT

Check continuity between BCM harness connector and ground.

BCM		Ground	Continuity
Connector	Terminal		
M119	13		Existed

Is the inspection result normal?

YES >> INSPECTION END

NO >> Repair or replace harness.

A
B
C
D
E
F
G
H
I
J
L
M
N
O
P

DLK

DOOR SWITCH

< DTC/CIRCUIT DIAGNOSIS >

DOOR SWITCH

Description

INFOID:000000008293816

Detects door open/close condition.

Component Function Check

INFOID:000000008293817

1.CHECK FUNCTION

Check ("DOOR SW-DR", "DOOR SW-AS", "DOOR SW-RL" or "DOOR SW-RR") in "Data Monitor" mode with CONSULT.

Monitor item	Condition		Status
DOOR SW-DR	Driver side door	Open	ON
		Closed	OFF
DOOR SW-AS	Passenger side door	Open	ON
		Closed	OFF
DOOR SW-RL	Rear door LH	Open	ON
		Closed	OFF
DOOR SW-RR	Rear door RH	Open	ON
		Closed	OFF

Is the inspection result normal?

YES >> Door switch is OK.

NO >> Refer to [DLK-66, "Diagnosis Procedure"](#).

Diagnosis Procedure

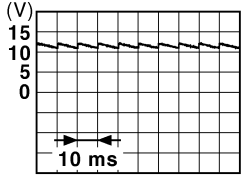
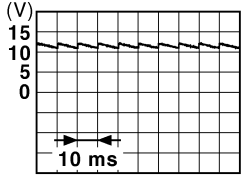
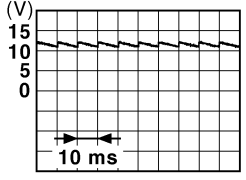
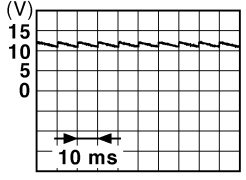
INFOID:000000008293818

1.CHECK DOOR SWITCH INPUT SIGNAL

1. Turn ignition switch OFF.
2. Disconnect malfunctioning door switch connector.
3. Check signal between malfunctioning door switch harness connector and ground with oscilloscope.

DOOR SWITCH

< DTC/CIRCUIT DIAGNOSIS >

(+)			(-)	Signal (Reference value)
Door switch				
Connector	Terminal			
Driver side	B16	2	Ground	 <p style="text-align: right; font-size: small;">JPMA0011GB</p>
Passenger side	B216	2		 <p style="text-align: right; font-size: small;">JPMA0011GB</p>
Rear LH	B23	2		 <p style="text-align: right; font-size: small;">JPMA0011GB</p>
Rear RH	B223	2		 <p style="text-align: right; font-size: small;">JPMA0011GB</p>

A
B
C
D
E
F
G
H
I
J

DLK

Is the inspection result normal?

- YES >> GO TO 3.
- NO >> GO TO 2.

2. CHECK DOOR SWITCH CIRCUIT

1. Disconnect BCM connector.
2. Check continuity between door switch harness connector and BCM harness connector.

Door switch		BCM		Continuity
Connector	Terminal	Connector	Terminal	
Driver side	B16	M123	150	Existed
Passenger side	B216		124	
Rear LH	B23	M121	69	
Rear RH	B223		68	

3. Check continuity between door switch harness connector and ground.

L
M
N
O
P

DOOR SWITCH

< DTC/CIRCUIT DIAGNOSIS >

Door switch		Terminal	Ground	Continuity
Connector				Not existed
Driver side	B16	2	Ground	Not existed
Passenger side	B216			
Rear LH	B23			
Rear RH	B223			

Is the inspection result normal?

YES >> Replace BCM. Refer to [BCS-81, "Removal and Installation"](#).

NO >> Repair or replace harness.

3.CHECK DOOR SWITCH

Refer to [DLK-68, "Component Inspection"](#).

Is the inspection result normal?

YES >> GO TO 4.

NO >> Replace malfunctioning door switch. Refer to [DLK-225, "Removal and Installation"](#).

4.CHECK INTERMITTENT INCIDENT

Refer to [GI-43, "Intermittent Incident"](#).

>> INSPECTION END

Component Inspection

INFOID:000000008293819

1.CHECK DOOR SWITCH

1. Turn ignition switch OFF.
2. Disconnect malfunctioning door switch connector.
3. Check continuity between door switch terminals.

Terminal		Condition	Continuity	
Door switch			Not existed	
2	Ground part of door switch	Door switch	Pressed	Not existed
			Released	Existed

Is the inspection result normal?

YES >> INSPECTION END

NO >> Replace malfunction door switch. Refer to [DLK-225, "Removal and Installation"](#).

DOOR LOCK AND UNLOCK SWITCH

< DTC/CIRCUIT DIAGNOSIS >

DOOR LOCK AND UNLOCK SWITCH DRIVER SIDE

DRIVER SIDE : Description

INFOID:000000008293820

Transmits door lock/unlock operation to BCM.

DRIVER SIDE : Component Function Check

INFOID:000000008293821

1.CHECK FUNCTION

Check ("CDL LOCK SW ", "CDL UNLOCK SW") in "Data Monitor" mode with CONSULT.

Monitor item	Condition	Status
CDL LOCK SW	Lock	ON
	Unlock	OFF
CDL UNLOCK SW	Lock	OFF
	Unlock	ON

Is the inspection result normal?

YES >> Door lock and unlock switch is OK.

NO >> Refer to [DLK-69, "DRIVER SIDE : Diagnosis Procedure"](#).

DRIVER SIDE : Diagnosis Procedure

INFOID:000000008293822

1.CHECK POWER WINDOW SWITCH

1. Turn ignition switch ON.
2. Check power window operation.

Does power window (driver side) operate?

YES >> Replace power window main switch.

NO-1 >> Front & rear window anti-pinch models.

NO-2 >> Front window anti-pinch models.

PASSENGER SIDE

PASSENGER SIDE : Description

INFOID:000000008293823

Transmits door lock/unlock operation to BCM.

PASSENGER SIDE : Component Function Check

INFOID:000000008293824

1.CHECK FUNCTION

Check ("CDL LOCK SW ", "CDL UNLOCK SW") in "Data Monitor" mode with CONSULT.

Monitor item	Condition	Status
CDL LOCK SW	Lock	ON
	Unlock	OFF
CDL UNLOCK SW	Lock	OFF
	Unlock	ON

Is the inspection result normal?

YES >> Door lock and unlock switch is OK.

NO >> Refer to [DLK-69, "PASSENGER SIDE : Diagnosis Procedure"](#).

PASSENGER SIDE : Diagnosis Procedure

INFOID:000000008293825

1.CHECK POWER WINDOW SWITCH

1. Turn ignition switch ON.

A
B
C
D
E
F
G
H
I
J
L
M
N
O
P

DLK

DOOR LOCK AND UNLOCK SWITCH

< DTC/CIRCUIT DIAGNOSIS >

2. Check passenger side power window operation.

Does power window (passenger side) operate?

YES >> Replace power window sub-switch.

NO-1 >> Front & rear window anti-pinch models.

NO-2 >> Front window anti-pinch models.

DOOR LOCK ACTUATOR

< DTC/CIRCUIT DIAGNOSIS >

DOOR LOCK ACTUATOR DRIVER SIDE

DRIVER SIDE : Description

INFOID:000000008293826

Locks/unlocks the door with the signal from BCM.

DRIVER SIDE : Component Function Check

INFOID:000000008293827

1. CHECK FUNCTION

1. Use CONSULT to perform Active Test ("DOOR LOCK").
2. Touch "ALL LCK" or "ALL UNLK" to check that it works normally.

Is the inspection result normal?

- YES >> Door lock actuator is OK.
 NO >> Refer to [DLK-71, "DRIVER SIDE : Diagnosis Procedure"](#).

DRIVER SIDE : Diagnosis Procedure

INFOID:000000008293828

1. CHECK DOOR LOCK ACTUATOR INPUT SIGNAL

1. Turn ignition switch OFF.
2. Disconnect front door lock assembly (driver side) connector.
3. Check voltage between front door lock assembly (driver side) harness connector and ground.

(+)		(-)	Condition	Voltage (V) (Approx.)	
Front door lock assembly (driver side)					
Connector	Terminal				
D15	1	Ground	Door lock and unlock switch	Lock	0 → Battery voltage → 0
	2		Unlock	0 → Battery voltage → 0	

Is the inspection result normal?

- YES >> Replace front door lock assembly (driver side). Refer to [DLK-213, "FRONT DOOR LOCK : Removal and Installation"](#).
 NO >> GO TO 2.

2. CHECK DOOR LOCK ACTUATOR CIRCUIT

1. Disconnect BCM connector.
2. Check continuity between BCM harness connector and front door lock assembly (driver side) harness connector.

BCM		Front door lock assembly (driver side)		Continuity
Connector	Terminal	Connector	Terminal	
M119	8	D15	1	Existed
	9		2	

3. Check continuity between BCM harness connector and ground.

BCM		Ground	Continuity
Connector	Terminal		
M119	8		Not existed
	9		

Is the inspection result normal?

- YES >> Replace BCM. Refer to [BCS-81, "Removal and Installation"](#).
 NO >> Repair or replace harness.

PASSENGER SIDE

A
B
C
D
E
F
G
H
I
J
L
M
N
O
P

DLK

DOOR LOCK ACTUATOR

< DTC/CIRCUIT DIAGNOSIS >

PASSENGER SIDE : Description

INFOID:000000008293829

Locks/unlocks the door with the signal from BCM.

PASSENGER SIDE : Component Function Check

INFOID:000000008293830

1.CHECK FUNCTION

1. Use CONSULT to perform Active Test ("DOOR LOCK").
2. Touch "ALL LCK" or "ALL UNLK" to check that it works normally.

Is the inspection result normal?

YES >> Door lock actuator is OK.

NO >> Refer to [DLK-72, "PASSENGER SIDE : Diagnosis Procedure"](#).

PASSENGER SIDE : Diagnosis Procedure

INFOID:000000008293831

1.CHECK DOOR LOCK ACTUATOR INPUT SIGNAL

1. Turn ignition switch OFF.
2. Disconnect front door lock assembly (passenger side) connector.
3. Check voltage between front door lock assembly (passenger side) harness connector and ground.

(+)		(-)	Condition	Voltage (V) (Approx.)
Connector	Terminal			
D45	1	Ground	Door lock and unlock switch Unlock	0 → Battery voltage → 0
	2		Door lock and unlock switch Lock	0 → Battery voltage → 0

Is the inspection result normal?

YES >> Replace front door lock assembly (passenger side). Refer to [DLK-213, "FRONT DOOR LOCK : Removal and Installation"](#).

NO >> GO TO 2.

2.CHECK DOOR LOCK ACTUATOR CIRCUIT

1. Disconnect BCM connector.
2. Check continuity between BCM harness connector and front door lock assembly (passenger side) harness connector.

BCM		Front door lock assembly (passenger side)		Continuity
Connector	Terminal	Connector	Terminal	
M119	5	D45	1	Existed
	8		2	

3. Check continuity between BCM harness connector and ground.

BCM		Ground	Continuity
Connector	Terminal		
M119	5		Not existed
	8		

Is the inspection result normal?

YES >> Replace BCM. Refer to [BCS-81, "Removal and Installation"](#).

NO >> Repair or replace harness.

REAR LH

REAR LH : Description

INFOID:000000008293832

Locks/unlocks the door with the signal from BCM.

DOOR LOCK ACTUATOR

< DTC/CIRCUIT DIAGNOSIS >

REAR LH : Component Function Check

INFOID:000000008293833

1.CHECK FUNCTION

1. Use CONSULT to perform Active Test ("DOOR LOCK").
2. Touch "ALL LCK" or "ALL UNLK" to check that it works normally.

Is the inspection result normal?

- YES >> Door lock actuator is OK.
NO >> Refer to [DLK-74, "REAR RH : Diagnosis Procedure"](#).

REAR LH : Diagnosis Procedure

INFOID:000000008293834

1.CHECK DOOR LOCK ACTUATOR INPUT SIGNAL

1. Turn ignition switch OFF.
2. Disconnect rear door lock assembly LH connector.
3. Check voltage between rear door lock assembly LH harness connector and ground.

(+)		(-)	Condition	Voltage (V) (Approx.)	
Connector	Terminal				
D55	1	Ground	Door lock and unlock switch	Lock	0 → Battery voltage → 0
	2		Unlock	0 → Battery voltage → 0	

Is the inspection result normal?

- YES >> Replace rear door lock assembly LH. Refer to [DLK-216, "REAR DOOR LOCK : Removal and Installation"](#).
NO >> GO TO 2.

2.CHECK DOOR LOCK ACTUATOR CIRCUIT

1. Disconnect BCM connector.
2. Check continuity between BCM harness connector and rear door lock assembly LH harness connector.

BCM		Rear door lock assembly LH		Continuity
Connector	Terminal	Connector	Terminal	
M119	8	D55	1	Existed
	10		2	

3. Check continuity between BCM harness connector and ground.

BCM		Ground	Continuity
Connector	Terminal		
M119	8		Not existed
	10		

Is the inspection result normal?

- YES >> Replace BCM. Refer to [BCS-81, "Removal and Installation"](#).
NO >> Repair or replace harness.

REAR RH

REAR RH : Description

INFOID:000000008293835

Locks/unlocks the door with the signal from BCM.

REAR RH : Component Function Check

INFOID:000000008293836

1.CHECK FUNCTION

1. Use CONSULT to perform Active Test ("DOOR LOCK").

A
B
C
D
E
F
G
H
I
J
L
M
N
O
P

DLK

DOOR LOCK ACTUATOR

< DTC/CIRCUIT DIAGNOSIS >

2. Touch "ALL LCK" or "ALL UNLK" to check that it works normally.

Is the inspection result normal?

YES >> Door lock actuator is OK.

NO >> Refer to [DLK-74, "REAR RH : Diagnosis Procedure"](#).

REAR RH : Diagnosis Procedure

INFOID:000000008293837

1. CHECK DOOR LOCK ACTUATOR INPUT SIGNAL

1. Turn ignition switch OFF.
2. Disconnect rear door lock assembly RH connector.
3. Check voltage between rear door lock assembly RH harness connector and ground.

(+)		(-)	Condition	Voltage (V) (Approx.)
Connector	Terminal			
D75	1	Ground	Door lock and unlock switch	0 → Battery voltage → 0
	2			0 → Battery voltage → 0

Is the inspection result normal?

YES >> Replace rear door lock assembly RH. Refer to [DLK-216, "REAR DOOR LOCK : Removal and Installation"](#).

NO >> GO TO 2.

2. CHECK DOOR LOCK ACTUATOR CIRCUIT

1. Disconnect BCM connector.
2. Check continuity between BCM harness connector and rear door lock assembly RH harness connector.

BCM		Rear door lock assembly RH		Continuity
Connector	Terminal	Connector	Terminal	
M119	8	D75	2	Existed
	10		1	

3. Check continuity between BCM harness connector and ground.

BCM		Ground	Continuity
Connector	Terminal		
M119	8		Not existed
	10		

Is the inspection result normal?

YES >> Replace BCM. Refer to [BCS-81, "Removal and Installation"](#).

NO >> Repair or replace harness.

FUEL LID LOCK ACTUATOR

< DTC/CIRCUIT DIAGNOSIS >

FUEL LID LOCK ACTUATOR

Description

INFOID:000000008293838

Locks/unlocks the fuel filler lid with the signal from BCM.

Component Function Check

INFOID:000000008293839

1.CHECK FUNCTION

1. Use CONSULT to perform Active Test ("DOOR LOCK").
2. Touch "ALL LOCK" or "ALL UNLOCK" to check that it works normally.

Is the inspection result normal?

- YES >> Fuel lid lock actuator is OK.
 NO >> Refer to [DLK-75. "Diagnosis Procedure"](#).

Diagnosis Procedure

INFOID:000000008293840

1.CHECK FUEL LID LOCK ACTUATOR INPUT SIGNAL

1. Turn ignition switch OFF.
2. Disconnect fuel lid lock actuator connector.
3. Check voltage between fuel lid lock actuator harness connector and ground.

(+)		(-)	Condition	Voltage (V) (Approx.)
Connector	Terminal			
B242	1	Ground	Door lock and unlock switch Unlock	0 → Battery voltage → 0
	2		Door lock and unlock switch Lock	0 → Battery voltage → 0

Is the inspection result normal?

- YES >> Replace fuel lid lock actuator. Refer to [DLK-224. "Removal and Installation"](#).
 NO >> GO TO 2.

2.CHECK FUEL LID LOCK ACTUATOR CIRCUIT

1. Disconnect BCM connector.
2. Check continuity between BCM harness connector and fuel lid lock actuator harness connector.

BCM		Fuel lid lock actuator		Continuity
Connector	Terminal	Connector	Terminal	
M119	8	B242	2	Existed
	9		1	

3. Check continuity between BCM harness connector and ground.

BCM		Ground	Continuity
Connector	Terminal		
M119	8		Not existed
	9		

Is the inspection result normal?

- YES >> Replace BCM. Refer to [BCS-81. "Removal and Installation"](#).
 NO >> Repair or replace harness.

A
B
C
D
E
F
G
H
I
J
L
M
N
O
P

DLK

TRUNK LID OPENER ACTUATOR

< DTC/CIRCUIT DIAGNOSIS >

TRUNK LID OPENER ACTUATOR

Description

INFOID:000000008293841

Performs trunk lid open with signal from BCM.

Component Function Check

INFOID:000000008293842

1.CHECK TRUNK LID OPENER CANCEL SWITCH

Check trunk lid opener cancel switch position.

Does trunk lid opener cancel switch turn OFF (CANCEL)?

- YES >> Turn on trunk lid opener cancel switch.
- NO >> GO TO 2.

2.CHECK FUNCTION

1. Use CONSULT to perform Active Test ("TRUNK/GLASS HATCH").
2. Touch "OPEN" to check that it works normally.

Is the inspection result normal?

- YES >> Trunk lid opener actuator is OK.
- NO >> Refer to [DLK-76. "Diagnosis Procedure"](#).

Diagnosis Procedure

INFOID:000000008293843

1.CHECK TRUNK LID OPENER ACTUATOR INPUT SIGNAL

1. Turn ignition switch OFF.
2. Disconnect trunk lid lock assembly connector.
3. Check voltage between trunk lid lock assembly harness connector and ground.

(+)		(-)	Condition		Voltage (V) (Approx.)
Connector	Terminal				
B303	3	Ground	Trunk lid opener switch	Pressed	0 → Battery voltage → 0

Is the inspection result normal?

- YES >> GO TO 3.
- NO >> GO TO 2.

2.CHECK TRUNK LID OPENER ACTUATOR CIRCUIT

1. Disconnect BCM connector.
2. Check continuity between BCM harness connector and trunk lid lock assembly harness connector.

BCM		Trunk lid lock assembly		Continuity
Connector	Terminal	Connector	Terminal	
M120	23	B303	3	Existed

3. Check continuity between BCM harness connector and ground.

BCM		Ground	Continuity
Connector	Terminal		
M120	23		Not existed

Is the inspection result normal?

- YES >> Replace BCM. Refer to [BCS-81. "Removal and Installation"](#).
- NO >> Repair or replace harness.

3.CHECK TRUNK LID OPENER ACTUATOR GROUND CIRCUIT

Check continuity between trunk lid lock assembly harness connector and ground.

TRUNK LID OPENER ACTUATOR

< DTC/CIRCUIT DIAGNOSIS >

Trunk lid lock assembly		Ground	Continuity
Connector	Terminal		Existed
B303	2		

Is the inspection result normal?

YES >> Replace trunk lid lock assembly. Refer to [DLK-222, "TRUNK LID LOCK : Removal and Installation"](#).

NO >> Repair or replace harness.

A
B
C
D
E
F
G
H
I
J
L
M
N
O
P

DLK

TRUNK ROOM LAMP SWITCH

< DTC/CIRCUIT DIAGNOSIS >

TRUNK ROOM LAMP SWITCH

Description

INFOID:000000008293844

Detects trunk open/close condition.

Component Function Check

INFOID:000000008293845

1.CHECK FUNCTION

Check ("TRNK/HAT MNTR") in "Data Monitor" mode using CONSULT.

Monitor item	Condition	Status
TRNK/HAT MNTR	Trunk lid	Open
		Closed
		ON
		OFF

Is the inspection result normal?

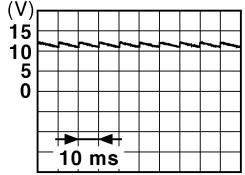
- YES >> Trunk room lamp switch is OK.
 NO >> Refer to [DLK-78, "Diagnosis Procedure"](#).

Diagnosis Procedure

INFOID:000000008293846

1.CHECK TRUNK ROOM LAMP SWITCH INPUT SIGNAL

- Turn ignition switch OFF.
- Disconnect trunk lid lock assembly connector.
- Check signal between trunk lid lock assembly harness connector and ground using oscilloscope.

(+)		(-)	Signal (Reference value)
Trunk lid lock assembly			
Connector	Terminal		
B303	1	Ground	

Is the inspection result normal?

- YES >> GO TO 3.
 NO >> GO TO 2.

2.CHECK TRUNK ROOM LAMP SWITCH CIRCUIT

- Disconnect BCM connector.
- Check continuity between BCM harness connector and trunk lid lock assembly harness connector.

BCM		Trunk lid lock assembly		Continuity
Connector	Terminal	Connector	Terminal	
M121	50	B303	1	Existed

- Check continuity between BCM harness connector and ground.

BCM		Ground	Continuity
Connector	Terminal		
M121	50		Not existed

Is the inspection result normal?

- YES >> Replace BCM. Refer to [BCS-81, "Removal and Installation"](#).

TRUNK ROOM LAMP SWITCH

< DTC/CIRCUIT DIAGNOSIS >

NO >> Repair harness or connector.

3.CHECK TRUNK ROOM LAMP SWITCH GROUND CIRCUIT

Check continuity between trunk lid lock assembly harness connector and ground.

Trunk lid lock assembly		Ground	Continuity
Connector	Terminal		
B303	2		Existed

Is the inspection result normal?

YES >> GO TO 4.

NO >> Repair or replace harness.

4.CHECK TRUNK ROOM LAMP SWITCH

Refer to [DLK-79, "Component Inspection"](#).

Is the inspection result normal?

YES >> GO TO 5.

NO >> Replace trunk lid lock assembly. Refer to [DLK-222, "TRUNK LID LOCK : Removal and Installation"](#).

5.CHECK INTERMITTENT INCIDENT

Refer to [GI-43, "Intermittent Incident"](#).

>> INSPECTION END

Component Inspection

INFOID:000000008293847

1.CHECK TRUNK ROOM LAMP SWITCH

1. Turn ignition switch OFF.
2. Disconnect trunk lid lock assembly connector.
3. Check continuity between trunk lid lock assembly terminals.

Terminal		Condition	Continuity
Trunk lid lock assembly			
1	2	Trunk lid	Open Existed
			Closed Not existed

Is the inspection result normal?

YES >> INSPECTION END

NO >> Replace trunk lid lock assembly. Refer to [DLK-222, "TRUNK LID LOCK : Removal and Installation"](#).

DOOR KEY CYLINDER SWITCH

< DTC/CIRCUIT DIAGNOSIS >

DOOR KEY CYLINDER SWITCH

Description

INFOID:000000008293848

Power window main switch detects condition of the door key cylinder switch and transmits to BCM as the LOCK or UNLOCK signals.

Component Function Check

INFOID:000000008293849

1. CHECK DOOR KEY CYLINDER SWITCH INPUT SIGNAL

Check ("KEY CYL LK-SW", "KEY CYL UN-SW") in "Data Monitor" mode using CONSULT.

Monitor item	Condition		Status
KEY CYL LK-SW	Driver side door key cylinder	Lock	ON
		Neutral / Unlock	OFF
KEY CYL UN-SW		Unlock	ON
		Neutral / Lock	OFF

Is the inspection result normal?

- YES >> Door key cylinder switch is OK.
 NO >> Refer to [DLK-80, "Diagnosis Procedure"](#).

Diagnosis Procedure

INFOID:000000008293850

1. CHECK DOOR KEY CYLINDER SWITCH INPUT SIGNAL

- Turn ignition switch OFF.
- Disconnect front door lock assembly (driver side) connector.
- Check voltage between front door lock assembly (driver side) harness connector and ground.

(+)		(-)	Voltage (V) (Approx.)
Front door lock assembly (driver side)			
Connector	Terminal	Ground	5
D15	5		
	6		

Is the inspection result normal?

- YES >> GO TO 3.
 NO >> GO TO 2.

2. CHECK DOOR KEY CYLINDER SWITCH SIGNAL CIRCUIT

- Disconnect power window main switch connector.
- Check continuity between power window main switch harness connector and front door lock assembly (driver side) harness connector.

Power window main switch		Front door lock assembly (driver side)		Continuity
Connector	Terminal	Connector	Terminal	
D8	4	D15	6	Existed
	6		5	

- Check continuity between power window main switch harness connector and ground.

Power window main switch		Ground	Continuity
Connector	Terminal		Not existed
D8	4		
	6		

DOOR KEY CYLINDER SWITCH

< DTC/CIRCUIT DIAGNOSIS >

Is the inspection result normal?

- YES >> Replace power window main switch. Refer to [PWC-98, "Removal and Installation"](#).
 NO >> Repair or replace harness.

3.CHECK DOOR KEY CYLINDER SWITCH GROUND CIRCUIT

Check continuity between front door lock assembly (driver side) harness connector and ground.

Front door lock assembly (driver side)		Ground	Continuity
Connector	Terminal		
D15	4		Existed

Is the inspection result normal?

- YES >> GO TO 4.
 NO >> Repair or replace harness.

4.CHECK DOOR KEY CYLINDER SWITCH

Refer to [DLK-81, "Component Inspection"](#).

Is the inspection result normal?

- YES >> GO TO 5.
 NO >> Replace front door lock assembly (driver side). Refer to [DLK-213, "FRONT DOOR LOCK : Removal and Installation"](#).

5.CHECK INTERMITTENT INCIDENT

Refer to [GI-43, "Intermittent Incident"](#).

>> INSPECTION END

Component Inspection

INFOID:000000008293851

1.CHECK DOOR KEY CYLINDER SWITCH

1. Turn ignition switch OFF.
2. Disconnect front door lock assembly (driver side) terminal.
3. Check continuity between front door lock assembly (driver side) terminals.

Front door lock assembly (driver side)		Condition	Continuity
Terminal			
5	4	Driver side door key cylinder	Unlock Existed
		Neutral / Lock Not existed	
6		Lock Existed	
		Neutral / Unlock Not existed	

Is the inspection result normal?

- YES >> INSPECTION END
 NO >> Replace front door lock assembly (driver side). Refer to [DLK-213, "FRONT DOOR LOCK : Removal and Installation"](#).

A
B
C
D
E
F
G
H
I
J
L
M
N
O
P

DLK

REMOTE KEYLESS ENTRY RECEIVER

< DTC/CIRCUIT DIAGNOSIS >

REMOTE KEYLESS ENTRY RECEIVER

Description

INFOID:000000008293852

Receives Intelligent Key operation and transmits to BCM.

Component Function Check

INFOID:000000008293853

1.CHECK FUNCTION

Check ("RKE OPE COUN1") in "Data Monitor" mode using CONSULT.

Monitor item	Condition
RKE OPE COUN1	Checks whether value changes when operating Intelligent Key.

Is the inspection result normal?

- YES >> Remote keyless entry receiver is OK.
- NO >> Refer to [DLK-82, "Diagnosis Procedure"](#).

Diagnosis Procedure

INFOID:000000008293854

1.CHECK REMOTE KEYLESS ENTRY RECEIVER POWER SUPPLY

1. Turn ignition switch OFF.
2. Disconnect remote keyless entry receiver connector.
3. Check voltage between remote keyless entry receiver harness connector and ground.

(+)		(-)	Voltage (V) (Approx.)
Connector	Terminal		
M104	4	Ground	12

Is the inspection result normal?

- YES >> GO TO 3.
- NO >> GO TO 2.

2.CHECK REMOTE KEYLESS ENTRY RECEIVER POWER SUPPLYCIRCUIT

1. Disconnect BCM connector.
2. Check continuity between BCM harness connector and remote keyless entry receiver harness connector.

BCM		Remote keyless entry receiver		Continuity
Connector	Terminal	Connector	Terminal	
M122	103	M104	4	Existed

3. Check continuity between BCM harness connector and ground.

BCM		Ground	Continuity
Connector	Terminal		
M122	103		Not existed

Is the inspection result normal?

- YES >> Replace BCM. Refer to [BCS-81, "Removal and Installation"](#).
- NO >> Repair or replace harness.

3.CHECK REMOTE KEYLESS ENTRY RECEIVER GROUND CIRCUIT

1. Disconnect BCM connector.
2. Check continuity between BCM harness connector and remote keyless entry receiver harness connector.

REMOTE KEYLESS ENTRY RECEIVER

< DTC/CIRCUIT DIAGNOSIS >

BCM		Remote keyless entry receiver		Continuity
Connector	Terminal	Connector	Terminal	
M123	137	M104	1	Existed

3. Check continuity between BCM harness connector and ground.

BCM		Ground	Continuity
Connector	Terminal		
M123	137		Not existed

Is the inspection result normal?

- YES >> GO TO 4.
NO >> Repair or replace harness.

4.CHECK BCM SIGNAL

1. Reconnect BCM connector.
2. Check voltage between remote keyless entry receiver harness connector and ground.

(+)		(-)	Voltage (V) (Approx.)
Remote keyless entry receiver			
Connector	Terminal		
M104	2	Ground	12

Is the inspection result normal?

- YES >> GO TO 6.
NO >> GO TO 5.

5.CHECK REMOTE KEYLESS ENTRY RECEIVER CIRCUIT

1. Disconnect BCM connector.
2. Check continuity between BCM harness connector and remote keyless entry receiver harness connector.

BCM		Remote keyless entry receiver		Continuity
Connector	Terminal	Connector	Terminal	
M122	83	M104	2	Existed

3. Check continuity between BCM harness connector and ground.

BCM		Ground	Continuity
Connector	Terminal		
M122	83		Not existed

Is the inspection result normal?

- YES >> Replace BCM. Refer to [BCS-81, "Removal and Installation"](#).
NO >> Repair or replace harness.

6.CHECK REMOTE KEYLESS ENTRY RECEIVER SIGNAL

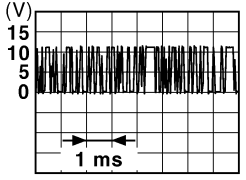
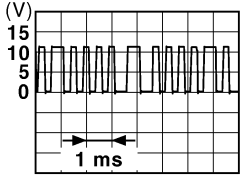
1. Reconnect keyless entry receiver connector.
2. Check signal between remote keyless entry receiver harness connector and ground using oscilloscope.

A
B
C
D
E
F
G
H
I
J
L
M
N
O
P

DLK

REMOTE KEYLESS ENTRY RECEIVER

< DTC/CIRCUIT DIAGNOSIS >

(+)		(-)	Condition	Signal (Reference value)
Remote keyless entry receiver				
Connector	Terminal			
M104	2	Ground	During waiting	
			When operating either button on the Intelligent Key	

Is the inspection result normal?

YES >> GO TO 7.

NO >> Replace remote keyless entry receiver. Refer to [DLK-234, "Removal and Installation"](#).

7. CHECK INTERMITTENT INCIDENT

Refer to [GI-43, "Intermittent Incident"](#).

>> INSPECTION END

TRUNK LID OPENER SWITCH

< DTC/CIRCUIT DIAGNOSIS >

TRUNK LID OPENER SWITCH

Description

INFOID:000000008293855

Transmits trunk lid open signal to BCM.

Component Function Check

INFOID:000000008293856

1.CHECK TRUNK LID OPENER CANCEL SWITCH

Check trunk lid opener cancel switch position.

Does trunk lid opener cancel switch turn ON (CANCEL)?

- YES >> Turn off trunk lid opener cancel switch.
- NO >> GO TO 2.

2.CHECK FUNCTION

Check ("TR/BD OPEN SW") in "Data Monitor" mode using CONSULT.

Monitor item	Condition	Status
TR/BD OPEN SW	Trunk lid opener switch Pressed	ON
	Released	OFF

Is the inspection result normal?

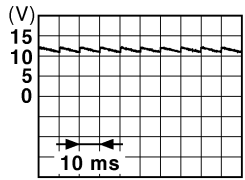
- YES >> Trunk lid opener switch is OK.
- NO >> Refer to [DLK-85, "Diagnosis Procedure"](#).

Diagnosis Procedure

INFOID:000000008293857

1.CHECK TRUNK LID OPENER SWITCH INPUT SIGNAL

1. Turn ignition switch OFF.
2. Disconnect trunk lid opener switch connector.
3. Check signal between trunk lid opener switch harness connector and ground using oscilloscope.

(+)		(-)	Signal (Reference value)
Connector	Terminal		
M20	1	Ground	 <p style="text-align: right;">JPMA0011GB</p>

Is the inspection result normal?

- YES >> GO TO 3.
- NO >> GO TO 2.

2.CHECK TRUNK LID OPENER SWITCH CIRCUIT

1. Disconnect BCM connector.
2. Check continuity between BCM harness connector and trunk lid opener switch harness connector.

BCM		Trunk lid opener switch		Continuity
Connector	Terminal	Connector	Terminal	
M121	67	M20	1	Existed

3. Check continuity between BCM harness connector and ground.

TRUNK LID OPENER SWITCH

< DTC/CIRCUIT DIAGNOSIS >

BCM		Ground	Continuity
Connector	Terminal		
M121	67		Not existed

Is the inspection result normal?

YES >> Replace BCM. Refer to [BCS-81, "Removal and Installation"](#).

NO >> Repair harness or connector.

3.CHECK TRUNK LID OPENER SWITCH GROUND CIRCUIT

Check continuity between trunk lid opener switch harness connector and ground.

Trunk lid opener switch		Ground	Continuity
Connector	Terminal		
M20	2		Existed

Is the inspection result normal?

YES >> GO TO 4.

NO >> Repair or replace harness.

4.CHECK TRUNK LID OPENER SWITCH

Refer to [DLK-86, "Component Inspection"](#).

Is the inspection result normal?

YES >> GO TO 5.

NO >> Replace trunk lid opener switch. Refer to [DLK-232, "Removal and Installation"](#).

5.CHECK INTERMITTENT INCIDENT

Refer to [GI-43, "Intermittent Incident"](#).

>> INSPECTION END

Component Inspection

INFOID:000000008293858

1.CHECK TRUNK LID OPENER SWITCH

1. Turn ignition switch OFF.
2. Disconnect trunk lid opener switch connector.
3. Check continuity between trunk lid opener switch terminals.

Terminal		Condition	Continuity
Trunk lid opener switch			
1	2	Trunk lid opener switch Pressed	Existed
		Released	Not existed

Is the inspection result normal?

YES >> INSPECTION END

NO >> Replace trunk lid opener switch. Refer to [DLK-232, "Removal and Installation"](#).

TRUNK LID OPENER REQUEST SWITCH

< DTC/CIRCUIT DIAGNOSIS >

TRUNK LID OPENER REQUEST SWITCH

Description

INFOID:000000008293859

Performs trunk lid open request when it is pressed.

Component Function Check

INFOID:000000008293860

1.CHECK TRUNK LID OPENER CANCEL SWITCH

Check trunk lid opener cancel switch position.

Does trunk lid opener cancel switch turn ON (CANCEL)?

- YES >> Turn off trunk lid opener cancel switch.
- NO >> GO TO 2.

2.CHECK FUNCTION

Check ("REQSW-BD/TR") in "Data Monitor" mode using CONSULT.

Monitor item	Condition	Status
REQSW-BD/TR	Trunk lid opener request switch Pressed	ON
	Released	OFF

Is the inspection result normal?

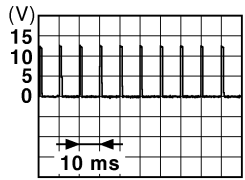
- YES >> Trunk lid opener request switch is OK.
- NO >> Refer to [DLK-87, "Diagnosis Procedure"](#).

Diagnosis Procedure

INFOID:000000008293861

1.CHECK TRUNK LID OPENER REQUEST SWITCH INPUT SIGNAL

1. Turn ignition switch OFF.
2. Disconnect trunk lid opener request switch connector.
3. Check signal between trunk lid opener request switch harness connector and ground with oscilloscope.

(+)		(-)	Signal (Reference value)
Connector	Terminal		
B304	1	Ground	 <p style="text-align: right; font-size: small;">JPMA0016GB</p>

Is the inspection result normal?

- YES >> GO TO 3.
- NO >> GO TO 2.

2.CHECK TRUNK LID OPENER REQUEST SWITCH CIRCUIT

1. Disconnect BCM connector.
2. Check continuity between BCM harness connector and trunk lid opener request switch harness connector.

BCM		Trunk lid opener request switch		Continuity
Connector	Terminal	Connector	Terminal	
M121	61	B304	1	Existed

3. Check continuity between BCM harness connector and ground.

TRUNK LID OPENER REQUEST SWITCH

< DTC/CIRCUIT DIAGNOSIS >

BCM		Ground	Continuity
Connector	Terminal		
M121	61		Not existed

Is the inspection result normal?

YES >> Replace BCM. Refer to [BCS-81, "Removal and Installation"](#).

NO >> Repair harness or connector.

3.CHECK TRUNK LID OPENER REQUEST SWITCH GROUND CIRCUIT

Check continuity between trunk lid opener request switch harness connector and ground.

Trunk lid opener request switch		Ground	Continuity
Connector	Terminal		
B304	2		Existed

Is the inspection result normal?

YES >> GO TO 4.

NO >> Repair or replace harness.

4.CHECK TRUNK LID OPENER REQUEST SWITCH

Refer to [DLK-88, "Component Inspection"](#).

Is the inspection result normal?

YES >> GO TO 5.

NO >> Replace trunk lid opener request switch. Refer to [DLK-231, "Removal and Installation"](#).

5.CHECK INTERMITTENT INCIDENT

Refer to [GI-43, "Intermittent Incident"](#).

>> INSPECTION END

Component Inspection

INFOID:000000008293862

1.CHECK TRUNK LID OPENER REQUEST SWITCH

1. Turn ignition switch OFF.
2. Disconnect trunk lid opener request switch connector.
3. Check continuity between trunk lid opener request switch terminals.

Trunk lid opener request switch		Condition	Continuity
Terminal			
1	2	Trunk lid opener request switch Pressed	Existed
		Released	Not existed

Is the inspection result normal?

YES >> INSPECTION END

NO >> Replace trunk lid opener request switch. Refer to [DLK-231, "Removal and Installation"](#).

TRUNK LID OPENER CANCEL SWITCH

< DTC/CIRCUIT DIAGNOSIS >

TRUNK LID OPENER CANCEL SWITCH

Description

INFOID:000000008293863

Cancels trunk lid open operation.

Component Function Check

INFOID:000000008293864

1. CHECK FUNCTION

Check ("TR CANCEL SW") in "Data Monitor" mode using CONSULT.

Monitor item	Condition	Status
TR CANCEL SW	Trunk lid opener cancel switch ON	ON
	Trunk lid opener cancel switch OFF (Cancel)	OFF

Is the inspection result normal?

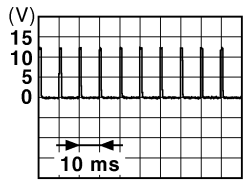
- YES >> Trunk lid opener cancel switch is OK.
 NO >> Refer to [DLK-89, "Diagnosis Procedure"](#).

Diagnosis Procedure

INFOID:000000008293865

1. CHECK TRUNK LID OPENER CANCEL SWITCH INPUT SIGNAL

- Turn ignition switch OFF.
- Disconnect trunk lid opener cancel switch connector.
- Check signal between trunk lid opener cancel switch harness connector and ground with oscilloscope.

(+)		(-)	Signal (Reference value)
Connector	Terminal		
M105	1	Ground	 <p>JPMA0012GB</p>

Is the inspection result normal?

- YES >> GO TO 3.
 NO >> GO TO 2.

2. CHECK TRUNK LID OPENER CANCEL SWITCH CIRCUIT

- Disconnect BCM connector.
- Check continuity between BCM harness connector and trunk lid opener cancel switch harness connector.

BCM		Trunk lid opener cancel switch		Continuity
Connector	Terminal	Connector	Terminal	
M123	129	M105	1	Existed

- Check continuity between BCM harness connector and ground.

BCM		Ground	Continuity
Connector	Terminal		
M123	129		Not existed

Is the inspection result normal?

- YES >> Replace BCM. Refer to [BCS-81, "Removal and Installation"](#).

A
B
C
D
E
F
G
H
I
J
K
L
M
N
O
P

DLK

TRUNK LID OPENER CANCEL SWITCH

< DTC/CIRCUIT DIAGNOSIS >

NO >> Repair harness or connector.

3.CHECK TRUNK LID OPENER CANCEL SWITCH GROUND CIRCUIT

Check continuity between trunk lid opener cancel switch harness connector and ground.

Trunk lid opener cancel switch		Ground	Continuity
Connector	Terminal		
M105	2		Existed

Is the inspection result normal?

YES >> GO TO 4.

NO >> Repair or replace harness.

4.CHECK TRUNK LID OPENER CANCEL SWITCH

Refer to [DLK-90, "Component Inspection"](#).

Is the inspection result normal?

YES >> GO TO 5.

NO >> Replace trunk lid opener cancel switch. Refer to [DLK-233, "Removal and Installation"](#).

5.CHECK INTERMITTENT INCIDENT

Refer to [GI-43, "Intermittent Incident"](#).

>> INSPECTION END

Component Inspection

INFOID:000000008293866

1.CHECK TRUNK LID OPENER CANCEL SWITCH

1. Turn ignition switch OFF.
2. Disconnect trunk lid opener cancel switch connector.
3. Check continuity between trunk lid opener cancel switch terminals.

Trunk lid opener cancel switch		Condition	Continuity
Terminal			
1	2	Trunk lid opener cancel switch ON	Existed
		Trunk lid opener cancel switch OFF (Cancel)	Not existed

Is the inspection result normal?

YES >> INSPECTION END

NO >> Replace trunk lid opener cancel switch. Refer to [DLK-233, "Removal and Installation"](#).

DOOR REQUEST SWITCH

< DTC/CIRCUIT DIAGNOSIS >

DOOR REQUEST SWITCH

Description

INFOID:000000008293867

Transmits lock/unlock operation to BCM.

Component Function Check

INFOID:000000008293868

1.CHECK FUNCTION

Check ("REQ SW -DR" or "REQ SW -AS") in "Data Monitor" mode using CONSULT.

Monitor item	Condition		Status
REQ SW -DR	Driver side door request switch	Pressed	ON
		Released	OFF
REQ SW -AS	Passenger side door request switch	Pressed	ON
		Released	OFF

Is the inspection result normal?

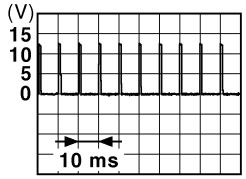
- YES >> Door request switch is OK.
 NO >> Refer to [DLK-91, "Diagnosis Procedure"](#).

Diagnosis Procedure

INFOID:000000008293869

1.CHECK DOOR REQUEST SWITCH INPUT SIGNAL

- Turn ignition switch OFF.
- Disconnect malfunctioning front outside handle connector.
- Check signal between malfunctioning front outside handle harness connector and ground with oscilloscope.

(+)		Terminal	(-)	Signal (Reference value)
Front outside handle				
Connector				
LH	D13	1	Ground	 <p>JPMIA0016GB</p>
RH	D43			

Is the inspection result normal?

- YES >> GO TO 3.
 NO >> GO TO 2.

2.CHECK DOOR REQUEST SWITCH CIRCUIT

- Disconnect BCM connector.
- Check continuity between malfunctioning front outside handle harness connector and BCM harness connector.

DOOR REQUEST SWITCH

< DTC/CIRCUIT DIAGNOSIS >

Front outside handle		BCM		Continuity
Connector	Terminal	Connector	Terminal	
LH	D13	M122	101	Existed
RH	D43		100	

3. Check continuity between malfunctioning front outside handle harness connector and ground.

Front outside handle		Ground	Continuity
Connector	Terminal		
LH	D13	1	Not existed
RH	D43		

Is the inspection result normal?

YES >> Replace BCM. Refer to [BCS-81. "Removal and Installation"](#).

NO >> Repair or replace harness.

3.CHECK DOOR REQUEST SWITCH GROUND CIRCUIT

Check continuity between malfunctioning front outside handle harness connector and ground.

Front outside handle		Ground	Continuity
Connector	Terminal		
LH	D13	2	Existed
RH	D43		

Is the inspection result normal?

YES >> GO TO 4.

NO >> Repair or replace harness.

4.CHECK DOOR REQUEST SWITCH

Refer to [DLK-92. "Component Inspection"](#).

Is the inspection result normal?

YES >> GO TO 5.

NO >> Replace malfunctioning front outside handle. Refer to [DLK-213. "FRONT DOOR LOCK : Removal and Installation"](#).

5.CHECK INTERMITTENT INCIDENT

Refer to [GI-43. "Intermittent Incident"](#).

>> INSPECTION END

Component Inspection

INFOID:000000008293870

1.CHECK DOOR REQUEST SWITCH

1. Turn ignition switch OFF.
2. Disconnect malfunctioning front outside handle connector.
3. Check continuity between malfunctioning front outside handle terminals.

Terminal		Condition	Continuity	
Front outside handle				
1	2	Door request switch	Pressed	Existed
		Released	Not existed	

Is the inspection result normal?

YES >> INSPECTION END

NO >> Replace malfunctioning front outside handle. Refer to [DLK-213. "FRONT DOOR LOCK : Removal and Installation"](#).

UNLOCK SENSOR

< DTC/CIRCUIT DIAGNOSIS >

UNLOCK SENSOR

Description

INFOID:000000008293871

Detects door lock condition of driver side door.

Component Function Check

INFOID:000000008293872

1.CHECK FUNCTION

Check ("UNLK SEN -DR") in "Data Monitor" mode using CONSULT.

Monitor item	Condition		Status
UNLK SEN -DR	Driver side door	Lock	OFF
		Unlock	ON

Is the inspection result normal?

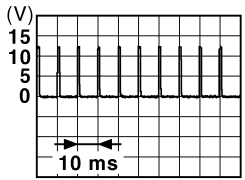
- YES >> Unlock sensor is OK.
 NO >> Refer to [DLK-93, "Diagnosis Procedure"](#).

Diagnosis Procedure

INFOID:000000008293873

1.CHECK UNLOCK SENSOR INPUT SIGNAL

- Turn ignition switch OFF.
- Disconnect front door lock assembly (driver side) connector.
- Check signal between front door lock assembly (driver side) harness connector and ground with oscilloscope.

(+)		(-)	Signal (Reference value)
Connector	Terminal		
D15	3	Ground	 <p>JPMIA0012GB</p>

Is the inspection result normal?

- YES >> GO TO 3.
 NO >> GO TO 2.

2.CHECK UNLOCK SENSOR CIRCUIT

- Disconnect BCM connector.
- Check continuity between BCM harness connector and front door lock assembly (driver side) harness connector.

BCM		Front door lock assembly (driver side)		Continuity
Connector	Terminal	Connector	Terminal	
M123	119	D15	3	Existed

- Check continuity between BCM harness connector and ground.

BCM		Ground	Continuity
Connector	Terminal		
M123	119		Not existed

A
B
C
D
E
F
G
H
I
J
L
M
N
O
P

DLK

UNLOCK SENSOR

< DTC/CIRCUIT DIAGNOSIS >

Is the inspection result normal?

YES >> Replace BCM. Refer to [BCS-81, "Removal and Installation"](#).

NO >> Repair or replace harness.

3.CHECK UNLOCK SENSOR GROUND CIRCUIT

Check continuity between front door lock assembly (driver side) harness connector and ground.

Front door lock assembly (driver side)		Ground	Continuity
Connector	Terminal		
D15	4		Existed

Is the inspection result normal?

YES >> GO TO 4.

NO >> Repair or replace harness.

4.CHECK UNLOCK SENSOR

Refer to [DLK-94, "Component Inspection"](#).

Is the inspection result normal?

YES >> GO TO 5.

NO >> Replace front door lock assembly (driver side). Refer to [DLK-213, "FRONT DOOR LOCK : Removal and Installation"](#).

5.CHECK INTERMITTENT INCIDENT

Refer to [GI-43, "Intermittent Incident"](#).

>> INSPECTION END

Component Inspection

INFOID:000000008293874

1.CHECK UNLOCK SENSOR

1. Turn ignition switch OFF.
2. Disconnect front door lock assembly (driver side) connector.
3. Check continuity between front door lock assembly (driver side) terminals.

Front door lock assembly (driver side)		Condition		Continuity
Terminal				
3	4	Driver side door	Unlock	Existed
			Lock	Not existed

Is the inspection result normal?

YES >> INSPECTION END

NO >> Replace front door lock assembly (driver side). Refer to [DLK-213, "FRONT DOOR LOCK : Removal and Installation"](#).

OUTSIDE KEY ANTENNA

< DTC/CIRCUIT DIAGNOSIS >

OUTSIDE KEY ANTENNA

Description

INFOID:000000008293875

Detects whether Intelligent Key is outside the vehicle.
Integrated in outside handle (driver side, passenger side) and installed in rear bumper.

Component Function Check

INFOID:000000008293876

1. CHECK OUT SIDE KEY ANTENNA FUNCTION

Check that intelligent key is in each outside key antenna detection range.

Does door lock/unlock when each request switch is pressed?

- YES >> Outside key antenna is OK.
NO >> Refer to [DLK-95. "Diagnosis Procedure"](#).

Diagnosis Procedure

INFOID:000000008293877

1. CHECK OUTSIDE KEY ANTENNA INPUT SIGNAL 1

- Turn ignition switch OFF.
- Check signal between BCM harness connector and ground using oscilloscope.

(+)		(-)	Condition	Signal (Reference value)	
BCM					
Connector	Terminal				
LH	M122	76, 77	Ground	Door request switch is pressed	
RH		74, 75			
Rear bumper	M121	38, 39			When Intelligent Key is not in the antenna detection area.

Is the inspection result normal?

- YES >> Replace BCM. Refer to [BCS-81. "Removal and Installation"](#)
NO >> GO TO 2.

2. CHECK OUTSIDE KEY ANTENNA CIRCUIT

- Disconnect BCM connector and malfunctioning outside key antenna connector.
- Check continuity between malfunctioning outside handle or outside key antenna harness connector and BCM harness connector.

OUTSIDE KEY ANTENNA

< DTC/CIRCUIT DIAGNOSIS >

Outside handle/outside key antenna			BCM		Continuity
Connector		Terminal	Connector	Terminal	
LH	D14	1	M122	77	Existed
		2		76	
RH	D44	1		75	
		2		74	
Rear bumper	B63	1	M121	39	
		2		38	

3. Check continuity between malfunctioning outside handle or outside key antenna harness connector and ground.

Outside handle/outside key antenna			Ground	Continuity
Connector		Terminal		
LH	D14	1	Ground	Not existed
		2		
RH	D44	1		
		2		
Rear bumper	B63	1		
		2		

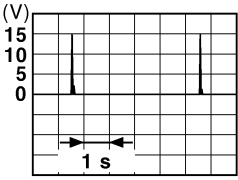
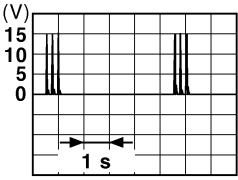
Is the inspection result normal?

YES >> GO TO 3.

NO >> Repair or replace harness.

3.CHECK OUTSIDE KEY ANTENNA INPUT SIGNAL 2

1. Replace malfunctioning outside key antenna. (New antenna or other antenna)
2. Connect BCM connector and malfunctioning outside key antenna (New antenna or other antenna) connector.
3. Check signal between BCM harness connector and ground using oscilloscope.

(+)			(-)	Condition	Signal (Reference value)
BCM					
Connector		Terminal			
LH	M122	76, 77	Ground	Door request switch is pressed	
RH		74, 75			
Rear bumper	M121	38, 39			

Is the inspection result normal?

YES-1 >> Replace outside key antenna LH (driver side). Refer to [DLK-228, "DRIVER SIDE : Removal and Installation"](#).

OUTSIDE KEY ANTENNA

< DTC/CIRCUIT DIAGNOSIS >

- YES-2 >> Replace outside key antenna RH (passenger side). Refer to [DLK-228, "PASSENGER SIDE : Removal and Installation"](#).
- YES-3 >> Replace outside key antenna (rear bumper). Refer to [DLK-228, "REAR BUMPER : Removal and Installation"](#).
- NO >> Replace BCM. Refer to [BCS-81, "Removal and Installation"](#).

A

B

C

D

E

F

G

H

I

J

DLK

L

M

N

O

P

INTELLIGENT KEY WARNING BUZZER

< DTC/CIRCUIT DIAGNOSIS >

INTELLIGENT KEY WARNING BUZZER

Description

INFOID:000000008293878

Answers back and warns for an inappropriate operation.

Component Function Check

INFOID:000000008293879

1.CHECK FUNCTION

1. Use CONSULT to perform Active Test ("OUTSIDE BUZZER").
2. Touch "ON" to check that it works normally.

Is the inspection result normal?

- YES >> Intelligent Key warning buzzer is OK.
NO >> Refer to [DLK-98, "Diagnosis Procedure"](#).

Diagnosis Procedure

INFOID:000000008293880

1.CHECK FUSE

1. Turn ignition switch OFF.
2. Check 10 A fuse, [No.6, located in fuse block (J/B)].

Is the inspection result normal?

- YES >> GO TO 2.
NO >> Replace the blown fuse after repairing the affected circuit if a fuse is blown.

2.CHECK INTELLIGENT KEY WARNING BUZZER POWER SUPPLY CIRCUIT

1. Disconnect Intelligent Key warning buzzer connector.
2. Check voltage between Intelligent Key warning buzzer harness connector and ground.

(+)		(-)	Voltage (V) (Approx.)
Connector	Terminal		
E57	1	Ground	Battery voltage

Is the inspection result normal?

- YES >> GO TO 3.
NO >> Repair or replace harness.

3.CHECK INTELLIGENT KEY WARNING BUZZER CIRCUIT

1. Disconnect BCM connector.
2. Check continuity between BCM harness connector and Intelligent Key warning buzzer harness connector.

BCM		Intelligent Key warning buzzer		Continuity
Connector	Terminal	Connector	Terminal	
M121	64	E57	3	Existed

3. Check continuity between BCM harness connector and ground.

BCM		Ground	Continuity
Connector	Terminal		
M121	64		Not existed

Is the inspection result normal?

- YES >> GO TO 4.
NO >> Repair or replace harness.

4.CHECK INTELLIGENT KEY WARNING BUZZER

Refer to [DLK-99, "Component Inspection"](#).

INTELLIGENT KEY WARNING BUZZER

< DTC/CIRCUIT DIAGNOSIS >

Is the inspection result normal?

- YES >> Replace BCM. Refer to [BCS-81, "Removal and Installation"](#).
NO >> Replace Intelligent Key warning buzzer. Refer to [DLK-229, "Removal and Installation"](#).

Component Inspection

INFOID:000000008293881

1. CHECK INTELLIGENT KEY WARNING BUZZER

1. Turn ignition switch OFF.
2. Disconnect Intelligent Key warning buzzer connector.
3. Connect battery power supply directly to Intelligent Key warning buzzer terminals and check the operation.

Terminal		Operation
Intelligent Key warning buzzer		
(+)	(-)	Buzzer sounds
1	3	

Is the inspection result normal?

- YES >> INSPECTION END
NO >> Replace Intelligent Key warning buzzer. Refer to [DLK-229, "Removal and Installation"](#).

A
B
C
D
E
F
G
H
I
J
L
M
N
O
P

DLK

INTELLIGENT KEY

< DTC/CIRCUIT DIAGNOSIS >

INTELLIGENT KEY

Description

INFOID:000000008293882

The following functions are available when having and carrying electronic ID.

- Door lock/unlock
- Engine start

Remote control entry function and panic alarm function are available when operating on button.

Component Function Check

INFOID:000000008293883

1. CHECK FUNCTION

Check ("RKE OPE COUN1") in Data Monitor mode using CONSULT.

Monitor item	Condition
RKE OPE COUN1	Check that the numerical value is changing while operating on the Intelligent Key.

Is the inspection result normal?

YES >> Intelligent Key is OK.

NO >> Refer to [DLK-100, "Diagnosis Procedure"](#).

Diagnosis Procedure

INFOID:000000008293884

1. CHECK INTELLIGENT KEY BATTERY

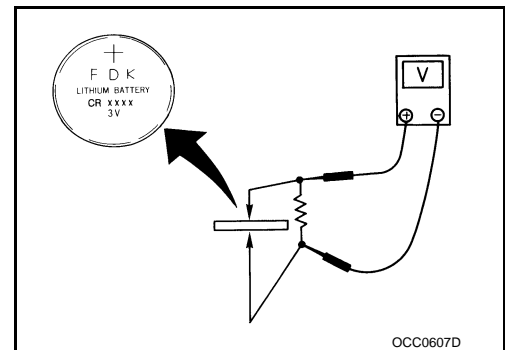
Check by connecting a resistance (approximately 300Ω) so that the current value becomes about 10 mA.

Standard : Approx. 2.5 - 3.0V

Is the measurement value within the specification?

YES >> Replace Intelligent Key.

NO >> Replace Intelligent Key battery. Refer to [DLK-100, "Component Inspection"](#).



OCC0607D

Component Inspection

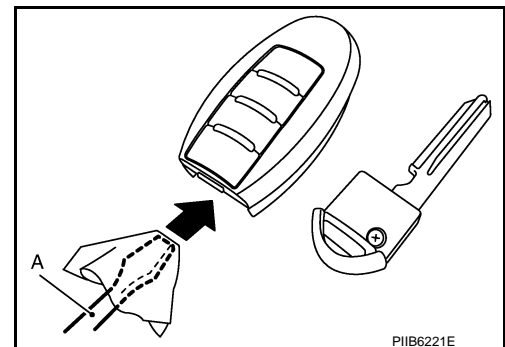
INFOID:000000008293885

1. REPLACE INTELLIGENT KEY BATTERY

1. Release the lock knob at the back of the Intelligent Key and remove the mechanical key.
2. Insert a remover tool (A) wrapped with a cloth into the slit of the corner and twist it to separate the upper part from the lower part.

CAUTION:

- Do not touch the circuit board or battery terminal.
- The key fob is water-resistant. However, if it does get wet, immediately wipe it dry.



PIIB6221E

3. Replace the battery with new one.

INTELLIGENT KEY

< DTC/CIRCUIT DIAGNOSIS >

4. Align the tips of the upper and lower parts, and then push them together until it is securely closed.

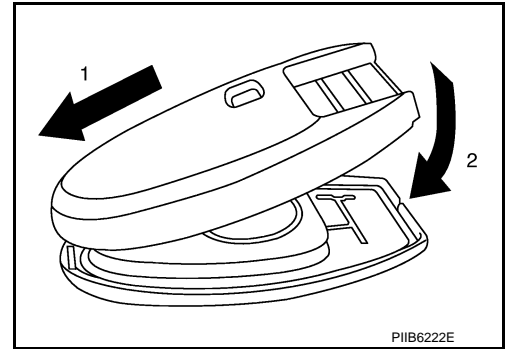
CAUTION:

- When replacing battery, keep dirt, grease, and other foreign materials off the electrode contact area.
- After replacing the battery, check that all Intelligent Key functions work normally.

Is the inspection result normal?

YES >> Intelligent Key is OK.

NO >> Check remote keyless entry receiver. Refer to [DLK-82](#).
["Component Function Check"](#).



INFOID:000000008293886

Special Repair Requirement

Refer to CONSULT Operation Manual NATS-IVIS/NVIS.

A
B
C
D
E
F
G
H
I
J
L
M
N
O
P

DLK

KEY SLOT

< DTC/CIRCUIT DIAGNOSIS >

KEY SLOT

Description

INFOID:000000008293887

Detects whether Intelligent Key is inserted.
Immobilizer antenna amp checks Intelligent Key transponder.

Component Function Check

INFOID:000000008293888

1.CHECK FUNCTION

Check ("KEY SW -SLOT") in "Data Monitor" mode using CONSULT.

Monitor item	Condition		Status
KEY SW-SLOT	Intelligent Key	Inserted in key slot	ON
		Removed from key slot	OFF

Is the inspection result normal?

YES >> Key slot is OK.

NO >> Refer to [DLK-102, "Diagnosis Procedure"](#).

Diagnosis Procedure

INFOID:000000008293889

1.CHECK FUSE

1. Turn ignition switch OFF.
2. Check 10 A fuse, [No.9, located in fuse block (J/B)].

Is the inspection result normal?

YES >> GO TO 2.

NO >> Replace the blown fuse after repairing the affected circuit if a fuse is blown.

2.CHECK KEY SLOT POWER SUPPLY CIRCUIT

1. Disconnect key slot connector.
2. Check voltage between key slot harness connector and ground.

(+)		(-)	Voltage (V) (Approx.)
Key slot			
Connector	Terminal	Ground	Battery voltage
M22	1		

Is the inspection result normal?

YES >> GO TO 3.

NO >> Repair or replace harness.

3.CHECK KEY SLOT CIRCUIT

1. Disconnect BCM connector.
2. Check continuity between BCM harness connector and key slot harness connector.

BCM		Key slot		Continuity
Connector	Terminal	Connector	Terminal	
M123	121	M22	11	Existed

3. Check continuity between BCM harness connector and ground.

BCM		Ground	Continuity
Connector	Terminal		
M123	121		Not existed

Is the inspection result normal?

YES >> GO TO 4.

KEY SLOT

< DTC/CIRCUIT DIAGNOSIS >

NO >> Repair or replace harness.

4.CHECK KEY SLOT

Refer to [DLK-103, "Component Inspection"](#).

Is the inspection result normal?

YES >> Replace BCM. Refer to [BCS-81, "Removal and Installation"](#).

NO >> Replace key slot. Refer to [DLK-230, "Removal and Installation"](#).

Component Inspection

INFOID:000000008293890

1.CHECK KEY SLOT

1. Turn ignition switch OFF.
2. Disconnect key slot connector.
3. Check continuity between key slot terminals.

Key slot		Condition	Continuity	
Terminal				
1	11	Intelligent Key	Inserted in key slot	Existed
			Removed in key slot	Not existed

Is the inspection result normal?

YES >> INSPECTION END

NO >> Replace key slot. Refer to [DLK-230, "Removal and Installation"](#).

A
B
C
D
E
F
G
H
I
J
L
M
N
O
P

DLK

KEY SLOT INDICATOR

< DTC/CIRCUIT DIAGNOSIS >

KEY SLOT INDICATOR

Description

INFOID:000000008293891

Blinks when Intelligent Key insertion is required.

Component Function Check

INFOID:000000008293892

1.CHECK FUNCTION

1. Use CONSULT to perform Active Test ("KEY SLOT ILLUMI").
2. Touch "ON" to check that it works normally.

Is the inspection result normal?

- YES >> Key slot is OK.
NO >> Refer to [DLK-104, "Diagnosis Procedure"](#).

Diagnosis Procedure

INFOID:000000008293893

1.CHECK FUSE

1. Turn ignition switch OFF.
2. Check 10 A fuse, [No. 6, located in fuse block (J/B)].

Is the inspection result normal?

- YES >> GO TO 2.
NO >> Replace the blown fuse after repairing the affected circuit if a fuse is blown.

2.CHECK KEY SLOT POWER SUPPLY CIRCUIT

1. Disconnect key slot connector.
2. Check voltage between key slot harness connector and ground.

(+)		(-)	Voltage (V) (Approx.)
Key slot			
Connector	Terminal	Ground	Battery voltage
M22	5		

Is the inspection result normal?

- YES >> GO TO 3.
NO >> Repair or replace harness.

3.CHECK KEY SLOT CIRCUIT

1. Disconnect BCM connector.
2. Check continuity between BCM harness connector and key slot harness connector.

BCM		Key slot		Continuity
Connector	Terminal	Connector	Terminal	
M122	92	M22	6	Existed

3. Check continuity between BCM harness connector and ground.

BCM		Ground	Continuity
Connector	Terminal		
M122	92		Not existed

Is the inspection result normal?

- YES >> GO TO 4.
NO >> Repair or replace harness.

4.CHECK KEY SLOT

Refer to [DLK-105, "Component Inspection"](#).

KEY SLOT INDICATOR

< DTC/CIRCUIT DIAGNOSIS >

Is the inspection result normal?

- YES >> Replace BCM. Refer to [BCS-81, "Removal and Installation"](#).
- NO >> Replace key slot. Refer to [DLK-230, "Removal and Installation"](#).

Component Inspection

INFOID:000000008293894

1. CHECK KEY SLOT INDICATOR

1. Turn ignition switch OFF.
2. Disconnect key slot connector.
3. Connect battery power supply directly to key slot terminals and check the operation.

Terminal		Operation
Key slot		
(+)	(-)	Key slot illuminates
5	6	

Is the inspection result normal?

- YES >> INSPECTION END
- NO >> Replace key slot. Refer to [DLK-230, "Removal and Installation"](#).

A
B
C
D
E
F
G
H
I
J
L
M
N
O
P

DLK

HORN FUNCTION

< DTC/CIRCUIT DIAGNOSIS >

HORN FUNCTION

Description

INFOID:000000008293895

Performs answer-back for each operation with horn.

Component Function Check

INFOID:000000008293896

1.CHECK FUNCTION

1. Use CONSULT to perform Active Test ("HORN").
2. Touch "ON" to check that it works normally.

Is the operation normal?

- YES >> Horn function is OK.
NO >> Refer to [DLK-106, "Diagnosis Procedure"](#).

Diagnosis Procedure

INFOID:000000008293897

1.CHECK HORN SWITCH

Check horn function with horn switch

Do the horns sound?

- YES >> GO TO 2.
NO >> Refer to [HRN-2, "Wiring Diagram - HORN -"](#).

2.CHECK HORN RELAY POWER SUPPLY

1. Turn ignition switch ON.
2. Perform "ACTIVE TEST" ("HORN") using CONSULT-III.
3. Check voltage between malfunctioning horn relay harness connector and ground.

(+)			(-)	Test item	Voltage (V) (Approx.)
Horn relay					
Connector	Terminal				
Low	E11	1	Ground	HORN	Battery voltage → 0 → Battery voltage
High	E18	3		Other than above	Battery voltage

Is the inspection result normal?

- YES >> GO TO 4.
NO >> GO TO 3.

3.CHECK HORN RELAY CIRCUIT

1. Turn ignition switch OFF.
2. Disconnect IPDM E/R connector and horn relay.
3. Check continuity between IPDM E/R harness connector and malfunctioning horn relay terminal connector.

IPDM E/R		Horn relay		Continuity
Connector	Terminal	Connector	Terminal	
E6	44	E11	1	Existed
	45	E18	3	

4. Check continuity between IPDM E/R harness connector and ground.

IPDM E/R		Ground	Continuity
Connector	Terminal		
E6	44		Not existed
	45		

Is the inspection result normal?

- YES >> Replace IPDM E/R. Refer to [PCS-31, "Removal and Installation"](#).

HORN FUNCTION

< DTC/CIRCUIT DIAGNOSIS >

NO >> Repair or replace harness.

4.CHECK INTERMITTENT INCIDENT

Refer to [GI-43, "Intermittent Incident"](#).

Is the inspection result normal?

>> INSPECTION END

A

B

C

D

E

F

G

H

I

J

DLK

L

M

N

O

P

COMBINATION METER DISPLAY FUNCTION

< DTC/CIRCUIT DIAGNOSIS >

COMBINATION METER DISPLAY FUNCTION

Description

INFOID:000000008293898

Displays each operation method guide and warning for system malfunction.

Component Function Check

INFOID:000000008293899

1.CHECK FUNCTION

Use CONSULT to perform Active Test ("LCD").

Is each warning displayed on meter display?

Is the inspection result normal?

YES >> Combination meter display function is OK.

NO >> Refer to [DLK-108, "Diagnosis Procedure"](#).

Diagnosis Procedure

INFOID:000000008293900

1.CHECK COMBINATION METER

Refer to [MWI-73, "DTC Index"](#).

Is the inspection result normal?

YES >> GO TO 2.

NO >> Check combination meter. Refer to [MWI-4, "Work flow"](#).

2.CHECK INTERMITTENT INCIDENT

Refer to [GI-43, "Intermittent Incident"](#).

>> INSPECTION END

BUZZER (COMBINATION METER)

< DTC/CIRCUIT DIAGNOSIS >

BUZZER (COMBINATION METER)

Description

INFOID:000000008293901

Performs operation method guide and warning with buzzer.

Component Function Check

INFOID:000000008293902

1.CHECK FUNCTION

1. Use CONSULT to perform Active Test ("INSIDE BUZZER").
2. Touch "TAKE OUT", "KNOB" or "KEY" to check that it works normally.

Is the inspection result normal?

- Yes >> Warning buzzer into combination meter is OK.
- No >> Refer to [DLK-109. "Diagnosis Procedure"](#).

Diagnosis Procedure

INFOID:000000008293903

1.CHECK METER BUZZER CIRCUIT

Refer to [WCS-23. "Component Function Check"](#).

Is the inspection result normal?

- Yes >> GO TO 2.
- No >> Repair or replace harness.

2.CHECK INTERMITTENT INCIDENT

Refer to [GI-43. "Intermittent Incident"](#).

>> INSPECTION END

A
B
C
D
E
F
G
H
I
J
L
M
N
O
P

DLK

KEY WARNING LAMP

< DTC/CIRCUIT DIAGNOSIS >

KEY WARNING LAMP

Description

INFOID:000000008293904

Performs operation method guide and warning together with buzzer.

Component Function Check

INFOID:000000008293905

1.CHECK FUNCTION

1. Use CONSULT to perform Active Test ("INDICATOR").
2. Touch "KEY IND" or "KEY ON" to check that it works normally.

Is the inspection result normal?

- YES >> Key warning lamp is OK.
NO >> Refer to [DLK-110, "Diagnosis Procedure"](#).

Diagnosis Procedure

INFOID:000000008293906

1.CHECK KEY WARNING LAMP

Refer to [MWI-4, "Work flow"](#).

Is the inspection result normal?

- YES >> GO TO 2.
NO >> Repair or replace harness.

2.CHECK INTERMITTENT INCIDENT

Refer to [GI-43, "Intermittent Incident"](#).

>> INSPECTION END

HAZARD FUNCTION

< DTC/CIRCUIT DIAGNOSIS >

HAZARD FUNCTION

Description

INFOID:000000008293907

Performs answer-back for each operation with number of blinks.

Component Function Check

INFOID:000000008293908

1.CHECK FUNCTION

1. Use CONSULT to perform Active Test ("FLASHER").
2. Touch "LH" or "RH" to check that it works normally.

Is the inspection result normal?

- YES >> Hazard warning lamp circuit is OK.
NO >> Refer to [DLK-111, "Diagnosis Procedure"](#).

Diagnosis Procedure

INFOID:000000008293909

1.CHECK HAZARD SWITCH CIRCUIT

Refer to [EXL-73, "Wiring Diagram - TURN AND HAZARD WARNING LAMPS -"](#).

Is the inspection result normal?

- YES >> GO TO 2.
NO >> Repair or replace harness.

2.CHECK INTERMITTENT INCIDENT

Refer to [GI-43, "Intermittent Incident"](#).

>> INSPECTION END

A
B
C
D
E
F
G
H
I
J
L
M
N
O
P

DLK

INTEGRATED HOMELINK TRANSMITTER

< DTC/CIRCUIT DIAGNOSIS >

INTEGRATED HOMELINK TRANSMITTER

Description

INFOID:000000008293910

Integrated homelink transmitter can store and transmit a maximum of 3 radio signals. Allows operation of garage doors, gates, home and office lighting, entry door locks and security system, etc. Integrated homelink transmitter power supply uses vehicle battery, which enables it to maintain every program in case battery is discharged or removed.

Component Function Check

INFOID:000000008293911

1.CHECK FUNCTION

Check that system receiver (garage door opener, etc.) operates with original hand-held transmitter.

Is the inspection result normal?

- YES >> GO TO 2.
- NO >> Receiver or hand-held transmitter is malfunctioning.

2.CHECK ILLUMINATE

1. Turn ignition switch OFF.
2. Does red light of transmitter illuminate when any transmitter button is pressed?

Is the inspection result normal?

- YES >> GO TO 3.
- NO >> Refer to [DLK-112. "Diagnosis Procedure"](#).

3.CHECK TRANSMITTER

Check transmitter using Tool*.

*:For details, refer to Technical Service Bulletin.

Is the inspection result normal?

- YES >> Receiver or hand-held transmitter malfunction, not vehicle related.
- NO >> Replace auto anti-dazzling inside mirror (integrated homelink transmitter). Refer to [MIR-14. "Removal and Installation"](#).

Diagnosis Procedure

INFOID:000000008293912

1.CHECK POWER SUPPLY

1. Turn ignition switch OFF.
2. Disconnect auto anti-dazzling inside mirror (homelink universal transceiver) connector.
3. Check voltage between auto anti-dazzling inside mirror (home link universal transceiver) harness connector and ground.

(+)		(-)	Condition		Voltage (V) (Approx.)
Connector	Terminal				
R3	10	Ground	Ignition switch position	OFF	Battery voltage
	6			ON	

Is the inspection result normal?

- YES >> GO TO 2.
- NO-1 >> Check 10 A fuse [No. 6 located in the fuse block (J/B)].
- NO-2 >> Check 10 A fuse [No. 3 located in the fuse block (J/B)].
- NO-3 >> Harness for open or short between fuse and auto anti-dazzling inside mirror (homelink universal transceiver).

2.CHECK GROUND CIRCUIT

Check continuity between auto anti-dazzling inside mirror (homelink universal transceiver) harness connector and ground.

INTEGRATED HOMELINK TRANSMITTER

< DTC/CIRCUIT DIAGNOSIS >

Auto anti-dazzling inside mirror (Homelink universal transceiver)		Ground	Continuity
Connector	Terminal		Existed
R3	8		

Is the inspection result normal?

YES >> GO TO 3.

NO >> Repair harness.

3.CHECK INTERMITTENT INCIDENT

Refer to [GI-43, "Intermittent Incident"](#).

>> INSPECTION END

A
B
C
D
E
F
G
H
I
J
L
M
N
O
P

DLK

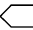
POWER DOOR LOCK SYSTEM

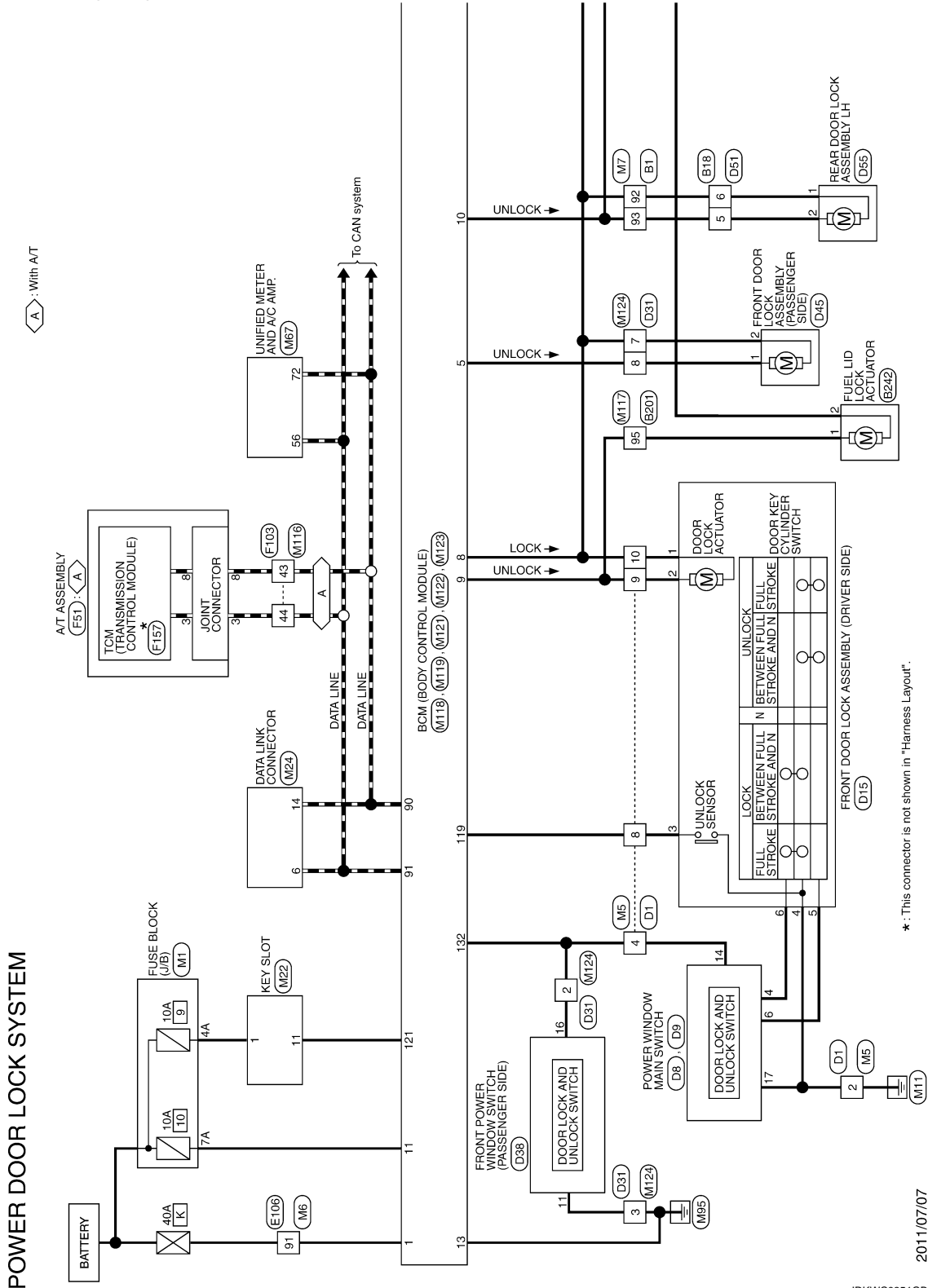
< DTC/CIRCUIT DIAGNOSIS >

POWER DOOR LOCK SYSTEM

Wiring Diagram - POWER DOOR LOCK SYSTEM -

INFOID:000000008293913

For connector terminal arrangements, harness layouts, and alphabets in a  (option abbreviation; if not described in wiring diagram), refer to [GI-12, "Connector Information"](#).



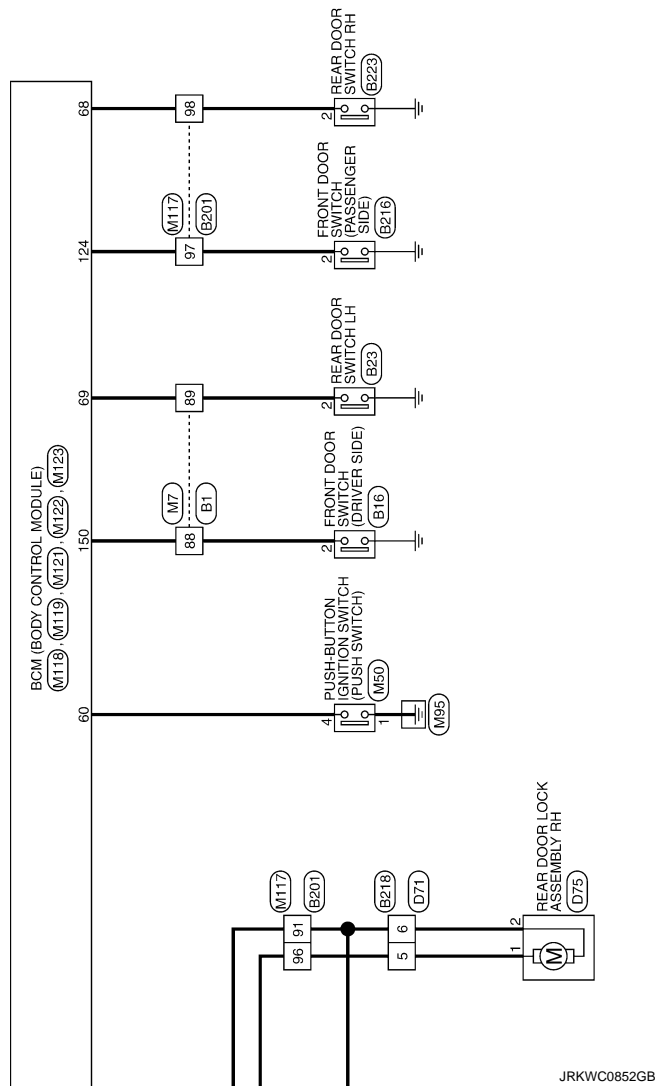
*: This connector is not shown in "Harness Layout".

2011/07/07

JRWKC0851GB

POWER DOOR LOCK SYSTEM

< DTC/CIRCUIT DIAGNOSIS >



A
B
C
D
E
F
G
H
I
J
DLK
L
M
N
O
P

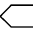
INTELLIGENT KEY SYSTEM

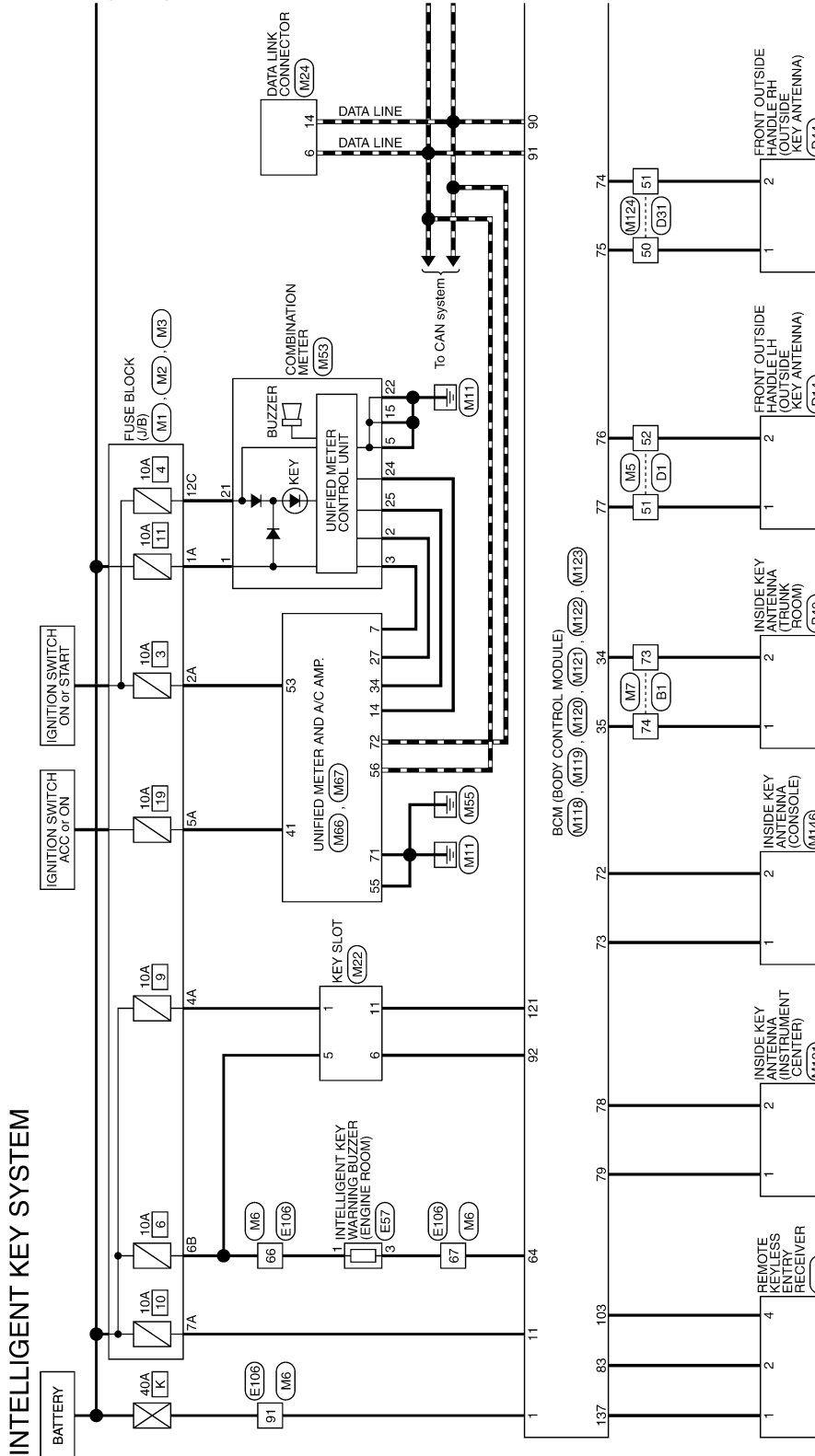
< DTC/CIRCUIT DIAGNOSIS >

INTELLIGENT KEY SYSTEM

Wiring Diagram - INTELLIGENT KEY SYSTEM -

INFOID:000000008293914

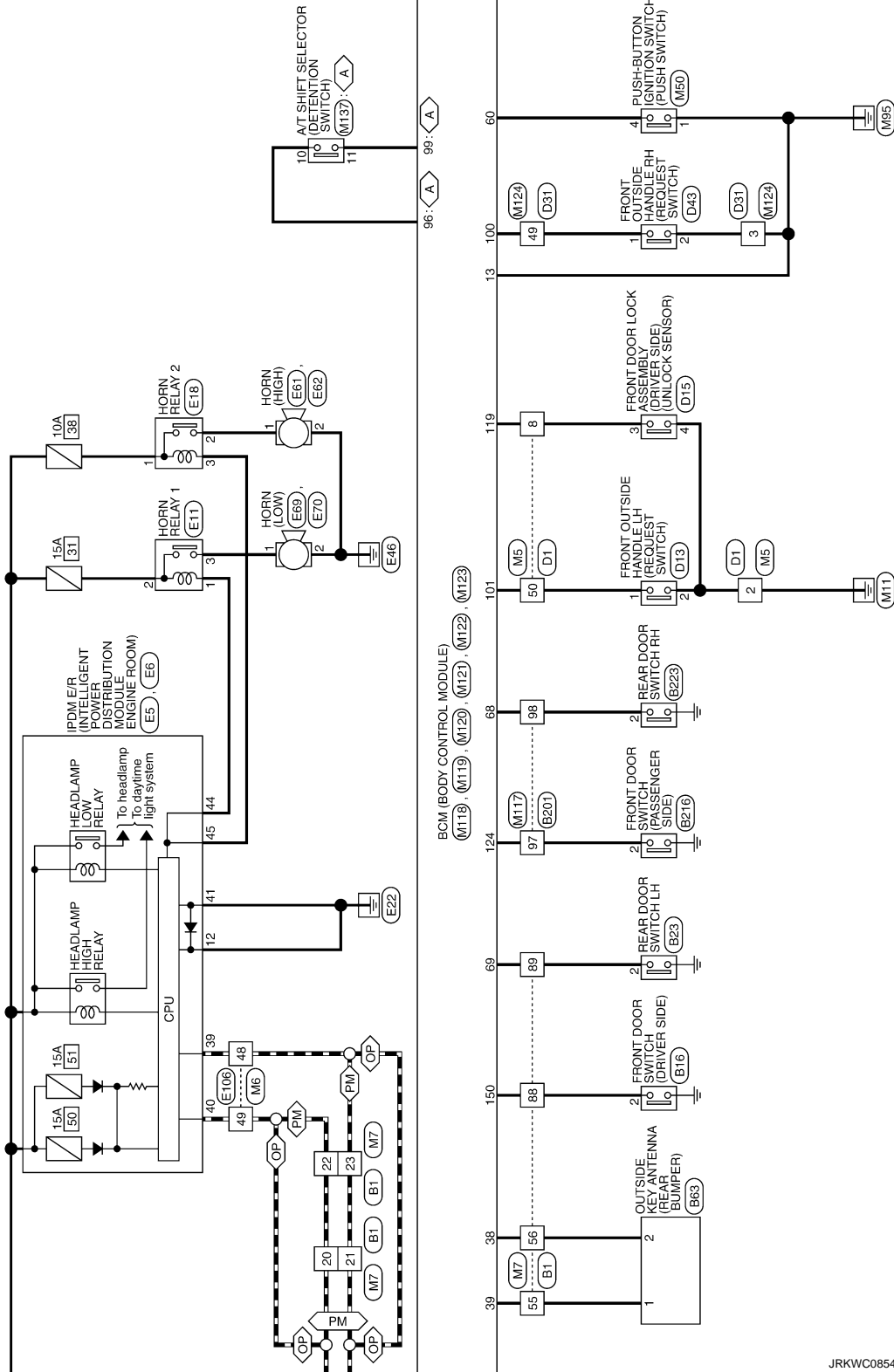
For connector terminal arrangements, harness layouts, and alphabets in a  (option abbreviation; if not described in wiring diagram), refer to [GI-12, "Connector Information"](#).



INTELLIGENT KEY SYSTEM

< DTC/CIRCUIT DIAGNOSIS >

- : With A/T
- : With automatic drive positioner
- : Without automatic drive positioner



JRKWC0854GB

A
B
C
D
E
F
G
H
I
J
DLK
L
M
N
O
P

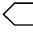
TRUNK LID OPENER

< DTC/CIRCUIT DIAGNOSIS >

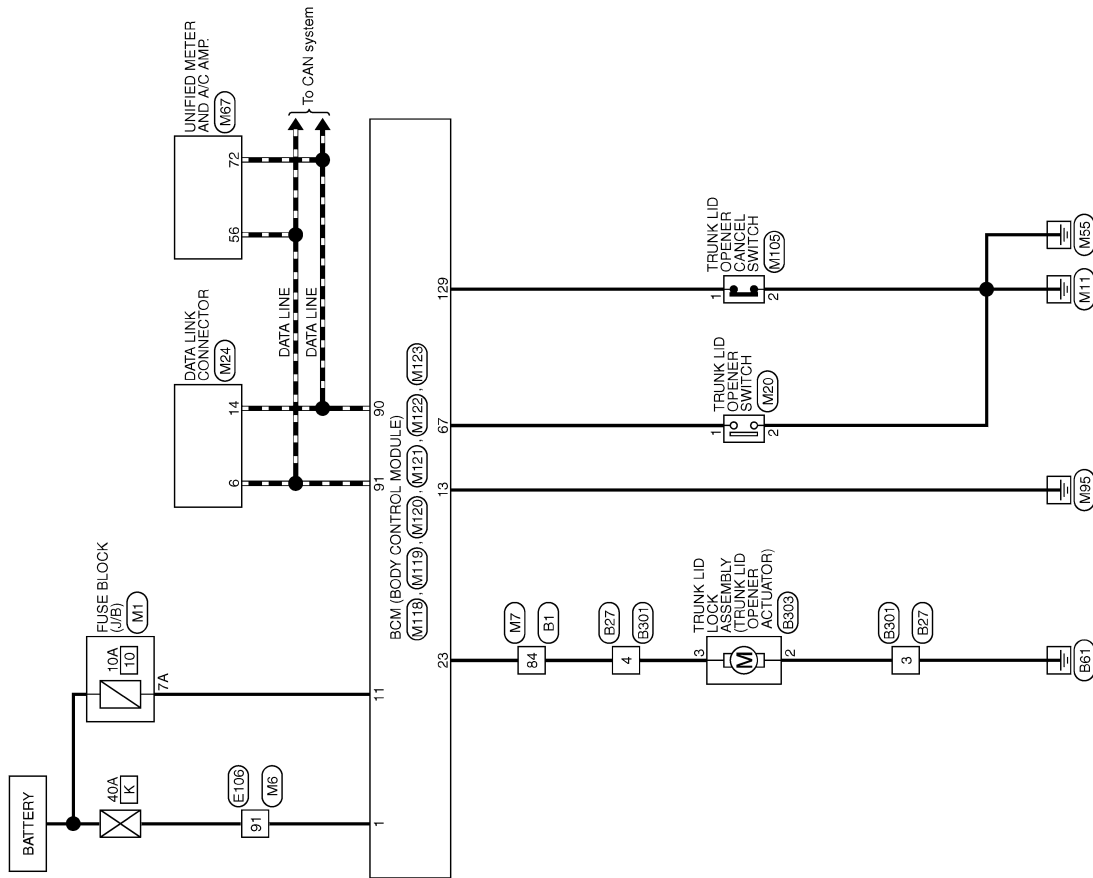
TRUNK LID OPENER

Wiring Diagram - TRUNK LID OPENER -

INFOID:000000008293915

For connector terminal arrangements, harness layouts, and alphabets in a  (option abbreviation; if not described in wiring diagram), refer to [GI-12, "Connector Information"](#).

TRUNK LID OPENER



2008/08/07

JCKWA1858GB

A
B
C
D
E
F
G
H
I
J
K
L
M
N
O
P

DLK

BCM (BODY CONTROL MODULE)

< ECU DIAGNOSIS INFORMATION >

ECU DIAGNOSIS INFORMATION

BCM (BODY CONTROL MODULE)

Reference Value

INFOID:000000008772961

VALUES ON THE DIAGNOSIS TOOL

NOTE:

The following table includes information (items) inapplicable to this vehicle. For information (items) applicable to this vehicle, refer to CONSULT display items.

CONSULT MONITOR ITEM

Monitor Item	Condition	Value/Status
FR WIPER HI	Other than front wiper switch HI	Off
	Front wiper switch HI	On
FR WIPER LOW	Other than front wiper switch LO	Off
	Front wiper switch LO	On
FR WASHER SW	Front washer switch OFF	Off
	Front washer switch ON	On
FR WIPER INT	Other than front wiper switch INT/AUTO	Off
	Front wiper switch INT/AUTO	On
FR WIPER STOP	Front wiper is not in STOP position	Off
	Front wiper is in STOP position	On
INT VOLUME	Wiper volume dial is in a dial position 1 - 7	Wiper volume dial position
TURN SIGNAL R	Other than turn signal switch RH	Off
	Turn signal switch RH	On
TURN SIGNAL L	Other than turn signal switch LH	Off
	Turn signal switch LH	On
TAIL LAMP SW	Other than lighting switch 1ST and 2ND	Off
	Lighting switch 1ST or 2ND	On
HI BEAM SW	Other than lighting switch HI	Off
	Lighting switch HI	On
HEAD LAMP SW 1	Other than lighting switch 2ND	Off
	Lighting switch 2ND	On
HEAD LAMP SW 2	Other than lighting switch 2ND	Off
	Lighting switch 2ND	On
PASSING SW	Other than lighting switch PASS	Off
	Lighting switch PASS	On
AUTO LIGHT SW	Other than lighting switch AUTO	Off
	Lighting switch AUTO	On
FR FOG SW	Front fog lamp switch OFF	Off
	Front fog lamp switch ON	On
RR FOG SW	NOTE: The item is indicated, but not monitored.	Off
DOOR SW-DR	Driver door closed	Off
	Driver door opened	On
DOOR SW-AS	Passenger door closed	Off
	Passenger door opened	On

BCM (BODY CONTROL MODULE)

< ECU DIAGNOSIS INFORMATION >

Monitor Item	Condition	Value/Status
DOOR SW-RR	Rear RH door closed	Off
	Rear LH door opened	On
DOOR SW-RL	Rear LH door closed	Off
	Rear LH door opened	On
DOOR SW-BK	NOTE: The item is indicated, but not monitored.	Off
CDL LOCK SW	Other than power door lock switch LOCK	Off
	Power door lock switch LOCK	On
CDL UNLOCK SW	Other than power door lock switch UNLOCK	Off
	Power door lock switch UNLOCK	On
KEY CYL LK-SW	Other than driver door key cylinder LOCK	Off
	Driver door key cylinder LOCK	On
KEY CYL UN-SW	Other than driver door key cylinder UNLOCK	Off
	Driver door key cylinder LOCK	On
KEY CYL SW-TR	NOTE: The item is indicated, but not monitored.	Off
HAZARD SW	Hazard switch is OFF	Off
	Hazard switch is ON	On
REAR DEF SW	NOTE: The item is indicated, but not monitored.	Off
TR CANCEL SW	Trunk lid opener cancel switch OFF	Off
	Trunk lid opener cancel switch ON	On
TR/BD OPEN SW	Trunk lid opener switch OFF	Off
	While the trunk lid opener switch is turned ON	On
TRNK/HAT MNTR	Trunk lid closed	Off
	Trunk lid opened	On
REVERSE SW	NOTE: The item is indicated, but not monitored.	Off
RKE-LOCK	LOCK button of the Intelligent Key is not pressed	Off
	LOCK button of the Intelligent Key is pressed	On
RKE-UNLOCK	UNLOCK button of the Intelligent Key is not pressed	Off
	UNLOCK button of the Intelligent Key is pressed	On
RKE-TR/BD	TRUNK OPEN button of the Intelligent Key is not pressed	Off
	TRUNK OPEN button of the Intelligent Key is pressed	On
RKE-PANIC	PANIC button of the Intelligent Key is not pressed	Off
	PANIC button of the Intelligent Key is pressed	On
RKE-P/W OPEN	UNLOCK button of the Intelligent Key is not pressed	Off
	UNLOCK button of the Intelligent Key is pressed and held	On
RKE-MODE CHG	LOCK/UNLOCK button of the Intelligent Key is not pressed and held simultaneously	Off
	LOCK/UNLOCK button of the Intelligent Key is pressed and held simultaneously	On
OPTICAL SENSOR	Bright outside of the vehicle	Close to 5 V
	Dark outside of the vehicle	Close to 0 V
REQ SW -DR	Driver door request switch is not pressed	Off
	Driver door request switch is pressed	On

BCM (BODY CONTROL MODULE)

< ECU DIAGNOSIS INFORMATION >

Monitor Item	Condition	Value/Status	
REQ SW -AS	Passenger door request switch is not pressed	Off	A
	Passenger door request switch is pressed	On	
REQ SW -RR	NOTE: The item is indicated, but not monitored.	Off	B
REQ SW -RL	NOTE: The item is indicated, but not monitored.	Off	C
REQ SW -BD/TR	Trunk lid opener request switch is not pressed	Off	
	Trunk lid opener request switch is pressed	On	
PUSH SW	Push-button ignition switch (push switch) is not pressed	Off	D
	Push-button ignition switch (push switch) is pressed	On	
IGN RLY2 -F/B	NOTE: The item is indicated, but not monitored.	Off	E
ACC RLY -F/B	NOTE: The item is indicated, but not monitored.	Off	
CLUCH SW	The clutch pedal is not depressed	Off	F
	The clutch pedal is depressed	On	
BRAKE SW 1	The brake pedal is depressed when No. 7 fuse is blown	Off	
	The brake pedal is not depressed when No. 7 fuse is blown, or No. 7 fuse is normal	On	G
BRAKE SW 2	The brake pedal is not depressed	Off	H
	The brake pedal is depressed	On	
DETE/CANCL SW	<ul style="list-style-type: none"> • Selector lever in P position (Except M/T models) • The clutch pedal is depressed (M/T models) 	Off	I
	<ul style="list-style-type: none"> • Selector lever in any position other than P (Except M/T models) • The clutch pedal is not depressed (M/T models) 	On	
SFT PN/N SW	Selector lever in any position other than P and N	Off	J
	Selector lever in P or N position	On	
S/L -LOCK	NOTE: The item is indicated, but not monitored.	Off	DLK
S/L -UNLOCK	NOTE: The item is indicated, but not monitored.	Off	
S/L RELAY-F/B	NOTE: The item is indicated, but not monitored.	Off	L
UNLK SEN -DR	Driver door is unlocked	Off	
	Driver door is locked	On	M
PUSH SW -IPDM	Push-button ignition switch (push-switch) is not pressed	Off	
	Push-button ignition switch (push-switch) is pressed	On	N
IGN RLY1 -F/B	Ignition switch in OFF or ACC position	Off	
	Ignition switch in ON position	On	
DETE SW -IPDM	Selector lever in any position other than P	Off	O
	Selector lever in P position	On	
SFT PN -IPDM	<ul style="list-style-type: none"> • Selector lever in any position other than P and N (Except M/T models) • The clutch pedal is not depressed (M/T models) 	Off	P
	<ul style="list-style-type: none"> • Selector lever in P or N position (Except M/T models) • The clutch pedal is depressed (M/T models) 	On	
SFT P -MET	Selector lever in any position other than P	Off	
	Selector lever in P position	On	

BCM (BODY CONTROL MODULE)

< ECU DIAGNOSIS INFORMATION >

Monitor Item	Condition	Value/Status
SFT N -MET	Selector lever in any position other than N	Off
	Selector lever in N position	On
ENGINE STATE	Engine stopped	Stop
	While the engine stalls	Stall
	At engine cranking	Crank
	Engine running	Run
S/L LOCK-IPDM	NOTE: The item is indicated, but not monitored.	Off
S/L UNLK-IPDM	NOTE: The item is indicated, but not monitored.	Off
S/L RELAY-REQ	NOTE: The item is indicated, but not monitored.	Off
VEH SPEED 1	While driving	Equivalent to speedometer reading
VEH SPEED 2	While driving	Equivalent to speedometer reading
DOOR STAT-DR	Driver door is locked	LOCK
	Wait with selective UNLOCK operation (60 seconds)	READY
	Driver door is unlocked	UNLOCK
DOOR STAT-AS	Passenger door is locked	LOCK
	Wait with selective UNLOCK operation (60 seconds)	READY
	Passenger door is unlocked	UNLOCK
ID OK FLAG	Driver side door is open after ignition switch is turned OFF (Shift position is in the P position)	Reset
	Ignition switch ON	Set
PRMT ENG STRT	The engine start is prohibited	Reset
	The engine start is permitted	Set
PRMT RKE STRT	NOTE: The item is indicated, but not monitored.	Reset
KEY SW -SLOT	The Intelligent Key is not inserted into key slot	Off
	The Intelligent Key is inserted into key slot	On
RKE OPE COUN1	During the operation of the Intelligent Key	Operation frequency of the Intelligent Key
RKE OPE COUN2	NOTE: The item is indicated, but not monitored.	—
CONFIRM ID ALL	The key ID that the key slot receives is not recognized by any key ID registered to BCM.	Yet
	The key ID that the key slot receives is recognized by any key ID registered to BCM.	Done
CONFIRM ID4	The key ID that the key slot receives is not recognized by the fourth key ID registered to BCM.	Yet
	The key ID that the key slot receives is recognized by the fourth key ID registered to BCM.	Done
CONFIRM ID3	The key ID that the key slot receives is not recognized by the third key ID registered to BCM.	Yet
	The key ID that the key slot receives is recognized by the third key ID registered to BCM.	Done

BCM (BODY CONTROL MODULE)

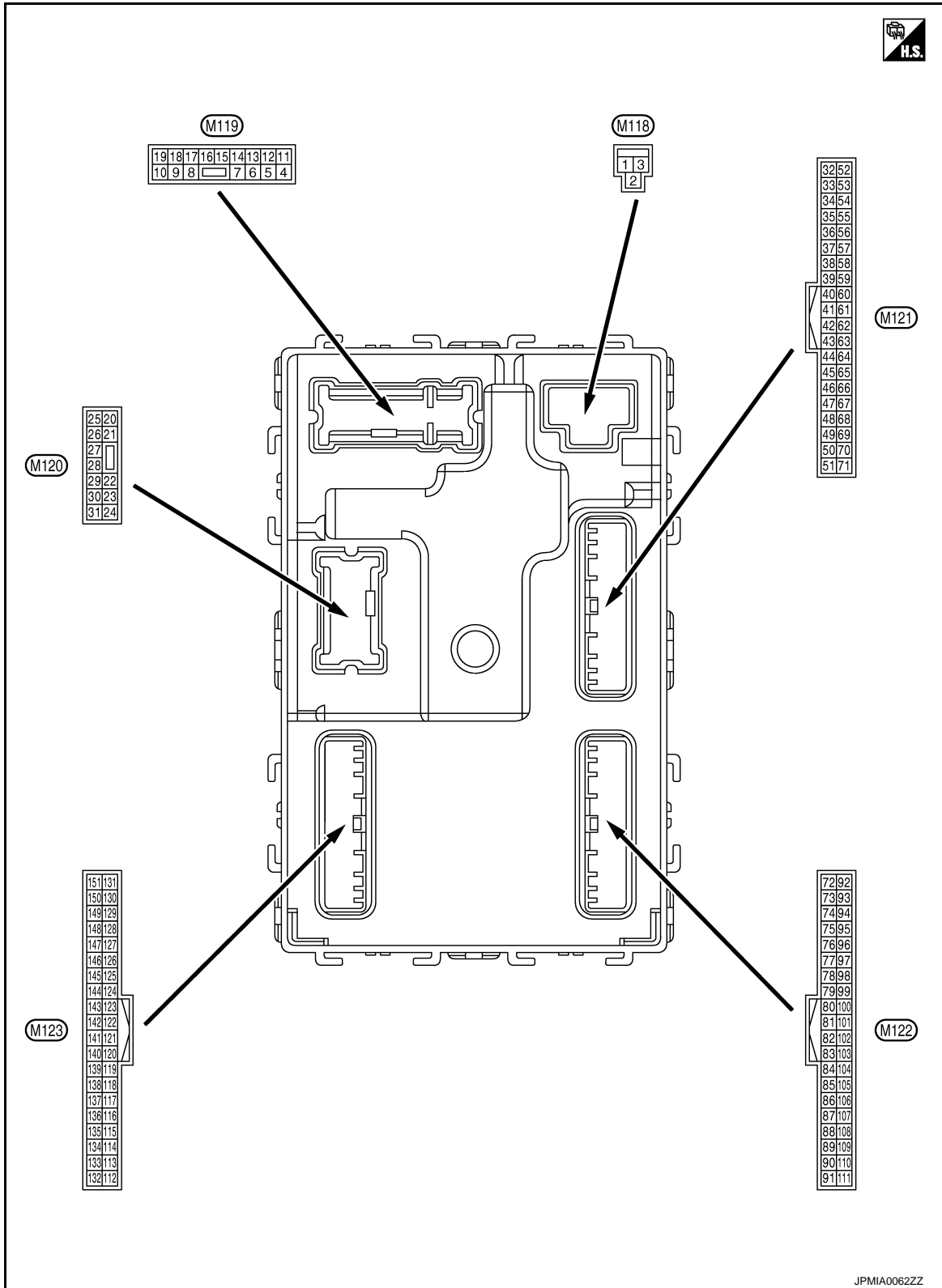
< ECU DIAGNOSIS INFORMATION >

Monitor Item	Condition	Value/Status	
CONFIRM ID2	The key ID that the key slot receives is not recognized by the second key ID registered to BCM.	Yet	A
	The key ID that the key slot receives is recognized by the second key ID registered to BCM.	Done	B
CONFIRM ID1	The key ID that the key slot receives is not recognized by the first key ID registered to BCM.	Yet	C
	The key ID that the key slot receives is recognized by the first key ID registered to BCM.	Done	
TP 4	The ID of fourth Intelligent Key is not registered to BCM	Yet	D
	The ID of fourth Intelligent Key is registered to BCM	Done	
TP 3	The ID of third Intelligent Key is not registered to BCM	Yet	E
	The ID of third Intelligent Key is registered to BCM	Done	
TP 2	The ID of second Intelligent Key is not registered to BCM	Yet	F
	The ID of second Intelligent Key is registered to BCM	Done	
TP 1	The ID of first Intelligent Key is not registered to BCM	Yet	
	The ID of first Intelligent Key is registered to BCM	Done	
AIR PRESS FL	Ignition switch ON (Only when the signal from the transmitter is received)	Air pressure of front LH tire	G
AIR PRESS FR	Ignition switch ON (Only when the signal from the transmitter is received)	Air pressure of front RH tire	H
AIR PRESS RR	Ignition switch ON (Only when the signal from the transmitter is received)	Air pressure of rear RH tire	I
AIR PRESS RL	Ignition switch ON (Only when the signal from the transmitter is received)	Air pressure of rear LH tire	
ID REGST FL1	ID of front LH tire transmitter is registered	Done	J
	ID of front LH tire transmitter is not registered	Yet	
ID REGST FR1	ID of front RH tire transmitter is registered	Done	
	ID of front RH tire transmitter is not registered	Yet	
ID REGST RR1	ID of rear RH tire transmitter is registered	Done	DLK
	ID of rear RH tire transmitter is not registered	Yet	
ID REGST RL1	ID of rear LH tire transmitter is registered	Done	L
	ID of rear LH tire transmitter is not registered	Yet	
WARNING LAMP	Tire pressure indicator OFF	Off	M
	Tire pressure indicator ON	On	
BUZZER	Tire pressure warning alarm is not sounding	Off	N
	Tire pressure warning alarm is sounding	On	

BCM (BODY CONTROL MODULE)

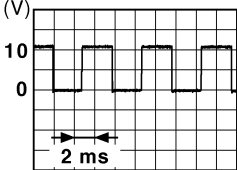
< ECU DIAGNOSIS INFORMATION >

TERMINAL LAYOUT



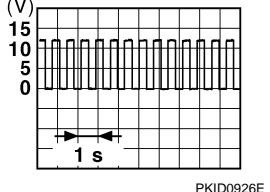
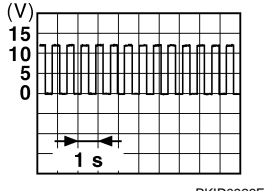
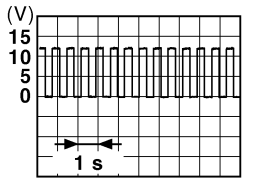
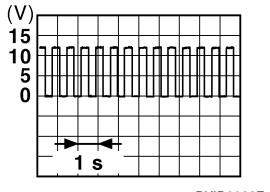
BCM (BODY CONTROL MODULE)

< ECU DIAGNOSIS INFORMATION >

Terminal No. (Wire color)		Description		Condition		Value (Approx.)
		Signal name	Input/ Output			
+	-					
1 (W)	Ground	Battery power supply	Input	Ignition switch OFF		Battery voltage
2 (Y)	Ground	P/W power supply (BAT)	Output	Ignition switch OFF		12 V
3 (BG)	Ground	P/W power supply (RAP)	Output	Ignition switch ON		12 V
4 (LG)	Ground	Interior room lamp power supply	Output	Interior room lamp battery saver is activated. (Cuts the interior room lamp power supply)		0 V
				Interior room lamp battery saver is not activated. (Outputs the interior room lamp power supply)		12 V
5 (P)	Ground	Passenger door UN- LOCK	Output	Passenger door	UNLOCK (Actuator is activated)	12 V
					Other than UNLOCK) Actuator is not activated	0 V
7 (SB)	Ground	Step lamp	Output	Step lamp	ON	0 V
					OFF	12 V
8 (V)	Ground	All doors, fuel lid LOCK	Output	All doors, fuel lid	LOCK (Actuator is activated)	12 V
					Other than LOCK (Actuator is not activated)	0 V
9 (G)	Ground	Driver door, fuel lid UNLOCK	Output	Driver door, fuel lid	UNLOCK (Actuator is activated)	12 V
					Other than UNLOCK (Actuator is not activated)	0 V
10 (P)	Ground	Rear RH door and rear LH door UN- LOCK	Output	Rear RH door and rear LH door	UNLOCK (Actuator is activated)	12 V
					Other than UNLOCK (Actuator is not activated)	0 V
11 (R)	Ground	Battery power supply	Input	Ignition switch OFF		Battery voltage
13 (B)	Ground	Ground	—	Ignition switch ON		0 V
14 (W)	Ground	Push-button ignition switch illumination ground	Output	Tail lamp	OFF	0 V
					ON	<p>NOTE: When the illumination brightening/dimming level is in the neutral position.</p> 
15 (BG)	Ground	ACC indicator lamp	Output	Ignition switch	OFF (LOCK indicator is not illuminated)	Battery voltage
					ACC	0 V

BCM (BODY CONTROL MODULE)

< ECU DIAGNOSIS INFORMATION >

Terminal No. (Wire color)		Description		Condition	Value (Approx.)
+	-	Signal name	Input/ Output		
17 (W)	Ground	Turn signal RH (Front)	Output	Ignition switch ON	Turn signal switch OFF 0 V
				Turn signal switch RH	 6.5 V
18 (BG)	Ground	Turn signal LH (Front)	Output	Ignition switch ON	Turn signal switch OFF 0 V
				Turn signal switch LH	 6.5 V
19 (V)	Ground	Interior room lamp control	Output	Interior room lamp	OFF 12 V
				ON	0 V
20 (V)	Ground	Turn signal RH (Rear)	Output	Ignition switch ON	Turn signal switch OFF 0 V
				Turn signal switch RH	 6.5 V
23 (LG)	Ground	Trunk lid open	Output	Trunk lid	OPEN (Trunk lid opener actuator is activated) 12 V
				Other than OPEN (Trunk lid opener actuator is not activated)	0 V
25 (Y)	Ground	Turn signal LH (Rear)	Output	Ignition switch ON	Turn signal switch OFF 0 V
				Turn signal switch LH	 6.5 V
30 (P)	Ground	Trunk room lamp	Output	Trunk room lamp	ON 0 V
				OFF	12 V

BCM (BODY CONTROL MODULE)

< ECU DIAGNOSIS INFORMATION >

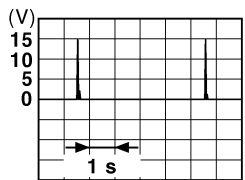
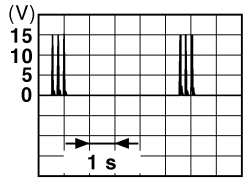
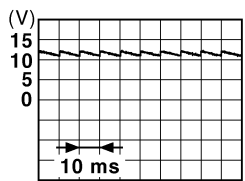
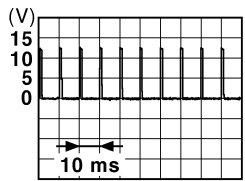
Terminal No. (Wire color)		Description		Condition	Value (Approx.)
+	-	Signal name	Input/ Output		
34 (SB)	Ground	Trunk room antenna (-)	Output	Ignition switch OFF	<p style="text-align: right; font-size: small;">JMKIA0062GB</p>
				When Intelligent Key is not in the passenger compart- ment	<p style="text-align: right; font-size: small;">JMKIA0063GB</p>
35 (V)	Ground	Trunk room antenna (+)	Output	Ignition switch OFF	<p style="text-align: right; font-size: small;">JMKIA0062GB</p>
				When Intelligent Key is not in the passenger compart- ment	<p style="text-align: right; font-size: small;">JMKIA0063GB</p>
38 (B)	Ground	Rear bumper anten- na (-)	Output	When the trunk lid opener re- quest switch is operated with ignition switch OFF	<p style="text-align: right; font-size: small;">JMKIA0062GB</p>
				When Intelligent Key is not in the antenna detection area	<p style="text-align: right; font-size: small;">JMKIA0063GB</p>

A
B
C
D
E
F
G
H
I
J
L
M
N
O
P

DLK

BCM (BODY CONTROL MODULE)

< ECU DIAGNOSIS INFORMATION >

Terminal No. (Wire color)		Description		Condition	Value (Approx.)
+	-	Signal name	Input/ Output		
39 (W)	Ground	Rear bumper antenna (+)	Output	When the trunk lid opener request switch is operated with ignition switch OFF	 <p style="text-align: right; font-size: small;">JMkia0062GB</p>
				When Intelligent Key is in the antenna detection area	 <p style="text-align: right; font-size: small;">JMkia0063GB</p>
47 (Y)	Ground	Ignition relay (IPDM E/R) control	Output	Ignition switch	OFF or ACC ON
				OFF or ACC ON	12 V 0 V
50 (BG)	Ground	Trunk room lamp switch	Input	Trunk room lamp switch	OFF (Trunk lid is closed)
				OFF (Trunk lid is closed)	 <p style="text-align: right; font-size: small;">JPMIA0011GB</p>
52 (R)	Ground	Starter relay control	Output	Ignition switch ON (A/T models)	When selector lever is in P or N position
				When selector lever is not in P or N position	12 V 0 V
52 (R)	Ground	Starter relay control	Output	Ignition switch ON (M/T models)	When the clutch pedal is depressed
				When the clutch pedal is not depressed	Battery voltage 0 V
60 (BR)	Ground	Push-button ignition switch (Push switch)	Input	Push-button ignition switch (push switch)	Pressed
				Pressed	0 V Battery voltage
61 (SB)	Ground	Trunk lid opener request switch	Input	Trunk lid opener request switch	ON (Pressed)
				ON (Pressed)	0 V
61 (SB)	Ground	Trunk lid opener request switch	Input	Trunk lid opener request switch	OFF (Not pressed)
				OFF (Not pressed)	 <p style="text-align: right; font-size: small;">JPMIA0016GB</p>
64 (G)	Ground	Intelligent Key warning buzzer (Engine room)	Output	Intelligent Key warning buzzer (Engine room)	Sounding
				Sounding	0 V 12 V

BCM (BODY CONTROL MODULE)

< ECU DIAGNOSIS INFORMATION >

Terminal No. (Wire color)		Description		Condition	Value (Approx.)	
+	-	Signal name	Input/ Output			
67 (GR)	Ground	Trunk lid opener switch	Input	Trunk lid opener switch	Pressed	0 V
					Not pressed	<p style="text-align: right;">JPMA0011GB</p>
68 (BG)	Ground	Rear RH door switch	Input	Rear RH door switch	OFF (When rear RH door closes)	<p style="text-align: right;">JPMA0011GB</p>
					ON (When rear RH door opens)	0 V
69 (L)	Ground	Rear LH door switch	Input	Rear LH door switch	OFF (When rear LH door closes)	<p style="text-align: right;">JPMA0011GB</p>
					ON (When rear LH door opens)	0 V
72 (R)	Ground	Room antenna 2 (-) (Center console)	Output	Ignition switch OFF	When Intelligent Key is in the passenger compartment	<p style="text-align: right;">JMKIA0062GB</p>
					When Intelligent Key is not in the passenger compartment	<p style="text-align: right;">JMKIA0063GB</p>

A
B
C
D
E
F
G
H
I
J
L
M
N
O
P

DLK

BCM (BODY CONTROL MODULE)

< ECU DIAGNOSIS INFORMATION >

Terminal No. (Wire color)		Description		Condition	Value (Approx.)
+	-	Signal name	Input/ Output		
73 (G)	Ground	Room antenna 2 (+) (Center console)	Output	Ignition switch OFF	<p style="text-align: right; font-size: small;">JMKIA0062GB</p>
				When Intelligent Key is not in the passenger compart- ment	<p style="text-align: right; font-size: small;">JMKIA0063GB</p>
74 (SB)	Ground	Passenger door an- tenna (-)	Output	When the pas- senger door re- quest switch is operated with ignition switch OFF	<p style="text-align: right; font-size: small;">JMKIA0062GB</p>
				When Intelligent Key is not in the antenna detection area	<p style="text-align: right; font-size: small;">JMKIA0063GB</p>
75 (BR)	Ground	Passenger door an- tenna (+)	Output	When the pas- senger door re- quest switch is operated with ignition switch OFF	<p style="text-align: right; font-size: small;">JMKIA0062GB</p>
				When Intelligent Key is not in the antenna detection area	<p style="text-align: right; font-size: small;">JMKIA0063GB</p>

BCM (BODY CONTROL MODULE)

< ECU DIAGNOSIS INFORMATION >

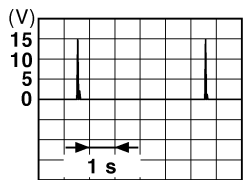
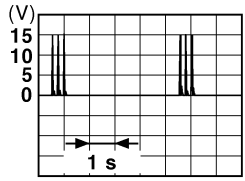
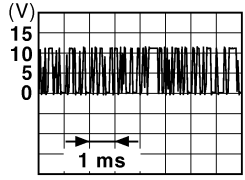
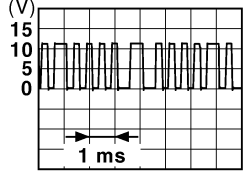
Terminal No. (Wire color)		Description		Condition	Value (Approx.)
+	-	Signal name	Input/ Output		
76 (V)	Ground	Driver door antenna (-)	Output	When the driver door request switch is operated with ignition switch OFF	<p style="text-align: right; font-size: small;">JMkia0062GB</p>
				When Intelligent Key is not in the antenna detection area	<p style="text-align: right; font-size: small;">JMkia0063GB</p>
77 (LG)	Ground	Driver door antenna (+)	Output	When the driver door request switch is operated with ignition switch OFF	<p style="text-align: right; font-size: small;">JMkia0062GB</p>
				When Intelligent Key is not in the antenna detection area	<p style="text-align: right; font-size: small;">JMkia0063GB</p>
78 (Y)	Ground	Room antenna 1 (-) (Instrument panel)	Output	Ignition switch OFF	<p style="text-align: right; font-size: small;">JMkia0062GB</p>
				When Intelligent Key is not in the passenger compartment	<p style="text-align: right; font-size: small;">JMkia0063GB</p>

A
B
C
D
E
F
G
H
I
J
L
M
N
O
P

DLK

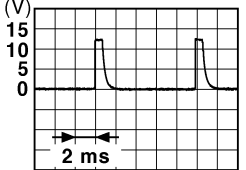

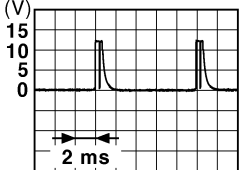
BCM (BODY CONTROL MODULE)

< ECU DIAGNOSIS INFORMATION >

Terminal No. (Wire color)		Description		Condition	Value (Approx.)	
+	-	Signal name	Input/ Output			
79 (BR)	Ground	Room antenna 1 (+) (Instrument panel)	Output	Ignition switch OFF	 <p style="text-align: right; font-size: small;">JMkia0062GB</p>	
				When Intelligent Key is not in the passenger compart- ment	 <p style="text-align: right; font-size: small;">JMkia0063GB</p>	
80 (GR)	Ground	NATS antenna amp.	Input/ Output	During waiting	Ignition switch is pressed while inserting the Intelli- gent Key into the key slot.	Just after pressing ignition switch. Pointer of tester should move.
81 (W)	Ground	NATS antenna amp.	Input/ Output	During waiting	Ignition switch is pressed while inserting the Intelli- gent Key into the key slot.	Just after pressing ignition switch. Pointer of tester should move.
82 (SB)	Ground	Ignition relay [Fuse block (J/B)] control	Output	Ignition switch	OFF or ACC	0 V
					ON	12 V
83 (Y)	Ground	Remote keyless entry receiver communica- tion	Input/ Output	During waiting		 <p style="text-align: right; font-size: small;">JMkia0064GB</p>
				When operating either button on the Intelli- gent Key		 <p style="text-align: right; font-size: small;">JMkia0065GB</p>

BCM (BODY CONTROL MODULE)

< ECU DIAGNOSIS INFORMATION >

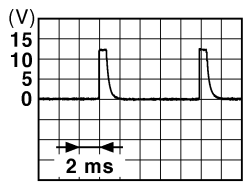
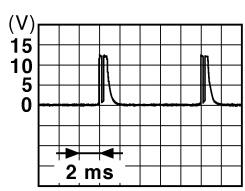

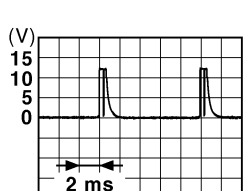
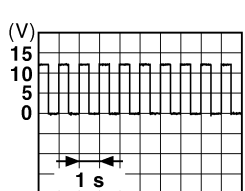
Terminal No. (Wire color)		Description		Condition	Value (Approx.)	
+	-	Signal name	Input/ Output			
87 (Y)	Ground	Combination switch INPUT 5	Input	Combination switch	All switches OFF (Wiper volume dial 4)	 <p>1.4 V</p>
					Front fog lamp switch ON (Wiper volume dial 4)	 <p>1.3 V</p>
					Any of the conditions below with all switches OFF <ul style="list-style-type: none"> • Wiper volume dial 1 • Wiper volume dial 2 • Wiper volume dial 6 • Wiper volume dial 7 	 <p>1.3 V</p>

A
B
C
D
E
F
G
H
I
J
L
M
N
O
P

DLK

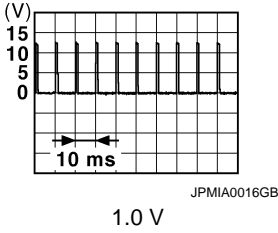
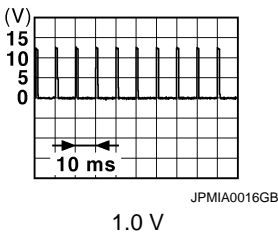
BCM (BODY CONTROL MODULE)

< ECU DIAGNOSIS INFORMATION >

Terminal No. (Wire color)		Description		Condition	Value (Approx.)	
+	-	Signal name	Input/ Output			
88 (BG)	Ground	Combination switch INPUT 3	Input	Combination switch	All switches OFF (Wiper volume dial 4)	 <p style="text-align: center;">1.4 V</p>
					Lighting switch HI (Wiper volume dial 4)	 <p style="text-align: center;">1.3 V</p>
					Lighting switch 2ND (Wiper volume dial 4)	 <p style="text-align: center;">1.3 V</p>
					Any of the conditions below with all switches OFF <ul style="list-style-type: none"> • Wiper volume dial 1 • Wiper volume dial 2 • Wiper volume dial 3 	 <p style="text-align: center;">1.3 V</p>
90 (P)	Ground	CAN-L	Input/ Output	—	—	
91 (L)	Ground	CAN-H	Input/ Output	—	—	
92 (LG)	Ground	Key slot illumination	Output	Key slot illumi- nation	OFF	12 V
					Blinking	 <p style="text-align: center;">6.5 V</p>
93 (GR)	Ground	ON indicator lamp	Output	Ignition switch	OFF (LOCK indicator is not illuminated)	Battery voltage
					ON	0 V

BCM (BODY CONTROL MODULE)

< ECU DIAGNOSIS INFORMATION >

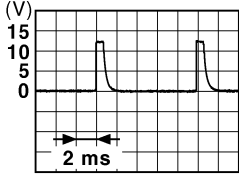




Terminal No. (Wire color)		Description		Condition		Value (Approx.)
+	-	Signal name	Input/ Output			
95 (BG)	Ground	ACC relay control	Output	Ignition switch	OFF	0 V
					ACC or ON	12 V
96 (GR)	Ground	A/T shift selector (Detention switch) power supply	Output	—		12 V
99 (R)*1 (BR)*2	Ground	Selector lever P position switch (A/T models)		Selector lever	P position	0 V
					Any position other than P	12 V
		ASCD clutch switch (M/T models without ICC)	Input	ASCD clutch switch	OFF (Clutch pedal is depressed)	0 V
					ON (Clutch pedal is not depressed)	12 V
		ICC clutch switch (M/T models with ICC)	Input	ICC clutch switch	OFF (Clutch pedal is depressed)	0 V
					ON (Clutch pedal is not depressed)	12 V
100 (Y)	Ground	Passenger door request switch	Input	Passenger door request switch	ON (Pressed)	0 V
					OFF (Not pressed)	
101 (P)	Ground	Driver door request switch	Input	Driver door request switch	ON (Pressed)	0 V
					OFF (Not pressed)	
102 (BG)	Ground	Blower fan motor relay control	Output	Ignition switch	OFF or ACC	0 V
					ON	12 V
103 (P)	Ground	Remote keyless entry receiver power supply	Output	Ignition switch OFF		12 V

A
B
C
D
E
F
G
H
I
J
L
M
N
O
P

DLK

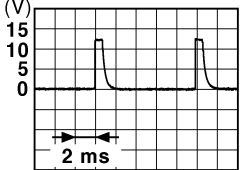

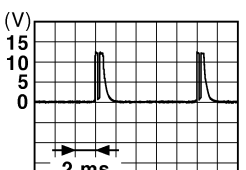
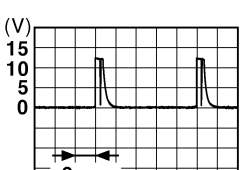
BCM (BODY CONTROL MODULE)

< ECU DIAGNOSIS INFORMATION >

Terminal No. (Wire color)		Description		Condition	Value (Approx.)
+	-	Signal name	Input/ Output		
107 (LG)	Ground	Combination switch INPUT 1	Input	Combination switch (Wiper volume dial 4)	All switches OFF <div style="text-align: right;">  <p style="text-align: right; margin-top: 0;">JPMIA0041GB 1.4 V</p> </div>
					Turn signal switch LH <div style="text-align: right;">  <p style="text-align: right; margin-top: 0;">JPMIA0037GB 1.3 V</p> </div>
					Turn signal switch RH <div style="text-align: right;">  <p style="text-align: right; margin-top: 0;">JPMIA0036GB 1.3 V</p> </div>
					Front wiper switch LO <div style="text-align: right;">  <p style="text-align: right; margin-top: 0;">JPMIA0038GB 1.3 V</p> </div>
					Front washer switch ON <div style="text-align: right;">  <p style="text-align: right; margin-top: 0;">JPMIA0039GB 1.3 V</p> </div>

BCM (BODY CONTROL MODULE)

< ECU DIAGNOSIS INFORMATION >

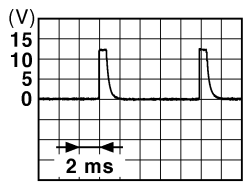
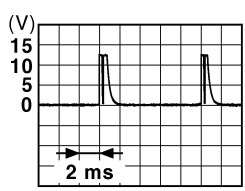
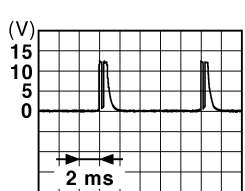
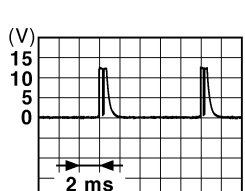
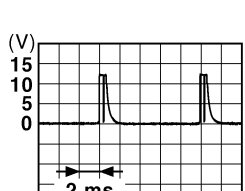
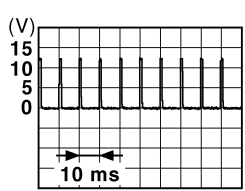
Terminal No. (Wire color)		Description		Condition	Value (Approx.)
+	-	Signal name	Input/ Output		
108 (R)	Ground	Combination switch INPUT 4	Input	Combination switch	All switches OFF (Wiper volume dial 4)  1.4 V
					Lighting switch AUTO (Wiper volume dial 4)  1.3 V
					Lighting switch 1ST (Wiper volume dial 4)  1.3 V
					Any of the conditions below with all switches OFF <ul style="list-style-type: none"> • Wiper volume dial 1 • Wiper volume dial 5 • Wiper volume dial 6  1.3 V

A
B
C
D
E
F
G
H
I
J
L
M
N
O
P

DLK

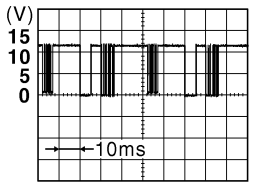
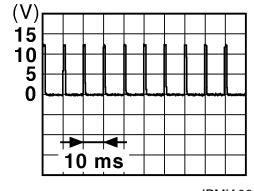
BCM (BODY CONTROL MODULE)

< ECU DIAGNOSIS INFORMATION >

Terminal No. (Wire color)		Description		Condition	Value (Approx.)	
+	-	Signal name	Input/ Output			
109 (W)	Ground	Combination switch INPUT 2	Input	Combination switch (Wiper volume dial 4)	All switches OFF	 <p style="text-align: right; font-size: small;">JPMA0041GB</p> <p style="text-align: center;">1.4 V</p>
					Lighting switch PASS	 <p style="text-align: right; font-size: small;">JPMA0037GB</p> <p style="text-align: center;">1.3 V</p>
					Lighting switch 2ND	 <p style="text-align: right; font-size: small;">JPMA0036GB</p> <p style="text-align: center;">1.3 V</p>
					Front wiper switch INT/ AUTO	 <p style="text-align: right; font-size: small;">JPMA0038GB</p> <p style="text-align: center;">1.3 V</p>
					Front wiper switch HI	 <p style="text-align: right; font-size: small;">JPMA0040GB</p> <p style="text-align: center;">1.3 V</p>
					ON	0 V
110 (G)	Ground	Hazard switch	Input	Hazard switch		
				OFF	 <p style="text-align: right; font-size: small;">JPMA0012GB</p> <p style="text-align: center;">1.1 V</p>	

BCM (BODY CONTROL MODULE)

< ECU DIAGNOSIS INFORMATION >

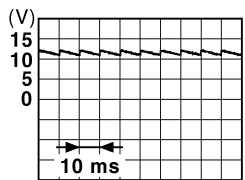
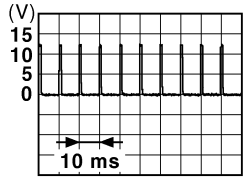
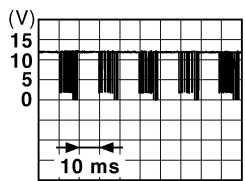
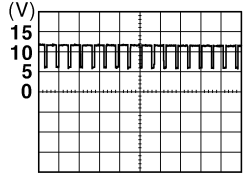
Terminal No. (Wire color)		Description		Condition	Value (Approx.)
+	-	Signal name	Input/ Output		
112 (R)	Ground	Rain sensor serial link	Input/ Output	Ignition switch ON	 <p style="text-align: center;">8.7 V</p>
113 (BG)	Ground	Optical sensor	Input	Ignition switch ON	When bright outside of the vehicle Close to 5 V
				Ignition switch OFF	When dark outside of the vehicle Close to 0 V
114 (R)	Ground	Clutch interlock switch	Input	Clutch interlock switch OFF (Clutch pedal is not depressed)	0 V
				Clutch interlock switch ON (Clutch pedal is depressed)	Battery voltage
116 (SB)	Ground	Stop lamp switch 1	Input	—	Battery voltage
118 (BR)	Ground	Stop lamp switch 2 (Without ICC)	Input	Stop lamp switch OFF (Brake pedal is not depressed)	0 V
				Stop lamp switch ON (Brake pedal is depressed)	Battery voltage
		Stop lamp switch 2 (With ICC)		Stop lamp switch OFF (Brake pedal is not depressed) and ICC brake hold relay OFF	0 V
				Stop lamp switch ON (Brake pedal is depressed) or ICC brake hold relay ON	Battery voltage
119 (SB)	Ground	Front door lock assembly driver side (Unlock sensor)	Input	Driver door LOCK status (Unlock sensor switch OFF)	 <p style="text-align: center;">1.1 V</p>
				Driver door UNLOCK status (Unlock switch sensor ON)	0 V
121 (SB)	Ground	Key slot switch	Input	When the Intelligent Key is inserted into key slot	12 V
				When the Intelligent Key is not inserted into key slot	0 V
123 (V)	Ground	IGN feedback	Input	Ignition switch OFF or ACC	0 V
				Ignition switch ON	Battery voltage

A
B
C
D
E
F
G
H
I
J
L
M
N
O
P

DLK

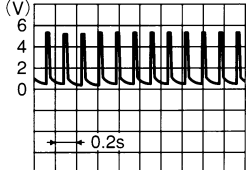

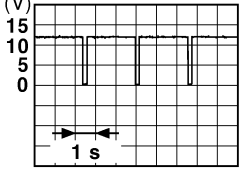
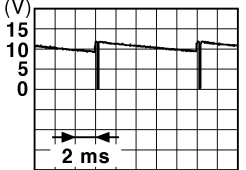

BCM (BODY CONTROL MODULE)

< ECU DIAGNOSIS INFORMATION >

Terminal No. (Wire color)		Description		Condition	Value (Approx.)	
+	-	Signal name	Input/ Output			
124 (R)	Ground	Passenger door switch	Input	Passenger door switch	 <p style="text-align: right; font-size: small;">JPMA0011GB</p> <p style="text-align: center;">11.8 V</p>	
				OFF (Door close)	0 V	
129 (BG)	Ground	Trunk lid opener cancel switch	Input	Trunk lid open- er cancel switch	 <p style="text-align: right; font-size: small;">JPMA0012GB</p> <p style="text-align: center;">1.1 V</p>	
				CANCEL	0 V	
132 (V)	Ground	Power window switch communication	Input/ Output	Ignition switch ON	 <p style="text-align: right; font-size: small;">JPMA0013GB</p> <p style="text-align: center;">10.2 V</p>	
				Ignition switch OFF or ACC	12 V	
133 (L)	Ground	Push-button ignition switch illumination	Output	Push-button ig- nition switch il- lumination	<p style="text-align: center;">NOTE: The pulse width of this wave is varied by the illumination bright- ening/dimming level.</p>  <p style="text-align: right; font-size: small;">JPMA0159GB</p>	
				ON (Tail lamps OFF)	9.5 V	
				ON (Tail lamps ON)		
				OFF	0 V	
134 (LG)	Ground	LOCK indicator lamp	Output	LOCK indicator lamp	OFF	Battery voltage
				ON	0 V	
137 (BG)	Ground	Receiver and sensor ground	Input	Ignition switch ON	0 V	
138 (V)	Ground	Receiver and sensor power supply	Output	Ignition switch	OFF	0 V
				ACC or ON	5.0 V	

BCM (BODY CONTROL MODULE)

< ECU DIAGNOSIS INFORMATION >

Terminal No. (Wire color)		Description		Condition	Value (Approx.)
+	-	Signal name	Input/ Output		
139 (L)	Ground	Tire pressure receiver communication	Input/ Output	Ignition switch ON	 <p style="text-align: right;">OCC3881D</p>
				When receiving the signal from the transmitter	 <p style="text-align: right;">OCC3880D</p>
140 (B)	Ground	Selector lever P/N position	Input	Selector lever	P or N position: 12 V Except P and N positions: 0 V
				ON	0 V
141 (W)	Ground	Security indicator lamp	Output	Security indicator lamp	 <p style="text-align: right;">JPMA0014GB</p>
				OFF	12 V
142 (BR)	Ground	Combination switch OUTPUT 5	Output	Combination switch (Wiper volume dial 4)	 <p style="text-align: right;">JPMA0031GB</p>
				All switches OFF	0 V
				Lighting switch 1ST	
				Lighting switch HI	
Lighting switch 2ND	Turn signal switch RH				
143 (P)	Ground	Combination switch OUTPUT 1	Output	Combination switch	 <p style="text-align: right;">JPMA0032GB</p>
				All switches OFF (Wiper volume dial 4) Front wiper switch HI (Wiper volume dial 4) Any of the conditions below with all switches OFF <ul style="list-style-type: none"> • Wiper volume dial 1 • Wiper volume dial 2 • Wiper volume dial 3 • Wiper volume dial 6 • Wiper volume dial 7 	0 V

A
B
C
D
E
F
G
H
I
J
K
L
M
N
O
P

DLK

BCM (BODY CONTROL MODULE)

< ECU DIAGNOSIS INFORMATION >

Terminal No. (Wire color)		Description		Condition	Value (Approx.)	
+	-	Signal name	Input/ Output			
144 (G)	Ground	Combination switch OUTPUT 2	Output	Combination switch	All switches OFF (Wiper volume dial 4)	0 V
					Front washer switch ON (Wiper volume dial 4)	
					Any of the conditions below with all switches OFF <ul style="list-style-type: none"> • Wiper volume dial 1 • Wiper volume dial 5 • Wiper volume dial 6 	
145 (L)	Ground	Combination switch OUTPUT 3	Output	Combination switch (Wiper volume dial 4)	All switches OFF	0 V
					Front wiper switch INT/ AUTO	
					Lighting switch AUTO	
146 (SB)	Ground	Combination switch OUTPUT 4	Output	Combination switch (Wiper volume dial 4)	All switches OFF	0 V
					Front fog lamp switch ON	
					Lighting switch 2ND	
					Lighting switch PASS	
Turn signal switch LH						
150 (GR)	Ground	Driver door switch	Input	Driver door switch	OFF (Door close)	
					ON (Door open)	0 V
151 (G)	Ground	Rear window defog- ger relay control	Output	Rear window defogger	Active	0 V
				Not activated	Battery voltage	

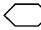
- *1: A/T models
- *2: M/T models

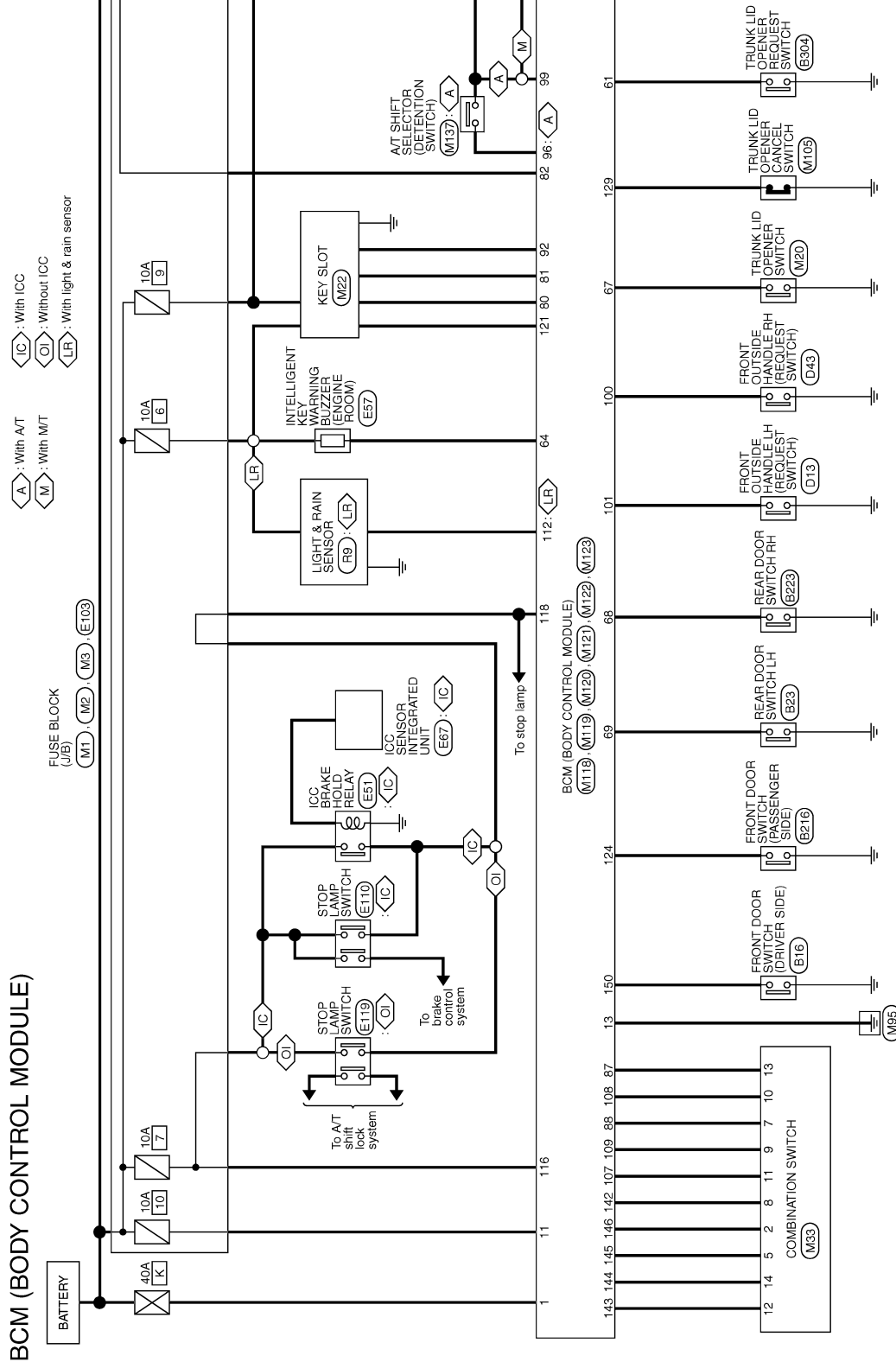
BCM (BODY CONTROL MODULE)

< ECU DIAGNOSIS INFORMATION >

Wiring Diagram - BCM -

INFOID:000000008772962

For connector terminal arrangements, harness layouts, and alphabets in a  (option abbreviation; if not described in wiring diagram), refer to [GI-12, "Connector Information"](#).



A
B
C
D
E
F
G
H
I
J
K
L
M
N
O
P

DLK

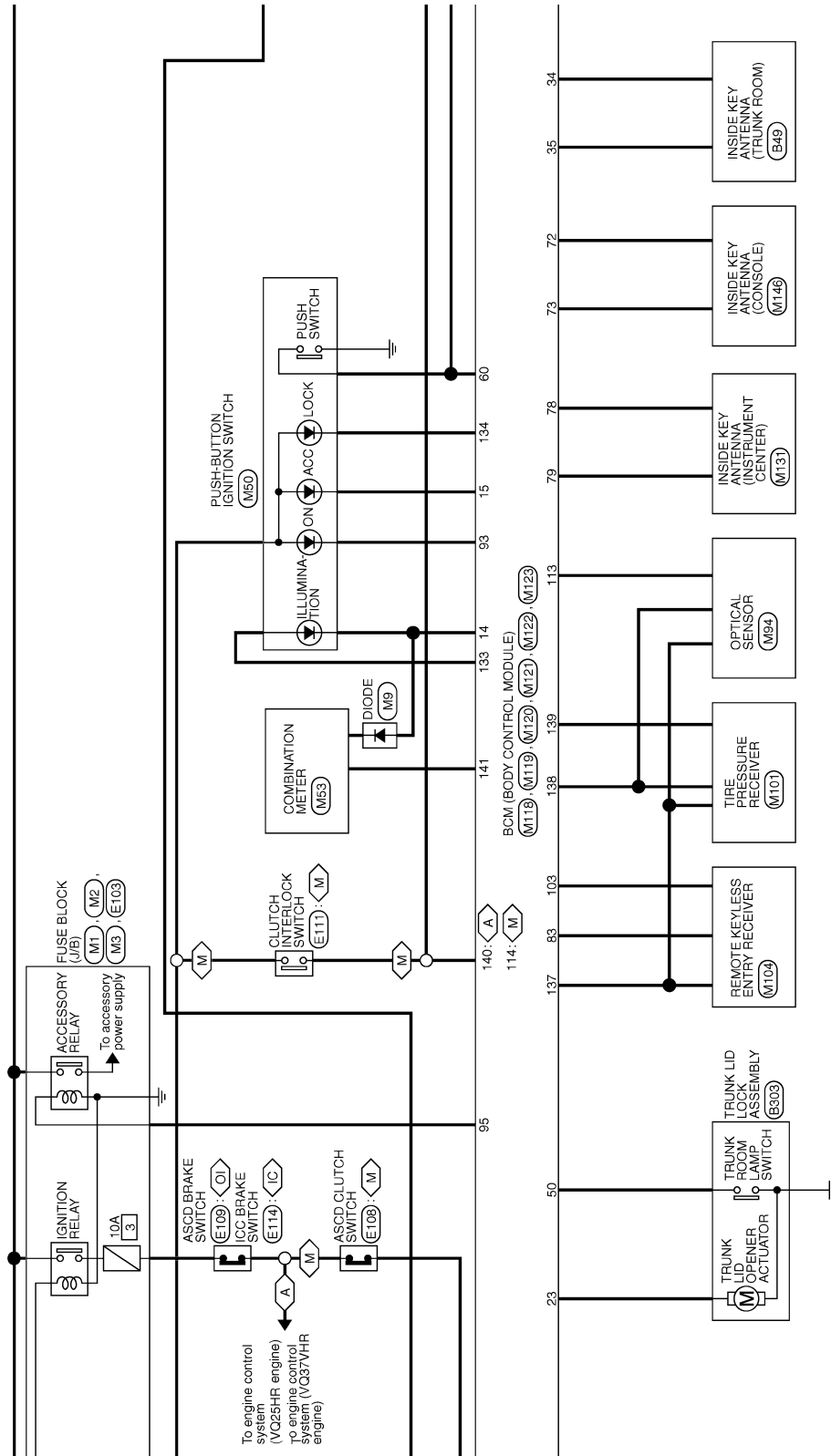
2012/07/10

JRMWD3146GB

BCM (BODY CONTROL MODULE)

< ECU DIAGNOSIS INFORMATION >

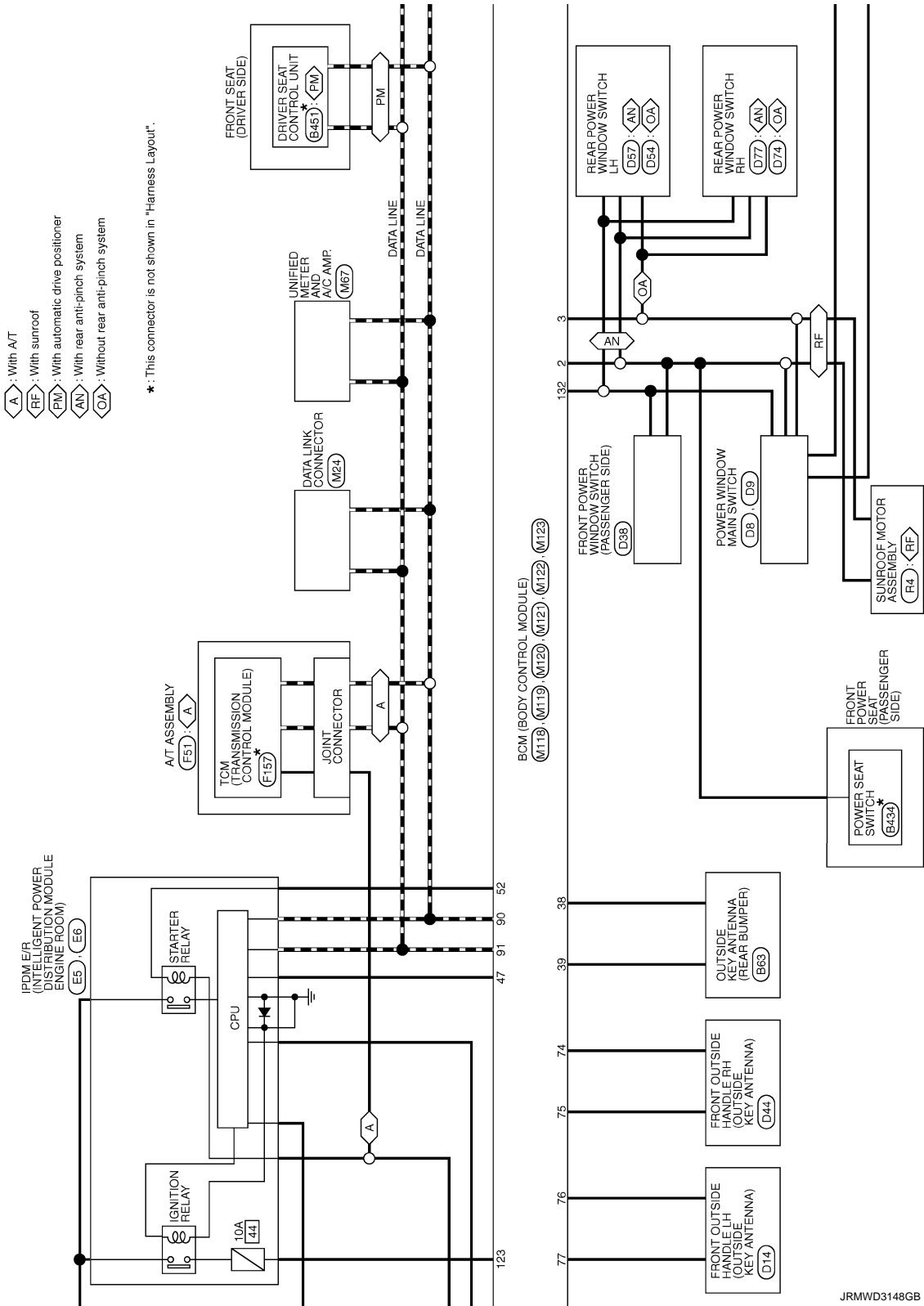
A : With A/T
W : With M/T
IC : With ICC
OI : Without ICC



JRMWD3147GB

BCM (BODY CONTROL MODULE)

< ECU DIAGNOSIS INFORMATION >



- ◊ A ◊ : With AT
- ◊ RE ◊ : With sunroof
- ◊ PM ◊ : With automatic drive positioner
- ◊ AN ◊ : With rear anti-pinch system
- ◊ OA ◊ : Without rear anti-pinch system

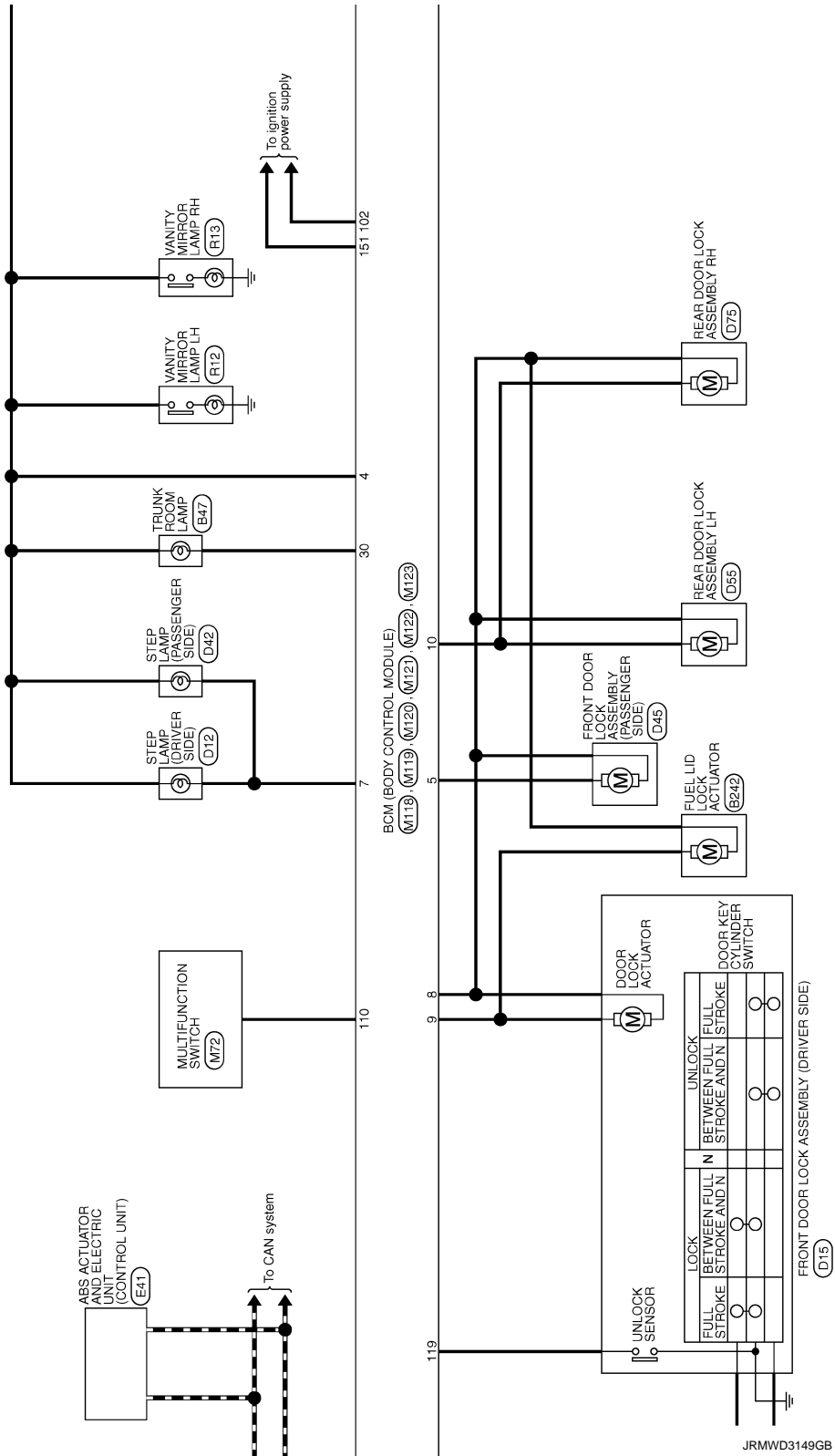
*: This connector is not shown in "Harness Layout".

A
B
C
D
E
F
G
H
I
J
DLK
L
M
N
O
P

JRMWD3148GB

BCM (BODY CONTROL MODULE)

< ECU DIAGNOSIS INFORMATION >

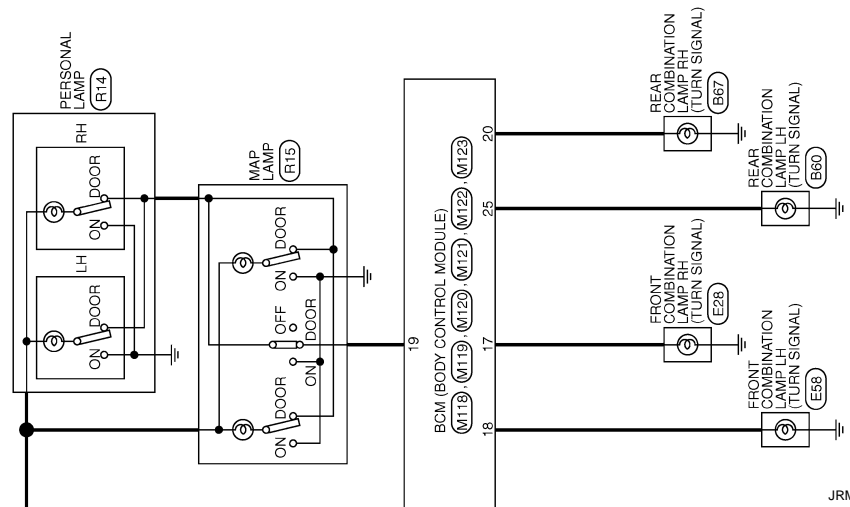


JRMWD3149GB

BCM (BODY CONTROL MODULE)

< ECU DIAGNOSIS INFORMATION >

A
B
C
D
E
F
G
H
I
J
L
M
N
O
P



JRMWD3150GB

Fail-safe

FAIL-SAFE CONTROL BY DTC

BCM performs fail-safe control when any DTC are detected.

INFOID:000000008772963

DLK

BCM (BODY CONTROL MODULE)

< ECU DIAGNOSIS INFORMATION >

Display contents of CONSULT	Fail-safe	Cancellation
B2190: NATS ANTENNA AMP	Inhibit engine cranking	Erase DTC
B2191: DIFFERENCE OF KEY	Inhibit engine cranking	Erase DTC
B2192: ID DISCORD BCM-ECM	Inhibit engine cranking	Erase DTC
B2193: CHAIN OF BCM-ECM	Inhibit engine cranking	Erase DTC
B2195: ANTI-SCANNING	Inhibit engine cranking	Ignition switch ON → OFF
B2560: STARTER CONT RELAY	Inhibit engine cranking	500 ms after the following CAN signal communication status becomes consistent <ul style="list-style-type: none"> • Starter control relay signal • Starter relay status signal
B2608: STARTER RELAY	Inhibit engine cranking	500 ms after the following signal communication status becomes consistent <ul style="list-style-type: none"> • Starter motor relay control signal • Starter relay status signal (CAN)
B260A: IGNITION RELAY	Inhibit engine cranking	500 ms after the following conditions are fulfilled <ul style="list-style-type: none"> • IGN relay (IPDM E/R) control signal: OFF (12 V) • Ignition ON signal (CAN to IPDM E/R): OFF (Request signal) • Ignition ON signal (CAN from IPDM E/R): OFF (Condition signal)
B260F: ENG STATE SIG LOST	Maintains the power supply position attained at the time of DTC detection	When any of the following conditions are fulfilled <ul style="list-style-type: none"> • Power position changes to ACC • Receives engine status signal (CAN)
B2617: BCM	Inhibit engine cranking	1 second after the starter motor relay control inside BCM becomes normal
B2618: BCM	Inhibit engine cranking	1 second after the ignition relay (IPDM E/R) control inside BCM becomes normal
B261E: VEHICLE TYPE	Inhibit engine cranking	BCM initialization
B26E8: CLUTCH SW	Inhibit engine cranking	When any of the following BCM recognition conditions are fulfilled <ul style="list-style-type: none"> • Status 1 <ul style="list-style-type: none"> - Clutch switch signal (CAN from ECM): ON - Clutch interlock switch signal: OFF (0 V) • Status 2 <ul style="list-style-type: none"> - Clutch switch signal (CAN from ECM): OFF - Clutch interlock switch signal: ON (Battery voltage)

DTC Inspection Priority Chart

INFOID:000000008772964

If some DTCs are displayed at the same time, perform inspections one by one based on the following priority chart.

Priority	DTC
1	B2562: LOW VOLTAGE
2	<ul style="list-style-type: none"> • U1000: CAN COMM • U1010: CONTROL UNIT(CAN)
3	<ul style="list-style-type: none"> • B2190: NATS ANTENNA AMP • B2191: DIFFERENCE OF KEY • B2192: ID DISCORD BCM-ECM • B2193: CHAIN OF BCM-ECM • B2195: ANTI-SCANNING

BCM (BODY CONTROL MODULE)

< ECU DIAGNOSIS INFORMATION >

Priority	DTC	
4	• B2553: IGNITION RELAY	A
	• B2555: STOP LAMP	
	• B2556: PUSH-BTN IGN SW	
	• B2557: VEHICLE SPEED	B
	• B2560: STARTER CONT RELAY	
	• B2601: SHIFT POSITION	
	• B2602: SHIFT POSITION	
	• B2603: SHIFT POSI STATUS	C
	• B2604: PNP/CLUTCH SW	
	• B2605: PNP/CLUTCH SW	
	• B2608: STARTER RELAY	
	• B260A: IGNITION RELAY	D
	• B260F: ENG STATE SIG LOST	
	• B2614: BCM	
	• B2615: BCM	
	• B2616: BCM	E
	• B2617: BCM	
	• B2618: BCM	
	• B261A: PUSH-BTN IGN SW	F
	• B261E: VEHICLE TYPE	
• B26E8: CLUTCH SW		
• B26EA: KEY REGISTRATION		
• C1729: VHCL SPEED SIG ERR	G	
• U0415: VEHICLE SPEED		
5	• C1704: LOW PRESSURE FL	
	• C1705: LOW PRESSURE FR	H
	• C1706: LOW PRESSURE RR	
	• C1707: LOW PRESSURE RL	
	• C1708: [NO DATA] FL	
	• C1709: [NO DATA] FR	I
	• C1710: [NO DATA] RR	
	• C1711: [NO DATA] RL	
	• C1716: [PRESSDATA ERR] FL	
	• C1717: [PRESSDATA ERR] FR	J
	• C1718: [PRESSDATA ERR] RR	
	• C1719: [PRESSDATA ERR] RL	
	• C1734: CONTROL UNIT	
6	• B2621: INSIDE ANTENNA	
	• B2622: INSIDE ANTENNA	
	• B2623: INSIDE ANTENNA	

DLK

DTC Index

INFOID:000000008772965

NOTE:

The details of time display are as follows.

- CRNT: A malfunction is detected now.
- PAST: A malfunction was detected in the past.

IGN counter is displayed on Freeze Frame Data. For details of Freeze Frame Data, refer to [DLK-50, "COMMON ITEM : CONSULT Function \(BCM - COMMON ITEM\)"](#).

CONSULT display	Fail-safe	Freeze Frame Data •Vehicle Speed •Odo/Trip Meter •Vehicle condition	Intelligent Key warning lamp ON	Tire pressure monitor warning lamp ON	Refer- ence page
No DTC is detected. further testing may be required.	—	—	—	—	—
U1000: CAN COMM	—	—	—	—	BCS-36
U1010: CONTROL UNIT(CAN)	—	—	—	—	BCS-37
U0415: VEHICLE SPEED	—	—	—	—	BCS-38
B2190: NATS ANTENNA AMP	×	—	—	—	SEC-44

BCM (BODY CONTROL MODULE)

< ECU DIAGNOSIS INFORMATION >

CONSULT display	Fail-safe	Freeze Frame Data •Vehicle Speed •Odo/Trip Meter •Vehicle condition	Intelligent Key warning lamp ON	Tire pressure monitor warning lamp ON	Refer- ence page
B2191: DIFFERENCE OF KEY	×	—	—	—	SEC-47
B2192: ID DISCORD BCM-ECM	×	—	—	—	SEC-48
B2193: CHAIN OF BCM-ECM	×	—	—	—	SEC-50
B2195: ANTI-SCANNING	×	—	—	—	SEC-51
B2553: IGNITION RELAY	—	×	—	—	PCS-46
B2555: STOP LAMP	—	×	—	—	SEC-52
B2556: PUSH-BTN IGN SW	—	×	×	—	SEC-54
B2557: VEHICLE SPEED	×	×	×	—	SEC-56
B2560: STARTER CONT RELAY	×	×	×	—	SEC-57
B2562: LOW VOLTAGE	—	×	—	—	BCS-39
B2601: SHIFT POSITION	×	×	×	—	SEC-58
B2602: SHIFT POSITION	×	×	×	—	SEC-61
B2603: SHIFT POSI STATUS	×	×	×	—	SEC-64
B2604: PNP/CLUTCH SW	×	×	×	—	SEC-67
B2605: PNP/CLUTCH SW	×	×	×	—	SEC-69
B2608: STARTER RELAY	×	×	×	—	SEC-71
B260A: IGNITION RELAY	×	×	×	—	PCS-48
B260F: ENG STATE SIG LOST	×	×	×	—	SEC-73
B2614: BCM	—	×	×	—	PCS-50
B2615: BCM	—	×	×	—	PCS-52
B2616: BCM	—	×	×	—	PCS-54
B2617: BCM	×	×	×	—	SEC-78
B2618: BCM	×	×	×	—	PCS-56
B261A: PUSH-BTN IGN SW	—	×	×	—	PCS-57
B261E: VEHICLE TYPE	×	×	× (Turn ON for 15 seconds)	—	SEC-80
B2621: INSIDE ANTENNA	—	×	—	—	DLK-59
B2622: INSIDE ANTENNA	—	×	—	—	DLK-61
B2623: INSIDE ANTENNA	—	×	—	—	DLK-63
B26E8: CLUTCH SW	×	×	×	—	SEC-75
B26EA: KEY REGISTRATION	—	×	× (Turn ON for 15 seconds)	—	SEC-77
C1704: LOW PRESSURE FL	—	—	—	×	WT-20
C1705: LOW PRESSURE FR	—	—	—	×	
C1706: LOW PRESSURE RR	—	—	—	×	
C1707: LOW PRESSURE RL	—	—	—	×	
C1708: [NO DATA] FL	—	—	—	×	WT-22
C1709: [NO DATA] FR	—	—	—	×	
C1710: [NO DATA] RR	—	—	—	×	
C1711: [NO DATA] RL	—	—	—	×	

BCM (BODY CONTROL MODULE)

< ECU DIAGNOSIS INFORMATION >

CONSULT display	Fail-safe	Freeze Frame Data •Vehicle Speed •Odo/Trip Meter •Vehicle condition	Intelligent Key warning lamp ON	Tire pressure monitor warning lamp ON	Refer- ence page
C1716: [PRESSDATA ERR] FL	—	—	—	×	WT-25
C1717: [PRESSDATA ERR] FR	—	—	—	×	
C1718: [PRESSDATA ERR] RR	—	—	—	×	
C1719: [PRESSDATA ERR] RL	—	—	—	×	WT-26
C1729: VHCL SPEED SIG ERR	—	—	—	×	WT-27
C1734: CONTROL UNIT	—	—	—	×	WT-27

A
B
C
D

E

F

G

H

I

J

DLK

L

M

N

O

P

DOOR DOES NOT LOCK/UNLOCK WITH DOOR LOCK AND UNLOCK SWITCH

< SYMPTOM DIAGNOSIS >

SYMPTOM DIAGNOSIS

DOOR DOES NOT LOCK/UNLOCK WITH DOOR LOCK AND UNLOCK SWITCH

ALL DOOR

ALL DOOR : Description

INFOID:000000008293922

All doors do not lock/unlock using door lock and unlock switch.

ALL DOOR : Diagnosis Procedure

INFOID:000000008293923

1. CHECK POWER SUPPLY AND GROUND CIRCUIT

Check power supply and ground circuit.

Refer to [DLK-65. "BCM \(BODY CONTROL MODULE\) : Diagnosis Procedure"](#).

Is the inspection result normal?

YES >> GO TO 2.

NO >> Repair or replace the malfunctioning parts.

2. CHECK DOOR LOCK AND UNLOCK SWITCH

Check door lock and unlock switch.

• Driver side: Refer to [DLK-69. "DRIVER SIDE : Component Function Check"](#).

• Passenger side: Refer to [DLK-69. "PASSENGER SIDE : Component Function Check"](#).

Is the inspection result normal?

YES >> GO TO 3.

NO >> Repair or replace the malfunctioning parts.

3. CHECK DOOR LOCK ACTUATOR

Check door lock actuator (driver side).

Refer to [DLK-71. "DRIVER SIDE : Component Function Check"](#).

Is the inspection result normal?

YES >> GO TO 4.

NO >> Repair or replace the malfunctioning parts.

4. CONFIRM THE OPERATION

Confirm the operation again.

Is the result normal?

YES >> Check intermittent incident. Refer to [GI-43. "Intermittent Incident"](#).

NO >> GO TO 1.

DRIVER SIDE

DRIVER SIDE : Description

INFOID:000000008293924

Driver side door does not lock/unlock using door lock and unlock switch.

DRIVER SIDE : Diagnosis Procedure

INFOID:000000008293925

1. CHECK DOOR LOCK ACTUATOR

Check door lock actuator (driver side).

Refer to [DLK-71. "DRIVER SIDE : Component Function Check"](#).

Is the inspection result normal?

YES >> GO TO 2.

NO >> Repair or replace the malfunctioning parts.

2. CONFIRM THE OPERATION

Confirm the operation again.

DOOR DOES NOT LOCK/UNLOCK WITH DOOR LOCK AND UNLOCK SWITCH

< SYMPTOM DIAGNOSIS >

Is the result normal?

YES >> Check intermittent incident. Refer to [GI-43, "Intermittent Incident"](#).
NO >> GO TO 1.

PASSENGER SIDE

PASSENGER SIDE : Description

INFOID:000000008293926

Passenger side door does not lock/unlock using door lock and unlock switch.

PASSENGER SIDE : Diagnosis Procedure

INFOID:000000008293927

1.CHECK DOOR LOCK ACTUATOR

Check door lock actuator (passenger side).
Refer to [DLK-72, "PASSENGER SIDE : Component Function Check"](#).

Is the inspection result normal?

YES >> GO TO 2.
NO >> Repair or replace the malfunctioning parts.

2.CONFIRM THE OPERATION

Confirm the operation again.

Is the result normal?

YES >> Check intermittent incident. Refer to [GI-43, "Intermittent Incident"](#).
NO >> GO TO 1.

REAR LH

REAR LH : Description

INFOID:000000008293928

Rear LH side door does not lock/unlock using door lock and unlock switch.

REAR LH : Diagnosis Procedure

INFOID:000000008293929

1.CHECK DOOR LOCK ACTUATOR

Check door lock actuator (rear LH).
Refer to [DLK-73, "REAR LH : Component Function Check"](#).

Is the inspection result normal?

YES >> GO TO 2.
NO >> Repair or replace the malfunctioning parts.

2.CONFIRM THE OPERATION

Confirm the operation again.

Is the result normal?

YES >> Check intermittent incident. Refer to [GI-43, "Intermittent Incident"](#).
NO >> GO TO 1.

REAR RH

REAR RH : Description

INFOID:000000008293930

Rear RH side door does not lock/unlock using door lock and unlock switch.

REAR RH : Diagnosis Procedure

INFOID:000000008293931

1.CHECK DOOR LOCK ACTUATOR

Check door lock actuator (rear RH).
Refer to [DLK-73, "REAR RH : Component Function Check"](#).

Is the inspection result normal?

YES >> GO TO 2.
NO >> Repair or replace the malfunctioning parts.

DOOR DOES NOT LOCK/UNLOCK WITH DOOR LOCK AND UNLOCK SWITCH

< SYMPTOM DIAGNOSIS >

2. CONFIRM THE OPERATION

Confirm the operation again.

Is the result normal?

- YES >> Check intermittent incident. Refer to [GI-43. "Intermittent Incident"](#).
- NO >> GO TO 1.

DOOR DOES NOT LOCK/UNLOCK WITH DOOR KEY CYLINDER OPERATION

< SYMPTOM DIAGNOSIS >

DOOR DOES NOT LOCK/UNLOCK WITH DOOR KEY CYLINDER OPERATION

Description

INFOID:000000008293932

All doors do not lock/unlock using driver side door key cylinder.

Diagnosis Procedure

INFOID:000000008293933

1.CHECK POWER DOOR LOCK OPERATION

Check power door lock operation.

Does door lock/unlock with door lock and unlock switch?

YES >> GO TO 2.

NO >> Refer to [DLK-154, "ALL DOOR : Diagnosis Procedure"](#).

2.CHECK DOOR KEY CYLINDER SWITCH

Check door key cylinder switch.

Refer to [DLK-80, "Component Function Check"](#).

Is the inspection result normal?

YES >> GO TO 3.

NO >> Repair or replace the malfunctioning parts.

3.CONFIRM THE OPERATION

Confirm the operation again.

Is the result normal?

YES >> Check intermittent incident. Refer to [GI-43, "Intermittent Incident"](#).

NO >> GO TO 1.

A
B
C
D
E
F
G
H
I
J
L
M
N
O
P

DLK

DOOR DOES NOT LOCK/UNLOCK WITH DOOR REQUEST SWITCH

< SYMPTOM DIAGNOSIS >

DOOR DOES NOT LOCK/UNLOCK WITH DOOR REQUEST SWITCH ALL DOOR

ALL DOOR : Description

INFOID:000000008293934

All doors do not lock/unlock using all door request switches.

NOTE:

Check door request switch operation in the door lock condition. Refer to [DLK-21, "DOOR LOCK FUNCTION : System Description"](#).

ALL DOOR : Diagnosis Procedure

INFOID:000000008293935

1.CHECK REMOTE KEYLESS ENTRY FUNCTION

Check remote keyless entry function.

Does door lock/unlock with Intelligent Key button?

YES >> GO TO 2.

NO >> Refer to [DLK-30, "REMOTE KEYLESS ENTRY FUNCTION : System Description"](#).

2.CHECK "LOCK/UNLOCK BY I-KEY" SETTING IN "WORK SUPPORT"

Check "LOCK/UNLOCK BY I-KEY" in "WORK SUPPORT".

Refer to [DLK-53, "INTELLIGENT KEY : CONSULT Function \(BCM - INTELLIGENT KEY\)"](#).

Is the inspection result normal?

YES >> GO TO 3.

NO >> Set "LOCK/UNLOCK BY I-KEY" in "WORK SUPPORT".

3.CONFIRM THE OPERATION

Confirm the operation again.

Is the result normal?

YES >> Check intermittent incident. Refer to [GI-43, "Intermittent Incident"](#).

NO >> GO TO 1.

DRIVER SIDE

DRIVER SIDE : Description

INFOID:000000008293936

All doors do not lock/unlock using driver side door request switch.

NOTE:

Check door request switch operation in the door lock condition. Refer to [DLK-21, "DOOR LOCK FUNCTION : System Description"](#).

DRIVER SIDE : Diagnosis Procedure

INFOID:000000008293937

1.CHECK DRIVER SIDE DOOR REQUEST SWITCH

Check driver side door request switch.

Refer to [DLK-91, "Component Function Check"](#).

Is the inspection result normal?

YES >> GO TO 2.

NO >> Repair or replace the malfunctioning parts.

2.CHECK OUTSIDE KEY ANTENNA LH

Check outside key antenna LH.

Refer to [DLK-95, "Component Function Check"](#).

Is the inspection result normal?

YES >> GO TO 3.

NO >> Repair or replace the malfunctioning parts.

3.CONFIRM THE OPERATION

Confirm the operation again.

DOOR DOES NOT LOCK/UNLOCK WITH DOOR REQUEST SWITCH

< SYMPTOM DIAGNOSIS >

Is the result normal?

YES >> Check Intermittent Incident. Refer to [GI-43, "Intermittent Incident"](#).

NO >> GO TO 1.

PASSENGER SIDE

PASSENGER SIDE : Description

INFOID:000000008293938

All doors do not lock/unlock using passenger side door request switch.

NOTE:

Check door request switch operation in the door lock condition. Refer to [DLK-21, "DOOR LOCK FUNCTION : System Description"](#).

PASSENGER SIDE : Diagnosis Procedure

INFOID:000000008293939

1.CHECK PASSENGER SIDE DOOR REQUEST SWITCH

Check passenger side door request switch.

Refer to [DLK-91, "Component Function Check"](#).

Is the inspection result normal?

YES >> GO TO 2.

NO >> Repair or replace the malfunctioning parts.

2.CHECK OUTSIDE KEY ANTENNA RH

Check outside key antenna RH.

Refer to [DLK-95, "Component Function Check"](#).

Is the inspection result normal?

YES >> GO TO 3.

NO >> Repair or replace the malfunctioning parts.

3.CONFIRM THE OPERATION

Confirm the operation again.

Is the result normal?

YES >> Check Intermittent Incident. Refer to [GI-43, "Intermittent Incident"](#).

NO >> GO TO 1.

A
B
C
D
E
F
G
H
I
J
L
M
N
O
P

DLK

DOOR DOES NOT LOCK/UNLOCK WITH INTELLIGENT KEY

< SYMPTOM DIAGNOSIS >

DOOR DOES NOT LOCK/UNLOCK WITH INTELLIGENT KEY

Description

INFOID:000000008293940

All doors do not lock/unlock using Intelligent Key.

NOTE:

Check Intelligent Key remote operation in the door lock condition. Refer to [DLK-30, "REMOTE KEYLESS ENTRY FUNCTION : System Description"](#).

Diagnosis Procedure

INFOID:000000008293941

1.CHECK POWER DOOR LOCK OPERATION

Check power door lock operation.

Does door lock/unlock with door lock and unlock switch?

YES >> GO TO 2.

NO >> Refer to [DLK-154, "ALL DOOR : Diagnosis Procedure"](#).

2.CHECK REMOTE KEYLESS ENTRY RECEIVER

Check remote keyless entry receiver.

Refer to [DLK-82, "Component Function Check"](#).

Is the inspection result normal?

YES >> GO TO 3.

NO >> Repair or replace the malfunctioning parts.

3.CHECK INTELLIGENT KEY

Check Intelligent Key.

Refer to [DLK-100, "Component Function Check"](#).

Is the inspection result normal?

YES >> GO TO 4.

NO >> Repair or replace the malfunctioning parts.

4.CHECK KEY SLOT

Check key slot.

Refer to [DLK-102, "Component Function Check"](#).

Is the inspection result normal?

YES >> GO TO 5.

NO >> Repair or replace the malfunctioning parts.

5.CHECK DOOR SWITCH

Check door switch.

Refer to [DLK-66, "Component Function Check"](#).

Is the inspection result normal?

YES >> GO TO 6.

NO >> Repair or replace the malfunctioning parts.

6.CONFIRM THE OPERATION

Confirm the operation again.

Is the result normal?

YES >> Check intermittent incident. Refer to [GI-43, "Intermittent Incident"](#).

NO >> GO TO 1.

TRUNK LID DOES NOT OPEN WITH TRUNK LID OPENER SWITCH

< SYMPTOM DIAGNOSIS >

TRUNK LID DOES NOT OPEN WITH TRUNK LID OPENER SWITCH

Description

INFOID:000000008293942

NOTE:

Check trunk lid opener switch operation in the trunk lid open condition. Refer to [DLK-47, "System Description"](#).

Diagnosis Procedure

INFOID:000000008293943

1.CHECK TRUNK LID OPENER SWITCH

Check trunk lid opener switch.

Refer to [DLK-85, "Component Function Check"](#).

Is the inspection result normal?

YES >> GO TO 2.

NO >> Repair or replace the malfunctioning parts.

2.CHECK TRUNK LID OPENER ACTUATOR

Check trunk lid opener actuator.

Refer to [DLK-76, "Component Function Check"](#).

Is the inspection result normal?

YES >> GO TO 3.

NO >> Repair or replace the malfunctioning parts.

3.CHECK TRUNK LID OPENER CANCEL SWITCH

Check trunk lid opener cancel switch.

Refer to [DLK-89, "Component Function Check"](#).

Is the inspection result normal?

YES >> GO TO 4.

NO >> Repair or replace the malfunctioning parts.

4.CHECK VEHICLE SPEED SIGNAL

Check unified meter A/C amp.

Refer to [MWI-85, "DTC Index"](#).

Is the inspection result normal?

YES >> GO TO 5.

NO >> Repair or replace the malfunctioning parts.

5.CONFIRM THE OPERATION

Confirm the operation again.

Is the result normal?

YES >> Check intermittent incident. Refer to [GI-43, "Intermittent Incident"](#).

NO >> GO TO 1.

A
B
C
D
E
F
G
H
I
J
K
L
M
N
O
P

DLK

TRUNK LID DOES NOT OPEN WITH INTELLIGENT KEY

< SYMPTOM DIAGNOSIS >

TRUNK LID DOES NOT OPEN WITH INTELLIGENT KEY

Description

INFOID:000000008293944

NOTE:

Check Intelligent Key remote operation with trunk lid open condition. Refer to [DLK-30, "REMOTE KEYLESS ENTRY FUNCTION : System Description"](#).

Diagnosis Procedure

INFOID:000000008293945

1.CHECK TRUNK LID OPEN FUNCTION

Check trunk lid open function with trunk lid opener switch.

Does trunk lid open with trunk lid opener switch?

YES >> GO TO 2.

NO >> Refer to [DLK-161, "Diagnosis Procedure"](#).

2.CHECK "TRUNK OPEN DELAY" SETTING IN "WORK SUPPORT"

Check "TRUNK OPEN DELAY" setting in "WORK SUPPORT".

Refer to [DLK-53, "INTELLIGENT KEY : CONSULT Function \(BCM - INTELLIGENT KEY\)"](#).

Is the inspection result normal?

YES >> GO TO 3.

NO >> Set "TRUNK OPEN DELAY" setting in "WORK SUPPORT".

3.CHECK POWER POSITION

Check if ignition switch position is changing or not.

Does ignition switch position change?

YES >> GO TO 4.

NO >> Check DTC for BCM. Refer to [MWI-85, "DTC Index"](#).

4.CHECK INTELLIGENT KEY

Check Intelligent Key.

Refer to [DLK-100, "Component Function Check"](#).

Is the inspection result normal?

YES >> GO TO 5.

NO >> Repair or replace the malfunctioning parts.

5.CONFIRM THE OPERATION

Confirm the operation again.

Is the result normal?

YES >> Check intermittent incident. Refer to [GI-43, "Intermittent Incident"](#).

NO >> GO TO 1.

TRUNK LID DOES NOT OPEN WITH TRUNK LID OPENER REQUEST SWITCH

< SYMPTOM DIAGNOSIS >

TRUNK LID DOES NOT OPEN WITH TRUNK LID OPENER REQUEST SWITCH

Description

INFOID:000000008293946

NOTE:

Check trunk lid opener request switch operation in the trunk lid open condition. Refer to [DLK-26, "TRUNK OPEN FUNCTION : System Description"](#).

Diagnosis Procedure

INFOID:000000008293947

1. CHECK TRUNK LID OPEN FUNCTION

Check trunk lid open function with Intelligent Key.

Does trunk lid open with Intelligent Key?

YES >> GO TO 2.

NO >> Refer to [DLK-162, "Diagnosis Procedure"](#).

2. CHECK TRUNK LID OPENER REQUEST SWITCH

Check trunk lid opener request switch.

Refer to [DLK-87, "Component Function Check"](#).

Is the inspection result normal?

YES >> GO TO 3.

NO >> Repair or replace the malfunctioning parts.

3. CHECK OUTSIDE KEY ANTENNA (REAR BUMPER)

Check outside key antenna (rear bumper).

Refer to [DLK-95, "Component Function Check"](#).

Is the inspection result normal?

YES >> GO TO 4.

NO >> Repair or replace the malfunctioning parts.

4. CONFIRM THE OPERATION

Confirm the operation again.

Is the result normal?

YES >> Check intermittent incident. Refer to [GI-43, "Intermittent Incident"](#).

NO >> GO TO 1.

A
B
C
D
E
F
G
H
I
J
L
M
N
O
P

DLK

SELECTIVE UNLOCK FUNCTION DOES NOT OPERATE

< SYMPTOM DIAGNOSIS >

SELECTIVE UNLOCK FUNCTION DOES NOT OPERATE

DOOR REQUEST SWITCH

DOOR REQUEST SWITCH : Description

INFOID:000000008293948

NOTE:

Before performing the diagnosis in the following procedure, check the operation condition. Refer to [DLK-21, "DOOR LOCK FUNCTION : System Description"](#).

DOOR REQUEST SWITCH : Diagnosis Procedure

INFOID:000000008293949

1.CHECK DOOR LOCK FUNCTION

Check door lock function by door request switch.

Does door lock/unlock with door request switch?

YES >> GO TO 2.

NO-1 >> Driver side: Refer to [DLK-158, "DRIVER SIDE : Diagnosis Procedure"](#).

NO-2 >> Passenger side: Refer to [DLK-159, "PASSENGER SIDE : Diagnosis Procedure"](#).

2.CHECK "DOOR LOCK-UNLOCK SET" SETTING IN "WORK SUPPORT"

Check "DOOR LOCK-UNLOCK SET" setting in "WORK SUPPORT".

Refer to [DLK-51, "DOOR LOCK : CONSULT Function \(BCM - DOOR LOCK\)"](#).

Is the inspection result normal?

YES >> GO TO 3.

NO >> Set "DOOR LOCK-UNLOCK SET" in "WORK SUPPORT".

3.CONFIRM THE OPERATION

Confirm the operation again.

Is the result normal?

YES >> Check intermittent incident. Refer to [GI-43, "Intermittent Incident"](#).

NO >> GO TO 1.

INTELLIGENT KEY

INTELLIGENT KEY : Description

INFOID:000000008293950

NOTE:

Before performing the diagnosis in the following procedure, check the operation condition. Refer to [DLK-30, "REMOTE KEYLESS ENTRY FUNCTION : System Description"](#).

INTELLIGENT KEY : Diagnosis Procedure

INFOID:000000008293951

1.CHECK DOOR LOCK FUNCTION

Check door lock function by intelligent key.

Does door lock/unlock with Intelligent Key button?

YES >> GO TO 2.

NO >> Refer to [DLK-30, "REMOTE KEYLESS ENTRY FUNCTION : System Description"](#).

2.CHECK "DOOR LOCK-UNLOCK SET" SETTING IN "WORK SUPPORT"

Check "DOOR LOCK-UNLOCK SET" setting in "WORK SUPPORT".

Refer to [DLK-51, "DOOR LOCK : CONSULT Function \(BCM - DOOR LOCK\)"](#).

Is the inspection result normal?

YES >> GO TO 3.

NO >> Set "DOOR LOCK-UNLOCK SET" of "WORK SUPPORT".

3.CONFIRM THE OPERATION

Confirm the operation again.

Is the result normal?

YES >> Check intermittent incident. Refer to [GI-43, "Intermittent Incident"](#).

SELECTIVE UNLOCK FUNCTION DOES NOT OPERATE

< SYMPTOM DIAGNOSIS >

NO >> GO TO 1.

DOOR KEY CYLINDER

DOOR KEY CYLINDER : Description

INFOID:000000008293952

NOTE:

Before performing the diagnosis in the following procedure, check the operation condition. Refer to [DLK-11, "System Description"](#).

DOOR KEY CYLINDER : Diagnosis Procedure

INFOID:000000008293953

1. CHECK DOOR LOCK FUNCTION

Check door lock function by door key cylinder.

Does door lock/unlock with door key cylinder?

YES >> GO TO 2.

NO >> Refer to [DLK-157, "Diagnosis Procedure"](#).

2. CHECK "DOOR LOCK-UNLOCK SET" SETTING IN "WORK SUPPORT"

Check "DOOR LOCK-UNLOCK SET" setting in "WORK SUPPORT".

Refer to [DLK-51, "DOOR LOCK : CONSULT Function \(BCM - DOOR LOCK\)"](#).

Is the inspection result normal?

YES >> GO TO 3.

NO >> Set "DOOR LOCK-UNLOCK SET" of "WORK SUPPORT".

3. CONFIRM THE OPERATION

Confirm the operation again.

Is the result normal?

YES >> Check intermittent incident. Refer to [GI-43, "Intermittent Incident"](#).

NO >> GO TO 1.

A
B
C
D
E
F
G
H
I
J
L
M
N
O
P

DLK

VEHICLE SPEED SENSING AUTO LOCK OPERATION DOES NOT OPERATE

< SYMPTOM DIAGNOSIS >

VEHICLE SPEED SENSING AUTO LOCK OPERATION DOES NOT OPERATE

Description

INFOID:000000008293954

NOTE:

Before performing the diagnosis in the following procedure, check the operation condition. Refer to [DLK-11, "System Description"](#).

Diagnosis Procedure

INFOID:000000008293955

1. CHECK POWER DOOR LOCK OPERATION

Check power door lock operation.

Does door lock/unlock with door lock and unlock switch?

YES >> GO TO 2.

NO >> Refer to [DLK-154, "ALL DOOR : Diagnosis Procedure"](#).

2. CHECK "AUTOMATIC LOCK/UNLOCK SELECT" SETTING IN "WORK SUPPORT"

Check "AUTOMATIC LOCK/UNLOCK SELECT" in "WORK SUPPORT".

Refer to [DLK-51, "DOOR LOCK : CONSULT Function \(BCM - DOOR LOCK\)"](#).

Is the inspection result normal?

YES >> GO TO 3.

NO >> Set "AUTOMATIC LOCK/UNLOCK SELECT" in "WORK SUPPORT".

3. CHECK "AUTOMATIC DOOR LOCK SELECT" SETTING IN "WORK SUPPORT"

Check "AUTOMATIC DOOR LOCK SELECT" in "WORK SUPPORT".

Refer to [DLK-51, "DOOR LOCK : CONSULT Function \(BCM - DOOR LOCK\)"](#).

Is the inspection result normal?

YES >> GO TO 4.

NO >> Set "AUTOMATIC DOOR LOCK SELECT" in "WORK SUPPORT".

4. CHECK VEHICLE SPEED SIGNAL

Check unified meter A/C amp.

Refer to [MWI-85, "DTC Index"](#).

Is the inspection result normal?

YES >> GO TO 5.

NO >> Repair or replace the malfunctioning parts.

5. CONFIRM THE OPERATION

Confirm the operation again.

Is the result normal?

YES >> Check intermittent incident. Refer to [GI-43, "Intermittent Incident"](#).

NO >> GO TO 1.

IGN OFF INTERLOCK DOOR UNLOCK FUNCTION DOES NOT OPERATE

< SYMPTOM DIAGNOSIS >

IGN OFF INTERLOCK DOOR UNLOCK FUNCTION DOES NOT OPERATE

Description

INFOID:000000008293956

NOTE:

Before performing the diagnosis in the following procedure, check the operation condition. Refer to [DLK-11, "System Description"](#).

Diagnosis Procedure

INFOID:000000008293957

1. CHECK POWER DOOR LOCK OPERATION

Check power door lock operation.

Does door lock/unlock with door lock and unlock switch?

YES >> GO TO 2.

NO >> Refer to [DLK-154, "ALL DOOR : Diagnosis Procedure"](#).

2. CHECK "AUTOMATIC LOCK/UNLOCK SELECT" SETTING IN "WORK SUPPORT"

Check "AUTOMATIC LOCK/UNLOCK SELECT" in "WORK SUPPORT".

Refer to [DLK-51, "DOOR LOCK : CONSULT Function \(BCM - DOOR LOCK\)"](#).

Is the inspection result normal?

YES >> GO TO 3.

NO >> Set "AUTOMATIC LOCK/UNLOCK SELECT" in "WORK SUPPORT".

3. CHECK "AUTOMATIC DOOR UNLOCK SELECT" SETTING IN "WORK SUPPORT"

Check "AUTOMATIC DOOR UNLOCK SELECT" in "WORK SUPPORT".

Refer to [DLK-51, "DOOR LOCK : CONSULT Function \(BCM - DOOR LOCK\)"](#).

Is the inspection result normal?

YES >> GO TO 4.

NO >> Set "AUTOMATIC DOOR UNLOCK SELECT" in "WORK SUPPORT".

4. CHECK BCM

Check BCM for DTC.

Refer to [BCS-75, "DTC Index"](#).

Is the inspection result normal?

YES >> GO TO 5.

NO >> Repair or replace the malfunctioning parts.

5. CONFIRM THE OPERATION

Confirm the operation again.

Is the result normal?

YES >> Check intermittent incident. Refer to [GI-43, "Intermittent Incident"](#).

NO >> GO TO 1.

A
B
C
D
E
F
G
H
I
J
L
M
N
O
P

DLK

P RANGE INTERLOCK DOOR LOCK/UNLOCK FUNCTION DOES NOT OPERATE

< SYMPTOM DIAGNOSIS >

P RANGE INTERLOCK DOOR LOCK/UNLOCK FUNCTION DOES NOT OPERATE

Description

INFOID:000000008293958

NOTE:

Before performing the diagnosis in the following procedure, check the operation condition. Refer to [DLK-11, "System Description"](#).

Diagnosis Procedure

INFOID:000000008293959

1. CHECK POWER DOOR LOCK OPERATION

Check power door lock operation.

Does door lock/unlock with door lock and unlock switch?

YES >> GO TO 2.

NO >> Refer to [DLK-154, "ALL DOOR : Diagnosis Procedure"](#).

2. CHECK "AUTOMATIC LOCK/UNLOCK SELECT" SETTING IN "WORK SUPPORT"

Check "AUTOMATIC LOCK/UNLOCK SELECT" in "WORK SUPPORT".

Refer to [DLK-51, "DOOR LOCK : CONSULT Function \(BCM - DOOR LOCK\)"](#).

Is the inspection result normal?

YES >> GO TO 3.

NO >> Set "AUTOMATIC LOCK/UNLOCK SELECT" in "WORK SUPPORT".

3. CHECK "AUTOMATIC DOOR LOCK SELECT" SETTING IN "WORK SUPPORT"

Check "AUTOMATIC DOOR LOCK SELECT" in "WORK SUPPORT".

Refer to [DLK-51, "DOOR LOCK : CONSULT Function \(BCM - DOOR LOCK\)"](#).

Is the inspection result normal?

YES >> GO TO 4.

NO >> Set "AUTOMATIC DOOR LOCK SELECT" in "WORK SUPPORT".

4. CHECK "AUTOMATIC DOOR UNLOCK SELECT" SETTING IN "WORK SUPPORT"

Check "AUTOMATIC DOOR UNLOCK SELECT" in "WORK SUPPORT".

Refer to [DLK-51, "DOOR LOCK : CONSULT Function \(BCM - DOOR LOCK\)"](#).

Is the inspection result normal?

YES >> GO TO 5.

NO >> Set "AUTOMATIC DOOR UNLOCK SELECT" in "WORK SUPPORT".

5. CHECK TCM

Check TCM for DTC.

Refer to [TM-245, "DTC Index"](#).

Is the inspection result normal?

YES >> GO TO 6.

NO >> Repair or replace the malfunctioning parts.

6. CONFIRM THE OPERATION

Confirm the operation again.

Is the result normal?

YES >> Check intermittent incident. Refer to [GI-43, "Intermittent Incident"](#).

NO >> GO TO 1.

AUTO DOOR LOCK OPERATION DOES NOT OPERATE

< SYMPTOM DIAGNOSIS >

AUTO DOOR LOCK OPERATION DOES NOT OPERATE

Description

INFOID:000000008293960

NOTE:

Before performing the diagnosis in the following procedure, check the operation condition. Refer to [DLK-11, "System Description"](#).

Diagnosis Procedure

INFOID:000000008293961

1. CHECK "AUTO LOCK SET" SETTING IN "WORK SUPPORT"

Check "AUTO LOCK SET" setting in "WORK SUPPORT".

Refer to [DLK-53, "INTELLIGENT KEY : CONSULT Function \(BCM - INTELLIGENT KEY\)"](#).

Is the inspection result normal?

YES >> GO TO 2.

NO >> Set "AUTO LOCK SET" setting in "WORK SUPPORT".

2. CONFIRM THE OPERATION

Confirm the operation again.

Is the result normal?

YES >> Check intermittent incident. Refer to [GI-43, "Intermittent Incident"](#).

NO >> GO TO 1.

A
B
C
D
E
F
G
H
I
J
L
M
N
O
P

DLK

FUEL LID LOCK ACTUATOR DOES NOT OPERATE

< SYMPTOM DIAGNOSIS >

FUEL LID LOCK ACTUATOR DOES NOT OPERATE

Description

INFOID:000000008293962

NOTE:

Before performing the diagnosis in the following procedure, check the operation condition. Refer to [DLK-11, "System Description"](#).

Diagnosis Procedure

INFOID:000000008293963

1. CHECK FUEL LID OPENER ACTUATOR

Check fuel lid opener actuator.

Refer to [DLK-75, "Component Function Check"](#).

Is the inspection result normal?

YES >> GO TO 2.

NO >> Repair or replace the malfunctioning parts.

2. CONFIRM THE OPERATION

Confirm the operation again.

Is the result normal?

YES >> Check intermittent incident. Refer to [GI-43, "Intermittent Incident"](#).

NO >> GO TO 1.

PANIC ALARM FUNCTION DOES NOT OPERATE

< SYMPTOM DIAGNOSIS >

PANIC ALARM FUNCTION DOES NOT OPERATE

Description

INFOID:000000008293964

NOTE:

Before performing the diagnosis in the following procedure, check the operation condition. Refer to [DLK-30, "REMOTE KEYLESS ENTRY FUNCTION : System Description"](#).

Diagnosis Procedure

INFOID:000000008293965

1.CHECK REMOTE KEYLESS ENTRY FUNCTION

Check remote keyless entry function.

Does door lock/unlock with Intelligent Key button?

YES >> GO TO 2.

NO >> Refer to [DLK-160, "Diagnosis Procedure"](#).

2.CHECK VEHICLE SECURITY ALARM OPERATION

Check vehicle security alarm operation.

Does alarm (headlamp and horn) active?

YES >> GO TO 3.

NO >> Refer to [SEC-158, "Diagnosis Procedure"](#).

3.CHECK "PANIC ALARM SET" SETTING IN "WORK SUPPORT"

Check "PANIC ALARM SET" setting in "WORK SUPPORT".

Refer to [DLK-53, "INTELLIGENT KEY : CONSULT Function \(BCM - INTELLIGENT KEY\)"](#).

Is the inspection result normal?

YES >> GO TO 4.

NO >> Set "PANIC ALARM SET" setting in "WORK SUPPORT".

4.CONFIRM THE OPERATION

Confirm the operation again.

Is the result normal?

YES >> Check intermittent incident. Refer to [GI-43, "Intermittent Incident"](#).

NO >> GO TO 1.

A
B
C
D
E
F
G
H
I
J
L
M
N
O
P

DLK

HAZARD AND HORN REMINDER DOES NOT OPERATE

< SYMPTOM DIAGNOSIS >

HAZARD AND HORN REMINDER DOES NOT OPERATE

Description

INFOID:000000008293966

NOTE:

Before performing the diagnosis, check the operation condition. Refer to [DLK-30, "REMOTE KEYLESS ENTRY FUNCTION : System Description"](#).

Diagnosis Procedure

INFOID:000000008293967

1. CHECK "HAZARD ANSWER BACK" SETTING IN "WORK SUPPORT"

Check "HAZARD ANSWER BACK" setting in "WORK SUPPORT".

Refer to [DLK-53, "INTELLIGENT KEY : CONSULT Function \(BCM - INTELLIGENT KEY\)"](#).

Is the inspection result normal?

YES >> GO TO 2.

NO >> Set "HAZARD ANSWER BACK" setting in "WORK SUPPORT".

2. CHECK "HORN WITH KEYLESS LOCK" SETTING IN "WORK SUPPORT".

Check "HORN WITH KEYLESS LOCK" setting in "WORK SUPPORT".

Refer to [DLK-53, "INTELLIGENT KEY : CONSULT Function \(BCM - INTELLIGENT KEY\)"](#).

Is the inspection result normal?

YES >> GO TO 3.

NO >> Set "HORN WITH KEYLESS LOCK" setting in "WORK SUPPORT".

3. CHECK POWER POSITION

Check if ignition switch position is changing or not.

Does ignition switch position change?

YES >> GO TO 4.

NO >> Check BCM for DTC. Refer to [BCS-75, "DTC Index"](#).

4. CHECK HAZARD FUNCTION

Check hazard function.

Refer to [DLK-111, "Component Function Check"](#).

Is the inspection result normal?

YES >> GO TO 5.

NO >> Repair or replace the malfunctioning parts.

5. CHECK HORN FUNCTION

Check horn function.

Refer to [DLK-106, "Component Function Check"](#).

Is the inspection result normal?

YES >> GO TO 6.

NO >> Repair or replace the malfunctioning parts.

6. CONFIRM THE OPERATION

Confirm the operation again.

Is the result normal?

YES >> Check intermittent incident. Refer to [GI-43, "Intermittent Incident"](#).

NO >> GO TO 1.

HAZARD AND BUZZER REMINDER DOES NOT OPERATE

< SYMPTOM DIAGNOSIS >

HAZARD AND BUZZER REMINDER DOES NOT OPERATE

Description

INFOID:000000008293968

NOTE:

Before performing the diagnosis, check the operation condition. Refer to [DLK-30. "REMOTE KEYLESS ENTRY FUNCTION : System Description"](#).

Diagnosis Procedure

INFOID:000000008293969

1. CHECK "HAZARD ANSWER BACK" SETTING IN "WORK SUPPORT"

Check "HAZARD ANSWER BACK" setting in "WORK SUPPORT".

Refer to [DLK-53. "INTELLIGENT KEY : CONSULT Function \(BCM - INTELLIGENT KEY\)"](#).

Is the inspection result normal?

YES >> GO TO 2.

NO >> Set "HAZARD ANSWER BACK" in "WORK SUPPORT".

2. CHECK "ANS BACK I-KEY LOCK" SETTING IN "WORK SUPPORT"

Check "ANS BACK I-KEY LOCK" setting in "WORK SUPPORT".

Refer to [DLK-53. "INTELLIGENT KEY : CONSULT Function \(BCM - INTELLIGENT KEY\)"](#).

Is the inspection result normal?

YES >> GO TO 3.

NO >> Set "ANS BACK I-KEY LOCK" in "WORK SUPPORT".

3. CHECK "ANS BACK I-KEY UNLOCK" SETTING IN "WORK SUPPORT"

Check "ANS BACK I-KEY UNLOCK" setting in "WORK SUPPORT".

Refer to [DLK-53. "INTELLIGENT KEY : CONSULT Function \(BCM - INTELLIGENT KEY\)"](#).

Is the inspection result normal?

YES >> GO TO 4.

NO >> Set "ANS BACK I-KEY UNLOCK" in "WORK SUPPORT".

4. CHECK POWER POSITION

Check if ignition switch position is changing or not.

Does ignition switch position change?

YES >> GO TO 5.

NO >> Check BCM for DTC. Refer to [BCS-75. "DTC Index"](#).

5. CHECK HAZARD FUNCTION

Check hazard function.

Refer to [DLK-111. "Component Function Check"](#).

Is the inspection result normal?

YES >> GO TO 6.

NO >> Repair or replace the malfunctioning parts.

6. CHECK INTELLIGENT KEY WARNING BUZZER

Check Intelligent Key warning buzzer.

Refer to [DLK-98. "Component Function Check"](#).

Is the inspection result normal?

YES >> GO TO 7.

NO >> Repair or replace the malfunctioning parts.

7. CONFIRM THE OPERATION

Confirm the operation again.

Is the result normal?

YES >> Check intermittent incident. Refer to [GI-43. "Intermittent Incident"](#).

NO >> GO TO 1.

A

B

C

D

E

F

G

H

I

J

DLK

L

M

N

O

P

KEY REMINDER FUNCTION DOES NOT OPERATE

< SYMPTOM DIAGNOSIS >

KEY REMINDER FUNCTION DOES NOT OPERATE INTELLIGENT KEY SYSTEM

INTELLIGENT KEY SYSTEM : Description

INFOID:000000008293970

NOTE:

Before performing the diagnosis, check operation condition. Refer to [DLK-36, "KEY REMINDER FUNCTION : System Description"](#).

INTELLIGENT KEY SYSTEM : Diagnosis Procedure

INFOID:000000008293971

1. CHECK "ANTI KEY LOCK IN FUNCTI" SETTING IN "WORK SUPPORT"

Check "ANTI KEY LOCK IN FUNCTI" setting in "WORK SUPPORT".

Refer to [DLK-53, "INTELLIGENT KEY : CONSULT Function \(BCM - INTELLIGENT KEY\)"](#).

Is the inspection result normal?

YES >> GO TO 2.

NO >> Set "ANTI KEY LOCK IN FUNCTI" setting in "WORK SUPPORT".

2. CHECK DOOR SWITCH

Check door switch.

Refer to [DLK-66, "Component Function Check"](#).

Is the inspection result normal?

YES >> GO TO 3.

NO >> Repair or replace the malfunctioning parts.

3. CHECK TRUNK ROOM LAMP SWITCH

Check trunk room lamp switch.

Refer to [DLK-78, "Component Function Check"](#).

Is the inspection result normal?

YES >> GO TO 4.

NO >> Repair or replace the malfunctioning parts.

4. CHECK INSIDE KEY ANTENNA

Check inside key antenna.

- Instrument center: Refer to [DLK-59, "DTC Logic"](#).

- Console: Refer to [DLK-61, "DTC Logic"](#).

- Trunk room: Refer to [DLK-63, "DTC Logic"](#).

Is the inspection result normal?

YES >> GO TO 5.

NO >> Repair or replace the malfunctioning parts.

5. CHECK UNLOCK SENSOR

Check unlock sensor.

Refer to [DLK-93, "Component Function Check"](#).

Is the inspection result normal?

YES >> GO TO 6.

NO >> Repair or replace the malfunctioning parts.

6. CONFIRM THE OPERATION

Confirm the operation again.

Is the result normal?

YES >> Check intermittent incident. Refer to [GI-43, "Intermittent Incident"](#).

NO >> GO TO 1.

POWER DOOR LOCK SYSTEM

KEY REMINDER FUNCTION DOES NOT OPERATE

< SYMPTOM DIAGNOSIS >

POWER DOOR LOCK SYSTEM : Description

INFOID:000000008293972

A

NOTE:

Before performing the diagnosis, check operation condition. Refer to [DLK-11. "System Description"](#).

POWER DOOR LOCK SYSTEM : Diagnosis Procedure

INFOID:000000008293973

B

1.CHECK KEY SLOT

Check key slot.

Refer to [DLK-102. "Component Function Check"](#).

Is the inspection result normal?

YES >> GO TO 2.

NO >> Repair or replace the malfunctioning parts.

C

2.CHECK DOOR SWITCH

Check door switch.

Refer to [DLK-66. "Component Function Check"](#).

Is the inspection result normal?

YES >> GO TO 3.

NO >> Repair or replace the malfunctioning parts.

D

E

3.CONFIRM THE OPERATION

Confirm the operation again.

Is the result normal?

YES >> Check intermittent incident. Refer to [GI-43. "Intermittent Incident"](#).

NO >> GO TO 1.

F

G

H

I

J

DLK

L

M

N

O

P

KEY WARNING DOES NOT OPERATE

< SYMPTOM DIAGNOSIS >

KEY WARNING DOES NOT OPERATE

Description

INFOID:000000008293974

NOTE:

- Warning functions operating condition is extremely complicated. During operation confirmation reconfirm the list above twice in order to check for normal operation. Refer to [DLK-40, "WARNING FUNCTION : System Description"](#).
- Door lock function is normal.

Diagnosis Procedure

INFOID:000000008293975

1.CHECK BUZZER (COMBINATION METER)

Check buzzer (combination meter).

Refer to [DLK-109, "Component Function Check"](#).

Is the inspection result normal?

YES >> GO TO 2.

NO >> Repair or replace the malfunctioning parts.

2.CHECK DOOR SWITCH

Check door switch (driver side).

Refer to [DLK-66, "Component Function Check"](#).

Is the inspection result normal?

YES >> GO TO 3.

NO >> Repair or replace the malfunctioning parts.

3.CHECK KEY SLOT

Check key slot.

Refer to [DLK-102, "Component Function Check"](#).

Is the inspection result normal?

YES >> GO TO 4.

NO >> Repair or replace the malfunctioning parts.

4.CHECK COMBINATION METER DISPLAY FUNCTION

Check combination meter display function.

Refer to [DLK-108, "Component Function Check"](#).

Is the inspection result normal?

YES >> GO TO 5.

NO >> Repair or replace the malfunctioning parts.

5.CHECK KEY SLOT INDICATOR

Check key slot indicator.

Refer to [DLK-104, "Component Function Check"](#).

Is the inspection result normal?

YES >> GO TO 6.

NO >> Repair or replace the malfunctioning parts.

6.CONFIRM THE OPERATION

Confirm the operation again.

Is the result normal?

YES >> Check intermittent incident. Refer to [GI-43, "Intermittent Incident"](#).

NO >> GO TO 1.

OFF POSITION WARNING DOES NOT OPERATE

< SYMPTOM DIAGNOSIS >

OFF POSITION WARNING DOES NOT OPERATE

Description

INFOID:000000008293976

NOTE:

- Warning functions operating condition is extremely complicated. During operation confirmation reconfirm the list above twice in order to check for normal operation. Refer to [DLK-40, "WARNING FUNCTION : System Description"](#).
- Door lock function is normal.

Diagnosis Procedure

INFOID:000000008293977

1.CHECK POWER POSITION

Check if ignition switch position is changing or not.

Does ignition switch position change?

YES >> GO TO 2.

NO >> Check BCM for DTC. Refer to [BCS-75, "DTC Index"](#).

2.CHECK BUZZER (COMBINATION METER)

Check buzzer (combination meter).

Refer to [DLK-109, "Component Function Check"](#).

Is the inspection result normal?

YES >> GO TO 3.

NO >> Repair or replace the malfunctioning parts.

3.CHECK INTELLIGENT KEY WARNING BUZZER

Check Intelligent Key warning buzzer.

Refer to [DLK-98, "Component Function Check"](#).

Is the inspection result normal?

YES >> GO TO 4.

NO >> Repair or replace the malfunctioning parts.

4.CHECK DOOR SWITCH

Check door switch (driver side).

Refer to [DLK-66, "Component Function Check"](#).

Is the inspection result normal?

YES >> GO TO 5.

NO >> Repair or replace the malfunctioning parts.

5.CONFIRM THE OPERATION

Confirm the operation again.

Is the result normal?

YES >> Check intermittent incident. Refer to [GI-43, "Intermittent Incident"](#).

NO >> GO TO 1.

A
B
C
D
E
F
G
H
I
J
DLK
L
M
N
O
P

P POSITION WARNING DOES NOT OPERATE

< SYMPTOM DIAGNOSIS >

P POSITION WARNING DOES NOT OPERATE

Description

INFOID:000000008293978

NOTE:

- Warning functions operating condition is extremely complicated. During operation confirmation reconfirm the list above twice in order to check for normal operation. Refer to [DLK-40, "WARNING FUNCTION : System Description"](#).
- Door lock function is normal.

Diagnosis Procedure

INFOID:000000008293979

1.CHECK POWER POSITION

Check if ignition switch position is changing or not.

Does ignition switch position change?

YES >> GO TO 2.

NO >> Check BCM for DTC. Refer to [BCS-75, "DTC Index"](#).

2.CHECK DETENTION SWITCH

Check BCM for DTC.

Refer to [BCS-75, "DTC Index"](#).

Is the inspection result normal?

YES >> GO TO 3.

NO >> Repair or replace the malfunctioning parts.

3.CHECK INTELLIGENT KEY WARNING BUZZER

Check Intelligent Key warning buzzer.

Refer to [DLK-98, "Component Function Check"](#).

Is the inspection result normal?

YES >> GO TO 4.

NO >> Repair or replace the malfunctioning parts.

4.CHECK BUZZER (COMBINATION METER)

Check buzzer (combination meter).

Refer to [DLK-109, "Component Function Check"](#).

Is the inspection result normal?

YES >> GO TO 5.

NO >> Repair or replace the malfunctioning parts.

5.CHECK DOOR SWITCH

Check door switch (driver side).

Refer to [DLK-66, "Component Function Check"](#).

Is the inspection result normal?

YES >> GO TO 6.

NO >> Repair or replace the malfunctioning parts.

6.CHECK INSIDE KEY ANTENNA

Check inside key antenna.

• Instrument center: Refer to [DLK-59, "DTC Logic"](#).

• Console: Refer to [DLK-61, "DTC Logic"](#).

• Trunk room: Refer to [DLK-63, "DTC Logic"](#).

Is the inspection result normal?

YES >> GO TO 7.

NO >> Repair or replace the malfunctioning parts.

7.CHECK COMBINATION METER DISPLAY FUNCTION

Check combination meter display function.

Refer to [DLK-108, "Component Function Check"](#).

P POSITION WARNING DOES NOT OPERATE

< SYMPTOM DIAGNOSIS >

Is the inspection result normal?

YES >> GO TO 8.

NO >> Repair or replace the malfunctioning parts.

8.CONFIRM THE OPERATION

Confirm the operation again.

Is the result normal?

YES >> Check intermittent incident. Refer to [GI-43. "Intermittent Incident"](#).

NO >> GO TO 1.

A

B

C

D

E

F

G

H

I

J

DLK

L

M

N

O

P

ACC WARNING DOES NOT OPERATE

< SYMPTOM DIAGNOSIS >

ACC WARNING DOES NOT OPERATE

Description

INFOID:000000008293980

NOTE:

- Warning functions operating condition is extremely complicated. During operation confirmation reconfirm the list above twice in order to check for normal operation. Refer to [DLK-40, "WARNING FUNCTION : System Description"](#).
- Door lock function is normal.

Diagnosis Procedure

INFOID:000000008293981

1.CHECK POWER POSITION

Check if ignition switch position is changing or not.

Does ignition switch position change?

YES >> GO TO 2.

NO >> Check BCM for DTC. Refer to [BCS-75, "DTC Index"](#).

2.CHECK BUZZER (COMBINATION METER)

Check buzzer (combination meter).

Refer to [DLK-109, "Component Function Check"](#).

Is the inspection result normal?

YES >> GO TO 3.

NO >> Repair or replace the malfunctioning parts.

3.CHECK COMBINATION METER DISPLAY FUNCTION

Check combination meter display function.

Refer to [DLK-108, "Component Function Check"](#).

Is the inspection result normal?

YES >> GO TO 4.

NO >> Repair or replace the malfunctioning parts.

4.CONFIRM THE OPERATION

Confirm the operation again.

Is the result normal?

YES >> Check intermittent incident. Refer to [GI-43, "Intermittent Incident"](#).

NO >> GO TO 1.

TAKE AWAY WARNING DOES NOT OPERATE

< SYMPTOM DIAGNOSIS >

TAKE AWAY WARNING DOES NOT OPERATE

Description

INFOID:000000008293982

When door opens, take away warning does not operate.

NOTE:

- Warning functions operating condition is extremely complicated. During operation confirmation reconfirm the list above twice in order to check for normal operation. Refer to [DLK-40, "WARNING FUNCTION : System Description"](#).
- Door lock function is normal.

Diagnosis Procedure

INFOID:000000008293983

1.CHECK POWER POSITION

Check if ignition switch position is changing or not.

Does ignition switch position change?

YES >> GO TO 2.

NO >> Check BCM for DTC. Refer to [BCS-75, "DTC Index"](#).

2.CHECK DOOR SWITCH

Check door switch.

Refer to [DLK-66, "Component Function Check"](#).

Is the inspection result normal?

YES >> GO TO 3.

NO >> Repair or replace the malfunctioning parts.

3.CHECK KEY SLOT

Check key slot.

Refer to [DLK-102, "Component Function Check"](#).

Is the inspection result normal?

YES >> GO TO 4.

NO >> Repair or replace the malfunctioning parts.

4.CHECK INSIDE KEY ANTENNA

Check inside key antenna.

- Instrument center: Refer to [DLK-59, "DTC Logic"](#).
- Console: Refer to [DLK-61, "DTC Logic"](#).
- Trunk room: Refer to [DLK-63, "DTC Logic"](#).

Is the inspection result normal?

YES >> GO TO 5.

NO >> Repair or replace the malfunctioning parts.

5.CHECK BUZZER (COMBINATION METER)

Check buzzer (combination meter).

Refer to [DLK-109, "Component Function Check"](#).

Is the inspection result normal?

YES >> GO TO 6.

NO >> Repair or replace the malfunctioning parts.

6.CHECK COMBINATION METER DISPLAY FUNCTION

Check combination meter display function.

Refer to [DLK-108, "Component Function Check"](#).

Is the inspection result normal?

YES >> GO TO 7.

NO >> Repair or replace the malfunctioning parts.

7.CHECK INTELLIGENT KEY WARNING BUZZER

Check Intelligent Key warning buzzer.

A

B

C

D

E

F

G

H

I

J

DLK

L

M

N

O

P

TAKE AWAY WARNING DOES NOT OPERATE

< SYMPTOM DIAGNOSIS >

Refer to [DLK-98, "Component Function Check"](#).

Is the inspection result normal?

YES >> GO TO 8.

NO >> Repair or replace the malfunctioning parts.

8.CHECK KEY SLOT INDICATOR

Check key slot indicator.

Refer to [DLK-104, "Component Function Check"](#).

Is the inspection result normal?

YES >> GO TO 9.

NO >> Repair or replace the malfunctioning parts.

9.CONFIRM THE OPERATION

Confirm the operation again.

Is the result normal?

YES >> Check intermittent incident. Refer to [GI-43, "Intermittent Incident"](#).

NO >> GO TO 1.

INTELLIGENT KEY LOW BATTERY WARNING DOES NOT OPERATE

< SYMPTOM DIAGNOSIS >

INTELLIGENT KEY LOW BATTERY WARNING DOES NOT OPERATE

Description

INFOID:000000008293984

NOTE:

Warning functions operating condition is extremely complicated. During operation confirmation reconfirm the list above twice in order to check for normal operation. Refer to [DLK-40, "WARNING FUNCTION : System Description"](#).

Diagnosis Procedure

INFOID:000000008293985

1.CHECK "LO- BATT OF KEY FOB WARN" SETTING IN "WORK SUPPORT"

Check "LO- BATT OF KEY FOB WARN" setting in "WORK SUPPORT".

Refer to [DLK-53, "INTELLIGENT KEY : CONSULT Function \(BCM - INTELLIGENT KEY\)"](#).

Is the inspection result normal?

YES >> GO TO 2.

NO >> Set "LO- BATT OF KEY FOB WARN" setting in "WORK SUPPORT".

2.CHECK INTELLIGENT KEY

Check Intelligent key.

Refer to [DLK-100, "Component Function Check"](#).

Is the inspection result normal?

YES >> GO TO 3.

NO >> Repair or replace the malfunctioning parts.

3.CHECK COMBINATION METER DISPLAY FUNCTION

Check combination meter display function.

Refer to [DLK-108, "Component Function Check"](#).

Is the inspection result normal?

YES >> GO TO 4.

NO >> Repair or replace the malfunctioning parts.

4.CHECK INSIDE KEY ANTENNA

Check inside key antenna.

- Instrument center: Refer to [DLK-59, "DTC Logic"](#).
- Console: Refer to [DLK-61, "DTC Logic"](#).
- Trunk room: Refer to [DLK-63, "DTC Logic"](#).

Is the inspection result normal?

YES >> GO TO 5.

NO >> Repair or replace the malfunctioning parts.

5.CONFIRM THE OPERATION

Confirm the operation again.

Is the result normal?

YES >> Check intermittent incident. Refer to [GI-43, "Intermittent Incident"](#).

NO >> GO TO 1.

A
B
C
D
E
F
G
H
I
J
L
M
N
O
P

DLK

DOOR LOCK OPERATION WARNING DOES NOT OPERATE

< SYMPTOM DIAGNOSIS >

DOOR LOCK OPERATION WARNING DOES NOT OPERATE

Description

INFOID:000000008293986

Door lock operation warning does not activate using door request switch.

NOTE:

Warning functions operating condition is extremely complicated. During operation confirmation reconfirm the list above twice in order to check for normal operation. Refer to [DLK-40, "WARNING FUNCTION : System Description"](#).

Diagnosis Procedure

INFOID:000000008293987

1. CHECK DOOR LOCK FUNCTION

Check door lock function.

Does door lock/unlock using door request switch?

YES >> GO TO 2.

NO-1 >> Driver side: Refer to [DLK-158, "DRIVER SIDE : Diagnosis Procedure"](#).

NO-2 >> Passenger side: Refer to [DLK-159, "PASSENGER SIDE : Diagnosis Procedure"](#).

2. CHECK INTELLIGENT KEY WARNING BUZZER

Check Intelligent Key warning buzzer.

Refer to [DLK-98, "Component Function Check"](#).

Is the inspection result normal?

YES >> GO TO 3.

NO >> Repair or replace the malfunctioning parts.

3. CONFIRM THE OPERATION

Confirm the operation again.

Is the result normal?

YES >> Check intermittent incident. Refer to [GI-43, "Intermittent Incident"](#).

NO >> GO TO 1.

KEY ID WARNING DOES NOT OPERATE

< SYMPTOM DIAGNOSIS >

KEY ID WARNING DOES NOT OPERATE

Description

INFOID:000000008293988

NOTE:

Warning functions operating condition is extremely complicated. During operation confirmation reconfirm the list above twice in order to check for normal operation. Refer to [DLK-40, "WARNING FUNCTION : System Description"](#).

Diagnosis Procedure

INFOID:000000008293989

1.CHECK INTELLIGENT KEY

Check Intelligent Key.

Refer to [DLK-100, "Component Function Check"](#).

Is the inspection result normal?

YES >> GO TO 2.

NO >> Repair or replace the malfunctioning parts.

2.CHECK COMBINATION METER DISPLAY FUNCTION

Check combination meter display function.

Refer to [DLK-108, "Component Function Check"](#).

Is the inspection result normal?

YES >> GO TO 3.

NO >> Repair or replace the malfunctioning parts.

3.CONFIRM THE OPERATION

Confirm the operation again.

Is the result normal?

YES >> Check intermittent incident. Refer to [GI-43, "Intermittent Incident"](#).

NO >> GO TO 1.

A
B
C
D
E
F
G
H
I
J
L
M
N
O
P

DLK

KEY WARNING LAMP DOES NOT ILLUMINATE

< SYMPTOM DIAGNOSIS >

KEY WARNING LAMP DOES NOT ILLUMINATE

Description

INFOID:000000008293990

NOTE:

Warning functions operating condition is extremely complicated. During operation confirmation reconfirm the list above twice in order to check for normal operation. Refer to [DLK-40. "WARNING FUNCTION : System Description"](#).

Diagnosis Procedure

INFOID:000000008293991

1.CHECK KEY WARNING LAMP

Check key warning lamp.

Refer to [DLK-110. "Component Function Check"](#).

Is the inspection result normal?

YES >> GO TO 2.

NO >> Repair or replace the malfunctioning parts.

2.CONFIRM THE OPERATION

Confirm the operation again.

Is the result normal?

YES >> Check intermittent incident. Refer to [GI-43. "Intermittent Incident"](#).

NO >> GO TO 1.

INTEGRATED HOMELINK TRANSMITTER DOES NOT OPERATE

< SYMPTOM DIAGNOSIS >

INTEGRATED HOMELINK TRANSMITTER DOES NOT OPERATE

Diagnosis Procedure

INFOID:000000008293992

1. CHECK INTEGRATED HOMELINK TRANSMITTER

Check integrated homelink transmitter.

Refer to [DLK-112, "Component Function Check"](#).

Is the inspection result normal?

YES >> GO TO 2.

NO >> Repair or replace the malfunctioning parts.

2. CONFIRM THE OPERATION

Confirm the operation again.

Is the result normal?

YES >> Check intermittent incident. Refer to [GI-43, "Intermittent Incident"](#).

NO >> GO TO 1.

A
B
C
D
E
F
G
H
I
J
L
M
N
O
P

DLK

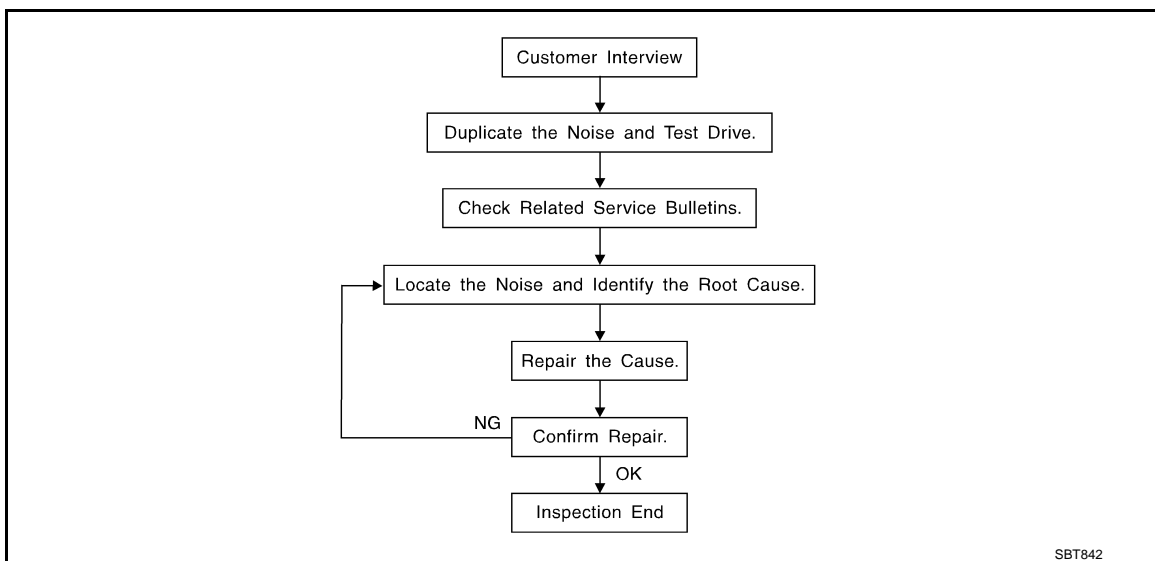
SQUEAK AND RATTLE TROUBLE DIAGNOSES

< SYMPTOM DIAGNOSIS >

SQUEAK AND RATTLE TROUBLE DIAGNOSES

Work Flow

INFOID:000000008293993



CUSTOMER INTERVIEW

Interview the customer if possible, to determine the conditions that exist when the noise occurs. Use the Diagnostic Worksheet during the interview to document the facts and conditions when the noise occurs and any of customer's comments; refer to [DLK-192, "Diagnostic Worksheet"](#). This information is necessary to duplicate the conditions that exist when the noise occurs.

- The customer may not be able to provide a detailed description or the location of the noise. Attempt to obtain all the facts and conditions that exist when the noise occurs (or does not occur).
- If there is more than one noise in the vehicle, perform a diagnosis and repair the noise that the customer is concerned about. This can be accomplished by performing a cruise test on the vehicle with the customer.
- After identifying the type of noise, isolate the noise in terms of its characteristics. The noise characteristics are provided so the customer, service adviser and technician are all speaking the same language when defining the noise.
- Squeak – (Like tennis shoes on a clean floor)
Squeak characteristics include the light contact/fast movement/brought on by road conditions/hard surfaces = higher pitch noise/softer surfaces = lower pitch noises/edge to surface = chirping
- Creak – (Like walking on an old wooden floor)
Creak characteristics include firm contact/slow movement/twisting with a rotational movement/pitch dependent on materials/often brought on by activity.
- Rattle – (Like shaking a baby rattle)
Rattle characteristics include the fast repeated contact/vibration or similar movement/loose parts/missing clip or fastener/incorrect clearance.
- Knock – (Like a knock on a door)
Knock characteristics include hollow sounding/sometimes repeating/often brought on by driver action.
- Tick – (Like a clock second hand)
Tick characteristics include gentle contacting of light materials/loose components/can be caused by driver action or road conditions.
- Thump – (Heavy, muffled knock noise)
Thump characteristics include softer knock/dead sound often brought on by activity.
- Buzz – (Like a bumblebee)
Buzz characteristics include high frequency rattle/firm contact.
- Often the degree of acceptable noise level will vary depending up on the person. A noise that a technician may judge as acceptable may be very irritating to the customer.
- Weather conditions, especially humidity and temperature, may have a great effect on noise level.

DUPLICATE THE NOISE AND TEST DRIVE

If possible, drive the vehicle with the customer until the noise is duplicated. Note any additional information on the Diagnostic Worksheet regarding the conditions or location of the noise. This information can be used to duplicate the same conditions when the repair is reconfirmed.

SQUEAK AND RATTLE TROUBLE DIAGNOSES

< SYMPTOM DIAGNOSIS >

If the noise can be duplicated easily during the test drive, to help identify the source of the noise, try to duplicate the noise with the vehicle stopped by doing one or all of the following:

- 1) Close a door.
 - 2) Tap or push/pull around the area where the noise appears to be coming from.
 - 3) Rev the engine.
 - 4) Use a floor jack to recreate vehicle "twist".
 - 5) At idle, apply engine load (electrical load, half-clutch on M/T models, drive position on A/T models).
 - 6) Raise the vehicle on a hoist and hit a tire with a rubber hammer.
- Drive the vehicle and attempt to duplicate the conditions the customer states exist when the noise occurs.
 - If it is difficult to duplicate the noise, drive the vehicle slowly on an undulating or rough road to stress the vehicle body.

CHECK RELATED SERVICE BULLETINS

After verifying the customer concern or symptom, check ASIST for Technical Service Bulletins (TSBs) related to that concern or symptom.

If a TSB relates to the symptom, follow the procedure to repair the noise.

LOCATE THE NOISE AND IDENTIFY THE ROOT CAUSE

1. Narrow down the noise to a general area. To help pinpoint the source of the noise, use a listening tool (Chassis ear: J-39570, Engine ear and mechanics stethoscope).
2. Narrow down the noise to a more specific area and identify the cause of the noise by:
 - Removing the components in the area that is are suspected to be the cause of the noise.
Do not use too much force when removing clips and fasteners, otherwise clips and fastener can be broken or lost during the repair, resulting in the creation of new noise.
 - Tapping or pushing/pulling the component that is are suspected to be the cause of the noise.
Do not tap or push/pull the component with excessive force, otherwise the noise will be eliminated only temporarily.
 - Feeling for a vibration by hand by touching the component(s) that is are suspected to be the cause of the noise.
 - Placing a piece of paper between components that are suspected to be the cause of the noise.
 - Looking for loose components and contact marks.
Refer to [DLK-190. "Inspection Procedure"](#).

REPAIR THE CAUSE

- If the cause is a loose component, tighten the component securely.
- If the cause is insufficient clearance between components:
 - Separate components by repositioning or loosening and retightening the component, if possible.
 - Insulate components with a suitable insulator such as urethane pads, foam blocks, felt cloth tape or urethane tape. A Nissan Squeak and Rattle Kit (J-43980) is available through the authorized Nissan Parts Department.

CAUTION:

Never use excessive force as many components are constructed of plastic and may be damaged.

NOTE:

Always check with the Parts Department for the latest parts information.

The following materials are contained in the Nissan Squeak and Rattle Kit (J-43980). Each item can be ordered separately as needed.

URETHANE PADS [1.5 mm (0.059 in) thick]

Insulates connectors, harness, etc.

76268-9E005: 100 × 135 mm (3.94 × 5.31 in)/76884-71L01: 60 × 85 mm (2.36 × 3.35 in)/76884-71L02: 15 × 25 mm (0.59 × 0.98 in)

INSULATOR (Foam blocks)

Insulates components from contact. Can be used to fill space behind a panel.

73982-9E000: 45 mm (1.77 in) thick, 50 × 50 mm (1.97 × 1.97 in)/73982-

50Y00: 10 mm (0.39 in) thick, 50 × 50 mm (1.97 × 1.97 in)

INSULATOR (Light foam block)

80845-71L00: 30 mm (1.18 in) thick, 30 × 50 mm (1.18 × 1.97in)

FELT CLOTHTAPE

Used to insulate where movement does not occur. Ideal for instrument panel applications.

68370-4B000: 15 × 25 mm (0.59 × 0.98 in) pad/68239-13E00: 5 mm (0.20 in) wide tape roll

The following materials, not found in the kit, can also be used to repair squeaks and rattles.

UHMW (TEFLON) TAPE

SQUEAK AND RATTLE TROUBLE DIAGNOSES

< SYMPTOM DIAGNOSIS >

Insulates where slight movement is present. Ideal for instrument panel applications.

SILICONE GREASE

Used in place of UHMW tape that is be visible or does not fit. Will only last a few months.

SILICONE SPRAY

Used when grease cannot be applied.

DUCT TAPE

Used to eliminate movement.

CONFIRM THE REPAIR

Confirm that the cause of a noise is repaired by test driving the vehicle. Operate the vehicle under the same conditions as when the noise originally occurred. Refer to the notes on the Diagnostic Worksheet.

Inspection Procedure

INFOID:000000008293994

Refer to Table of Contents for specific component removal and installation information.

INSTRUMENT PANEL

Most incidents are caused by contact and movement between:

1. The cluster lid A and instrument panel
2. Acrylic lens and combination meter housing
3. Instrument panel to front pillar garnish
4. Instrument panel to windshield
5. Instrument panel mounting pins
6. Wiring harnesses behind the combination meter
7. A/C defroster duct and duct joint

These incidents can usually be located by tapping or moving the components to duplicate the noise or by pressing on the components while driving to stop the noise. Most of these incidents can be repaired by applying felt cloth tape or silicon spray (in hard to reach areas). Urethane pads can be used to insulate wiring harness.

CAUTION:

Never use silicone spray to isolate a squeak or rattle. If the area is saturated with silicone, the recheck of repair becomes impossible.

CENTER CONSOLE

Components to pay attention to include:

1. Shifter assembly cover to finisher
2. A/C control unit and cluster lid C
3. Wiring harnesses behind audio and A/C control unit

The instrument panel repair and isolation procedures also apply to the center console.

DOORS

Pay attention to the following:

1. Finisher and inner panel making a slapping noise
2. Inside handle escutcheon to door finisher
3. Wiring harnesses tapping
4. Door striker out of alignment causing a popping noise on starts and stops

Tapping or moving the components or pressing on them while driving to duplicate the conditions can isolate many of these incidents. The areas can usually be insulated with felt cloth tape or insulator foam blocks from the Nissan Squeak and Rattle Kit (J-43980) to repair the noise.

TRUNK

Trunk noises are often caused by a loose jack or loose items put into the trunk by the customer.

In addition look for the following:

1. Trunk lid dumpers out of adjustment
2. Trunk lid striker out of adjustment
3. The trunk lid torsion bars knocking together
4. A loose license plate or bracket

SQUEAK AND RATTLE TROUBLE DIAGNOSES

< SYMPTOM DIAGNOSIS >

Most of these incidents can be repaired by adjusting, securing or insulating the item(s) or component(s) causing the noise.

SUNROOF/HEADLINING

Noises in the sunroof/headlining area can often be traced to one of the following:

1. Sunroof lid, rail, linkage or seals making a rattle or light knocking noise
2. Sunvisor shaft shaking in the holder
3. Front or rear windshield touching headlining and squeaking

Again, pressing on the components to stop the noise while duplicating the conditions can isolate most of these incidents. Repairs usually consist of insulating with felt cloth tape.

SEATS

When isolating seat noise it's important to note the position the seats in and the load placed on the seat when the noise occurs. These conditions should be duplicated when verifying and isolating the cause of the noise.

Cause of seat noise include:

1. Headrest rods and holder
2. A squeak between the seat pad cushion and frame
3. The rear seatback lock and bracket

These noises can be isolated by moving or pressing on the suspected components while duplicating the conditions under which the noise occurs. Most of these incidents can be repaired by repositioning the component or applying urethane tape to the contact area.

UNDERHOOD

Some interior noise may be caused by components under the hood or on the engine wall. The noise is then transmitted into the passenger compartment.

Causes of transmitted underhood noise include:

1. Any component mounted to the engine wall
2. Components that pass through the engine wall
3. Engine wall mounts and connectors
4. Loose radiator mounting pins
5. Hood bumpers out of adjustment
6. Hood striker out of adjustment

These noises can be difficult to isolate since they cannot be reached from the interior of the vehicle. The best method is to secure, move or insulate one component at a time and test drive the vehicle. Also, engine RPM or load can be changed to isolate the noise. Repairs can usually be made by moving, adjusting, securing, or insulating the component causing the noise.

A
B
C
D
E
F
G
H
I
J
DLK
L
M
N
O
P

SQUEAK AND RATTLE TROUBLE DIAGNOSES

< SYMPTOM DIAGNOSIS >

Diagnostic Worksheet

INFOID:000000008293995



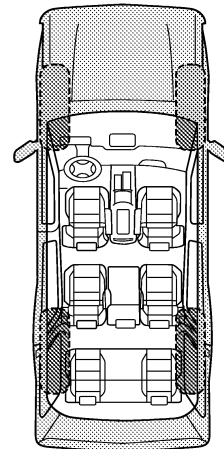
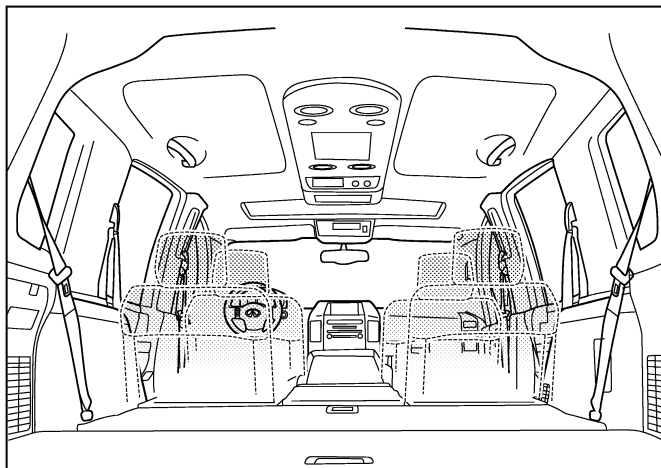
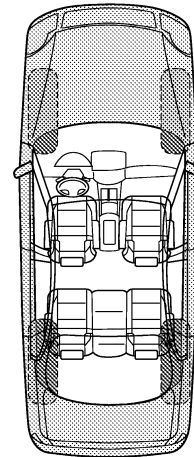
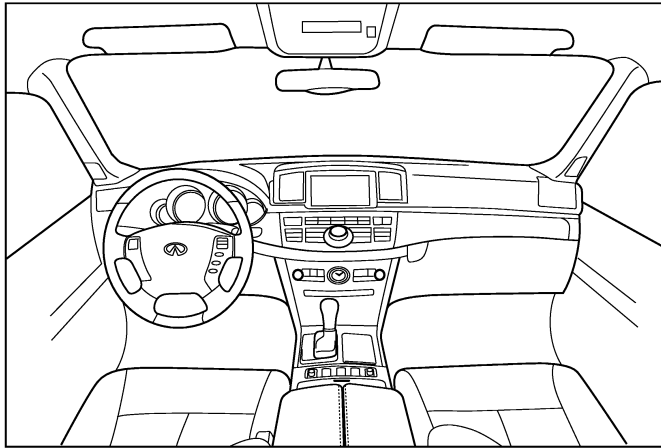
SQUEAK & RATTLE DIAGNOSTIC WORKSHEET

Dear Infiniti Customer:

We are concerned about your satisfaction with your Infiniti vehicle. Repairing a squeak or rattle sometimes can be very difficult. To help us fix your Infiniti right the first time, please take a moment to note the area of the vehicle where the squeak or rattle occurs and under what conditions. You may be asked to take a test drive with a service consultant or technician to ensure we confirm the noise you are hearing.

I. WHERE DOES THE NOISE COME FROM? (circle the area of the vehicle)

The illustrations are for reference only, and may not reflect the actual configuration of your vehicle.



Continue to page 2 of the worksheet and briefly describe the location of the noise or rattle. In addition, please indicate the conditions which are present when the noise occurs.

PIIB8741E

SQUEAK AND RATTLE TROUBLE DIAGNOSES

< SYMPTOM DIAGNOSIS >

SQUEAK & RATTLE DIAGNOSTIC WORKSHEET - page 2

Briefly describe the location where the noise occurs:

II. WHEN DOES IT OCCUR? (please check the boxes that apply)

- | | |
|---|--|
| <input type="checkbox"/> anytime | <input type="checkbox"/> after sitting out in the rain |
| <input type="checkbox"/> 1st time in the morning | <input type="checkbox"/> when it is raining or wet |
| <input type="checkbox"/> only when it is cold outside | <input type="checkbox"/> dry or dusty conditions |
| <input type="checkbox"/> only when it is hot outside | <input type="checkbox"/> other: |

III. WHEN DRIVING:

- through driveways
- over rough roads
- over speed bumps
- only about ____ mph
- on acceleration
- coming to a stop
- on turns: left, right or either (circle)
- with passengers or cargo
- other: _____
- after driving ____ miles or ____ minutes

IV. WHAT TYPE OF NOISE

- squeak (like tennis shoes on a clean floor)
- creak (like walking on an old wooden floor)
- rattle (like shaking a baby rattle)
- knock (like a knock at the door)
- tick (like a clock second hand)
- thump (heavy, muffled knock noise)
- buzz (like a bumble bee)

TO BE COMPLETED BY DEALERSHIP PERSONNEL

Test Drive Notes:

	YES	NO	Initials of person performing
Vehicle test driven with customer	<input type="checkbox"/>	<input type="checkbox"/>	_____
- Noise verified on test drive	<input type="checkbox"/>	<input type="checkbox"/>	_____
- Noise source located and repaired	<input type="checkbox"/>	<input type="checkbox"/>	_____
- Follow up test drive performed to confirm repair	<input type="checkbox"/>	<input type="checkbox"/>	_____

VIN: _____ Customer Name: _____
W.O.# _____ Date: _____

This form must be attached to Work Order

PIIB8742E

A
B
C
D
E
F
G
H
I
J
L
M
N
O
P

DLK

PRECAUTIONS

< PRECAUTION >

PRECAUTION

PRECAUTIONS

Precaution for Supplemental Restraint System (SRS) "AIR BAG" and "SEAT BELT PRE-TENSIONER"

INFOID:000000008293996

The Supplemental Restraint System such as "AIR BAG" and "SEAT BELT PRE-TENSIONER", used along with a front seat belt, helps to reduce the risk or severity of injury to the driver and front passenger for certain types of collision. This system includes seat belt switch inputs and dual stage front air bag modules. The SRS system uses the seat belt switches to determine the front air bag deployment, and may only deploy one front air bag, depending on the severity of a collision and whether the front occupants are belted or unbelted. Information necessary to service the system safely is included in the "SRS AIR BAG" and "SEAT BELT" of this Service Manual.

WARNING:

Always observe the following items for preventing accidental activation.

- To avoid rendering the SRS inoperative, which could increase the risk of personal injury or death in the event of a collision that would result in air bag inflation, all maintenance must be performed by an authorized NISSAN/INFINITI dealer.
- Improper maintenance, including incorrect removal and installation of the SRS, can lead to personal injury caused by unintentional activation of the system. For removal of Spiral Cable and Air Bag Module, see "SRS AIR BAG".
- Never use electrical test equipment on any circuit related to the SRS unless instructed to in this Service Manual. SRS wiring harnesses can be identified by yellow and/or orange harnesses or harness connectors.

PRECAUTIONS WHEN USING POWER TOOLS (AIR OR ELECTRIC) AND HAMMERS

WARNING:

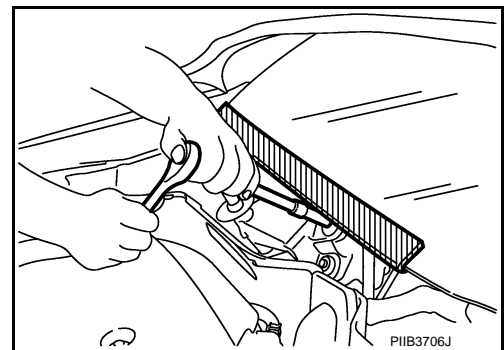
Always observe the following items for preventing accidental activation.

- When working near the Air Bag Diagnosis Sensor Unit or other Air Bag System sensors with the ignition ON or engine running, never use air or electric power tools or strike near the sensor(s) with a hammer. Heavy vibration could activate the sensor(s) and deploy the air bag(s), possibly causing serious injury.
- When using air or electric power tools or hammers, always switch the ignition OFF, disconnect the battery, and wait at least 3 minutes before performing any service.

Precaution for Procedure without Cowl Top Cover

INFOID:000000008293997

When performing the procedure after removing cowl top cover, cover the lower end of windshield with urethane, etc to prevent damage to windshield.



Precautions For Xenon Headlamp Service

INFOID:000000008293998

WARNING:

Comply with the following warnings to prevent any serious accident.

- Disconnect the battery cable (negative terminal) or the power supply fuse before installing, removing, or touching the xenon headlamp (bulb included). The xenon headlamp contains high-voltage generated parts.
- Never work with wet hands.
- Check the xenon headlamp ON-OFF status after assembling it to the vehicle. Never turn the xenon headlamp ON in other conditions. Connect the power supply to the vehicle-side connector.

PRECAUTIONS

< PRECAUTION >

(Turning it ON outside the lamp case may cause fire or visual impairments.)

- Never touch the bulb glass immediately after turning it OFF. It is extremely hot.

CAUTION:

Comply with the following cautions to prevent any error and malfunction.

- Install the xenon bulb securely. (Insufficient bulb socket installation may melt the bulb, the connector, the housing, etc. by high-voltage leakage or corona discharge.)
- Never perform HID circuit inspection with a tester.
- Never touch the xenon bulb glass with hands. Never put oil and grease on it.
- Dispose of the used xenon bulb after packing it in thick vinyl without breaking it.
- Never wipe out dirt and contamination with organic solvent (thinner, gasoline, etc.).

Work

INFOID:000000008293999

- After removing and installing the opening/closing parts, be sure to carry out fitting adjustments to check their operational.
- Check the lubrication level, damage, and wear of each part. If necessary, grease or replace it.

A
B
C
D
E
F
G
H
I
J
L
M
N
O
P

DLK

PREPARATION

< PREPARATION >

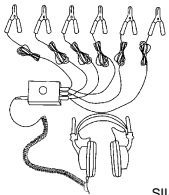
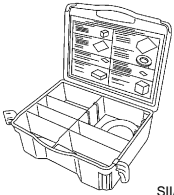
PREPARATION

PREPARATION

Special Service Tools

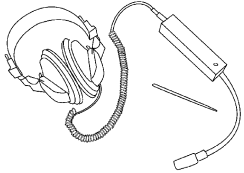
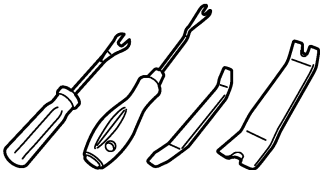

INFOID:000000008294000

The actual shapes of Kent-Moore tools may differ from those of special service tools illustrated here.

Tool number (Kent-Moore No.) Tool name	Description
<p>(J-39570) Chassis ear</p>  <p>SIIA0993E</p>	<p>Locates the noise</p>
<p>(J-43980) NISSAN Squeak and Rattle Kit</p>  <p>SIIA0994E</p>	<p>Repairs the cause of noise</p>

Commercial Service Tools

INFOID:000000008294001

Tool name	Description
<p>Engine ear</p>  <p>SIIA0995E</p>	<p>Locates the noise</p>
<p>Remover tool</p>  <p>JMKIA3050ZZ</p>	<p>Removes the clips, pawls and metal clips</p>
<p>Power tool</p>  <p>PIIB1407E</p>	

HOOD

< REMOVAL AND INSTALLATION >

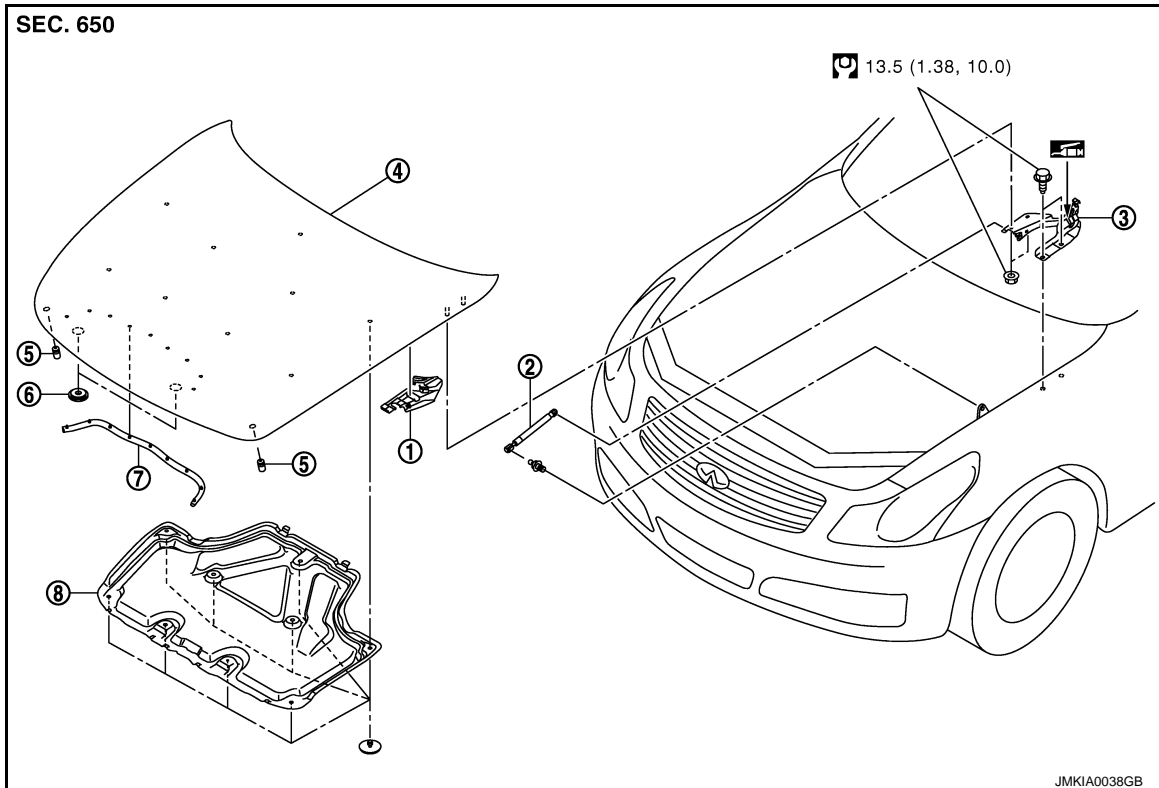
REMOVAL AND INSTALLATION

HOOD

HOOD ASSEMBLY

HOOD ASSEMBLY : Exploded View

INFOID:000000008294002



- | | | |
|-----------------------|-----------------------|---------------|
| 1. Hood hinge cover | 2. Hood stay | 3. Hood hinge |
| 4. Hood assembly | 5. Hood bumper rubber | 6. Seal |
| 7. Radiator core seal | 8. Hood insulator | |

Refer to [GI-4, "Components"](#) for symbols in the figure.

HOOD ASSEMBLY : Removal and Installation

INFOID:000000008294003

CAUTION:
Operate with two workers, because of its heavy weight.

REMOVAL

- Support the hood lock assembly with a proper material to prevent it from falling.
WARNING:
Body injury may occur if no supporting rod is holding the hood open when removing the hood stay.
- Remove the hood hinge cover (LH/RH).
- Remove the seal rubber, washer nozzle, washer tube. Refer to [WW-92, "Removal and Installation"](#).
- Remove the stud balls on the hood stays at the hood side.
- Remove the hinge mounting nuts on the hood to remove the hood assembly.
- Remove following parts after removing the hood assembly.
 - Radiator core seal
 - Hood insulator
 - Hood bumper rubber

A
B
C
D
E
F
G
H
I
J

DLK

L
M
N
O
P

HOOD

< REMOVAL AND INSTALLATION >

INSTALLATION

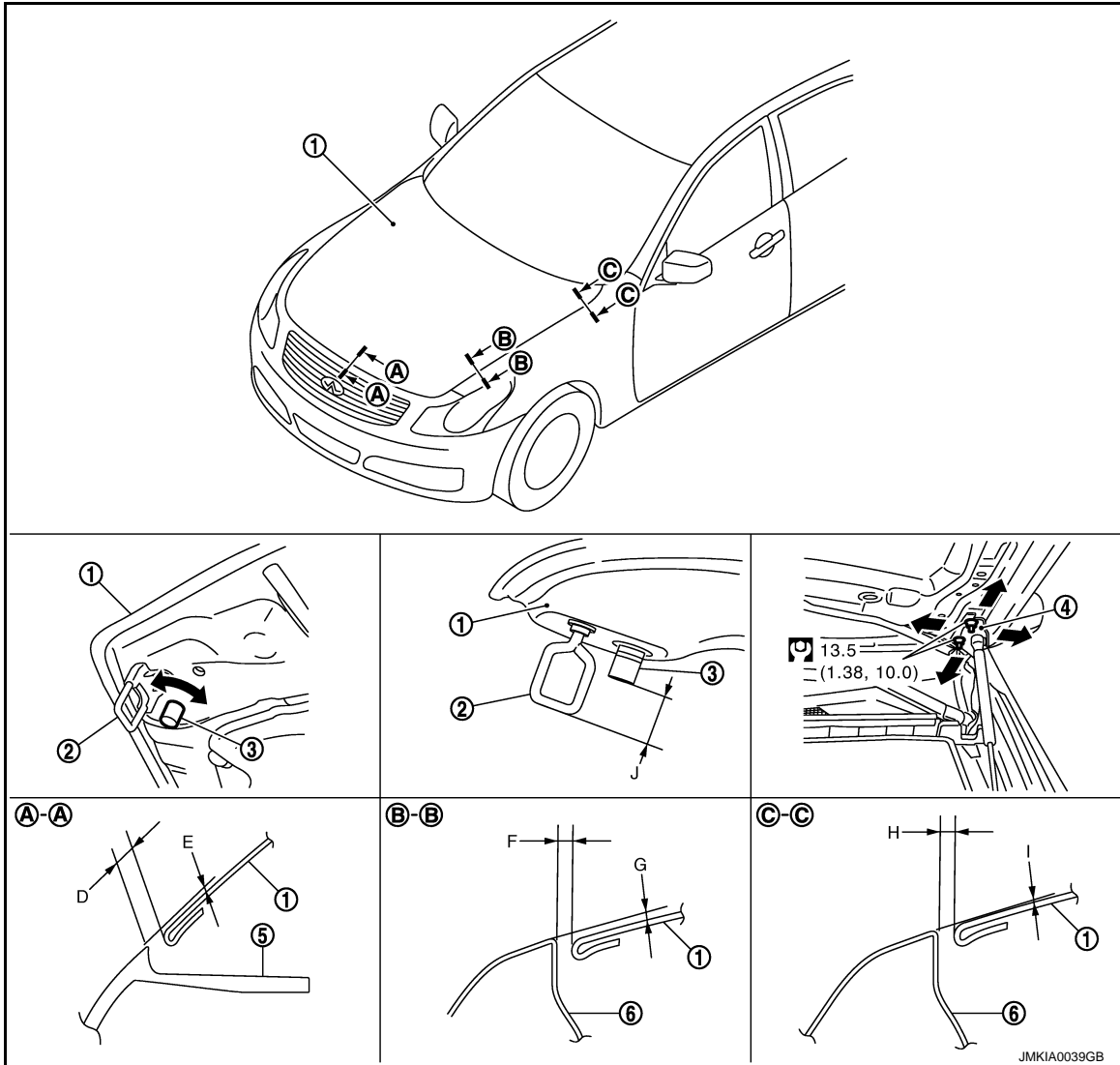
Install in the reverse order of removal.

CAUTION:

- Before installing hood hinge, apply anticorrosive agent onto the mounting surface of the vehicle body.
- After installing, perform hood fitting adjustment. Refer to [DLK-198, "HOOD ASSEMBLY : Adjustment"](#).

HOOD ASSEMBLY : Adjustment

INFOID:000000008294004



- | | | |
|------------------|-----------------|-----------------------|
| 1. Hood assembly | 2. Striker | 3. Hood bumper rubber |
| 4. Hood hinge | 5. Front bumper | 6. Front fender |

Refer to [GI-4, "Components"](#) for symbols in the figure.

Portion			Standard	Right/left Clearance (MAX)
Hood – Front bumper	A – A	D	Clearance 2.6 – 5.6 mm (0.102 – 0.220 in)	—
		E	Surface height –2.0 – 1.0 mm (–0.079 – 0.039 in)	—

HOOD

< REMOVAL AND INSTALLATION >

Portion			Standard	Right/left Clearance (MAX)	
Hood – Front fender	B – B	F	Clearance	2.5 – 4.5 mm (0.098 – 0.177 in)	2.0 mm (0.079 in)
		G	Surface height	–2.0 – 1.0 mm (–0.079 – 0.039 in)	—
	C – C	H	Clearance	2.5 – 4.5 mm (0.098 – 0.177 in)	2.0 mm (0.079 in)
		I	Surface height	–1.0 – 1.0 mm (–0.039 – 0.039 in)	—
Striker – hood bumper rubber	—	J	Clearance	32.5 – 33.5 mm (1.280 – 1.319 in)	—

1. Check the clearance and the surface height between the hood and each part visually and by touching. (Fitting standard dimension in the table below should be satisfied.)
2. In case out of specification, adjust them according to the procedures shown below.
3. Remove the striker and adjust the surface height of hood, front bumper and front fender according to the fitting standard dimension, by rotating hood bumper rubbers.
4. Adjust the clearance of striker, hood bumper rubber according to the fitting standard dimension.
5. Loosen the hood hinge mounting nuts on the hood.
6. Adjust the clearance of hood, front bumper and front fender according to the fitting standard dimension, for the hood.
7. Check that the hood lock primary latch is securely engaged with the striker by dropping hood from approximately 200 mm (7.874 in) height or pressing lightly on the hood.

CAUTION:

Never drop hood from a height of 300 mm (11.811 in) or more.

8. Install as static closing face of hood is 94 – 490 N·m (9.6 – 50.0 kg·m).

NOTE:

- Exercise vertical force on right side and left side of hood lock.
- Do not press simultaneously both sides.

9. After adjustment tighten hood hinge mounting nuts to the specified torque.

HOOD ASSEMBLY : Disposal

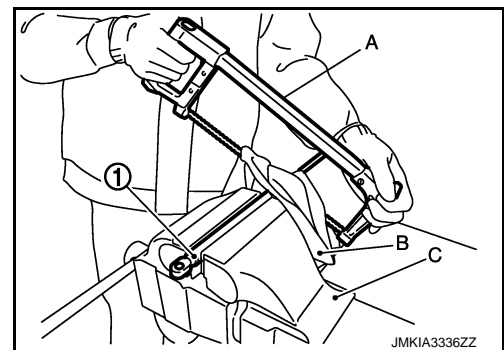
INFOID:000000008294005

DISPOSAL OF HOOD STAY

1. Fix hood stay (1) using a vise (C).
2. Using hacksaw (A) slowly make 2 holes in the hood stay, in numerical order as shown in the figure.

CAUTION:

- When cutting a hole on hood stay, always cover a hacksaw using a shop cloth (B) to avoid scattering metal fragments or oil.
- Wear eye protection (safety glasses).
- Wear gloves.

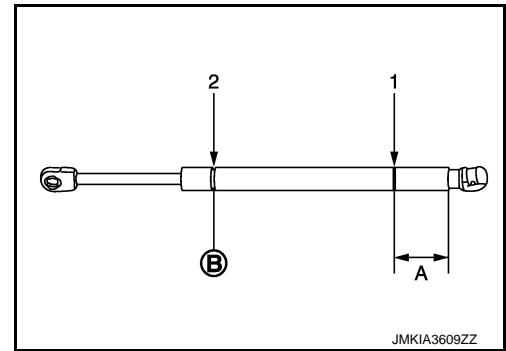


JMKIA3336ZZ

HOOD

< REMOVAL AND INSTALLATION >

- A: 20 mm (0.787 in)
- B: Cut at the groove.

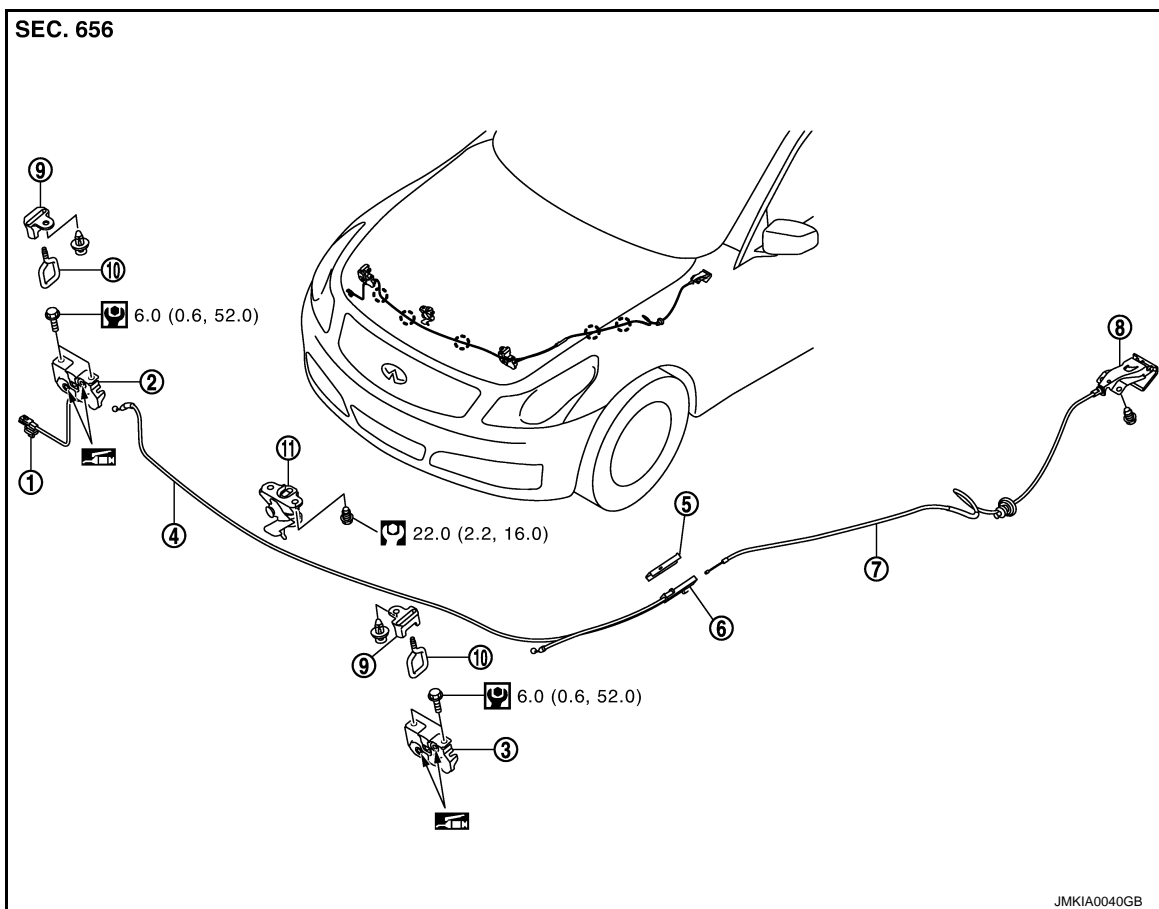


JMKIA3609ZZ

HOOD LOCK CONTROL


HOOD LOCK CONTROL : Exploded View

INFOID:000000008294006



JMKIA0040GB

- | | | |
|---------------------------------------|--|--------------------------------------|
| 1. Hood lock switch harness connector | 2. Hood lock (RH) | 3. Hood lock (LH) |
| 4. Hood lock control cable (Front) | 5. Hood lock control cable protector cover | 6. Hood lock control cable protector |
| 7. Hood lock control cable (Rear) | 8. Hood lock opener | 9. Hood lock cover |
| 10. Striker | 11. Secondary latch | |

 : Clip

Refer to [GI-4, "Components"](#) for symbols in the figure.

HOOD LOCK CONTROL : Removal and Installation

INFOID:000000008294007

REMOVAL

1. Remove the washer tank. Refer to [WW-89, "Removal and Installation"](#).

HOOD

< REMOVAL AND INSTALLATION >

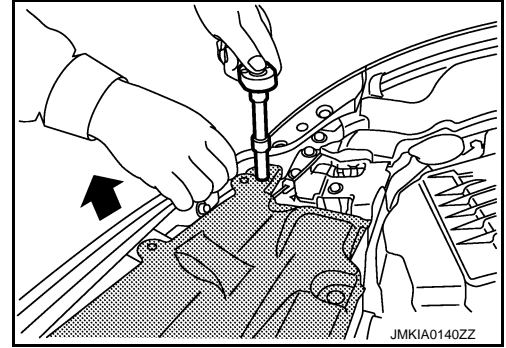
2. Remove the radiator core support ornament.
 - Remove the radiator core support ornament mounting bolts and clips.

NOTE:


To remove the mounting bolts on both sides of radiator core support ornament, first remove the mounting bolts of front bumper (shown by arrows in the figure) and pull up the bumper edge slightly to get working clearance.

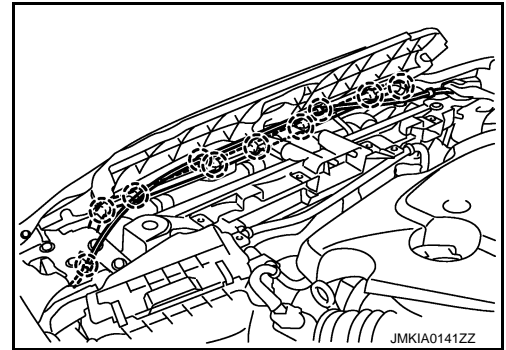
CAUTION:

Never apply excessive force while pulling front bumper to prevent front bumper and front fender from being damaged.

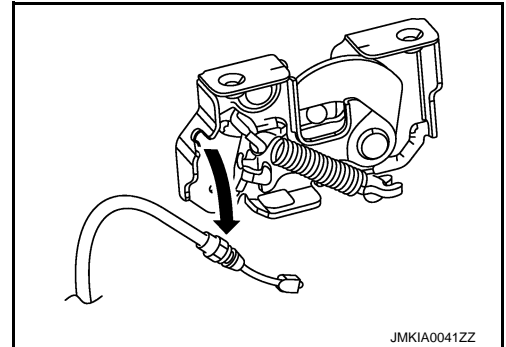


- Hold both sides of radiator core support ornament, pull it upwards and slide it rearwards of the vehicle.
- Disconnect the harness clip and hood lock control cable clip on radiator core support.

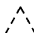
 : Clip

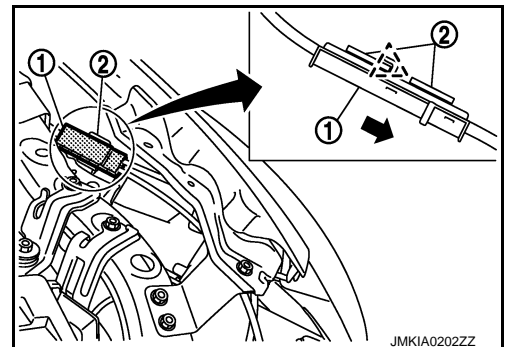


3. Remove the fender protector (LH). Refer to [EXT-27. "FENDER PROTECTOR : Removal and Installation"](#).
4. Disconnect hood lock switch harness connector (RH side).
5. Remove the hood lock bracket mounting bolts, and remove the hood lock bracket assembly.
6. Remove the hood lock mounting bolts, and disassemble the hood lock from the hood lock bracket.
7. Disconnect the hood lock control cable from the hood lock and clip it to the hood-ledge.



8. Remove the hood lock control cable protector (1) from the headlamp assembly (2).

 : Pawl

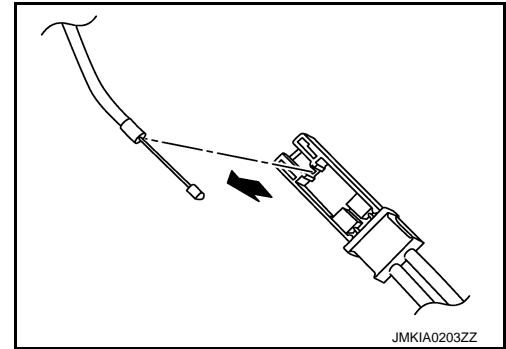


9. Remove the hood lock control cable cover from hood lock control cable protector.

HOOD

< REMOVAL AND INSTALLATION >

10. Disconnect the hood lock control cable from hood lock control cable protector.



11. Remove the mounting screws and then remove the hood lock opener.
12. Remove the grommet on the dashboard, and pull the hood lock control cable toward the passenger compartment.

CAUTION:

While pulling, never to damage (peeling) the outside of the hood lock control cable.

INSTALLATION

Install in the reverse order of removal.

CAUTION:

- Never to bend the cable too much, keeping the radius 100 mm (3.94 in) or more.
- Check that the hood lock control cable is properly engaged with the hood lock.
- After installing, perform hood fitting adjustment. Refer to [DLK-198, "HOOD ASSEMBLY : Adjustment"](#).
- After installing, perform the hood lock control inspection. Refer to [DLK-202, "HOOD LOCK CONTROL : Inspection"](#).

HOOD LOCK CONTROL : Inspection

INFOID:000000008294008

NOTE:

If the hood lock cable is bent or deformed, replace it.

1. Check that the secondary latch is properly engaged with the hood lock stay by hood weight.
2. While operating the hood opener, carefully check that the front end of the hood is raised by approximately 20 mm (0.787 in). Also check that the hood opener returns to the original position.
3. Check that the hood opener operating is 49 N (5.0 kg) or below.
4. Install so that static closing face of hood is 94 – 490 N·m (9.6 – 50.0 kg·m).

NOTE:

- Exercise vertical force on right side and left side of hood lock.
- Do not press simultaneously both sides.

5. Check the hood lock lubrication condition. If necessary, apply body grease to the hood lock.

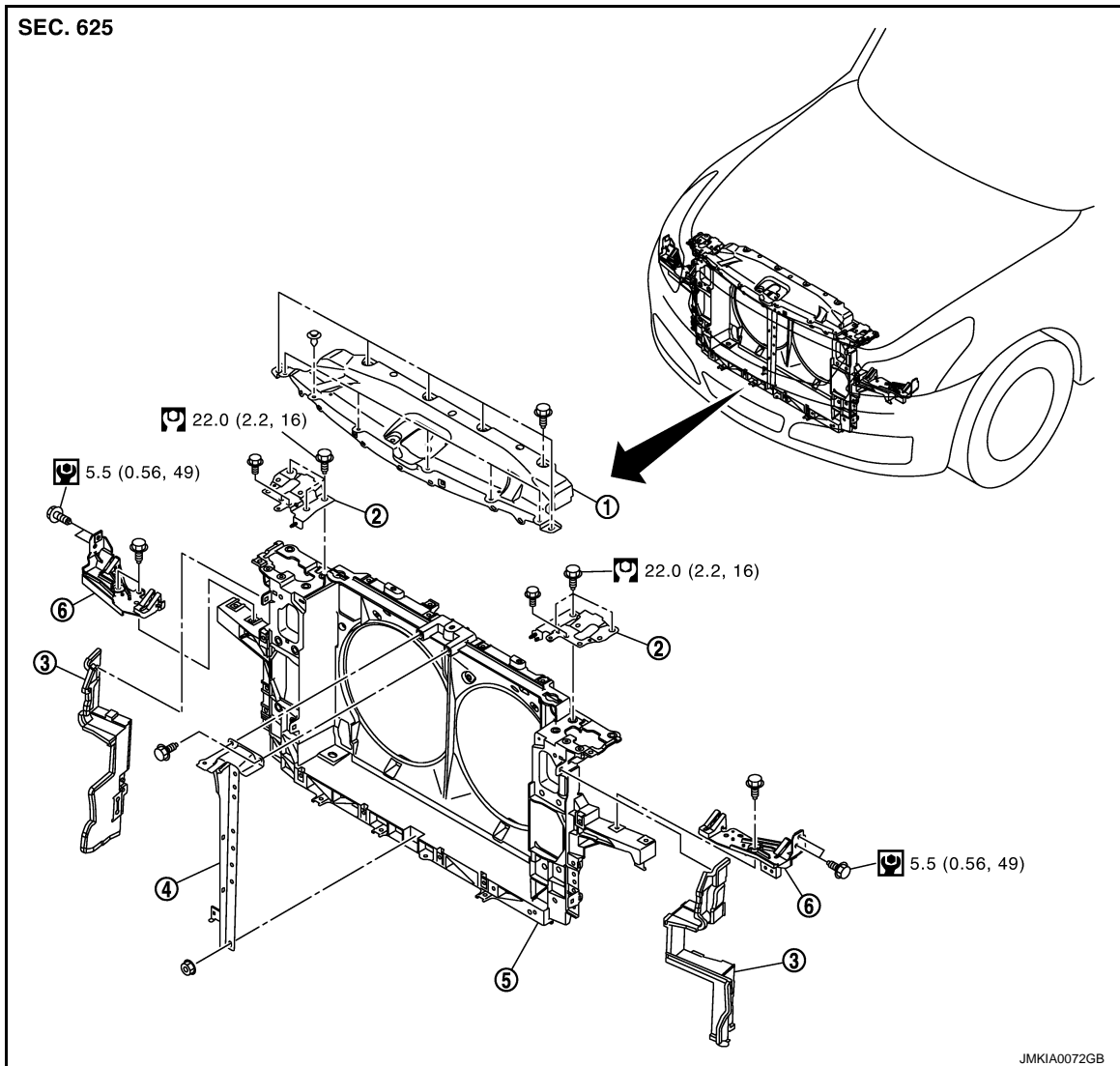
RADIATOR CORE SUPPORT

< REMOVAL AND INSTALLATION >

RADIATOR CORE SUPPORT

Exploded View

INFOID:000000008294009



- | | | |
|-----------------------------------|-----------------------------------|----------------------|
| 1. Radiator core support ornament | 2. Hood lock bracket | 3. Air guide |
| 4. Hood lock stay | 5. Radiator core support assembly | 6. Head-lamp bracket |

Refer to [GI-4, "Components"](#) for symbols in the figure.

Removal and Installation

INFOID:000000008294010

REMOVAL

1. Remove the front bumper fascia and front bumper reinforcement. Refer to [EXT-15, "Removal and Installation"](#).
2. Remove the radiator reserve tank. Refer to [CO-15, "Exploded View"](#).
3. Remove horn (High/Low). Refer to [HRN-4, "Removal and Installation"](#).
4. Remove the radiator core support ornament.
 - Remove the radiator core support ornament mounting bolts and clips.

NOTE:

RADIATOR CORE SUPPORT

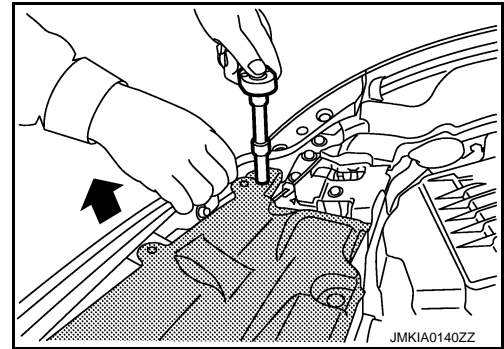
< REMOVAL AND INSTALLATION >

In the case that only radiator core support ornament is removed (front bumper is not removed), remove them according to the procedures shown below.


- To remove the mounting bolts on both sides of radiator core support ornament, first remove the mounting bolts of front bumper (shown by arrows in the figure) and pull up the bumper edge slightly to get working clearance.

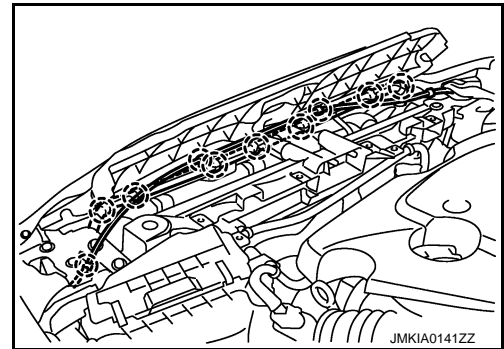
CAUTION:

Never apply excessive force while pulling front bumper to prevent front bumper and front fender from being damaged.



- Hold both sides of radiator core support ornament, pull it upwards and slide it to the rear of the vehicle.
- Disconnect the harness clip and hood lock control cable clip on radiator core support.

 : Clip



5. Remove the front combination lamp. Refer to [EXL-139. "Removal and Installation"](#).
6. Remove the hood lock bracket assembly.
7. Remove the washer inlet and washer tank. Refer to [WW-89. "Removal and Installation"](#).
8. Remove the ambient sensor. Refer to [HAC-166. "Removal and Installation"](#).
9. Remove the power steering oil cooler. Refer to [ST-56. "2WD : Exploded View"](#) (2WD), [ST-58. "AWD : Exploded View"](#) (AWD).
10. Remove the air guide mounting clips and then remove air guide.
11. Disconnect the harness connector from liquid tank, and disconnect harness clamp from radiator core support.
12. Remove the hood lock stay.
13. Remove the engine lower cover. Refer to [EXT-32. "Removal and Installation"](#).
14. Drain engine coolant from radiator & condenser. Refer to [CO-9. "Draining"](#).
15. Remove the radiator upper hose and lower hose on radiator & condenser assembly side.
16. Remove the A/T fluid cooler hose on radiator & condenser assembly side. Refer to [TM-298. "2WD : Removal and Installation"](#) (2WD), [TM-301. "AWD : Removal and Installation"](#) (AWD).
17. Disconnect condenser pipe assembly at one touch joint. Refer to [HA-48. "CONDENSER PIPE ASSEMBLY : Removal and Installation"](#).
18. Remove the radiator core support assembly mounting bolts, and draw out radiator core support assembly forward of the vehicle.
19. Disconnect the cooling fan and crush zone sensor harness connector and clamp.
20. Remove the radiator core support assembly.
21. Remove the following parts after removing the radiator core support assembly.
 - Head lamp bracket.
 - Cooling fan. Refer to [CO-19. "Removal and Installation"](#).
 - Radiator & condenser assembly. Refer to [CO-16. "Removal and Installation"](#).
 - Crush zone sensor. Refer to [SR-20. "Removal and Installation"](#).
 - Crush zone sensor bracket.

INSTALLATION

Install in the reverse order of removal.

RADIATOR CORE SUPPORT

< REMOVAL AND INSTALLATION >

CAUTION:

After installation, refill the following parts.

- Power steering fluid. Refer to [ST-12, "Inspection"](#).
- A/T fluid. Refer to [TM-261, "Changing"](#).
- Engine coolant. Refer to [CO-10, "Refilling"](#).

A

B

C

D

E

F

G

H

I

J

DLK

L

M

N

O

P

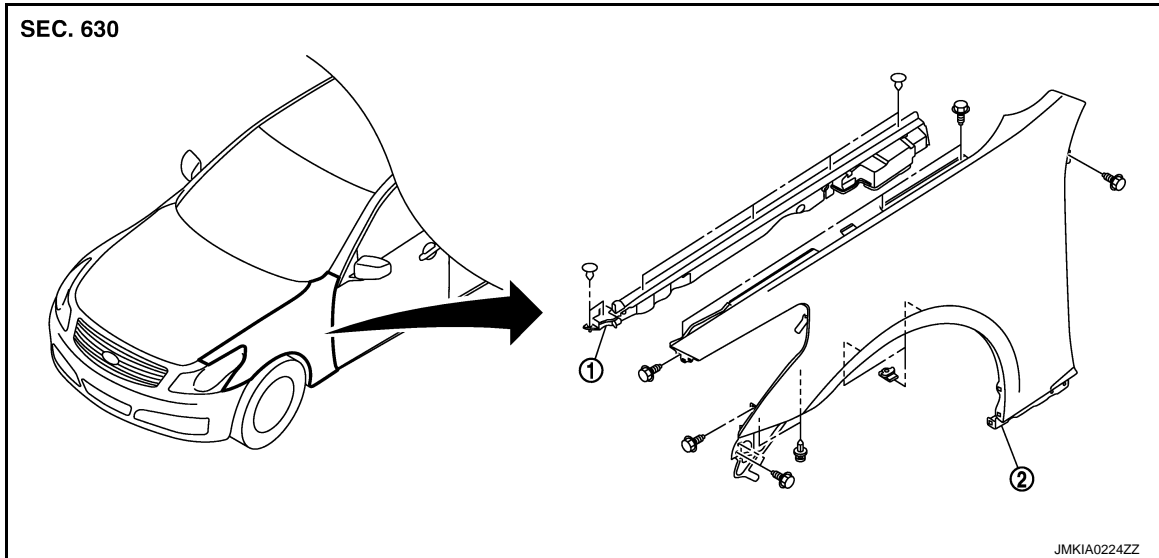
FRONT FENDER

< REMOVAL AND INSTALLATION >

FRONT FENDER

Exploded View

INFOID:000000008294011



1. Hood seal assembly (side) 2. Front fender

Removal and Installation

INFOID:000000008294012

REMOVAL

1. Remove the front bumper fascia. Refer to [EXT-15, "Removal and Installation"](#).
2. Remove the hood seal assembly (side).
3. Remove the front combination lamp. Refer to [EXL-139, "Removal and Installation"](#).
4. Remove the fender protector. Refer to [EXT-27, "FENDER PROTECTOR : Removal and Installation"](#).
5. Remove the center mudguard. Refer to [EXT-30, "Removal and Installation"](#).
6. Remove the mounting bolts and remove the front fender.

CAUTION:

While removing use a shop cloth to protect body from damaging.

INSTALLATION

Install in the reverse order of removal.

CAUTION:

- After installing, apply touch-up paint (the body color) onto the head of the front fender mounting bolts.
- After installing, check front fender adjustment. Refer to [DLK-198, "HOOD ASSEMBLY : Adjustment"](#) and [DLK-207, "FRONT DOOR : Adjustment"](#).

DOOR

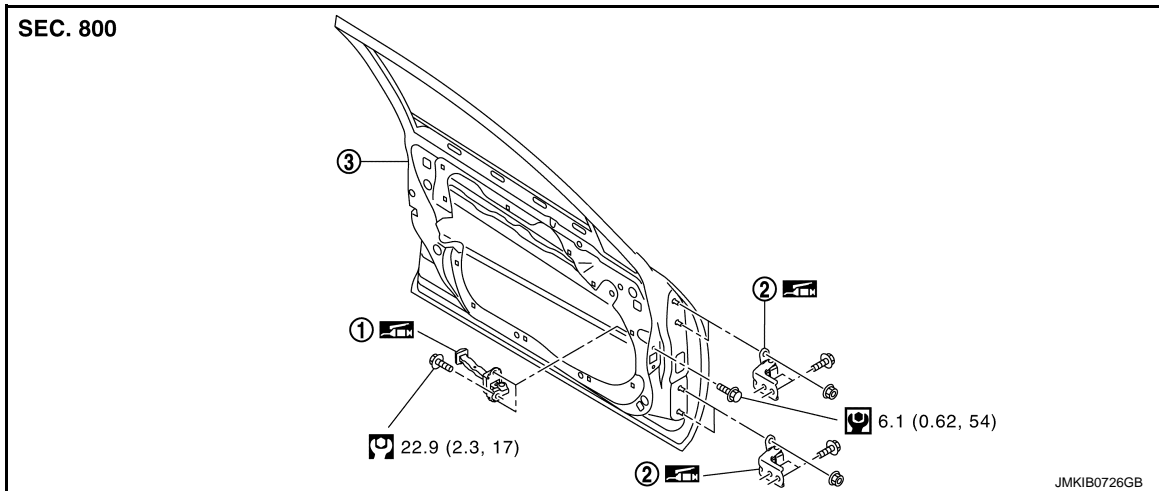
< REMOVAL AND INSTALLATION >

DOOR

FRONT DOOR

FRONT DOOR : Exploded View

INFOID:000000008294013



1. Check link
 2. Door hinge (upper, lower)
 3. Front door panel
- Refer to [GI-4. "Components"](#) for symbols in the figure.

FRONT DOOR : Removal and Installation

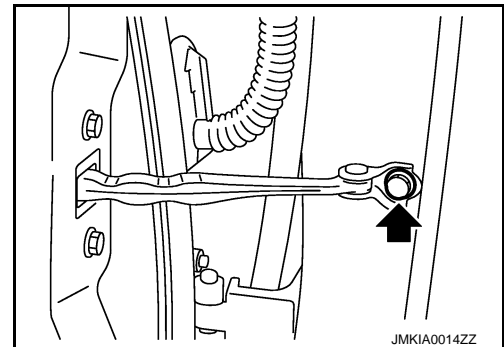
INFOID:000000008294014

REMOVAL

CAUTION:

- When removing and installing the front door assembly, support the door with a jack and cloth to protect the door and body.
- When removing and installing front door assembly, perform the fitting adjustment. Refer to [DLK-207. "FRONT DOOR : Adjustment"](#).
- After installing, apply touch-up paint (the body color) onto the head of the hinge mounting nuts.
- Check the hinge rotating part for poor lubrication. If necessary, apply body grease.
- Operate with two workers, because of its heavy weight.
- Check front door open/close operation after installation.

1. Remove the mounting bolt of the check link on the vehicle.



2. Pull the lever and disconnect the door harness connector while removing tabs of door harness connector.
3. Remove the door side hinge mounting nuts, then remove the door assembly.

INSTALLATION

Install in the reverse order of removal.

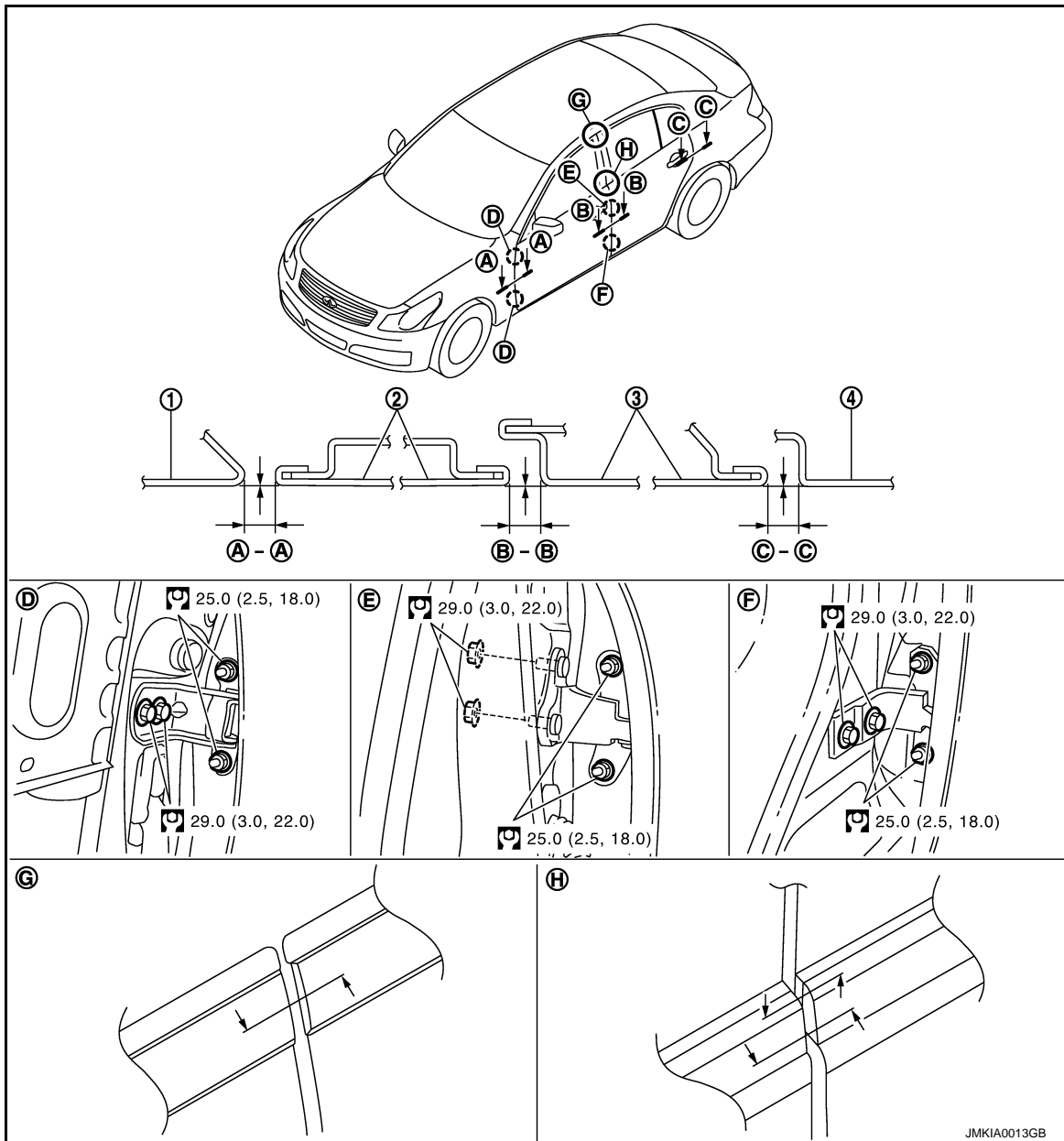
FRONT DOOR : Adjustment

INFOID:000000008294015

CLEARANCE, SURFACE HEIGHT AND SURFACE MISMATCH ADJUSTMENT

DOOR

< REMOVAL AND INSTALLATION >



1. Front fender

2. Front door outer

3. Rear door outer

4. Rear fender

Refer to [GI-4, "Components"](#) for symbols in the figure.

1. Check the clearance and surface height and surface mismatch between the front door and each part visually and by touching. (Fitting standard dimension in the table below should be satisfied.)

Portion		Clearance	Surface height	Surface mismatch
Front fender – Front door	A – A	2.5 – 4.5 mm (0.098 – 0.177 in)	–1.0 – 1.0 mm (–0.039 – 0.039 in)	—
Front door – Rear door	B – B	2.5 – 4.5 mm (0.098 – 0.177 in)	–0.5 – 1.0 mm (–0.020 – 0.039 in)	—

DOOR

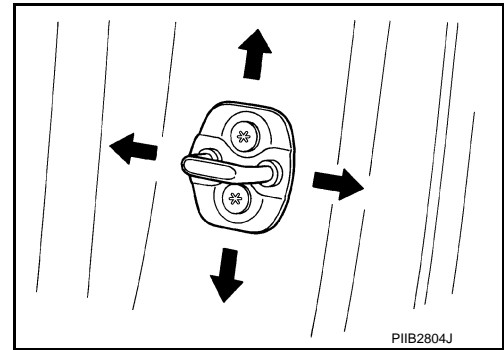
< REMOVAL AND INSTALLATION >

Portion		Clearance	Surface height	Surface mismatch
Front door sash molding – Rear door sash molding	G	—	-1.5 – 1.5 mm (-0.059 – 0.059 in)	—
Front door outside molding – Rear door outside molding	H	—	-1.5 – 1.5 mm (-0.059 – 0.059 in)	-1.5 – 1.5 mm (-0.059 – 0.059 in)

- In case out of specification, adjust them according to the procedures shown below.
- Remove the front fender. Refer to [DLK-206, "Removal and Installation"](#).
- Loosen the hinge mounting nuts on door side.
- Adjust the surface height and surface mismatch of the front door according to the fitting standard dimension.
- Temporarily tighten the hinge mounting nuts on door side.
- Loosen the hinge mounting bolts on body side.
- Raise the front door at rear end to adjust clearance of the front door according to the fitting standard dimension.
- After adjustment tighten bolts and nuts to the specified torque.
- Install the front fender. Refer to [DLK-206, "Removal and Installation"](#).

STRIKER ADJUSTMENT

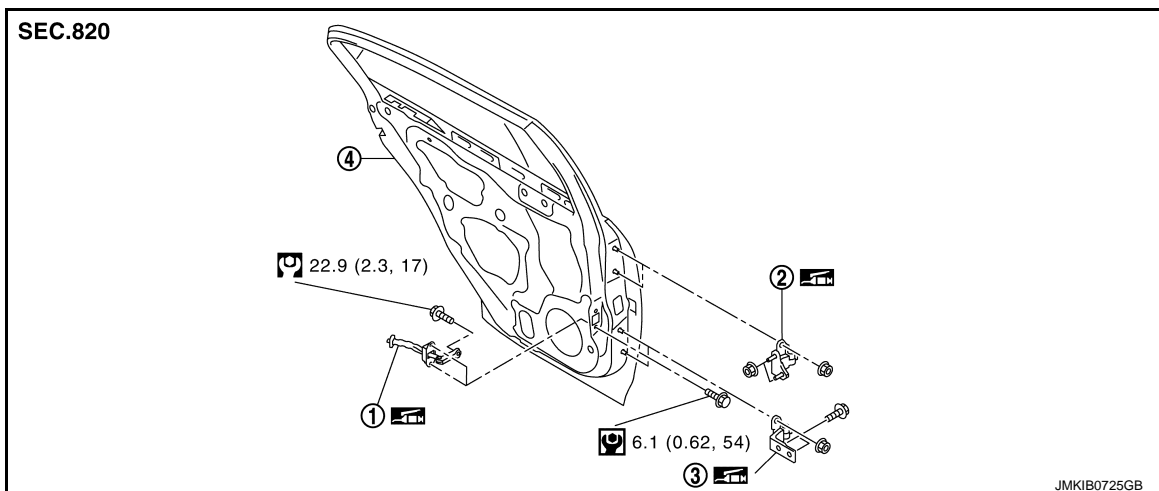
Adjust the striker so that it becomes parallel with the lock insertion direction.



REAR DOOR

REAR DOOR : Exploded View

INFOID:000000008294016



- Check link
- Door hinge (upper)
- Door hinge (lower)
- Rear door panel

Refer to [GI-4, "Components"](#) for the symbols in the figure.

DOOR

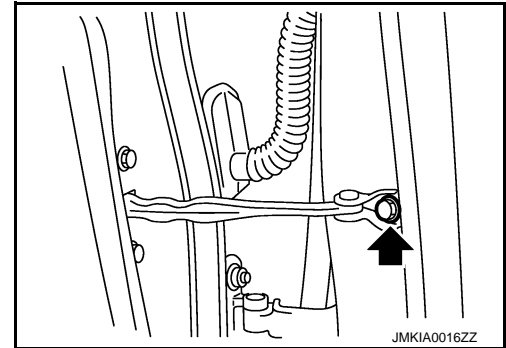
< REMOVAL AND INSTALLATION >

REAR DOOR : Removal and Installation

INFOID:000000008294017

REMOVAL

1. Remove the mounting bolt of the check link on the vehicle.



2. Pull out grommet and disconnect rear door harness connector.
3. Remove the door side hinge mounting nuts and remove the door assembly.

CAUTION:

- When removing and installing the rear door assembly, support the door with a jack and cloth to protect the door and body.
- When removing and installing rear door assembly, perform the fitting adjustment. Refer to [DLK-210, "REAR DOOR : Adjustment"](#).
- Check the hinge rotating part for poor lubrication. If necessary, apply body grease.
- After installing, apply touch-up paint (the body color) onto the head of the hinge mounting nuts.
- Operate with two workers, because of its heavy weight.
- Check rear door open/close operation after installation.

INSTALLATION

Install in the reverse order of removal.

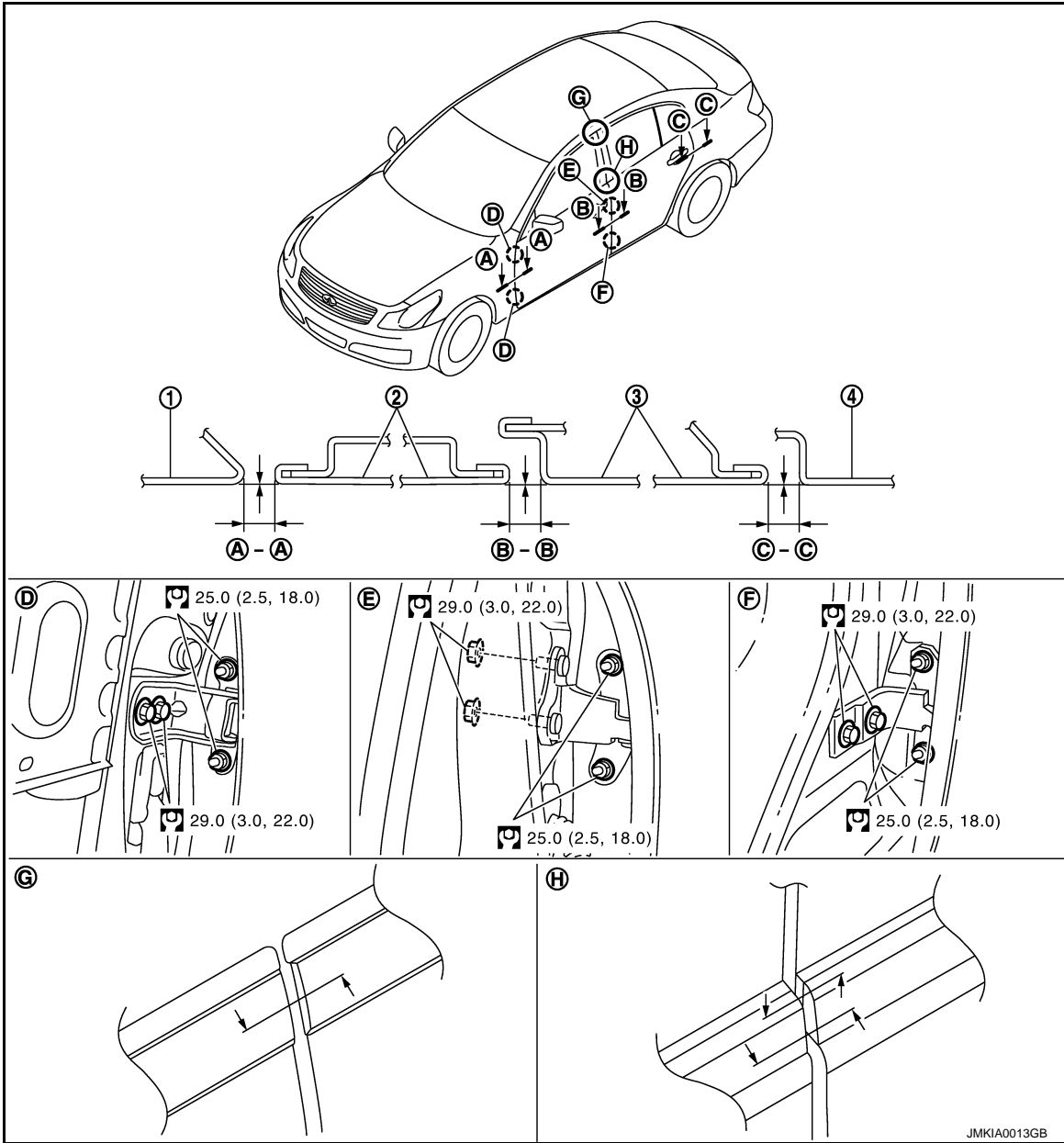
REAR DOOR : Adjustment

INFOID:000000008294018

CLEARANCE, SURFACE HEIGHT AND SURFACE MISMATCH ADJUSTMENT

DOOR

< REMOVAL AND INSTALLATION >



- 1. Front fender
- 2. Front door outer
- 3. Rear door outer
- 4. Rear fender

Refer to [GI-4, "Components"](#) for the symbols in the figure.

1. Check the clearance and surface height and surface mismatch between the rear door and each part visually and by touching. (Fitting standard dimension in the table below should be satisfied.)

Portion		Clearance	Surface height	Surface mismatch
Front door – Rear door	B – B	2.5 – 4.5 mm (0.098 – 0.177 in)	–0.5 – 1.0 mm (–0.020 – 0.039 in)	—
Rear door – Rear fender	C – C	2.5 – 4.5 mm (0.098 – 0.177 in)	–0.5 – 1.0 mm (–0.020 – 0.039 in)	—

A
B
C
D
E
F
G
H
I
J
K
L
M
N
O
P

DLK

DOOR

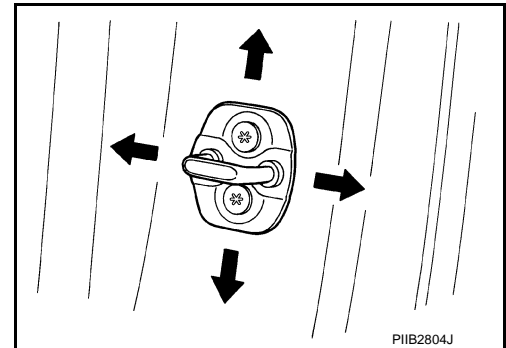
< REMOVAL AND INSTALLATION >

Portion		Clearance	Surface height	Surface mismatch
Front door sash molding – Rear door weather-strip	G	—	–1.5 – 1.5 mm (–0.059 – 0.059 in)	—
Front door outside molding – Rear door outside molding	H	—	–1.5 – 1.5 mm (–0.059 – 0.059 in)	–1.5 – 1.5 mm (–0.059 – 0.059 in)

2. In case out of specification, adjust them according to the procedures shown below.
3. Remove the center pillar upper garnish and center pillar lower garnish. Refer to [INT-14, "Removal and Installation"](#).
4. Loosen the hinge mounting nuts on door side.
5. Adjust the surface height and surface mismatch of the rear door according to the fitting standard dimension.
6. Temporarily tighten the hinge mounting nuts on door side.
7. Loosen the hinge mounting nuts and bolts on body side.
8. Raise the rear door at rear end to adjust clearance of the rear door according to the fitting standard dimension.
9. After adjustment tighten bolts and nuts to the specified torque.
10. Install the center pillar upper garnish and center pillar lower garnish. Refer to [INT-14, "Removal and Installation"](#).

STRIKER ADJUSTMENT

Adjust the striker so that it becomes parallel with the lock insertion direction.



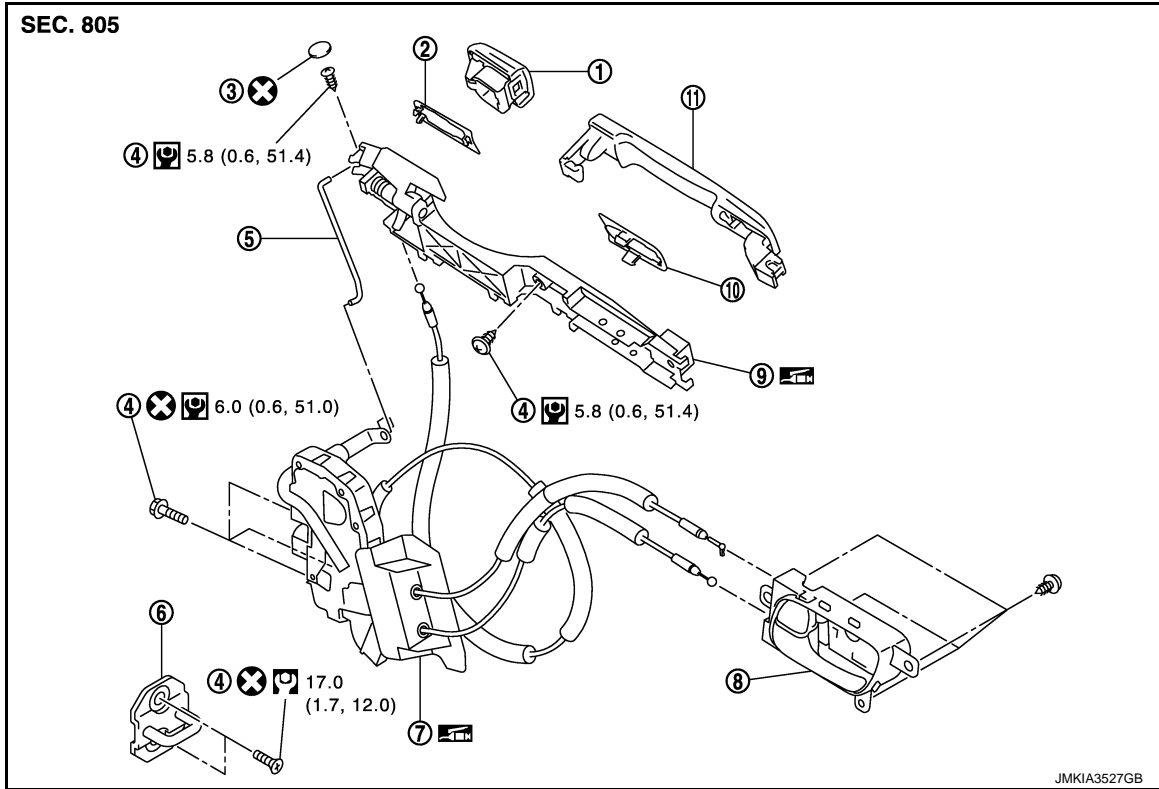
DOOR LOCK

< REMOVAL AND INSTALLATION >

DOOR LOCK FRONT DOOR LOCK

FRONT DOOR LOCK : Exploded View

INFOID:000000008294019



- | | | |
|---|-------------------------------|---------------------------|
| 1. Door key cylinder assembly (Driver side) | 2. Rear gasket | 3. Grommet |
| Outside handle escutcheon (Passenger side) | | |
| 4. TORX bolt | 5. Key rod (Driver side only) | 6. Striker |
| 7. Door lock assembly | 8. Inside handle | 9. Outside handle bracket |
| 10. Front gasket | 11. Outside handle | |

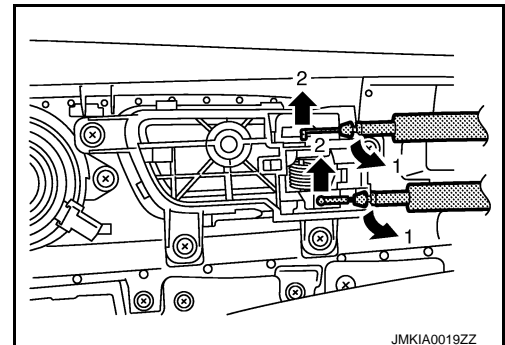
Refer to [GI-4, "Components"](#) for symbols in the figure.

FRONT DOOR LOCK : Removal and Installation

INFOID:000000008294020

REMOVAL

1. Remove the front door finisher. Refer to [INT-11, "Removal and Installation"](#).
2. Disconnect the inside handle knob cable and lock knob cable from the back side of the front door finisher.



3. Remove the front door glass and front door module assembly.

A
B
C
D
E
F
G
H
I
J

DLK

L
M
N
O
P

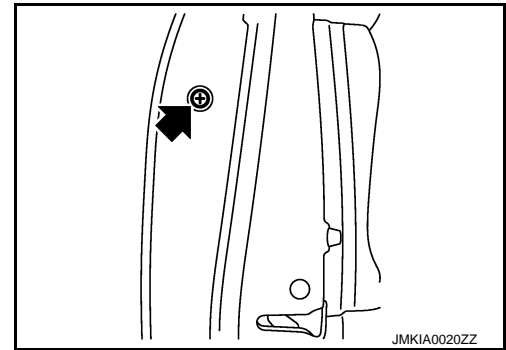
DOOR LOCK

< REMOVAL AND INSTALLATION >

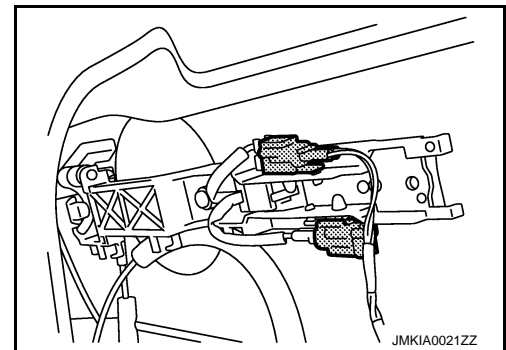
- Door glass: Refer to [GW-14. "Removal and Installation"](#).
 - Door module: Refer to [GW-16. "Removal and Installation"](#).
4. Remove door side grommet, and remove door key cylinder assembly (driver side) and outside handle escutcheon (passenger side) TORX bolt from grommet hole.

CAUTION:

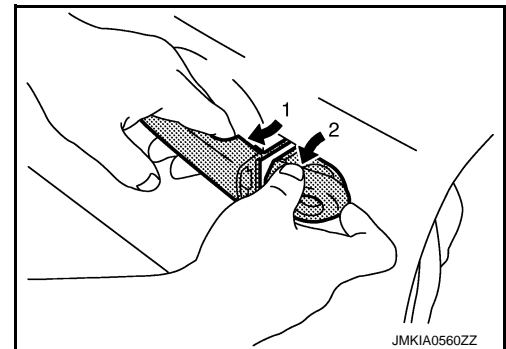
Never forcibly remove the TORX bolt.



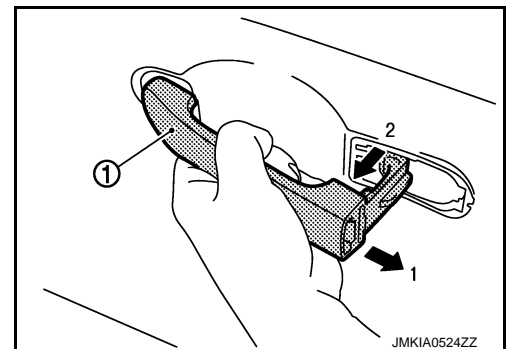
5. Disconnect door antenna and door request switch connector and remove harness clamp.



6. Reach in to separate the key rod connection (on the handle).
7. While pulling the outside handle, remove door key cylinder assembly.



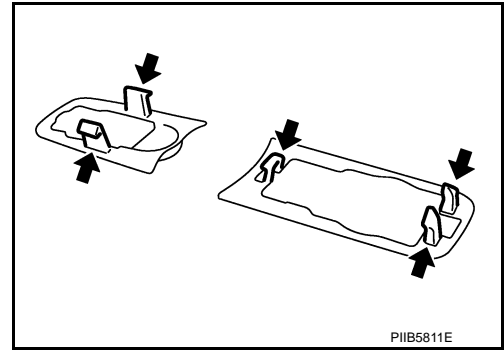
8. Slide outside handle (1) toward rear of vehicle and pull to remove outside handle.



DOOR LOCK

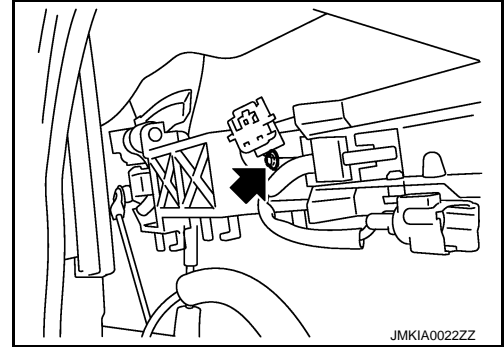
< REMOVAL AND INSTALLATION >

9. Remove the front gasket and rear gasket.

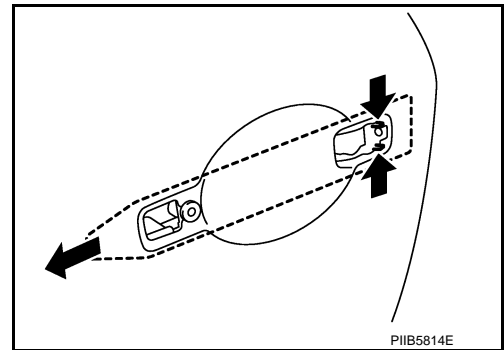


10. Remove the TORX bolt, and remove the door lock assembly.

11. Remove the TORX bolt of the outside handle bracket.

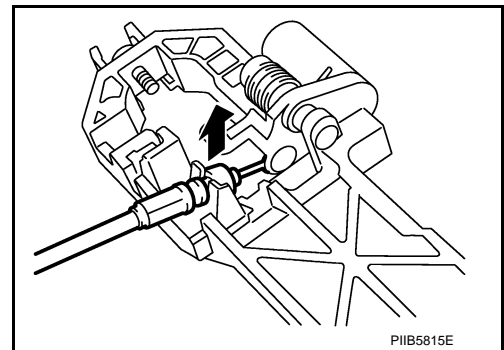


12. While pulling outside handle bracket, slide toward rear of vehicle to remove outside handle bracket.



13. Disconnect the door lock actuator connector and remove the door lock assembly.

14. Reach in to separate the outside handle cable connection.



INSTALLATION

Install in the reverse order of removal.

CAUTION:

To install each rod, rotate the rod holder until a click is felt.

REAR DOOR LOCK

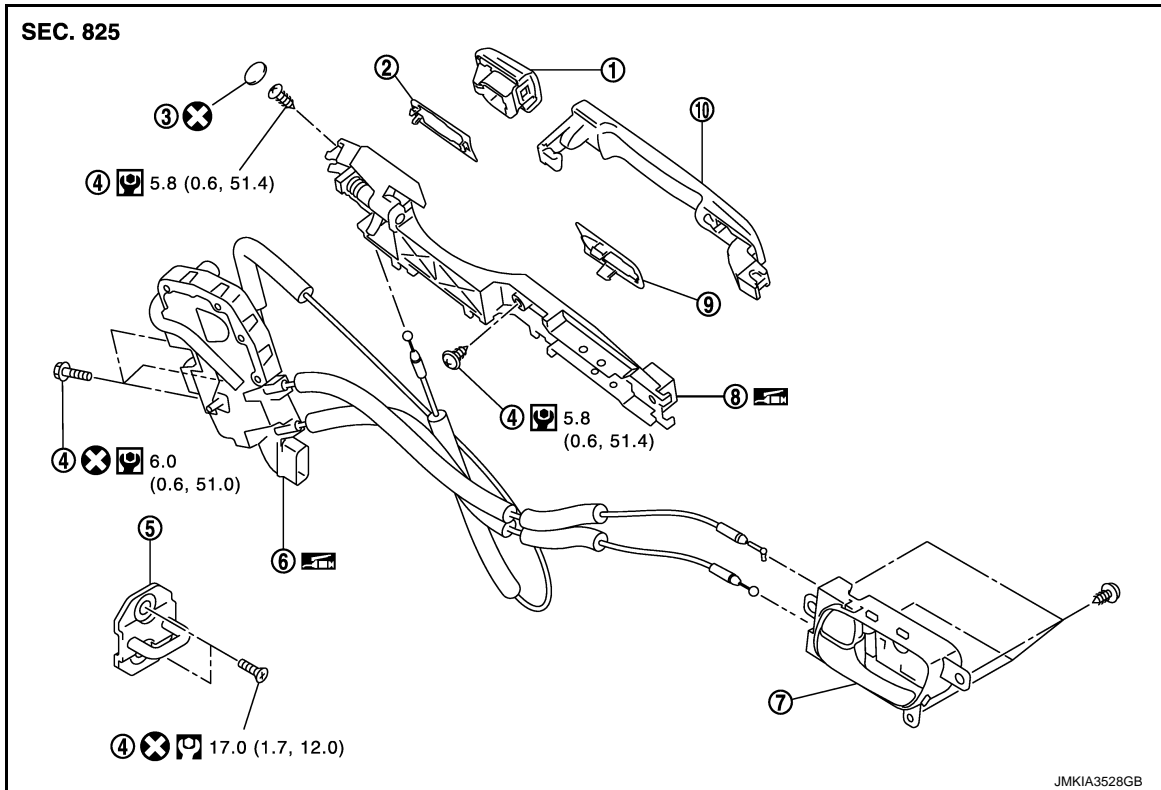
A
B
C
D
E
F
G
H
I
J
DLK
L
M
N
O
P

DOOR LOCK

< REMOVAL AND INSTALLATION >

REAR DOOR LOCK : Exploded View

INFOID:000000008294021



- | | | |
|------------------------------|---------------------------|-----------------------|
| 1. Outside handle escutcheon | 2. Rear gasket | 3. Grommet |
| 4. TORX bolt | 5. Striker | 6. Door lock assembly |
| 7. Inside handle | 8. Outside handle bracket | 9. Front gasket |
| 10. Outside handle | | |

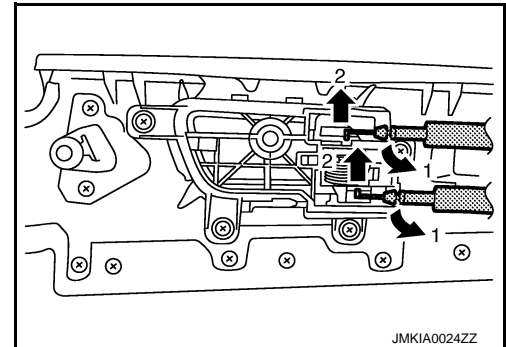
Refer to [GI-4. "Components"](#) for symbols in the figure.

REAR DOOR LOCK : Removal and Installation

INFOID:000000008294022

REMOVAL

1. Remove the rear door finisher. Refer to [INT-11. "Removal and Installation"](#).
2. Disconnect the inside handle knob cable and lock knob cable from the back side of the rear door finisher.



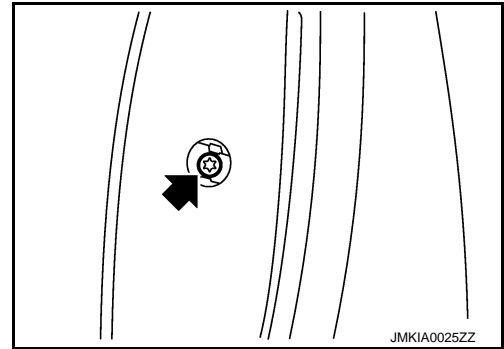
3. Remove the rear door glass. Refer to [GW-18. "Removal and Installation"](#).
4. Remove door side grommet, and remove outside handle escutcheon TORX bolt from grommet hole.

CAUTION:

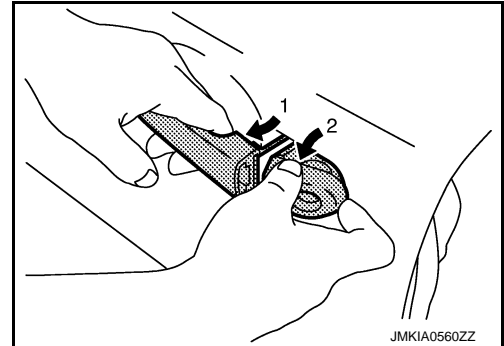
DOOR LOCK

< REMOVAL AND INSTALLATION >

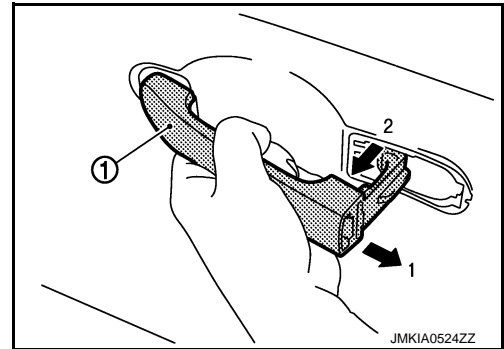
Never forcibly remove the TORX bolt.



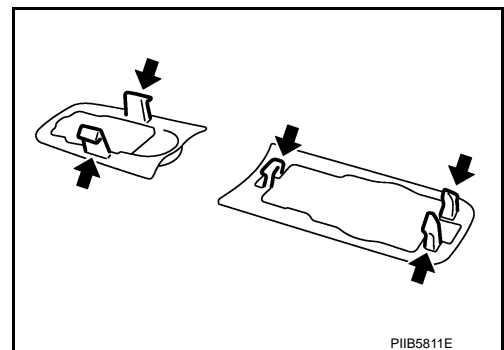
5. While pulling the outside handle, remove outside handle escutcheon.



6. Slide outside handle (1) toward rear of vehicle and pull to remove outside handle.



7. Remove the front gasket and rear gasket.



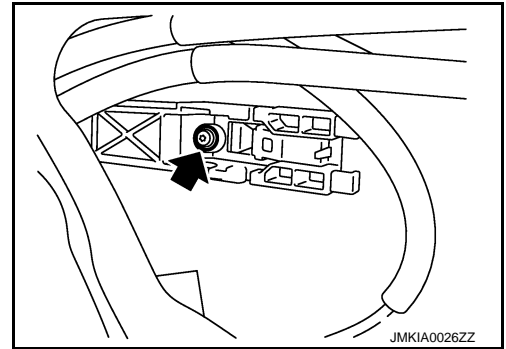
8. Remove the TORX bolt, remove the door lock assembly.

A
B
C
D
E
F
G
H
I
J
DLK
L
M
N
O
P

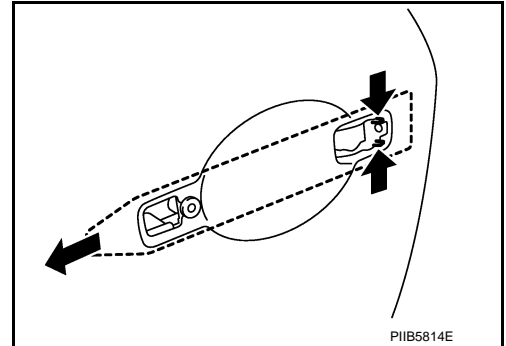
DOOR LOCK

< REMOVAL AND INSTALLATION >

9. Remove the TORX bolt, and remove the outside handle bracket.

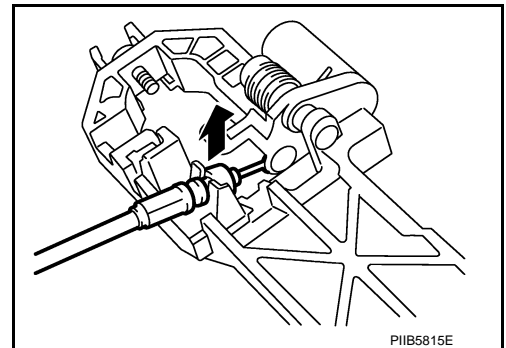


10. While pulling outside handle, slide toward rear of vehicle to remove outside handle.



11. Disconnect the door lock actuator connector and remove the door lock assembly.

12. Reach in to separate outside handle cable connection.



INSTALLATION

Install in the reverse order of removal.

CAUTION:

To install each rod, rotate the rod holder until a click is felt.

TRUNK LID

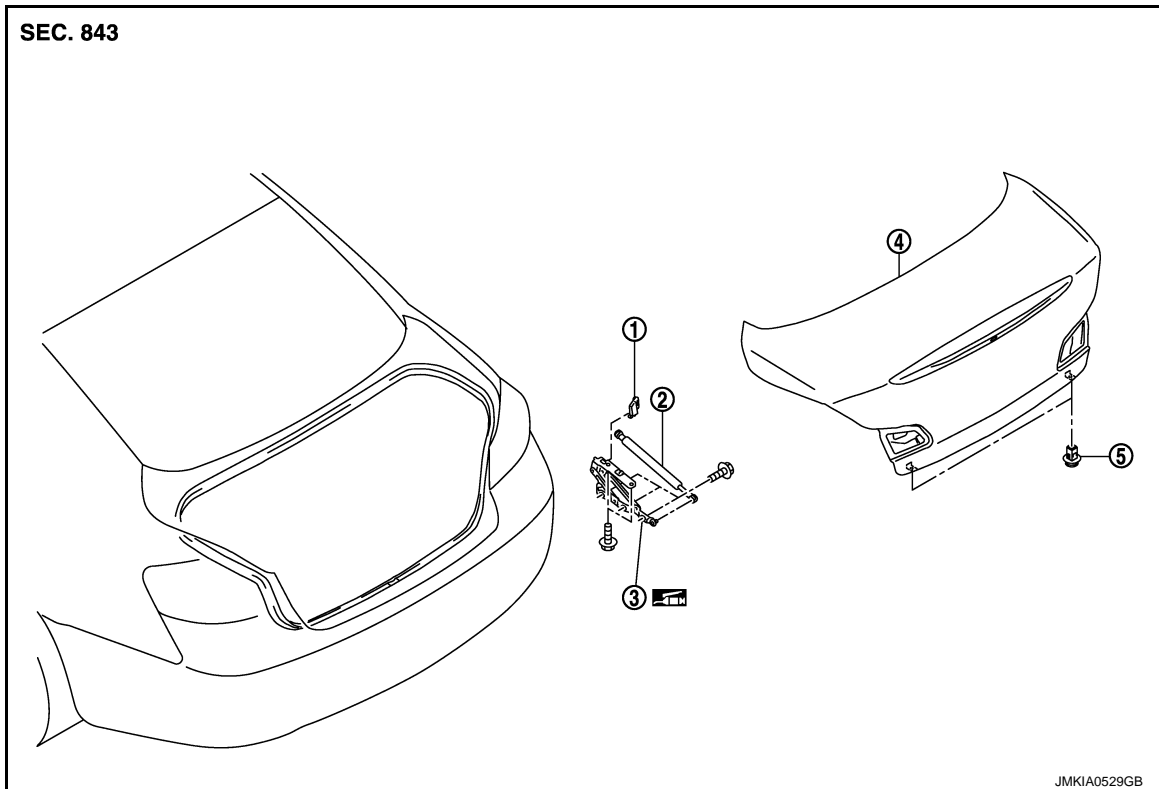
< REMOVAL AND INSTALLATION >

TRUNK LID

TRUNK LID ASSEMBLY

TRUNK LID ASSEMBLY : Exploded View

INFOID:000000008294023



1. Trunk lid hinge stopper
2. Trunk lid stay
3. Trunk lid hinge
4. Trunk lid assembly
5. Bumper rubber

Refer to [GI-4, "Components"](#) for the symbols in the figure.

TRUNK LID ASSEMBLY : Removal and Installation

INFOID:000000008294024

REMOVAL

1. Remove trunk lid finisher inner. Refer to [INT-31, "Removal and Installation"](#).
2. Disconnect the connectors in the trunk lid, and remove the harness clamps to pull the harness out of the trunk lid.
3. Insert flat-bladed screwdriver into the gap and remove holder.
4. Remove trunk lid stay.

WARNING:

Body injury may occur if no supporting rod is holding the trunk lid open when removing the damper stay.

5. Remove the trunk lid hinge mounting bolts on trunk lid side and remove the trunk lid assembly.

INSTALLATION

Install in the reverse order of removal.

CAUTION:

- After installing, apply touch-up paint (the body color) onto the head of the hinge mounting bolts.
- After installing, check operation.
- After installing, perform fitting adjustment. Refer to [DLK-220, "TRUNK LID ASSEMBLY : Adjustment"](#).

A
B
C
D
E
F
G
H
I
J

DLK

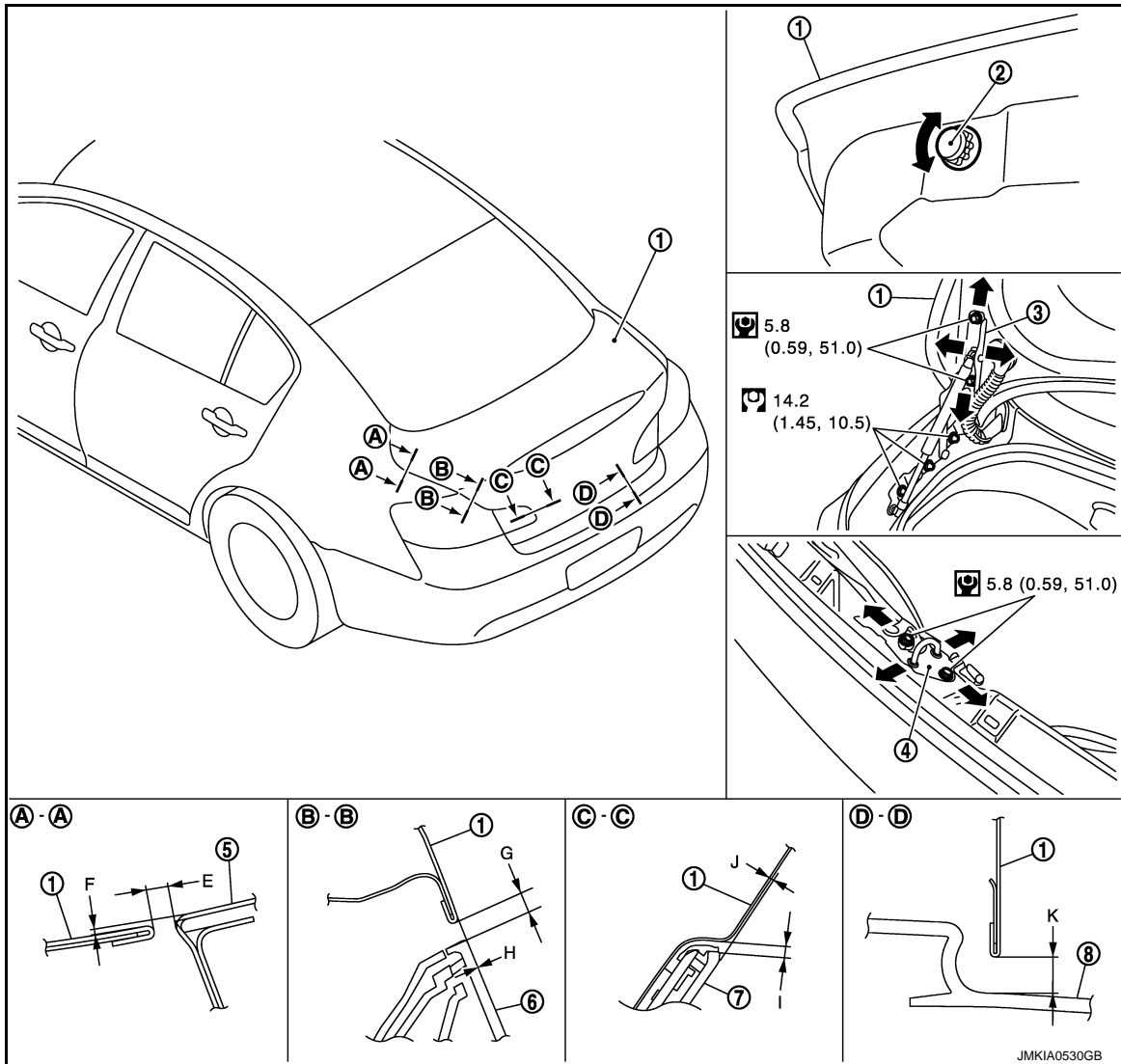
L
M
N
O
P

TRUNK LID

< REMOVAL AND INSTALLATION >

TRUNK LID ASSEMBLY : Adjustment

INFOID:000000008294025



- | | | |
|-----------------------|------------------|--------------------------|
| 1. Trunk lid assembly | 2. Bumper rubber | 3. Trunk lid hinge |
| 4. Trunk lid striker | 5. Rear fender | 6. Rear combination lamp |
| 7. Back up lamp | 8. Rear bumper | |

Refer to [GI-4, "Components"](#) for symbols in the figure.

1. Check the clearance and the evenness between the trunk lid and each part visually and by touching. (Fitting standard dimension in the table below should be satisfied.)

Portion			Standard	Right/left Clearance (MAX)	
Trunk lid – Rear fender	A – A	E	Clearance	2.5 – 4.5 mm (0.098 – 0.177 in)	1.5 mm (0.059 in)
		F	Surface height	–1.5 – 0.5 mm (0.059 – 0.020 in)	1.5 mm (0.059 in)
Trunk lid – Rear combination lamp	B – B	G	Clearance	3.9 – 7.1 mm (0.154 – 0.280 in)	2.1 mm (0.083 in)
		H	Surface height	–2.1 – 0.9 mm (–0.083 – 0.035 in)	2.0 mm (0.079 in)

TRUNK LID

< REMOVAL AND INSTALLATION >

Portion			Standard	Right/left Clearance (MAX)
Trunk lid – Back-up lamp	C – C	I	Clearance 1.7 – 3.7 mm (0.067 – 0.146 in)	1.2 mm (0.047 in)
		J	Surface height –1.8 – 0.6 mm (–0.071 – 0.024 in)	1.5 mm (0.059 in)
Trunk lid – Rear bumper	D – D	K	Clearance 4.0 – 8.0 mm (0.157 – 0.315 in)	—

- In case out of specification, adjust them according to the procedures shown below.
- Loosen the bumper rubber.
- Loosen the striker mounting bolts.
- Lift up the trunk lid approximately 100 – 150 mm (3.937 – 5.906 in) height then close it lightly and check that it is engaged firmly with the trunk lid closed.
- Check the clearance and evenness.
- Finally tighten the trunk lid striker.

TRUNK LID ASSEMBLY : Disposal

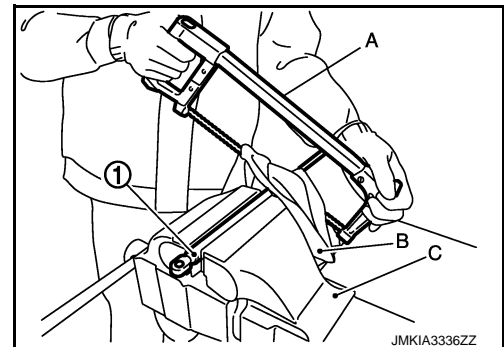
INFOID:000000008294026

DISPOSAL OF TRUNK LID STAY

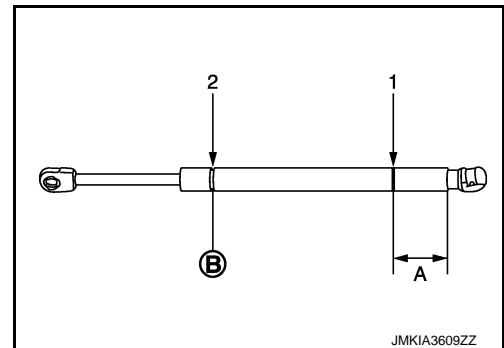
- Fix trunk lid stay (1) using a vise (C).
- Using hacksaw (A) slowly make 2 holes in the trunk lid stay, in numerical order as shown in the figure.

CAUTION:

- When cutting a hole on trunk lid stay, always cover a hacksaw using a shop cloth (B) to avoid scattering metal fragments or oil.
- Wear eye protection (safety glasses).
- Wear gloves.



- A: 20 mm (0.787 in)
- B: Cut at the groove.



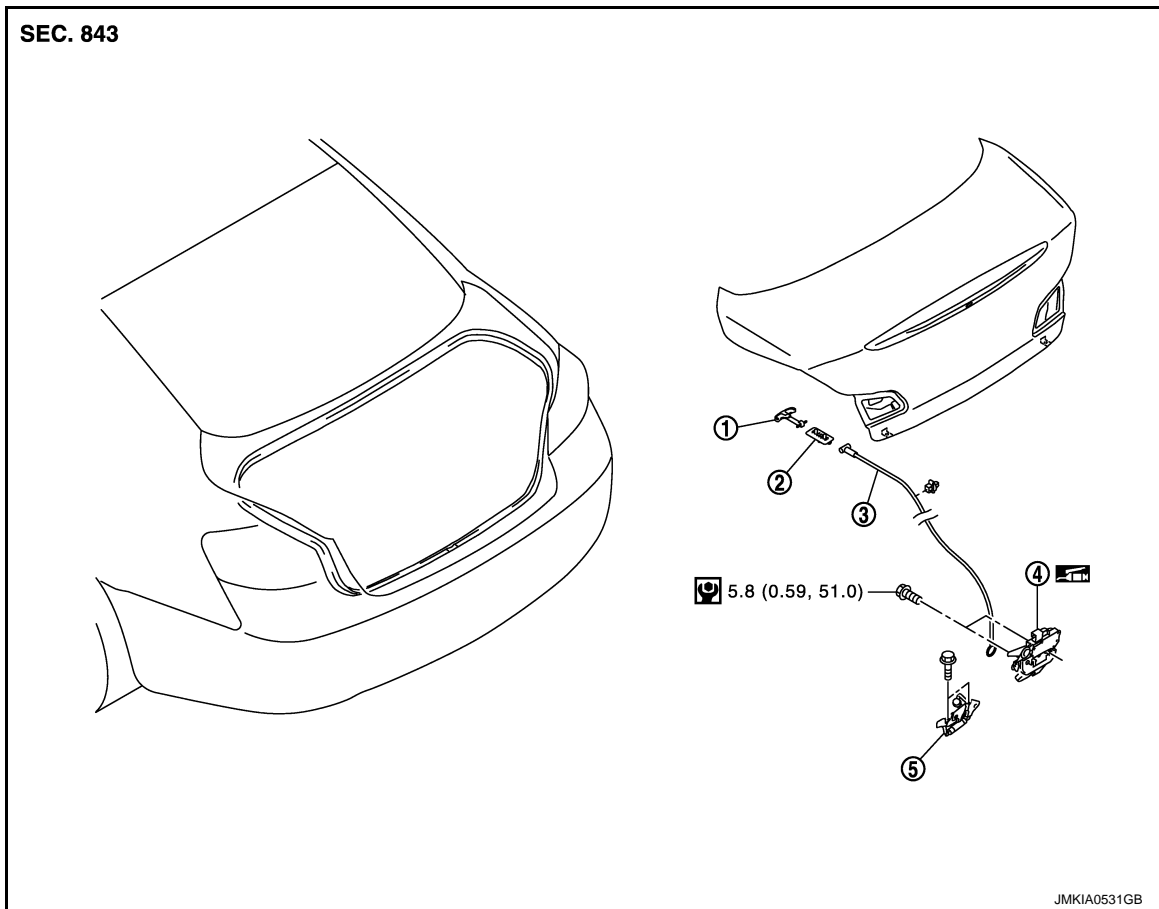
TRUNK LID LOCK

TRUNK LID

< REMOVAL AND INSTALLATION >

TRUNK LID LOCK : Exploded View

INFOID:000000008294027



1. Trunk lid emergency opener lever
2. Trunk lid emergency opener lever holder
3. Trunk lid opener cable holder
4. Trunk lid lock
5. Trunk lid striker

Refer to [GI-4. "Components"](#) for symbols in the figure.

TRUNK LID LOCK : Removal and Installation

INFOID:000000008294028

REMOVAL

1. Remove the trunk lid finisher inner. Refer to [INT-31, "Removal and Installation"](#).
2. Remove the trunk lid emergency opener lever.
3. Disconnect the trunk lid opener cable.
4. Disconnect the connector from trunk lid lock.
5. Remove the mounting bolts, and remove the trunk lid lock.

INSTALLATION

Install in the reverse order of removal.

NOTE:

- After installing, perform trunk lid fitting adjustment. Refer to [DLK-220, "TRUNK LID ASSEMBLY : Adjustment"](#).
- After installing, check the operation.

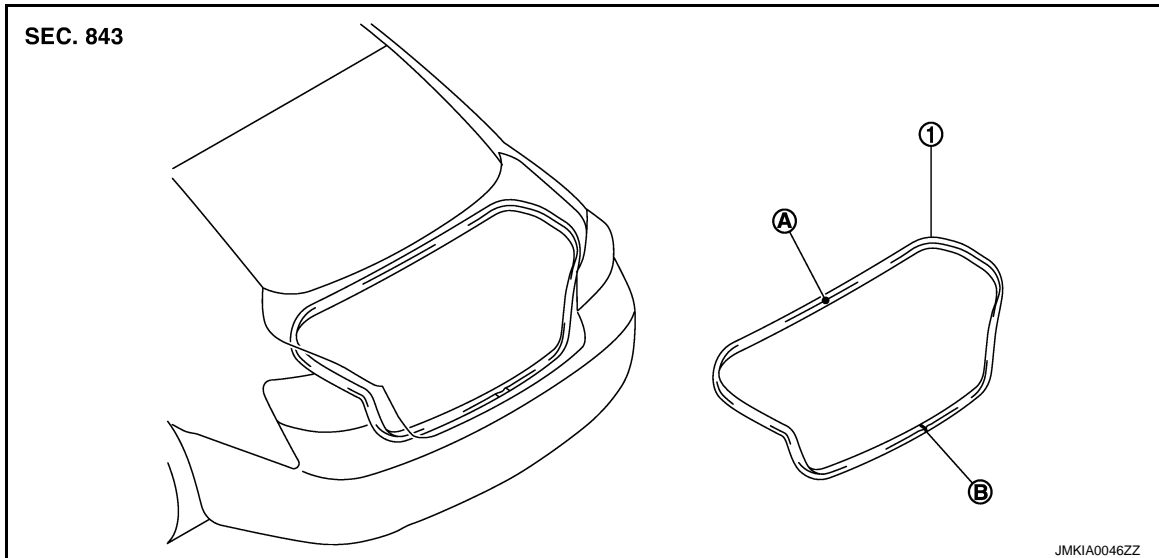
TRUNK LID WEATHERSTRIP

TRUNK LID

< REMOVAL AND INSTALLATION >

TRUNK LID WEATHERSTRIP : Exploded View

INFOID:000000008294029



1. Weather-strip

(A) Seam (upper)

(B) Seam (lower)

TRUNK LID WEATHERSTRIP : Removal and Installation

INFOID:000000008294030

REMOVAL

Pull up and remove engagement with body from weather-strip joint.

CAUTION:

After removal, never pull strongly on the weather-strip.

INSTALLATION

1. Align the weather-strip seam (upper) with mark of the body panel and weather-strip onto the vehicle.
2. Align the weather-strip seam (lower) with center of the striker and weather-strip onto the vehicle.
3. After installation, pull the weather-strip gently to ensure that there is no loose section.

NOTE:

Check that the weather-strip fits tightly at each corner and trunk rear plate.

A
B
C
D
E
F
G
H
I
J
DLK
L
M
N
O
P

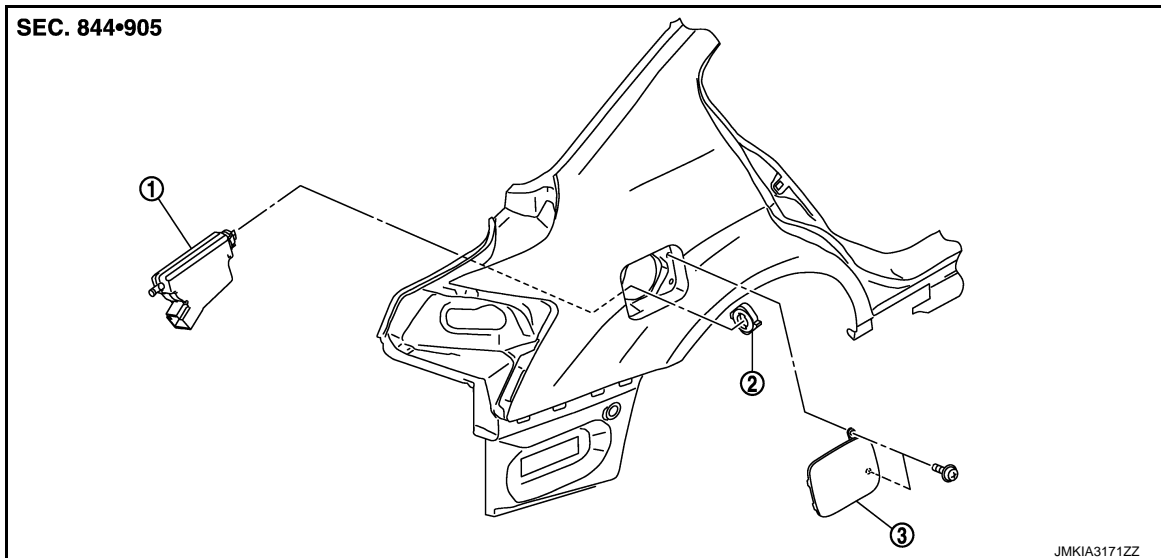
FUEL FILLER LID OPENER

< REMOVAL AND INSTALLATION >

FUEL FILLER LID OPENER

Exploded View

INFOID:000000008294031



1. Fuel filler lid opener actuator

2. Lock nut

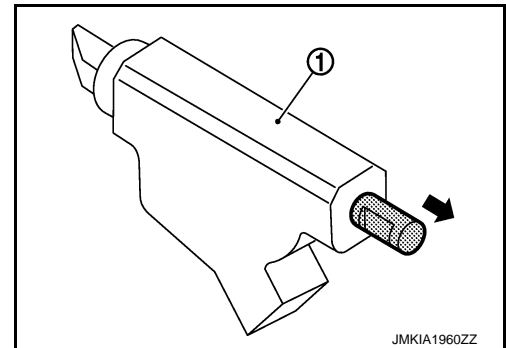
3. Fuel filler lid assembly

Removal and Installation

INFOID:000000008294032

NOTE:

When fuel filler lid opener actuator (1) is a defective operation, pull the rod to open fuel filler lid.



REMOVAL

1. Remove mounting screws, and then remove fuel filler lid.
2. Rotate lock nut counterclockwise, and then remove lock nut.
3. Push fuel filler lid opener actuator behind the vehicle.
4. Remove trunk side finisher (RH). Refer to [INT-29, "Removal and Installation"](#).
5. Disconnect harness connector and remove fuel filler lid opener actuator.

INSTALLATION

Install in the reverse order of removal.

CAUTION:

After installation, apply the touch-up paint (the body color) onto the head of the mounting screws.

DOOR SWITCH

< REMOVAL AND INSTALLATION >

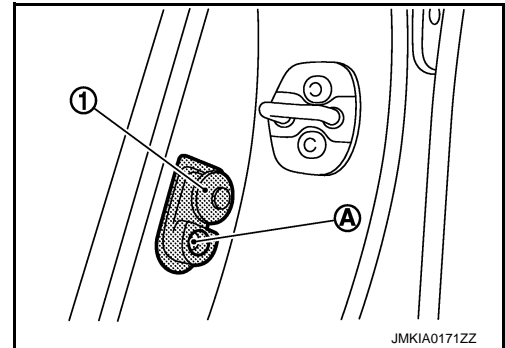
DOOR SWITCH

Removal and Installation

INFOID:000000008294033

REMOVAL

1. Remove the door switch mounting bolt (A), and then remove door switch (1).



INSTALLATION

Install in the reverse order of removal.

A
B
C
D
E
F
G
H
I
J
L
M
N
O
P

DLK

INSIDE KEY ANTENNA

< REMOVAL AND INSTALLATION >

INSIDE KEY ANTENNA INSTRUMENT CENTER

INSTRUMENT CENTER : Exploded View

INFOID:000000008294034

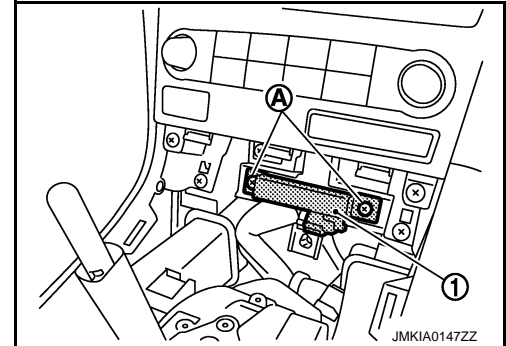
Refer to [IP-11, "A/T MODELS : Exploded View"](#).

INSTRUMENT CENTER : Removal and Installation

INFOID:000000008294035

REMOVAL

1. Remove the console finisher. Refer to [IP-12, "A/T MODELS : Removal and Installation"](#).
2. Remove the key slot mounting screw (A), and then remove inside key antenna (instrument center) (1).



INSTALLATION

Install in the reverse order of removal.

CONSOLE

CONSOLE : Exploded View

INFOID:000000008294036

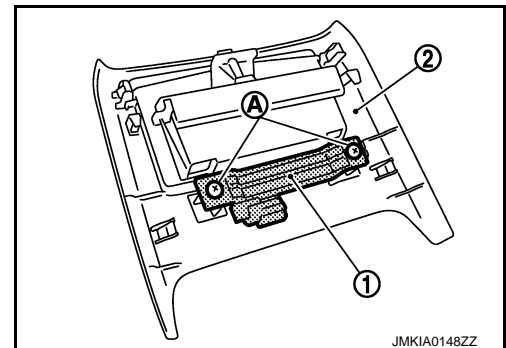
Refer to [IP-33, "A/T MODELS : Exploded View"](#).

CONSOLE : Removal and Installation

INFOID:000000008294037

REMOVAL

1. Remove the console ashtray.
2. Remove the console rear finisher (2). Refer to [IP-36, "A/T MODELS : Disassembly and Assembly"](#).
3. Remove the inside key antenna mounting screw (A), and then remove inside key antenna (console) (1) from console rear finisher (2).



INSTALLATION

Install in the reverse order of removal.

TRUNK ROOM

TRUNK ROOM : Exploded View

INFOID:000000008294038

Refer to [INT-29, "Exploded View"](#).

INSIDE KEY ANTENNA

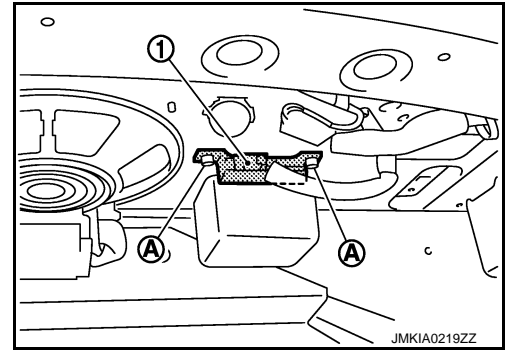
< REMOVAL AND INSTALLATION >

TRUNK ROOM : Removal and Installation

INFOID:000000008294039

REMOVAL

1. Remove the trunk trim. Refer to [INT-29, "Removal and Installation"](#).
2. Remove the inside key antenna (trunk room) mounting nuts (A), and then remove inside key antenna (trunk room) (1).



INSTALLATION

Install in the reverse order of removal.

A
B
C
D
E
F
G
H
I
J
L
M
N
O
P

DLK

OUTSIDE KEY ANTENNA

< REMOVAL AND INSTALLATION >

OUTSIDE KEY ANTENNA DRIVER SIDE

DRIVER SIDE : Exploded View

INFOID:000000008294040

Refer to [DLK-213, "FRONT DOOR LOCK : Exploded View"](#).

DRIVER SIDE : Removal and Installation

INFOID:000000008294041

REMOVAL

Remove the front outside handle LH. Refer to [DLK-213, "FRONT DOOR LOCK : Removal and Installation"](#).

INSTALLATION

Install in the reverse order of removal.

PASSENGER SIDE

PASSENGER SIDE : Exploded View

INFOID:000000008294042

Refer to [DLK-213, "FRONT DOOR LOCK : Exploded View"](#).

PASSENGER SIDE : Removal and Installation

INFOID:000000008294043

REMOVAL

Remove the front outside handle RH. Refer to [DLK-213, "FRONT DOOR LOCK : Removal and Installation"](#).

INSTALLATION

Install in the reverse order of removal.

REAR BUMPER

REAR BUMPER : Exploded View

INFOID:000000008294044

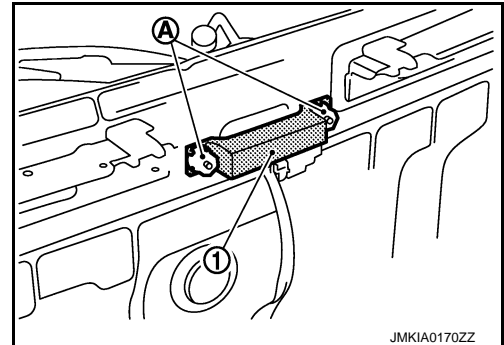
Refer to [EXT-18, "Exploded View"](#).

REAR BUMPER : Removal and Installation

INFOID:000000008294045

REMOVAL

1. Remove the rear bumper. Refer to [EXT-19, "Removal and Installation"](#).
2. Remove the outside key antenna (rear bumper) mounting nuts (A), and then remove outside key antenna (rear bumper) (1).



JMKIA0170ZZ

INSTALLATION

Install in the reverse order of removal.

INTELLIGENT KEY WARNING BUZZER

< REMOVAL AND INSTALLATION >

INTELLIGENT KEY WARNING BUZZER

Exploded View

INFOID:000000008294046

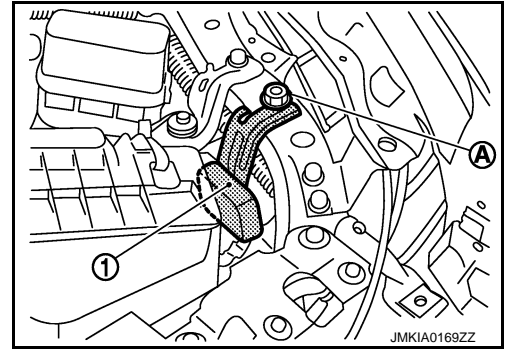
Refer to [DLK-206. "Exploded View"](#).

Removal and Installation

INFOID:000000008294047

REMOVAL

1. Remove the hood seal assembly (side). Refer to [DLK-197. "HOOD ASSEMBLY : Exploded View"](#).
2. Remove the Intelligent Key warning buzzer mounting bolt (A), and then remove the Intelligent Key warning buzzer (1).



INSTALLATION

Install in the reverse order of removal.

A
B
C
D
E
F
G
H
I
J
L
M
N
O
P

DLK

KEY SLOT

< REMOVAL AND INSTALLATION >

KEY SLOT

Exploded View

INFOID:000000008294048

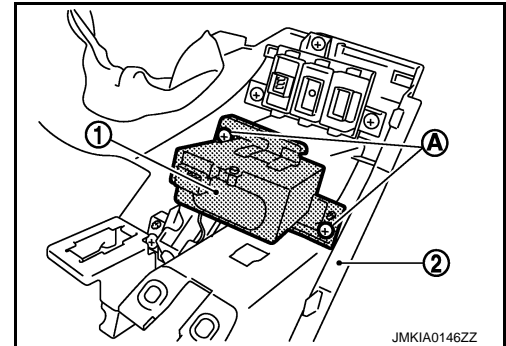
Refer to [IP-11, "A/T MODELS : Exploded View"](#).

Removal and Installation

INFOID:000000008294049

REMOVAL

1. Remove the instrument driver lower panel (2). Refer to [IP-12, "A/T MODELS : Removal and Installation"](#).
2. Disconnect key slot connector.
3. Remove the key slot mounting screw (A), and then remove key slot (1) from instrument driver lower panel (2).



INSTALLATION

Install in the reverse order of removal.

TRUNK OPENER REQUEST SWITCH

< REMOVAL AND INSTALLATION >

TRUNK OPENER REQUEST SWITCH

Exploded View

INFOID:000000008294050

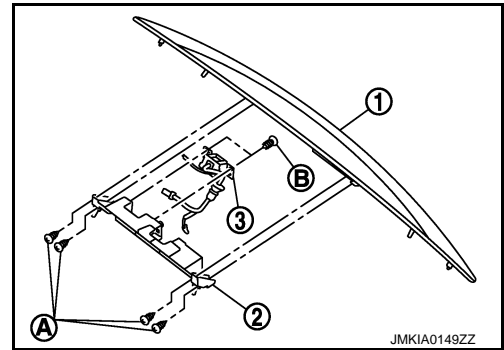
Refer to [EXT-41, "Exploded View"](#).

Removal and Installation

INFOID:000000008294051

REMOVAL

1. Remove the trunk lid finisher outer (1). Refer to [EXT-41, "Removal and Installation"](#).
2. Remove the inner bracket mounting screw (A), and then remove inner bracket (2) from trunk lid finisher outer (1).



3. Remove the trunk lid request switch mounting screw (B), and then remove trunk lid request switch (3) from inner bracket (2).

INSTALLATION

Install in the reverse order of removal.

A
B
C
D
E
F
G
H
I
J
L
M
N
O
P

DLK

TRUNK LID OPENER SWITCH

< REMOVAL AND INSTALLATION >

TRUNK LID OPENER SWITCH

Exploded View

INFOID:000000008294052

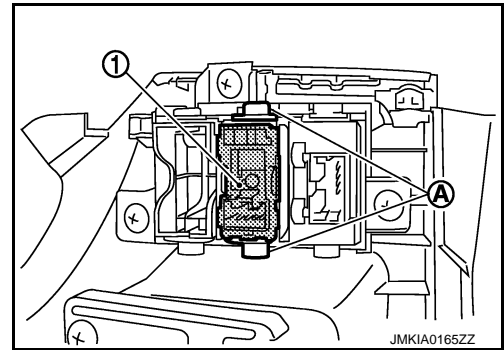
Refer to [IP-11, "A/T MODELS : Exploded View"](#).

Removal and Installation

INFOID:000000008294053

REMOVAL

1. Remove the instrument driver lower panel. Refer to [IP-12, "A/T MODELS : Removal and Installation"](#).
2. Remove the trunk lid opener switch (1) from instrument driver lower panel, and then remove pawl (A). Press trunk lid opener switch (1) front side to disengage from instrument driver lower panel.



INSTALLATION

Install in the reverse order of removal.

TRUNK LID OPENER CANCEL SWITCH

< REMOVAL AND INSTALLATION >

TRUNK LID OPENER CANCEL SWITCH

Exploded View

INFOID:000000008294054

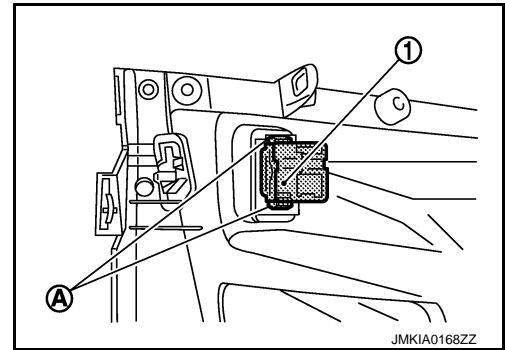
Refer to [IP-11, "A/T MODELS : Exploded View"](#).

Removal and Installation

INFOID:000000008294055

REMOVAL

1. Remove the instrument assist lower panel. Refer to [IP-12, "A/T MODELS : Removal and Installation"](#).
2. Remove the trunk lid opener cancel switch (1) instrument assist lower panel, and then remove pawl (A). Press trunk lid opener cancel switch (1) backside to disengage from instrument assist lower panel.



INSTALLATION

Install in the reverse order of removal.

A
B
C
D
E
F
G
H
I
J
L
M
N
O
P

DLK

REMOTE KEYLESS ENTRY RECEIVER

< REMOVAL AND INSTALLATION >

REMOTE KEYLESS ENTRY RECEIVER

Exploded View

INFOID:000000008294056

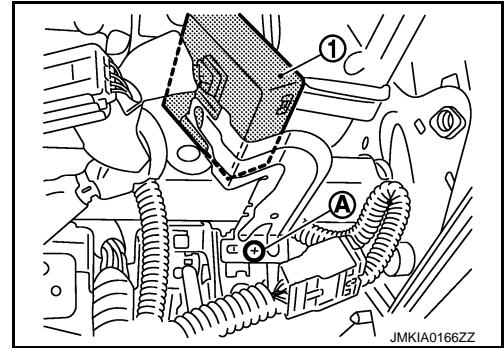
Refer to [IP-11, "A/T MODELS : Exploded View"](#).

Removal and Installation

INFOID:000000008294057

REMOVAL

1. Remove the instrument assist lower panel. Refer to [IP-12, "A/T MODELS : Removal and Installation"](#).
2. Remove the remote keyless entry receiver mounting bolt (A), and then remove remote keyless entry receiver (1).



INSTALLATION

Install in the reverse order of removal.