

SECTION IP
INSTRUMENT PANEL

A
B
C
D
E
F
G
H
I
IP
K
L
M
N
O
P

CONTENTS

PRECAUTION	2	REMOVAL AND INSTALLATION	11
PRECAUTIONS	2	INSTRUMENT PANEL ASSEMBLY	11
Precaution for Supplemental Restraint System (SRS) "AIR BAG" and "SEAT BELT PRE-TENSIONER"	2	A/T MODELS	11
Precaution	2	A/T MODELS : Exploded View	11
PREPARATION	3	A/T MODELS : Removal and Installation	12
PREPARATION	3	M/T MODELS	21
Special Service Tools	3	M/T MODELS : Exploded View	22
Commercial Service Tools	3	M/T MODELS : Removal and Installation	23
CLIP LIST	4	CENTER CONSOLE ASSEMBLY	33
Clip List	4	A/T MODELS	33
SYMPTOM DIAGNOSIS	5	A/T MODELS : Exploded View	33
SQUEAK AND RATTLE TROUBLE DIAGNOSES	5	A/T MODELS : Removal and Installation	34
Work Flow	5	A/T MODELS : Disassembly and Assembly	36
Inspection Procedure	7	M/T MODELS	38
Diagnostic Worksheet	9	M/T MODELS : Exploded View	38
		M/T MODELS : Removal and Installation	39
		M/T MODELS : Disassembly and Assembly	41

PRECAUTIONS

< PRECAUTION >

PRECAUTION

PRECAUTIONS

Precaution for Supplemental Restraint System (SRS) "AIR BAG" and "SEAT BELT PRE-TENSIONER"

INFOID:000000008294221

The Supplemental Restraint System such as "AIR BAG" and "SEAT BELT PRE-TENSIONER", used along with a front seat belt, helps to reduce the risk or severity of injury to the driver and front passenger for certain types of collision. This system includes seat belt switch inputs and dual stage front air bag modules. The SRS system uses the seat belt switches to determine the front air bag deployment, and may only deploy one front air bag, depending on the severity of a collision and whether the front occupants are belted or unbelted. Information necessary to service the system safely is included in the "SRS AIR BAG" and "SEAT BELT" of this Service Manual.

WARNING:

Always observe the following items for preventing accidental activation.

- **To avoid rendering the SRS inoperative, which could increase the risk of personal injury or death in the event of a collision that would result in air bag inflation, all maintenance must be performed by an authorized NISSAN/INFINITI dealer.**
- **Improper maintenance, including incorrect removal and installation of the SRS, can lead to personal injury caused by unintentional activation of the system. For removal of Spiral Cable and Air Bag Module, see "SRS AIR BAG".**
- **Never use electrical test equipment on any circuit related to the SRS unless instructed to in this Service Manual. SRS wiring harnesses can be identified by yellow and/or orange harnesses or harness connectors.**

PRECAUTIONS WHEN USING POWER TOOLS (AIR OR ELECTRIC) AND HAMMERS

WARNING:

Always observe the following items for preventing accidental activation.

- **When working near the Air Bag Diagnosis Sensor Unit or other Air Bag System sensors with the ignition ON or engine running, never use air or electric power tools or strike near the sensor(s) with a hammer. Heavy vibration could activate the sensor(s) and deploy the air bag(s), possibly causing serious injury.**
- **When using air or electric power tools or hammers, always switch the ignition OFF, disconnect the battery, and wait at least 3 minutes before performing any service.**

Precaution

INFOID:000000008294222

- Disconnect both battery cables in advance.
- Disconnect air bag system line in advance.
- Never tamper with or force air bag lid open, as this may adversely affect air bag performance.
- Be careful not to scratch pad and other parts.
- When removing or disassembling any part, be careful not to damage or deform it. Protect parts, which may get in the way with cloth.
- When removing parts with a screwdriver or other tool, protect parts by wrapping them with vinyl or tape.
- Keep removed parts protected with cloth.
- If a clip is deformed or damaged, replace it.
- If an un reusable part is removed, replace it with a new one.
- Tighten bolts and nuts firmly to the specified torque.
- After re-assembly has been completed, make sure each part functions correctly.
- Remove stains in the following way.

Water-soluble stains:

Dip a soft cloth in warm water, and then squeeze it tightly. After wiping the stain, wipe with a soft dry cloth.

Oil stain:

Dissolve a synthetic detergent in warm water (density of 2 to 3% or less), dip the cloth, then clean off the stain with the cloth. Next, dip the cloth in fresh water and squeeze it tightly. Then clean off the detergent completely. Then wipe the area with a soft dry cloth.

- Never use any organic solvent, such as thinner or benzine.

PREPARATION

< PREPARATION >

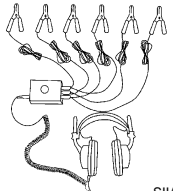
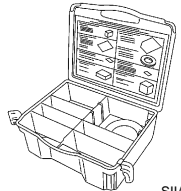
PREPARATION

PREPARATION

Special Service Tools

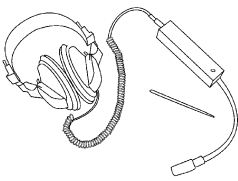
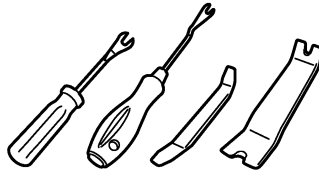
INFOID:000000008294223

The actual shapes of Kent-Moore tools may differ from those of special service tools illustrated here.

Tool number (Kent-Moore No.) Tool name	Description
<p>(J-39570) Chassis ear</p>  <p>SIIA0993E</p>	<p>Locates the noise</p>
<p>(J-43980) NISSAN Squeak and Rattle Kit</p>  <p>SIIA0994E</p>	<p>Repairs the cause of noise</p>

Commercial Service Tools

INFOID:000000008294224

Tool name	Description
<p>Engine ear</p>  <p>SIIA0995E</p>	<p>Locates the noise</p>
<p>Remover tool</p>  <p>JMKIA3050ZZ</p>	<p>Removes clips, pawls, and metal clips</p>

CLIP LIST

< PREPARATION >

CLIP LIST

Clip List

INFOID:000000008294225

Shapes	Removal & Installation	Shapes	Removal & Installation
	<p>Removal: Remove by bending up with flat-bladed screwdrivers or clip remover.</p>		<p>Removal:</p>
	<p>Removal: Remove with a clip remover.</p>		<p>Removal:</p>
	<p>Removal: Push center pin to catching position. (Do not remove center pin by hitting it.)</p> <p>Installation:</p>		<p>Removal: Holder portion of clip must be spread out to remove rod.</p>
	<p>Removal: Remove by bending up with flat-bladed screwdrivers or clip remover.</p>		<p>Removal:</p> <ol style="list-style-type: none"> Screw out with a Phillips screwdriver. Remove female portion with flat-bladed screwdriver.
	<p>Removal:</p>		<p>Removal:</p> <p>Rotate 45° to remove.</p> <p>Installation:</p>
	<p>Removal:</p>		<p>Removal:</p>

JMJIA3734GB

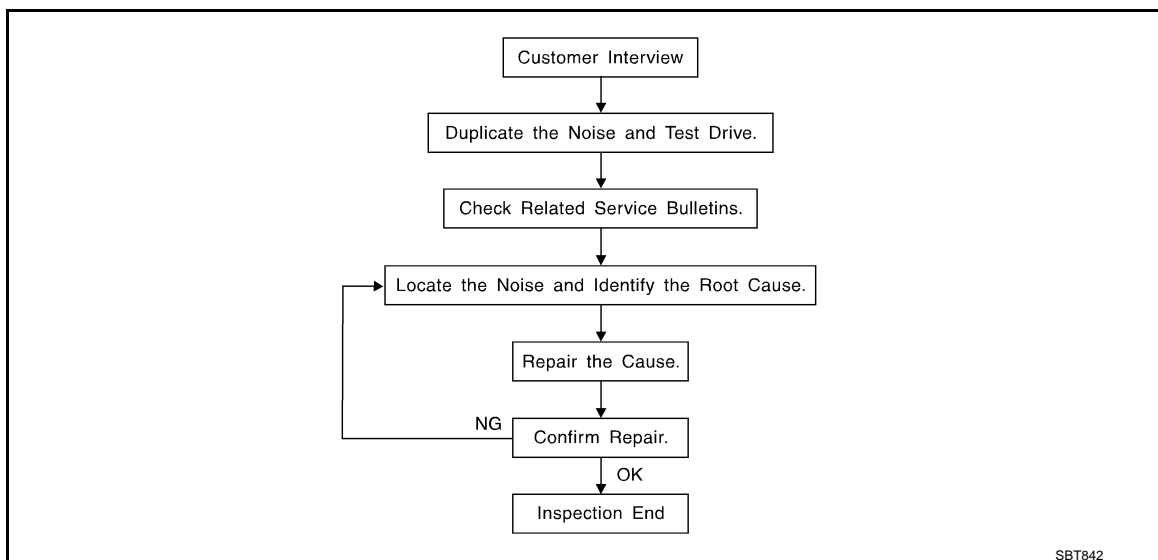
SQUEAK AND RATTLE TROUBLE DIAGNOSES

< SYMPTOM DIAGNOSIS >

SYMPTOM DIAGNOSIS

SQUEAK AND RATTLE TROUBLE DIAGNOSES

Work Flow



CUSTOMER INTERVIEW

Interview the customer if possible, to determine the conditions that exist when the noise occurs. Use the Diagnostic Worksheet during the interview to document the facts and conditions when the noise occurs and any of customer's comments; refer to [IP-9, "Diagnostic Worksheet"](#). This information is necessary to duplicate the conditions that exist when the noise occurs.

- The customer may not be able to provide a detailed description or the location of the noise. Attempt to obtain all the facts and conditions that exist when the noise occurs (or does not occur).
- If there is more than one noise in the vehicle, perform a diagnosis and repair the noise that the customer is concerned about. This can be accomplished by performing a cruise test on the vehicle with the customer.
- After identifying the type of noise, isolate the noise in terms of its characteristics. The noise characteristics are provided so the customer, service adviser and technician are all speaking the same language when defining the noise.
- Squeak – (Like tennis shoes on a clean floor)
Squeak characteristics include the light contact/fast movement/brought on by road conditions/hard surfaces = higher pitch noise/softer surfaces = lower pitch noises/edge to surface = chirping
- Creak – (Like walking on an old wooden floor)
Creak characteristics include firm contact/slow movement/twisting with a rotational movement/pitch dependent on materials/often brought on by activity.
- Rattle – (Like shaking a baby rattle)
Rattle characteristics include the fast repeated contact/vibration or similar movement/loose parts/missing clip or fastener/incorrect clearance.
- Knock – (Like a knock on a door)
Knock characteristics include hollow sounding/sometimes repeating/often brought on by driver action.
- Tick – (Like a clock second hand)
Tick characteristics include gentle contacting of light materials/loose components/can be caused by driver action or road conditions.
- Thump – (Heavy, muffled knock noise)
Thump characteristics include softer knock/dead sound often brought on by activity.
- Buzz – (Like a bumblebee)
Buzz characteristics include high frequency rattle/firm contact.
- Often the degree of acceptable noise level will vary depending up on the person. A noise that a technician may judge as acceptable may be very irritating to the customer.
- Weather conditions, especially humidity and temperature, may have a great effect on noise level.

DUPLICATE THE NOISE AND TEST DRIVE

SQUEAK AND RATTLE TROUBLE DIAGNOSES

< SYMPTOM DIAGNOSIS >

If possible, drive the vehicle with the customer until the noise is duplicated. Note any additional information on the Diagnostic Worksheet regarding the conditions or location of the noise. This information can be used to duplicate the same conditions when the repair is reconfirmed.

If the noise can be duplicated easily during the test drive, to help identify the source of the noise, try to duplicate the noise with the vehicle stopped by doing one or all of the following:

- 1) Close a door.
 - 2) Tap or push/pull around the area where the noise appears to be coming from.
 - 3) Rev the engine.
 - 4) Use a floor jack to recreate vehicle "twist".
 - 5) At idle, apply engine load (electrical load, half-clutch on M/T models, drive position on A/T models).
 - 6) Raise the vehicle on a hoist and hit a tire with a rubber hammer.
- Drive the vehicle and attempt to duplicate the conditions the customer states exist when the noise occurs.
 - If it is difficult to duplicate the noise, drive the vehicle slowly on an undulating or rough road to stress the vehicle body.

CHECK RELATED SERVICE BULLETINS

After verifying the customer concern or symptom, check ASIST for Technical Service Bulletins (TSBs) related to that concern or symptom.

If a TSB relates to the symptom, follow the procedure to repair the noise.

LOCATE THE NOISE AND IDENTIFY THE ROOT CAUSE

1. Narrow down the noise to a general area. To help pinpoint the source of the noise, use a listening tool (Chassis ear: J-39570, Engine ear and mechanics stethoscope).
2. Narrow down the noise to a more specific area and identify the cause of the noise by:
 - Removing the components in the area that is are suspected to be the cause of the noise.
Do not use too much force when removing clips and fasteners, otherwise clips and fastener can be broken or lost during the repair, resulting in the creation of new noise.
 - Tapping or pushing/pulling the component that is are suspected to be the cause of the noise.
Do not tap or push/pull the component with excessive force, otherwise the noise will be eliminated only temporarily.
 - Feeling for a vibration by hand by touching the component(s) that is are suspected to be the cause of the noise.
 - Placing a piece of paper between components that are suspected to be the cause of the noise.
 - Looking for loose components and contact marks.
Refer to [IP-7, "Inspection Procedure"](#).

REPAIR THE CAUSE

- If the cause is a loose component, tighten the component securely.
- If the cause is insufficient clearance between components:
 - Separate components by repositioning or loosening and retightening the component, if possible.
 - Insulate components with a suitable insulator such as urethane pads, foam blocks, felt cloth tape or urethane tape. A Nissan Squeak and Rattle Kit (J-43980) is available through the authorized Nissan Parts Department.

CAUTION:

Never use excessive force as many components are constructed of plastic and may be damaged.

NOTE:

Always check with the Parts Department for the latest parts information.

The following materials are contained in the Nissan Squeak and Rattle Kit (J-43980). Each item can be ordered separately as needed.

URETHANE PADS [1.5 mm (0.059 in) thick]

Insulates connectors, harness, etc.

- 76268-9E005: 100 × 135 mm (3.937 × 5.315 in)
- 76884-71L01: 60 × 85 mm (2.362 × 3.346 in)
- 76884-71L02: 15 × 25 mm (0.591 × 0.984 in)

INSULATOR (Foam blocks)

Insulates components from contact. Can be used to fill space behind a panel.

- 73982-9E000: 45 mm (1.772 in) thick, 50 × 50 mm (1.969 × 1.969 in)
- 73982-50Y00: 10 mm (0.394 in) thick, 50 × 50 mm (1.969 × 1.969 in)

INSULATOR (Light foam block)

80845-71L00: 30 mm (1.18 in) thick, 30 × 50 mm (1.181 × 1.969in)

FELT CLOTHTAPE

SQUEAK AND RATTLE TROUBLE DIAGNOSES

< SYMPTOM DIAGNOSIS >

Used to insulate where movement does not occur. Ideal for instrument panel applications.

- 68370-4B000: 15 × 25 mm (0.591 × 0.984 in) pad
- 68239-13E00: 5 mm (0.197 in) wide tape roll

The following materials, not found in the kit, can also be used to repair squeaks and rattles.

UHMW (TEFLON) TAPE

Insulates where slight movement is present. Ideal for instrument panel applications.

SILICONE GREASE

Used in place of UHMW tape that is be visible or does not fit. Will only last a few months.

SILICONE SPRAY

Used when grease cannot be applied.

DUCT TAPE

Used to eliminate movement.

CONFIRM THE REPAIR

Confirm that the cause of a noise is repaired by test driving the vehicle. Operate the vehicle under the same conditions as when the noise originally occurred. Refer to the notes on the Diagnostic Worksheet.

Inspection Procedure

INFOID:000000008294227

Refer to Table of Contents for specific component removal and installation information.

INSTRUMENT PANEL

Most incidents are caused by contact and movement between:

1. The cluster lid A and instrument panel
2. Acrylic lens and combination meter housing
3. Instrument panel to front pillar garnish
4. Instrument panel to windshield
5. Instrument panel mounting pins
6. Wiring harnesses behind the combination meter
7. A/C defroster duct and duct joint

These incidents can usually be located by tapping or moving the components to duplicate the noise or by pressing on the components while driving to stop the noise. Most of these incidents can be repaired by applying felt cloth tape or silicon spray (in hard to reach areas). Urethane pads can be used to insulate wiring harness.

CAUTION:

Never use silicone spray to isolate a squeak or rattle. If the area is saturated with silicone, the recheck of repair becomes impossible.

CENTER CONSOLE

Components to pay attention to include:

1. Shifter assembly cover to finisher
2. A/C control unit and cluster lid C
3. Wiring harnesses behind audio and A/C control unit

The instrument panel repair and isolation procedures also apply to the center console.

DOORS

Pay attention to the following:

1. Finisher and inner panel making a slapping noise
2. Inside handle escutcheon to door finisher
3. Wiring harnesses tapping
4. Door striker out of alignment causing a popping noise on starts and stops

Tapping or moving the components or pressing on them while driving to duplicate the conditions can isolate many of these incidents. The areas can usually be insulated with felt cloth tape or insulator foam blocks from the Nissan Squeak and Rattle Kit (J-43980) to repair the noise.

TRUNK

Trunk noises are often caused by a loose jack or loose items put into the trunk by the customer.

In addition look for the following:

1. Trunk lid dumpers out of adjustment

SQUEAK AND RATTLE TROUBLE DIAGNOSES

< SYMPTOM DIAGNOSIS >

2. Trunk lid striker out of adjustment
3. The trunk lid torsion bars knocking together
4. A loose license plate or bracket

Most of these incidents can be repaired by adjusting, securing or insulating the item(s) or component(s) causing the noise.

SUNROOF/HEADLINING

Noises in the sunroof/headlining area can often be traced to one of the following:

1. Sunroof lid, rail, linkage or seals making a rattle or light knocking noise
2. Sunvisor shaft shaking in the holder
3. Front or rear windshield touching headlining and squeaking

Again, pressing on the components to stop the noise while duplicating the conditions can isolate most of these incidents. Repairs usually consist of insulating with felt cloth tape.

SEATS

When isolating seat noise it's important to note the position the seats in and the load placed on the seat when the noise occurs. These conditions should be duplicated when verifying and isolating the cause of the noise.

Cause of seat noise include:

1. Headrest rods and holder
2. A squeak between the seat pad cushion and frame
3. The rear seatback lock and bracket

These noises can be isolated by moving or pressing on the suspected components while duplicating the conditions under which the noise occurs. Most of these incidents can be repaired by repositioning the component or applying urethane tape to the contact area.

UNDERHOOD

Some interior noise may be caused by components under the hood or on the engine wall. The noise is then transmitted into the passenger compartment.

Causes of transmitted underhood noise include:

1. Any component mounted to the engine wall
2. Components that pass through the engine wall
3. Engine wall mounts and connectors
4. Loose radiator mounting pins
5. Hood bumpers out of adjustment
6. Hood striker out of adjustment

These noises can be difficult to isolate since they cannot be reached from the interior of the vehicle. The best method is to secure, move or insulate one component at a time and test drive the vehicle. Also, engine RPM or load can be changed to isolate the noise. Repairs can usually be made by moving, adjusting, securing, or insulating the component causing the noise.

SQUEAK AND RATTLE TROUBLE DIAGNOSES

< SYMPTOM DIAGNOSIS >

Diagnostic Worksheet

INFOID:000000008294228



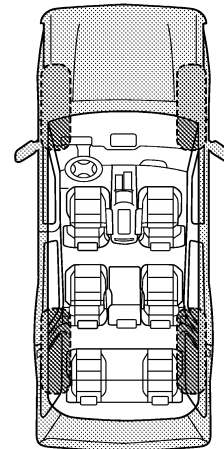
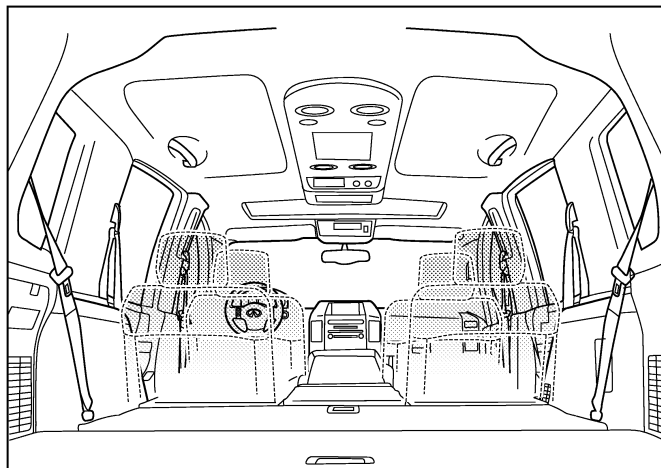
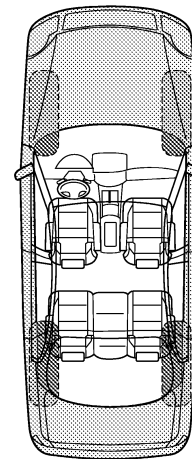
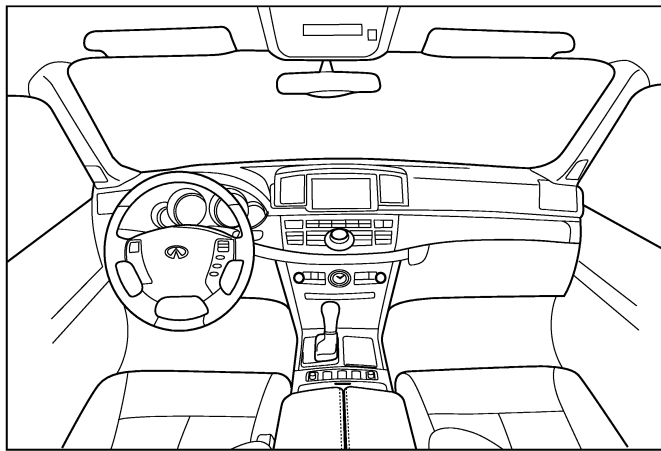
SQUEAK & RATTLE DIAGNOSTIC WORKSHEET

Dear Infiniti Customer:

We are concerned about your satisfaction with your Infiniti vehicle. Repairing a squeak or rattle sometimes can be very difficult. To help us fix your Infiniti right the first time, please take a moment to note the area of the vehicle where the squeak or rattle occurs and under what conditions. You may be asked to take a test drive with a service consultant or technician to ensure we confirm the noise you are hearing.

I. WHERE DOES THE NOISE COME FROM? (circle the area of the vehicle)

The illustrations are for reference only, and may not reflect the actual configuration of your vehicle.



Continue to page 2 of the worksheet and briefly describe the location of the noise or rattle. In addition, please indicate the conditions which are present when the noise occurs.

PIIB8741E

A
B
C
D
E
F
G
H
I
IP
K
L
M
N
O
P

SQUEAK AND RATTLE TROUBLE DIAGNOSES

< SYMPTOM DIAGNOSIS >

SQUEAK & RATTLE DIAGNOSTIC WORKSHEET - page 2

Briefly describe the location where the noise occurs:

II. WHEN DOES IT OCCUR? (please check the boxes that apply)

- | | |
|---|--|
| <input type="checkbox"/> anytime | <input type="checkbox"/> after sitting out in the rain |
| <input type="checkbox"/> 1st time in the morning | <input type="checkbox"/> when it is raining or wet |
| <input type="checkbox"/> only when it is cold outside | <input type="checkbox"/> dry or dusty conditions |
| <input type="checkbox"/> only when it is hot outside | <input type="checkbox"/> other: |

III. WHEN DRIVING:

- through driveways
- over rough roads
- over speed bumps
- only about ____ mph
- on acceleration
- coming to a stop
- on turns: left, right or either (circle)
- with passengers or cargo
- other: _____
- after driving ____ miles or ____ minutes

IV. WHAT TYPE OF NOISE

- squeak (like tennis shoes on a clean floor)
- creak (like walking on an old wooden floor)
- rattle (like shaking a baby rattle)
- knock (like a knock at the door)
- tick (like a clock second hand)
- thump (heavy, muffled knock noise)
- buzz (like a bumble bee)

TO BE COMPLETED BY DEALERSHIP PERSONNEL

Test Drive Notes:

	YES	NO	Initials of person performing
Vehicle test driven with customer	<input type="checkbox"/>	<input type="checkbox"/>	_____
- Noise verified on test drive	<input type="checkbox"/>	<input type="checkbox"/>	_____
- Noise source located and repaired	<input type="checkbox"/>	<input type="checkbox"/>	_____
- Follow up test drive performed to confirm repair	<input type="checkbox"/>	<input type="checkbox"/>	_____

VIN: _____ Customer Name: _____
W.O.# _____ Date: _____

This form must be attached to Work Order

PIIB8742E

INSTRUMENT PANEL ASSEMBLY

< REMOVAL AND INSTALLATION >

REMOVAL AND INSTALLATION

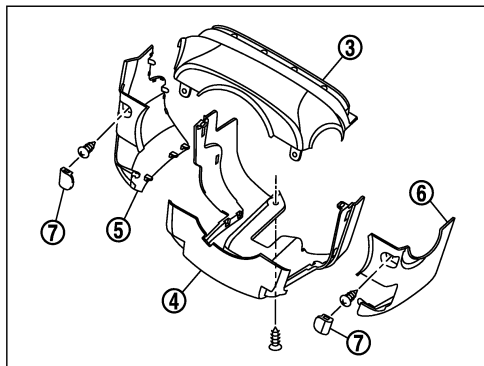
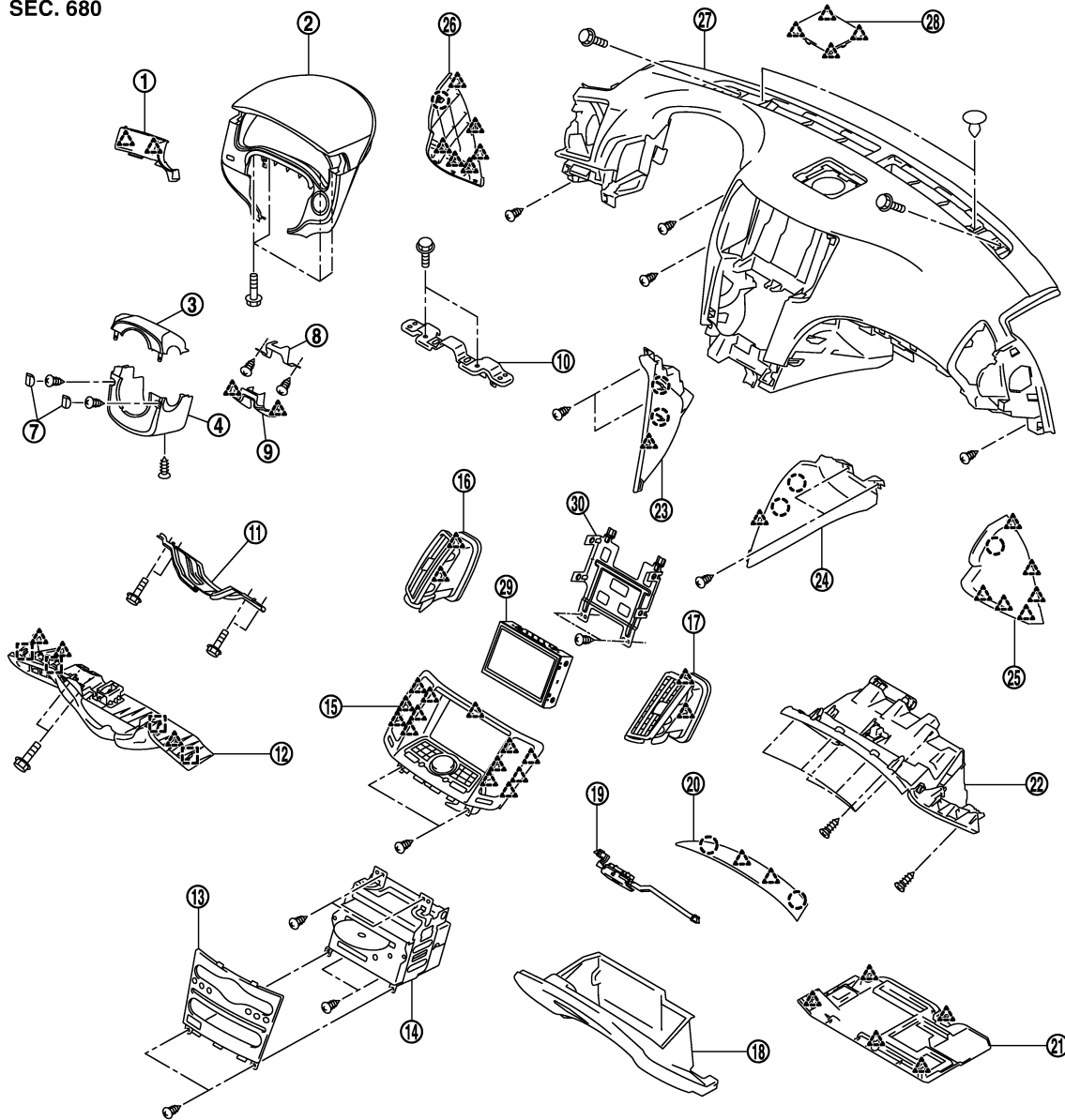
INSTRUMENT PANEL ASSEMBLY

A/T MODELS

A/T MODELS : Exploded View

INFOID:000000008294229

SEC. 680



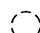
A
B
C
D
E
F
G
H
I
IP
K
L
M
N
O
P

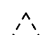
JMJIA0343ZZ

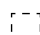
INSTRUMENT PANEL ASSEMBLY

< REMOVAL AND INSTALLATION >

- | | | |
|---------------------------------|--------------------------------------|--------------------------------------|
| 1. Instrument finisher A | 2. Cluster lid A (Combination meter) | 3. Steering column cover upper |
| 4. Steering column cover lower | 5. Steering column side cover LH | 6. Steering column side cover RH |
| 7. Steering column mask | 8. Cluster lid A lower bracket | 9. Steering column front lower cover |
| 10. Meter bracket | 11. Knee protector | 12. Instrument lower panel LH |
| 13. Cluster lid C | 14. AV control unit | 15. Cluster lid D |
| 16. Center ventilator grille LH | 17. Center ventilator grille RH | 18. Glove box assembly |
| 19. Glove box lock assembly | 20. Instrument finisher B | 21. Instrument lower cover |
| 22. Instrument lower panel RH | 23. Instrument side panel LH | 24. Instrument side panel RH |
| 25. Instrument side finisher RH | 26. Instrument side finisher LH | 27. Instrument panel assembly |
| 28. Center speaker grille | 29. Display unit | 30. Display unit bracket |

 : Clip

 : Pawl

 : Metal clip

A/T MODELS : Removal and Installation

INFOID:000000008294230

WORK STEP

When removing instrument panel assembly, combination meter, AV control unit, center console assembly take steps in the order shown by the number below.

PARTS	INSTRUMENT PANEL ASSEMBLY	COMBINATION METER	AV CONTROL UNIT	CENTER CONSOLE ASSEMBLY
Selector lever Knob	[1]		[1]	[1]
Instrument finisher E	[2]		[2]	[2]
Console finisher assembly	[3]		[3]	[3]
Console center finisher	[4]			[4]
Console rear finisher	[5]			[5]
Rear ventilator duct 2	[6]			[6]
Center console assembly	[7]			[7]
Cluster lid C	[8]		[4]	
Cluster lid D	[9]		[5]	
Display unit	[10]		[6]	
AV control unit	[11]		[7]	
Front body side welt LH	[12]			
Front pillar garnish LH	[13]			
Instrument side finisher LH	[14]			
Instrument lower panel LH	[15]			
Instrument finisher A	[16]			
Instrument side panel LH	[17]			
Driver air bag module	[18]	[1]		
Steering wheel assembly	[19]	[2]		
Steering column cover	[20]	[3]		
Spiral cable and steering angle sensor	[21]			
Combination switch	[22]	[4]		
Paddle switch	[23]	[5]		
Cluster lid A (Combination meter)	[24]	[6]		
Meter bracket	[25]			

INSTRUMENT PANEL ASSEMBLY

< REMOVAL AND INSTALLATION >

Front defroster grille (LH/RH)	[26]			
Front body side welt RH	[27]			
Front pillar garnish RH	[28]			
Instrument side finisher RH	[29]			
Instrument lower cover	[30]			
Glove box assembly	[31]			
Instrument lower panel RH	[32]			
Instrument finisher B	[33]			
Instrument side panel RH	[34]			
Instrument panel assembly	[35]			

[]: Number indicates step in removal procedures.


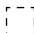
CAUTION:

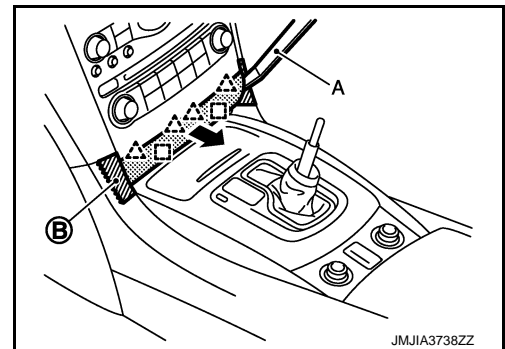
When removing, always use a remover tool that is made of plastic.

REMOVAL

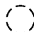
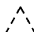
- Remove selector lever knob.
 - 2WD models: Refer to [TM-270, "2WD : Exploded View"](#).
 - AWD models: Refer to [TM-272, "AWD : Exploded View"](#).
- Remove instrument finisher E.
 - Insert a remover tool (A) between instrument panel assembly and instrument finisher E, and then disengage pawls and metal clips.
 - Pull back instrument finisher E.

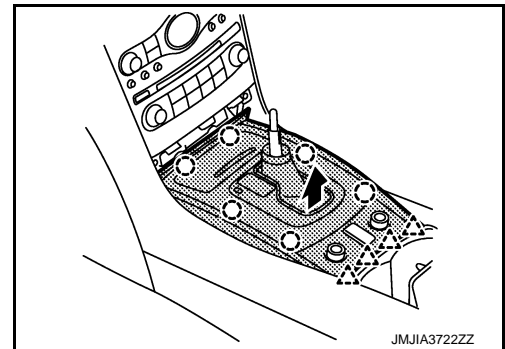
CAUTION:
Apply protective tape (B) on the part to protect from damage.

-  : Pawl
 : Metal clip




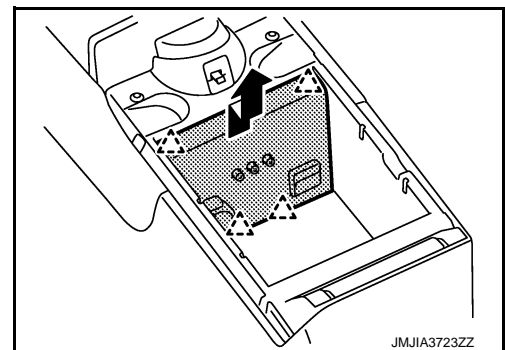
- Remove console finisher assembly.
 - Remove pawls from rear of console finisher assembly, and then remove clips of front.
 - Pull console finisher assembly upward to disengage from center console assembly.
 - Disconnect harness connectors.

-  : Clip
 : Pawl



- Remove console center finisher.
 - Pull up console center finisher, and disengage pawls.
 - Disconnect harness connectors.

-  : Pawl

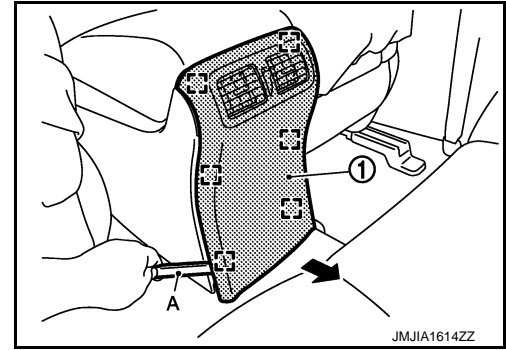


INSTRUMENT PANEL ASSEMBLY

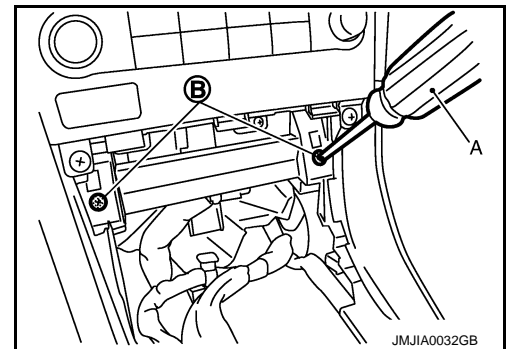
< REMOVAL AND INSTALLATION >

5. Remove console rear finisher.
 - Pull back the console rear finisher (1).
 - Disconnect inside key antenna connector (A).

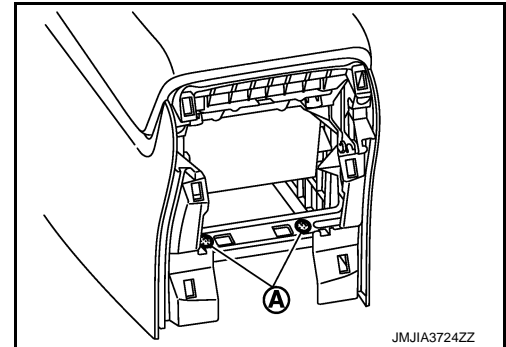
 : Metal clip



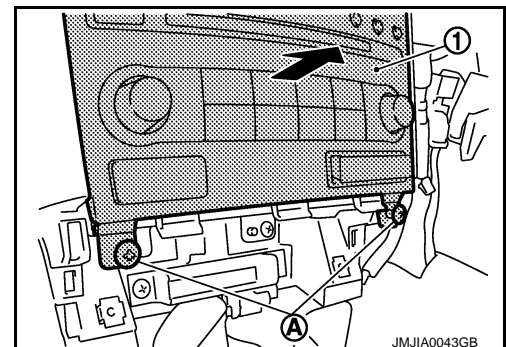
6. Remove rear ventilator duct 2. Refer to [VTL-12. "REAR VENTILATOR DUCT 2 : Removal and Installation"](#).
7. Remove center console assembly.
 - Remove screws (B) of center console assembly front side with screw driver (A).



- Remove center console assembly fixing screws (A).



- Lift up center console assembly back side.
 - Disconnect harness connectors.
8. Remove cluster lid C.
 - Remove cluster lid C fixing screws (A).
 - Pull back cluster lid C (1).
 - Disconnect harness connectors.




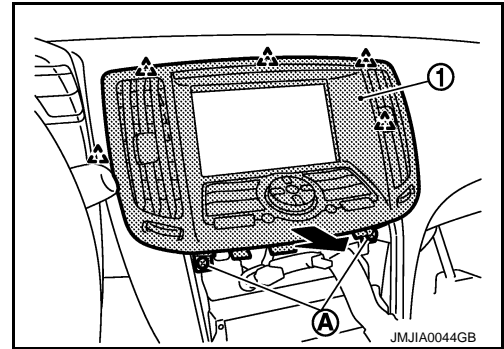
9. Remove cluster lid D.

INSTRUMENT PANEL ASSEMBLY



< REMOVAL AND INSTALLATION >

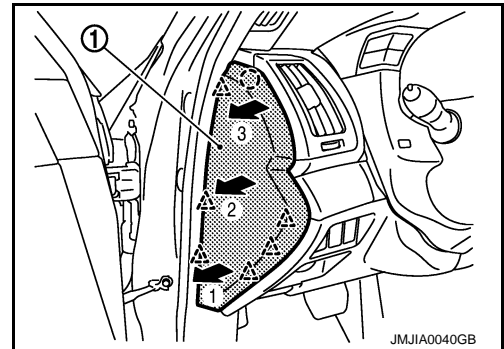
- Remove cluster lid D fixing screws (A).
- Pull back cluster lid D (1).
- Disconnect harness connectors.

 : Pawl


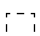


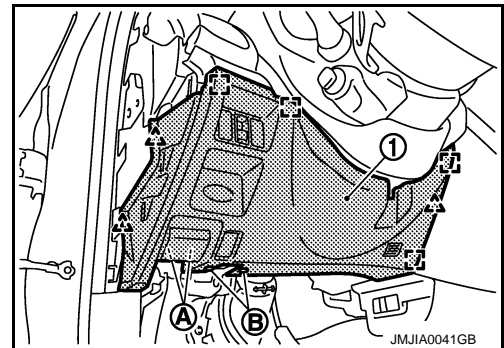
10. Remove display unit. Refer to [AV-430, "Removal and Installation"](#).
11. Remove AV control unit. Refer to [AV-75, "Removal and Installation"](#).
12. Remove front body side welt LH. Refer to [INT-14, "Removal and Installation"](#).
13. Remove front pillar garnish LH. Refer to [INT-14, "Removal and Installation"](#).
14. Remove instrument side finisher LH.
 - Insert a remover tool into lower space.
 - Pull the instrument side finisher LH (1) crosswise.

 : Clip
 : Pawl




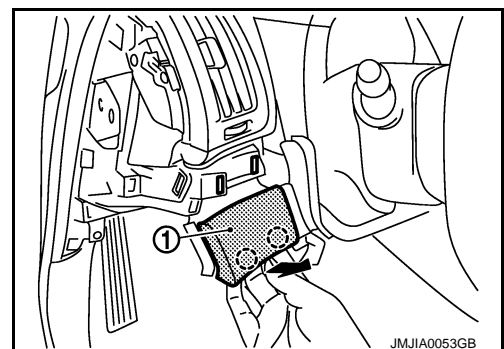
15. Remove instrument lower panel LH.
 - Remove hood opener mounting bolts (A). Refer to [DLK-200, "HOOD LOCK CONTROL : Removal and Installation"](#).
 - Remove data link connector fixing screws (B).
 - Pull back instrument lower panel LH (1).
 - Disconnect harness connectors.

 : Pawl
 : Metal clip



16. Remove instrument finisher A.
 Pull instrument finisher A (1) upward, and then disengage clips.

 : Clip



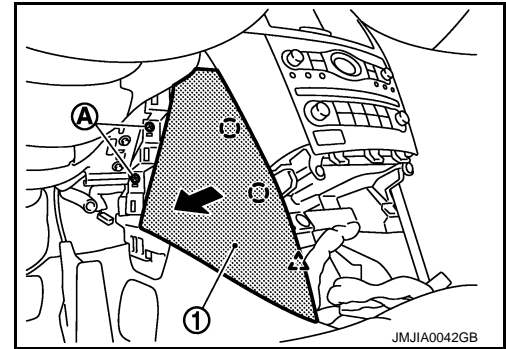
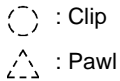
17. Remove instrument side panel LH.

A
B
C
D
E
F
G
H
I
IP
K
L
M
N
O
P

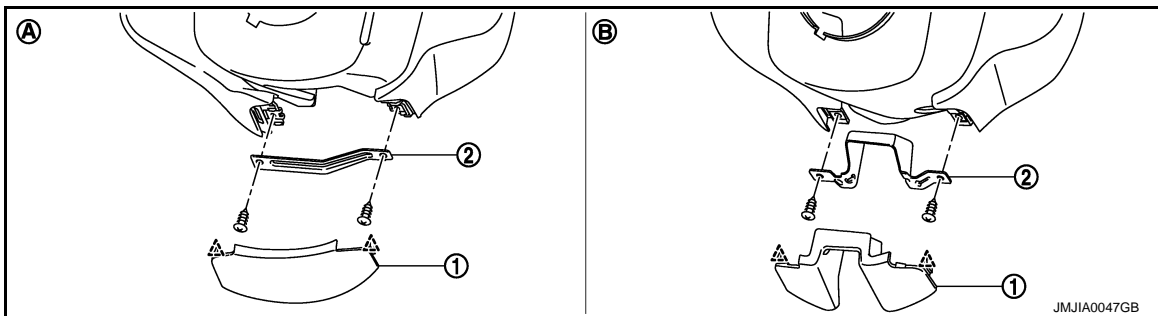
INSTRUMENT PANEL ASSEMBLY

< REMOVAL AND INSTALLATION >

- Remove instrument side panel fixing screws (A).
- Pull the instrument side panel LH (1) crosswise.



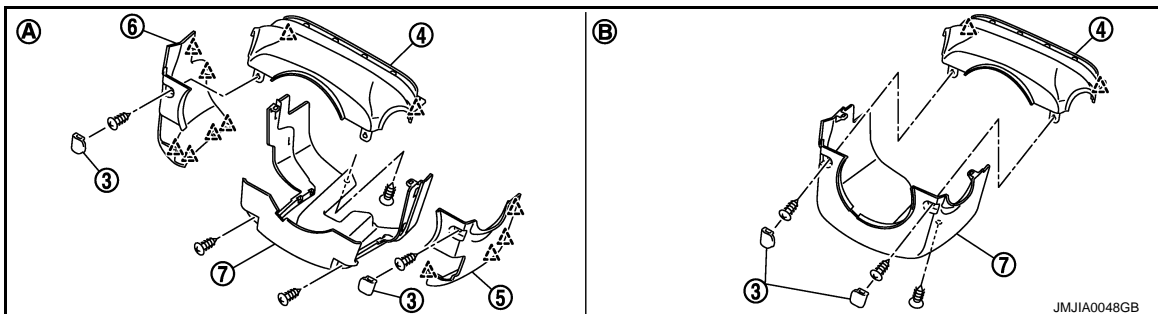
18. Remove driver air bag module. Refer to [SR-10. "Removal and Installation"](#).
19. Remove steering wheel. Refer to [ST-17. "Exploded View"](#).
20. Remove steering column covers.



(A) Column cover (with electric column)

(B) Column cover (with manual column)

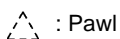
- Remove steering column front lower cover (1).
- Remove cluster lid A lower bracket (2).



(A) Column cover (with PADDLE SHIFTER)

(B) Column cover (without PADDLE SHIFTER)

- Remove steering column mask (3) and screws.
- Pull up steering column cover upper (4).
- Remove steering column side cover RH (5). (with PADDLE SHIFTER)
- Pull the steering column side cover LH (6) to the left side. (with PADDLE SHIFTER)
- Disconnect ADP steering switch connector. (with ADP)
- Remove steering column side cover LH (6).
- Remove screws, and then remove steering column lower cover (7).

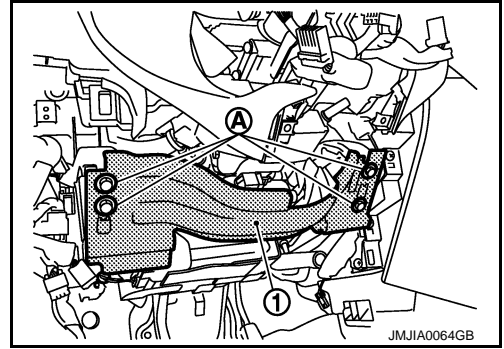


21. Remove spiral cable and steering angle sensor. Refer to [SR-13. "Removal and Installation"](#).
22. Remove combination switch. Refer to [BCS-82. "Exploded View"](#).
23. Remove paddle switch LH/RH. (with PADDLE SHIFTER) Refer to [TM-276. "Exploded View"](#).
24. Remove cluster lid A (Combination meter).

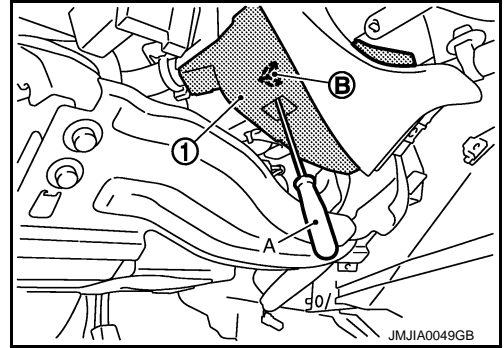
INSTRUMENT PANEL ASSEMBLY

< REMOVAL AND INSTALLATION >

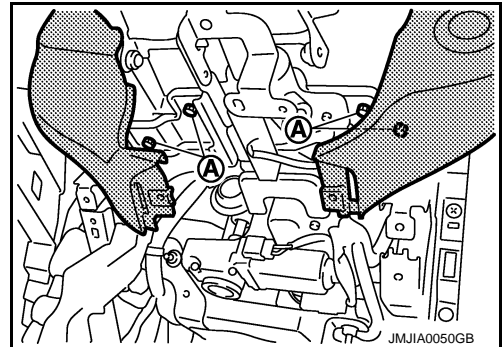
- Remove knee protector mounting bolts (A) with power tool, and then remove knee protector (1).



- Disengage harness cover fixing pawl (B) by using tool (A) located under the column shaft.
- Pull down harness cover (1). (with Harness cover)



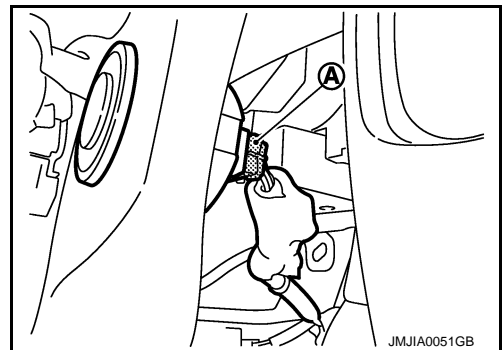
- Remove cluster lid A (Combination meter) mounting bolts (A).



- Disconnect push button ignition switch harness connector (A).
- Pull back cluster lid A (Combination meter), and disconnect combination meter connectors.

NOTE:

For removal and installation of combination meter, refer to [MWI-112, "Removal and Installation"](#).

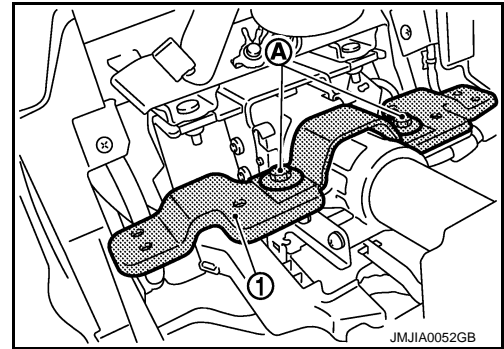


A
B
C
D
E
F
G
H
I
IP
K
L
M
N
O
P

INSTRUMENT PANEL ASSEMBLY

< REMOVAL AND INSTALLATION >

25. Remove meter bracket mounting bolts (A), and then remove meter bracket (1).



26. Remove front defroster grille (LH/RH). Refer to [VTL-11. "FRONT DEFROSTER GRILLE : Removal and Installation"](#).

- Pull upward, disengage pawls.
- Disconnect harness connector.

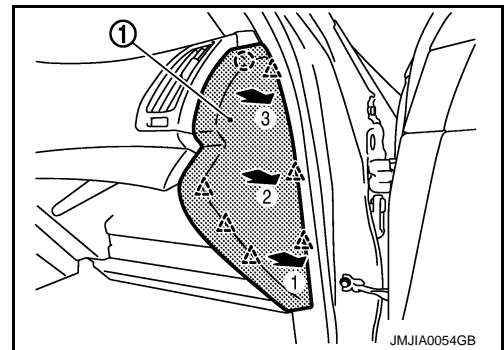
27. Remove front body side welt RH. Refer to [INT-14. "Removal and Installation"](#).

28. Remove front pillar garnish RH. Refer to [INT-14. "Removal and Installation"](#).

29. Remove instrument side finisher RH.
- Insert a remover tool into lower space.
 - Pull the instrument side finisher RH (1) crosswise.

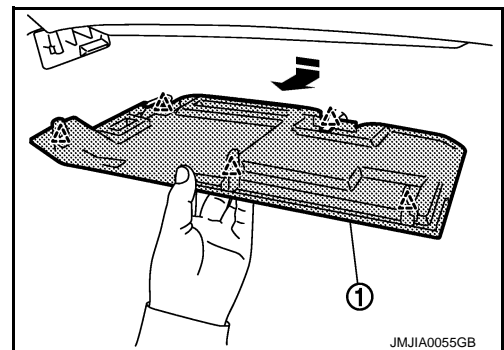
○ : Clip

△ : Pawl

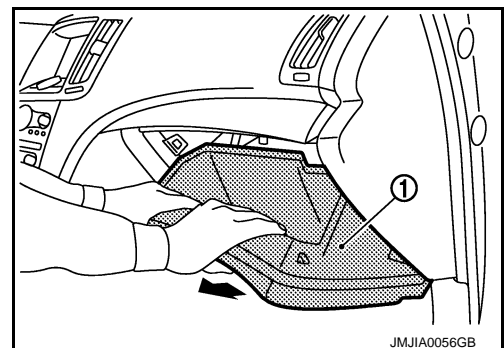


30. Remove instrument lower cover.
- Pull downward, disengage pawls.
 - Pull back instrument lower cover (1).

△ : Pawl



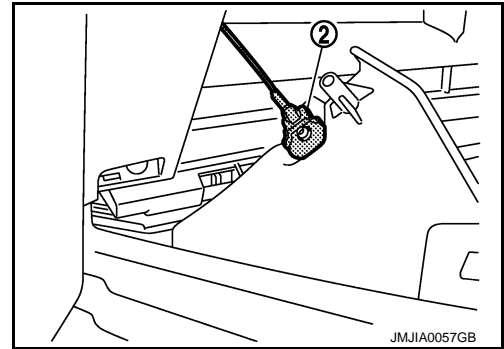
31. Remove glove box assembly.
- Open the glove box.
 - Pull up glove box assembly (1).



INSTRUMENT PANEL ASSEMBLY

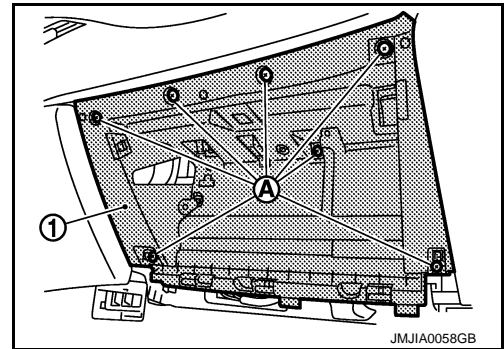
< REMOVAL AND INSTALLATION >

- Remove damper pin (2) of left side.



32. Remove instrument lower panel RH.

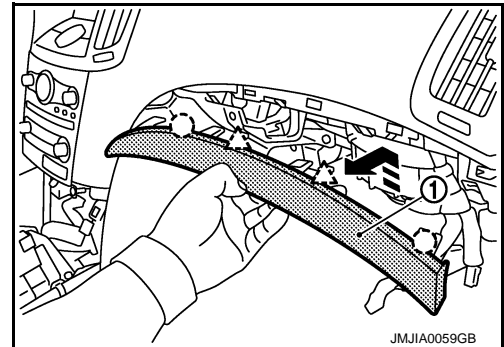
- Remove instrument lower panel RH fixing screws (A) with power tool.
- Pull back instrument lower panel RH (1).
- Disconnect harness connector.



33. Remove instrument finisher B.

- Pull instrument finisher B (1) upward then disengage clips and pawls.

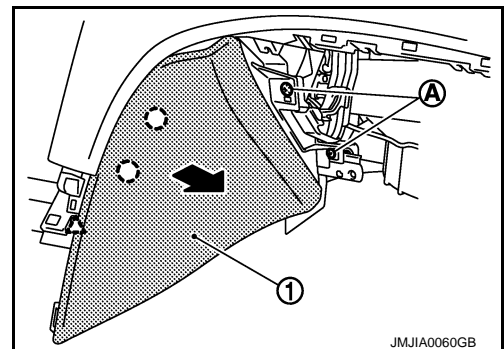
- : Clip
- △ : Pawl



34. Remove instrument side panel RH.

- Remove instrument side panel fixing screws (A).
- Pull the instrument side panel RH (1) crosswise.

- : Clip
- △ : Pawl



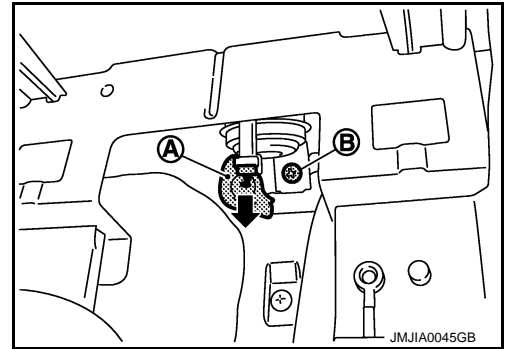
35. Remove instrument panel assembly.

A
B
C
D
E
F
G
H
I
IP
K
L
M
N
O
P

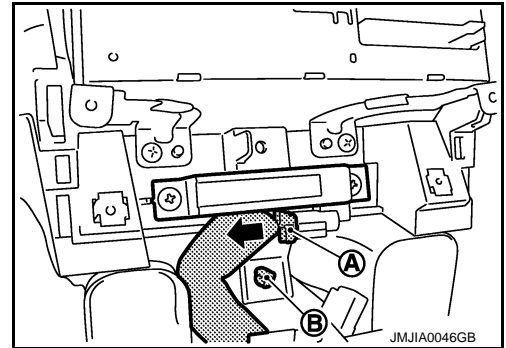
INSTRUMENT PANEL ASSEMBLY

< REMOVAL AND INSTALLATION >

- Disconnect center speaker harness connector (A).
(with center speaker)
- Remove screw (B).

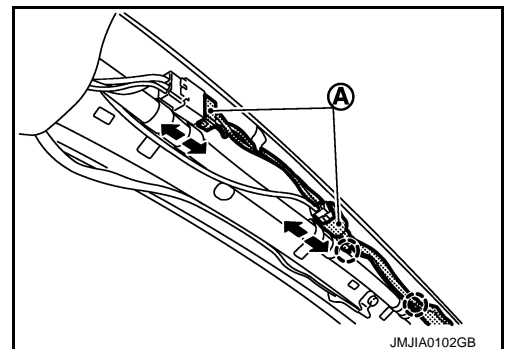


- Disconnect inside key antenna connector (A) and clip (B) located under audio unit.

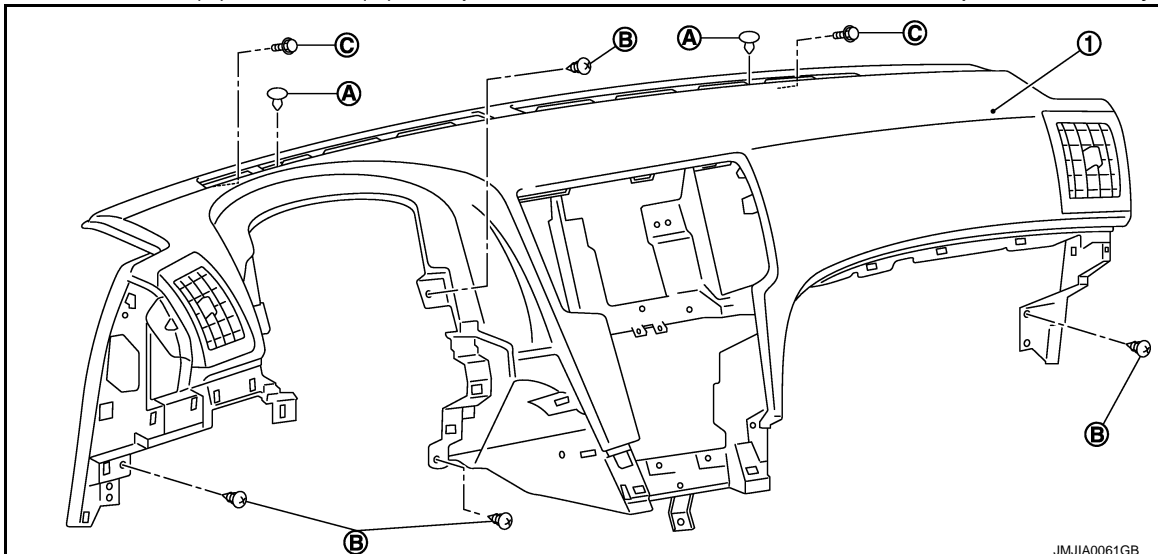


- Disconnect antenna harness connectors (A) and then remove harness clips.

○ : Clip



- Disconnect front passenger air bag module connector. Refer to [SR-16. "Removal and Installation"](#).
- Remove front passenger air bag module mounting bolt. Refer to [SR-16. "Removal and Installation"](#).
- Remove defroster nozzle fixing clips (A).
- Remove screws (B) and bolts (C) with power tool, and then remove instrument panel assembly (1).



CAUTION:

INSTRUMENT PANEL ASSEMBLY

< REMOVAL AND INSTALLATION >

- **Cover tool with a shop cloth to prevent windshield glass being damaged.**
- **When removing instrument panel, 2 workers are required so as to prevent it from dropping.**

36. Remove the following parts after removing instrument panel assembly.

- Center speaker: Refer to [AV-435, "Removal and Installation"](#).
- Front passenger air bag module: Refer to [SR-16, "Removal and Installation"](#).
- Side ventilator grille LH/RH: Refer to [VTL-10, "SIDE VENTILATOR GRILLE : Removal and Installation"](#).
- Inside key antenna: Refer to [DLK-226, "INSTRUMENT CENTER : Removal and Installation"](#).
- Combination meter: Refer to [MWI-112, "Removal and Installation"](#).
- Center speaker grille
- Antenna feeder

INSTALLATION

Install in the reverse order of removal.

M/T MODELS

A
B
C
D
E
F
G
H
I
K
L
M
N
O
P

IP

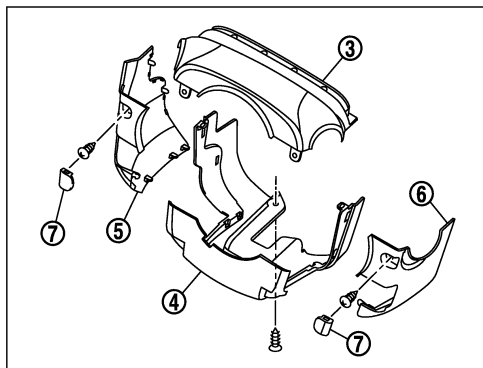
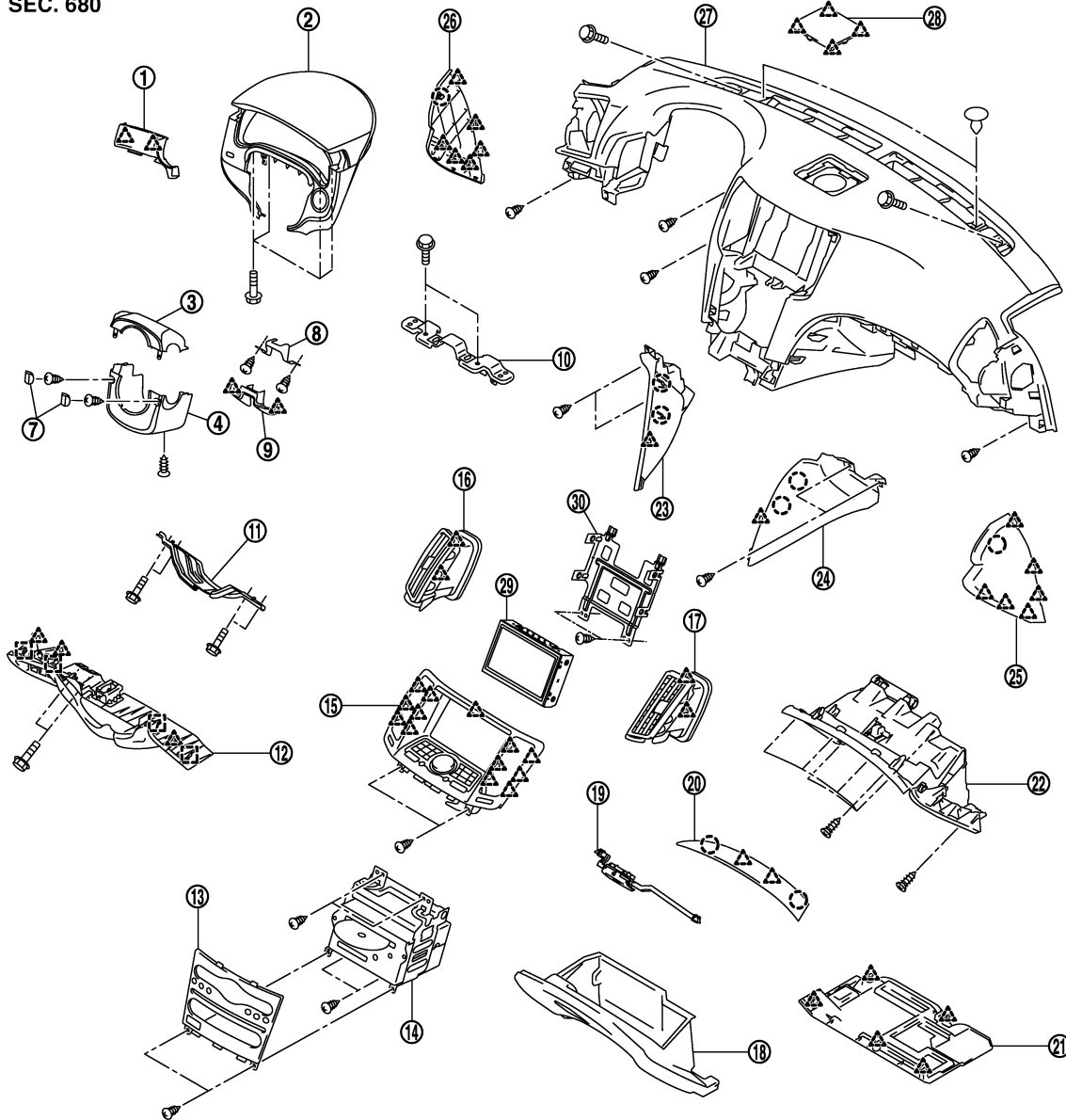
INSTRUMENT PANEL ASSEMBLY

< REMOVAL AND INSTALLATION >

M/T MODELS : Exploded View

INFOID:00000008294231

SEC. 680




JMJIA0343ZZ

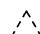
- | | | |
|--------------------------------|--------------------------------------|--------------------------------------|
| 1. Instrument finisher A | 2. Cluster lid A (Combination meter) | 3. Steering column cover upper |
| 4. Steering column cover lower | 5. Steering column side cover LH | 6. Steering column side cover RH |
| 7. Steering column mask | 8. Cluster lid A lower bracket | 9. Steering column front lower cover |
| 10. Meter bracket | 11. Knee protector | 12. Instrument lower panel LH |

INSTRUMENT PANEL ASSEMBLY

< REMOVAL AND INSTALLATION >

- | | | |
|---------------------------------|---------------------------------|-------------------------------|
| 13. Cluster lid C | 14. AV control unit | 15. Cluster lid D |
| 16. Center ventilator grille LH | 17. Center ventilator grille RH | 18. Glove box assembly |
| 19. Glove box lock assembly | 20. Instrument finisher B | 21. Instrument lower cover |
| 22. Instrument lower panel RH | 23. Instrument side panel LH | 24. Instrument side panel RH |
| 25. Instrument side finisher RH | 26. Instrument side finisher LH | 27. Instrument panel assembly |
| 28. Center speaker grille | 29. Display unit | 30. Display unit bracket |

 : Clip

 : Pawl

 : Metal clip

M/T MODELS : Removal and Installation

INFOID:000000008294232

WORK STEP

When removing instrument panel assembly, combination meter, AV control unit, center console assembly take steps in the order shown by the number below.

PARTS	INSTRUMENT PANEL ASSEMBLY	COMBINATION METER	AV CONTROL UNIT	CENTER CONSOLE ASSEMBLY
Shift lever Knob	[1]		[1]	[1]
Console finisher assembly	[2]		[2]	[2]
Coin pocket	[3]			[3]
Console rear finisher	[4]			[4]
Console mask	[5]			[5]
Center console assembly	[6]			[6]
Cluster lid C	[7]		[3]	
Cluster lid D	[8]		[4]	
Display unit	[9]		[5]	
AV control unit	[10]		[6]	
Front body side welt LH	[11]			
Front pillar garnish LH	[12]			
Instrument side finisher LH	[13]			
Instrument lower panel LH	[14]			
Instrument finisher A	[15]			
Instrument side panel LH	[16]			
Driver air bag module	[17]	[1]		
Steering wheel assembly	[18]	[2]		
Steering column cover	[19]	[3]		
Spiral cable and steering angle sensor	[20]			
Combination switch	[21]	[4]		
Cluster lid A (Combination meter)	[22]	[5]		
Meter bracket	[23]			
Front defroster grille (LH/RH)	[24]			
Front body side welt RH	[25]			
Front pillar garnish RH	[26]			
Instrument side finisher RH	[27]			
Instrument lower cover	[28]			
Glove box assembly	[29]			

INSTRUMENT PANEL ASSEMBLY

< REMOVAL AND INSTALLATION >

Instrument lower panel RH	[30]			
Instrument finisher B	[31]			
Instrument side panel RH	[32]			
Instrument panel assembly	[33]			

[]: Number indicates step in removal procedures.

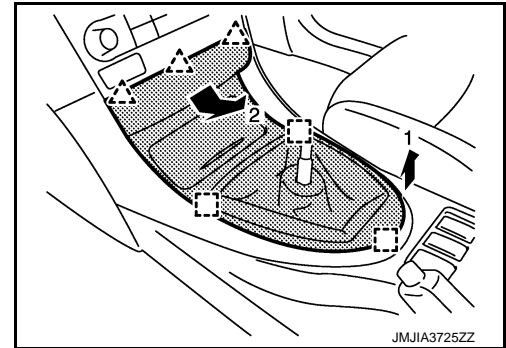
CAUTION:

When removing, always use a remover tool that is made of plastic.

REMOVAL

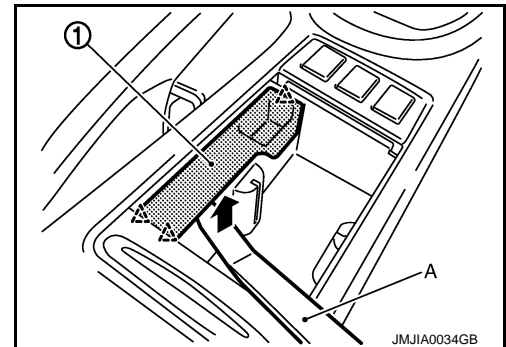
1. Remove shift lever knob. Refer to [TM-20, "Exploded View"](#).
2. Remove console finisher assembly.
 - Remove clips from rear of console finisher assembly, and then remove pawl of front.
 - Pull console finisher assembly upward to disengage from center console assembly.
 - Disconnect harness connectors.

△ : Pawl
□ : Metal clip



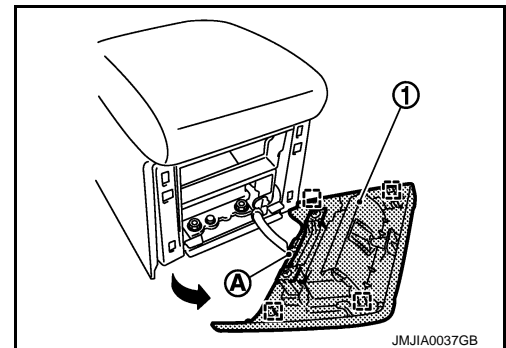
3. Remove coin pocket fixing pawl using a remover tool (A), and then remove coin pocket (1).

△ : Pawl



4. Remove console rear finisher.
 - Pull back the console rear finisher (1).
 - Disconnect inside key antenna connector (A).

□ : Metal clip




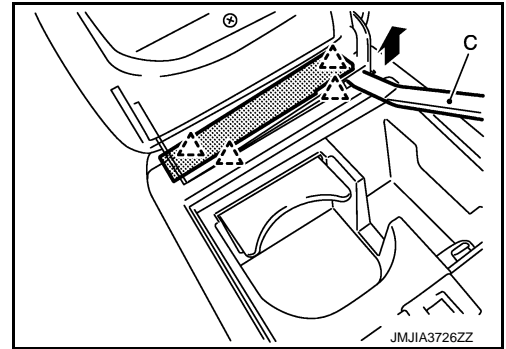
5. Remove console mask.

INSTRUMENT PANEL ASSEMBLY

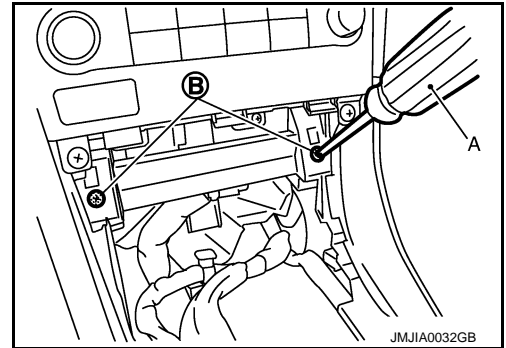
< REMOVAL AND INSTALLATION >

- Open the console lid.
- Pull up console mask by using a remover tool (C), and disengage pawls.

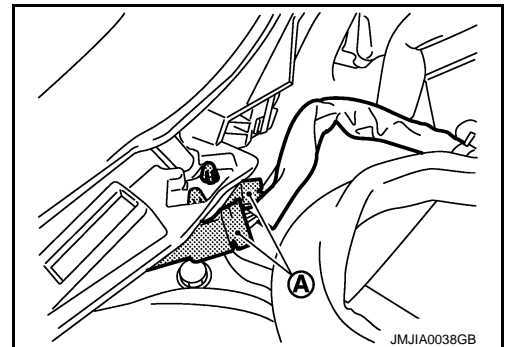
 : Pawl



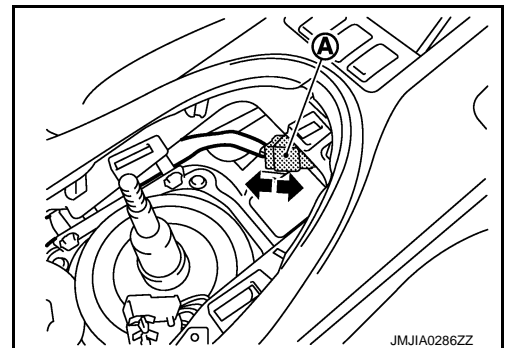
6. Remove center console assembly.
- Remove screws (B) of center console assembly front side with screw driver (A).



- Disconnect console sub harness connectors (A).



- Disconnect heated seat switch harness connector (A) (with heated seat).

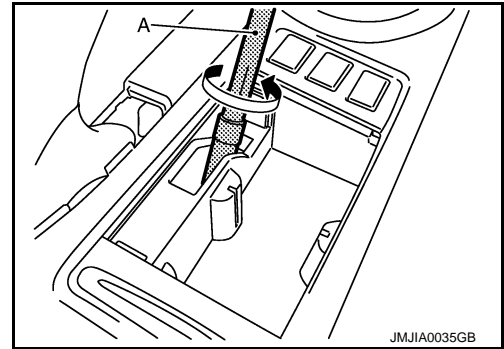


A
B
C
D
E
F
G
H
I
IP
K
L
M
N
O
P

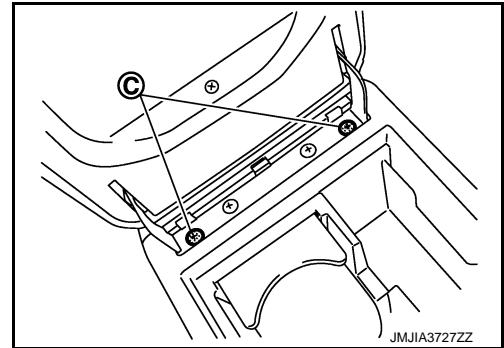
INSTRUMENT PANEL ASSEMBLY

< REMOVAL AND INSTALLATION >

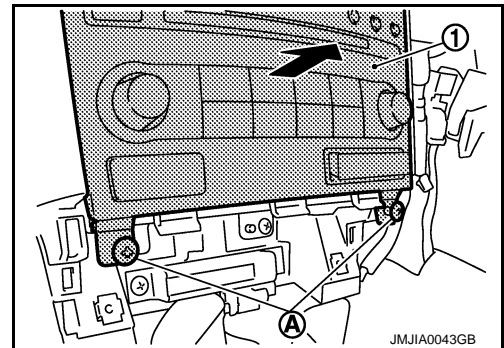
- Insert a deep-well socket wrench (A) to rotate adjusting nut to loosen cable sufficiently. Refer to [PB-4, "LEVER TYPE : Inspection and Adjustment"](#).




- Remove screws (C) of center console assembly rear side.
- Lift up back side and pull back.

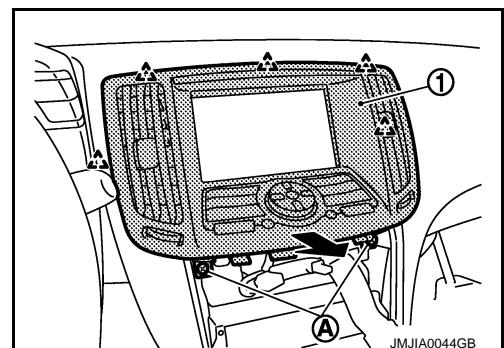


7. Remove cluster lid C.
- Remove cluster lid C fixing screws (A).
 - Pull back cluster lid C (1).
 - Disconnect harness connectors.



8. Remove cluster lid D.
- Remove cluster lid D fixing screws (A).
 - Pull back cluster lid D (1).
 - Disconnect harness connectors.

 : Pawl

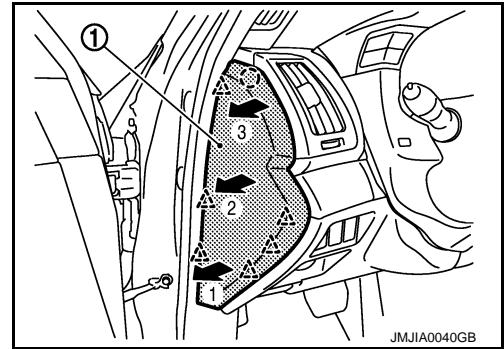
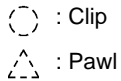


9. Remove display unit. Refer to [AV-430, "Removal and Installation"](#).
10. Remove AV control unit. Refer to [AV-75, "Removal and Installation"](#).
11. Remove front body side welt LH. Refer to [INT-14, "Removal and Installation"](#).
12. Remove front pillar garnish LH. Refer to [INT-14, "Removal and Installation"](#).
13. Remove instrument side finisher LH.

INSTRUMENT PANEL ASSEMBLY

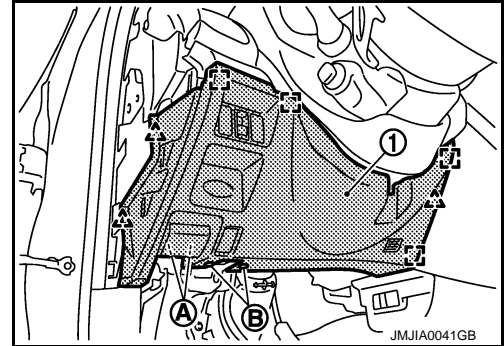
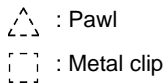
< REMOVAL AND INSTALLATION >

- Insert a remover tool into lower space.
- Pull the instrument side finisher LH (1) crosswise.



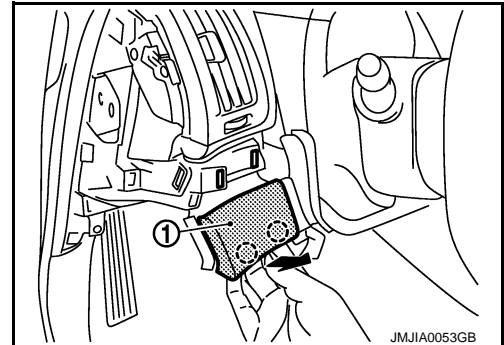
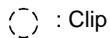
14. Remove instrument lower panel LH.

- Remove hood opener mounting bolts (A). Refer to [DLK-200, "HOOD LOCK CONTROL : Removal and Installation"](#).
- Remove data link connector fixing screws (B).
- Pull back instrument lower panel LH (1).
- Disconnect harness connectors.



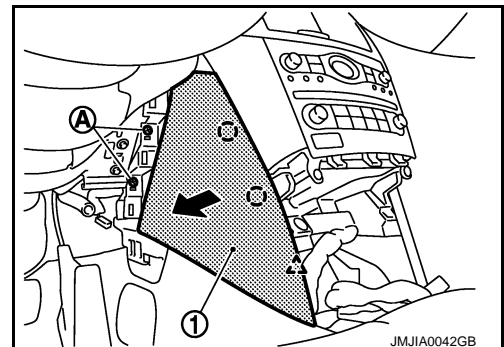
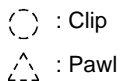
15. Remove instrument finisher A.

Pull instrument finisher A (1) upward, and then disengage clips.



16. Remove instrument side panel LH.

- Remove instrument side panel fixing screws (A).
- Pull the instrument side panel LH (1) crosswise.



17. Remove driver air bag module. Refer to [SR-10, "Removal and Installation"](#).

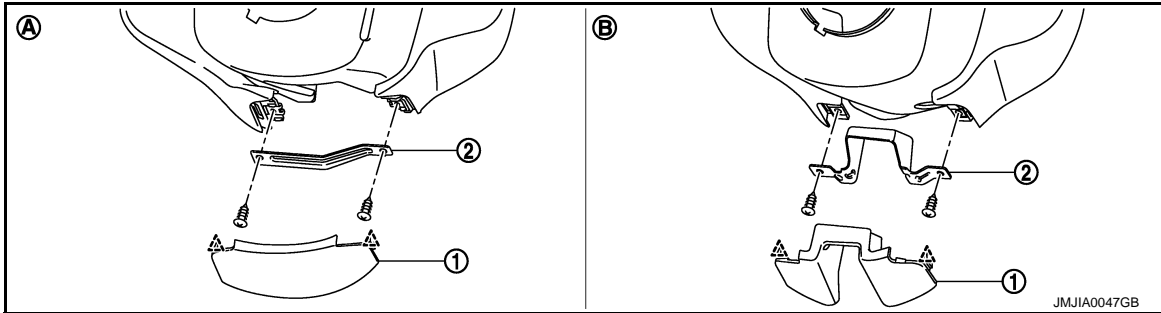
18. Remove steering wheel. Refer to [ST-17, "Exploded View"](#).

19. Remove steering column covers.

A
B
C
D
E
F
G
H
I
IP
K
L
M
N
O
P

INSTRUMENT PANEL ASSEMBLY

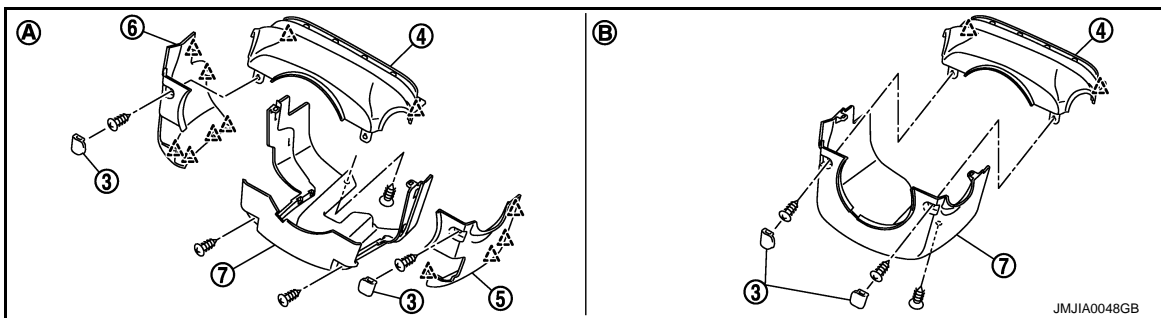
< REMOVAL AND INSTALLATION >



(A) Column cover (with electric column)

(B) Column cover (with manual column)

- Remove steering column front lower cover (1).
- Remove cluster lid A lower bracket (2).



(A) Column cover (with PADDLE SHIFTER)

(B) Column cover (without PADDLE SHIFTER)

- Remove steering column mask (3) and screws.
- Pull up steering column cover upper (4).
- Remove steering column side cover RH (5). (with PADDLE SHIFTER)
- Pull the steering column side cover LH (6) to the left side. (with PADDLE SHIFTER)
- Disconnect ADP steering switch connector. (with ADP)
- Remove steering column side cover LH (6).
- Remove screws, and then remove steering column lower cover (7).

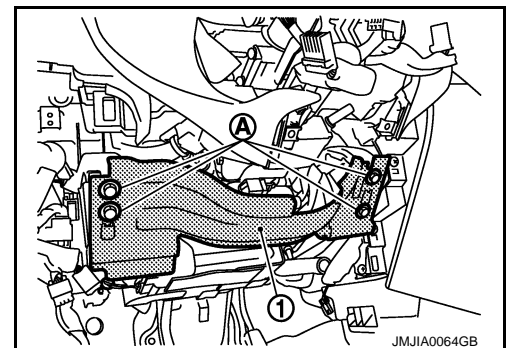
△ : Pawl

20. Remove spiral cable and steering angle sensor. Refer to [SR-13. "Removal and Installation"](#).

21. Remove combination switch. Refer to [BCS-82. "Exploded View"](#).

22. Remove cluster lid A.

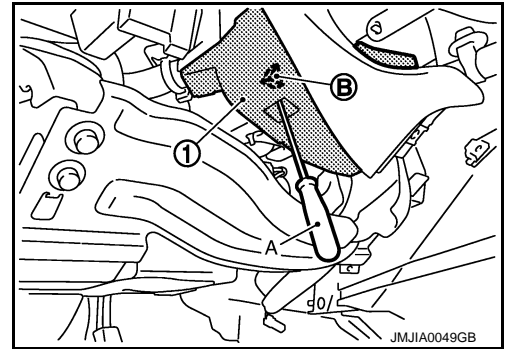
- Remove knee protector mounting bolts (A) with power tool, and then remove knee protector (1).



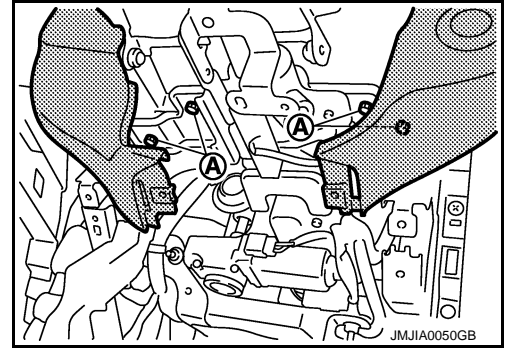
INSTRUMENT PANEL ASSEMBLY

< REMOVAL AND INSTALLATION >

- Disengage harness cover fixing pawl (B) by using tool (A) located under the column shaft.
- Pull down harness cover (1). (with Harness cover)



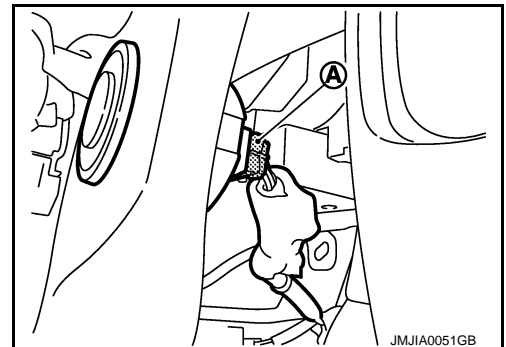
- Remove cluster lid A (Combination meter) mounting bolts (A).



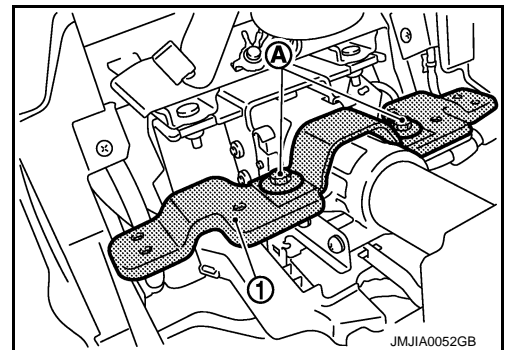
- Disconnect push button ignition switch harness connector (A).
- Pull back cluster lid A (Combination meter), and disconnect combination meter connectors.

NOTE:

For removal and installation of combination meter, refer to [MWI-112, "Removal and Installation"](#).



23. Remove meter bracket mounting bolts (A), and then remove meter bracket (1).



24. Remove front defroster grille (LH/RH). Refer to [VTL-11, "FRONT DEFROSTER GRILLE : Removal and Installation"](#).
25. Remove front body side welt RH. Refer to [INT-14, "Removal and Installation"](#).
26. Remove front pillar garnish RH. Refer to [INT-14, "Removal and Installation"](#).
27. Remove instrument side finisher RH.

A
B
C
D
E
F
G
H
I
IP
K
L
M
N
O
P

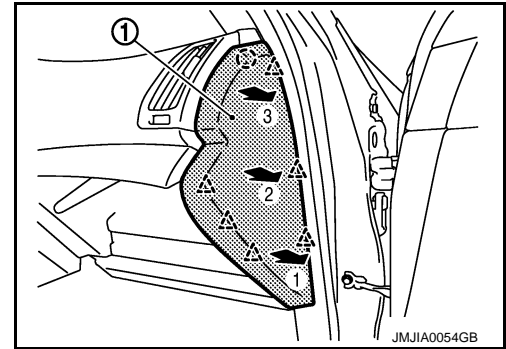
INSTRUMENT PANEL ASSEMBLY

< REMOVAL AND INSTALLATION >

- Insert a remover tool into lower space.
- Pull the instrument side finisher RH (1) crosswise.

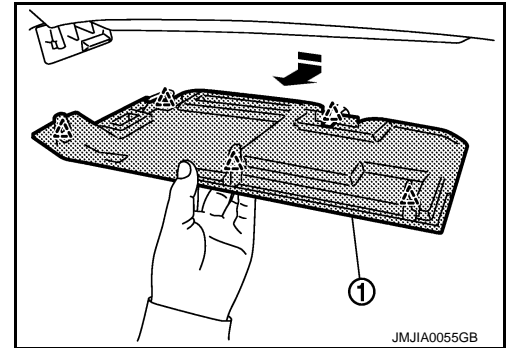
○ : Clip

△ : Pawl

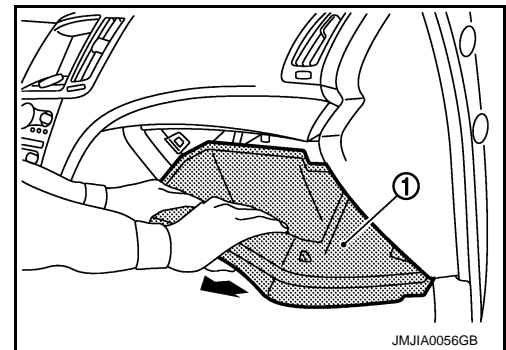


28. Remove instrument lower cover.
- Pull downward, disengaged pawls.
 - Pull back instrument lower cover (1).

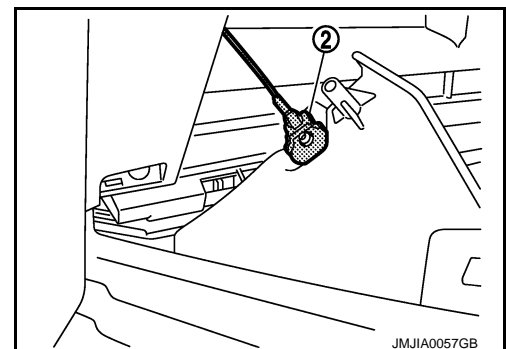
△ : Pawl



29. Remove glove box assembly.
- Open the glove box.
 - Pull up glove box assembly (1).



- Remove damper pin (2) of left side.

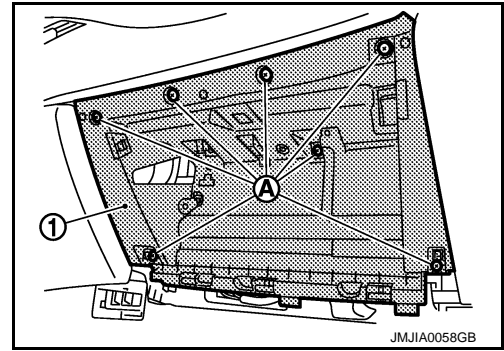


30. Remove instrument lower panel RH.

INSTRUMENT PANEL ASSEMBLY

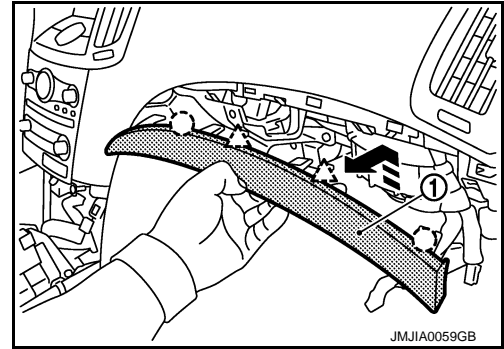
< REMOVAL AND INSTALLATION >

- Remove instrument lower panel RH fixing screws (A) with power tool.
- Pull back instrument lower panel RH (1).
- Disconnect harness connector.



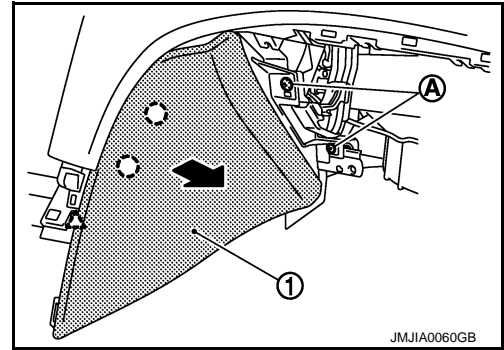
31. Remove instrument finisher B.
Pull instrument finisher B (1) upward then disengage clips and pawls.

- : Clip
- △ : Pawl

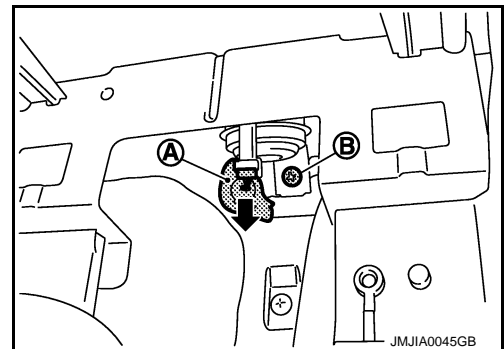


32. Remove instrument side panel RH.
• Remove instrument side panel fixing screws (A).
• Pull the instrument side panel RH (1) crosswise.

- : Clip
- △ : Pawl



33. Remove instrument panel assembly.
• Disconnect center speaker harness connector (A). (with center speaker)
• Remove screw (B).

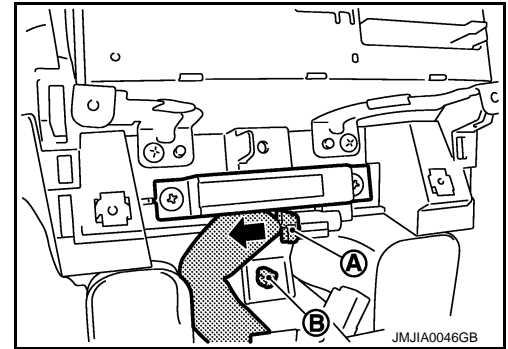


A
B
C
D
E
F
G
H
I
IP
K
L
M
N
O
P

INSTRUMENT PANEL ASSEMBLY

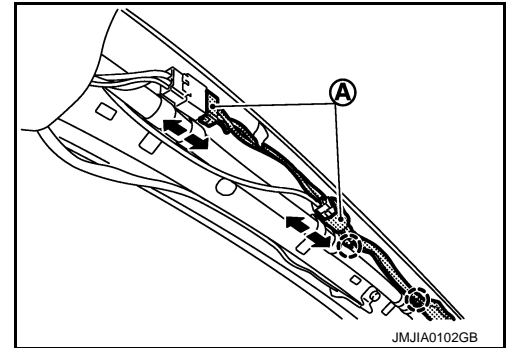
< REMOVAL AND INSTALLATION >

- Disconnect inside key antenna connector (A) and clip (B) located under audio unit.

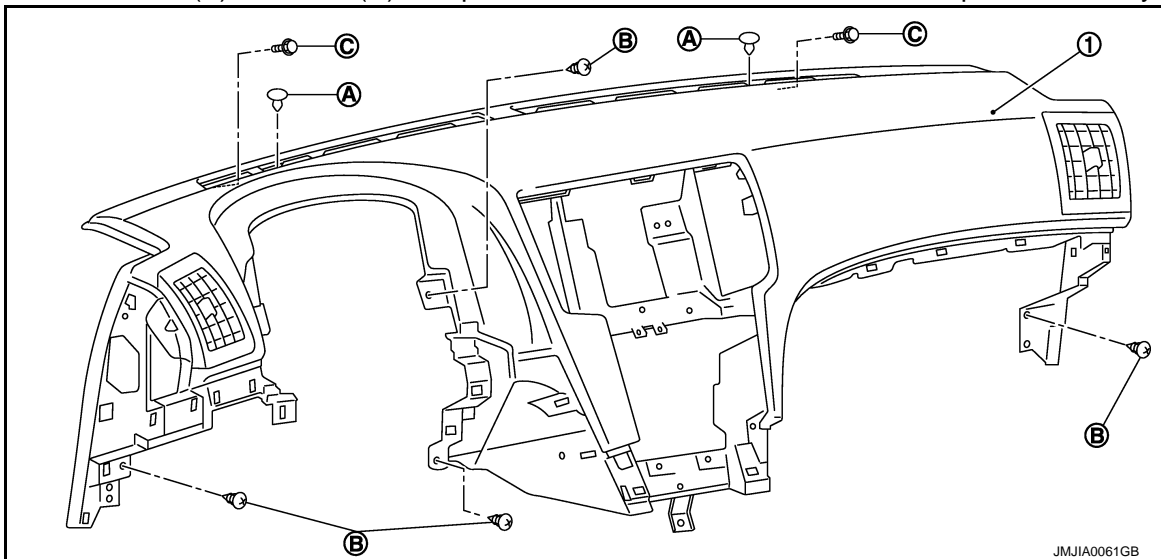


- Disconnect antenna harness connectors (A) and then remove harness clips.

○ : Clip



- Disconnect front passenger air bag module connector. Refer to [SR-16. "Removal and Installation"](#).
- Remove front passenger air bag module mounting bolt. Refer to [SR-16. "Removal and Installation"](#).
- Remove defroster nozzle fixing clips (A).
- Remove screws (B) and bolts (C) with power tool, and then remove instrument panel assembly (1).



CAUTION:

- Cover tool with a shop cloth to prevent windshield glass being damaged.
- When removing instrument panel, 2 workers are required so as to prevent it from dropping.

34. Remove the following parts after removing instrument panel assembly.

- Center speaker: Refer to [AV-435. "Removal and Installation"](#).
- Front passenger air bag module: Refer to [SR-16. "Removal and Installation"](#).
- Side ventilator grille LH/RH: Refer to [VTL-10. "SIDE VENTILATOR GRILLE : Removal and Installation"](#).
- Inside key antenna: Refer to [DLK-226. "INSTRUMENT CENTER : Removal and Installation"](#).
- Combination meter: Refer to [MWI-112. "Removal and Installation"](#).
- Center speaker grille
- Antenna feeder

INSTALLATION

Install in the reverse order of removal.

CENTER CONSOLE ASSEMBLY

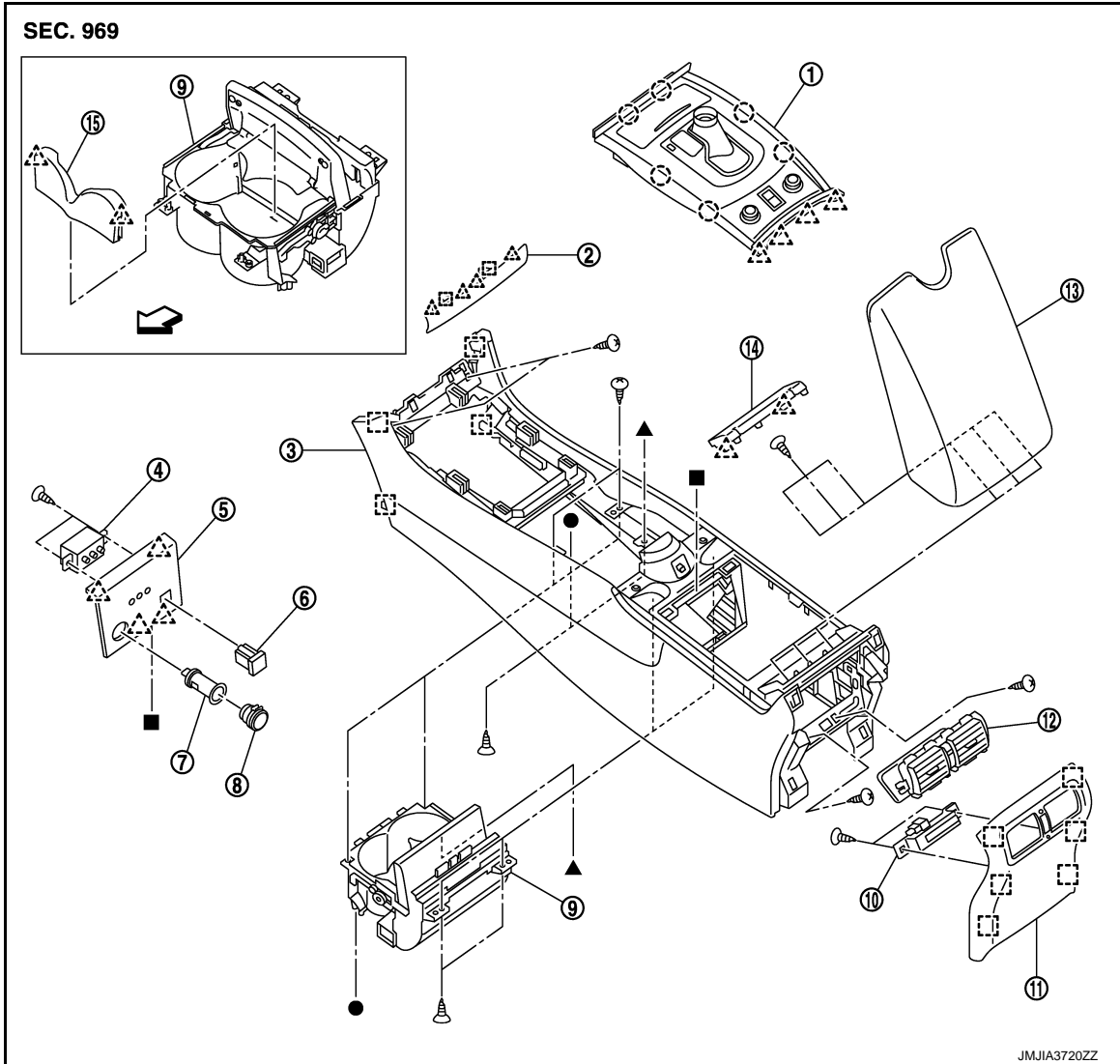
< REMOVAL AND INSTALLATION >

CENTER CONSOLE ASSEMBLY A/T MODELS


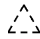
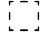

A/T MODELS : Exploded View

INFOID:000000008294233

CENTER CONSOLE ASSEMBLY



- | | | |
|--|----------------------------|--|
| 1. Console finisher assembly | 2. Instrument finisher E | 3. Center console assembly |
| 4. Auxiliary input jacks (if equipped) | 5. Console center finisher | 6. USB connector (if equipped) |
| 7. Power socket Inner case | 8. Socket knob | 9. Cup holder assembly |
| 10. Inside key antenna | 11. Console rear finisher | 12. Rear ventilator grille (if equipped) |
| 13. Console lid assembly | 14. Console mask | 15. Cup separator |

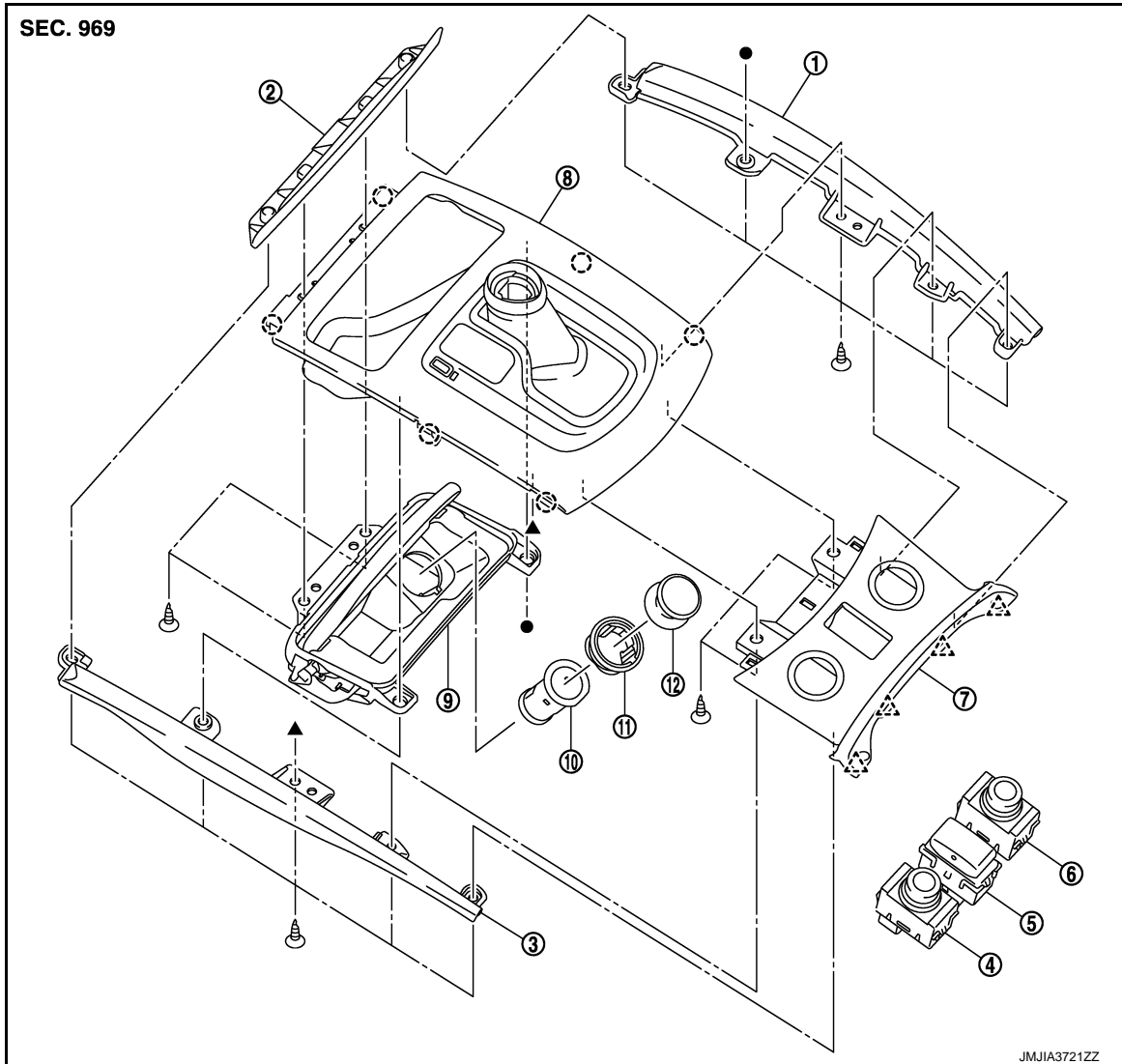
-  : Clip
-  : Pawl
-  : Metal clip
-  : Vehicle front

A
B
C
D
E
F
G
H
I
IP
K
L
M
N
O
P

CENTER CONSOLE ASSEMBLY

< REMOVAL AND INSTALLATION >

CONSOLE FINISHER ASSEMBLY



- | | | |
|---|----------------------------------|--|
| 1. Console finisher escutcheon RH | 2. Console front finisher | 3. Console finisher escutcheon LH |
| 4. Heated seat switch (driver side) (if equipped) | 5. Switch (if equipped) | 6. Heated seat switch (passenger side) (if equipped) |
| 7. Switch panel | 8. AT control indicator assembly | 9. Console pocket assembly |
| 10. Power socket Inner case or Cigarette lighter case | 11. Socket ring | 12. Socket knob or Cigarette lighter |

- : Clip
 △ : Pawl

A/T MODELS : Removal and Installation

INFOID:000000008294234

CAUTION:

When removing, always use a remover tool that is made of plastic.

REMOVAL

- Remove selector lever knob.
 - 2WD models: Refer to [TM-270. "2WD : Exploded View"](#).
 - AWD models: Refer to [TM-272. "AWD : Exploded View"](#).
- Remove instrument finisher E.

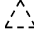

CENTER CONSOLE ASSEMBLY

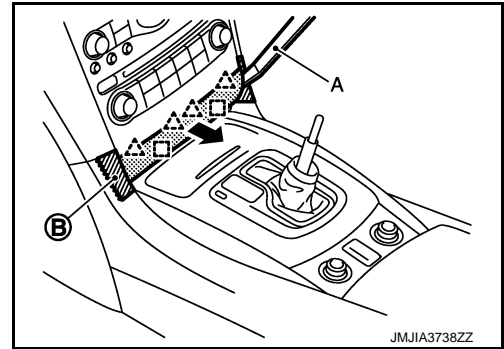
< REMOVAL AND INSTALLATION >

1. Insert a remover tool (A) between instrument panel assembly and instrument finisher E, and then disengage pawls and metal clips.
2. Pull back instrument finisher E.


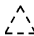
CAUTION:

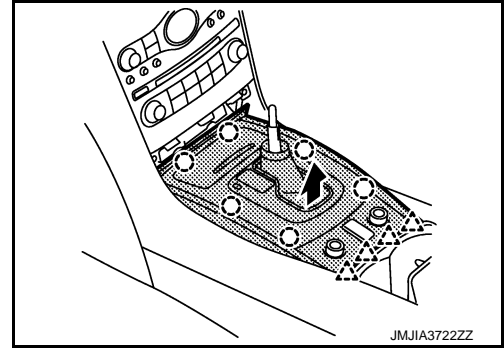
Apply protective tape (B) on the part to protect from damage.

-  : Pawl
-  : Metal clip




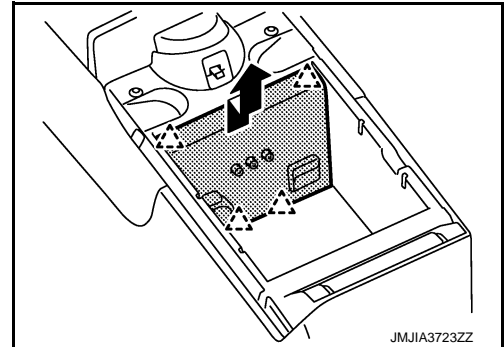
3. Remove console finisher assembly.
 1. Remove pawls from rear of console finisher assembly, and then remove clips of front.
 2. Pull console finisher assembly upward to disengage from center console assembly.
 3. Disconnect harness connectors.

-  : Clip
-  : Pawl



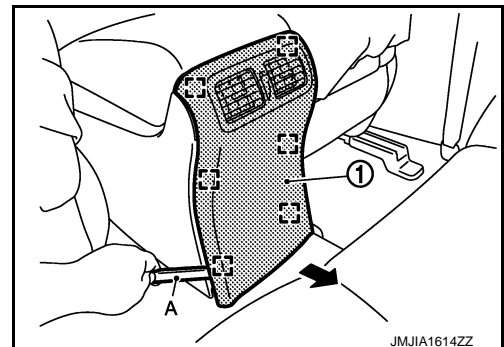
4. Remove console center finisher.
 - Pull up console center finisher, and disengage pawls.
 - Disconnect harness connectors.

-  : Pawl



5. Remove console rear finisher.
 - Pull back the console rear finisher (1) with remover tool (A).
 - Disconnect inside key antenna connector.

-  : Metal clip



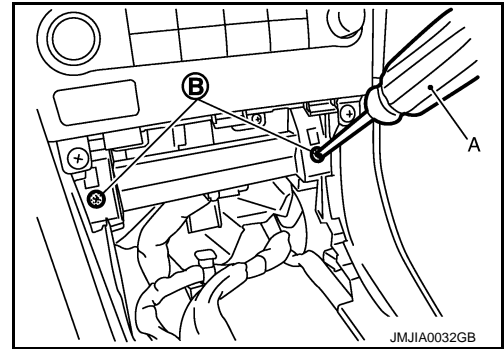
6. Remove rear ventilator duct 2. Refer to [VTL-12, "REAR VENTILATOR DUCT 2 : Removal and Installation"](#).
7. Remove center console assembly.

A
B
C
D
E
F
G
H
I
IP
K
L
M
N
O
P

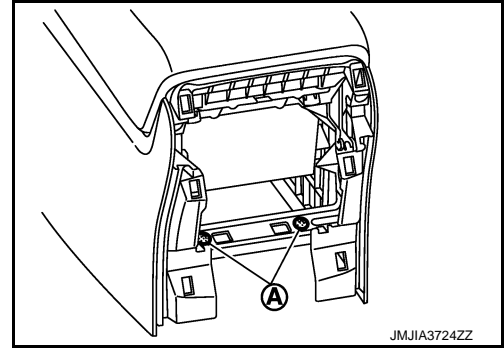
CENTER CONSOLE ASSEMBLY

< REMOVAL AND INSTALLATION >

- Remove screws (B) of center console assembly front side with screw driver (A).



- Remove center console assembly fixing screws (A).



- Lift up center console assembly back side.
- Disconnect harness connectors.

INSTALLATION

Install in the reverse order of removal.

A/T MODELS : Disassembly and Assembly

INFOID:000000008294235

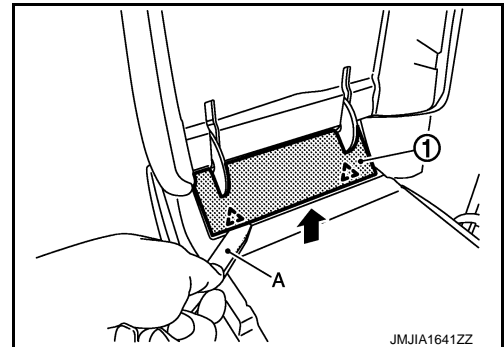
CAUTION:

When disassembling, always use a remover tool that is made of plastic.

DISASSEMBLY

1. Remove center console assembly. Refer to [IP-34, "A/T MODELS : Removal and Installation"](#).
2. Remove console mask.
 - Open the console lid.
 - Remove console mask (1) fixing pawls with remover tool (A).

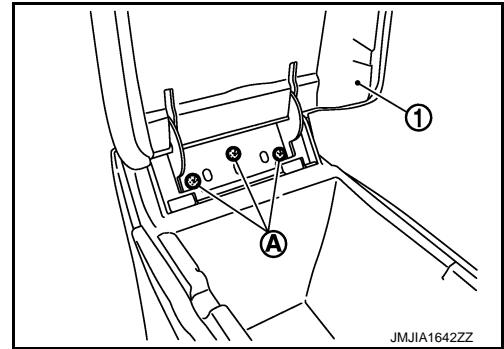
△ : Pawl



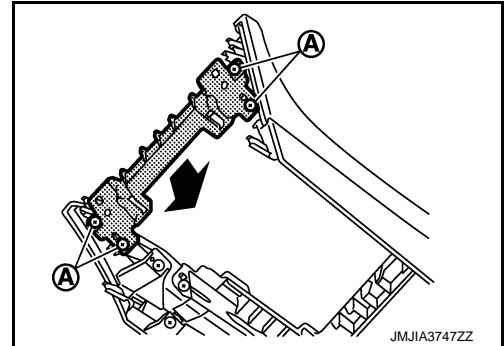
CENTER CONSOLE ASSEMBLY

< REMOVAL AND INSTALLATION >

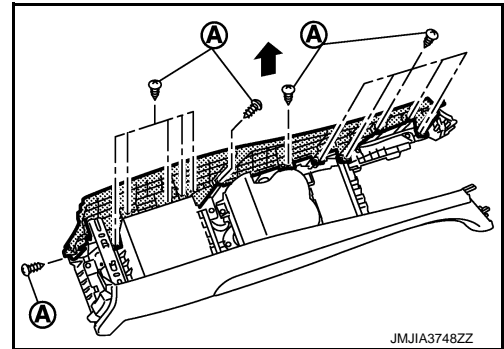
3. Remove console lid assembly (1) fixing screws (A), and then remove console lid assembly.



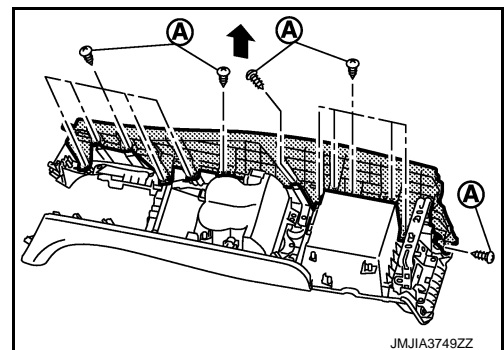
4. Remove console front bracket.
• Remove console front bracket fixing screws (A).
• Pull the console front bracket toward the direction of the arrow.



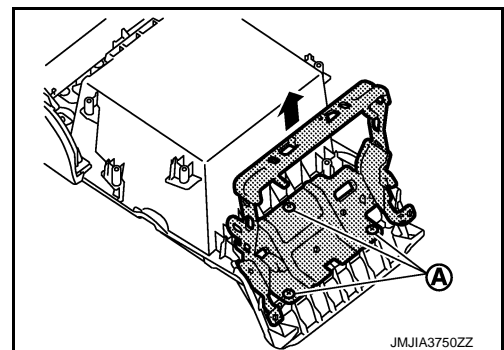
5. Remove console body RH.
• Remove console body RH fixing screws (A).
• Pull the console body RH toward the direction of the arrow.



6. Remove console body LH.
• Remove console body LH fixing screws (A).
• Pull the console body LH toward the direction of the arrow.



7. Remove console reinforcement.
• Remove console reinforcement fixing screws (A).
• Pull the console reinforcement toward the direction of the arrow.



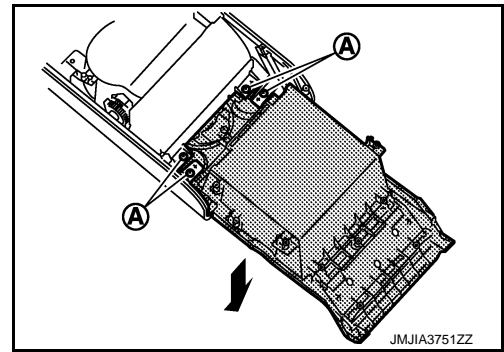
A
B
C
D
E
F
G
H
I
IP
K
L
M
N
O
P

CENTER CONSOLE ASSEMBLY

< REMOVAL AND INSTALLATION >

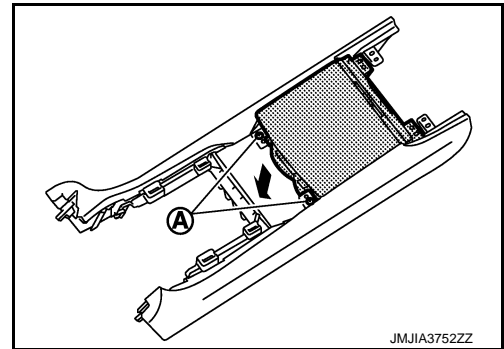
8. Remove console box assembly.

- Remove console box assembly fixing screws (A).
- Pull the console box assembly toward the direction of the arrow.



9. Remove cup holder assembly.

- Remove cup holder assembly fixing screws (A).
- Pull the cup holder assembly toward the direction of the arrow.



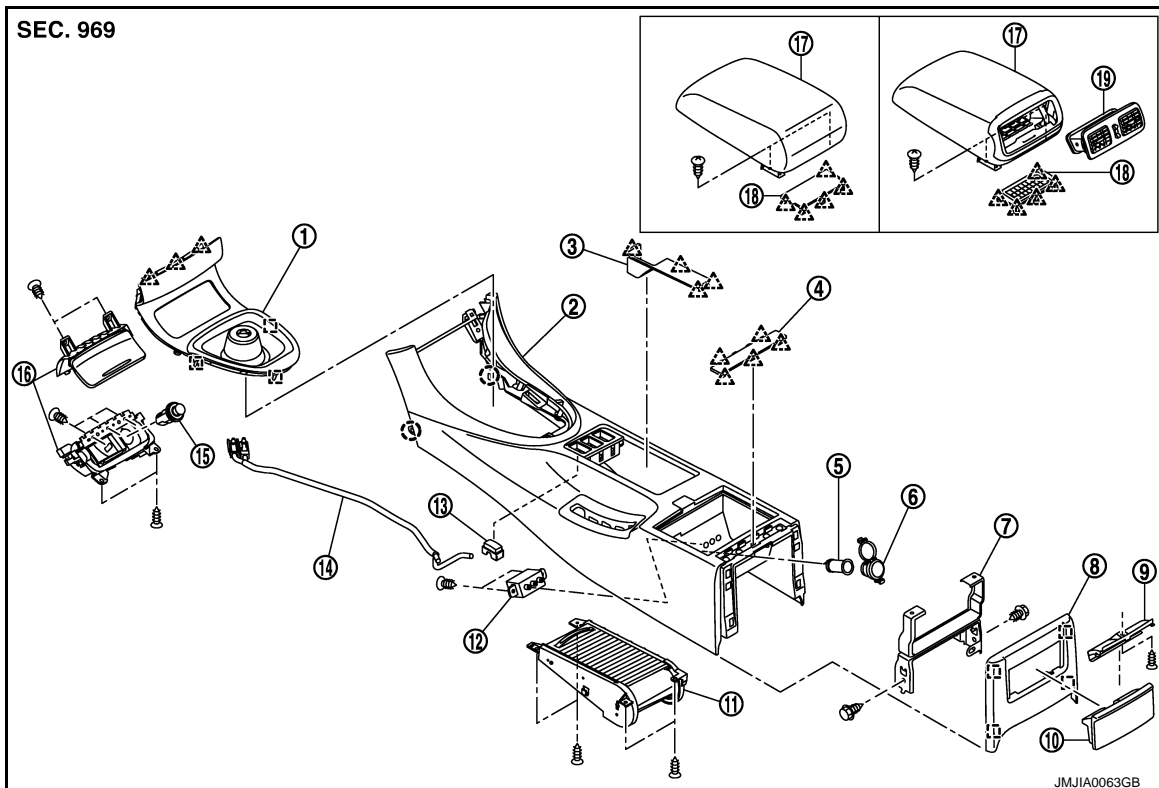
ASSEMBLY

Assemble in the reverse order of disassembly.

M/T MODELS

M/T MODELS : Exploded View

INFOID:000000008294236



1. Console finisher assembly

2. Center console assembly

3. Coin pocket

4. Console mask

5. Power socket (if equipped)

6. Socket knob (if equipped)

CENTER CONSOLE ASSEMBLY

< REMOVAL AND INSTALLATION >

- | | | |
|------------------------------------|--------------------------|--|
| 7. Console rear bracket | 8. Console rear finisher | 9. Console ashtray bracket |
| 10. Console ashtray | 11. Cup holder assembly | 12. Auxiliary input jacks (if equipped) or USB connector (if equipped) |
| 13. Switch hole mask | 14. Console sub harness | 15. Power socket or Cigarette lighter |
| 16. Ashtray (front) or Coin pocket | 17. Console lid | 18. Console mask |
| 19. Rear ventilator grille | | |

○ : Clip

△ : Pawl

□ : Metal clip

M/T MODELS : Removal and Installation

INFOID:000000008294237

CAUTION:

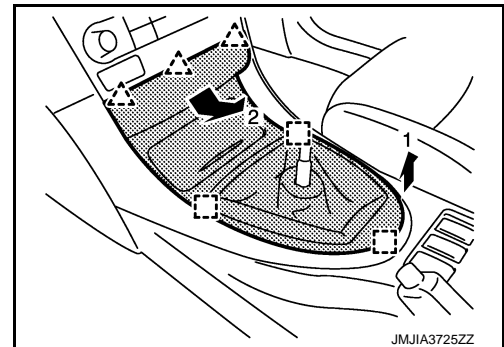
When removing, always use a remover tool that is made of plastic.

REMOVAL

- Remove shift lever knob. Refer to [TM-20. "Removal and Installation"](#).
- Remove console finisher.
 - Remove metal clips from rear of console finisher, and then remove pawl of front.
 - Pull console finisher upward to disengage from center console assembly.
 - Disconnect harness connectors.

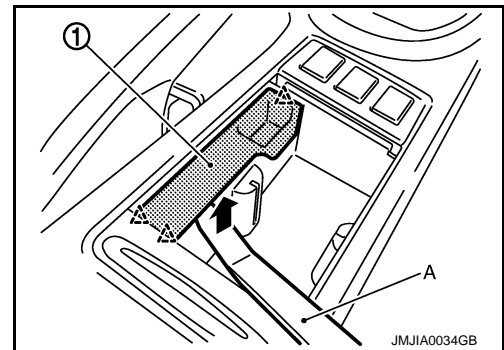
△ : Pawl

□ : Metal clip



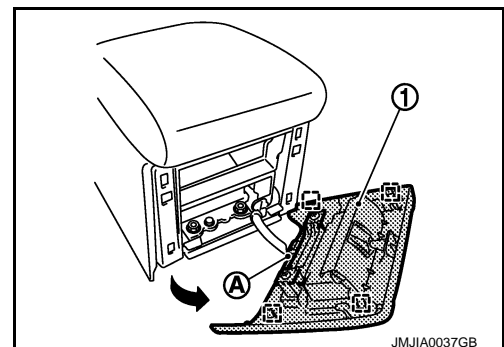
- Remove coin pocket fixing pawl using a remover tool (A), and then remove coin pocket (1).

△ : Pawl



- Remove console rear finisher.
 - Pull back the console rear finisher (1).
 - Disconnect inside key antenna connector (A).

□ : Metal clip

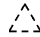


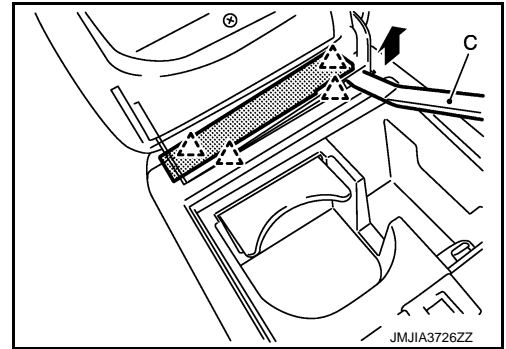
- Remove console mask.

CENTER CONSOLE ASSEMBLY

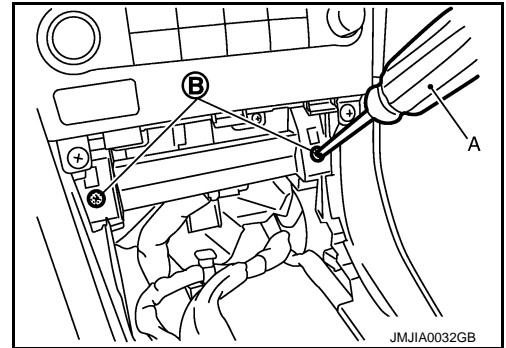
< REMOVAL AND INSTALLATION >

- Open the console lid.
- Pull up console mask by using a remover tool (C), and disengage pawls.

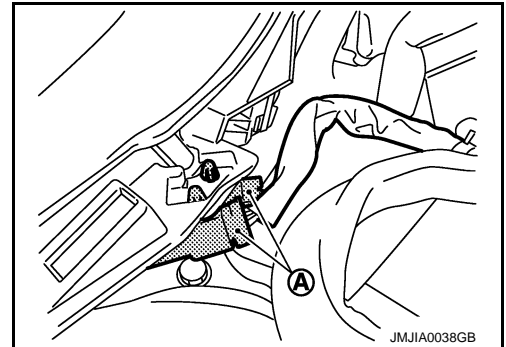
 : Pawl



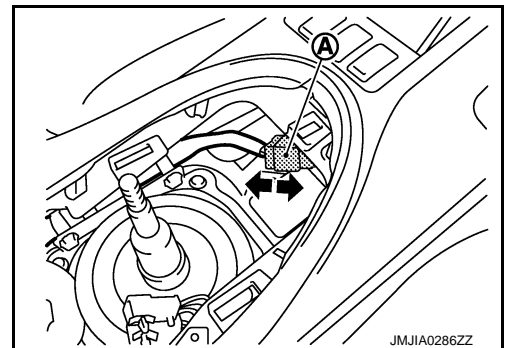
6. Remove center console assembly.
- Remove screws (B) of center console assembly front side with screw driver (A).



- Disconnect console sub harness connectors (A).



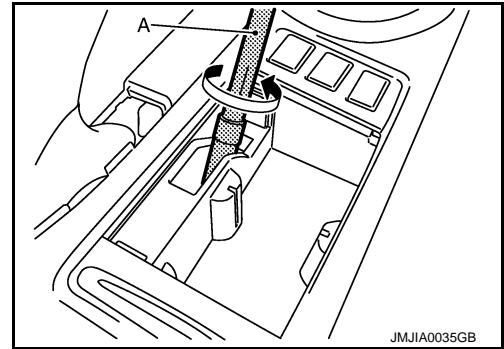
- Disconnect heated seat switch connector (A). (with heated seat)



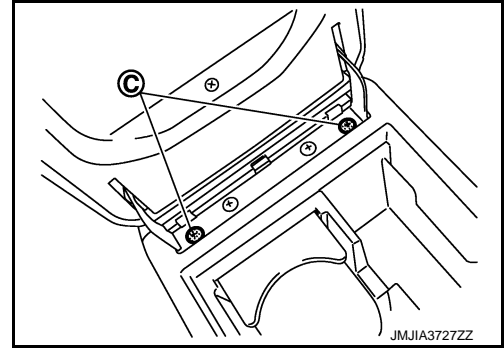
CENTER CONSOLE ASSEMBLY

< REMOVAL AND INSTALLATION >

- Insert a deep-well socket wrench (A) to rotate adjusting nut to loosen cable sufficiently. Refer to [PB-4, "LEVER TYPE : Inspection and Adjustment"](#).



- Remove screws (C) of center console assembly rear side, and then remove center console assembly.



INSTALLATION

Install in the reverse order of removal.

M/T MODELS : Disassembly and Assembly

INFOID:000000008294238

CAUTION:

When disassembling, always use a remover tool that is made of plastic.

DISASSEMBLY

1. Remove center console assembly. Refer to [IP-39, "M/T MODELS : Removal and Installation"](#).
2. Remove console lid fixing screws, and then remove console lid.
3. Remove console ashtray.
4. Remove console ashtray bracket fixing screw, and then remove console ashtray bracket.
5. Remove cup holder assembly fixing screws, and then remove cup holder assembly.
6. Remove USB connector (if equipped). Refer to [AV-443, "Removal and Installation"](#).
7. Remove auxiliary input jacks (if equipped). Refer to [AV-84, "Removal and Installation"](#).
8. Remove console power socket (if equipped). Refer to [PWO-6, "CONSOLE POWER SOCKET : Removal and Installation"](#).
9. Remove cigarette lighter (if equipped). Refer to [PWO-5, "Removal and Installation"](#).
10. Remove console sub harness.

ASSEMBLY

Assemble in the reverse order of disassembly.