

SECTION **PG**

**POWER SUPPLY, GROUND & CIRCUIT ELEMENTS**

**CONTENTS**

<b>POWER SUPPLY &amp; GROUND CIRCUIT</b>		
<b>BASIC INSPECTION</b> .....	3	
<b>BATTERY</b> .....	3	
How to Handle Battery .....	3	
Work Flow .....	3	
<b>DTC/CIRCUIT DIAGNOSIS</b> .....	6	
<b>POWER SUPPLY ROUTING CIRCUIT</b> .....	6	
Wiring Diagram - BATTERY POWER SUPPLY - .....	6	
Wiring Diagram - BATTERY POWER SUPPLY		
FUSIBLE LINK No. K - .....	9	
Wiring Diagram - BATTERY POWER SUPPLY		
FUSE No. 6 - .....	10	
Wiring Diagram - BATTERY POWER SUPPLY		
FUSE No. 7 - .....	11	
Wiring Diagram - BATTERY POWER SUPPLY		
FUSE No. 9 - .....	12	
Wiring Diagram - BATTERY POWER SUPPLY		
FUSE No. 10 - .....	13	
Wiring Diagram - BATTERY POWER SUPPLY		
FUSE No. 11 - .....	14	
Wiring Diagram - BATTERY POWER SUPPLY		
FUSE No. 34 - .....	15	
Wiring Diagram - BATTERY POWER SUPPLY		
FUSE No. 50 - .....	16	
Wiring Diagram - BATTERY POWER SUPPLY		
FUSE No. 53 - .....	17	
Wiring Diagram - ACCESSORY POWER SUPPLY - .....	19	
Wiring Diagram - ACCESSORY POWER SUPPLY FUSE No. 19 - .....	20	
Wiring Diagram - ACCESSORY POWER SUPPLY FUSE No. 20 - .....	21	
Wiring Diagram - IGNITION POWER SUPPLY - .....	22	
Wiring Diagram - IGNITION POWER SUPPLY		
FUSE No. 3 - .....	25	
Wiring Diagram - IGNITION POWER SUPPLY		
FUSE No. 4 - .....	27	
Wiring Diagram - IGNITION POWER SUPPLY		
FUSE No. 44 - .....	28	
Wiring Diagram - IGNITION POWER SUPPLY		
FUSE No. 45 - .....	29	
Fuse .....	30	
Fusible Link .....	33	
Circuit Breaker .....	33	
<b>HARNES LAYOUT</b> .....	34	
How To Read Harness Layout .....	34	
Outline .....	35	
Engine Room Harness .....	36	
Engine Control Harness .....	37	
Main Harness .....	42	
Body Harness .....	44	
Door Harness .....	46	
Room Lamp Harness .....	50	
<b>CONNECTOR INFORMATION</b> .....	51	
How to Read Connector Type .....	51	
B Body Harness .....	52	
D Door Harness .....	65	
E Engine Room Harness .....	71	
F Engine Control Harness .....	79	
M Main Harness .....	89	
R Room Lamp Harness .....	107	
<b>HARNES CONNECTOR</b> .....	109	
Description .....	109	
<b>STANDARDIZED RELAY</b> .....	112	
Description .....	112	
<b>FUSE BLOCK - JUNCTION BOX (J/B)</b> .....	114	
Fuse, Connector and Terminal Arrangement .....	114	
<b>FUSE, FUSIBLE LINK AND RELAY BOX</b> .....	115	
Fuse and Fusible Link Arrangement .....	115	
<b>IPDM E/R (INTELLIGENT POWER DISTRIBUTION MODULE ENGINE ROOM)</b> .....	116	
Fuse, Connector and Terminal Arrangement .....	116	

A  
B  
C  
D  
E  
F  
G  
H  
I  
J  
K  
L  
PG  
N  
O  
P



<b>PRECAUTION</b> .....	117	<b>BATTERY</b> .....	119
<b>PRECAUTIONS</b> .....	117	Exploded View .....	119
Precaution for Supplemental Restraint System (SRS) "AIR BAG" and "SEAT BELT PRE-TEN- SIONER" .....	117	Removal and Installation .....	119
Precaution for Procedure without Cowl Top Cover.	117	<b>BATTERY TERMINAL WITH FUSIBLE LINK..</b>	121
<b>PREPARATION</b> .....	118	Exploded View .....	121
<b>PREPARATION</b> .....	118	Removal and Installation .....	121
Special Service Tools .....	118	<b>SERVICE DATA AND SPECIFICATIONS</b>	
<b>REMOVAL AND INSTALLATION</b> .....	119	<b>(SDS)</b> .....	122
		<b>SERVICE DATA AND SPECIFICATIONS</b>	
		<b>(SDS)</b> .....	122
		Battery .....	122

## BASIC INSPECTION

### BATTERY

#### How to Handle Battery

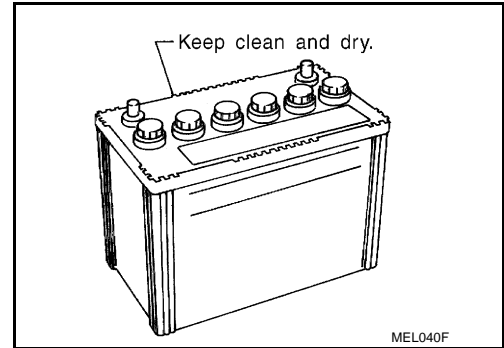
INFOID:000000008294858

**CAUTION:**

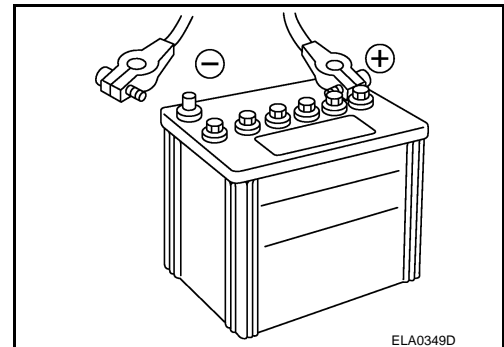
- If it becomes necessary to start the engine with a booster battery and jumper cables, use a 12-volt booster battery.
- After connecting battery cables, ensure that they are tightly clamped to battery terminals for good contact.
- Never add distilled water through the hole used to check specific gravity.

#### METHODS OF PREVENTING OVER-DISCHARGE

- The following precautions must be taken to prevent over-discharging a battery.
- The battery surface (particularly its top) should always be kept clean and dry.
  - The terminal connections should be clean and tight.
  - At every routine maintenance, check the electrolyte level.  
This also applies to batteries designated as "low maintenance" and "maintenance-free".



- When the vehicle is not going to be used over a long period of time, disconnect the battery cable from the negative terminal. (If the vehicle has an extended storage switch, turn it off.)



#### Work Flow

INFOID:000000008294859

#### BATTERY DIAGNOSIS WITH EXP-800 NI OR GR8-1200 NI

To diagnose and confirm the condition of the battery, use the following special service tools:

- EXP-800 NI Battery and electrical diagnostic analyzer
- GR8-1200 NI Multitasking battery and electrical diagnostic station

**NOTE:**

Refer to the applicable instruction manual for proper battery diagnosis procedures.

#### BATTERY DIAGNOSIS WITHOUT EXP-800 NI OR GR8-1200 NI

##### Check Electrolyte Level

**WARNING:**

Never allow battery fluid to come in contact with skin, eyes, fabrics, or painted surfaces. After touching a battery, never touch or rub your eyes until you have thoroughly washed your hands. If acid contacts eyes, skin or clothing, immediately flush with water for 15 minutes and seek medical attention. Failure to do this may cause personal injury or damage to clothing or the painted surfaces.

A  
B  
C  
D  
E  
F  
G  
H  
I  
J  
K  
L

PG

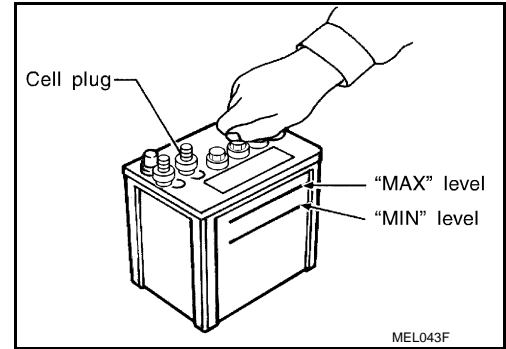
N  
O  
P

# BATTERY

## [POWER SUPPLY & GROUND CIRCUIT]

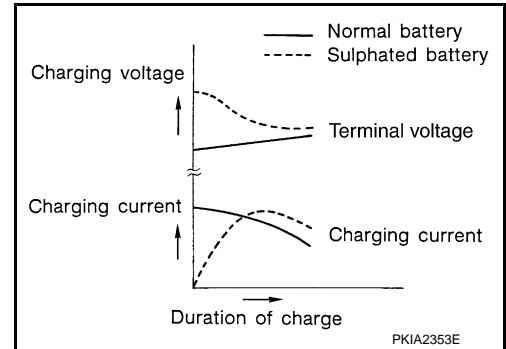
### < BASIC INSPECTION >

- Remove the cell plug using a suitable tool.
- Add distilled water up to the MAX level.



### SULPHATION

- A battery will be completely discharged if it is left unattended for a long time and the specific gravity will become less than 1.100. This may result in sulphation on the cell plates.
- To determine if a battery has been “sulphated”, note its voltage and current when charging it. As shown in the figure, less current and higher voltage are observed in the initial stage of charging sulphated batteries.
- A sulphated battery may sometimes be brought back into service by means of a long, slow charge, 12 hours or more, followed by a battery capacity test.



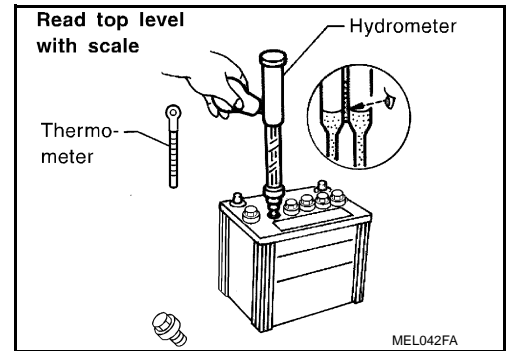
### Specific Gravity Check

#### NOTE:

Check the charge condition of the battery.

Periodically check the specific gravity of the electrolyte. Keep a close check on charge condition to prevent over-discharge.

1. Read hydrometer and thermometer indications at eye level.
2. Use the chart below to correct your hydrometer reading according to electrolyte temperature.



### Hydrometer Temperature Correction

Battery electrolyte temperature [°C (°F)]	Add to specific gravity reading
71 (160)	0.032
66 (150)	0.028
60 (140)	0.024
54 (130)	0.020
49 (120)	0.016
43 (110)	0.012
38 (100)	0.008
32 (90)	0.004
27 (80)	0
21 (70)	-0.004
16 (60)	-0.008
10 (50)	-0.012

# BATTERY

< BASIC INSPECTION >

[POWER SUPPLY & GROUND CIRCUIT]

Battery electrolyte temperature [°C (°F)]	Add to specific gravity reading
4 (40)	-0.016
-1 (30)	-0.020
-7 (20)	-0.024
-12 (10)	-0.028
-18 (0)	-0.032

Corrected specific gravity	Approximate charge condition
1.260 - 1.280	Fully charged
1.230 - 1.250	3/4 charged
1.200 - 1.220	1/2 charged
1.170 - 1.190	1/4 charged
1.140 - 1.160	Almost discharged
1.110 - 1.130	Completely discharged

## Charging The Battery

### CAUTION:

- **Never “quick charge” a fully discharged battery.**
- **Keep the battery away from open flame while it is being charged.**
- **When connecting the charger, connect the leads first, then turn on the charger. Never turn on the charger first, as this may cause a spark.**
- **If battery electrolyte temperature rises above 55 °C (131 °F), stop charging. Always charge battery at a temperature below 55 °C (131 °F).**

### Charging Rates (Standard Charge)

Approximate charge condition	Charge current (A)	Charge time (h)
Fully charged	5	2
3/4 charged		2.5
1/2 charged		5
1/4 charged		7.5
Almost discharged		9
Completely discharged		10

### Charging Rates (Quick Charge)

Approximate charge condition	Charge current (A)	Charge time (h)
Fully charged	—	—
3/4 charged	13	0.5
1/2 charged	26	
1/4 charged		
Almost discharged	—	—
Completely discharged	—	—

### NOTE:

The ammeter reading on your battery charger will automatically decrease as the battery charges. This indicates that the voltage of the battery is increasing normally as the state of charge improves. The charging amps indicated above refer to initial charge rate.

- If, after charging, the specific gravity of any two cells varies more than 0.050, the battery should be replaced.

A  
B  
C  
D  
E  
F  
G  
H  
I  
J  
K  
L  
N  
O  
P

PG

# POWER SUPPLY ROUTING CIRCUIT

< DTC/CIRCUIT DIAGNOSIS >

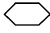
[POWER SUPPLY & GROUND CIRCUIT]

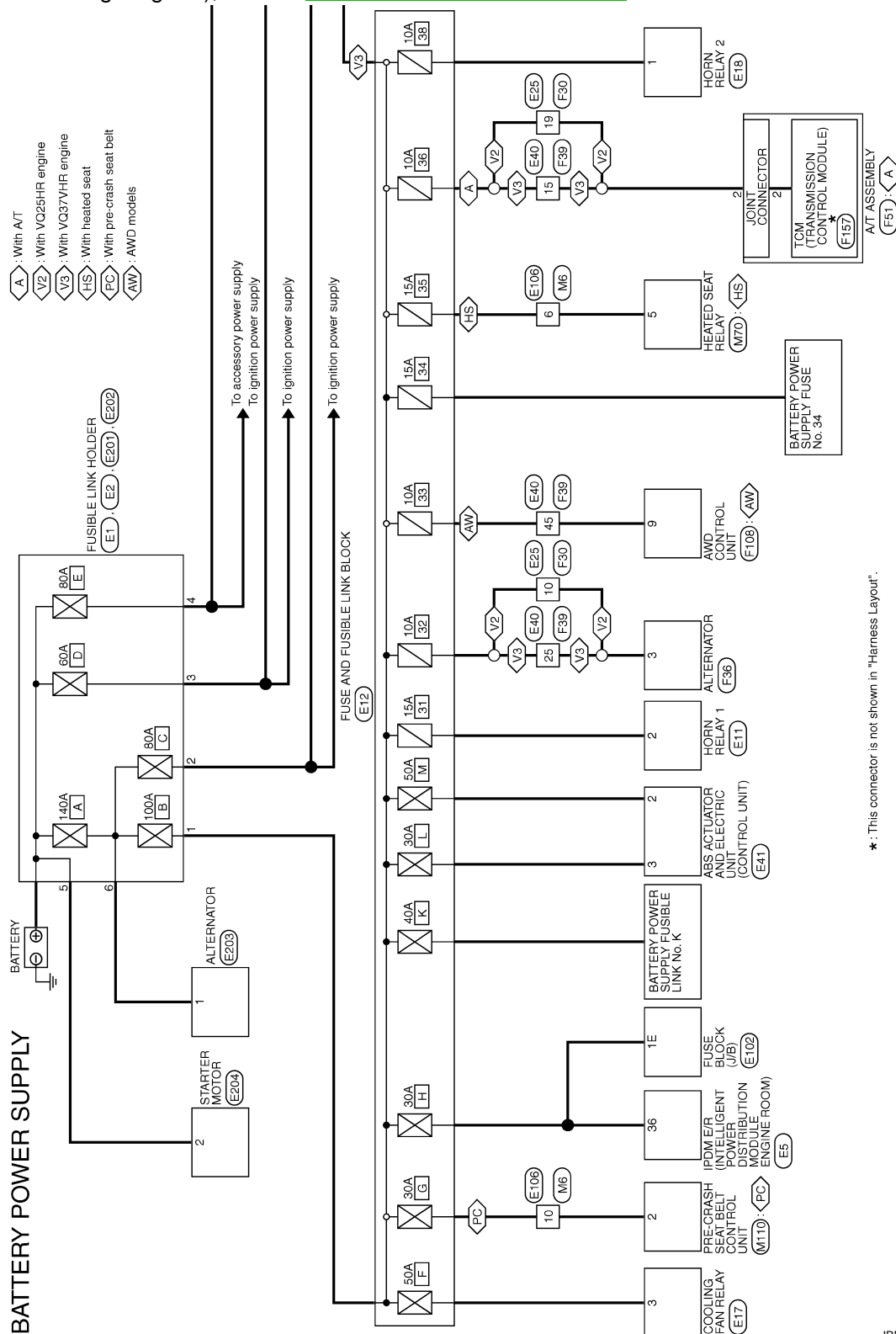
## DTC/CIRCUIT DIAGNOSIS

### POWER SUPPLY ROUTING CIRCUIT

#### Wiring Diagram - BATTERY POWER SUPPLY -

INFOID:000000008294860

For connector terminal arrangements, harness layouts, and alphabets in a  (option abbreviation; if not described in wiring diagram), refer to [GI-12, "Connector Information"](#).



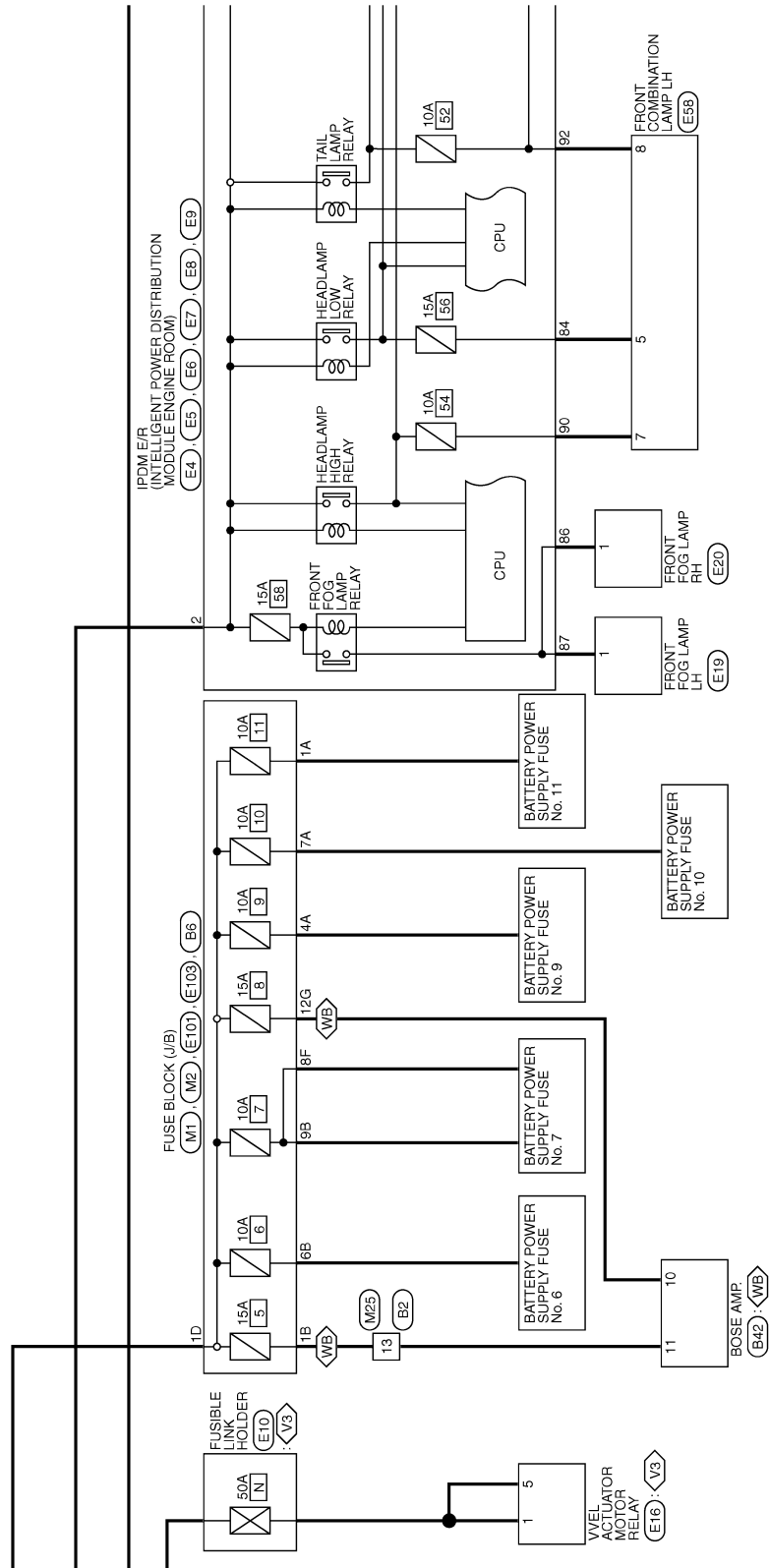
\* : This connector is not shown in "Harness Layout".

# POWER SUPPLY ROUTING CIRCUIT

< DTC/CIRCUIT DIAGNOSIS >

[POWER SUPPLY & GROUND CIRCUIT]

V3 : With VQ37VHR engine  
WB : With BOSE system



JRMWD3157GB

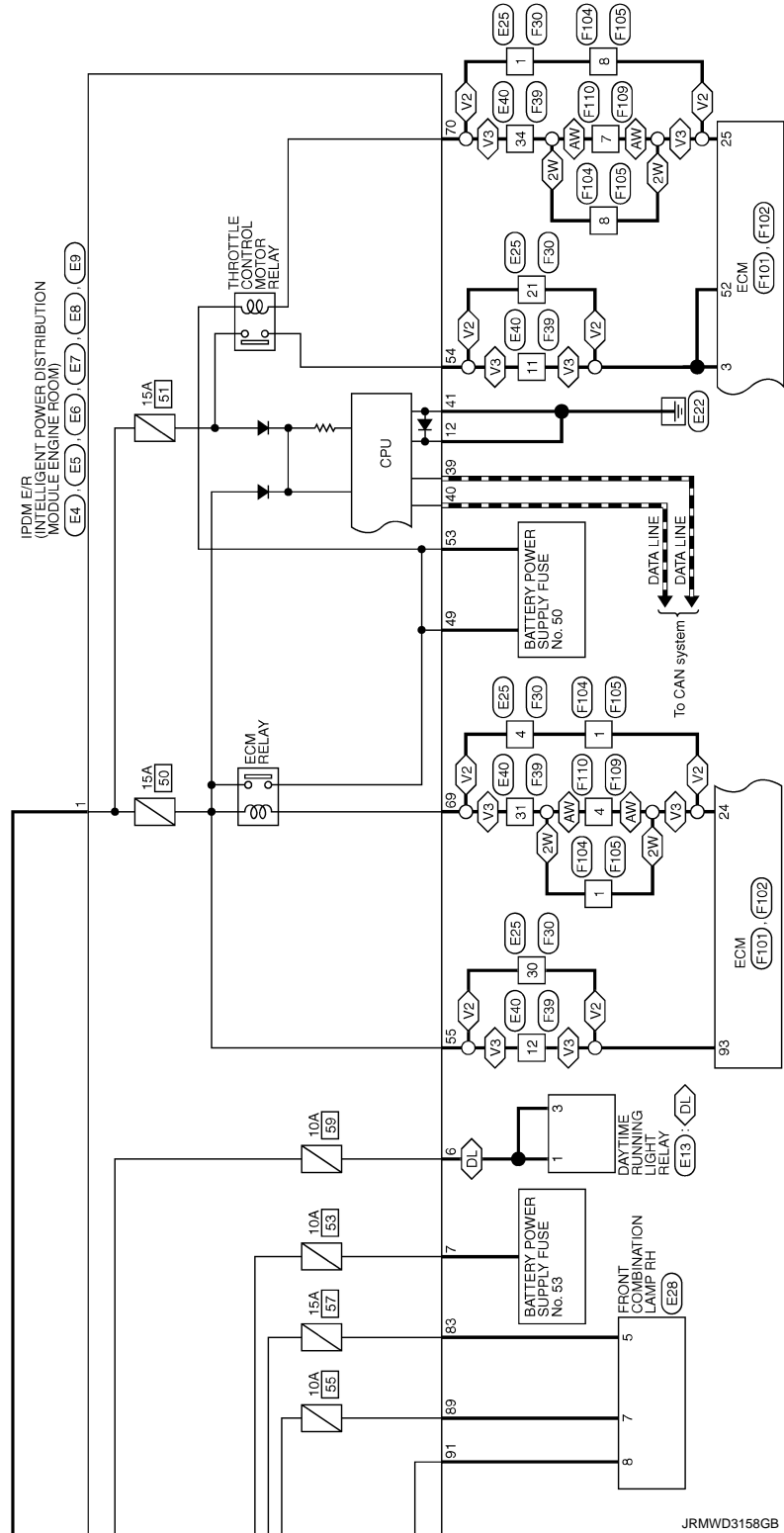
A  
B  
C  
D  
E  
F  
G  
H  
I  
J  
K  
L  
PG  
N  
O  
P

# POWER SUPPLY ROUTING CIRCUIT

< DTC/CIRCUIT DIAGNOSIS >

[POWER SUPPLY & GROUND CIRCUIT]

- : With VQ25HR engine
- : With VQ37VHR engine
- : With daytime running light system
- : 2WD models
- : AWD models





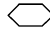
# POWER SUPPLY ROUTING CIRCUIT

< DTC/CIRCUIT DIAGNOSIS >


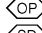
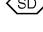
[POWER SUPPLY & GROUND CIRCUIT]

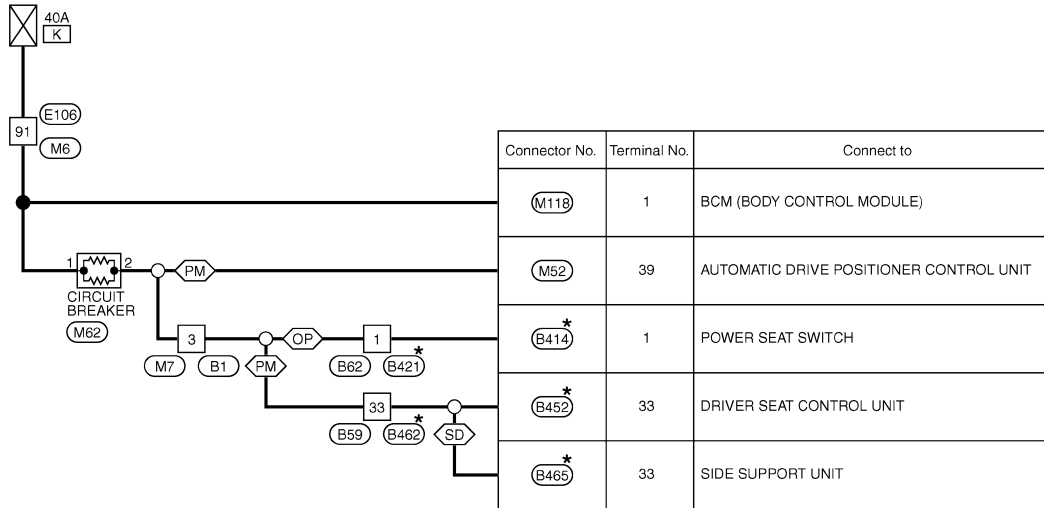
## Wiring Diagram - BATTERY POWER SUPPLY FUSIBLE LINK No. K -

INFOID:000000008294861

For connector terminal arrangements, harness layouts, and alphabets in a  (option abbreviation; if not described in wiring diagram), refer to [GI-12, "Connector Information"](#).

### BATTERY POWER SUPPLY FUSIBLE LINK No. K

-  : With automatic drive positioner
-  : Without automatic drive positioner
-  : With side support



\* : This connector is not shown in "Harness Layout".

2010/08/18

JCMWM9783GB

A  
B  
C  
D  
E  
F  
G  
H  
I  
J  
K  
L  
PG  
N  
O  
P

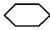
# POWER SUPPLY ROUTING CIRCUIT

< DTC/CIRCUIT DIAGNOSIS >


[POWER SUPPLY & GROUND CIRCUIT]

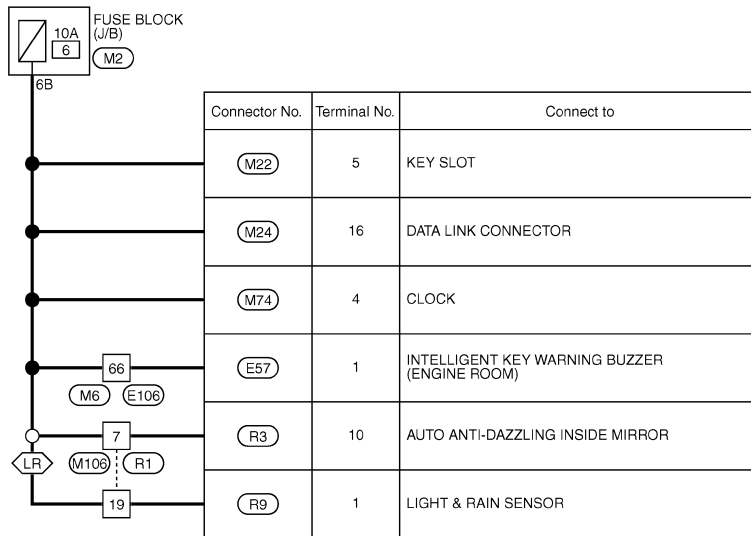
## Wiring Diagram - BATTERY POWER SUPPLY FUSE No. 6 -

INFOID:000000008294862

For connector terminal arrangements, harness layouts, and alphabets in a  (option abbreviation; if not described in wiring diagram), refer to [GI-12, "Connector Information"](#).

### BATTERY POWER SUPPLY FUSE No. 6

 : With light & rain sensor



2010/08/18

JCMWM9787GB

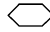
# POWER SUPPLY ROUTING CIRCUIT

< DTC/CIRCUIT DIAGNOSIS >

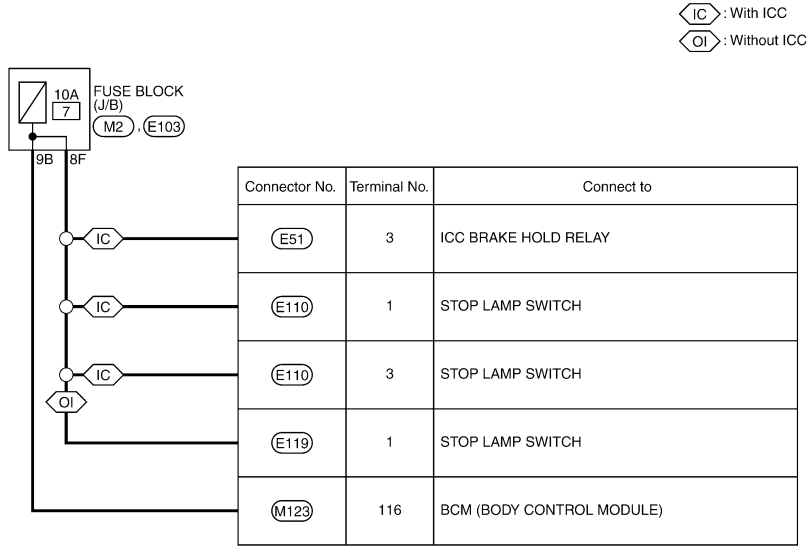
[POWER SUPPLY & GROUND CIRCUIT]

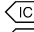
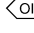
## Wiring Diagram - BATTERY POWER SUPPLY FUSE No. 7 -

INFOID:000000008294863

For connector terminal arrangements, harness layouts, and alphabets in a  (option abbreviation; if not described in wiring diagram), refer to [GI-12, "Connector Information"](#).

### BATTERY POWER SUPPLY FUSE No. 7



 : With ICC  
 : Without ICC

A  
B  
C  
D  
E  
F  
G  
H  
I  
J  
K  
L  
PG  
N  
O  
P

2009/10/30

JCMWM5824GB

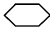
# POWER SUPPLY ROUTING CIRCUIT

< DTC/CIRCUIT DIAGNOSIS >

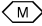
[POWER SUPPLY & GROUND CIRCUIT]

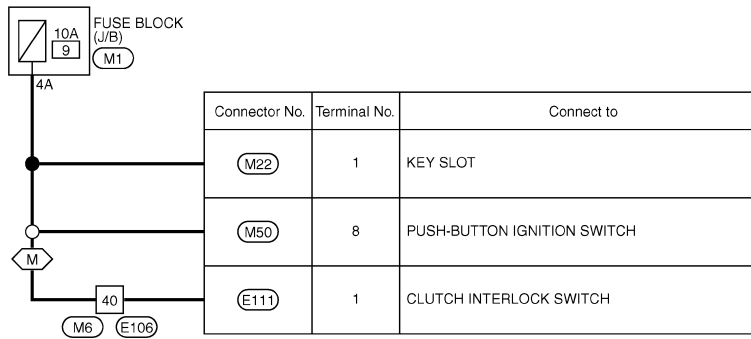
## Wiring Diagram - BATTERY POWER SUPPLY FUSE No. 9 -

INFOID:000000008294864

For connector terminal arrangements, harness layouts, and alphabets in a  (option abbreviation; if not described in wiring diagram), refer to [GI-12, "Connector Information"](#).

### BATTERY POWER SUPPLY FUSE No. 9

 : With M/T



2010/08/18

JCMWM9791GB

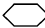
# POWER SUPPLY ROUTING CIRCUIT

< DTC/CIRCUIT DIAGNOSIS >


[POWER SUPPLY & GROUND CIRCUIT]

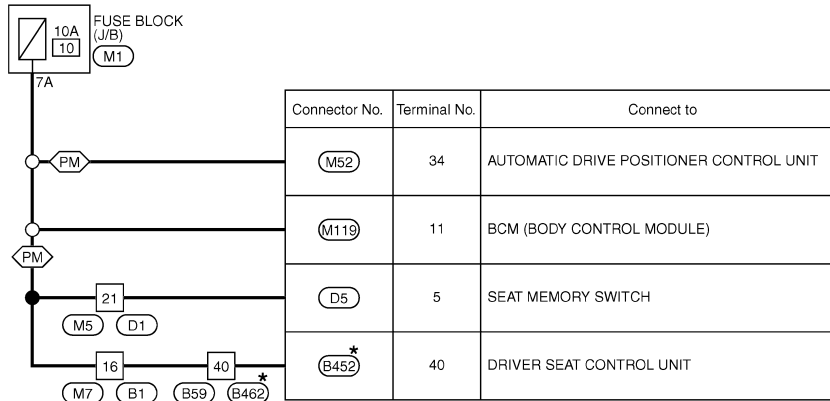
## Wiring Diagram - BATTERY POWER SUPPLY FUSE No. 10 -

INFOID:000000008294865

For connector terminal arrangements, harness layouts, and alphabets in a  (option abbreviation; if not described in wiring diagram), refer to [GI-12, "Connector Information"](#).

### BATTERY POWER SUPPLY FUSE No. 10

 : With automatic drive positioner



\* : This connector is not shown in "Harness Layout".

2010/08/18

JCMWM9794GB

A  
B  
C  
D  
E  
F  
G  
H  
I  
J  
K  
L  
PG  
N  
O  
P

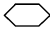
# POWER SUPPLY ROUTING CIRCUIT

< DTC/CIRCUIT DIAGNOSIS >


[POWER SUPPLY & GROUND CIRCUIT]

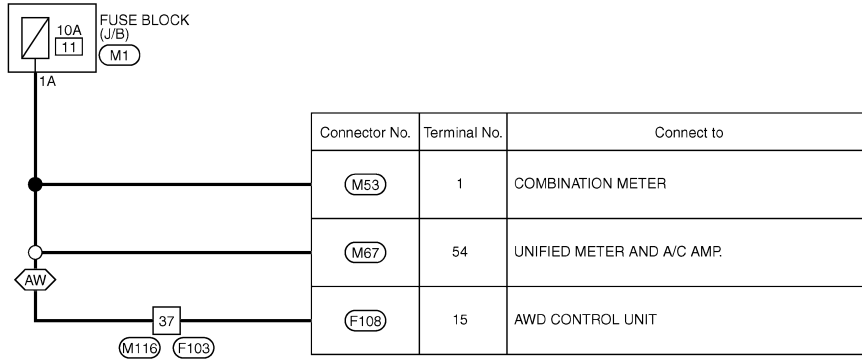
## Wiring Diagram - BATTERY POWER SUPPLY FUSE No. 11 -

INFOID:000000008294866

For connector terminal arrangements, harness layouts, and alphabets in a  (option abbreviation; if not described in wiring diagram), refer to [GI-12, "Connector Information"](#).

### BATTERY POWER SUPPLY FUSE No. 11

 : AWD models



2008/08/07

JCMWA3067GB

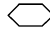
# POWER SUPPLY ROUTING CIRCUIT

< DTC/CIRCUIT DIAGNOSIS >

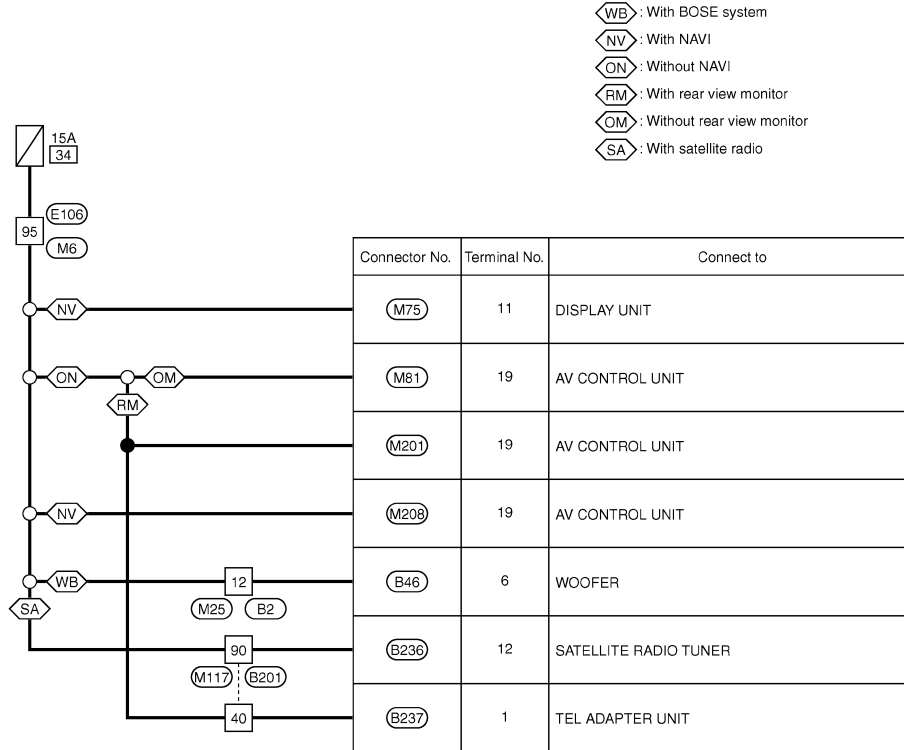
[POWER SUPPLY & GROUND CIRCUIT]




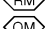
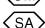

## Wiring Diagram - BATTERY POWER SUPPLY FUSE No. 34 -

INFOID:000000008294867

For connector terminal arrangements, harness layouts, and alphabets in a  (option abbreviation; if not described in wiring diagram), refer to [GI-12, "Connector Information"](#).

### BATTERY POWER SUPPLY FUSE No. 34



-  : With BOSE system
-  : With NAVI
-  : Without NAVI
-  : With rear view monitor
-  : Without rear view monitor
-  : With satellite radio

2012/07/10

JRMWD3160GB

A  
B  
C  
D  
E  
F  
G  
H  
I  
J  
K  
L  
PG  
N  
O  
P

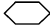
# POWER SUPPLY ROUTING CIRCUIT

## [POWER SUPPLY & GROUND CIRCUIT]

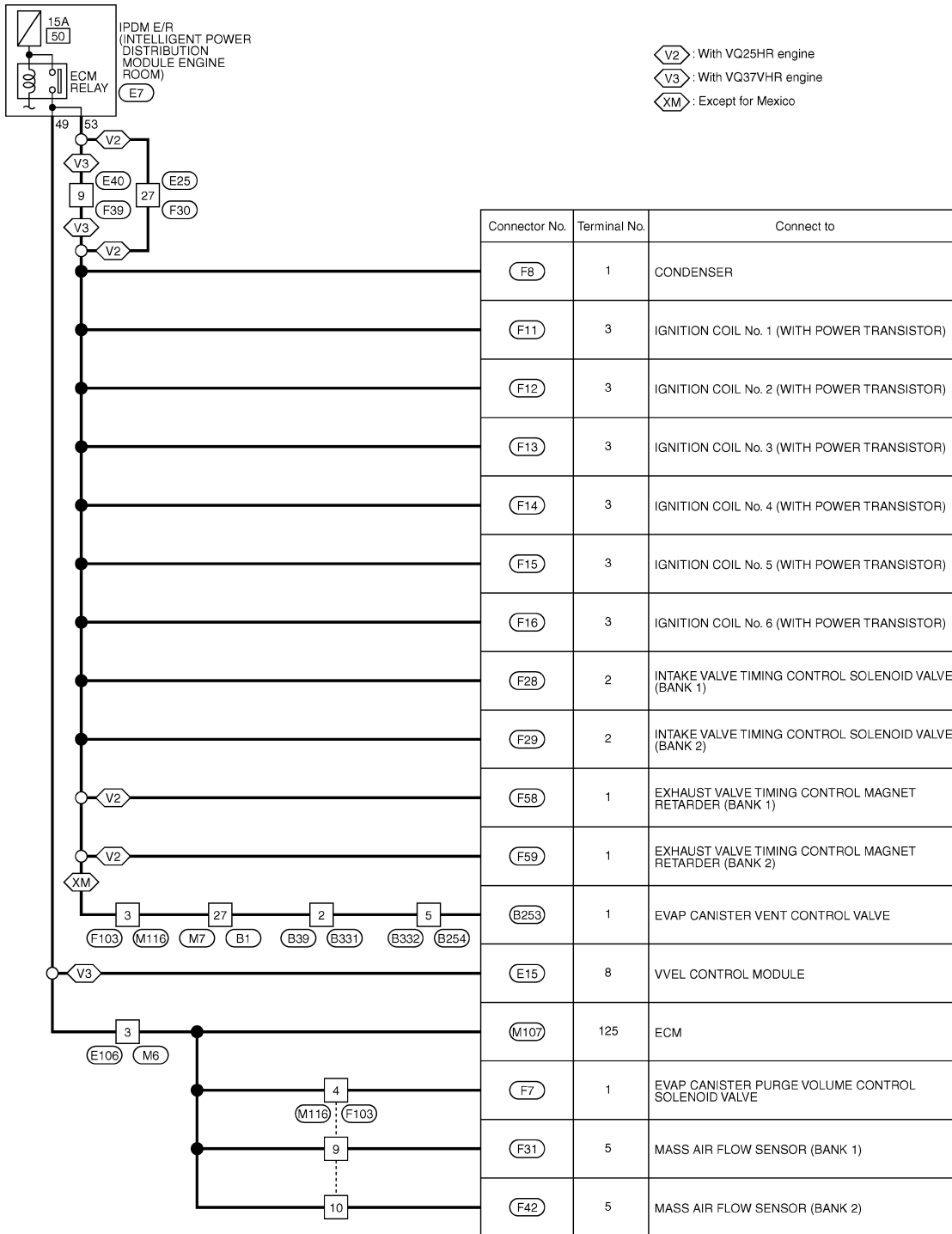
< DTC/CIRCUIT DIAGNOSIS >

### Wiring Diagram - BATTERY POWER SUPPLY FUSE No. 50 -

INFOID:000000008294868

For connector terminal arrangements, harness layouts, and alphabets in a  (option abbreviation; if not described in wiring diagram), refer to [GI-12, "Connector Information"](#).

#### BATTERY POWER SUPPLY FUSE No. 50



2012/07/10

JRMWD3161GB



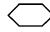
# POWER SUPPLY ROUTING CIRCUIT

## [POWER SUPPLY & GROUND CIRCUIT]

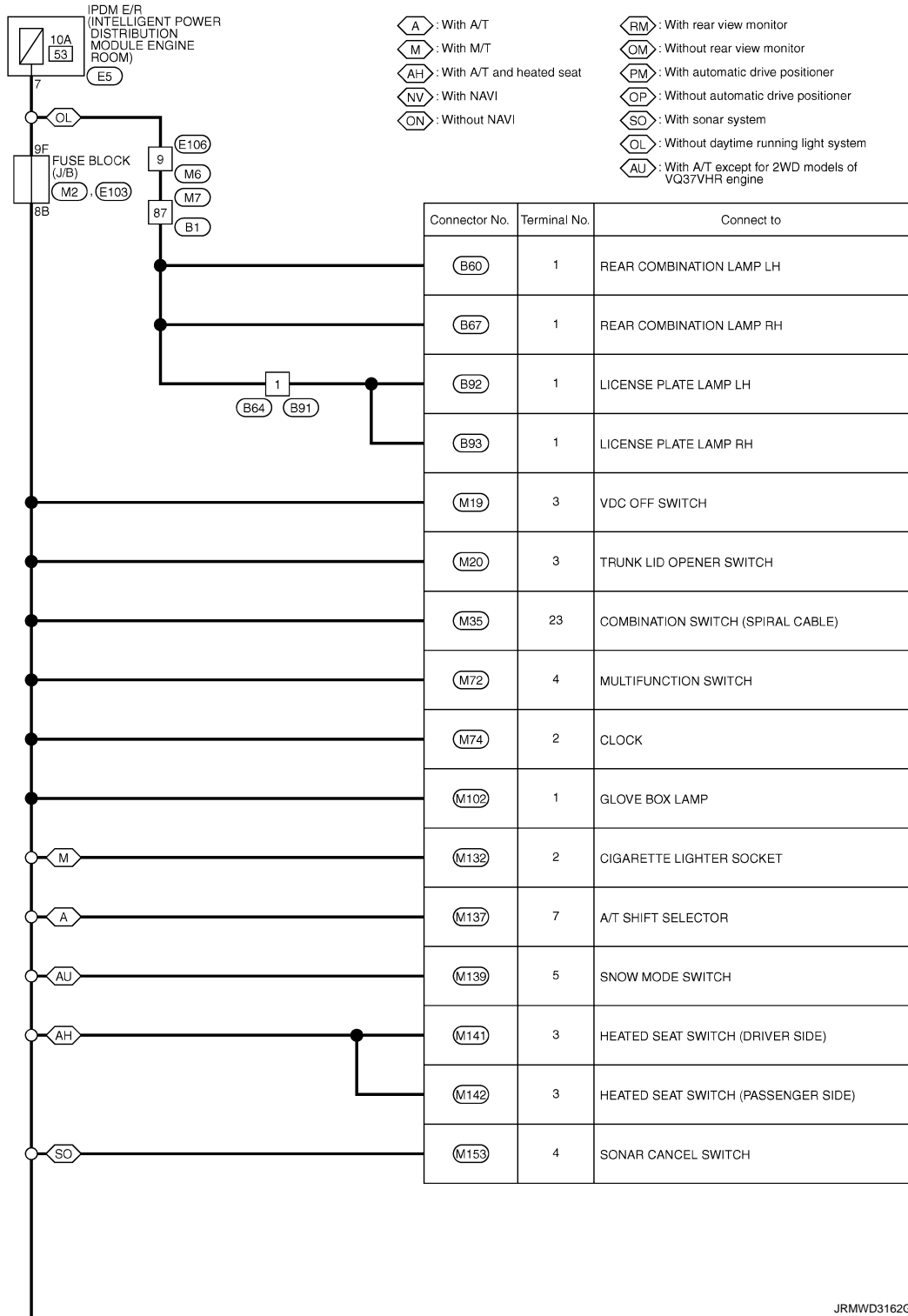
< DTC/CIRCUIT DIAGNOSIS >

### Wiring Diagram - BATTERY POWER SUPPLY FUSE No. 53 -

INFOID:000000008294869

For connector terminal arrangements, harness layouts, and alphabets in a  (option abbreviation; if not described in wiring diagram), refer to [GI-12, "Connector Information"](#).

#### BATTERY POWER SUPPLY FUSE No. 53



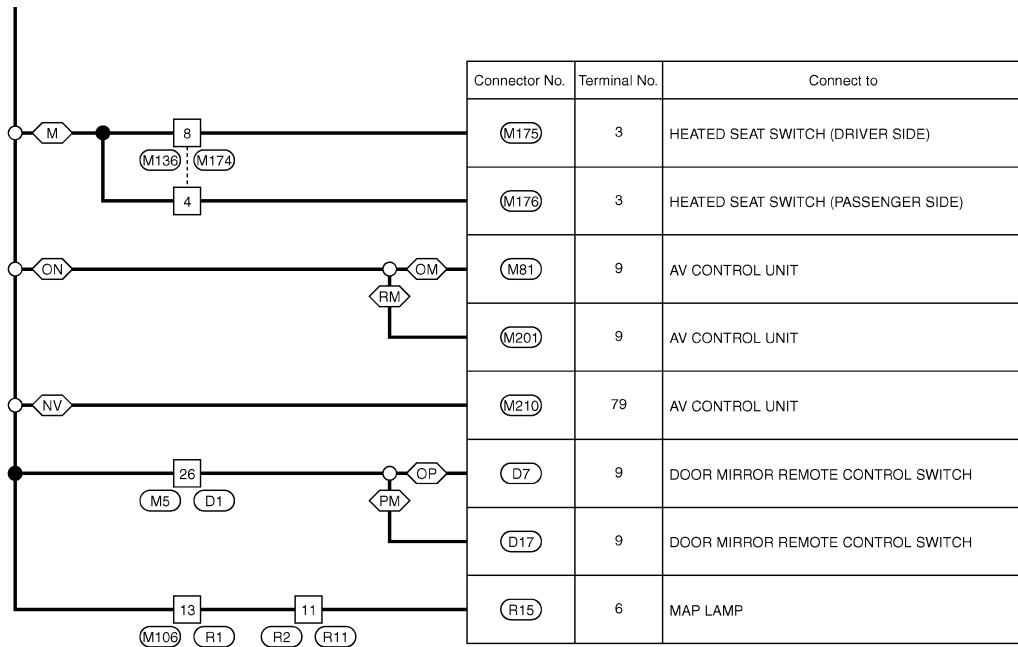
JRMWD3162GB

A  
B  
C  
D  
E  
F  
G  
H  
I  
J  
K  
L  
PG  
N  
O  
P

# POWER SUPPLY ROUTING CIRCUIT

< DTC/CIRCUIT DIAGNOSIS >

[POWER SUPPLY & GROUND CIRCUIT]



2012/07/10

JRMWD3163GB

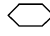
# POWER SUPPLY ROUTING CIRCUIT

< DTC/CIRCUIT DIAGNOSIS >

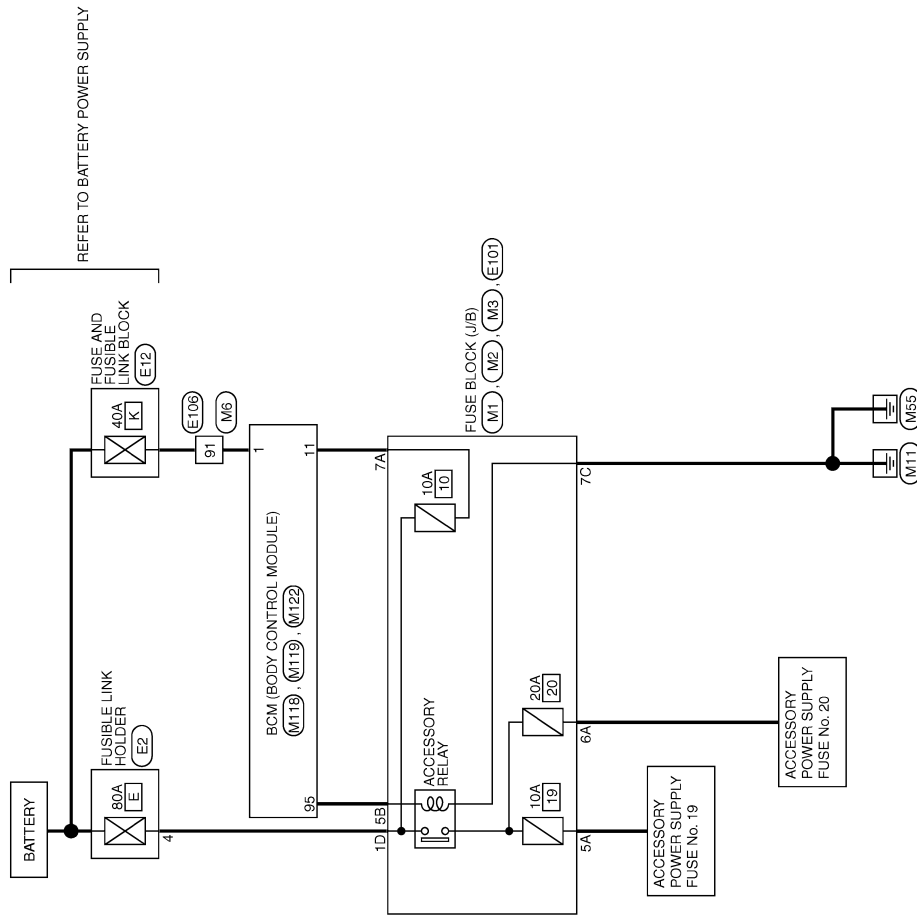
[POWER SUPPLY & GROUND CIRCUIT]

## Wiring Diagram - ACCESSORY POWER SUPPLY -

INFOID:000000008294870

For connector terminal arrangements, harness layouts, and alphabets in a  (option abbreviation; if not described in wiring diagram), refer to [GI-12, "Connector Information"](#).

### ACCESSORY POWER SUPPLY



2012/07/10

JRMWD3164GB

A  
B  
C  
D  
E  
F  
G  
H  
I  
J  
K  
L  
M  
N  
O  
P

PG

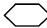
# POWER SUPPLY ROUTING CIRCUIT

< DTC/CIRCUIT DIAGNOSIS >

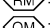
[POWER SUPPLY & GROUND CIRCUIT]

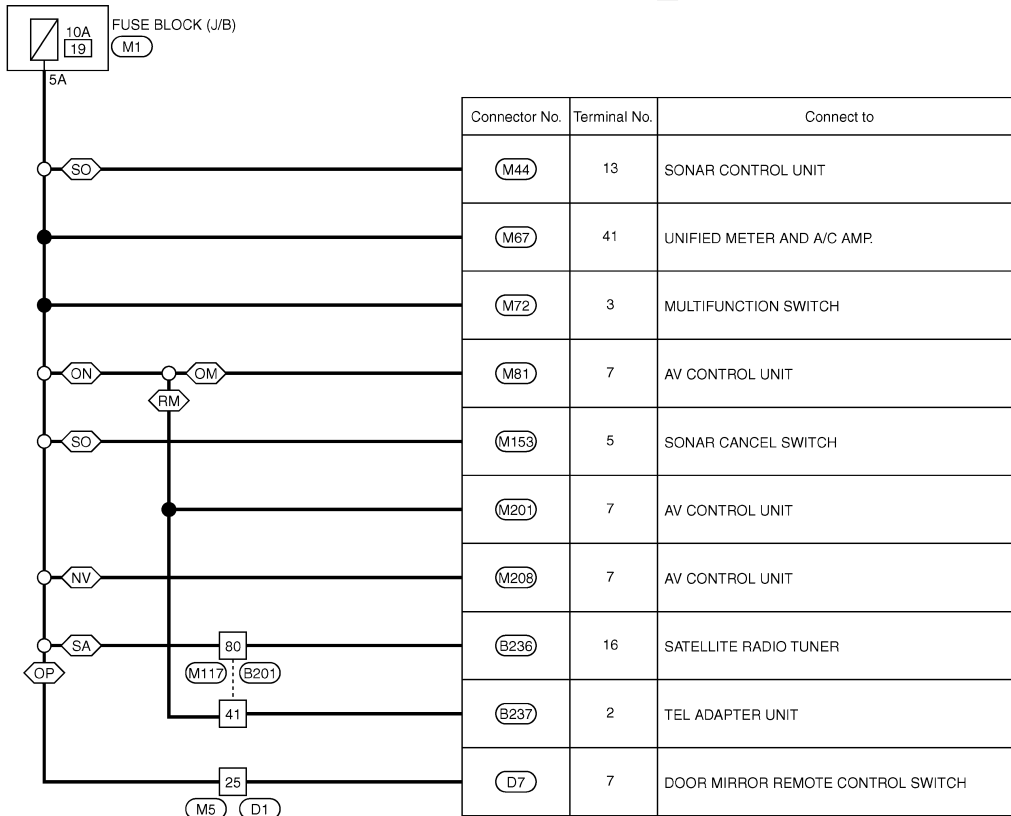
## Wiring Diagram - ACCESSORY POWER SUPPLY FUSE No. 19 -

INFOID:000000008294871

For connector terminal arrangements, harness layouts, and alphabets in a  (option abbreviation; if not described in wiring diagram), refer to [GI-12, "Connector Information"](#).

### ACCESSORY POWER SUPPLY FUSE No. 19

-  : With NAVI
-  : Without NAVI
-  : With rear view monitor
-  : Without rear view monitor
-  : Without automatic drive positioner
-  : With sonar system
-  : With satellite radio



2012/07/10

JRMWD3165GB

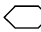
# POWER SUPPLY ROUTING CIRCUIT

< DTC/CIRCUIT DIAGNOSIS >


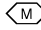
[POWER SUPPLY & GROUND CIRCUIT]

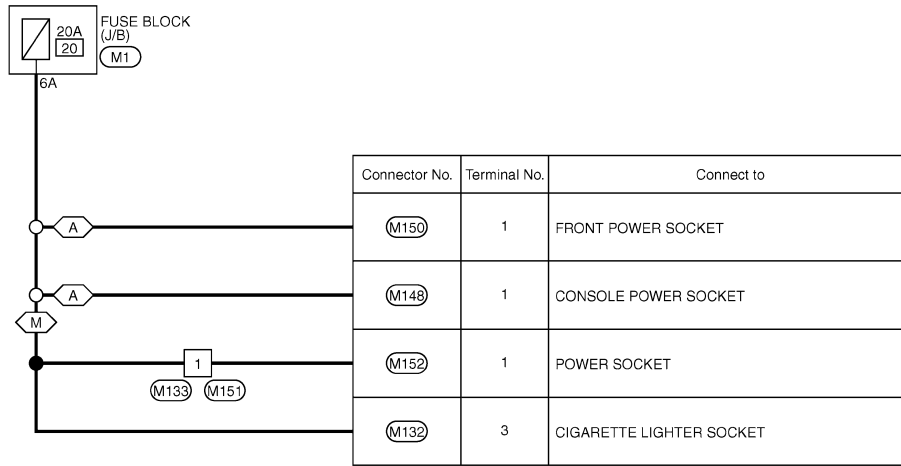
## Wiring Diagram - ACCESSORY POWER SUPPLY FUSE No. 20 -

INFOID:000000008294872

For connector terminal arrangements, harness layouts, and alphabets in a  (option abbreviation; if not described in wiring diagram), refer to [GI-12, "Connector Information"](#).

### ACCESSORY POWER SUPPLY FUSE No. 20

 : With A/T  
 : With M/T



2012/07/10

JRMWD3166GB

A  
B  
C  
D  
E  
F  
G  
H  
I  
J  
K  
L  
PG  
N  
O  
P

# POWER SUPPLY ROUTING CIRCUIT

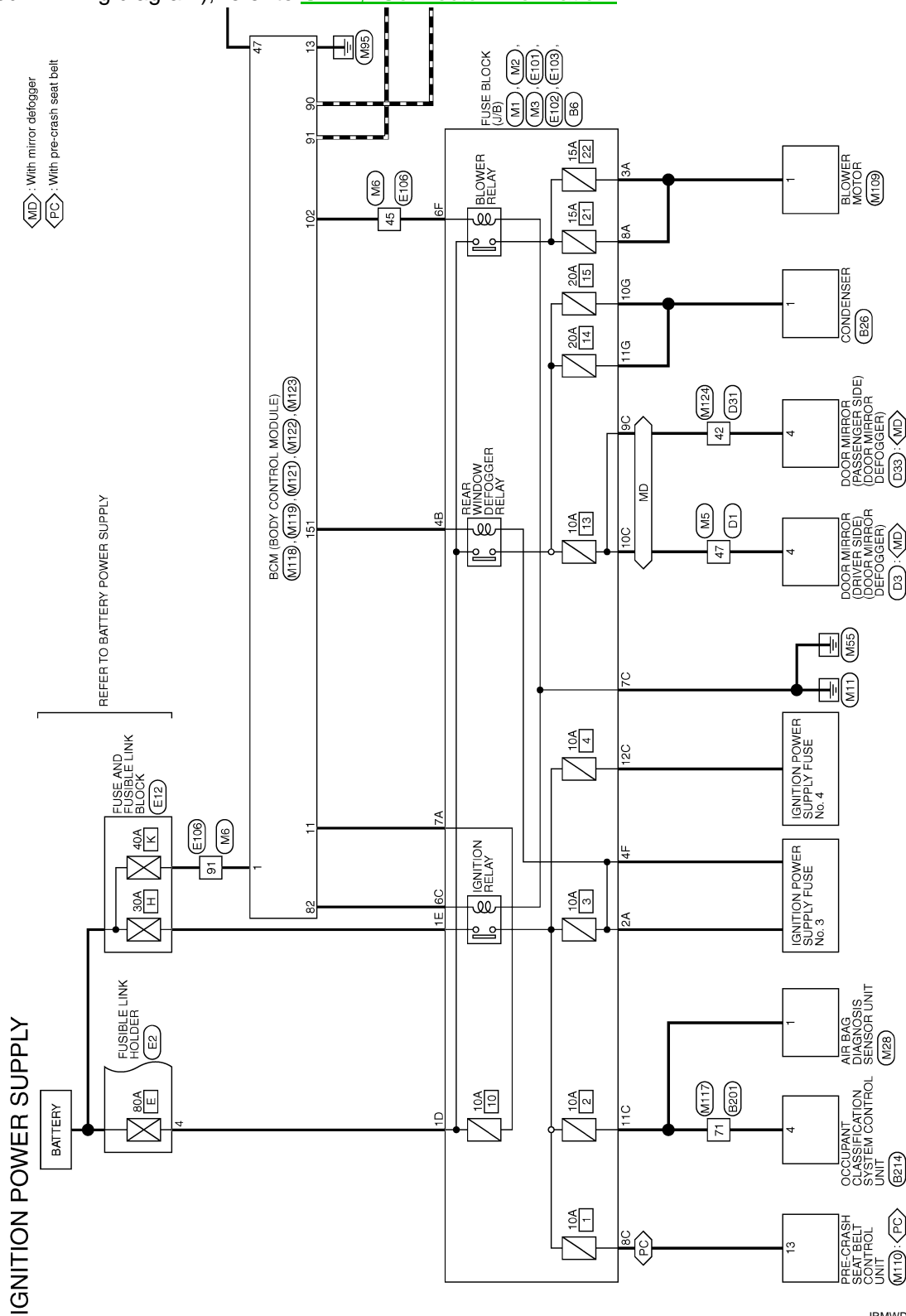
## [POWER SUPPLY & GROUND CIRCUIT]

< DTC/CIRCUIT DIAGNOSIS >

### Wiring Diagram - IGNITION POWER SUPPLY -

INFOID:000000008294873

For connector terminal arrangements, harness layouts, and alphabets in a ◊ (option abbreviation; if not described in wiring diagram), refer to [GI-12, "Connector Information"](#).



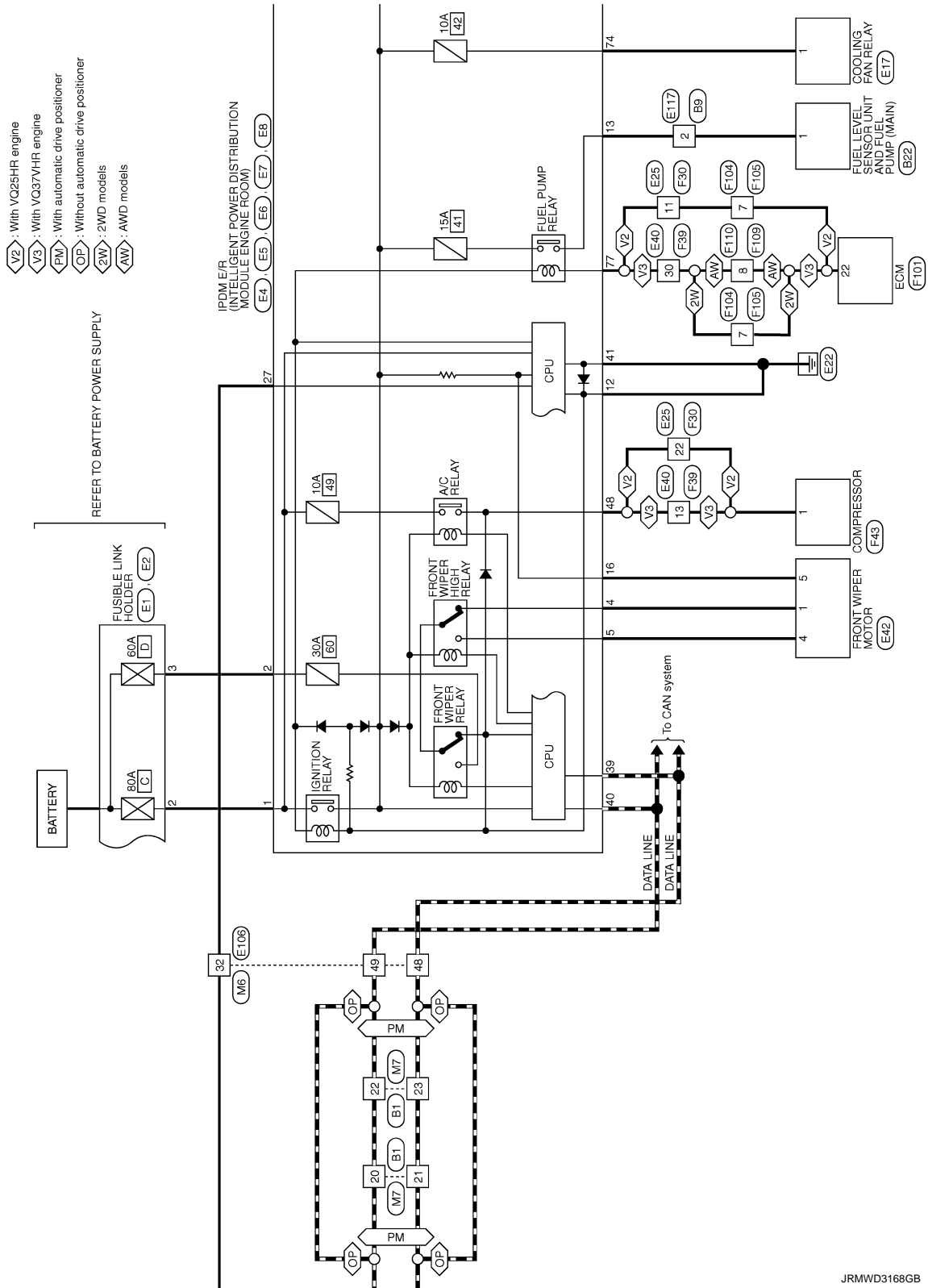
JRMWD3167GB

2012/07/10

# POWER SUPPLY ROUTING CIRCUIT

< DTC/CIRCUIT DIAGNOSIS >

[POWER SUPPLY & GROUND CIRCUIT]



JRMWD3168GB

A  
B  
C  
D  
E  
F  
G  
H  
I  
J  
K  
L  
PG  
N  
O  
P

# POWER SUPPLY ROUTING CIRCUIT

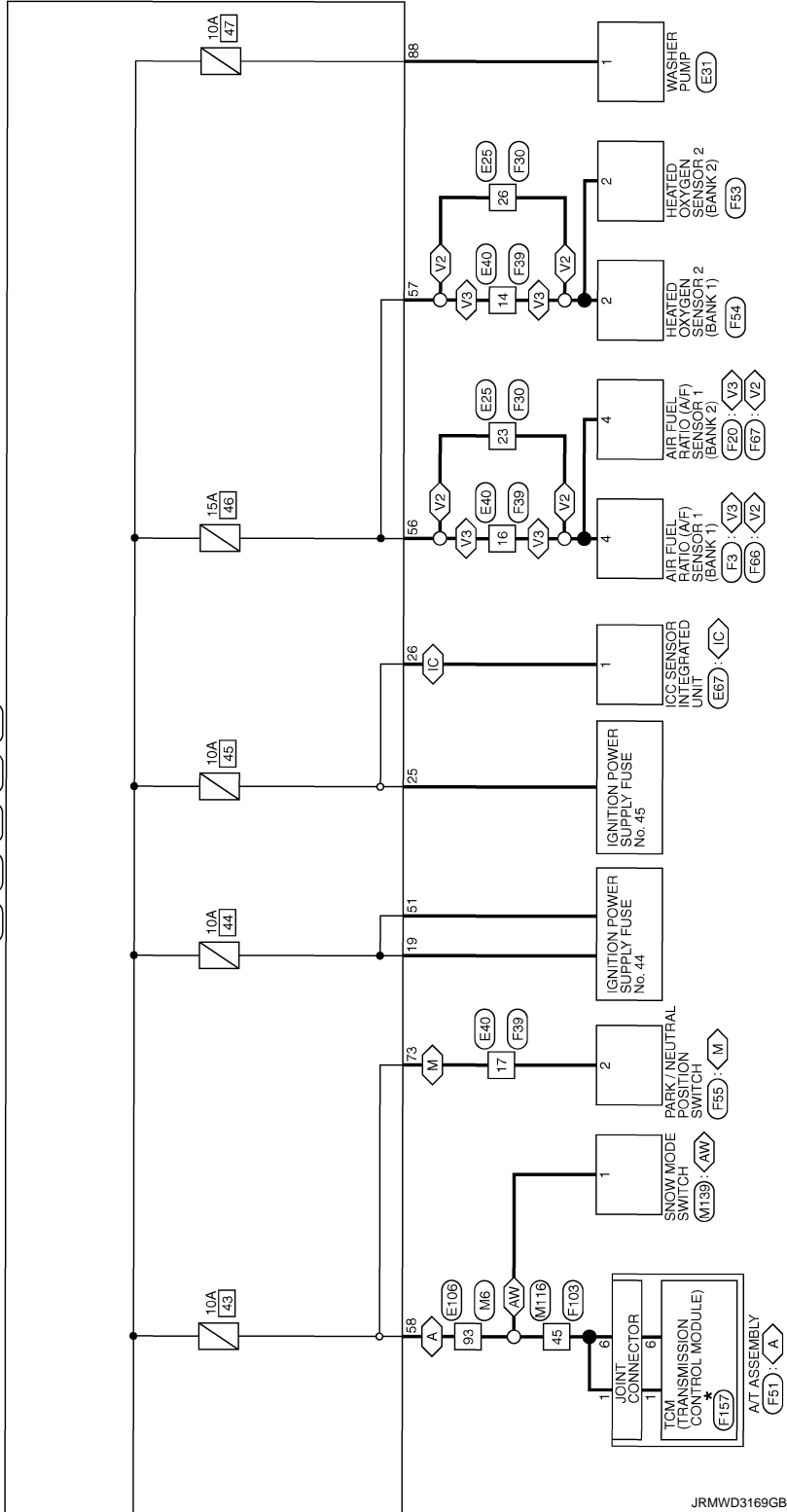
## [POWER SUPPLY & GROUND CIRCUIT]

< DTC/CIRCUIT DIAGNOSIS >

- < A > : With A/T
- < M > : With M/T
- < V2 > : With VQ25HR engine
- < V3 > : With VQ37VHR engine
- < AW > : AWD models
- < IC > : With ICC

\* : This connector is not shown in "Harness Layout".

IPDM/ER  
INTELLIGENT POWER DISTRIBUTION  
MODULE (ENGINE ROOM)  
(E4) (E5) (E6) (E7) (E8)



JRMWD3169GB



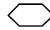
# POWER SUPPLY ROUTING CIRCUIT

< DTC/CIRCUIT DIAGNOSIS >

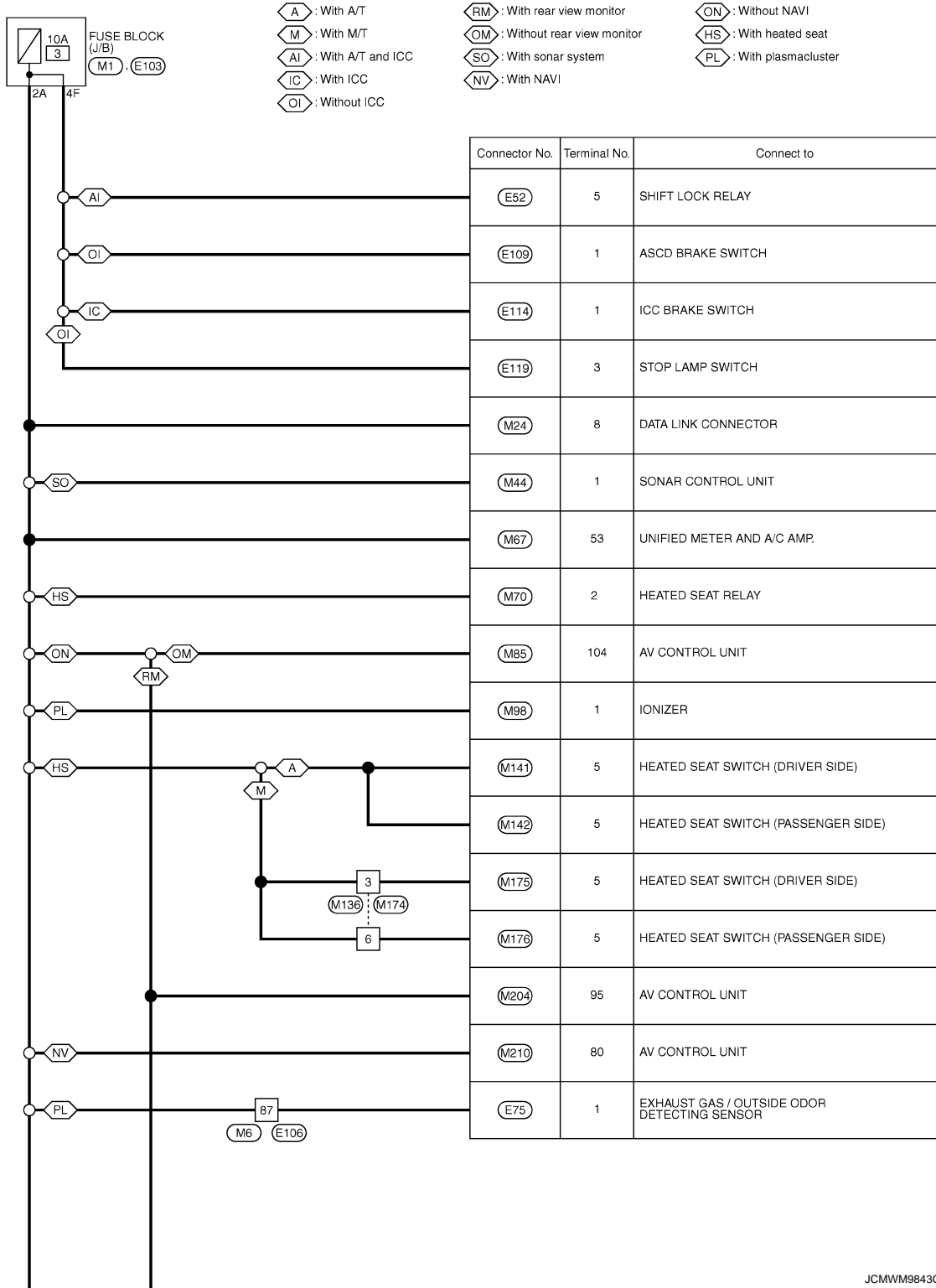
[POWER SUPPLY & GROUND CIRCUIT]

## Wiring Diagram - IGNITION POWER SUPPLY FUSE No. 3 -

INFOID:000000008294874

For connector terminal arrangements, harness layouts, and alphabets in a  (option abbreviation; if not described in wiring diagram), refer to [GI-12, "Connector Information"](#).

### IGNITION POWER SUPPLY FUSE No. 3

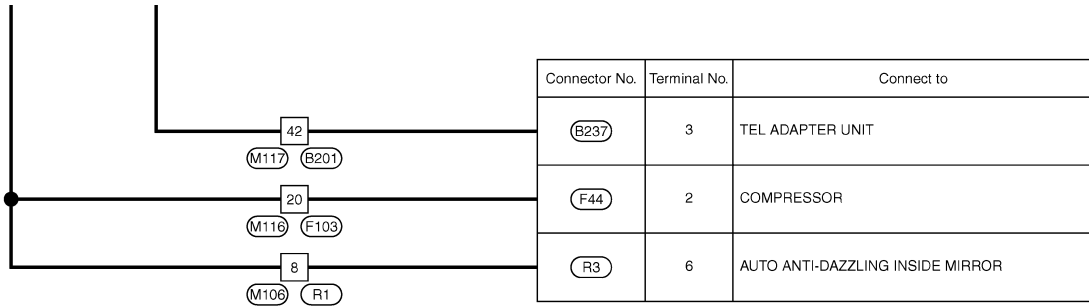


JCMWM9843GB

# POWER SUPPLY ROUTING CIRCUIT

< DTC/CIRCUIT DIAGNOSIS >

[POWER SUPPLY & GROUND CIRCUIT]



Connector No.	Terminal No.	Connect to
B237	3	TEL ADAPTER UNIT
F44	2	COMPRESSOR
R3	6	AUTO ANTI-DAZZLING INSIDE MIRROR

2010/08/18

JCMWM9844GB

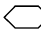
# POWER SUPPLY ROUTING CIRCUIT

< DTC/CIRCUIT DIAGNOSIS >


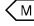
[POWER SUPPLY & GROUND CIRCUIT]

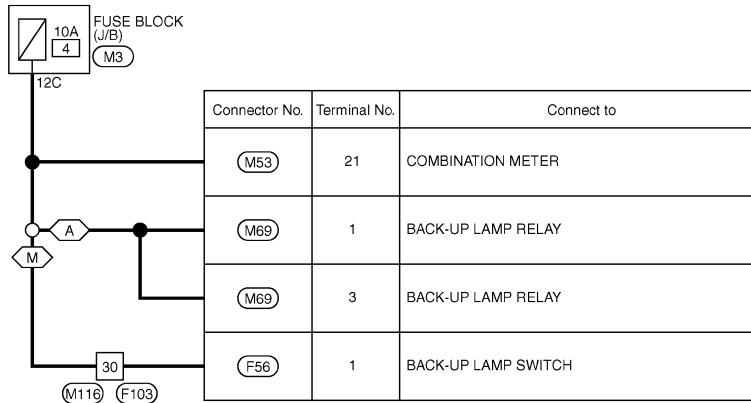
## Wiring Diagram - IGNITION POWER SUPPLY FUSE No. 4 -

INFOID:000000008294875

For connector terminal arrangements, harness layouts, and alphabets in a  (option abbreviation; if not described in wiring diagram), refer to [GI-12, "Connector Information"](#).

### IGNITION POWER SUPPLY FUSE No. 4

 : With A/T  
 : With M/T



A  
B  
C  
D  
E  
F  
G  
H  
I  
J  
K  
L  
PG  
N  
O  
P

2008/08/07

JCMWA3106GB

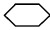
# POWER SUPPLY ROUTING CIRCUIT

< DTC/CIRCUIT DIAGNOSIS >

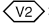
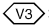
[POWER SUPPLY & GROUND CIRCUIT]

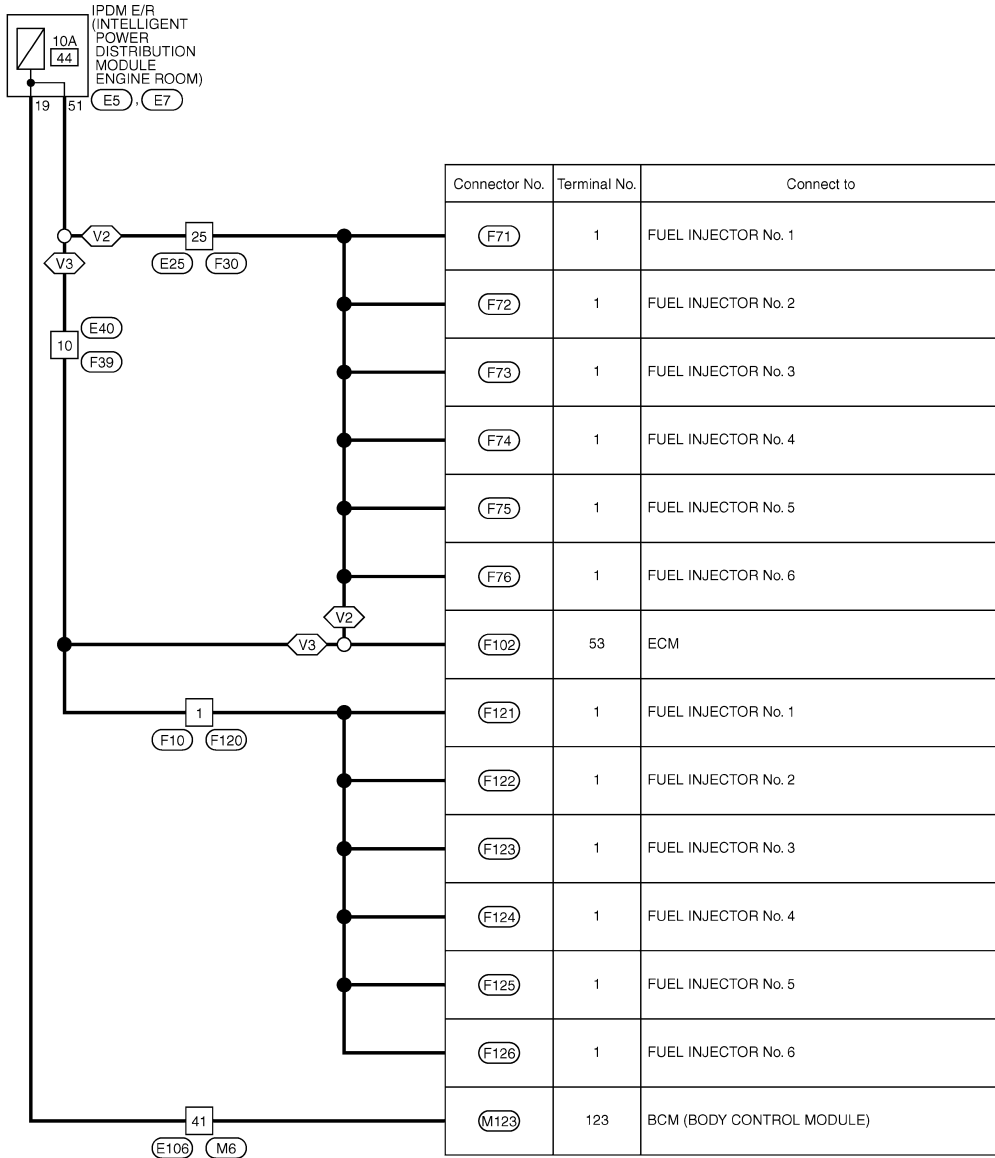
## Wiring Diagram - IGNITION POWER SUPPLY FUSE No. 44 -

INFOID:000000008294876

For connector terminal arrangements, harness layouts, and alphabets in a  (option abbreviation; if not described in wiring diagram), refer to [GI-12, "Connector Information"](#).

### IGNITION POWER SUPPLY FUSE No. 44

 : With VQ25HR engine  
 : With VQ37VHR engine



2010/08/18

JCMWM9852GB

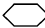
# POWER SUPPLY ROUTING CIRCUIT

< DTC/CIRCUIT DIAGNOSIS >

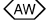
[POWER SUPPLY & GROUND CIRCUIT]

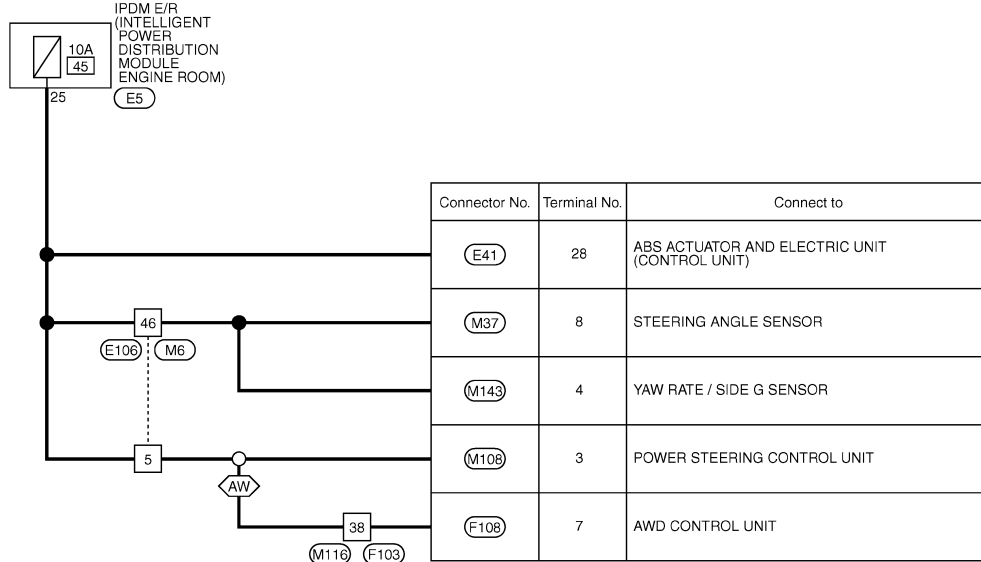
## Wiring Diagram - IGNITION POWER SUPPLY FUSE No. 45 -

INFOID:000000008294877

For connector terminal arrangements, harness layouts, and alphabets in a  (option abbreviation; if not described in wiring diagram), refer to [GI-12, "Connector Information"](#).

### IGNITION POWER SUPPLY FUSE No. 45

 : AWD models



2010/08/18

JCMWM9858GB

A  
B  
C  
D  
E  
F  
G  
H  
I  
J  
K  
L  
N  
O  
P

PG

# POWER SUPPLY ROUTING CIRCUIT

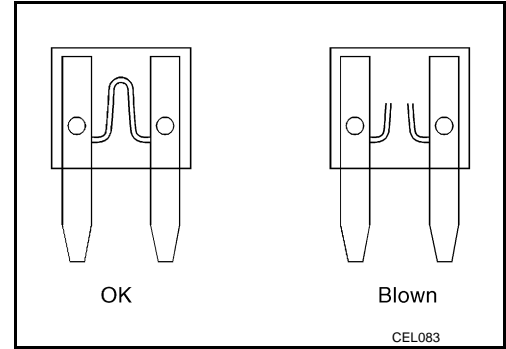
< DTC/CIRCUIT DIAGNOSIS >

[POWER SUPPLY & GROUND CIRCUIT]

## Fuse

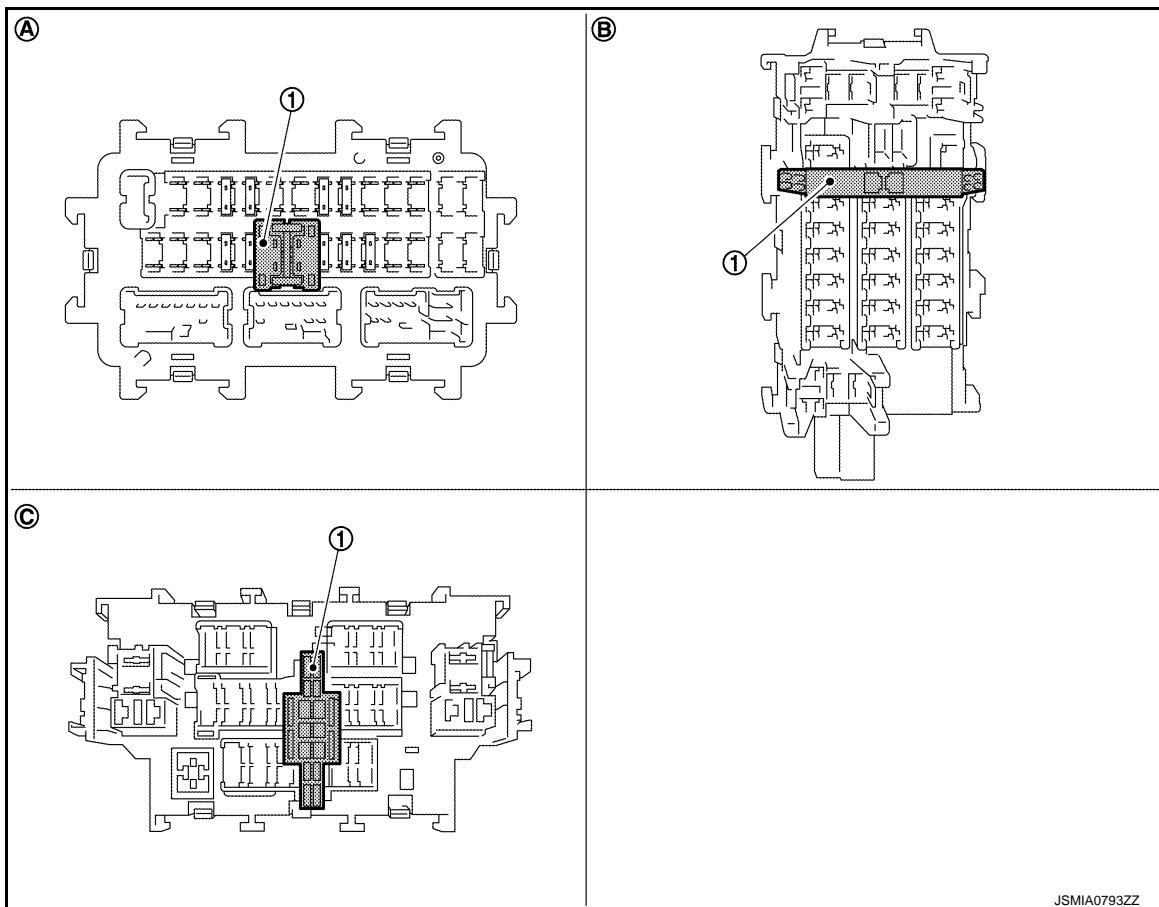
INFOID:000000008294878

- If fuse is blown, be sure to eliminate cause of malfunction before installing new fuse.
- Use fuse of specified rating. Never use fuse of more than specified rating.
- Do not partially install fuse; always insert it into fuse holder properly.
- Remove fuse for "ELECTRICAL PARTS (BAT)" if vehicle is not used for a long period of time.



## EXTENDED STORAGE FUSE SWITCH (IF EQUIPPED)

The following switch may be mounted on the fuse block (Junction Box) for transportation and storage.



1. Extended storage fuse switch

A. Type A

B. Type B

C. Type C

- Remove the extended storage fuse switch when replacing the fuse of extended storage fuse switch.
- Remove the extended storage fuse switch if it causes the interference when the fuse or the other fuses is checked.

How To Extended Storage Fuse Switch ON/OFF

### CAUTION:

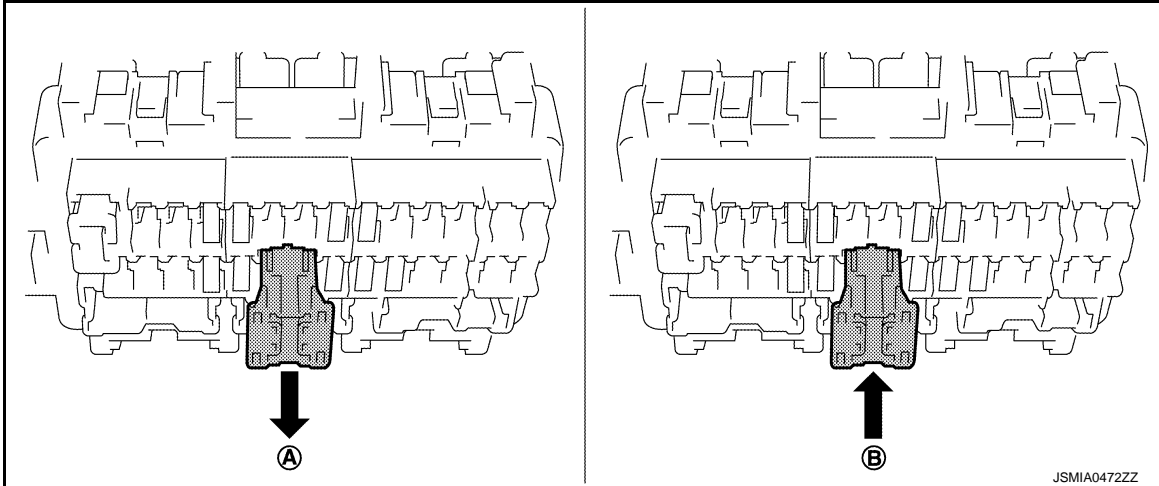
- Turn the ignition switch OFF when operating the extended storage fuse switch.
- Under normal conditions, keep the extended storage fuse switch in ON state. Never operate the extended storage fuse switch except when necessary.

# POWER SUPPLY ROUTING CIRCUIT

< DTC/CIRCUIT DIAGNOSIS >

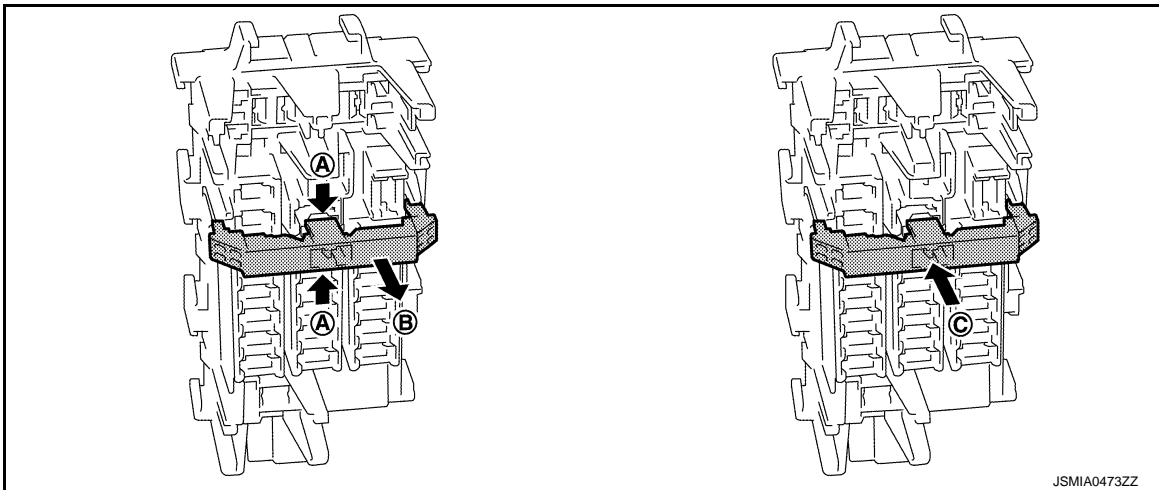
[POWER SUPPLY & GROUND CIRCUIT]

- Type A



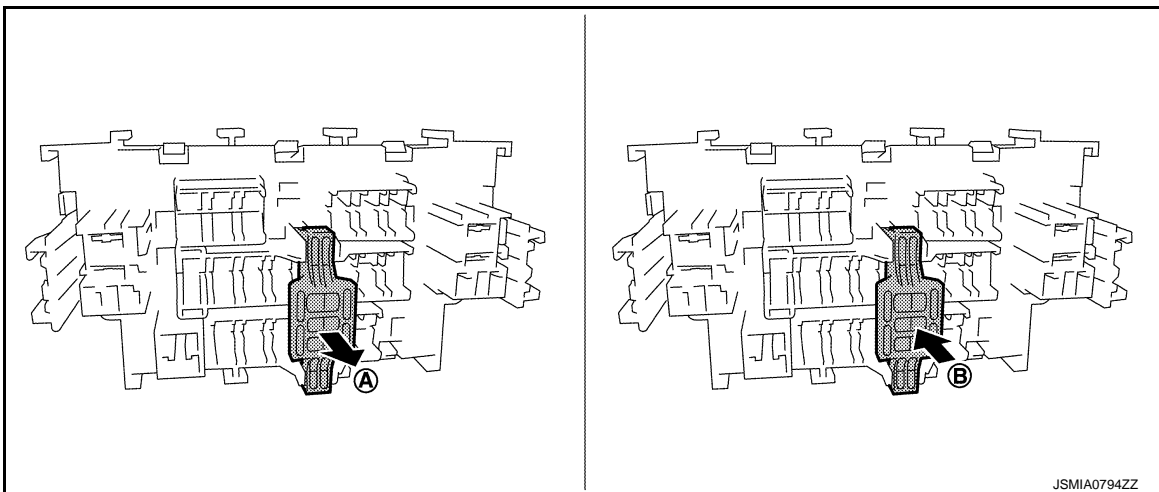
- To turn the extended storage fuse switch OFF, pull it up in (A) direction as shown in the figure.
- To turn the extended storage fuse switch ON, press it in (B) direction as shown in the figure.

- Type B



- To turn the extended storage fuse switch OFF, hold (A) of the switch and pull up in (B) direction as shown in the figure.
- To turn the extended storage fuse switch ON, press it in (C) direction as shown in the figure.

- Type C



- To turn the extended storage fuse switch OFF, pull it up in (A) direction as shown in the figure.
- To turn the extended storage fuse switch ON, press it in (B) direction as shown in the figure.

## How To Remove Extended Storage Fuse Switch

Type A

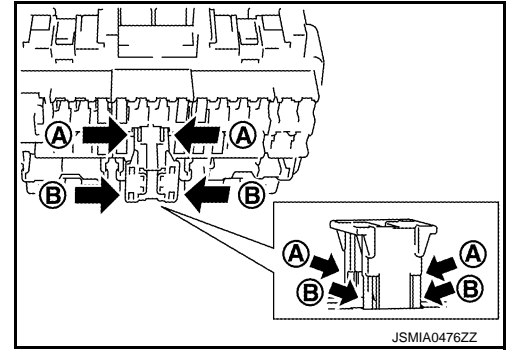
A  
B  
C  
D  
E  
F  
G  
H  
I  
J  
K  
L  
PG  
N  
O  
P

# POWER SUPPLY ROUTING CIRCUIT

## [POWER SUPPLY & GROUND CIRCUIT]

### < DTC/CIRCUIT DIAGNOSIS >

1. Turn the ignition switch OFF.
2. Turn the extended storage fuse switch OFF.
3. Press pawl (A) and tilt to disengage the extended storage fuse switch. Press pawl (B) and tilt to remove the extended storage fuse switch.

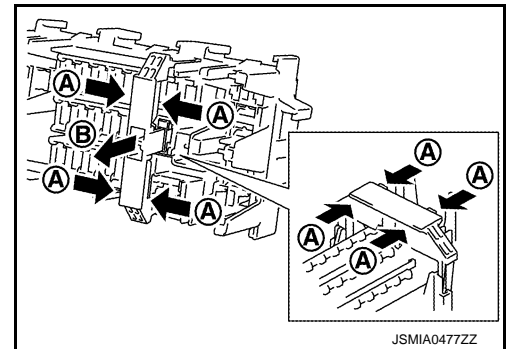


#### NOTE:

- Extended storage fuse switch and fuse are removed together. Remove fuse from extended storage fuse switch, if necessary.
- Extended storage fuse switch is for transportation and storage. Reinstallation is not required after the removal.

#### Type B

1. Turn the ignition switch OFF.
2. Turn the extended storage fuse switch OFF.
3. Hold (A) and pull up the extended storage fuse switch hard in (B) direction.

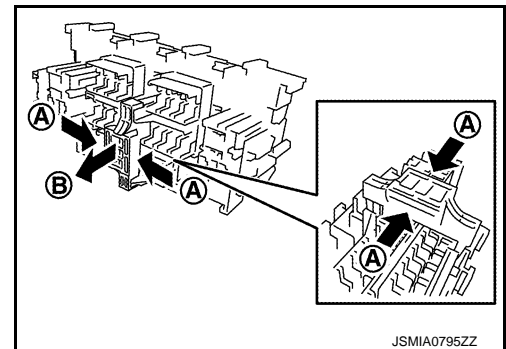


#### NOTE:

- Extended storage fuse switch and fuse may be removed together. Remove fuse from extended storage fuse switch, if necessary.
- Extended storage fuse switch is for transportation and storage. Reinstallation is not required after the removal.

#### Type C

1. Turn the ignition switch OFF.
2. Turn the extended storage fuse switch OFF.
3. Hold (A) and pull up the extended storage fuse switch hard in (B) direction.



#### NOTE:

- Extended storage fuse switch and fuse are removed together. Remove fuse from extended storage fuse switch, if necessary.



# POWER SUPPLY ROUTING CIRCUIT

## [POWER SUPPLY & GROUND CIRCUIT]

### < DTC/CIRCUIT DIAGNOSIS >

- Extended storage fuse switch is for transportation and storage. Reinstallation is not required after the removal.

### Fusible Link

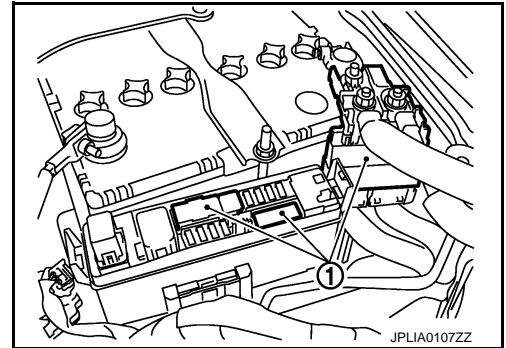
INFOID:000000008294879

A melted fusible link can be detected either by visual inspection or by feeling with finger tip. If its condition is questionable, use circuit tester or test lamp.

1 : Fusible link

#### CAUTION:

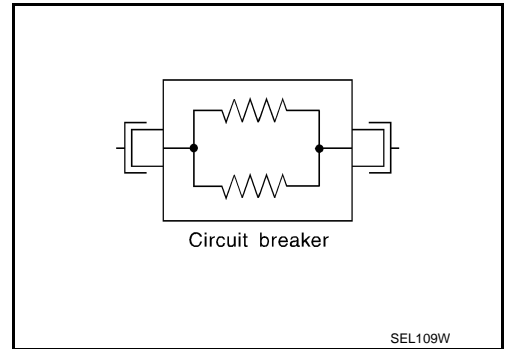
- If fusible link should melt, it is possible that critical circuit (power supply or large current carrying circuit) is shorted. In such a case, carefully check and eliminate cause of malfunction.
- Never wrap outside of fusible link with vinyl tape. Important: Never let fusible link touch any other wiring harness, vinyl or rubber parts.



### Circuit Breaker

INFOID:000000008294880

The PTC thermistor generates heat in response to current flow. The temperature (and resistance) of the thermistor element varies with current flow. Excessive current flow will cause the element's temperature to rise. When the temperature reaches a specified level, the electrical resistance will rise sharply to control the circuit current. Reduced current flow will cause the element to cool. Resistance falls accordingly and normal circuit current flow is allowed to resume.



A  
B  
C  
D  
E  
F  
G  
H  
I  
J  
K  
L  
N  
O  
P

PG

# HARNESS LAYOUT

< DTC/CIRCUIT DIAGNOSIS >






[POWER SUPPLY & GROUND CIRCUIT]

## HARNESS LAYOUT

### How To Read Harness Layout

INFOID:000000008294881

Main symbols of connector (in Harness Layout) are indicated in the below.

Connector type	Water proof type		Standard type	
	Male	Female	Male	Female
Connector symbol				
Ground terminal etc.	—			

JPMIA0114GB

# HARNES LAYOUT

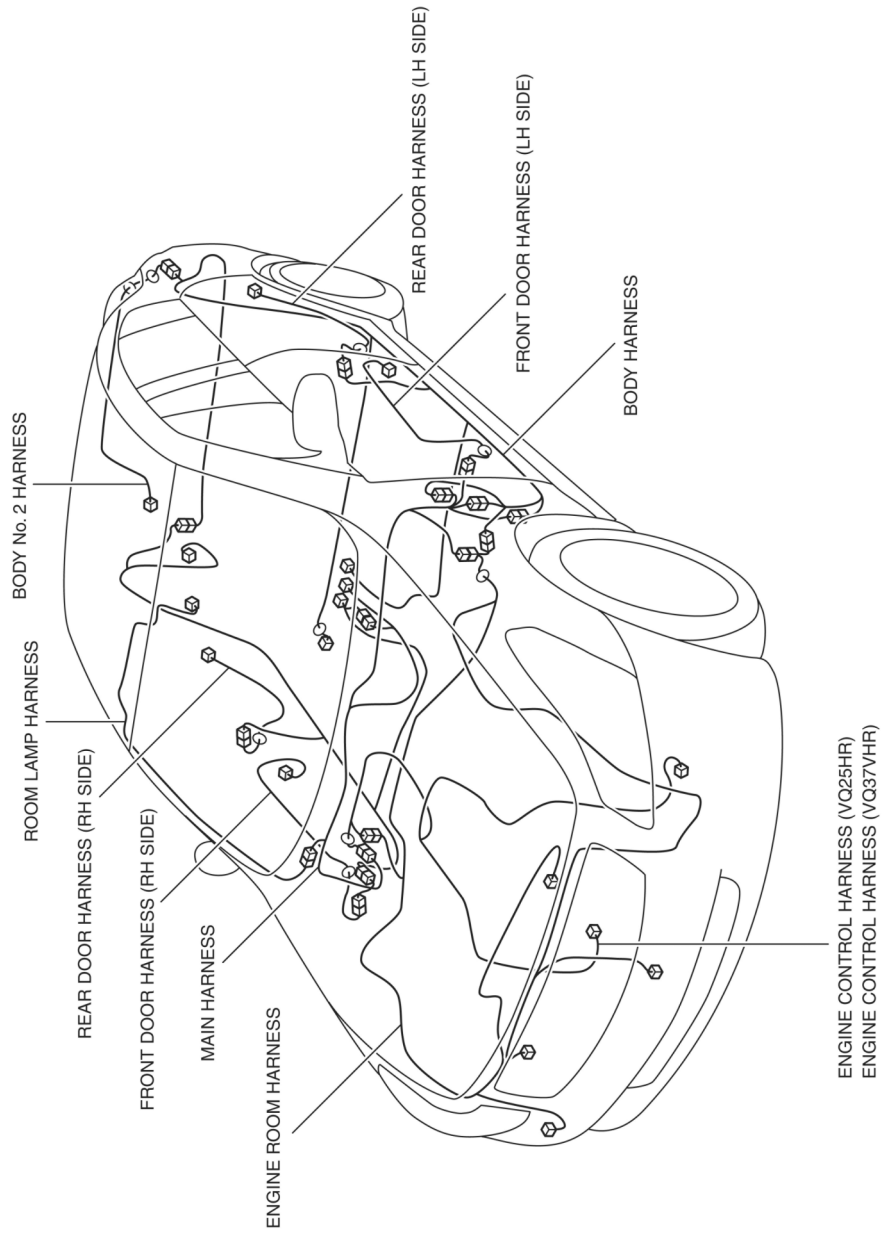
< DTC/CIRCUIT DIAGNOSIS >

[POWER SUPPLY & GROUND CIRCUIT]

## Outline

INFOID:000000008772956

OUTLINE



2012/07/10

JRMIC1925GB

A  
B  
C  
D  
E  
F  
G  
H  
I  
J  
K  
L  
PG  
N  
O  
P

# HARNES LAYOUT

< DTC/CIRCUIT DIAGNOSIS >

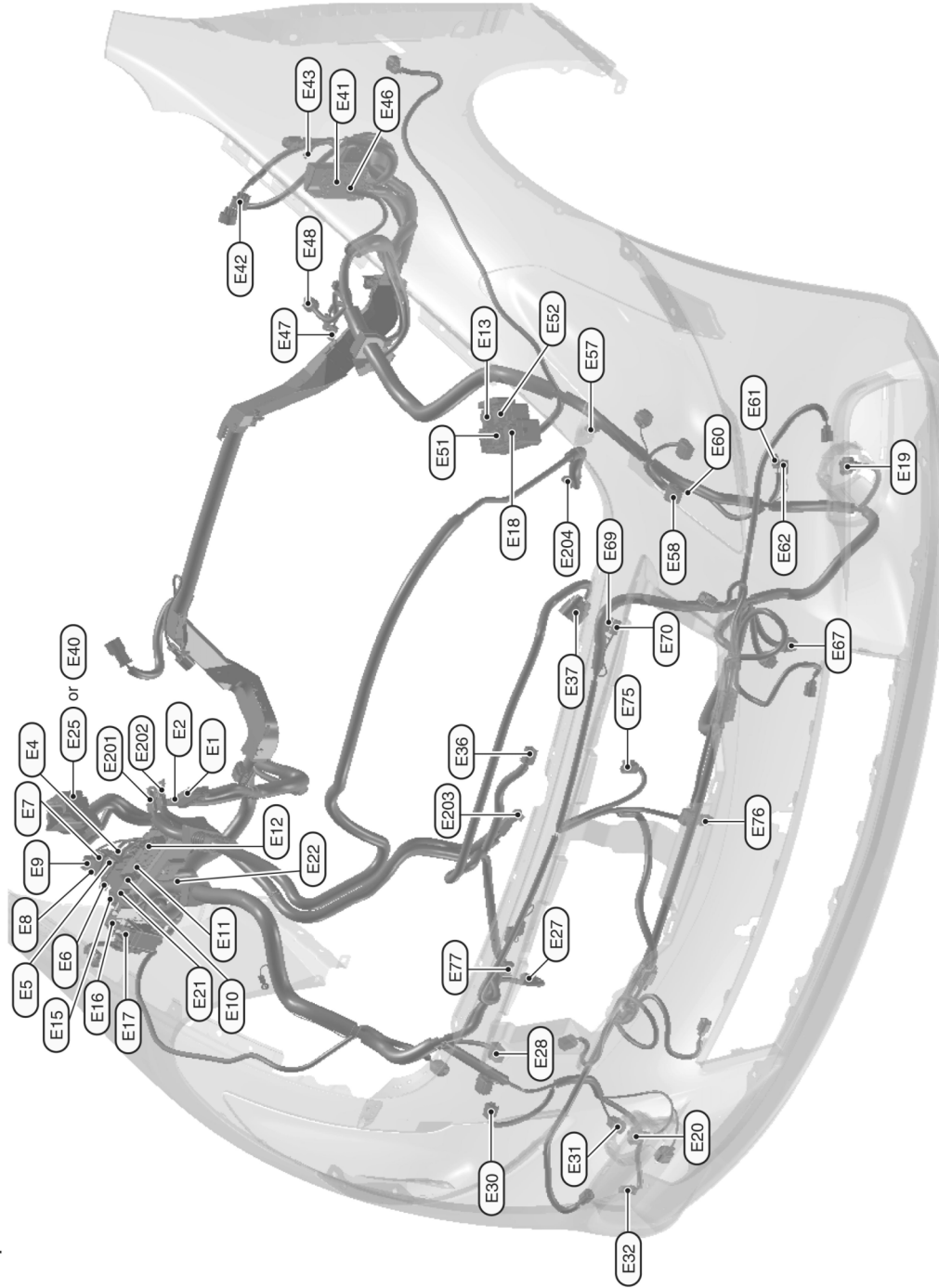
[POWER SUPPLY & GROUND CIRCUIT]

## Engine Room Harness

INFOID:000000008294882

### ENGINE COMPARTMENT

ENGINE ROOM HARNESS /  
Engine Compartment



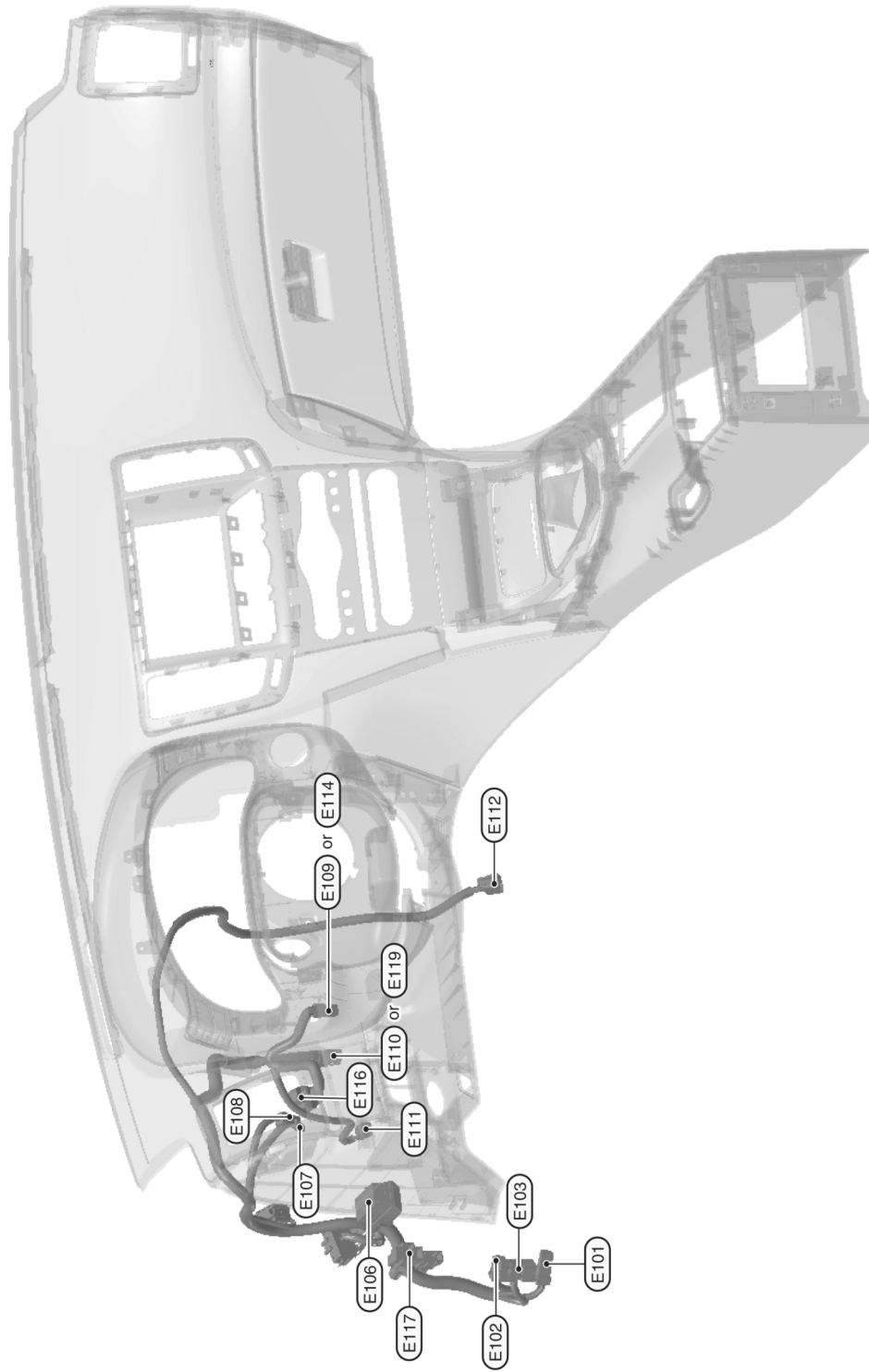
JRMIC1928GB  
2012/07/10

# HARNES LAYOUT

< DTC/CIRCUIT DIAGNOSIS >  
PASSENGER COMPARTMENT

[POWER SUPPLY & GROUND CIRCUIT]

Passenger Compartment



A  
B  
C  
D  
E  
F  
G  
H  
I  
J  
K  
L  
PG  
N  
O  
P

Engine Control Harness

VQ25HR

2012/07/10

JRMIC1929GB

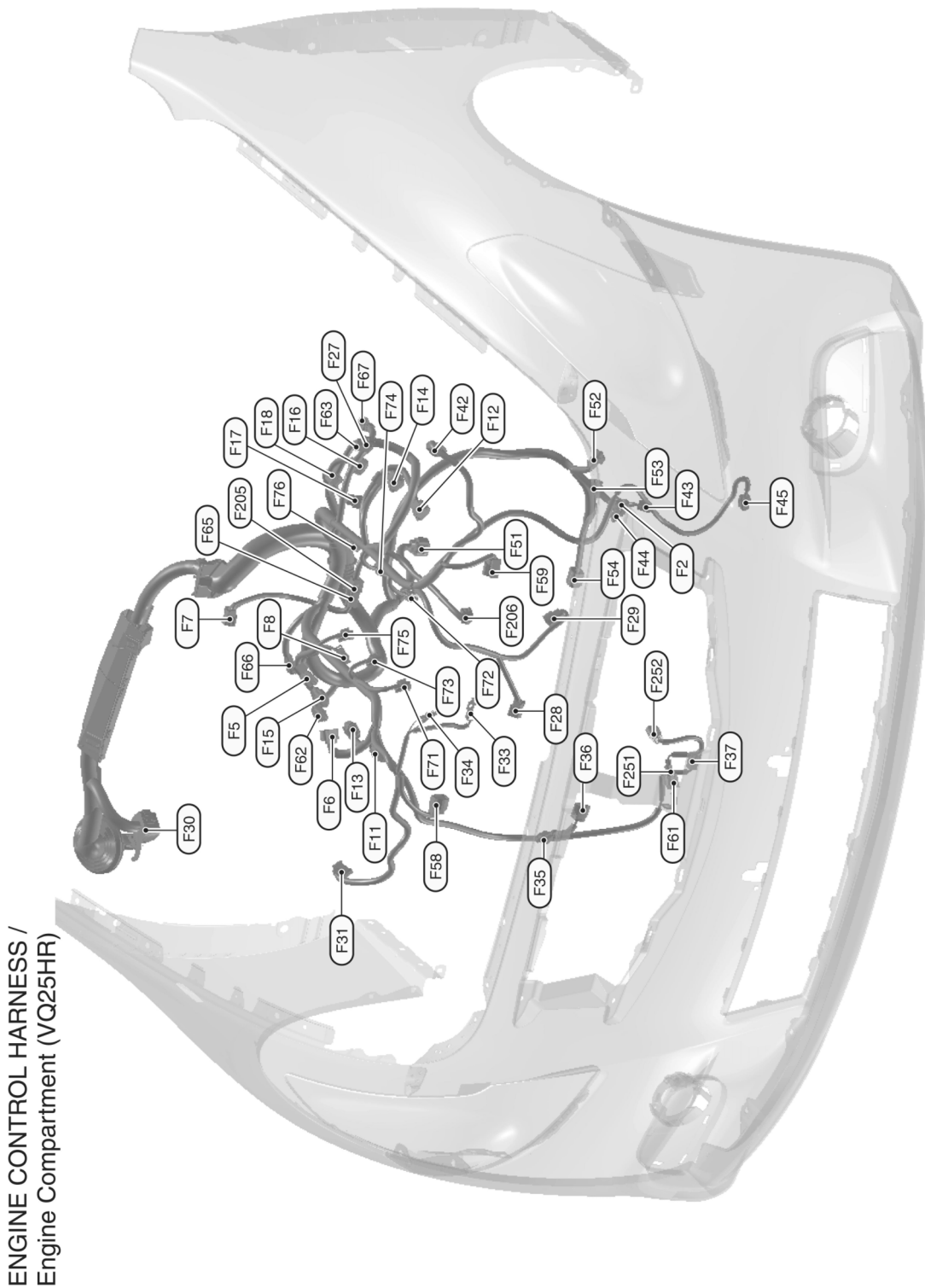
INFOID:000000008294883

# HARNESS LAYOUT

< DTC/CIRCUIT DIAGNOSIS >

[POWER SUPPLY & GROUND CIRCUIT]

Engine Compartment



ENGINE CONTROL HARNESS /  
Engine Compartment (VQ25HR)

2012/07/10

JRMIC1930GB

# HARNES LAYOUT

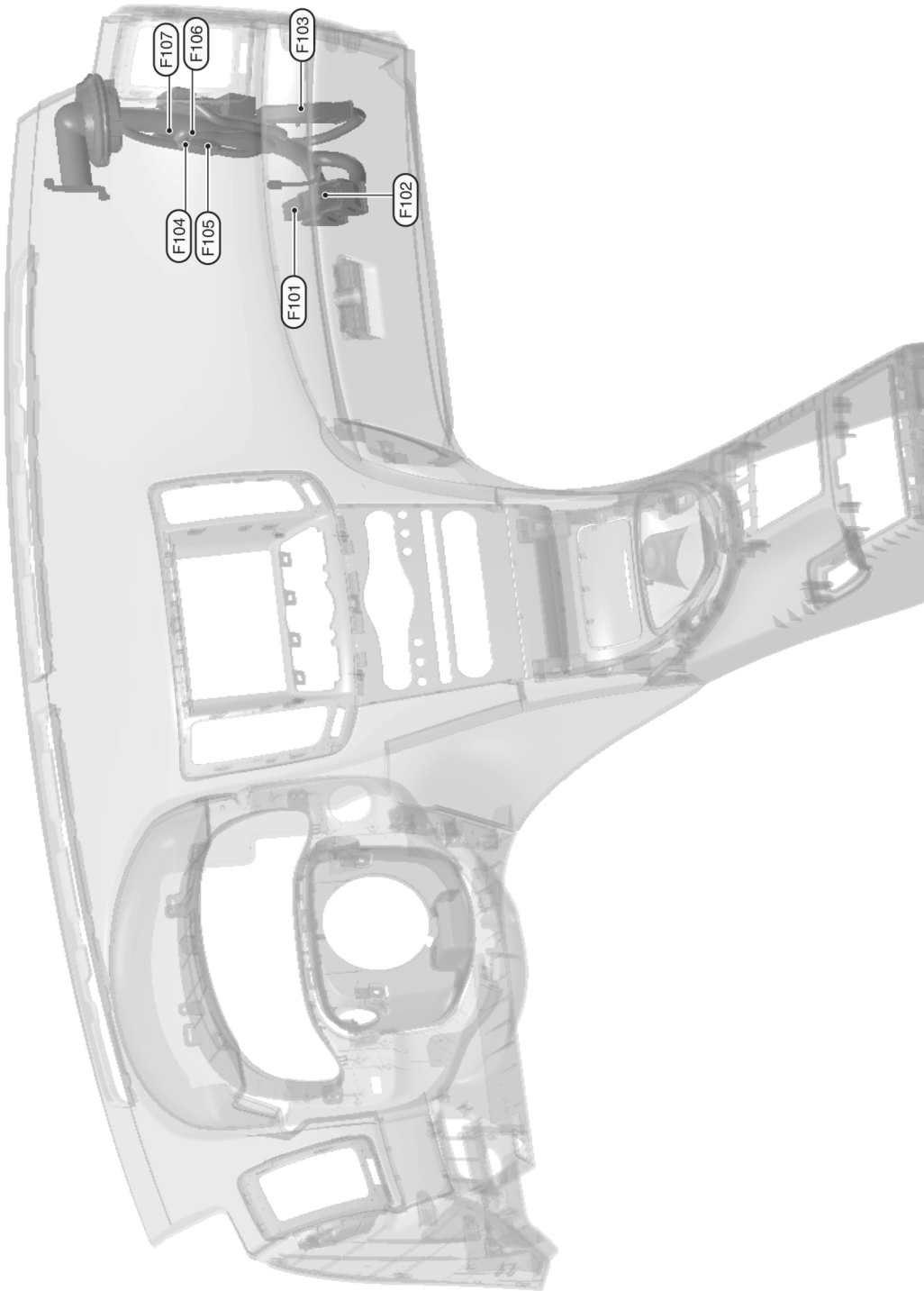
< DTC/CIRCUIT DIAGNOSIS >

[POWER SUPPLY & GROUND CIRCUIT]

Passenger Compartment

Passenger Compartment (VQ25HR)

VQ37VHR



A  
B  
C  
D  
E  
F  
G  
H  
I  
J  
K  
L  
PG  
N  
O  
P

2012/07/10

JRMIC1931GB

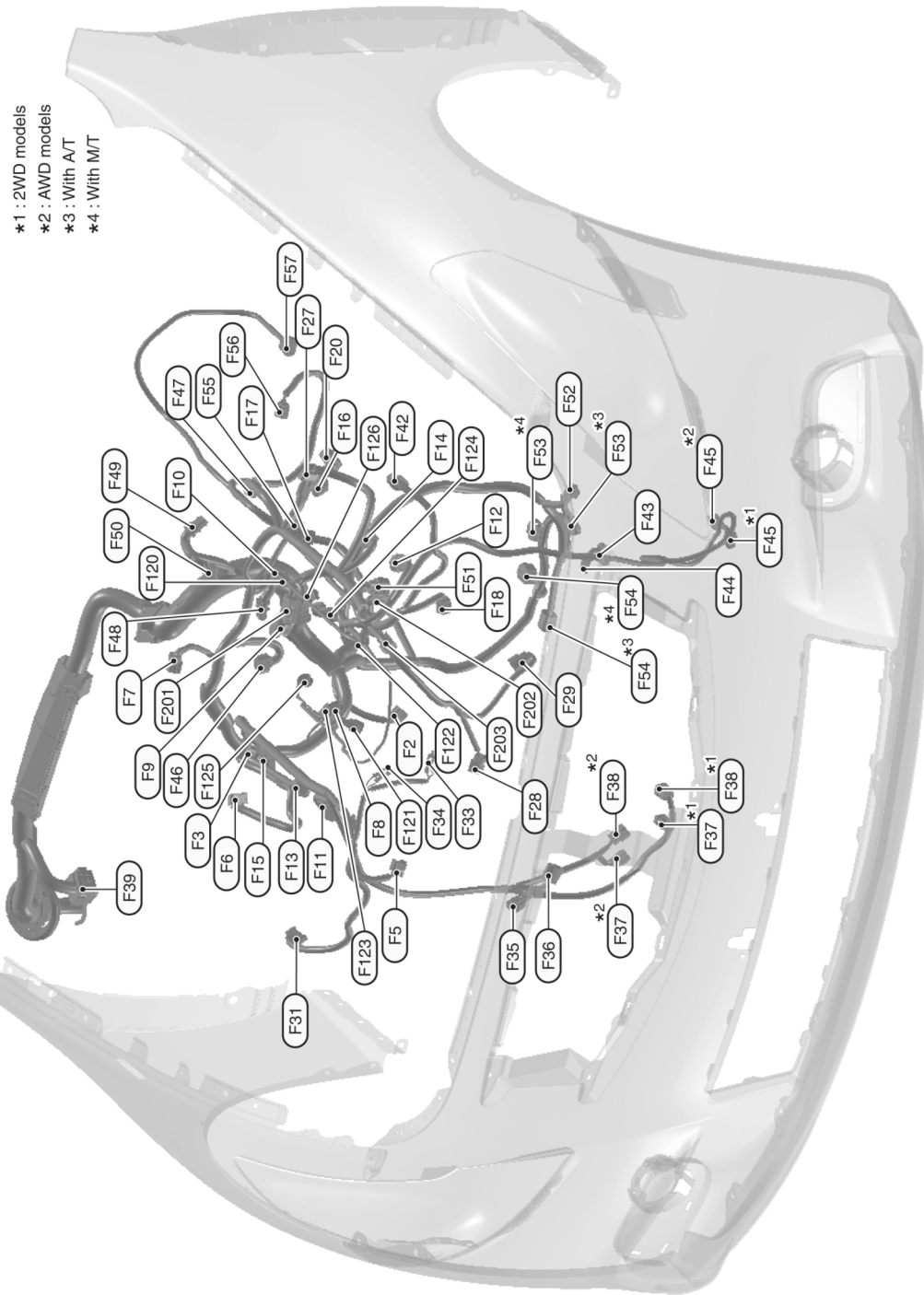
# HARNESS LAYOUT

< DTC/CIRCUIT DIAGNOSIS >

[POWER SUPPLY & GROUND CIRCUIT]

Engine Compartment

ENGINE CONTROL HARNESS /  
Engine Compartment (VQ37VHR)



- \*1 : 2WD models
- \*2 : AWD models
- \*3 : With A/T
- \*4 : With M/T

JRMIC1932GB

2012/07/10



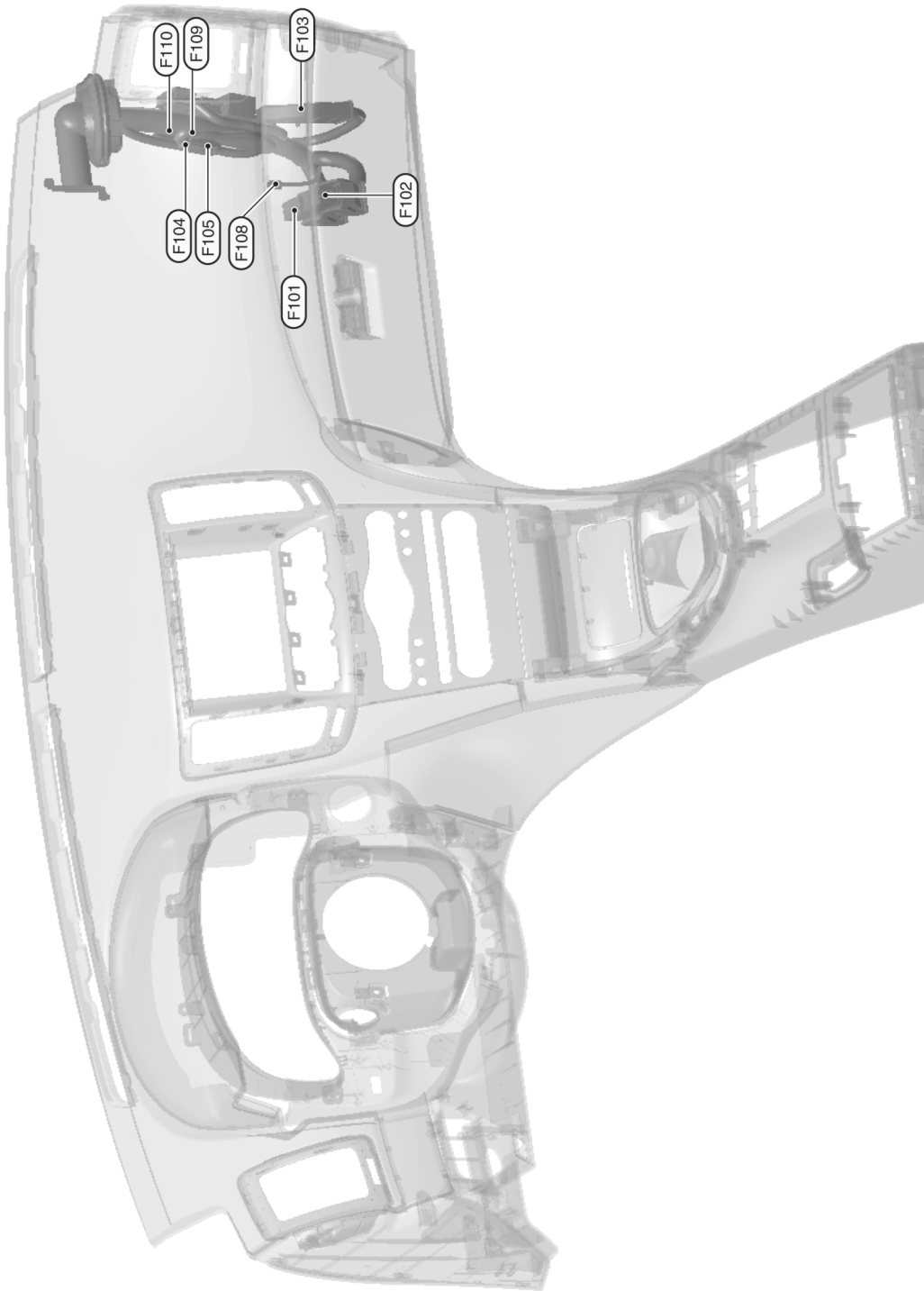
# HARNES LAYOUT

< DTC/CIRCUIT DIAGNOSIS >

[POWER SUPPLY & GROUND CIRCUIT]

Passenger Compartment

Passenger Compartment (VQ37VHR)



A  
B  
C  
D  
E  
F  
G  
H  
I  
J  
K  
L  
PG  
N  
O  
P

2012/07/10

JRMIC1933GB

# HARNESS LAYOUT

< DTC/CIRCUIT DIAGNOSIS >

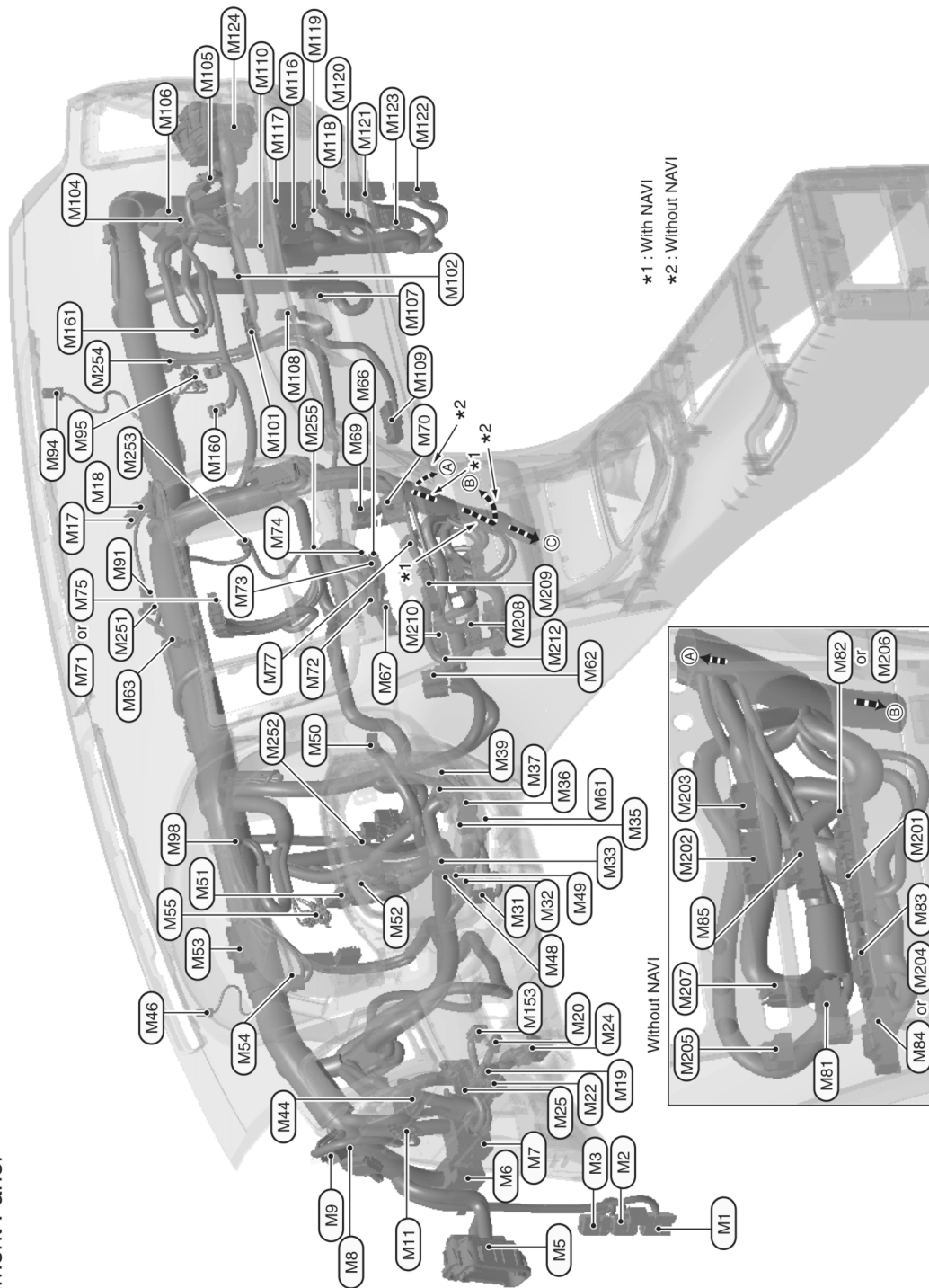
[POWER SUPPLY & GROUND CIRCUIT]

## Main Harness

INFOID:000000008294884

### INSTRUMENT PANEL

MAIN HARNESS /  
Instrument Panel



\*1 : With NAVI  
\*2 : Without NAVI

Without NAVI

2012/07/10

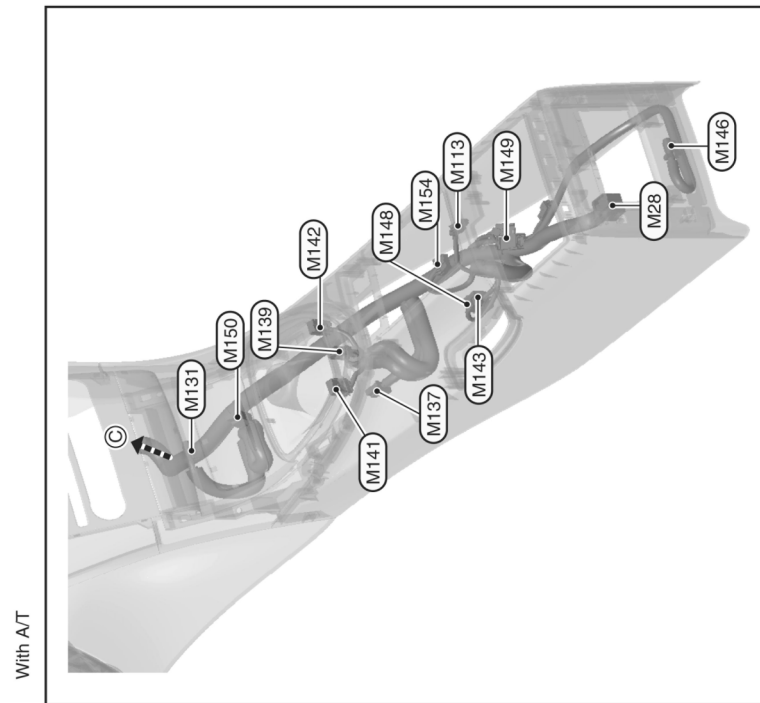
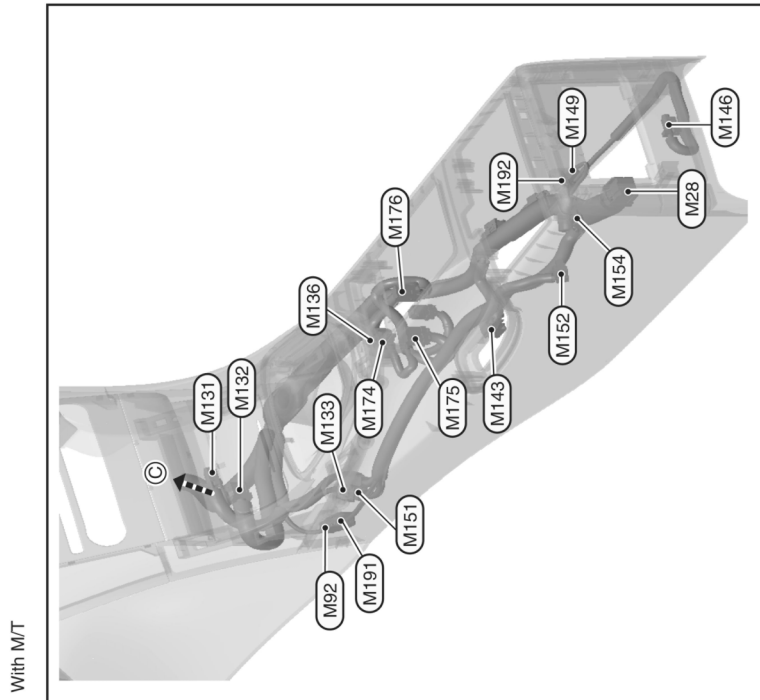
JRMIC1926GB

# HARNES LAYOUT

< DTC/CIRCUIT DIAGNOSIS >

[POWER SUPPLY & GROUND CIRCUIT]

## FLOOR CONSOLE



Floor Console

With A/T

With M/T

2012/07/10

JRMIC1927GB

A  
B  
C  
D  
E  
F  
G  
H  
I  
J  
K  
L  
PG  
N  
O  
P

# HARNESS LAYOUT

< DTC/CIRCUIT DIAGNOSIS >

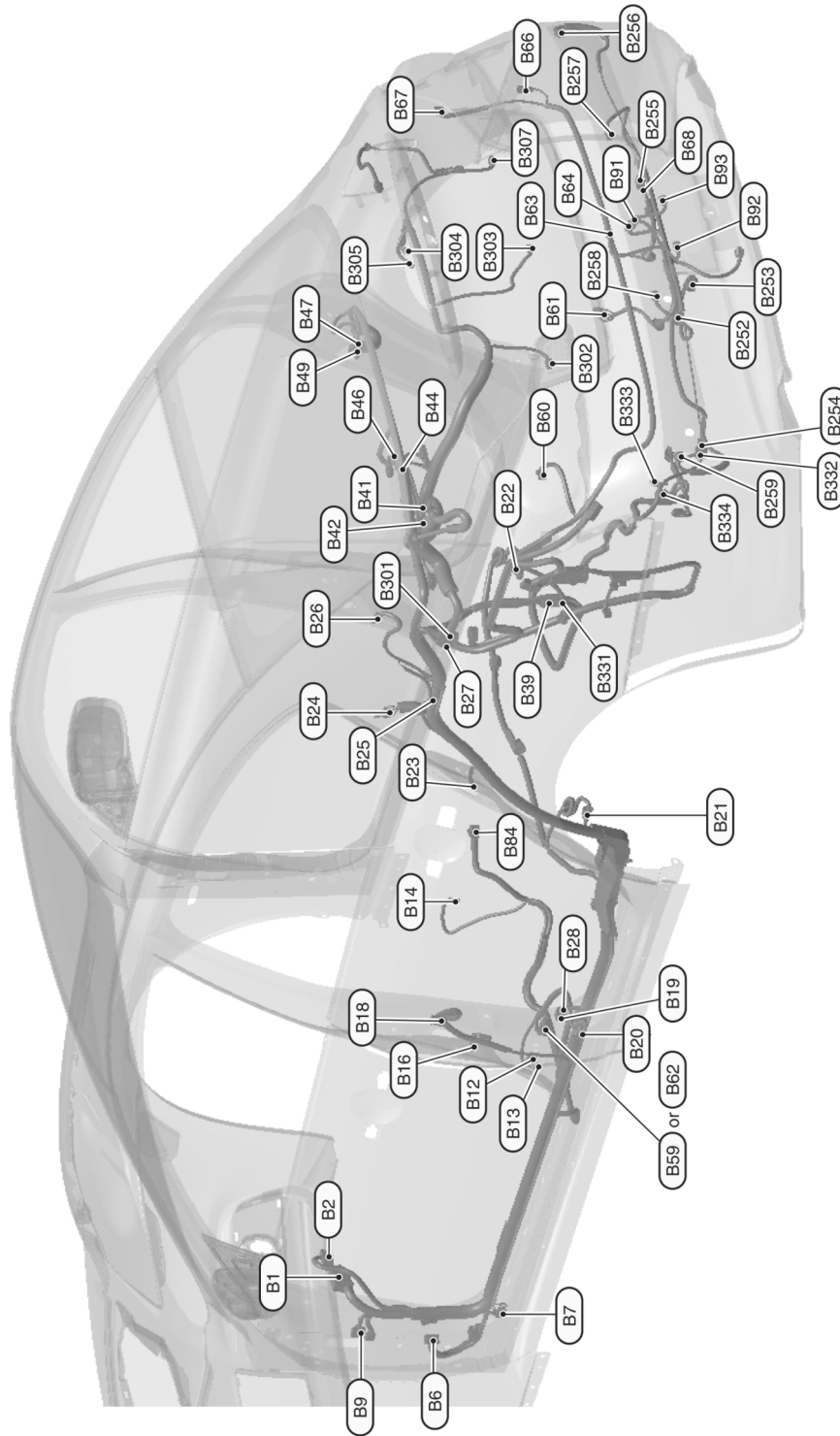
[POWER SUPPLY & GROUND CIRCUIT]

## Body Harness

INFOID:000000008294885

### BODY HARNESS

BODY HARNESS



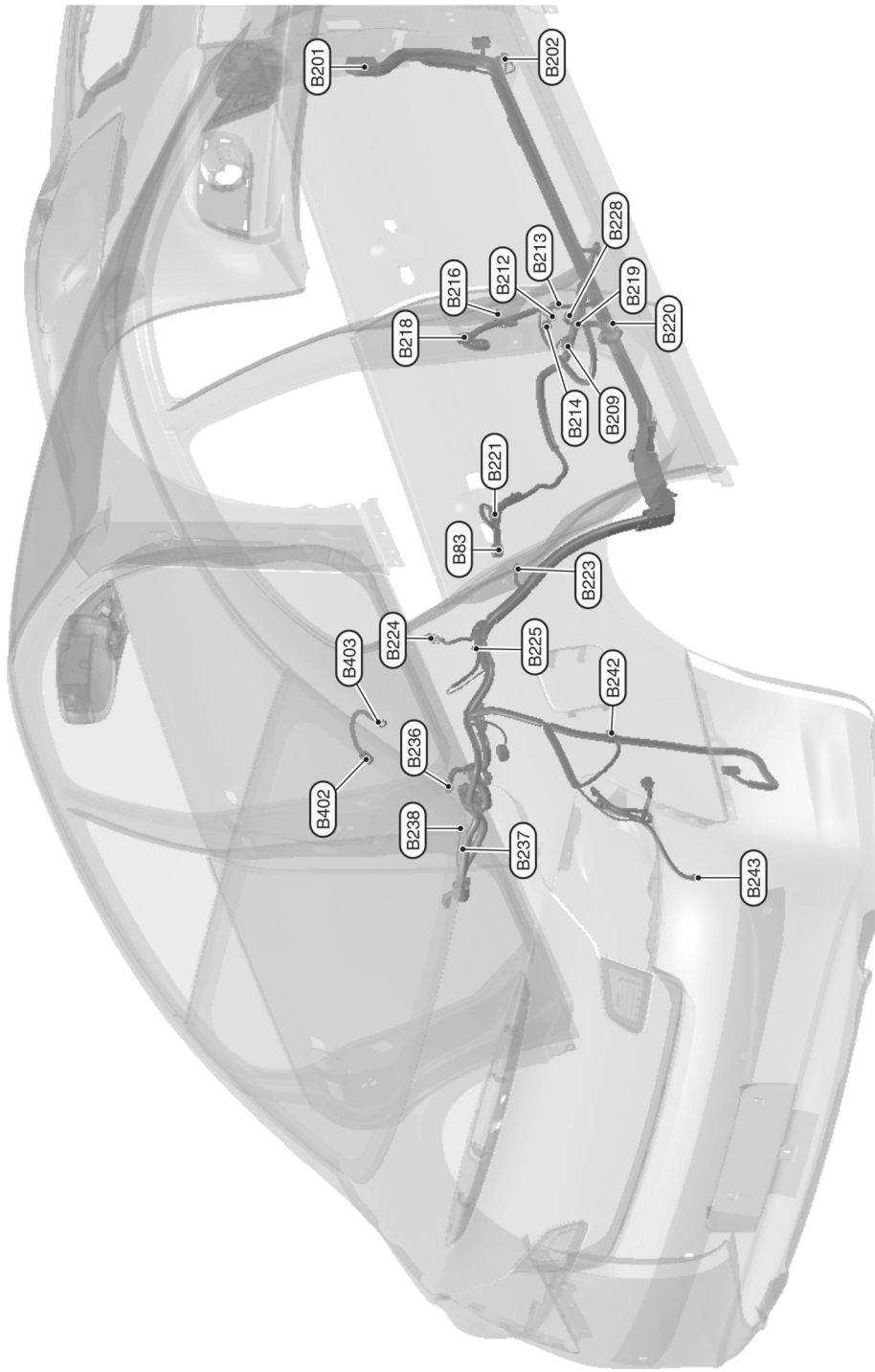
JRMIC1934GB  
2012/07/10

# HARNES LAYOUT

< DTC/CIRCUIT DIAGNOSIS >

[POWER SUPPLY & GROUND CIRCUIT]

BODY No. 2 HARNESS



BODY No. 2 HARNESS

2012/07/10

JRMIC1935GB

A  
B  
C  
D  
E  
F  
G  
H  
I  
J  
K  
L  
PG  
N  
O  
P

# HARNES LAYOUT

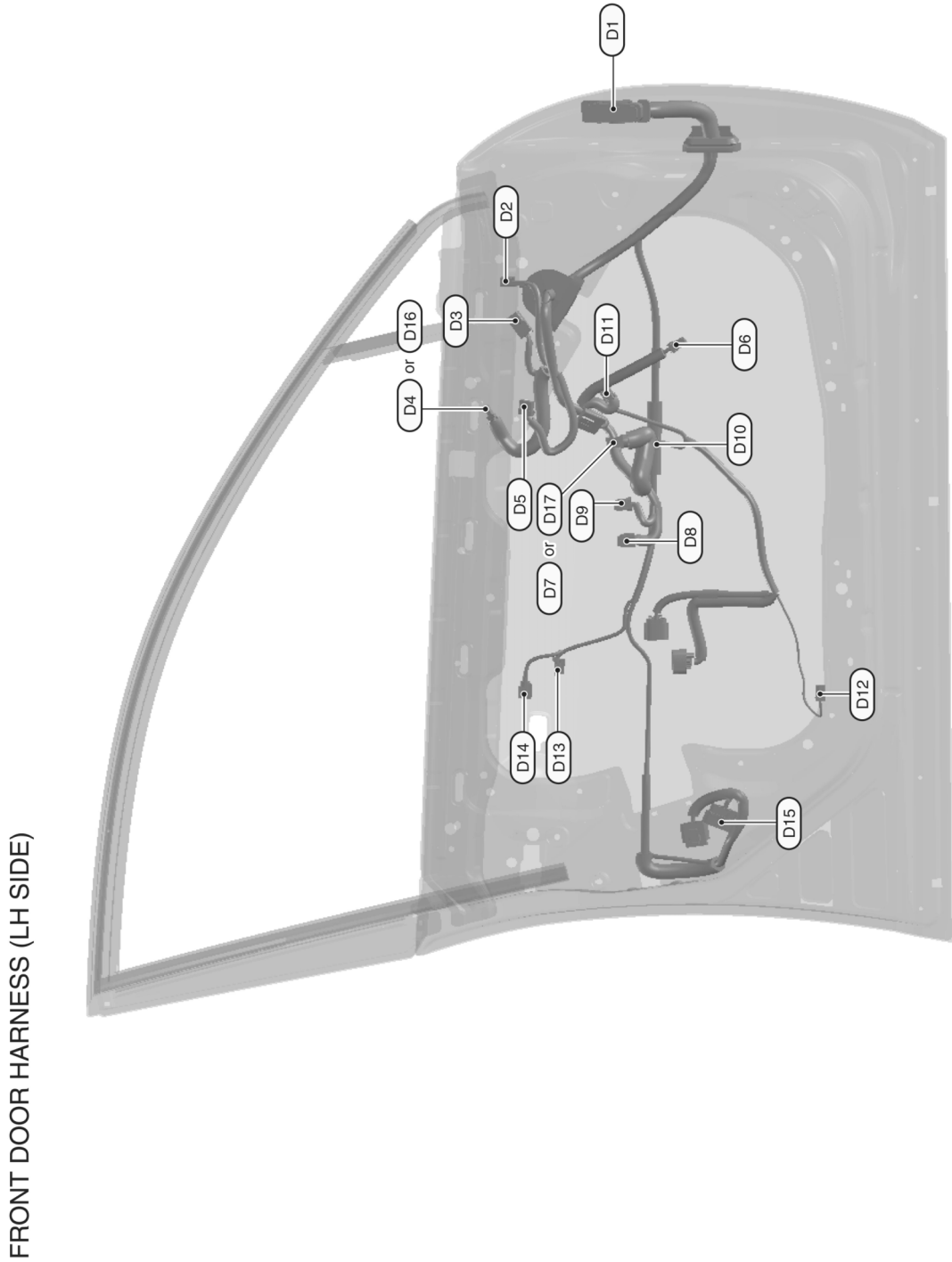
< DTC/CIRCUIT DIAGNOSIS >

[POWER SUPPLY & GROUND CIRCUIT]

## Door Harness

INFOID:000000008294886

### FRONT DOOR HARNESS (LH SIDE)



JRMIC1937GB  
2012/07/10

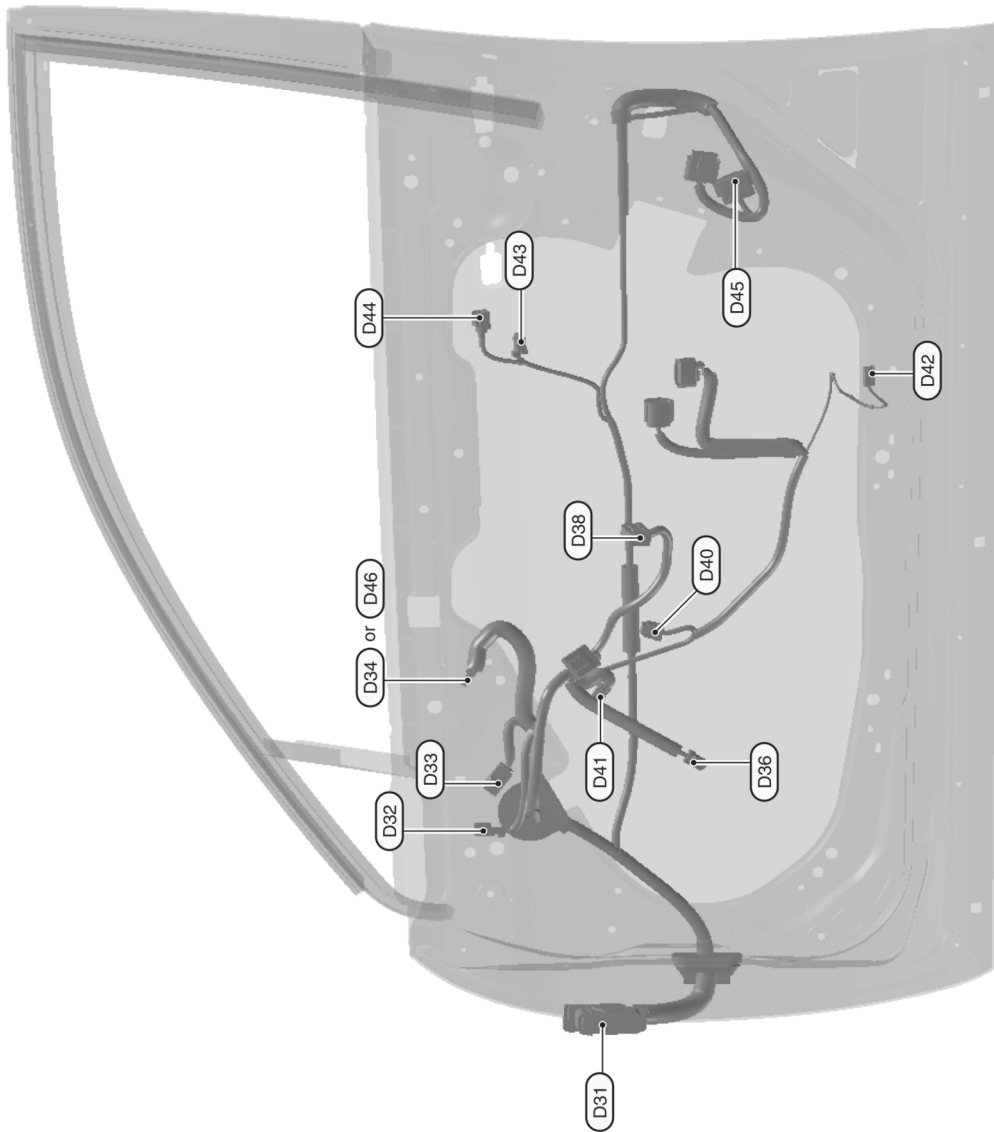
# HARNES LAYOUT

< DTC/CIRCUIT DIAGNOSIS >

[POWER SUPPLY & GROUND CIRCUIT]

## FRONT DOOR HARNESS (RH SIDE)

FRONT DOOR HARNESS (RH SIDE)



JRMIC1938GB

2012/07/10

A  
B  
C  
D  
E  
F  
G  
H  
I  
J  
K  
L  
PG  
N  
O  
P

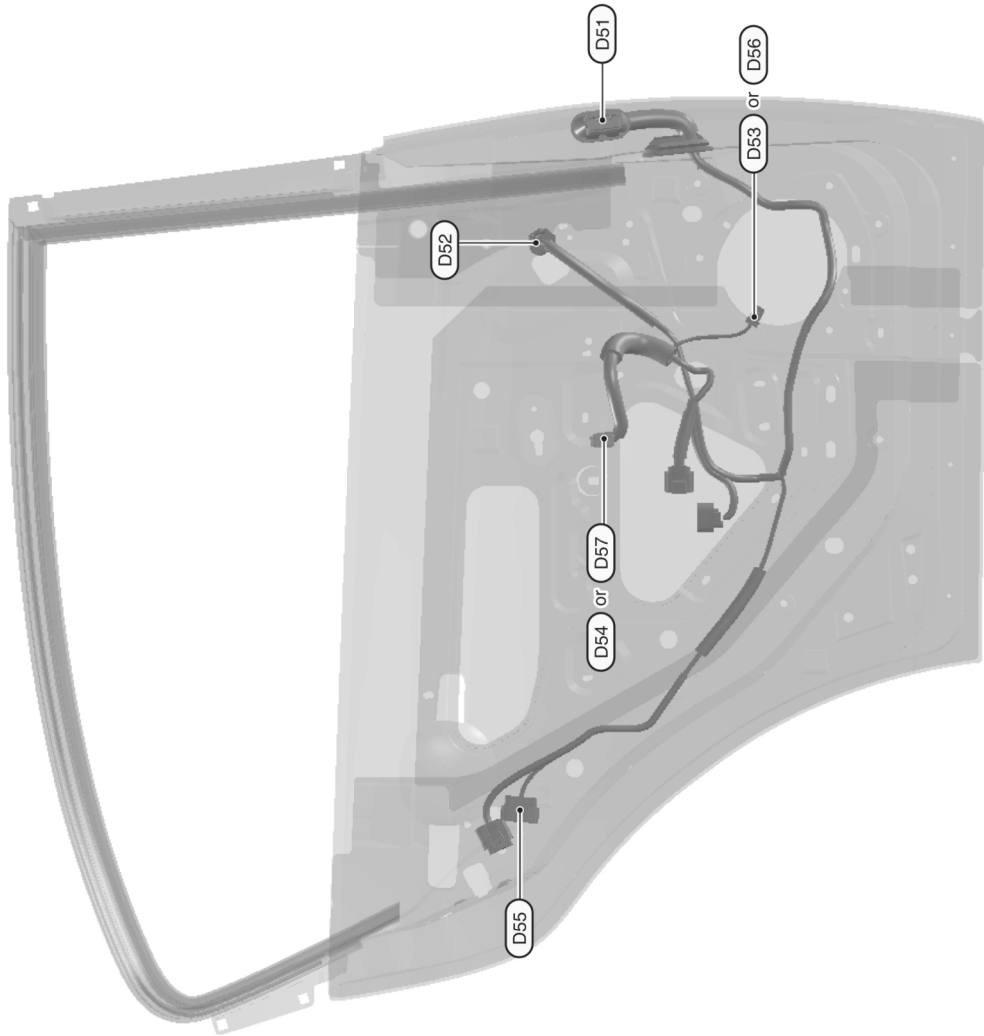
# HARNESS LAYOUT

< DTC/CIRCUIT DIAGNOSIS >

[POWER SUPPLY & GROUND CIRCUIT]

## REAR DOOR HARNESS (LH SIDE)

REAR DOOR HARNESS (LH SIDE)



JRMIC1939GB  
2012/07/10



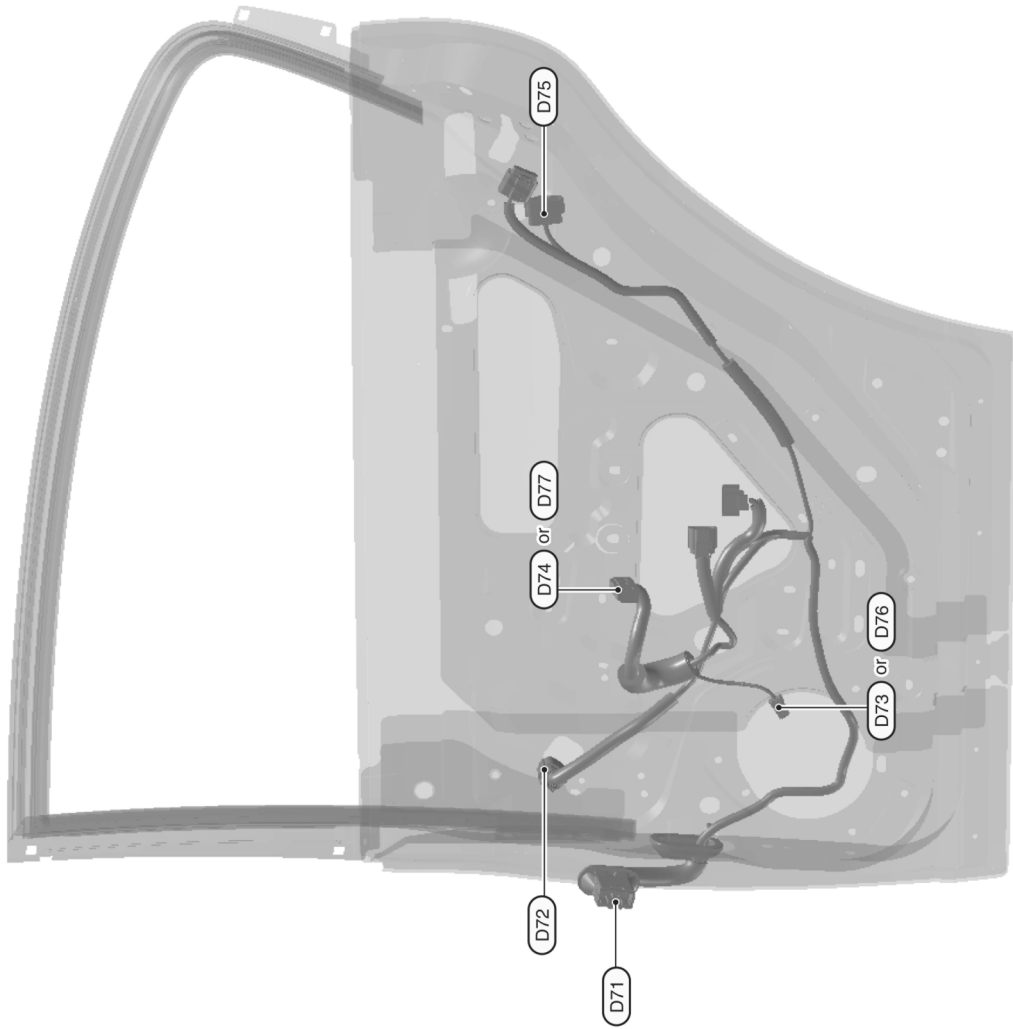
# HARNES LAYOUT

< DTC/CIRCUIT DIAGNOSIS >

[POWER SUPPLY & GROUND CIRCUIT]

REAR DOOR HARNESS (RH SIDE)

REAR DOOR HARNESS (RH SIDE)



2012/07/10

JRMIC1940GB

A  
B  
C  
D  
E  
F  
G  
H  
I  
J  
K  
L  
PG  
N  
O  
P

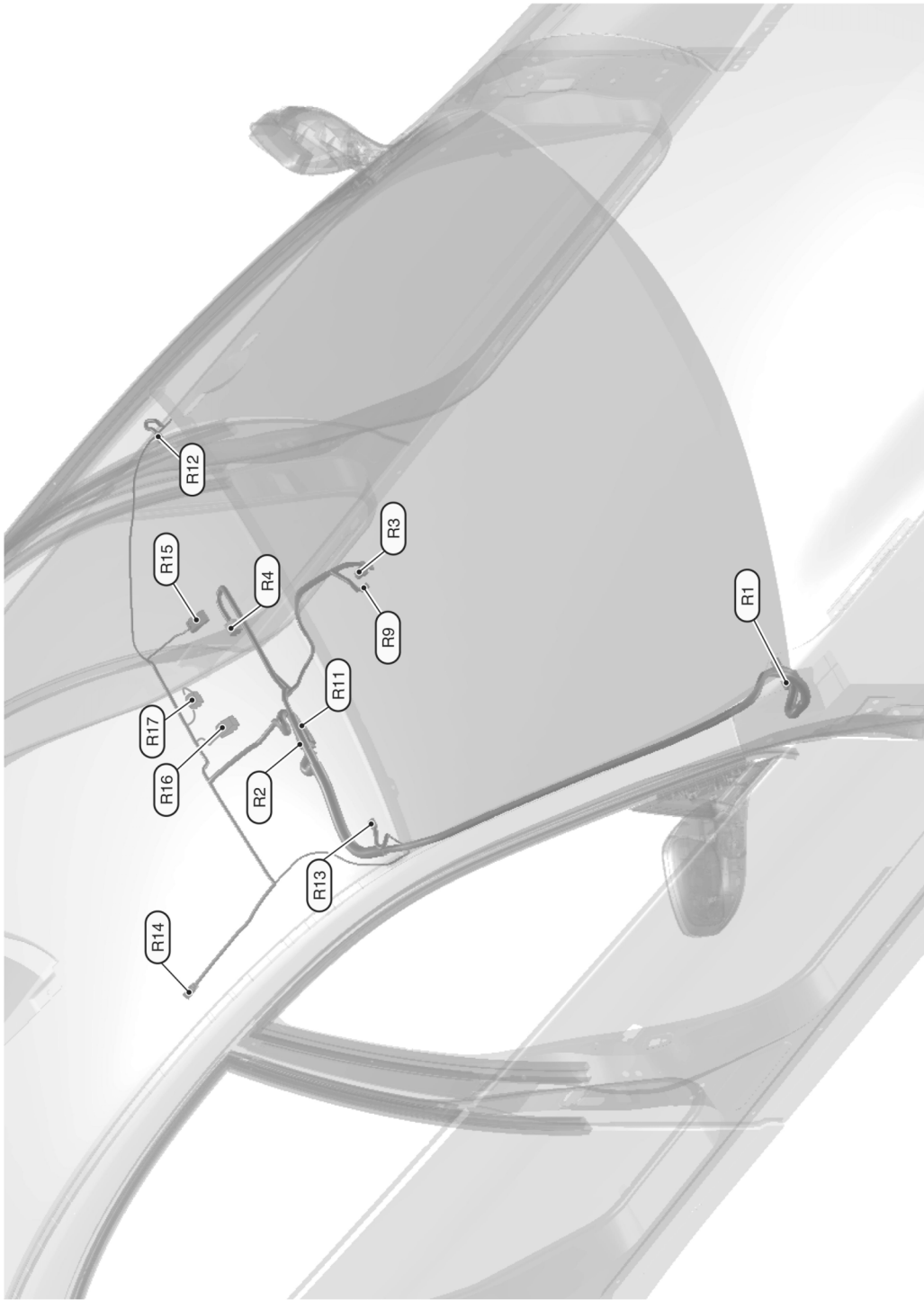
# HARNES LAYOUT

< DTC/CIRCUIT DIAGNOSIS >

[POWER SUPPLY & GROUND CIRCUIT]

## Room Lamp Harness

INFOID:000000008294887



ROOM LAMP HARNESS

2012/07/10

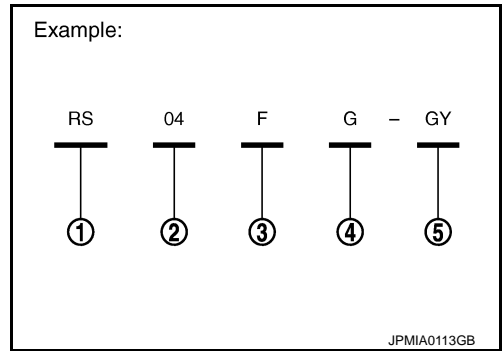
JRMIC1936GB

## CONNECTOR INFORMATION

### How to Read Connector Type

INFOID:000000008294888

- 1 : Connector model
- 2 : Cavity
- 3 : Male (M) and female (F) terminals
- 4 : Connector color
- 5 : Special type



A  
B  
C  
D  
E  
F  
G  
H  
I  
J  
K  
L  
PG  
N  
O  
P

# CONNECTOR INFORMATION

## [POWER SUPPLY & GROUND CIRCUIT]

< DTC/CIRCUIT DIAGNOSIS >

### B Body Harness

INFOID:000000008294889

#### BODY HARNESS

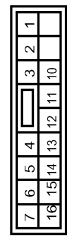
Connector No.	B1
Connector Name	WIRE TO WIRE
Connector Type	TH18DFW-CS16-TM4



Terminal No.	Color of Wire	Signal Name [Specification]
1	GR	-
2	BG	-
3	L	-
4	Y	-
6	R	-
7	P	-
8	W	-
9	GR	- [Without rear anti-pinch system] - [With rear anti-pinch system]
15	Y	-
16	BR	-
17	LG	-
18	BG	-
20	L	-
21	P	-
22	L	-
23	P	-
24	V	-
25	SB	-
26	G	-
27	W	-
28	R	-
31	V	-
32	SB	-
33	SHIELD	-
34	W	-
35	BR	-
36	Y	-
37	SHIELD	-
38	Y	-
39	SB	-
40	P	-
41	L	-
42	SHIELD	-
43	R	-
44	G	-
45	SHIELD	-
46	SB	-

55	BR	-
56	R	-
58	V	-
59	SB	-
60	BR	-
61	W	-
62	R	-
63	L	-
64	Y	-
65	SHIELD	-
71	BG	-
72	GR	-
73	P	-
74	L	-
81	V	-
82	B	-
84	Y	-
85	G	-
86	W	-
87	R	-
88	BR	-
89	Y	-
90	SB	-
91	BG	-
92	BR	-
93	P	-
95	BG	-
96	Y	-
100	GR	-

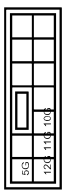
Connector No.	B2
Connector Name	WIRE TO WIRE
Connector Type	NS18DFW-CS



Terminal No.	Color of Wire	Signal Name [Specification]
1	L	-
2	W	-
3	V	-
4	LG	-
5	L	-
6	BG	-
7	B	-

10	Y	-
11	LG	-
12	P	-
13	GR	-
14	R	-
15	G	-
16	W	-

Connector No.	B6
Connector Name	FUSE BLOCK (J/B)
Connector Type	NS12PBR-CS



Terminal No.	Color of Wire	Signal Name [Specification]
5G	LG	-
10G	W	-
11G	W	-
12G	Y	-

Connector No.	B9
Connector Name	WIRE TO WIRE
Connector Type	MD8FW-LC



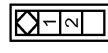
Terminal No.	Color of Wire	Signal Name [Specification]
2	P	-
3	GR	-
4	LG	-
5	BR	-
6	BG	-

Connector No.	B12
Connector Name	FRONT LH SIDE AIR BAG MODULE
Connector Type	TK02FY-EX-1V



Terminal No.	Color of Wire	Signal Name [Specification]
1	Y	-
2	Y	-

Connector No.	B13
Connector Name	SEAT BELT BUCKLE SWITCH (DRIVER SIDE)
Connector Type	AG3FW



Terminal No.	Color of Wire	Signal Name [Specification]
1	SB	-
2	B	-

Connector No.	B14
Connector Name	PARKING BRAKE SWITCH
Connector Type	PO1EB-A



Terminal No.	Color of Wire	Signal Name [Specification]
1	GR	-

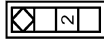
# CONNECTOR INFORMATION

## [POWER SUPPLY & GROUND CIRCUIT]

< DTC/CIRCUIT DIAGNOSIS >

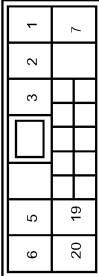
### BODY HARNESS

Connector No.	B16
Connector Name	FRONT DOOR SWITCH (DRIVER SIDE)
Connector Type	A03FW



Terminal No.	Color of Wire	Signal Name [Specification]
2	BR	-

Connector No.	B18
Connector Name	WIRE TO WIRE
Connector Type	NH10FW-GS10



Terminal No.	Color of Wire	Signal Name [Specification]
1	P	-
2	GR	- [Without rear anti-pinch system]
3	LG	- [With rear anti-pinch system]
5	P	-
6	BR	-
7	B	-
19	L	- [With BOSE system]
18	SB	- [Without BOSE system]
20	P	- [With BOSE system]
20	Y	- [Without BOSE system]

Connector No.	B19
Connector Name	FRONT LH SEAT BELT PRE-TENSIONER
Connector Type	ACB02FY



Terminal No.	Color of Wire	Signal Name [Specification]
1	Y	-
2	Y	-

Connector No.	B20
Connector Name	LH SIDE AIR BAG (SATELLITE) SENSOR
Connector Type	HK02FY-IV-EX-LC



Terminal No.	Color of Wire	Signal Name [Specification]
1	P	-
2	L	-

Connector No.	B21
Connector Name	FUEL LEVEL SENSOR UNIT (SUB)
Connector Type	E02GY-RS



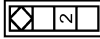
Terminal No.	Color of Wire	Signal Name [Specification]
1	B	-
2	W	-

Connector No.	B22
Connector Name	FUEL LEVEL SENSOR UNIT AND FUEL PUMP (MAIN)
Connector Type	E05GY-RS



Terminal No.	Color of Wire	Signal Name [Specification]
1	P	-
2	W	-
3	B	-
4	V	-
5	Y	-

Connector No.	B23
Connector Name	REAR DOOR SWITCH LH
Connector Type	A03FW



Terminal No.	Color of Wire	Signal Name [Specification]
2	Y	-

Connector No.	B25
Connector Name	LH SIDE CURTAIN AIR BAG MODULE
Connector Type	ACB02FY



Terminal No.	Color of Wire	Signal Name [Specification]
1	B	-
2	W	-

1	Y	-
2	Y/B	-

Connector No.	B26
Connector Name	CONDENSER
Connector Type	M01FW-LC



Terminal No.	Color of Wire	Signal Name [Specification]
1	Y	-

Connector No.	B27
Connector Name	WIRE TO WIRE
Connector Type	NS16MW-CS



Terminal No.	Color of Wire	Signal Name [Specification]
2	BG	-
3	B	-
4	Y	-
5	B	-
6	W	-
11	G	-
12	SHIELD	-
13	B	-
14	W	-
15	R	-

A  
B  
C  
D  
E  
F  
G  
H  
I  
J  
K  
L  
O  
P

PG

# CONNECTOR INFORMATION

< DTC/CIRCUIT DIAGNOSIS >

[POWER SUPPLY & GROUND CIRCUIT]

## BODY HARNESS

Connector No.	B28
Connector Name	PRE-CRASH SEAT BELT MOTOR LH
Connector Type	TB02FW-2V



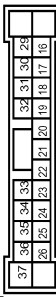
Terminal No.	Color of Wire	Signal Name [Specification]
1	Y	-
2	BG	-

Connector No.	B39
Connector Name	WIRE TO WIRE
Connector Type	NS18FW-CS



Terminal No.	Color of Wire	Signal Name [Specification]
2	W	-
3	R	-
4	BR	-
5	LG	-
6	BG	-
7	GR	-
8	V	-
9	SB	-
10	G	-

Connector No.	B41
Connector Name	BOSE AMP.
Connector Type	SCA18FBR-SG44



Terminal No.	Color of Wire	Signal Name [Specification]
16	SB	SOUND SIGNAL WOOFER (+)
17	V	SOUND SIGNAL WOOFER (-)
18	L	SOUND SIGNAL REAR DOOR LH (+)
19	P	SOUND SIGNAL REAR DOOR LH (-)
20	W	AMP. ON SIGNAL
21	SHIELD	SHIELD
22	GR	WOOFER AMP. ON SIGNAL
23	SB	SOUND SIGNAL REAR LH (-)
24	V	SOUND SIGNAL REAR LH (+)
25	Y	SOUND SIGNAL REAR RH (-)
26	BR	SOUND SIGNAL REAR RH (+)
29	L	SOUND SIGNAL CENTER (+)
30	BG	SOUND SIGNAL CENTER (-)
31	LG	SOUND SIGNAL REAR DOOR RH (+)
32	Y	SOUND SIGNAL REAR DOOR RH (-)
33	R	SOUND SIGNAL FRONT RH (+)
34	G	SOUND SIGNAL FRONT RH (-)
35	P	SOUND SIGNAL FRONT LH (+)
36	L	SOUND SIGNAL FRONT LH (-)
37	SB	MODE CHANGE SIGNAL

Connector No.	B42
Connector Name	BOSE AMP.
Connector Type	SGA12FBR-SJA2



Terminal No.	Color of Wire	Signal Name [Specification]
1	L	SOUND SIGNAL FRONT LH (+)
2	W	SOUND SIGNAL FRONT LH (-)

3	LG	SOUND SIGNAL FRONT RH (-)
4	V	SOUND SIGNAL FRONT RH (+)
5	G	SOUND SIGNAL DOOR WOOFER RH (+)
6	R	SOUND SIGNAL DOOR WOOFER RH (-)
7	B	GROUND
9	W	SOUND SIGNAL FRONT DOOR WOOFER LH (-)
10	Y	BATTERY
11	GR	BATTERY
12	B	GROUND
14	B	SOUND SIGNAL FRONT DOOR WOOFER LH (+)

Connector No.	B44
Connector Name	HIGH-MOUNTED STOP LAMP (ON THE REAR PANEL SHELF)
Connector Type	TK02MRB-P



Terminal No.	Color of Wire	Signal Name [Specification]
1	LG	-
2	B	-

Connector No.	B46
Connector Name	WOOFER
Connector Type	NS08FBR-CS



Terminal No.	Color of Wire	Signal Name [Specification]
1	V	SOUND SIGNAL WOOFER (-)
2	SB	SOUND SIGNAL WOOFER (+)
4	GR	WOOFER AMP. ON SIGNAL
5	B	GROUND
6	P	BATTERY

Connector No.	B47
Connector Name	TRUNK ROOM LAMP
Connector Type	IS02FW



Terminal No.	Color of Wire	Signal Name [Specification]
1	BG	-
2	GR	-

Connector No.	B49
Connector Name	INSIDE KEY ANTENNA (TRUNK ROOM)
Connector Type	RK02FGY



Terminal No.	Color of Wire	Signal Name [Specification]
1	L	-
2	P	-

# CONNECTOR INFORMATION

[POWER SUPPLY & GROUND CIRCUIT]

< DTC/CIRCUIT DIAGNOSIS >

## BODY HARNESS

Connector No.	B59
Connector Name	WIRE TO WIRE
Connector Type	NS1BFW-CS



40	4	17	1	3	13
67	68	33	21	48	32
				69	8

Terminal No.	Color of Wire	Signal Name [Specification]
1	BG	-
1	SHIELD	-
3	L	-
3	SHIELD	-
4	SHIELD	-
8	Y	-
17	LG	-
17	SHIELD	-
19	P	-
19	SHIELD	-
21	Y	-
32	B	-
32	SHIELD	-
33	L	-
33	SHIELD	-
40	BR	-
48	B	-
48	SHIELD	-
67	BG	-
68	GR	-
69	R	-



1	2	3	4
---	---	---	---

Connector No.	B60
Connector Name	REAR COMBINATION LAMP LH
Connector Type	NS5AFW-CS

Terminal No.	V
Color of Wire	-
Signal Name [Specification]	-

2	LG
3	SB
4	B



Connector No.	B62
Connector Name	WIRE TO WIRE
Connector Type	MODFW-LC

16	1
14	15
2	

Terminal No.	Color of Wire	Signal Name [Specification]
1	L	-
2	B	-
14	BG	-
15	GR	-
16	R	-

Connector No.	B63
Connector Name	OUTSIDE KEY ANTENNA (REAR BUMPER)
Connector Type	RK02FGY



1	2
---	---

Terminal No.	1
Color of Wire	BR
Signal Name [Specification]	-

Connector No.	B64
Connector Name	WIRE TO WIRE
Connector Type	RK02FGY



Connector No.	B66
Connector Name	WIRE TO WIRE
Connector Type	TR03MP-NH

Terminal No.	1
Color of Wire	R
2	B
Signal Name [Specification]	-

Connector No.	B66
Connector Name	WIRE TO WIRE
Connector Type	TR03MP-NH



1	2	3	4
---	---	---	---

Terminal No.	1
Color of Wire	B
2	SHIELD
3	W
4	R
Signal Name [Specification]	-

Connector No.	B67
Connector Name	REAR COMBINATION LAMP RH
Connector Type	NS5AFW-CS



1	2	3	4
---	---	---	---

Terminal No.	Color of Wire	Signal Name [Specification]
--------------	---------------	-----------------------------

1	R
2	LG
3	V
4	B



Connector No.	B68
Connector Name	WIRE TO WIRE
Connector Type	RK06FGY



3	2	1
6	5	

Terminal No.	Color of Wire	Signal Name [Specification]
1	R	-
2	W	-
3	BR	-
5	Y	-
6	L	-

Connector No.	B63
Connector Name	AIR BAG DIAGNOSIS SENSOR UNIT
Connector Type	NR22FY-V-EX



35	36	31	32
	26		
		55	47
		48	28
		11	10

Terminal No.	Color of Wire	Signal Name [Specification]
11	Y	-
26	L	-
29	LG	-
31	Y	-
32	Y	-
35	Y	-
36	Y/B	-
47	G	-
48	R	-
55	SHIELD	-

A B C D E F G H I J K L PG N O P

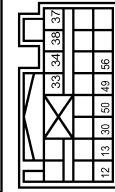
# CONNECTOR INFORMATION

< DTC/CIRCUIT DIAGNOSIS >

[POWER SUPPLY & GROUND CIRCUIT]

## BODY HARNESS

Connector No.	B84
Connector Name	AIR BAG DIAGNOSIS SENSOR UNIT
Connector Type	IN12FY-2V-EX



Terminal No.	Color of Wire	Signal Name [Specification]
12	Y	-
13	Y	-
30	SB	-
33	Y	-
34	Y	-
37	Y	-
38	Y/B	-
48	P	-
50	L	-
56	SHIELD	-

Connector No.	B91
Connector Name	WIRE TO WIRE
Connector Type	FK02M0Y



Terminal No.	Color of Wire	Signal Name [Specification]
1	-	-
2	-	-

Connector No.	B92
Connector Name	LICENSE PLATE LAMP LH
Connector Type	RV02FBR



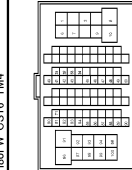
Terminal No.	Color of Wire	Signal Name [Specification]
1	G	-
2	B	-

Connector No.	B93
Connector Name	LICENSE PLATE LAMP RH
Connector Type	RV02FBR



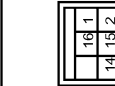
Terminal No.	Color of Wire	Signal Name [Specification]
1	G	-
2	B	-

Connector No.	B201
Connector Name	WIRE TO WIRE
Connector Type	TH80FW-CS16-TM4



Terminal No.	Color of Wire	Signal Name [Specification]
1	BR	-
3	W	-

Connector No.	B209
Connector Name	WIRE TO WIRE
Connector Type	MB8FW-LC



Terminal No.	Color of Wire	Signal Name [Specification]
1	R	-
2	B	-
14	L	-
15	V	-
16	BR	-

Connector No.	B212
Connector Name	FRONT RH SIDE AIR BAG MODULE
Connector Type	TK02FY-EX-IV



Terminal No.	Color of Wire	Signal Name [Specification]
1	Y	-
2	Y	-

5	P	-
6	L	-
7	V	-
9	LG	-
10	L	-
31	L	-
32	P	-
33	G	-
34	R	-
40	GR	-
41	LG	-
42	BG	-
43	R	-
45	G	-
46	SHIELD	-
47	G	-
48	Y	-
49	SHIELD	-
50	W	-
71	R	-
80	BG	-
81	SHIELD	-
82	G	-
83	P	-
84	L	-
85	SHIELD	-
86	G	-
87	R	-
88	W	-
89	B	-
90	Y	-
91	V	-
92	R	- [Without rear anti-pinch system]
92	W	- [With rear anti-pinch system]
93	BG	- [With rear anti-pinch system]
93	BR	- [Without rear anti-pinch system]
94	R	-
95	SB	-
96	G	-
97	GR	-
98	BR	-
99	P	-
100	L	-

JRMWD3237GB



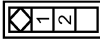
# CONNECTOR INFORMATION

< DTC/CIRCUIT DIAGNOSIS >

[POWER SUPPLY & GROUND CIRCUIT]

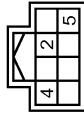
## BODY HARNESS

Connector No.	B213
Connector Name	SEAT BELT BUCKLE SWITCH (PASSENGER SIDE)
Connector Type	A05FW



Terminal No.	Color of Wire	Signal Name [Specification]
1	LG	-
2	B	-

Connector No.	B214
Connector Name	OCCUPANT CLASSIFICATION SYSTEM CONTROL UNIT
Connector Type	TH08FW-NH



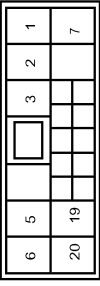
Terminal No.	Color of Wire	Signal Name [Specification]
2	L	COMMUNICATION
4	R	IGN
5	B	GROUND

Connector No.	B216
Connector Name	FRONT DOOR SWITCH (PASSENGER SIDE)
Connector Type	A05FW



Terminal No.	Color of Wire	Signal Name [Specification]
2	GR	-

Connector No.	B218
Connector Name	WIRE TO WIRE
Connector Type	NH10FW-CS10



Terminal No.	Color of Wire	Signal Name [Specification]
1	W	-
2	R	- [Without rear anti-pinch system]
3	W	- [With rear anti-pinch system]
5	EG	- [With rear anti-pinch system]
6	BR	- [Without rear anti-pinch system]
7	G	-
9	V	-
19	B	-
20	L	-

Connector No.	B219
Connector Name	FRONT RH SEAT BELT PRE-TENSIONER
Connector Type	ACB02FY



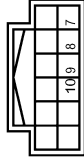
Terminal No.	Color of Wire	Signal Name [Specification]
1	Y	-
2	Y	-

Connector No.	B220
Connector Name	RH SIDE AIR BAG (SATELLITE) SENSOR
Connector Type	HK02FY-IV-EX-LC



Terminal No.	Color of Wire	Signal Name [Specification]
1	G	-
2	R	-

Connector No.	B221
Connector Name	WIRE TO WIRE
Connector Type	TH12FW-NH



Terminal No.	Color of Wire	Signal Name [Specification]
7	SHIELD	-
8	R	-
9	B	-
10	W	-

Connector No.	B223
Connector Name	REAR DOOR SWITCH RH
Connector Type	A05FW



Terminal No.	Color of Wire	Signal Name [Specification]
2	Y	-

2	BR	-
---	----	---



Connector No.	B225
Connector Name	RH SIDE CURTAIN AIR BAG MODULE
Connector Type	ACB02FY

Terminal No.	Color of Wire	Signal Name [Specification]
1	Y	-
2	Y/B	-

Connector No.	B228
Connector Name	PRE-CRASH SEAT BELT MOTOR RH
Connector Type	TEB02FW-2V



Terminal No.	Color of Wire	Signal Name [Specification]
1	P	-
2	L	-

JRMWD3238GB

A  
B  
C  
D  
E  
F  
G  
H  
I  
J  
K  
L  
PG  
N  
O  
P

# CONNECTOR INFORMATION

< DTC/CIRCUIT DIAGNOSIS >

[POWER SUPPLY & GROUND CIRCUIT]

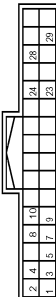
## BODY HARNESS

Connector No.	B236
Connector Name	SATELLITE RADIO TUNER
Connector Type	AI6FW



Terminal No.	Color of Wire	Signal Name [Specification]
1	G	SATELLITE RADIO SOUND SIGNAL LH (-)
2	R	SATELLITE RADIO SOUND SIGNAL LH (+)
3	W	SATELLITE RADIO SOUND SIGNAL RH (-)
4	B	SATELLITE RADIO SOUND SIGNAL RH (+)
5	SHIELD	SHIELD
6	SHIELD	SHIELD
8	G	REQUEST (SAT-CONT)
9	L	COMM (SAT-CONT)
10	P	COMM (CONT-SAT)
12	Y	BATTERY
16	BG	ACC

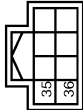
Connector No.	B237
Connector Name	TEL ADAPTER UNIT
Connector Type	TH22FW-NH



Terminal No.	Color of Wire	Signal Name [Specification]
1	GR	BATTERY
2	LG	ACC
3	BG	IGNITION
4	B	GROUND
5	SHIELD	SHIELD
7	R	MICROPHONE SIGNAL
8	SHIELD	MICROPHONE GND
9	Y	TEL VOICE SIGNAL (+)
10	G	TEL VOICE SIGNAL (-)
23	B	CONTROL SIGNAL
24	B	CONTROL SIGNAL

Terminal No.	28	W	VEHICLE SPEED (8-PULSE)
Terminal No.	29	G	MICROPHONE VCC

Connector No.	B238
Connector Name	TEL ADAPTER UNIT
Connector Type	TH08FW-NH



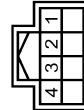
Terminal No.	Color of Wire	Signal Name [Specification]
35	SB	AV COMM (H)
36	LG	AV COMM (L)

Connector No.	B242
Connector Name	FUEL LID LOCK ACTUATOR
Connector Type	MD4FW-LC



Terminal No.	Color of Wire	Signal Name [Specification]
1	SB	
2	V	

Connector No.	B243
Connector Name	WIRE TO WIRE
Connector Type	TH08FW-NH



Terminal No.	Color of Wire	Signal Name [Specification]
1	B	
2	SHIELD	
3	W	
4	R	

Connector No.	B252
Connector Name	EVAP CONTROL SYSTEM PRESSURE SENSOR
Connector Type	ED2FGY-RS



Terminal No.	Color of Wire	Signal Name [Specification]
1	V	
2	LG	
3	BR	

Connector No.	B253
Connector Name	EVAP CANISTER VENT CONTROL VALVE
Connector Type	ED2FTB-RS



Terminal No.	Color of Wire	Signal Name [Specification]
1	W	
2	L	

Connector No.	B254
Connector Name	WIRE TO WIRE
Connector Type	RS30MB



Terminal No.	Color of Wire	Signal Name [Specification]
1	L	
2	BR	
3	LG	
5	W	
6	V	

Connector No.	B255
Connector Name	WIRE TO WIRE
Connector Type	FR06RMY



Terminal No.	Color of Wire	Signal Name [Specification]
1	R	
2	W	
3	B	
5	Y	
6	G	

# CONNECTOR INFORMATION

< DTC/CIRCUIT DIAGNOSIS >

[POWER SUPPLY & GROUND CIRCUIT]

## BODY HARNESS

Connector No.	B256
Connector Name	CORNER SENSOR REAR RH
Connector Type	YDX02FB



Terminal No.	Color of Wire	Signal Name [Specification]
1	B	-
2	Y	-

Connector No.	B257
Connector Name	CENTER SENSOR REAR RH
Connector Type	YDX02FB



Terminal No.	Color of Wire	Signal Name [Specification]
1	R	-
2	Y	-

Connector No.	B258
Connector Name	CENTER SENSOR REAR LH
Connector Type	YDX02FB



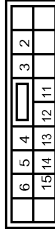
Terminal No.	Color of Wire	Signal Name [Specification]
1	G	-
2	Y	-

Connector No.	B259
Connector Name	CORNER SENSOR REAR LH
Connector Type	YDX02FB



Terminal No.	Color of Wire	Signal Name [Specification]
1	W	-
2	Y	-

Connector No.	B301
Connector Name	WIRE TO WIRE
Connector Type	NS16FH-CS



Terminal No.	Color of Wire	Signal Name [Specification]
2	BG	-
3	B	-
4	G	-
5	B	-
6	W	-
11	V	-
12	SHIELD	-
13	Y	-
14	W	-
15	R	-

Connector No.	B302
Connector Name	BACK-UP LAMP LH
Connector Type	NS32FW-CS



Terminal No.	Color of Wire	Signal Name [Specification]
1	BG	-
2	B	-

Connector No.	B303
Connector Name	TRUNK LID LOCK ASSEMBLY
Connector Type	TB33FW



Terminal No.	Color of Wire	Signal Name [Specification]
1	V	-
2	B	-
3	G	-

Connector No.	B304
Connector Name	TRUNK LID OPENER REQUEST SWITCH
Connector Type	TK02MR-P



Terminal No.	Color of Wire	Signal Name [Specification]
1	W	-

Connector No.	B305
Connector Name	REAR VIEW CAMERA
Connector Type	TH04MW-NH



Terminal No.	Color of Wire	Signal Name [Specification]
1	R	CAMERA ON SIGNAL
2	W	GROUND
3	Y	CAMERA IMAGE SIGNAL
4	SHIELD	SHIELD

Connector No.	B307
Connector Name	BACK-UP LAMP RH
Connector Type	NS32FW-CS



Terminal No.	Color of Wire	Signal Name [Specification]
1	BG	-
2	B	-

JRMWD3240GB

A  
B  
C  
D  
E  
F  
G  
H  
I  
J  
K  
L  
PG  
N  
O  
P

# CONNECTOR INFORMATION

< DTC/CIRCUIT DIAGNOSIS >

[POWER SUPPLY & GROUND CIRCUIT]

## BODY HARNESS

Connector No.	B331	Connector No.	B415
Connector Name	WIRE TO WIRE	Connector Name	RECLINING MOTOR
Connector Type	NS1BMW-CS	Connector Type	NS32FW-CS



Terminal No.	Color of Wire	Signal Name [Specification]	Terminal No.	Color of Wire	Signal Name [Specification]
2	W	-	3	G/Y	-
3	R	-	4	P	-
4	BR	-			
5	LG	-			
6	BG	-			
7	GR	-			
8	V	-			
9	SB	-			
10	G	-			



Connector No.	B332
Connector Name	WIRE TO WIRE
Connector Type	RS0NFB-FR



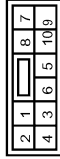
Terminal No.	Color of Wire	Signal Name [Specification]	Terminal No.	Color of Wire	Signal Name [Specification]
1	R	-	5	W	-
2	G	-	6	V	-
3	SB	-			
4	W	-			
5	W	-			
6	V	-			



Connector No.	B402
Connector Name	REAR WINDOW DEFOGGER
Connector Type	F01FB-A



Terminal No.	Color of Wire	Signal Name [Specification]	Terminal No.	Color of Wire	Signal Name [Specification]
2	-	-			



Terminal No.	Color of Wire	Signal Name [Specification]	Terminal No.	Color of Wire	Signal Name [Specification]
1	R	-	6	W	-
2	B	-	7	L/Y	-
3	G/Y	-	8	L	-
4	P	-	9	L/R	-
5	P	-	10	G/W	-
6	W	-			
7	L/Y	-			
8	L	-			
9	L/R	-			
10	G/W	-			

Connector No.	B333	Connector No.	B416
Connector Name	REAR WHEEL SENSOR RH	Connector Name	SLIDING MOTOR
Connector Type	AZ02FB1	Connector Type	0308-0239



Terminal No.	Color of Wire	Signal Name [Specification]	Terminal No.	Color of Wire	Signal Name [Specification]
1	BR	-			
2	LG	-			



Terminal No.	Color of Wire	Signal Name [Specification]	Terminal No.	Color of Wire	Signal Name [Specification]
1	BG	-			
2	GR	-			



Terminal No.	Color of Wire	Signal Name [Specification]	Terminal No.	Color of Wire	Signal Name [Specification]
1	W	-	9	L/R	-
			10	G/W	-



JRMWD3241 GB

# CONNECTOR INFORMATION

< DTC/CIRCUIT DIAGNOSIS >

[POWER SUPPLY & GROUND CIRCUIT]

## BODY HARNESS

Connector No.	B438
Connector Name	LIFTING MOTOR (REAR)
Connector Type	NS02FW-CS



Terminal No.	Color of Wire	Signal Name [Specification]
7	L/Y	-
8	L	-

Connector No.	B439
Connector Name	WIRE TO WIRE
Connector Type	M03MW-LC



Terminal No.	Color of Wire	Signal Name [Specification]
1	R	-
2	B	-
14	R	-
15	L/W	-
16	R/W	-

Connector No.	B435
Connector Name	RECLINING MOTOR
Connector Type	NS02FW-CS



Terminal No.	Color of Wire	Signal Name [Specification]
3	G/Y	-
4	P	-

Connector No.	B436
Connector Name	SLIDING MOTOR
Connector Type	603E-0239



Terminal No.	Color of Wire	Signal Name [Specification]
5	W	-
6	V	-

Connector No.	B437
Connector Name	LIFTING MOTOR (FRONT)
Connector Type	NS02FW-CS



Terminal No.	Color of Wire	Signal Name [Specification]
9	L/R	-
10	G/W	-

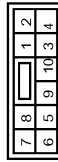
Terminal No.	Color of Wire	Signal Name [Specification]
1	-	-
2	-	-

Connector No.	B425
Connector Name	WIRE TO WIRE
Connector Type	M02MW-LC



Terminal No.	Color of Wire	Signal Name [Specification]
1	-	-
2	-	-

Connector No.	B434
Connector Name	POWER SEAT SWITCH
Connector Type	NS10FW-GS



Terminal No.	Color of Wire	Signal Name [Specification]
1	R	-
2	B	-
3	G/Y	-
4	P	-
5	W	-
6	V	-
7	L/Y	-
8	L	-
9	L/R	-
10	G/W	-

Connector No.	B418
Connector Name	LIFTING MOTOR (REAR)
Connector Type	NS02FW-CS



Terminal No.	Color of Wire	Signal Name [Specification]
7	L/Y	-
8	L	-

Connector No.	B421
Connector Name	WIRE TO WIRE
Connector Type	M03MW-LC



Terminal No.	Color of Wire	Signal Name [Specification]
1	R	-
2	B	-
14	R	-
15	L/W	-
16	R/W	-

Connector No.	B424
Connector Name	WIRE TO WIRE
Connector Type	M02FW-LC



A  
B  
C  
D  
E  
F  
G  
H  
I  
J  
K  
L  
PG  
N  
O  
P

JRMWD3242GB

# CONNECTOR INFORMATION

< DTC/CIRCUIT DIAGNOSIS >

[POWER SUPPLY & GROUND CIRCUIT]

## BODY HARNESS

Connector No.	B440
Connector Name	HEATED SEAT CONTROL UNIT
Connector Type	14925-1



Terminal No.	Color of Wire	Signal Name [Specification]
2	B	GROUND
14	R	HEATER (+)
15	L/W	HEATER SW
16	R/W	THERMISTOR INPUT
17	R/L	HEATER (-)
18	R/B	THERMISTOR OUTPUT

Connector No.	B441
Connector Name	SEAT CUSHION HEATER
Connector Type	S04FW



Terminal No.	Color of Wire	Signal Name [Specification]
2	B	-
16	R/W	-
17	R/L	-
18	R/B	-

Connector No.	B444
Connector Name	WIRE TO WIRE
Connector Type	M02FW-LC



Terminal No.	Color of Wire	Signal Name [Specification]
1	-	-
2	-	-

Connector No.	B445
Connector Name	WIRE TO WIRE
Connector Type	M02MMP-LC



Terminal No.	Color of Wire	Signal Name [Specification]
1	-	-
2	-	-

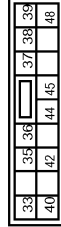
Connector No.	B451
Connector Name	DRIVER SEAT CONTROL UNIT
Connector Type	1H82FW



Terminal No.	Color of Wire	Signal Name [Specification]
1	L/W	RX
3	R/Y	CAN-H

8	LG	PARKING BRAKE SW
9	W/G	PULSE (RECLINING)
10	P/B	PULSE (RE LIFTING)
11	BR	SLIDING SW (BACKWARD)
12	SB	RECLINING SW (BACKWARD)
13	LG/R	FRONT LIFTING SW (DOWNWARD)
14	G/B	REAR LIFTING SW (DOWNWARD)
16	O	VCC
17	Y/R	TX
19	V	CAN-L
21	L/Y	P RANGE SW
24	R	PULSE (SLIDING)
25	Y/B	PULSE (FR LIFTING)
26	Y	SLIDING SW (FORWARD)
27	R/G	RECLINING SW (FORWARD)
28	W/B	FRONT LIFTING SW (UPWARD)
29	P/L	REAR LIFTING SW (UPWARD)
31	GR	SENSOR GND
32	B/W	GND (SIGNAL)

Connector No.	B452
Connector Name	DRIVER SEAT CONTROL UNIT
Connector Type	NS18FW-OS



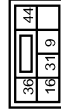
Terminal No.	Color of Wire	Signal Name [Specification]
33	R	BAT (C/B)
35	W/R	SLIDING MOTOR (FORWARD)
36	G/Y	RECLINING MOTOR (FORWARD)
37	G/W	FRONT LIFTING MOTOR (DOWNWARD)
38	L/Y	REAR LIFTING MOTOR (UPWARD)
39	R/B	REAR LIFTING MOTOR (BACKWARD)
40	R/W	BAT (FUSE)
42	W/B	SLIDING MOTOR (BACKWARD)
44	P	RECLINING MOTOR (BACKWARD)
45	L/R	FRONT LIFTING MOTOR (UPWARD)
48	B	GND (POWER)

Connector No.	B453
Connector Name	SLIDING SENSOR
Connector Type	6089-0241



Terminal No.	Color of Wire	Signal Name [Specification]
16	O	-
24	R	-
31	GR	-

Connector No.	B454
Connector Name	RECLINING MOTOR
Connector Type	NS06FW-CS



Terminal No.	Color of Wire	Signal Name [Specification]
9	W/G	-
16	O	-
31	GR	-
36	G/Y	-
44	P	-

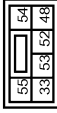
# CONNECTOR INFORMATION

< DTC/CIRCUIT DIAGNOSIS >

[POWER SUPPLY & GROUND CIRCUIT]

## BODY HARNESS

Connector No.	B465
Connector Name	SIDE SUPPORT UNIT
Connector Type	NS06FW-CS



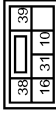
Terminal No.	Color of Wire	Signal Name [Specification]
33	R	-
48	B	-
52	G	- [With automatic drive positioner]
53	GR	- [Without automatic drive positioner]
54	B/R	- [With automatic drive positioner]
55	W/R	- [Without automatic drive positioner]
54	BR	- [With automatic drive positioner]
35	R/L	- [Without automatic drive positioner]
55	LG	- [With automatic drive positioner]

Connector No.	B466
Connector Name	HEATED SEAT CONTROL UNIT
Connector Type	174823-1



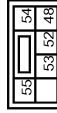
Terminal No.	Color of Wire	Signal Name [Specification]
48	B	GROUND
67	R	HEATER (+)
68	L	HEATER SW
69	L/W	THERMISTOR INPUT
70	BR/W	HEATER (+) [With automatic drive positioner]
71	R/W	HEATER (+) [With automatic drive positioner]
71	L/W	THERMISTOR OUTPUT [Without automatic drive positioner]
71	R/L	THERMISTOR OUTPUT [With automatic drive positioner]

Connector No.	B463
Connector Name	LIFTING MOTOR (REAR)
Connector Type	NS06FER-CS



Terminal No.	Color of Wire	Signal Name [Specification]
10	P/B	-
16	O	-
31	GR	-
38	L/Y	-
39	R/B	-

Connector No.	B464
Connector Name	SIDE SUPPORT SWITCH
Connector Type	NS06FW-CS



Terminal No.	Color of Wire	Signal Name [Specification]
48	B	-
52	G	- [With automatic drive positioner]
53	GR	- [Without automatic drive positioner]
54	B/R	- [With automatic drive positioner]
55	W/R	- [Without automatic drive positioner]
54	Y/W	- [Without automatic drive positioner]
54	BR	- [With automatic drive positioner]
55	R/L	- [Without automatic drive positioner]
55	LG	- [With automatic drive positioner]

Connector No.	B461
Connector Name	SLIDING MOTOR
Connector Type	808P-0239



Terminal No.	Color of Wire	Signal Name [Specification]
35	W/R	-
42	W/B	-

Connector No.	B462
Connector Name	WIRE TO WIRE
Connector Type	NS16MW-CS



Terminal No.	Color of Wire	Signal Name [Specification]
1	BG	-
3	L	-
8	Y	-
17	LG	-
19	P	-
21	Y	-
32	B	-
33	L	-
40	BR	-
48	B	-
67	G	-
68	Y	-
69	GR	-

Connector No.	B465
Connector Name	LIFTING MOTOR (FRONT)
Connector Type	NS06FW-CS



Terminal No.	Color of Wire	Signal Name [Specification]
16	O	-
25	Y/B	-
31	GR	-
37	G/W	-
45	L/R	-

Connector No.	B468
Connector Name	POWER SEAT SWITCH
Connector Type	NS10FW-CS



Terminal No.	Color of Wire	Signal Name [Specification]
11	BR	-
12	SB	-
13	LG/R	-
14	G/B	-
26	Y	-
27	R/G	-
28	W/B	-
29	P/L	-
32	B/W	-

JRMWD3244GB

A  
B  
C  
D  
E  
F  
G  
H  
I  
J  
K  
L  
PG  
N  
O  
P

# CONNECTOR INFORMATION

< DTC/CIRCUIT DIAGNOSIS >

[POWER SUPPLY & GROUND CIRCUIT]

## BODY HARNESS

Connector No.	B467
Connector Name	SEAT CUSHION HEATER
Connector Type	ESCFIV



Terminal No.	Color of Wire	Signal Name [Specification]
48	B	-
69	BR/W	-
70	R/W	- [Without automatic drive positioner] - [With automatic drive positioner]
70	L/W	- [Without automatic drive positioner] - [With automatic drive positioner]
71	R/L	- [Without automatic drive positioner] - [With automatic drive positioner]
71	R/B	- [With automatic drive positioner]

Connector No.	B471
Connector Name	TEL ADAPTER UNIT
Connector Type	GT18C-IS-HU



Terminal No.	Color of Wire	Signal Name [Specification]
33	-	TEL-ANTENNA
34	SHIELD	SHIELD

Connector No.	B462
Connector Name	SATELLITE RADIO TUNER
Connector Type	FAKRA CONNECTOR



Terminal No.	Color of Wire	Signal Name [Specification]
33	-	SATELLITE ANTENNA
34	SHIELD	SHIELD

Connector No.	B483
Connector Name	SATELLITE RADIO ANTENNA
Connector Type	GT18C-IPP-HU



Terminal No.	Color of Wire	Signal Name [Specification]
1	-	-
2	SHIELD	-

JRMWD3245GB



# CONNECTOR INFORMATION

[POWER SUPPLY & GROUND CIRCUIT]

< DTC/CIRCUIT DIAGNOSIS >

## D Door Harness

INFOID:000000008294890

### DOOR HARNESS

Connector No.	D1
Connector Name	WIRE TO WIRE
Connector Type	TH14FW-CS15



Terminal No.	Color of Wire	Signal Name [Specification]
1	Y	-
2	B	-
3	SB	-
4	V	-
5	GR	-
6	W	-
7	BG	-
8	L	-
9	P	-
10	LG	-
11	BR	-
12	L	-
13	W	-
14	G	-
15	R	-
16	GR	-
17	L	-
18	BR	-
19	BG	-
20	P	-
21	R	-
25	V	-
26	R	-
27	BR	-
28	W	-
29	Y	-
30	G	-
31	LG	-
32	GR	-
33	B	-
36	W	-
37	P	-
38	V	-
39	BR	-
42	G	-
43	GR	-
44	BG	-
47	V	-

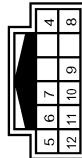
48	R	-
49	SB	-
50	W	-
51	P	-
52	V	-

Connector No.	D2
Connector Name	TWEETER LH
Connector Type	TK02MBR-P



Terminal No.	Color of Wire	Signal Name [Specification]
1	L	-
2	W	-

Connector No.	D3
Connector Name	DOOR MIRROR (DRIVER SIDE)
Connector Type	TH12MW-WH



Terminal No.	Color of Wire	Signal Name [Specification]
4	V	-
5	BG	-
6	GR	-
7	G	-
8	B	-
9	P	-
10	BR	-
11	W	-
12	V	-

Connector No.	D4
Connector Name	TWEETER LH
Connector Type	TK02FER



Terminal No.	Color of Wire	Signal Name [Specification]
1	L	-
2	W	-

Connector No.	D5
Connector Name	SEAT MEMORY SWITCH
Connector Type	ABSPW



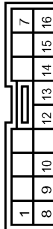
Terminal No.	Color of Wire	Signal Name [Specification]
1	L	-
2	BR	-
3	GR	-
4	B	-
5	R	-
6	BG	-
7	P	-

Connector No.	D6
Connector Name	FRONT DOOR SPEAKER LH
Connector Type	NS02FW-CS



Terminal No.	Color of Wire	Signal Name [Specification]
1	L	-
2	W	-

Connector No.	D7
Connector Name	DOOR MIRROR REMOTE CONTROL SWITCH
Connector Type	TK16PW



Terminal No.	Color of Wire	Signal Name [Specification]
1	B	-
7	V	-
8	B	-
9	R	-
10	G	-
12	G	-
13	GR	-
14	GR	-
15	BG	-
16	BG	-

A  
B  
C  
D  
E  
F  
G  
H  
I  
J  
K  
L  
PG  
N  
O  
P

# CONNECTOR INFORMATION

< DTC/CIRCUIT DIAGNOSIS >

[POWER SUPPLY & GROUND CIRCUIT]

## DOOR HARNESS

Connector No.	D8
Connector Name	POWER WINDOW MAIN SWITCH
Connector Type	NS18FW-CS



Terminal No.	Color of Wire	Signal Name [Specification]
1	W	-
2	LG	-
3	GR	-
4	V	-
5	BG	-
6	Y	-
7	BR	-
8	L	-
9	BG	-
10	SB	-
11	G	-
13	P	-
14	V	-
15	B	-

Connector No.	D9
Connector Name	POWER WINDOW MAIN SWITCH
Connector Type	NS13FW-CS



Terminal No.	Color of Wire	Signal Name [Specification]
17	B	-
19	Y	-

Connector No.	D10
Connector Name	FRONT POWER WINDOW MOTOR (DRIVER SIDE)
Connector Type	NS18FW-CS



Terminal No.	Color of Wire	Signal Name [Specification]
1	G	-
2	L	-
3	BG	-
4	B	-
5	P	-
6	LG	-

Connector No.	D11
Connector Name	FRONT DOOR WOOFER LH
Connector Type	NS12FW-CS



Terminal No.	Color of Wire	Signal Name [Specification]
1	G	-
2	R	-

Connector No.	D12
Connector Name	STEP LAMP (DRIVER SIDE)
Connector Type	TBD2FW



Terminal No.	Color of Wire	Signal Name [Specification]
1	R	-
2	SB	-

Connector No.	D13
Connector Name	FRONT OUTSIDE HANDLE LH (REQUEST SWITCH)
Connector Type	RK02FL



Terminal No.	Color of Wire	Signal Name [Specification]
1	W	-
2	B	-

Connector No.	D14
Connector Name	FRONT OUTSIDE HANDLE LH (OUTSIDE KEY ANTENNA)
Connector Type	RK02MGY



Terminal No.	Color of Wire	Signal Name [Specification]
1	P	-
2	Y	-

Connector No.	D15
Connector Name	FRONT DOOR LOCK ASSEMBLY (DRIVER SIDE)
Connector Type	EC8FGY-RS



Terminal No.	Color of Wire	Signal Name [Specification]
1	LG	-
2	P	-
3	L	-
4	B	-
5	Y	-
6	V	-

Connector No.	D16
Connector Name	FRONT DOOR SQUAWKER LH
Connector Type	TK02FBR



Terminal No.	Color of Wire	Signal Name [Specification]
1	L	-
2	W	-

JRMWD3247GB

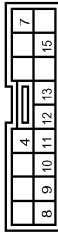
# CONNECTOR INFORMATION

< DTC/CIRCUIT DIAGNOSIS >

[POWER SUPPLY & GROUND CIRCUIT]

## DOOR HARNESS

Connector No.	D17
Connector Name	DOOR MIRROR REMOTE CONTROL SWITCH
Connector Type	TK16FER



Terminal No.	Color of Wire	Signal Name [Specification]
4	BR	-
7	B	-
8	B	-
9	R	-
10	GR	-
11	LG	-
12	G	-
13	W	-
15	Y	-

Connector No.	D31
Connector Name	WIRE TO WIRE
Connector Type	TH10FW-CS15



Terminal No.	Color of Wire	Signal Name [Specification]
1	Y	-
2	V	-
3	B	-
7	LG	-
8	P	-
10	L	-
11	W	-
12	G	-
13	R	-
16	W	-
37	P	-
38	V	-
39	BR	-

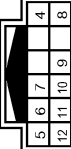
42	L	-
43	GR	-
44	BG	-
45	G	-
47	R	-
48	SB	-
49	W	-
50	P	-
51	V	-
52	GR	-
53	BG	-
54	G	-

Connector No.	D32
Connector Name	TWEETER RH
Connector Type	TK02MR-P



Terminal No.	Color of Wire	Signal Name [Specification]
1	L	-
2	W	-

Connector No.	D33
Connector Name	DOOR MIRROR (PASSENGER SIDE)
Connector Type	TH12MW-NH



Terminal No.	Color of Wire	Signal Name [Specification]
4	L	-
5	BG	-
6	GR	-
7	G	-
8	B	-
9	P	-

10	BR	-
11	W	-
12	V	-

Connector No.	D34
Connector Name	TWEETER RH
Connector Type	TK02FER



Terminal No.	Color of Wire	Signal Name [Specification]
1	L	-
2	W	-

Connector No.	D36
Connector Name	FRONT DOOR SPEAKER RH
Connector Type	NS02FW-CS



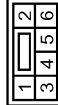
Terminal No.	Color of Wire	Signal Name [Specification]
1	L	-
2	W	-

Connector No.	D38
Connector Name	FRONT POWER WINDOW SWITCH (PASSENGER SIDE)
Connector Type	NS16FW-CS



Terminal No.	Color of Wire	Signal Name [Specification]
3	LG	-
4	B	-
8	L	-
9	G	-
10	Y	-
11	B	-
12	P	-
15	BG	-
16	V	-

Connector No.	D40
Connector Name	FRONT POWER WINDOW MOTOR (PASSENGER SIDE)
Connector Type	NS06FW-CS



Terminal No.	Color of Wire	Signal Name [Specification]
1	G	-
2	L	-
3	BG	-
4	B	-
5	P	-
6	LG	-

JRMWD3248GB

A  
B  
C  
D  
E  
F  
G  
H  
I  
J  
K  
L  
PG  
N  
O  
P

# CONNECTOR INFORMATION

< DTC/CIRCUIT DIAGNOSIS >

[POWER SUPPLY & GROUND CIRCUIT]

## DOOR HARNESS

Connector No.	D41
Connector Name	FRONT DOOR WOOFER RH
Connector Type	NS22FW-CS



Terminal No.	Color of Wire	Signal Name [Specification]
1	G	-
2	R	-

Connector No.	D42
Connector Name	STEP LAMP (PASSENGER SIDE)
Connector Type	TB22FW



Terminal No.	Color of Wire	Signal Name [Specification]
1	R	-
2	SB	-

Connector No.	D43
Connector Name	FRONT OUTSIDE HANDLE RH (REQUEST SWITCH)
Connector Type	RK22FL



Terminal No.	Color of Wire	Signal Name [Specification]
1	W	-
2	B	-

Connector No.	D44
Connector Name	FRONT OUTSIDE HANDLE RH (OUTSIDE REY ANTENNA)
Connector Type	RK22MGY



Terminal No.	Color of Wire	Signal Name [Specification]
1	P	-
2	V	-

Connector No.	D45
Connector Name	FRONT DOOR LOCK ASSEMBLY (PASSENGER SIDE)
Connector Type	EB2FGY-RS



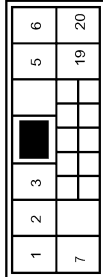
Terminal No.	Color of Wire	Signal Name [Specification]
1	P	-
2	LG	-

Connector No.	D46
Connector Name	FRONT DOOR SQUAWKER RH
Connector Type	TK22BR



Terminal No.	Color of Wire	Signal Name [Specification]
1	L	-
2	W	-

Connector No.	D51
Connector Name	WIRE TO WIRE
Connector Type	NH15MH-CS/D



Terminal No.	Color of Wire	Signal Name [Specification]
1	V	-
2	R	- [Without rear anti-pinch system]
3	W	- [With rear anti-pinch system]
5	G	-
6	V	-
7	B	-
19	L	-
20	P	-

Connector No.	D52
Connector Name	REAR POWER WINDOW MOTOR LH
Connector Type	RS20FG



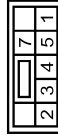
Terminal No.	Color of Wire	Signal Name [Specification]
1	G	-
2	L	-
3	SB	-
4	BR	-
5	GR	-
6	BG	-

Connector No.	D53
Connector Name	REAR DOOR SPEAKER LH
Connector Type	NS22FW-CS



Terminal No.	Color of Wire	Signal Name [Specification]
1	L	-
2	P	-

Connector No.	D54
Connector Name	REAR POWER WINDOW SWITCH LH (WITHOUT REAR ANTI-PINCH SYSTEM)
Connector Type	NS22FW-CS



Terminal No.	Color of Wire	Signal Name [Specification]
1	Y	-
2	V	-
3	R	-
4	L	-
5	G	-
7	B	-

JRMWD3249GB

# CONNECTOR INFORMATION

< DTC/CIRCUIT DIAGNOSIS >

[POWER SUPPLY & GROUND CIRCUIT]

## DOOR HARNESS

Connector No.	D55
Connector Name	REAR DOOR LOCK ASSEMBLY LH
Connector Type	E08FGY-RS



Terminal No.	Color of Wire	Signal Name [Specification]
1	V	-
2	G	-
5	V	-
6	G	-

Connector No.	D56
Connector Name	REAR DOOR SPEAKER LH
Connector Type	NS02FBR-CS



Terminal No.	Color of Wire	Signal Name [Specification]
1	L	-
2	P	-

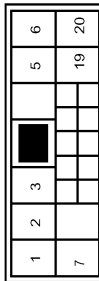
Connector No.	D57
Connector Name	REAR POWER WINDOW SWITCH LH
Connector Type	NS16FW-CS



Terminal No.	Color of Wire	Signal Name [Specification]
3	4	-
10	11	-
12	15	-
16	-	-

3	BR	-
4	SB	-
8	W	-
9	L	-
10	W	-
11	B	-
12	GR	-
15	BG	-
16	Y	-

Connector No.	D71
Connector Name	WIRE TO WIRE
Connector Type	NH10MW-CS10



Terminal No.	Color of Wire	Signal Name [Specification]
1	V	-
2	R	- [Without rear anti-pinch system]
2	Y	- [With rear anti-pinch system]
3	W	-
5	P	-
8	LG	-
7	B	-
19	L	-
20	P	-

Connector No.	D72
Connector Name	REAR POWER WINDOW MOTOR RH
Connector Type	FS08FG



Terminal No.	Color of Wire	Signal Name [Specification]
1	G	- [Without rear anti-pinch system]
1	W	- [With rear anti-pinch system]

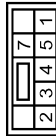
2	SB	-
3	L	-
4	BR	-
5	GR	-
6	BG	-

Connector No.	D73
Connector Name	REAR DOOR SPEAKER RH
Connector Type	NS02FW-CS



Terminal No.	Color of Wire	Signal Name [Specification]
1	L	-
2	P	-

Connector No.	D74
Connector Name	REAR POWER WINDOW SWITCH RH [WITHOUT REAR ANTI-PINCH SYSTEM]
Connector Type	NS02FW-CS



Terminal No.	Color of Wire	Signal Name [Specification]
1	W	-
2	V	-
3	R	-
4	L	-
5	G	-
7	B	-

Connector No.	D75
Connector Name	REAR DOOR LOCK ASSEMBLY RH
Connector Type	E08FGY-RS



Terminal No.	Color of Wire	Signal Name [Specification]
1	P	-
2	LG	-
5	G	-
6	V	-

Connector No.	D76
Connector Name	REAR DOOR SPEAKER RH
Connector Type	NS02FBR-CS



Terminal No.	Color of Wire	Signal Name [Specification]
1	L	-
2	P	-

JRMWD3250GB

A  
B  
C  
D  
E  
F  
G  
H  
I  
J  
K  
L  
N  
O  
P

PG

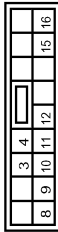
# CONNECTOR INFORMATION

< DTC/CIRCUIT DIAGNOSIS >

[POWER SUPPLY & GROUND CIRCUIT]

## DOOR HARNESS

Connector No.	D77
Connector Name	REAR POWER WINDOW SWITCH RH
Connector Type	MS16FW-05



Terminal No.	Color of Wire	Signal Name [Specification]
3	BR	-
4	SB	-
8	W	-
9	L	-
10	W	-
11	B	-
12	GR	-
15	BG	-
16	Y	-

JRMWD3251GB

# CONNECTOR INFORMATION

[POWER SUPPLY & GROUND CIRCUIT]

< DTC/CIRCUIT DIAGNOSIS >

## E Engine Room Harness

INFOID:000000008294891

### ENGINE ROOM HARNESS

Connector No.	E1
Connector Name	FUSIBLE LINK HOLDER
Connector Type	LOFBR-MC



Terminal No.	Color of Wire	Signal Name [Specification]
1	G	-
2	W	-

Connector No.	E2
Connector Name	FUSIBLE LINK HOLDER
Connector Type	LOFGB-MC



Terminal No.	Color of Wire	Signal Name [Specification]
3	L	-
4	R	-

Connector No.	E4
Connector Name	IPDM E/R INTELLIGENT POWER DISTRIBUTION MODULE (ENGINE ROOM)
Connector Type	LOFEB-MC



Terminal No.	Color of Wire	Signal Name [Specification]
1	W	-
2	L	-

Connector No.	E5
Connector Name	IPDM E/R INTELLIGENT POWER DISTRIBUTION MODULE (ENGINE ROOM)
Connector Type	TH10FW-CS12-M4-1V



Terminal No.	Color of Wire	Signal Name [Specification]
4	V	-
5	L	-
6	SB	-
7	P	-
12	B/W	-
13	Y	-
16	LG	-
19	R	-
25	G	-
26	Y	-
27	BG	-
28	L	-
30	GR	-
36	G	-

Connector No.	E6
Connector Name	IPDM E/R INTELLIGENT POWER DISTRIBUTION MODULE (ENGINE ROOM)
Connector Type	TH10FW-NH



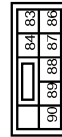
Terminal No.	Color of Wire	Signal Name [Specification]
39	P	-
40	L	-
41	B/W	-
42	GR	-
43	G	-
44	LG	-
45	V	-
46	SB	-

Connector No.	E7
Connector Name	IPDM E/R INTELLIGENT POWER DISTRIBUTION MODULE (ENGINE ROOM)
Connector Type	TH10FW-CS12-M4



Terminal No.	Color of Wire	Signal Name [Specification]
48	L	-
49	BG	-
51	Y	-
53	W	-
54	P	-
55	SB	-
56	BR	-
57	G	-
58	GR	-
69	BR	-
70	BG	-
73	P	-
74	G	-
75	SB	-
76	Y	-
77	R	-
80	W	-

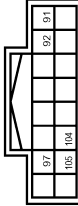
Connector No.	E8
Connector Name	IPDM E/R INTELLIGENT POWER DISTRIBUTION MODULE (ENGINE ROOM)
Connector Type	NS08FW-CS



Terminal No.	Color of Wire	Signal Name [Specification]
83	R	-
84	V	-
86	W	-
87	L	-
88	G	-

89	BR	-
90	P	-

Connector No.	E9
Connector Name	IPDM E/R INTELLIGENT POWER DISTRIBUTION MODULE (ENGINE ROOM)
Connector Type	TH10FW-NH



Terminal No.	Color of Wire	Signal Name [Specification]
91	G	-
92	BG	-
97	V	-
104	LG	-
105	L	-

Connector No.	E10
Connector Name	FUSIBLE LINK HOLDER
Connector Type	24380-JL00A



Terminal No.	Color of Wire	Signal Name [Specification]
N	Y	-

A  
B  
C  
D  
E  
F  
G  
H  
I  
J  
K  
L  
M  
N  
O  
P

PG

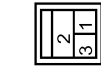
# CONNECTOR INFORMATION

[POWER SUPPLY & GROUND CIRCUIT]

< DTC/CIRCUIT DIAGNOSIS >

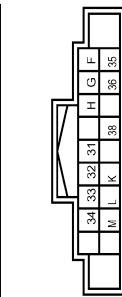
## ENGINE ROOM HARNESS

Connector No.	E11
Connector Name	HORN RELAY 1
Connector Type	Relay_24381_7950A



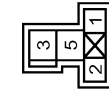
Terminal No.	Color of Wire	Signal Name [Specification]
1	LG	-
2	SB	-
3	G	-

Connector No.	E12
Connector Name	FUSE AND FUSIBLE LINK BLOCK
Connector Type	24381_7950A



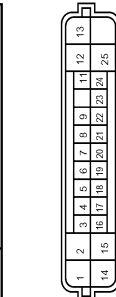
Terminal No.	Color of Wire	Signal Name [Specification]
31	SB	-
32	V	-
33	GR	-
34	LG	-
35	Y	-
36	BG	-
38	P	-
F	BR	-
G	W	-
H	V	-
K	W	-
L	BG	-
M	GR	-

Connector No.	E13
Connector Name	DAYTIME RUNNING LIGHT RELAY
Connector Type	MS22FL_M2-LC



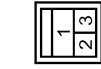
Terminal No.	Color of Wire	Signal Name [Specification]
1	SB	-
2	L	-
3	SB	-
5	BG	-

Connector No.	E15
Connector Name	VVEL CONTROL MODULE
Connector Type	RH18FB-AJ28-RH



Terminal No.	Color of Wire	Signal Name [Specification]
1	W	VMDT L
2	L/B	MOTOR L 1
3	G	VEL/S-R 1
4	W	AGND 1
5	R	VEL/S-L 1
6	B	AGND 3
7	SB	AVCC 3
8	BG	VB
9	LG	AVCC 1
11	GR	CAN-H
12	G	MOTOR R 1
13	Y	V-MOT (R)
14	B/W	PGND L
15	L/Y	MOTOR L 2
16	R	VEL S-R 2
17	L	AGND 2
18	G	VEL S-L 2
19	W	AGND 4

Connector No.	E18
Connector Name	HORN RELAY 2
Connector Type	MS3FW-R-LC



Terminal No.	Color of Wire	Signal Name [Specification]
1	P	-
2	Y	-
3	V	-

Connector No.	E19
Connector Name	FRONT FOG LAMP LH
Connector Type	FFZ02FB



Terminal No.	Color of Wire	Signal Name [Specification]
1	L	-
2	B/W	-

20	BR	AVCC 4
21	V	ABORT
22	P	AVCC 2
23	Y	M-RLY
24	L	CAN-L
25	BR	MOTOR R 2

Connector No.	E16
Connector Name	VVEL ACTUATOR MOTOR RELAY
Connector Type	24347_9F500



Terminal No.	Color of Wire	Signal Name [Specification]
1	Y	-
2	SB	-
3	W	-
5	SB	-

Connector No.	E17
Connector Name	COOLING FAN RELAY
Connector Type	24347_9F500



Terminal No.	Color of Wire	Signal Name [Specification]
1	G	-
2	GR	-
3	BR	-
5	R	-

JRMWD3253GB



# CONNECTOR INFORMATION

< DTC/CIRCUIT DIAGNOSIS >

[POWER SUPPLY & GROUND CIRCUIT]

## ENGINE ROOM HARNESS

Connector No.	E20
Connector Name	FRONT FOG LAMP RH
Connector Type	FH202FB

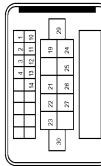


Terminal No.	Color of Wire	Signal Name [Specification]
1	W	-
2	B/W	-



Connector No.	E21
Connector Name	BATTERY CURRENT SENSOR
Connector Type	FH03FB

Terminal No.	Color of Wire	Signal Name [Specification]
1	P	-
2	W	-
3	G	-



Connector No.	E25
Connector Name	WIRE TO WIRE
Connector Type	SAA18MB-RS1P-SJZ2

Terminal No.	Color of Wire	Signal Name [Specification]
1	BG	-

2	G	-
3	Y	-
4	BR	-
10	V	-
11	R	-
12	P	-
13	W	-
14	SB	-
19	BG	-
21	P	-
22	L	-
23	BR	-
24	GR	-
25	Y	-
26	G	-
27	W	-
29	W	-
30	SB	-

Connector No.	E27
Connector Name	FRONT WHEEL SENSOR RH
Connector Type	AA202FB1



Terminal No.	Color of Wire	Signal Name [Specification]
1	B	-
2	W	-

Connector No.	E28
Connector Name	FRONT COMBINATION LAMP RH
Connector Type	RS08FB-PR



Terminal No.	Color of Wire	Signal Name [Specification]
1	B	-
2	W	-

3	B	-
4	B/W	-
5	R	-
6	V	-
7	BR	-
8	G	-

Connector No.	E30
Connector Name	HOOD SWITCH
Connector Type	FH02FB



Terminal No.	Color of Wire	Signal Name [Specification]
1	B	-
2	LG	-



Connector No.	E31
Connector Name	WASHER PUMP
Connector Type	ED02FY-RS



Terminal No.	Color of Wire	Signal Name [Specification]
1	G	-
2	SB	-

Connector No.	E32
Connector Name	WASHER LEVEL SWITCH
Connector Type	FZ02FB



Terminal No.	Color of Wire	Signal Name [Specification]
1	LG	-
2	B	-

Connector No.	E36
Connector Name	CRASH ZONE SENSOR
Connector Type	HK02FY-V-EX-LC



Terminal No.	Color of Wire	Signal Name [Specification]
1	P	-
2	L	-

JRMWD3254GB

A  
B  
C  
D  
E  
F  
G  
H  
I  
J  
K  
L  
N  
O  
P

PG

# CONNECTOR INFORMATION

< DTC/CIRCUIT DIAGNOSIS >

[POWER SUPPLY & GROUND CIRCUIT]

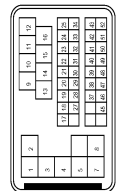
## ENGINE ROOM HARNESS

Connector No.	E37
Connector Name	COOLING FAN CONTROL MODULE
Connector Type	SJZD1FGY-SNZ2



Terminal No.	Color of Wire	Signal Name [Specification]
1	B	-
2	V	-
3	R	-

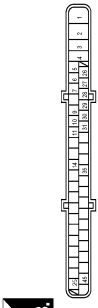
Connector No.	E40
Connector Name	WIRE TO WIRE
Connector Type	SAA39MB-RSS-SH2B



Terminal No.	Color of Wire	Signal Name [Specification]
1	L/Y	-
2	SHIELD	-
3	L/B	-
4	SHIELD	-
5	BR	-
7	G	-
8	W	-
9	W	-
10	Y	-
11	P	-
12	SB	-
13	L	-
14	G	-
15	BG	-
16	BR	-
17	P	-
18	Y	-
19	BG	-
20	B	-

21	SB	-
22	W	DS FR
23	L	DIAC-K
24	GR	GAN-L
25	V	BUS-L
26	LG	DP FL
27	GR	DS RL
28	V	G
29	P	DS RR
30	R	SB
31	BR	VDC OFF SW
32	Y	GAN-H
33	G	BUS-H
34	BG	-
37	SHIELD	-
38	L	-
39	P	-
40	R	-
41	W	-
42	LG	-
43	G	-
45	GR	-
46	SHIELD	-
47	W	-
48	BR	-
49	G	-
50	B	-
51	SB	-
52	R	-

Connector No.	E41
Connector Name	ABS ACTUATOR AND ELECTRIC UNIT (CONTROL UNIT)
Connector Type	BAA42FB-AH24-LH



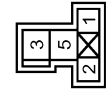
Terminal No.	Color of Wire	Signal Name [Specification]
1	B	GROUND
2	GR	UBMR
3	BG	UBVR
4	B	GROUND
5	Y	DS FL
6	BG	DP RL
7	BR	DP RR
9	B	DP FR

Connector No.	E48
Connector Name	BRAKE BOOSTER PRESSURE SENSOR
Connector Type	FR032FB



Terminal No.	Color of Wire	Signal Name [Specification]
1	Y	-
2	BG	-
3	B	-

Connector No.	E51
Connector Name	ICC BRAKE HOLD RELAY
Connector Type	MS02FL-MP-LC



Terminal No.	Color of Wire	Signal Name [Specification]
1	B	-
2	SB	-
3	L	-
5	W	-

10	W	DS FR
11	V	DIAC-K
14	P	GAN-L
23	Y	BUS-L
26	LG	DP FL
27	GR	DS RL
28	G	UZ
29	P	DS RR
30	SB	BLS
31	R	VDC OFF SW
35	L	GAN-H
45	B	BUS-H

Connector No.	E42
Connector Name	FRONT WIPER MOTOR
Connector Type	HS02FGY



Terminal No.	Color of Wire	Signal Name [Specification]
1	V	-
2	B/W	-
4	L	-
5	LG	-

Connector No.	E47
Connector Name	BRAKE FLUID LEVEL SWITCH
Connector Type	YV02FGY



Terminal No.	Color of Wire	Signal Name [Specification]
1	R	-
2	B	-

JRMWD3255GB

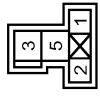
# CONNECTOR INFORMATION

< DTC/CIRCUIT DIAGNOSIS >

[POWER SUPPLY & GROUND CIRCUIT]

## ENGINE ROOM HARNESS

Connector No.	E52
Connector Name	SHIFT LOCK RELAY
Connector Type	MS22FL-M2-LC



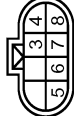
Terminal No.	Color of Wire	Signal Name [Specification]
1	GR	-
2	W	-
3	V	-
5	G	-

Connector No.	E57
Connector Name	INTELLIGENT KEY WARNING BELLER ENGINE ROOM
Connector Type	RK03FBR



Terminal No.	Color of Wire	Signal Name [Specification]
1	GR	-
3	LG	-

Connector No.	E58
Connector Name	FRONT COMBINATION LAMP LH
Connector Type	RS08FB-PR



Terminal No.	Color of Wire	Signal Name [Specification]

3	B	-
4	B/W	-
5	V	-
6	GR	-
7	P	-
8	BG	-

Connector No.	E60
Connector Name	FRONT WHEEL SENSOR LH
Connector Type	AZ02FBI



Terminal No.	Color of Wire	Signal Name [Specification]
1	LG	-
2	Y	-

Connector No.	E61
Connector Name	HORN (HIGH)
Connector Type	F01FB-BR-A



Terminal No.	Color of Wire	Signal Name [Specification]
1	Y	-

Connector No.	E62
Connector Name	HORN (HIGH)
Connector Type	F01FB-A



Terminal No.	Color of Wire	Signal Name [Specification]
2	B	-

Connector No.	E67
Connector Name	ICC SENSOR INTEGRATED UNIT
Connector Type	RS08FB-PR



Terminal No.	Color of Wire	Signal Name [Specification]
1	Y	IGNITION
2	SB	BRAKE HOLD RLY DRIVE SIGNAL
3	L	CAN-H
4	B	GROUND
6	P	CAN-L

Connector No.	E69
Connector Name	HORN (LOW)
Connector Type	F01FB-BR-A



Terminal No.	Color of Wire	Signal Name [Specification]

1	G	-
---	---	---

Connector No.	E70
Connector Name	HORN (LOW)
Connector Type	F01FB-A



Terminal No.	Color of Wire	Signal Name [Specification]
2	B	-

Connector No.	E75
Connector Name	EXHAUST GAS / OUTSIDE DOOR DETECTING SENSOR
Connector Type	RH03FB



Terminal No.	Color of Wire	Signal Name [Specification]
1	BR	POWER
2	P	GROUND
3	L	EXHAUST GAS / OUTSIDE DOOR DETECTING SENSOR SIGNAL

JRMWD3256GB

A  
B  
C  
D  
E  
F  
G  
H  
I  
J  
K  
L  
M  
N  
O  
P

PG

# CONNECTOR INFORMATION

< DTC/CIRCUIT DIAGNOSIS >

[POWER SUPPLY & GROUND CIRCUIT]

## ENGINE ROOM HARNESS

Connector No.	E176
Connector Name	AMBIENT SENSOR
Connector Type	FS02FB



Terminal No.	Color of Wire	Signal Name [Specification]
1	G	-
2	P	-



Connector No.	E77
Connector Name	REFRIGERANT PRESSURE SENSOR
Connector Type	FK02FB

Terminal No.	Color of Wire	Signal Name [Specification]
1	V	-
2	L	-
3	W	-



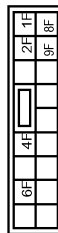
Connector No.	E101
Connector Name	FUSE BLOCK (J/B)
Connector Type	L01FW-MC

Terminal No.	Color of Wire	Signal Name [Specification]
1D	R	-

Connector No.	E102
Connector Name	FUSE BLOCK (J/B)
Connector Type	M02FB-LC

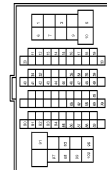


Terminal No.	Color of Wire	Signal Name [Specification]
1E	V	-



Connector No.	E103
Connector Name	FUSE BLOCK (J/B)
Connector Type	N108FW-CS

Terminal No.	Color of Wire	Signal Name [Specification]
1F	SB	-
2F	W	-
4F	G	-
6F	BR	-
8F	L	-
9F	P	-



Connector No.	E108
Connector Name	WIRE TO WIRE
Connector Type	T108FW-CS16-TM4

Terminal No.	Color of Wire	Signal Name [Specification]
1	GR	-
3	BG	-
5	G	-
6	Y	-
7	V	-
9	R	-
10	W	-
11	V	-
12	R	-
13	L	-
14	GR	-
15	P	-
16	W	-
17	SB	-
18	BG	-
19	SB	-
20	LG	-
30	BR	-
31	L	-
32	BG	-
36	SB	-
37	Y	-
38	R	-
39	B	-
40	G	-
41	R	-
42	LG	-
43	G	-
44	GR	-
45	BR	-
46	LG	-
47	V	-
48	P	-
49	L	-
59	B	-
66	GR	-
67	LG	-
68	SB	-
69	P	-
70	G	-
80	R	-
81	P	-
82	G	-
83	V	-
84	L	-
85	W	-
86	L	-
87	BR	-
88	GR	-
89	V	-

91	W	-
93	GR	-
95	LG	-
97	SB	-
98	SHIELD	-
99	L	-
100	P	-

Connector No.	E107
Connector Name	PARKING BRAKE SWITCH
Connector Type	TE01FW



Terminal No.	Color of Wire	Signal Name [Specification]
1	BG	-

Connector No.	E108
Connector Name	ASCD CLUTCH SWITCH
Connector Type	IS02FL



Terminal No.	Color of Wire	Signal Name [Specification]
1	W	-
2	SB	-

JRMWD3257GB

# CONNECTOR INFORMATION

< DTC/CIRCUIT DIAGNOSIS >

[POWER SUPPLY & GROUND CIRCUIT]

## ENGINE ROOM HARNESS

Connector No.	E109
Connector Name	ASCD BRAKE SWITCH
Connector Type	S02FL



Terminal No.	Color of Wire	Signal Name [Specification]
1	G	-
2	SB	- [With A.T.]
3	W	- [With M/T]



Connector No.	E110
Connector Name	STOP LAMP SWITCH
Connector Type	MMFW-LC

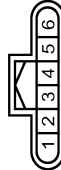
Terminal No.	Color of Wire	Signal Name [Specification]
1	L	-
2	W	-
3	L	-
4	SB	-

Connector No.	E111
Connector Name	CLUTCH INTERLOCK SWITCH
Connector Type	S02FL



Terminal No.	Color of Wire	Signal Name [Specification]
1	G	-
2	GR	-

Connector No.	E112
Connector Name	ACCELERATOR PEDAL POSITION SENSOR
Connector Type	RH08FB



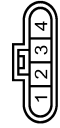
Terminal No.	Color of Wire	Signal Name [Specification]
1	P	-
2	V	-
3	R	-
4	W	-
5	L	-
6	GR	-

Connector No.	E114
Connector Name	ICC BRAKE SWITCH
Connector Type	S02FL



Terminal No.	Color of Wire	Signal Name [Specification]
1	G	-
2	SB	-

Connector No.	E116
Connector Name	BRAKE PEDAL STROKE SENSOR
Connector Type	HSD4FB



Terminal No.	Color of Wire	Signal Name [Specification]
1	P	S1
2	SB	VCC
3	G	S2
4	B	GROUND

Connector No.	E117
Connector Name	WIRE TO WIRE
Connector Type	MM6MW-LC



Terminal No.	Color of Wire	Signal Name [Specification]
2	Y	-
3	GR	-
4	P	-
5	BR	-
6	BG	-

Connector No.	E119
Connector Name	STOP LAMP SWITCH
Connector Type	MM4FW-LC



Terminal No.	Color of Wire	Signal Name [Specification]
1	L	-
2	W	-
3	G	-
4	V	-

Connector No.	E201
Connector Name	FUSIBLE LINK HOLDER
Connector Type	24340 79808



Terminal No.	Color of Wire	Signal Name [Specification]
5	Y	-

Connector No.	E202
Connector Name	FUSIBLE LINK HOLDER
Connector Type	24340 79805



Terminal No.	Color of Wire	Signal Name [Specification]
6	R	-

JRMWD3258GB

A  
B  
C  
D  
E  
F  
G  
H  
I  
J  
K  
L  
M  
N  
O  
P

PG

# CONNECTOR INFORMATION

< DTC/CIRCUIT DIAGNOSIS >

[POWER SUPPLY & GROUND CIRCUIT]

## ENGINE ROOM HARNESS

Connector No.	E203
Connector Name	ALTERNATOR
Connector Type	24340-55F46



Connector No.	E302
Connector Name	COOLING FAN CONTROL MODULE (COOLING FAN MOTOR-2)
Connector Type	6185-0259



Terminal No.	Color of Wire	Signal Name [Specification]
1	R	-

Connector No.	E204
Connector Name	STARTER MOTOR
Connector Type	24348-51E61



Terminal No.	Color of Wire	Signal Name [Specification]
6	-	-
7	-	-

Terminal No.	Color of Wire	Signal Name [Specification]
2	B/Y	-
Y	-	-

Connector No.	E301
Connector Name	COOLING FAN CONTROL MODULE (COOLING FAN MOTOR-1)
Connector Type	6188-0259



Terminal No.	Color of Wire	Signal Name [Specification]
4	-	-
5	-	-

JRMWD3259GB

# CONNECTOR INFORMATION

[POWER SUPPLY & GROUND CIRCUIT]

< DTC/CIRCUIT DIAGNOSIS >

## F Engine Control Harness

INFOID:000000008294892

### ENGINE CONTROL HARNESS

Connector No.	F2
Connector Name	CRANKSHAFT POSITION SENSOR (POS)
Connector Type	RHD3FB



Terminal No.	Color of Wire	Signal Name [Specification]
1	R	-
2	Y	-
3	W	-

Connector No.	F3
Connector Name	AIR FUEL RATIO (A/F) SENSOR 1 (BANK 1)
Connector Type	RHD4MDGY-BR



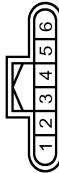
Terminal No.	Color of Wire	Signal Name [Specification]
1	L	-
2	R	-
3	W	-
4	O	- [AWD models]
	Y	- [2WD models]

Connector No.	F5
Connector Name	CRANKSHAFT POSITION SENSOR (PHASE) (BANK 1)
Connector Type	RHD3FB



Terminal No.	Color of Wire	Signal Name [Specification]
1	G	- [With VQ37VHR engine]
1	R	- [With VQ25HR engine]
2	BR	- [With VQ37VHR engine and AWD models]
2	P	- [Except for VQ37VHR engine and AWD models]
3	L	- [With VQ37VHR engine and AWD models]
3	LG	- [With VQ25HR engine]
3	O	- [With VQ37VHR engine and 2WD models]

Connector No.	F6
Connector Name	ELECTRIC THROTTLE CONTROL ACTUATOR (BANK 1)
Connector Type	RHD6FB



Terminal No.	Color of Wire	Signal Name [Specification]
1	G	MOTOR 1-1 [With VQ37VHR engine]
1	W	AVCC-TPS [With VQ25HR engine]
2	B	TPS 1-1 [With VQ25HR engine]
2	BR	MOTOR 1-2 [With VQ37VHR engine]
3	G	TPS 2-1 [With VQ25HR engine]
3	R	GND-A (TPS) [With VQ37VHR engine]
4	R	GND (TPS) [With VQ25HR engine]
4	Y	TPS 1-1 [With VQ37VHR engine]
5	B	TPS 2-1 [With VQ37VHR engine]
5	V	MOTOR 1-2 [With VQ25HR engine]
6	L	AVCC-TPS [With VQ37VHR engine]
6	P	MOTOR 1-1 [With VQ25HR engine]

Connector No.	F7
Connector Name	EVAP CANISTER FINE VOLUME CONTROL SOLENOID VALVE
Connector Type	ED2FL-RS-LGY



Terminal No.	Color of Wire	Signal Name [Specification]
1	R	-
2	GR	- [With VQ37VHR engine]
2	V	- [With VQ25HR engine]

Connector No.	F8
Connector Name	CONDENSER
Connector Type	M02FW-LG



Terminal No.	Color of Wire	Signal Name [Specification]
1	W	-
2	B	-

Connector No.	F9
Connector Name	WIRE TO WIRE
Connector Type	RS04FL-B



Terminal No.	Color of Wire	Signal Name [Specification]
1	SHIELD	-
2	W	-
3	SHIELD	-
4	W	-

Connector No.	F10
Connector Name	WIRE TO WIRE
Connector Type	FR08FB



Terminal No.	Color of Wire	Signal Name [Specification]
1	G	-
2	GR	-
3	BR	-
4	R	-
5	O	-
6	W	-
7	V	-

Connector No.	F11
Connector Name	IGNITION COIL No. 1 (WITH POWER TRANSFORMER)
Connector Type	EG03GY-RS



Terminal No.	Color of Wire	Signal Name [Specification]
1	Y	-
2	B	-
3	W	-

A  
B  
C  
D  
E  
F  
G  
H  
I  
J  
K  
L  
M  
N  
O  
P

PG

# CONNECTOR INFORMATION

< DTC/CIRCUIT DIAGNOSIS >

[POWER SUPPLY & GROUND CIRCUIT]

## ENGINE CONTROL HARNESS

Connector No.	F12
Connector Name	IGNITION COIL No. 2 (WITH POWER TRANSISTOR)
Connector Type	E03FGY-RS



Terminal No.	Color of Wire	Signal Name [Specification]
1	G	-
2	B	-
3	W	-

Connector No.	F13
Connector Name	IGNITION COIL No. 3 (WITH POWER TRANSISTOR)
Connector Type	E03FGY-RS



Terminal No.	Color of Wire	Signal Name [Specification]
1	L	-
2	B	-
3	W	-

Connector No.	F14
Connector Name	IGNITION COIL No. 4 (WITH POWER TRANSISTOR)
Connector Type	E03FGY-RS



Terminal No.	Color of Wire	Signal Name [Specification]
1	L	-
2	B	-
3	W	-

1	GR
2	B
3	W

Connector No.	F15
Connector Name	IGNITION COIL No. 5 (WITH POWER TRANSISTOR)
Connector Type	E03FGY-RS



Terminal No.	Color of Wire	Signal Name [Specification]
1	LG	- [With VQ25HR engine]
1	V	- [With VQ37VHR engine]
2	B	-
3	W	-

Connector No.	F16
Connector Name	IGNITION COIL No. 6 (WITH POWER TRANSISTOR)
Connector Type	E03FGY-RS



Terminal No.	Color of Wire	Signal Name [Specification]
1	BR	- [With VQ25HR engine]
1	SB	- [With VQ37VHR engine]
2	B	-
3	W	-

Connector No.	F17
Connector Name	ENGINE COOLANT TEMPERATURE SENSOR
Connector Type	E02FGY-RS



Terminal No.	Color of Wire	Signal Name [Specification]
1	BG	- [With VQ25HR engine]
1	Y	- [With VQ37VHR engine]
2	B	-

Connector No.	F18
Connector Name	CRANKSHAFT POSITION SENSOR (PHASE) (BANK 2)
Connector Type	RH03PE



Terminal No.	Color of Wire	Signal Name [Specification]
1	BR	- [With VQ25HR engine]
1	SB	- [With VQ37VHR engine]
2	G	- [With VQ37VHR engine]
2	R	- [With VQ25HR engine]
3	L	-

Connector No.	F20
Connector Name	AIR FUEL RATIO (A/F) SENSOR 1 (BANK 2)
Connector Type	RHDMDQY-BR



Terminal No.	Color of Wire	Signal Name [Specification]
1	LG	-
2	V	-
3	SB	- [AWD models]
3	W	- [2WD models]
4	O	- [AWD models]
4	Y	- [2WD models]

Connector No.	F27
Connector Name	ELECTRIC THROTTLE CONTROL ACTUATOR (BANK 2)
Connector Type	RH08FB



Terminal No.	Color of Wire	Signal Name [Specification]
1	G	-
2	R	-
3	W	-
4	B	-
5	GR	- [With VQ37VHR engine]
5	P	- [With VQ25HR engine]
6	L	- [With VQ25HR engine]
6	V	- [With VQ37VHR engine]

Connector No.	F28
Connector Name	INTAKE VALVE TRING CONTROL SOLENOID VALVE (BANK 1)
Connector Type	E02FG-RS-LGY



Terminal No.	Color of Wire	Signal Name [Specification]
1	W	-
2	R	-

JRMWD3261 GB



# CONNECTOR INFORMATION

[POWER SUPPLY & GROUND CIRCUIT]

< DTC/CIRCUIT DIAGNOSIS >

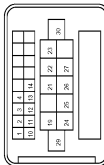
## ENGINE CONTROL HARNESS

Connector No.	F29
Connector Name	21/VALVE TIMING CONTROL SOLENOID VALVE BANK 2
Connector Type	ED2FG-RS-LGY



Terminal No.	Color of Wire	Signal Name [Specification]
1	G	- [With VQ37VHR engine]
2	GR	- [With VQ25HR engine]
3	R	-

Connector No.	F30
Connector Name	WIRE TO WIRE
Connector Type	SAA18FB-RS10-SJ22



Terminal No.	Color of Wire	Signal Name [Specification]
1	BG	-
2	G	-
3	GR	-
4	SB	-
10	V	-
11	R	-
12	R	-
13	W	-
14	Y	-
19	BR	-
21	R	-
22	L	-
23	Y	-
24	GR	-
25	P	-
26	G	-
27	W	-
29	W	-
30	R	-

Connector No.	F31
Connector Name	MASS AIR FLOW SENSOR (BANK 1)
Connector Type	FRH8FB



Terminal No.	Color of Wire	Signal Name [Specification]
1	B	-
2	P	- [With VQ37VHR engine]
2	Y	- [With VQ25HR engine]
3	L	- [With VQ25HR engine]
3	SB	- [With VQ37VHR engine]
4	LG	- [With VQ37VHR engine]
4	P	- [With VQ25HR engine]
5	G	- [With VQ25HR engine]
5	Y	- [With VQ37VHR engine]

Connector No.	F35
Connector Name	POWER STEERING PRESSURE SENSOR
Connector Type	RKQ3FB



Terminal No.	Color of Wire	Signal Name [Specification]
1	LG	- [With VQ37VHR engine]
1	W	- [With VQ25HR engine]
2	SB	- [With VQ25HR engine]
2	Y	- [With VQ37VHR engine]
3	R	-

Connector No.	F36
Connector Name	ALTERNATOR
Connector Type	HSD3FB



Terminal No.	Color of Wire	Signal Name [Specification]
2	G	L
3	V	S
4	GR	C [With VQ25HR engine]
4	W	C [With VQ37VHR engine]

Connector No.	F37
Connector Name	OIL PRESSURE SWITCH
Connector Type	ED1FGY-RS-AR



Terminal No.	Color of Wire	Signal Name [Specification]
1	BR	- [With VQ25HR engine]
1	Y	- [With VQ37VHR engine]

Connector No.	F38
Connector Name	ENGINE OIL TEMPERATURE SENSOR
Connector Type	ED2FGY-RS



Terminal No.	Color of Wire	Signal Name [Specification]
		Signal Name [Specification]

JRMWD3262GB

A  
B  
C  
D  
E  
F  
G  
H  
I  
J  
K  
L  
PG  
N  
O  
P

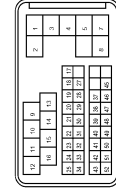
# CONNECTOR INFORMATION

[POWER SUPPLY & GROUND CIRCUIT]

< DTC/CIRCUIT DIAGNOSIS >

## ENGINE CONTROL HARNESS

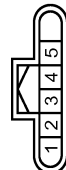
Connector No.	F39
Connector Name	WIRE TO WIRE
Connector Type	SAA38FB-RSS-S1Z8



Terminal No.	Color of Wire	Signal Name [Specification]
1	L/Y	-
2	SHIELD	-
3	L/B	-
4	SHIELD	-
5	BR	-
7	G	-
8	W	-
9	W	-
10	G	-
11	R	-
12	P	-
13	L	-
14	LG	-
15	R	-
16	O	- [AWD models]
16	Y	- [AWD models]
17	W	-
18	LG	-
19	P	-
20	O	-
21	BR	-
22	G	-
23	Y	-
24	LG	-
25	V	-
27	GR	-
28	BR	-
29	L	-
30	R	-
31	P	-
32	W	-
33	SB	-
34	BR	-
34	O	- [AWD models]
37	B	- [AWD models]
37	SHIELD	- [AWD models]
38	W	-
38	Y	-

40	G	-
41	B	-
42	GR	-
43	R	-
45	O	-
46	SHIELD	-
47	W/L	-
48	LG	-
49	O/L	-
50	L/Y	-
51	W	-
52	L/G	-

Connector No.	F42
Connector Name	MASS AIR FLOW SENSOR (BANK 2)
Connector Type	RH08FB



Terminal No.	Color of Wire	Signal Name [Specification]
1	B	-
2	Y	-
3	BR	- [With VQ37VHR engine]
3	W	- [With VQ25HR engine]
4	B	- [With VQ25HR engine]
4	Y	- [With VQ37VHR engine]
5	GR	- [With VQ37VHR engine]
5	L	- [With VQ25HR engine]

Connector No.	F43
Connector Name	COMPRESSOR
Connector Type	RS01FB



Terminal No.	Color of Wire	Signal Name [Specification]
1	-	-

1	L	-
---	---	---

Connector No.	F44
Connector Name	COMPRESSOR
Connector Type	RK02FGY



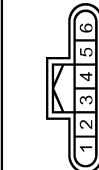
Terminal No.	Color of Wire	Signal Name [Specification]
2	Y	-
3	BG	- [With VQ25HR engine]
3	O	- [With VQ37VHR engine]

Connector No.	F45
Connector Name	POWER STEERING SOLENOID VALVE
Connector Type	RS02FER-DGY



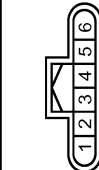
Terminal No.	Color of Wire	Signal Name [Specification]
1	LG	-
2	B	-

Connector No.	F46
Connector Name	VVEL CONTROL SHFT POSITION SENSOR (BANK 0)
Connector Type	RH06FB



Terminal No.	Color of Wire	Signal Name [Specification]
1	R	-
2	B	-
3	GR	-
4	G	-
5	W	-
6	Y	-

Connector No.	F47
Connector Name	VVEL CONTROL SHFT POSITION SENSOR (BANK 2)
Connector Type	RH08FB



Terminal No.	Color of Wire	Signal Name [Specification]
1	L/G	-
2	L/Y	-
3	W	-
4	O/L	-
5	W/L	-
6	L/G	-

Connector No.	F48
Connector Name	VVEL ACTUATOR MOTOR (BANK 1)
Connector Type	X02FB



Terminal No.	Color of Wire	Signal Name [Specification]
1	G	-
2	BR	-

JRMWD3263GB

# CONNECTOR INFORMATION

< DTC/CIRCUIT DIAGNOSIS >

[POWER SUPPLY & GROUND CIRCUIT]

## ENGINE CONTROL HARNESS

Connector No.	F49
Connector Name	VVEL ACTUATOR MOTOR (BANK 2)
Connector Type	X02FB



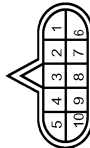
Terminal No.	Color of Wire	Signal Name [Specification]
1	L/B	-
2	L/Y	-

Connector No.	F50
Connector Name	MANIFOLD ABSOLUTE PRESSURE (MAP) SENSOR
Connector Type	RH03FB



Terminal No.	Color of Wire	Signal Name [Specification]
1	L	-
2	O	-
3	W	-

Connector No.	F51
Connector Name	A/T ASSEMBLY
Connector Type	RK0UFG-DGY



Terminal No.	Color of Wire	Signal Name [Specification]
1	Y	-

2	BR	- [With VQ25HR engine]
2	R	- [With VQ37VHR engine]
3	L	-
4	V	-
5	B	-
6	G	- [With VQ37VHR engine]
6	Y	- [With VQ25HR engine]
7	R	-
8	P	-
9	GR	-
10	B	-

Connector No.	F52
Connector Name	STARTER MOTOR
Connector Type	X01MGY



Terminal No.	Color of Wire	Signal Name [Specification]
1	W	-

Connector No.	F53
Connector Name	HEATED OXYGEN SENSOR 2 (BANK 2)
Connector Type	AF704FB



Terminal No.	Color of Wire	Signal Name [Specification]
1	B	-
2	G	- [With VQ25HR engine]
2	LG	- [With VQ37VHR engine]
3	LG	- [With VQ25HR engine]
3	SB	- [With VQ37VHR engine]
4	BR	- [With VQ25HR engine]
4	O	- [With VQ37VHR engine]

Connector No.	F54
Connector Name	HEATED OXYGEN SENSOR 2 (BANK 1)
Connector Type	AF704FB



Terminal No.	Color of Wire	Signal Name [Specification]
1	B	-
2	G	- [With VQ25HR engine]
2	R	- [With VQ37VHR engine]
3	P	-
4	GR	- [With VQ25HR engine]
4	W	- [With VQ37VHR engine]

Connector No.	F55
Connector Name	PARK / NEUTRAL POSITION SWITCH
Connector Type	RK02FB



Terminal No.	Color of Wire	Signal Name [Specification]
1	BR	-
2	W	-

Connector No.	F56
Connector Name	BACK-UP LAMP SWITCH
Connector Type	RK02FB



Terminal No.	Color of Wire	Signal Name [Specification]
1	R	-
2	O	-

Connector No.	F57
Connector Name	AMD SOLENOID
Connector Type	RK08FB



Terminal No.	Color of Wire	Signal Name [Specification]
1	BR	-
2	Y	-
6	LG	-
7	W	-

Connector No.	F58
Connector Name	EXHAUST VALVE TRIMMING CONTROL MAGNET RELAY (BANK 1)
Connector Type	RS04FL-B



Terminal No.	Color of Wire	Signal Name [Specification]
1	R	PONER
2	SB	EVTCCR

JRMWD3264GB

A  
B  
C  
D  
E  
F  
G  
H  
I  
J  
K  
L  
M  
N  
O  
P

PG



# CONNECTOR INFORMATION

< DTC/CIRCUIT DIAGNOSIS >

[POWER SUPPLY & GROUND CIRCUIT]

## ENGINE CONTROL HARNESS

Connector No.	F59
Connector Name	THROTTLE VALVE TIMING CONTROL MARKET (E/F) HARNESS (BANK 2)
Connector Type	RS02FBL-B


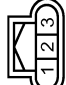
Terminal No.	Color of Wire	Signal Name [Specification]
1	R	POWER
2	Y	EVTCCIL

Connector No.	F61
Connector Name	WIRE TO WIRE
Connector Type	RS02FBR-DGY




Terminal No.	Color of Wire	Signal Name [Specification]
1	B	-
2	G	-

Connector No.	F62
Connector Name	THROTTLE VALVE TIMING CONTROL POSITION SENSOR (BANK 1)
Connector Type	RHD3FB

Terminal No.	Color of Wire	Signal Name [Specification]
1	R	POWER
2	LG	GROUND

Terminal No.	Color of Wire	Signal Name [Specification]
3	GR	OUTPUT

Connector No.	F63
Connector Name	THROTTLE VALVE TIMING CONTROL POSITION SENSOR (BANK 2)
Connector Type	RHD3FB




Terminal No.	Color of Wire	Signal Name [Specification]
1	W	POWER
2	L	GROUND
3	G	OUTPUT

Connector No.	F65
Connector Name	WIRE TO WIRE
Connector Type	RS02FLGY





Terminal No.	Color of Wire	Signal Name [Specification]
1	SHIELD	-
2	W	-

Connector No.	F66
Connector Name	AIR FUEL RATIO (A/F) SENSOR 1 (BANK 1)
Connector Type	RHD4MLGY






Terminal No.	Color of Wire	Signal Name [Specification]
1	L	-
2	P	-
3	G	-
4	R	-

Connector No.	F67
Connector Name	AIR FUEL RATIO (A/F) SENSOR 1 (BANK 2)
Connector Type	RHD4MLGY





Terminal No.	Color of Wire	Signal Name [Specification]
1	V	-
2	LG	-
3	W	-
4	Y	-

Connector No.	F71
Connector Name	FUEL INJECTOR No. 1
Connector Type	HS02FGY


Terminal No.	Color of Wire	Signal Name [Specification]
1	P	-
2	L	-

Connector No.	F72
Connector Name	FUEL INJECTOR No. 2
Connector Type	HS02FGY

Terminal No.	Color of Wire	Signal Name [Specification]
1	W	-
2	GR	-

Connector No.	F73
Connector Name	FUEL INJECTOR No. 3
Connector Type	HS02FGY




Terminal No.	Color of Wire	Signal Name [Specification]
1	W	-
2	P	-

Connector No.	F74
Connector Name	FUEL INJECTOR No. 4
Connector Type	HS02FGY




Terminal No.	Color of Wire	Signal Name [Specification]
1	W	-
2	BR	-

JRMWD3265GB

# CONNECTOR INFORMATION

< DTC/CIRCUIT DIAGNOSIS >

[POWER SUPPLY & GROUND CIRCUIT]

## ENGINE CONTROL HARNESS

Connector No.	F/7b
Connector Name	FUEL INJECTOR No. 5
Connector Type	HS2FGY



Terminal No.	Color of Wire	Signal Name [Specification]
1	W	-
2	BG	-

Connector No.	F/7b
Connector Name	FUEL INJECTOR No. 6
Connector Type	HS2FGY



Terminal No.	Color of Wire	Signal Name [Specification]
1	W	-
2	V	-

Connector No.	F/101
Connector Name	ECM
Connector Type	RH40FB-R2B-L-LH-Z



48	44	40	36	28	24	20	16	12	8	4
37	43	39	35	31	19	15	11	7	3	
36	38	34	30	22	18	6	2			
35	37	33	29	25	21	17	5	1		

Terminal No.	Color of Wire	Signal Name [Specification]
1	G	AFH 1 [With VQ25HR engine]
2	W	AFH 1 [With VQ37VHR engine]

2	G	MOTOR 1-B 1 [With VQ37VHR engine]
3	P	MOTOR 1-B 1 [With VQ25HR engine]
4	BR	MOTOR 2-B 1 [With VQ37VHR engine]
5	SB	MOTOR 2-B 1 [With VQ25HR engine]
6	SB	AFH 2 [With VQ37VHR engine and AMD models]
7	Y	AFH 2 [With VQ25HR engine and AMD models]
8	B	EVTC42
11	GR	GROUND
12	GR	IGN#4
15	LG	IGN#5 [With VQ25HR engine]
16	G	IGN#2
17	P	O2HR 1
18	W	CVTCH1
19	BR	IGN#6 [With VQ25HR engine]
20	Y	IGN#1
21	GR	EVPAP [With VQ37VHR engine]
22	R	EVAPE [With VQ25HR engine]
24	P	SSOFF [With VQ37VHR engine]
24	SB	SSOFF [With VQ25HR engine]
25	BG	MOTRLY 1-B 1 [With VQ25HR engine]
25	BR	MOTRLY 1-B 1 [With VQ37VHR engine and AMD models]
25	O	MOTRLY 1-B 1 [With VQ37VHR engine and 2WD models]
28	BR	ABORT
28	G	CVTCH2 [With VQ37VHR engine]
28	GR	CVTCH2 [With VQ25HR engine]
30	B	TPS 1-B 1 [With VQ25HR engine]
30	Y	TPS 1-B 1 [With VQ37VHR engine]
31	R	TPS 1-B 2
33	LG	O2HR 2 [With VQ25HR engine]
33	SB	O2HR 2 [With VQ37VHR engine]
34	G	TPS 2-B 1 [With VQ37VHR engine]
34	G	TPS 2-B 1 [With VQ25HR engine]
35	W	TPS 2-B 2
36	O	GNDA-MVPRES
37	W	POS
38	O	INTPRES
39	P	MVPRES
40	R	GNDA-TPS-B 1
43	G	AVCC-TPS-B 2
44	L	AVCC-TPS-B 1 [With VQ37VHR engine]
44	W	AVCC-TPS-B 1 [With VQ25HR engine]
45	LG	AVCC 2-MVPRES
46	R	AVCC-POS
47	Y	GNDA-POS
48	B	GNDA-TPS-B 2

Connector No.	F/102
Connector Name	ECM
Connector Type	RH40FER-R2B-L-LH-Z



52	52	52	52	52	52	52	52	52	52	52
51	51	51	51	51	51	51	51	51	51	51
50	50	50	50	50	50	50	50	50	50	50
49	49	49	49	49	49	49	49	49	49	49

Terminal No.	Color of Wire	Signal Name [Specification]
49	GR	MOTOR 2-B 2 [With VQ37VHR engine]
49	P	MOTOR 2-B 2 [With VQ25HR engine]
50	L	MOTOR 1-B 2 [With VQ25HR engine]
50	V	MOTOR 1-B 2 [With VQ37VHR engine]
52	R	VMOT-B 2
53	W	IGNSW
54	Y	ENG CAN-L 1
55	LG	ENG CAN-H 1
57	L	AFH 1
58	GR	E-PHASE#1
59	L	PHASE#1 [With VQ37VHR engine and AMD models]
59	LG	PHASE#1 [With VQ25HR engine]
59	O	PHASE#1 [With VQ37VHR engine and ZMD models]
60	G	AVCC-PHS 1-E-PHS 1/PS [With VQ37VHR engine]
60	R	AVCC-PHS 1-E-PHS 1/PS [With VQ25HR engine]
61	P	AF-1 [With VQ25HR engine]
61	R	AF-1 [With VQ37VHR engine]
62	G	E-PHASE#2
63	L	PHASE#2
64	BR	AVCC-PHASE#2 [With VQ25HR engine]
64	SB	AVCC-PHS-E-PHS 2/CU [With VQ37VHR engine]
65	LG	AF-2 [With VQ37VHR engine]
65	V	AF-2 [With VQ25HR engine]
66	LG	AF-2 [With VQ25HR engine]
66	V	AF-2 [With VQ37VHR engine]
67	P	TA 1 [With VQ37VHR engine]
67	Y	TA 1 [With VQ25HR engine]
68	LG	GNDA-GA 1/TA 1 [With VQ25HR engine]
69	W	KNK 2
71	BG	TW [With VQ25HR engine]
71	Y	TW [With VQ37VHR engine]
72	SHIELD	GNDA-KNK
73	W	KNK 1
76	GR	O2SR 1 [With VQ25HR engine]
76	W	O2SR 1 [With VQ37VHR engine]
77	L	GA 1-1 [With VQ25HR engine]
77	SB	GA 1-1 [With VQ37VHR engine]

78	G	TO
79	BR	GA 2-1 [With VQ37VHR engine]
79	W	GA 2-1 [With VQ25HR engine]
80	BR	O2SR 2 [With VQ25HR engine]
80	O	O2SR 2 [With VQ37VHR engine]
81	P	INJ#3 [With VQ25HR engine]
81	R	INJ#3 [With VQ37VHR engine]
82	V	INJ#6
83	Y	TA 2
84	B	GNDA O2S-TW-TO
85	BR	INJ#2 [With VQ37VHR engine]
85	GR	INJ#2 [With VQ25HR engine]
86	BG	INJ#5 [With VQ25HR engine]
86	W	INJ#5 [With VQ37VHR engine]
87	SB	PSPRES [With VQ25HR engine]
87	Y	PSPRES [With VQ37VHR engine]
88	LG	GNDA-EPHASE
89	GR	INJ#1 [With VQ37VHR engine]
89	L	INJ#1 [With VQ25HR engine]
90	BR	INJ#4 [With VQ37VHR engine]
90	O	INJ#4 [With VQ25HR engine]
91	G	CURSEN [With VQ25HR engine]
91	SB	CURSEN [With VQ37VHR engine]
92	G	GNDA-PHASE#2 [With VQ37VHR engine]
92	R	GNDA-PHASE#2 [With VQ25HR engine]
93	P	BATT [With VQ37VHR engine]
93	R	BATT [With VQ25HR engine]
94	B	GNDA-GA 2 [With VQ25HR engine]
94	Y	GNDA-GA 2 [With VQ37VHR engine]
95	G	GNDA-CURSEN [With VQ37VHR engine]
95	W	GNDA-CURSEN [With VQ25HR engine]
96	BR	GNDA-PHASE#1/PS [With VQ25HR engine and AMD models]
96	P	GNDA-PHASE#1/PS [With VQ37VHR engine and AMD models]

A B C D E F G H I J K L N O P

PG

# CONNECTOR INFORMATION

< DTC/CIRCUIT DIAGNOSIS >

[POWER SUPPLY & GROUND CIRCUIT]

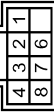
## ENGINE CONTROL HARNESS

Connector No.	F103
Connector Name	WIRE TO WIRE
Connector Type	TK38FW-NS10



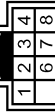
Terminal No.	Color of Wire	Signal Name [Specification]
2	G	-
3	W	-
4	R	-
5	B	-
9	G	- [With VO25HR engine]
9	Y	- [With VO37VHR engine]
10	GR	- [With VO37VHR engine]
10	LG	- [With VO25HR engine]
19	OG	- [With VO25HR engine and AWD models]
20	Y	- [With VO25HR engine and AWD models]
28	B	-
29	LG	-
30	R	-
31	R	-
33	B	-
34	B	-
35	L	-
36	P	-
37	Y	-
38	G	-
41	O	-
42	BR	-
43	P	-
44	L	-
46	G	- [With VO37VHR engine]
46	Y	- [With VO25HR engine]
46	V	-

Connector No.	F104
Connector Name	WIRE TO WIRE
Connector Type	TH08FW-NH



Terminal No.	Color of Wire	Signal Name [Specification]
1	L	-
1	SB	- [VO25HR engine]
2	LG	- [VO25HR engine]
3	R	-
3	BR	- [Except for VO37VHR engine and AWD models]
4	BG	- [Except for VO37VHR engine and AWD models]
4	Y	- [Except for VO37VHR engine and AWD models]
6	GR	- [Except for VO37VHR engine and AWD models]
6	V	- [Except for VO37VHR engine and AWD models]
7	BR	-
7	R	- [Except for VO37VHR engine and AWD models]
8	BG	- [VO25HR engine]
8	V	-

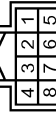
Connector No.	F105
Connector Name	WIRE TO WIRE
Connector Type	TH08MW-NH



Terminal No.	Color of Wire	Signal Name [Specification]
1	L	-
1	SB	- [VO25HR engine]
2	LG	- [VO25HR engine]
3	R	-
3	BR	- [Except for VO37VHR engine and AWD models]
4	BG	- [Except for VO37VHR engine and AWD models]
4	Y	- [Except for VO37VHR engine and AWD models]

6	GR	-
6	V	- [Except for VO37VHR engine and AWD models]
7	BR	- [Except for VO37VHR engine and AWD models]
7	R	- [Except for VO37VHR engine and AWD models]
8	BG	- [VO25HR engine]
8	V	-

Connector No.	F106
Connector Name	WIRE TO WIRE
Connector Type	TH08FW-NH



Terminal No.	Color of Wire	Signal Name [Specification]
1	L	-
1	P	- [VO37VHR engine and AWD models]
1	SB	- [VO25HR engine]
1	Y	- [VO37VHR engine and AWD models]
2	LG	- [VO25HR engine]
2	V	- [VO37VHR engine and AWD models]
2	W	- [VO37VHR engine and AWD models]
3	BR	- [VO37VHR engine and AWD models]
3	L	- [Except for VO37VHR engine and AWD models]
3	R	- [VO37VHR engine and AWD models]
4	BG	- [VO25HR engine]
4	GR	- [Except for VO37VHR engine and AWD models]
4	Y	- [Except for VO37VHR engine and AWD models]
5	Y	-
6	GR	- [VO37VHR engine and AWD models]
6	V	- [Except for VO37VHR engine and AWD models]
7	BR	- [VO37VHR engine and AWD models]
7	O	- [VO25HR engine]
8	BG	- [VO25HR engine]
8	BR	- [VO37VHR engine and AWD models]
8	O	- [VO37VHR engine and AWD models]
8	V	-

Connector No.	F107
Connector Name	WIRE TO WIRE
Connector Type	TH08MW-NH



Terminal No.	Color of Wire	Signal Name [Specification]
1	L	-
1	P	- [VO37VHR engine and AWD models]
1	SB	- [VO25HR engine]
1	Y	- [VO37VHR engine and AWD models]
2	LG	- [VO25HR engine]
2	R	-
2	V	- [VO37VHR engine and AWD models]
2	W	- [VO37VHR engine and AWD models]
3	BR	-
3	L	- [Except for VO37VHR engine and AWD models]
3	R	- [VO37VHR engine and AWD models]
4	BG	-
4	GR	- [Except for VO37VHR engine and AWD models]
4	Y	- [Except for VO37VHR engine and AWD models]
5	Y	-
6	GR	-
6	GR	- [VO37VHR engine and AWD models]
6	V	- [Except for VO37VHR engine and AWD models]
7	BR	-
7	O	- [VO37VHR engine and AWD models]
8	BG	- [VO25HR engine]
8	BR	- [VO37VHR engine and AWD models]
8	O	- [VO37VHR engine and AWD models]
8	V	-

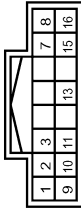
# CONNECTOR INFORMATION

< DTC/CIRCUIT DIAGNOSIS >

[POWER SUPPLY & GROUND CIRCUIT]

## ENGINE CONTROL HARNESS

Connector No.	F108
Connector Name	AWD CONTROL UNIT
Connector Type	TH1BF7W-NH



Terminal No.	Color of Wire	Signal Name [Specification]
1	BR	AWD SOL (+)
2	Y	AWD SOL (-)
3	W	FLUID TEMP (-)
7	G	IGN
8	L	CAN-H
9	O	AWD SOL-BAT
10	B	GROUND
11	B	GROUND
13	LG	FLUID TEMP (+)
15	Y	BATTERY
16	P	CAN-L

Connector No.	F109
Connector Name	WIRE TO WIRE
Connector Type	TH1ZFW-NH



Terminal No.	Color of Wire	Signal Name [Specification]
1	L	- [2WD models]
2	GR	- [AWD models]
3	R	- [AWD models]
4	P	- [AWD models]
5	BR	- [AWD models]
6	G	- [2WD models]

7	BR	-
8	BR	- [2WD models]
8	R	- [AWD models]
9	GR	- [AWD models]
9	O	- [2WD models]
10	V	-
11	SB	-

Connector No.	F110
Connector Name	WIRE TO WIRE
Connector Type	TH1ZMW-NH



Terminal No.	Color of Wire	Signal Name [Specification]
1	L	- [2WD models]
1	Y	- [AWD models]
2	GR	- [2WD models]
2	L	- [AWD models]
3	R	- [2WD models]
3	V	- [AWD models]
4	P	- [AWD models]
4	W	- [2WD models]
5	BR	- [AWD models]
5	Y	- [2WD models]
6	G	-
7	BR	-
8	BR	- [2WD models]
8	R	- [AWD models]
9	GR	- [AWD models]
9	O	- [2WD models]
10	V	-
11	SB	-

Connector No.	F120
Connector Name	WIRE TO WIRE
Connector Type	FR168MB



Terminal No.	Color of Wire	Signal Name [Specification]
1	G	-
2	GR	-
3	BR	-
4	R	-
5	BG	-
6	W	-
7	V	-

Connector No.	F121
Connector Name	FUEL INJECTOR No. 1
Connector Type	HS02FGY



Terminal No.	Color of Wire	Signal Name [Specification]
1	G	-
2	GR	-

Connector No.	F122
Connector Name	FUEL INJECTOR No. 2
Connector Type	HS02FGY



Terminal No.	Color of Wire	Signal Name [Specification]
1	G	-
2	BR	-

Connector No.	F123
Connector Name	FUEL INJECTOR No. 3
Connector Type	HS02FGY



Terminal No.	Color of Wire	Signal Name [Specification]
1	G	-
2	R	-

Connector No.	F124
Connector Name	FUEL INJECTOR No. 4
Connector Type	HS02FGY



Terminal No.	Color of Wire	Signal Name [Specification]
1	G	-
2	BG	-

JRMWD3268GB

A  
B  
C  
D  
E  
F  
G  
H  
I  
J  
K  
L  
M  
N  
O  
P

PG

# CONNECTOR INFORMATION

< DTC/CIRCUIT DIAGNOSIS >

[POWER SUPPLY & GROUND CIRCUIT]

## ENGINE CONTROL HARNESS

Connector No.	F125
Connector Name	FUEL INJECTOR No. 5
Connector Type	HS2FGY



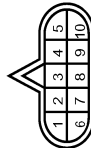
Terminal No.	Color of Wire	Signal Name [Specification]
1	G	-
2	W	-

Connector No.	F126
Connector Name	FUEL INJECTOR No. 6
Connector Type	HS2FGY



Terminal No.	Color of Wire	Signal Name [Specification]
1	G	-
2	V	-

Connector No.	F127
Connector Name	TCM (TRANSMISSION CONTROL MODULE)
Connector Type	SPT0FG



Terminal No.	Color of Wire	Signal Name [Specification]
1	-	VIGN
2	-	BATT

3	-	CAN-H
4	-	K-LINE
5	-	GROUND
6	-	VIGN
7	-	REV LAMP RLY
8	-	CAN-L
9	-	STARTER RLY
10	-	GROUND

Connector No.	F161
Connector Name	TRANSMISSION RANGE SWITCH
Connector Type	A03FW



Terminal No.	Color of Wire	Signal Name [Specification]
1	-	GROUND
2	-	VOUT
3	-	VCC

Connector No.	F201
Connector Name	WIRE TO WIRE
Connector Type	RS04ML-B



Terminal No.	Color of Wire	Signal Name [Specification]
1	W	-
2	SHIELD	-
3	W	-
4	SHIELD	-

Connector No.	F202
Connector Name	KNOCK SENSOR (BANK 2)
Connector Type	ED2FG-RS-LGY



Terminal No.	Color of Wire	Signal Name [Specification]
1	W	-
2	SHIELD	-

Connector No.	F203
Connector Name	KNOCK SENSOR (BANK 1)
Connector Type	ED2FG-RS-LGY



Terminal No.	Color of Wire	Signal Name [Specification]
1	W	-
2	SHIELD	-

Connector No.	F205
Connector Name	WIRE TO WIRE
Connector Type	RS02MLGY



Terminal No.	Color of Wire	Signal Name [Specification]
1	SHIELD	-
2	W	-

Connector No.	F206
Connector Name	KNOCK SENSOR
Connector Type	ED2FG-RS



Terminal No.	Color of Wire	Signal Name [Specification]
1	W	-
2	SHIELD	-

Connector No.	F251
Connector Name	WIRE TO WIRE
Connector Type	RS02MR



Terminal No.	Color of Wire	Signal Name [Specification]
1	B	-
2	G	-

Connector No.	F252
Connector Name	ENGINE OIL TEMPERATURE SENSOR
Connector Type	ED2FGY-RS



Terminal No.	Color of Wire	Signal Name [Specification]
1	G	-
2	B	- [Except for V037VHR engine and AWD models]



# CONNECTOR INFORMATION

## [POWER SUPPLY & GROUND CIRCUIT]

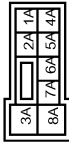
< DTC/CIRCUIT DIAGNOSIS >

### M Main Harness

INFOID:000000008294893

#### MAIN HARNESS

Connector No.	M1
Connector Name	FUSE BLOCK (U/B)
Connector Type	NS10FW-M2



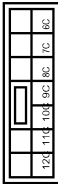
Terminal No.	Color of Wire	Signal Name [Specification]
1A	V	-
2A	G	-
3A	L	-
4A	P	-
5A	L	-
6A	Y	-
7A	R	-
8A	L	-

Connector No.	M2
Connector Name	FUSE BLOCK (U/B)
Connector Type	NS10FW-CS



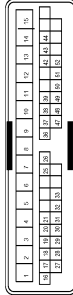
Terminal No.	Color of Wire	Signal Name [Specification]
1E	SB	-
3E	P	-
4E	G	-
5E	BG	-
6E	Y	-
7E	P	-
8E	R	-
9E	SB	-

Connector No.	M3
Connector Name	FUSE BLOCK (U/B)
Connector Type	NS12FW-CS



Terminal No.	Color of Wire	Signal Name [Specification]
6C	SB	-
7C	B	-
8C	W	-
9C	BG	-
10C	L	-
11C	LG	-
12C	G	-

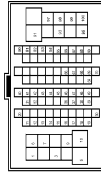
Connector No.	M5
Connector Name	WIRE TO WIRE
Connector Type	TH40MW-CS15



Terminal No.	Color of Wire	Signal Name [Specification]
1	Y	-
2	B	-
3	BG	-
4	V	-
5	G	-
6	W	-
7	LG	-
8	SB	-
9	G	-
10	V	-
11	SB	-
12	L	-
13	W	-
14	B	-
15	W	-

16	R	-
17	BR	-
18	V	-
19	BG	-
20	P	-
21	W	-
25	Y	-
26	G	-
27	L	-
28	Y	-
29	G	-
30	SB	-
31	LG	-
32	W	-
33	B	-
36	W	-
37	GR	-
38	Y	-
39	B	-
40	Y	-
42	Y	-
43	L	-
44	G	- [With automatic drive positioner]
44	L	- [Without automatic drive positioner]
47	L	-
48	GR	-
49	SB	-
50	P	-
51	LG	-
52	V	-

Connector No.	M6
Connector Name	WIRE TO WIRE
Connector Type	TH80MW-CS16-TM4



Terminal No.	Color of Wire	Signal Name [Specification]
1	BG	-
3	R	-
5	G	-
6	LG	-
7	W	-
9	G	-
10	W	-

11	V	-
12	R	-
13	L	-
14	GR	-
15	P	-
16	W	-
17	BR	-
18	P	-
19	L	-
20	L	-
30	BR	-
31	L	-
32	L	-
36	R	-
37	Y	-
38	R	-
39	SB	-
40	G	-
41	V	-
42	LG	-
43	P	-
44	B	- [With A/T]
44	R	- [With M/T]
45	BG	-
46	G	-
47	L	-
48	P	-
49	L	-
59	B	-
66	Y	-
67	G	-
68	R	-
69	W	-
70	G	-
80	SB	-
81	B	-
82	V	-
83	W	-
84	L	-
85	GR	-
86	G	-
87	R	-
88	B	-
89	LG	-
91	W	-
93	Y	-
95	Y	-
97	GR	-
98	SHIELD	-
99	Y	-
100	SB	-

A  
B  
C  
D  
E  
F  
G  
H  
I  
J  
K  
L  
PG  
N  
O  
P

# CONNECTOR INFORMATION

< DTC/CIRCUIT DIAGNOSIS >

[POWER SUPPLY & GROUND CIRCUIT]

## MAIN HARNESS

Connector No.	M7
Connector Name	WIRE TO WIRE
Connector Type	T118BMW-CSI6-TM4



Terminal No.	Color of Wire	Signal Name [Specification]
1	GR	-
2	P	-
3	P	- [Without automatic drive positioner]
3	SB	- [With automatic drive positioner]
4	Y	-
6	L	-
7	W	-
8	G	- [With rear anti-pinch system]
8	Y	- [Without rear anti-pinch system]
9	G	- [Without rear anti-pinch system]
9	Y	- [With rear anti-pinch system]
15	R	-
16	BR	-
17	P	-
18	V	-
20	L	-
21	P	-
22	L	-
23	P	-
24	V	-
25	LG	-
26	BR	-
27	BG	-
28	LG	-
31	V	-
32	LG	-
33	SHIELD	-
34	GR	-
35	BR	-
36	Y	-
37	SHIELD	-
38	SB	-
39	LG	-
40	O	-
41	W	-
42	SHIELD	-
43	R	-
44	G	-

45	SHIELD	-
46	SB	-
48	L	-
50	P	-
55	W	-
56	B	-
58	V	-
59	Y	-
60	Y	-
61	W	-
62	R	-
63	G	-
64	B	-
65	SHIELD	-
71	V	-
72	P	-
73	SB	-
74	V	-
81	W	-
82	BR	-
84	LG	-
85	BG	-
86	SB	-
87	G	-
88	GR	-
89	L	-
90	P	-
91	BG	-
92	L	-
93	P	-
96	BG	-
98	Y	-
100	P	-

Connector No.	M8
Connector Name	RESISTOR
Connector Type	M02FBR-LC



Terminal No.	Color of Wire	Signal Name [Specification]
1	L	-
2	B	-

Connector No.	M9
Connector Name	DIODE
Connector Type	Z4335 CS900



Terminal No.	Color of Wire	Signal Name [Specification]
1	R	-
2	R	-

Connector No.	M17
Connector Name	WIRE TO WIRE
Connector Type	TK02FW



Terminal No.	Color of Wire	Signal Name [Specification]
1	L	-
2	P	-

Connector No.	M18
Connector Name	WIRE TO WIRE
Connector Type	TK03MW



Terminal No.	Color of Wire	Signal Name [Specification]
1	L	-
2	P	-

Connector No.	M19
Connector Name	VDC OFF SWITCH
Connector Type	TK06FGY



Terminal No.	Color of Wire	Signal Name [Specification]
1	R	-
2	B	-
3	SB	-
4	B	-

Connector No.	M20
Connector Name	TRUNK LID OPENER SWITCH
Connector Type	TK04FW



Terminal No.	Color of Wire	Signal Name [Specification]
1	GR	-
2	B	-
3	LG	-
4	R	-

JRMWD3271 GB

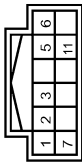
# CONNECTOR INFORMATION

< DTC/CIRCUIT DIAGNOSIS >

[POWER SUPPLY & GROUND CIRCUIT]

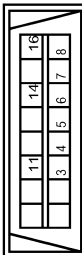
## MAIN HARNESS

Connector No.	M22
Connector Name	KEY SLOT
Connector Type	TH12FW-NH



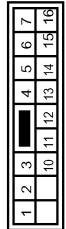
Terminal No.	Color of Wire	Signal Name [Specification]
1	R	BAT
2	GR	CLOCK
3	W	DATA
5	Y	ILL.BAT
6	LG	ILL
7	B	GROUND
11	SB	KEY SWITCH SIGNAL

Connector No.	M24
Connector Name	DATA LINK CONNECTOR
Connector Type	BD16FW-P



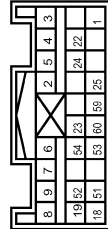
Terminal No.	Color of Wire	Signal Name [Specification]
3	LG	-
4	B	-
5	B	-
6	L	-
7	V	-
8	G	-
11	SB	-
14	P	-
16	R	-

Connector No.	M25
Connector Name	WIRE TO WIRE
Connector Type	NS16MW-CS



Terminal No.	Color of Wire	Signal Name [Specification]
1	L	-
2	W	-
3	BR	-
4	R	-
5	L	-
6	LG	-
7	B	-
10	P	-
11	L	-
12	Y	-
13	SB	-
14	R	-
15	G	-
16	W	-

Connector No.	M28
Connector Name	AIR BAG DIAGNOSIS SENSOR UNIT
Connector Type	NH28FY-EX



Terminal No.	Color of Wire	Signal Name [Specification]
1	LG	-
2	B	-
3	Y	-
4	Y	-
5	Y	-
6	Y	-
7	Y	-
8	Y	-

9	Y	-
18	SB	-
19	V	-
22	SHIELD	-
23	LG	-
24	G	-
25	R	-
51	R	-
52	G	-
53	Y	-
54	BR	-
59	L	-
60	P	-

Connector No.	M31
Connector Name	TILT & TELESCOPI SWITCH
Connector Type	TK08FOY



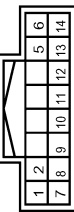
Terminal No.	Color of Wire	Signal Name [Specification]
1	B	-
2	GR	-
3	G	-
4	Y	-
5	BR	-

Connector No.	M32
Connector Name	PADDLE SHIFTER (SHIFT-DOWN)
Connector Type	A08FW



Terminal No.	Color of Wire	Signal Name [Specification]
1	B	-
3	G	-

Connector No.	M33
Connector Name	COMBINATION SWITCH
Connector Type	TH16FW-NH



Terminal No.	Color of Wire	Signal Name [Specification]
1	GR	FR WASHER (-)
2	SB	OUTPUT 4
5	L	OUTPUT 3
6	B	GROUND
7	BG	INPUT 3
8	BR	OUTPUT 5
9	W	INPUT 2
10	R	INPUT 4
11	LG	INPUT 1
12	P	OUTPUT 1
13	Y	INPUT 5
14	G	OUTPUT 2

Connector No.	M35
Connector Name	COMBINATION SWITCH (SPIRAL CABLE)
Connector Type	TK08FY-EX-IV



Terminal No.	Color of Wire	Signal Name [Specification]
23	R	-
28	Y	-
29	Y	-
30	Y	-

JRMWD3272GB

A  
B  
C  
D  
E  
F  
G  
H  
I  
J  
K  
L  
PG  
N  
O  
P

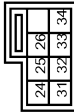
# CONNECTOR INFORMATION

< DTC/CIRCUIT DIAGNOSIS >

[POWER SUPPLY & GROUND CIRCUIT]

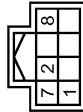
## MAIN HARNESS

Connector No.	M36
Connector Name	COMBINATION SWITCH (SPIRAL CABLE)
Connector Type	TK08FGY-1V



Terminal No.	Color of Wire	Signal Name [Specification]
24	P	-
25	SB	-
26	B	-
31	L	-
32	Y	-
33	B	-
34	LG	-

Connector No.	M37
Connector Name	STEERING ANGLE SENSOR
Connector Type	TH08FW-NH



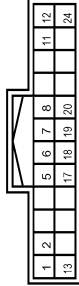
Terminal No.	Color of Wire	Signal Name [Specification]
1	L	CAN-H
2	P	CAN-L
7	B	GROUND
8	G	IGN

Connector No.	M39
Connector Name	PADDLE SHIFTER (SHIFT-UP)
Connector Type	A08FW



Terminal No.	Color of Wire	Signal Name [Specification]
1	B	-
3	BG	-

Connector No.	M44
Connector Name	SONAR CONTROL UNIT
Connector Type	TH24FW-NH



Terminal No.	Color of Wire	Signal Name [Specification]
1	LG	IGN
2	SB	CANCEL SW SIGNAL
5	W	CORNER SENSOR SIGNAL REAR LH
6	Y	CORNER SENSOR SIGNAL REAR RH
7	G	CENTER SENSOR SIGNAL REAR LH
8	R	CENTER SENSOR SIGNAL REAR RH
11	B	CANCEL SW INDICATOR
12	B	SENSOR GND
13	GR	ACC
17	BG	R RANGE SIGNAL
18	V	K LINE
19	SB	AV COMM (H)
20	LG	AV COMM (L)
24	B	GROUND

Connector No.	M46
Connector Name	SUNLOAD SENSOR
Connector Type	TK02FB



Terminal No.	Color of Wire	Signal Name [Specification]
1	Y	-
2	SB	-

Connector No.	M48
Connector Name	TILT & TELESCOPIC SENSOR
Connector Type	TK04FW



Terminal No.	Color of Wire	Signal Name [Specification]
1	W	-
2	P	-
3	BG	-
4	Y	-

Connector No.	M49
Connector Name	TILT & TELESCOPIC MOTOR
Connector Type	NS04FY-CS



Terminal No.	Color of Wire	Signal Name [Specification]

1	G	-
2	GR	-
3	BG	-
4	L	-

Connector No.	M50
Connector Name	PUSH-BUTTON IGNITION SWITCH
Connector Type	TK08FBR



Terminal No.	Color of Wire	Signal Name [Specification]
1	B	-
2	B	- [With A/T]
3	R	- [With M/T]
4	BR	-
5	LG	-
6	BG	-
7	GR	-
8	P	-

# CONNECTOR INFORMATION

< DTC/CIRCUIT DIAGNOSIS >

[POWER SUPPLY & GROUND CIRCUIT]

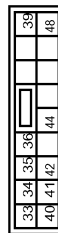
## MAIN HARNESS

Connector No.	M51
Connector Name	AUTOMATIC DRIVE POSITIONER CONTROL UNIT
Connector Type	TH122FW-NH



Terminal No.	Color of Wire	Signal Name [Specification]
1	Y	TILT SW (UPWARD)
2	LG	MIRROR SELECT SW (RH)
3	G	MIRROR SW (UPWARD)
4	Y	MIRROR SW (LEFTWARD)
5	R	MIRROR SENSOR (RH VERTICAL)
6	GR	MIRROR SENSOR (LH VERTICAL)
7	BG	TILT SENSOR
9	BR	ADDRESS 1
10	V	TX (UART)
11	GR	TELESCOPIC SW (FRONTWARD)
12	BG	IND 1
13	P	IND 2
14	W	MIRROR MOTOR (RH VERTICAL)
15	BG	MIRROR MOTOR (RH HORIZONTAL)
16	Y	MIRROR MOTOR (LH COMMON)
17	BR	TILT SW (DOWNWARD)
18	W	MIRROR SELECT SW (LH)
19	SB	MIRROR SW (DOWNWARD)
20	L	MIRROR SW (RIGHTWARD)
21	L	MIRROR SENSOR (RH HORIZONTAL)
22	B	MIRROR SENSOR (LH HORIZONTAL)
23	P	TELESCOPIC SENSOR
24	R	SET SW
25	V	ADDRESS 2
26	P	RX (UART)
27	G	TELESCOPIC SW (BACKWARD)
30	SB	MIRROR MOTOR (RH COMMON)
31	G	MIRROR MOTOR (LH VERTICAL)
32	L	MIRROR MOTOR (LH HORIZONTAL)

Connector No.	M52
Connector Name	AUTOMATIC DRIVE POSITIONER CONTROL UNIT
Connector Type	MS16FW-CS



Terminal No.	Color of Wire	Signal Name [Specification]
33	W	POWER SUPPLY (SENSOR)
34	V	BAT (FUSE)
35	L	TILT MOTOR (UPWARD)
36	GR	TELESCOPIC MOTOR (FORWARD)
39	W	BAT (G/B)
40	B	GND (SIGNAL)
41	Y	GND (SENSOR)
42	BG	TILT MOTOR (DOWNWARD)
44	G	TELESCOPIC MOTOR (BACKWARD)
48	B	GND (POWER)

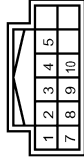
Connector No.	M53
Connector Name	COMBINATION METER
Connector Type	SAB40FW



Terminal No.	Color of Wire	Signal Name [Specification]
1	V	BATTERY POWER SUPPLY
2	LG	COMMUNICATION SIGNAL (METER-AMP)
3	GR	COMMUNICATION SIGNAL (AMP-METER)
5	B	GROUND
6	W	ALTERNATOR SIGNAL
7	LG	AIR BAG SIGNAL
10	W	SECURITY SIGNAL
15	B	GROUND
16	BR	METER CONTROL SWITCH GROUND
18	GR	ILL GND
19	B	ILL GND
20	R	ILL

Terminal No.	Color of Wire	Signal Name [Specification]
21	G	IGNITION SIGNAL
22	B	GROUND
24	BR	COMMUNICATION SIGNAL (LCD-AMP)
25	Y	COMMUNICATION SIGNAL (AMP-LCD)
26	R	VEHICLE SPEED SIGNAL (8-PULSE)
27	P	PARKING BRAKE SWITCH SIGNAL
28	SB	BRAKE FLUID LEVEL SWITCH
29	P	SEAT BELT BUCKLE SW SIGNAL (DRIVER SIDE)
30	G	SEAT BELT BUCKLE SWITCH SIGNAL (PASSENGER SIDE)
31	L	WASHER LEVEL SWITCH SIGNAL
33	R	ILLUMINATION CONTROL SIGNAL
36	LG	SELECT SWITCH SIGNAL
37	Y	ENTER SWITCH SIGNAL
38	P	TRIP A/B RESET SWITCH SIGNAL (-)
39	P	ILLUMINATION CONTROL SWITCH SIGNAL (-)
40	BG	ILLUMINATION CONTROL SWITCH SIGNAL (+)

Connector No.	M54
Connector Name	METER CONTROL SWITCH
Connector Type	TH122FW-NH



Terminal No.	Color of Wire	Signal Name [Specification]
1	Y	-
2	LG	-
3	B	-
4	R	-
5	G	-
7	BR	-
8	GR	-
9	BG	-
10	P	-

Connector No.	M61
Connector Name	IN-VEHICLE SENSOR
Connector Type	A02FW



Terminal No.	Color of Wire	Signal Name [Specification]
1	LG	-
2	W	-

Connector No.	M62
Connector Name	CIRCUIT BREAKER
Connector Type	M02FW-LC



Terminal No.	Color of Wire	Signal Name [Specification]
1	L	- [With automatic drive positioner]
1	W	- [Without automatic drive positioner]
2	P	- [Without automatic drive positioner]
2	SB	- [With automatic drive positioner]

JRMWD3274GB

A  
B  
C  
D  
E  
F  
G  
H  
I  
J  
K  
L  
N  
O  
P

PG

# CONNECTOR INFORMATION

< DTC/CIRCUIT DIAGNOSIS >

[POWER SUPPLY & GROUND CIRCUIT]

## MAIN HARNESS

Connector No.	M63
Connector Name	CENTER SPEAKER
Connector Type	TK02FBR



Terminal No.	Color of Wire	Signal Name [Specification]
1	L	-
2	LG	-

Connector No.	M66
Connector Name	UNIFIED METER AND A/C AMP.
Connector Type	TH04FW-NH



Terminal No.	Color of Wire	Signal Name [Specification]
4	G	STOP LAMP SWITCH SIGNAL
5	L	MANUAL MODE SHIFT UP SIGNAL
6	BG	PADDLE SHIFTER UP SIGNAL
7	GR	COMMUNICATION SIGNAL (AMP-METER)
8	L	VEHICLE SPEED SIGNAL (2-PULSE)
9	SB	SEAT BELT BUCKLE SWITCH SIGNAL (DRIVER SIDE)
10	W	MANUAL MODE SIGNAL
11	G	NON-MANUAL MODE SIGNAL
14	BR	COMMUNICATION SIGNAL (LCD-AMP)
20	BR	ION ON / OFF SIGNAL
23	Y	A/T SNOW SWITCH SIGNAL
25	V	MANUAL MODE SHIFT DOWN SIGNAL
26	G	PADDLE SHIFTER DOWN SIGNAL
27	LG	COMMUNICATION SIGNAL (METER-AMP)
28	R	VEHICLE SPEED SIGNAL (8-PULSE)
30	V	PARKING BRAKE SWITCH SIGNAL
34	Y	COMMUNICATION SIGNAL (AMP-LCD)
38	P	BLOWER MOTOR CONTROL SIGNAL

Connector No.	M67
Connector Name	UNIFIED METER AND A/C AMP.
Connector Type	TH02FW-NH



Terminal No.	Color of Wire	Signal Name [Specification]
41	L	ACC POWER SUPPLY
42	BR	FUEL LEVEL SENSOR SIGNAL
43	BR	INTAKE SENSOR SIGNAL
44	LG	IN-VEHICLE SENSOR SIGNAL
45	V	AMBIENT SENSOR SIGNAL
46	Y	SUNLOAD SENSOR SIGNAL
47	G	EXHAUST GAS / OVERSE DOOR DETECTING SENSOR SIGNAL
53	W	IGNITION POWER SUPPLY
54	SB	BATTERY POWER SUPPLY
55	B	GROUND
56	L	CAN-H
57	LG	BRAKE FLUID LEVEL SWITCH
58	Y	FUEL LEVEL SENSOR GROUND
59	GR	INTAKE SENSOR GROUND
60	W	IN-VEHICLE SENSOR GROUND
61	B	AMBIENT SENSOR GROUND
62	SB	SUNLOAD SENSOR GROUND
63	L	ION CONTROL MODE OUTPUT SIGNAL
65	BG	ECV SIGNAL
69	P	A/C LAN SIGNAL
70	R	EACH DOOR MOTOR POWER SUPPLY
71	GR	GROUND
72	P	CAN-L

Connector No.	M68
Connector Name	BACK-UP LAMP RELAY
Connector Type	MS02FL-M2-LC



Terminal No.	Color of Wire	Signal Name [Specification]
1	R	-
2	W	-
3	LG	-
5	BG	-

Connector No.	M70
Connector Name	HEATED SEAT RELAY
Connector Type	MS02FL-M2-LC



Terminal No.	Color of Wire	Signal Name [Specification]
1	G	-
2	P	-
3	G	-
5	LG	-

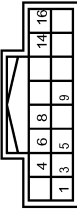
Connector No.	M71
Connector Name	DISPLAY UNIT
Connector Type	TH24FW-NH



Terminal No.	Color of Wire	Signal Name [Specification]
1	B	GROUND
2	Y	INVERTER VCC
3	BG	SIGNAL VCC
4	Y	COMPOSITE IMAGE GND
5	SHIELD	SHIELD [With rear view monitor]
6	L	RGB (GREEN) SIGNAL
7	SHIELD	HP
8	R	RGB AREA (YS) SIGNAL
9	B	RGB AREA (YS) SIGNAL

11	LG	COMM (CONT-DISP) [Without rear view monitor]
11	P	COMM (CONT-DISP) [With rear view monitor]
13	BR	INVERTER GND
14	LG	SIGNAL GND
15	BR	COMPOSITE IMAGE SIGNAL
16	BR	COMP SYNC
17	G	RGB (RED) SIGNAL
18	P	RGB (BLUE) SIGNAL
19	W	RGB SYNC
20	G	VP
21	SHIELD	SHIELD
22	L	COMM (DISP-CONT)
23	B	SHIELD [Without rear view monitor]
23	SHIELD	SHIELD [With rear view monitor]

Connector No.	M72
Connector Name	MULTIFUNCTION SWITCH
Connector Type	TH16FW-NH



Terminal No.	Color of Wire	Signal Name [Specification]
1	B	GROUND
3	P	ACC
4	BG	TLL
5	B	ILL CONT
6	SB	AV COMM (H)
8	LG	AV COMM (L)
9	BR	SW GND
14	V	DISK EJECT SIGNAL
16	G	HAZARD ON

# CONNECTOR INFORMATION

[POWER SUPPLY & GROUND CIRCUIT]

< DTC/CIRCUIT DIAGNOSIS >

## MAIN HARNESS

Connector No.	M73
Connector Name	FRONT PASSENGER AIR BAG OFF INDICATOR
Connector Type	TH16FW-NH



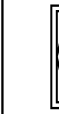
Terminal No.	Color of Wire	Signal Name [Specification]
1	R	-
4	B	-

Connector No.	M74
Connector Name	CLOCK
Connector Type	TH04FW-NH



Terminal No.	Color of Wire	Signal Name [Specification]
1	B	ILLUMINATION (-)
2	L	ILLUMINATION (+)
3	B	GROUND
4	Y	BAT

Connector No.	M75
Connector Name	DISPLAY UNIT
Connector Type	TH24FW-NH



Terminal No.	Color of Wire	Signal Name [Specification]
12	L	1
11	L	2
10	L	3
9	L	4
8	L	5
7	L	6
6	L	7
23	L	8
22	L	9
19	L	10
18	L	11

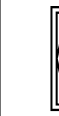
6	SHIELD	SHIELD
7	SHIELD	SHIELD
8	W	CAMERA IMAGE SIGNAL
9	L	COMM (DISP-CONT)
10	P	COMM (CONT-DISP)
11	Y	BATTERY
12	B	GROUND
18	L	COMPOSITE IMAGE SIGNAL
19	P	COMPOSITE IMAGE GND
22	SHIELD	SHIELD
23	LG	ACC

Connector No.	M77
Connector Name	INTAKE SENSOR
Connector Type	TK04FW



Terminal No.	Color of Wire	Signal Name [Specification]
1	BR	-
2	GR	-

Connector No.	M81
Connector Name	AV CONTROL UNIT
Connector Type	TH18FW-GS2



Terminal No.	Color of Wire	Signal Name [Specification]
2	L	SOUND SIGNAL FRONT LH (+)
3	W	SOUND SIGNAL FRONT LH (-)
4	LG	SOUND SIGNAL REAR LH (+)
5	SB	SOUND SIGNAL REAR LH (-)
6	P	STRG SW A
7	V	ACC
9	L	ILLUMINATION

11	BR	SOUND SIGNAL FRONT RH (+)
12	R	SOUND SIGNAL FRONT RH (-)
13	L	SOUND SIGNAL REAR RH (+)
14	P	SOUND SIGNAL REAR RH (-)
15	B	STRG SW GND
16	L	STRG SW B
19	Y	BATTERY
20	B	GROUND

Connector No.	M82
Connector Name	AV CONTROL UNIT
Connector Type	AT12FW



Terminal No.	Color of Wire	Signal Name [Specification]
21	W	SATELLITE SOUND SIGNAL LH (-)
22	B	SATELLITE SOUND SIGNAL LH (+)
23	R	SATELLITE SOUND SIGNAL RH (-)
24	G	SATELLITE SOUND SIGNAL RH (+)
25	SHIELD	SHIELD
26	SHIELD	SHIELD
28	P	REQUEST (SAT-CONT)
29	G	COMM (SAT-CONT)
30	L	COMM (CONT-SAT)

Connector No.	M83
Connector Name	AV CONTROL UNIT
Connector Type	TH24FW-NH



Terminal No.	Color of Wire	Signal Name [Specification]
36	BR	COMPOSITE IMAGE SIGNAL
37	Y	COMPOSITE IMAGE GND
38	P	RGB (BLUE) SIGNAL

39	L	RGB (GREEN) SIGNAL
40	G	RGB (RED) SIGNAL
41	W	RGB SYNC
42	SHIELD	SHIELD
43	B	RGB AREA (VSI) SIGNAL
44	L	COMM (DISP-CONT)
45	R	HP
46	LG	SIGNAL GND
47	BG	SIGNAL VCC
48	BR	COMP SYNC
49	Y	SHIELD
50	SHIELD	SHIELD
55	B	SHIELD
56	LG	COMM (CONT-DISP)
57	G	VP
58	BR	INVERTER GND
59	Y	INVERTER VCC

Connector No.	M84
Connector Name	AV CONTROL UNIT
Connector Type	TH16FW-NH



Terminal No.	Color of Wire	Signal Name [Specification]
66	G	AUX IMAGE SIGNAL
73	SHIELD	SHIELD
74	R	AUX IMAGE GND

JRMWD3276GB

A B C D E F G H I J K L O P PG N

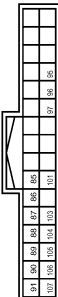
# CONNECTOR INFORMATION

< DTC/CIRCUIT DIAGNOSIS >

[POWER SUPPLY & GROUND CIRCUIT]

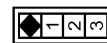
## MAIN HARNESS

Connector No.	M85
Connector Name	AV CONTROL UNIT
Connector Type	TH12FW-NH



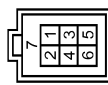
Terminal No.	Color of Wire	Signal Name [Specification]
85	B	GROUND
86	L	CAN-H
87	P	CAN-L
88	SB	AV COMM (H)
89	LG	AV COMM (L)
90	SB	AV COMM (H)
91	LG	AV COMM (L)
95	R	AUX SOUND SIGNAL RH (+)
96	W	AUX SOUND SIGNAL LH (+)
97	B	AUX SOUND SIGNAL GND
101	BR	SW GND
103	V	EJECT SIGNAL
104	G	IGNITION
105	BG	REVERSE
106	SB	PARKING BRAKE
107	R	VEHICLE SPEED (S-PULSE)

Connector No.	M89
Connector Name	WIRE TO WIRE
Connector Type	A03MW-P



Terminal No.	Color of Wire	Signal Name [Specification]
1	R	-
2	B	-
3	P	-

Connector No.	M82
Connector Name	WIRE TO WIRE
Connector Type	CP08FGY



Terminal No.	Color of Wire	Signal Name [Specification]
2	W	-
3	L	-
4	G	-
5	R	-
7	SHIELD	-

Connector No.	M84
Connector Name	OPTICAL SENSOR
Connector Type	TK03FW



Terminal No.	Color of Wire	Signal Name [Specification]
1	Y	POWER
2	BG	OUTPUT
3	B	GROUND

Connector No.	M88
Connector Name	IONIZER
Connector Type	TH04FW-NH



Terminal No.	Color of Wire	Signal Name [Specification]
1	V	IGN
2	L	IGN MIDDLE
3	B	GROUND
4	BR	IGN ON / OFF

Connector No.	M101
Connector Name	TIRE PRESSURE RECEIVER
Connector Type	TK04FW



Terminal No.	Color of Wire	Signal Name [Specification]
1	P	GROUND
2	L	SIGNAL
4	V	BATTERY

Connector No.	M102
Connector Name	GLOVE BOX LAMP
Connector Type	A02FW



Terminal No.	Color of Wire	Signal Name [Specification]
1	R	-
2	B	-

Connector No.	M104
Connector Name	REMOTE KEYLESS ENTRY RECEIVER
Connector Type	LA04HFB



Terminal No.	Color of Wire	Signal Name [Specification]
1	BG	GROUND
2	Y	SIGNAL OUTPUT
4	P	BATTERY

Connector No.	M105
Connector Name	TRUNK LID OPENER CANCEL SWITCH
Connector Type	IS02FW



Terminal No.	Color of Wire	Signal Name [Specification]
1	BG	-
2	B	-

JRMWD3277GB



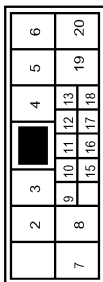
# CONNECTOR INFORMATION

[POWER SUPPLY & GROUND CIRCUIT]

< DTC/CIRCUIT DIAGNOSIS >

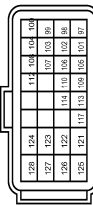
## MAIN HARNESS

Connector No.	M106
Connector Name	WIRE TO WIRE
Connector Type	INH10MW-C510



Terminal No.	Color of Wire	Signal Name [Specification]
2	L	-
3	SHIELD	-
4	G	-
5	BR	-
6	BG	-
7	Y	-
8	P	-
9	LG	-
10	V	-
11	B	-
12	B	-
13	R	-
15	R	-
17	SHIELD	-
18	B	-
18	Y	-
20	R	-

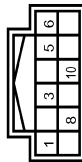
Connector No.	M107
Connector Name	ECM
Connector Type	RH24FGY-R28-R-LH-Z



Terminal No.	Color of Wire	Signal Name [Specification]
97	R	APS 1
98	P	APS 2
99	L	AVCC-APS 1
100	W	GND-APS 1

101	SB	ASGDSW
102	LG	FTRPS
103	GR	AVCC-APS 2
104	V	GND-APS 2
105	L	PDPRESS
106	W	TF
107	GR	AVCC-FTRPS
108	Y	GND-ASCD
109	G	NEUT-H
110	R	TACHO
112	V	GND-A [Except for Mexico]
112	W	GND-A [For Mexico]
113	P	VEHCANFL 1
114	L	VEHCANHH 1
117	V	KLINE
121	LG	CDCV
122	P	BRAKE
123	B	GROUND
124	B	GROUND
125	R	VBR
126	BR	BNG SW
127	B	GROUND
128	B	GROUND

Connector No.	M108
Connector Name	POWER STEERING CONTROL UNIT
Connector Type	TH12FW-NH



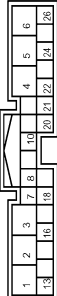
Terminal No.	Color of Wire	Signal Name [Specification]
1	LG	SOL
3	G	VIGN
5	B	SOL GND
6	B	GROUND
8	SB	VSP
10	R	TACHO

Connector No.	M109
Connector Name	BLOWER MOTOR
Connector Type	NSD3PW-M3



Terminal No.	Color of Wire	Signal Name [Specification]
1	L	-
2	P	-
3	B	-

Connector No.	M110
Connector Name	PRE-CRASH SEAT BELT CONTROL UNIT
Connector Type	TH20PW-TB6



Terminal No.	Color of Wire	Signal Name [Specification]
1	P	MOTOR (RH) (RELEASE)
2	W	+B
10	SB	BUCKLE SW LH
13	W	IGN
16	W	SENS OUTPUT 1
18	R	SENS POWER
20	G	SENS OUTPUT 2
21	B	SENS GND
22	P	CAN-L
24	L	CAN-H
20	B	GND (CONT)
3	L	MOTOR (RH) (FASTEN)
4	BG	MOTOR (LH) (FASTEN)
5	W	GND (DRIVE)
6	Y	MOTOR (LH) (RELEASE)
7	G	INDICATOR
8	LG	BUCKLE SW RH

Connector No.	M113
Connector Name	USB CONNECTOR
Connector Type	HA04BFG



Terminal No.	Color of Wire	Signal Name [Specification]
1	W	-
2	L	-
3	G	-
4	R	-
5	SHIELD	-

A  
B  
C  
D  
E  
F  
G  
H  
I  
J  
K  
L  
PG  
N  
O  
P

# CONNECTOR INFORMATION

[POWER SUPPLY & GROUND CIRCUIT]

< DTC/CIRCUIT DIAGNOSIS >

## MAIN HARNESS

Connector No.	M116
Connector Name	WIRE TO WIRE
Connector Type	TKS8MW-NS10



Terminal No.	Color of Wire	Signal Name [Specification]
10	R	-
19	BG	-
2	W	-
20	Y	-
28	B	-
29	LG	-
3	BG	-
30	LG	-
31	W	-
33	B	-
34	B	-
35	L	-
36	P	-
37	R	-
38	SB	-
4	P	-
41	BG	-
42	G	-
43	P	-
44	L	-
45	Y	-
46	SB	-
5	B	-
9	R	-

Connector No.	M117
Connector Name	WIRE TO WIRE
Connector Type	TH8DMW-CS16-TM4



Terminal No.	Color of Wire	Signal Name [Specification]
82	LG	- [Without rear anti-pinch system]
93	V	- [With rear anti-pinch system]
95	W	- [Without rear anti-pinch system]
94	Y	-
95	G	-
96	G	-
97	R	-
98	BG	-
99	P	-
1	LG	-
10	L	-
100	L	-
3	SB	-
30	B	-
31	SB	-
32	LG	-
33	SB	-
34	LG	-
40	Y	-
41	G	-
42	LG	-
43	R	-
45	G	-
46	SHIELD	-
47	P	-
48	L	-
49	SHIELD	-
5	P	-
50	V	-
59	R	-
6	G	-
7	SB	-
71	R	-
80	W	-
81	SHIELD	-
82	P	-
83	L	-
84	G	-
85	SHIELD	-
86	W	-
87	B	-
88	R	-
89	G	-
9	LG	-
90	Y	-
91	V	-
92	BR	- [With rear anti-pinch system]

Connector No.	M118
Connector Name	BCM (BODY CONTROL MODULE)
Connector Type	M03FB-LC



Terminal No.	Color of Wire	Signal Name [Specification]
1	W	BAT (F/L)
2	Y	POWER WINDOW POWER SUPPLY (BAT)
3	BG	POWER WINDOW POWER SUPPLY (RAP)

Connector No.	M119
Connector Name	BCM (BODY CONTROL MODULE)
Connector Type	NS19FB-CS

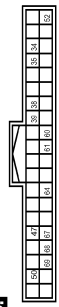


Connector No.	M120
Connector Name	BCM (BODY CONTROL MODULE)
Connector Type	NS12FW-CS



Terminal No.	Color of Wire	Signal Name [Specification]
20	V	TURN SIGNAL RH (REAR)
23	LG	TRUNK LID OPEN OUTPUT
25	Y	TURN SIGNAL LH (REAR)
30	P	TRUNK ROOM LAMP CONT

Connector No.	M121
Connector Name	BCM (BODY CONTROL MODULE)
Connector Type	TH40FGY-NH



Terminal No.	Color of Wire	Signal Name [Specification]
4	LG	INTERIOR ROOM LAMP POWER SUPPLY
5	P	PASSENGER DOOR UNLOCK OUTPUT
7	SB	STEP LAMP CONT
8	V	ALL DOOR FUEL LID LOCK OUTPUT
9	G	DRIVER DOOR FUEL LID UNLOCK OUTPUT
10	P	REAR DOOR UNLOCK OUTPUT
11	R	BAT (FUSE)
13	B	GROUND
14	W	PUSH-BUTTON IGNITION SW ILL GND
15	BG	ACC IND
17	W	TURN SIGNAL RH (FRONT)
18	BG	TURN SIGNAL LH (FRONT)
19	V	INT ROOM LAMP CONT

Terminal No.	Color of Wire	Signal Name [Specification]
34	SB	TRUNK ROOM ANT-
35	V	TRUNK ROOM ANT+
38	B	REAR BUMPER ANT-
39	W	REAR BUMPER ANT+
47	Y	IGN RELAY (PDM E/R) CONT
50	BG	TRUNK ROOM LAMP SW
52	R	STARTER RELAY CONT
60	BR	PUSH SW
61	SB	TRUNK LID OPENER REQUEST SW
64	G	I-KEY WARN BUZZER (ENG ROOM)
67	GR	TRUNK LID OPENER SW
68	BG	REAR RH DOOR SW
69	L	REAR LH DOOR SW

# CONNECTOR INFORMATION

[POWER SUPPLY & GROUND CIRCUIT]

< DTC/CIRCUIT DIAGNOSIS >

## MAIN HARNESS

Connector No.	M122
Connector Name	BCM (BODY CONTROL MODULE)
Connector Type	TH4UFB-NH



Terminal No.	Color of Wire	Signal Name [Specification]
72	R	ROOM ANT 2-
73	G	ROOM ANT 2+
74	SB	PASSENGER DOOR ANT-
75	BR	PASSENGER DOOR ANT+
76	V	DRIVER DOOR ANT-
77	LG	DRIVER DOOR ANT+
78	Y	ROOM ANT 1-
79	BR	ROOM ANT 1+
80	GR	NATS ANT AMP.
81	W	NATS ANT AMP.
82	SB	IGN RELAY (F/B) CONT
83	Y	KEYLESS ENTRY RECEIVER COMM
87	Y	COMBI SW INPUT 5
88	BG	COMBI SW INPUT 3
90	P	CAN-L
91	L	CAN-H
92	LG	KEY SLOT ILL CONT
93	GR	ON IND
95	BG	ACC RELAY CONT
96	GR	A/T SHIFT SELECTOR POWER SUPPLY
99	BR	ASCD CLUTCH SW [With M/T]
99	R	SHIFT P [With A/T]
100	P	PASSENGER DOOR REQUEST SW
101	P	DRIVER DOOR REQUEST SW
102	BG	BLOWER FAN MOTOR RELAY CONT
103	P	KEYLESS ENTRY RECEIVER POWER SUPPLY
107	LG	COMBI SW INPUT 1
108	R	COMBI SW INPUT 4
109	W	COMBI SW INPUT 2
110	G	HAZARD SW

Connector No.	M123
Connector Name	BCM (BODY CONTROL MODULE)
Connector Type	TH4UFG-NH



Terminal No.	Color of Wire	Signal Name [Specification]
112	R	RAIN SENSOR SERIAL LINK
113	BG	OPTICAL SENSOR
114	R	CLUTCH INTERLOCK SW
116	SB	STOP LAMP SW 1
118	BR	STOP LAMP SW 2
119	SB	DR DOOR UNLOCK SENSOR
121	SB	KEY-SLOT SW
123	V	IGN F/B
124	R	PASSENGER DOOR SW
129	BG	TRUNK LID OPENER CANCEL SW
132	V	POWER WINDOW SW COMM
133	L	PUSH-BUTTON IGNITION SW ILL POWER
134	LG	LOCK IND
137	BG	RECEIVER / SENSOR GND
138	V	RECEIVER / SENSOR POWER SUPPLY
140	B	TIRE PRESSURE RECEIVER COMM
141	W	SHIFT N/P
142	BR	SECURITY IND LAMP CONT
143	P	COMBI SW OUTPUT 5
144	G	COMBI SW OUTPUT 1
144	G	COMBI SW OUTPUT 2
145	L	COMBI SW OUTPUT 3
146	SB	COMBI SW OUTPUT 4
150	GR	DRIVER DOOR SW
151	G	REAR WINDOW DEFROSTER RELAY CONT

Connector No.	M124
Connector Name	WIRE TO WIRE
Connector Type	TH40MM-CSI5



Terminal No.	Color of Wire	Signal Name [Specification]
1	W	
2	GR	
3	B	
7	V	
8	P	
10	BR	
11	R	
12	G	
13	R	
36	G	
37	R	
38	GR	
39	L	
42	BG	
43	BG	
44	W	
45	SB	
47	LG	
48	P	
49	Y	
50	BR	
51	SB	
52	L	
53	L	
54	Y	

Connector No.	M131
Connector Name	INSIDE KEY ANTENNA (INSTRUMENT CENTER)
Connector Type	FR02FGY



Terminal No.	Color of Wire	Signal Name [Specification]
1	BR	
2	Y	

Connector No.	M132
Connector Name	CIGARETTE LIGHTER SOCKET
Connector Type	NS33PW-CS



Terminal No.	Color of Wire	Signal Name [Specification]
1	B	
2	BR	
3	P	

A  
B  
C  
D  
E  
F  
G  
H  
I  
J  
K  
L  
PG  
N  
O  
P

# CONNECTOR INFORMATION

< DTC/CIRCUIT DIAGNOSIS >

[POWER SUPPLY & GROUND CIRCUIT]

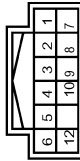
## MAIN HARNESS

Connector No.	M133
Connector Name	WIRE TO WIRE
Connector Type	MOZFB-LC



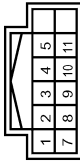
Terminal No.	Color of Wire	Signal Name [Specification]
1	Y	-
2	B	-

Connector No.	M136
Connector Name	WIRE TO WIRE
Connector Type	TH12FW-NH



Terminal No.	Color of Wire	Signal Name [Specification]
1	L	-
2	GR	-
3	G	-
4	V	-
5	B	-
6	BG	-
7	B	-
8	R	-
9	B	-
10	LG	-
12	SB	-

Connector No.	M137
Connector Name	A/T SHIFT SELECTOR
Connector Type	TH12FW-NH



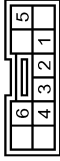
Terminal No.	Color of Wire	Signal Name [Specification]
1	W	-
2	V	-
3	L	-
4	B	-
5	G	-
7	Y	-
8	LG	-
9	B	-
10	GR	-
11	R	-

Connector No.	M139
Connector Name	SNOW MODE SWITCH
Connector Type	TK08FW



Terminal No.	Color of Wire	Signal Name [Specification]
1	R	-
2	GR	-
4	Y	-
5	P	-
6	B	-

Connector No.	M141
Connector Name	HEATED SEAT SWITCH (DRIVER SIDE)
Connector Type	TK08FW



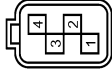
Terminal No.	Color of Wire	Signal Name [Specification]
1	L	-
2	GR	-
3	L	-
4	B	-
5	G	-
6	B	-

Connector No.	M142
Connector Name	HEATED SEAT SWITCH (PASSENGER SIDE)
Connector Type	TK08FBR



Terminal No.	Color of Wire	Signal Name [Specification]
1	LG	-
2	SB	-
3	V	-
4	B	-
5	BG	-
6	B	-

Connector No.	M143
Connector Name	YAW RATE / SIDE G SENSOR
Connector Type	FAZ204FB-S



Terminal No.	Color of Wire	Signal Name [Specification]
1	B	-
2	Y	-
3	SB	-
4	G	-

Connector No.	M146
Connector Name	INSIDE KEY ANTENNA (CONSOLE)
Connector Type	FRQ2FGY



Terminal No.	Color of Wire	Signal Name [Specification]
1	G	-
2	R	-

JRMWD3281GB

# CONNECTOR INFORMATION

## [POWER SUPPLY & GROUND CIRCUIT]

< DTC/CIRCUIT DIAGNOSIS >

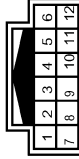
### MAIN HARNESS

Connector No.	M161
Connector Name	FRONT PASSENGER AIR BAG MODULE-2
Connector Type	JCA02F0R



Terminal No.	Color of Wire	Signal Name [Specification]
1	Y	-
2	Y	-

Connector No.	M174
Connector Name	WIRE TO WIRE
Connector Type	TH12MNF-NH



Terminal No.	Color of Wire	Signal Name [Specification]
1	L	-
2	GR	-
3	W	-
4	R	-
5	W	-
6	W	-
7	B	-
8	R	-
9	W	-
10	GR	-
11	GR	-
12	SB	-

Terminal No.	Color of Wire	Signal Name [Specification]
1	SB	-
2	B	-
3	B	-
4	R	-
5	L	-
6	B	-

Connector No.	M154
Connector Name	AUXILIARY INPUT JACKS
Connector Type	AB0FW



Terminal No.	Color of Wire	Signal Name [Specification]
1	R	AUX SOUND SIGNAL RH (+)
2	B	AUX SOUND SIGNAL GND
3	W	AUX SOUND SIGNAL LH (+)
7	G	AUX IMAGE SIGNAL
8	R	AUX IMAGE GND

Connector No.	M160
Connector Name	FRONT PASSENGER AIR BAG MODULE-1
Connector Type	JCA02FB



Terminal No.	Color of Wire	Signal Name [Specification]
1	Y	-
2	Y	-

1	P
2	B

Connector No.	M151
Connector Name	WIRE TO WIRE
Connector Type	MD2MB-P-LC



Terminal No.	Color of Wire	Signal Name [Specification]
1	R	-
2	B	-

Connector No.	M152
Connector Name	POWER SOCKET
Connector Type	P02FB-Z



Terminal No.	Color of Wire	Signal Name [Specification]
1	R	-
2	B	-

Connector No.	M153
Connector Name	SOMAF CANCEL SWITCH
Connector Type	TK08FW

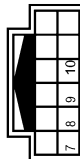


Connector No.	M148
Connector Name	CONSOLE POWER SOCKET
Connector Type	P02FB-Z



Terminal No.	Color of Wire	Signal Name [Specification]
1	Y	-
2	B	-

Connector No.	M149
Connector Name	WIRE TO WIRE
Connector Type	TH12MNF-NH



Terminal No.	Color of Wire	Signal Name [Specification]
7	SHIELD	-
8	R	-
9	W	-
10	B	-

Connector No.	M150
Connector Name	FRONT POWER SOCKET
Connector Type	P02FB-Z



Terminal No.	Color of Wire	Signal Name [Specification]
1	Y	-
2	Y	-

JRMWD3282GB

A  
B  
C  
D  
E  
F  
G  
H  
I  
J  
K  
L  
N  
O  
P

PG

# CONNECTOR INFORMATION

< DTC/CIRCUIT DIAGNOSIS >

[POWER SUPPLY & GROUND CIRCUIT]

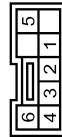
## MAIN HARNESS

Connector No.	M175
Connector Name	HEATED SEAT SWITCH (DRIVER SIDE)
Connector Type	TK0DFW



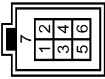
Terminal No.	Color of Wire	Signal Name [Specification]
1	L	-
2	GR	-
3	R	-
4	W	-
5	W	-
6	B	-

Connector No.	M176
Connector Name	HEATED SEAT SWITCH (PASSENGER SIDE)
Connector Type	TK08FBR



Terminal No.	Color of Wire	Signal Name [Specification]
1	GR	-
2	SB	-
3	R	-
4	W	-
5	W	-
6	GR	-

Connector No.	M191
Connector Name	WIRE TO WIRE
Connector Type	CPD8MGY-S



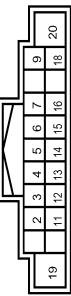
Terminal No.	Color of Wire	Signal Name [Specification]
2	W	-
3	L	-
4	G	-
5	R	-
7	SHIELD	-

Connector No.	M192
Connector Name	USE CONNECTOR
Connector Type	HAA0HFG



Terminal No.	Color of Wire	Signal Name [Specification]
1	W	-
2	L	-
3	G	-
4	R	-
5	SHIELD	-

Connector No.	M201
Connector Name	AV CONTROL UNIT
Connector Type	TH18FW-C52



Terminal No.	Color of Wire	Signal Name [Specification]
2	L	SOUND SIGNAL FRONT LH (+)
3	W	SOUND SIGNAL FRONT LH (-)
4	LG	SOUND SIGNAL REAR LH (+)
5	SB	SOUND SIGNAL REAR LH (-)
6	P	STRG SW A
7	V	ACC
9	L	ILLUMINATION
11	BR	SOUND SIGNAL FRONT RH (+)
12	R	SOUND SIGNAL FRONT RH (-)
13	L	SOUND SIGNAL REAR RH (+)
14	P	SOUND SIGNAL REAR RH (-)
15	B	STRG SW GND
16	L	STRG SW B
18	G	GROUND
19	Y	BATTERY
20	B	GROUND

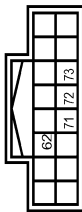
Connector No.	M202
Connector Name	AV CONTROL UNIT
Connector Type	TH24FW-NH



Terminal No.	Color of Wire	Signal Name [Specification]
36	BG	SIGNAL VCC
37	LG	SIGNAL GND
38	R	HP
39	L	COMM (DISP-CONT)
40	B	RGB AREA (VS) SIGNAL
41	SHIELD	SHIELD

42	W	RGB SYNC
43	G	RGB (R/RED) SIGNAL
44	L	RGB (G/GREEN) SIGNAL
45	P	RGB (B/BLUE) SIGNAL
46	Y	COMPOSITE IMAGE GND
47	BR	COMPOSITE IMAGE SIGNAL
48	Y	INVERTER VCC
49	BR	INVERTER GND
50	G	VP
51	P	COMM (CONT-DISP)
52	SHIELD	SHIELD
57	SHIELD	SHIELD
58	SHIELD	SHIELD

Connector No.	M203
Connector Name	AV CONTROL UNIT
Connector Type	TH16FW-NH



Terminal No.	Color of Wire	Signal Name [Specification]
62	W	CAMERA IMAGE SIGNAL
71	SHIELD	SHIELD
72	B	CAMERA GND
73	R	CAMERA POWER SUPPLY

# CONNECTOR INFORMATION

< DTC/CIRCUIT DIAGNOSIS >

[POWER SUPPLY & GROUND CIRCUIT]

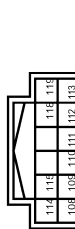
## MAIN HARNESS

Connector No.	M204
Connector Name	AV CONTROL UNIT
Connector Type	TH32FW-NH



Terminal No.	Color of Wire	Signal Name [Specification]
76	LG	AV COMM (L)
77	SB	AV COMM (H)
78	LG	AV COMM (L)
79	SB	AV COMM (H)
80	P	CAN-L
81	L	CAN-H
82	BR	SW GND
86	SHIELD	SHIELD
87	L	TEL VOICE SIGNAL (+)
88	P	TEL VOICE SIGNAL (-)
92	R	VEHICLE SPEED (8-PULSE)
93	SB	PARKING BRAKE
94	BG	REVERSE
95	G	IGNITION
96	V	EJECT SIGNAL

Connector No.	M205
Connector Name	AV CONTROL UNIT
Connector Type	TH12FW-NH



Terminal No.	Color of Wire	Signal Name [Specification]
108	BR	SOUND SIGNAL REAR RH (+)
109	R	SOUND SIGNAL FRONT RH (+)
110	GR	AMP ON SIGNAL
111	B	SHIELD
112	V	SOUND SIGNAL REAR LH (+)
113	O	SOUND SIGNAL FRONT LH (+)
114	Y	SOUND SIGNAL REAR RH (-)

Terminal No.	115	G	SOUND SIGNAL FRONT RH (-)
Terminal No.	118	LG	SOUND SIGNAL REAR LH (-)
Terminal No.	119	W	SOUND SIGNAL FRONT LH (-)

Connector No.	M206
Connector Name	AV CONTROL UNIT
Connector Type	A12FW



Terminal No.	Color of Wire	Signal Name [Specification]
120	B	SATELLITE SOUND SIGNAL LH (+)
121	L	SATELLITE SOUND SIGNAL RH (+)
122	G	COMM (CONT-SAT)
124	W	SATELLITE SOUND SIGNAL LH (-)
125	R	SATELLITE SOUND SIGNAL RH (-)
126	SHIELD	SHIELD
127	SHIELD	SHIELD
128	SB	MODE CHANGE SIGNAL
129	P	REQUEST (SAT-CONT)
130	G	COMM (SAT-CONT)

Connector No.	M207
Connector Name	AV CONTROL UNIT
Connector Type	HAAD4FL



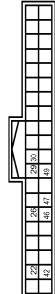
Terminal No.	Color of Wire	Signal Name [Specification]
132	G	USB GND
133	R	USB D- SIGNAL
134	W	V BUS SIGNAL
135	L	USB D+ SIGNAL
136	SHIELD	SHIELD

Connector No.	M208
Connector Name	AV CONTROL UNIT
Connector Type	TH18FW-CS2



Terminal No.	Color of Wire	Signal Name [Specification]
1	GR	AMP ON SIGNAL
2	O	SOUND SIGNAL FRONT LH (+)
3	W	SOUND SIGNAL FRONT LH (-)
4	V	SOUND SIGNAL REAR LH (+)
5	LG	SOUND SIGNAL REAR LH (-)
6	P	STRG SW A
7	V	ACCC
10	B	SHIELD
11	R	SOUND SIGNAL FRONT RH (+)
12	G	SOUND SIGNAL FRONT RH (-)
13	BR	SOUND SIGNAL REAR RH (+)
14	Y	SOUND SIGNAL REAR RH (-)
15	B	STRG SW GND
16	L	STRG SW B
19	Y	BATTERY
20	B	GROUND

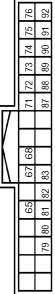
Connector No.	M209
Connector Name	AV CONTROL UNIT
Connector Type	TH09FW-NH



Terminal No.	Color of Wire	Signal Name [Specification]
22	R	CAMERA POWER SUPPLY
26	G	-
29	V	DISK EJECT SIGNAL
30	SB	MODE CHANGE SIGNAL
42	B	CAMERA GND
46	R	-

Terminal No.	47	SHIELD	-
Terminal No.	49	BR	SW GND

Connector No.	M210
Connector Name	AV CONTROL UNIT
Connector Type	TH32FW-NH



Terminal No.	Color of Wire	Signal Name [Specification]
65	SB	PARKING BRAKE
67	P	COMPOSITE IMAGE GND
68	L	COMPOSITE IMAGE SIGNAL
71	SHIELD	MICROPHONE GND
72	G	MICROPHONE VCC
73	P	COMM (CONT-DISP)
74	P	CAN-L
75	LG	AV COMM (L)
76	LG	AV COMM (L)
79	L	ILLUMINATION
80	G	IGNITION
81	BG	REVERSE
82	R	VEHICLE SPEED (8-PULSE)
83	SHIELD	SHIELD
87	R	MICROPHONE SIGNAL
88	SHIELD	SHIELD
89	L	COMM (DISP-CONT)
90	L	CAN-H
91	SB	AV COMM (H)
92	SB	AV COMM (H)

A  
B  
C  
D  
E  
F  
G  
H  
I  
J  
K  
L  
PG  
N  
O  
P

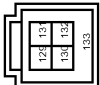
# CONNECTOR INFORMATION

< DTC/CIRCUIT DIAGNOSIS >

[POWER SUPPLY & GROUND CIRCUIT]

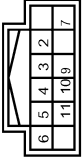
## MAIN HARNESS

Connector No.	M212
Connector Name	AV CONTROL UNIT
Connector Type	1A04FL



Terminal No.	Color of Wire	Signal Name [Specification]
129	G	USE GND
130	R	USE D- SIGNAL
131	W	V BUS SIGNAL
132	L	USE D+ SIGNAL
133	SHIELD	SHIELD

Connector No.	M221
Connector Name	SHIFT POSITION SWITCH
Connector Type	1H12FW



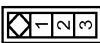
Terminal No.	Color of Wire	Signal Name [Specification]
2	L	N
3	BR	D
4	G	R
5	P	P
6	V	M
7	O	AT
9	Y	MT
10	R	ELL
11	B	GROUND

Connector No.	M222
Connector Name	SHIFT LOCK UNIT
Connector Type	1R04FW



Terminal No.	Color of Wire	Signal Name [Specification]
3	BR	-
4	L	-

Connector No.	M251
Connector Name	WIRE TO WIRE
Connector Type	A03FW



Terminal No.	Color of Wire	Signal Name [Specification]
1	L	-
2	B	-
3	L	-

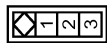
Connector No.	M252
Connector Name	AIR MIX DOOR MOTOR LH
Connector Type	A03FW



Terminal No.	Color of Wire	Signal Name [Specification]
1	L	-

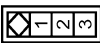
2	B	-
3	L	-

Connector No.	M253
Connector Name	MODE DOOR MOTOR
Connector Type	A03FW



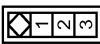
Terminal No.	Color of Wire	Signal Name [Specification]
1	L	-
2	B	-
3	L	-

Connector No.	M254
Connector Name	INTAKE DOOR MOTOR
Connector Type	A03FW



Terminal No.	Color of Wire	Signal Name [Specification]
1	L	-
2	B	-
3	L	-

Connector No.	M255
Connector Name	AIR MIX DOOR MOTOR RH
Connector Type	A03FW



Terminal No.	Color of Wire	Signal Name [Specification]
1	L	-
2	B	-
3	L	-

Connector No.	M301
Connector Name	DRIVER AIR BAG MODULE
Connector Type	A0A2FOR



Terminal No.	Color of Wire	Signal Name [Specification]
9	-	-
12	-	-



# CONNECTOR INFORMATION

< DTC/CIRCUIT DIAGNOSIS >

[POWER SUPPLY & GROUND CIRCUIT]

## MAIN HARNESS

Connector No.	M302
Connector Name	DRIVER AIR BAG MODULE
Connector Type	ACAP2FY-2V



Terminal No.	Color of Wire	Signal Name [Specification]
10	-	-
11	-	-

Connector No.	M303
Connector Name	COMBINATION SWITCH (SPIRAL CABLE)
Connector Type	TK08FGY



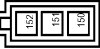
Terminal No.	Color of Wire	Signal Name [Specification]
13	R	-
14	W	-
15	L	-
16	B	-
17	BR	-
18	G	-
19	P	-
20	Y	-

Connector No.	M370
Connector Name	AV CONTROL UNIT
Connector Type	GT13SH-2-1S-HU



Terminal No.	Color of Wire	Signal Name [Specification]
137	-	FM SUB
138	-	AM-FM MAIN
139	-	ANTENNA AMP. ON SIGNAL

Connector No.	M371
Connector Name	AV CONTROL UNIT
Connector Type	GT13SH-2-1S-HU



Terminal No.	Color of Wire	Signal Name [Specification]
150	-	FM SUB
151	-	AM-FM MAIN
152	-	ANTENNA AMP. ON SIGNAL

Connector No.	M372
Connector Name	AV CONTROL UNIT
Connector Type	FAKFA-JACK



Terminal No.	Color of Wire	Signal Name [Specification]
--------------	---------------	-----------------------------

-	SHIELD	SATELLITE ANTENNA
SHIELD	SHIELD	SHIELD

Connector No.	M373
Connector Name	AV CONTROL UNIT
Connector Type	GT5-1S-HU



Terminal No.	Color of Wire	Signal Name [Specification]
153	-	GFS ANTENNA
154	SHIELD	SHIELD

Connector No.	M374
Connector Name	WIRE TO WIRE
Connector Type	GT16C-1PP-HU



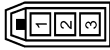
Terminal No.	Color of Wire	Signal Name [Specification]
1	-	-
2	SHIELD	-

Connector No.	M375
Connector Name	WIRE TO WIRE
Connector Type	GT13SC-2-1S-HU



Terminal No.	Color of Wire	Signal Name [Specification]
1	-	-
2	-	-
3	-	-

Connector No.	M376
Connector Name	WIRE TO WIRE
Connector Type	GT13SCN-2-1PP-HU



Terminal No.	Color of Wire	Signal Name [Specification]
1	-	-
2	-	-
3	-	-

Connector No.	M377
Connector Name	WIRE TO WIRE
Connector Type	GT16C-1S-HU



Terminal No.	Color of Wire	Signal Name [Specification]
1	-	-
2	SHIELD	-

A  
B  
C  
D  
E  
F  
G  
H  
I  
J  
K  
L  
PG  
N  
O  
P

JRMWD3286GB


# CONNECTOR INFORMATION

< DTC/CIRCUIT DIAGNOSIS >

[POWER SUPPLY & GROUND CIRCUIT]


## MAIN HARNESS

Connector No.	M378
Connector Name	ANTENNA AMP.
Connector Type	GT13SC-1 IS-HU



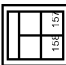
**H.S.**

Connector No.	M381
Connector Name	GLASS ANTENNA (MAIN)
Connector Type	F01FB-A



**H.S.**

Connector No.	M385
Connector Name	AV CONTROL UNIT
Connector Type	GT17HN-4DS-HU




**H.S.**

Terminal No.	Color of Wire	Signal Name [Specification]
1	-	ANTENNA AMP. ON SIGNAL
2	-	AM-FM MAIN

Terminal No.	Color of Wire	Signal Name [Specification]
1	-	-


Terminal No.	Color of Wire	Signal Name [Specification]
157	-	RGB DIGITAL IMAGE SIGNAL (-)
158	-	RGB DIGITAL IMAGE SIGNAL (+)

Connector No.	M379
Connector Name	GLASS ANTENNA(SUB)
Connector Type	F01FB-A



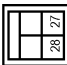
**H.S.**

Connector No.	M382
Connector Name	WIRE TO WIRE
Connector Type	GT18C-1S-HU



**H.S.**

Connector No.	M386
Connector Name	DISPLAY UNIT
Connector Type	GT17HN2-4DS-HU



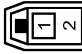
**H.S.**

Terminal No.	Color of Wire	Signal Name [Specification]
1	-	-

Terminal No.	Color of Wire	Signal Name [Specification]
1	-	-
2	SHIELD	-

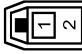
Terminal No.	Color of Wire	Signal Name [Specification]
27	-	RGB DIGITAL IMAGE SIGNAL (-)
28	-	RGB DIGITAL IMAGE SIGNAL (+)

Connector No.	M380
Connector Name	WIRE TO WIRE
Connector Type	GT18-1PP-HU



**H.S.**

Connector No.	M383
Connector Name	SATELLITE RADIO ANTENNA
Connector Type	GT18C-1PP-HU



**H.S.**

Terminal No.	Color of Wire	Signal Name [Specification]
1	-	-
2	SHIELD	-

Terminal No.	Color of Wire	Signal Name [Specification]
1	-	-
2	SHIELD	-

JRMWD3287GB

# CONNECTOR INFORMATION

[POWER SUPPLY & GROUND CIRCUIT]

< DTC/CIRCUIT DIAGNOSIS >

## R Room Lamp Harness

INFOID:000000008294894

### ROOM LAMP HARNESS

Connector No.	R1
Connector Name	WIRE TO WIRE
Connector Type	NH10FW-CS10



6	5	4	3	2
13	12	11	10	9
20	19	18	17	16
				8
				7

Terminal No.	Color of Wire	Signal Name [Specification]
2	L	-
3	SHIELD	-
4	G	-
5	BR	-
6	Y	-
7	GR	-
8	BR	-
9	R	-
10	V	-
11	B	-
12	B	-
13	Y	-
15	R	-
16	G	-
17	SHIELD	-
18	B	-
19	Y	-
20	R	-

Connector No.	R2
Connector Name	WIRE TO WIRE
Connector Type	TH12FW-NH



6	5	4	3	2	1
12	11	9	8	7	

Terminal No.	Color of Wire	Signal Name [Specification]
1	B	-
2	B	-
3	SHIELD	-
4	R	-

5	G	-
6	B	-
7	P	-
8	GR	-
9	V	-
11	Y	-
12	R	-

Connector No.	R3
Connector Name	AUTO ANTI-DAZZLING INSIDE MIRROR
Connector Type	TH10FB-NH



10	8	6
----	---	---

Terminal No.	Color of Wire	Signal Name [Specification]
6	BR	IGN
8	B	GROUND
10	GR	BAT

Connector No.	R4
Connector Name	SUNROOF MOTOR ASSEMBLY
Connector Type	YEA10FGY



1	5
7	8
9	10

Terminal No.	Color of Wire	Signal Name [Specification]
1	GR	SW-BIT 1
5	P	SW-BIT -
7	BR	+B
10	G	GROUND
8	L	SPEED SENSOR (2P)
9	Y	TIMER (+IGN)

Connector No.	R9
Connector Name	LIGHT & RAIN SENSOR
Connector Type	JAB00FB



1	2	3
---	---	---

Terminal No.	Color of Wire	Signal Name [Specification]
1	Y	+B
2	R	SIG
3	B	GROUND

Connector No.	R11
Connector Name	WIRE TO WIRE
Connector Type	TH12MW-NH



1	2	3	4	5	6
7	8	9	11	12	

Terminal No.	Color of Wire	Signal Name [Specification]
1	B	-
11	Y	-
12	R	-
2	B	-
3	SHIELD	-
4	R	-
5	G	-
6	B	-
7	P	-
8	GR	-
9	V	-

Connector No.	R12
Connector Name	VANITY MIRROR LAMP LH
Connector Type	MCA02FW



1	2
---	---

Terminal No.	Color of Wire	Signal Name [Specification]
1	B	-
2	R	-

Connector No.	R13
Connector Name	VANITY MIRROR LAMP RH
Connector Type	MCA02FW



1	2
---	---

Terminal No.	Color of Wire	Signal Name [Specification]
1	B	-
2	R	-

JRMWD3288GB

A  
B  
C  
D  
E  
F  
G  
H  
I  
J  
K  
L  
N  
O  
P

PG

# CONNECTOR INFORMATION

< DTC/CIRCUIT DIAGNOSIS >

[POWER SUPPLY & GROUND CIRCUIT]

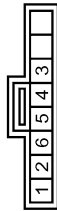
## ROOM LAMP HARNESS

Connector No.	R14
Connector Name	PERSONAL LAMP
Connector Type	TK08FW-NH



Terminal No.	Color of Wire	Signal Name [Specification]
1	R	-
2	B	-
3	V	-

Connector No.	R15
Connector Name	MAP LAMP
Connector Type	TK08FGY



Terminal No.	Color of Wire	Signal Name [Specification]
1	R	-
2	V	-
3	B	-
4	-	-
5	B	-
6	Y	-

Connector No.	R16
Connector Name	SUNROOF SWITCH
Connector Type	TK03FW



Terminal No.	Color of Wire	Signal Name [Specification]
1	P	-
2	B	-
3	GR	-

Connector No.	R17
Connector Name	MICROPHONE
Connector Type	TK04FW



Terminal No.	Color of Wire	Signal Name [Specification]
1	R	MICROPHONE SIGNAL
2	SHIELD	MICROPHONE GND
4	G	MICROPHONE VCC

JRMWD3289GB

## HARNESS CONNECTOR

### Description

INFOID:000000008294895

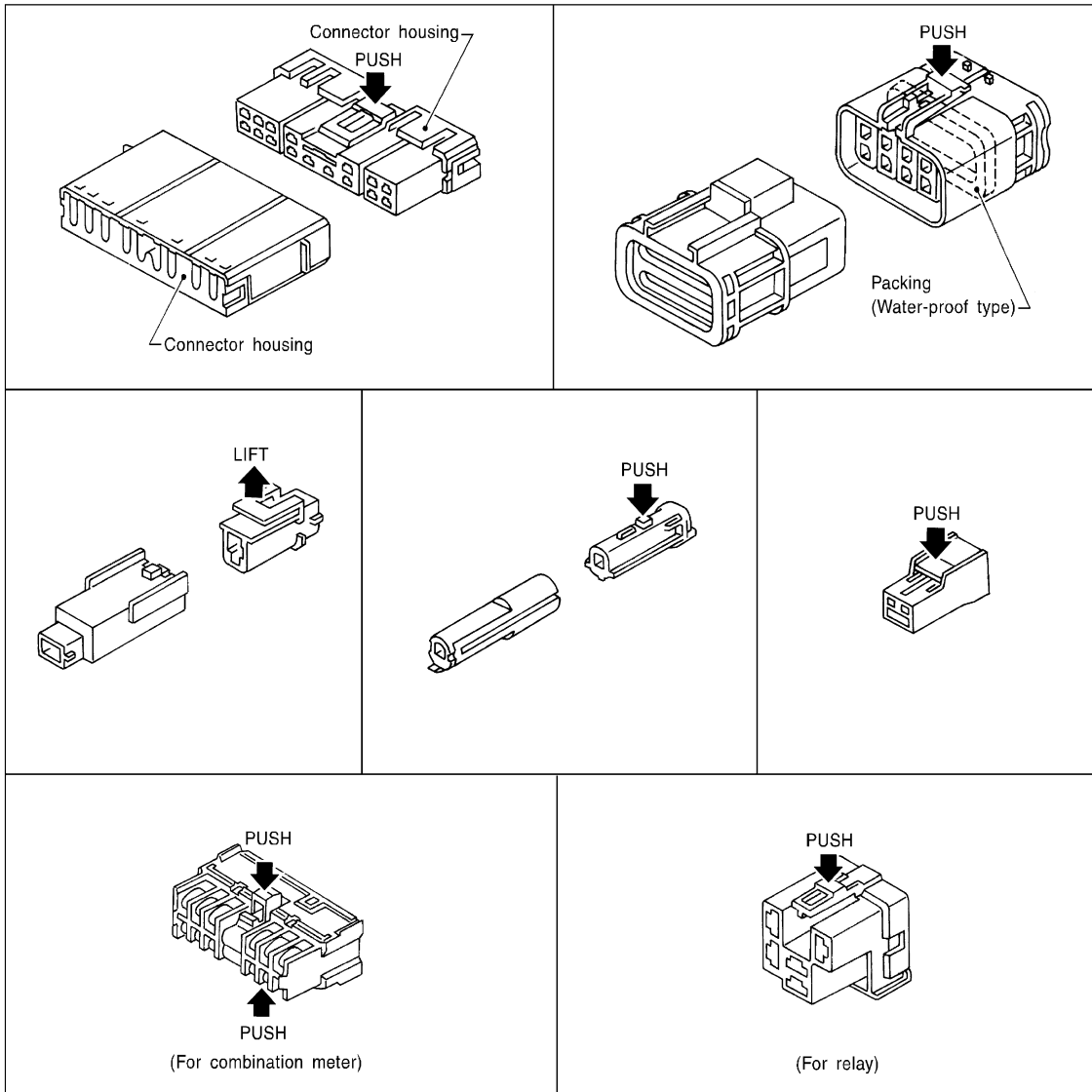
#### HARNESS CONNECTOR (TAB-LOCKING TYPE)

- The tab-locking type connectors help prevent accidental looseness or disconnection.
- The tab-locking type connectors are disconnected by pushing or lifting the locking tab(s). Refer to the figure below.

**CAUTION:**

**Never pull the harness or wires when disconnecting the connector.**

[Example]



#### HARNESS CONNECTOR (SLIDE-LOCKING TYPE)

- A new style slide-locking type connector is used on certain systems and components, especially those related to OBD.
- The slide-locking type connectors help prevent incomplete locking and accidental looseness or disconnection.
- The slide-locking type connectors are disconnected by pushing or pulling the slider. Refer to the figure below.

SEL769DA

A  
B  
C  
D  
E  
F  
G  
H  
I  
J  
K  
L  
PG  
N  
O  
P

# HARNESS CONNECTOR

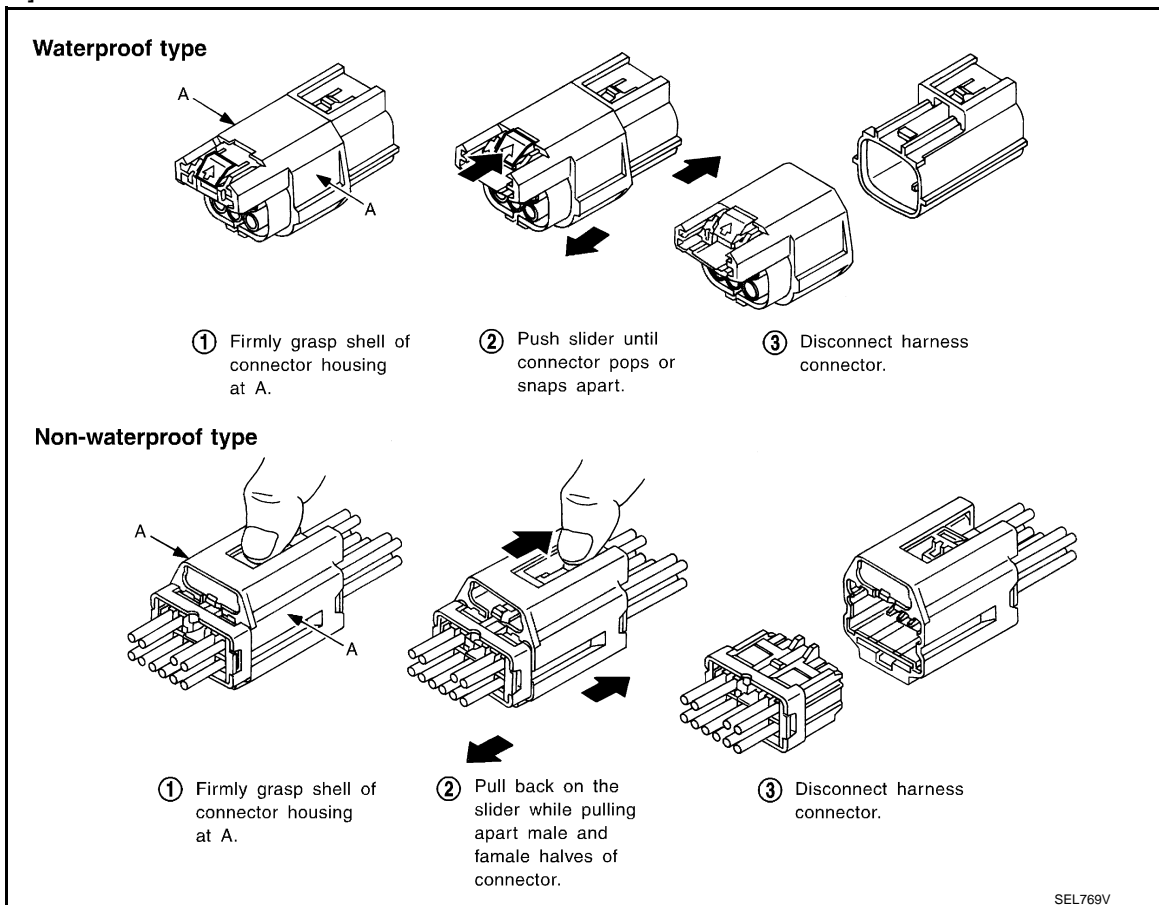
< DTC/CIRCUIT DIAGNOSIS >

[POWER SUPPLY & GROUND CIRCUIT]

## CAUTION:

- Never pull the harness or wires when disconnecting the connector.
- Be careful not to damage the connector support bracket when disconnecting the connector.

[Example]



## HARNESS CONNECTOR (LEVER LOCKING TYPE)

- Lever locking type harness connectors are used on certain control units and control modules such as ECM, ABS actuator and electric unit (control unit), etc.
- Lever locking type harness connectors are also used on super multiple junction (SMJ) connectors.
- Always confirm the lever is fully locked in place by moving the lever as far as it will go to ensure full connection.

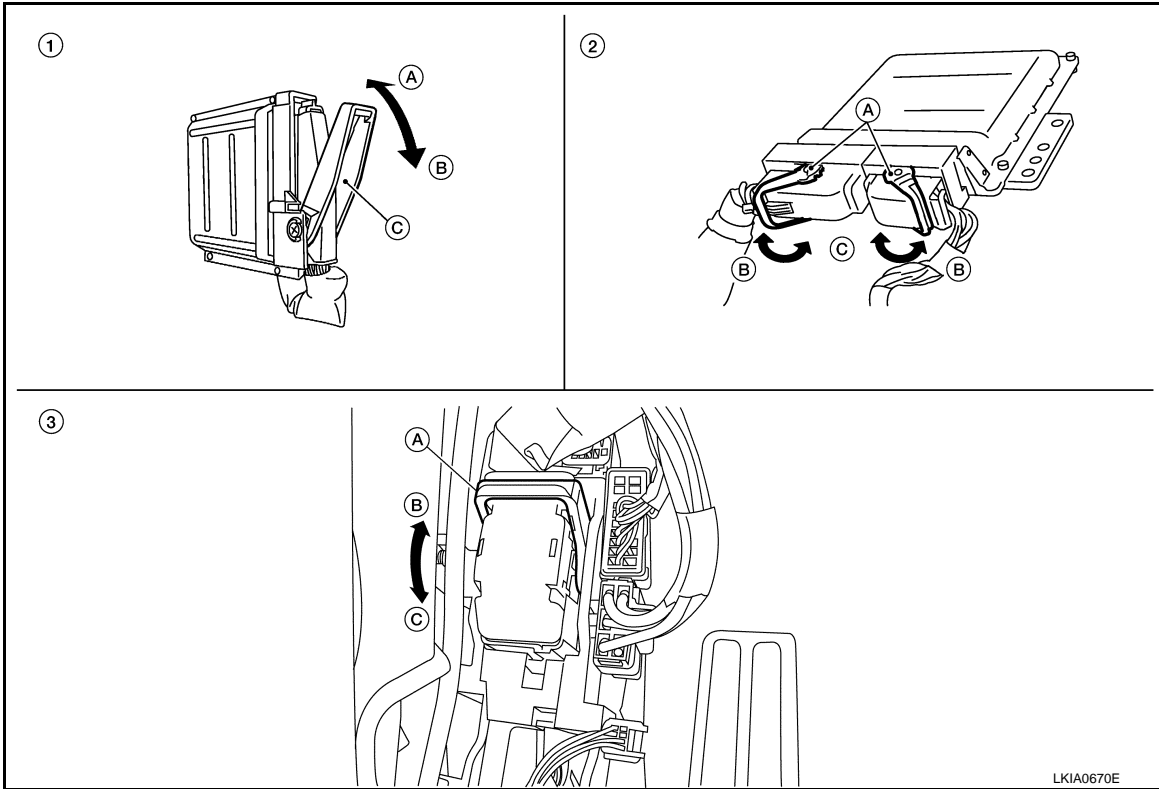
## CAUTION:

# HARNES CONNECTOR

< DTC/CIRCUIT DIAGNOSIS >

[POWER SUPPLY & GROUND CIRCUIT]

Always confirm the lever is fully released (loosened) before attempting to disconnect or connect these connectors to avoid damage to the connector housing or terminals.



1. Control unit with single lever  
A. Fasten  
B. Loosen  
C. Lever

2. Control unit with dual levers  
A. Levers  
B. Fasten  
C. Loosen

3. SMJ connector  
A. Lever  
B. Fasten  
C. Loosen

A  
B  
C  
D  
E  
F  
G  
H  
I  
J  
K  
L  
N  
O  
P

PG

# STANDARDIZED RELAY

< DTC/CIRCUIT DIAGNOSIS >

[POWER SUPPLY & GROUND CIRCUIT]

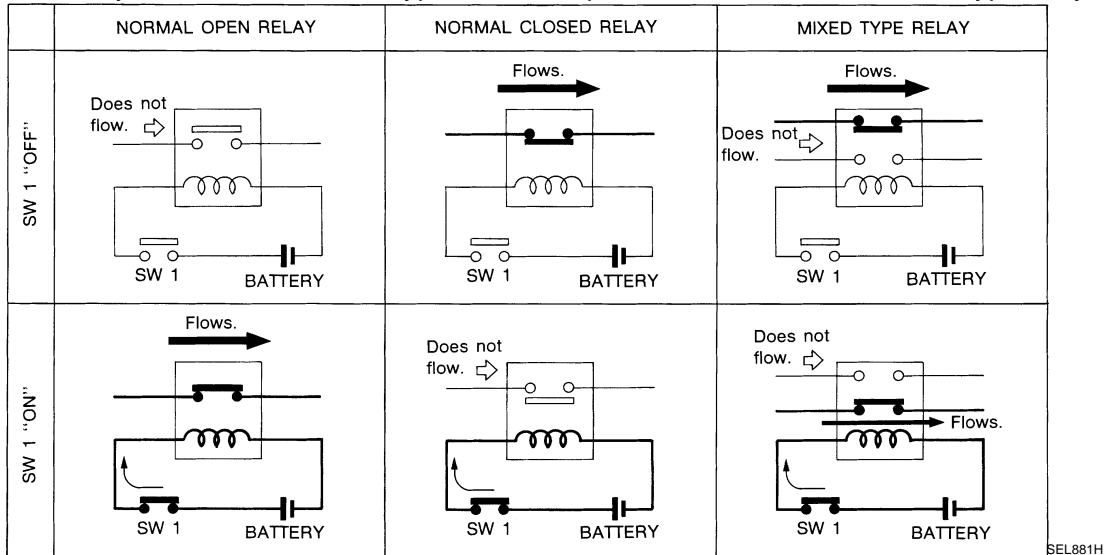
## STANDARDIZED RELAY

### Description

INFOID:000000008294896

### NORMAL OPEN, NORMAL CLOSED AND MIXED TYPE RELAYS

Relays can mainly be divided into three types: normal open, normal closed and mixed type relays.



SEL881H

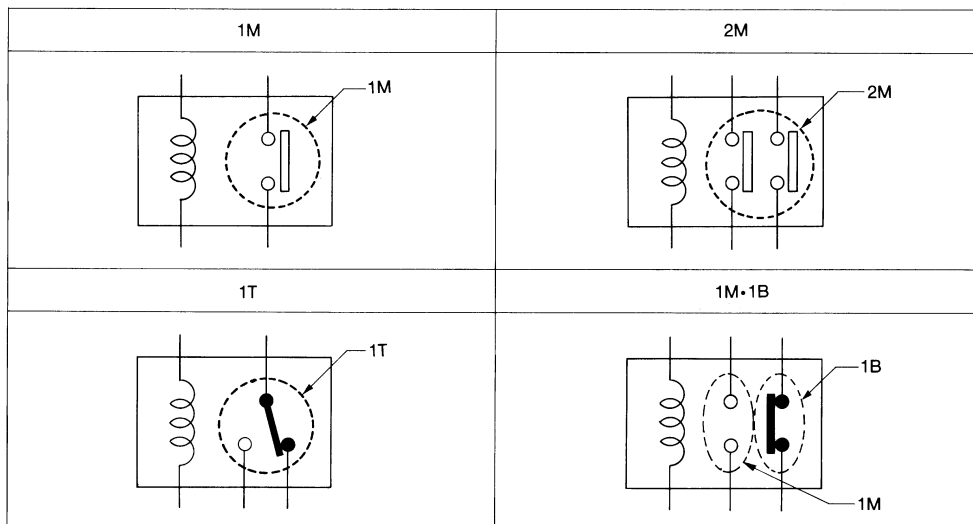
### TYPE OF STANDARDIZED RELAYS

1M ..... 1 Make

2M ..... 2 Make

1T ..... 1 Transfer

1M·1B ..... 1 Make 1 Break



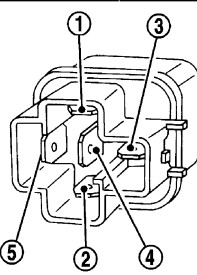
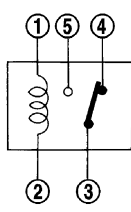
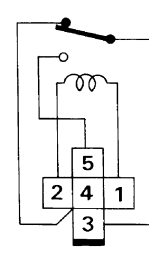
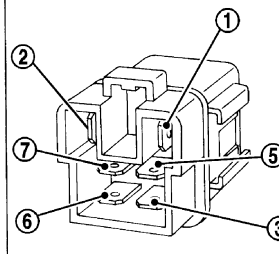
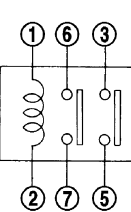
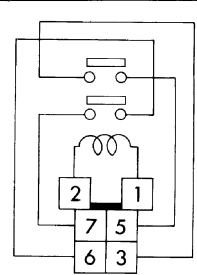
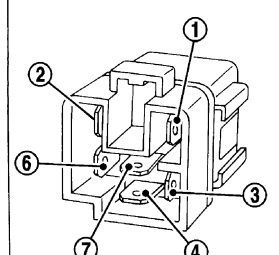
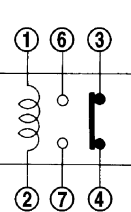
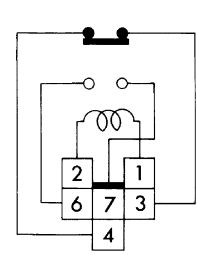
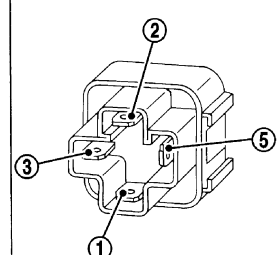
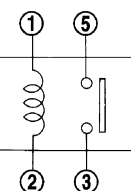
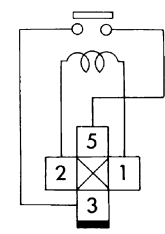
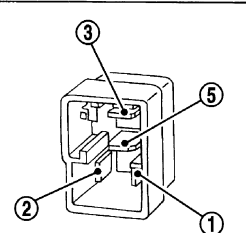
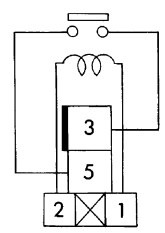
SEL882H



# STANDARDIZED RELAY

< DTC/CIRCUIT DIAGNOSIS >

[POWER SUPPLY & GROUND CIRCUIT]

Type	Outer view	Circuit	Connector symbol and connection	Case color
1T				BLACK
2M				BROWN
1M•1B				GRAY
1M				BLUE
				

The arrangement of terminal numbers on the actual relays may differ from those shown above.

SEL188W

A  
B  
C  
D  
E  
F  
G  
H  
I  
J  
K  
L  
PG  
N  
O  
P

# FUSE BLOCK - JUNCTION BOX (J/B)

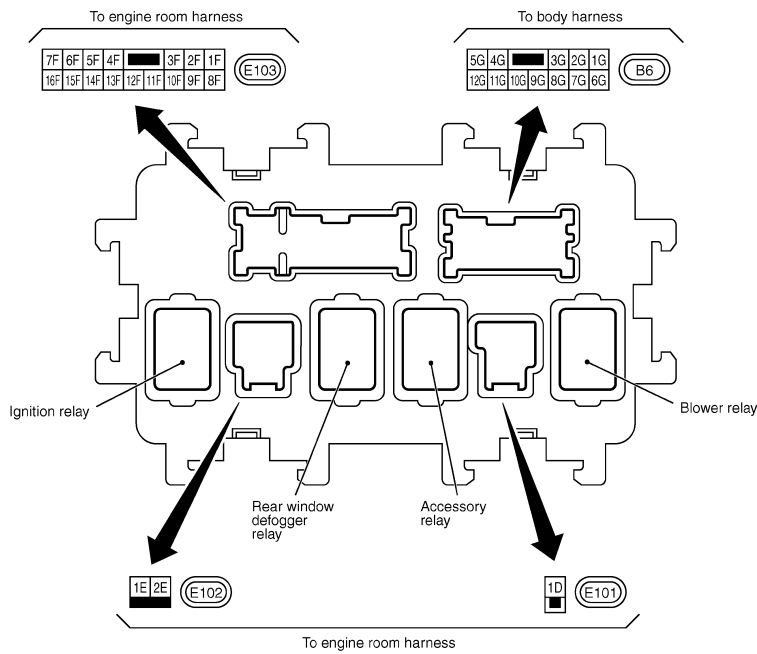
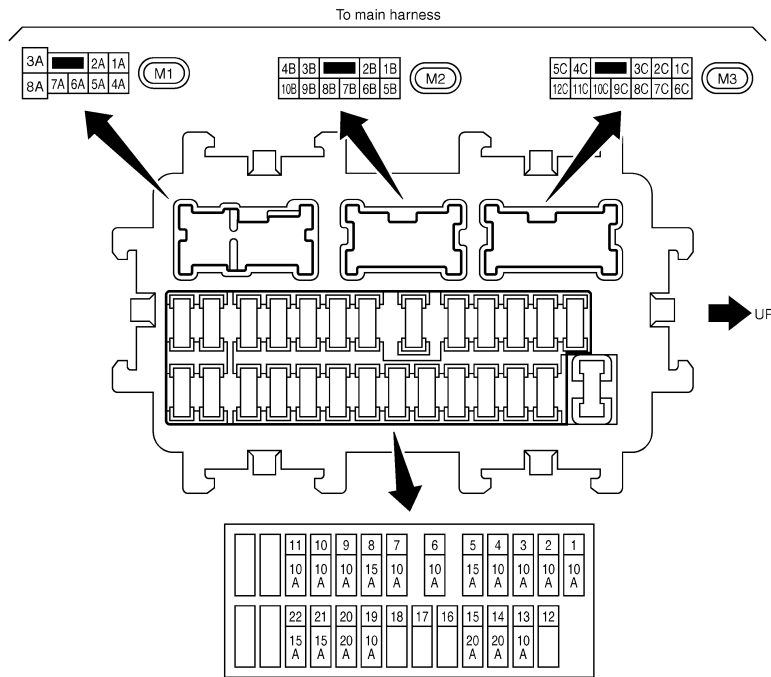
< DTC/CIRCUIT DIAGNOSIS >

[POWER SUPPLY & GROUND CIRCUIT]

## FUSE BLOCK - JUNCTION BOX (J/B)

### Fuse, Connector and Terminal Arrangement

INFOID:000000008294897



2012/07/10

JRMWD3170GB

# FUSE, FUSIBLE LINK AND RELAY BOX

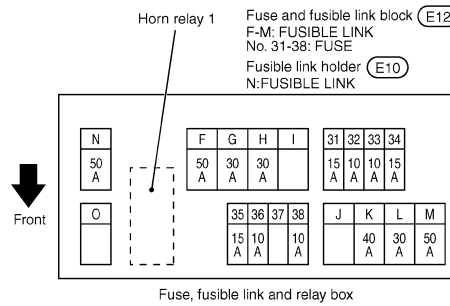
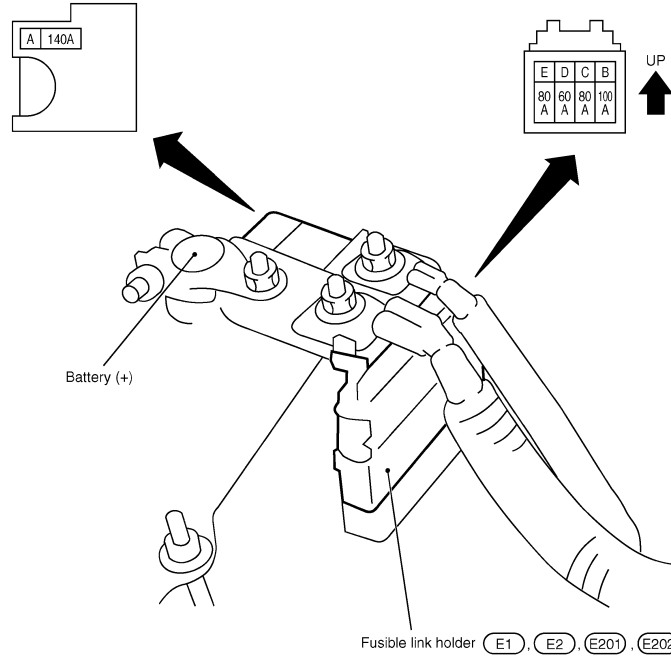
< DTC/CIRCUIT DIAGNOSIS >

[POWER SUPPLY & GROUND CIRCUIT]

## FUSE, FUSIBLE LINK AND RELAY BOX

### Fuse and Fusible Link Arrangement

INFOID:000000008294898



2010/08/18

JCMWM9862GB

A  
B  
C  
D  
E  
F  
G  
H  
I  
J  
K  
L  
PG  
N  
O  
P

# IPDM E/R (INTELLIGENT POWER DISTRIBUTION MODULE ENGINE ROOM)

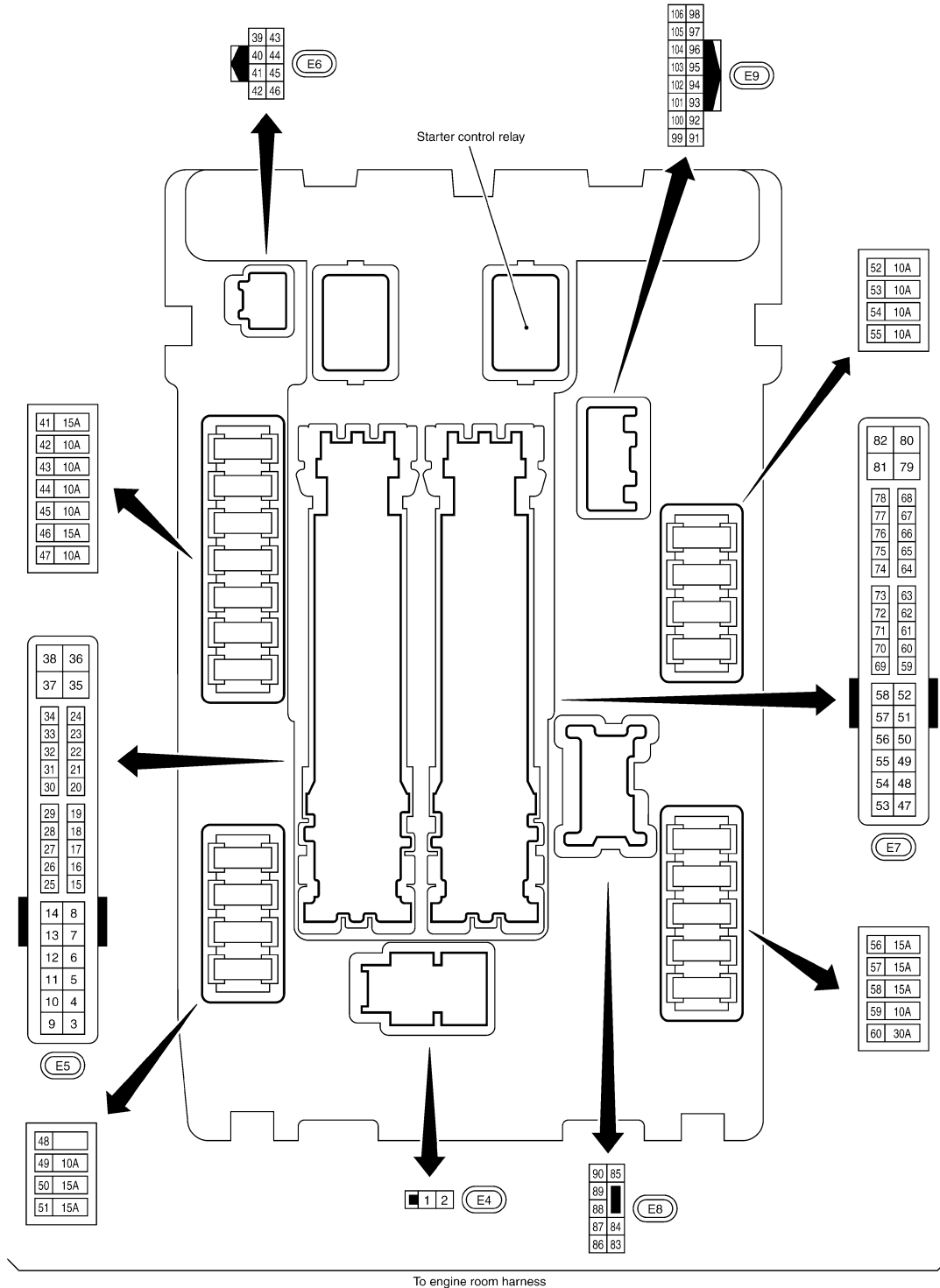
< DTC/CIRCUIT DIAGNOSIS >

[POWER SUPPLY & GROUND CIRCUIT]

## IPDM E/R (INTELLIGENT POWER DISTRIBUTION MODULE ENGINE ROOM)

### Fuse, Connector and Terminal Arrangement

INFOID:000000008294899



2011/07/07

JRMWC4290GB

# PRECAUTIONS

< PRECAUTION >

[POWER SUPPLY & GROUND CIRCUIT]

## PRECAUTION

### PRECAUTIONS

#### Precaution for Supplemental Restraint System (SRS) "AIR BAG" and "SEAT BELT PRE-TENSIONER"

INFOID:000000008294900

The Supplemental Restraint System such as "AIR BAG" and "SEAT BELT PRE-TENSIONER", used along with a front seat belt, helps to reduce the risk or severity of injury to the driver and front passenger for certain types of collision. This system includes seat belt switch inputs and dual stage front air bag modules. The SRS system uses the seat belt switches to determine the front air bag deployment, and may only deploy one front air bag, depending on the severity of a collision and whether the front occupants are belted or unbelted. Information necessary to service the system safely is included in the "SRS AIR BAG" and "SEAT BELT" of this Service Manual.

#### **WARNING:**

Always observe the following items for preventing accidental activation.

- To avoid rendering the SRS inoperative, which could increase the risk of personal injury or death in the event of a collision that would result in air bag inflation, all maintenance must be performed by an authorized NISSAN/INFINITI dealer.
- Improper maintenance, including incorrect removal and installation of the SRS, can lead to personal injury caused by unintentional activation of the system. For removal of Spiral Cable and Air Bag Module, see "SRS AIR BAG".
- Never use electrical test equipment on any circuit related to the SRS unless instructed to in this Service Manual. SRS wiring harnesses can be identified by yellow and/or orange harnesses or harness connectors.

#### PRECAUTIONS WHEN USING POWER TOOLS (AIR OR ELECTRIC) AND HAMMERS

#### **WARNING:**

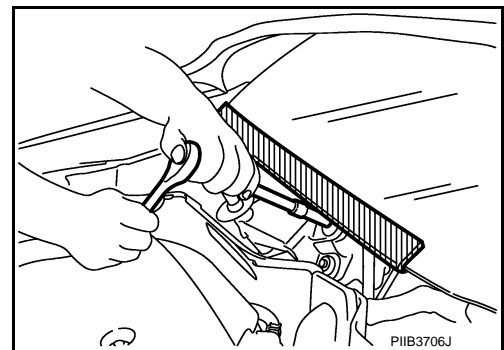
Always observe the following items for preventing accidental activation.

- When working near the Air Bag Diagnosis Sensor Unit or other Air Bag System sensors with the ignition ON or engine running, never use air or electric power tools or strike near the sensor(s) with a hammer. Heavy vibration could activate the sensor(s) and deploy the air bag(s), possibly causing serious injury.
- When using air or electric power tools or hammers, always switch the ignition OFF, disconnect the battery, and wait at least 3 minutes before performing any service.

#### Precaution for Procedure without Cowl Top Cover

INFOID:000000008294901

When performing the procedure after removing cowl top cover, cover the lower end of windshield with urethane, etc to prevent damage to windshield.



# PREPARATION

[POWER SUPPLY & GROUND CIRCUIT]

< PREPARATION >

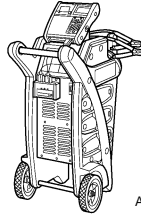
## PREPARATION

### PREPARATION

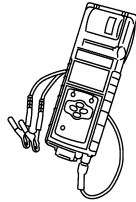
#### Special Service Tools

INFOID:000000008294902

Tool number (Kent-Moore No.) Tool name	Description
— (→) Model GR8-1200 NI Multitasking battery and electrical diagnostic station	Tests batteries, starting and charging systems and charges batteries. For operating instructions, refer to diagnostic station instruction manual.
— (→) Model EXP-800 NI Battery and electrical diagnostic analyzer	Tests batteries and charging systems. For operating instructions, refer to diagnostic analyzer instruction manual.



AW11A1239ZZ



JSMA0806ZZ

# BATTERY

< REMOVAL AND INSTALLATION >

[POWER SUPPLY & GROUND CIRCUIT]

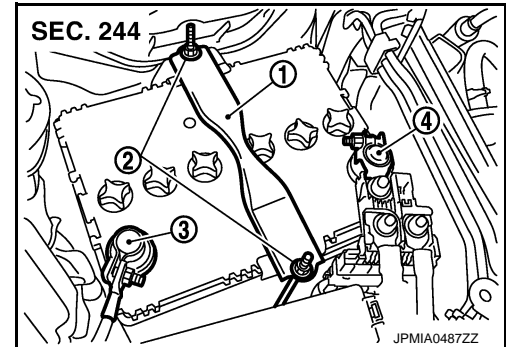
## REMOVAL AND INSTALLATION

### BATTERY

#### Exploded View

INFOID:000000008294903

- 1 : Battery fix frame
- 2 : Battery fix frame mounting nuts
- 3 : Battery terminal (-)
- 4 : Battery terminal (+)

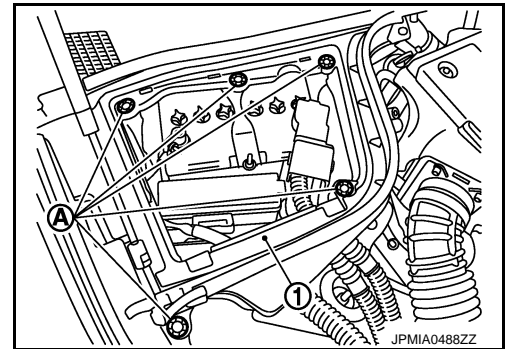


#### Removal and Installation

INFOID:000000008294904

##### REMOVAL

1. Remove battery cover.
2. Remove the clips (A), and remove hoodledge cover (RH) (1).

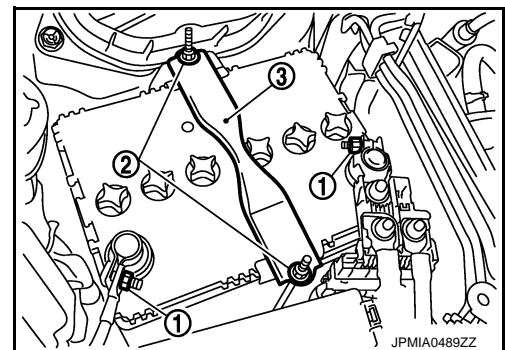


3. Remove cowl top cover (RH). Refer to [EXT-24. "Exploded View"](#).
4. Remove cover of battery positive terminal.
5. Loosen battery terminal nuts (1), and disconnect both battery cables from battery terminals.

**CAUTION:**

**When disconnecting, disconnect the battery cable from the negative terminal first.**

6. Remove battery fix frame mounting nuts (2) and battery fix frame (3).
7. Remove battery.



##### INSTALLATION

Install in the reverse order of removal.

**CAUTION:**

**When connecting, connect the battery cable to the positive terminal first.**

**Battery fix frame mounting nut**

: 3.9 N·m (0.40 kg·m, 35 in·lb)

**Battery terminal nut**

: 5.4 N·m (0.55 kg·m, 48 in·lb)

A  
B  
C  
D  
E  
F  
G  
H  
I  
J  
K  
L  
PG  
N  
O  
P

## BATTERY

< REMOVAL AND INSTALLATION >

[POWER SUPPLY & GROUND CIRCUIT]

Reset electronic systems as necessary. Refer to [GI-54. "ADDITIONAL SERVICE WHEN REMOVING BATTERY NEGATIVE TERMINAL : Required Procedure After Battery Disconnection"](#).



# BATTERY TERMINAL WITH FUSIBLE LINK

< REMOVAL AND INSTALLATION >

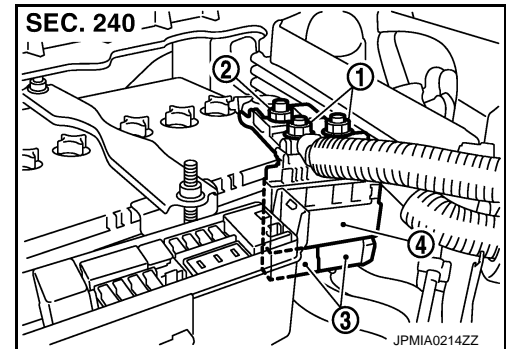
[POWER SUPPLY & GROUND CIRCUIT]

## BATTERY TERMINAL WITH FUSIBLE LINK

### Exploded View

INFOID:000000008294905

- 1 : Harness mounting nut
- 2 : Fusible link holder mounting nut
- 3 : Harness connector
- 4 : Battery terminal with fusible link

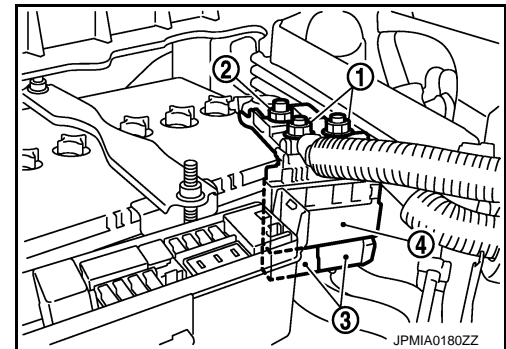


### Removal and Installation

INFOID:000000008294906

#### REMOVAL

1. Remove battery cover.
2. Disconnect the battery cable from the negative terminal.
3. Remove cover of battery positive terminal.
4. Remove harness mounting nuts (1) to disconnect harness connectors (3).
5. Remove fusible link holder mounting nut (2) to remove battery terminal with fusible link (4).



#### INSTALLATION

Install in the reverse order of removal.

#### Harness mounting nut

: 13.2 N·m (1.3 kg-m, 10 ft-lb)

#### Fusible link holder mounting nut

: 13.2 N·m (1.3 kg-m, 10 ft-lb)

A  
B  
C  
D  
E  
F  
G  
H  
I  
J  
K  
L  
PG  
N  
O  
P

## SERVICE DATA AND SPECIFICATIONS (SDS)

< SERVICE DATA AND SPECIFICATIONS (SDS)

[POWER SUPPLY & GROUND CIRCUIT]

## SERVICE DATA AND SPECIFICATIONS (SDS)

### SERVICE DATA AND SPECIFICATIONS (SDS)

#### Battery

INFOID:000000008294907

Type		80D23L
20 hour rate capacity	[V - Ah]	12 - 62
Cold cranking current (For reference value)	[A]	582