

SECTION **RSU**
 REAR SUSPENSION

A
B
C
D

RSU

CONTENTS

SYMPTOM DIAGNOSIS	2	Disposal	12	F
NOISE, VIBRATION AND HARSHNESS (NVH) TROUBLESHOOTING	2	SUSPENSION ARM	13	G
NVH Troubleshooting Chart	2	Exploded View	13	
PRECAUTION	3	Removal and Installation	14	
PRECAUTIONS	3	Inspection	14	H
Precautions for Suspension	3	RADIUS ROD	16	
PREPARATION	4	Exploded View	16	I
PREPARATION	4	Removal and Installation	17	
Special Service Tool	4	Inspection	17	J
Commercial Service Tool	4	FRONT LOWER LINK	18	
PERIODIC MAINTENANCE	5	Exploded View	18	K
REAR SUSPENSION ASSEMBLY	5	Removal and Installation	19	
Inspection	5	Inspection	19	L
WHEEL ALIGNMENT	6	REAR STABILIZER	20	
Inspection	6	Exploded View	20	M
Adjustment	6	Removal and Installation	21	
REMOVAL AND INSTALLATION	8	Inspection	21	N
REAR LOWER LINK & COIL SPRING	8	UNIT REMOVAL AND INSTALLATION	22	
Exploded View	8	REAR SUSPENSION MEMBER	22	O
Removal and Installation	9	Exploded View	22	
Inspection	9	Removal and Installation	23	P
REAR SHOCK ABSORBER	10	Inspection	24	
Exploded View	10	SERVICE DATA AND SPECIFICATIONS (SDS)	25	
Removal and Installation	11	SERVICE DATA AND SPECIFICATIONS (SDS)	25	
Disassembly and Assembly	11	Wheel Alignment	25	
Inspection	11	Ball Joint	25	
		Wheelarch Height	25	

NOISE, VIBRATION AND HARSHNESS (NVH) TROUBLESHOOTING

< SYMPTOM DIAGNOSIS >

SYMPTOM DIAGNOSIS

NOISE, VIBRATION AND HARSHNESS (NVH) TROUBLESHOOTING

NVH Troubleshooting Chart

INFOID:000000008295051

Use chart below to find the cause of the symptom. If necessary, repair or replace these parts.

Symptom		Possible cause and SUSPECTED PARTS		Reference														
				RSU-8, RSU-10, RSU-13, RSU-16, RSU-18, RSU-20	RSU-11	—	—	RSU-9	RSU-8, RSU-10, RSU-13, RSU-16, RSU-18, RSU-20	RSU-6	RSU-21	NVH in DLN section.	NVH in DLN section.	NVH in RAX and RSU sections.	NVH in WT section.	NVH in WT section.	NVH in RAX section.	NVH in BR section.
REAR SUSPENSION	Noise	x	x	x	x	x	x			x	x	x	x	x	x	x	x	x
	Shake	x	x	x	x		x			x		x	x	x	x	x	x	x
	Vibration	x	x	x	x	x				x		x	x		x			x
	Shimmy	x	x	x	x			x				x	x	x		x	x	x
	Judder	x	x	x								x	x	x		x		x
	Poor quality ride or handling	x	x	x	x	x		x	x			x	x	x				

x: Applicable

PRECAUTIONS

< PRECAUTION >

PRECAUTION

PRECAUTIONS

Precautions for Suspension

INFOID:000000008295052

- When installing rubber bushings, the final tightening must be carried out under unladen conditions with tires on ground. Spilled oil might shorten the life of rubber bushings. Be sure to wipe off any spilled oil.
- Unladen conditions mean that fuel, engine coolant and lubricant are full. Spare tire, jack, hand tools and mats are in designated positions.
- After servicing suspension parts, be sure to check wheel alignment.
- Self-lock nuts are not reusable. Always use new ones when installing. Since new self-lock nuts are pre-oiled, tighten as they are.

A

B

C

D

RSU

F

G

H

I

J

K

L

M

N

O

P

PREPARATION

< PREPARATION >

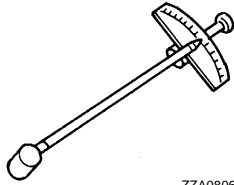
PREPARATION

PREPARATION

Special Service Tool

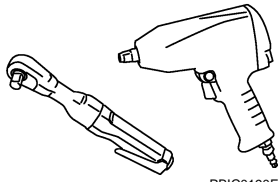
INFOID:000000008295053

The actual shapes of Kent-Moore tools may differ from those of special service tools illustrated here.

Tool number (Kent-Moore No.) Tool name	Description
ST3127S000 (J-25765-A) Preload gauge  ZZA0806D	Measuring rotating torque of ball joint

Commercial Service Tool

INFOID:000000008295054

Tool name	Description
Power tool  PBIC0190E	Loosening bolts and nuts

REAR SUSPENSION ASSEMBLY

< PERIODIC MAINTENANCE >

PERIODIC MAINTENANCE

REAR SUSPENSION ASSEMBLY

Inspection

INFOID:000000008295055

COMPONENT PART

Check the mounting conditions (looseness, backlash) of each component and component conditions (wear, damage) are normal.

Ball Joint Axial End Play

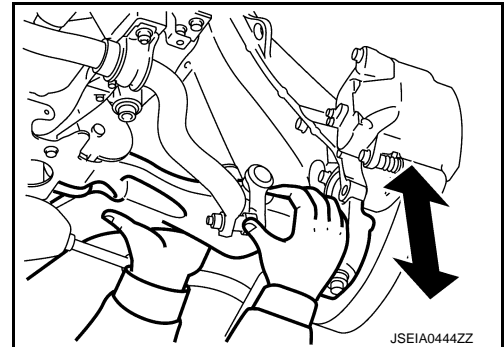
Move axle side of suspension arm in the axial direction by hand.
Check there is no end play.

Standard

Axial end play : Refer to [RSU-25, "Ball Joint"](#).

CAUTION:

- Never depress brake pedal when measuring.
- Never perform with tires on level ground.
- Be careful not to damage ball joint boot. Never damage the installation position by applying excessive force.



SHOCK ABSORBER

Check for oil leakage, damage and replace if malfunction is detected.

A
B
C
D
RSU
F
G
H
I
J
K
L
M
N
O
P

WHEEL ALIGNMENT

< PERIODIC MAINTENANCE >

WHEEL ALIGNMENT

Inspection

INFOID:000000008295056

DESCRIPTION

- Measure wheel alignment under unladen conditions.

NOTE:

“Unladen conditions” means that fuel, engine coolant, and lubricant are full. Spare tire, jack, hand tools and mats are in designated positions.

PRELIMINARY CHECK

Check the following:

- Tires for improper air pressure and wear. Refer to [WT-49, "Tire Air Pressure"](#).
- Road wheels for runout.
- Wheel bearing axial end play. Refer to [RAX-5, "Inspection"](#).
- Ball joint axial end play of suspension arm. Refer to [RSU-5, "Inspection"](#).
- Shock absorber operation.
- Each mounting point of axle and suspension for looseness and deformation.
- Each of front lower link, rear lower link, radius rod, rear suspension member, suspension arm and shock absorber for cracks, deformation, and other damage.
- Vehicle height (posture).

GENERAL INFORMATION AND RECOMMENDATIONS

- A four-wheel thrust alignment should be performed.
- This type of alignment is recommended for any NISSAN/INFINITI vehicle.
- The four-wheel “thrust” process helps ensure that the vehicle is properly aligned and the steering wheel is centered.
- The alignment rack itself should be capable of accepting any NISSAN/INFINITI vehicle.
- The rack should be checked to ensure that it is level.
- Make sure the machine is properly calibrated.
- Your alignment equipment should be regularly calibrated in order to give correct information.
- Check with the manufacturer of your specific equipment for their recommended Service/Calibration Schedule.

ALIGNMENT PROCESS

IMPORTANT:

Use only the alignment specifications listed in this Service Manual.

- When displaying the alignment settings, many alignment machines use “indicators”: (Green/red, plus or minus, Go/No Go). **Never use these indicators.**
- The alignment specifications programmed into your machine that operate these indicators may not be correct.
- This may result in an ERROR.
- Most camera-type alignment machines are equipped with both “Rolling Compensation” method and optional “Jacking Compensation” method to “compensate” the alignment targets or head units. “Rolling Compensation” is the preferred method.
- If using the “Rolling Compensation” method, after installing the alignment targets or head units, push or pull on the rear wheel to move the vehicle. **Do not push or pull on the vehicle body.**
- If using the “Jacking Compensation” method, after installing the alignment targets or head units, raise the vehicle and rotate the wheels 1/2 turn both ways.

NOTE:

- Do not use the “Rolling Compensation” method if you are using sensor-type alignment equipment.
- Follow all instructions for the alignment machine you're using for more information.

Adjustment

INFOID:000000008295057

CAMBER

WHEEL ALIGNMENT

< PERIODIC MAINTENANCE >

- If outside the standard value, adjust with adjusting bolt (1) in front lower link (2).

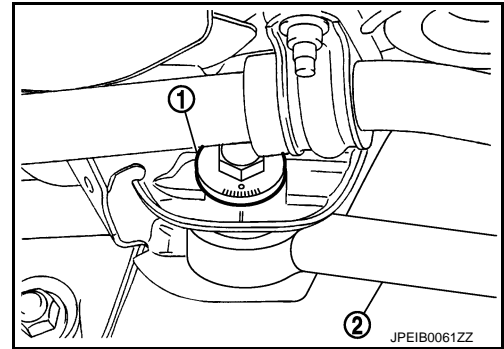
Standard

Camber: Refer to [FSU-45, "Wheel Alignment"](#).

CAUTION:

After adjusting camber, be sure to check toe-in.

- If camber is not still within the specification, inspect and replace any damaged or worn suspension parts.



TOE-IN

- If toe-in is not within the specification, adjust with adjusting bolt (1) in rear lower link (2).

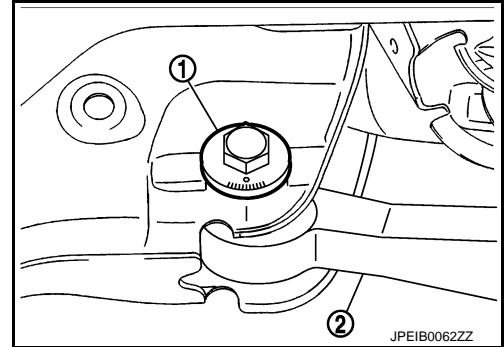
Standard

Toe-In: Refer to [FSU-45, "Wheel Alignment"](#).

CAUTION:

Be sure to adjust equally on RH and LH side with adjusting bolt.

- If toe-in is not still within the specification, inspect and replace any damaged or worn suspension parts.
- After toe-in adjustment, adjust neutral position of steering angle sensor. Refer to [BRC-9, "ADJUSTMENT OF STEERING ANGLE SENSOR NEUTRAL POSITION : Special Repair Requirement"](#).



A
B
C
D
E
F
G
H
I
J
K
L
M
N
O
P

RSU

REAR LOWER LINK & COIL SPRING

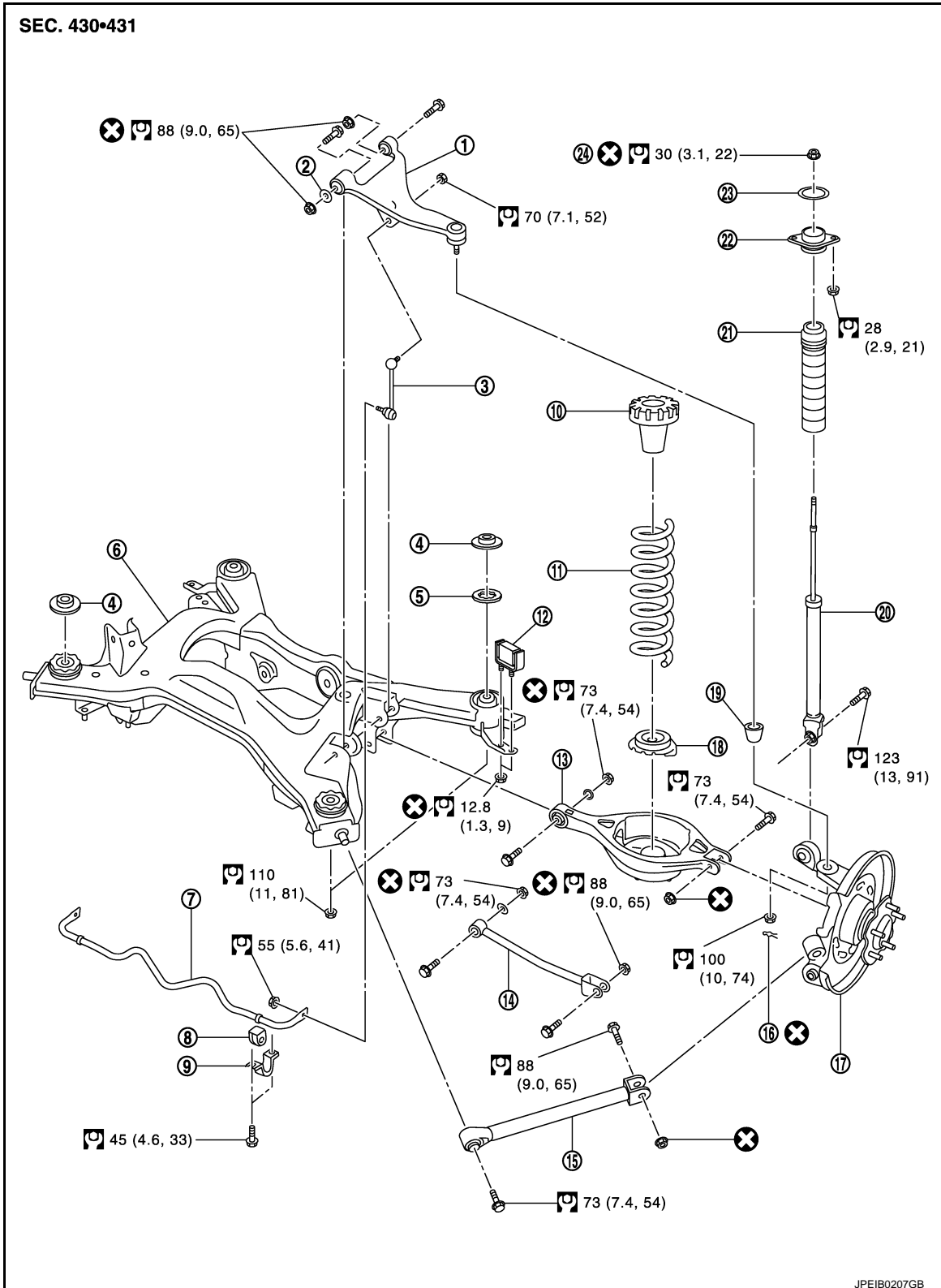
< REMOVAL AND INSTALLATION >

REMOVAL AND INSTALLATION

REAR LOWER LINK & COIL SPRING

Exploded View

INFOID:000000008295058



REAR LOWER LINK & COIL SPRING

< REMOVAL AND INSTALLATION >

- | | | | |
|-------------------------------------|-----------------------|---------------------------------|---|
| 1. Suspension arm | 2. Stopper rubber | 3. Stabilizer connecting rod | A |
| 4. Upper stopper (AWD model) | 5. Mount stopper | 6. Suspension member | B |
| 7. Stabilizer bar | 8. Stabilizer bushing | 9. Stabilizer clamp | C |
| 10. Upper seat | 11. Coil spring | 12. Damper assembly (AWD model) | D |
| 13. Rear lower link | 14. Front lower link | 15. Radius rod | |
| 16. Cotter pin | 17. Axle assembly | 18. Rubber seat | |
| 19. Ball seat | 20. Shock absorber | 21. Bound bumper cover | |
| 22. Shock absorber mounting bracket | 23. Mounting seal | 24. Piston rod lock nut | |

Refer to [GI-4, "Components"](#) for symbols in the figure.

Removal and Installation

INFOID:000000008295059

REMOVAL

1. Remove tires with power tool.
2. Set suitable jack under rear lower link to relieve the coil spring tension.
3. Loosen rear lower link mounting bolts and nuts (rear suspension member side), and then remove rear lower link mounting bolts and nuts (axle housing side) with power tool.
4. Slowly lower jack, then remove upper seat, coil spring and rubber sheet from rear lower link.
5. Remove rear lower link mounting bolts and nuts (rear suspension member side) to remove rear lower link with power tool.

INSTALLATION

Note the following, and install in the reverse order of removal.

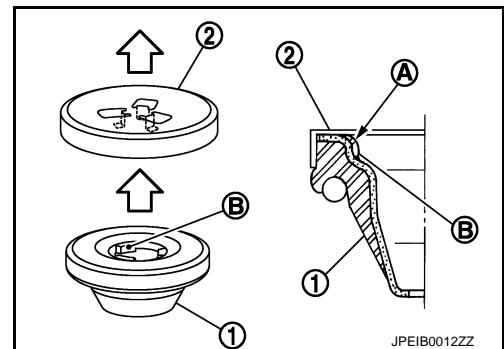
- Make sure that upper seat is attached as shown in the figure.

CAUTION:

Make sure that the projecting parts (A) on upper seat (1) inside is securely fitted on the bracket (2) tabs (B).

← Body

- Match up rubber seat indentions and rear lower link grooves and attach.

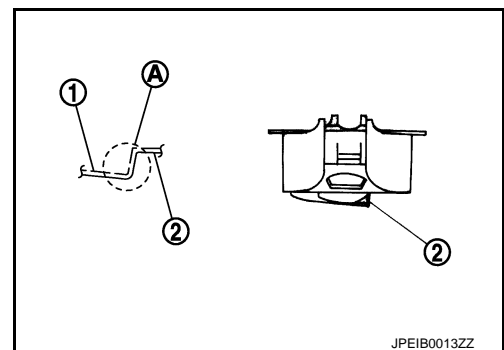


- Install the coil spring by aligning the lower end of the large diameter side to the step (A) between the rubber seat (1) and the rear lower link (2).

CAUTION:

Make sure spring is not up side down. The top and bottom are indicated by paint color.

- Perform the final tightening of rear suspension member and axle installation position (rubber bushing) under unladen condition with tires on level ground.



Inspection

INFOID:000000008295060

INSPECTION AFTER REMOVAL

Check rear lower link, bushing and coil spring for deformation, crack, and damage. Replace it if necessary.

INSPECTION AFTER INSTALLATION

Check wheel alignment. Refer to [RSU-6, "Inspection"](#).

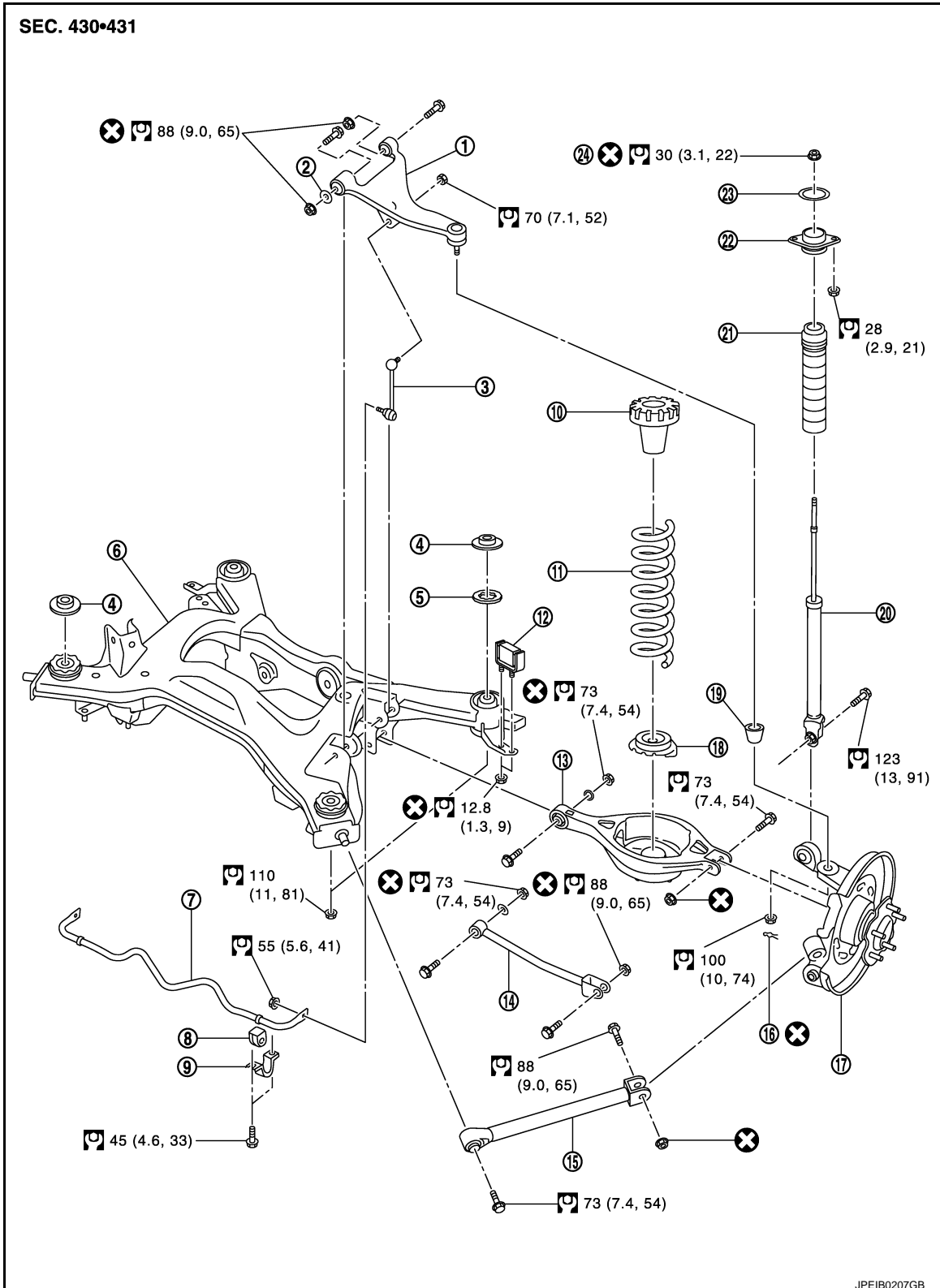
REAR SHOCK ABSORBER

< REMOVAL AND INSTALLATION >

REAR SHOCK ABSORBER

Exploded View

INFOID:000000008295061



- | | | |
|------------------------------|-----------------------|------------------------------|
| 1. Suspension arm | 2. Stopper rubber | 3. Stabilizer connecting rod |
| 4. Upper stopper (AWD model) | 5. Mount stopper | 6. Suspension member |
| 7. Stabilizer bar | 8. Stabilizer bushing | 9. Stabilizer clamp |

REAR SHOCK ABSORBER

< REMOVAL AND INSTALLATION >

- | | | |
|-------------------------------------|----------------------|---------------------------------|
| 10. Upper seat | 11. Coil spring | 12. Damper assembly (AWD model) |
| 13. Rear lower link | 14. Front lower link | 15. Radius rod |
| 16. Cotter pin | 17. Axle assembly | 18. Rubber seat |
| 19. Ball seat | 20. Shock absorber | 21. Bound bumper cover |
| 22. Shock absorber mounting bracket | 23. Mounting seal | 24. Piston rod lock nut |

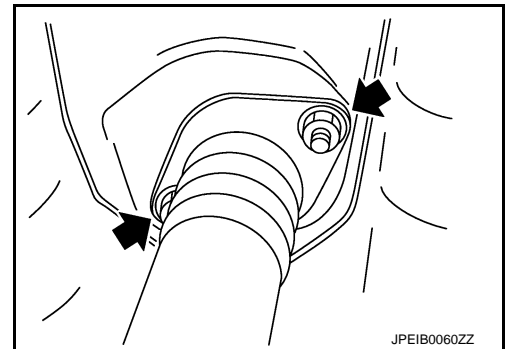
Refer to [GI-4, "Components"](#) for symbols in the figure.

Removal and Installation

INFOID:000000008295062

REMOVAL

1. Remove tires with power tool.
2. Set suitable jack under axle assembly to relieve the coil spring tension.
3. Remove shock absorber (lower side).
4. Gradually lower the jack to remove it from rear lower link.
5. Remove shock absorber assembly mounting nuts (upper side) (←) with power tool, and then remove shock absorber assembly.



INSTALLATION

Note the following, and install in the reverse order of removal.

- Perform final tightening of bolts and nuts at the shock absorber lower side (rubber bushing), under unladen conditions with tires on level ground.

Disassembly and Assembly

INFOID:000000008295063

DISASSEMBLY

CAUTION:

Never damage shock absorber piston rod when removing components from shock absorber.

1. Wrap a shop cloth around lower side of shock absorber and fix it with a vise.
CAUTION:
Never set the cylindrical part of shock absorber with a vise.
2. Secure the piston rod tip so that piston rod does not turn, and remove piston rod lock nut.
3. Remove mounting seal, mounting bracket and bound bumper cover from shock absorber.

ASSEMBLY

Install in the reverse order of removal.

Inspection

INFOID:000000008295064

INSPECTION AFTER REMOVAL

Check the following items, and replace the part if necessary.

- Check shock absorber assembly for deformation, cracks, damage.
- Check welded and sealed areas for oil leakage.

INSPECTION AFTER DISASSEMBLY

Bound Bumper and Bushing

Check bound bumper cover and bushing for cracks and damage. Replace if necessary.

Shock Absorber

Check the following, and replace the part if necessary.

REAR SHOCK ABSORBER

< REMOVAL AND INSTALLATION >

- Shock absorber for deformation, cracks, and other damage.
- Piston rod for damage, uneven wear, and distortion.

INSPECTION AFTER ASSEMBLY

Make sure piston rod on shock absorber is not damaged when attaching components to shock absorber.

INSPECTION AFTER INSTALLATION

Check wheel alignment. Refer to [RSU-6. "Inspection"](#).

Disposal

INFOID:000000008295065

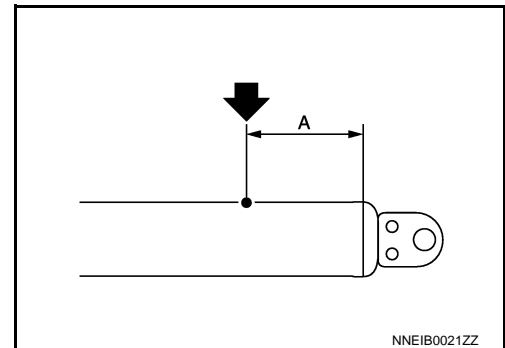
1. Set shock absorber horizontally with the piston rod fully extended.
2. Drill 2 – 3 mm (0.08 – 0.12 in) hole at the position (●) from top as shown in the figure to release gas gradually.

CAUTION:

- **Wear eye protection (safety glasses).**
- **Wear gloves.**
- **Be careful with metal chips or oil blown out by the compressed gas.**

NOTE:

- Drill vertically in this direction (←).
- Directly to the outer tube avoiding brackets.
- The gas is clear, colorless, odorless, and harmless.



NNEIB0021ZZ

A : 20 – 30 mm (0.79 – 1.18 in)

3. Position the drilled hole downward and drain oil by moving the piston rod several times.

CAUTION:

Dispose of drained oil according to the law and local regulations.

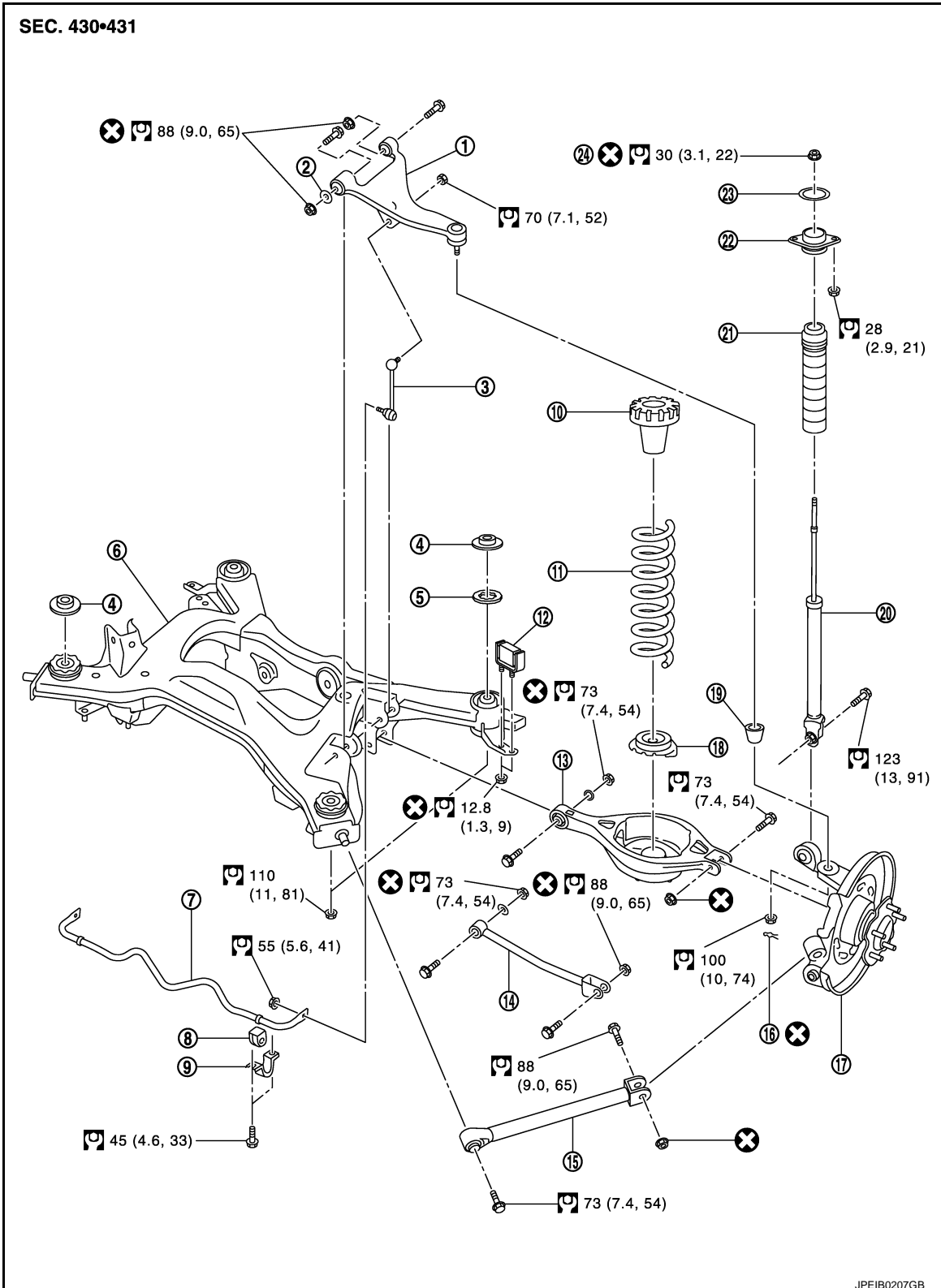
SUSPENSION ARM

< REMOVAL AND INSTALLATION >

SUSPENSION ARM

Exploded View

INFOID:000000008295066



- | | | |
|------------------------------|-----------------------|------------------------------|
| 1. Suspension arm | 2. Stopper rubber | 3. Stabilizer connecting rod |
| 4. Upper stopper (AWD model) | 5. Mount stopper | 6. Suspension member |
| 7. Stabilizer bar | 8. Stabilizer bushing | 9. Stabilizer clamp |

A
B
C
D
RSU
F
G
H
I
J
K
L
M
N
O
P

SUSPENSION ARM

< REMOVAL AND INSTALLATION >

- | | | |
|-------------------------------------|----------------------|---------------------------------|
| 10. Upper seat | 11. Coil spring | 12. Damper assembly (AWD model) |
| 13. Rear lower link | 14. Front lower link | 15. Radius rod |
| 16. Cotter pin | 17. Axle assembly | 18. Rubber seat |
| 19. Ball seat | 20. Shock absorber | 21. Bound bumper cover |
| 22. Shock absorber mounting bracket | 23. Mounting seal | 24. Piston rod lock nut |

Refer to [GI-4, "Components"](#) for symbols in the figure.

Removal and Installation

INFOID:000000008295067

REMOVAL

1. Remove tire with power tool.
2. Remove caliper assembly. Hang caliper assembly in a place where it will not interfere with work. Refer to [BR-57, "BRAKE CALIPER ASSEMBLY \(1 PISTON TYPE\) : Exploded View"](#) (1 piston type), [BR-61, "BRAKE CALIPER ASSEMBLY \(2 PISTON TYPE\) : Exploded View"](#) (2 piston type).
3. Set suitable jack under axle assembly to relieve the coil spring tension.
4. Remove connecting rod mounting bracket from suspension arm with power tool.
5. Remove drive shaft. Refer to [RAX-10, "Exploded View"](#).
6. Remove cotter pin of suspension arm ball joint, and loosen nut.
7. Remove suspension mounting bolts and nuts (rear suspension member side).
8. Use the ball joint remover to remove suspension arm from axle assembly. Be careful not to damage ball joint boot.
CAUTION:
Tighten temporarily mounting nut to prevent damage to threads and to prevent ball joint remover from coming off.
9. Remove suspension arm.

INSTALLATION

Note the following and, install in the reverse order of removal.

- Perform final tightening of rear suspension member installation position (rubber bussing), under unladen conditions with tires on level ground.
- Never reuse cotter pin.

Inspection

INFOID:000000008295068

INSPECTION AFTER REMOVAL

Appearance

Check the following items, and replace the part if necessary.

- Check suspension arm and bushing for deformation, cracks or damage.
- Check boot of ball joint for cracks or damage, and also for grease leakage.

Ball Joint Inspection

Manually move ball stud at least ten times by hand to check for smooth movement.

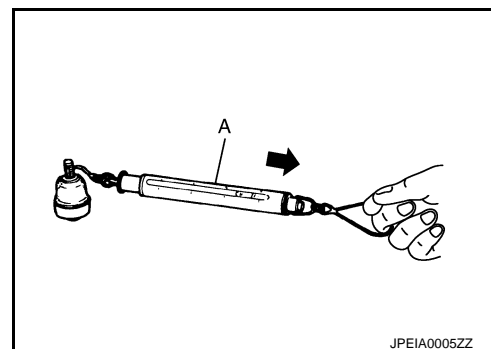
Swing Torque Inspection

- Hook spring balance (A) at cotter pin mounting hole. Confirm spring balance measurement value is within specifications when ball stud begins moving.

Standard

Swing torque : Refer to [RSU-25, "Ball Joint"](#).

- If it is outside the specified range, replace suspension arm assembly.



Rotating Torque Inspection

SUSPENSION ARM

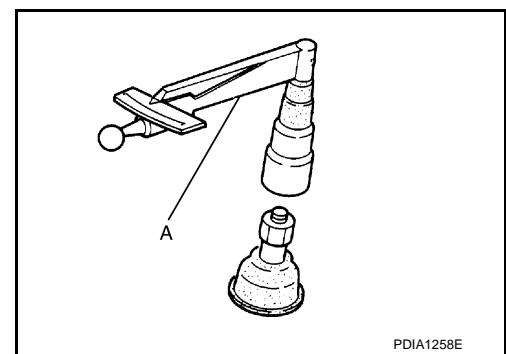
< REMOVAL AND INSTALLATION >

- Attach the mounting nut to ball stud. Make sure that rotating torque is within the specifications with a preload gauge (A) [SST:ST3127S000 (J-25765-A)].

Standard

Rotating torque : Refer to [RSU-25, "Ball Joint"](#).

- If it is outside the specified range, replace suspension arm assembly.



Axial End Play Inspection

- Move tip of ball stud in axial direction to check for looseness.

Standard

Axial end play : Refer to [RSU-25, "Ball Joint"](#).

- If it is outside the specified range, replace suspension arm assembly.

INSPECTION AFTER INSTALLATION

Check wheel alignment. Refer to [RSU-6, "Inspection"](#).

A
B
C
D

RSU

F
G
H
I
J
K
L
M
N
O
P

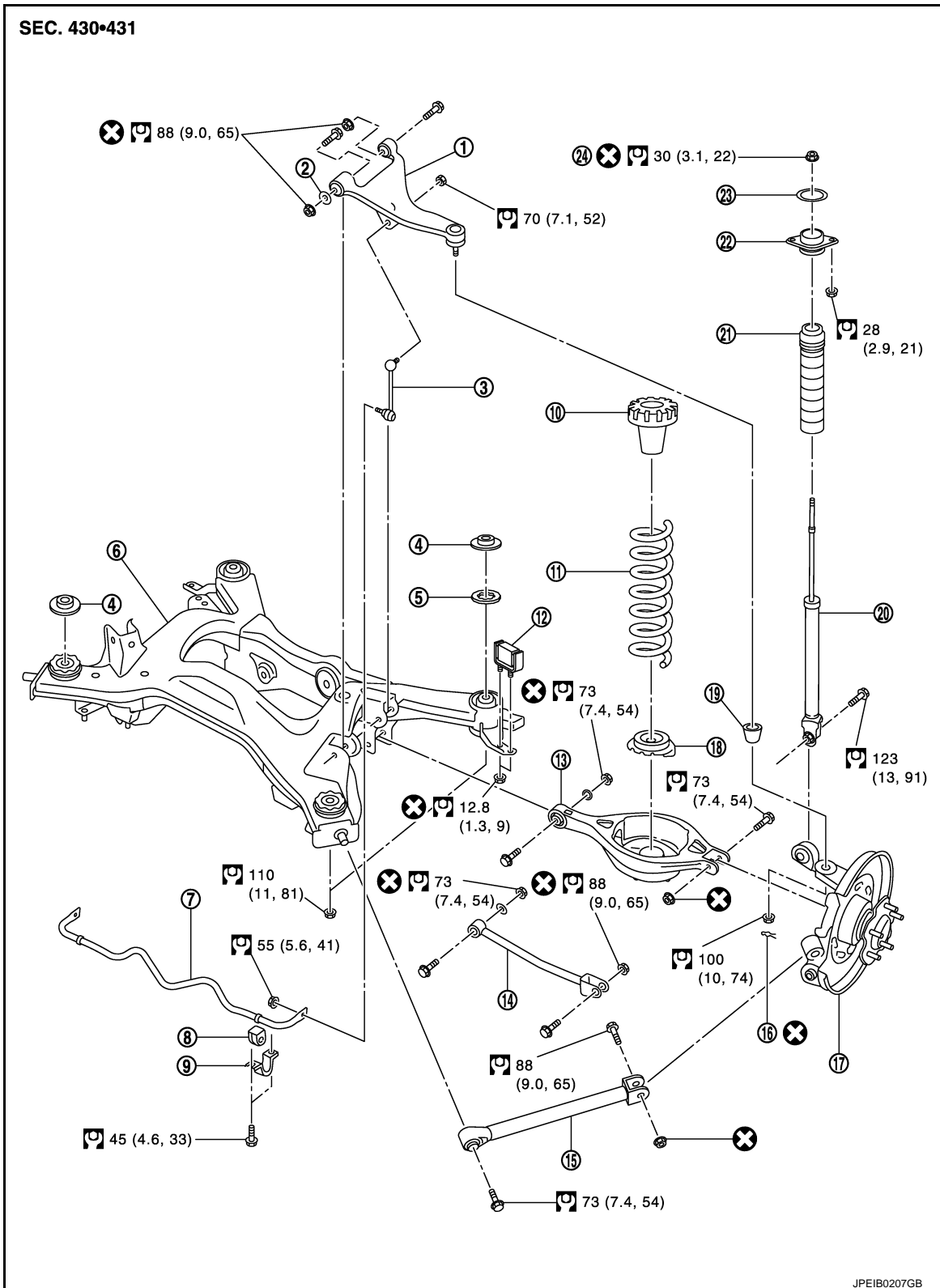
RADIUS ROD

< REMOVAL AND INSTALLATION >

RADIUS ROD

Exploded View

INFOID:000000008295069



JPEIB0207GB

- | | | |
|------------------------------|-----------------------|------------------------------|
| 1. Suspension arm | 2. Stopper rubber | 3. Stabilizer connecting rod |
| 4. Upper stopper (AWD model) | 5. Mount stopper | 6. Suspension member |
| 7. Stabilizer bar | 8. Stabilizer bushing | 9. Stabilizer clamp |

RADIUS ROD

< REMOVAL AND INSTALLATION >

- | | | |
|-------------------------------------|----------------------|---------------------------------|
| 10. Upper seat | 11. Coil spring | 12. Damper assembly (AWD model) |
| 13. Rear lower link | 14. Front lower link | 15. Radius rod |
| 16. Cotter pin | 17. Axle assembly | 18. Rubber seat |
| 19. Ball seat | 20. Shock absorber | 21. Bound bumper cover |
| 22. Shock absorber mounting bracket | 23. Mounting seal | 24. Piston rod lock nut |

Refer to [GI-4. "Components"](#) for symbols in the figure.

Removal and Installation

INFOID:000000008295070

REMOVAL

1. Remove tire with power tool.
2. Set suitable jack under axle assembly.
3. Remove radius rod mounting bolts and nuts (axle housing side).
4. Remove radius rod mounting bolt (rear suspension member side), and then remove radius rod.

INSTALLATION

Note the following, and install in the reverse order of removal.

- Perform final tightening of rear suspension member and axle installation position (rubber bushing), under unladen conditions with tires on level ground.

Inspection

INFOID:000000008295071

INSPECTION AFTER REMOVAL

Check radius rod and bushing for any deformation, cracks, or damage. Replace if necessary.

INSPECTION AFTER INSTALLATION

Check wheel alignment. Refer to [RSU-6. "Inspection"](#).

A
B
C
D
F
G
H
I
J
K
L
M
N
O
P

RSU

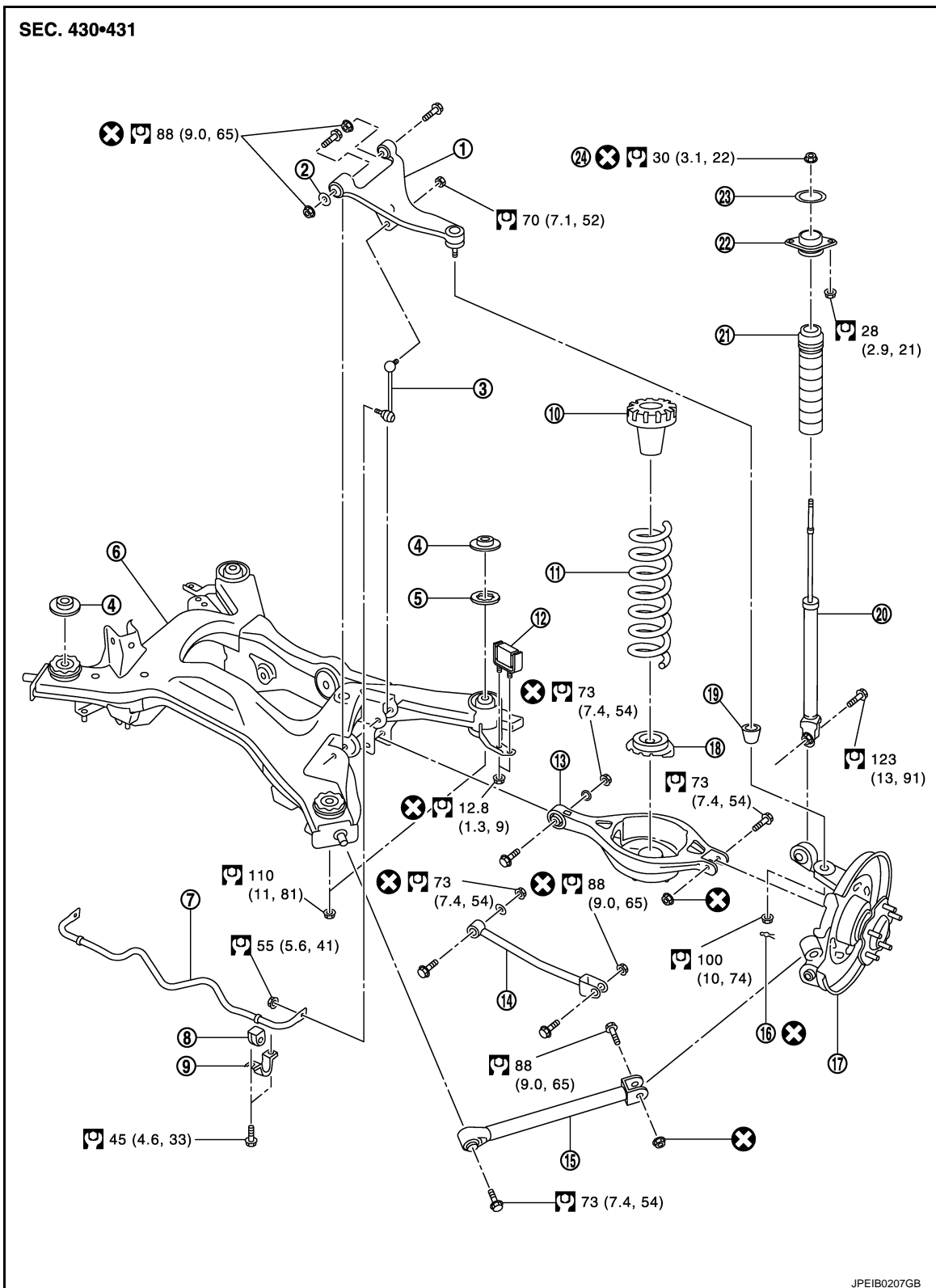
FRONT LOWER LINK

< REMOVAL AND INSTALLATION >

FRONT LOWER LINK

Exploded View

INFOID:000000008295072



- | | | |
|------------------------------|-----------------------|------------------------------|
| 1. Suspension arm | 2. Stopper rubber | 3. Stabilizer connecting rod |
| 4. Upper stopper (AWD model) | 5. Mount stopper | 6. Suspension member |
| 7. Stabilizer bar | 8. Stabilizer bushing | 9. Stabilizer clamp |

FRONT LOWER LINK

< REMOVAL AND INSTALLATION >

- | | | |
|-------------------------------------|----------------------|---------------------------------|
| 10. Upper seat | 11. Coil spring | 12. Damper assembly (AWD model) |
| 13. Rear lower link | 14. Front lower link | 15. Radius rod |
| 16. Cotter pin | 17. Axle assembly | 18. Rubber seat |
| 19. Ball seat | 20. Shock absorber | 21. Bound bumper cover |
| 22. Shock absorber mounting bracket | 23. Mounting seal | 24. Piston rod lock nut |

Refer to [GI-4. "Components"](#) for symbols in the figure.

Removal and Installation

INFOID:000000008295073

REMOVAL

1. Remove tire with power tool.
2. Set suitable jack under axle assembly to relieve the coil spring tension.
3. Remove front lower link mounting bolts and nuts (rear suspension member side).
4. Remove front lower link mounting bolts and nuts (axle housing side).
5. Remove front lower link.

INSTALLATION

Note the following, and install in the reverse order of removal.

- Perform final tightening of rear suspension member and axle installation position (rubber bushing), under unladen conditions with tires on level ground.

Inspection

INFOID:000000008295074

INSPECTION AFTER REMOVAL

Check front lower link and bushing for any deformation, cracks, or damage. Replace if necessary.

INSPECTION AFTER INSTALLATION

Check wheel alignment. Refer to [RSU-6. "Inspection"](#).

A
B
C
D
F
G
H
I
J
K
L
M
N
O
P

RSU

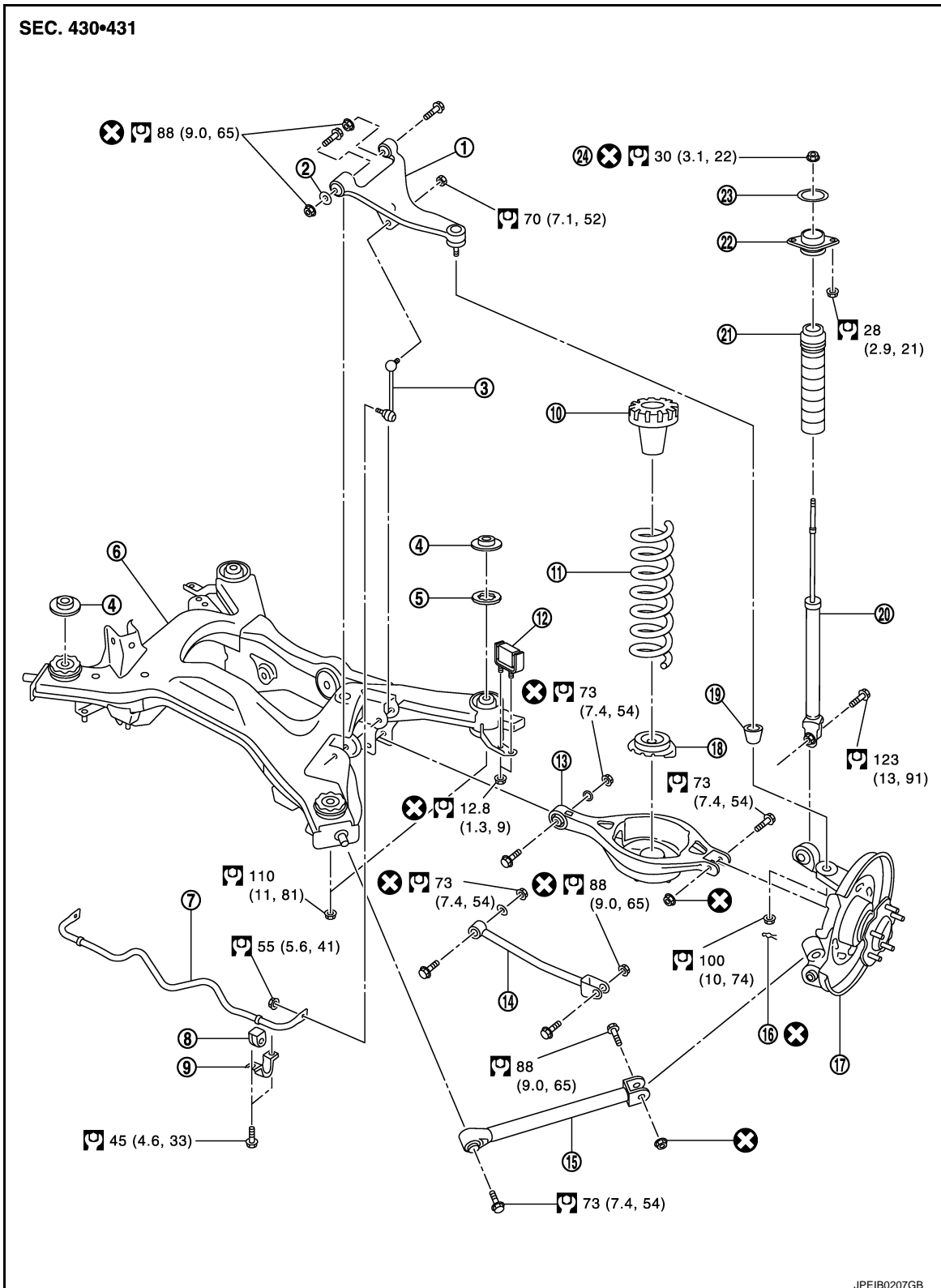
REAR STABILIZER

< REMOVAL AND INSTALLATION >

REAR STABILIZER

Exploded View

INFOID:000000008295075



- | | | |
|------------------------------|-----------------------|------------------------------|
| 1. Suspension arm | 2. Stopper rubber | 3. Stabilizer connecting rod |
| 4. Upper stopper (AWD model) | 5. Mount stopper | 6. Suspension member |
| 7. Stabilizer bar | 8. Stabilizer bushing | 9. Stabilizer clamp |

REAR STABILIZER

< REMOVAL AND INSTALLATION >

- | | | |
|-------------------------------------|----------------------|---------------------------------|
| 10. Upper seat | 11. Coil spring | 12. Damper assembly (AWD model) |
| 13. Rear lower link | 14. Front lower link | 15. Radius rod |
| 16. Cotter pin | 17. Axle assembly | 18. Rubber seat |
| 19. Ball seat | 20. Shock absorber | 21. Bound bumper cover |
| 22. Shock absorber mounting bracket | 23. Mounting seal | 24. Piston rod lock nut |

Refer to [GI-4, "Components"](#) for symbols in the figure.

Removal and Installation

INFOID:000000008295076

REMOVAL

1. Remove mounting bracket of center muffler and remove mounting rubber of main muffler. Refer to [EX-5, "Exploded View"](#).
2. Remove stabilizer connecting rod mounting nuts (lower side), and remove stabilizer connecting rod from stabilizer bar.
3. Remove mounting nuts on stabilizer clamp and remove stabilizer bar.

INSTALLATION

Note the following, and install in the reverse order of removal.

- Tighten the mounting nut to the specified torque while holding a hexagonal part of stabilizer connecting rod side.

Inspection

INFOID:000000008295077

INSPECTION AFTER REMOVAL

Check stabilizer bar, stabilizer connecting rod, stabilizer bushing and stabilizer clamp for deformation, cracks or damage. Replace it if a malfunction is detected.

A
B
C
D
RSU
F
G
H
I
J
K
L
M
N
O
P

REAR SUSPENSION MEMBER

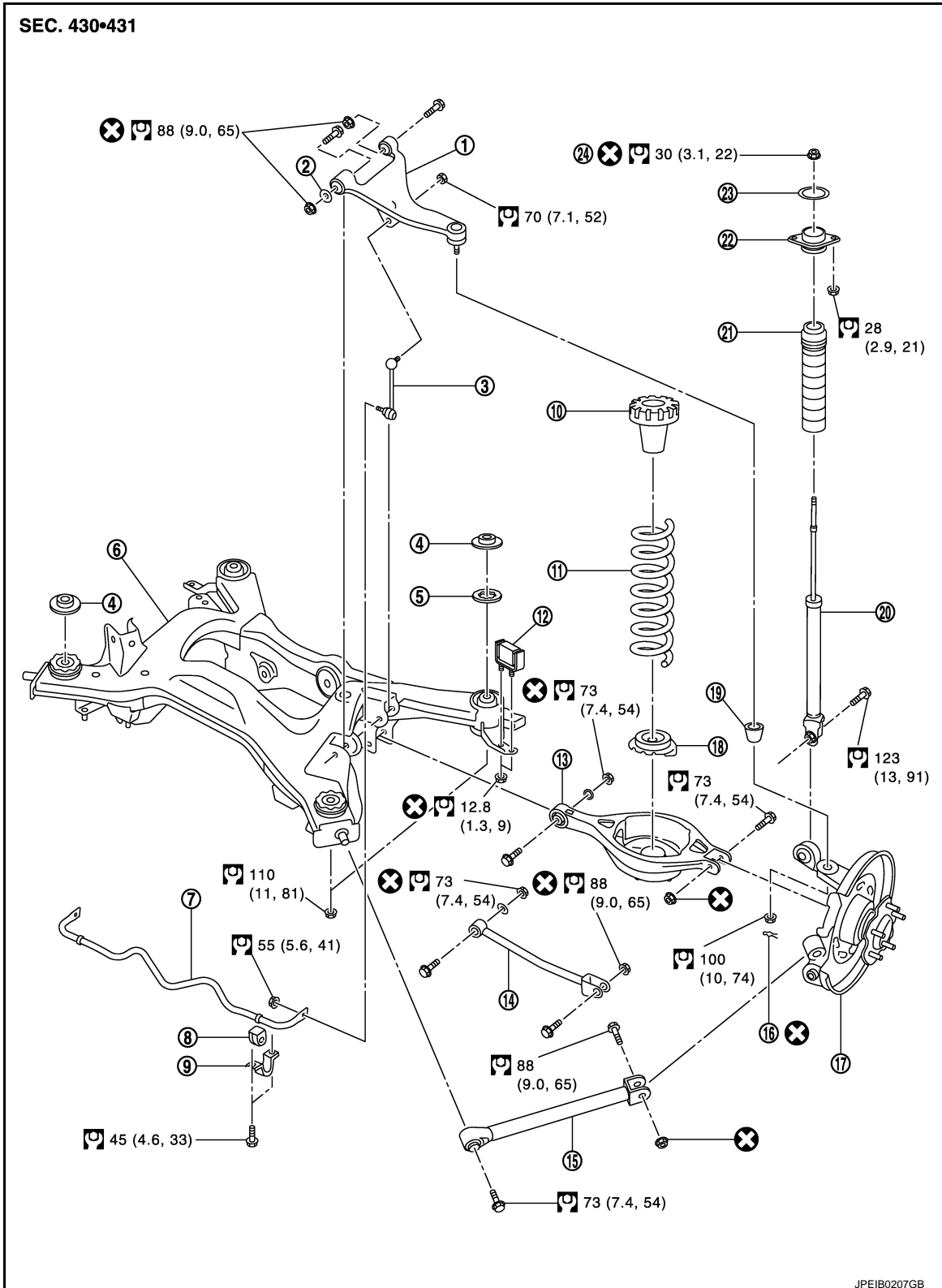
< UNIT REMOVAL AND INSTALLATION >

UNIT REMOVAL AND INSTALLATION

REAR SUSPENSION MEMBER

Exploded View

INFOID:000000008295078



JPEIB0207GB

REAR SUSPENSION MEMBER

< UNIT REMOVAL AND INSTALLATION >

- | | | | |
|-------------------------------------|-----------------------|---------------------------------|---|
| 1. Suspension arm | 2. Stopper rubber | 3. Stabilizer connecting rod | A |
| 4. Upper stopper (AWD model) | 5. Mount stopper | 6. Suspension member | |
| 7. Stabilizer bar | 8. Stabilizer bushing | 9. Stabilizer clamp | B |
| 10. Upper seat | 11. Coil spring | 12. Damper assembly (AWD model) | B |
| 13. Rear lower link | 14. Front lower link | 15. Radius rod | |
| 16. Cotter pin | 17. Axle assembly | 18. Rubber seat | C |
| 19. Ball seat | 20. Shock absorber | 21. Bound bumper cover | C |
| 22. Shock absorber mounting bracket | 23. Mounting seal | 24. Piston rod lock nut | D |

Refer to [GI-4, "Components"](#) for symbols in the figure.

Removal and Installation

INFOID:000000008295079

REMOVAL

1. Remove tires from vehicle with power tool.
2. Remove caliper assembly. Hang caliper assembly in a place where it will not interfere with work. Refer to [BR-57, "BRAKE CALIPER ASSEMBLY \(1 PISTON TYPE\) : Exploded View"](#) (1 piston type), [BR-61, "BRAKE CALIPER ASSEMBLY \(2 PISTON TYPE\) : Exploded View"](#) (2 piston type).
CAUTION:
Avoid depressing brake pedal while brake caliper is removed.
3. Remove disc rotor. Refer to [BR-58, "BRAKE CALIPER ASSEMBLY \(1 PISTON TYPE\) : Removal and Installation"](#) (1 piston type), [BR-62, "BRAKE CALIPER ASSEMBLY \(2 PISTON TYPE\) : Removal and Installation"](#) (2 piston type).
4. Remove wheel sensor and sensor harness from axle assembly and suspension arm. Refer to [BRC-111, "REAR WHEEL SENSOR : Exploded View"](#).
5. Remove center muffler and main muffler. Refer to [EX-5, "Exploded View"](#).
6. Remove stabilizer bar. Refer to [RSU-20, "Exploded View"](#).
7. Remove drive shaft. Refer to [RAX-10, "Exploded View"](#).
8. Remove propeller shaft. Refer to [DLN-87, "Exploded View"](#) (3S80A), [DLN-95, "Exploded View"](#) (3S80A-R), [DLN-104, "Exploded View"](#) (3S80A-1VL107).
9. Remove harness from rear final drive and suspension member.
10. Remove final drive. Refer to [DLN-274, "M/T : Exploded View"](#) [R200V (M/T)], [DLN-276, "A/T : Exploded View"](#) [R200V (A/T)], [DLN-183, "2WD \(VQ37VHR\) : Exploded View"](#) [R200 (2WD)], [DLN-184, "AWD : Exploded View"](#) [R200 (AWD)].
11. Remove parking brake cable mounting bolt and separate parking brake cable from vehicle and suspension member. Refer to [PB-6, "PEDAL TYPE : Exploded View"](#) (pedal type), [PB-7, "LEVER TYPE : Exploded View"](#) (lever type).
12. Remove mounting bolts in lower side of shock absorber.
13. Remove rear lower link and coil spring. Refer to [RSU-8, "Exploded View"](#).
14. Set suitable jack under suspension member.
15. Remove mounting nuts suspension member.
16. Slowly lower jack, then remove suspension member, suspension arm, radius rod, front lower link and axle from vehicle as a unit.
17. Remove upper stopper and damper assembly from suspension member. (AWD models)
18. Remove mounting bolts and nuts, then remove mount stopper, suspension arm, front lower link, and radius rod from suspension member.

INSTALLATION

Note the following, and install in the reverse order of the removal.

- Perform the final tightening of each of parts under unladen conditions, which were removed when removing rear suspension assembly.
- Check wheel sensor harness for proper connection. Refer to [BRC-111, "REAR WHEEL SENSOR : Exploded View"](#).

CAUTION:

Never reuse cotter pin.

REAR SUSPENSION MEMBER

< UNIT REMOVAL AND INSTALLATION >

Inspection

INFOID:000000008295080

INSPECTION AFTER REMOVAL

Check front suspension member for deformation, cracks, or any other damage. Replace if necessary.

INSPECTION AFTER INSTALLATION

- Adjust parking brake operation (stroke). [PB-3, "PEDAL TYPE : Inspection and Adjustment"](#) (pedal type), [PB-4, "LEVER TYPE : Inspection and Adjustment"](#) (lever type).
- Check wheel alignment. Refer to [RSU-6, "Inspection"](#).

SERVICE DATA AND SPECIFICATIONS (SDS)

< SERVICE DATA AND SPECIFICATIONS (SDS)

SERVICE DATA AND SPECIFICATIONS (SDS)

SERVICE DATA AND SPECIFICATIONS (SDS)

Wheel Alignment

INFOID:0000000008295081

Item		Standard			
		2WD		AWD	
Applied model		Except for sports models	For sports models		
Camber Degree minute (Decimal degree)	Minimum	-1° 20' (-1.33°)	-1° 25' (-1.42°)		
	Nominal	-0° 50' (-0.83°)	-0° 55' (-0.92°)		
	Maximum	-0° 20' (-0.33°)	-0° 25' (-0.42°)		
Toe-in	Total toe-in Distance	Minimum	0 mm (0 in)		
		Nominal	In 2.8 mm (0.110 in)		
		Maximum	In 5.6 mm (0.220 in)		
	Total toe-angle Degree minute (Decimal degree)	Minimum	In 0° 00' 00" (In 0.00°)		
		Nominal	In 0° 14' 24" (In 0.24°)		
		Maximum	In 0° 28' 12" (In 0.47°)		

Measure value under unladen* conditions.

*: Fuel, engine coolant and lubricant are full. Spare tire, jack, hand tools and mats are in designated positions.

Ball Joint

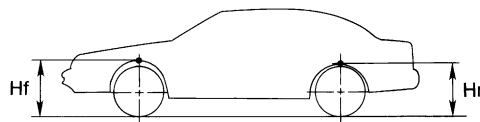
INFOID:0000000008295082

Item	Standard
Swing torque	0.5 – 3.4 N·m (0.06 – 0.34 kg-m, 5 – 30 in-lb)
Measurement on spring balance (cotter pinhole position)	8.1 – 54.8 N (0.83 – 5.6 kg, 1.82 – 12.32 lb)
Rotating torque	0.5 – 3.4 N·m (0.06 – 0.34 kg-m, 5 – 30 in-lb)
Axial end play	0 mm (0 in)

Wheelarch Height

INFOID:0000000008295083

Item	Standard				
	2WD		AWD		
Applied model	Except for sports models		For sports models		
Wheel size	17 inch	18 inch		17 inch	18 inch
Front (Hf)	714 mm (28.11 in)	716 mm (28.19 in)	715 mm (28.15 in)	725 mm (28.54 in)	730 mm (28.74 in)
Rear (Hr)	707 mm (27.83 in)	709 mm (27.91 in)	705 mm (27.76 in)	720 mm (28.35 in)	724 mm (28.50 in)



SFA818A

Measure value under unladen* conditions.

SERVICE DATA AND SPECIFICATIONS (SDS)

< SERVICE DATA AND SPECIFICATIONS (SDS)

*: Fuel, engine coolant and lubricant are full. Spare tire, jack, hand tools and mats are in designated positions.