

SECTION **PG**

POWER SUPPLY, GROUND & CIRCUIT ELEMENTS

CONTENTS

POWER SUPPLY & GROUND CIRCUIT		
BASIC INSPECTION	3	
BATTERY	3	
How to Handle Battery	3	
Work Flow	3	
DTC/CIRCUIT DIAGNOSIS	6	
POWER SUPPLY ROUTING CIRCUIT	6	
Wiring Diagram - BATTERY POWER SUPPLY -	6	
Wiring Diagram - BATTERY POWER SUPPLY		
FUSE No. 6 -	24	
Wiring Diagram - BATTERY POWER SUPPLY		
FUSE No. 11 -	25	
Wiring Diagram - BATTERY POWER SUPPLY		
FUSE No. 34 -	26	
Wiring Diagram - BATTERY POWER SUPPLY		
FUSE No. 49 -	27	
Wiring Diagram - BATTERY POWER SUPPLY		
FUSE No. 52 -	28	
Wiring Diagram - ACCESSORY POWER SUPPLY -	30	
Wiring Diagram - ACCESSORY POWER SUPPLY FUSE No. 19 -	34	
Wiring Diagram - IGNITION POWER SUPPLY -	35	
Wiring Diagram - IGNITION POWER SUPPLY		
FUSE No. 3 -	51	
Wiring Diagram - IGNITION POWER SUPPLY		
FUSE No. 44 -	52	
Wiring Diagram - IGNITION POWER SUPPLY		
FUSE No. 45 -	53	
Fuse	54	
Fusible Link	57	
Circuit Breaker	57	
GROUND DISTRIBUTION	58	
Engine Room Harness	58	
Main Harness	59	
Body Harness	63	
HARNES LAYOUT	65	
How To Read Harness Layout	65	
Outline	66	
Engine Room Harness	67	
Engine Control Harness	68	
Main Harness	71	
Body Harness	71	
Door Harness	74	
Room Lamp Harness	78	
HARNES CONNECTOR	79	
Description	79	
STANDARDIZED RELAY	82	
Description	82	
FUSE BLOCK - JUNCTION BOX (J/B)	84	
Fuse, Connector and Terminal Arrangement	84	
FUSE, FUSIBLE LINK AND RELAY BOX	85	
Fuse and Fusible Link Arrangement	85	
IPDM E/R (INTELLIGENT POWER DISTRIBUTION MODULE ENGINE ROOM)	86	
Fuse, Connector and Terminal Arrangement	86	
PRECAUTION	87	
PRECAUTIONS	87	
Precaution for Supplemental Restraint System (SRS) "AIR BAG" and "SEAT BELT PRE-TENSIONER"	87	
Precaution for Procedure without Cowl Top Cover... ..	87	
Precautions for Removing Battery Terminal	88	
PREPARATION	89	
PREPARATION	89	
Special Service Tools	89	
REMOVAL AND INSTALLATION	90	
BATTERY	90	

A
B
C
D
E
F
G
H
I
J
K
L
PG
N
O
P

Exploded View	90
Removal and Installation	90
BATTERY TERMINAL WITH FUSIBLE LINK...	92
Exploded View	92
Removal and Installation	92

SERVICE DATA AND SPECIFICATIONS	
(SDS)	93

SERVICE DATA AND SPECIFICATIONS	
(SDS)	93
Battery	93

BASIC INSPECTION

BATTERY

How to Handle Battery

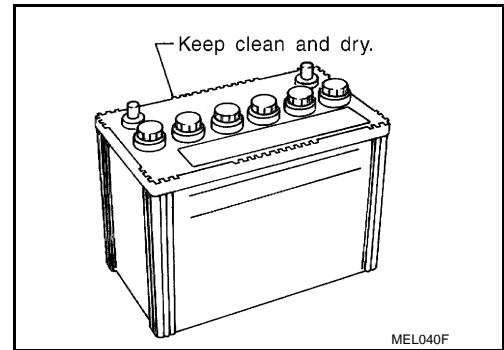
INFOID:000000010990112

CAUTION:

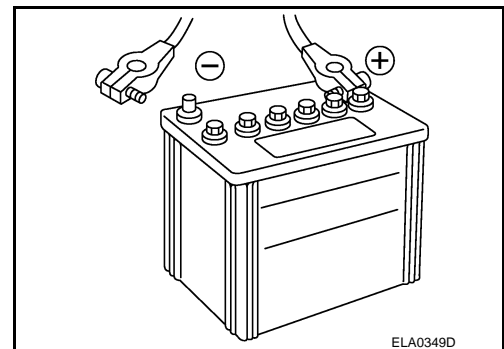
- If it becomes necessary to start the engine with a booster battery and jumper cables, use a 12-volt booster battery.
- After connecting battery cables, ensure that they are tightly clamped to battery terminals for good contact.
- Never add distilled water through the hole used to check specific gravity.

METHODS OF PREVENTING OVER-DISCHARGE

- The following precautions must be taken to prevent over-discharging a battery.
- The battery surface (particularly its top) should always be kept clean and dry.
 - The terminal connections should be clean and tight.
 - At every routine maintenance, check the electrolyte level.
This also applies to batteries designated as "low maintenance" and "maintenance-free".



- When the vehicle is not going to be used over a long period of time, disconnect the battery cable from the negative terminal. (If the vehicle has an extended storage switch, turn it off.)



Work Flow

INFOID:000000010990113

BATTERY DIAGNOSIS WITH EXP-800 NI OR GR8-1200 NI

To diagnose and confirm the condition of the battery, use the following special service tools:

- EXP-800 NI Battery and electrical diagnostic analyzer
- GR8-1200 NI Multitasking battery and electrical diagnostic station

NOTE:

Refer to the applicable instruction manual for proper battery diagnosis procedures.

BATTERY DIAGNOSIS WITHOUT EXP-800 NI OR GR8-1200 NI

Check Electrolyte Level

WARNING:

Never allow battery fluid to come in contact with skin, eyes, fabrics, or painted surfaces. After touching a battery, never touch or rub your eyes until you have thoroughly washed your hands. If acid contacts eyes, skin or clothing, immediately flush with water for 15 minutes and seek medical attention. Failure to do this may cause personal injury or damage to clothing or the painted surfaces.

A
B
C
D
E
F
G
H
I
J
K
L

PG

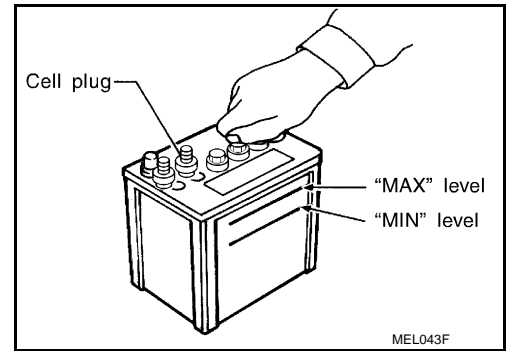
N
O
P

BATTERY

[POWER SUPPLY & GROUND CIRCUIT]

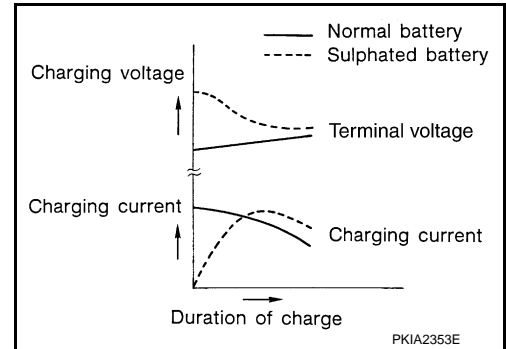
< BASIC INSPECTION >

- Remove the cell plug using a suitable tool.
- Add distilled water up to the MAX level.



SULPHATION

- A battery will be completely discharged if it is left unattended for a long time and the specific gravity will become less than 1.100. This may result in sulphation on the cell plates.
- To determine if a battery has been “sulphated”, note its voltage and current when charging it. As shown in the figure, less current and higher voltage are observed in the initial stage of charging sulphated batteries.
- A sulphated battery may sometimes be brought back into service by means of a long, slow charge, 12 hours or more, followed by a battery capacity test.



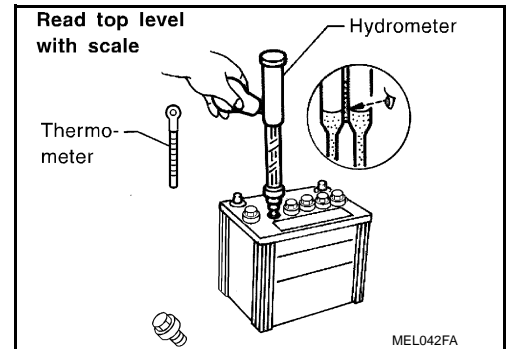
Specific Gravity Check

NOTE:

Check the charge condition of the battery.

Periodically check the specific gravity of the electrolyte. Keep a close check on charge condition to prevent over-discharge.

1. Read hydrometer and thermometer indications at eye level.
2. Use the chart below to correct your hydrometer reading according to electrolyte temperature.



Hydrometer Temperature Correction

Battery electrolyte temperature [°C (°F)]	Add to specific gravity reading
71 (160)	0.032
66 (150)	0.028
60 (140)	0.024
54 (130)	0.020
49 (120)	0.016
43 (110)	0.012
38 (100)	0.008
32 (90)	0.004
27 (80)	0
21 (70)	-0.004
16 (60)	-0.008
10 (50)	-0.012

BATTERY

< BASIC INSPECTION >

[POWER SUPPLY & GROUND CIRCUIT]

Battery electrolyte temperature [°C (°F)]	Add to specific gravity reading
4 (40)	-0.016
-1 (30)	-0.020
-7 (20)	-0.024
-12 (10)	-0.028
-18 (0)	-0.032

Corrected specific gravity	Approximate charge condition
1.260 - 1.280	Fully charged
1.230 - 1.250	3/4 charged
1.200 - 1.220	1/2 charged
1.170 - 1.190	1/4 charged
1.140 - 1.160	Almost discharged
1.110 - 1.130	Completely discharged

Charging The Battery

CAUTION:

- **Never “quick charge” a fully discharged battery.**
- **Keep the battery away from open flame while it is being charged.**
- **When connecting the charger, connect the leads first, then turn on the charger. Never turn on the charger first, as this may cause a spark.**
- **If battery electrolyte temperature rises above 55 °C (131 °F), stop charging. Always charge battery at a temperature below 55 °C (131 °F).**

Charging Rates (Standard Charge)

Approximate charge condition	Charge current (A)	Charge time (h)
Fully charged	5	2
3/4 charged		2.5
1/2 charged		5
1/4 charged		7.5
Almost discharged		9
Completely discharged		10

Charging Rates (Quick Charge)

Approximate charge condition	Charge current (A)	Charge time (h)
Fully charged	—	—
3/4 charged	13	0.5
1/2 charged	26	
1/4 charged		
Almost discharged	—	—
Completely discharged	—	

NOTE:

The ammeter reading on your battery charger will automatically decrease as the battery charges. This indicates that the voltage of the battery is increasing normally as the state of charge improves. The charging amps indicated above refer to initial charge rate.

- If, after charging, the specific gravity of any two cells varies more than 0.050, the battery should be replaced.

A
B
C
D
E
F
G
H
I
J
K
L
N
O
P

PG

POWER SUPPLY ROUTING CIRCUIT

< DTC/CIRCUIT DIAGNOSIS >

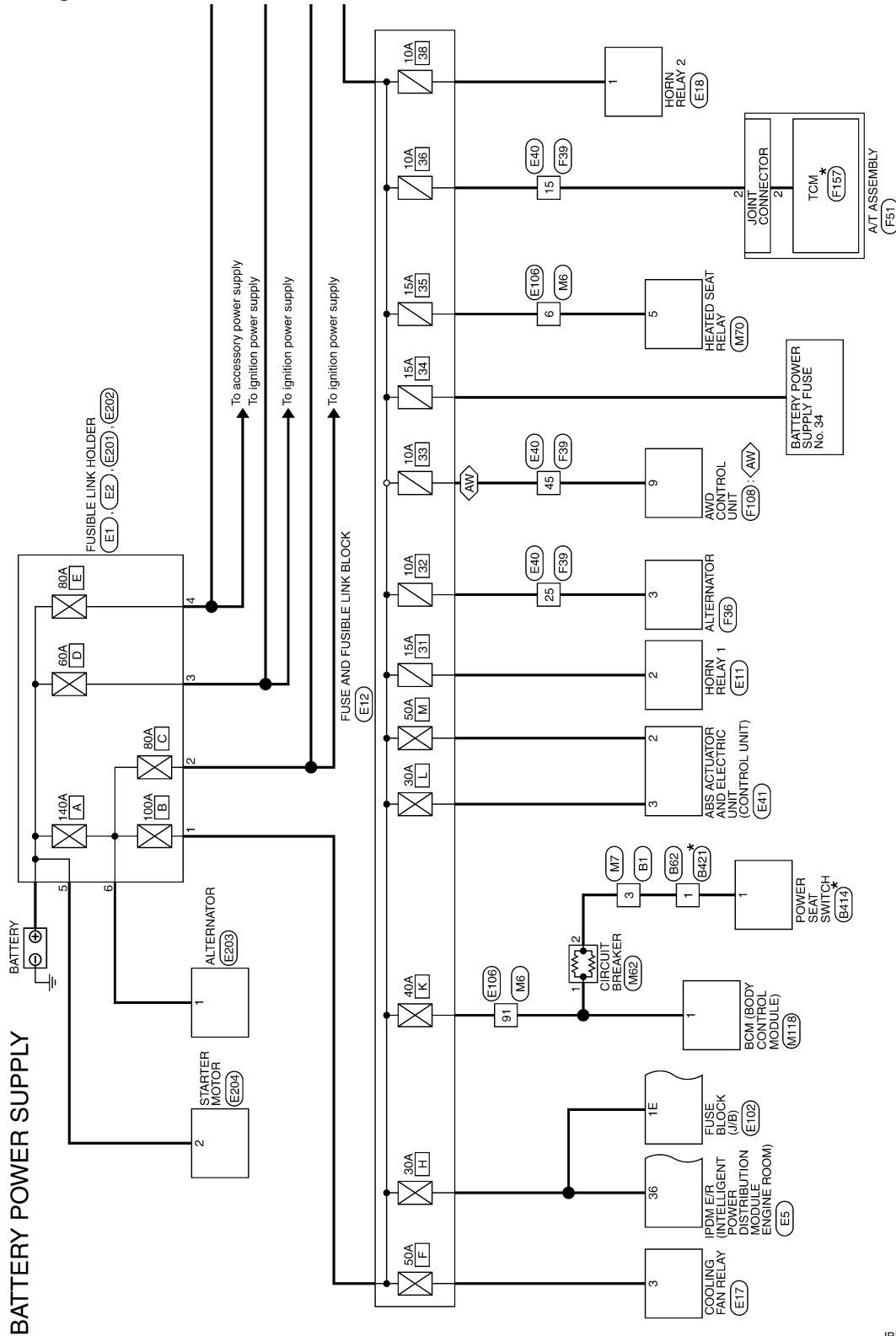
[POWER SUPPLY & GROUND CIRCUIT]

DTC/CIRCUIT DIAGNOSIS

POWER SUPPLY ROUTING CIRCUIT

Wiring Diagram - BATTERY POWER SUPPLY -

INFOID:000000010990114



*: This connector is not shown in "Harness Layout".

2014/06/09

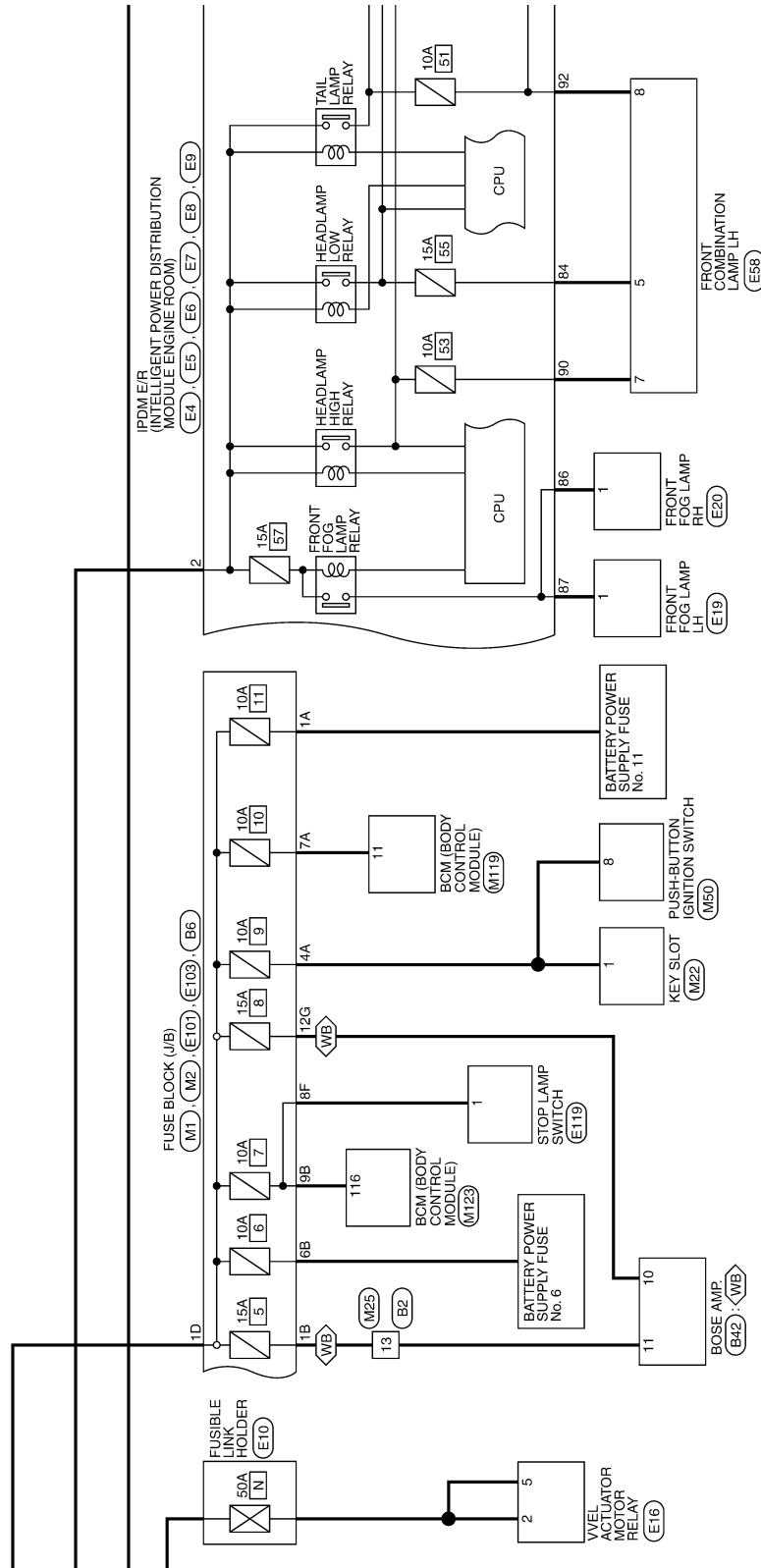
JRMWF9370GB

POWER SUPPLY ROUTING CIRCUIT

< DTC/CIRCUIT DIAGNOSIS >

[POWER SUPPLY & GROUND CIRCUIT]

◀WB▶ : With BOSE system



JRMWF9371GB

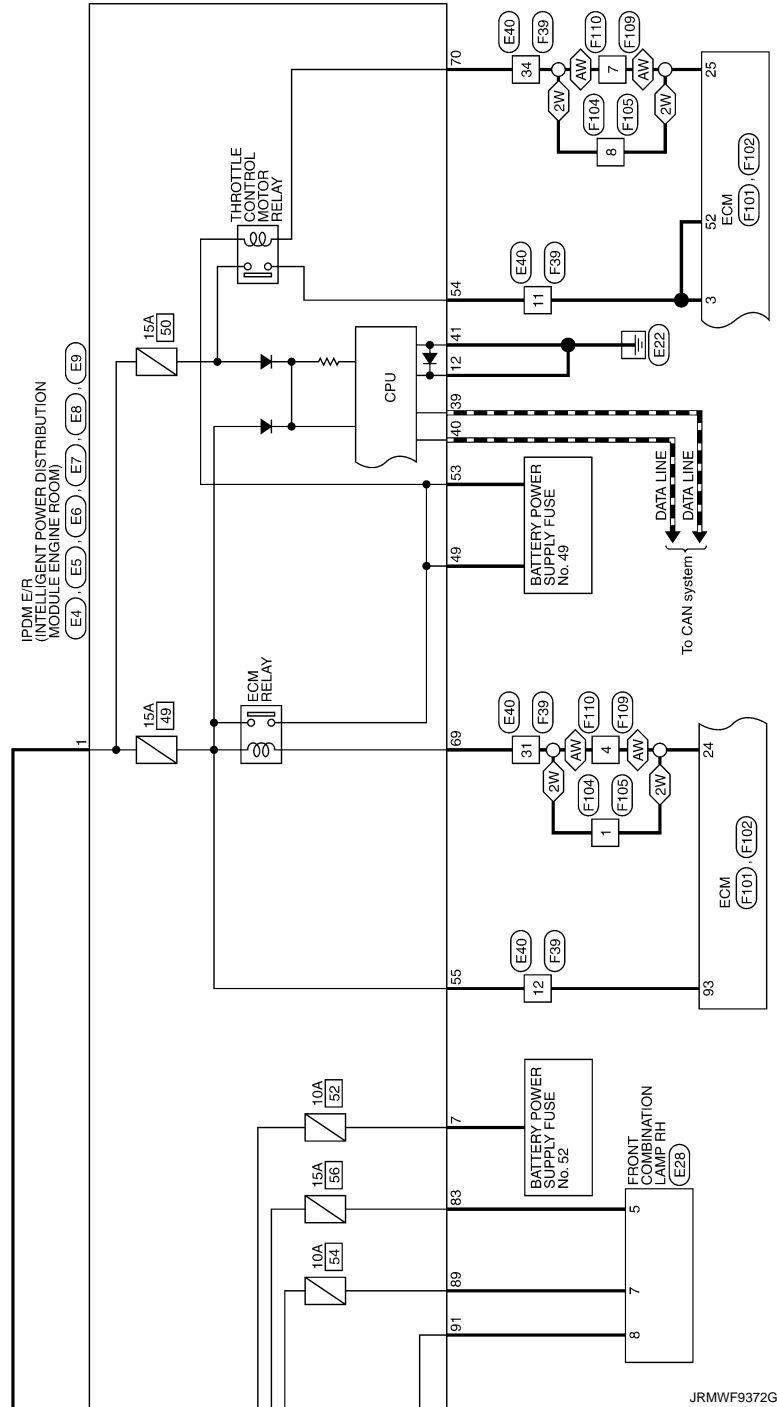
A
B
C
D
E
F
G
H
I
J
K
L
PG
N
O
P

POWER SUPPLY ROUTING CIRCUIT

< DTC/CIRCUIT DIAGNOSIS >

[POWER SUPPLY & GROUND CIRCUIT]

2W : 2WD models
AW : AWD models



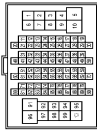
POWER SUPPLY ROUTING CIRCUIT

< DTC/CIRCUIT DIAGNOSIS >

[POWER SUPPLY & GROUND CIRCUIT]

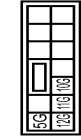
BATTERY POWER SUPPLY

Connector No.	B1
Connector Name	WIRE TO WIRE
Connector Type	TR80PW-CS16-TM4



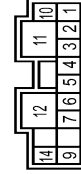
Terminal No.	Color Of Wire	Signal Name [Specification]
1	GR	-
2	BG	-
3	V	-
4	Y	-
5	R	-
6	W	-
7	B	-
8	LG	-
9	LG	-
10	V	-
11	SB	-
12	G	-
13	W	-
14	R	-
15	V	-
16	SB	-
17	SHIELD	-
18	SHIELD	-
19	SHIELD	-
20	SHIELD	-
21	SHIELD	-
22	SHIELD	-
23	SHIELD	-
24	SHIELD	-
25	SHIELD	-
26	SHIELD	-
27	SHIELD	-
28	SHIELD	-
29	SHIELD	-
30	SHIELD	-
31	SHIELD	-
32	SHIELD	-
33	SHIELD	-
34	SHIELD	-
35	SHIELD	-
36	SHIELD	-
37	SHIELD	-
38	SHIELD	-
39	SHIELD	-
40	SHIELD	-
41	SHIELD	-
42	SHIELD	-
43	SHIELD	-
44	SHIELD	-
45	SHIELD	-
46	SHIELD	-
47	SHIELD	-
48	SHIELD	-
49	SHIELD	-
50	SHIELD	-
51	SHIELD	-
52	SHIELD	-
53	SHIELD	-
54	SHIELD	-
55	SHIELD	-
56	SHIELD	-
57	SHIELD	-
58	SHIELD	-
59	SHIELD	-
60	SHIELD	-
61	SHIELD	-
62	SHIELD	-
63	SHIELD	-
64	SHIELD	-
65	SHIELD	-
66	SHIELD	-
67	SHIELD	-
68	SHIELD	-
69	SHIELD	-
70	SHIELD	-
71	SHIELD	-
72	SHIELD	-
73	SHIELD	-

Connector No.	B6
Connector Name	FUSE BLOCK (J/B)
Connector Type	NS1ZFBR-CS



Terminal No.	Color Of Wire	Signal Name [Specification]
1	W	-
2	W	-
3	Y	-
4	LG	-
5	LG	-
6	LG	-

Connector No.	B42
Connector Name	BOSE AMP.
Connector Type	SGA1ZFBR-SJA2



Terminal No.	Color Of Wire	Signal Name [Specification]
1	L	SOUND SIGNAL FRONT LH (+)
2	W	SOUND SIGNAL FRONT LH (-)
3	LG	SOUND SIGNAL FRONT RH (+)
4	V	SOUND SIGNAL FRONT RH (-)
5	G	SOUND SIGNAL DOOR WOOFER RH (+)
6	R	SOUND SIGNAL DOOR WOOFER RH (-)
7	B	GROUND
8	W	SOUND SIGNAL FRONT DOOR WOOFER LH (+)
9	Y	BATTERY
10	GR	GROUND
11	GR	GROUND
12	B	GROUND
13	B	GROUND
14	B	SOUND SIGNAL FRONT DOOR WOOFER LH (+)

Connector No.	B45
Connector Name	WOOFER
Connector Type	NS50FBR-CS



Terminal No.	Color Of Wire	Signal Name [Specification]
1	V	-
2	SB	-
3	SB	-
4	SB	-
5	B	-
6	P	-

Connector No.	B60
Connector Name	REAR COMBINATION LAMP LH
Connector Type	NS54FW-CS



Terminal No.	Color Of Wire	Signal Name [Specification]
1	V	-
2	LG	-
3	SB	-
4	B	-

A
B
C
D
E
F
G
H
I
J
K
L
N
O
P

PG

JRMWF9527GB

POWER SUPPLY ROUTING CIRCUIT

< DTC/CIRCUIT DIAGNOSIS >

[POWER SUPPLY & GROUND CIRCUIT]

BATTERY POWER SUPPLY

Connector No.	B62
Connector Name	WIRE TO WIRE
Connector Type	M8F6W-LC



Terminal No.	Color Of Wire	Signal Name [Specification]
1	R	-
2	B	-
14	BG	-
15	CR	-
16	R	-

Connector No.	B67
Connector Name	REAR COMBINATION LAMP RH
Connector Type	NS84FV-CS



Terminal No.	Color Of Wire	Signal Name [Specification]
1	R	-
2	LG	-
3	V	-
4	B	-

Connector No.	B62
Connector Name	LICENSE PLATE LAMP LH
Connector Type	RW02FBR



Terminal No.	Color Of Wire	Signal Name [Specification]
1	R	-
2	B	-

Connector No.	B63
Connector Name	LICENSE PLATE LAMP RH
Connector Type	RW02FBR



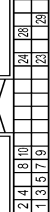
Terminal No.	Color Of Wire	Signal Name [Specification]
1	R	-
2	B	-

Connector No.	B236
Connector Name	SATELLITE RADIO TUNER
Connector Type	A18FW



Terminal No.	Color Of Wire	Signal Name [Specification]
1	G	SATELLITE RADIO SOUND SIGNAL LH (+)
2	G	SATELLITE RADIO SOUND SIGNAL LH (-)
3	W	SATELLITE RADIO SOUND SIGNAL RH (+)
4	B	SATELLITE RADIO SOUND SIGNAL RH (-)
5	SHIELD	SHIELD
6	SHIELD	SHIELD
8	G	REQUEST (SAT-CONT)
9	L	COMM (SAT-CONT)
10	P	COMM (CONT-SAT)
12	Y	BATTERY
16	BG	ACC

Connector No.	B237
Connector Name	TEL ADAPTER UNIT
Connector Type	TH82FW-NH



Terminal No.	Color Of Wire	Signal Name [Specification]
1	GR	BATTERY
2	GG	IGNITION
3	B	IGNITION
4	ES	GROUND
5	SHIELD	SHIELD
7	R	MICROPHONE SIGNAL
8	SHIELD	MICROPHONE GND
9	Y	TEL VOICE SIGNAL (+)
10	G	TEL VOICE SIGNAL (-)

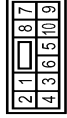
Terminal No.	23	B	CONTROL SIGNAL
Terminal No.	24	B	CONTROL SIGNAL
Terminal No.	25	W	VEHICLE SPEED (S-DULSE)
Terminal No.	26	G	MICROPHONE VCC

Connector No.	B233
Connector Name	EVAP CONISTER VENT CONTROL VALVE
Connector Type	ED2FB-FIS



Terminal No.	Color Of Wire	Signal Name [Specification]
1	W	-
2	L	-

Connector No.	BH14
Connector Name	POWER SEAT SWITCH
Connector Type	NS10FW-CS



Terminal No.	Color Of Wire	Signal Name [Specification]
1	W	-
2	V	-
3	G/W	-
4	R	-
5	L/R	-
6	G/Y	-
7	P	-
8	B	-
10	L/Y	-

POWER SUPPLY ROUTING CIRCUIT

< DTC/CIRCUIT DIAGNOSIS >

[POWER SUPPLY & GROUND CIRCUIT]

BATTERY POWER SUPPLY

Connector No.	BZ1
Connector Name	WIRE TO WIRE
Connector Type	MSBAMP-LC



1	16
2	15 14

Terminal No.	Color Of Wire	Signal Name [Specification]
1	R	-
2	G	-
3	Y	-
4	GR	-

Connector No.	D7
Connector Name	DOOR MIRROR REMOTE CONTROL SWITCH
Connector Type	TR4BRV



1	8	9	10	12	13	14	15	16
---	---	---	----	----	----	----	----	----

Terminal No.	Color Of Wire	Signal Name [Specification]
1	B	-
2	B	-
3	R	-
4	G	-
5	GR	-
6	GR	-
7	BG	-
8	BG	-

Connector No.	E1
Connector Name	FUSIBLE LINK HOLDER
Connector Type	LOGFBR-MC



1	2
---	---

Terminal No.	Color Of Wire	Signal Name [Specification]
1	G	-
2	W	-

Connector No.	E2
Connector Name	FUSIBLE LINK HOLDER
Connector Type	LOGFYO-MC



3	4
---	---

Terminal No.	Color Of Wire	Signal Name [Specification]
3	L	-
4	R	-

Connector No.	E4
Connector Name	INTELLIGENT POWER DISTRIBUTION MODULE ENGINE ROOM
Connector Type	LOGFB-MC



1	2
---	---

Terminal No.	Color Of Wire	Signal Name [Specification]
1	W	-
2	L	-

Connector No.	E5
Connector Name	INTELLIGENT POWER DISTRIBUTION MODULE ENGINE ROOM
Connector Type	TH20FW-CST12-M4-TV



1	2	3	4	5	6	7	8	9	10	11	12	13	14	15	16	17	18	19	20	21	22	23	24	25	26	27	28	29	30
---	---	---	---	---	---	---	---	---	----	----	----	----	----	----	----	----	----	----	----	----	----	----	----	----	----	----	----	----	----

Terminal No.	Color Of Wire	Signal Name [Specification]
4	V	-
5	L	-
6	SB	-
7	P	-
8	B/W	-
9	Y	-
10	LG	-
11	R	-
12	BG	-
13	G	-
14	L	-
15	GR	-
16	GR	-
17	G	-

Connector No.	E6
Connector Name	INTELLIGENT POWER DISTRIBUTION MODULE ENGINE ROOM
Connector Type	TH08FW-M4



42	41	40	39
46	45	44	43

Terminal No.	Color Of Wire	Signal Name [Specification]
39	P	-
40	B/W	-
41	Y	-
42	GR	-
43	G	-
44	V	-
45	L	-
46	SB	-

Connector No.	E7
Connector Name	INTELLIGENT POWER DISTRIBUTION MODULE ENGINE ROOM
Connector Type	TH20FW-CST12-M4



48	47	46	45	44	43	42	41	40	39	38	37	36	35	34	33	32	31	30	29	28	27	26	25	24	23	22	21	20	19	18	17	16	15	14	13	12	11	10	9	8	7	6	5	4	3	2	1
----	----	----	----	----	----	----	----	----	----	----	----	----	----	----	----	----	----	----	----	----	----	----	----	----	----	----	----	----	----	----	----	----	----	----	----	----	----	----	---	---	---	---	---	---	---	---	---

Terminal No.	Color Of Wire	Signal Name [Specification]
48	L	-
49	BG	-
50	W	-
51	Y	-
52	B	-
53	GR	-
54	GR	-
55	GR	-
56	GR	-
57	GR	-
58	GR	-
59	BR	-
60	BG	-
61	BG	-
62	G	-

JRMWF9529GB

A
B
C
D
E
F
G
H
I
J
K
L
PG
N
O
P

POWER SUPPLY ROUTING CIRCUIT

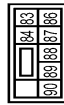
< DTC/CIRCUIT DIAGNOSIS >

[POWER SUPPLY & GROUND CIRCUIT]

BATTERY POWER SUPPLY

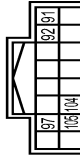
75	SB	-	-
76	R	-	-
77	R	-	-
80	W	-	-

Connector No.	EB
Connector Name	IPSM 6.0 INTELLIGENT POWER DISTRIBUTION MODULE ENGINE (E000)
Connector Type	NS08PW-CS



Terminal No.	Color Of Wire	Signal Name [Specification]
83	R	-
84	V	-
86	W	-
87	L	-
88	G	-
89	BR	-
90	P	-

Connector No.	EB
Connector Name	IPSM 6.0 INTELLIGENT POWER DISTRIBUTION MODULE ENGINE (E000)
Connector Type	TH16PW-NH



Terminal No.	Color Of Wire	Signal Name [Specification]
83	R	-
84	V	-
86	W	-
87	L	-
104	LG	-
105	L	-

Connector No.	E10
Connector Name	FUSIBLE LINK HOLDER
Connector Type	24380-JL00A



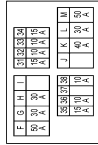
Terminal No.	Color Of Wire	Signal Name [Specification]
N	SB	-

Connector No.	E11
Connector Name	HORN RELAY 1
Connector Type	24381-7950A



Terminal No.	Color Of Wire	Signal Name [Specification]
1	LG	-
2	SB	-
3	G	-

Connector No.	E12
Connector Name	FUSE AND FUSIBLE LINK BLOCK
Connector Type	24381-1990A



Terminal No.	Color Of Wire	Signal Name [Specification]
31	SB	-
32	SB	-
33	GP	-
34	LG	-
35	Y	-
36	EG	-
38	P	-
F	BR	-
G	W	-
H	V	-
K	W	-
L	EG	-
M	GR	-

Connector No.	E15
Connector Name	WEL CONTROL MODULE
Connector Type	RH18EE-AU2S-RH



Terminal No.	Color Of Wire	Signal Name [Specification]
2	LB	MOTFL
3	G	MOTFL 1
4	W	VEL/S-R 1
5	R	ASND 1
6	B	VEL/S-L 1
7	SB	ASND 3

8	EG	V0
8	EG	AVCC 1
11	GR	COM-H
12	Y	MOTOR R 1
13	Y	V-MOT (R)
14	B/W	PGND L
15	L/Y	MOTOR L 2
16	R	VEL-S-R 2
17	L	AGND 2
18	G	VEL-S-L 2
19	W	AGND 4
20	BR	AVCC 4
21	V	ABDR1
22	P	AVCC 2
23	V	ABDR2
24	L	COM-L
25	BR	MOTOR R 2

Connector No.	E16
Connector Name	WEL ACTUATOR MOTOR RELAY
Connector Type	24347-9F300



Terminal No.	Color Of Wire	Signal Name [Specification]
1	Y	-
2	SB	-
3	W	-
5	SB	-

JRMWF9530GB

POWER SUPPLY ROUTING CIRCUIT

< DTC/CIRCUIT DIAGNOSIS >

[POWER SUPPLY & GROUND CIRCUIT]

BATTERY POWER SUPPLY

Connector No.	E17
Connector Name	COOLING FAN RELAY
Connector Type	24343-9F300



Terminal No.	Color Of Wire	Signal Name [Specification]
1	G	-
2	BR	-
3	R	-

Connector No.	E18
Connector Name	HORN RELAY 2
Connector Type	M03FM-R-LC



Terminal No.	Color Of Wire	Signal Name [Specification]
1	P	-
2	Y	-
3	V	-

Connector No.	E19
Connector Name	FRONT FOG LAMP LH
Connector Type	FH202FB



Terminal No.	Color Of Wire	Signal Name [Specification]
1	L	-
2	B/W	-

Connector No.	E20
Connector Name	FRONT FOG LAMP RH
Connector Type	FH202FB



Terminal No.	Color Of Wire	Signal Name [Specification]
1	W	-
2	B/W	-

Connector No.	E28
Connector Name	FRONT COMBINATION LAMP RH
Connector Type	F502FB-P



Terminal No.	Color Of Wire	Signal Name [Specification]
3	B	-
4	B/W	-
5	Y	-
6	V	-
7	BR	-
8	G	-

Connector No.	E40
Connector Name	WIRE TO WIRE
Connector Type	SAA38MB-FSS-SLZ8



Terminal No.	Color Of Wire	Signal Name [Specification]
1	L/Y	-
2	SHIELD	-
3	L/B	-
4	SHIELD	-
5	BR	-
6	G	-
7	W	-
8	Y	-
11	P	-
12	SB	-
13	L	-
14	G	-
15	BG	-

16	BR	-
18	BG	-
20	B	-
21	SB	-
22	W	-
23	L	-
24	GR	-
25	V	-
27	GR	-
28	V	-
29	P	-
31	BR	-
32	Y	-
33	G	-
34	BG	-
37	SHIELD	-
38	L	-
39	P	-
40	R	-
41	W	-
42	LG	-
43	G	-
45	GR	-
46	SHIELD	-
47	W	-
48	BR	-
49	G	-
50	SB	-
52	R	-

Connector No.	E41
Connector Name	ABS ACTUATOR AND ELECTRIC UNIT (CONTROL UNIT)
Connector Type	BAA42FB-AH24-LH



JRMWF9531GB

A
B
C
D
E
F
G
H
I
J
K
L
PG
N
O
P

POWER SUPPLY ROUTING CIRCUIT

< DTC/CIRCUIT DIAGNOSIS >

[POWER SUPPLY & GROUND CIRCUIT]

BATTERY POWER SUPPLY

Terminal No.	Color Of Wire	Signal Name [Specification]
1	B	GROUND
2	GR	GROUND
3	BG	UBSR
4	B	GROUND
5	Y	DS FL
6	BG	DP RL
7	BR	DP RR
9	B	DP FR
10	W	DS FR
11	V	DIAG-K
14	P	CAN-L
25	Y	BUS-L
26	G	DP RL
27	GR	DP RL
28	C	UZ
29	P	DS RR
30	SB	BLS
31	R	VDC OFF SW
35	L	CAN-H
45	B	BUS-H

Connector No.	E57
Connector Name	INTELLIGENT KEY WARNING BUZZER (ENGINE ROOM)
Connector Type	FR03FBR



Terminal No.	Color Of Wire	Signal Name [Specification]
1	GR	-
3	LG	-

Connector No.	E58
Connector Name	FRONT COMBINATION LAMP LH
Connector Type	RS8FB-PR



Terminal No.	Color Of Wire	Signal Name [Specification]
3	B	-
4	GR	-
5	W	-
6	GR	-
7	P	-
8	BG	-

Connector No.	E101
Connector Name	FUSE BLOCK (J/B)
Connector Type	LOTFW-MC



Terminal No.	Color Of Wire	Signal Name [Specification]
10	R	-

Connector No.	E102
Connector Name	FUSE BLOCK (J/B)
Connector Type	M02FB-LC



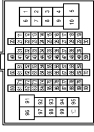
Terminal No.	Color Of Wire	Signal Name [Specification]
1E	V	-

Connector No.	E103
Connector Name	FUSE BLOCK (J/B)
Connector Type	NS18FW-CS



Terminal No.	Color Of Wire	Signal Name [Specification]
1F	SB	-
2F	W	-
4F	G	-
6F	BR	-
8F	L	-
9F	P	-

Connector No.	E106
Connector Name	WIRE TO WIRE
Connector Type	TH80FW-CS16-1M4



Terminal No.	Color Of Wire	Signal Name [Specification]
1	GR	-
2	GR	-
3	G	-
4	G	-
5	G	-
6	Y	-
7	V	-
9	R	-
11	V	-
12	R	-
13	L	-
14	GR	-
15	P	-
16	W	-
17	SB	-
18	BG	-
19	LG	-
20	LG	-
22	BG	-
26	SB	-
37	Y	-
39	R	-
39	B	-
41	R	-
42	LG	-
43	G	-
44	GR	-
45	BR	-
45	LG	-
47	V	-
48	L	-
48	GR	-
62	LG	-
80	R	-
81	P	-
82	G	-
83	V	-

POWER SUPPLY ROUTING CIRCUIT

< DTC/CIRCUIT DIAGNOSIS >

[POWER SUPPLY & GROUND CIRCUIT]

BATTERY POWER SUPPLY

84	L	-
85	V	-
86	W	-
87	Y	-
88	GR	-
89	LG	-
90	SB	-
91	SHIELD	-
92	L	-
93	P	-

Connector No.	E119
Connector Name	STOP LAMP SWITCH
Connector Type	MS4FW-LC



Terminal No.	Color Of Wire	Signal Name [Specification]
1	L	-
2	W	-
3	G	-
4	V	-

Connector No.	E201
Connector Name	FUSIBLE LINK HOLDER
Connector Type	24340 79808



Terminal No.	Color Of Wire	Signal Name [Specification]
5	Y	-

Connector No.	E202
Connector Name	FUSIBLE LINK HOLDER
Connector Type	24340 79805



Terminal No.	Color Of Wire	Signal Name [Specification]
6	R	-

Connector No.	E203
Connector Name	ALTERNATOR
Connector Type	24340 65745



Terminal No.	Color Of Wire	Signal Name [Specification]
1	R	-

Connector No.	E204
Connector Name	STARTER MOTOR
Connector Type	24348 51E61



Terminal No.	Color Of Wire	Signal Name [Specification]
2	BT	-

Connector No.	F7
Connector Name	SWP GASET/PURGE VOLUME CONTROL SOURCE VALVE
Connector Type	E02EL-RS-LGY



Terminal No.	Color Of Wire	Signal Name [Specification]
1	R	-
2	GR	-

Connector No.	F8
Connector Name	CONDENSER
Connector Type	M02FW-LC



Terminal No.	Color Of Wire	Signal Name [Specification]
1	W	-
2	B	-

Connector No.	F11
Connector Name	IGNITION COIL No. 1 (WITH POWER TRANSISTOR)
Connector Type	E03FOY-RS



Terminal No.	Color Of Wire	Signal Name [Specification]
1	G	-
2	B	-
3	W	-

Connector No.	F12
Connector Name	IGNITION COIL No. 2 (WITH POWER TRANSISTOR)
Connector Type	E03FOY-RS



Terminal No.	Color Of Wire	Signal Name [Specification]
1	G	-
2	B	-
3	W	-

JRMWF9533GB





















A
B
C
D
E
F
G
H
I
J
K
L
PG
N
O
P

POWER SUPPLY ROUTING CIRCUIT

< DTC/CIRCUIT DIAGNOSIS >

[POWER SUPPLY & GROUND CIRCUIT]

BATTERY POWER SUPPLY

<table border="1"> <tr><td>Connector No.</td><td>F13</td></tr> <tr><td>Connector Name</td><td>IGNITION COIL No. 3 (WITH POWER TRANSISTOR)</td></tr> <tr><td>Connector Type</td><td>EO3F3Y-RS</td></tr> </table>  	Connector No.	F13	Connector Name	IGNITION COIL No. 3 (WITH POWER TRANSISTOR)	Connector Type	EO3F3Y-RS	<table border="1"> <tr><td>Terminal No.</td><td>Color Of Wire</td><td>Signal Name [Specification]</td></tr> <tr><td>1</td><td>B</td><td>-</td></tr> <tr><td>2</td><td>B</td><td>-</td></tr> <tr><td>3</td><td>W</td><td>-</td></tr> </table>	Terminal No.	Color Of Wire	Signal Name [Specification]	1	B	-	2	B	-	3	W	-						
Connector No.	F13																								
Connector Name	IGNITION COIL No. 3 (WITH POWER TRANSISTOR)																								
Connector Type	EO3F3Y-RS																								
Terminal No.	Color Of Wire	Signal Name [Specification]																							
1	B	-																							
2	B	-																							
3	W	-																							
<table border="1"> <tr><td>Connector No.</td><td>F14</td></tr> <tr><td>Connector Name</td><td>IGNITION COIL No. 4 (WITH POWER TRANSISTOR)</td></tr> <tr><td>Connector Type</td><td>EO3F4Y-RS</td></tr> </table>  	Connector No.	F14	Connector Name	IGNITION COIL No. 4 (WITH POWER TRANSISTOR)	Connector Type	EO3F4Y-RS	<table border="1"> <tr><td>Terminal No.</td><td>Color Of Wire</td><td>Signal Name [Specification]</td></tr> <tr><td>1</td><td>GR</td><td>-</td></tr> <tr><td>2</td><td>B</td><td>-</td></tr> <tr><td>3</td><td>W</td><td>-</td></tr> </table>	Terminal No.	Color Of Wire	Signal Name [Specification]	1	GR	-	2	B	-	3	W	-						
Connector No.	F14																								
Connector Name	IGNITION COIL No. 4 (WITH POWER TRANSISTOR)																								
Connector Type	EO3F4Y-RS																								
Terminal No.	Color Of Wire	Signal Name [Specification]																							
1	GR	-																							
2	B	-																							
3	W	-																							
<table border="1"> <tr><td>Connector No.</td><td>F15</td></tr> <tr><td>Connector Name</td><td>IGNITION COIL No. 5 (WITH POWER TRANSISTOR)</td></tr> <tr><td>Connector Type</td><td>EO3F5Y-RS</td></tr> </table>  	Connector No.	F15	Connector Name	IGNITION COIL No. 5 (WITH POWER TRANSISTOR)	Connector Type	EO3F5Y-RS	<table border="1"> <tr><td>Terminal No.</td><td>Color Of Wire</td><td>Signal Name [Specification]</td></tr> <tr><td>1</td><td>S</td><td>-</td></tr> <tr><td>2</td><td>S</td><td>-</td></tr> <tr><td>3</td><td>W</td><td>-</td></tr> </table>	Terminal No.	Color Of Wire	Signal Name [Specification]	1	S	-	2	S	-	3	W	-						
Connector No.	F15																								
Connector Name	IGNITION COIL No. 5 (WITH POWER TRANSISTOR)																								
Connector Type	EO3F5Y-RS																								
Terminal No.	Color Of Wire	Signal Name [Specification]																							
1	S	-																							
2	S	-																							
3	W	-																							
<table border="1"> <tr><td>Connector No.</td><td>F16</td></tr> <tr><td>Connector Name</td><td>IGNITION COIL No. 6 (WITH POWER TRANSISTOR)</td></tr> <tr><td>Connector Type</td><td>EO3F6Y-RS</td></tr> </table>  	Connector No.	F16	Connector Name	IGNITION COIL No. 6 (WITH POWER TRANSISTOR)	Connector Type	EO3F6Y-RS	<table border="1"> <tr><td>Terminal No.</td><td>Color Of Wire</td><td>Signal Name [Specification]</td></tr> <tr><td>1</td><td>SB</td><td>-</td></tr> <tr><td>2</td><td>B</td><td>-</td></tr> <tr><td>3</td><td>W</td><td>-</td></tr> </table>	Terminal No.	Color Of Wire	Signal Name [Specification]	1	SB	-	2	B	-	3	W	-						
Connector No.	F16																								
Connector Name	IGNITION COIL No. 6 (WITH POWER TRANSISTOR)																								
Connector Type	EO3F6Y-RS																								
Terminal No.	Color Of Wire	Signal Name [Specification]																							
1	SB	-																							
2	B	-																							
3	W	-																							
<table border="1"> <tr><td>Connector No.</td><td>F17</td></tr> <tr><td>Connector Name</td><td>INTAKE VALVE TIMING CONTROL SOLENOID VALVE (BANK 1)</td></tr> <tr><td>Connector Type</td><td>EO2F7G-RS-LGY</td></tr> </table>  	Connector No.	F17	Connector Name	INTAKE VALVE TIMING CONTROL SOLENOID VALVE (BANK 1)	Connector Type	EO2F7G-RS-LGY	<table border="1"> <tr><td>Terminal No.</td><td>Color Of Wire</td><td>Signal Name [Specification]</td></tr> <tr><td>1</td><td>W</td><td>-</td></tr> <tr><td>2</td><td>R</td><td>-</td></tr> </table>	Terminal No.	Color Of Wire	Signal Name [Specification]	1	W	-	2	R	-									
Connector No.	F17																								
Connector Name	INTAKE VALVE TIMING CONTROL SOLENOID VALVE (BANK 1)																								
Connector Type	EO2F7G-RS-LGY																								
Terminal No.	Color Of Wire	Signal Name [Specification]																							
1	W	-																							
2	R	-																							
<table border="1"> <tr><td>Connector No.</td><td>F18</td></tr> <tr><td>Connector Name</td><td>INTAKE VALVE TIMING CONTROL SOLENOID VALVE (BANK 2)</td></tr> <tr><td>Connector Type</td><td>EO2F8G-RS-LGY</td></tr> </table>  	Connector No.	F18	Connector Name	INTAKE VALVE TIMING CONTROL SOLENOID VALVE (BANK 2)	Connector Type	EO2F8G-RS-LGY	<table border="1"> <tr><td>Terminal No.</td><td>Color Of Wire</td><td>Signal Name [Specification]</td></tr> <tr><td>1</td><td>G</td><td>-</td></tr> <tr><td>2</td><td>R</td><td>-</td></tr> </table>	Terminal No.	Color Of Wire	Signal Name [Specification]	1	G	-	2	R	-									
Connector No.	F18																								
Connector Name	INTAKE VALVE TIMING CONTROL SOLENOID VALVE (BANK 2)																								
Connector Type	EO2F8G-RS-LGY																								
Terminal No.	Color Of Wire	Signal Name [Specification]																							
1	G	-																							
2	R	-																							
<table border="1"> <tr><td>Connector No.</td><td>F28</td></tr> <tr><td>Connector Name</td><td>INTAKE VALVE TIMING CONTROL SOLENOID VALVE (BANK 1)</td></tr> <tr><td>Connector Type</td><td>EO2F8G-RS-LGY</td></tr> </table>  	Connector No.	F28	Connector Name	INTAKE VALVE TIMING CONTROL SOLENOID VALVE (BANK 1)	Connector Type	EO2F8G-RS-LGY	<table border="1"> <tr><td>Terminal No.</td><td>Color Of Wire</td><td>Signal Name [Specification]</td></tr> <tr><td>1</td><td>W</td><td>-</td></tr> <tr><td>2</td><td>B</td><td>-</td></tr> <tr><td>3</td><td>SB</td><td>-</td></tr> <tr><td>4</td><td>LG</td><td>-</td></tr> <tr><td>5</td><td>Y</td><td>-</td></tr> </table>	Terminal No.	Color Of Wire	Signal Name [Specification]	1	W	-	2	B	-	3	SB	-	4	LG	-	5	Y	-
Connector No.	F28																								
Connector Name	INTAKE VALVE TIMING CONTROL SOLENOID VALVE (BANK 1)																								
Connector Type	EO2F8G-RS-LGY																								
Terminal No.	Color Of Wire	Signal Name [Specification]																							
1	W	-																							
2	B	-																							
3	SB	-																							
4	LG	-																							
5	Y	-																							
<table border="1"> <tr><td>Connector No.</td><td>F29</td></tr> <tr><td>Connector Name</td><td>INTAKE VALVE TIMING CONTROL SOLENOID VALVE (BANK 2)</td></tr> <tr><td>Connector Type</td><td>EO2F9G-RS-LGY</td></tr> </table>  	Connector No.	F29	Connector Name	INTAKE VALVE TIMING CONTROL SOLENOID VALVE (BANK 2)	Connector Type	EO2F9G-RS-LGY	<table border="1"> <tr><td>Terminal No.</td><td>Color Of Wire</td><td>Signal Name [Specification]</td></tr> <tr><td>1</td><td>G</td><td>-</td></tr> <tr><td>2</td><td>R</td><td>-</td></tr> </table>	Terminal No.	Color Of Wire	Signal Name [Specification]	1	G	-	2	R	-									
Connector No.	F29																								
Connector Name	INTAKE VALVE TIMING CONTROL SOLENOID VALVE (BANK 2)																								
Connector Type	EO2F9G-RS-LGY																								
Terminal No.	Color Of Wire	Signal Name [Specification]																							
1	G	-																							
2	R	-																							
<table border="1"> <tr><td>Connector No.</td><td>F31</td></tr> <tr><td>Connector Name</td><td>MASS AIR FLOW SENSOR (BANK 1)</td></tr> <tr><td>Connector Type</td><td>HS03F1B</td></tr> </table>  	Connector No.	F31	Connector Name	MASS AIR FLOW SENSOR (BANK 1)	Connector Type	HS03F1B	<table border="1"> <tr><td>Terminal No.</td><td>Color Of Wire</td><td>Signal Name [Specification]</td></tr> <tr><td>1</td><td>B</td><td>-</td></tr> <tr><td>2</td><td>B</td><td>-</td></tr> <tr><td>3</td><td>SB</td><td>-</td></tr> <tr><td>4</td><td>LG</td><td>-</td></tr> <tr><td>5</td><td>Y</td><td>-</td></tr> </table>	Terminal No.	Color Of Wire	Signal Name [Specification]	1	B	-	2	B	-	3	SB	-	4	LG	-	5	Y	-
Connector No.	F31																								
Connector Name	MASS AIR FLOW SENSOR (BANK 1)																								
Connector Type	HS03F1B																								
Terminal No.	Color Of Wire	Signal Name [Specification]																							
1	B	-																							
2	B	-																							
3	SB	-																							
4	LG	-																							
5	Y	-																							
<table border="1"> <tr><td>Connector No.</td><td>F36</td></tr> <tr><td>Connector Name</td><td>ALTERNATOR</td></tr> <tr><td>Connector Type</td><td>HS03F6B</td></tr> </table>  	Connector No.	F36	Connector Name	ALTERNATOR	Connector Type	HS03F6B	<table border="1"> <tr><td>Terminal No.</td><td>Color Of Wire</td><td>Signal Name [Specification]</td></tr> <tr><td>1</td><td>G</td><td>-</td></tr> <tr><td>2</td><td>V</td><td>-</td></tr> <tr><td>3</td><td>V</td><td>-</td></tr> <tr><td>4</td><td>W</td><td>-</td></tr> </table>	Terminal No.	Color Of Wire	Signal Name [Specification]	1	G	-	2	V	-	3	V	-	4	W	-			
Connector No.	F36																								
Connector Name	ALTERNATOR																								
Connector Type	HS03F6B																								
Terminal No.	Color Of Wire	Signal Name [Specification]																							
1	G	-																							
2	V	-																							
3	V	-																							
4	W	-																							

JRMWF9534GB

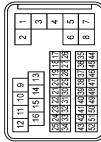
POWER SUPPLY ROUTING CIRCUIT

< DTC/CIRCUIT DIAGNOSIS >

[POWER SUPPLY & GROUND CIRCUIT]

BATTERY POWER SUPPLY

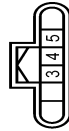
Connector No.	F59
Wire To Wire	
Connector Name	SA33BEP-RSS-SH28
Connector Type	



Terminal No.	Color Of Wire	Signal Name [Specification]
1	L/Y	
2	SHIELD	
3	SHIELD	
4	SHIELD	
5	BR	
6	W	
7	G	
8	W	
9	W	
10	G	
11	R	
12	P	
13	L	
14	LG	
15	R	
16	O	[AMD models]
17	O	[AMD models]
18	LG	[AMD models]
19	P	
20	O	
21	BR	
22	G	
23	Y	
24	LG	
25	V	
27	GR	
28	BR	
29	L	
30	R	
31	R	
32	R	
33	SB	
34	BR	[AMD models]
37	B	[AMD models]
38	W	[AMD models]

38	Y		
41	S		
42	GR		
43	R		
45	O		
46	SHIELD		
47	W/L		
48	LG		
49	O/L		
50	L/Y		
51	W		
52	L/G		

Connector No.	F42
Connector Name	MASS AIR FLOW SENSOR (BANK 2)
Connector Type	RH06FB



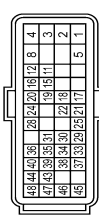
Terminal No.	Color Of Wire	Signal Name [Specification]
1	W	
2	G	
3	BY	
4	BY	
5	GR	

Connector No.	F51
Connector Name	A/T ASSEMBLY
Connector Type	RK0FG-DQV



Terminal No.	Color Of Wire	Signal Name [Specification]
1	W	
2	R	
3	L	
4	V	
5	B	
6	G	
7	R	
8	P	
9	GR	
10	B	

Connector No.	F101
Connector Name	ECM
Connector Type	FR40EP-R28-L-LH-Z



Terminal No.	Color Of Wire	Signal Name [Specification]
1	W	A/F SENSOR HEATER (BANK 1)
2	G	THROTTLE CONTROL MOTOR (GREEN) (BANK 1)
3	B	THROTTLE CONTROL MOTOR (GREEN) (BANK 2)
4	BR	THROTTLE CONTROL MOTOR (CLOSE) (BANK 1)
5	SB	A/F SENSOR 1 HEATER (AMD MODELS)
6	W	A/F SENSOR 2 HEATER (AMD MODELS)
8	B	ECM GROUND
11	GR	IGNITION SIGNAL NO.4
12	L	IGNITION SIGNAL NO.3
15	V	IGNITION SIGNAL NO.5
16	G	IGNITION SIGNAL NO.2
17	P	HEATED OXYGEN SENSOR 2 HEATER (BANK 1)
18	W	INTAKE VALVE TIMING CONTROL SOLENOID VALVE (BANK 1)
19	SB	IGNITION SIGNAL NO.1
20	Y	IGNITION SIGNAL NO.2
21	GR	IGNITION SIGNAL NO.3
22	GR	IGNITION SIGNAL NO.4
23	GR	IGNITION SIGNAL NO.5
24	GR	IGNITION SIGNAL NO.6
25	O	THROTTLE CONTROL MOTOR RELAY (AMD MODELS)
26	BR	LEVEL ACTUATOR MOTOR RELAY (BANK 1) (LEVEL CONTROL MODULE)
28	BR	INTAKE VALVE TIMING CONTROL SOLENOID VALVE (BANK 2)
29	G	

30	Y	THROTTLE POSITION SENSOR 1 (BANK 1)
31	B	THROTTLE POSITION SENSOR 2 (BANK 1)
32	SB	HEATED OXYGEN SENSOR HEATER 2
33	B	THROTTLE POSITION SENSOR 2 (BANK 1)
34	W	THROTTLE POSITION SENSOR 2 (BANK 2)
36	O	SENSOR GROUND
37	W	CRANKSHAFT POSITION SENSOR
38	O	MANIFOLD ABSOLUTE PRESSURE (MAP) SENSOR
39	P	BRAKE BOOSTER PRESSURE SENSOR
40	R	SENSOR GROUND
43	G	SENSOR POWER SUPPLY
44	L	SENSOR POWER SUPPLY
45	LG	SENSOR POWER SUPPLY
46	R	SENSOR GROUND
47	Y	SENSOR GROUND
48	B	SENSOR GROUND

Connector No.	F102
Connector Name	ECM
Connector Type	RH40FBR-R28-L-LH-Z



Terminal No.	Color Of Wire	Signal Name [Specification]
48	GR	THROTTLE CONTROL MOTOR (CLOSE) (BANK 2)
50	V	THROTTLE CONTROL MOTOR (GREEN) (BANK 2)
52	R	THROTTLE CONTROL MOTOR (GREEN) (BANK 2)
53	W	IGNITION SWITCH
54	Y	CAN COMMUNICATION LINE (LEVEL CONTROL MODULE)
55	LG	CAN COMMUNICATION LINE (LEVEL CONTROL MODULE)
57	L	A/F SENSOR 1 (BANK 1)
59	O	CRANKSHAFT POSITION SENSOR (BANK 1) (AMD MODELS)
59	O	CRANKSHAFT POSITION SENSOR (BANK 2) (AMD MODELS)
60	G	SENSOR POWER SUPPLY
61	R	A/F SENSOR 1 (BANK 1)
62	R	A/F SENSOR 2 (BANK 1)
63	SB	SENSOR POWER SUPPLY
65	LG	A/F SENSOR 1 (BANK 2)
66	P	A/F SENSOR 2 (BANK 2)
67	V	INTAKE AIR TEMPERATURE SENSOR
68	LG	SENSOR GROUND
69	W	KNOCK SENSOR (BANK 2)

A
B
C
D
E
F
G
H
I
J
K
L
PG
N
O
P

POWER SUPPLY ROUTING CIRCUIT

< DTC/CIRCUIT DIAGNOSIS >

[POWER SUPPLY & GROUND CIRCUIT]

BATTERY POWER SUPPLY

71	Y	ENGINE COOLANT TEMPERATURE SENSOR
72	B	SHIELD
73	W	KNOCK SENSOR (BANK 1)
76	W	HEATED OXYGEN SENSOR Z (BANK 1)
77	SB	MASS AIR FLOW SENSOR (BANK 1)
78	G	ENGINE OIL TEMPERATURE SENSOR
79	BR	MASS AIR FLOW SENSOR (BANK 2)
80	O	HEATED OXYGEN SENSOR Z (BANK 2)
81	R	FUEL INJECTOR NO.3
82	V	FUEL INJECTOR NO.6
84	B	SENSOR GROUND
85	BR	FUEL INJECTOR NO.2
86	W	FUEL INJECTOR NO.3
87	V	POWER STEERING PRESSURE SENSOR
88	GR	FUEL INJECTOR NO.1
89	GR	FUEL INJECTOR NO.4
90	SB	BATTERY CURRENT SENSOR
92	G	SENSOR GROUND
93	P	POWER SUPPLY FOR ECU (BACK-UP)
94	Y	SENSOR GROUND
95	G	SENSOR GROUND
96	BR	SENSOR GROUND [AWD MODELS]
96	P	SENSOR GROUND [2WD MODELS]

Connector No.	F104
Connector Name	WIRE TO WIRE
Connector Type	TH08FPW-NH



Terminal No.	Color Of Wire	Signal Name [Specification]
1	P	- [2WD models]
1	Y	- [AWD models]
2	V	- [2WD models]
2	W	- [AWD models]
3	U	- [2WD models]
3	R	- [AWD models]
4	GR	- [AWD models]
4	Y	- [2WD models]
6	GR	- [2WD models]
6	V	- [AWD models]
7	O	- [AWD models]

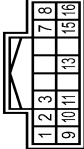
7	B	- [2WD models]
8	BR	- [2WD models]
8	O	- [2WD models]

Connector No.	F105
Connector Name	WIRE TO WIRE
Connector Type	TH03MW-NH



Terminal No.	Color Of Wire	Signal Name [Specification]
1	P	- [2WD models]
1	Y	- [AWD models]
2	V	- [2WD models]
2	W	- [AWD models]
3	L	- [2WD models]
3	R	- [AWD models]
4	GR	- [AWD models]
4	Y	- [2WD models]
6	GR	- [2WD models]
6	V	- [AWD models]
7	O	- [AWD models]
7	R	- [2WD models]
8	BR	- [AWD models]
8	O	- [2WD models]

Connector No.	F108
Connector Name	AWD CONTROL UNIT
Connector Type	TH16FPW-NH



Terminal No.	Color Of Wire	Signal Name [Specification]
2	Y	AWD SOL (+)
2	V	AWD SOL (-)
3	W	FLUID TEMP (-)
7	G	IGN
8	L	CAN-H
9	O	AWD SOL BAT
10	B	GROUND
11	B	GROUND
13	LG	FLUID TEMP (+)
15	Y	BATTERY
16	P	CAN-L

Connector No.	F109
Connector Name	WIRE TO WIRE
Connector Type	TH12FPW-NH



Terminal No.	Color Of Wire	Signal Name [Specification]
1	Y	- [2WD models]
1	Y	- [AWD models]
2	GR	- [2WD models]
2	L	- [AWD models]
3	R	- [2WD models]
3	V	- [AWD models]
4	P	- [AWD models]
4	W	- [2WD models]
5	BR	- [AWD models]
5	Y	- [2WD models]
6	G	-
7	BR	-
8	BR	- [2WD models]
8	R	- [AWD models]
9	GR	- [2WD models]
9	G	- [AWD models]
10	V	- [2WD models]
11	SB	-

Connector No.	F110
Connector Name	WIRE TO WIRE
Connector Type	TH12MW-NH



Terminal No.	Color Of Wire	Signal Name [Specification]
1	V	- [2WD models]
1	Y	- [AWD models]
2	GR	- [2WD models]
2	L	- [AWD models]
3	R	- [2WD models]
3	V	- [AWD models]
4	P	- [AWD models]
4	W	- [2WD models]
5	BR	- [AWD models]
5	Y	- [2WD models]
6	G	-
7	BR	-
8	BR	- [2WD models]
8	R	- [AWD models]
9	GR	- [2WD models]
9	V	- [AWD models]
10	V	- [2WD models]
11	SB	-

Connector No.	F157
Connector Name	TCM
Connector Type	SP10FG



JRMWF9536GB

POWER SUPPLY ROUTING CIRCUIT

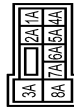
< DTC/CIRCUIT DIAGNOSIS >

[POWER SUPPLY & GROUND CIRCUIT]

BATTERY POWER SUPPLY

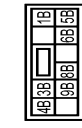
Terminal No.	Color Of Wire	Signal Name [Specification]
1	SHIELD	VIGN
2	SHIELD	BATT
3	SHIELD	CAN-H
4	SHIELD	K-LINE
5	SHIELD	GROUND
6	SHIELD	VIGN
7	SHIELD	REV LAMP RLY
8	SHIELD	CAN-L
9	SHIELD	STARTER RLY
10	SHIELD	GROUND

Connector No.	M1
Connector Name	FUSE BLOCK (J/B)
Connector Type	NS36FP-42



Terminal No.	Color Of Wire	Signal Name [Specification]
7A	V	
2A	G	
4A	P	
5A	L	
6A	Y	
7A	R	
8A	L	

Connector No.	M2
Connector Name	FUSE BLOCK (J/B)
Connector Type	NS10FP-CS



Terminal No.	Color Of Wire	Signal Name [Specification]
1B	SB	
2B	L	
3B	G	
4B	Y	
5B	BG	
6B	Y	
7B	R	
8B	SB	

Connector No.	M6
Connector Name	WIRE TO WIRE
Connector Type	TH8DMW-CS16-TM4



Terminal No.	Color Of Wire	Signal Name [Specification]
1	BG	
3	R	
5	G	
6	LG	
7	W	
9	G	
12	R	
13	L	
14	GR	
15	P	
16	W	
17	BR	

18	P	
20	L	
31	L	
32	Y	
36	R	
37	Y	
38	R	
39	SB	
41	V	
42	LG	
43	P	
44	B	
45	BG	
46	G	
47	L	
48	P	
49	C	
66	Y	
67	G	
80	SB	
81	B	
82	V	
83	W	
84	L	
85	GR	
89	LG	
91	W	
93	Y	
95	Y	
98	SHIELD	
99	W	
100	SB	

Connector No.	M7
Connector Name	WIRE TO WIRE
Connector Type	TH8DMW-CS16-TM4



Terminal No.	Color Of Wire	Signal Name [Specification]
1	GR	
2	P	
3	P	
4	Y	
6	L	
8	G	
9	Y	
24	V	
25	LG	
26	BR	
27	BG	
28	LG	
31	Y	
32	SHIELD	
33	GR	
35	BR	
36	Y	
37	SHIELD	
38	SB	
39	LG	
40	O	
41	W	
42	SHIELD	
43	R	
44	G	
45	SHIELD	
46	SB	
48	B	
58	V	
59	Y	
71	V	
72	P	
73	SB	
74	V	
81	W	
82	BR	
84	LG	
85	BG	
86	SB	
87	GR	
88	L	
89	P	
92	L	
93	P	
95	BG	

A
B
C
D
E
F
G
H
I
J
K
L
PG
N
O
P

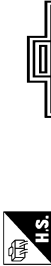
POWER SUPPLY ROUTING CIRCUIT

< DTC/CIRCUIT DIAGNOSIS >

[POWER SUPPLY & GROUND CIRCUIT]

BATTERY POWER SUPPLY

Connector No.	M19
Connector Name	VDC OFF SWITCH
Connector Type	TK08FEV



Terminal No.	Color	Wire	Signal Name [Specification]
1	B	GR	—
2	B	SB	—
3	B	SB	—
4	B	B	—

Connector No.	M20
Connector Name	TRUNK LID OPENER SWITCH
Connector Type	TK04FEV



Terminal No.	Color	Wire	Signal Name [Specification]
1	GR	—	—
2	B	—	—
3	LG	—	—
4	R	—	—

Connector No.	M22
Connector Name	KEY SLOT
Connector Type	TH12FW-NH



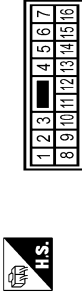
Terminal No.	Color	Wire	Signal Name [Specification]
1	GR	—	BAT
2	GR	W	GCCK
3	W	—	DATA
4	Y	—	ILL BAT
5	Y	—	ILL
6	LG	L	—
7	B	—	GROUND
11	SB	—	KEY SWITCH SIGNAL

Connector No.	M24
Connector Name	DATA LINK CONNECTOR
Connector Type	BD16FW-P



Terminal No.	Color	Wire	Signal Name [Specification]
3	LG	—	—
4	B	—	—
5	B	—	—
6	L	—	—
7	V	—	—
8	V	—	—
11	SB	—	—
14	P	—	—
16	R	—	—

Connector No.	M23
Connector Name	WIRE TO WIRE
Connector Type	NS18MW-CS



Terminal No.	Color	Wire	Signal Name [Specification]
1	W	—	—
2	W	—	—
3	BR	—	—
4	BR	—	—
5	L	—	—
6	LG	L	—
7	B	—	—
8	P	—	—
10	P	—	—
11	L	—	—
12	Y	—	—
13	SB	—	—
14	R	—	—
15	G	—	—
16	W	—	—

Connector No.	M25
Connector Name	COMBINATION SWITCH (SPIRAL CABLE)
Connector Type	TK08FY-EX-1V



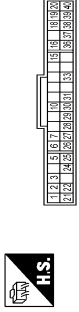
Terminal No.	Color	Wire	Signal Name [Specification]
20	Y	—	—
21	Y	—	—
22	Y	—	—
23	R	—	—
28	Y	—	—
29	Y	—	—
30	Y	—	—

Connector No.	M26
Connector Name	PUSH-BUTTON IGNITION SWITCH
Connector Type	TK08FER



Terminal No.	Color	Wire	Signal Name [Specification]
1	B	—	—
2	B	—	—
3	L	—	—
4	BR	—	—
5	LG	—	—
6	BG	—	—
7	GR	—	—
8	P	—	—

Connector No.	M23
Connector Name	COMBINATION METER
Connector Type	SAB0FW



Terminal No.	Color	Wire	Signal Name [Specification]
1	V	—	BATTERY POWER SUPPLY
2	LG	—	COMMUNICATION SIGNAL (METER AMP.)
3	GR	—	COMMUNICATION SIGNAL (AMP-METER)
4	B	—	GROUND
5	B	—	GROUND
6	W	—	ALTER SIGNAL
7	LG	—	ILL BAT SIGNAL
8	W	—	SECURITY SIGNAL
15	B	—	GROUND
16	BR	—	METER CONTROL SWITCH GROUND
18	GR	—	ILL GND
19	B	—	ILL GND
20	R	—	ILL

POWER SUPPLY ROUTING CIRCUIT

< DTC/CIRCUIT DIAGNOSIS >

[POWER SUPPLY & GROUND CIRCUIT]

BATTERY POWER SUPPLY

Terminal No.	Color Of Wire	Signal Name [Specification]
21	G	IGNITION SIGNAL
22	G	IGNITION SIGNAL (CD-AMP)
23	BR	COMMUNICATION SIGNAL (AMP-CD)
24	YR	COMMUNICATION SIGNAL (AMP-LCD)
25	R	VEHICLE SPEED SIGNAL (R-PULSE)
26	R	PARKING BRAKE SWITCH SIGNAL
27	P	BRAKE FLUID LEVEL SWITCH SIGNAL
28	SB	SEAT BELT BUCKLE SW SIGNAL (DRIVER SIDE)
29	P	SEAT BELT BUCKLE SW SIGNAL (PASSENGER SIDE)
30	G	WASHER LEVEL SWITCH SIGNAL
31	L	ILLUMINATION CONTROL SIGNAL
33	R	SELECT SWITCH SIGNAL
36	LG	ENTER SWITCH SIGNAL
37	Y	TRIP A/B RESET SWITCH SIGNAL
38	G	ILLUMINATION CONTROL SWITCH SIGNAL (-)
39	P	ILLUMINATION CONTROL SWITCH SIGNAL (+)
40	BG	ILLUMINATION CONTROL SWITCH SIGNAL (+)

Terminal No.	Color Of Wire	Signal Name [Specification]
1	W	-
2	P	-



Terminal No.	Color Of Wire	Signal Name [Specification]
41	L	ACC POWER SUPPLY
42	BR	FUEL LEVEL SENSOR SIGNAL
43	BR	FUEL LEVEL SENSOR SIGNAL
44	LG	IN-VEHICLE SENSOR SIGNAL
45	Y	AMBIENT SENSOR SIGNAL
46	Y	SUNLOAD SENSOR SIGNAL
53	W	IGNITION POWER SUPPLY
54	SB	BATTERY POWER SUPPLY
55	B	GROUND
56	L	CAN-H
57	LG	BRAKE FLUID LEVEL SWITCH
58	Y	FUEL LEVEL SENSOR GROUND
59	GR	INTAKE SENSOR GROUND
60	W	IN-VEHICLE SENSOR GROUND
61	B	AMBIENT SENSOR GROUND
62	BR	SUNLOAD SENSOR GROUND
63	BR	ACC POWER SUPPLY
69	P	A/C CAN SIGNAL
70	R	EACH DOOR MOTOR POWER SUPPLY
71	GR	GROUND
72	P	CAN-L



Terminal No.	Color Of Wire	Signal Name [Specification]
1	G	-
2	P	-
3	LG	-



Terminal No.	Color Of Wire	Signal Name [Specification]
1	B	ILLUMINATION (-)
2	B	ILLUMINATION (+)
3	B	GROUND
4	Y	BAT



Terminal No.	Color Of Wire	Signal Name [Specification]
1	G	-
2	P	-
3	LG	-



Terminal No.	Color Of Wire	Signal Name [Specification]
1	B	ILLUMINATION (-)
2	B	ILLUMINATION (+)
3	B	GROUND
4	Y	BAT



Terminal No.	Color Of Wire	Signal Name [Specification]
1	B	ILLUMINATION (-)
2	B	ILLUMINATION (+)
3	B	GROUND
4	Y	BAT



Terminal No.	Color Of Wire	Signal Name [Specification]
6	SHIELD	SHIELD
7	SHIELD	SHIELD
8	W	CAMERA IMAGE SIGNAL
9	L	COMM (DISP-CONT)
10	P	COMM (CONT-DISP)
11	Y	BATTERY
12	B	GROUND
18	L	COMPOSITE IMAGE SIGNAL
19	L	COMPOSITE IMAGE GND
22	SHIELD	SHIELD
23	LG	ACC



Terminal No.	Color Of Wire	Signal Name [Specification]
1	W	-
2	P	-

Terminal No.	Color Of Wire	Signal Name [Specification]
1	B	GROUND
3	P	ACC
4	BG	ILL
5	B	ILL CONT
6	SB	AV COMM (H)
8	LG	AV COMM (L)
9	BR	SW GND
14	Y	DISK EJECT SIGNAL
16	G	HAZARD ON

Terminal No.	Color Of Wire	Signal Name [Specification]
1	B	ILLUMINATION (-)
2	B	ILLUMINATION (+)
3	B	GROUND
4	Y	BAT



Terminal No.	Color Of Wire	Signal Name [Specification]
6	SHIELD	SHIELD
7	SHIELD	SHIELD
8	W	CAMERA IMAGE SIGNAL
9	L	COMM (DISP-CONT)
10	P	COMM (CONT-DISP)
11	Y	BATTERY
12	B	GROUND
18	L	COMPOSITE IMAGE SIGNAL
19	L	COMPOSITE IMAGE GND
22	SHIELD	SHIELD
23	LG	ACC



JRMWF9539GB

A
B
C
D
E
F
G
H
I
J
K
L
PG
N
O
P

POWER SUPPLY ROUTING CIRCUIT

< DTC/CIRCUIT DIAGNOSIS >

[POWER SUPPLY & GROUND CIRCUIT]

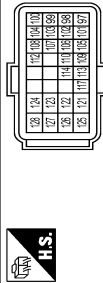
BATTERY POWER SUPPLY

Connector No.	M102
Connector Name	GLOVE BOX LAMP
Connector Type	AQ2FW



Terminal No.	Color	Wire	Signal Name [Specification]
1	R	B	
2	R	B	

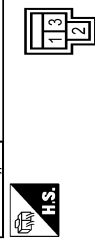
Connector No.	M107
Connector Name	ECM
Connector Type	RH24FGY-R28-R-LH-Z



Terminal No.	Color	Wire	Signal Name [Specification]
97	R	P	ACCELERATOR PEDAL POSITION SENSOR 1
98	R	P	ACCELERATOR PEDAL POSITION SENSOR 2
100	L	W	SENSOR POWER SUPPLY
101	SB	W	SENSOR GROUND
102	LG	W	ASC2 STEERING SWITCH
103	GR	V	EVAP CONTROL SYSTEM PRESSURE SENSOR
104	V	W	SENSOR POWER SUPPLY
105	L	W	SENSOR GROUND
106	W	W	REFRIGERANT PRESSURE SENSOR
107	GR	W	FUEL TANK TEMPERATURE SENSOR
108	G	W	SENSOR SUPPLY
109	G	W	SENSOR GROUND
110	R	W	ENGINE SPEED OUTPUT SIGNAL
112	V	W	SENSOR GROUND
113	P	W	CAN COMMUNICATION LINE
114	L	W	CAN COMMUNICATION LINE
117	V	W	DATA LINK CONNECTOR

131	LG	B	EVAP CANISTER VENT CONTROL VALVE
132	W	B	STOP LAMP SWITCH
133	B	B	ECM GROUND
134	B	B	ECM GROUND
135	R	B	POWER SUPPLY FOR ECM
136	BR	B	ASC2 BRAKE SWITCH
137	B	B	ECM GROUND
138	B	B	ECM GROUND

Connector No.	M118
Connector Name	BCM (BODY CONTROL MODULE)
Connector Type	MG2PE-LC



Terminal No.	Color	Wire	Signal Name [Specification]
1	W	W	BAT (F/L)
2	Y	W	POWER WINDOW POWER SUPPLY (BAT)
3	EG	W	POWER WINDOW POWER SUPPLY (RAP)

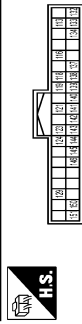
Connector No.	M119
Connector Name	BCM (BODY CONTROL MODULE)
Connector Type	NS18FW-GS



Terminal No.	Color	Wire	Signal Name [Specification]
4	LG	B	INTERIOR ROOM LAMP POWER SUPPLY
5	P	B	PASSENGER DOOR UNLOCK OUTPUT
7	SB	B	STEP LAMP CONT
8	V	W	ALL DOOR FUEL LID LOCK OUTPUT
9	G	W	DRIVER DOOR FUEL LID UNLOCK OUTPUT
10	P	W	REAR DOOR UNLOCK OUTPUT
11	R	W	BAT (FUSE)

13	B	GROUND
14	W	PUSH-BUTTON LOCK/IGNITION SW L1L GND
15	EG	ACC LID
16	W	TURN SIGNAL RH (FRONT)
17	W	TURN SIGNAL LH (FRONT)
18	EG	TURN SIGNAL LH (FRONT)
19	V	INT ROOM LAMP CONT

Connector No.	M123
Connector Name	BCM (BODY CONTROL MODULE)
Connector Type	TH46FG-NH



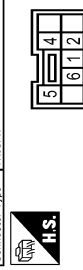
Terminal No.	Color	Wire	Signal Name [Specification]
113	BG	B	OPTICAL SENSOR
116	SB	B	STOP LAMP SW 1
118	BR	B	STOP LAMP SW 2
119	SB	B	DR DOOR UNLOCK SENSOR
121	SB	B	KEY SLOT SW
123	V	W	IGN L7/B
124	R	W	PASSENGER DOOR SW
125	EG	W	TRUNK LID COIL/RELEASE SW
132	V	W	POWER WINDOW SW COMM
133	L	W	LOCK LID
134	LG	W	LOCK LID
137	BG	W	RECEIVER / SENSOR GND
138	V	W	RECEIVER / SENSOR POWER SUPPLY
139	L	W	TIRE PRESSURE RECEIVER COMM
140	B	W	SHIFT N/P
141	W	W	SECURITY IND LAMP CONT
142	BR	W	COMBI SW OUTPUT 5
143	P	W	COMBI SW OUTPUT 1
144	G	W	COMBI SW OUTPUT 2
145	L	W	COMBI SW OUTPUT 3
146	SB	W	COMBI SW OUTPUT 4
147	GR	W	COMBI SW OUTPUT 6
151	G	W	REAR WINDOW DEFROGGER RELAY CONT

Connector No.	M137
Connector Name	A/T SHIFT SELECTOR
Connector Type	TH12FW-HH



Terminal No.	Color	Wire	Signal Name [Specification]
1	V	W	
2	L	W	
3	L	W	
4	B	W	
5	G	W	
7	Y	W	
8	LG	W	
9	B	W	
10	GR	W	
11	R	W	

Connector No.	M139
Connector Name	SNOW MODE SWITCH
Connector Type	TR08FW



Terminal No.	Color	Wire	Signal Name [Specification]
1	R	W	
2	GR	W	
3	P	W	
4	B	W	
5	B	W	
6	B	W	

JRMWF9540GB

POWER SUPPLY ROUTING CIRCUIT

< DTC/CIRCUIT DIAGNOSIS >

[POWER SUPPLY & GROUND CIRCUIT]

BATTERY POWER SUPPLY

Connector No.	M141
Connector Name	HEATED SEAT SWITCH (DRIVER SIDE)
Connector Type	TH10FW



Terminal No.	Color Of Wire	Signal Name [Specification]
1	L	-
2	GR	-
3	LG	-
4	B	-
5	G	-
6	B	-

Connector No.	M142
Connector Name	HEATED SEAT SWITCH (PASSENGER SIDE)
Connector Type	TH08FBR



Terminal No.	Color Of Wire	Signal Name [Specification]
1	LG	-
2	SB	-
3	V	-
4	B	-
5	BG	-
6	B	-

Connector No.	M201
Connector Name	AV CONTROL UNIT
Connector Type	TH18FW-GSE



Terminal No.	Color Of Wire	Signal Name [Specification]
2	L	SOUND SIGNAL FRONT LH (+)
3	L	SOUND SIGNAL FRONT RH (-)
4	LG	SOUND SIGNAL REAR LH (-)
5	SB	SOUND SIGNAL REAR RH (-)
6	P	STRG SW A
7	V	ACC
9	L	ILLUMINATION
11	BR	SOUND SIGNAL FRONT RH (+)
12	R	SOUND SIGNAL FRONT RH (-)
13	L	SOUND SIGNAL REAR LH (-)
14	P	SOUND SIGNAL REAR RH (-)
15	B	STRG SW B
16	L	STRG SW B
18	G	GROUND
19	Y	BATTERY
20	B	GROUND

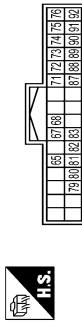
Connector No.	M208
Connector Name	AV CONTROL UNIT
Connector Type	TH18FW-GSE



Terminal No.	Color Of Wire	Signal Name [Specification]
1	GR	AMP ON SIGNAL
2	O	SOUND SIGNAL FRONT LH (+)
3	W	SOUND SIGNAL FRONT LH (-)
4	V	SOUND SIGNAL REAR LH (-)

5	LG	SOUND SIGNAL REAR LH (-)
6	P	STRG SW A
7	V	ACC
10	B	SHIELD
11	R	SOUND SIGNAL FRONT RH (-)
12	G	SOUND SIGNAL FRONT RH (+)
13	BR	SOUND SIGNAL REAR RH (+)
14	Y	SOUND SIGNAL REAR RH (-)
15	B	STRG SW GND
16	L	STRG SW B
19	Y	BATTERY
20	B	GROUND

Connector No.	M210
Connector Name	AV CONTROL UNIT
Connector Type	TH32FW-NH



Terminal No.	Color Of Wire	Signal Name [Specification]
65	SB	PARKING BRAKE
66	P	COMPOSITE MIRROR
68	I	COMPOSITE MIRROR SIGNAL
71	SHIELD	MICROPHONE GND
72	G	MICROPHONE VCC
73	P	COMM (CONT-DISP)
74	P	CAN-L
75	LG	AV COMM (L)
76	LG	AV COMM (L)
79	L	ILLUMINATION
80	G	IGNITION
81	BG	REVERSE
82	R	VEHICLE SPEED (P-PULSE)
83	SHIELD	SHIELD
87	R	MICROPHONE SIGNAL
88	SHIELD	COMM (USB-CONT)
89	L	CAN-H
91	SB	AV COMM (H)
92	SB	AV COMM (H)

Connector No.	R2
Connector Name	AUTO ANTI-DAZZLING INSIDE MIRROR
Connector Type	TH10FB-NH



Terminal No.	Color Of Wire	Signal Name [Specification]
6	BR	IGN
8	B	GROUND
9	GR	BAT

Connector No.	R15
Connector Name	MAP LAMP
Connector Type	TH08FCY



Terminal No.	Color Of Wire	Signal Name [Specification]
1	R	-
2	V	-
3	Y	-
4	B	-
5	SHIELD	-
6	B	-

JRMWF9541GB

A
B
C
D
E
F
G
H
I
J
K
L
N
O
P

PG

POWER SUPPLY ROUTING CIRCUIT

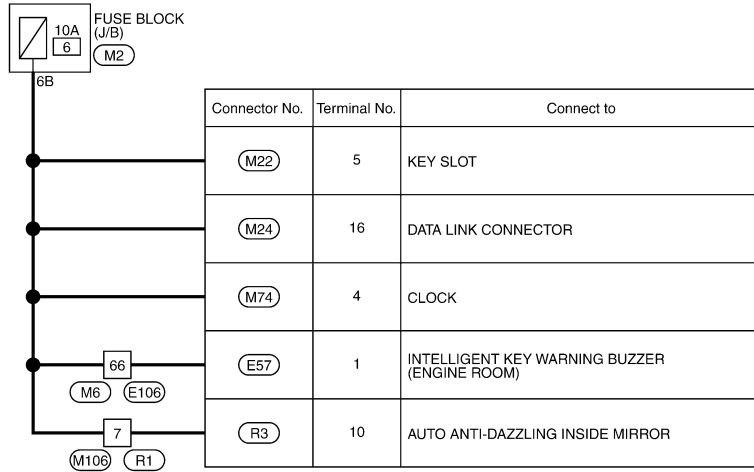
< DTC/CIRCUIT DIAGNOSIS >

[POWER SUPPLY & GROUND CIRCUIT]

Wiring Diagram - BATTERY POWER SUPPLY FUSE No. 6 -

INFOID:000000010990116

BATTERY POWER SUPPLY FUSE No. 6



2014/06/09

JRMWF9373GB

POWER SUPPLY ROUTING CIRCUIT


< DTC/CIRCUIT DIAGNOSIS >

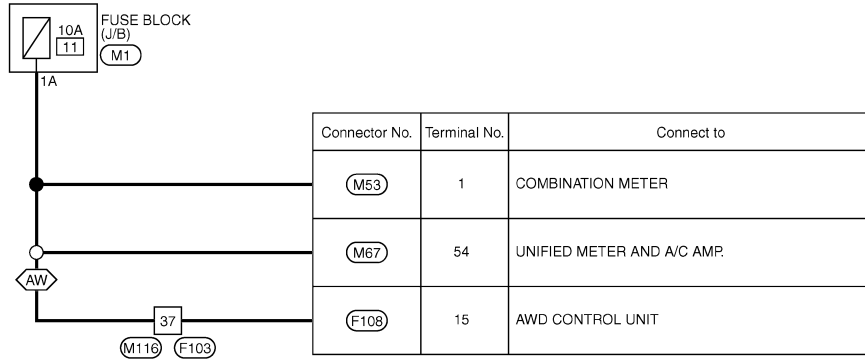
[POWER SUPPLY & GROUND CIRCUIT]

Wiring Diagram - BATTERY POWER SUPPLY FUSE No. 11 -

INFOID:000000010990120

BATTERY POWER SUPPLY FUSE No. 11

 : AWD models



A
B
C
D
E
F
G
H
I
J
K
L
PG
N
O
P

2008/08/07

JCMWA3067GB

POWER SUPPLY ROUTING CIRCUIT

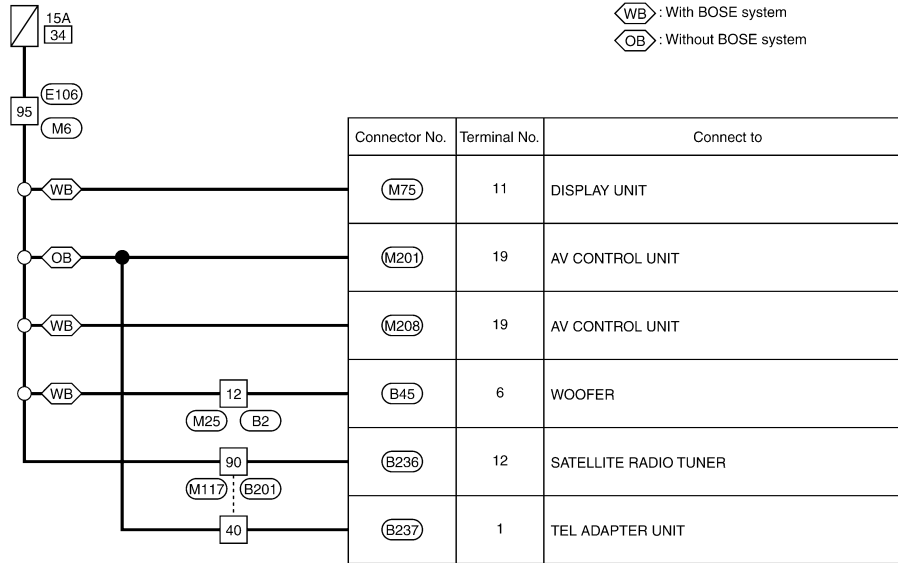
< DTC/CIRCUIT DIAGNOSIS >

[POWER SUPPLY & GROUND CIRCUIT]

Wiring Diagram - BATTERY POWER SUPPLY FUSE No. 34 -

INFOID:000000010990121

BATTERY POWER SUPPLY FUSE No. 34



2014/06/09

JRMWF9374GB

POWER SUPPLY ROUTING CIRCUIT

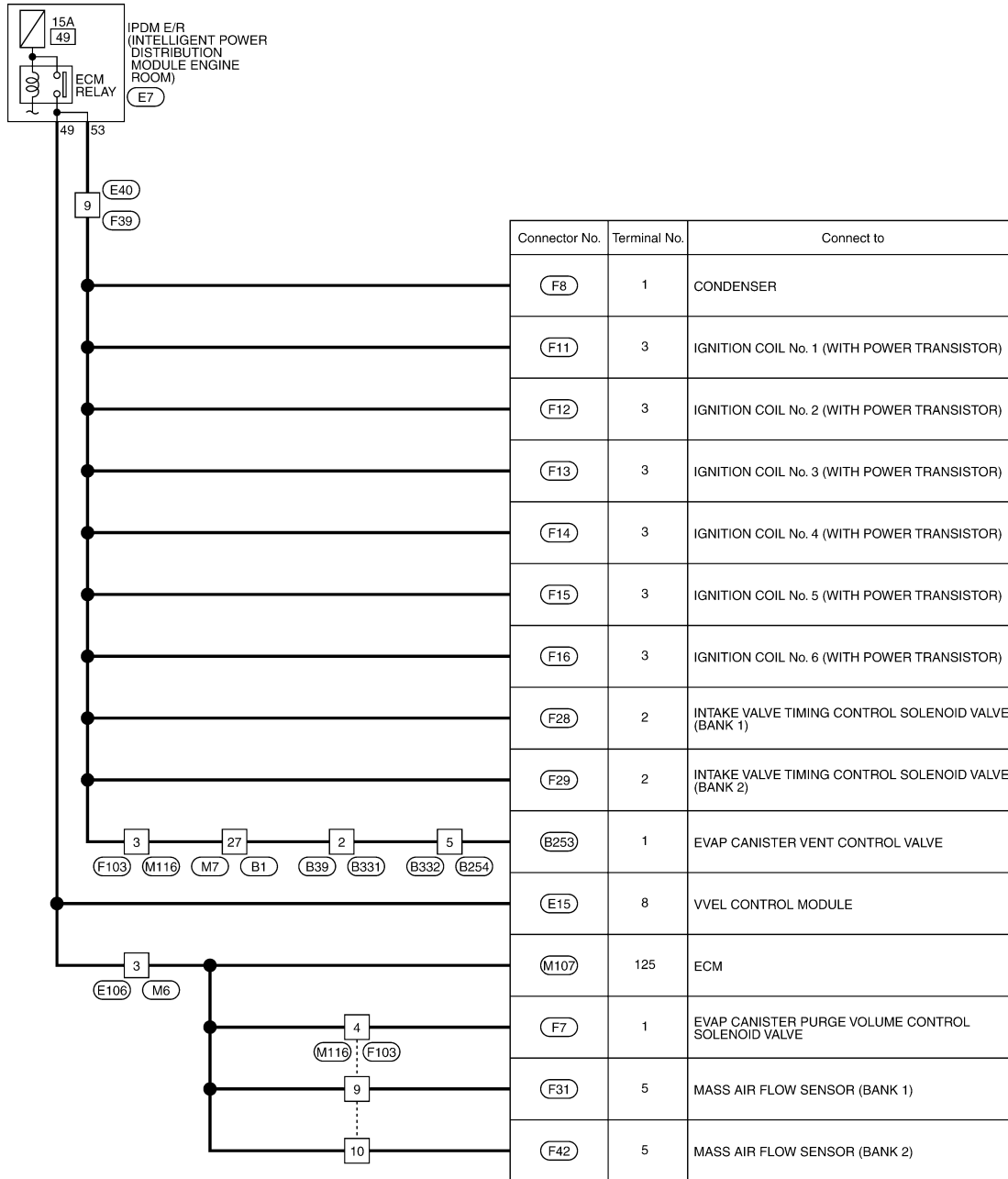
< DTC/CIRCUIT DIAGNOSIS >

[POWER SUPPLY & GROUND CIRCUIT]

Wiring Diagram - BATTERY POWER SUPPLY FUSE No. 49 -

INFOID:000000010990122

BATTERY POWER SUPPLY FUSE No. 49



2014/06/09

JRMWF9375GB

A
B
C
D
E
F
G
H
I
J
K
L
N
O
P

PG

POWER SUPPLY ROUTING CIRCUIT

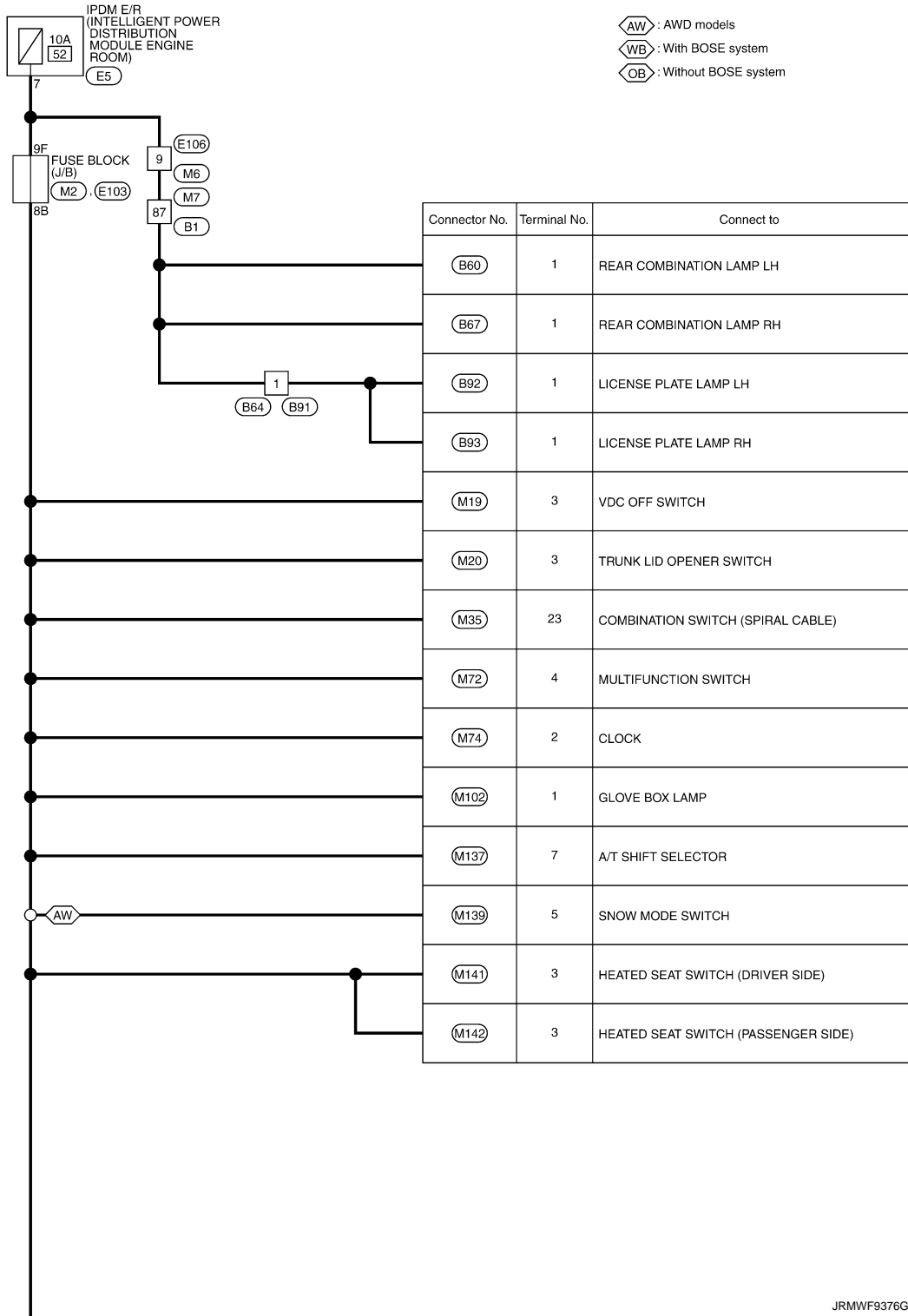
< DTC/CIRCUIT DIAGNOSIS >

[POWER SUPPLY & GROUND CIRCUIT]

Wiring Diagram - BATTERY POWER SUPPLY FUSE No. 52 -

INFOID:000000010990123

BATTERY POWER SUPPLY FUSE No. 52

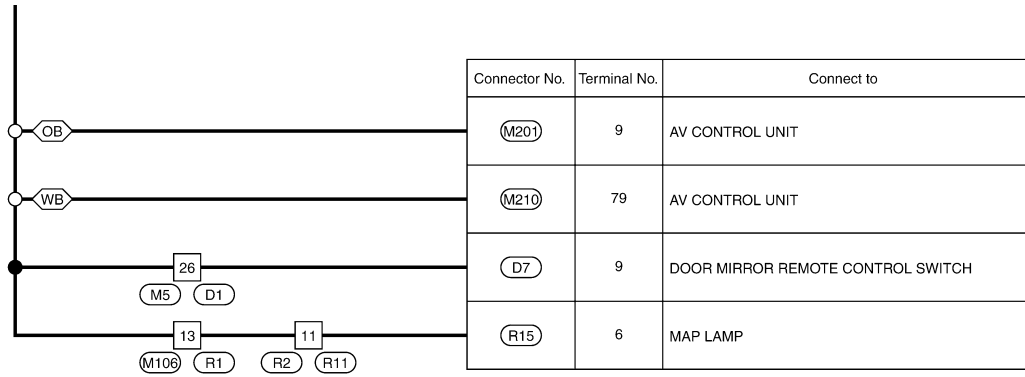


JRMWF9376GB

POWER SUPPLY ROUTING CIRCUIT

< DTC/CIRCUIT DIAGNOSIS >

[POWER SUPPLY & GROUND CIRCUIT]



A
B
C
D
E
F
G
H
I
J
K
L
N
O
P

PG

2014/06/09

JRMWF9377GB

POWER SUPPLY ROUTING CIRCUIT

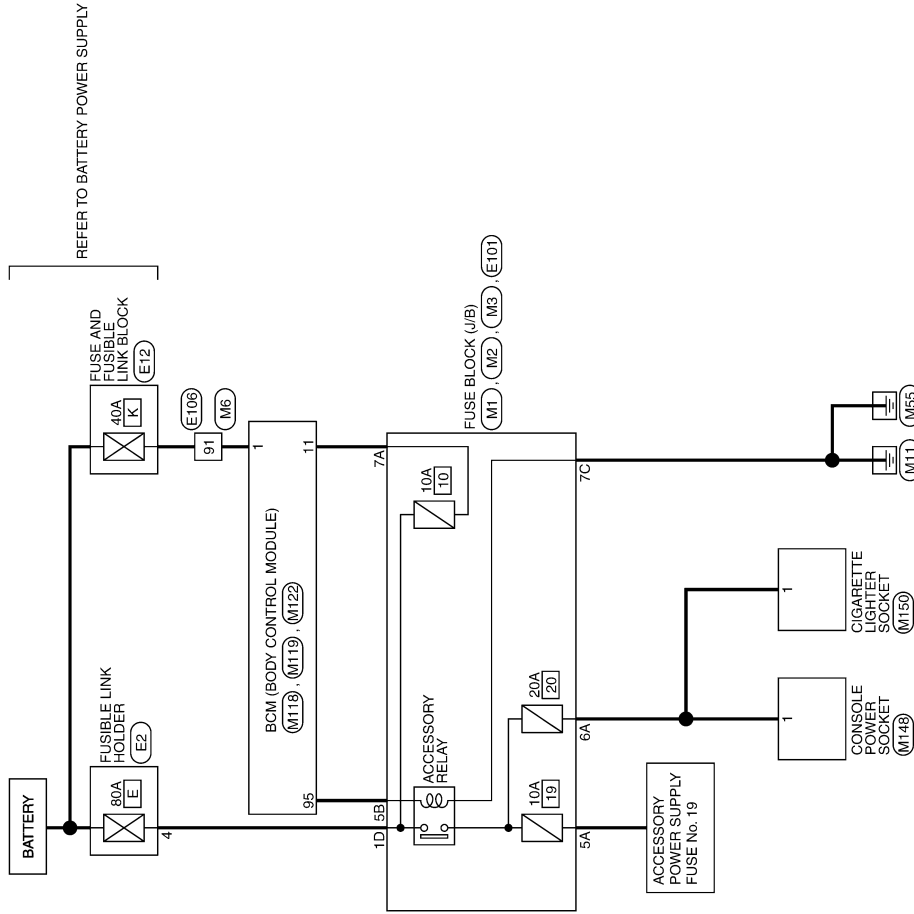
< DTC/CIRCUIT DIAGNOSIS >

[POWER SUPPLY & GROUND CIRCUIT]

Wiring Diagram - ACCESSORY POWER SUPPLY -

INFOID:000000010990124

ACCESSORY POWER SUPPLY



2014/06/09

JRMWF9378GB

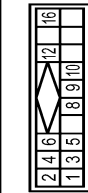
POWER SUPPLY ROUTING CIRCUIT

< DTC/CIRCUIT DIAGNOSIS >

[POWER SUPPLY & GROUND CIRCUIT]

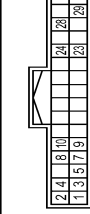
ACCESSORY POWER SUPPLY

Connector No.	B238
Connector Name	SATELLITE RADIO TUNER
Connector Type	A16FW



Terminal No.	Color	Wire	Signal Name [Specification]
1	G	G	SATELLITE RADIO SOUND SIGNAL LH (-)
2	R	R	SATELLITE RADIO SOUND SIGNAL LH (+)
3	W	W	SATELLITE RADIO SOUND SIGNAL RH (-)
4	B	B	SATELLITE RADIO SOUND SIGNAL RH (+)
5			SHIELD
6			SHIELD
8	G	G	REQUEST (SAT-CONT)
9	L	L	COMM (SAT-CONT)
10	P	P	COMM (CONT-SAT)
12	Y	Y	BATTERY
16	BG	BG	ACC

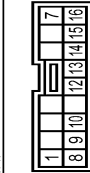
Connector No.	B237
Connector Name	TEL ADAPTER UNIT
Connector Type	TH43FW-NH



Terminal No.	Color	Wire	Signal Name [Specification]
1	GR	GR	BATTERY
2	LG	LG	ACC
3	BG	BG	IGNITION
4	B	B	GROUND
5			SHIELD
7	R	R	MICROPHONE SIGNAL
8			SHIELD
9	Y	Y	TEL VOICE SIGNAL (+)

Terminal No.	10	G	TEL VOICE SIGNAL (-)
	23	B	CONTROL SIGNAL
	24	B	CONTROL SIGNAL
	28	W	VEHICLE SPEED (3-PULSE)
	29	G	MICROPHONE VCC

Connector No.	D7
Connector Name	DOOR MIRROR REMOTE CONTROL SWITCH
Connector Type	TK16FW



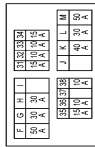
Terminal No.	Color	Wire	Signal Name [Specification]
1	B	B	
7	V	V	
8	B	B	
9	R	R	
10	G	G	
12	G	G	
13	GR	GR	
14	GR	GR	
15	BG	BG	
16	BG	BG	

Connector No.	E2
Connector Name	FUSIBLE LINK HOLDER
Connector Type	LODFGY-MC



Terminal No.	Color	Wire	Signal Name [Specification]
3	L	L	
4	R	R	

Connector No.	E12
Connector Name	FUSE AND FUSIBLE LINK BLOCK
Connector Type	Z4381 3980A



Terminal No.	Color	Wire	Signal Name [Specification]
31	SB	SB	
32	V	V	
33	GR	GR	
34	LG	LG	
35	Y	Y	
36	BG	BG	
38	P	P	
F	BR	BR	
G	W	W	
H	V	V	
K	W	W	
L	BG	BG	
M	GR	GR	

Connector No.	E101
Connector Name	FUSE BLOCK (J/B)
Connector Type	LO1FW-MC



Terminal No.	Color	Wire	Signal Name [Specification]
1D	R	R	

Connector No.	E106
Connector Name	WIRE TO WIRE
Connector Type	TH80FW-CS16-TM4



Terminal No.	Color	Wire	Signal Name [Specification]
1	GR	GR	
2	BG	BG	
3	Y	Y	
6	V	V	
7	V	V	
8	R	R	
11	V	V	
12	R	R	
13	L	L	
14	GR	GR	
15	P	P	
16	W	W	
17	SB	SB	
18	BG	BG	
20	LG	LG	
31	L	L	
32	BG	BG	
36	SB	SB	

A
B
C
D
E
F
G
H
I
J
K
L
N
O
P

PG

JRMWF9542GB

POWER SUPPLY ROUTING CIRCUIT

< DTC/CIRCUIT DIAGNOSIS >

[POWER SUPPLY & GROUND CIRCUIT]

ACCESSORY POWER SUPPLY

37	Y	--	--
38	R	--	--
39	B	--	--
40	B	--	--
41	G	--	--
42	G	--	--
43	G	--	--
44	GR	--	--
45	BR	--	--
46	LG	--	--
47	V	--	--
48	P	--	--
49	L	--	--
66	GR	--	--
67	LG	--	--
80	R	--	--
81	P	--	--
82	G	--	--
83	V	--	--
84	L	--	--
85	W	--	--
89	V	--	--
91	W	--	--
93	GR	--	--
95	LG	--	--
97	SB	--	--
98	SHIELD	--	--
99	L	--	--
100	P	--	--

Connector No.	M1
Connector Name	FUSE BLOCK (J/B)
Connector Type	INS06FW-M2



Terminal No.	Color Of Wire	Signal Name [Specification]
1A	V	--
2A	G	--
3A	L	--
4A	P	--
5A	L	--
6A	Y	--

7A	R	--	--
8A	L	--	--

Connector No.	M2
Connector Name	FUSE BLOCK (J/B)
Connector Type	INS10PW-GS



Terminal No.	Color Of Wire	Signal Name [Specification]
1B	SB	--
3B	P	--
4B	G	--
5B	BG	--
6B	Y	--
8B	R	--
9B	SB	--

Connector No.	M3
Connector Name	FUSE BLOCK (J/B)
Connector Type	INS12PW-GS



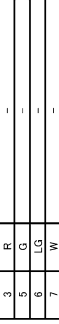
Terminal No.	Color Of Wire	Signal Name [Specification]
10C	L	--
11C	LG	--
12C	G	--
6C	SB	--
7C	B	--
8C	W	--
9C	BG	--

Connector No.	M6
Connector Name	WIRE TO WIRE
Connector Type	TH3BMMH-CS16-TM4



Terminal No.	Color Of Wire	Signal Name [Specification]
1	BG	--
3	R	--
5	G	--
6	LG	--
7	W	--
9	G	--
11	V	--
12	R	--
13	L	--
14	GR	--
15	P	--
16	W	--
17	BR	--
18	P	--
20	L	--
31	L	--
32	Y	--
33	Y	--
34	Y	--
35	Y	--
36	R	--
38	SB	--
41	V	--
42	LG	--
43	P	--
44	B	--
45	BG	--
46	G	--
47	L	--
48	P	--
49	L	--
65	Y	--
67	G	--
80	SB	--
81	B	--
82	V	--
83	W	--

Connector No.	M67
Connector Name	UNIFIED METER AND A/C AMP.
Connector Type	TH3ZFW-NH



Terminal No.	Color Of Wire	Signal Name [Specification]
1	BG	--
3	R	--
5	G	--
6	LG	--
7	W	--
9	G	--
11	V	--
12	R	--
13	L	--
14	GR	--
15	P	--
16	W	--
17	BR	--
18	P	--
20	L	--
31	L	--
32	Y	--
33	Y	--
34	Y	--
35	Y	--
36	R	--
38	SB	--
41	V	--
42	LG	--
43	P	--
44	B	--
45	BG	--
46	G	--
47	L	--
48	P	--
49	L	--
65	Y	--
67	G	--
80	SB	--
81	B	--
82	V	--
83	W	--

Connector No.	M67
Connector Name	UNIFIED METER AND A/C AMP.
Connector Type	TH3ZFW-NH



Terminal No.	Color Of Wire	Signal Name [Specification]
41	L	ACC POWER SUPPLY
42	BR	FUEL LEVEL SENSOR SIGNAL
43	BR	INTAKE SENSOR SIGNAL
44	LG	IN-VEHICLE SENSOR SIGNAL
45	Y	IN-VEHICLE SENSOR SIGNAL
46	Y	IN-VEHICLE SENSOR SIGNAL
47	W	SUNLOAD SENSOR SIGNAL
52	SB	BATTERY POWER SUPPLY
53	B	GROUND
54	B	CAN-H
55	B	CAN-H
56	L	BRAKE FLUID LEVEL SWITCH
57	LG	FUEL LEVEL SENSOR GROUND
58	Y	INTAKE SENSOR GROUND
59	GR	IN-VEHICLE SENSOR GROUND
60	W	IN-VEHICLE SENSOR GROUND
61	B	AMBIENT SENSOR GROUND
62	SB	SUNLOAD SENSOR GROUND
65	BG	ECV SIGNAL
69	P	A/C LAN SIGNAL
70	R	EACH DOOR MOTOR POWER SUPPLY
71	GR	GROUND
72	P	CAN-L

84	L	--	--
85	GR	--	--
89	LG	--	--
91	V	--	--
92	Y	--	--
95	Y	--	--
97	GR	--	--
98	SHIELD	--	--
99	V	--	--
100	SB	--	--

Connector No.	M67
Connector Name	UNIFIED METER AND A/C AMP.
Connector Type	TH3ZFW-NH



41	42	43	44	45	46	47	48	49	50	51	52	53	54	55	56	57	58	59	60	61	62	63	64	65	66	67	68	69	70	71	72
----	----	----	----	----	----	----	----	----	----	----	----	----	----	----	----	----	----	----	----	----	----	----	----	----	----	----	----	----	----	----	----

Terminal No.	Color Of Wire	Signal Name [Specification]
41	L	ACC POWER SUPPLY
42	BR	FUEL LEVEL SENSOR SIGNAL
43	BR	INTAKE SENSOR SIGNAL
44	LG	IN-VEHICLE SENSOR SIGNAL
45	Y	IN-VEHICLE SENSOR SIGNAL
46	Y	IN-VEHICLE SENSOR SIGNAL
47	W	SUNLOAD SENSOR SIGNAL
52	SB	BATTERY POWER SUPPLY
53	B	GROUND
54	B	CAN-H
55	B	CAN-H
56	L	BRAKE FLUID LEVEL SWITCH
57	LG	FUEL LEVEL SENSOR GROUND
58	Y	INTAKE SENSOR GROUND
59	GR	IN-VEHICLE SENSOR GROUND
60	W	IN-VEHICLE SENSOR GROUND
61	B	AMBIENT SENSOR GROUND
62	SB	SUNLOAD SENSOR GROUND
65	BG	ECV SIGNAL
69	P	A/C LAN SIGNAL
70	R	EACH DOOR MOTOR POWER SUPPLY
71	GR	GROUND
72	P	CAN-L

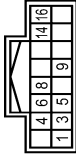
POWER SUPPLY ROUTING CIRCUIT

< DTC/CIRCUIT DIAGNOSIS >

[POWER SUPPLY & GROUND CIRCUIT]

ACCESSORY POWER SUPPLY

Connector No.	M172
Connector Name	MULTIFUNCTION SWITCH
Connector Type	TH16FW-NH



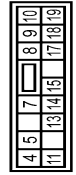
Terminal No.	Color	Wire	Signal Name [Specification]
1	B	P	GROUND
3	P	P	ACC
4	BG	B	ILL
5	B	B	ILL CONT
6	SB	L	A/V COMM (L)
8	LG	L	A/V COMM (R)
9	BR	V	SW GND
14	V	V	DISK EJECT SIGNAL
16	G	G	HAZARD ON

Connector No.	M118
Connector Name	BCM (BODY CONTROL MODULE)
Connector Type	M03FB-LC



Terminal No.	Color	Wire	Signal Name [Specification]
1	W	W	BAT (F/L)
2	Y	Y	POWER WINDOW POWER SUPPLY (BAT)
3	BG	BG	POWER WINDOW POWER SUPPLY (RAP)

Connector No.	M119
Connector Name	BCM (BODY CONTROL MODULE)
Connector Type	MS16FW-CS



Terminal No.	Color	Wire	Signal Name [Specification]
4	LG	P	INTERIOR ROOM LAMP POWER SUPPLY
5	P	P	PASSENGER DOOR UNLOCK OUTPUT
7	SB	S	STEP LAMP CONT
8	V	V	ALL DOOR, FUEL LID, LOCK OUTPUT
9	G	G	DRIVER DOOR, FUEL LID UNLOCK OUTPUT
10	P	P	REAR DOOR UNLOCK OUTPUT
11	R	R	BAT (FUSE)
13	B	B	GROUND
14	W	W	PUSH-BUTTON IGNITION SW ILL GND
15	BG	BG	ACC IND
17	W	W	TURN SIGNAL RH (FRONT)
18	BG	BG	TURN SIGNAL LH (FRONT)
19	V	V	INT ROOM LAMP CONT

Connector No.	M122
Connector Name	BCM (BODY CONTROL MODULE)
Connector Type	TH46FB-NH



Terminal No.	Color	Wire	Signal Name [Specification]
72	R	R	ROOM ANT 2-
73	G	G	ROOM ANT 2+
74	SB	S	PASSENGER DOOR ANT-
75	BR	B	PASSENGER DOOR ANT+
76	V	V	DRIVER DOOR ANT-
77	LG	L	DRIVER DOOR ANT+
78	Y	Y	ROOM ANT 1-

79	BR	R	ROOM ANT 1+
80	GR	G	MAT'S ANT AMP
81	W	W	MAT'S ANT AMP
82	SB	S	IGN RELAY (Z/B) CONT
83	Y	Y	KEYLESS ENTRY RECEIVER COMM
84	BG	BG	COMBI SW INPUT 3
85	P	P	COMBI SW INPUT 3
86	L	L	CAN-L
87	L	L	CAN-H
88	LG	L	KEY SLOT ILL CONT
89	L	L	ON IND
90	BG	BG	ACC RELAY CONT
91	R	R	A/T SHIFT SELECTOR POWER SUPPLY
92	P	P	SHIFT P
93	Y	Y	PASSENGER DOOR REQUEST SW
94	P	P	DRIVER DOOR REQUEST SW
95	BG	BG	BLOWER FAN MOTOR RELAY CONT
96	P	P	KEYLESS ENTRY RECEIVER POWER SUPPLY
97	LG	L	COMBI SW INPUT 1
98	R	R	COMBI SW INPUT 2
99	W	W	COMBI SW INPUT 4
100	G	G	HAZARD SW

Connector No.	M148
Connector Name	CONSOLE POWER SOCKET
Connector Type	P02FB-Z



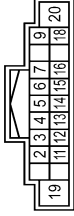
Terminal No.	Color	Wire	Signal Name [Specification]
1	Y	Y	-
2	B	B	-

Connector No.	M150
Connector Name	CIGARETTE LIGHTER SOCKET
Connector Type	P02FB-Z



Terminal No.	Color	Wire	Signal Name [Specification]
1	P	P	-
2	B	B	-

Connector No.	M201
Connector Name	AV CONTROL UNIT
Connector Type	TH18FW-CS2



Terminal No.	Color	Wire	Signal Name [Specification]
1	L	L	SOUND SIGNAL FRONT LH (+)
2	W	W	SOUND SIGNAL FRONT LH (-)
3	LG	L	SOUND SIGNAL REAR LH (+)
4	LG	L	SOUND SIGNAL REAR LH (-)
5	SB	S	SOUND SIGNAL REAR RH (+)
6	P	P	SOUND SIGNAL REAR RH (-)
7	V	V	STRG SW A
8	V	V	ACC
9	L	L	ILLUMINATION
11	BR	B	SOUND SIGNAL FRONT RH (+)
12	R	R	SOUND SIGNAL FRONT RH (-)
13	L	L	SOUND SIGNAL REAR RH (+)
14	P	P	SOUND SIGNAL REAR RH (-)
15	B	B	STRG SW GND
16	L	L	STRG SW B
18	G	G	GROUND
19	Y	Y	BATTERY
20	B	B	GROUND

A
B
C
D
E
F
G
H
I
J
K
L
O
P

PG

JRMWF9544GB

POWER SUPPLY ROUTING CIRCUIT

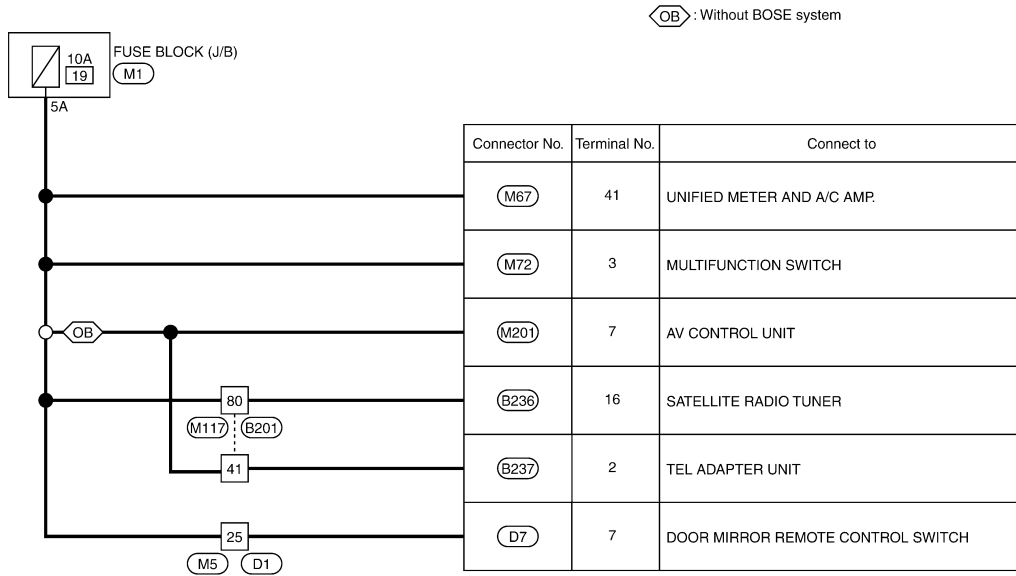
< DTC/CIRCUIT DIAGNOSIS >

[POWER SUPPLY & GROUND CIRCUIT]

Wiring Diagram - ACCESSORY POWER SUPPLY FUSE No. 19 -

INFOID:000000010990125

ACCESSORY POWER SUPPLY FUSE No. 19



2014/06/09

JRMWF9379GB

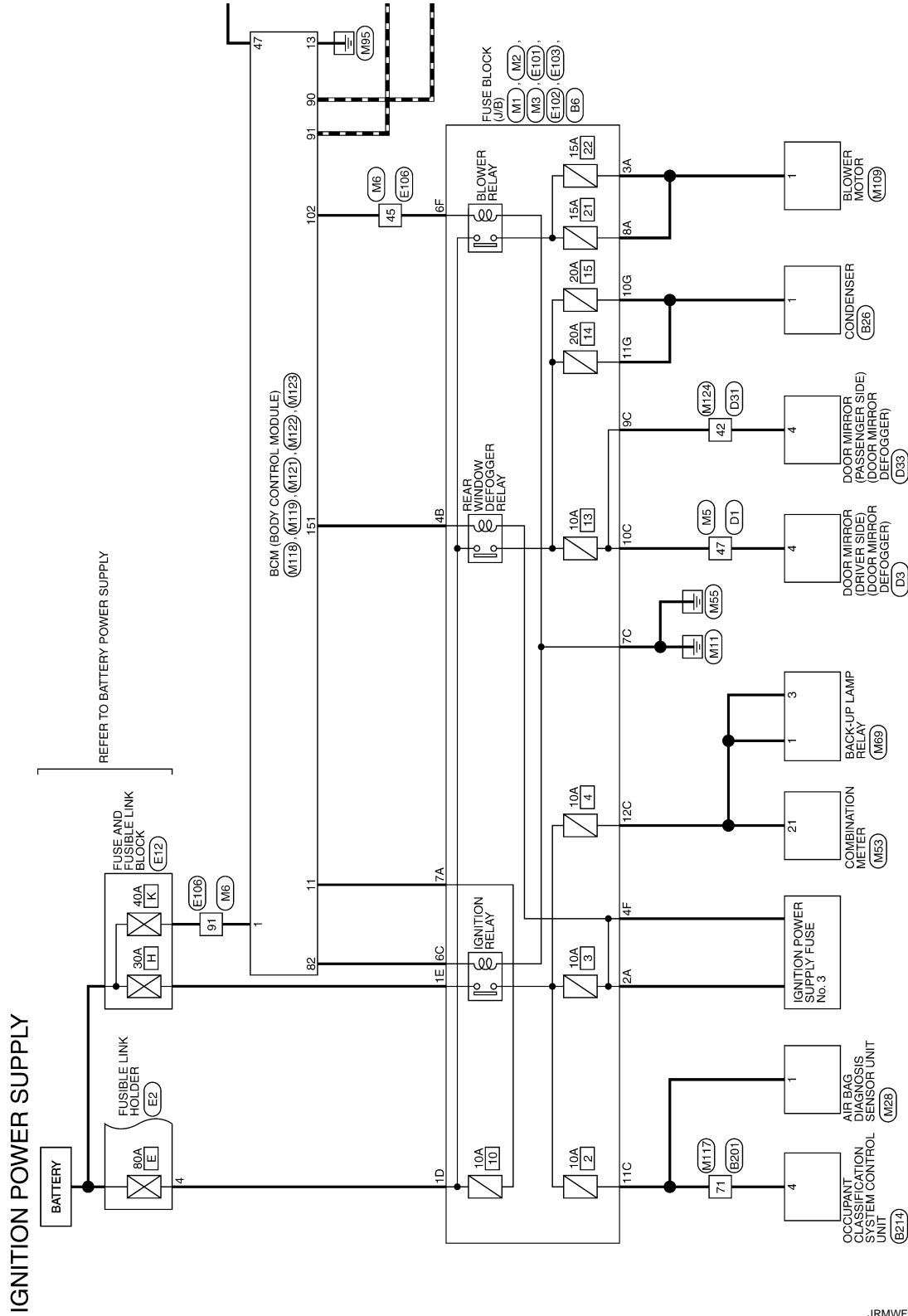
POWER SUPPLY ROUTING CIRCUIT

[POWER SUPPLY & GROUND CIRCUIT]

< DTC/CIRCUIT DIAGNOSIS >

Wiring Diagram - IGNITION POWER SUPPLY -

INFOID:0000000110990127



2014/06/09

JRMWF9380GB

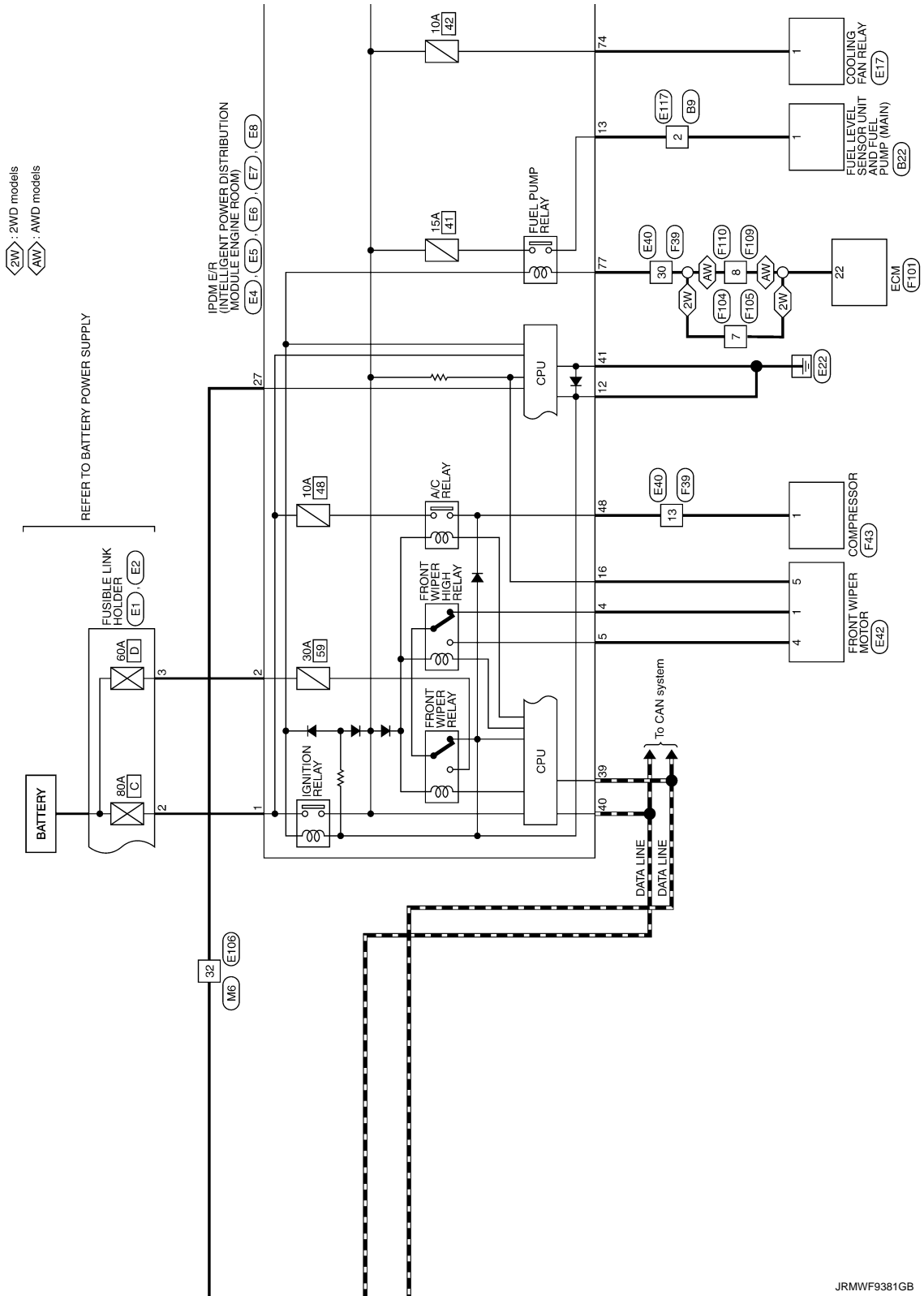
A
B
C
D
E
F
G
H
I
J
K
L
M
N
O
P

PG

POWER SUPPLY ROUTING CIRCUIT

< DTC/CIRCUIT DIAGNOSIS >

[POWER SUPPLY & GROUND CIRCUIT]



JRMWF9381GB

POWER SUPPLY ROUTING CIRCUIT

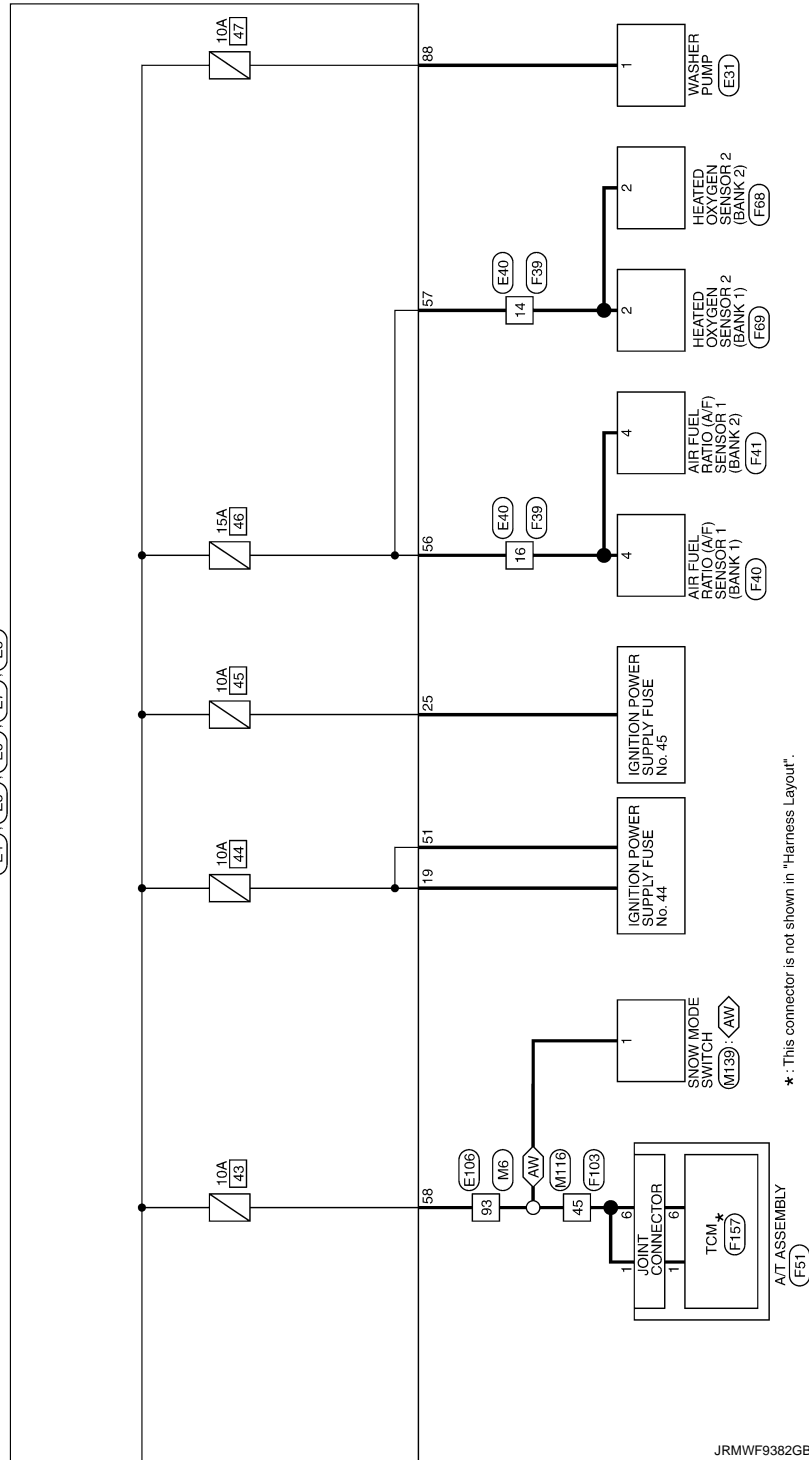
< DTC/CIRCUIT DIAGNOSIS >

[POWER SUPPLY & GROUND CIRCUIT]

AWD models

IPDME/R
(INTELLIGENT POWER DISTRIBUTION
MODULE ENGINE ROOM)

(E4) (E5) (E6) (E7) (E8)



JRMWF9382GB

A
B
C
D
E
F
G
H
I
J
K
L
PG
N
O
P

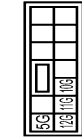
POWER SUPPLY ROUTING CIRCUIT

< DTC/CIRCUIT DIAGNOSIS >

[POWER SUPPLY & GROUND CIRCUIT]

IGNITION POWER SUPPLY

Connector No.	B59
Connector Name	FUSE BLOCK (J/B)
Connector Type	MS12FEB-CS



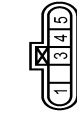
Terminal No.	Color Of Wire	Signal Name [Specification]
10G	W	-
12G	Y	-
5G	LG	-

Connector No.	B59
Connector Name	WIRE TO WIRE
Connector Type	M05FW-LC



Terminal No.	Color Of Wire	Signal Name [Specification]
2	P	-
3	GR	-
4	LG	-
5	BR	-
6	BG	-

Connector No.	B22
Connector Name	FUEL LEVEL SENSOR JMT AND FUEL PUMP (MAN)
Connector Type	ERF0Y-RS



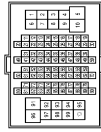
Terminal No.	Color Of Wire	Signal Name [Specification]
3	P	-
4	V	-
5	Y	-

Connector No.	B26
Connector Name	CONDENSER
Connector Type	M01FW-LC



Terminal No.	Color Of Wire	Signal Name [Specification]
1	Y	-

Connector No.	B201
Connector Name	WIRE TO WIRE
Connector Type	T480FW-CS16-TM4



Terminal No.	Color Of Wire	Signal Name [Specification]
1	BR	-
2	Y	-
3	Y	-
31	L	-
32	P	-
33	G	-
34	R	-
40	GR	-
41	LG	-
42	BG	-
43	R	-
45	G	-
46	SHIELD	-
47	G	-
48	Y	-
49	SHIELD	-
50	W	-
71	R	-
80	BG	-
81	SHIELD	-
82	G	-
83	P	-
84	L	-
85	SHIELD	-
86	G	-
87	R	-
88	W	-
89	B	-
90	Y	-
91	SHIELD	-
92	W	-
93	BG	-
94	R	-
95	S9	-
96	G	-

07	GR	-
08	BR	-
09	P	-
100	L	-

Connector No.	B214
Connector Name	ACCUPANT CLASSIFICATION SYSTEM CONTROL UNIT
Connector Type	T140BFW-NH



Terminal No.	Color Of Wire	Signal Name [Specification]
2	L	COMMUNICATION
4	R	IGN
5	B	GROUND

Connector No.	B237
Connector Name	TEL ADAPTER UNIT
Connector Type	T140BFW-NH



Terminal No.	Color Of Wire	Signal Name [Specification]
1	GR	BATTERY
2	LG	ACC
3	BG	IGNITION
4	SHIELD	SHIELD
5	SHIELD	SHIELD
7	R	MICROPHONE SIGNAL
8	SHIELD	MICROPHONE GND
9	Y	TEL VOICE SIGNAL (+)
10	G	TEL VOICE SIGNAL (-)
23	B	CONTROL SIGNAL

POWER SUPPLY ROUTING CIRCUIT

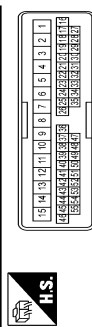
< DTC/CIRCUIT DIAGNOSIS >

[POWER SUPPLY & GROUND CIRCUIT]

IGNITION POWER SUPPLY

24	B	CONTROL SIGNAL
26	W	VEHICLE SPEED (VPLUSE)
28	G	MONITORING VCC

Connector No.	D1
Connector Name	WIRE TO WIRE
Connector Type	TH4DFW-CS15



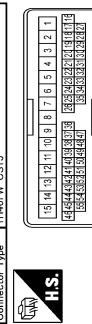
Terminal No.	Color Of Wire	Signal Name [Specification]
1	Y	-
2	B	-
3	SB	-
4	V	-
8	L	-
9	P	-
10	LG	-
12	GR	-
12	L	-
13	W	-
14	G	-
15	R	-
25	V	-
26	R	-
33	B	-
42	G	-
43	GR	-
44	BG	-
47	V	-
48	R	-
49	SB	-
50	W	-
51	P	-
52	V	-
53	G	-
54	R	-
55	SHIELD	-

Connector No.	D3
Connector Name	DOOR MIRROR (DRIVER SIDE)
Connector Type	TH2MM-NH



Terminal No.	Color Of Wire	Signal Name [Specification]
4	V	-
5	BG	-
6	L	-
7	G	-
8	B	-

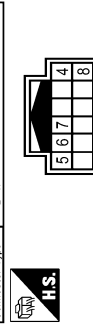
Connector No.	D31
Connector Name	WIRE TO WIRE
Connector Type	TH4DFW-CS15



Terminal No.	Color Of Wire	Signal Name [Specification]
1	Y	-
2	V	-
3	B	-
7	LG	-
8	P	-
10	L	-
11	W	-
12	G	-
14	R	-
24	G	-
26	SHIELD	-
42	L	-
47	R	-
48	R	-
49	SB	-

49	W	-
50	V	-
51	V	-
52	GR	-
53	BG	-
54	G	-

Connector No.	D33
Connector Name	DOOR MIRROR (PASSENGER SIDE)
Connector Type	TH2MM-NH



Terminal No.	Color Of Wire	Signal Name [Specification]
4	L	-
5	BG	-
6	GR	-
7	G	-
8	B	-

Connector No.	E1
Connector Name	FUSIBLE LINK HOLDER
Connector Type	LO2FB-MC



Terminal No.	Color Of Wire	Signal Name [Specification]
1	G	-
2	W	-

Connector No.	E2
Connector Name	FUSIBLE LINK HOLDER
Connector Type	LO2FB-MC



Terminal No.	Color Of Wire	Signal Name [Specification]
3	L	-
4	R	-

Connector No.	E4
Connector Name	POWER INTELLIGENT POWER DISTRIBUTION MODULE ENGINE
Connector Type	LO2FB-MC



Terminal No.	Color Of Wire	Signal Name [Specification]
1	W	-
2	L	-

JRMWF9546GB

A
B
C
D
E
F
G
H
I
J
K
L
PG
N
O
P

POWER SUPPLY ROUTING CIRCUIT

< DTC/CIRCUIT DIAGNOSIS >

[POWER SUPPLY & GROUND CIRCUIT]

IGNITION POWER SUPPLY

Connector No.	E5
Connector Name	POWER INTELLIGENT POWER DISTRIBUTION MODULE ENGINE (ROOM)
Connector Type	TH20FW-CS12-MA-1V



Terminal No.	Color Of Wire	Signal Name [Specification]
1	Y	-
2	SB	-
3	P	-
4	B/W	-
5	Y	-
6	LG	-
7	R	-
8	G	-
9	BG	-
10	L	-
11	GR	-
12	G	-

Connector No.	E6
Connector Name	POWER INTELLIGENT POWER DISTRIBUTION MODULE ENGINE (ROOM)
Connector Type	TH88FW-NH



Terminal No.	Color Of Wire	Signal Name [Specification]
38	P	-
39	L	-
40	B/W	-
41	GR	-
42	G	-
43	LG	-
44	V	-
45	-	-

Terminal No.	46	Color Of Wire	SB	Signal Name [Specification]	-
--------------	----	---------------	----	-----------------------------	---

Connector No.	E7
Connector Name	POWER INTELLIGENT POWER DISTRIBUTION MODULE ENGINE (ROOM)
Connector Type	TH20FW-CS12-M4



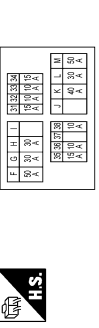
Terminal No.	Color Of Wire	Signal Name [Specification]
48	L	-
49	BG	-
50	Y	-
51	W	-
52	P	-
53	SB	-
54	G	-
55	BR	-
56	GR	-
57	GR	-
58	GR	-
59	GR	-
60	GR	-
61	GR	-
62	GR	-
63	GR	-
64	GR	-
65	GR	-
66	GR	-
67	GR	-
68	GR	-
69	GR	-
70	GR	-
71	GR	-
72	GR	-
73	GR	-
74	GR	-
75	GR	-
76	GR	-
77	GR	-
78	GR	-
79	GR	-
80	GR	-

Connector No.	E8
Connector Name	POWER INTELLIGENT POWER DISTRIBUTION MODULE ENGINE (ROOM)
Connector Type	NS08FW-CS



Terminal No.	Color Of Wire	Signal Name [Specification]
83	SB	-
84	V	-
85	W	-
86	L	-
87	G	-
88	BR	-
89	BR	-
90	P	-

Connector No.	E12
Connector Name	FUSE AND FURBIBLE LINK BLOCK
Connector Type	Z4301-7980A



Terminal No.	Color Of Wire	Signal Name [Specification]
31	SB	-
32	V	-
33	GR	-
34	GR	-
35	GR	-
36	EG	-
37	P	-
38	BR	-
39	W	-
40	W	-
41	V	-
42	W	-
43	W	-
44	W	-
45	W	-
46	W	-
47	W	-
48	W	-
49	W	-
50	W	-
51	W	-
52	W	-
53	W	-
54	W	-
55	W	-
56	W	-
57	W	-
58	W	-
59	W	-
60	W	-
61	W	-
62	W	-
63	W	-
64	W	-
65	W	-
66	W	-
67	W	-
68	W	-
69	W	-
70	W	-
71	W	-
72	W	-
73	W	-
74	W	-
75	W	-
76	W	-
77	W	-
78	W	-
79	W	-
80	W	-

Connector No.	E17
Connector Name	COOLING FAN RELAY
Connector Type	Z4347-9F900



Terminal No.	Color Of Wire	Signal Name [Specification]
1	G	-
2	GR	-
3	BR	-
4	BR	-
5	R	-

Connector No.	E31
Connector Name	WASHER PUMP
Connector Type	ED2FDY-RS



Terminal No.	Color Of Wire	Signal Name [Specification]
1	G	-
2	SB	-

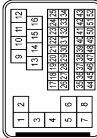
POWER SUPPLY ROUTING CIRCUIT

< DTC/CIRCUIT DIAGNOSIS >

[POWER SUPPLY & GROUND CIRCUIT]

IGNITION POWER SUPPLY

Connector No.	E40
Wire To Wire	
Connector Name	WIRE TO WIRE
Connector Type	SPA38MP-RSS-SH28



Terminal No.	Color Of Wire	Signal Name [Specification]
1	L/F	
2	SHIELD	
3	SHIELD	
4	SHIELD	
5	BR	
7	G	
8	W	
9	W	
10	Y	
11	P	
12	SB	
13	L	
14	G	
15	BG	
16	BR	
17	BR	
18	BG	
19	BG	
20	B	
21	SB	
22	W	
23	L	
24	GR	
25	V	
27	GR	
28	V	
29	P	
30	R	
31	BR	
32	G	
33	G	
34	BG	
37	SHIELD	
38	L	
39	P	
40	R	
41	W	

42	LG	
43	GR	
44	SHIELD	
46	W	
48	BR	
49	G	
50	B	
51	SB	
52	R	

Connector No.	E41
Connector Name	ABS ACTUATOR AMP ELECTRIC UNIT (CONTROL UNIT)
Connector Type	BA44ZFB-ANZ-LH



Terminal No.	Color Of Wire	Signal Name [Specification]
1	B	GROUND
2	GR	UBMR
3	BGL	UBVX
4	Y	GSXLD
5	Y	GSXLD
6	BG	DP RL
7	BR	DP RR
8	BR	DP FR
9	B	DS FR
10	W	DS FR
11	V	DIAG-K
14	P	CAN-L
25	Y	BUS-L
26	LG	DP FL
27	GR	DS RL
28	G	UZ
29	P	DS RR
30	SB	BUS
31	SB	VOP (LS) SW
34	R	GS-L
44	B	BUS-H

Connector No.	E42
Connector Name	FRONT WIPER MOTOR
Connector Type	HSBFCY



Terminal No.	Color Of Wire	Signal Name [Specification]
1	V	
2	B/W	
3	LG	

Connector No.	E101
Connector Name	FUSE BLOCK (J/B)
Connector Type	LD1FW-MC



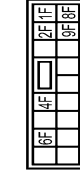
Terminal No.	Color Of Wire	Signal Name [Specification]
TD	R	

Connector No.	E102
Connector Name	FUSE BLOCK (J/B)
Connector Type	M02FB-LC



Terminal No.	Color Of Wire	Signal Name [Specification]
TE	V	

Connector No.	E103
Connector Name	FUSE BLOCK (J/B)
Connector Type	NS16FW-CS



Terminal No.	Color Of Wire	Signal Name [Specification]
1F	SB	
2F	W	
4F	G	
6F	BR	
8F	L	
9F	P	

JRMWF9548GB

A
B
C
D
E
F
G
H
I
J
K
L
PG
N
O
P

POWER SUPPLY ROUTING CIRCUIT

< DTC/CIRCUIT DIAGNOSIS >

[POWER SUPPLY & GROUND CIRCUIT]

IGNITION POWER SUPPLY

Connector No.	E106
Connector Name	WIRE TO WIRE
Connector Type	TR80FW-C516-TM4



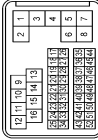
Terminal No.	Color Of Wire	Signal Name [Specification]
1	GR	-
2	LG	-
3	G	-
4	Y	-
5	W	-
6	Y	-
7	V	-
8	R	-
9	R	-
10	V	-
11	V	-
12	R	-
13	L	-
14	GR	-
15	P	-
16	W	-
17	SB	-
18	BG	-
19	LG	-
20	LG	-
21	BG	-
22	SB	-
23	SB	-
24	R	-
25	B	-
26	R	-
27	LG	-
28	G	-
29	GR	-
30	BR	-
31	LG	-
32	V	-
33	L	-
34	LG	-
35	P	-
36	G	-
37	LG	-
38	R	-
39	B	-
40	R	-
41	R	-
42	LG	-
43	G	-
44	GR	-
45	BR	-
46	BR	-
47	LG	-
48	V	-
49	L	-
50	L	-
51	GR	-
52	LG	-
53	R	-
54	P	-
55	G	-
56	G	-
57	V	-
58	V	-
59	V	-
60	V	-
61	V	-
62	V	-
63	V	-
64	V	-
65	V	-
66	V	-
67	V	-
68	V	-
69	V	-
70	V	-
71	V	-
72	V	-
73	V	-
74	V	-
75	V	-
76	V	-
77	V	-
78	V	-
79	V	-
80	R	-
81	P	-
82	G	-
83	V	-

Connector No.	E119
Connector Name	STOP LAMP SWITCH
Connector Type	M0MFW-LC



Terminal No.	Color Of Wire	Signal Name [Specification]
1	W	-
2	W	-
3	G	-
4	V	-

Connector No.	F39
Connector Name	WIRE TO WIRE
Connector Type	5AA38FB-R58-SH28



Terminal No.	Color Of Wire	Signal Name [Specification]
1	L/Y	-
2	SHIELD	-
3	L/B	-
4	SHIELD	-
5	BR	-
6	G	-
7	G	-
8	W	-
9	W	-
10	G	-
11	B	-
12	B	-
13	L	-
14	LG	-
15	R	-
16	O	-
17	Y	-



Terminal No.	Color Of Wire	Signal Name [Specification]
1	Y	-
2	Y	-
3	GR	-
4	P	-
5	BR	-
6	BG	-

18	LG	-
19	P	-
20	O	-
21	BR	-
22	G	-
23	Y	-
24	LG	-
25	V	-
26	GR	-
27	GR	-
28	BR	-
29	L	-
30	R	-
31	P	-
32	W	-
33	B	-
34	SR	- [AWD models]
35	G	- [AWD models]
36	O	- [AWD models]
37	B	- [AWD models]
38	SHIELD	- [AWD models]
39	W	-
40	Y	-
41	G	-
42	B	-
43	GR	-
44	R	-
45	O	-
46	SHIELD	-
47	W/L	-
48	LG	-
49	LG	-
50	L/Y	-
51	W	-
52	L/G	-

Connector No.	F40
Connector Name	AFR FUEL RATIO (A/F) SENSOR 1 (BANK 1)
Connector Type	RH04FDGY-P



JRMWF9549GB

POWER SUPPLY ROUTING CIRCUIT

< DTC/CIRCUIT DIAGNOSIS >

[POWER SUPPLY & GROUND CIRCUIT]

IGNITION POWER SUPPLY

Terminal No.	Color Of Wire	Signal Name [Specification]
1	B	-
2	R	-
3	W	-
4	O	- [AMD models]
4	Y	- [2WD models]

Connector No.	Color Of Wire	Signal Name [Specification]
F41		
AMP FUEL RATIO (A/F) SENSOR 1 (BANK 2)		
RH04FDGJ-P		

Terminal No.	Color Of Wire	Signal Name [Specification]
1	LG	-
2	V	-
3	SB	- [AMD models]
3	W	- [2WD models]
4	O	- [AMD models]
4	Y	- [2WD models]

Terminal No.	Color Of Wire	Signal Name [Specification]
1	LG	-
2	V	-
3	SB	- [AMD models]
3	W	- [2WD models]
4	O	- [AMD models]
4	Y	- [2WD models]

Connector No.	Color Of Wire	Signal Name [Specification]
F43		
COMPRESSOR		
R301FB		

Terminal No.	Color Of Wire	Signal Name [Specification]
1	L	-

Connector No.	Color Of Wire	Signal Name [Specification]
F44		
COMPRESSOR		
RK02FDY		

Terminal No.	Color Of Wire	Signal Name [Specification]
2	Y	-
3	O	-

Terminal No.	Color Of Wire	Signal Name [Specification]
1	B	-
2	LG	-
3	SB	-
4	O	-

Connector No.	Color Of Wire	Signal Name [Specification]
F51		
A/T ASSEMBLY		
RK10FG-DGY		

Terminal No.	Color Of Wire	Signal Name [Specification]
1	Y	-
2	R	-
3	L	-
4	V	-
5	B	-
6	G	-
7	R	-
8	P	-
9	GR	-
10	B	-

Connector No.	Color Of Wire	Signal Name [Specification]
F58		
HEATED OXYGEN SENSOR 2 (BANK 2)		
RH04MB		

Terminal No.	Color Of Wire	Signal Name [Specification]
1	B	-
2	LG	-
3	SB	-
4	O	-

Terminal No.	Color Of Wire	Signal Name [Specification]
1	B	-
2	LG	-
3	SB	-
4	O	-

Connector No.	Color Of Wire	Signal Name [Specification]
F59		
HEATED OXYGEN SENSOR 2 (BANK 1)		
RH04MB		

Terminal No.	Color Of Wire	Signal Name [Specification]
1	B	-
2	R	-
3	P	-
4	W	-

Connector No.	Color Of Wire	Signal Name [Specification]
F101		
ECM		
RH40FB-R28-L-H-Z		

Terminal No.	Color Of Wire	Signal Name [Specification]
1	W	A/F SENSOR HEATER (BANK 1)
2	G	THROTTLE CONTROL MOTOR (BANK 1)
3	G	THROTTLE CONTROL MOTOR (BANK 2)
4	BR	THROTTLE CONTROL MOTOR (CASE) (BANK 1)
5	SB	A/F SENSOR 1 HEATER (AMD MODELS)
5	W	A/F SENSOR 1 HEATER (2WD MODELS)
8	B	ECM GROUND
11	GR	IGNITION SIGNAL NO.4
12	L	IGNITION SIGNAL NO.3
15	V	IGNITION SIGNAL NO.5
16	G	IGNITION SIGNAL NO.2
17	P	HEATED OXYGEN SENSOR 2 HEATER (BANK 1)
18	W	INPAKE VALVE TIMING CONTROL SOLENOID VALVE (BANK 1)
19	SB	IGNITION SIGNAL NO.6
20	L	IGNITION SIGNAL NO.1
21	R	ECM GROUND
22	CR	FUEL PUMP RELAY
24	P	ECM RELAY (SEE SHUT-OFF)
25	BR	THROTTLE CONTROL MOTOR RELAY (AMD MODELS)
25	O	THROTTLE CONTROL MOTOR RELAY (2WD MODELS)
26	BR	VALVE ACTUATOR MOTOR RELAY (BANK 1) (CONTROL INVALVE)
29	G	INPAKE VALVE TIMING CONTROL SOLENOID VALVE (BANK 2)
30	Y	TROTTLER POSITION SENSOR 1 (BANK 1)
31	R	TROTTLER POSITION SENSOR 1 (BANK 2)
33	SB	HEATED OXYGEN SENSOR 2 HEATER (BANK 2)
34	B	TROTTLER POSITION SENSOR 2 (BANK 1)
35	W	TROTTLER POSITION SENSOR 2 (BANK 2)
36	O	SENSOR GROUND
37	W	CRANKSHAFT POSITION SENSOR
38	P	MANIFOLD AIR FLOW (MAF) SENSOR
39	D	BRAKE BOOSTER PRESSURE SENSOR
40	R	SENSOR GROUND
43	G	SENSOR POWER SUPPLY
44	L	SENSOR POWER SUPPLY
45	LG	SENSOR POWER SUPPLY
46	R	SENSOR POWER SUPPLY

A
B
C
D
E
F
G
H
I
J
K
L
M
N
O
P

PG

POWER SUPPLY ROUTING CIRCUIT

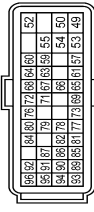
< DTC/CIRCUIT DIAGNOSIS >

[POWER SUPPLY & GROUND CIRCUIT]

IGNITION POWER SUPPLY

47	Y	SENSOR GROUND
48	B	SENSOR GROUND

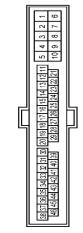
Connector No.	F102
Connector Name	ECM
Connector Type	RH40FBR-R28-L-LH-Z



Terminal No.	Color Of Wire	Signal Name [Specification]
48	GR	THROTTLE CONTROL MOTOR (CLOSE) (BANK 2)
49	GR	THROTTLE CONTROL MOTOR (OPEN) (BANK 2)
50	V	THROTTLE CONTROL MOTOR POWER SUPPLY (BANK 2)
52	R	THROTTLE CONTROL MOTOR POWER SUPPLY (BANK 2)
53	W	IGNITION SWITCH
54	Y	CAN COMMUNICATION LINE (VEL CONTROL MODULE)
55	LG	CAN COMMUNICATION LINE (VEL CONTROL MODULE)
57	L	A/F SENSOR 1 (BANK 1)
59	O	CAMSHAFT POSITION SENSOR (BANK 1) (AWD MODELS)
60	O	CAMSHAFT POSITION SENSOR (BANK 1) (2WD MODELS)
61	R	A/F SENSOR 2 (BANK 1)
62	R	CAMSHAFT POSITION SENSOR (BANK 2)
63	R	CAMSHAFT POSITION SENSOR (BANK 2)
64	SB	SENSOR POWER SUPPLY
65	LG	A/F SENSOR 1 (BANK 2)
66	V	A/F SENSOR 1 (BANK 2)
67	P	INTAKE AIR TEMPERATURE SENSOR
68	LG	SENSOR GROUND
69	W	KNOCK SENSOR (BANK 2)
71	Y	ENGINE COOLANT TEMPERATURE SENSOR
72	SHIELD	SENSOR GROUND
73	W	KNOCK SENSOR (BANK 1)
76	W	HEATED OXYGEN SENSOR Z (BANK 1)
77	SB	MASS AIR FLOW SENSOR (BANK 1)
78	G	ENGINE OIL TEMPERATURE SENSOR
79	BR	MASS AIR FLOW SENSOR (BANK 2)
80	BR	MASS AIR FLOW SENSOR (BANK 2)
81	R	HEATED OXYGEN SENSOR Z (BANK 2)
82	V	FUEL INJECTOR NO.3
83	R	FUEL INJECTOR NO.6
84	B	SENSOR GROUND
85	BR	FUEL INJECTOR NO.2
86	W	FUEL INJECTOR NO.5
87	Y	POWER STEERING PRESSURE SENSOR

88	GR	FUEL INJECTOR NO.1
89	GR	FUEL INJECTOR NO.4
91	SB	BATTERY CURRENT SENSOR
92	G	SENSOR GROUND
93	P	POWER SUPPLY FOR ECM (BACK-UP)
94	Y	SENSOR GROUND
95	G	SENSOR GROUND
96	BR	SENSOR GROUND (AWD MODELS)
98	P	SENSOR GROUND (2WD MODELS)

Connector No.	F103
Connector Name	WIRE TO WIRE
Connector Type	TK38FW-NS10



Terminal No.	Color Of Wire	Signal Name [Specification]
2	G	—
3	W	—
4	R	—
5	R	—
6	V	—
7	Y	—
8	O	—
9	O	—
10	GR	—
19	O	—
20	Y	—
28	B	—
29	LG	—
31	R	—
33	B	—
34	B	—
35	L	—
36	P	—
37	Y	—
38	G	—
39	P	—
44	P	—
45	G	—
46	V	—

Connector No.	F104
Connector Name	WIRE TO WIRE
Connector Type	TH08FW-NH



Terminal No.	Color Of Wire	Signal Name [Specification]
1	P	— [2WD models]
2	V	— [2WD models]
3	W	— [2WD models]
4	L	— [2WD models]
5	R	— [2WD models]
6	GR	— [2WD models]
7	Y	— [2WD models]
8	O	— [2WD models]

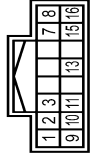
Connector No.	F105
Connector Name	WIRE TO WIRE
Connector Type	TH08MW-NH



Terminal No.	Color Of Wire	Signal Name [Specification]
1	P	— [2WD models]
2	V	— [2WD models]
3	L	— [2WD models]
4	R	— [2WD models]

4	GR	[AWD models]
5	Y	[AWD models]
6	GR	[AWD models]
7	O	[AWD models]
8	BR	[AWD models]
9	O	[2WD models]

Connector No.	F108
Connector Name	AWD CONTROL UNIT
Connector Type	TH16FW-NH



Terminal No.	Color Of Wire	Signal Name [Specification]
1	BR	AWD SOL (+)
2	Y	AWD SOL (-)
3	W	FLUID TEMP (+)
4	G	IGN
5	O	AWD SOL
6	O	AWD SOL BAT
7	O	GROUND
8	B	FLUID TEMP (+)
9	Y	BATTERY
10	P	CAN-L

JRMWF9551GB

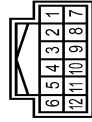
POWER SUPPLY ROUTING CIRCUIT

< DTC/CIRCUIT DIAGNOSIS >

[POWER SUPPLY & GROUND CIRCUIT]

IGNITION POWER SUPPLY

Connector No.	F109
Connector Name	WIRE TO WIRE
Connector Type	TH12PW-NH



Terminal No.	Color Of Wire	Signal Name [Specification]
1	L	[AWD models]
1	L	[AWD models]
2	GR	[AWD models]
2	GR	[AWD models]
3	R	[AWD models]
3	R	[AWD models]
4	P	[AWD models]
4	P	[AWD models]
5	BR	[AWD models]
5	BR	[AWD models]
6	G	[AWD models]
6	G	[AWD models]
7	BR	[AWD models]
7	BR	[AWD models]
8	R	[AWD models]
8	R	[AWD models]
9	GR	[AWD models]
9	GR	[AWD models]
10	V	[AWD models]
10	V	[AWD models]
11	SB	[AWD models]
11	SB	[AWD models]

Connector No.	F110
Connector Name	WIRE TO WIRE
Connector Type	TH12MW-NH



Terminal No.	Color Of Wire	Signal Name [Specification]
1	Y	[AWD models]
1	Y	[AWD models]
2	GR	[AWD models]
2	GR	[AWD models]
3	L	[AWD models]
3	L	[AWD models]
4	P	[AWD models]
4	P	[AWD models]
5	BR	[AWD models]
5	BR	[AWD models]
6	Y	[AWD models]
6	Y	[AWD models]
7	BR	[AWD models]
7	BR	[AWD models]
8	GR	[AWD models]
8	GR	[AWD models]
9	CO	[AWD models]
9	CO	[AWD models]
10	V	[AWD models]
10	V	[AWD models]
11	SB	[AWD models]
11	SB	[AWD models]

Connector No.	F121
Connector Name	FUEL INJECTOR No. 1
Connector Type	HS02FGY



Terminal No.	Color Of Wire	Signal Name [Specification]
1	G	
2	GR	

Connector No.	F122
Connector Name	FUEL INJECTOR No. 2
Connector Type	HS02FGY



Terminal No.	Color Of Wire	Signal Name [Specification]
1	G	
2	BR	

Connector No.	F123
Connector Name	FUEL INJECTOR No. 3
Connector Type	HS02FGY



Terminal No.	Color Of Wire	Signal Name [Specification]
1	G	
2	R	

Connector No.	F124
Connector Name	FUEL INJECTOR No. 4
Connector Type	HS02FGY



Terminal No.	Color Of Wire	Signal Name [Specification]
1	G	
2	BG	

Connector No.	F125
Connector Name	FUEL INJECTOR No. 5
Connector Type	HS02FGY



Terminal No.	Color Of Wire	Signal Name [Specification]
1	G	
2	W	

A
B
C
D
E
F
G
H
I
J
K
L
PG
N
O
P

POWER SUPPLY ROUTING CIRCUIT

< DTC/CIRCUIT DIAGNOSIS >

[POWER SUPPLY & GROUND CIRCUIT]

IGNITION POWER SUPPLY

Connector No.	F126
Connector Name	FUEL INJECTOR No. 6
Connector Type	HS302FY



Terminal No.	Color Of Wire	Signal Name [Specification]
1	G	-
2	Y	-

Connector No.	F157
Connector Name	TCM
Connector Type	SP10DFG



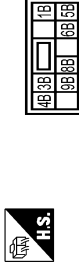
Terminal No.	Color Of Wire	Signal Name [Specification]
1	SHIELD	VIGN
2	SHIELD	BATT
3	SHIELD	CAN-H
4	SHIELD	K-LINE
5	SHIELD	GROUND
6	SHIELD	VIGN
7	SHIELD	REV LAMP RLY
8	SHIELD	CAN-L
9	SHIELD	STARTER RLY
10	SHIELD	GROUND

Connector No.	M1
Connector Name	FUSE BLOCK (J/B)
Connector Type	HS18FW-M2



Terminal No.	Color Of Wire	Signal Name [Specification]
1A	Y	-
2A	G	-
3A	P	-
4A	L	-
5A	Y	-
7A	R	-
8A	L	-

Connector No.	M2
Connector Name	FUSE BLOCK (J/B)
Connector Type	HS10FW-CS



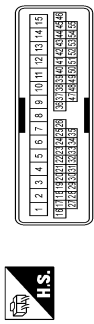
Terminal No.	Color Of Wire	Signal Name [Specification]
1B	SB	-
2B	P	-
3B	G	-
4B	EG	-
5B	B	-
6B	R	-
7B	SS	-

Connector No.	M3
Connector Name	FUSE BLOCK (J/B)
Connector Type	NS17FW-CS



Terminal No.	Color Of Wire	Signal Name [Specification]
12C	L	-
13C	G	-
14C	SB	-
15C	W	-
16C	B	-
17C	EG	-
18C	W	-
19C	EG	-

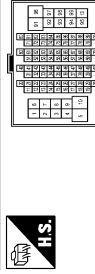
Connector No.	M5
Connector Name	WIRE TO WIRE
Connector Type	TH40MW-CS15



Terminal No.	Color Of Wire	Signal Name [Specification]
1	Y	-
2	B	-
3	EG	-
4	V	-
5	W	-
6	SB	-
7	G	-
8	Y	-
9	L	-
10	W	-
11	B	-
12	W	-
13	W	-
14	B	-
15	W	-
16	Y	-
17	G	-
18	R	-
19	G	-
20	G	-

33	B	-
34	Y	-
35	L	-
36	L	-
37	L	-
38	GR	-
39	SB	-
40	P	-
41	LG	-
42	V	-
43	BR	-
44	Y	-
45	SHIELD	-

Connector No.	M6
Connector Name	WIRE TO WIRE
Connector Type	TH80MW-CS16-TM4



Terminal No.	Color Of Wire	Signal Name [Specification]
1	BR	-
2	R	-
3	R	-
4	R	-
5	R	-
6	LG	-
7	W	-
8	G	-
9	V	-
10	V	-
11	V	-
12	R	-
13	L	-
14	GR	-
15	P	-
16	W	-
17	BR	-
18	P	-
19	L	-
20	L	-
21	L	-
22	Y	-
23	Y	-
24	Y	-
25	Y	-
26	R	-
27	R	-
28	R	-
29	SB	-

POWER SUPPLY ROUTING CIRCUIT

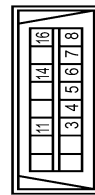
< DTC/CIRCUIT DIAGNOSIS >

[POWER SUPPLY & GROUND CIRCUIT]

IGNITION POWER SUPPLY

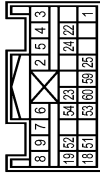
Terminal No.	Color	Wire	Signal Name [Specification]
41	V		
42	G		
43	B		
44	B		
45	BG		
46	G		
47	L		
48	P		
49	L		
66	Y		
67	G		
80	SB		
81	B		
82	V		
83	W		
84	GR		
85	GR		
86	GR		
87	GR		
88	GR		
89	GR		
90	GR		
91	W		
92	Y		
93	Y		
95	Y		
97	GR		
98	SHIELD		
99	V		
100	SB		

Connector No.	M24
Connector Name	DATA LINK CONNECTOR
Connector Type	BD16FW-P



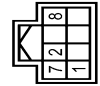
Terminal No.	Color	Wire	Signal Name [Specification]
3	LG		
4	B		
5	B		
6	B		
7	V		
8	G		
11	SB		
14	P		
16	R		

Connector No.	M26
Connector Name	AIR BAG DIAGNOSIS SENSOR UNIT
Connector Type	HR8FY-EX



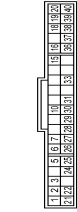
Terminal No.	Color	Wire	Signal Name [Specification]
1	LG		
2	B		
3	Y		
4	Y		
5	Y		
6	Y		
7	Y		
8	Y		
9	Y		
18	SB		
19	V		
22	SHIELD		
23	LG		
24	G		
25	R		
32	C		
33	Y		
34	BR		
59	L		
60	P		

Connector No.	M37
Connector Name	STEERING ANGLE SENSOR
Connector Type	TR8BFW-NH



Terminal No.	Color	Wire	Signal Name [Specification]
1	L		CAN-H
2	B		GROUND
3	B		IGN

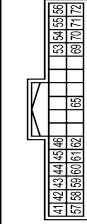
Connector No.	M43
Connector Name	COMBINATION METER
Connector Type	SAB40FW



Terminal No.	Color	Wire	Signal Name [Specification]
1	V		BATTERY POWER SUPPLY
2	LG		COMMUNICATION SIGNAL (METER-AMP.)
3	GR		COMMUNICATION SIGNAL (AMP-METER)
5	B		GROUND
6	W		ALTERNATOR SIGNAL
7	LG		AIR BAG SIGNAL
10	W		SECURITY SIGNAL
15	B		GROUND
16	BR		METER CONTROL SWITCH GROUND
18	GR		ILLUMINATION SIGNAL
20	R		ILL
21	G		IGNITION SIGNAL
22	B		GROUND
24	BR		COMMUNICATION SIGNAL (LCD-AMP.)
25	Y		COMMUNICATION SIGNAL (AMP-LCD)

Terminal No.	Color	Wire	Signal Name [Specification]
26	R		VEHICLE SPEED SIGNAL (P-PULSE)
27	R		PHASE SIGNAL
28	SB		STOP SIGNAL
29	B		SEAT BELT BUCKLE SW SIGNAL (DRIVER SIDE)
30	P		SEAT BELT BUCKLE SWITCH SIGNAL (PASSENGER SIDE)
31	L		WASHER LEVEL SWITCH SIGNAL
33	R		ILLUMINATION CONTROL SIGNAL
36	LG		SELECT SWITCH SIGNAL
37	Y		ENTER SWITCH SIGNAL
38	G		TRIP A/B RESET SWITCH SIGNAL
39	P		ILLUMINATION CONTROL SWITCH SIGNAL (-)
40	BG		ILLUMINATION CONTROL SWITCH SIGNAL (+)

Connector No.	M67
Connector Name	UNIFIED METER AND A/C AMP.
Connector Type	TR82FW-NH



Terminal No.	Color	Wire	Signal Name [Specification]
41	B		ACC POWER SUPPLY
42	BR		FUEL PUMP RELAY SIGNAL
43	BR		FUEL PUMP RELAY SIGNAL
44	LG		IN-VEHICLE SENSOR SIGNAL
45	V		AMBIENT SENSOR SIGNAL
46	Y		SUNLOAD SENSOR SIGNAL
53	W		IGNITION POWER SUPPLY
54	SB		BATTERY POWER SUPPLY
55	B		GROUND
56	L		CAN-H
57	LG		BRAKE FLUID LEVEL SWITCH
58	Y		FUEL LEVEL SENSOR GROUND
59	GR		INTAKE SENSOR GROUND
60	W		IN-VEHICLE SENSOR GROUND
61	B		AMBIENT SENSOR GROUND
62	B		SUNLOAD SENSOR GROUND
63	GR		ILLUMINATION SIGNAL
68	P		A/C LAM SIGNAL
70	R		EACH DOOR MOTOR POWER SUPPLY
71	GR		GROUND
72	P		CAN-L

A
B
C
D
E
F
G
H
I
J
K
L
N
O
P

PG

POWER SUPPLY ROUTING CIRCUIT

< DTC/CIRCUIT DIAGNOSIS >

[POWER SUPPLY & GROUND CIRCUIT]

IGNITION POWER SUPPLY

Connector No.	M169
Connector Name	BACK-UP LAMP RELAY
Connector Type	MS02FL-M2-LG



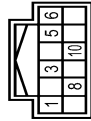
Terminal No.	Color	Wire	Signal Name [Specification]
1	R	-	-
2	R	-	-
3	LG	-	-
5	BG	-	-

Connector No.	M170
Connector Name	HEATED SEAT RELAY
Connector Type	MS02FL-M2-LG



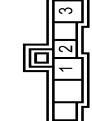
Terminal No.	Color	Wire	Signal Name [Specification]
1	G	-	-
2	P	-	-
3	G	-	-
5	LG	-	-

Connector No.	M108
Connector Name	POWER STEERING CONTROL UNIT
Connector Type	TH12PW-NH



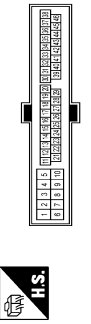
Terminal No.	Color	Wire	Signal Name [Specification]
1	LG	-	SOL
3	B	-	YGN
5	B	-	SOL GND
6	B	-	GROUND
8	SB	-	VSP
10	R	-	TACH-C

Connector No.	M109
Connector Name	BLOWER MOTOR
Connector Type	NS03PW-M3



Terminal No.	Color	Wire	Signal Name [Specification]
1	L	-	-
2	P	-	-
3	B	-	-

Connector No.	M116
Connector Name	WIRE TO WIRE
Connector Type	TK3BMW-NS-0



Terminal No.	Color	Wire	Signal Name [Specification]
2	W	-	-
4	BS	-	-
5	B	-	-
9	R	-	-
10	R	-	-
19	BG	-	-
20	Y	-	-
28	B	-	-
29	LG	-	-
31	W	-	-
33	B	-	-
34	B	-	-
35	L	-	-
39	R	-	-
38	SB	-	-
43	P	-	-
44	L	-	-
45	Y	-	-
46	SB	-	-

Connector No.	M117
Connector Name	WIRE TO WIRE
Connector Type	TK80MK-CS1E-TM4



Terminal No.	Color	Wire	Signal Name [Specification]
1	G	-	-
8	G	-	-
7	SB	-	-
31	SB	-	-
32	LG	-	-
33	SB	-	-
34	LG	-	-
40	Y	-	-
41	G	-	-
42	LG	-	-
43	R	-	-
45	G	-	-
46	SHIELD	-	-
47	P	-	-
48	SHIELD	-	-
56	V	-	-
59	R	-	-
71	R	-	-
80	W	-	-
81	SHIELD	-	-
82	P	-	-
83	L	-	-
84	G	-	-
85	SHIELD	-	-
86	W	-	-
87	B	-	-
88	R	-	-
89	G	-	-
90	Y	-	-
91	V	-	-
92	BR	-	-
93	V	-	-
94	Y	-	-
95	G	-	-
96	G	-	-

JRMWF9555GB

POWER SUPPLY ROUTING CIRCUIT

< DTC/CIRCUIT DIAGNOSIS >

[POWER SUPPLY & GROUND CIRCUIT]

IGNITION POWER SUPPLY

97	R	-	-
98	BG	-	-
100	L	-	-

Connector No.	M118
Connector Name	BCM (BODY CONTROL MODULE)
Connector Type	M03FB-LC



Terminal No.	Color Of Wire	Signal Name [Specification]
1	W	BAT.(F/L)
2	W	POWER WINDOW POWER SUPPLY (BAT)
3	BG	POWER WINDOW POWER SUPPLY (RAP)

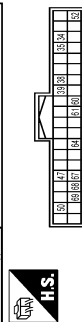
Connector No.	M119
Connector Name	BCM (BODY CONTROL MODULE)
Connector Type	NS16FY-CS



Terminal No.	Color Of Wire	Signal Name [Specification]
4	LG	INTERIOR ROOM LAMP POWER SUPPLY
5	P	PASSENGER DOOR UNLOCK OUTPUT
7	SB	STEP LAMP CONT
8	V	ALL DOOR FUEL LID LOCK OUTPUT
9	V	DRIVER DOOR FUEL LID LOCK OUTPUT
10	P	REAR DOOR UNLOCK OUTPUT
11	R	BAT FEUSE
13	B	GROUND
14	W	PUSH-BUTTON IGNITION SW ILL GND
15	BG	ACC IND
17	W	TURN SIGNAL RH (FRONT)

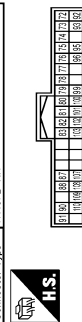
18	BG	TURN SIGNAL LI (FRONT)
19	V	INT ROOM LAMP CONT

Connector No.	M121
Connector Name	BCM (BODY CONTROL MODULE)
Connector Type	TH40FY-NH



Terminal No.	Color Of Wire	Signal Name [Specification]
34	SB	TRUNK ROOM ANT-
35	V	TRUNK ROOM ANT+
38	B	REAR BUMPER ANT-
39	W	REAR BUMPER ANT+
47	Y	IGN RELAY (PDM E/R) CONT
50	BG	TRUNK ROOM LAMP SW
52	R	STARTER RELAY CONT
60	BR	PUSH SW
61	SB	TRUNK LID OPENER REQUEST SW
64	G	I-KEY MARK LEIDZER (ENG ROOM)
67	GR	TRUNK LID OPENER SW
68	BG	REAR LH DOOR SW
69	L	REAR LH DOOR SW

Connector No.	M122
Connector Name	BCM (BODY CONTROL MODULE)
Connector Type	TH40FB-NH

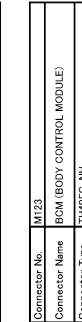


Terminal No.	Color Of Wire	Signal Name [Specification]
72	R	ROOM ANT-2
73	G	ROOM ANT 2+
74	SB	PASSENGER DOOR ANT-

75	BR	PASSENGER DOOR ANT+
76	V	DRIVER DOOR ANT-
77	L	DRIVER DOOR ANT+
78	V	ROOM ANT 1+
79	BR	ROOM ANT 1+
80	GR	MATS ANT AMP
81	W	MATS ANT AMP
82	SB	IGN RELAY (F/B) CONT
83	Y	KEYLESS ENTRY RECEIVER COMM
87	Y	COMBI SW INPUT 5
88	BG	COMBI SW INPUT 3
90	P	CAN-L
91	L	CAN-H
92	LG	KEY SLOT ILL CONT
93	GR	IGN IND
94	BG	ACC RELAY CONT
95	GR	A.T SHIFT SELECTOR POWER SUPPLY
99	R	SHFT P
100	Y	PASSENGER DOOR REQUEST SW
101	P	DRIVER DOOR REQUEST SW
102	BG	BLOWER FAN MOTOR RELAY CONT
103	P	KEYLESS ENTRY RECEIVER POWER SUPPLY
107	LG	COMBI SW INPUT 1
108	R	COMBI SW INPUT 4
109	W	COMBI SW INPUT 2
110	G	HAZARD SW



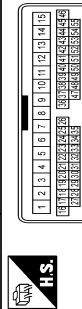
Connector No.	M123
Connector Name	BCM (BODY CONTROL MODULE)
Connector Type	TH40BG-NH



Terminal No.	Color Of Wire	Signal Name [Specification]
113	BG	OPTICAL SENSOR
118	BG	STOP LAMP SW 2
119	SB	DR DOOR UNLOCK SENSOR
121	SB	KEY SLOT SW
123	V	IGN F/B
124	R	PASSENGER DOOR SW
129	BG	TRUNK LID OPENER CANCEL SW

132	V	POWER WINDOW SW COMM
133	BG	PUSH-BUTTON IGNITION SW ILL POWER
137	BG	RECEIVER / SENSOR GND
138	V	RECEIVER / SENSOR POWER SUPPLY
139	L	TIRE PRESSURE RECEIVER COMM
140	B	SHFT N/P
141	W	SECURITY IND LAMP CONT
142	BR	COMBI SW OUTPUT 5
143	P	COMBI SW OUTPUT 1
144	G	COMBI SW OUTPUT 2
145	L	COMBI SW OUTPUT 3
146	SB	COMBI SW OUTPUT 4
150	GR	DRIVER DOOR SW
151	G	REAR WINDOW DEFROGGER RELAY CONT

Connector No.	M124
Connector Name	WIRE TO WIRE
Connector Type	TH40MW-CS15



Terminal No.	Color Of Wire	Signal Name [Specification]
1	W	-
2	GR	-
3	B	-
7	V	-
8	P	-
10	BR	-
11	R	-
12	G	-
13	R	-
24	R	-
25	G	-
26	SHIELD	-
42	BG	-
43	BG	-
48	P	-
48	Y	-
50	BR	-
51	SB	-
52	L	-

A
B
C
D
E
F
G
H
I
J
K
L
N
O
P

PG

JRMWF9556GB

POWER SUPPLY ROUTING CIRCUIT

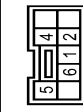
< DTC/CIRCUIT DIAGNOSIS >

[POWER SUPPLY & GROUND CIRCUIT]

IGNITION POWER SUPPLY

33	L	-
34	Y	-

Connector No.	M139
Connector Name	SHOW MODE SWITCH
Connector Type	TK08FW



Terminal No.	Color Of Wire	Signal Name [Specification]
1	R	-
2	GR	-
4	Y	-
5	P	-
6	B	-

Connector No.	M141
Connector Name	HEATED SEAT SWITCH (DRIVER SIDE)
Connector Type	TK10PW



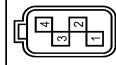
Terminal No.	Color Of Wire	Signal Name [Specification]
1	L	-
2	GR	-
3	R	-
4	G	-
5	B	-
6	B	-

Connector No.	M142
Connector Name	HEATED SEAT SWITCH (PASSENGER SIDE)
Connector Type	TK08FB



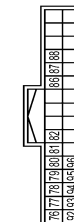
Terminal No.	Color Of Wire	Signal Name [Specification]
1	LG	-
2	SG	-
3	Y	-
4	B	-
5	BG	-
6	B	-

Connector No.	M143
Connector Name	YAW RATE / SIDE G SENSOR
Connector Type	AAZ04FB-S



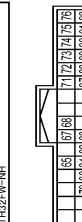
Terminal No.	Color Of Wire	Signal Name [Specification]
1	B	-
2	Y	-
3	SB	-
4	G	-

Connector No.	M204
Connector Name	AV CONTROL UNIT
Connector Type	TH32FW-NH



Terminal No.	Color Of Wire	Signal Name [Specification]
70	LG	AV COMM (L)
71	SG	AV COMM (L)
72	LG	AV COMM (H)
73	LG	AV COMM (L)
74	SB	AV COMM (H)
79	P	CAN-L
80	L	CAN-H
81	L	SW GND
82	BR	SHIELD
86	SHIELD	SHIELD
87	L	TEL VOICE SIGNAL (+)
88	P	TEL VOICE SIGNAL (-)
92	R	VEHICLE SPEED (S-PULSE)
93	SB	PARKING BRAKE
94	BG	REVERSE
95	G	IGNITION
96	V	EJECT SIGNAL

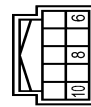
Connector No.	M210
Connector Name	AV CONTROL UNIT
Connector Type	TH32FW-NH



Terminal No.	Color Of Wire	Signal Name [Specification]
65	SB	PARKING BRAKE
67	P	COMPOSITE IMAGE GND
68	L	COMPOSITE IMAGE SIGNAL
71	SHIELD	MICROPHONE GND
72	G	MICROPHONE VCC

73	P	COMM (CONT-DISP)
74	P	COMM (CONT-DISP)
75	LG	AV COMM (L)
76	LG	AV COMM (L)
77	LG	AV COMM (L)
78	L	ILLUMINATION
79	L	IGNITION
80	G	REVERSE
81	BG	VEHICLE SPEED (S-PULSE)
82	R	SHIELD
83	SHIELD	SHIELD
87	R	MICROPHONE SIGNAL
88	SHIELD	SHIELD
89	L	COMM (DISP-CONT)
90	L	CAN-H
91	SB	AV COMM (H)
92	SB	AV COMM (H)

Connector No.	R3
Connector Name	AUTO INTF-DAZZLING INSIDE MIRROR
Connector Type	TH10FB-NH



Terminal No.	Color Of Wire	Signal Name [Specification]
6	BR	IGN
8	B	GROUND
10	GR	BAT

POWER SUPPLY ROUTING CIRCUIT

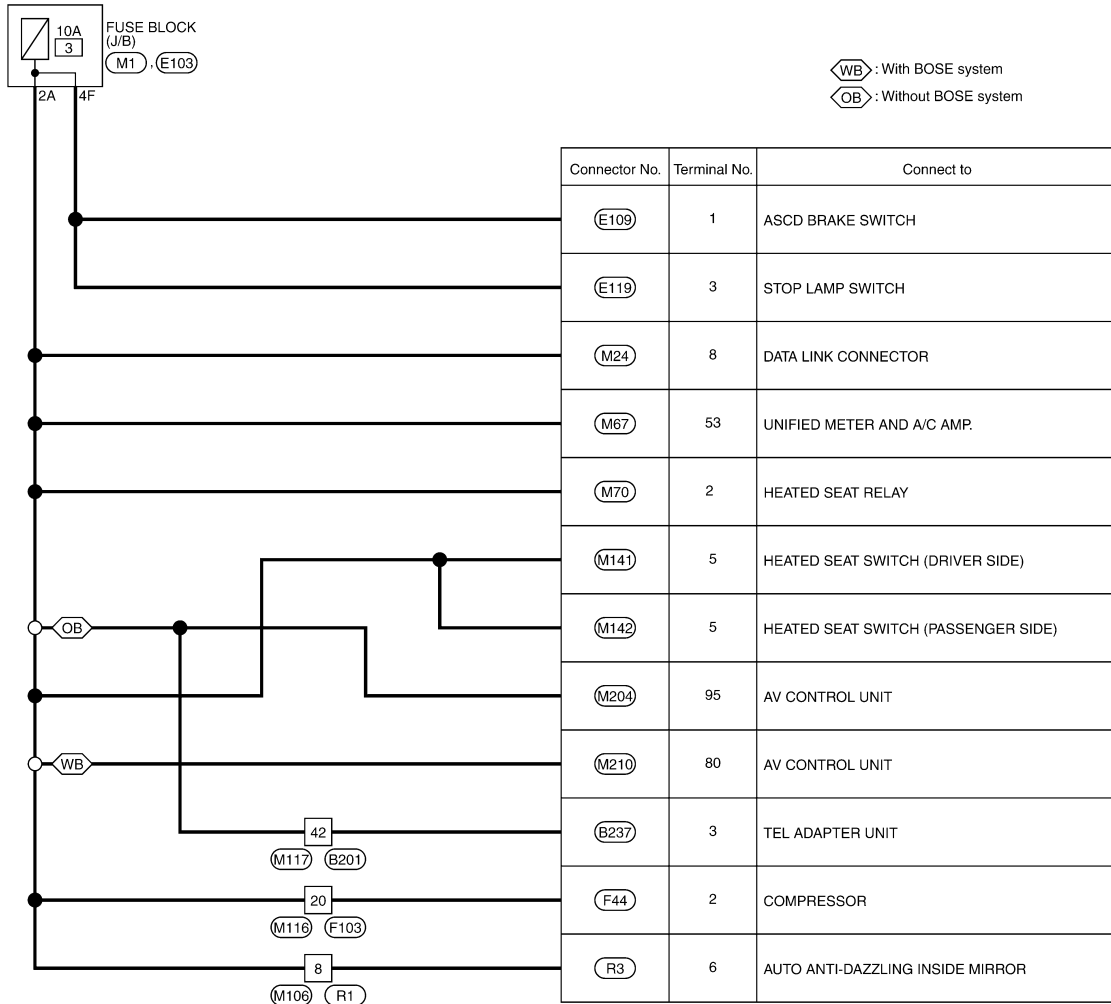
< DTC/CIRCUIT DIAGNOSIS >

[POWER SUPPLY & GROUND CIRCUIT]

Wiring Diagram - IGNITION POWER SUPPLY FUSE No. 3 -

INFOID:000000010990128

IGNITION POWER SUPPLY FUSE No. 3



A
B
C
D
E
F
G
H
I
J
K
L
N
O
P

PG

2014/06/09

JRMWF9383GB

POWER SUPPLY ROUTING CIRCUIT

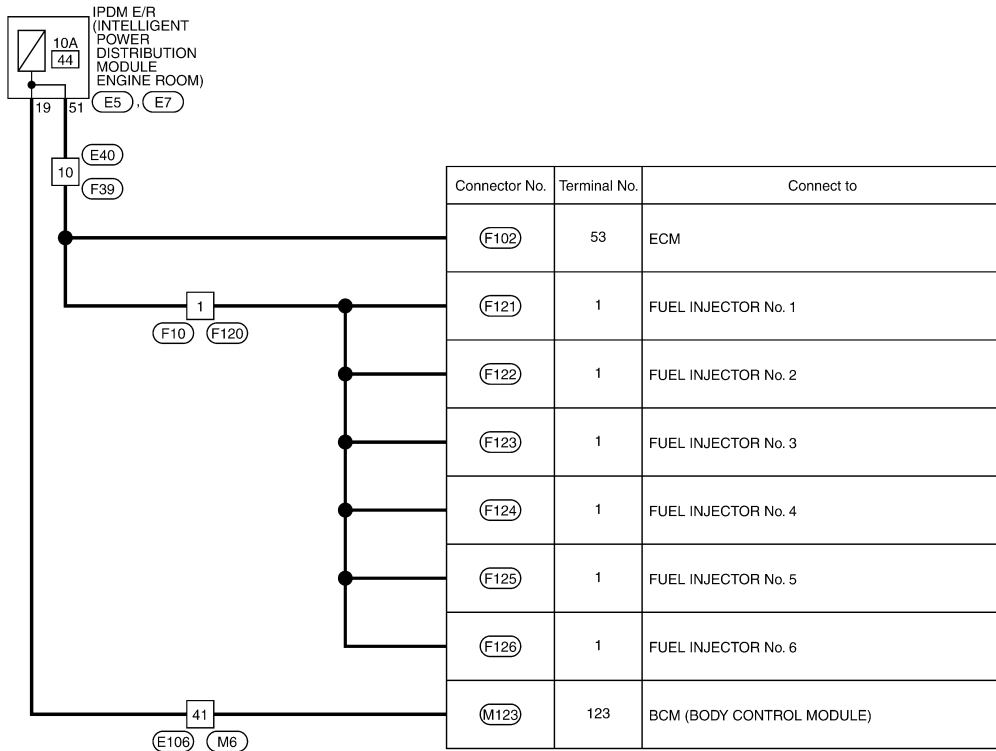
< DTC/CIRCUIT DIAGNOSIS >

[POWER SUPPLY & GROUND CIRCUIT]

Wiring Diagram - IGNITION POWER SUPPLY FUSE No. 44 -

INFOID:000000010990130

IGNITION POWER SUPPLY FUSE No. 44



2014/06/09

JRMWF9384GB

POWER SUPPLY ROUTING CIRCUIT

< DTC/CIRCUIT DIAGNOSIS >

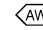
[POWER SUPPLY & GROUND CIRCUIT]

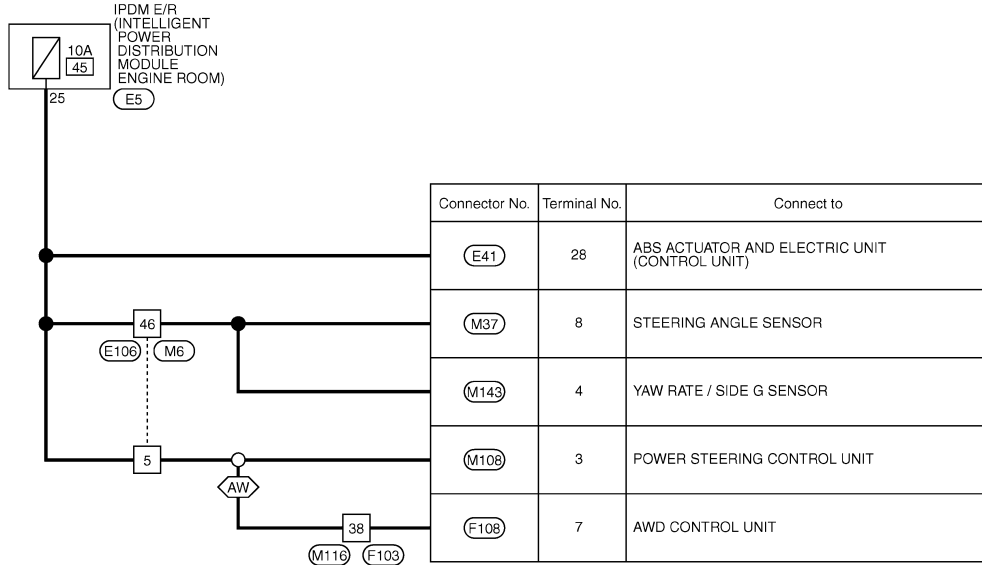
Wiring Diagram - IGNITION POWER SUPPLY FUSE No. 45 -

INFOID:000000010990131

IGNITION POWER SUPPLY FUSE No. 45

A
B
C
D
E
F
G
H
I
J
K
L
PG
N
O
P

: AWD models



2010/08/18

JCMWM9858GB

POWER SUPPLY ROUTING CIRCUIT

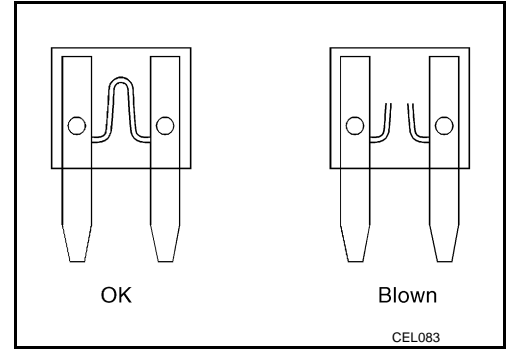
< DTC/CIRCUIT DIAGNOSIS >

[POWER SUPPLY & GROUND CIRCUIT]

Fuse

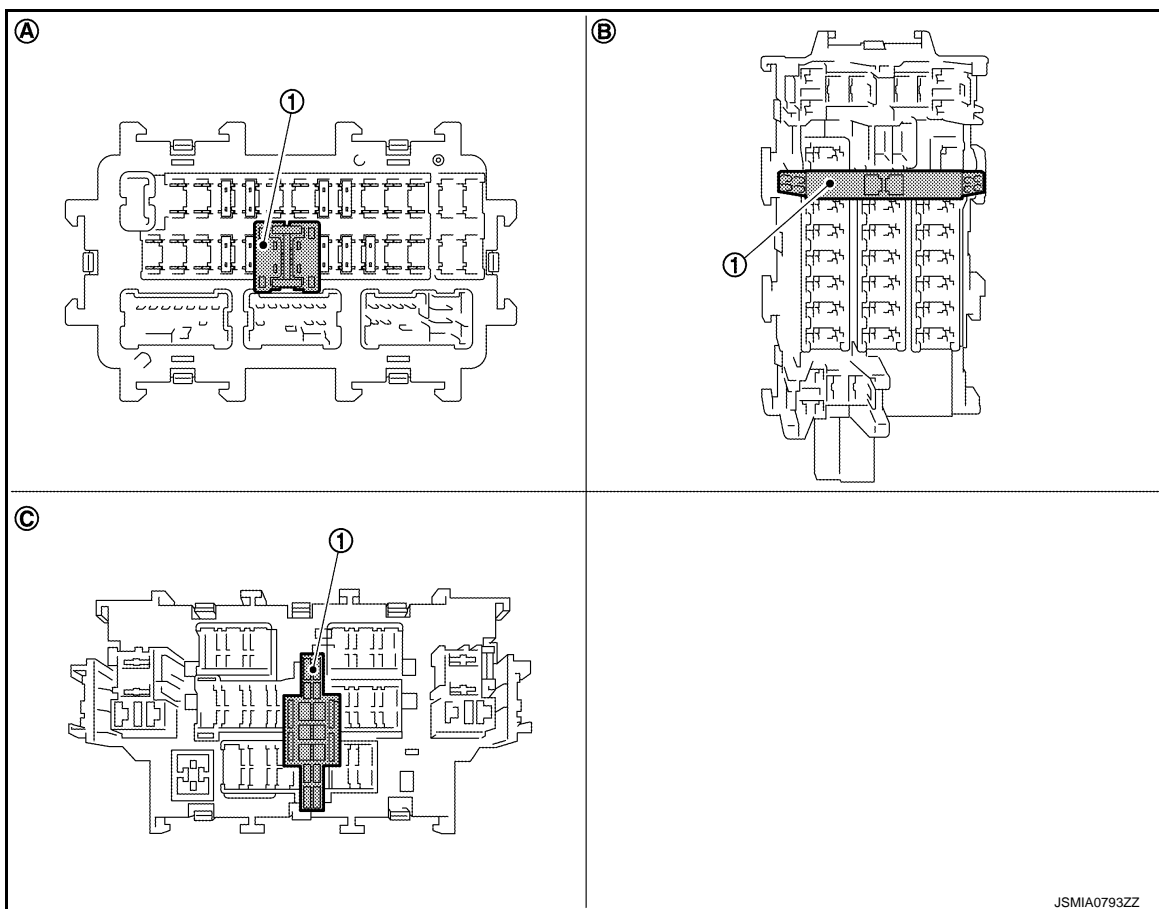
INFOID:0000000110990132

- If fuse is blown, be sure to eliminate cause of malfunction before installing new fuse.
- Use fuse of specified rating. Never use fuse of more than specified rating.
- Do not partially install fuse; always insert it into fuse holder properly.
- Remove fuse for "ELECTRICAL PARTS (BAT)" if vehicle is not used for a long period of time.



EXTENDED STORAGE FUSE SWITCH (IF EQUIPPED)

The following switch may be mounted on the fuse block (Junction Box) for transportation and storage.



1. Extended storage fuse switch

A. Type A

B. Type B

C. Type C

- Remove the extended storage fuse switch when replacing the fuse of extended storage fuse switch.
- Remove the extended storage fuse switch if it causes the interference when the fuse or the other fuses is checked.

How To Extended Storage Fuse Switch ON/OFF

CAUTION:

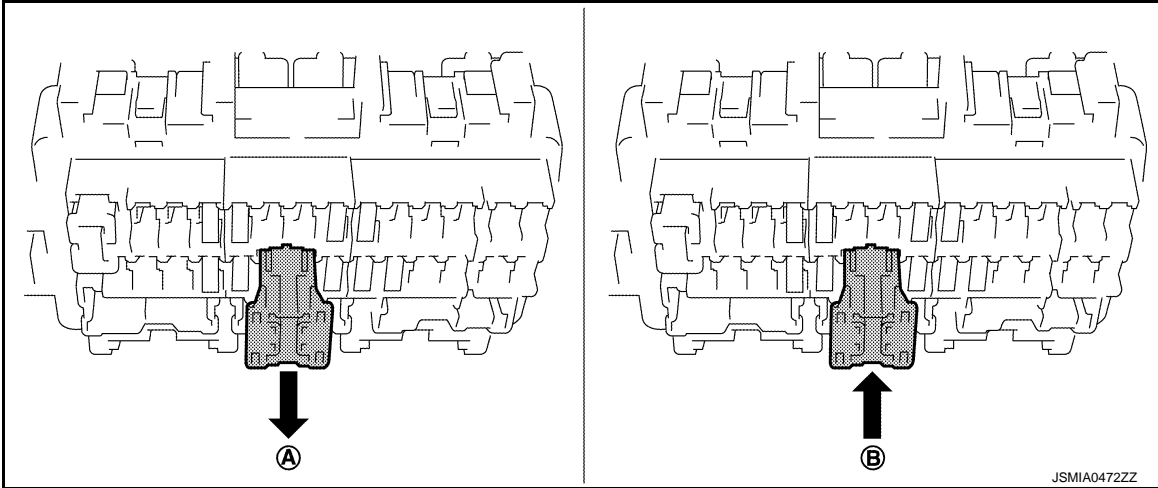
- Turn the ignition switch OFF when operating the extended storage fuse switch.
- Under normal conditions, keep the extended storage fuse switch in ON state. Never operate the extended storage fuse switch except when necessary.

POWER SUPPLY ROUTING CIRCUIT

< DTC/CIRCUIT DIAGNOSIS >

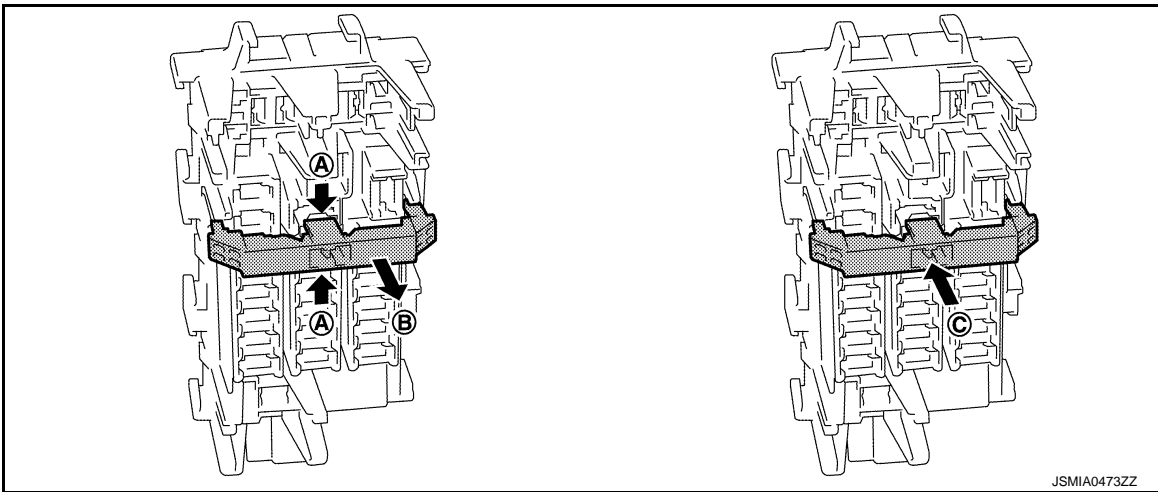
[POWER SUPPLY & GROUND CIRCUIT]

- Type A



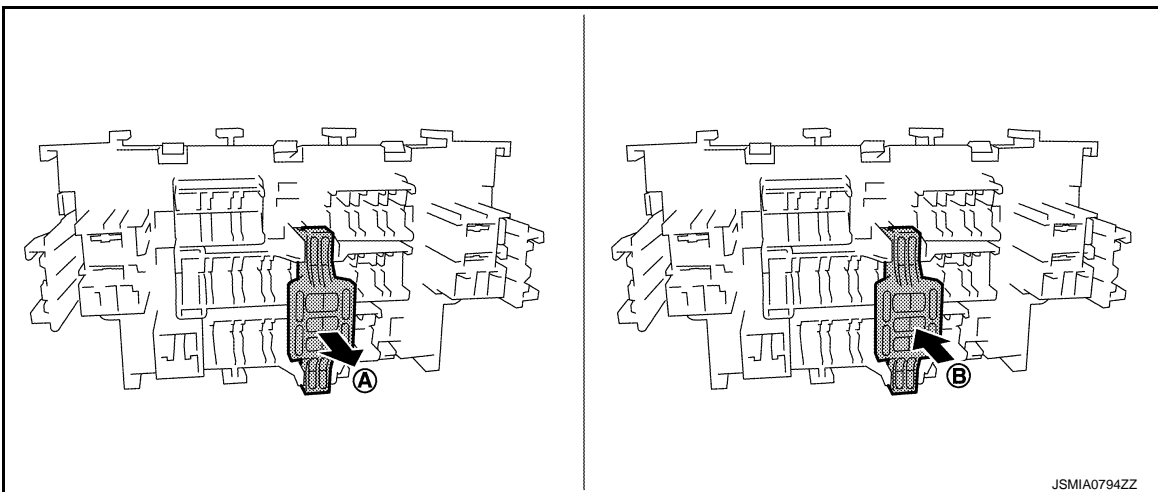
- To turn the extended storage fuse switch OFF, pull it up in (A) direction as shown in the figure.
- To turn the extended storage fuse switch ON, press it in (B) direction as shown in the figure.

- Type B



- To turn the extended storage fuse switch OFF, hold (A) of the switch and pull up in (B) direction as shown in the figure.
- To turn the extended storage fuse switch ON, press it in (C) direction as shown in the figure.

- Type C



- To turn the extended storage fuse switch OFF, pull it up in (A) direction as shown in the figure.
- To turn the extended storage fuse switch ON, press it in (B) direction as shown in the figure.

How To Remove Extended Storage Fuse Switch

Type A

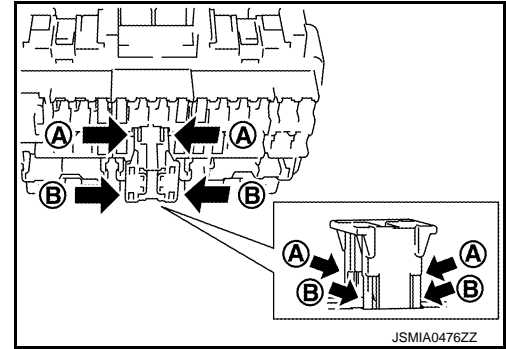
A
B
C
D
E
F
G
H
I
J
K
L
PG
N
O
P

POWER SUPPLY ROUTING CIRCUIT

[POWER SUPPLY & GROUND CIRCUIT]

< DTC/CIRCUIT DIAGNOSIS >

1. Turn the ignition switch OFF.
2. Turn the extended storage fuse switch OFF.
3. Press pawl (A) and tilt to disengage the extended storage fuse switch. Press pawl (B) and tilt to remove the extended storage fuse switch.

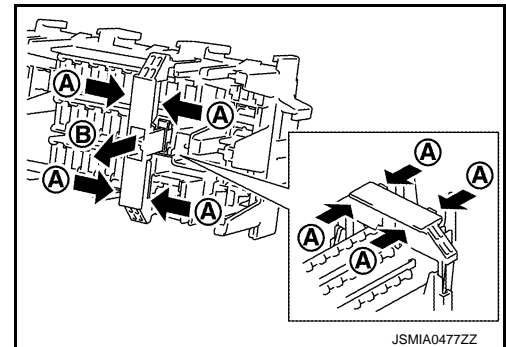


NOTE:

- Extended storage fuse switch and fuse are removed together. Remove fuse from extended storage fuse switch, if necessary.
- Extended storage fuse switch is for transportation and storage. Reinstallation is not required after the removal.

Type B

1. Turn the ignition switch OFF.
2. Turn the extended storage fuse switch OFF.
3. Hold (A) and pull up the extended storage fuse switch hard in (B) direction.

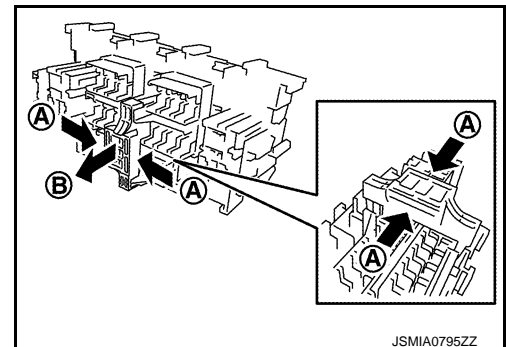


NOTE:

- Extended storage fuse switch and fuse may be removed together. Remove fuse from extended storage fuse switch, if necessary.
- Extended storage fuse switch is for transportation and storage. Reinstallation is not required after the removal.

Type C

1. Turn the ignition switch OFF.
2. Turn the extended storage fuse switch OFF.
3. Hold (A) and pull up the extended storage fuse switch hard in (B) direction.



NOTE:

- Extended storage fuse switch and fuse are removed together. Remove fuse from extended storage fuse switch, if necessary.

POWER SUPPLY ROUTING CIRCUIT

[POWER SUPPLY & GROUND CIRCUIT]

< DTC/CIRCUIT DIAGNOSIS >

- Extended storage fuse switch is for transportation and storage. Reinstallation is not required after the removal.

Fusible Link

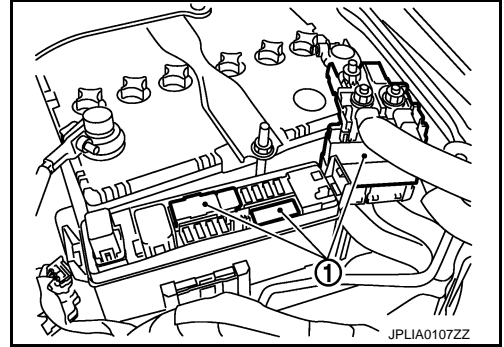
INFOID:0000000010990133

A melted fusible link can be detected either by visual inspection or by feeling with finger tip. If its condition is questionable, use circuit tester or test lamp.

1 : Fusible link

CAUTION:

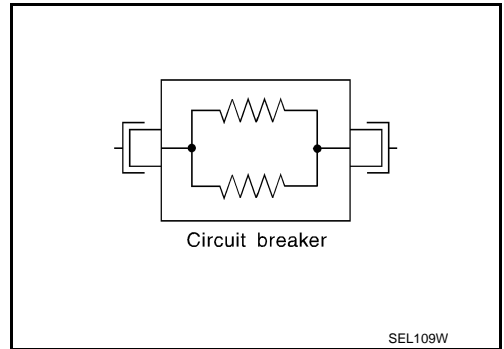
- If fusible link should melt, it is possible that critical circuit (power supply or large current carrying circuit) is shorted. In such a case, carefully check and eliminate cause of malfunction.
- Never wrap outside of fusible link with vinyl tape. Important: Never let fusible link touch any other wiring harness, vinyl or rubber parts.



Circuit Breaker

INFOID:0000000010990134

The PTC thermistor generates heat in response to current flow. The temperature (and resistance) of the thermistor element varies with current flow. Excessive current flow will cause the element's temperature to rise. When the temperature reaches a specified level, the electrical resistance will rise sharply to control the circuit current. Reduced current flow will cause the element to cool. Resistance falls accordingly and normal circuit current flow is allowed to resume.



A
B
C
D
E
F
G
H
I
J
K
L
N
O
P

PG

GROUND DISTRIBUTION

< DTC/CIRCUIT DIAGNOSIS >

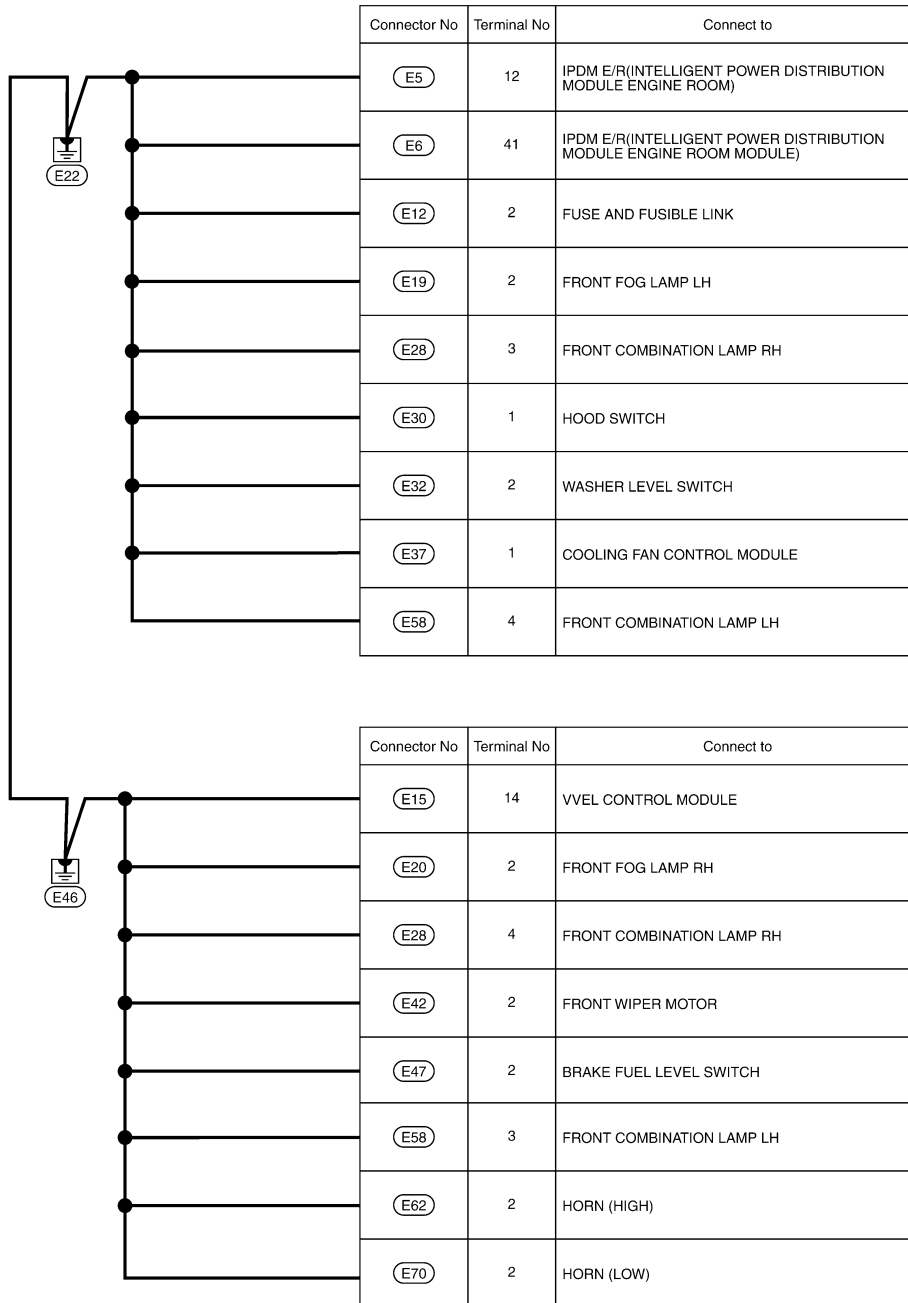
[POWER SUPPLY & GROUND CIRCUIT]

GROUND DISTRIBUTION

Engine Room Harness

INFOID:000000011401588

ENGINE ROOM HARNESS



2014/06/09

JRMWF9392GB

GROUND DISTRIBUTION

[POWER SUPPLY & GROUND CIRCUIT]

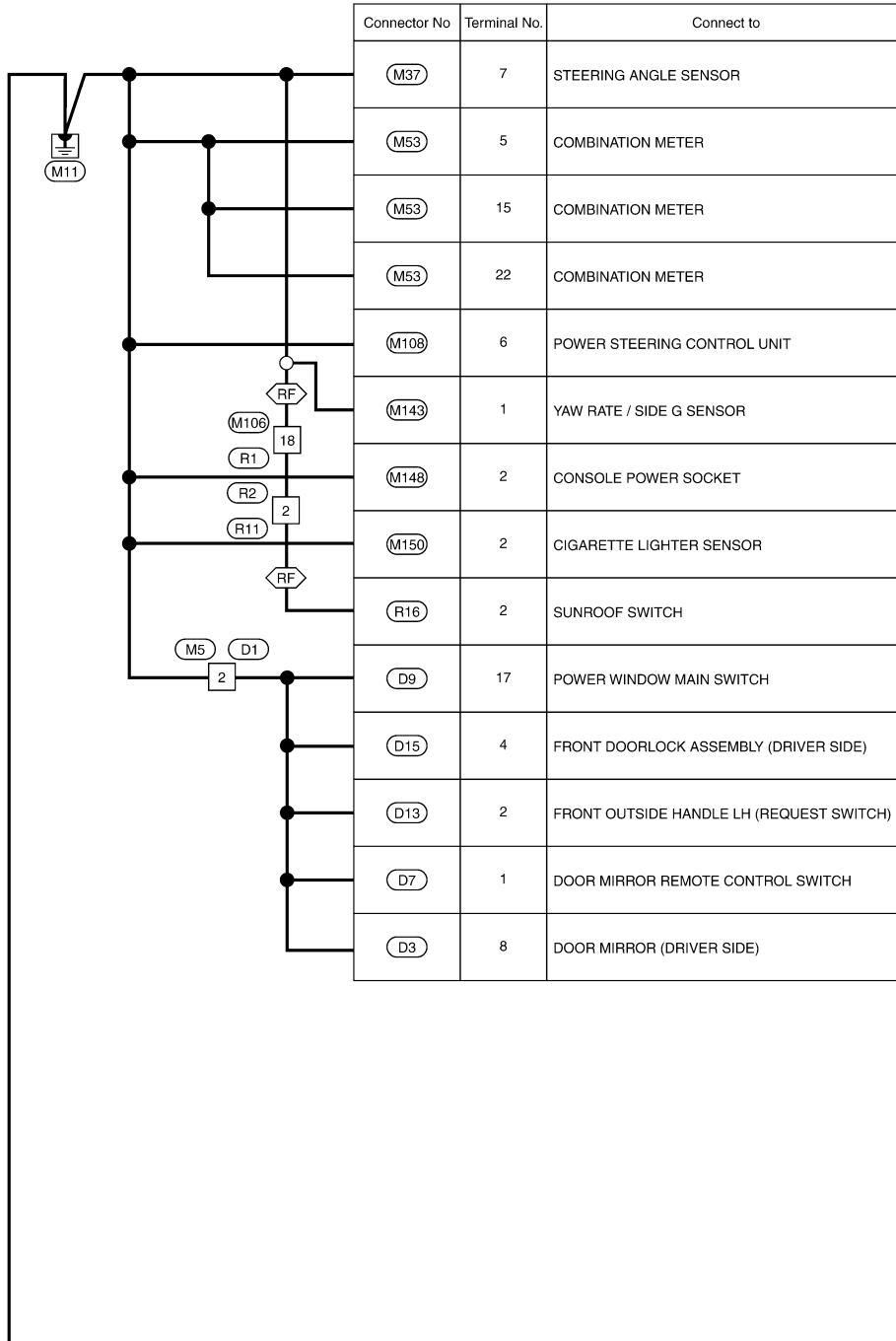
< DTC/CIRCUIT DIAGNOSIS >

Main Harness

INFOID:000000011401590

MAIN HARNESS

◊RF◊: With Sunroof



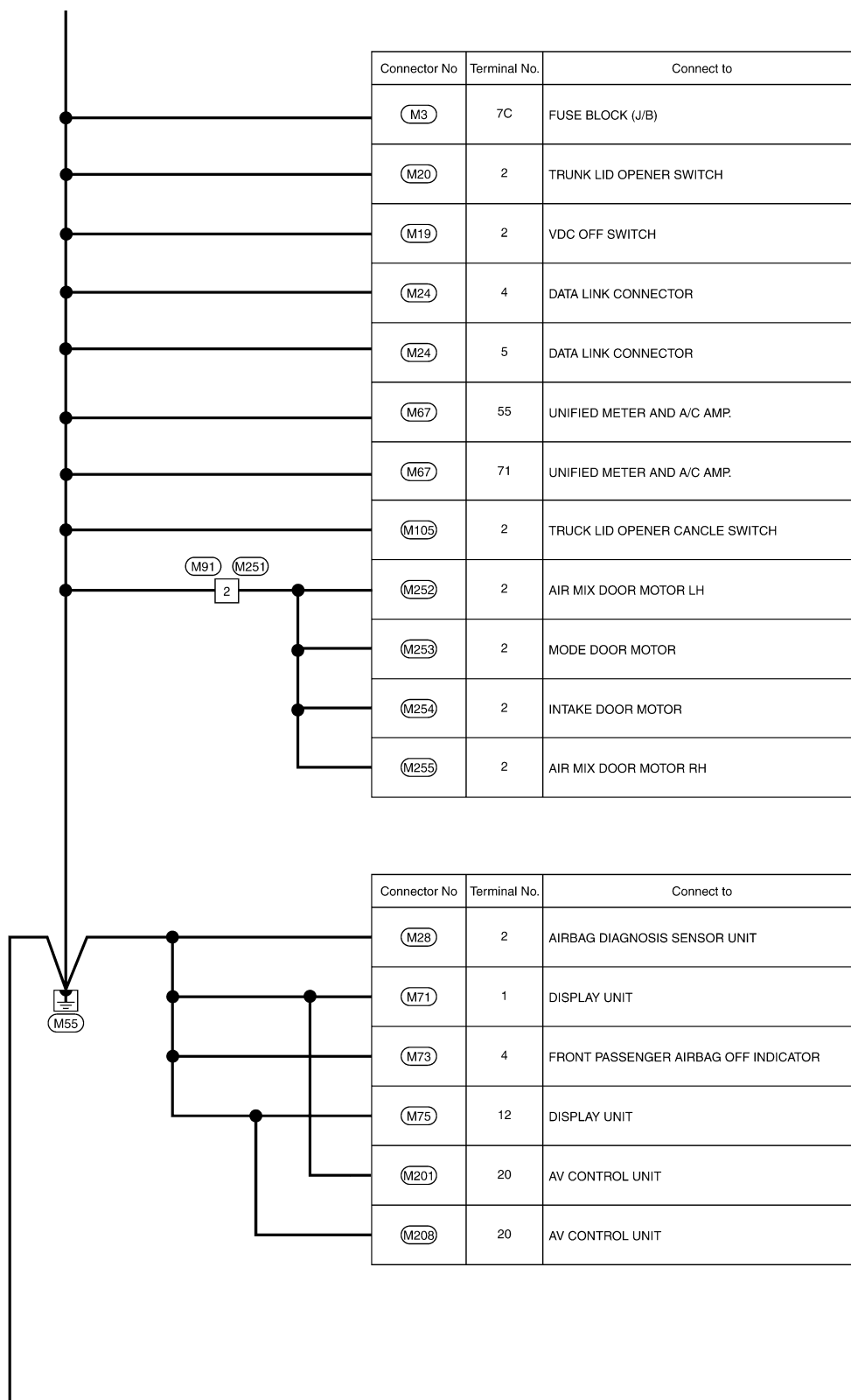
A
B
C
D
E
F
G
H
I
J
K
L
PG
N
O
P

JRMWF9388GB

GROUND DISTRIBUTION

< DTC/CIRCUIT DIAGNOSIS >

[POWER SUPPLY & GROUND CIRCUIT]

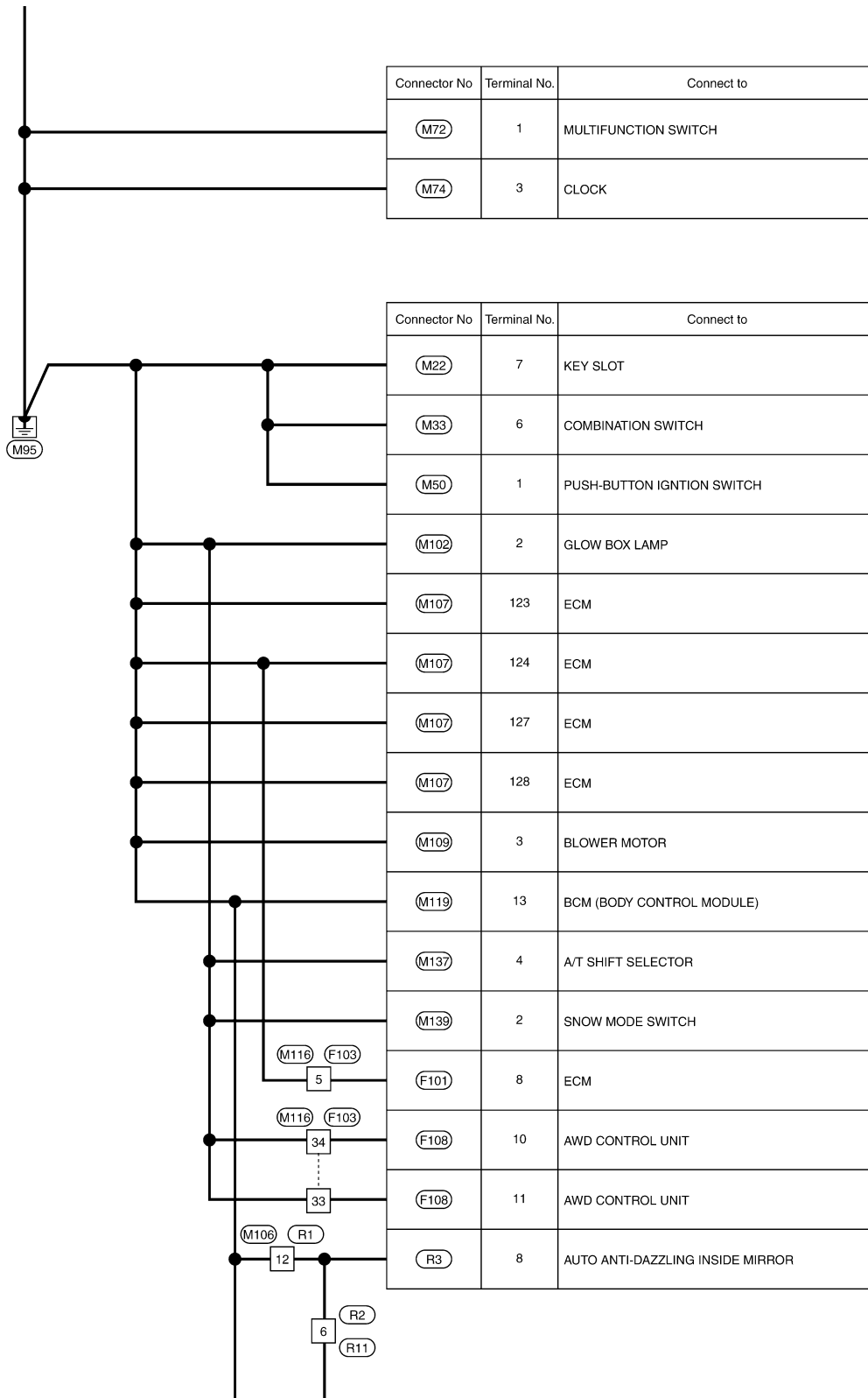


JRMWF9389GB

GROUND DISTRIBUTION

< DTC/CIRCUIT DIAGNOSIS >

[POWER SUPPLY & GROUND CIRCUIT]



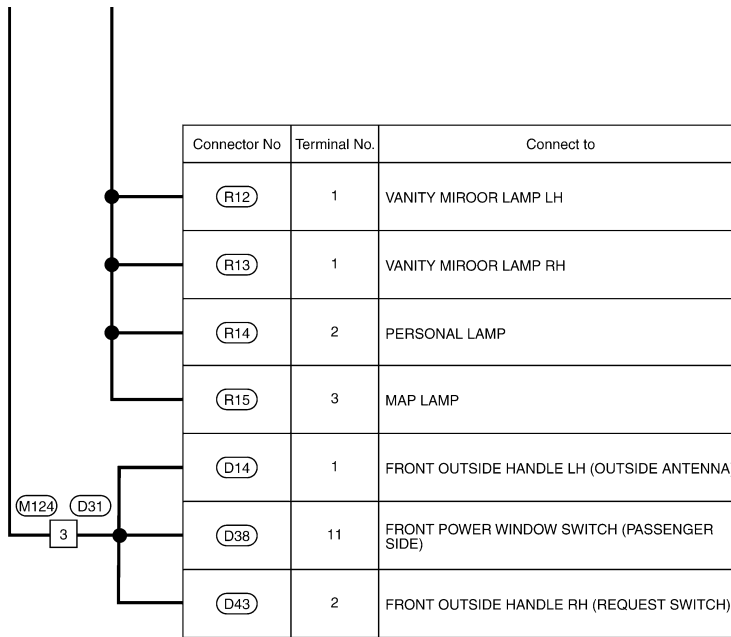
JRMWF9390GB

A
B
C
D
E
F
G
H
I
J
K
L
PG
N
O
P

GROUND DISTRIBUTION

< DTC/CIRCUIT DIAGNOSIS >

[POWER SUPPLY & GROUND CIRCUIT]



2014/06/09

JRMWF9391GB

GROUND DISTRIBUTION

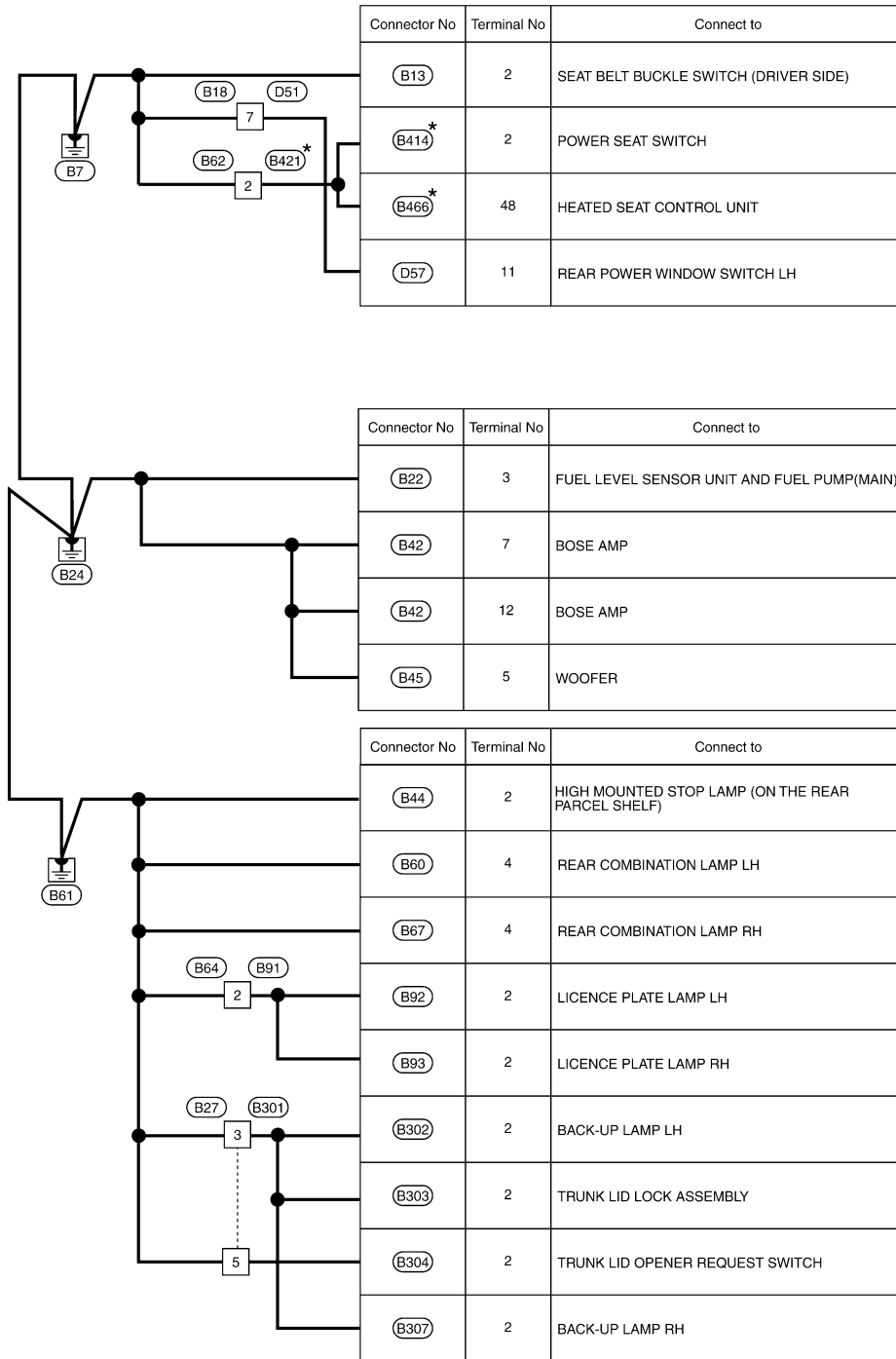
[POWER SUPPLY & GROUND CIRCUIT]

< DTC/CIRCUIT DIAGNOSIS >

Body Harness

INFOID:000000011401591

BODY HARNESS



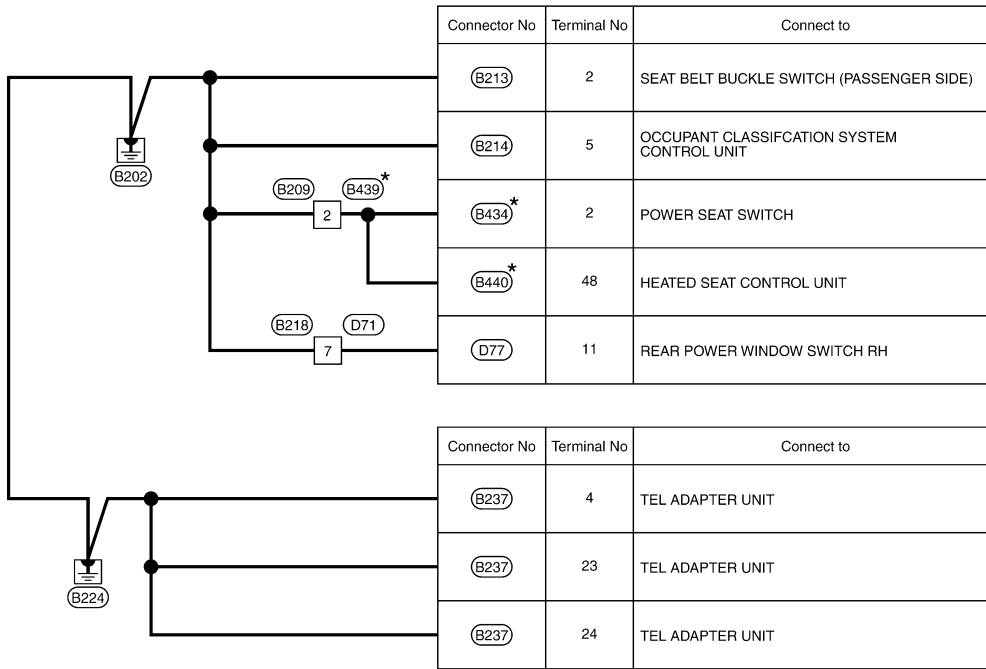
JRMWF9393GB

A
B
C
D
E
F
G
H
I
J
K
L
PG
N
O
P

GROUND DISTRIBUTION

< DTC/CIRCUIT DIAGNOSIS >

[POWER SUPPLY & GROUND CIRCUIT]



*: This connector is not shown in "Harness Layout".

2014/06/09

JRMWF9394GB

HARNESS LAYOUT

< DTC/CIRCUIT DIAGNOSIS >






[POWER SUPPLY & GROUND CIRCUIT]

HARNESS LAYOUT

How To Read Harness Layout

INFOID:000000010990135

Main symbols of connector (in Harness Layout) are indicated in the below.

Connector type	Water proof type		Standard type	
	Male	Female	Male	Female
Connector symbol				
Ground terminal etc.	—			

JPMIA0114GB

A

B

C

D

E

F

G

H

I

J

K

L

PG

N

O

P

HARNES LAYOUT

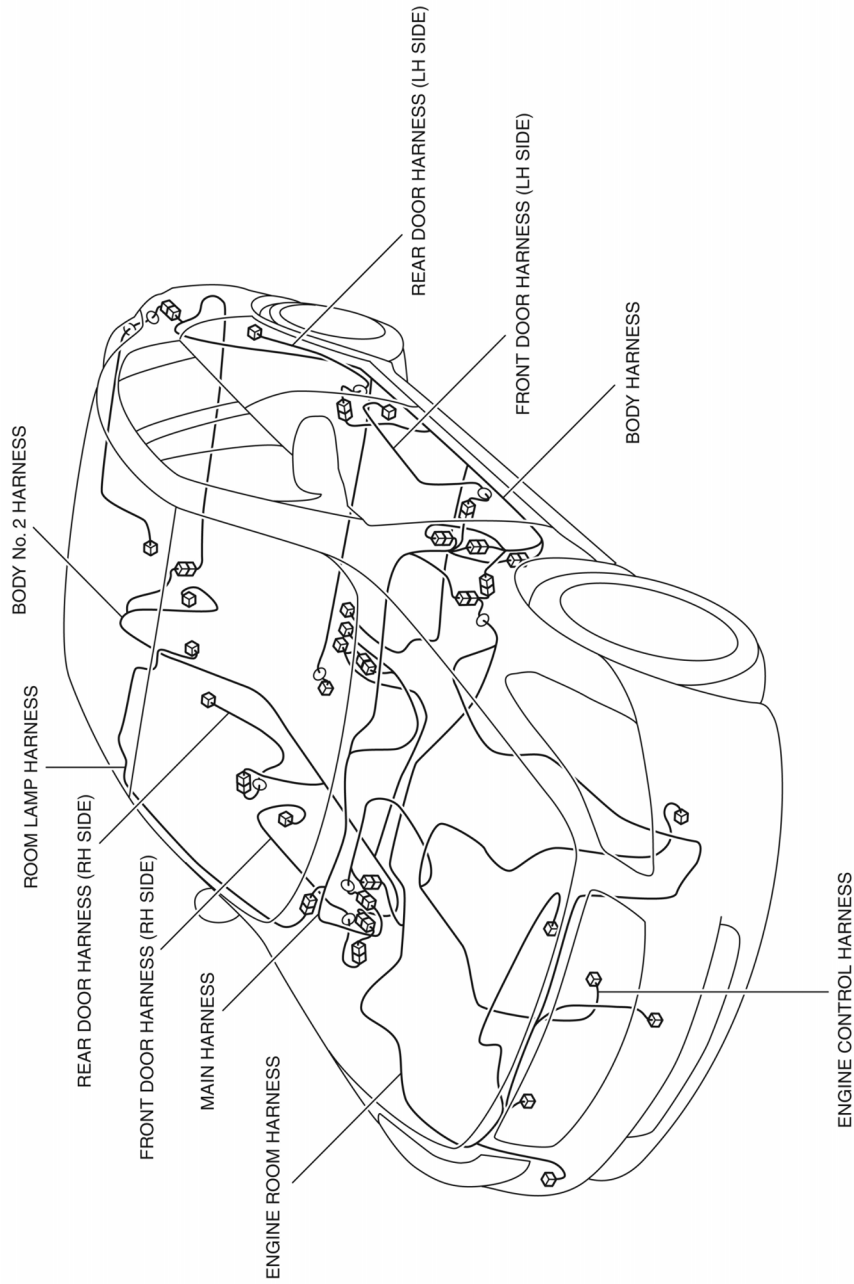
< DTC/CIRCUIT DIAGNOSIS >

[POWER SUPPLY & GROUND CIRCUIT]

Outline

INFOID:000000010990136

OUTLINE



2014/06/09

JRMIC4861GB

HARNES LAYOUT

< DTC/CIRCUIT DIAGNOSIS >

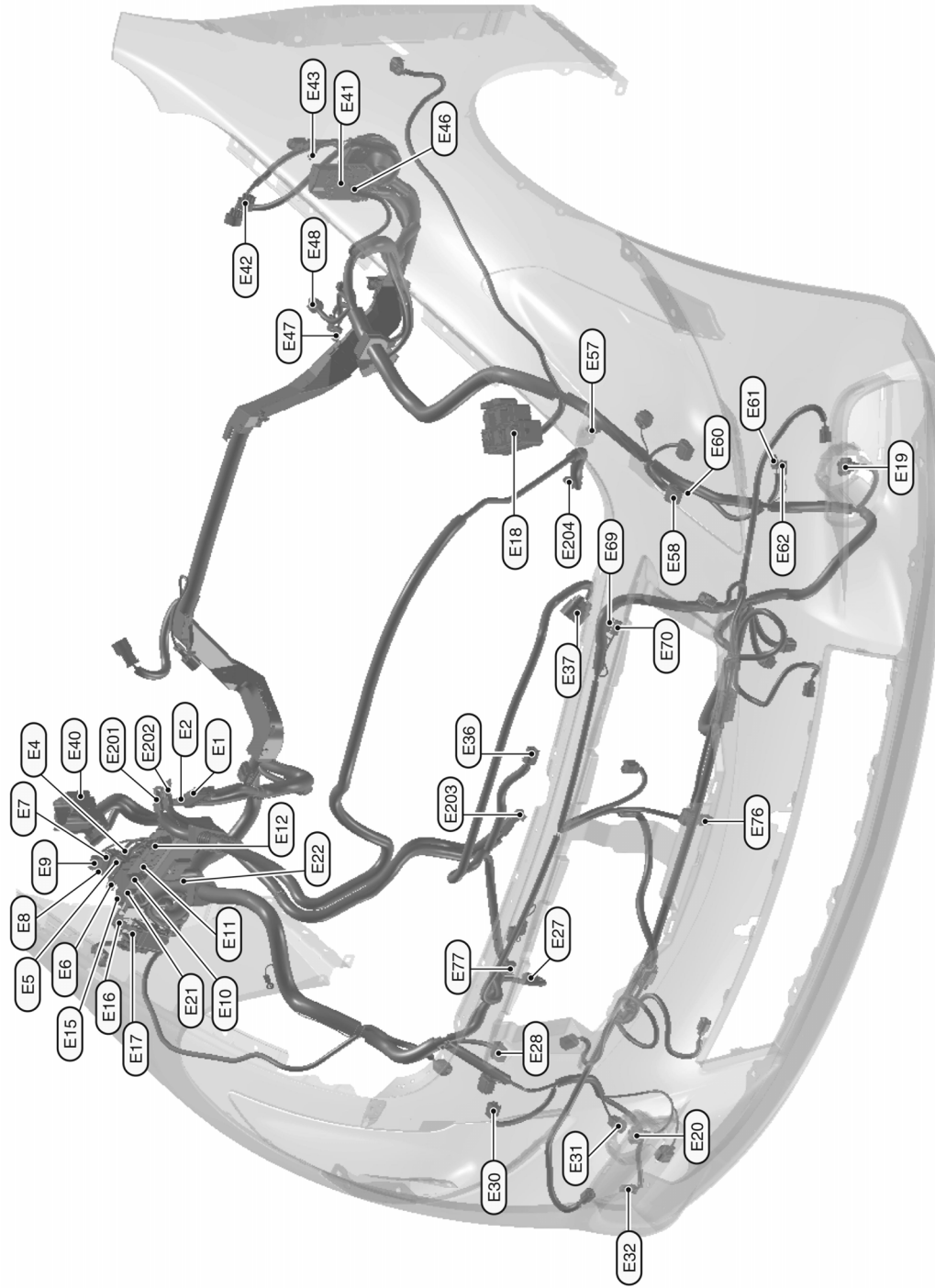
[POWER SUPPLY & GROUND CIRCUIT]

Engine Room Harness

INFOID:0000000110990137

ENGINE COMPARTMENT

ENGINE ROOM HARNESS /
Engine Compartment



A
B
C
D
E
F
G
H
I
J
K
L
PG
N
O
P

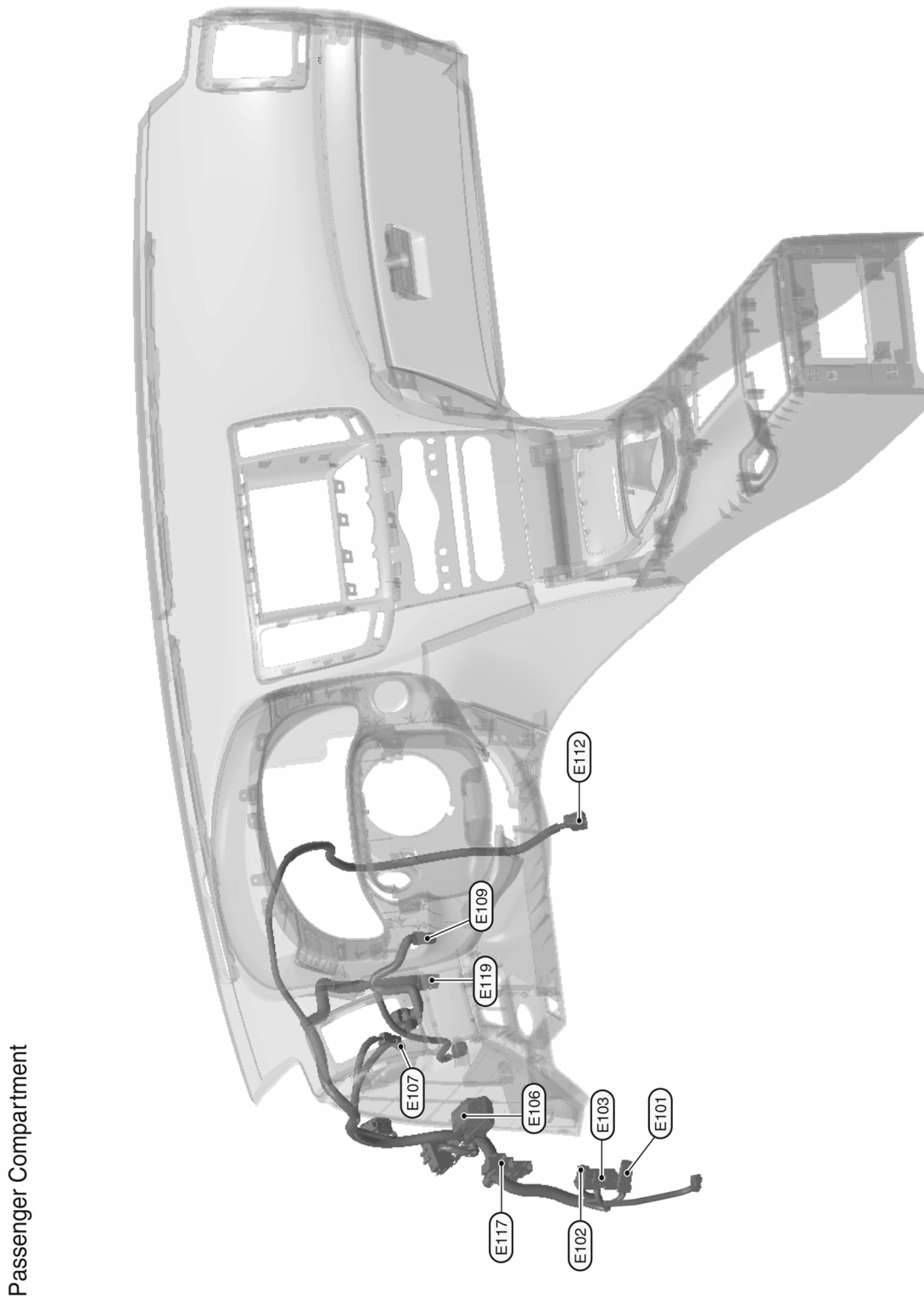
2014/06/09

JRMIC4863GB

HARNESS LAYOUT

< DTC/CIRCUIT DIAGNOSIS >

[POWER SUPPLY & GROUND CIRCUIT]



Passenger Compartment

2014/06/09

JRMIC4864GB

Engine Control Harness

ENGINE CONTROL HARNESS

INFOID:000000010990138

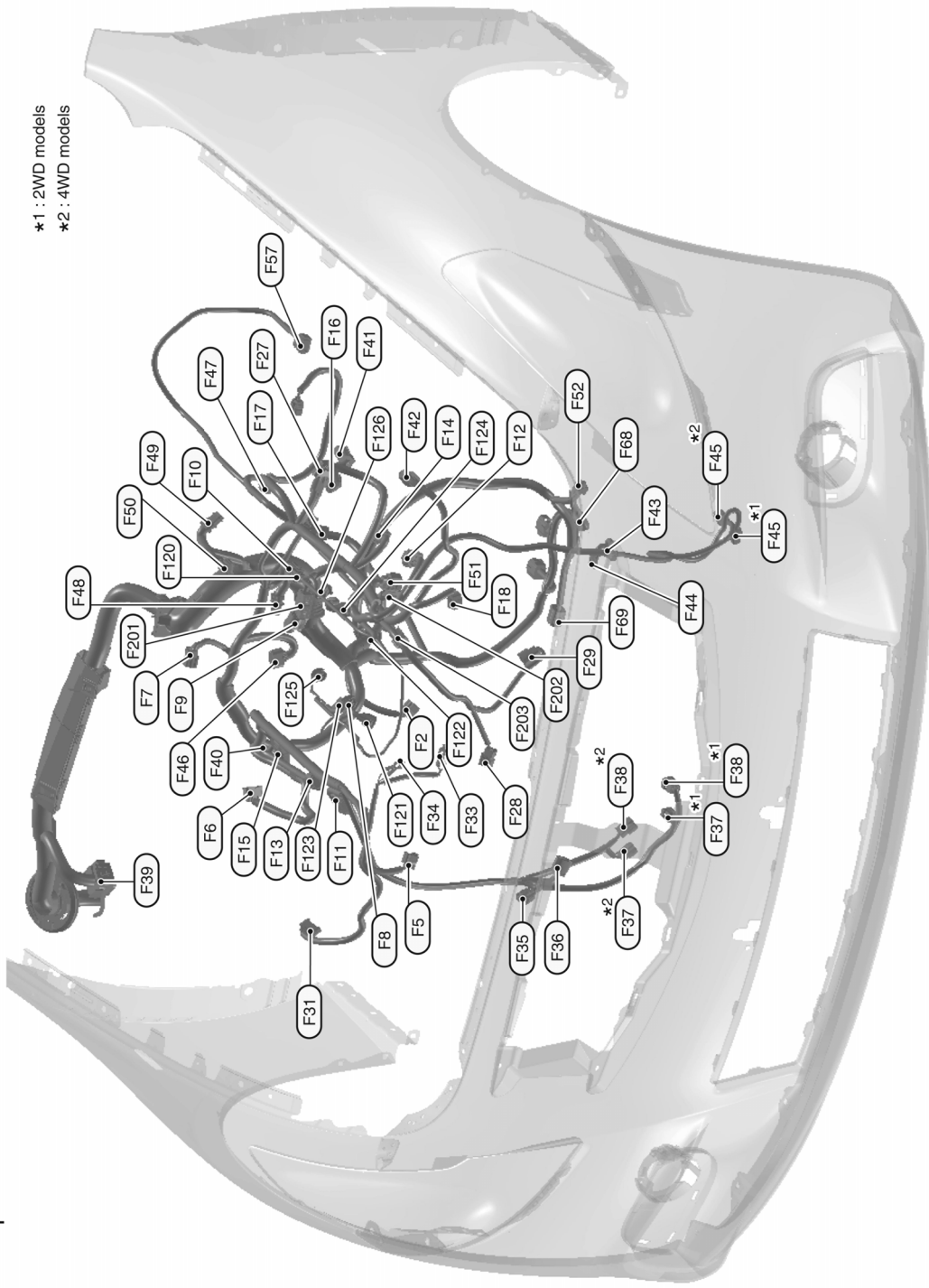
HARNESS LAYOUT

< DTC/CIRCUIT DIAGNOSIS >

[POWER SUPPLY & GROUND CIRCUIT]

Engine Compartment

ENGINE CONTROL HARNESS /
Engine Compartment



*1 : 2WD models
*2 : 4WD models

A
B
C
D
E
F
G
H
I
J
K
L
PG
N
O
P

2014/06/09

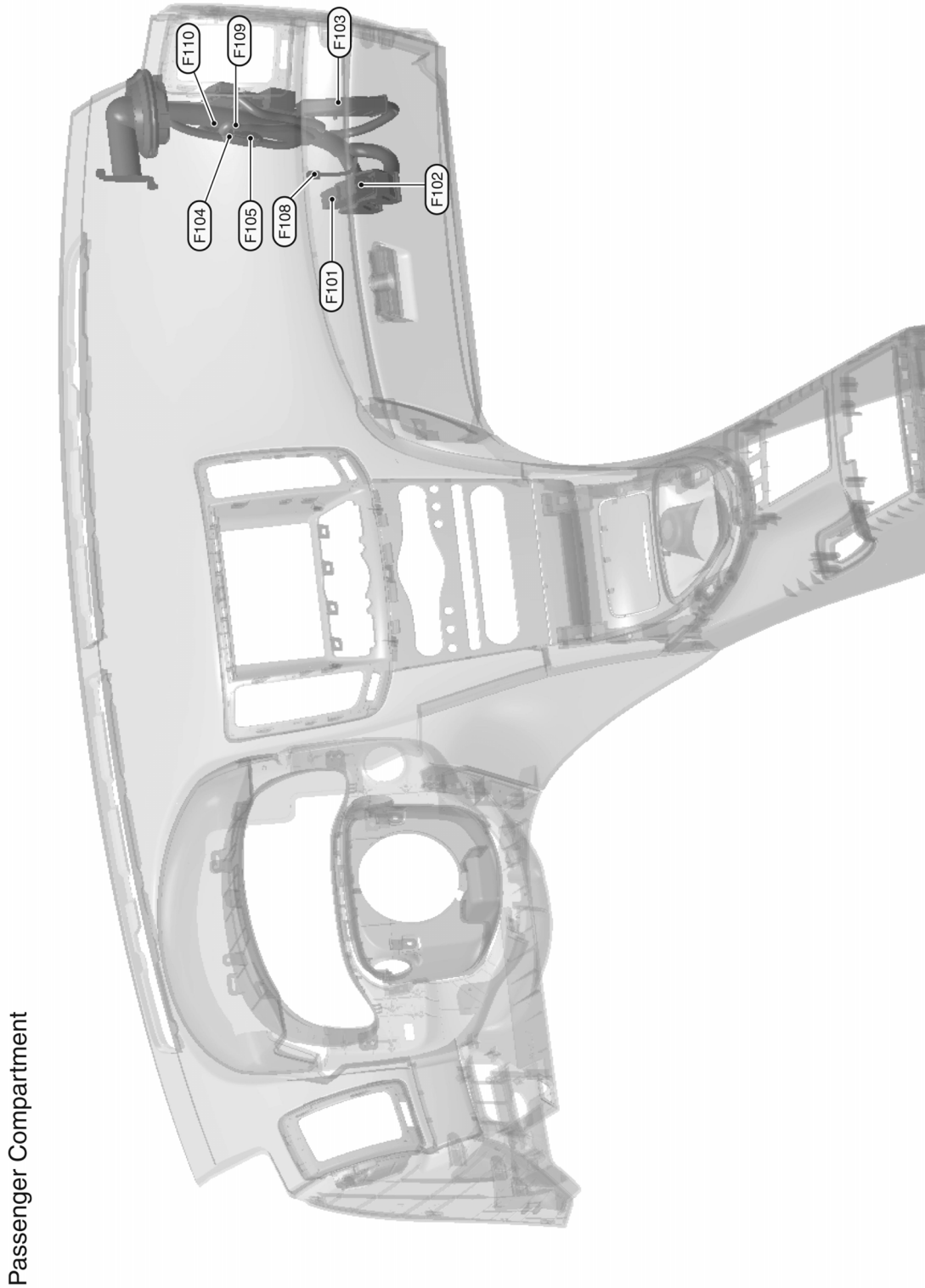
JRMIC4865GB

HARNES LAYOUT

< DTC/CIRCUIT DIAGNOSIS >

[POWER SUPPLY & GROUND CIRCUIT]

Passenger Compartment



Passenger Compartment

2014/06/09

JRMIC4866GB

HARNES LAYOUT

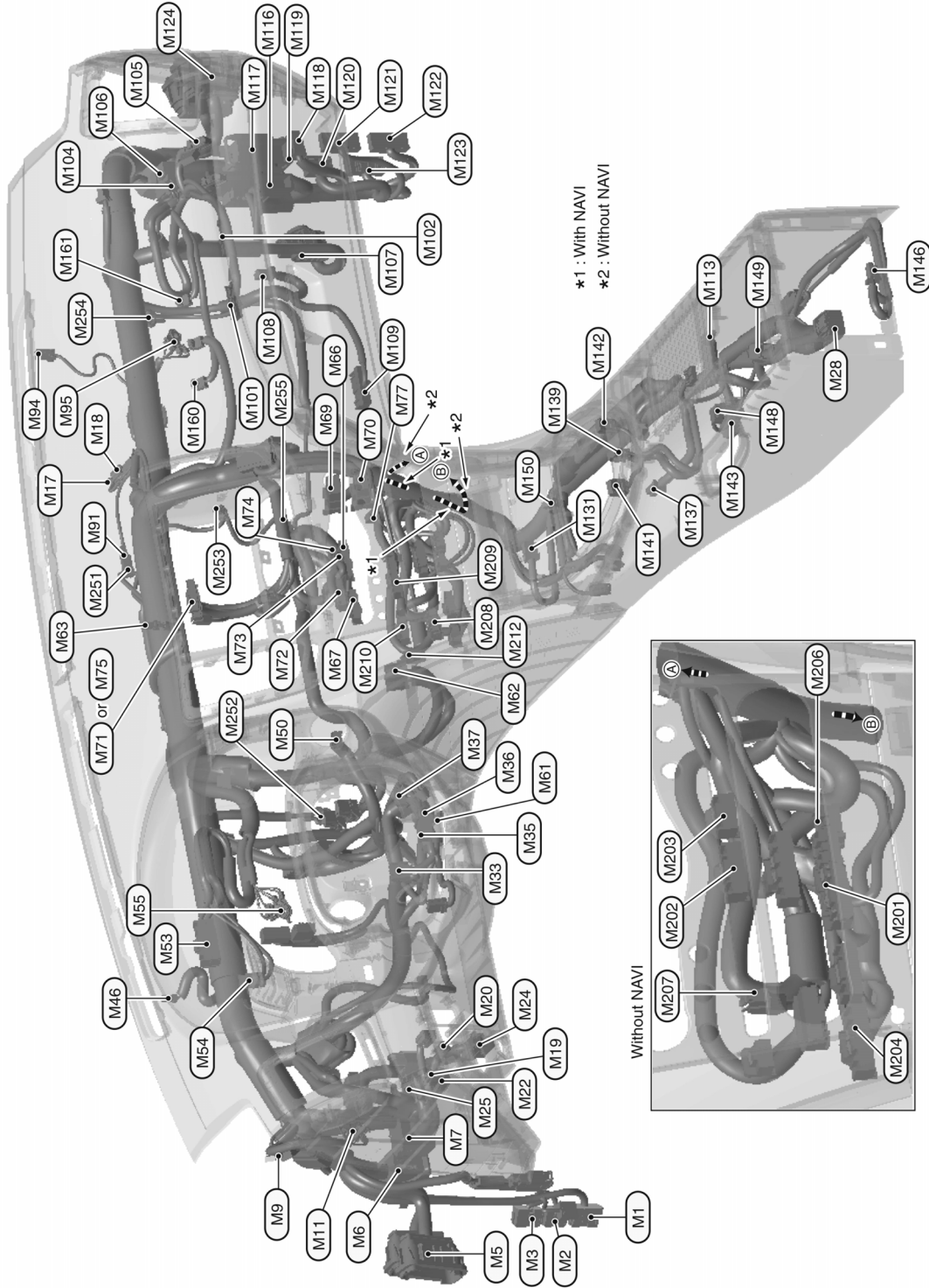
< DTC/CIRCUIT DIAGNOSIS >

[POWER SUPPLY & GROUND CIRCUIT]

Main Harness

INFOID:000000010990139

MAIN HARNESS



Body Harness

BODY HARNESS

2014/06/09

JRMIC4862GB

INFOID:000000010990140

A
B
C
D
E
F
G
H
I
J
K
L
N
O
P

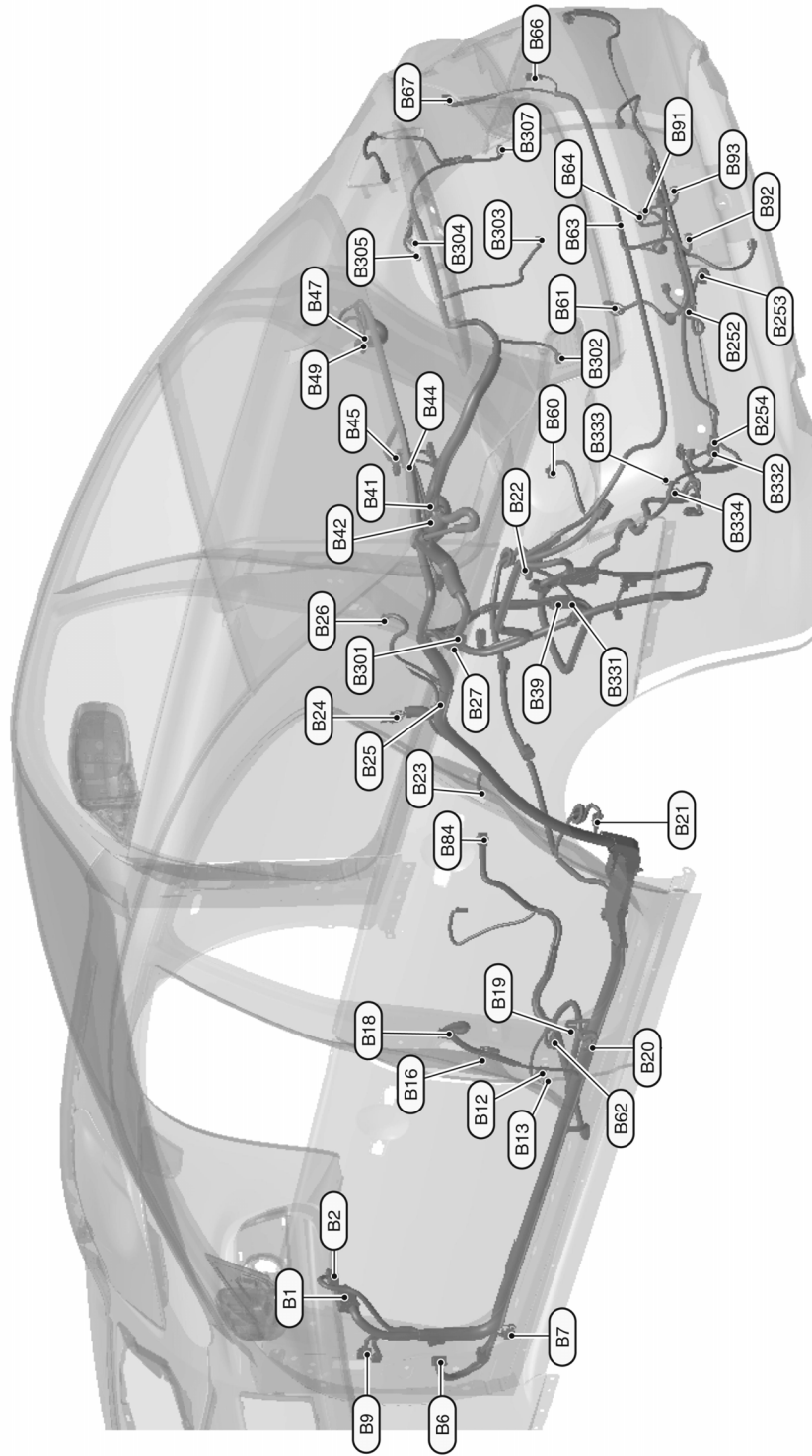
PG

HARNES LAYOUT

< DTC/CIRCUIT DIAGNOSIS >

[POWER SUPPLY & GROUND CIRCUIT]

BODY HARNESS



BODY HARNESS

2014/06/09

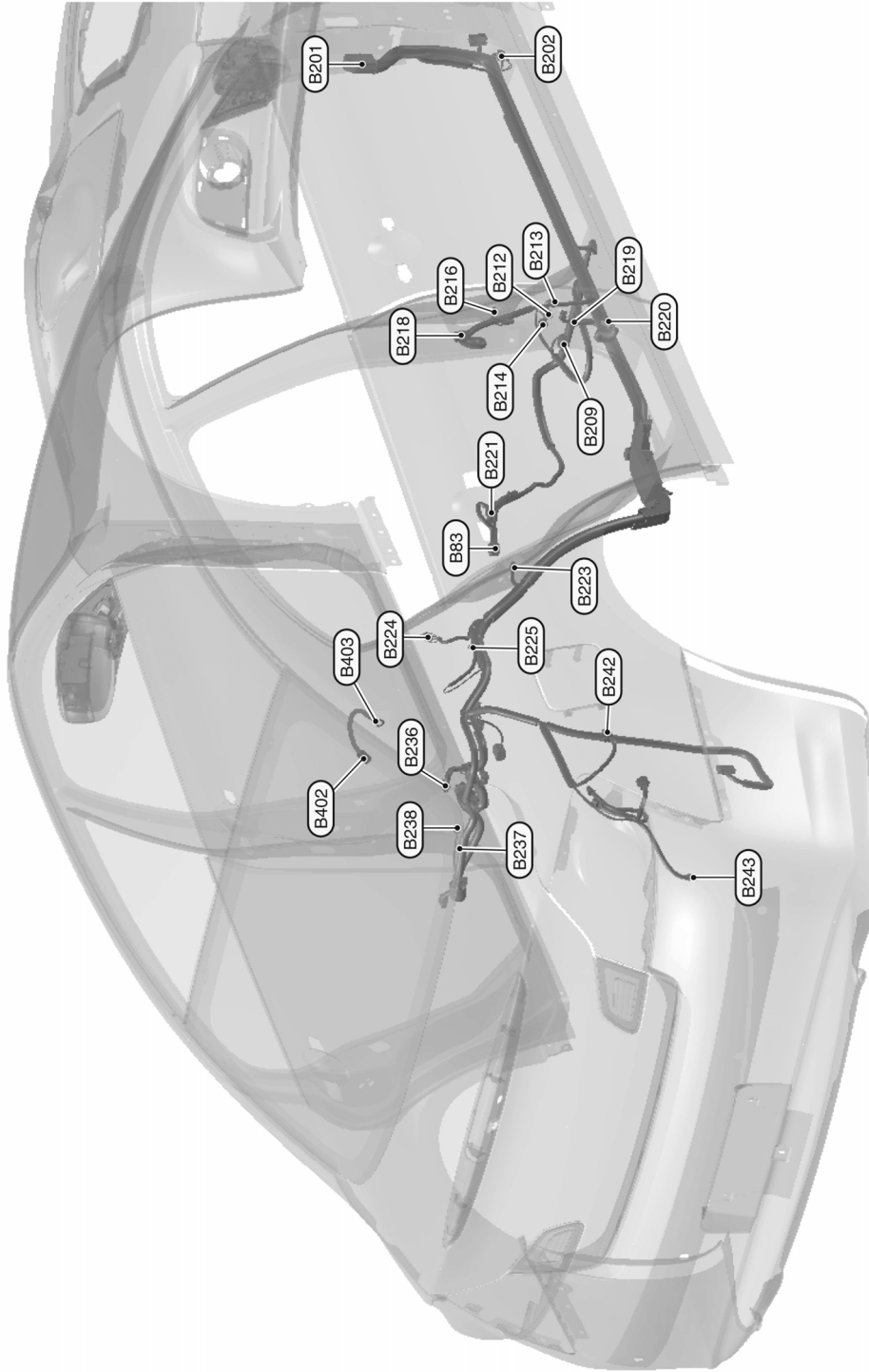
JRMIC4867GB

HARNES LAYOUT

< DTC/CIRCUIT DIAGNOSIS >

[POWER SUPPLY & GROUND CIRCUIT]

BODY NO.2 HARNES



BODY No. 2 HARNES

2014/06/09

JRMIC4868GB

A
B
C
D
E
F
G
H
I
J
K
L
PG
N
O
P

HARNES LAYOUT

< DTC/CIRCUIT DIAGNOSIS >

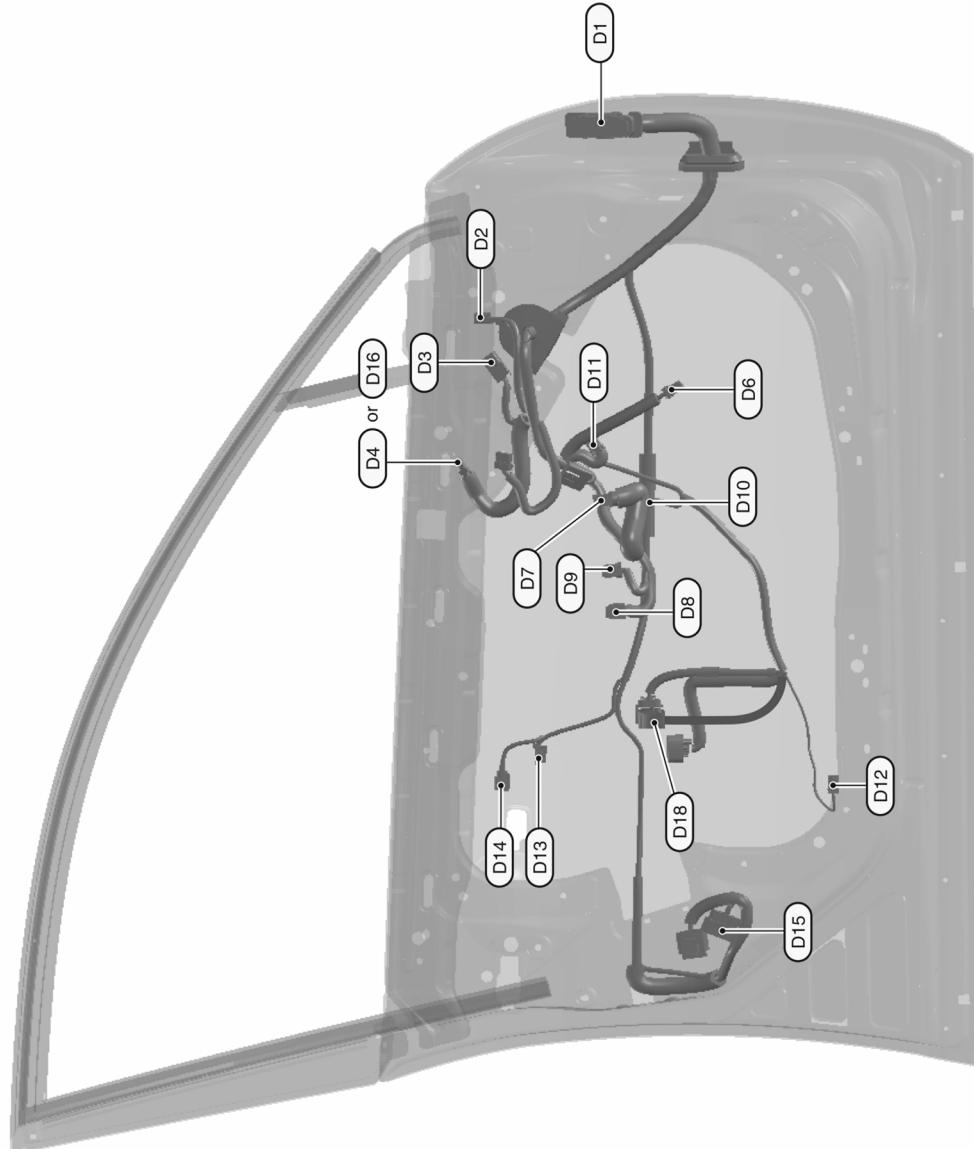
[POWER SUPPLY & GROUND CIRCUIT]

Door Harness

INFOID:000000010990141

FRONT DOOR HARNESS (LH SIDE)

FRONT DOOR HARNESS (LH SIDE)



2014/06/09

JRMIC4870GB

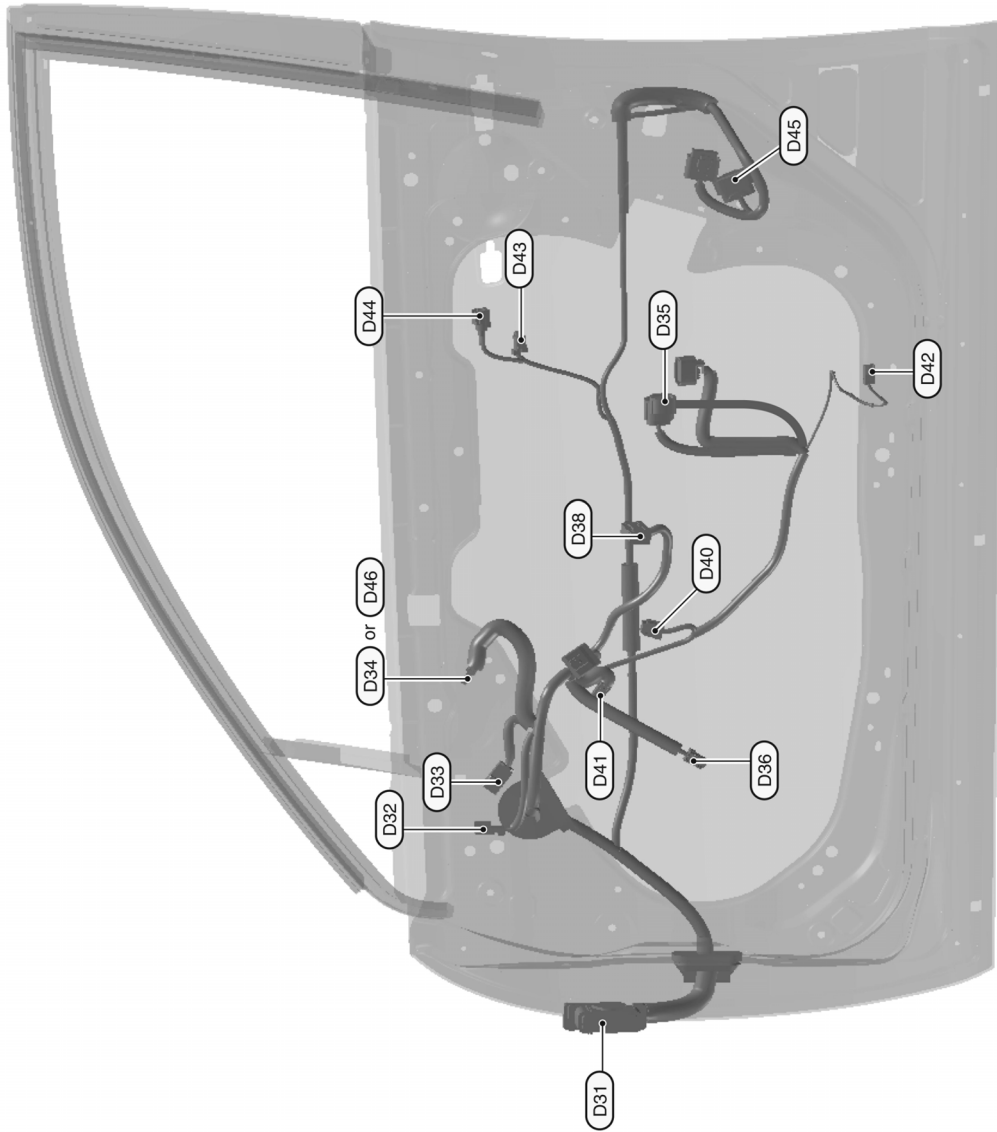
HARNES LAYOUT

< DTC/CIRCUIT DIAGNOSIS >

[POWER SUPPLY & GROUND CIRCUIT]

FRONT DOOR HARNESS (RH SIDE)

FRONT DOOR HARNESS (RH SIDE)



2014/06/09

JRMIC4871GB

A
B
C
D
E
F
G
H
I
J
K
L
PG
N
O
P

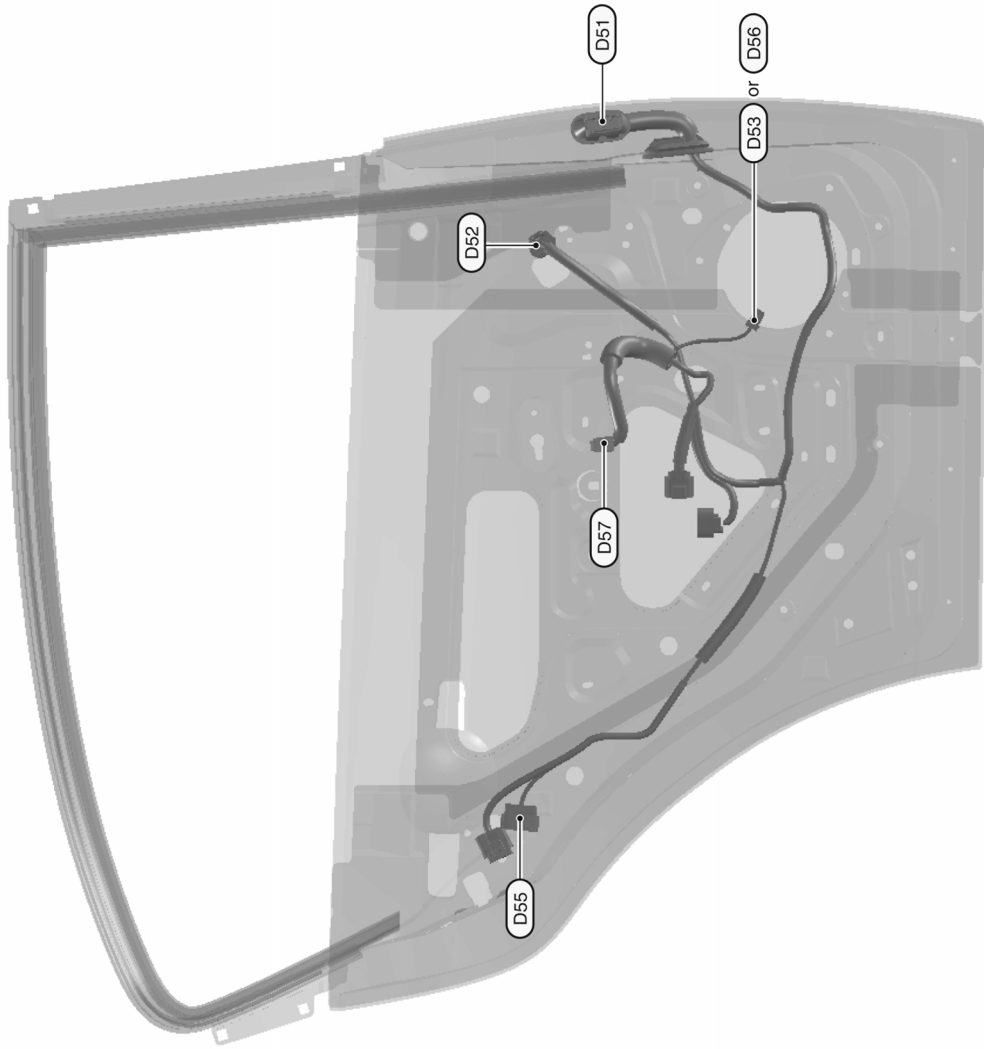
HARNES LAYOUT

< DTC/CIRCUIT DIAGNOSIS >

[POWER SUPPLY & GROUND CIRCUIT]

REAR DOOR HARNESS (LH SIDE)

REAR DOOR HARNESS (LH SIDE)



2014/06/09

JRMIC4872GB

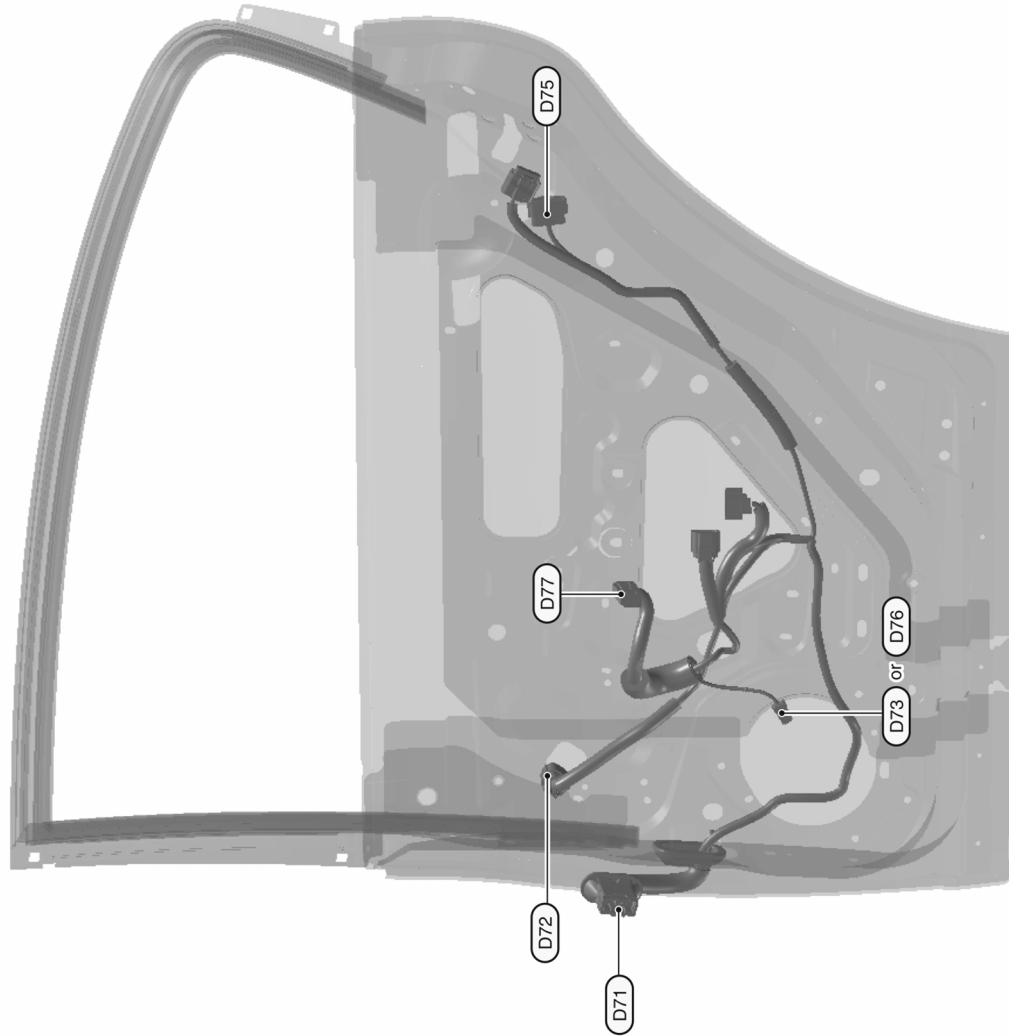
HARNES LAYOUT

< DTC/CIRCUIT DIAGNOSIS >

[POWER SUPPLY & GROUND CIRCUIT]

REAR DOOR HARNESS (RH SIDE)

REAR DOOR HARNESS (RH SIDE)



2014/06/09

JRMIC4873GB

A
B
C
D
E
F
G
H
I
J
K
L
PG
N
O
P

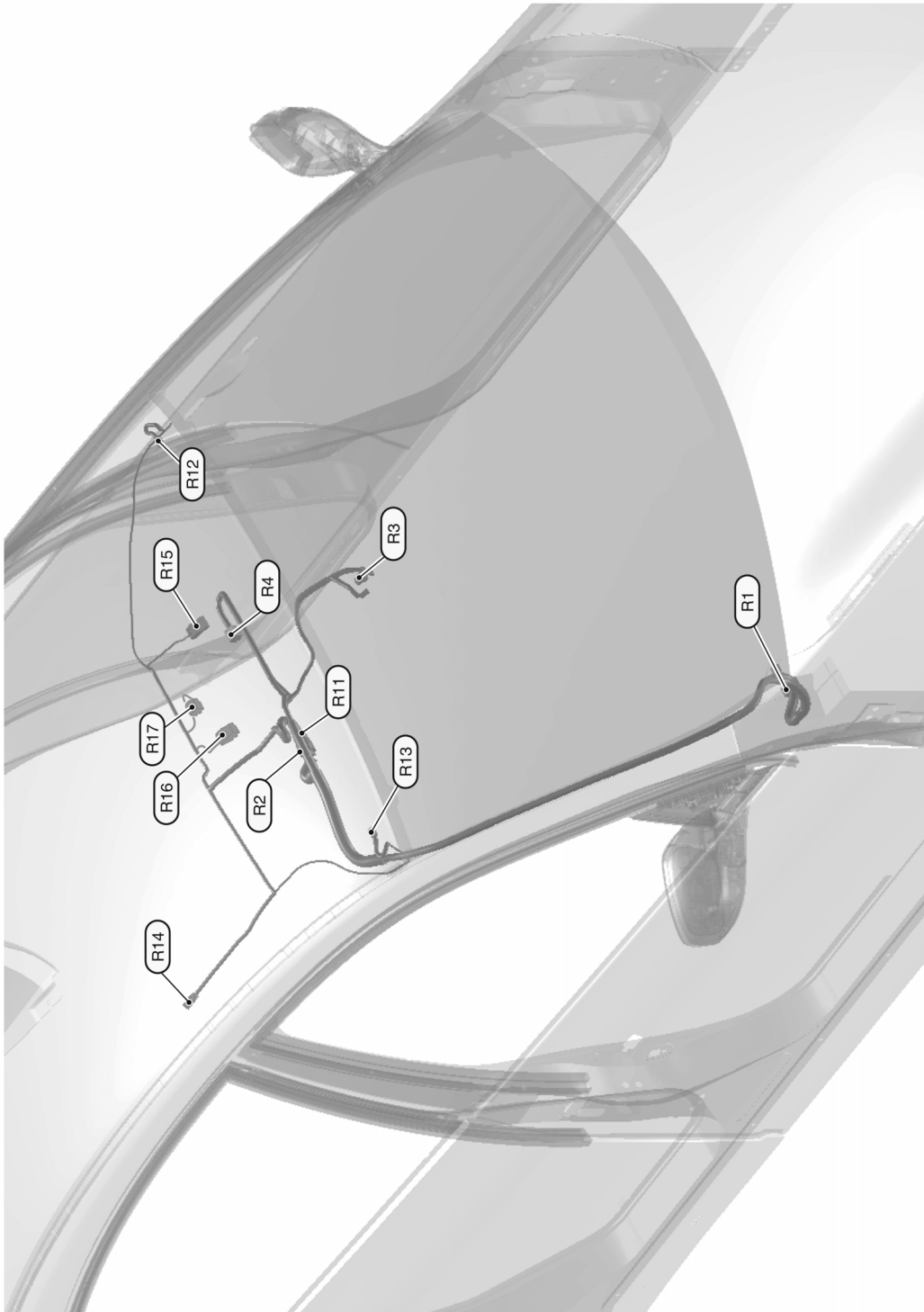
HARNES LAYOUT

< DTC/CIRCUIT DIAGNOSIS >

[POWER SUPPLY & GROUND CIRCUIT]

Room Lamp Harness

INFOID:000000010990142



ROOM LAMP HARNESS

2014/06/09

JRMIC4869GB

HARNESS CONNECTOR

< DTC/CIRCUIT DIAGNOSIS >

[POWER SUPPLY & GROUND CIRCUIT]

HARNESS CONNECTOR

Description

INFOID:000000010990150

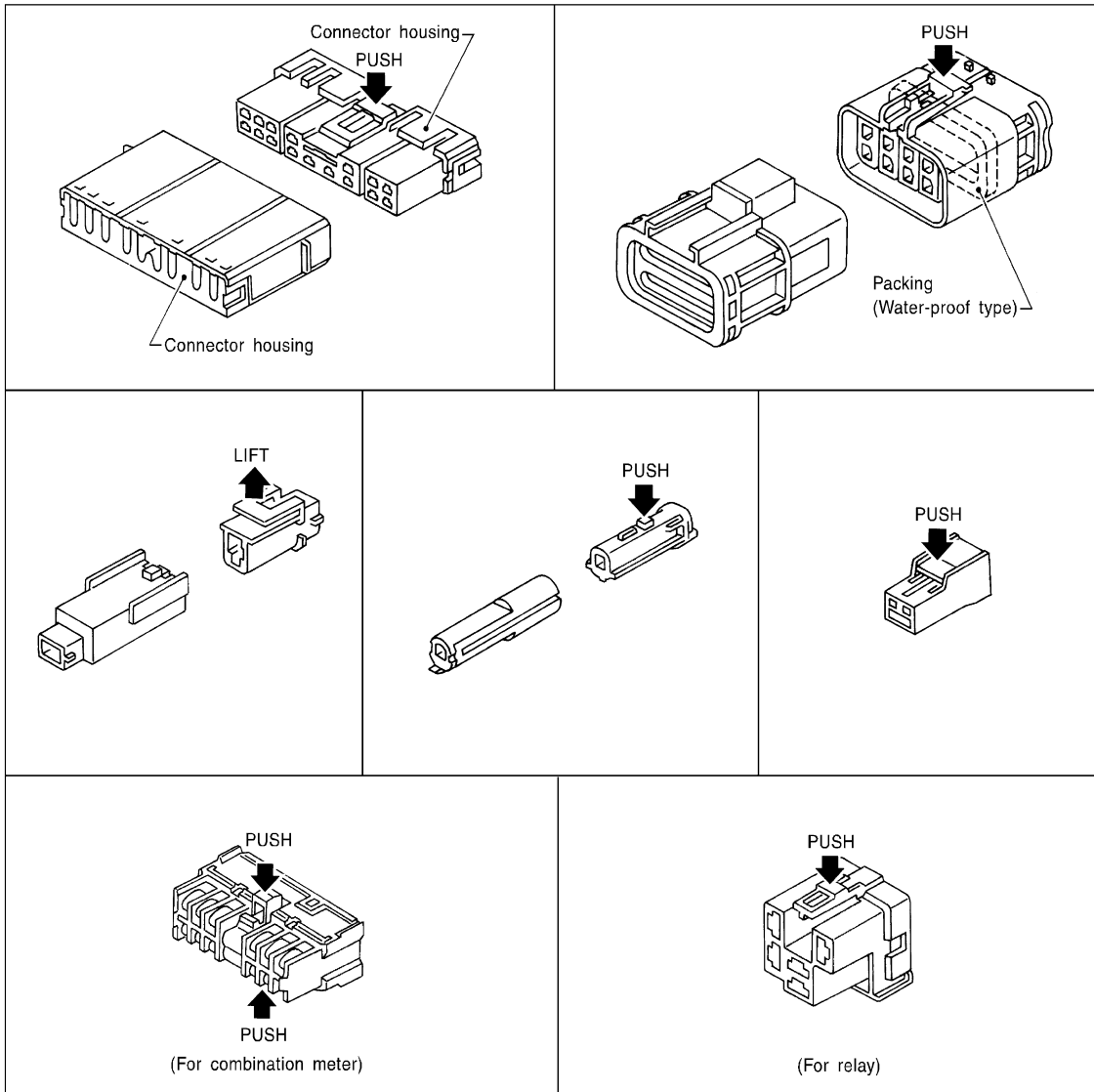
HARNESS CONNECTOR (TAB-LOCKING TYPE)

- The tab-locking type connectors help prevent accidental looseness or disconnection.
- The tab-locking type connectors are disconnected by pushing or lifting the locking tab(s). Refer to the figure below.

CAUTION:

Never pull the harness or wires when disconnecting the connector.

[Example]



A
B
C
D
E
F
G
H
I
J
K
L
PG
N
O
P

HARNESS CONNECTOR (SLIDE-LOCKING TYPE)

- A new style slide-locking type connector is used on certain systems and components, especially those related to OBD.
- The slide-locking type connectors help prevent incomplete locking and accidental looseness or disconnection.
- The slide-locking type connectors are disconnected by pushing or pulling the slider. Refer to the figure below.

SEL769DA

HARNESS CONNECTOR

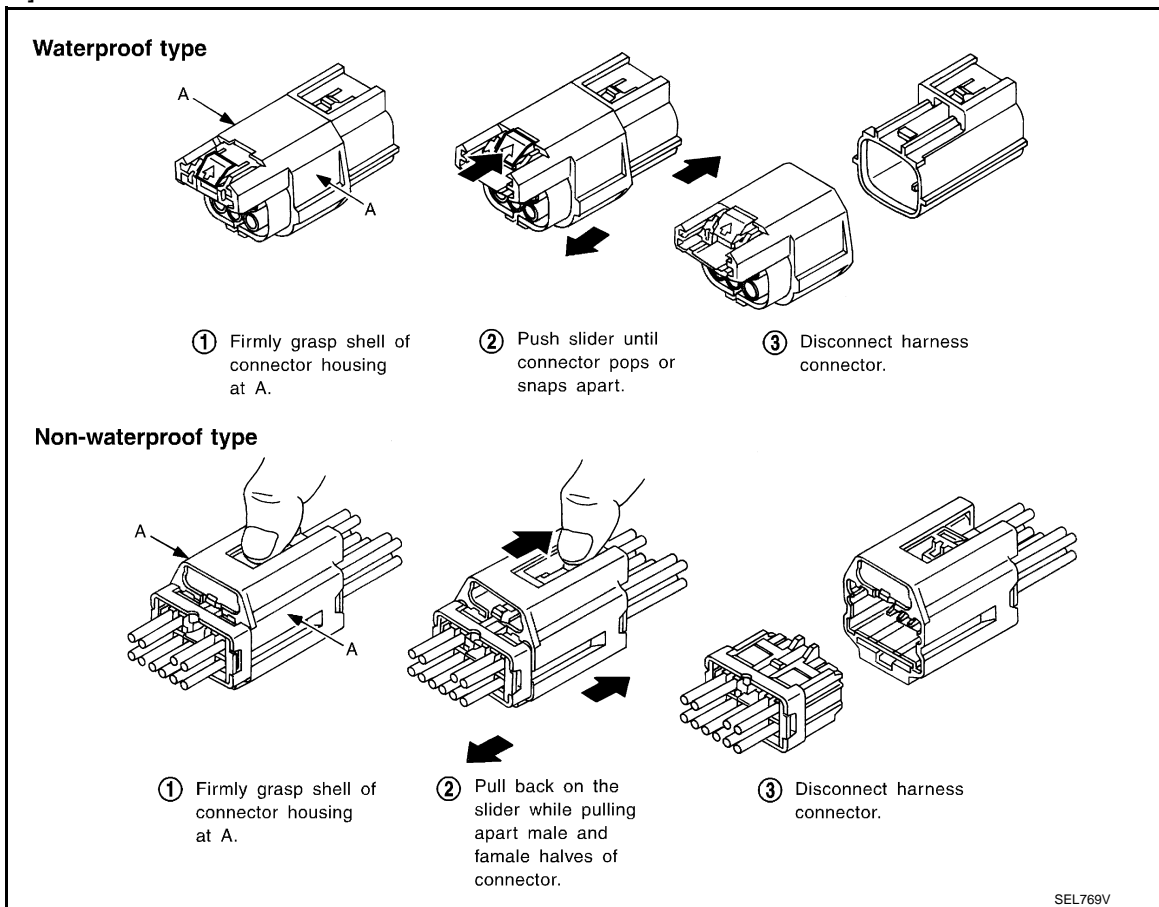
< DTC/CIRCUIT DIAGNOSIS >

[POWER SUPPLY & GROUND CIRCUIT]

CAUTION:

- Never pull the harness or wires when disconnecting the connector.
- Be careful not to damage the connector support bracket when disconnecting the connector.

[Example]



HARNESS CONNECTOR (LEVER LOCKING TYPE)

- Lever locking type harness connectors are used on certain control units and control modules such as ECM, ABS actuator and electric unit (control unit), etc.
- Lever locking type harness connectors are also used on super multiple junction (SMJ) connectors.
- Always confirm the lever is fully locked in place by moving the lever as far as it will go to ensure full connection.

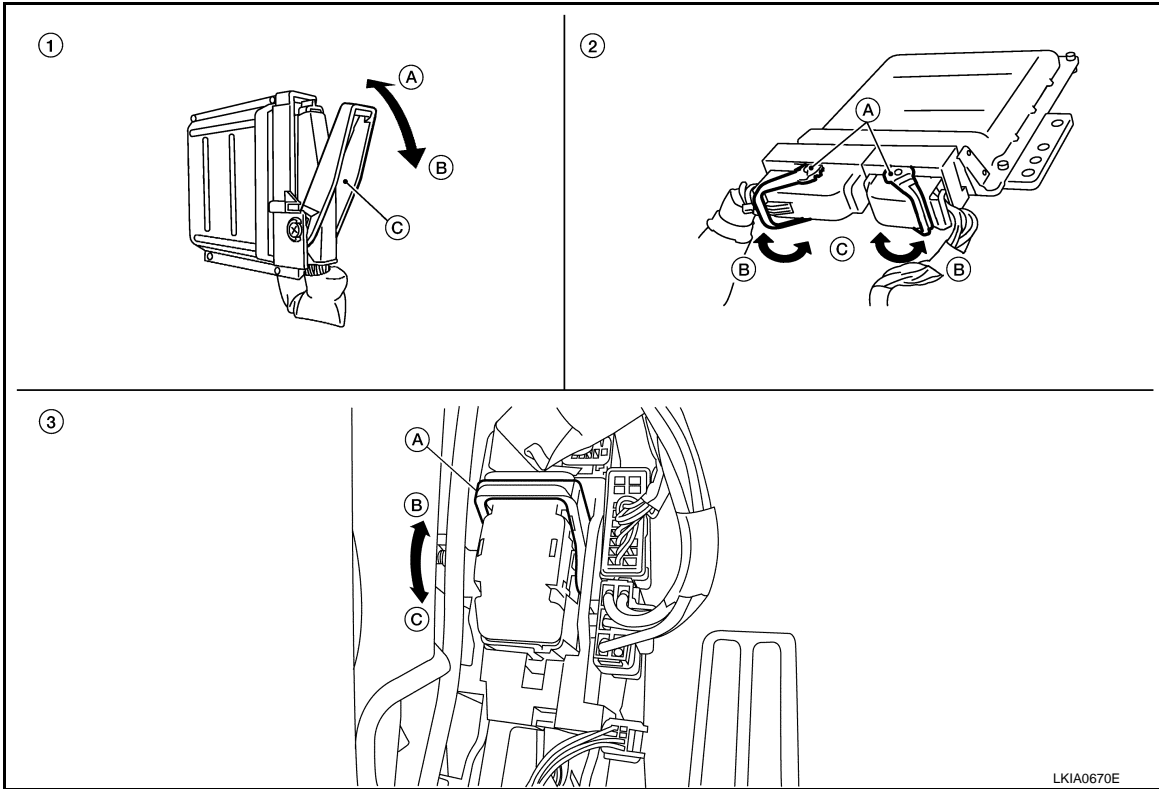
CAUTION:

HARNESS CONNECTOR

< DTC/CIRCUIT DIAGNOSIS >

[POWER SUPPLY & GROUND CIRCUIT]

Always confirm the lever is fully released (loosened) before attempting to disconnect or connect these connectors to avoid damage to the connector housing or terminals.



1. Control unit with single lever
A. Fasten
B. Loosen
C. Lever

2. Control unit with dual levers
A. Levers
B. Fasten
C. Loosen

3. SMJ connector
A. Lever
B. Fasten
C. Loosen

A
B
C
D
E
F
G
H
I
J
K
L
N
O
P

PG

STANDARDIZED RELAY

< DTC/CIRCUIT DIAGNOSIS >

[POWER SUPPLY & GROUND CIRCUIT]

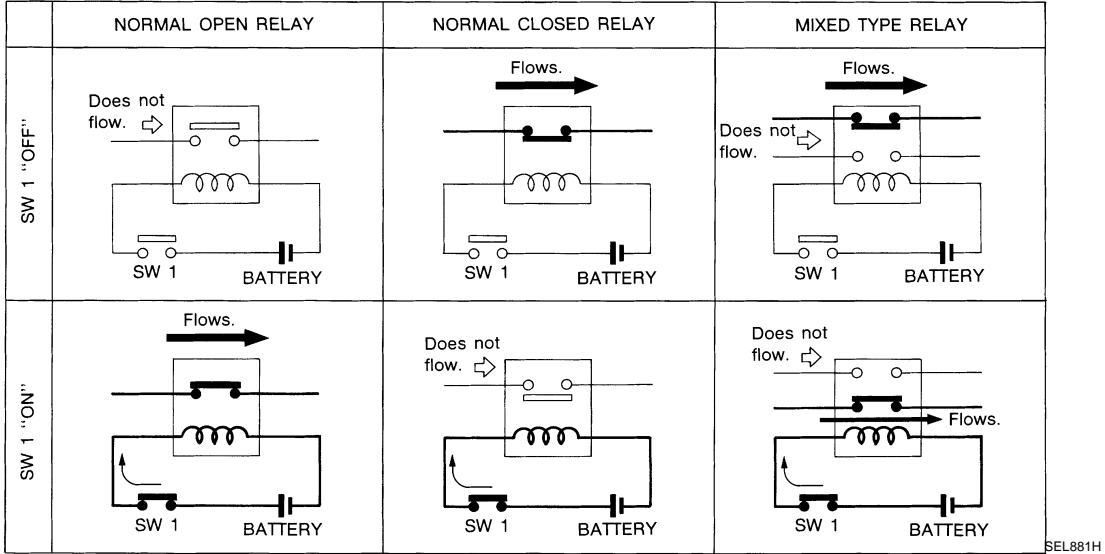
STANDARDIZED RELAY

Description

INFOID:000000010990151

NORMAL OPEN, NORMAL CLOSED AND MIXED TYPE RELAYS

Relays can mainly be divided into three types: normal open, normal closed and mixed type relays.



SEL881H

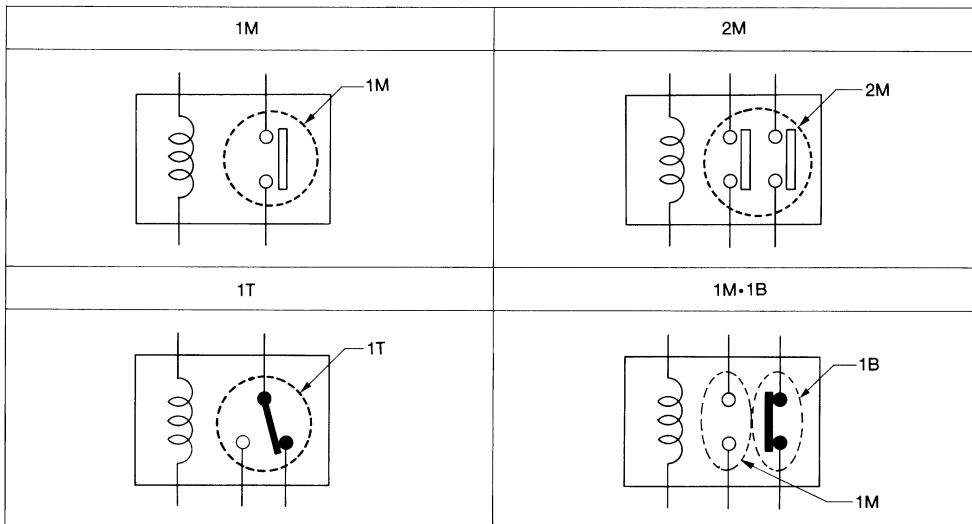
TYPE OF STANDARDIZED RELAYS

1M 1 Make

2M 2 Make

1T 1 Transfer

1M-1B 1 Make 1 Break

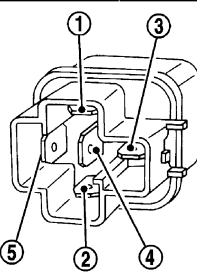
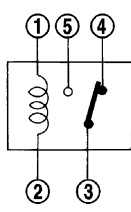
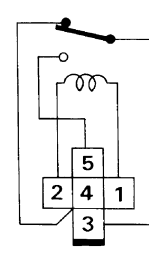
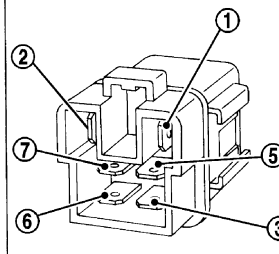
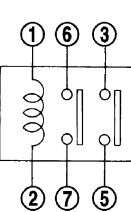
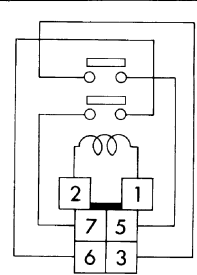
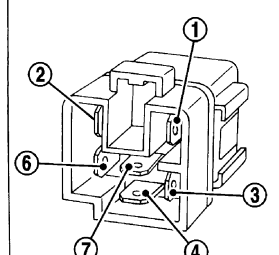
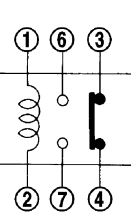
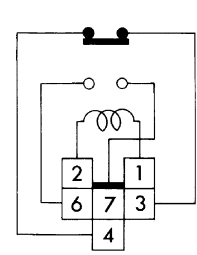
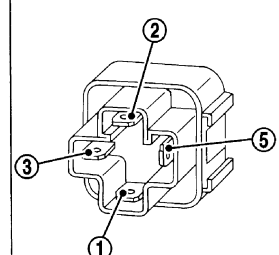
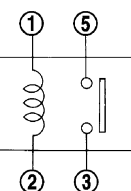
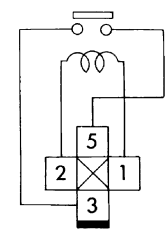
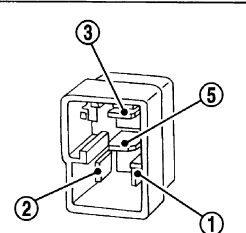
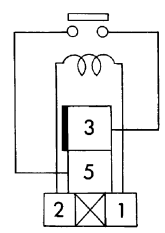


SEL882H

STANDARDIZED RELAY

< DTC/CIRCUIT DIAGNOSIS >

[POWER SUPPLY & GROUND CIRCUIT]

Type	Outer view	Circuit	Connector symbol and connection	Case color
1T				BLACK
2M				BROWN
1M•1B				GRAY
1M				BLUE
				

The arrangement of terminal numbers on the actual relays may differ from those shown above.

SEL188W

A
B
C
D
E
F
G
H
I
J
K
L
PG
N
O
P

FUSE BLOCK - JUNCTION BOX (J/B)

< DTC/CIRCUIT DIAGNOSIS >

[POWER SUPPLY & GROUND CIRCUIT]

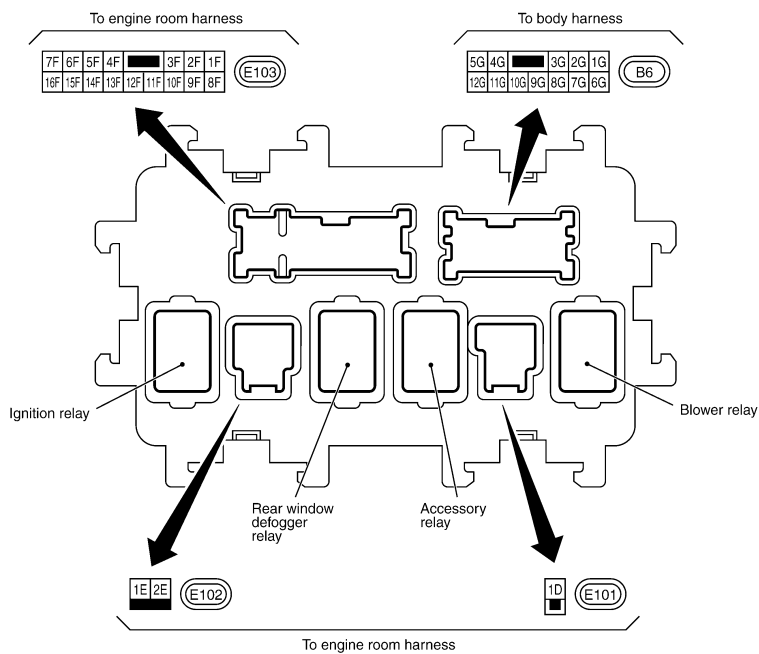
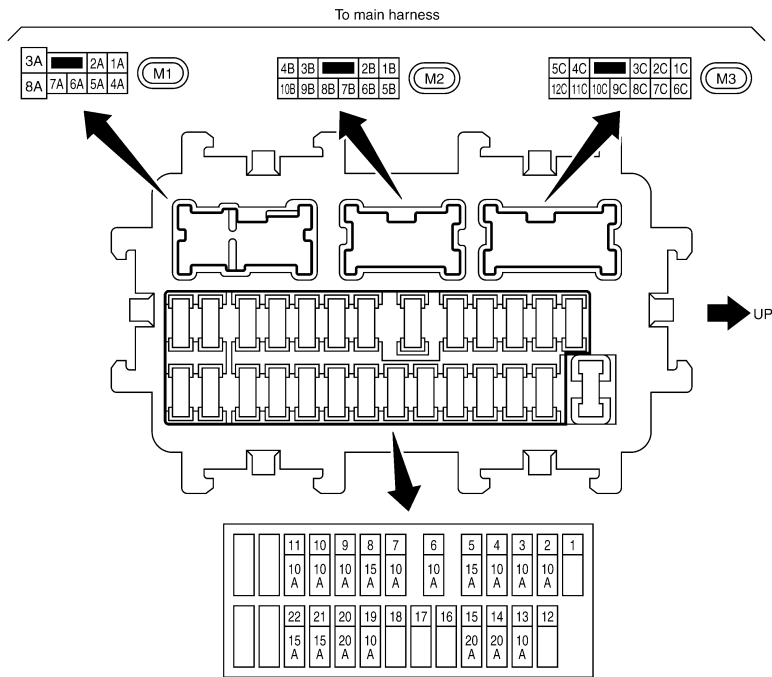
FUSE BLOCK - JUNCTION BOX (J/B)

Fuse, Connector and Terminal Arrangement

INFOID:000000010990152

FUSE BLOCK-JUNCTION BOX (J/B)

FUSE, CONNECTOR AND TERMINAL ARRANGEMENT



2014/06/09

JRMWF9385GB

FUSE, FUSIBLE LINK AND RELAY BOX

< DTC/CIRCUIT DIAGNOSIS >

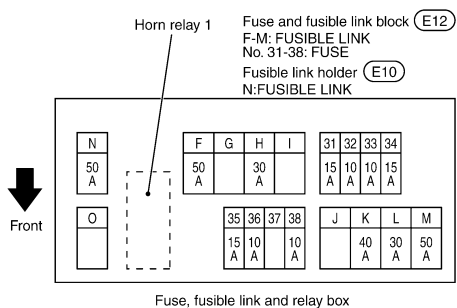
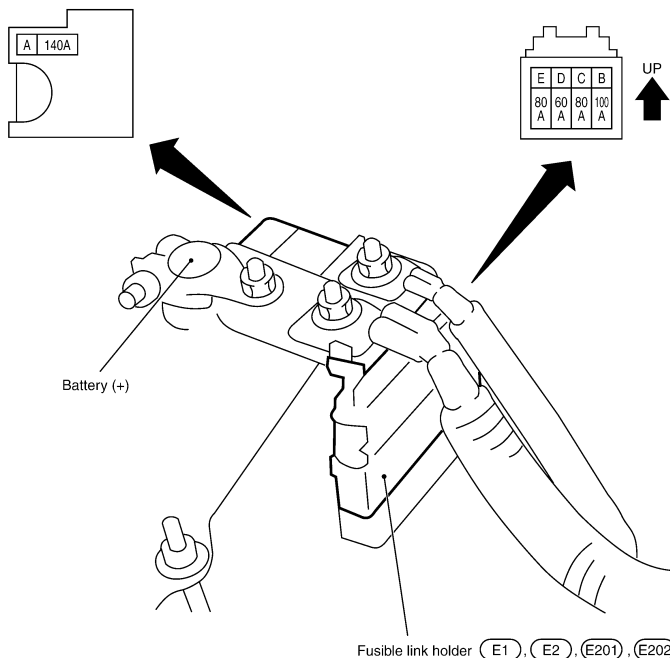
[POWER SUPPLY & GROUND CIRCUIT]

FUSE, FUSIBLE LINK AND RELAY BOX

Fuse and Fusible Link Arrangement

INFOID:000000010990153

FUSE, FUSIBLE LINK AND RELAY BOX FUSE AND FUSIBLE LINK ARRANGEMENT



2014/06/09

JRMWF9386GB

A
B
C
D
E
F
G
H
I
J
K
L
PG
N
O
P

IPDM E/R (INTELLIGENT POWER DISTRIBUTION MODULE ENGINE ROOM)

< DTC/CIRCUIT DIAGNOSIS >

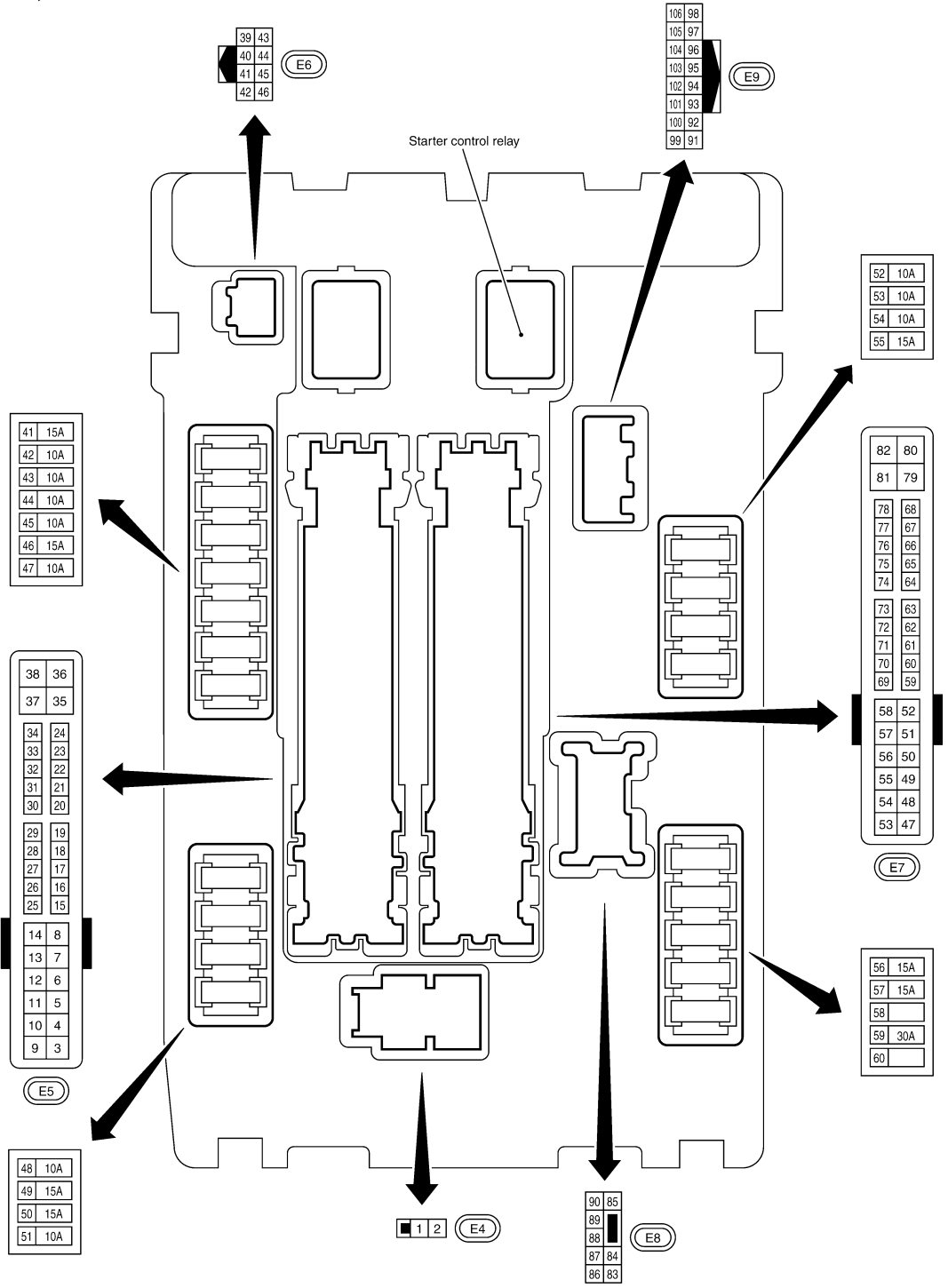
[POWER SUPPLY & GROUND CIRCUIT]

IPDM E/R (INTELLIGENT POWER DISTRIBUTION MODULE ENGINE ROOM)

Fuse, Connector and Terminal Arrangement

INFOID:000000010990154

IPDM E/R (INTELLIGENT POWER DISTRIBUTION MODULE ENGINE ROOM) FUSE, CONNECTOR AND TERMINAL ARRANGEMENT



2014/06/09

To engine room harness

JRMWF9387GB

PRECAUTIONS

< PRECAUTION >

[POWER SUPPLY & GROUND CIRCUIT]

PRECAUTION

PRECAUTIONS

Precaution for Supplemental Restraint System (SRS) "AIR BAG" and "SEAT BELT PRE-TENSIONER"

INFOID:000000010990155

The Supplemental Restraint System such as "AIR BAG" and "SEAT BELT PRE-TENSIONER", used along with a front seat belt, helps to reduce the risk or severity of injury to the driver and front passenger for certain types of collision. This system includes seat belt switch inputs and dual stage front air bag modules. The SRS system uses the seat belt switches to determine the front air bag deployment, and may only deploy one front air bag, depending on the severity of a collision and whether the front occupants are belted or unbelted. Information necessary to service the system safely is included in the "SRS AIR BAG" and "SEAT BELT" of this Service Manual.

WARNING:

Always observe the following items for preventing accidental activation.

- To avoid rendering the SRS inoperative, which could increase the risk of personal injury or death in the event of a collision that would result in air bag inflation, all maintenance must be performed by an authorized NISSAN/INFINITI dealer.
- Improper maintenance, including incorrect removal and installation of the SRS, can lead to personal injury caused by unintentional activation of the system. For removal of Spiral Cable and Air Bag Module, see "SRS AIR BAG".
- Never use electrical test equipment on any circuit related to the SRS unless instructed to in this Service Manual. SRS wiring harnesses can be identified by yellow and/or orange harnesses or harness connectors.

PRECAUTIONS WHEN USING POWER TOOLS (AIR OR ELECTRIC) AND HAMMERS

WARNING:

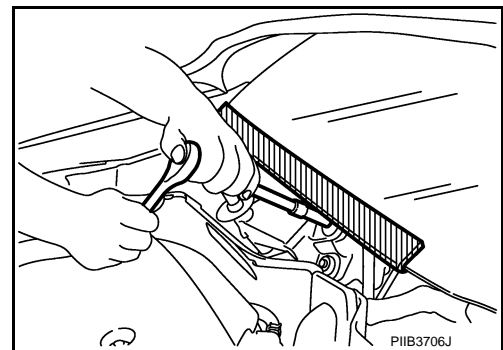
Always observe the following items for preventing accidental activation.

- When working near the Air Bag Diagnosis Sensor Unit or other Air Bag System sensors with the ignition ON or engine running, never use air or electric power tools or strike near the sensor(s) with a hammer. Heavy vibration could activate the sensor(s) and deploy the air bag(s), possibly causing serious injury.
- When using air or electric power tools or hammers, always switch the ignition OFF, disconnect the battery, and wait at least 3 minutes before performing any service.

Precaution for Procedure without Cowl Top Cover

INFOID:000000010990156

When performing the procedure after removing cowl top cover, cover the lower end of windshield with urethane, etc to prevent damage to windshield.



PRECAUTIONS

< PRECAUTION >

[POWER SUPPLY & GROUND CIRCUIT]

Precautions for Removing Battery Terminal

INFOID:000000011401593

- When removing the 12V battery terminal, turn OFF the ignition switch and wait at least 30 seconds.

NOTE:

ECU may be active for several tens of seconds after the ignition switch is turned OFF. If the battery terminal is removed before ECU stops, then a DTC detection error or ECU data corruption may occur.

- For vehicles with the 2-batteries, be sure to connect the main battery and the sub battery before turning ON the ignition switch.

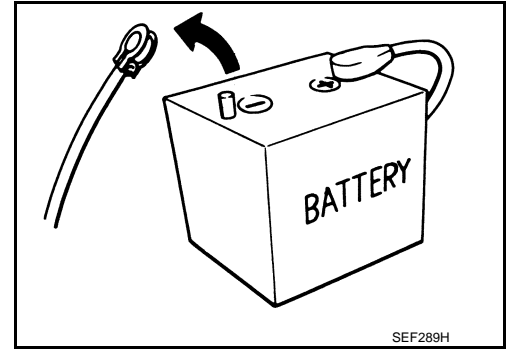
NOTE:

If the ignition switch is turned ON with any one of the terminals of main battery and sub battery disconnected, then DTC may be detected.

- After installing the 12V battery, always check "Self Diagnosis Result" of all ECUs and erase DTC.

NOTE:

The removal of 12V battery may cause a DTC detection error.



PREPARATION

[POWER SUPPLY & GROUND CIRCUIT]


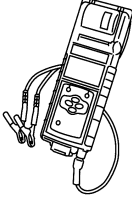
< PREPARATION >

PREPARATION

PREPARATION

Special Service Tools

INFOID:0000000010990157

Tool number (Techmate No.) Tool name	Description
<p>— (←) Model GR8-1200 NI Multitasking battery and electrical diagnostic station</p>  <p style="text-align: right; font-size: small;">AWI1A1239ZZ</p>	<p>Tests batteries, starting and charging systems and charges batteries. For operating instructions, refer to diagnostic station instruction manual.</p>
<p>— (←) Model EXP-800 NI Battery and electrical diagnostic analyzer</p>  <p style="text-align: right; font-size: small;">JSMIA0806ZZ</p>	<p>Tests batteries and charging systems. For operating instructions, refer to diagnostic analyzer instruction manual.</p>

A
B
C
D
E
F
G
H
I
J
K
L
N
O
P

PG

BATTERY

< REMOVAL AND INSTALLATION >

[POWER SUPPLY & GROUND CIRCUIT]

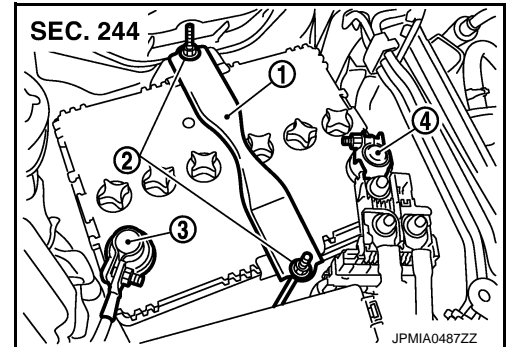
REMOVAL AND INSTALLATION

BATTERY

Exploded View

INFOID:000000010990158

- 1 : Battery fix frame
- 2 : Battery fix frame mounting nuts
- 3 : Battery terminal (-)
- 4 : Battery terminal (+)

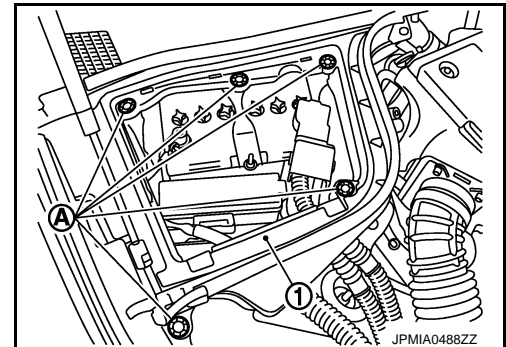


Removal and Installation

INFOID:000000010990159

REMOVAL

1. Remove battery cover.
2. Remove the clips (A), and remove hoodledge cover (RH) (1).

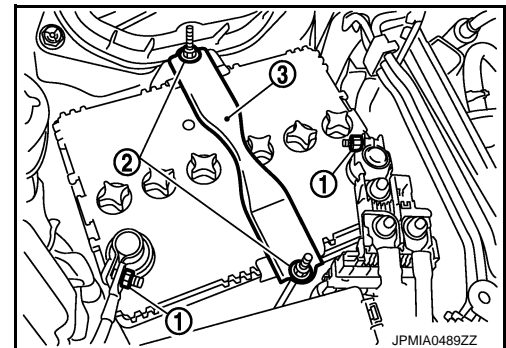


3. Remove cowl top cover (RH). Refer to [EXT-24. "Exploded View"](#).
4. Remove cover of battery positive terminal.
5. Loosen battery terminal nuts (1), and disconnect both battery cables from battery terminals.

CAUTION:

When disconnecting, disconnect the battery cable from the negative terminal first.

6. Remove battery fix frame mounting nuts (2) and battery fix frame (3).
7. Remove battery.



INSTALLATION

Install in the reverse order of removal.

CAUTION:

When connecting, connect the battery cable to the positive terminal first.

Battery fix frame mounting nut

: 3.9 N·m (0.40 kg-m, 35 in-lb)

Battery terminal nut

: 5.4 N·m (0.55 kg-m, 48 in-lb)

BATTERY

< REMOVAL AND INSTALLATION >

[POWER SUPPLY & GROUND CIRCUIT]

Reset electronic systems as necessary. Refer to [GI-56, "ADDITIONAL SERVICE WHEN REMOVING BATTERY NEGATIVE TERMINAL : Required Procedure After Battery Disconnection"](#).

A
B
C
D
E
F
G
H
I
J
K
L
PG
N
O
P

BATTERY TERMINAL WITH FUSIBLE LINK

< REMOVAL AND INSTALLATION >

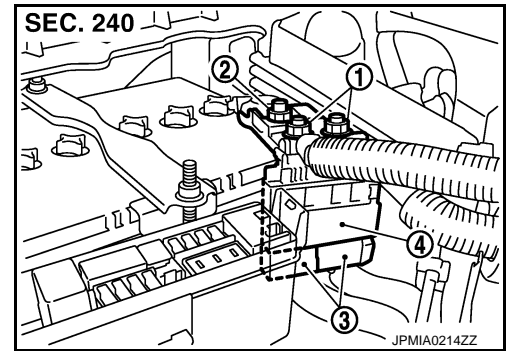
[POWER SUPPLY & GROUND CIRCUIT]

BATTERY TERMINAL WITH FUSIBLE LINK

Exploded View

INFOID:000000010990160

- 1 : Harness mounting nut
- 2 : Fusible link holder mounting nut
- 3 : Harness connector
- 4 : Battery terminal with fusible link

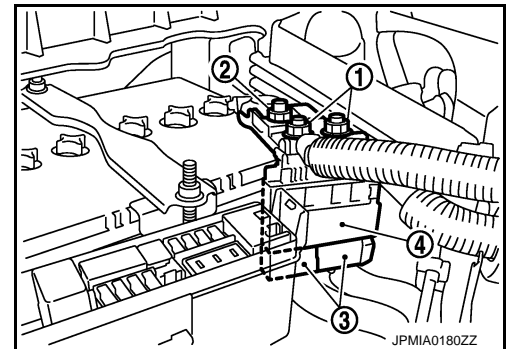


Removal and Installation

INFOID:000000010990161

REMOVAL

1. Remove battery cover.
2. Disconnect the battery cable from the negative terminal.
3. Remove cover of battery positive terminal.
4. Remove harness mounting nuts (1) to disconnect harness connectors (3).
5. Remove fusible link holder mounting nut (2) to remove battery terminal with fusible link (4).



INSTALLATION

Install in the reverse order of removal.

Harness mounting nut

: 13.5 N·m (1.4 kg-m, 10 ft-lb)

Fusible link holder mounting nut

: 13.5 N·m (1.4 kg-m, 10 ft-lb)

SERVICE DATA AND SPECIFICATIONS (SDS)

< SERVICE DATA AND SPECIFICATIONS (SDS)

[POWER SUPPLY & GROUND CIRCUIT]

SERVICE DATA AND SPECIFICATIONS (SDS)

SERVICE DATA AND SPECIFICATIONS (SDS)

Battery

INFOID:0000000010990162

Type		80D23L
20 hour rate capacity	[V - Ah]	12 - 62
Cold cranking current (For reference value)	[A]	582

A
B
C
D
E
F
G
H
I
J
K
L
PG
N
O
P