

SECTION **EI**

EXTERIOR & INTERIOR

A
B
C
D
E
F
G
H
EI
J
K
L
M

CONTENTS

PRECAUTIONS	3	FRONT GRILLE	19
Precautions for Supplemental Restraint System (SRS) "AIR BAG" and "SEAT BELT PRE-TENSIONER"	3	Removal and Installation	19
Precautions for Battery Service	3	REMOVAL	19
Precautions for Work	3	INSTALLATION	19
PREPARATION	4	COWL TOP	20
Special Service Tools	4	Removal and Installation	20
Commercial Service Tools	4	REMOVAL	20
SQUEAK AND RATTLE TROUBLE DIAGNOSES	5	INSTALLATION	20
Work Flow	5	FENDER PROTECTOR	21
CUSTOMER INTERVIEW	5	Removal and Installation	21
DUPLICATE THE NOISE AND TEST DRIVE	6	REMOVAL	21
CHECK RELATED SERVICE BULLETINS	6	INSTALLATION	21
LOCATE THE NOISE AND IDENTIFY THE ROOT CAUSE	6	DOOR OUTSIDE MOLDING	22
REPAIR THE CAUSE	6	Removal and Installation	22
CONFIRM THE REPAIR	7	REMOVAL	22
Generic Squeak and Rattle Troubleshooting	7	INSTALLATION	22
INSTRUMENT PANEL	7	FRONT PILLAR FINISHER	23
CENTER CONSOLE	7	Removal and Installation	23
DOORS	7	REMOVAL	23
TRUNK	8	INSTALLATION	23
SUNROOF/HEADLINING	8	CENTER MUD GUARD	24
SEATS	8	Removal and Installation	24
UNDERHOOD	8	REMOVAL	24
Diagnostic Worksheet	9	INSTALLATION	24
CLIP AND FASTENER	11	WINDSHIELD MOLDING	25
Clip and Fastener	11	Removal and Installation	25
FRONT BUMPER	14	REMOVAL	25
Removal and Installation	14	INSTALLATION	25
REMOVAL	16	REAR WINDOW MOLDING	27
INSTALLATION	16	Removal and Installation	27
REAR BUMPER	17	REMOVAL	27
Removal and Installation	17	INSTALLATION	27
REMOVAL	17	REAR SPOILER	28
INSTALLATION	18	Removal and Installation	28
		REMOVAL	28
		INSTALLATION	28
		ROOF SIDE MOLDING	29
		Removal and Installation	29
		REMOVAL	29
		INSTALLATION	29

DOOR FINISHER	30	FLOOR TRIM	35
Removal and Installation	30	Removal and Installation	35
REMOVAL	30	REMOVAL	35
INSTALLATION	31	INSTALLATION	36
BODY SIDE TRIM	32	HEADLINING	37
Removal and Installation	32	Removal and Installation	37
REAR SIDE FINISHER	32	REMOVAL	37
REAR PILLAR GARNISH	33	INSTALLATION	38
FRONT PILLAR GARNISH	33	TRUNK ROOM TRIM & TRUNK LID FINISHER	39
KICKING PLATE	33	Removal and Installation for Trunk Room Trim	39
CENTER MUD GUARD FINISHER	33	TRUNK ROOM TRIM	39
DASH SIDE FINISHER	33	TRUNK LID FINISHER	40
REAR PARCEL SHELF FINISHER	34		
Removal and Installation	34		
REMOVAL	34		
INSTALLATION	34		

PRECAUTIONS

PRECAUTIONS

PF0:00001

Precautions for Supplemental Restraint System (SRS) “AIR BAG” and “SEAT BELT PRE-TENSIONER”

AIS0056M

The Supplemental Restraint System such as “AIR BAG” and “SEAT BELT PRE-TENSIONER”, used along with a front seat belt, helps to reduce the risk or severity of injury to the driver and front passenger for certain types of collision. This system includes seat belt switch inputs and dual stage front air bag modules. The SRS system uses the seat belt switches to determine the front air bag deployment, and may only deploy one front air bag, depending on the severity of a collision and whether the front occupants are belted or unbelted. Information necessary to service the system safely is included in the SRS and SB section of this Service Manual.

WARNING:

- To avoid rendering the SRS inoperative, which could increase the risk of personal injury or death in the event of a collision which would result in air bag inflation, all maintenance must be performed by an authorized NISSAN/INFINITI dealer.
- Improper maintenance, including incorrect removal and installation of the SRS, can lead to personal injury caused by unintentional activation of the system. For removal of Spiral Cable and Air Bag Module, see the SRS section.
- Do not use electrical test equipment on any circuit related to the SRS unless instructed to in this Service Manual. SRS wiring harnesses can be identified by yellow and/or orange harnesses or harness connectors.

Precautions for Battery Service

AIS0056N

Before disconnecting the battery, lower both the driver and passenger windows. This will prevent any interference between the window edge and the vehicle when the door is opened/closed. During normal operation, the window slightly raises and lowers automatically to prevent any window to vehicle interference. The automatic window function will not work with the battery disconnected.

Precautions for Work

AIS0056O

- After removing and installing the opening/closing parts, be sure to carry out fitting adjustments to check their operation.
- Check the lubrication level, damage, and wear of each part. If necessary, grease or replace it.

PREPARATION

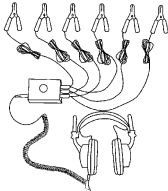
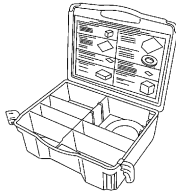
PREPARATION

PFP:00002

Special Service Tools

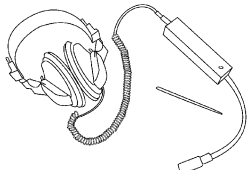
AIS0056P

The actual shapes of Kent-Moore tools may differ from those of special service tools illustrated here.

Tool number (Kent-Moore No.) Tool name	Description
(J39570) Chassis ear  SIIA0993E	Locationg the noise
(J43980) NISSAN Squeak and Rattle Kit  SIIA0994E	Repairing the cause of noise

Commercial Service Tools

AIS0056Q

Tool name	Description
Engine ear  SIIA0995E	Locationg the noise

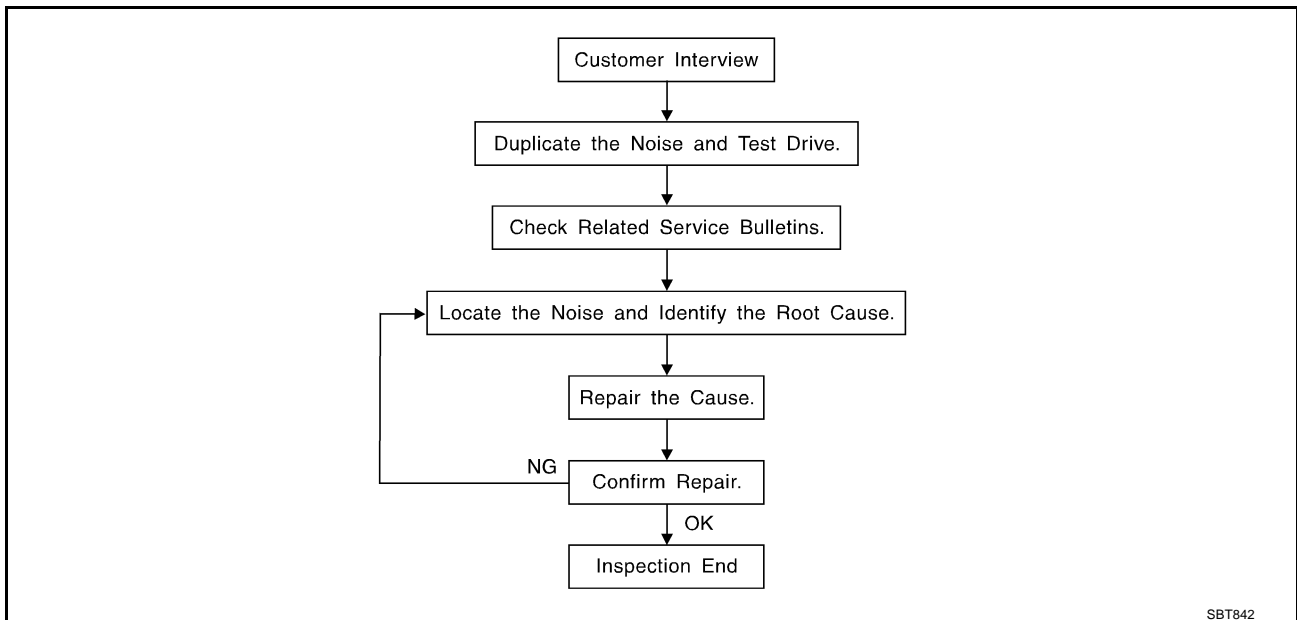
SQUEAK AND RATTLE TROUBLE DIAGNOSES

SQUEAK AND RATTLE TROUBLE DIAGNOSES

PPF:00000

Work Flow

AIS00569



CUSTOMER INTERVIEW

Interview the customer if possible, to determine the conditions that exist when the noise occurs. Use the Diagnostic Worksheet during the interview to document the facts and conditions when the noise occurs and any customer's comments; refer to [EI-9, "Diagnostic Worksheet"](#). This information is necessary to duplicate the conditions that exist when the noise occurs.

- The customer may not be able to provide a detailed description or the location of the noise. Attempt to obtain all the facts and conditions that exist when the noise occurs (or does not occur).
- If there is more than one noise in the vehicle, be sure to diagnose and repair the noise that the customer is concerned about. This can be accomplished by test driving the vehicle with the customer.
- After identifying the type of noise, isolate the noise in terms of its characteristics. The noise characteristics are provided so the customer, service adviser and technician are all speaking the same language when defining the noise.
- Squeak—(Like tennis shoes on a clean floor)
Squeak characteristics include the light contact/fast movement/brought on by road conditions/hard surfaces=higher pitch noise/softer surfaces=lower pitch noises/edge to surface=chirping
- Creak—(Like walking on an old wooden floor)
Creak characteristics include firm contact/slow movement/twisting with a rotational movement/pitch dependent on materials/often brought on by activity.
- Rattle—(Like shaking a baby rattle)
Rattle characteristics include the fast repeated contact/vibration or similar movement/loose parts/missing clip or fastener/incorrect clearance.
- Knock—(Like a knock on a door)
Knock characteristics include hollow sounding/sometimes repeating/often brought on by driver action.
- Tick—(Like a clock second hand)
Tick characteristics include gentle contacting of light materials/loose components/can be caused by driver action or road conditions.
- Thump—(Heavy, muffled knock noise)
Thump characteristics include softer knock/dead sound often brought on by activity.
- Buzz—(Like a bumble bee)
Buzz characteristics include high frequency rattle/firm contact.
- Often the degree of acceptable noise level will vary depending upon the person. A noise that you may judge as acceptable may be very irritating to the customer.
- Weather conditions, especially humidity and temperature, may have a great effect on noise level.

SQUEAK AND RATTLE TROUBLE DIAGNOSES

DUPLICATE THE NOISE AND TEST DRIVE

If possible, drive the vehicle with the customer until the noise is duplicated. Note any additional information on the Diagnostic Worksheet regarding the conditions or location of the noise. This information can be used to duplicate the same conditions when you confirm the repair.

If the noise can be duplicated easily during the test drive, to help identify the source of the noise, try to duplicate the noise with the vehicle stopped by doing one or all of the following:

- 1) Close a door.
 - 2) Tap or push/pull around the area where the noise appears to be coming from.
 - 3) Rev the engine.
 - 4) Use a floor jack to recreate vehicle "twist".
 - 5) At idle, apply engine load (electrical load, half-clutch on M/T model, drive position on A/T model).
 - 6) Raise the vehicle on a hoist and hit a tire with a rubber hammer.
- Drive the vehicle and attempt to duplicate the conditions the customer states exist when the noise occurs.
 - If it is difficult to duplicate the noise, drive the vehicle slowly on an undulating or rough road to stress the vehicle body.

CHECK RELATED SERVICE BULLETINS

After verifying the customer concern or symptom, check ASIST for Technical Service Bulletins (TSBs) related to that concern or symptom.

If a TSB relates to the symptom, follow the procedure to repair the noise.

LOCATE THE NOISE AND IDENTIFY THE ROOT CAUSE

1. Narrow down the noise to a general area. To help pinpoint the source of the noise, use a listening tool (Chassis Ear: J-39570, Engine Ear: and mechanics stethoscope).
2. Narrow down the noise to a more specific area and identify the cause of the noise by:
 - removing the components in the area that you suspect the noise is coming from.
Do not use too much force when removing clips and fasteners, otherwise clips and fastener can be broken or lost during the repair, resulting in the creation of new noise.
 - tapping or pushing/pulling the component that you suspect is causing the noise.
Do not tap or push/pull the component with excessive force, otherwise the noise will be eliminated only temporarily.
 - feeling for a vibration with your hand by touching the component(s) that you suspect is (are) causing the noise.
 - placing a piece of paper between components that you suspect are causing the noise.
 - looking for loose components and contact marks.
Refer to [EI-7, "Generic Squeak and Rattle Troubleshooting"](#) .

REPAIR THE CAUSE

- If the cause is a loose component, tighten the component securely.
- If the cause is insufficient clearance between components:
 - separate components by repositioning or loosening and retightening the component, if possible.
 - insulate components with a suitable insulator such as urethane pads, foam blocks, felt cloth tape or urethane tape. A Nissan Squeak and Rattle Kit (J43980) is available through your authorized Nissan Parts Department.

CAUTION:

Do not use excessive force as many components are constructed of plastic and may be damaged.

Always check with the Parts Department for the latest parts information.

The following materials are contained in the Nissan Squeak and Rattle Kit (J43980). Each item can be ordered separately as needed.

URETHANE PADS [1.5 mm (0.059 in) thick]

Insulates connectors, harness, etc.

76268-9E005: 100 × 135 mm (3.94 × 5.31 in)/76884-71L01: 60 × 85 mm (2.36 × 3.35 in)/76884-71L02: 15 × 25 mm (0.59 × 0.98 in)

INSULATOR (Foam blocks)

Insulates components from contact. Can be used to fill space behind a panel.

73982-9E000: 45 mm (1.77 in) thick, 50 × 50 mm (1.97 × 1.97 in)/73982-50Y00: 10 mm (0.39 in) thick, 50 × 50 mm (1.97 × 1.97 in)

SQUEAK AND RATTLE TROUBLE DIAGNOSES

INSULATOR (Light foam block)

80845-71L00: 30 mm (1.18 in) thick, 30 × 50 mm (1.18 × 1.97 in)

FELT CLOTHTAPE

Used to insulate where movement does not occur. Ideal for instrument panel applications.

68370-4B000: 15 × 25 mm (0.59 × 0.98 in) pad/68239-13E00: 5 mm (0.20 in) wide tape roll The following materials, not found in the kit, can also be used to repair squeaks and rattles.

UHMW(TEFLON) TAPE

Insulates where slight movement is present. Ideal for instrument panel applications.

SILICONE GREASE

Used in place of UHMW tape that will be visible or not fit.

Note: Will only last a few months.

SILICONE SPRAY

Use when grease cannot be applied.

DUCT TAPE

Use to eliminate movement.

CONFIRM THE REPAIR

Confirm that the cause of a noise is repaired by test driving the vehicle. Operate the vehicle under the same conditions as when the noise originally occurred. Refer to the notes on the Diagnostic Worksheet.

Generic Squeak and Rattle Troubleshooting

AIS0056A

Refer to Table of Contents for specific component removal and installation information.

INSTRUMENT PANEL

Most incidents are caused by contact and movement between:

1. The cluster lid A and instrument panel
2. Acrylic lens and combination meter housing
3. Instrument panel to front pillar garnish
4. Instrument panel to windshield
5. Instrument panel mounting pins
6. Wiring harnesses behind the combination meter
7. A/C defroster duct and duct joint

These incidents can usually be located by tapping or moving the components to duplicate the noise or by pressing on the components while driving to stop the noise. Most of these incidents can be repaired by applying felt cloth tape or silicon spray (in hard to reach areas). Urethane pads can be used to insulate wiring harness.

CAUTION:

Do not use silicone spray to isolate a squeak or rattle. If you saturate the area with silicone, you will not be able to recheck the repair.

CENTER CONSOLE

Components to pay attention to include:

1. Shifter assembly cover to finisher
2. A/C control unit and cluster lid C
3. Wiring harnesses behind audio and A/C control unit

The instrument panel repair and isolation procedures also apply to the center console.

DOORS

Pay attention to the:

1. Finisher and inner panel making a slapping noise
2. Inside handle escutcheon to door finisher
3. Wiring harnesses tapping
4. Door striker out of alignment causing a popping noise on starts and stops

Tapping or moving the components or pressing on them while driving to duplicate the conditions can isolate many of these incidents. You can usually insulate the areas with felt cloth tape or insulator foam blocks from the Nissan Squeak and Rattle Kit (J43980) to repair the noise.

SQUEAK AND RATTLE TROUBLE DIAGNOSES

TRUNK

Trunk noises are often caused by a loose jack or loose items put into the trunk by the owner. In addition look for:

1. Trunk lid dumpers out of adjustment
2. Trunk lid striker out of adjustment
3. The trunk lid torsion bars knocking together
4. A loose license plate or bracket

Most of these incidents can be repaired by adjusting, securing or insulating the item(s) or component(s) causing the noise.

SUNROOF/HEADLINING

Noises in the sunroof/headlining area can often be traced to one of the following:

1. Sunroof lid, rail, linkage or seals making a rattle or light knocking noise
2. Sunvisor shaft shaking in the holder
3. Front or rear windshield touching headlining and squeaking

Again, pressing on the components to stop the noise while duplicating the conditions can isolate most of these incidents. Repairs usually consist of insulating with felt cloth tape.

SEATS

When isolating seat noise it's important to note the position the seat is in and the load placed on the seat when the noise is present. These conditions should be duplicated when verifying and isolating the cause of the noise.

Cause of seat noise include:

1. Headrest rods and holder
2. A squeak between the seat pad cushion and frame
3. The rear seatback lock and bracket

These noises can be isolated by moving or pressing on the suspected components while duplicating the conditions under which the noise occurs. Most of these incidents can be repaired by repositioning the component or applying urethane tape to the contact area.

UNDERHOOD

Some interior noise may be caused by components under the hood or on the engine wall. The noise is then transmitted into the passenger compartment.

Causes of transmitted underhood noise include:

1. Any component mounted to the engine wall
2. Components that pass through the engine wall
3. Engine wall mounts and connectors
4. Loose radiator mounting pins
5. Hood bumpers out of adjustment
6. Hood striker out of adjustment

These noises can be difficult to isolate since they cannot be reached from the interior of the vehicle. The best method is to secure, move or insulate one component at a time and test drive the vehicle. Also, engine RPM or load can be changed to isolate the noise. Repairs can usually be made by moving, adjusting, securing, or insulating the component causing the noise.

SQUEAK AND RATTLE TROUBLE DIAGNOSES

Diagnostic Worksheet

AIS0056B



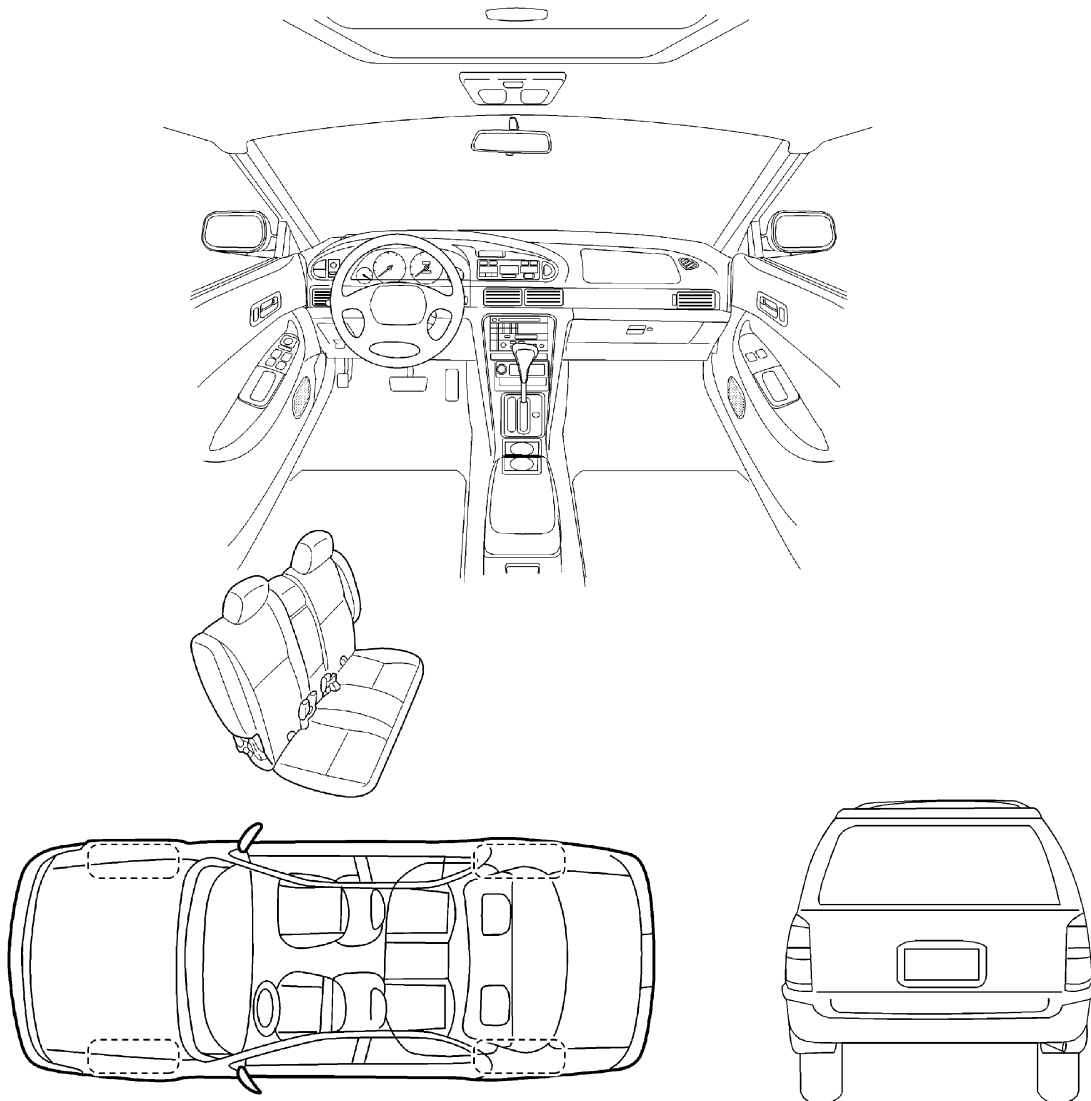
SQUEAK & RATTLE DIAGNOSTIC WORKSHEET

Dear Infiniti Customer:

We are concerned about your satisfaction with your Infiniti vehicle. Repairing a squeak or rattle sometimes can be very difficult. To help us fix your Infiniti right the first time, please take a moment to note the area of the vehicle where the squeak or rattle occurs and under what conditions. You may be asked to take a test drive with a service advisor or technician to ensure we confirm the noise you are hearing.

I. WHERE DOES THE NOISE COME FROM? (circle the area of the vehicle)

The illustrations are for reference only, and may not reflect the actual configuration of your vehicle.



Continue to the back of the worksheet and briefly describe the location of the noise or rattle. In addition, please indicate the conditions which are present when the noise occurs.

SBT860

A
B
C
D
E
F
G
H
EI
J
K
L
M

SQUEAK AND RATTLE TROUBLE DIAGNOSES

SQUEAK & RATTLE DIAGNOSTIC WORKSHEET- page 2

Briefly describe the location where the noise occurs:

II. WHEN DOES IT OCCUR? (check the boxes that apply)

- | | |
|--|---|
| <input type="checkbox"/> anytime | <input type="checkbox"/> after sitting out in the sun |
| <input type="checkbox"/> 1 st time in the morning | <input type="checkbox"/> when it is raining or wet |
| <input type="checkbox"/> only when it is cold outside | <input type="checkbox"/> dry or dusty conditions |
| <input type="checkbox"/> only when it is hot outside | <input type="checkbox"/> other: _____ |

III. WHEN DRIVING:

- through driveways
- over rough roads
- over speed bumps
- only at about ____ mph
- on acceleration
- coming to a stop
- on turns : left, right or either (circle)
- with passengers or cargo
- other: _____
- after driving ____ miles or ____ minutes

IV. WHAT TYPE OF NOISE?

- squeak (like tennis shoes on a clean floor)
- creak (like walking on an old wooden floor)
- rattle (like shaking a baby rattle)
- knock (like a knock on a door)
- tick (like a clock second hand)
- thump (heavy, muffled knock noise)
- buzz (like a bumble bee)

TO BE COMPLETED BY DEALERSHIP PERSONNEL

Test Drive Notes:

	YES	NO	Initials of person performing
Vehicle test driven with customer	<input type="checkbox"/>	<input type="checkbox"/>	_____
- Noise verified on test drive	<input type="checkbox"/>	<input type="checkbox"/>	_____
- Noise source located and repaired	<input type="checkbox"/>	<input type="checkbox"/>	_____
- Follow up test drive performed to confirm repair	<input type="checkbox"/>	<input type="checkbox"/>	_____

VIN: _____ Customer Name: _____

W.O. #: _____ Date: _____

This form must be attached to Work Order

SBT844


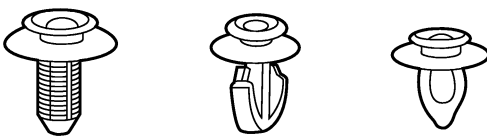
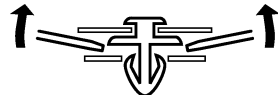

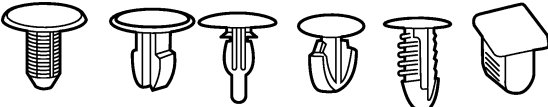
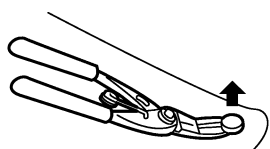

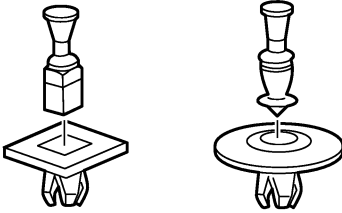
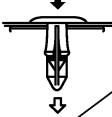
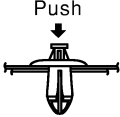

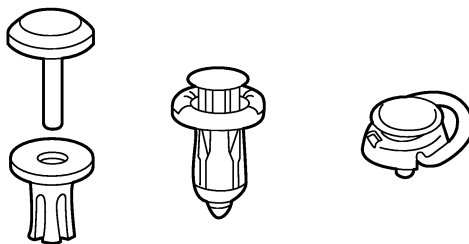


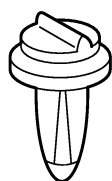
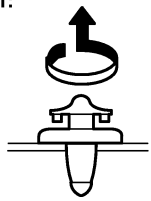
CLIP AND FASTENER

CLIP AND FASTENER

PFP:76906

Clip and Fastener


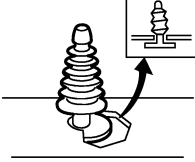
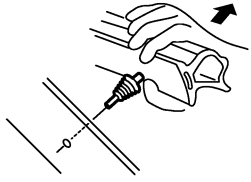

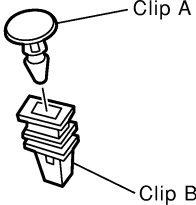
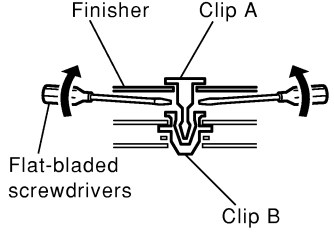

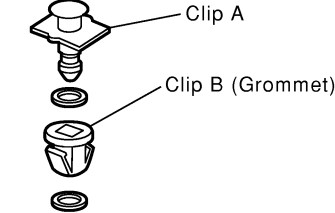
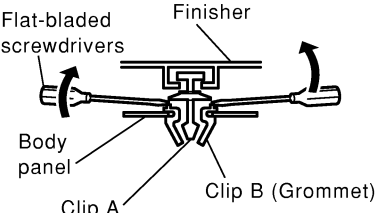
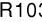

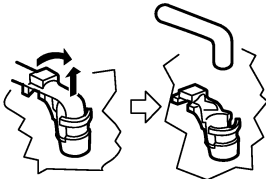

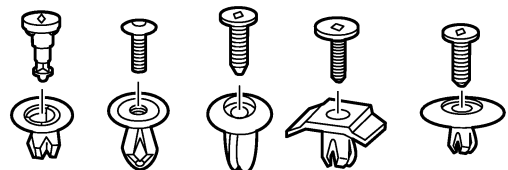

AIS001B4

Symbol No.	Shapes	Removal & Installation
<p>C101</p> 		<p>Removal: Remove by bending up with flat-bladed screwdrivers or clip remover.</p> 
<p>C103</p> 		 <p>Removal: Remove with a clip remover.</p>
<p>C203</p> 		<p>Removal: Push center pin to catching position. (Do not remove center pin by hitting it.)</p> <p>Push</p>  <p>Installation:</p> 
<p>C205</p> 		<p>Removal: Flat-bladed screwdriver</p>  <p>Clip</p> <p>Finisher</p>
<p>C206</p> 		<p>Removal:</p> 

A
B
C
D
E
F
G
H
EI
J
K
L
M


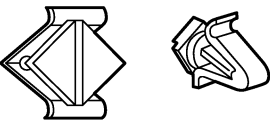

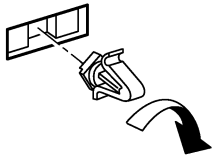





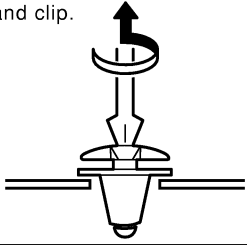



SIIA0315E

CLIP AND FASTENER

Symbol No.	Shapes	Removal & Installation
<p>CE103</p> 		<p>Removal:</p> 
<p>CF110</p> 		<p>Removal:</p> 
<p>CF118</p> 		<p>Removal:</p> 
<p>CR103</p> 		<p>Removal: Holder portion of clip must be spread out to remove rod.</p> 
<p>CS101</p> 		<p>Removal:</p> <ol style="list-style-type: none"> 1. Screw out with a Phillips screwdriver. 2. Remove female portion with flat-bladed screwdriver. 

SIIA0316E

CLIP AND FASTENER

Symbol No.	Shapes	Removal & Installation	
CG101 		Removal:  Rotate 45° to remove	Installation: 
CS102 			
CS113 		Removal: Disconnect upper connection of clip with a flat-bladed screwdriver, then remove clip while inserting a flat-bladed screwdriver between body panel and clip. 	
C111 			

A
B
C
D
E
F
G
H
EI
J
K
L
M

SIIA0317E

FRONT BUMPER

FRONT BUMPER

PFP:F2022

Removal and Installation

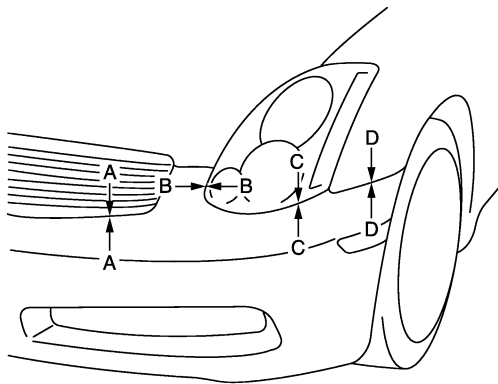
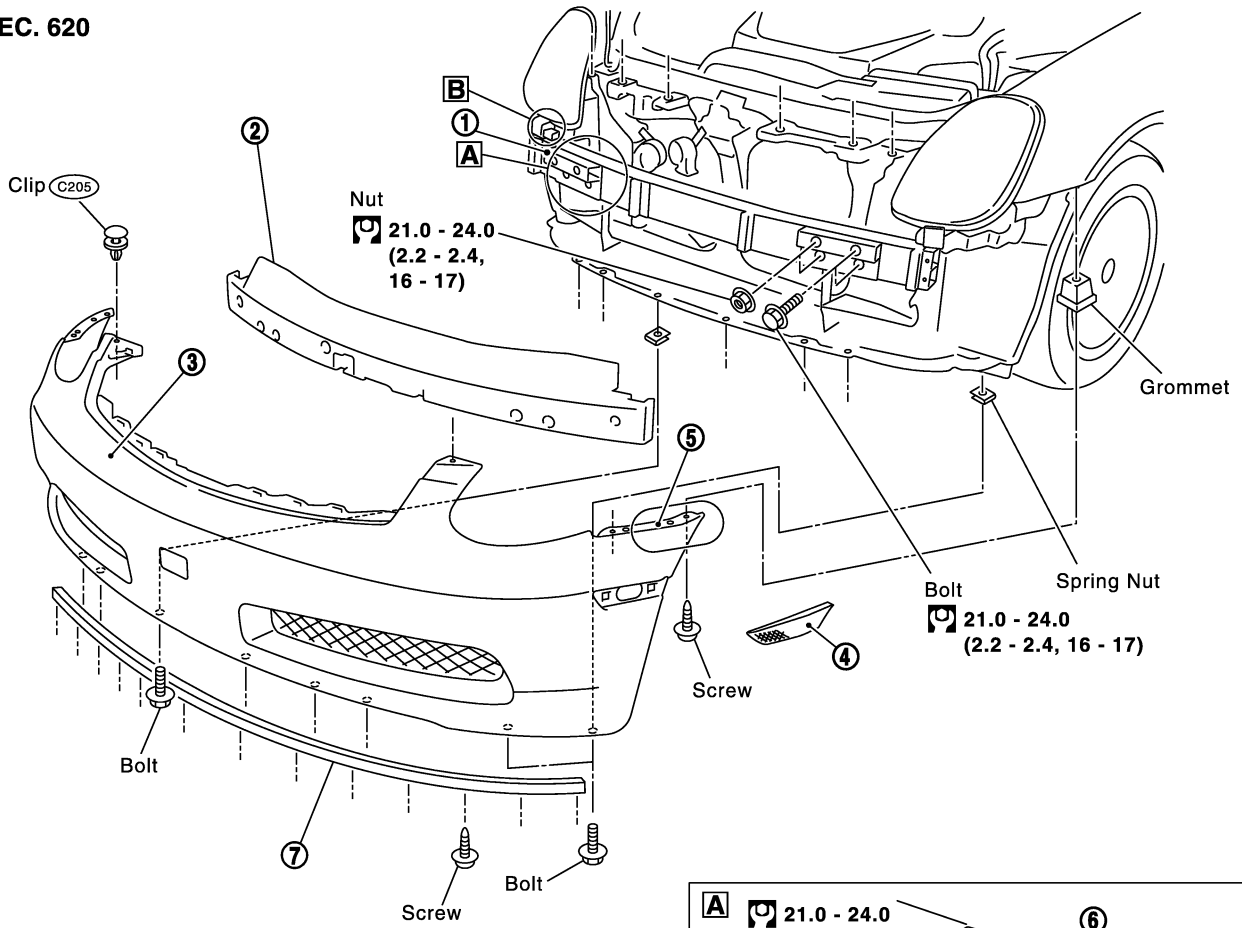
AIS001B5

CAUTION:

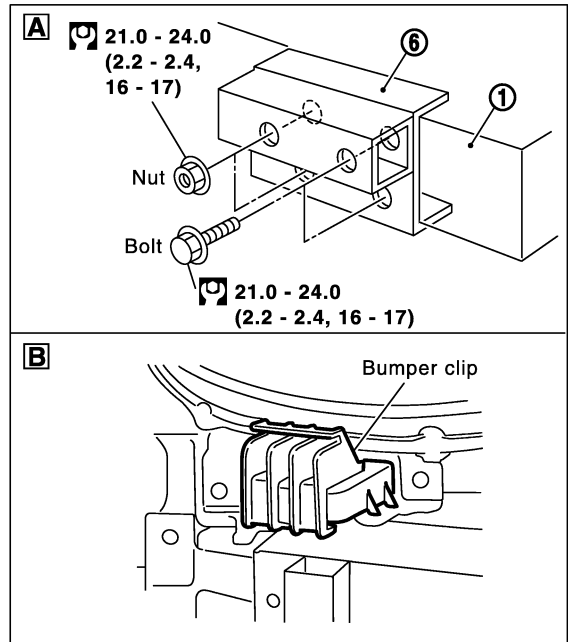
Bumper fascia is made of resin. Do not apply strong force to it, and be careful to prevent contact with oil.

FRONT BUMPER

SEC. 620



Clearance measurement
between parts
A - A: 0.5 - 3.5 (0.020 - 0.138)
B - B: 2.5 - 5.5 (0.098 - 0.217)
C - C: 1.5 - 4.5 (0.059 - 0.177)
D - D: 0 - 1.5 (0 - 0.059)
Unit: mm (in)



: N•m (kg-m, ft-lb)

PIIA3563E

1. Bumper reinforcement

2. Energy absorber

3. Bumper fascia assembly

A
B
C
D
E
F
G
H
EI
J
K
L
M

FRONT BUMPER

- 4. Side turn signal lamp
- 5. Bumper side bracket
- 6. Bumper over rider
- 7. Front air spoiler

REMOVAL

1. Remove bumper clips, front grille clips, and remove front grille. Refer to [EI-19, "FRONT GRILLE"](#) .
2. Remove screws of front air spoiler and remove front air spoiler.
3. Remove bolts on lower side of bumper.
4. Remove screws and clips of both right/left fender protectors on front side. Refer to [EI-21, "FENDER PROTECTOR"](#) .
5. Remove screws of both right/left fender.
6. Disconnect turn signal lamp harness connector.
7. Remove bumper fascia assembly.
8. Remove energy absorber.
9. Remove bolts and nuts of bumper reinforcement and remove bumper reinforcement.
10. Remove bolts of bumper bracket and remove bumper bracket.
11. Remove side turn signal lamps located in bumper fascia. Refer to [LT-119, "Removal and Installation of Front Turn Signal Lamp"](#) .

INSTALLATION

Install in the reverse order of removal.

REAR BUMPER

PFP:H5022

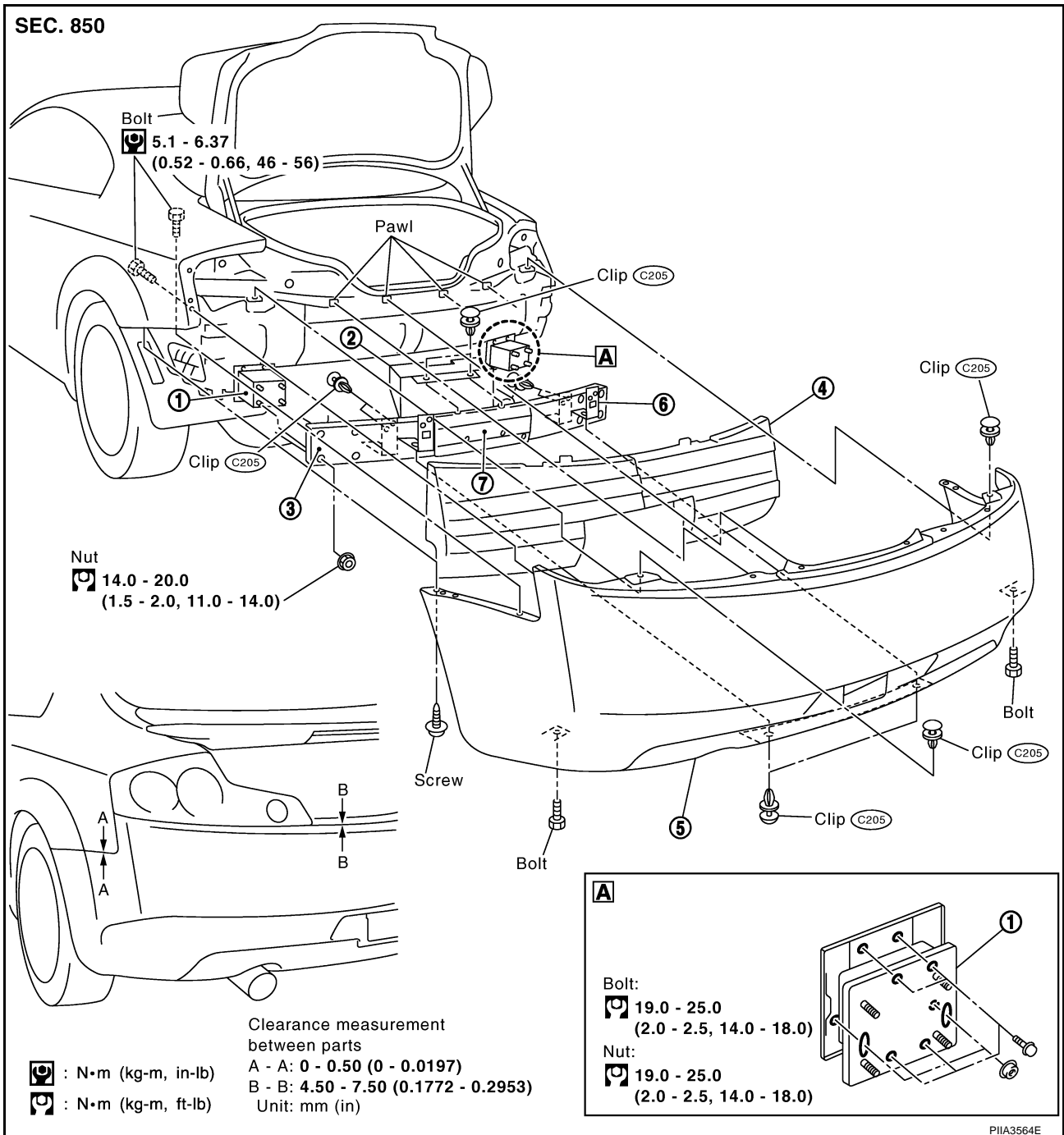
REAR BUMPER

Removal and Installation

AIS001B6

CAUTION:

Bumper fascia is made of resin. Do not apply strong force to it, and be careful to prevent contact with oil.



- | | | |
|----------------------------|---------------------------|----------------------------|
| 1. Bumper stay | 2. Energy absorber (rear) | 3. Bumper reinforcement |
| 4. Energy absorber (front) | 5. Bumper fascia assembly | 6. Bumper retainer (lower) |
| 7. Bumper overrider | | |

REMOVAL

1. Remove trunk trim. Refer to [EI-39, "TRUNK ROOM TRIM & TRUNK LID FINISHER"](#) .
2. Remove rear combination lamp assembly. Refer to [LT-161, "Removal and Installation"](#) .
3. Remove bumper fascia bolts from both right/left rear fender.

REAR BUMPER

4. Remove upper portion of bumper fascia clips, and remove screw of lower portion.
5. Pull out center of bumper fascia, and remove bumper fascia from clips.
6. Disconnect license lamp harness connector and remove bumper fascia assembly.
7. Remove energy absorber.
8. Remove reinforcement assembly nuts.

INSTALLATION

Install in the reverse order of removal.

FRONT GRILLE

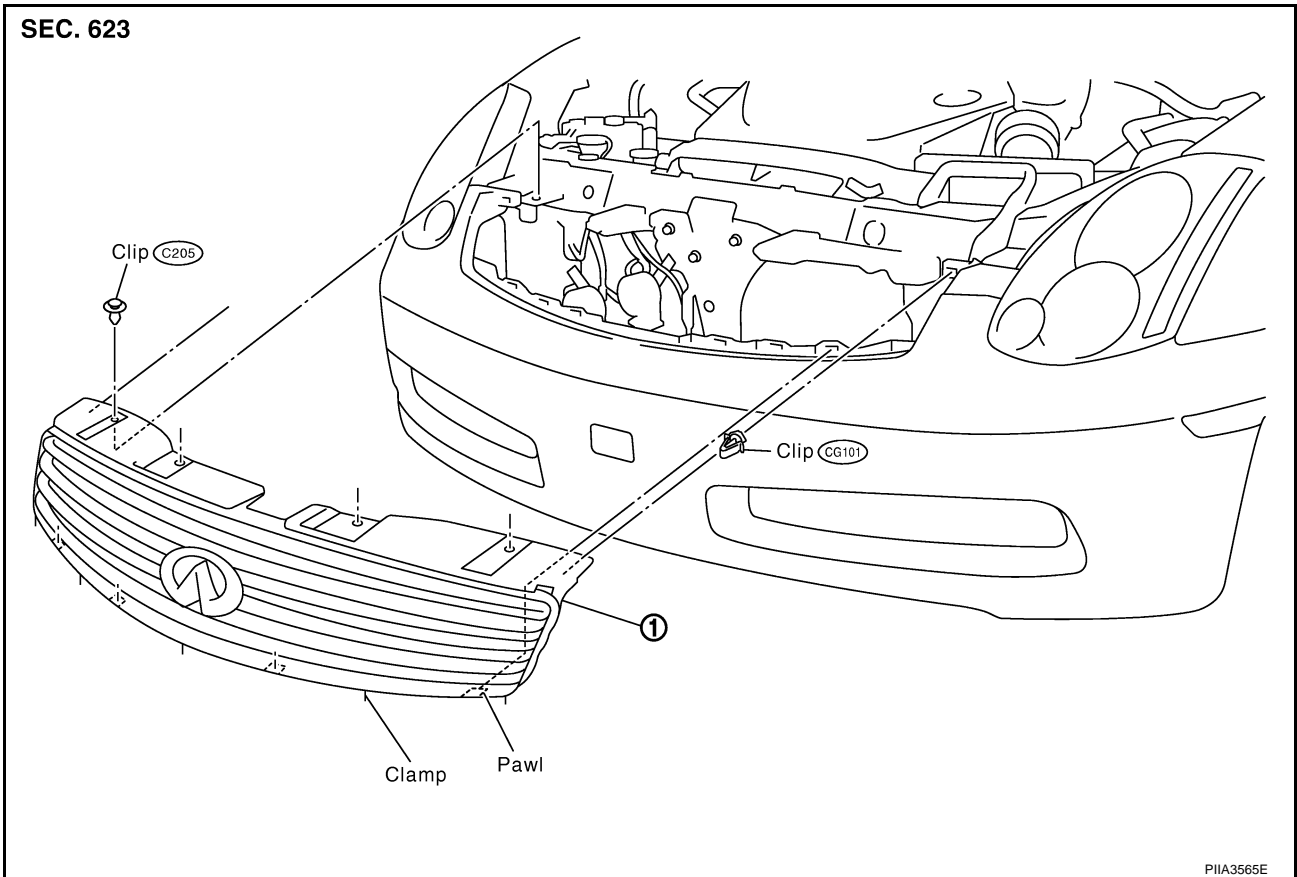
FRONT GRILLE

PFP:62310

Removal and Installation

AIS001B7

A
B
C
D
E
F
G
H
EI
J
K
L
M



1. Front grille

REMOVAL

1. Apply protection tape around outer circumference of front grille (bumper fascia side).
2. Remove clips on upper side of grille.
3. Pull down tips of four turn fasteners from rear side of grille.
4. Pull out grille, and disconnect turn fasteners and remove grille.

INSTALLATION

Install in the reverse order of removal.

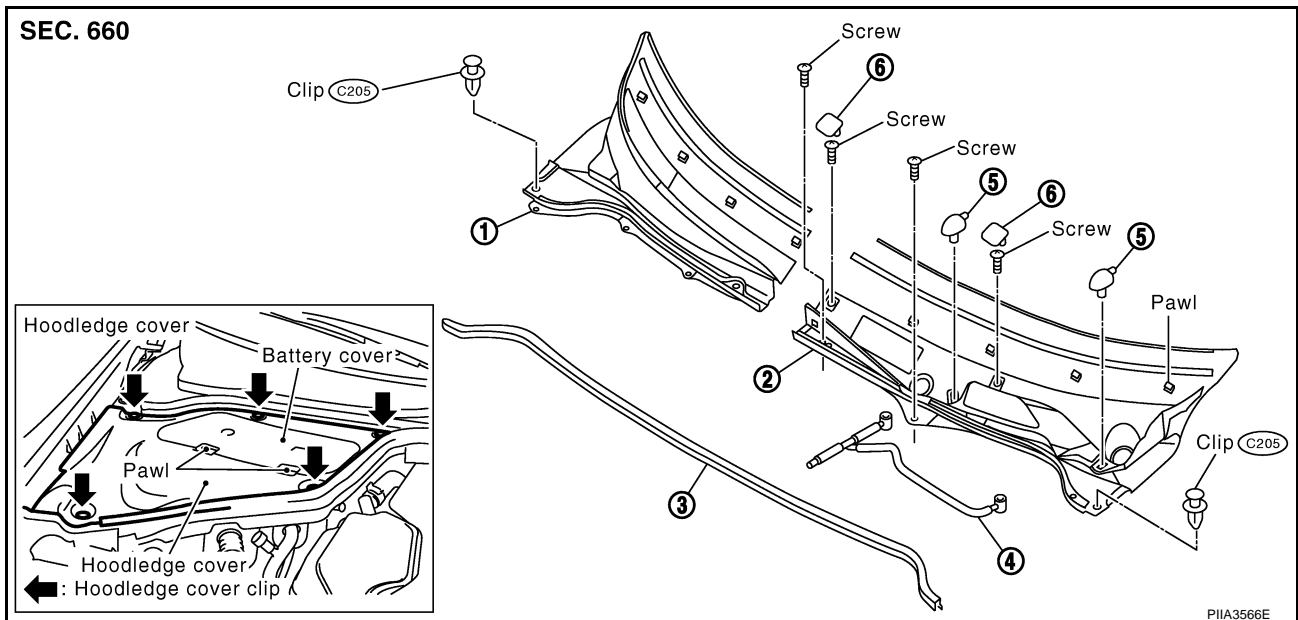
COWL TOP

COWL TOP

PFP:66100

Removal and Installation

AIS001B8



REMOVAL

1. Remove hood ledge cover.
2. Remove both right/left wiper arms. Refer to [WW-31, "Removal and Installation for Front Wiper and Washer Switch"](#).
3. Remove cowl top seal rubber.
4. Remove clips of cowl top cover and remove cowl top cover (right).
5. Remove clips, cap and screws and remove cowl top cover (left).
6. Remove washer tube joint and hose from cowl top cover.

INSTALLATION

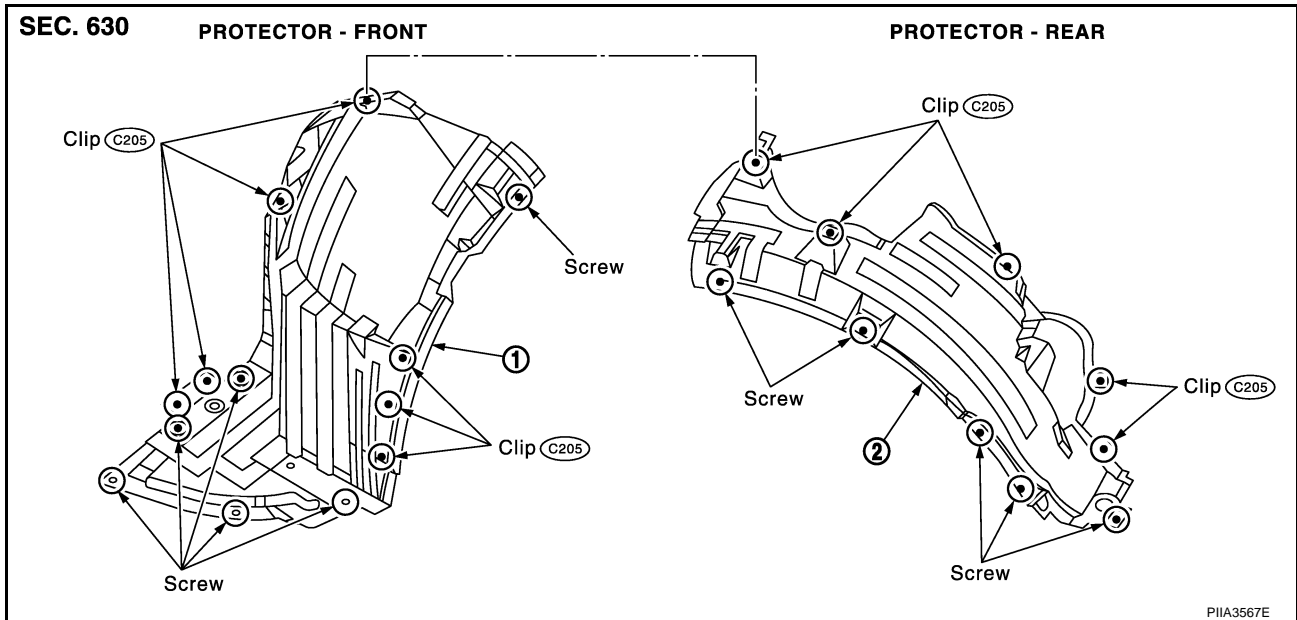
Install in the reverse order of removal.

FENDER PROTECTOR

FENDER PROTECTOR Removal and Installation

PPF:63840

AIS001B9



1. Fender protector (front)

2. Fender protector (rear)

REMOVAL

1. Remove screws and clips of fender protector.
2. Remove fender protector (front/rear).

INSTALLATION

Install in the reverse order of removal.

A
B
C
D
E
F
G
H
EI
J
K
L
M

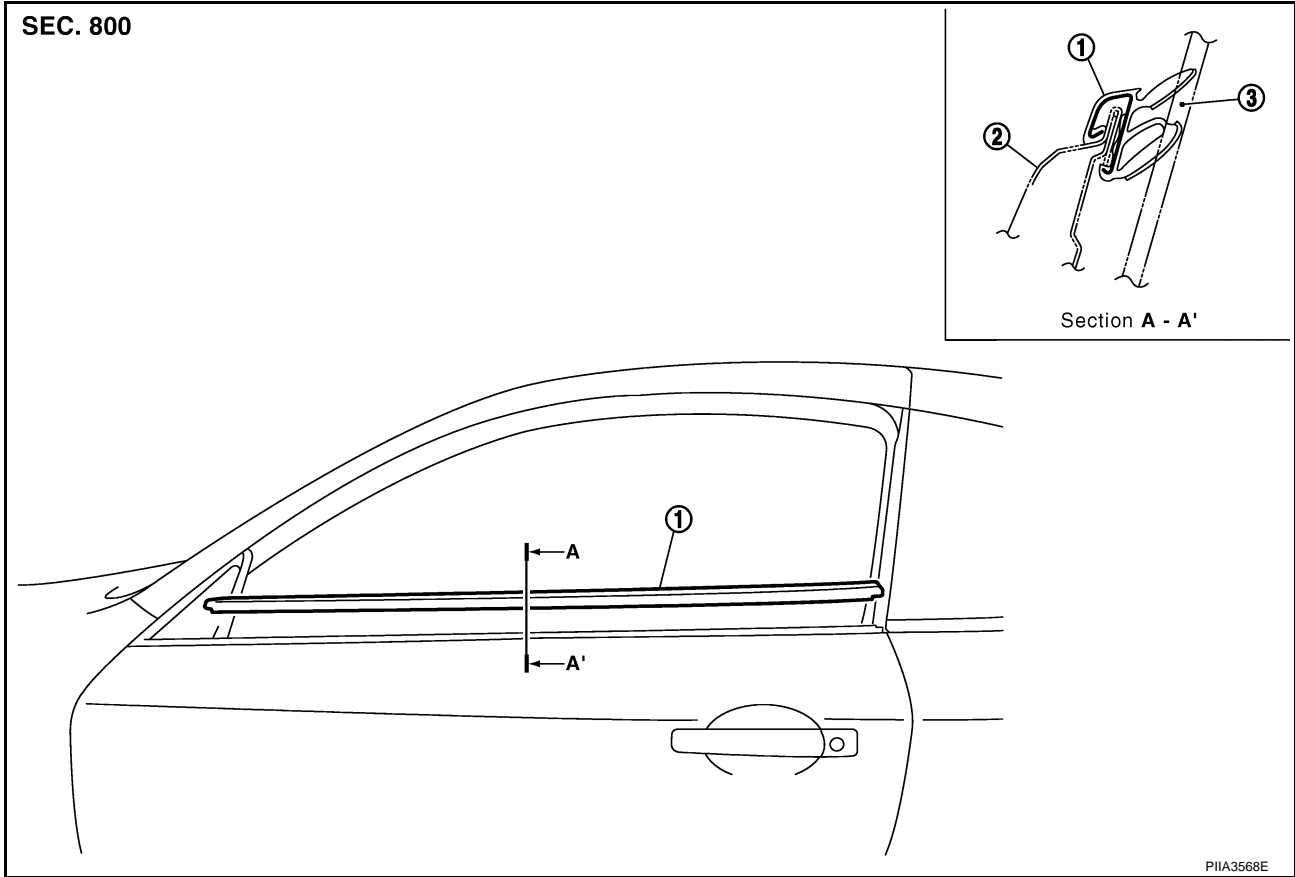
DOOR OUTSIDE MOLDING

DOOR OUTSIDE MOLDING

PFP:82820

Removal and Installation

AIS001BA



1. Door outside molding

2. Door panel (outer)

3. Door glass

REMOVAL

1. Open windows fully.
2. Disconnect rear edge of molding.
3. Lift up to upper side and remove molding assembly.

INSTALLATION

Install in the reverse order of removal.

FRONT PILLAR FINISHER

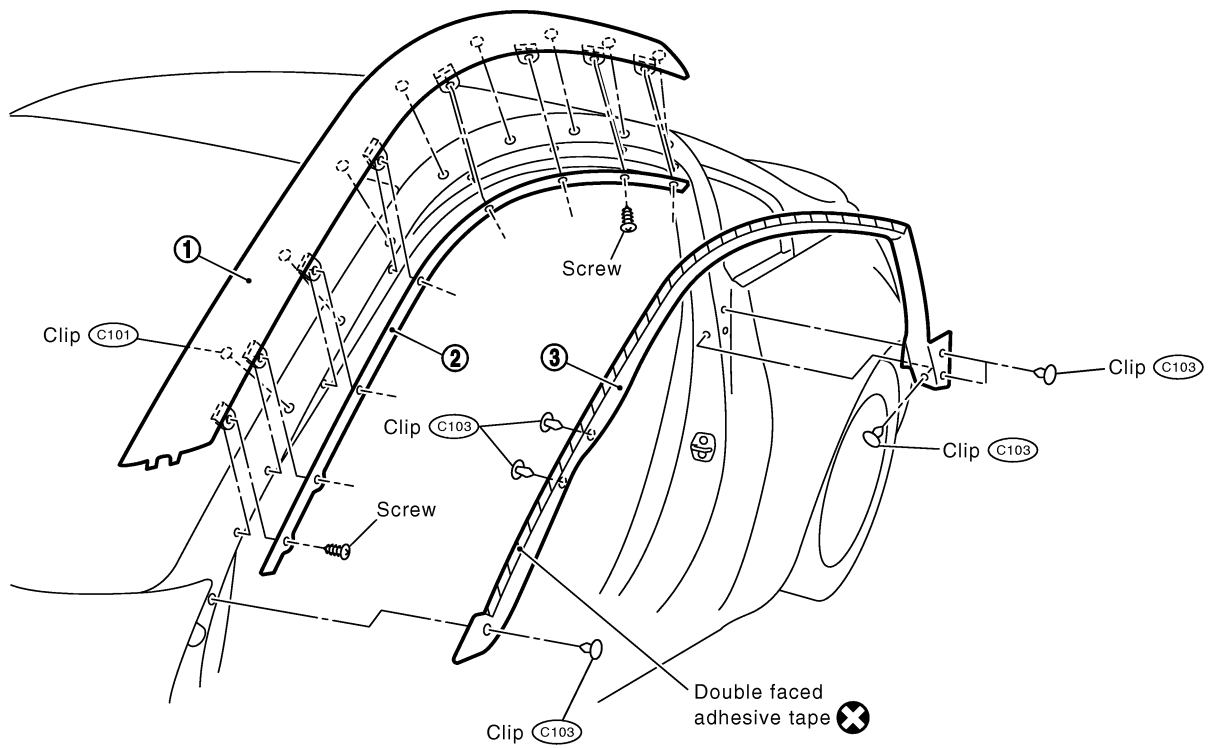
FRONT PILLAR FINISHER

PFP:76836

Removal and Installation

AIS00271

SEC. 766•767



⊗: Always replace after every disassembly.

PIIA3571E

1. Front pillar finisher 2. Retainer body side weatherstrip 3. Body side weatherstrip

REMOVAL

1. Remove clip and double-faced adhesive tapes of body side weatherstrip.
2. Remove body side weatherstrip.
3. Remove screw of retainer body side weatherstrip.
4. Remove screw and clip of front pillar finisher.
5. Remove front pillar finisher.

INSTALLATION

Install in the reverse order of removal.

A
B
C
D
E
F
G
H
EI
J
K
L
M

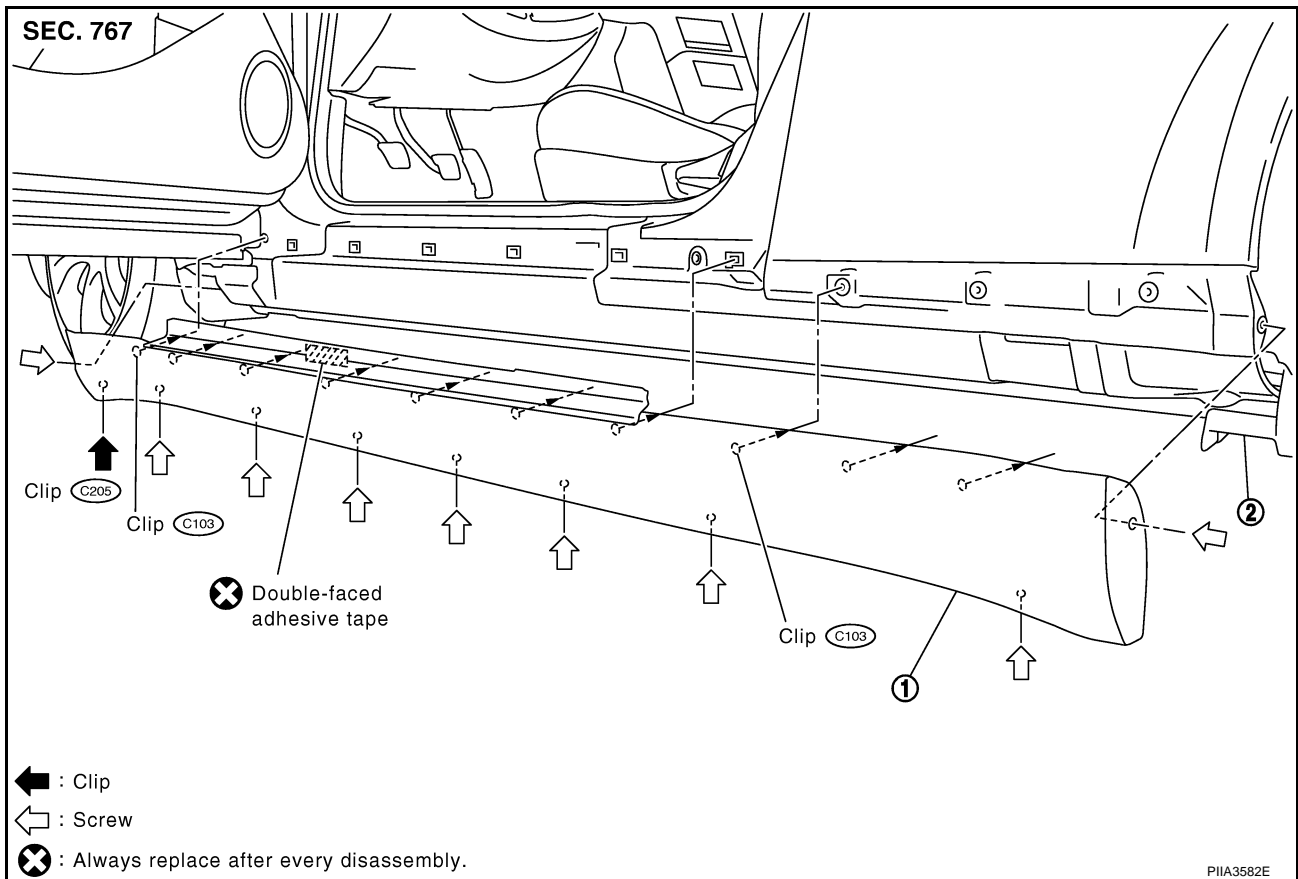
CENTER MUD GUARD

CENTER MUD GUARD

PFP:76850

Removal and Installation

AIS001BE



1. Center mud guard

2. Center mud guard rear

REMOVAL

1. Remove center mud guard finisher. Refer to [EI-32, "BODY SIDE TRIM"](#) .
2. Remove screws on front, rear and lower side of center mud guard.
3. Disconnect clips on back side of center mud guard.
4. Remove center mud guard.

INSTALLATION

Install in the reverse order of removal.

WINDSHIELD MOLDING

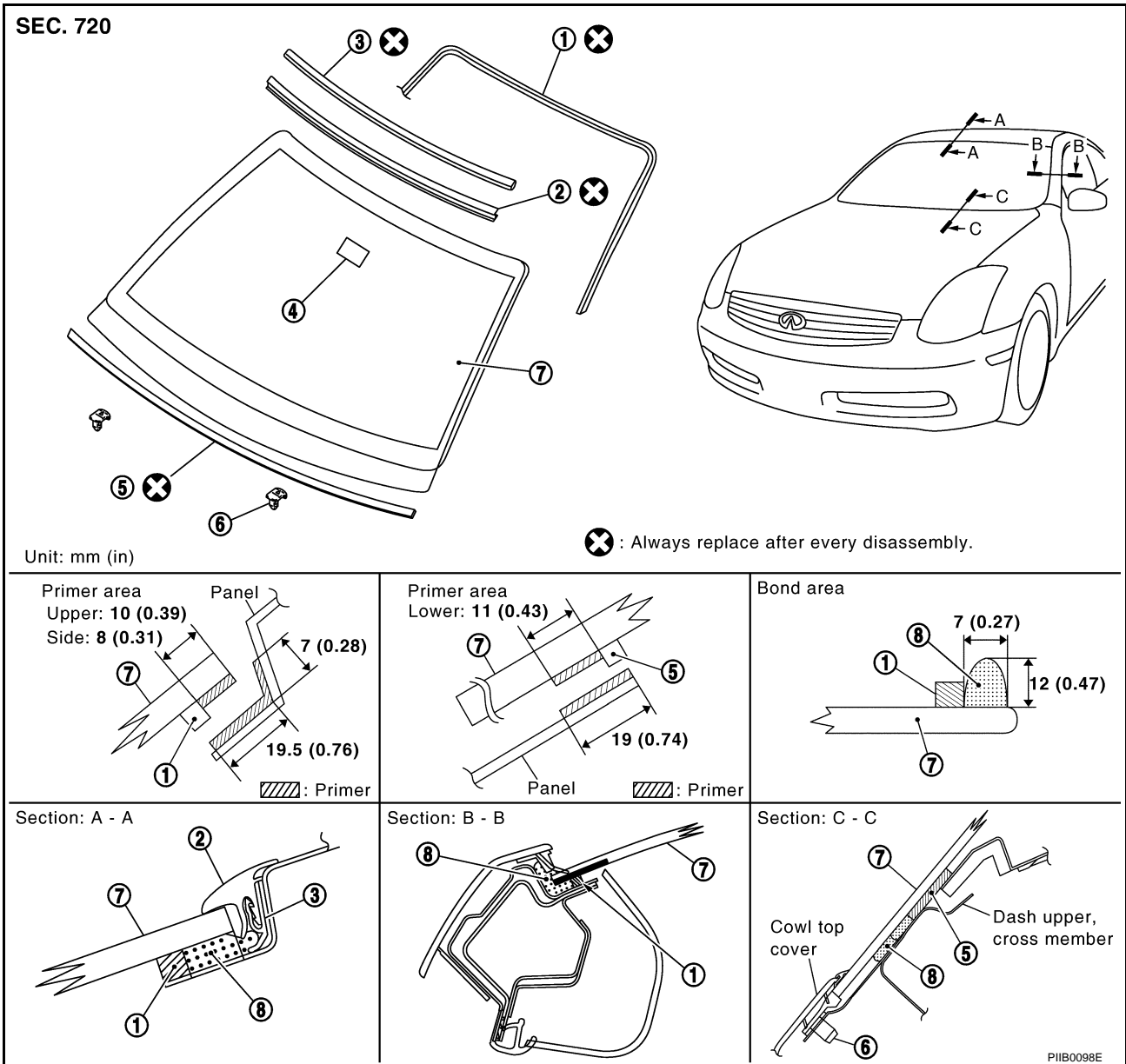
WINDSHIELD MOLDING

PFP:72700

Removal and Installation

AIS001BG

A
B
C
D
E
F
G
H
EI
J
K
L
M



- | | | |
|---------------------|--------------------|-------------|
| 1. Dam rubber | 2. Molding (upper) | 3. Fastener |
| 4. Mirror base | 5. Insulator | 6. Spacer |
| 7. Windshield glass | 8. Bond | |

REMOVAL

Remove windshield molding. Refer to [GW-11, "WINDSHIELD GLASS"](#).

NOTE:

- Apply protective tape around circumference of windshield.
- Guiding a cutter knife along glass, cut surface of molding.
- Using pliers, draw out all remaining molding left in flanged area of body, and remove it completely from adhering surface on glass.

INSTALLATION

Install windshield molding. Refer to [GW-11, "WINDSHIELD GLASS"](#).

NOTE:

- Align matching marks on body and glass. Install glass to body.

WINDSHIELD MOLDING

- Press entire surface of glass lightly to fit it completely.

Using a spatula, repair any adhesive overflow or shortage to make surface smooth. Position windshield moldings and allow their adhesion.

CAUTION:

- **Be sure to install windshield molding before adhesive hardens.**
- **After installing glass, keep door windows open and avoid driving vehicle until adhesive has completely cured.**

REAR WINDOW MOLDING

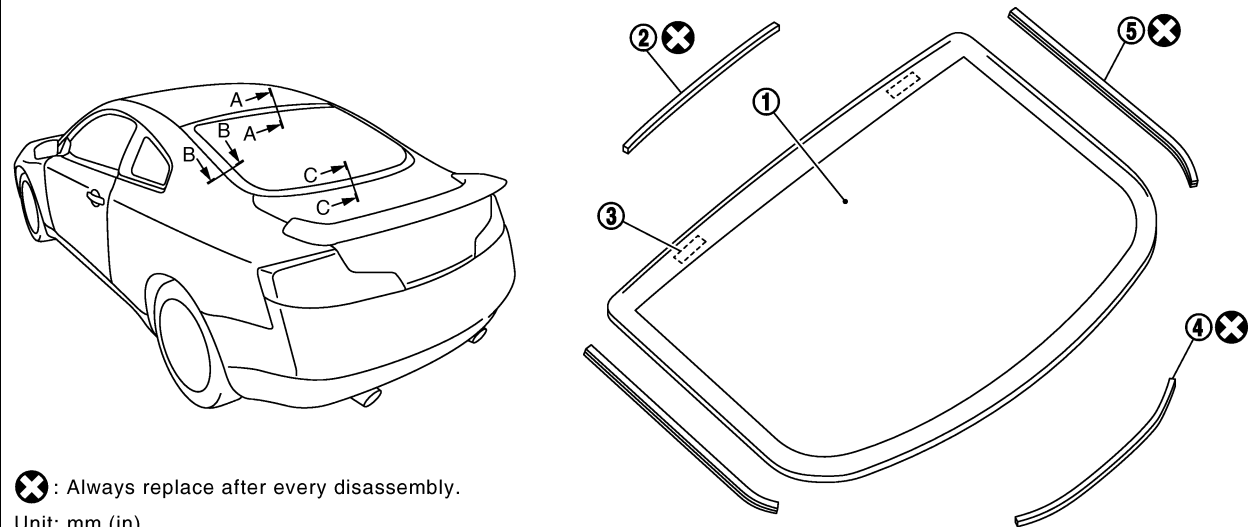
PF9:79762

AIS001BH

REAR WINDOW MOLDING

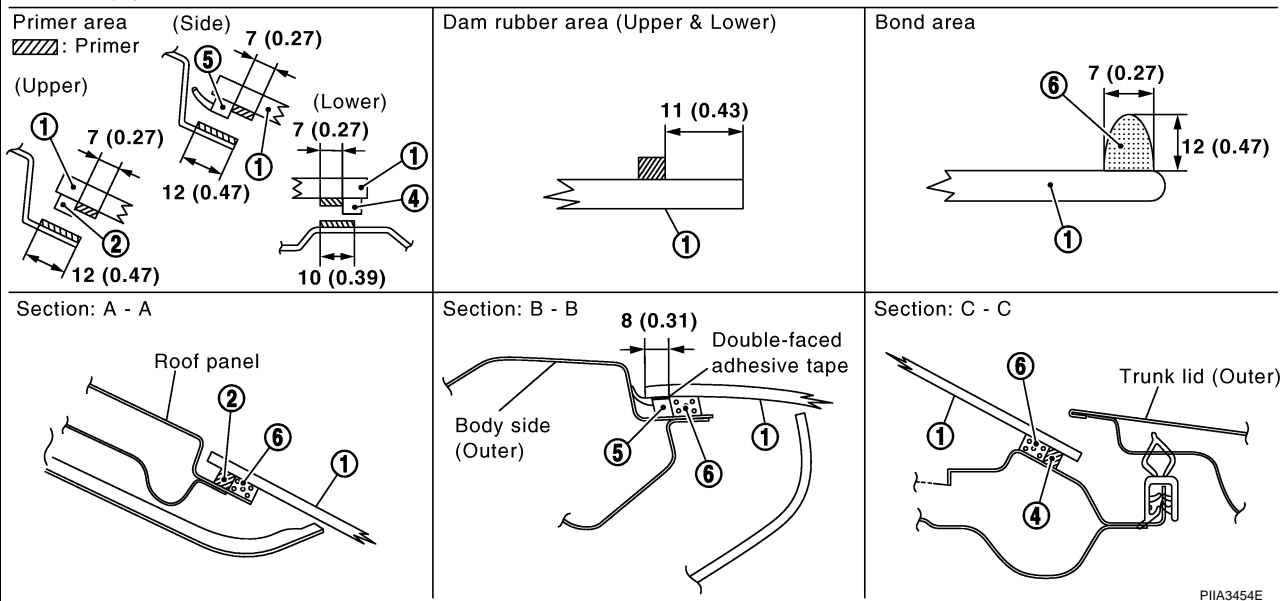
Removal and Installation

SEC. 797



⊗ : Always replace after every disassembly.

Unit: mm (in)



- | | | |
|-----------------------|-----------------------|-----------|
| 1. Rear window glass | 2. Dam rubber (upper) | 3. Spacer |
| 4. Dam rubber (lower) | 5. Molding (side) | 6. Bond |

REMOVAL

Remove rear window molding. Refer to [GW-13, "REAR WINDOW GLASS AND MOLDING"](#) .

NOTE:

Apply a strip of protective tape along the contour of rear window glass (molding) to prevent paint surface from being damaged.

INSTALLATION

Install rear window molding. Refer to [GW-13, "REAR WINDOW GLASS AND MOLDING"](#) .

NOTE:

- Clean adhesive portion of rear window glass and around circumference with white gasoline.
- Apply dam rubber to upper and lower surfaces of glass.
- Attach rear window molding to side face of glass.
- Rear window molding should not overlap on the surface of rear window glass.

A
B
C
D
E
F
G
H
EI
J
K
L
M

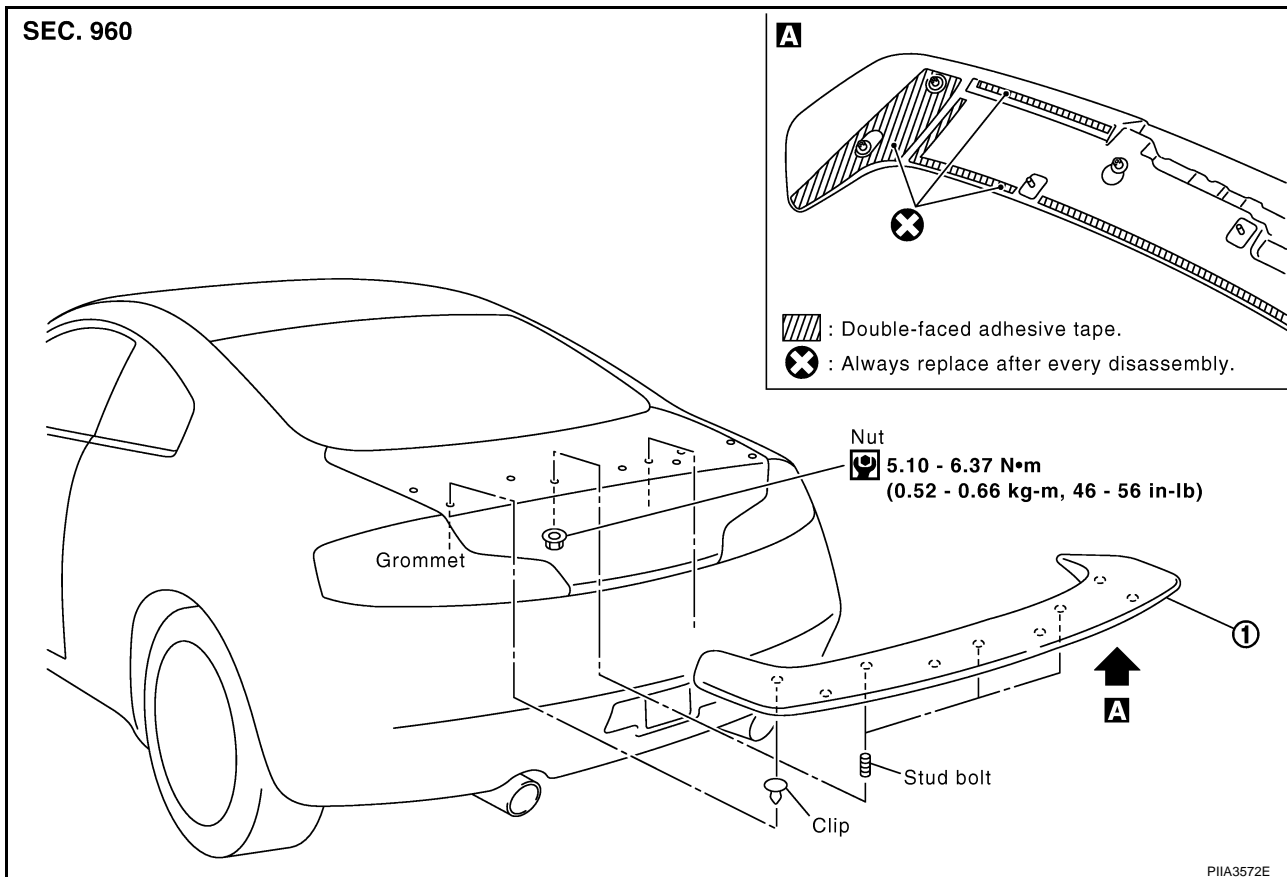
REAR SPOILER

REAR SPOILER

PFP:96030

Removal and Installation

AIS001BK



1. Rear spoiler

REMOVAL

1. Remove trunk lid trim. Refer to [EI-39, "TRUNK ROOM TRIM & TRUNK LID FINISHER"](#) .
2. Disconnect harness connector of high-mounted stop lamp.
3. Remove rear spoiler nuts.
4. Remove rear spoiler clip, disconnect grommet of high-mounted stop lamp harness, and remove rear spoiler.

INSTALLATION

Install in the reverse order of removal.

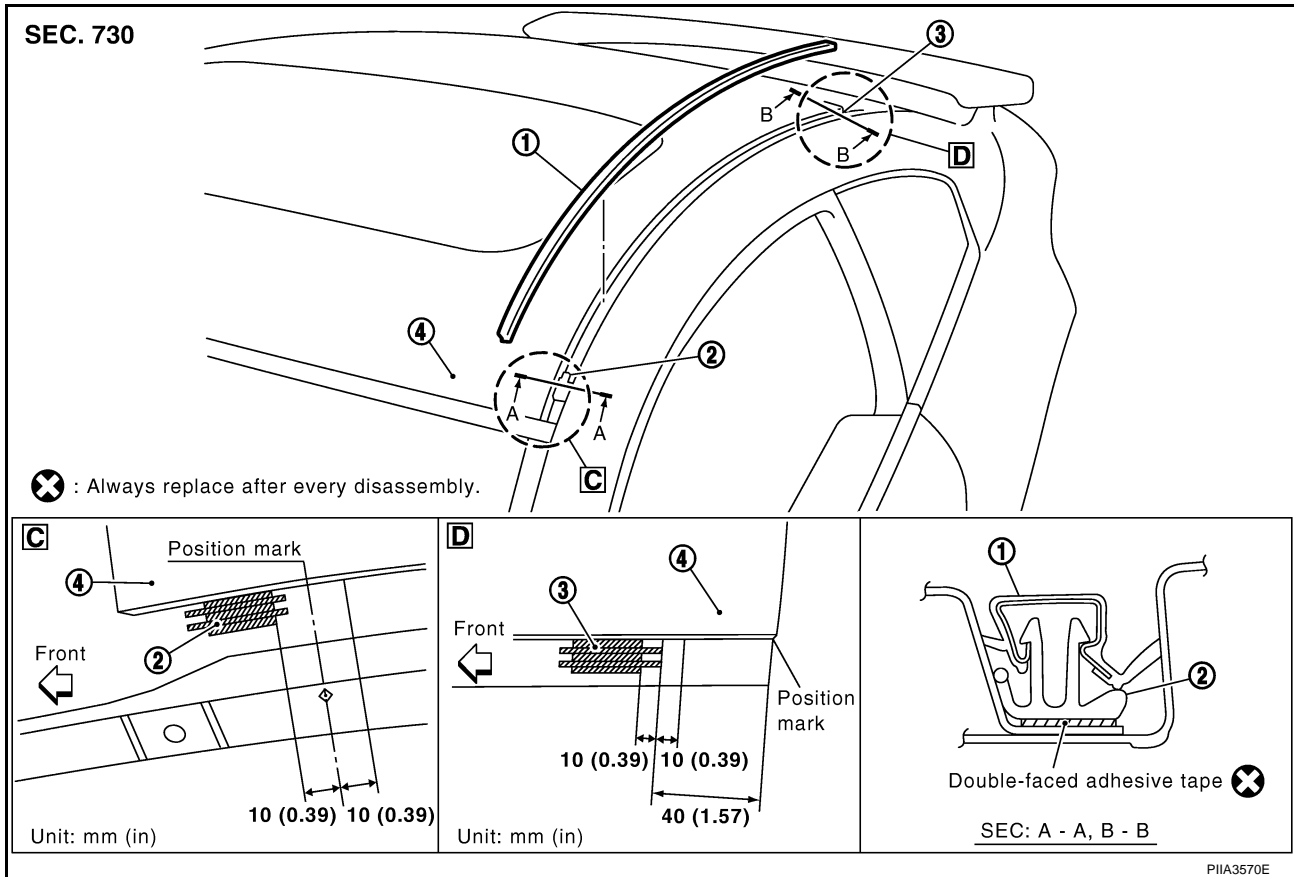
ROOF SIDE MOLDING

ROOF SIDE MOLDING

PFP:73854

Removal and Installation

AIS001BL



1. Roof side molding
4. Roof panel

2. Clip (front)

3. Clip (rear)

REMOVAL

1. Molding front edge is removed from body side clip.
2. Take off front edge of molding and remove rear end molding.
3. Remove front side clip and rear side clip.

INSTALLATION

Install in the reverse order of removal

1. Apply double-faced adhesive tape and apply primer and adhesive on front edge of molding at standard extent (as indicated with [C] and [D]).
2. When molding clip with damage after removing molding is found clip is exchange.

CAUTION:

Be careful not to damage the body painting when you use the cutter and tool.

A
B
C
D
E
F
G
H
EI
J
K
L
M

DOOR FINISHER

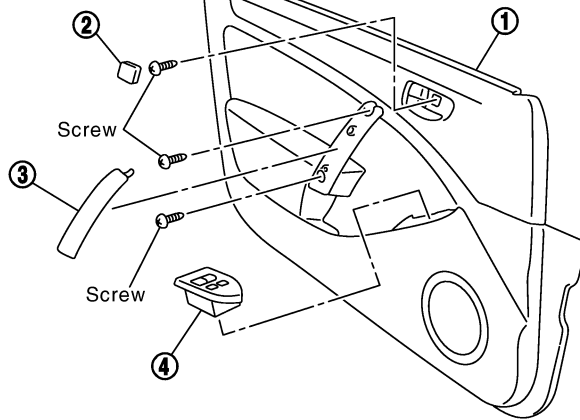
DOOR FINISHER

PFP:80900

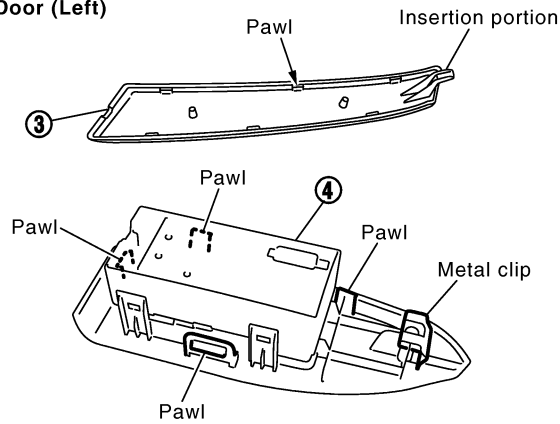
Removal and Installation

AIS001BM

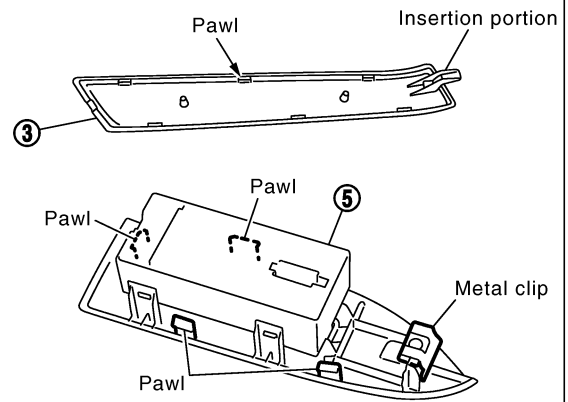
SEC. 809•828



Door (Left)



Door (Right)

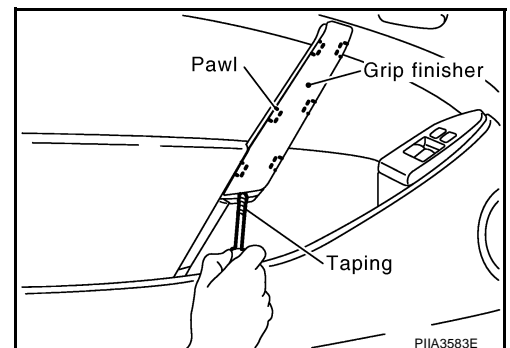


PIIA3573E

- | | | |
|---|--|---|
| 1. Door finisher | 2. Mask (door) | 3. Door grip finisher (left / right door) |
| 4. Power window SW finisher (left door) | 5. Power window SW finisher (right door) | |

REMOVAL

1. Remove mask of inside handle portion and remove screws.
2. Insert taping flat-bladed screw driver into edge portion, disconnect pawls, and remove grip finisher.

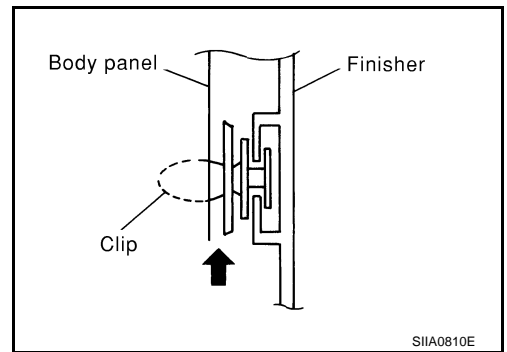


PIIA3583E

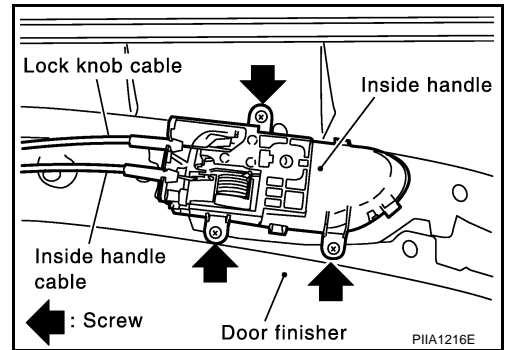
3. Remove screw of grip portion.

DOOR FINISHER

4. Insert driver rolled with cloth between panel on vehicle and clips (as indicated with arrow), and remove finisher.



5. Pull up door finisher, and remove power window switch and electrical parts connectors.
6. Remove lock knob cable and inside handle cable of inside handle assembly back side.
7. Remove inside handle screws, and remove it from finisher.



8. Disconnect metal clips and pawls from door finisher back side, and remove power window switch finisher.

INSTALLATION

Install in the reverse order of removal.

CAUTION:

To install finisher, check if all clips are matched over holes of panel on vehicle, then push it.

A
B
C
D
E
F
G
H
EI
J
K
L
M

BODY SIDE TRIM

PFP:76913

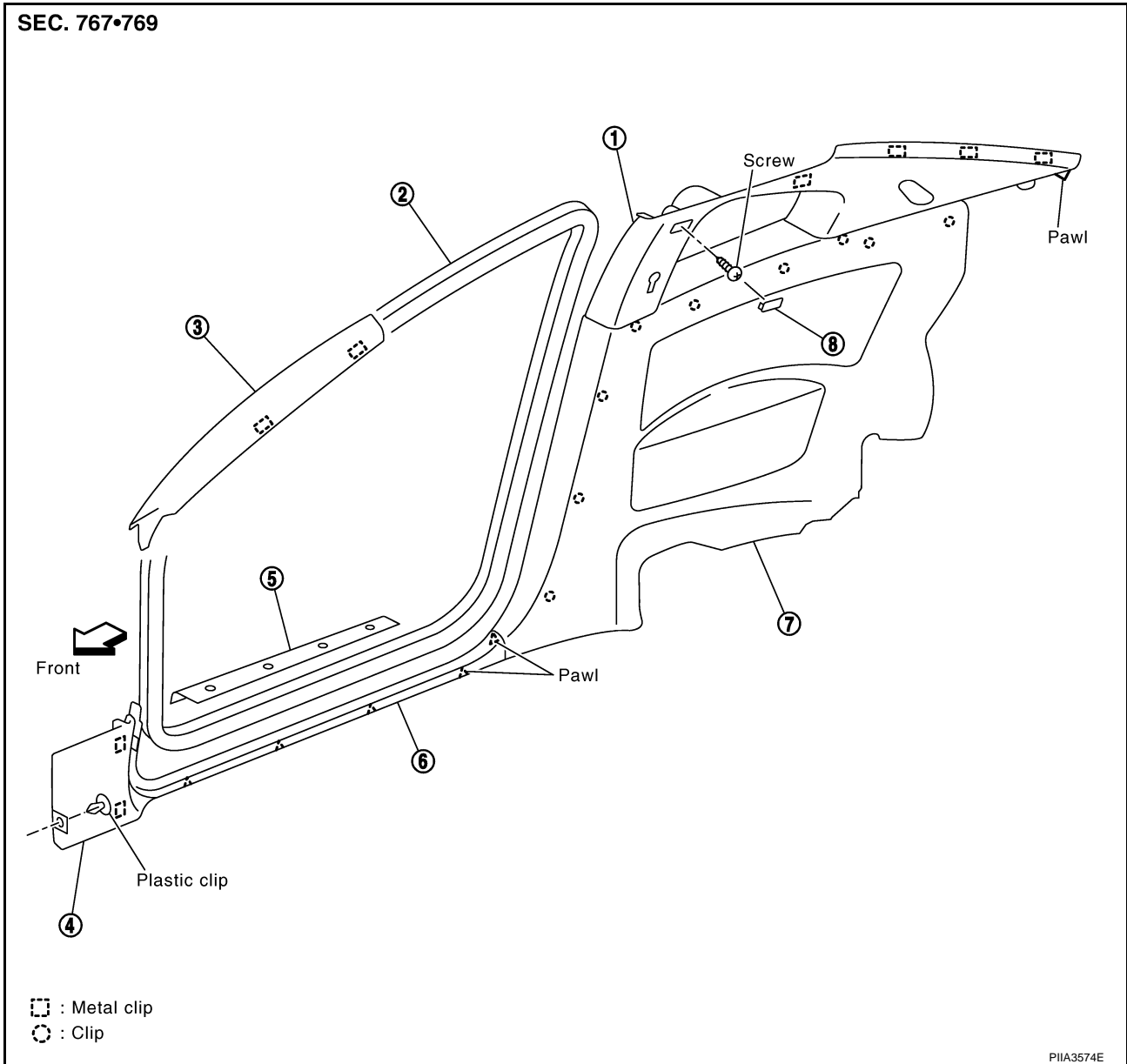
BODY SIDE TRIM

Removal and Installation

AIS001BN

CAUTION:

Wrap the tip of flat-bladed screwdriver with a cloth when removing metal clips from garnishes.



REAR SIDE FINISHER

Removal

1. Remove kicking plate.
2. Remove body side welt.
3. Remove rear side finisher.

Installation

Install in the reverse order of removal.

BODY SIDE TRIM

REAR PILLAR GARNISH

Removal

1. Remove rear seat cushion. Refer to [SE-64, "REAR SEAT"](#) .
2. Remove front seat belt shoulder anchor bolts. Refer to [SB-4, "SEAT BELTS"](#) .
3. Remove rear seat belt floor anchor bolts. Refer to [SB-6, "Removal and Installation of Rear Seat Belt"](#) .
4. Remove kicking plate.
5. Remove body side welt.
6. Remove rear side finisher.
7. Remove rear pillar garnish.

Installation

Install in the reverse order of removal.

FRONT PILLAR GARNISH

Removal

1. Remove kicking plate.
2. Remove body side welt.
3. Remove front pillar garnish.

Installation

Install in the reverse order of removal.

KICKING PLATE

Removal

Remove kicking plate.

Installation

Install in the reverse order of removal.

CENTER MUD GUARD FINISHER

Removal

Remove center mud guard finisher.

Installation

Install in the reverse order of removal.

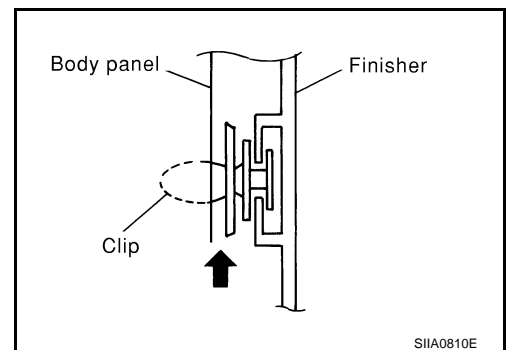
DASH SIDE FINISHER

Removal

1. Remove kicking plate.
2. Remove body side welt.
3. Remove dash side finisher.

NOTE:

Insert screw driver rolled with cloth between panel on vehicle and clips (as indicated with arrow), and disconnect clips.



Installation

Install in the reverse order of removal.

NOTE:

To install, check if all clips are matched over holes of panel on vehicle, then push on.

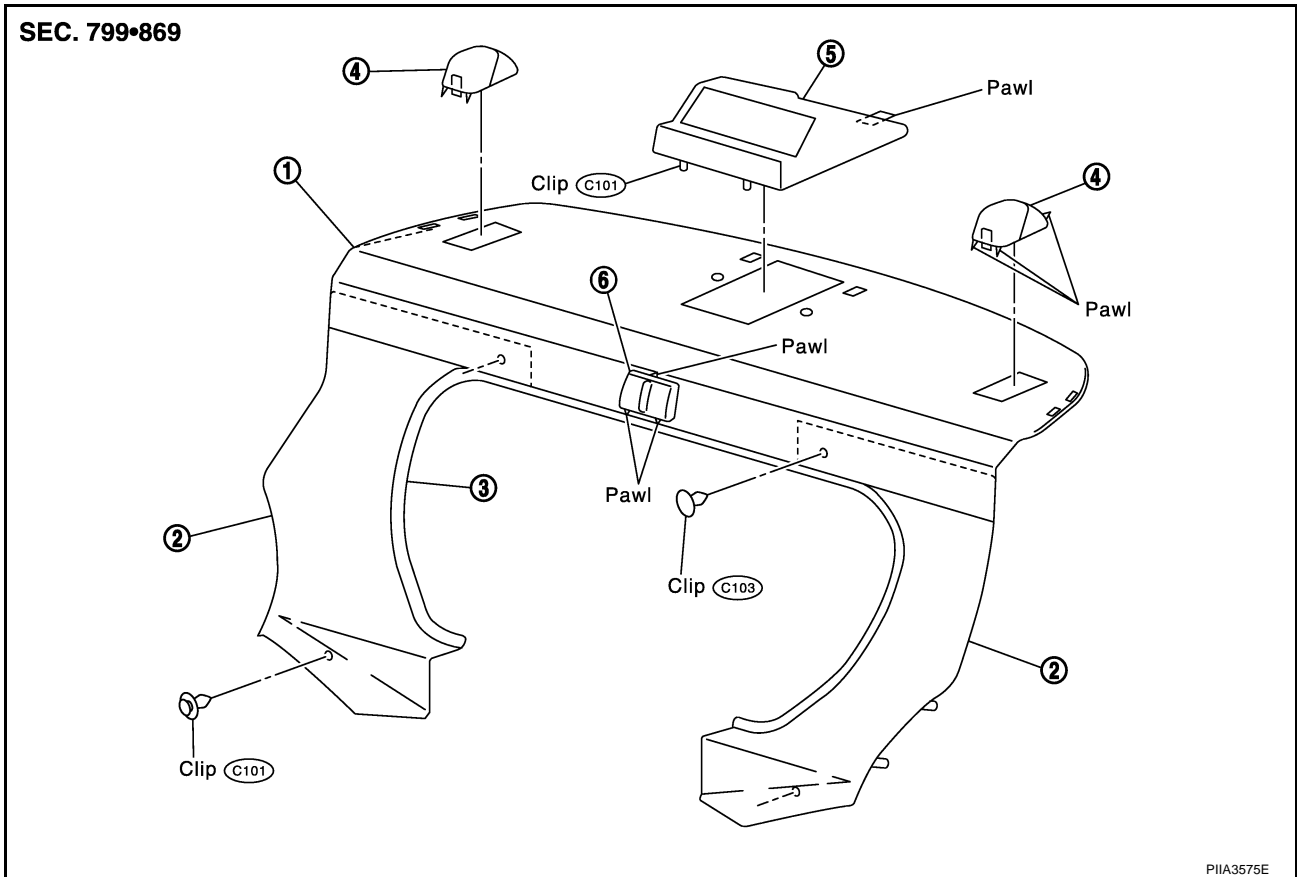
REAR PARCEL SHELF FINISHER

REAR PARCEL SHELF FINISHER

PFP:79910

Removal and Installation

AI5001B0



- | | | |
|-------------------------------|---------------------------|--------------------------------|
| 1. Rear parcel shelf finisher | 2. Rear seatback trim | 3. Rear seatback welt |
| 4. Child anchor cover | 5. High-mounted stop lamp | 6. Rear seatback striker cover |

REMOVAL

1. Remove rear seat. Refer to [SE-64, "REAR SEAT"](#) .
2. Remove kicking plate. Refer to [EI-32, "BODY SIDE TRIM"](#) .
3. Remove body side welt. Refer to [EI-32, "BODY SIDE TRIM"](#) .
4. Remove front seat belt floor shoulder anchor bolts. Refer to [SB-4, "SEAT BELTS"](#) .
5. Remove rear seat belt floor anchor bolts. Refer to [SB-6, "Removal and Installation of Rear Seat Belt"](#) .
6. Remove rear side finisher. Refer to [EI-32, "BODY SIDE TRIM"](#) .
7. Remove rear pillar garnish. Refer to [EI-32, "BODY SIDE TRIM"](#) .
8. Remove rear seatback striker cover.
9. Remove clips of rear parcel shelf finisher.
10. Remove child anchor cover .
11. Remove high-mounted stop lamp and electrical parts connector.
12. Remove rear parcel shelf finisher.

INSTALLATION

Install in the reverse order of removal.

NOTE:

- Confirm hooks of rear parcel shelf finisher are completely inserted into holes on vehicle side.
- Confirm clips are matched over holes on vehicle side, then push on.

FLOOR TRIM

FLOOR TRIM

PFP:74902

Removal and Installation

AIS001BP

A
B
C
D
E
F
G
H

EI

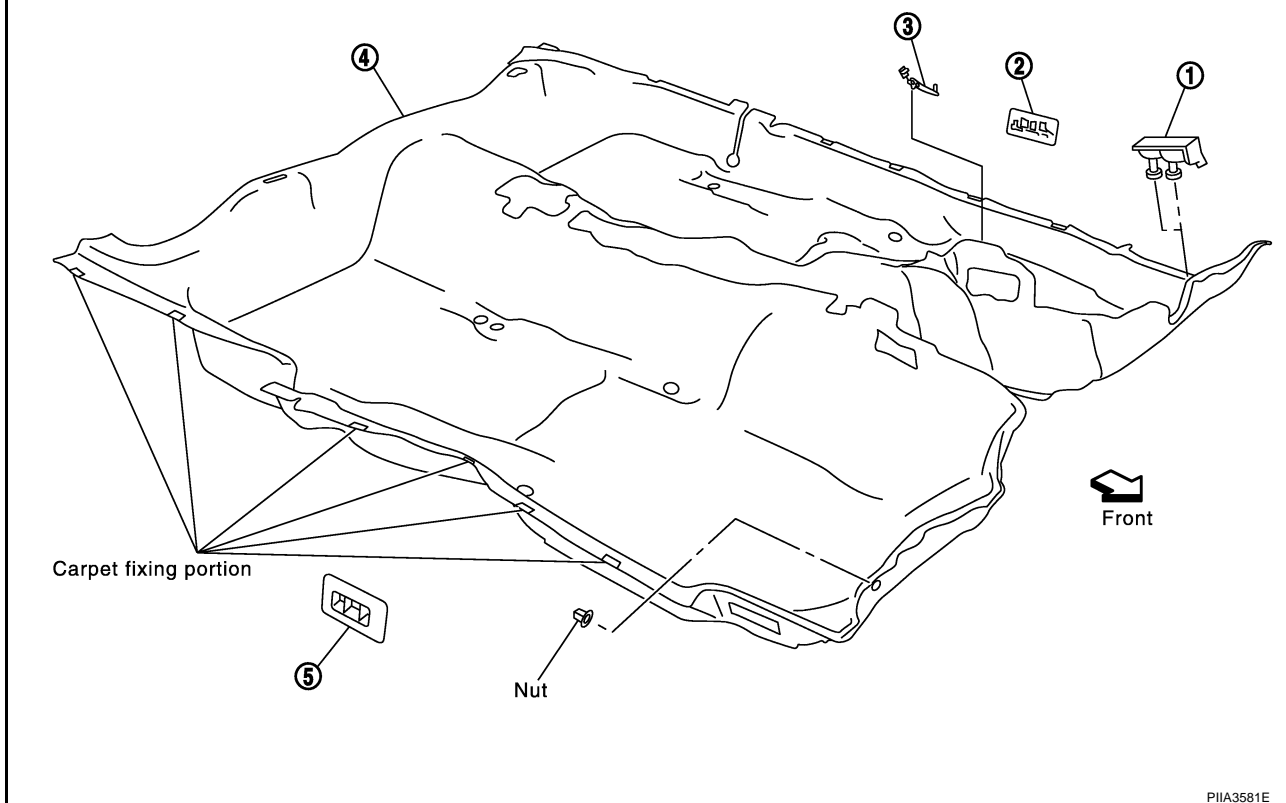
J

K

L

M

SEC. 749



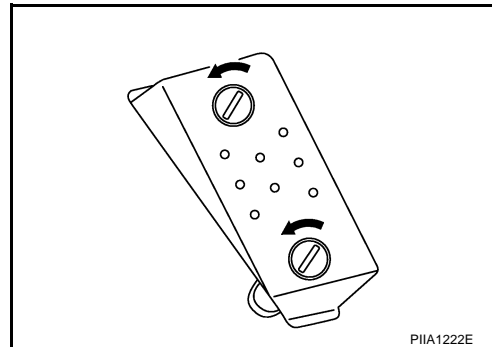
1. Foot-rest (driver)
4. Floor carpet

2. Foot-grille (left)
5. Foot-grille (right)

3. Carpet hook

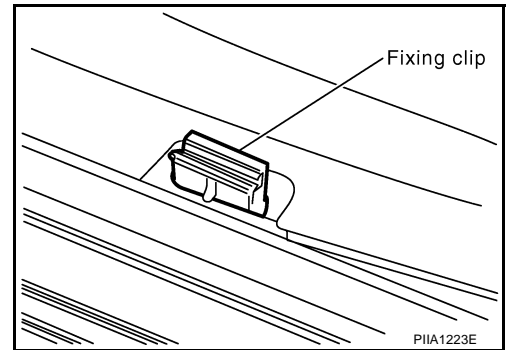
REMOVAL

1. The battery terminal is removed and waits for three minutes.
2. Remove front seat and rear seat cushion. Refer to [SE-59, "Removal and Installation"](#) and [SE-64, "Removal and Installation"](#) .
3. Remove instrument side panel (left and right). Refer to [IP-10, "INSTRUMENT PANEL ASSEMBLY"](#) .
4. Remove center console. Refer to [IP-10, "INSTRUMENT PANEL ASSEMBLY"](#) .
5. Remove kicking plate. Refer to [EI-32, "BODY SIDE TRIM"](#) .
6. Remove body side welt. Refer to [EI-32, "BODY SIDE TRIM"](#) .
7. Remove rear side finisher. Refer to [EI-32, "BODY SIDE TRIM"](#) .
8. Remove dash side finisher. Refer to [EI-32, "BODY SIDE TRIM"](#) .
9. Turn flat-bladed screw driver in counter-clockwise, and remove foot-rest from stud bolts on vehicle.
10. Remove foot-rest.
11. Remove front seat belt floor anchor bolts. Refer to [SB-4, "SEAT BELTS"](#) .
12. Remove air bag cpu assembly bracket. Refer to [SRS-48, "DIAGNOSIS SENSOR UNIT"](#) .



FLOOR TRIM

13. Remove carpet hook.



14. Remove floor carpet from carpet clip and remove floor carpet.

INSTALLATION

Install in the reverse order of removal.

HEADLINING

HEADLINING

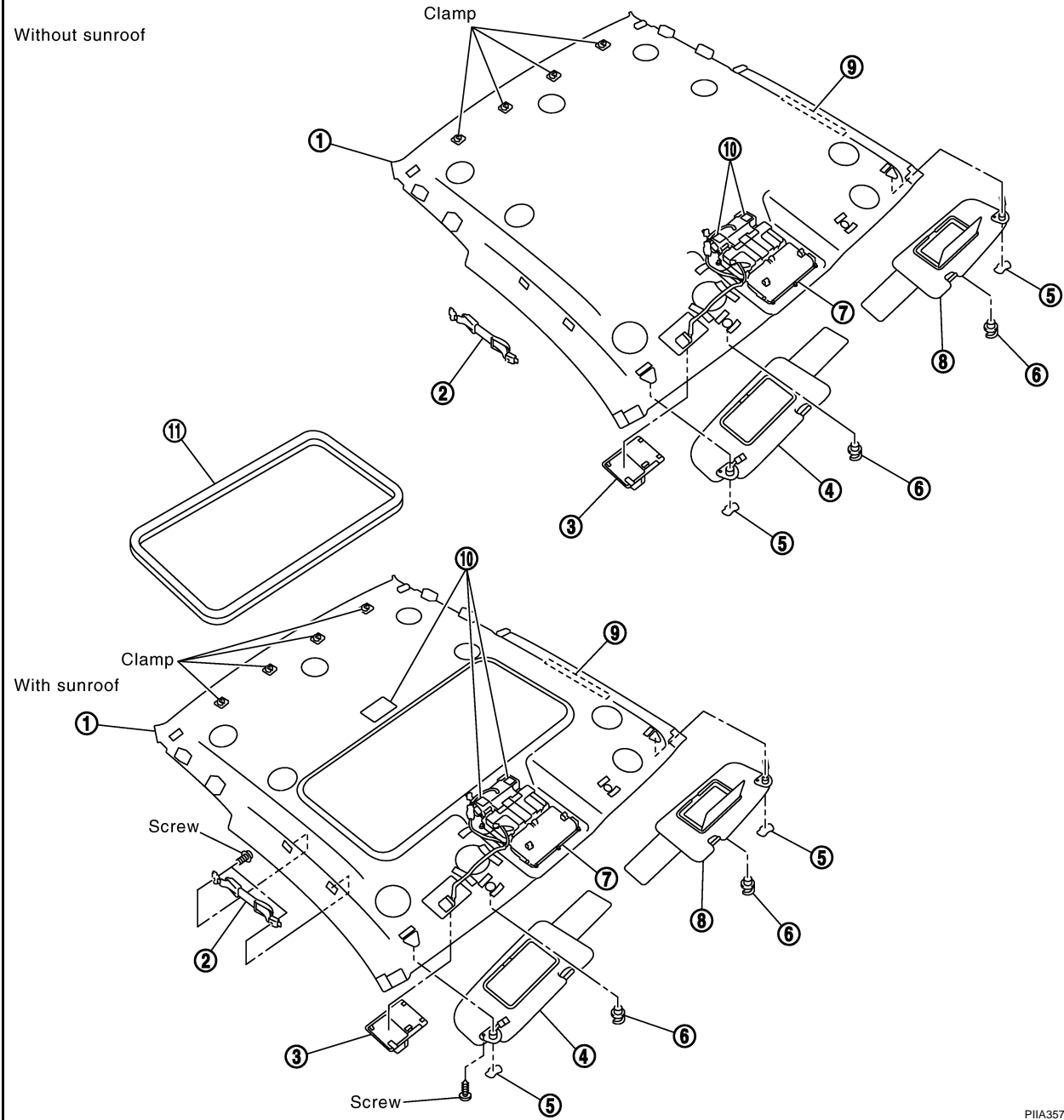
PFP:73910

Removal and Installation

AIS001BQ

A
B
C
D
E
F
G
H
EI
J
K
L
M

SEC. 264•738•964



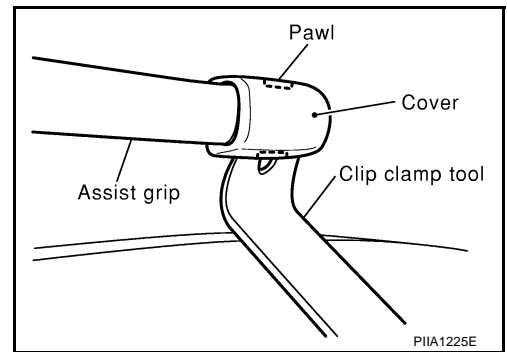
- | | | |
|------------------------|---------------------|------------------------|
| 1. Headlining | 2. Assist grip | 3. Roof front finisher |
| 4. Sun-visor (right) | 5. Sun-visor cover | 6. Sun-visor holder |
| 7. Spot lamp | 8. Sun-visor (left) | 9. Card holder |
| 10. Dual lock fastener | | |
| 11. Sunroof welt | | |

REMOVAL

1. Remove front pillar garnish. Refer to [EI-32, "BODY SIDE TRIM"](#) .
2. Remove rear side finisher. Refer to [EI-32, "BODY SIDE TRIM"](#) .
3. Remove rear pillar garnish. Refer to [EI-32, "BODY SIDE TRIM"](#) .

HEADLINING

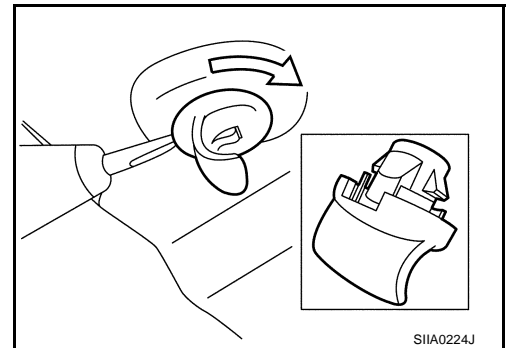
4. Remove assist grip cover, disconnect pawls both on upper and lower parts insert clip clamp remover, slide cover inward, and remove screws.



5. Remove sun-visor (drive and passenger), and disconnect harness connector with lamp model.
6. Remove sun-visors holder.

NOTE:

Insert flat-bladed screw driver to edge, and turn it 90 degrees and remove sun-visor holder.



7. Remove spot lamp.
8. Remove roof front finisher and remove headlining module harness connector.
9. Remove sunroof welt (with sunroof only).
10. Remove dual lock fastener.
11. Put front seat to front most and recline seat back to backward.
12. Remove headlining, turn and take out from right side door.

CAUTION:

- Always remove or install in a pair.
- Cover surroundings with waste to avoid scratches or damages.
- Do not bend headlining too hard.

INSTALLATION

Install in the reverse order of removal.

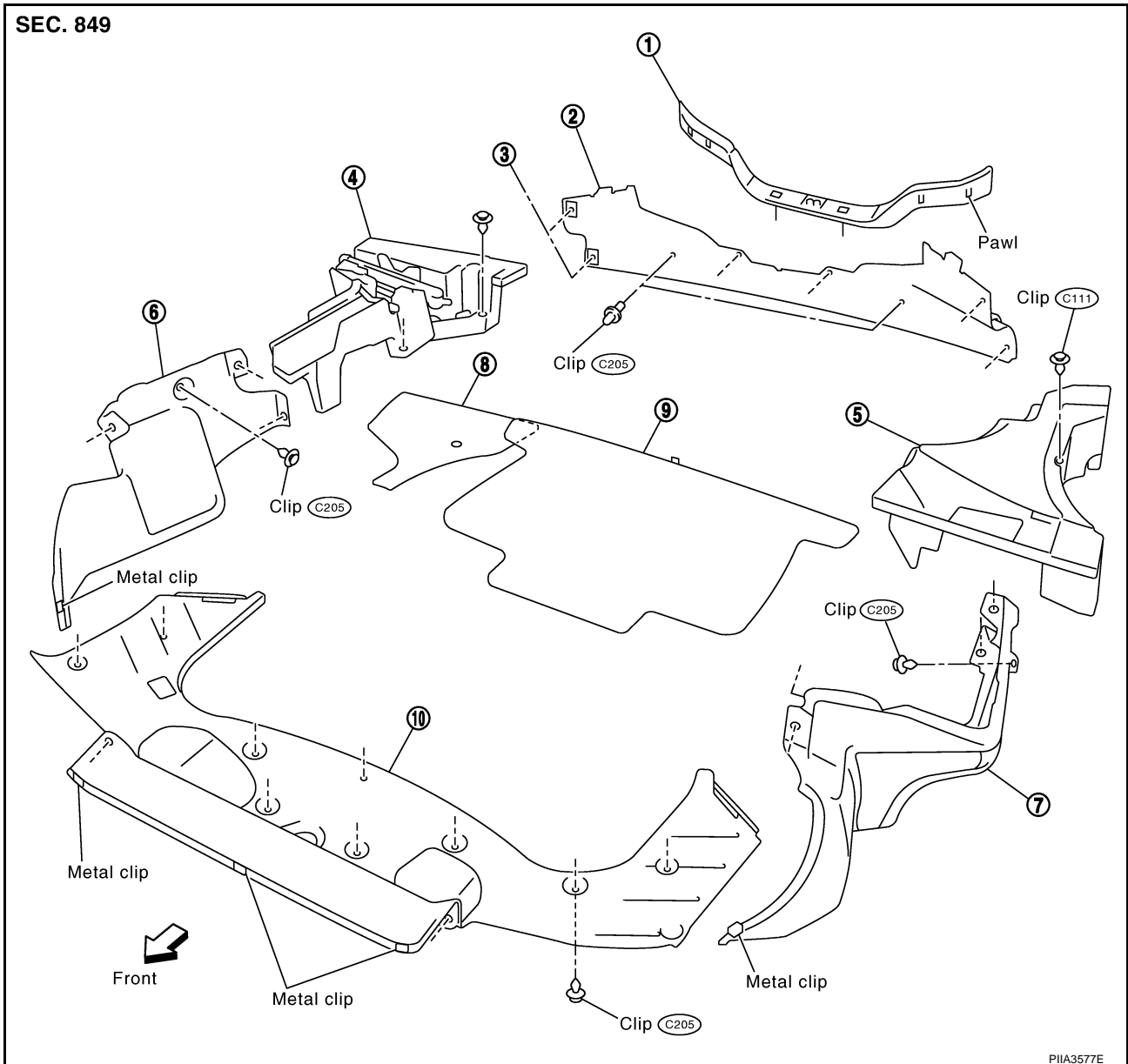
TRUNK ROOM TRIM & TRUNK LID FINISHER

TRUNK ROOM TRIM & TRUNK LID FINISHER Removal and Installation for Trunk Room Trim

PFP:84920

AIS001BR

A
B
C
D
E
F
G
H
EI
J
K
L
M



- | | | |
|------------------------------------|------------------------------|-------------------------------------|
| 1. Trunk rear plate | 2. Trunk Rear finisher (end) | 3. Net hook |
| 4. Trunk floor spacer (right) | 5. Trunk floor spacer (left) | 6. Rear wheelhouse finisher (right) |
| 7. Rear wheelhouse finisher (left) | 8. Trunk floor board (right) | 9. Trunk floor board (center) |
| 10. Trunk rear finisher (upper) | | |

TRUNK ROOM TRIM

Removal

1. Remove trunk floor board.
2. Remove trunk rear plate.
3. Remove trunk rear finisher (end).
4. Remove trunk rear finisher welt.
5. Remove rear seat back lever finisher.
6. Remove trunk rear finisher (upper).
7. Remove rear wheelhouse finisher (left/right).

TRUNK ROOM TRIM & TRUNK LID FINISHER

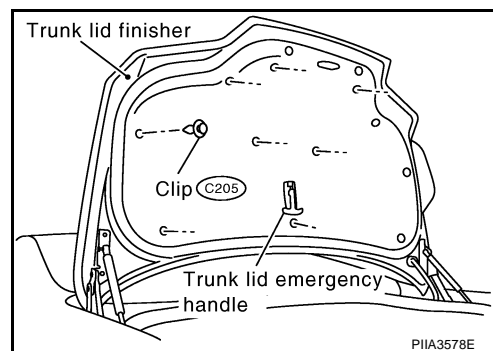
Installation

Install in the reverse order of removal.

TRUNK LID FINISHER

Removal

1. Remove clips of trunk lid finisher.
2. Remove emergency handle.
3. Remove trunk lid finisher.



Installation

Install in the reverse order of removal.