

SECTION **FSU**
FRONT SUSPENSION

A
B
C
D

FSU

CONTENTS

2WD			
PRECAUTIONS	2	TRANSVERSE LINK	12
Caution	2	Removal and Installation	12
PREPARATION	3	REMOVAL	12
Special Service Tools (SST)	3	INSPECTION AFTER REMOVAL	12
Commercial Service Tools	3	INSTALLATION	12
NOISE, VIBRATION AND HARSHNESS (NVH)		UPPER LINK	13
TROUBLESHOOTING	5	Removal and Installation	13
NVH Troubleshooting Chart	5	REMOVAL	13
FRONT SUSPENSION ASSEMBLY	6	INSPECTION AFTER REMOVAL	13
On-Vehicle Inspection and Service	6	INSTALLATION	14
INSPECTION OF TRANSVERSE LINK BALL		COMPRESSION ROD	15
JOINT END PLAY	6	Removal and Installation	15
SHOCK ABSORBER INSPECTION	6	REMOVAL	15
Wheel Alignment Inspection	7	INSPECTION AFTER REMOVAL	15
DESCRIPTION	7	AXIAL END PLAY INSPECTION	16
PRELIMINARY INSPECTION	7	INSTALLATION	16
INSPECTION OF CAMBER, CASTER AND		STABILIZER BAR	17
KINGPIN INCLINATION ANGLES.	7	Removal and Installation	17
Components	9	REMOVAL	17
COIL SPRING AND SHOCK ABSORBER	10	INSPECTION AFTER REMOVAL	17
Removal and Installation	10	INSTALLATION	17
REMOVAL	10	FRONT SUSPENSION MEMBER	18
INSTALLATION	10	Removal and Installation	18
Disassembly and Assembly	10	REMOVAL	18
DISASSEMBLY	10	INSPECTION AFTER REMOVAL	18
INSPECTION AFTER DISASSEMBLY	10	INSTALLATION	18
ASSEMBLY	11	SERVICE DATA	19
		Wheel Alignment (Unladen)	19
		Ball Joint	19
		Wheelarch Height (Unladen*)	19

F
G
H
I
J
K
L
M

PRECAUTIONS

[2WD]

PRECAUTIONS

PFP:00001

Caution

AES000S7

- When installing rubber bushings, final tightening must be carried out under unladen conditions with tires on ground. Oil will shorten the life of rubber bushings. Be sure to wipe off any spilled oil.
- Unladen conditions mean that fuel, engine coolant and lubricant are full. Spare tire, jack, hand tools and mats are in designated positions.
- After servicing suspension parts, be sure to check wheel alignment.
- Caulking nuts are not reusable. Always use new ones when installing. Since new caulking nuts are pre-oiled, tighten as they are.

PREPARATION

[2WD]

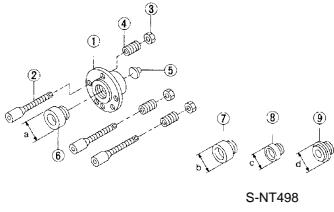
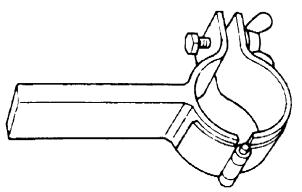
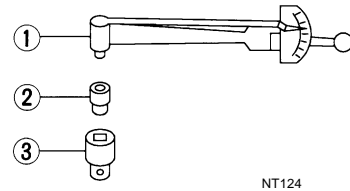
PREPARATION

PFP:00002

Special Service Tools (SST)

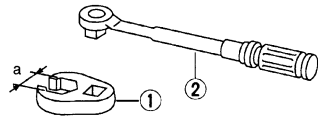
AES000S8

The actual shapes of Kent-Moore tools may differ from those of special service tools illustrated here.

Tool number (Kent-Moore No.) Tool name	Description
KV991040S0 (—) CCK gauge 1. Plate 2. Guide bolts 3. Nuts 4. Springs 5. Center plate 6. KV9910 4030 Adapter A a: 72 mm (2.83 in) dia. 7. KV9910 4030 Adapter B b: 65 mm (2.56 in) dia. 8. KV9910 4040 Adapter C c: 57 mm (2.24 in) dia. 9. KV9910 4050 Adapter D d: 53.4 mm (2.102 in) dia.	 <p>Measuring wheel alignment</p>
ST35652000 (—) Strut attachment	 <p>Strut disassembly/re-assembly</p>
ST3127S000 (See J25742-1) Preload Gauge 1. GC91030000 Torque wrench (J25765) 2. HT62940000 (—) Socket adapter (1/2") 3. HT62900000 (—) Socket adapter (3/8")	 <p>Measuring sliding torque of ball joint</p>

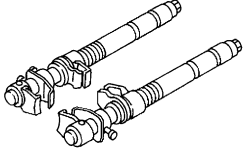
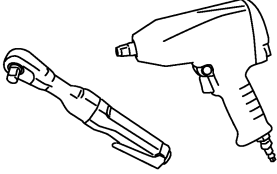
Commercial Service Tools

AES000S9

Tool name	Description
1. Flare nut crowfoot a: 10 mm (0.39 in) 2. Torque wrench	 <p>Removing and installing each brake piping</p>

PREPARATION

[2WD]

Tool name	Description
<p data-bbox="134 300 325 325">Spring compressor</p>  <p data-bbox="890 406 948 425">S-NT717</p>	<p data-bbox="1042 300 1254 325">Removing coil spring</p>
<p data-bbox="134 538 240 563">Power tool</p>  <p data-bbox="890 640 963 659">PBIC0190E</p>	<ul data-bbox="1042 502 1369 602" style="list-style-type: none">● Removing wheel nuts● Removing engine under cover● Removing stabilizer assembly

NOISE, VIBRATION AND HARSHNESS (NVH) TROUBLESHOOTING

[2WD]

NOISE, VIBRATION AND HARSHNESS (NVH) TROUBLESHOOTING

PFP:00003

NVH Troubleshooting Chart

AES000SA

Use chart below to help you find the cause of the symptom. If necessary, repair or replace these parts.

Symptom		Possible cause and SUSPECTED PARTS	Reference page															
			FSU-9	FSU-10	—	—	—	FSU-9	FSU-7	FSU-17	NVH in PR section	NVH in RFD section.	NVH in RAX and RSU section.	NVH in WT section.	NVH in WT section.	NVH in RAX section.	NVH in BR section.	NVH in PS section.
Symptom	FRONT SUSPENSION	Noise	x	x	x	x	x	x		x	x	x	x	x	x	x	x	x
		Shake	x	x	x	x		x		x		x	x	x	x	x	x	x
		Vibration	x	x	x	x	x			x		x	x		x			
		Shimmy	x	x	x	x			x				x	x	x		x	x
		Judder	x	x	x								x	x	x		x	x
		Poor quality ride or handling	x	x	x	x	x		x	x			x	x	x			

x: Applicable

A
B
C
D
E
FSU
F
G
H
I
J
K
L
M

FRONT SUSPENSION ASSEMBLY

PFP:54010

On-Vehicle Inspection and Service

AES000SC

Make sure the mounting conditions (looseness, back lash) of each component and component statuses (wear, damage) are normal.

INSPECTION OF TRANSVERSE LINK BALL JOINT END PLAY

1. Set front wheels in a straight-ahead position. Do not depress brake pedal.
2. Check ball joint axial end play of each link.

CAUTION:

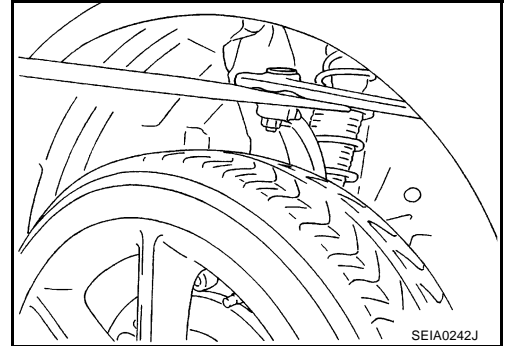
Be careful not to damage ball joint boot.

Upper Link Ball Joint

Measure axial end play by installing and moving up/down with an iron pry bar or something similar between upper link and steering knuckle.

Standard value

Axial end play : 0 mm (0 in)

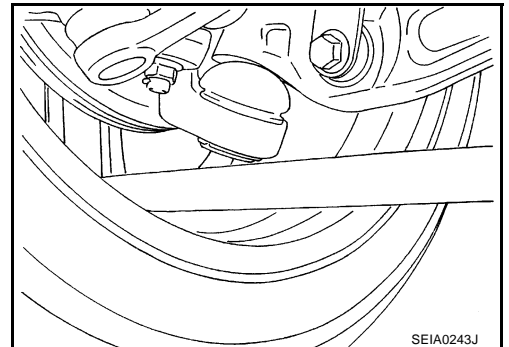


Steering Knuckle Lower Ball Joint

Measure axial end play by installing and moving up/down with an iron pry bar or something similar between steering knuckle and wheel.

Standard value

Axial end play : 0 mm (0 in)

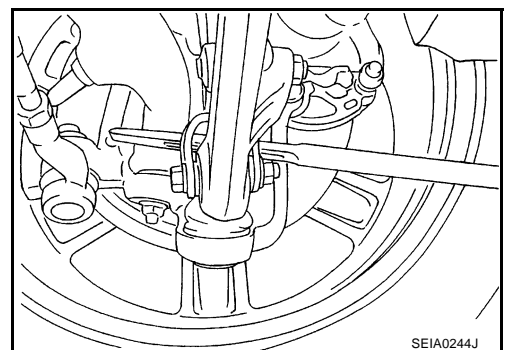


Compression Rod Ball Joint

Measure axial end play by installing and moving up/down with an iron pry bar or something similar between compression rod and transverse link.

Standard value

Axial end play : 0 mm (0 in)



SHOCK ABSORBER INSPECTION

Check shock absorber for oil leakage, damage and replace if necessary. Refer to [FSU-10, "COIL SPRING AND SHOCK ABSORBER"](#).

Wheel Alignment Inspection DESCRIPTION

Measure wheel alignment under unladen conditions.

NOTE:

Unladen conditions mean that fuel, engine coolant, and lubricant are full. Spare tire, jack, hand tools and mats are designated positions.

PRELIMINARY INSPECTION

1. Check tires for improper air pressure and wear.
2. Check road wheels for runout.
3. Check wheel bearing axial end play.
4. Check ball joint axial end play of compression rod, upper link, and steering knuckle.
5. Check shock absorber operation.
6. Check each mounting part of axle and suspension for looseness and deformation.
7. Check each link, rod and member for cracks, deformation and other damage.
8. Check vehicle posture.

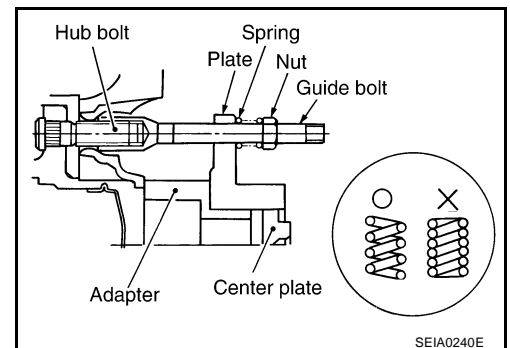
INSPECTION OF CAMBER, CASTER AND KINGPIN INCLINATION ANGLES.

- Camber, caster, kingpin inclination angles cannot be adjusted.
- Before inspection, mount front wheels onto turning radius gauge. Mount rear wheels onto a stand that has same height so vehicle will remain horizontal.

Using a CCK Gauge

Install CCK gauge attachment (SST: KV991040S0) as following procedure in wheel, then measure wheel alignment.

1. Remove wheel nuts (2), and install a guide bolt to hub bolt.
2. Screw adapter into plate body until it contacts body tightly.
3. Screw center plate into plate.
4. Insert plate on guide bolt. Put spring in, and then evenly screw both guide bolt nut. When fastening guide bolt nut, do not completely compress spring.



5. Place the dent of alignment gauge onto the projection of center plate and tightly contact them to measure.

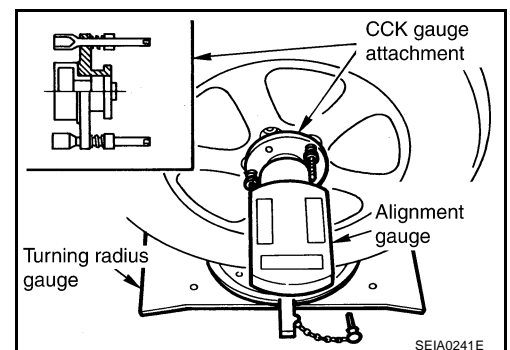
Standard value

Camber, caster, king inclination angles:

Refer to [FSU-19, "SERVICE DATA"](#) .

CAUTION:

- If camber, caster, or kingpin inclination angle is outside the standard, check front suspension parts for wear and damage, and replace suspect parts if necessary.
- King pin inclination angles is reference value, no inspection is required. (Due to the type of suspension, the kingpin inclination angle cannot be measured correctly using a normal alignment tester.)



FRONT SUSPENSION ASSEMBLY

[2WD]

Toe-In Inspection

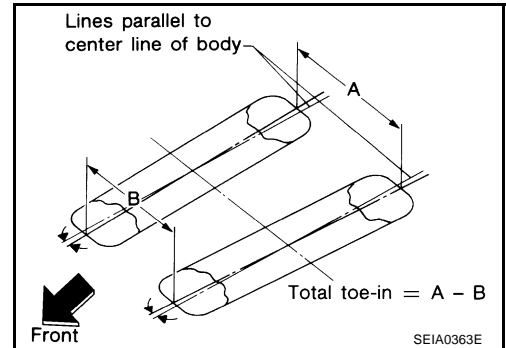
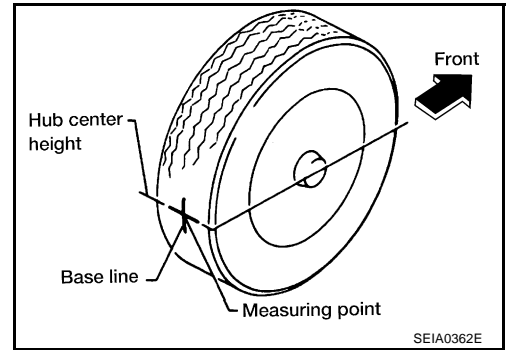
Measure toe-in using the following procedure.

WARNING:

- Always perform the following procedure on a flat surface.
 - Make sure that no person is in front of vehicle before pushing it.
1. Bounce front of vehicle up and down to stabilize the posture.
 2. Push vehicle straight ahead about 5 m (16 ft).
 3. Put a mark on base line of the tread (rear side) of both tires at the same height as hub center. These are measuring points.
 4. Measure distance "A" (rear side).
 5. Push vehicle slowly ahead to rotate wheels 180 degrees (1/2 turn).
If wheels have rotated more than 180 degrees (1/2 turn), try the above procedure again from the beginning. Never push vehicle backward.
 6. Measure distance "B" (front side).

Standard value

Total toe-in : Refer to [FSU-19, "SERVICE DATA"](#)

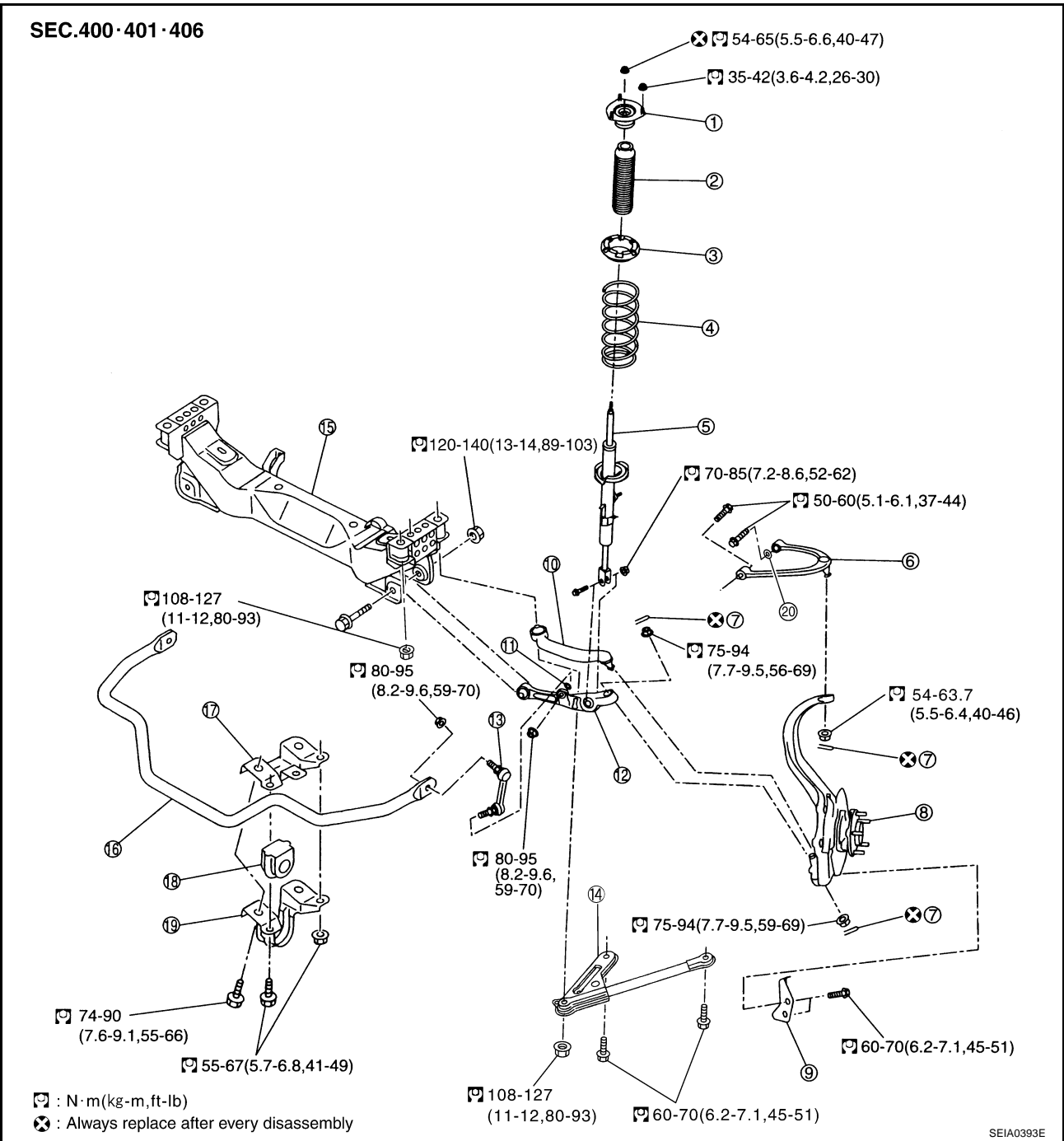


FRONT SUSPENSION ASSEMBLY

[2WD]

AES000SB

Components



- | | | |
|-------------------------------|------------------------------|-----------------------------|
| 1. Mounting insulator | 2. Bound bumper | 3. Spring rubber seat |
| 4. Coil spring | 5. Shock absorber | 6. Upper link |
| 7. Cotter pin | 8. Front axle | 9. Steering stopper bracket |
| 10. Compression rod | 11. Washer | 12. Transverse link |
| 13. Stabilizer connecting rod | 14. Compression rod stay | 15. Front suspension member |
| 16. Stabilizer bar | 17. Stabilizer clamp bracket | 18. Stabilizer bushing |
| 19. Stabilizer clamp | 20. Stopper rubber | |

COIL SPRING AND SHOCK ABSORBER

PF5:54302

Removal and Installation

REMOVAL

AES000SE

1. Remove tire with power tool.
2. Remove undercover with power tool.
3. Remove harness of wheel sensor from shock absorber. Refer to [BRC-65, "WHEEL SENSOR"](#) .
4. Remove mounting nuts of brake hose from shock absorber.
5. Remove mounting bolt and nut between shock absorber and transverse link with power tool.
6. Remove mounting nuts on mounting insulator with power tool, then remove shock absorber from vehicle.

INSTALLATION

- Refer to [FSU-9, "Components"](#) for tightening torque. Install in the reverse order of removal.

NOTE:

Refer to component parts location and do not reuse non-reusable parts.

- Perform final tightening of shock absorber lower side (rubber bushing) under unladen condition with tires on ground. Check wheel alignment. Refer to [FSU-7, "Wheel Alignment Inspection"](#) .

Disassembly and Assembly

AES000SF

DISASSEMBLY

NOTE:

Make sure piston rod on shock absorber is not damaged when removing components from shock absorber.

1. Install strut attachment (SST) to shock absorber and fix it in a vise.

CAUTION:

When installing strut attachment (SST) to shock absorber, wrap a shop cloth around shock absorber to protect it from damage.

2. Using a spring compressor (commercial service tool), compress coil spring between spring upper seat and spring lower seat (on shock absorber) until coil spring is free.

CAUTION:

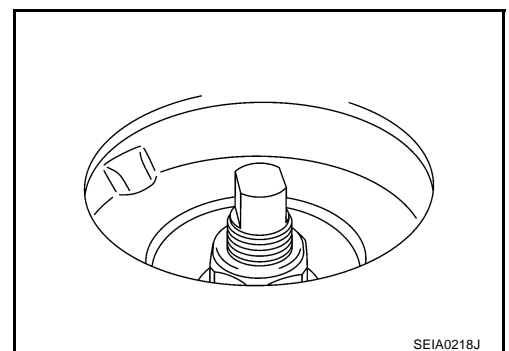
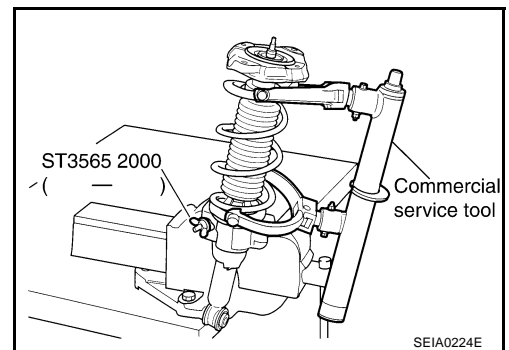
Be sure spring compressor (commercial service tool) is securely attached to coil spring. Compress coil spring.

3. Check that coil spring between spring upper seat and spring lower seat is free and then secure piston rod tip so that piston rod does not turn, and remove piston rod lock nut.
4. Remove mounting insulator, bound bumper, spring upper seat. Then remove coil spring from shock absorber.
5. Gradually release spring compressor (commercial service tool), and remove coil spring.

CAUTION:

Loosen while making sure coil spring attachment position does not move.

6. Remove strut attachment (SST) from shock absorber.



INSPECTION AFTER DISASSEMBLY

Shock Absorber Inspection

- Check shock absorber for deformation, cracks, damage, and replace if necessary.
- Check piston rod for damage, uneven wear, distortion, and replace if necessary.
- Check welded and sealed areas for oil leakage, and replace if necessary.

Mounting Insulator and Rubber Parts Inspection

Check mounting insulator for cracks and rubber parts for wear. Replace them if necessary.

Coil Spring Inspection

Check coil spring for cracks, wear, damage, and replace if necessary.

COIL SPRING AND SHOCK ABSORBER

[2WD]

ASSEMBLY

NOTE:

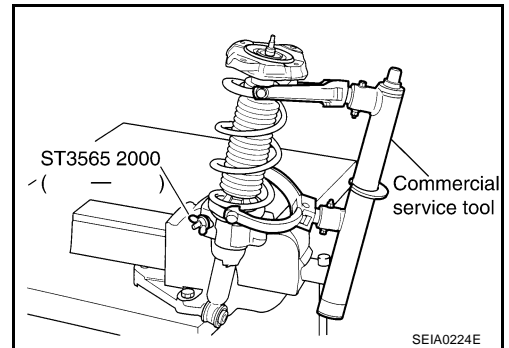
Make sure piston rod on shock absorber is not damaged when attaching components to shock absorber.

1. Install strut attachment (SST) to shock absorber and fix it in a vise.

CAUTION:

When installing strut attachment (SST) to shock absorber, wrap a shop cloth around shock absorber to protect it from damage.

2. Compress coil spring using a spring compressor (commercial service tool), and install it onto shock absorber.



CAUTION:

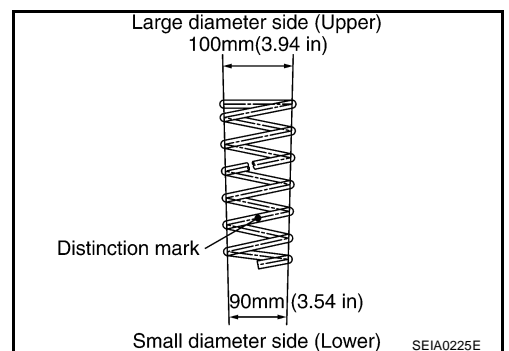
- Install coil spring as shown in the figure with large diameter side [100 mm (3.94 in)] up and small diameter side [90 mm (3.54 in)] down. (Identification paint is the 4th winding point from lower side.

- Be sure spring compressor (commercial service tool) is securely attached to coil spring. Compress coil spring.

3. Apply soapy water to bound bumper and insert into mounting insulator.

CAUTION:

Do not use machine oil.



4. Attach spring upper seat and mounting insulator as shown in the figure.

CAUTION:

- Make sure coil spring is securely seated in spring mounting groove of spring upper seat.

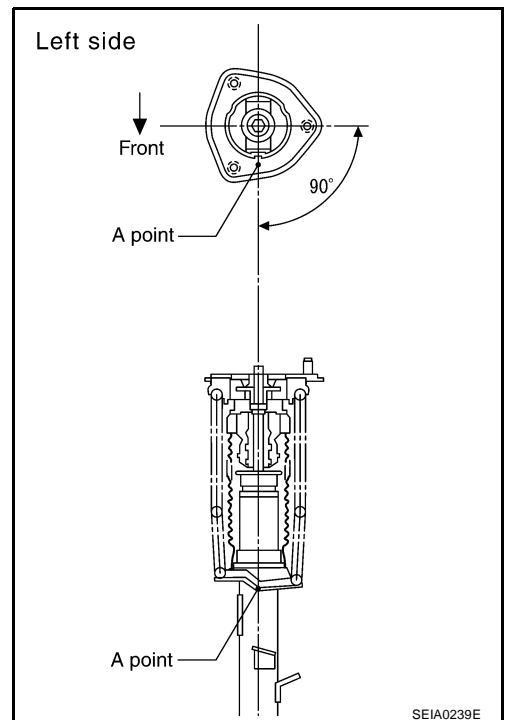
- The bottom part of spring should be at the position of A point of spring seat.

5. Secure piston rod tip so that piston rod does not turn, and tighten the specified torque on piston rod lock nut.
6. Gradually release spring compressor (commercial service tool), and remove coil spring.

CAUTION:

Loosen spring compressor (commercial service tool) while making sure coil spring attachment position does not move.

7. Remove strut attachment (SST) from shock absorber.



A

B

C

D

FSU

F

G

H

I

J

K

L

M

TRANSVERSE LINK

Removal and Installation

REMOVAL

1. Remove tire with power tool.
2. Remove undercover with power tool.
3. Remove mounting nut and washer on lower portion of stabilizer connecting rod with power tool.
4. Remove mounting nut between transverse link and shock absorber on lower position.
5. Remove mounting nut between transverse link and front suspension member with power tool.
6. Remove transverse link from steering knuckle. Refer to [FAX-4, "FRONT WHEEL HUB AND KNUCKLE"](#) .
7. Remove transverse link from vehicle.

INSPECTION AFTER REMOVAL

Visual Inspection

Check transverse link and bushing for deformation, cracks, or damage. If any non-standard condition is found, replace it

INSTALLATION

- Refer to [FSU-9, "Components"](#) for tightening torque. Install in the reverse order of removal.

NOTE:

Refer to component parts location and do not reuse non-reusable parts.

- Perform final tightening of front suspension member installation position and shock absorber lower side (rubber bushing) under unladen condition with tires on ground. Check wheel alignment. Refer to [FSU-7, "Wheel Alignment Inspection"](#) .

UPPER LINK

Removal and Installation

REMOVAL

1. Remove tire with power tool.
2. Remove undercover with power tool.
3. Remove shock absorber. Refer to [FSU-10, "COIL SPRING AND SHOCK ABSORBER"](#) .
4. Remove cotter pin of upper link ball joint, then loosen mounting nut.
5. Use a ball joint remover (suitable tool) to remove upper link from steering knuckle. Be careful not to damage ball joint boot.

CAUTION:

Tighten temporarily mounting nut to prevent damage to threads and to prevent ball joint remover (suitable tool) from coming off.

6. Remove bolts holding upper link to body with power tool.
7. Remove upper link from vehicle.

INSPECTION AFTER REMOVAL

Visual Inspection

- Check upper link and bushing for deformation, cracks, or damage. If any non-standard condition is found, replace it.
- Check boot of ball joint for cracks, or other damage, and also for grease leakage. If any non-standard condition is found, replace it.

Ball Joint Inspection

Manually move ball stud to confirm it moves smoothly with no binding.

Swing Torque Inspection

NOTE:

Before measurement, move ball joint at least ten times by hand to check for smooth movement.

- Hook spring scale at ball stud. Confirm spring scale measurement value is within specifications when ball stud begins moving.

Standard value

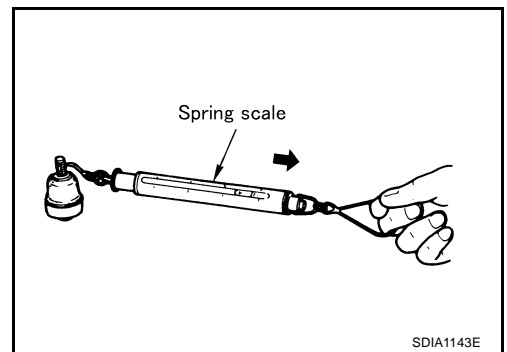
Swing torque:

Less than 2.0 N·m (0.20 kg·m, 18 in·lb)

Measured value of spring scale:

Less than 34.8 N (3.5 kg, 7.8 lb)

- If it is outside the specified range, replace upper link assembly.



Rotating Torque Inspection

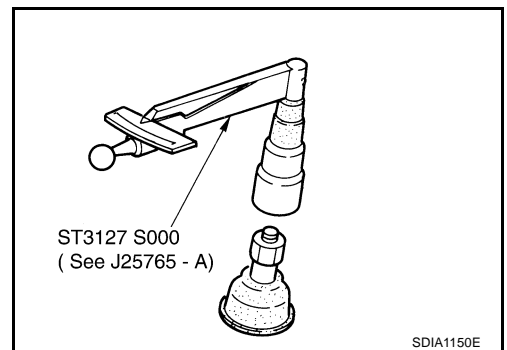
- Attach mounting nut to ball stud. Check that sliding torque is within specifications with a preload gauge (SST).

Standard value

Rotating torque:

Less than 2.0 N·m (0.20 kg·m, 18 in·lb)

- If it is outside the specified range, replace upper link assembly.



Axial End Play Inspection

- Move tip of ball joint in axial direction to check for looseness.

Standard value

Axial end play : 0 mm (0 in)

- If it is outside the specified range, replace upper link assembly.

INSTALLATION

- Refer to [FSU-9, "Components"](#) for tightening torque. Install in the reverse order of removal.

NOTE:

Refer to component parts location and do not reuse non-reusable parts.

- Perform final tightening of front suspension member installation position (rubber bushing) under unladen condition with tires on ground. Check wheel alignment. Refer to [FSU-19, "SERVICE DATA"](#) .

COMPRESSION ROD

Removal and Installation

REMOVAL

1. Remove tire with power tool.
2. Remove undercover with power tool.
3. Remove cotter pin of compression rod ball joint, and loosen nut.
4. Use a ball joint remover (suitable tool) to remove compression rod from steering knuckle. Be careful not to damage ball joint boot.

CAUTION:

Tighten temporarily mounting nut to prevent damage to threads and to prevent ball joint remover (SST) from coming off.

5. Remove compression rod and compression rod stay from vehicle.

INSPECTION AFTER REMOVAL

Visual Inspection

- Check compression rod and bushing for deformation, cracks, or damage. If any non-standard condition is found, replace it.
- Check boot of ball joint for cracks, or other damage, and also for grease leakage. If any non-standard condition is found, replace it.

Ball Joint Inspection

- Manually move ball stud to confirm it moves smoothly with no binding.

Swing Torque Inspection

NOTE:

Before measurement, move ball joint at least ten times by hand to check for smooth movement.

- Hook spring scale at ball stud. Confirm spring scale measurement value is within the specifications when ball stud begins moving.

Standard value

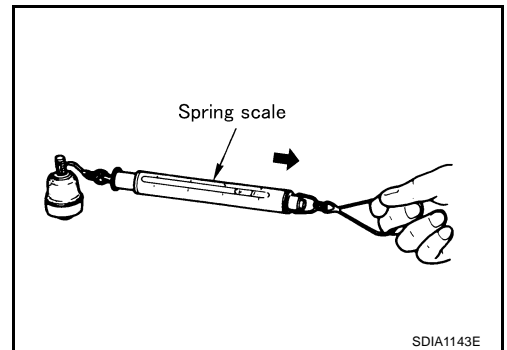
Swing torque:

0.147 - 2.45 N·m (0.02 - 0.24 kg·m, 2 - 21 in·lb)

Measured value of spring scale:

2.37 - 39.5 N (0.24 - 4.03 kg, 0.53 - 8.88 lb)

- If it is outside the specified range, replace compression rod assembly.



Rotating Torque Inspection

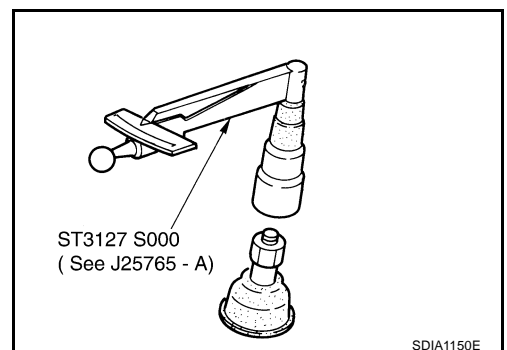
- Attach mounting nut to ball stud. Check that sliding torque is within the specifications with a preload gauge (SST).

Standard value

Rotating torque:

0.147 - 2.45 N·m (0.02 - 0.24 kg·m, 2 - 21 in·lb)

- If it is outside the specified range, replace compression rod assembly.



A
B
C
D
FSU
F
G
H
I
J
K
L
M

AXIAL END PLAY INSPECTION

- Move tip of ball joint in axial direction to check for looseness.

Standard value

Axial end play : 0 mm (0 in)

- If it is outside the specified range, replace compression rod assembly.

INSTALLATION

- Refer to [FSU-9, "Components"](#) for tightening torque. Install in the reverse order of removal.

NOTE:

Refer to component parts location and do not reuse non-reusable parts.

- Perform final tightening of installation position between front suspension member and front cross bar (rubber bushing) under unladen condition with tires on ground. Check wheel alignment. Refer to [FSU-19, "SERVICE DATA"](#).

STABILIZER BAR

[2WD]

STABILIZER BAR

PFP:54611

Removal and Installation

AES00070

REMOVAL

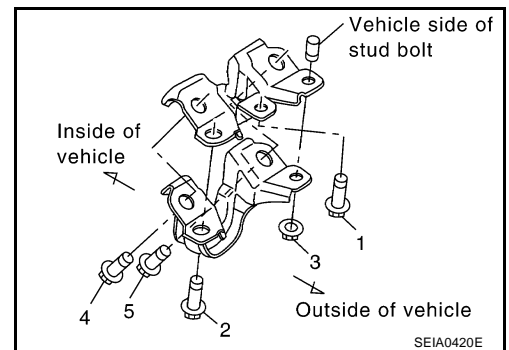
1. Remove tire with power tool.
2. Remove undercover with power tool.
3. Remove mounting nut on upper portion of stabilizer connecting rod with power tool.
4. Remove fixing bolts and nuts, then remove stabilizer clamp, stabilizer bushing, and stabilizer clamp bracket.
5. Remove stabilizer bar from vehicle.

INSPECTION AFTER REMOVAL

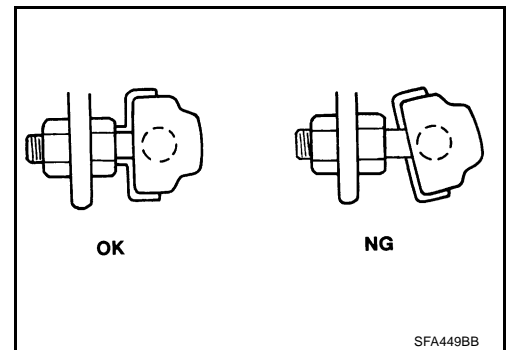
Check stabilizer bar, stabilizer connecting rod, stabilizer bushing, stabilizer clamp and stabilizer clamp bracket for deformation, cracks and damage, and replace if necessary.

INSTALLATION

- Refer to [FSU-9, "Components"](#) for tightening torque. Install in the reverse order of removal.
- Tighten each bolt and nut as shown in the figure for tightening stabilizer bracket and stabilizer clamp. Tightening order is as follows. 1 (fully tighten) → 2 (temporarily tighten) → 3 (temporarily tighten) → 2 (fully tighten) → 3 (fully tighten) → 4, 5 (temporarily tighten) → 4, 5 (fully tighten).



- Stabilizer bar uses pillow ball type connecting rod. Position ball joint with case on pillow ball head parallel to stabilizer bar.



FRONT SUSPENSION MEMBER

PFP:54401

Removal and Installation

REMOVAL

AES000TP

1. Remove tire with power tool.
2. Remove undercover with power tool.
3. Remove steering hydraulic piping bracket from front suspension member. Refer to [PS-30, "HYDRAULIC LINE"](#) .
4. Remove steering gear and front suspension member attachment bolts and hang steering gear on vehicle. Refer to [PS-14, "POWER STEERING GEAR AND LINKAGE"](#) .
5. Remove fixing bolts and nut, then remove compression rod stay from vehicle.
6. Remove transverse link from front suspension member with power tool. Refer to [FSU-12, "TRANSVERSE LINK"](#) .
7. Set jack under engine.
CAUTION:
When setting jack to engine, use a wooden block or an equivalent for the setting.
8. Remove fixing nuts between engine mounting insulator and front suspension member. Refer to [EM-104, "ENGINE ASSEMBLY"](#) .
9. Remove fixing nuts between front suspension member and body with power tool.
10. Remove front suspension member from vehicle.

INSPECTION AFTER REMOVAL

Check front suspension member for deformation, cracks, or any other damage. Replace if necessary.

INSTALLATION

- Refer to [FSU-9, "Components"](#) for tightening torque. Install in the reverse order of removal.
- Perform final tightening of installation position between front suspension member and transverse link (rubber bushing) under unladen condition with tires on level ground. Check wheel alignment. Refer to [FSU-19, "SERVICE DATA"](#) .

SERVICE DATA

[2WD]

SERVICE DATA

PFP:00030

Wheel Alignment (Unladen)

AES0007Q

Camber Degree minute (Decimal degree)	Minimum	- 0° 50' (- 0.83°)	
	Nominal	- 0° 05' (- 0.08°)	
	Maximum	0° 40' (0.67°)	
	Left and right difference	45' (0.75°)	
Caster Degree minute (Decimal degree)	Minimum	7° 00' (7.00°)	
	Nominal	7° 45' (8.17°)	
	Maximum	8° 30' (8.50°)	
	Left and right difference	45' (0.75°)	
Kingpin inclination Degree minute (Decimal degree)	Minimum	3° 45' (3.75°)	
	Nominal	4° 30' (4.50°)	
	Maximum	5° 15' (5.25°)	
Total toe-in	Distance (A - B)	Minimum	0 mm (0 in)
		Nominal	1 mm (0.04 in)
		Maximum	2 mm (0.08 in)

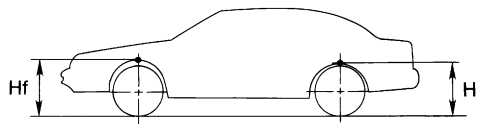
Ball Joint

AES0007R

Swing torque	Less than 2.0 N·m (0.20 kg·m, 18 in·lb) (Upper link) 0.147 - 2.45 N·m (0.02 - 0.24 kg·m, 2 - 21 in·lb) (Compression rod)
Measurement on spring balance (cotter pinhole position)	Less than 34.8 N (3.5 kg, 7.8 lb) (Upper link) 2.37 - 39.5 N (0.24 - 4.03 kg, 0.53 - 8.88 lb) (Compression rod)
Rotating torque	Less than 2.0 N·m (0.20 kg·m, 18 in·lb) (Upper link) 0.147 - 2.45 N·m (0.02 - 0.24 kg·m, 2 - 21 in·lb) (Compression rod)
Axial end play	0 mm (0 in)

Wheelarch Height (Unladen*)

AES0007S



SFA818A

Applied model	A/T		M/T
	205/65R16	215/55R17	
Front (Hf)	711 mm (27.99 in)		710 (27.95 in)
Rear (Hr)	703 mm (27.68 in)	704 mm (27.72 in)	703 mm (27.68 in)

*: Fuel, radiator coolant and engine oil full. Spare tire, jack, hand tools and mats in designated positions.

