

SECTION **PWO**
POWER OUTLET

A
B
C
D
E
F
G
H
I
J
K
L
N
O
P

CONTENTS

DTC/CIRCUIT DIAGNOSIS	2	CIGARETTE LIGHTER	5
CIGARETTE LIGHTER	2	Exploded View	5
Wiring Diagram - CIGARETTE LIGHTER -	2	Removal and Installation	5
POWER SOCKET	3	POWER SOCKET	6
Wiring Diagram - POWER SOCKET -	3	FRONT POWER SOCKET	6
PRECAUTION	4	FRONT POWER SOCKET : Exploded View	6
PRECAUTIONS	4	FRONT POWER SOCKET : Removal and Instal- lation	6
Precaution for Supplemental Restraint System (SRS) "AIR BAG" and "SEAT BELT PRE-TEN- SIONER"	4	CONSOLE POWER SOCKET	6
REMOVAL AND INSTALLATION	5	CONSOLE POWER SOCKET : Exploded View	6
		CONSOLE POWER SOCKET : Removal and In- stallation	6

PWO

CIGARETTE LIGHTER

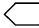
< DTC/CIRCUIT DIAGNOSIS >

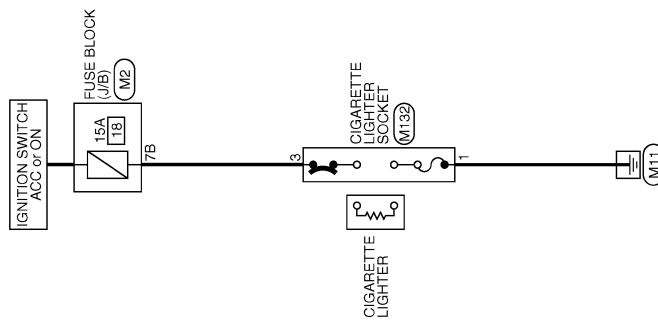
DTC/CIRCUIT DIAGNOSIS

CIGARETTE LIGHTER

Wiring Diagram - CIGARETTE LIGHTER -

INFOID:000000007466354

For connector terminal arrangements, harness layouts, and alphabets in a  (option abbreviation; if not described in wiring diagram), refer to [GI-12. "Connector Information"](#).



CIGARETTE LIGHTER

2010/08/18

JCMWM9734GB

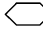
POWER SOCKET

< DTC/CIRCUIT DIAGNOSIS >

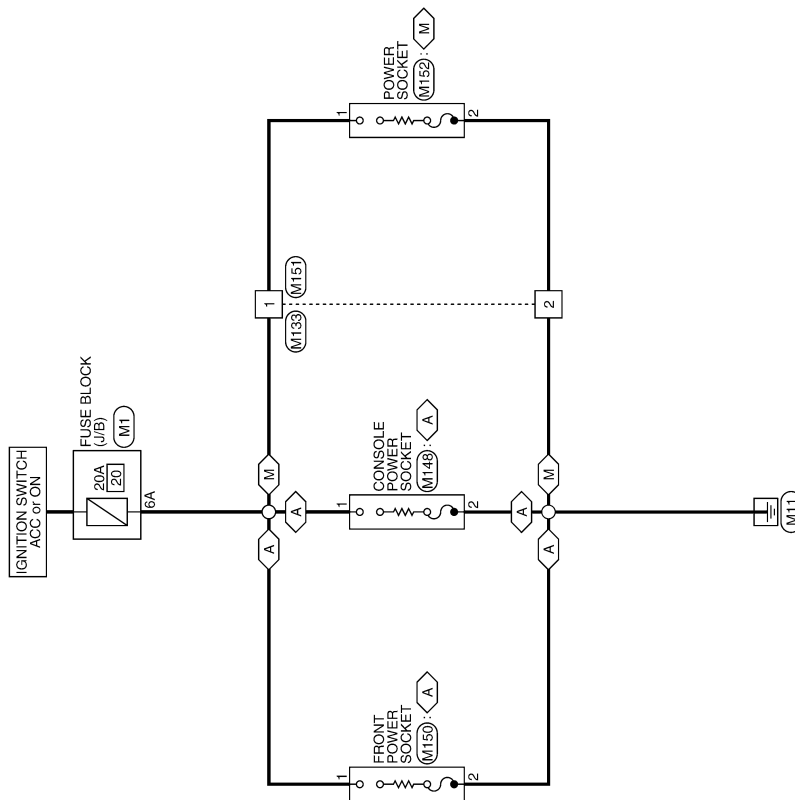
POWER SOCKET

Wiring Diagram - POWER SOCKET -

INFOID:000000007466355

For connector terminal arrangements, harness layouts, and alphabets in a  (option abbreviation; if not described in wiring diagram), refer to [GI-12, "Connector Information"](#).

 : With A/T
 : With M/T



POWER SOCKET

PWO

2011/07/07

JRMWC4269GB

PRECAUTIONS

< PRECAUTION >

PRECAUTION

PRECAUTIONS

Precaution for Supplemental Restraint System (SRS) "AIR BAG" and "SEAT BELT PRE-TENSIONER"

INFOID:000000007466356

The Supplemental Restraint System such as "AIR BAG" and "SEAT BELT PRE-TENSIONER", used along with a front seat belt, helps to reduce the risk or severity of injury to the driver and front passenger for certain types of collision. This system includes seat belt switch inputs and dual stage front air bag modules. The SRS system uses the seat belt switches to determine the front air bag deployment, and may only deploy one front air bag, depending on the severity of a collision and whether the front occupants are belted or unbelted. Information necessary to service the system safely is included in the "SRS AIR BAG" and "SEAT BELT" of this Service Manual.

WARNING:

Always observe the following items for preventing accidental activation.

- To avoid rendering the SRS inoperative, which could increase the risk of personal injury or death in the event of a collision that would result in air bag inflation, all maintenance must be performed by an authorized NISSAN/INFINITI dealer.
- Improper maintenance, including incorrect removal and installation of the SRS, can lead to personal injury caused by unintentional activation of the system. For removal of Spiral Cable and Air Bag Module, see "SRS AIR BAG".
- Never use electrical test equipment on any circuit related to the SRS unless instructed to in this Service Manual. SRS wiring harnesses can be identified by yellow and/or orange harnesses or harness connectors.

PRECAUTIONS WHEN USING POWER TOOLS (AIR OR ELECTRIC) AND HAMMERS

WARNING:

Always observe the following items for preventing accidental activation.

- When working near the Air Bag Diagnosis Sensor Unit or other Air Bag System sensors with the ignition ON or engine running, never use air or electric power tools or strike near the sensor(s) with a hammer. Heavy vibration could activate the sensor(s) and deploy the air bag(s), possibly causing serious injury.
- When using air or electric power tools or hammers, always switch the ignition OFF, disconnect the battery, and wait at least 3 minutes before performing any service.

CIGARETTE LIGHTER

< REMOVAL AND INSTALLATION >

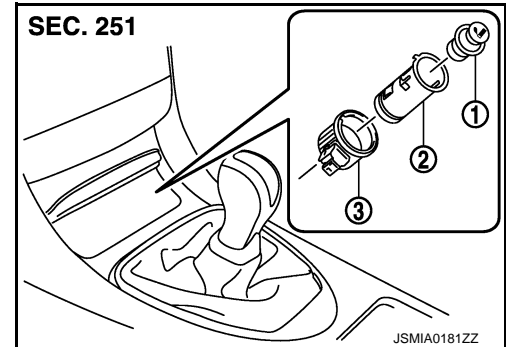
REMOVAL AND INSTALLATION

CIGARETTE LIGHTER

Exploded View

INFOID:000000007466357

- 1 : Cigarette lighter
- 2 : Cigarette lighter socket
- 3 : Cigarette lighter ring

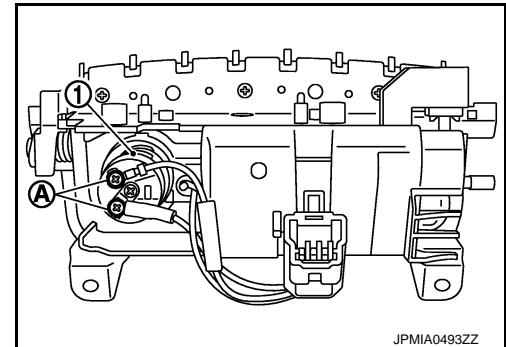


Removal and Installation

INFOID:000000007466358

REMOVAL

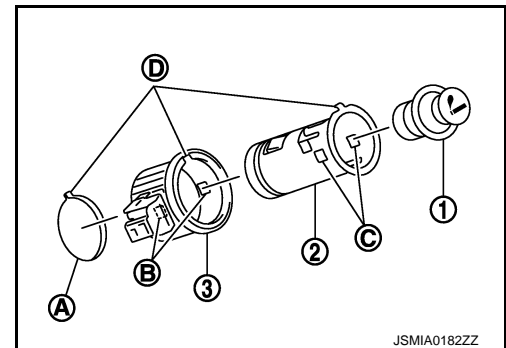
1. Remove console finisher assembly. Refer to [IP-38, "M/T MODELS : Exploded View"](#).
2. Remove the screws (A) from reverse side cigarette lighter socket (1).



3. Pull out cigarette lighter (1).

- A : Hole for cigarette lighter (Console finisher assembly)
- D : Cut out

4. Pull out cigarette lighter socket (2) by pushing the cigarette lighter ring pawl (B) from the cigarette lighter socket hole (square) (C).
5. Remove cigarette lighter ring (3) from console finisher assembly while pressing pawls.



INSTALLATION

Install in the reverse order of removal.

NOTE:

Align the cut outs of cigarette lighter socket, cigarette lighter ring and console finisher assembly.

POWER SOCKET

< REMOVAL AND INSTALLATION >

POWER SOCKET

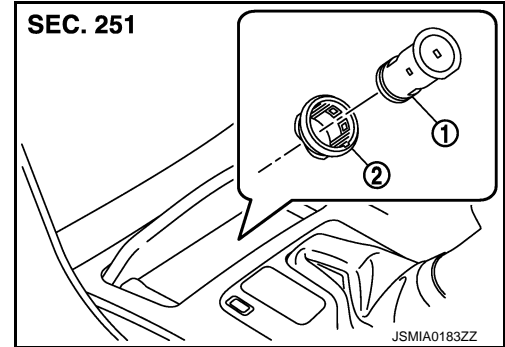
FRONT POWER SOCKET

FRONT POWER SOCKET : Exploded View

INFOID:000000007466359

FRONT POWER SOCKET

- 1 : Inner socket
- 2 : Ring



FRONT POWER SOCKET : Removal and Installation

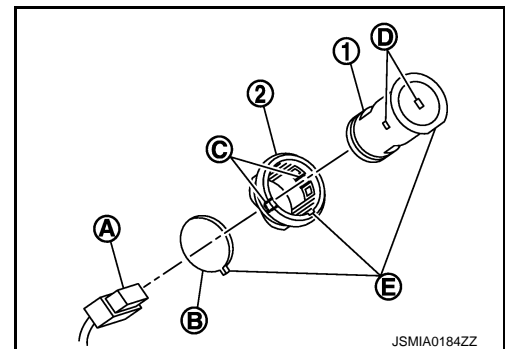
INFOID:000000007466360

REMOVAL

1. Remove console finisher assembly. Refer to [IP-33, "A/T MOD-ELS : Exploded View"](#).
2. Disconnect power socket connector (A).

- B : Hole for power socket
(Console finisher assembly)
- E : Cut out

3. Pull out inner socket (1) by pushing the ring pawl (C) from the inner socket hole (square) (D).
4. Remove ring (2) from console finisher assembly while pressing pawls.



INSTALLATION

Install in the reverse order of removal.

NOTE:

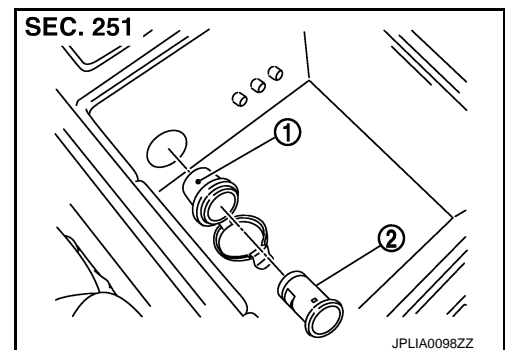
Align the cut outs of inner socket, ring and console finisher assembly.

CONSOLE POWER SOCKET

CONSOLE POWER SOCKET : Exploded View

INFOID:000000007466361

- 1 : Ring
- 2 : Inner socket



CONSOLE POWER SOCKET : Removal and Installation

INFOID:000000007466362

REMOVAL

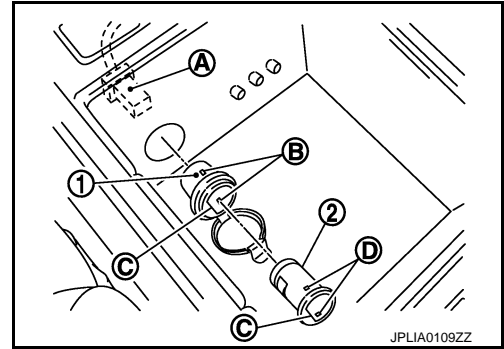
POWER SOCKET

< REMOVAL AND INSTALLATION >

1. Remove center console assembly. Refer to [IP-33. "A/T MODELS : Exploded View"](#) (A/T models) or [IP-38. "M/T MODELS : Exploded View"](#) (M/T models).
2. Disconnect power socket connector (A).

C : Cut out

3. Pull out inner socket (2) by pushing the ring pawl (B) from the inner socket hole (square) (D).
4. Remove ring (1) from console box while pressing pawls.



INSTALLATION

Install in the reverse order of removal.

NOTE:

Align the cut outs of inner socket and ring.

A
B
C
D
E
F
G
H
I
J
K
L
N
O
P

PWO