

SECTION **FL**  
FUEL SYSTEM

A

FL

C

D

E

CONTENTS

<b>PRECAUTION</b> .....	2	<b>REMOVAL AND INSTALLATION</b> .....	3	F
<b>PRECAUTIONS</b> .....	2	<b>EVAP CANISTER</b> .....	3	
Precaution for Working Range at a Regular Dealership .....	2	Exploded View .....	3	G
Precaution for Battery Service .....	2	Removal and Installation .....	3	
		Inspection .....	4	H

H

I

J

K

L

M

N

O

P

## PRECAUTIONS

< PRECAUTION >

---

### PRECAUTION

#### PRECAUTIONS

##### Precaution for Working Range at a Regular Dealership

*INFOID:000000009164427*

**CAUTION:**

**The service items unmentioned on this manual are recommended to be performed by a GT-R certified NISSAN dealer. Because those service items require special equipment and a GT-R certified technical staff who completed special training.**

##### Precaution for Battery Service

*INFOID:000000009159997*

Before disconnecting the battery, lower both the driver and passenger windows. This will prevent any interference between the window edge and the vehicle when the door is opened/closed. During normal operation, the window slightly raises and lowers automatically to prevent any window to vehicle interference. The automatic window function will not work with the battery disconnected.

# EVAP CANISTER

< REMOVAL AND INSTALLATION >

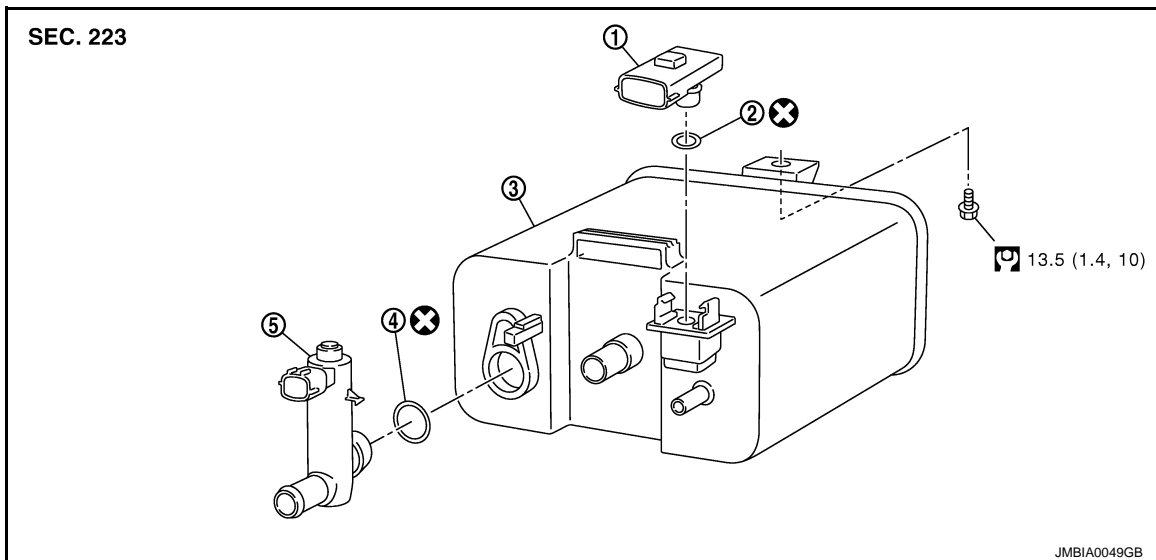
## REMOVAL AND INSTALLATION

### EVAP CANISTER

#### Exploded View

INFOID:000000009160008

A  
FL



1. EVAP canister system pressure sensor  
2. O-ring  
3. EVAP canister  
4. O-ring  
5. EVAP canister vent control valve
- Refer to [GI-4, "Components"](#) for symbols not described on the above.

#### Removal and Installation

INFOID:000000009160009

##### REMOVAL

1. Lift up the vehicle.
2. Remove EVAP canister fixing bolt.
3. Remove EVAP canister.

##### NOTE:

The EVAP canister vent control valve and EVAP canister system pressure sensor can be removed without removing the EVAP canister.

##### INSTALLATION

Install in the reverse order of removal.

##### NOTE:

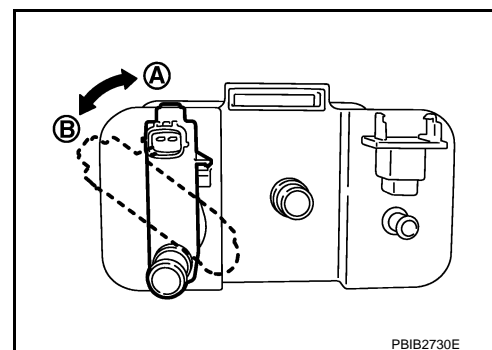
Tighten EVAP canister fixing bolt to the specified torque.

##### DISASSEMBLY

1. Turn EVAP canister vent control valve counterclockwise.

- A : Lock  
B : Unlock

2. Remove the EVAP canister vent control valve.



C  
D  
E  
F  
G  
H  
I  
J  
K  
L  
M  
N  
O  
P

# EVAP CANISTER

## < REMOVAL AND INSTALLATION >

### ASSEMBLY

Assemble in the reverse order of disassembly.

#### **CAUTION:**

**Always replace O-ring with a new one.**

### Inspection

INFOID:000000009160010

Check EVAP canister as follows:

1. Block port (B).
2. Blow air into port (A) and check that it flows freely out of port (C).
3. Release blocked port (B).
4. Apply vacuum pressure to port (B) and check that vacuum pressure exists at the ports (A) and (C).
5. Block port (A) and (B).
6. Apply pressure to port (C) and check that there is no leakage.

