

SECTION **PWO**  
POWER OUTLET

A  
B  
C  
D  
E  
F  
G  
H  
I  
J  
K  
L  
N  
O  
P

CONTENTS

<b>DTC/CIRCUIT DIAGNOSIS</b> .....	2	<b>PREPARATION</b> .....	6
<b>POWER SOCKET</b> .....	2	<b>PREPARATION</b> .....	6
<b>INSTRUMENT POWER SOCKET</b> .....	2	Commercial Service Tools .....	6
INSTRUMENT POWER SOCKET : Wiring Dia- gram - INSTRUMENT POWER SOCKET - .....	2	<b>REMOVAL AND INSTALLATION</b> .....	7
<b>CONSOLE POWER SOCKET</b> .....	3	<b>POWER SOCKET</b> .....	7
CONSOLE POWER SOCKET : Wiring Diagram - CONSOLE POWER SOCKET - .....	4	<b>INSTRUMENT POWER SOCKET</b> .....	7
<b>PRECAUTION</b> .....	5	INSTRUMENT POWER SOCKET : Exploded View .....	7
<b>PRECAUTIONS</b> .....	5	INSTRUMENT POWER SOCKET : Removal and Installation .....	7
Precaution for Supplemental Restraint System (SRS) "AIR BAG" and "SEAT BELT PRE-TEN- SIONER" .....	5	<b>CONSOLE POWER SOCKET</b> .....	7
Precaution for Battery Service .....	5	CONSOLE POWER SOCKET : Exploded View .....	8
		CONSOLE POWER SOCKET : Removal and In- stallation .....	8

PWO

## POWER SOCKET

< DTC/CIRCUIT DIAGNOSIS >

---

### DTC/CIRCUIT DIAGNOSIS

POWER SOCKET

INSTRUMENT POWER SOCKET

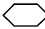
INSTRUMENT POWER SOCKET : Wiring Diagram - INSTRUMENT POWER SOCK-

# POWER SOCKET

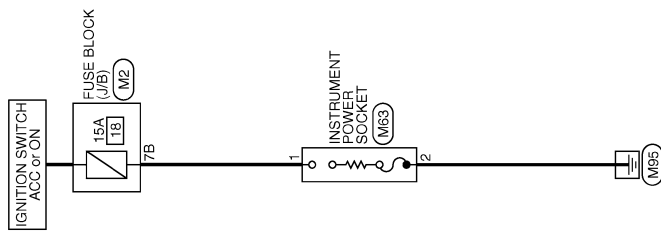
< DTC/CIRCUIT DIAGNOSIS >

ET -

INFOID:000000009163466

For connector terminal arrangements, harness layouts, and alphabets in a  (option abbreviation; if not described in wiring diagram), refer to [GI-12, "Connector Information"](#).

A  
B  
C  
D  
E  
F  
G  
H  
I  
J  
K  
L  
N  
O  
P



INSTRUMENT POWER SOCKET

PWO

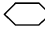
CONSOLE POWER SOCKET

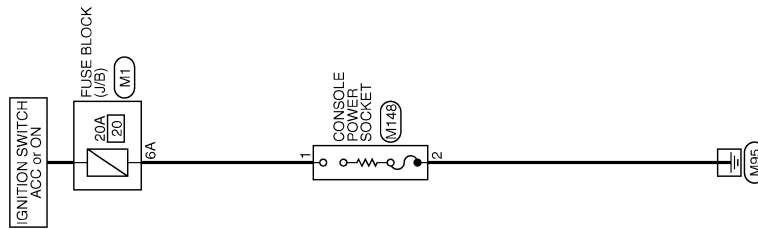
# POWER SOCKET

< DTC/CIRCUIT DIAGNOSIS >

## CONSOLE POWER SOCKET : Wiring Diagram - CONSOLE POWER SOCKET -

INFOID:000000009163467

For connector terminal arrangements, harness layouts, and alphabets in a  (option abbreviation; if not described in wiring diagram), refer to [GI-12, "Connector Information"](#).



CONSOLE POWER SOCKET

2009/11/10

JCMWA5416GB

# PRECAUTIONS

< PRECAUTION >

## PRECAUTION

### PRECAUTIONS

#### Precaution for Supplemental Restraint System (SRS) "AIR BAG" and "SEAT BELT PRE-TENSIONER"

INFOID:000000009163468

The Supplemental Restraint System such as "AIR BAG" and "SEAT BELT PRE-TENSIONER", used along with a front seat belt, helps to reduce the risk or severity of injury to the driver and front passenger for certain types of collision. This system includes seat belt switch inputs and dual stage front air bag modules. The SRS system uses the seat belt switches to determine the front air bag deployment, and may only deploy one front air bag, depending on the severity of a collision and whether the front occupants are belted or unbelted. Information necessary to service the system safely is included in the "SRS AIR BAG" and "SEAT BELT" of this Service Manual.

#### **WARNING:**

Always observe the following items for preventing accidental activation.

- To avoid rendering the SRS inoperative, which could increase the risk of personal injury or death in the event of a collision that would result in air bag inflation, all maintenance must be performed by an authorized NISSAN/INFINITI dealer.
- Improper maintenance, including incorrect removal and installation of the SRS, can lead to personal injury caused by unintentional activation of the system. For removal of Spiral Cable and Air Bag Module, see "SRS AIR BAG".
- Never use electrical test equipment on any circuit related to the SRS unless instructed to in this Service Manual. SRS wiring harnesses can be identified by yellow and/or orange harnesses or harness connectors.

#### PRECAUTIONS WHEN USING POWER TOOLS (AIR OR ELECTRIC) AND HAMMERS

#### **WARNING:**

Always observe the following items for preventing accidental activation.

- When working near the Air Bag Diagnosis Sensor Unit or other Air Bag System sensors with the ignition ON or engine running, never use air or electric power tools or strike near the sensor(s) with a hammer. Heavy vibration could activate the sensor(s) and deploy the air bag(s), possibly causing serious injury.
- When using air or electric power tools or hammers, always switch the ignition OFF, disconnect the battery, and wait at least 3 minutes before performing any service.

#### Precaution for Battery Service

INFOID:000000009163469

Before disconnecting the battery, lower both the driver and passenger windows. This will prevent any interference between the window edge and the vehicle when the door is opened/closed. During normal operation, the window slightly raises and lowers automatically to prevent any window to vehicle interference. The automatic window function will not work with the battery disconnected.

A  
B  
C  
D  
E  
F  
G  
H  
I  
J  
K  
L  
P

PWO

# PREPARATION

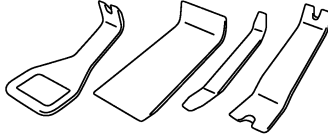
< PREPARATION >

## PREPARATION

### PREPARATION

#### Commercial Service Tools

INFOID:000000009163470

Tool name	Description
Remover tool  PIIB7923J	Removing clips, pawls, metal clips

# POWER SOCKET

< REMOVAL AND INSTALLATION >

## REMOVAL AND INSTALLATION

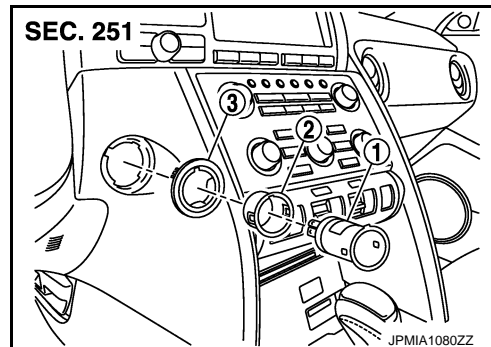
### POWER SOCKET

### INSTRUMENT POWER SOCKET

### INSTRUMENT POWER SOCKET : Exploded View

INFOID:000000009163471

- 1 : Inner socket
- 2 : Ring
- 3 : Seal




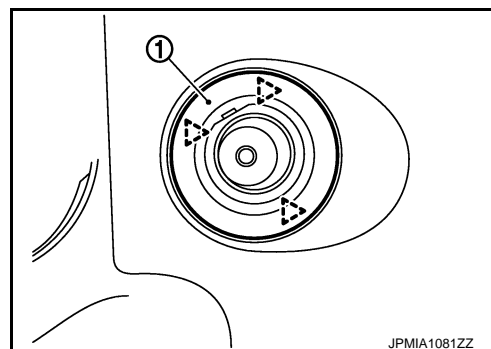
### INSTRUMENT POWER SOCKET : Removal and Installation

INFOID:000000009163472

#### REMOVAL

1. Remove instrument power socket assembly (1) by using a remover tool.

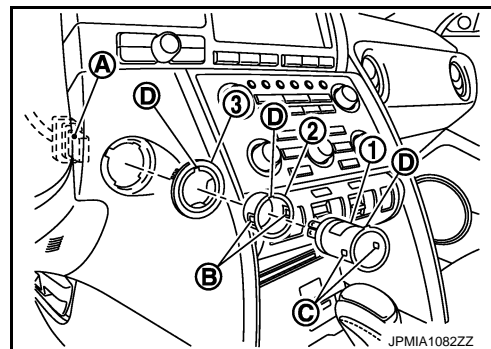
 : Pawl



2. Disconnect power socket connector (A).

2 : Ring  
D : Cut out

3. Pull out inner socket (1) by pushing the ring pawl (B) from the inner socket hole (square) (C).
4. Remove seal (3) by pushing the ring pawl.



#### INSTALLATION

Install in the reverse order of removal.

#### NOTE:

Align the cut outs of inner socket, ring, and seal.

### CONSOLE POWER SOCKET

A  
B  
C  
D  
E  
F  
G  
H  
I  
J  
K  
L  
PWO  
N  
O  
P

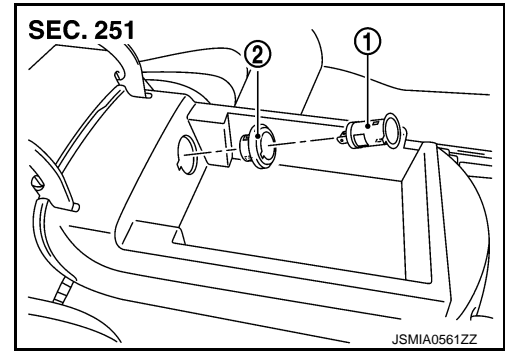
# POWER SOCKET

< REMOVAL AND INSTALLATION >

## CONSOLE POWER SOCKET : Exploded View

INFOID:000000009163473

- 1 : Inner socket
- 2 : Ring



## CONSOLE POWER SOCKET : Removal and Installation

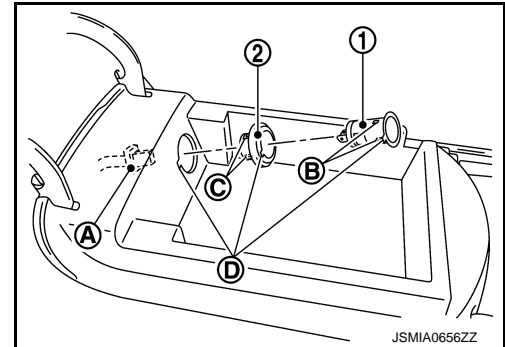
INFOID:000000009163474

### REMOVAL

1. Remove center console assembly. Refer to [IP-23, "Exploded View"](#).
2. Disconnect power socket connector (A).

D : Cut out

3. Pull out inner socket (1) by pushing the ring pawl (C) from the inner socket hole (square) (B).
4. Remove ring (2) from center console assembly while pressing pawls.



### INSTALLATION

Install in the reverse order of removal.

#### **NOTE:**

Align the cut outs of inner socket, ring, and center console assembly.