

SECTION **FAX**  
FRONT AXLE

A  
B  
C

FAX

CONTENTS

<b>SYMPTOM DIAGNOSIS</b> .....	2	Removal and Installation (GT-R certified NISSAN dealer) .....	9		F
<b>NOISE, VIBRATION AND HARSHNESS (NVH) TROUBLESHOOTING</b> .....	2	Inspection (GT-R certified NISSAN dealer) .....	11		
NVH Troubleshooting Chart .....	2	<b>FRONT DRIVE SHAFT BOOT</b> .....	12		G
<b>PRECAUTION</b> .....	3	Exploded View (GT-R certified NISSAN dealer) .....	12		
<b>PRECAUTIONS</b> .....	3	<b>WHEEL SIDE</b> .....	13		H
Precaution for Supplemental Restraint System (SRS) "AIR BAG" and "SEAT BELT PRE-TENSIONER" .....	3	WHEEL SIDE : Removal and Installation (GT-R certified NISSAN dealer) .....	13		
Precautions Necessary for Steering Wheel Rotation After Battery Disconnection .....	3	<b>FINAL DRIVE SIDE</b> .....	15		I
General Precautions .....	4	FINAL DRIVE SIDE : Removal and Installation (GT-R certified NISSAN dealer) .....	15		J
Precautions for Removing Battery Terminal .....	4	Inspection (GT-R certified NISSAN dealer) .....	15		
Precautions for Wheel Hub and Bearing Assembly and Steering Knuckle (GT-R certified NISSAN dealer) .....	4	<b>FRONT DRIVE SHAFT</b> .....	16		K
Precautions for Drive Shaft (GT-R certified NISSAN dealer) .....	4	Exploded View (GT-R certified NISSAN dealer) .....	16		
<b>PREPARATION</b> .....	5	<b>LEFT SIDE</b> .....	17		L
<b>PREPARATION</b> .....	5	LEFT SIDE : Removal and Installation (GT-R certified NISSAN dealer) .....	17		
Special Service Tool (GT-R certified NISSAN dealer) .....	5	<b>RIGHT SIDE</b> .....	17		M
Commercial Service Tool (GT-R certified NISSAN dealer) .....	5	RIGHT SIDE : Removal and Installation (GT-R certified NISSAN dealer) .....	17		
<b>PERIODIC MAINTENANCE</b> .....	7	<b>WHEEL SIDE</b> .....	19		N
<b>FRONT WHEEL HUB AND KNUCKLE</b> .....	7	WHEEL SIDE : Disassembly and Assembly (GT-R certified NISSAN dealer) .....	19		
Inspection .....	7	<b>FINAL DRIVE SIDE</b> .....	20		O
<b>FRONT DRIVE SHAFT</b> .....	8	FINAL DRIVE SIDE : Disassembly and Assembly (GT-R certified NISSAN dealer) .....	20		
Inspection .....	8	Inspection (GT-R certified NISSAN dealer) .....	23		
<b>REMOVAL AND INSTALLATION</b> .....	9	<b>SERVICE DATA AND SPECIFICATIONS (SDS)</b> .....	25		P
<b>FRONT WHEEL HUB AND KNUCKLE</b> .....	9	<b>SERVICE DATA AND SPECIFICATIONS (SDS)</b> .....	25		
Exploded View .....	9	Wheel Bearing (GT-R certified NISSAN dealer) .....	25		
		Drive Shaft (GT-R certified NISSAN dealer) .....	25		



# PRECAUTIONS

< PRECAUTION >

## PRECAUTION

### PRECAUTIONS

#### Precaution for Supplemental Restraint System (SRS) "AIR BAG" and "SEAT BELT PRE-TENSIONER"

INFOID:000000011488406

The Supplemental Restraint System such as "AIR BAG" and "SEAT BELT PRE-TENSIONER", used along with a front seat belt, helps to reduce the risk or severity of injury to the driver and front passenger for certain types of collision. This system includes seat belt switch inputs and dual stage front air bag modules. The SRS system uses the seat belt switches to determine the front air bag deployment, and may only deploy one front air bag, depending on the severity of a collision and whether the front occupants are belted or unbelted. Information necessary to service the system safely is included in the "SRS AIR BAG" and "SEAT BELT" of this Service Manual.

#### **WARNING:**

Always observe the following items for preventing accidental activation.

- To avoid rendering the SRS inoperative, which could increase the risk of personal injury or death in the event of a collision that would result in air bag inflation, all maintenance must be performed by an authorized NISSAN/INFINITI dealer.
- Improper maintenance, including incorrect removal and installation of the SRS, can lead to personal injury caused by unintentional activation of the system. For removal of Spiral Cable and Air Bag Module, see "SRS AIR BAG".
- Never use electrical test equipment on any circuit related to the SRS unless instructed to in this Service Manual. SRS wiring harnesses can be identified by yellow and/or orange harnesses or harness connectors.

#### PRECAUTIONS WHEN USING POWER TOOLS (AIR OR ELECTRIC) AND HAMMERS

#### **WARNING:**

Always observe the following items for preventing accidental activation.

- When working near the Air Bag Diagnosis Sensor Unit or other Air Bag System sensors with the ignition ON or engine running, never use air or electric power tools or strike near the sensor(s) with a hammer. Heavy vibration could activate the sensor(s) and deploy the air bag(s), possibly causing serious injury.
- When using air or electric power tools or hammers, always switch the ignition OFF, disconnect the battery, and wait at least 3 minutes before performing any service.

#### Precautions Necessary for Steering Wheel Rotation After Battery Disconnection

INFOID:000000011488407

#### **CAUTION:**

Comply with the following cautions to prevent any error and malfunction.

- Before removing and installing any control units, first turn the ignition switch to the LOCK position, then disconnect both battery cables.
- After finishing work, confirm that all control unit connectors are connected properly, then re-connect both battery cables.
- Always use CONSULT to perform self-diagnosis as a part of each function inspection after finishing work. If a DTC is detected, perform trouble diagnosis according to self-diagnosis results.

For vehicle with steering lock unit, if the battery is disconnected or discharged, the steering wheel will lock and cannot be turned.

If turning the steering wheel is required with the battery disconnected or discharged, follow the operation procedure below before starting the repair operation.

#### OPERATION PROCEDURE

1. Connect both battery cables.

#### **NOTE:**

Supply power using jumper cables if battery is discharged.

2. Turn the ignition switch to ACC position.  
(At this time, the steering lock will be released.)
3. Disconnect both battery cables. The steering lock will remain released with both battery cables disconnected and the steering wheel can be turned.

# PRECAUTIONS

## < PRECAUTION >

4. Perform the necessary repair operation.
5. When the repair work is completed, re-connect both battery cables. With the brake pedal released, turn the ignition switch from ACC position to ON position, then to LOCK position. (The steering wheel will lock when the ignition switch is turned to LOCK position.)
6. Perform self-diagnosis check of all control units using CONSULT.

## General Precautions

INFOID:000000011488408

### CAUTION:

After finishing servicing, check that all the tools and waste are stored in a customary place.

## Precautions for Removing Battery Terminal

INFOID:000000011488409

- When removing the 12V battery terminal, turn OFF the ignition switch and wait at least 30 seconds.

### NOTE:

ECU may be active for several tens of seconds after the ignition switch is turned OFF. If the battery terminal is removed before ECU stops, then a DTC detection error or ECU data corruption may occur.

- For vehicles with the 2-batteries, be sure to connect the main battery and the sub battery before turning ON the ignition switch.

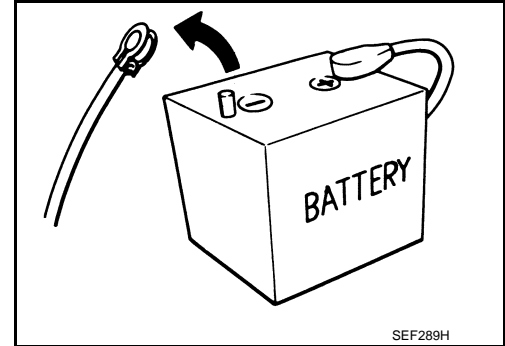
### NOTE:

If the ignition switch is turned ON with any one of the terminals of main battery and sub battery disconnected, then DTC may be detected.

- After installing the 12V battery, always check "Self Diagnosis Result" of all ECUs and erase DTC.

### NOTE:

The removal of 12V battery may cause a DTC detection error.



## Precautions for Wheel Hub and Bearing Assembly and Steering Knuckle (GT-R certified NISSAN dealer)

INFOID:000000011488410

- Always tighten each mounting bolt and nut to the specified torque when they are cold.
- When performing removal or installation work, check for any foreign materials entered. If any, eliminate or clean them.
- Check that the wheel hub and bearing assemblies have no backlash and no jerky motion in rotation direction. When changing engine oil, be sure to check them with the road wheels removed.
- At the first special maintenance (the mileage of 1,000 miles or 2,000 km), retighten the right and left wheel hub lock nuts to 250 N·m (26 kg-m, 184 ft-lb). At every maintenance after the first one, be sure to check that the nuts are not loose.
- When performing inspections or before and after performance driving, check that wheel hub lock nut is not loose.

## Precautions for Drive Shaft (GT-R certified NISSAN dealer)

INFOID:000000011488411

Observe the following precautions when disassembling and assembling drive shaft.

- Never disassemble joint sub-assembly because it is non-overhaul parts.
- Perform work in a location which is as dust-free as possible.
- Clean the parts before disassembling and assembling.
- Prevent the entry of foreign objects must be taken into account during disassembly of the service location.
- Reassemble disassembled parts carefully in the correct order. If work is interrupted, a clean cover must be placed over parts.
- Use paper waste. Never fabric shop cloths must not be used because of the danger of lint adhering to parts.
- Clean disassembled parts (except for rubber parts) with kerosene which shall be removed by blowing with air or wiping with paper waste.
- Check drive shaft boot for cracks before and after performance driving.

# PREPARATION

< PREPARATION >

## PREPARATION

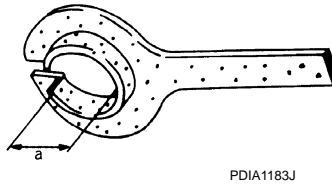
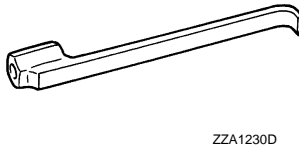
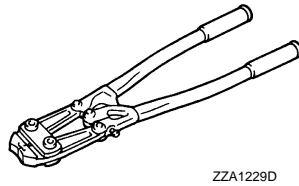
### PREPARATION

Special Service Tool (GT-R certified NISSAN dealer)

INFOID:000000011488412

The actual shapes of Kent-Moore tools may differ from those of the special service tools illustrated here.

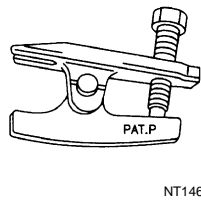
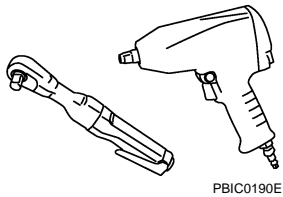
Tool number (Kent-Moore No.) Tool name	Description
KV40107300 ( - ) Boot band crimping tool	Installing boot band
KV40107500 ( - ) Drive shaft attachment	Removing drive shaft
KV38107900 ( - ) Protector a: 32 mm (1.26 in) dia.	Installing drive shaft



Commercial Service Tool (GT-R certified NISSAN dealer)

INFOID:000000011488413

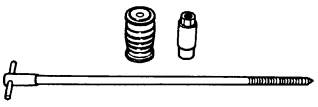
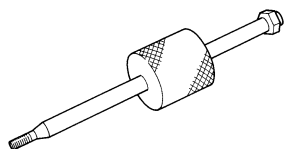
Tool name	Description
Power tool	Loosening bolts and nuts
Ball joint remover	Removing ball joint for steering knuckle



A  
B  
C  
FAX  
E  
F  
G  
H  
I  
J  
K  
L  
M  
N  
O  
P

# PREPARATION

## < PREPARATION >

Tool name	Description
<p data-bbox="162 199 332 226">Drive shaft puller</p>  <p data-bbox="820 415 917 436">JPDIG0152ZZ</p>	<p data-bbox="1006 199 1396 226">Remove drive shaft joint sub assembly</p>
<p data-bbox="162 451 324 478">Sliding hummer</p>  <p data-bbox="820 667 901 688">ZZA0023D</p>	<p data-bbox="1006 451 1209 478">Remove drive shaft</p>

# FRONT WHEEL HUB AND KNUCKLE

< PERIODIC MAINTENANCE >

## PERIODIC MAINTENANCE

### FRONT WHEEL HUB AND KNUCKLE

#### Inspection

INFOID:000000011488414

#### MOUNTING INSPECTION

Check that the mounting conditions (looseness, back lash) of each component and component conditions (wear, damage) are normal.

#### WHEEL BEARING INSPECTION

- Move wheel hub and bearing assembly in the axial direction by hand. Check there is no looseness of wheel bearing.

**Axial end play** : Refer to [FAX-25, "Wheel Bearing \(GT-R certified NISSAN dealer\)"](#).

- Rotate wheel hub and check is no unusual noise or other irregular conditions. If there is any of abnormal conditions, replace wheel hub and bearing assembly.

A  
B  
C  
FAX  
E  
F  
G  
H  
I  
J  
K  
L  
M  
N  
O  
P

## FRONT DRIVE SHAFT

< PERIODIC MAINTENANCE >

---

### FRONT DRIVE SHAFT

#### Inspection

INFOID:000000011488415

- Check drive shaft mounting point and joint for looseness and other damage.
- Check boot for cracks and other damage.

**CAUTION:**

**Replace entire drive shaft assembly when noise or vibration occurs from drive shaft.**



# FRONT WHEEL HUB AND KNUCKLE

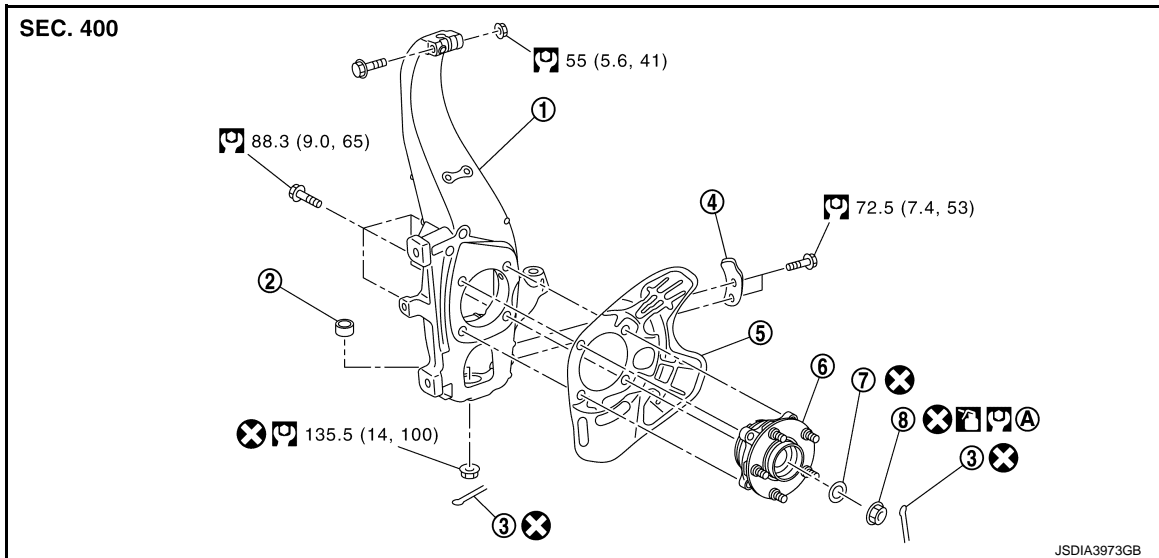
< REMOVAL AND INSTALLATION >

## REMOVAL AND INSTALLATION

### FRONT WHEEL HUB AND KNUCKLE

Exploded View

INFOID:000000011488416



- |                             |                       |                                   |
|-----------------------------|-----------------------|-----------------------------------|
| 1. Steering knuckle         | 2. Ball seat          | 3. Cotter pin                     |
| 4. Steering support bracket | 5. Splash guard       | 6. Wheel hub and bearing assembly |
| 7. Spring washer            | 8. Wheel hub lock nut |                                   |

A. Tightening must be done following the installation procedure. Refer to [FAX-9, "Removal and Installation \(GT-R certified NISSAN dealer\)"](#).

: Apply anti-corrosion.

Refer to [GI-4, "Components"](#) for the symbols in the figure.

### Removal and Installation (GT-R certified NISSAN dealer)

INFOID:000000011488417

#### REMOVAL

1. Remove tires with power tool. Refer to [WT-74, "EXCEPT NISMO : Exploded View"](#) (Except NISMO), [WT-74, "NISMO : Exploded View"](#) (NISMO).  
**NOTE:**  
Check the vehicle type. Refer to [WT-4, "How to Check Vehicle Type"](#).
2. Remove wheel sensor and sensor harness. Refer to [BRC-147, "FRONT WHEEL SENSOR : Exploded View \(GT-R certified NISSAN dealer\)"](#).
3. Remove brake hose bracket. Refer to [BR-23, "FRONT : Exploded View"](#).
4. Remove caliper assembly mounting bolts. Hang caliper assembly in a place where it will not interfere with work. Refer to [BR-39, "BRAKE CALIPER ASSEMBLY : Exploded View \(GT-R certified NISSAN dealer\)"](#).
5. Remove disc rotor. Refer to [BR-40, "BRAKE CALIPER ASSEMBLY : Removal and Installation \(GT-R certified NISSAN dealer\)"](#).
6. Remove cotter pin, and then loosen wheel hub lock nut with power tool.

# FRONT WHEEL HUB AND KNUCKLE

## < REMOVAL AND INSTALLATION >

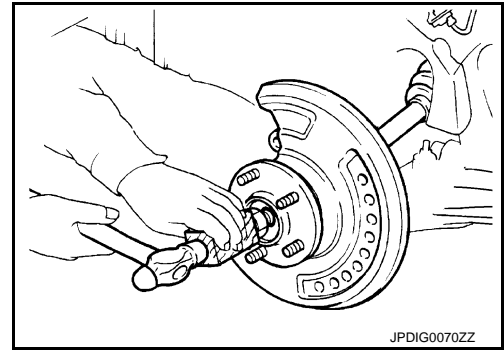
7. Patch wheel hub lock nut with a piece of wood. Hammer the wood to disengage wheel hub and bearing assembly from drive shaft.

**CAUTION:**

- Never place drive shaft joint at an extreme angle. Also be careful not to overextend slide joint.
- Never allow drive shaft to hang down without support for counterpart such as joint sub-assembly and the other parts.

**NOTE:**

Use a suitable puller, if wheel hub and bearing assembly and drive shaft cannot be separated even after performing the above procedure.



8. Remove wheel hub lock nut and spring washer.
9. Remove wheel hub and bearing assembly, and then remove splash guard.
10. Remove steering outer socket. Refer to [ST-20. "Exploded View"](#).
11. Remove cotter pin of transverse link, and then loosen mounting nut.
12. Separate steering knuckle from upper link.
13. Separate transverse link from steering knuckle so as not to damage ball joint boot using the ball joint remover, and then remove steering knuckle.

**CAUTION:**

Temporarily tighten the nut to prevent damage to threads and to prevent the ball joint remover from suddenly coming off.

14. Remove steering support bracket.

## INSTALLATION

Note the following, and install in the reverse order of the removal.

- Clean the matching surface of wheel hub lock nut and wheel hub and bearing assembly.

**CAUTION:**

Never apply lubricating oil to these matching surface.

- Clean the matching surface of drive shaft and wheel hub and bearing assembly, and then apply paste [service parts (440037S000)] to flat surface (A) of joint sub-assembly of drive shaft.

**CAUTION:**

Apply paste to cover entire flat surface of joint sub-assembly of drive shaft.

**Amount paste : 0.2 – 1.0 g (0.007 – 0.035 oz)**

- When installing the spring washer, face the identification paint mark to the wheel hub and bearing assembly side.

**CAUTION:**

Never reuse spring washer.

- Apply anti-corrosion oil to the thread of wheel hub lock nut or drive shaft.

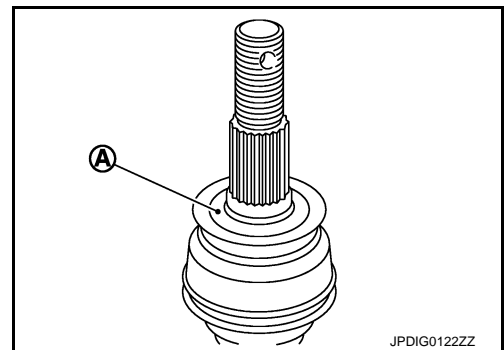
**CAUTION:**

- If anti-corrosion oil adheres to a part other than the thread, wipe the part clean of oil with waste.
- Never reuse wheel hub lock nut.

- When tightening wheel hub lock nut, tighten the lock nut to 225 N·m (23 kg·m, 166 ft·lb), loosen it, and retighten it to 350 N·m (36 kg·m, 258 ft·lb) to break in spring washer and the contact surface of wheel hub assembly.

**CAUTION:**

- When assembling the drive shaft, never press it, but pull it until fully seated by tightening the wheel hub lock nut.
- Be sure to use torque wrench to tighten the wheel hub lock nut. Never use a power tool.
- Perform the final tightening of each of parts under unladen conditions, which were removed when removing wheel hub and bearing assembly and steering knuckle.
- Never reuse cotter pin.



# FRONT WHEEL HUB AND KNUCKLE

< REMOVAL AND INSTALLATION >

Inspection (GT-R certified NISSAN dealer)

INFOID:000000011488418

## INSPECTION AFTER REMOVAL

Check components for deformation, cracks and other damage. Replace it if necessary.

### Ball Joint Inspection

Check boots of transverse link, upper link and steering outer socket ball joint for breakage, axial play, and torque. Refer to [FSU-20. "Inspection \(GT-R certified NISSAN dealer\)"](#), [FSU-23. "Inspection \(GT-R certified NISSAN dealer\)"](#) and [ST-25. "Inspection \(GT-R certified NISSAN dealer\)"](#).

## INSPECTION AFTER INSTALLATION

1. Check wheel sensor harness for proper connection. Refer to [BRC-147. "FRONT WHEEL SENSOR : Exploded View \(GT-R certified NISSAN dealer\)"](#).
2. Check the wheel alignment. Refer to [FSU-12. "Inspection"](#).
3. Adjust neutral position of steering angle sensor. Refer to [BRC-9. "ADJUSTMENT OF STEERING ANGLE SENSOR NEUTRAL POSITION : Special Repair Requirement \(GT-R certified NISSAN dealer\)"](#).

A

B

C

FAX

E

F

G

H

I

J

K

L

M

N

O

P

# FRONT DRIVE SHAFT BOOT

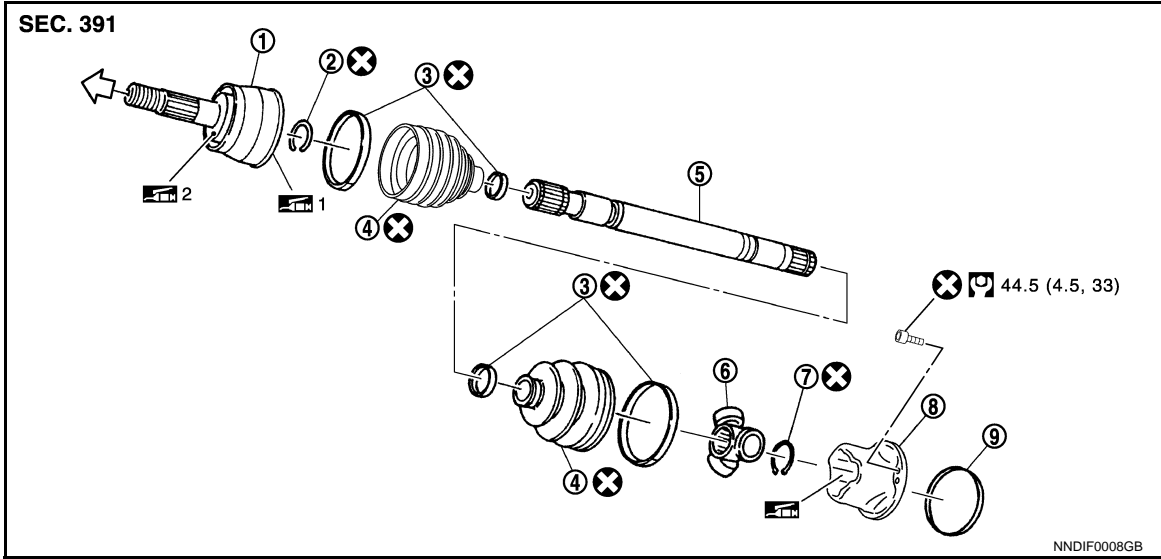
< REMOVAL AND INSTALLATION >

## FRONT DRIVE SHAFT BOOT

Exploded View (GT-R certified NISSAN dealer)

INFOID:000000011488419

LEFT SIDE



- |                       |                  |                    |
|-----------------------|------------------|--------------------|
| 1. Joint sub-assembly | 2. Circular clip | 3. Boot band       |
| 4. Boot               | 5. Shaft         | 6. Spider assembly |
| 7. Snap ring          | 8. Housing       | 9. Plug            |

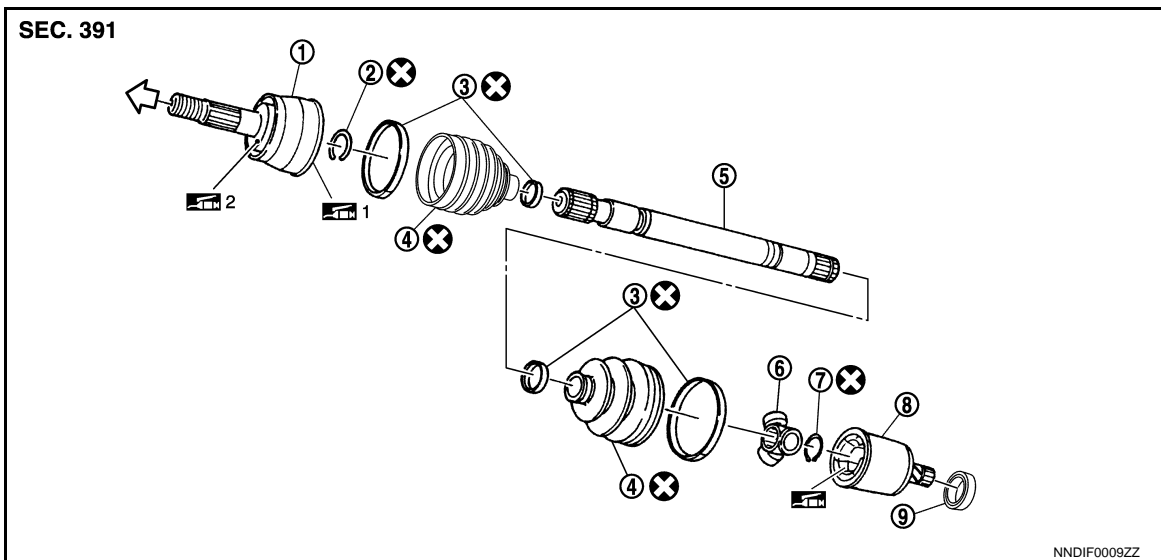
←: Wheel side

1: NISSAN genuine grease or an equivalent.

2: Apply paste [service parts (440037S000)].

Refer to [GI-4. "Components"](#) for symbols not described on the above.

RIGHT SIDE





- |                       |                  |                    |
|-----------------------|------------------|--------------------|
| 1. Joint sub-assembly | 2. Circular clip | 3. Boot band       |
| 4. Boot               | 5. Shaft         | 6. Spider assembly |
| 7. Snap ring          | 8. Housing       | 9. Dust shield     |

←: Wheel side

# FRONT DRIVE SHAFT BOOT

## < REMOVAL AND INSTALLATION >

 1: NISSAN genuine grease or an equivalent.

 2: Apply paste [service parts (440037S000)].

Refer to [GI-4, "Components"](#) for symbols not described on the above.

## WHEEL SIDE

### WHEEL SIDE : Removal and Installation (GT-R certified NISSAN dealer)

INFOID:000000011488420

#### REMOVAL

1. Remove tires with power tool. Refer to [WT-74, "EXCEPT NISMO : Exploded View"](#) (Except NISMO), [WT-74, "NISMO : Exploded View"](#) (NISMO).

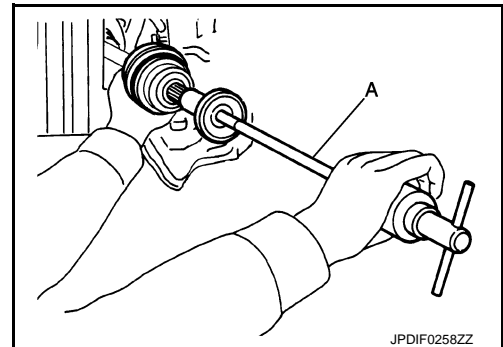
#### NOTE:

Check the vehicle type. Refer to [WT-4, "How to Check Vehicle Type"](#).

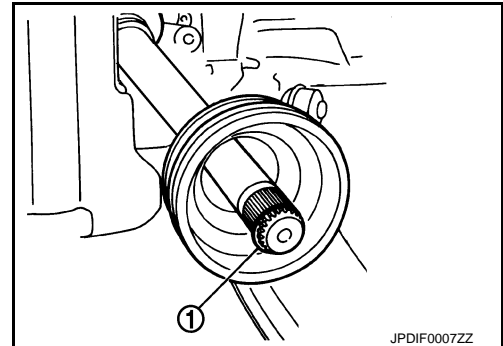
2. Remove steering knuckle. Refer to [FAX-9, "Exploded View"](#).
3. Remove boot bands, and then remove boot from joint sub-assembly.
4. Screw drive shaft puller (A) (commercial service tool) 30 mm (1.18 in) or more into the thread of joint sub-assembly, and remove joint sub-assembly from shaft.

#### CAUTION:

- Align a drive shaft puller and drive shaft and remove them by pulling firmly and uniformly.
- If joint sub-assembly cannot be pulled out, try after removing drive shaft from vehicle.



5. Remove circular clip (1) from shaft.
6. Remove boot from shaft.

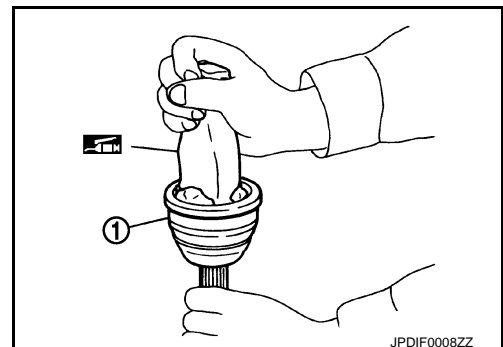


#### INSTALLATION

1. Clean the old grease on joint sub-assembly with paper waste.
2. Fill serration slot joint sub-assembly (1) with NISSAN genuine grease or equivalent until the serration slot and ball groove become full to the brim.

#### CAUTION:

After applying grease, use a paper waste to wipe it out old grease that has oozed out.



A  
B  
C  
FAX  
E  
F  
G  
H  
I  
J  
K  
L  
M  
N  
O  
P

## FRONT DRIVE SHAFT BOOT

### < REMOVAL AND INSTALLATION >

3. Install boot and boot bands to shaft.

**CAUTION:**

- Wrap serration on shaft with tape (A) to protect the boot from damage.
- Never reuse boot and boot band.

4. Remove the tape wrapped around the serration on shaft.

5. Position circular clip on groove at the shaft edge.

**CAUTION:**

Never reuse circular clip.

**NOTE:**

Drive joint inserter is recommended when installing circular clip.

6. Align both center axes of the shaft edge and joint sub-assembly. Then assemble shaft with joint sub-assembly holding circular clip.

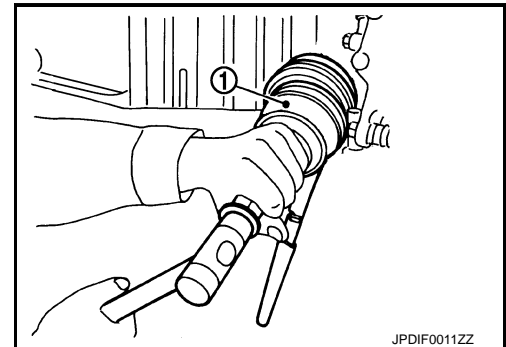
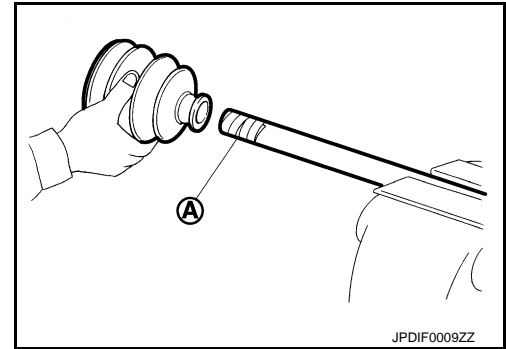
7. Install joint sub-assembly (1) to shaft using plastic hammer.

**CAUTION:**

Confirm that joint sub-assembly is correctly engaged while rotating drive shaft.

8. Apply the specified amount of grease into the boot inside from large diameter side of boot.

**Grease amount** : Refer to [FAX-25, "Drive Shaft \(GT-R certified NISSAN dealer\)"](#).



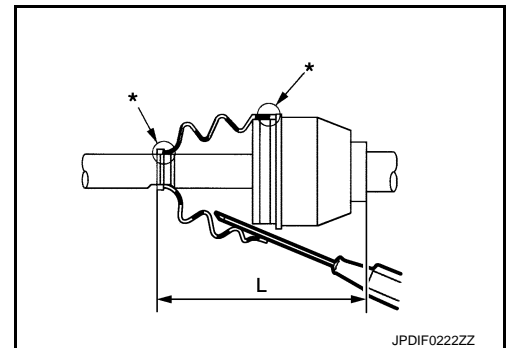
9. Install the boot into grooves (indicated by "\*" marks) shown in the figure.

**CAUTION:**

If grease adheres to the boot mounting surface (indicated by "\*" mark) on the shaft or joint sub-assembly, boot may come off. Remove all grease from the surface.

10. To prevent the deformation of the boot, adjust the boot installation length (L) to the specified value shown below by inserting the suitable tool into the inside of the boot from the large diameter side of the boot and discharging the inside air.

**L** : Refer to [FAX-25, "Drive Shaft \(GT-R certified NISSAN dealer\)"](#).



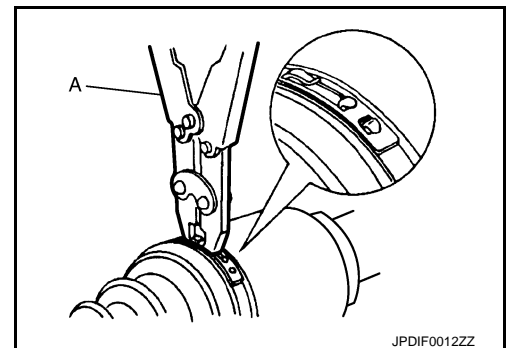
**CAUTION:**

- If the boot installation length is outside the standard, it may cause breakage of the boot.
- Be careful not to touch the inside of the boot with a tip of tool.

11. Secure the ends of the boot with boot bands using the boot band crimping tool (A) [SST: KV40107300 ( - )].

**CAUTION:**

Never reuse boot band.



**NOTE:**

# FRONT DRIVE SHAFT BOOT

## < REMOVAL AND INSTALLATION >

Secure boot band so that dimension (M) meets the specification as shown in the figure.

**M** : 2.0 – 3.0 mm (0.079 – 0.118 in)

- Secure joint sub-assembly and shaft, and then check that they are in the correct position when rotating boot. Install them with boot band when boot installation positions become incorrect.

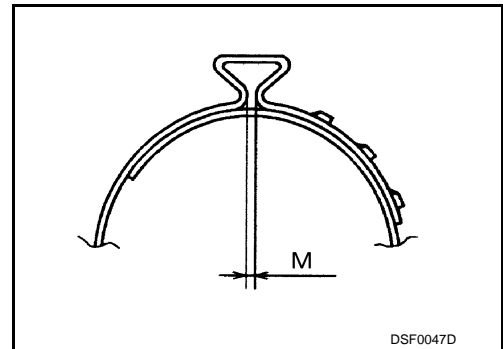
**CAUTION:**

**Never reuse boot band.**

- Install steering knuckle. Refer to [FAX-9, "Exploded View"](#).
- Install tires with power tool. Refer to [WT-74, "EXCEPT NISMO : Exploded View"](#) (Except NISMO), [WT-74, "NISMO : Exploded View"](#) (NISMO).

**NOTE:**

Check the vehicle type. Refer to [WT-4, "How to Check Vehicle Type"](#).



DSF0047D

A  
B  
C

FAX

## FINAL DRIVE SIDE

### FINAL DRIVE SIDE : Removal and Installation (GT-R certified NISSAN dealer)

INFOID:000000011488421

**NOTE:**

Remove boot after removing drive shaft.

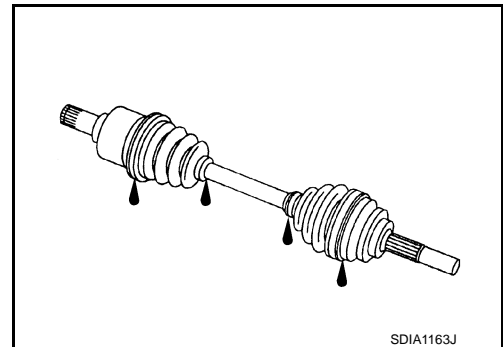
- Remove: refer to [FAX-17, "LEFT SIDE : Removal and Installation \(GT-R certified NISSAN dealer\)"](#) (left side), [FAX-17, "RIGHT SIDE : Removal and Installation \(GT-R certified NISSAN dealer\)"](#) (right side).
- Disassembly: refer to [FAX-20, "FINAL DRIVE SIDE : Disassembly and Assembly \(GT-R certified NISSAN dealer\)"](#).

### Inspection (GT-R certified NISSAN dealer)

INFOID:000000011488422

#### INSPECTION AFTER REMOVAL

- Move joint up/down, left/right, and in the axial directions. Check for motion that is not smooth and for significant looseness.
- Check boot for cracks, damage and leakage of grease.
- Disassemble drive shaft and exchange malfunctioning part if there is an abnormal condition.



SDIA1163J

E

F

G

H

I

J

K

L

M

#### INSPECTION AFTER INSTALLATION

- Check wheel sensor harness for proper connection. Refer to [BRC-147, "FRONT WHEEL SENSOR : Exploded View \(GT-R certified NISSAN dealer\)"](#).
- Check the wheel alignment. Refer to [FSU-12, "Inspection"](#).
- Adjust neutral position of steering angle sensor. Refer to [BRC-9, "ADJUSTMENT OF STEERING ANGLE SENSOR NEUTRAL POSITION : Special Repair Requirement \(GT-R certified NISSAN dealer\)"](#).

N

O

P

# FRONT DRIVE SHAFT

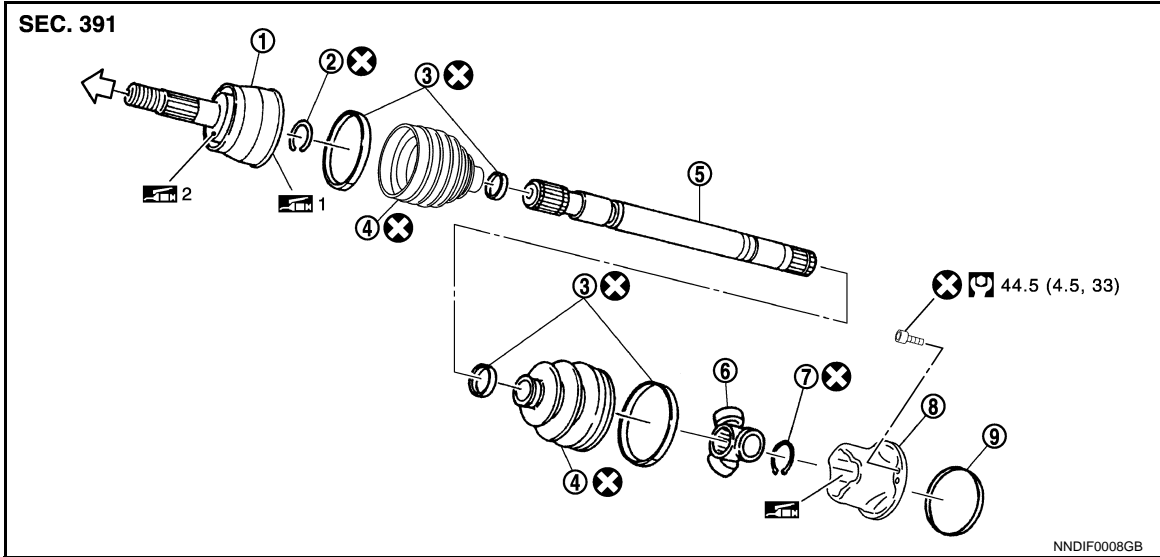
< REMOVAL AND INSTALLATION >

## FRONT DRIVE SHAFT

Exploded View (GT-R certified NISSAN dealer)

INFOID:000000011488423

LEFT SIDE



- |                       |                  |                    |
|-----------------------|------------------|--------------------|
| 1. Joint sub-assembly | 2. Circular clip | 3. Boot band       |
| 4. Boot               | 5. Shaft         | 6. Spider assembly |
| 7. Snap ring          | 8. Housing       | 9. Plug            |

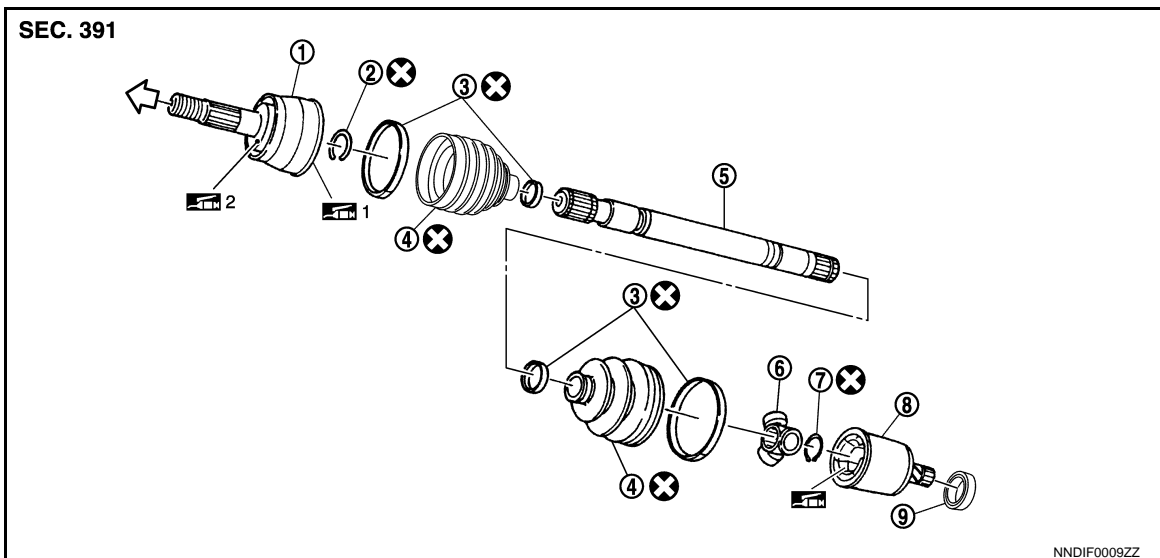
←: Wheel side

1: NISSAN genuine grease or an equivalent.

2: Apply paste [service parts (440037S000)].

Refer to [GI-4. "Components"](#) for symbols not described on the above.

RIGHT SIDE




- |                       |                  |                    |
|-----------------------|------------------|--------------------|
| 1. Joint sub-assembly | 2. Circular clip | 3. Boot band       |
| 4. Boot               | 5. Shaft         | 6. Spider assembly |
| 7. Snap ring          | 8. Housing       | 9. Dust shield     |

←: Wheel side



# FRONT DRIVE SHAFT

## < REMOVAL AND INSTALLATION >

 1: NISSAN genuine grease or an equivalent.

 2: Apply paste [service parts (440037S000)].

Refer to [GI-4, "Components"](#) for symbols not described on the above.

## LEFT SIDE

### LEFT SIDE : Removal and Installation (GT-R certified NISSAN dealer)

INFOID:000000011488424

#### REMOVAL

1. Remove tires with power tool. Refer to [WT-74, "EXCEPT NISMO : Exploded View"](#) (Except NISMO), [WT-74, "NISMO : Exploded View"](#) (NISMO).

**NOTE:**

Check the vehicle type. Refer to [WT-4, "How to Check Vehicle Type"](#).

2. Remove under cover. Refer to [EXT-40, "FRONT UNDER COVER : Exploded View"](#).
3. Remove steering knuckle. Refer to [FAX-9, "Exploded View"](#).
4. Remove stabilizer connecting rod. Refer to [FSU-25, "TYPE 1 : Exploded View"](#) (Type 1), [FSU-26, "TYPE 2 : Exploded View"](#) (Type 2).

**NOTE:**

Check the vehicle type. Refer to [FSU-3, "How to Check Vehicle Type"](#).

5. Remove shock absorber. Refer to [FSU-15, "Exploded View"](#).
6. Remove mounting bolts, and then remove drive shaft from vehicle.

#### INSTALLATION

Note the following, and install in the reverse order of the removal.

- Clean the matching surface of wheel hub lock nut and wheel hub and bearing assembly.

**CAUTION:**

**Never apply lubricating oil to these matching surface.**

- Clean the matching surface of drive shaft and wheel hub and bearing assembly, and then apply paste [service parts (440037S000)] to flat surface (A) of joint sub-assembly of drive shaft.

**CAUTION:**

**Apply paste to cover entire flat surface of joint sub-assembly of drive shaft.**

**Amount paste : 0.2 – 1.0 g (0.007 – 0.035 oz)**

- When installing the spring washer, face the identification paint mark to the wheel hub and bearing assembly side.

**CAUTION:**

**Never reuse spring washer.**

- Apply anti-corrosion oil to the thread of wheel hub lock nut or drive shaft.

**CAUTION:**

**If anti-corrosion oil adheres to a part other than the thread, wipe the part clean of oil with waste.**

**Never reuse wheel hub lock nut.**

- When tightening wheel hub lock nut, tighten the lock nut to 225 N·m (23 kg·m, 166 ft·lb), loosen it, and retighten it to 350 N·m (36 kg·m, 258 ft·lb) to break in spring washer and the contact surface of wheel hub assembly.

**CAUTION:**

- **When assembling the drive shaft, never press it, but pull it until fully seated by tightening the wheel hub lock nut.**
- **Be sure to use torque wrench to tighten the wheel hub lock nut. Never use a power tool.**
- Perform the final tightening of each of parts under unladen conditions, which were removed when removing wheel hub and bearing assembly and steering knuckle.
- Never reuse cotter pin.

## RIGHT SIDE

### RIGHT SIDE : Removal and Installation (GT-R certified NISSAN dealer)

INFOID:000000011488425

#### REMOVAL

A

B

C

FAX

E

F

G

H

I

J

K

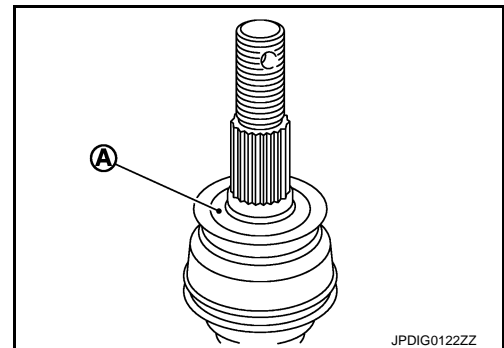
L

M

N

O

P



# FRONT DRIVE SHAFT

## < REMOVAL AND INSTALLATION >

1. Remove tires with power tool. Refer to [WT-74, "EXCEPT NISMO : Exploded View"](#) (Except NISMO), [WT-74, "NISMO : Exploded View"](#) (NISMO).

### NOTE:

Check the vehicle type. Refer to [WT-4, "How to Check Vehicle Type"](#).

2. Remove under cover. Refer to [EXT-40, "FRONT UNDER COVER : Exploded View"](#).
3. Remove steering knuckle. Refer to [FAX-9, "Exploded View"](#).
4. Remove stabilizer connecting rod. Refer to [FSU-25, "TYPE 1 : Exploded View"](#) (Type 1), [FSU-26, "TYPE 2 : Exploded View"](#) (Type 2).

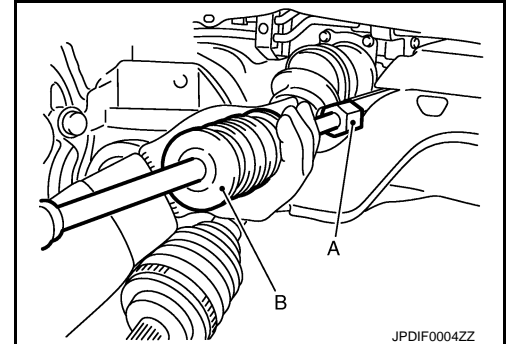
### NOTE:

Check the vehicle type. Refer to [FSU-3, "How to Check Vehicle Type"](#).

5. Remove shock absorber. Refer to [FSU-15, "Exploded View"](#).
6. Remove drive shaft from front final drive using the drive shaft attachment (A) [SST:KV40107500 ( - )] and a sliding hammer (B) (commercial service tool) while inserting tip of the drive shaft attachment between housing and front final drive.

### CAUTION:

Never place drive shaft joint at an extreme angle when removing drive shaft. Also be careful not to overextend slide joint.



## INSTALLATION

Note the following, and install in the reverse order of removal.

- Place the protector (A) [SST:KV38107900 ( - )] onto final drive to prevent damage to the oil seal while inserting drive shaft. Slide drive shaft sliding joint and tap with a hammer to install.

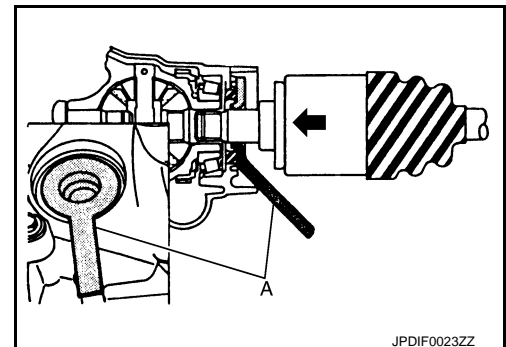
### CAUTION:

Always replace final drive oil seal with new one when installing drive shaft. Refer to [DLN-74, "RIGHT SIDE : Exploded View \(GT-R certified NISSAN dealer\)"](#).

- Clean the matching surface of wheel hub lock nut and wheel hub and bearing assembly.

### CAUTION:

Never apply lubricating oil to these matching surface.



- Clean the matching surface of drive shaft and wheel hub and bearing assembly, and then apply paste [service parts (440037S000)] to flat surface (A) of joint sub-assembly of drive shaft.

### CAUTION:

Apply paste to cover entire flat surface of joint sub-assembly of drive shaft.

**Amount paste : 0.2 – 1.0 g (0.007 – 0.035 oz)**

- When installing the spring washer, face the identification paint mark to the wheel hub and bearing assembly side.

### CAUTION:

Never reuse spring washer.

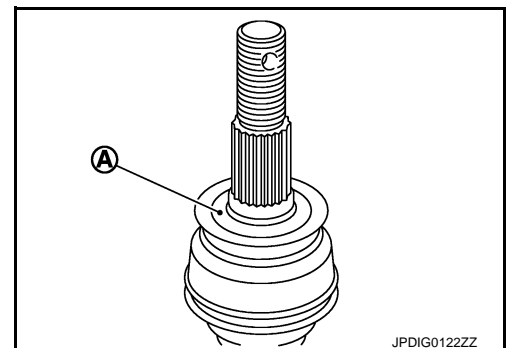
- Apply anti-corrosion oil to the thread of wheel hub lock nut or drive shaft.

### CAUTION:

- If anti-corrosion oil adheres to a part other than the thread, wipe the part clean of oil with waste.
- Never reuse wheel hub lock nut.

- When tightening wheel hub lock nut, tighten the lock nut to 225 N·m (23 kg·m, 166 ft·lb), loosen it, and retighten it to 350 N·m (36 kg·m, 258 ft·lb) to break in spring washer and the contact surface of wheel hub assembly.

### CAUTION:



# FRONT DRIVE SHAFT

## < REMOVAL AND INSTALLATION >

- When assembling the drive shaft, never press it, but pull it until fully seated by tightening the wheel hub lock nut.
- Be sure to use torque wrench to tighten the wheel hub lock nut. Never use a power tool.
- Perform the final tightening of each of parts under unladen conditions, which were removed when removing wheel hub and bearing assembly and steering knuckle.
- Never reuse cotter pin.

## WHEEL SIDE

### WHEEL SIDE : Disassembly and Assembly (GT-R certified NISSAN dealer)

INFOID:000000011488426

#### DISASSEMBLY

1. Fix shaft with a vise.

**CAUTION:**

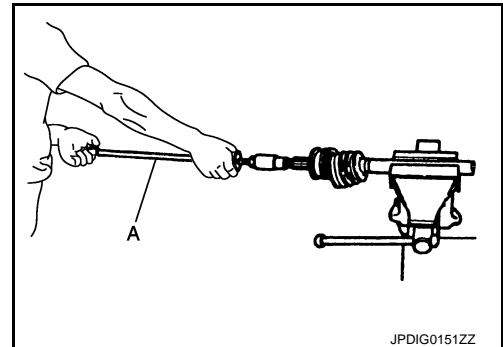
Protect shaft when fixing with a vise using aluminum or copper plates.

2. Remove boot bands, and then remove boot from joint sub-assembly.
3. Screw drive shaft puller (A) (commercial service tool) 30 mm (1.18 in) or more into the thread of joint sub-assembly, and remove joint sub-assembly from shaft.

**CAUTION:**

- Align drive shaft puller and drive shaft and remove them by pulling firmly and uniformly.
- If joint sub-assembly cannot be removed after five or more unsuccessful attempts, replace shaft and joint sub-assembly as a set.

4. Remove circular clip from shaft.
5. Remove boot from shaft.

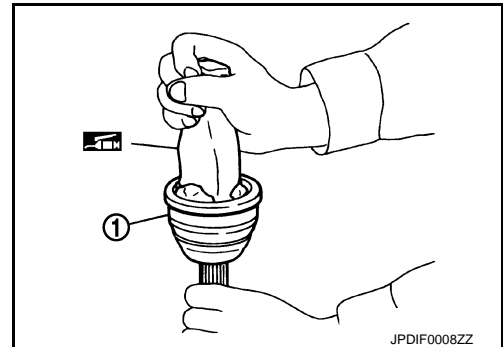


#### ASSEMBLY

1. Clean the old grease on joint sub-assembly with paper waste.
2. Fill serration slot joint sub-assembly (1) with NISSAN genuine grease or equivalent until the serration slot and ball groove become full to the brim.

**CAUTION:**

After applying grease, use a paper waste to wipe out old grease that has oozed out.



3. Install boot and boot bands to shaft.

**CAUTION:**

- Wrap serration on shaft with tape (A) to protect the boot from damage.
- Never reuse boot and boot band.

4. Remove the tape wrapped around the serration on shaft.
5. Position circular clip on groove at the shaft edge.

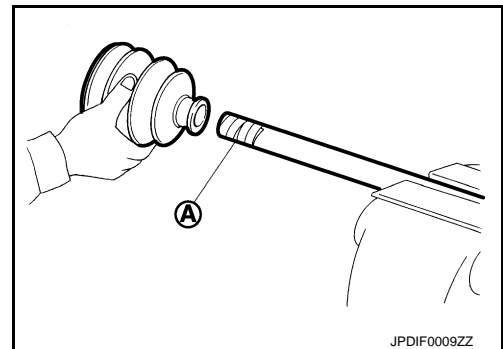
**CAUTION:**

Never reuse circular clip.

**NOTE:**

Drive joint inserter is recommended when installing circular clip.

6. Align both center axles of the shaft edge and joint sub-assembly. Then assemble shaft with joint sub-assembly holding circular clip.



# FRONT DRIVE SHAFT

## < REMOVAL AND INSTALLATION >

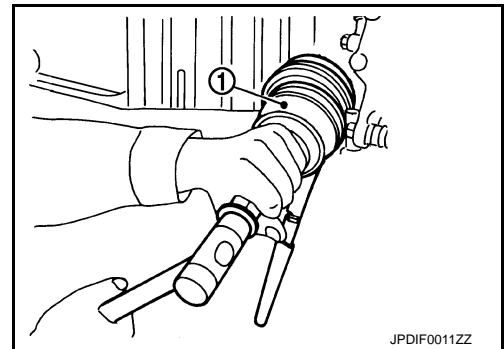
7. Install joint sub-assembly (1) to shaft using plastic hammer.

**CAUTION:**

**Confirm that joint sub-assembly is correctly engaged while rotating drive shaft.**

8. Apply the specified amount of grease into the boot inside from large diameter side of boot.

**Grease amount** : Refer to [FAX-25, "Drive Shaft \(GT-R certified NISSAN dealer\)"](#).



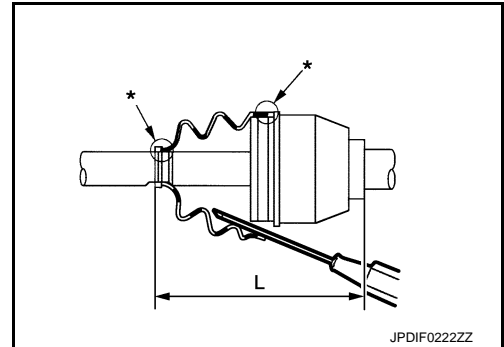
9. Install the boot securely into grooves (indicated by "\*" marks) shown in the figure.

**CAUTION:**

**If grease adheres to the boot mounting surface (indicated by "\*" mark) on the shaft or joint sub-assembly, boot may come off. Remove all grease from the surface.**

10. To prevent the deformation of the boot, adjust the boot installation length (L) to the specified value shown below by inserting the suitable tool into inside of the boot from the large diameter side of the boot and discharging the inside air.

**L** : Refer to [FAX-25, "Drive Shaft \(GT-R certified NISSAN dealer\)"](#).



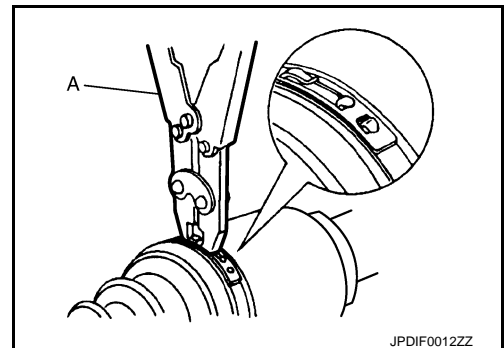
**CAUTION:**

- If the boot installation length is outside the standard, it may cause breakage of the boot.
- Be careful not to touch the inside of the boot with a tip of tool.

11. Secure the ends of the boot with boot bands using the boot band crimping tool (A) [SST: KV40107300 ( - )].

**CAUTION:**

**Never reuse boot band.**



**NOTE:**

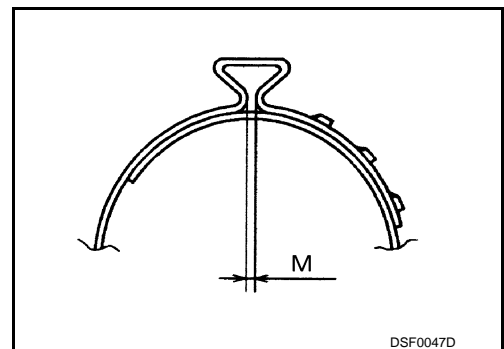
Secure boot band so that dimension (M) meets the specification as shown in the figure.

**M** : 2.0 – 3.0 mm (0.079 – 0.118 in)

12. Secure joint sub-assembly and shaft, and then check that they are in the correct position when rotating boot. Install them with boot band when boot installation positions become incorrect.

**CAUTION:**

**Never reuse boot band.**



## FINAL DRIVE SIDE

FINAL DRIVE SIDE : Disassembly and Assembly (GT-R certified NISSAN dealer)

INFOID:000000011488427

## DISASSEMBLY

# FRONT DRIVE SHAFT

## < REMOVAL AND INSTALLATION >

1. Fix shaft with a vise.

**CAUTION:**

**Protect shaft when fixing with a vise using aluminum or copper plates.**

2. Remove boot bands, and then remove boot from housing.
3. If plug needs to be removed, remove with a screw. (Left side)
4. Remove dust shield. (Right side)
5. Put matching marks on housing and shaft, and then pull out housing from shaft.

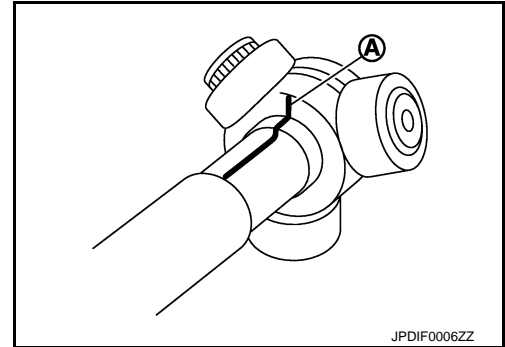
**CAUTION:**

**Use paint or similar substance for matching marks. Never scratch the surfaces.**

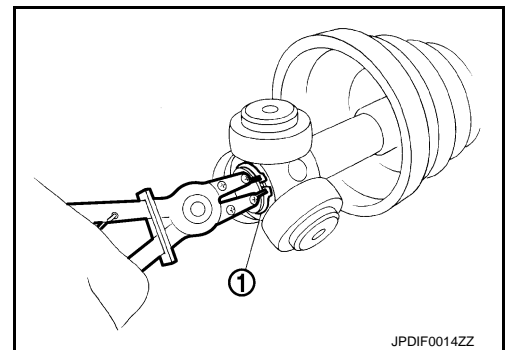
6. Put matching marks (A) on the spider assembly and shaft.

**CAUTION:**

**Use paint or similar substance for matching marks. Never scratch the surfaces.**



7. Remove snap ring (1), and then remove spider assembly from the shaft.
8. Remove boot from the shaft.

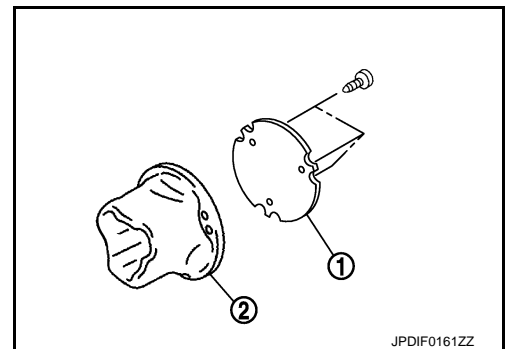


## ASSEMBLY

1. Clean old grease on housing with paper waste.
2. Plug (1) has been removed, install a plug to housing (2) with a screw. (Left side)
3. Install dust shield to housing. (Right side)

**CAUTION:**

**Never reuse dust shield.**

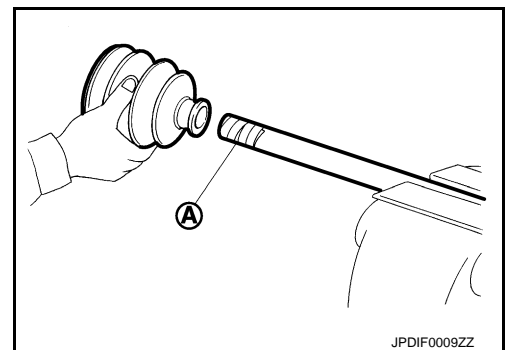


4. Install boot and boot bands to shaft.

**CAUTION:**

- Wrap serration on shaft with tape (A) to protect boot from damage.
- Never reuse boot and boot band.

5. Remove the tape wrapped around the serration on shaft.



A

B

C

FAX

E

F

G

H

I

J

K

L

M

N

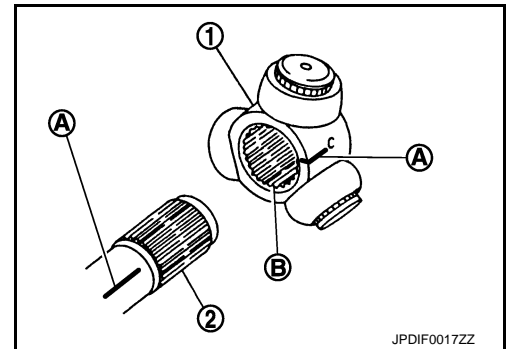
O

P

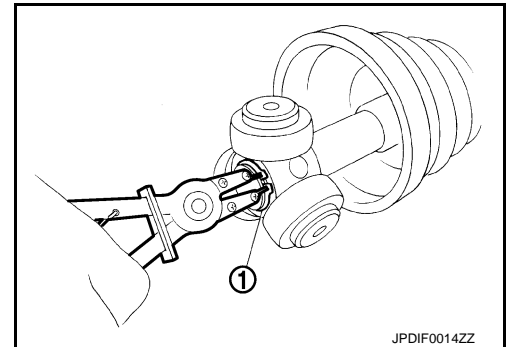
## FRONT DRIVE SHAFT

### < REMOVAL AND INSTALLATION >

6. Install the spider assembly (1), align it with the matching marks (A) on the shaft (2) during the removal, and direct the serration mounting surface (B) to the shaft.



7. Assemble spider assembly onto shaft with snap ring (1).  
**CAUTION:**  
**Never reuse snap ring.**
8. Apply the appropriate amount of grease to spider assembly and sliding surface.
9. Assemble the housing onto spider assembly, and apply the specified amount grease.

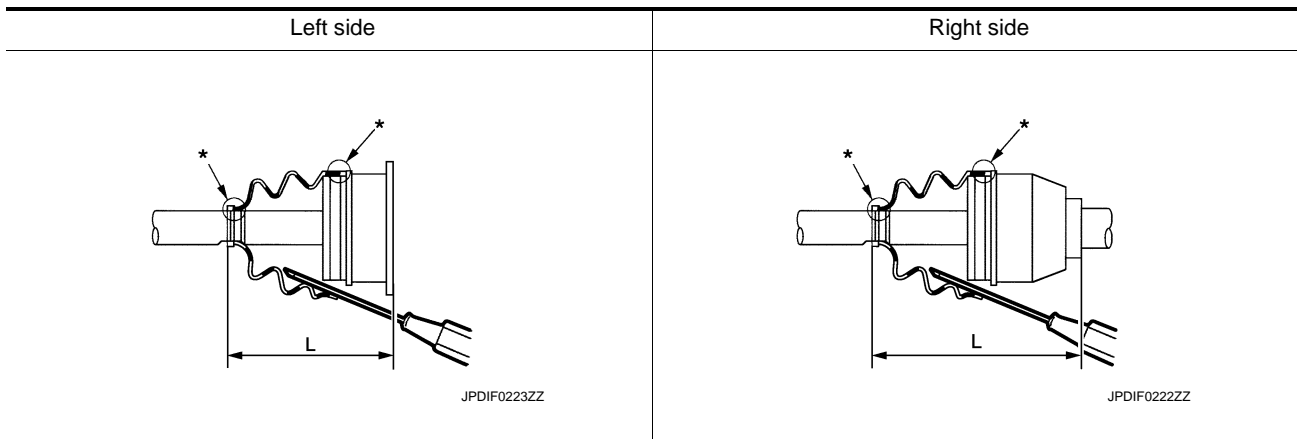


**Grease amount** : Refer to [FAX-25, "Drive Shaft \(GT-R certified NISSAN dealer\)"](#).

10. Align matching marks painted when housing was removed.
11. Install the boot into grooves (indicated by "\*" marks) shown in the figure.

**CAUTION:**

**If grease adheres to the boot mounting surface (indicated by "\*" mark) on shaft or housing, boot may come off. Remove all grease from the surface.**



12. To prevent the deformation of the boot, adjust the boot installation length (L) to the value shown below by inserting the suitable tool into the inside of boot from the large diameter side of boot and discharging inside air.

**L** : Refer to [FAX-25, "Drive Shaft \(GT-R certified NISSAN dealer\)"](#).

**CAUTION:**

- If the boot installation length is outside the standard, it may cause breakage of the boot.
- Be careful not to touch the inside of the boot with the tip of tool.

13. Install boot bands.

**CAUTION:**

**Never reuse boot band.**

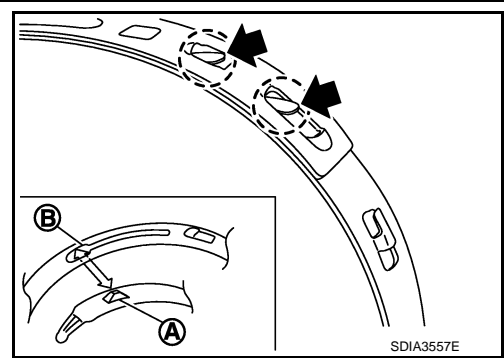
# FRONT DRIVE SHAFT

## < REMOVAL AND INSTALLATION >

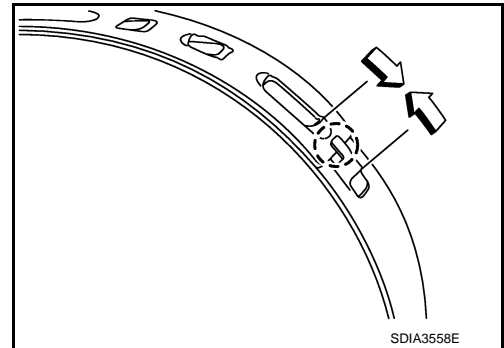
- a. Put boot band in the groove on drive shaft boot. Then fit pawls (←) into holes to temporary installation.

**NOTE:**

For the large diameter side, fit projection (A) and guide slit (B) at first.



- b. Pinch projection on the band with suitable pliers to tighten band.  
c. Insert tip of band below end of the pawl.  
14. Secure housing and shaft, and then check that they are in the correct position when rotating boot. Install them with boot band when the mounting positions become incorrect.

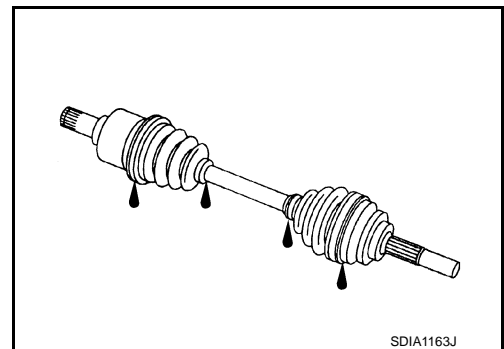


## Inspection (GT-R certified NISSAN dealer)

INFOID:0000000011488428

### INSPECTION AFTER REMOVAL

- Move joint up/down, left/right, and in the axial directions. Check for motion that is not smooth and for significant looseness.
- Check boot for cracks, damage, and leakage of grease.
- Disassemble drive shaft and exchange malfunctioning part if there is abnormal condition.



### INSPECTION AFTER INSTALLATION

1. Check shock absorber actuator harness connector. Refer to [FSU-15, "Removal and Installation \(GT-R certified NISSAN dealer\)"](#).
2. Check wheel sensor harness for proper connection. Refer to [BRC-147, "FRONT WHEEL SENSOR : Exploded View \(GT-R certified NISSAN dealer\)"](#).
3. Check the wheel alignment. Refer to [FSU-12, "Inspection"](#).
4. Adjust neutral position of steering angle sensor. Refer to [BRC-9, "ADJUSTMENT OF STEERING ANGLE SENSOR NEUTRAL POSITION : Special Repair Requirement \(GT-R certified NISSAN dealer\)"](#).

### INSPECTION AFTER DISASSEMBLY

#### Shaft

Check shaft for runout, cracks and other damage. Replace it if necessary.

#### Joint Sub-Assembly (Wheel Side)

Check the following items, replace the parts if necessary.

- Joint sub-assembly for rough rotation or excessive axial looseness.
- The inside of the joint sub-assembly for entry of foreign material.
- Joint sub-assembly for compression scars, cracks or fractures inside of joint sub-assembly.

A  
B  
C  
FAX  
E  
F  
G  
H  
I  
J  
K  
L  
M  
N  
O  
P

## FRONT DRIVE SHAFT

### < REMOVAL AND INSTALLATION >

---

Replace joint sub-assembly if there are any abnormal conditions of components.

Housing and Spider assembly (Final Drive side)

Replace housing and spider assembly if there is scratching or wear of housing roller contact surface or spider roller contact surface.

**NOTE:**

Housing and spider assembly are used in a set.



## SERVICE DATA AND SPECIFICATIONS (SDS)

< SERVICE DATA AND SPECIFICATIONS (SDS)

## SERVICE DATA AND SPECIFICATIONS (SDS)

### SERVICE DATA AND SPECIFICATIONS (SDS)

Wheel Bearing (GT-R certified NISSAN dealer)

INFOID:0000000011488429

Item	Standard
Axial end play	0.05 mm (0.002 in) or less

Drive Shaft (GT-R certified NISSAN dealer)

INFOID:0000000011488430

Item	Left side		Right side	
	Wheel side	Final drive side	Wheel side	Final drive side
Grease quantity	Wheel side	77 – 97 g (2.72 – 3.42 oz)		
	Final drive side	95 – 105 g (3.36 – 3.70 oz)		113 – 123 g (3.99 – 4.33 oz)
Boots installed length	Wheel side	136 mm (5.35 in)		135.5 mm (5.33 in)
	Final drive side	151.9 mm (5.98 in)		158.6 mm (6.24 in)

A

B

C

FAX

E

F

G

H

I

J

K

L

M

N

O

P