

# SECTION **HA**

## HEATER & AIR CONDITIONING SYSTEM

A  
B  
C  
D  
E  
F  
G  
H  
HA  
J  
K  
L  
M  
N  
O  
P

### CONTENTS

<b>BASIC INSPECTION</b> .....	3	<b>LEAK DETECTION DYE</b> .....	22
<b>DIAGNOSIS AND REPAIR WORKFLOW</b> .....	3	General Precautions .....	22
Work Flow .....	3	<b>PREPARATION</b> .....	23
<b>SYSTEM DESCRIPTION</b> .....	5	<b>PREPARATION</b> .....	23
<b>REFRIGERATION SYSTEM</b> .....	5	Special Service Tool (GT-R certified NISSAN dealer) .....	23
System Diagram .....	5	Commercial Service Tool .....	26
System Description .....	5	Sealant or/and Lubricant .....	26
Component Parts Location .....	6	<b>PERIODIC MAINTENANCE</b> .....	27
Component Description .....	7	<b>REFRIGERANT</b> .....	27
<b>SYMPTOM DIAGNOSIS</b> .....	8	Collection and Charge .....	27
<b>REFRIGERATION SYSTEM SYMPTOMS</b> .....	8	<b>LUBRICANT</b> .....	31
Trouble Diagnosis For Unusual Pressure .....	8	Description (GT-R certified NISSAN dealer) .....	31
Symptom Table .....	8	Adjustment (GT-R certified NISSAN dealer) .....	31
<b>COMPRESSOR SYSTEM SYMPTOMS</b> .....	11	Lubricant Adjusting Procedure for Components Replacement Except Compressor (GT-R certified NISSAN dealer) .....	31
Symptom Table .....	11	Lubricant Adjusting Procedure for Compressor Replacement (GT-R certified NISSAN dealer) .....	32
<b>PRECAUTION</b> .....	12	<b>REFRIGERATION SYSTEM</b> .....	34
<b>PRECAUTIONS</b> .....	12	Inspection .....	34
Precaution for Supplemental Restraint System (SRS) "AIR BAG" and "SEAT BELT PRE-TEN- SIONER" .....	12	Performance Chart .....	34
Precautions Necessary for Steering Wheel Rota- tion After Battery Disconnection .....	12	Refrigerant Leakages .....	35
Precaution for Battery Service .....	13	<b>FLUORESCENT LEAK DETECTOR</b> .....	36
Precaution for Procedure without Cowl Top Cover... ..	13	Inspection .....	36
Precautions for Removing Battery Terminal .....	13	<b>ELECTRICAL LEAK DETECTOR</b> .....	37
General Precautions .....	13	Inspection .....	37
Working with HFC-134a (R-134a) .....	13	<b>REMOVAL AND INSTALLATION</b> .....	40
General Refrigerant Precaution .....	14	<b>COMPRESSOR</b> .....	40
Refrigerant Connection .....	14	Exploded View (GT-R certified NISSAN dealer) .....	40
Service Equipment .....	18	Removal and Installation (GT-R certified NISSAN dealer) .....	40
<b>COMPRESSOR</b> .....	21	Inspection (GT-R certified NISSAN dealer) .....	41
General Precautions .....	21		

<b>COOLER PIPE AND HOSE</b> .....	42	<b>REFRIGERANT PRESSURE SENSOR</b> .....	48
Exploded View (GT-R certified NISSAN dealer) ....	42	REFRIGERANT PRESSURE SENSOR : Removal and Installation (GT-R certified NISSAN dealer)...	48
<b>HIGH-PRESSURE FLEXIBLE HOSE</b> .....	42	<b>HEATER &amp; COOLING UNIT ASSEMBLY</b> .....	49
HIGH-PRESSURE FLEXIBLE HOSE : Removal and Installation (GT-R certified NISSAN dealer) ...	42	Exploded View (GT-R certified NISSAN dealer) ....	49
<b>LOW-PRESSURE FLEXIBLE HOSE</b> .....	43	<b>HEATER &amp; COOLING UNIT ASSEMBLY</b> .....	51
LOW-PRESSURE FLEXIBLE HOSE : Removal and Installation (GT-R certified NISSAN dealer) ...	43	HEATER & COOLING UNIT ASSEMBLY : Removal and Installation (GT-R certified NISSAN dealer) .....	51
<b>HIGH-PRESSURE PIPE 1</b> .....	43	HEATER & COOLING UNIT ASSEMBLY : Inspection (GT-R certified NISSAN dealer) .....	53
HIGH-PRESSURE PIPE 1 : Removal and Installation (GT-R certified NISSAN dealer) .....	43	<b>HEATER CORE</b> .....	54
<b>HIGH-PRESSURE PIPE 2</b> .....	44	HEATER CORE : Removal and Installation (GT-R certified NISSAN dealer) .....	54
HIGH-PRESSURE PIPE 2 : Removal and Installation (GT-R certified NISSAN dealer) .....	44	<b>EVAPORATOR</b> .....	55
<b>LOW-PRESSURE PIPE 2</b> .....	45	EVAPORATOR : Removal and Installation (GT-R certified NISSAN dealer) .....	55
LOW-PRESSURE PIPE 2 : Removal and Installation (GT-R certified NISSAN dealer) .....	45	<b>EXPANSION VALVE</b> .....	56
<b>LOW-PRESSURE PIPE 1 AND HIGH-PRESSURE PIPE 3</b> .....	45	EXPANSION VALVE : Removal and Installation (GT-R certified NISSAN dealer) .....	56
LOW-PRESSURE PIPE 1 AND HIGH-PRESSURE PIPE 3 : Removal and Installation (GT-R certified NISSAN dealer) .....	45	<b>SERVICE DATA AND SPECIFICATIONS (SDS)</b> .....	57
<b>CONDENSER</b> .....	47	<b>SERVICE DATA AND SPECIFICATIONS (SDS)</b> .....	57
Exploded View (GT-R certified NISSAN dealer) ....	47	Compressor (GT-R certified NISSAN dealer) .....	57
<b>CONDENSER</b> .....	47	Lubricant (GT-R certified NISSAN dealer) .....	57
CONDENSER : Removal and Installation (GT-R certified NISSAN dealer) .....	47	Refrigerant (GT-R certified NISSAN dealer) .....	57
<b>LIQUID TANK</b> .....	47	Engine Idling Speed (GT-R certified NISSAN dealer) .....	57
LIQUID TANK : Removal and Installation (GT-R certified NISSAN dealer) .....	47	Belt Tension (GT-R certified NISSAN dealer) .....	57

# DIAGNOSIS AND REPAIR WORKFLOW

< BASIC INSPECTION >

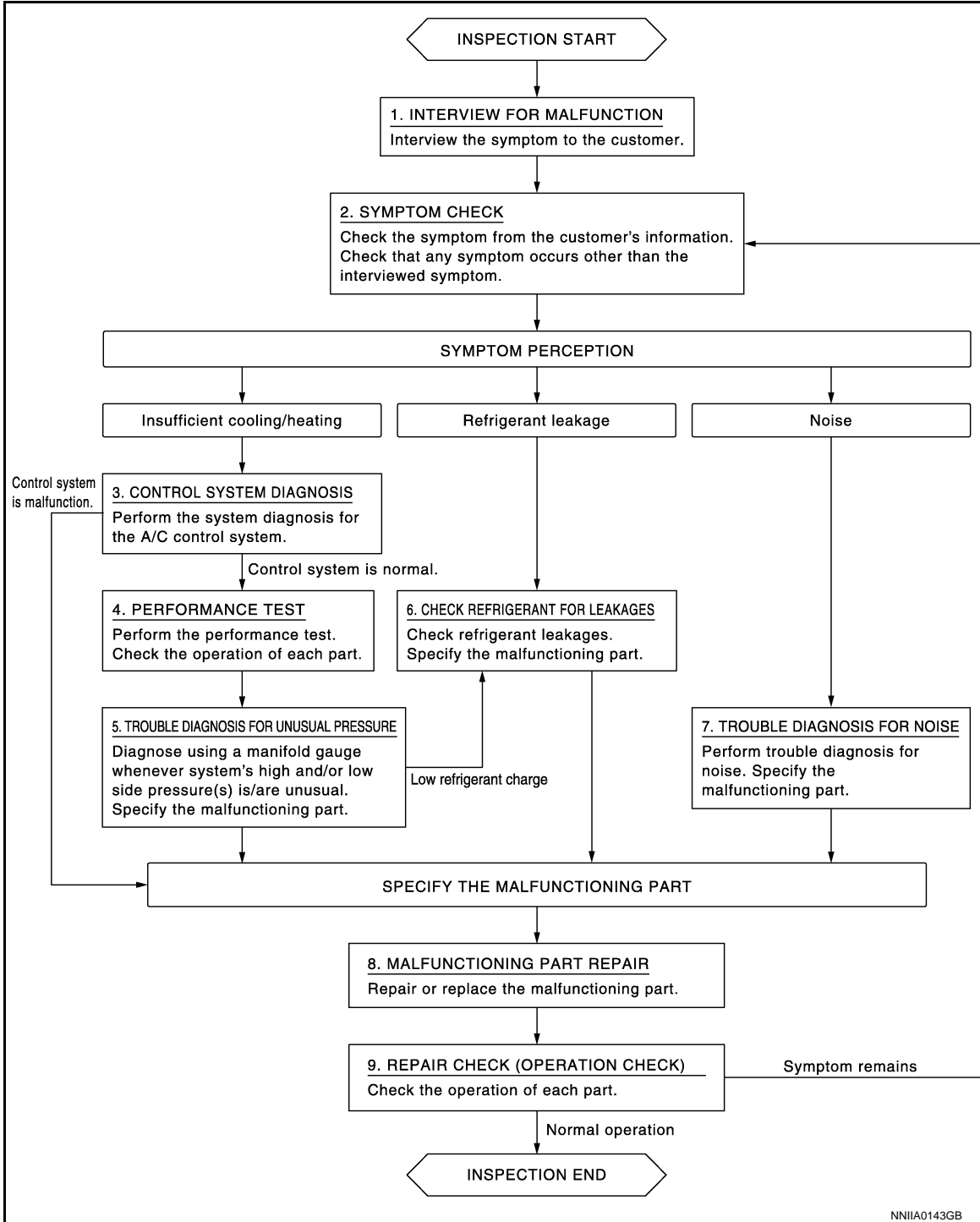
## BASIC INSPECTION

### DIAGNOSIS AND REPAIR WORKFLOW

Work Flow

INFOID:000000011485830

#### OVERALL SEQUENCE



#### DETAILED FLOW

##### 1. INTERVIEW FOR MALFUNCTION

Interview the symptom to the customer.

# DIAGNOSIS AND REPAIR WORKFLOW

< BASIC INSPECTION >

---

>> GO TO 2.

## 2. SYMPTOM CHECK

---

Check the symptom from the customer's information. Check that any symptom occurs other than the interviewed symptom.

Insufficient cooling/heating>>GO TO 3.

Refrigerant leakage>>GO TO 6.

Noise >> GO TO 7.

## 3. CONTROL SYSTEM DIAGNOSIS

---

Perform the system diagnosis for the A/C control system. Refer to [HAC-7, "Description & Inspection"](#).

Is A/C control system normal?

YES >> GO TO 4.

NO >> GO TO 8.

## 4. PERFORMANCE TEST

---

Perform the performance test. Check the operation of each part. Refer to [HA-34, "Inspection"](#).

>> GO TO 5.

## 5. TROUBLE DIAGNOSIS FOR UNUSUAL PRESSURE

---

Diagnose using a manifold gauge whenever system's high and/or low side pressure(s) is/are unusual. Specify the malfunctioning part. Refer to [HA-8, "Symptom Table"](#).

Low refrigerant charge>>GO TO 6.

Except above>>GO TO 8.

## 6. CHECK REFRIGERANT FOR LEAKAGES

---

Check refrigerant for leakages. Specify the malfunctioning part. Refer to [HA-37, "Inspection"](#).

>> GO TO 8.

## 7. TROUBLE DIAGNOSIS FOR NOISE

---

Perform trouble diagnosis for noise. Specify the malfunctioning part. Refer to [HAC-90, "Description"](#).

>> GO TO 8.

## 8. MALFUNCTION PART REPAIR

---

Repair or replace the malfunctioning part.

>> GO TO 9.

## 9. REPAIR CHECK (OPERATION CHECK)

---

Check the operation of each part.

Does it operate normally?

YES >> INSPECTION END

NO >> GO TO 2.

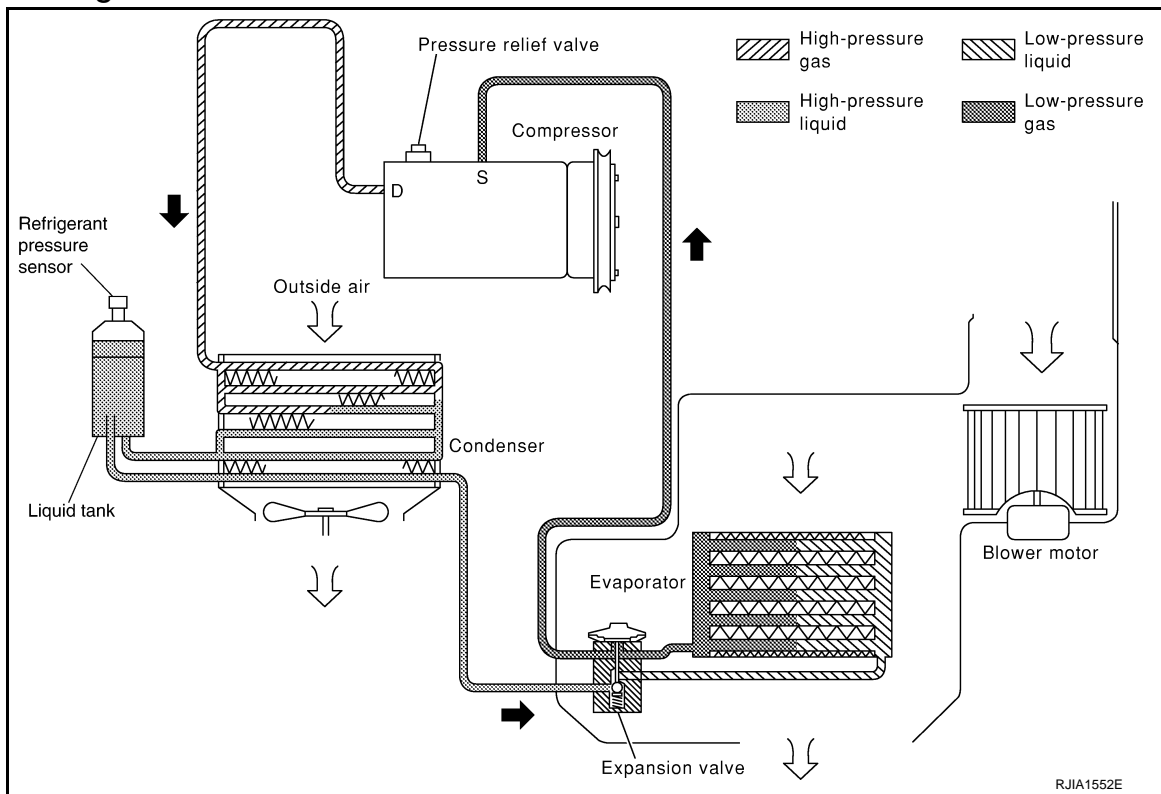
# REFRIGERATION SYSTEM

< SYSTEM DESCRIPTION >

## SYSTEM DESCRIPTION

### REFRIGERATION SYSTEM

#### System Diagram



#### System Description

INFOID:000000011485832

#### REFRIGERANT CYCLE

##### Refrigerant Flow

The refrigerant flows from the compressor, through the condenser with liquid tank, through the evaporator, and back to the compressor. The refrigerant evaporation in the evaporator is controlled by an externally equalized expansion valve, located inside the evaporator case.

##### Freeze Protection

To prevent evaporator from freezing up, the evaporator air temperature is monitored, and the voltage signal to the A/C auto amp. makes the A/C relay go OFF and stop the compressor.

#### REFRIGERANT SYSTEM PROTECTION

##### Refrigerant Pressure Sensor

The refrigerant system is protected against excessively high- or low-pressures by the refrigerant pressure sensor, located on the liquid tank. The refrigerant pressure sensor detects the pressure inside the refrigerant line and sends the voltage signal to the ECM if the system pressure rises above, or falls below the specifications.

The high-pressure side detected by refrigerant pressure sensor is approximately 3,120 kPa (31.8 kg/cm<sup>2</sup>, 452 psi) or more when the engine speed is 1,500 rpm or more. It is approximately 2,740 kPa (27.9 kg/cm<sup>2</sup>, 397 psi) when the engine speed is less than 1,500 rpm. When it is approximately 120 kPa (1.2 kg/cm<sup>2</sup>, 17 psi) or less, ECM turns the A/C relay to OFF and stops the compressor.

##### Pressure Relief Valve

The refrigerant system is also protected by a pressure relief valve, located in the rear head of the compressor. The release port on the pressure relief valve automatically opens and releases refrigerant into the atmosphere when the pressure of refrigerant in the system increases to an unusual level [more than 3,628 kPa (37 kg/cm<sup>2</sup>, 526 psi)].

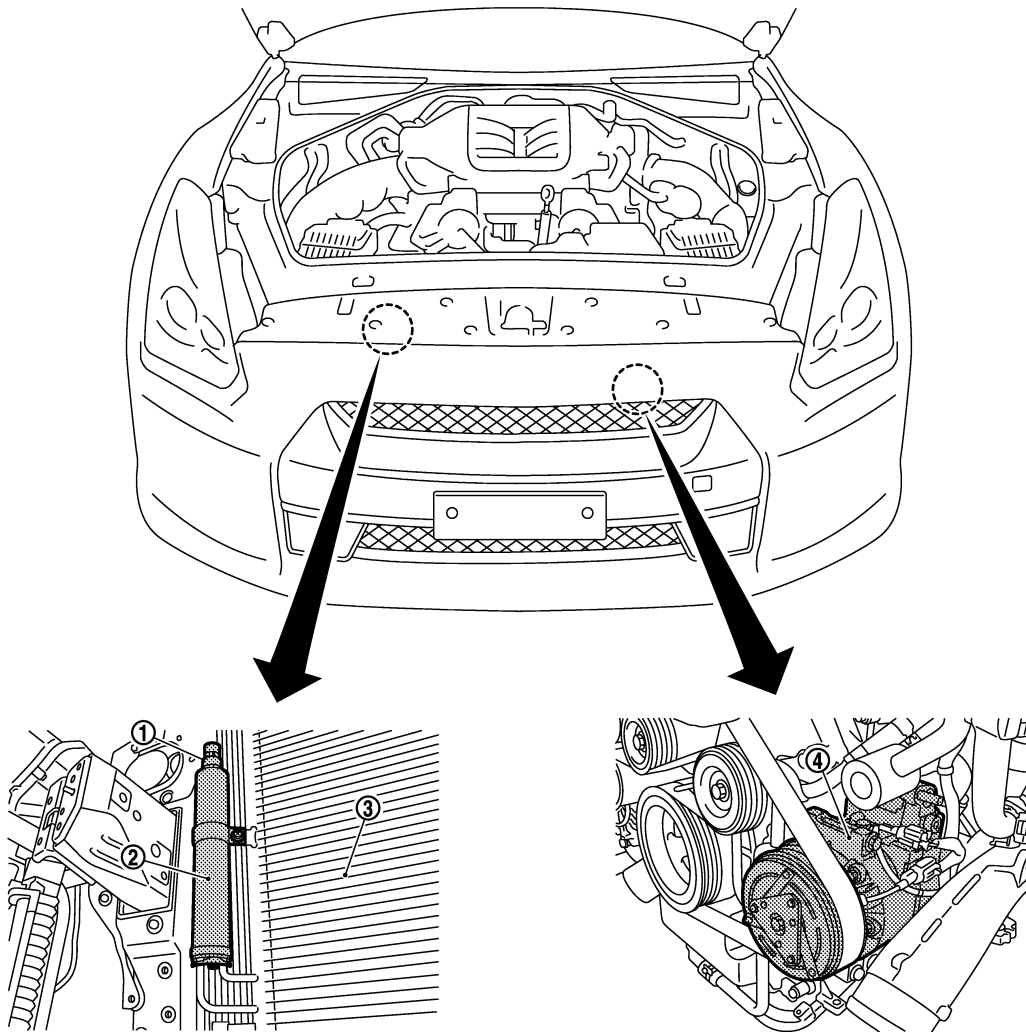
# REFRIGERATION SYSTEM

< SYSTEM DESCRIPTION >

## Component Parts Location

INFOID:000000011485833

### ENGINE COMPARTMENT



NNIA0069ZZ

1. Refrigerant pressure sensor

2. Liquid tank

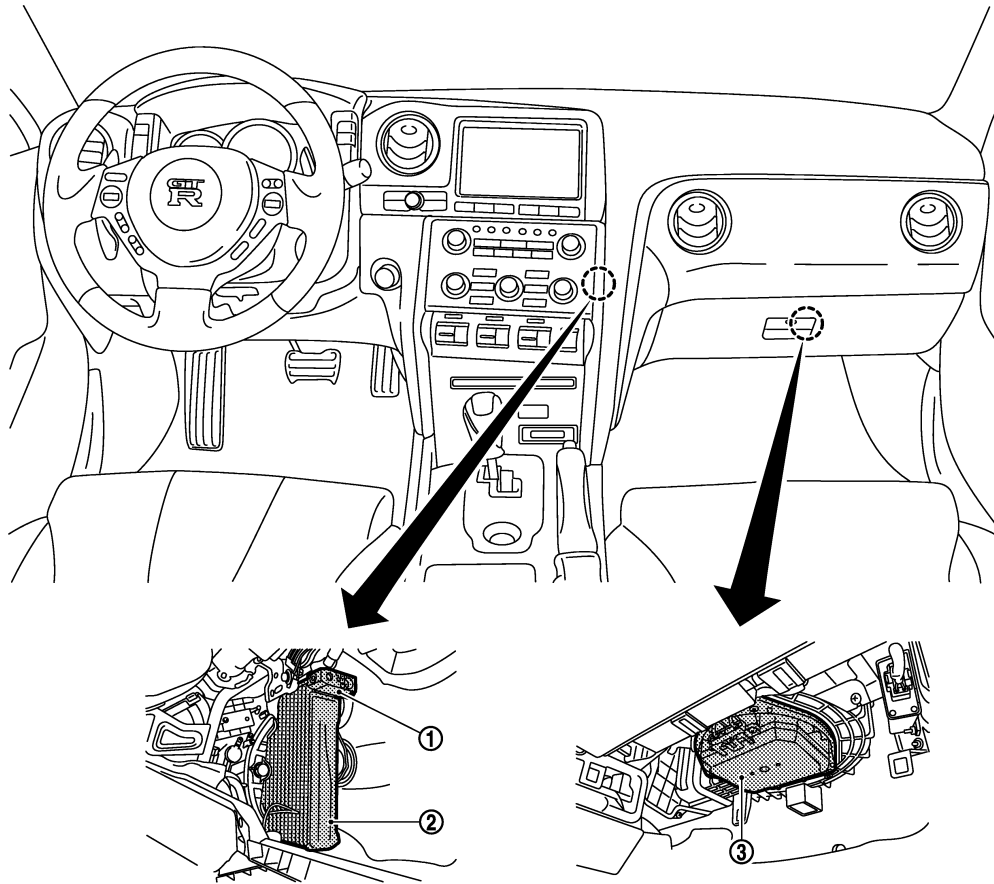
3. Condenser

4. Compressor

### PASSENGER COMPARTMENT

# REFRIGERATION SYSTEM

## < SYSTEM DESCRIPTION >



1. Expansion valve

2. Evaporator

3. Blower motor

## Component Description

INFOID:000000011485834

Component	Description
Compressor	Intakes, compresses, and discharges refrigerant, to circulate refrigerant inside the refrigerant cycle.
Condenser	Cools refrigerant discharged from compressor, and transforms it to liquid refrigerant.
Liquid tank	Eliminates foreign matter in refrigerant, and stores temporarily liquid refrigerant.
Refrigerant pressure sensor	(This work should be performed by GT-R certified NISSAN dealer.)
Expansion valve	Transforms high-pressure liquid refrigerant to mist form low-pressure liquid refrigerant by drawing function.
Evaporator	The mist form liquid refrigerant transforms to gas by evaporation by the air conveyed from the blower motor. The air is cooled by the heat by evaporation.
Blower motor	Takes in air in the vehicle or fresh outside air, provides it forcedly to the air conditioner, and conveys it inside the vehicle.

# REFRIGERATION SYSTEM SYMPTOMS

< SYMPTOM DIAGNOSIS >

## SYMPTOM DIAGNOSIS

### REFRIGERATION SYSTEM SYMPTOMS

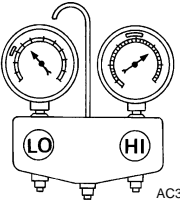
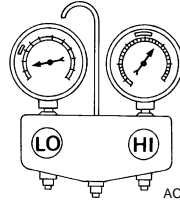
#### Trouble Diagnosis For Unusual Pressure

INFOID:000000011485835

Diagnose using a manifold gauge whenever system's high and/or low side pressure(s) is/are unusual. The marker above the gauge scale in the following tables indicates the standard (usual) pressure range. Refer to above table (Ambient air temperature-to-operating pressure table) since the standard (usual) pressure, however, differs from vehicle to vehicle.

#### Symptom Table

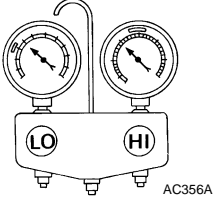
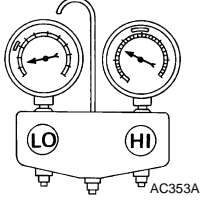
INFOID:000000011485836

Gauge indication	Refrigerant cycle	Probable cause	Corrective action
<p>Both high- and low-pressure sides are too high.</p>  <p>AC359A</p>	<p>The pressure returns to normal is reduced soon after water is splashed on condenser.</p>	<p>Excessive refrigerant charge in refrigeration cycle.</p>	<p>Reduce refrigerant until specified pressure is obtained.</p>
	<p>Air suction by cooling fan is insufficient.</p>	<p>Insufficient condenser cooling performance. ↓ 1. Condenser fins are clogged. 2. Improper fan rotation of cooling fan.</p>	<ul style="list-style-type: none"> <li>• Clean condenser.</li> <li>• Check and repair cooling fan if necessary.</li> </ul>
	<ul style="list-style-type: none"> <li>• Low-pressure pipe is not cold.</li> <li>• When compressor is stopped, high-pressure reading quickly drops by approximately 196 kPa (2 kg/cm<sup>2</sup>, 28 psi). It then decreases gradually thereafter.</li> </ul>	<p>Poor heat exchange in condenser (After compressor operation stops, high-pressure decreases too slowly). ↓ Air in refrigeration cycle.</p>	<p>Evacuate repeatedly and re-charge system.</p>
	<p>Engine tends to overheat.</p>	<p>Engine cooling systems malfunction.</p>	<p>Check and repair each engine cooling system.</p>
	<ul style="list-style-type: none"> <li>• An area of the low-pressure pipe is colder than areas near the evaporator outlet.</li> <li>• Low-pressure pipe is sometimes covered with frost.</li> </ul>	<ul style="list-style-type: none"> <li>• Excessive liquid refrigerant on low-pressure side.</li> <li>• Excessive refrigerant discharge flow.</li> <li>• Expansion valve is open a little compared with the specification.</li> </ul> <p>↓ Improper expansion valve adjustment.</p>	<p>Replace expansion valve.</p>
<p>High-pressure side is too high and low-pressure side is too low.</p>  <p>AC360A</p>	<p>Upper side of condenser and high-pressure side are hot, however, liquid tank is not so hot.</p>	<p>High-pressure tube or parts located between compressor and condenser are clogged or crushed.</p>	<ul style="list-style-type: none"> <li>• Check and repair or replace malfunctioning parts.</li> <li>• Check lubricant for contamination.</li> </ul>



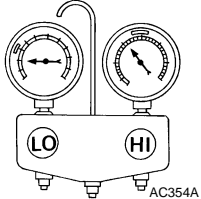
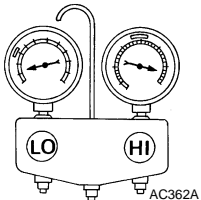
# REFRIGERATION SYSTEM SYMPTOMS

## < SYMPTOM DIAGNOSIS >

Gauge indication	Refrigerant cycle	Probable cause	Corrective action	
High-pressure side is too low and low-pressure side is too high. 	High- and low-pressure sides become equal soon after compressor operation stops.	Compressor pressure operation is improper. ↓ Damaged inside compressor packings.	Replace compressor.	A
	No temperature difference between high- and low-pressure sides.	Compressor pressure operation is improper. ↓ Damaged inside compressor packings.	Replace compressor.	B
Both high- and low-pressure sides are too low. 	<ul style="list-style-type: none"> <li>• There is a big temperature difference between liquid tank outlet and inlet. Outlet temperature is extremely low.</li> <li>• Liquid tank inlet and expansion valve are frosted.</li> </ul>	Liquid tank inside is slightly clogged.	<ul style="list-style-type: none"> <li>• Replace liquid tank.</li> <li>• Check lubricant for contamination.</li> </ul>	C
	<ul style="list-style-type: none"> <li>• Expansion valve inlet temperature is extremely low as compared with areas near liquid tank.</li> <li>• Expansion valve inlet is frosted.</li> <li>• Temperature difference occurs somewhere in high-pressure side.</li> </ul>	High-pressure pipe located between liquid tank and expansion valve is clogged.	<ul style="list-style-type: none"> <li>• Check and repair malfunctioning parts.</li> <li>• Check lubricant for contamination.</li> </ul>	D
	Expansion valve and liquid tank are warm or slightly cool when touched.	Low refrigerant charge. ↓ Leaking fittings or components.	Check refrigerant for leakages. Refer to <a href="#">HA-35, "Refrigerant Leakages"</a> .	E
	There is a big temperature difference between expansion valve inlet and outlet while the valve itself is frosted.	Expansion valve closes a little compared with the specification. ↓ 1. Improper expansion valve adjustment. 2. Malfunctioning expansion valve. 3. Outlet and inlet may be clogged.	<ul style="list-style-type: none"> <li>• Remove foreign particles by using compressed air.</li> <li>• Replace expansion valve.</li> <li>• Check lubricant for contamination.</li> </ul>	F
	An area of the low-pressure pipe is colder than areas near the evaporator outlet.	Low-pressure pipe is clogged or crushed.	<ul style="list-style-type: none"> <li>• Check and repair malfunctioning parts.</li> <li>• Check lubricant for contamination.</li> </ul>	G
	Air flow volume is not enough or is too low.	Evaporator is frozen.	<ul style="list-style-type: none"> <li>• Check intake sensor circuit. Refer to <a href="#">HAC-45, "Diagnosis Procedure"</a>.</li> <li>• Replace compressor.</li> <li>• Repair evaporator fins.</li> <li>• Replace evaporator.</li> <li>• Check the blower motor circuit. Refer to <a href="#">HAC-63, "Diagnosis Procedure"</a>.</li> </ul>	H
				HA

# REFRIGERATION SYSTEM SYMPTOMS

## < SYMPTOM DIAGNOSIS >

Gauge indication	Refrigerant cycle	Probable cause	Corrective action
<p>Low-pressure side sometimes becomes negative.</p> 	<ul style="list-style-type: none"> <li>• Air conditioning system does not function and does not cyclically cool the compartment air.</li> <li>• The system constantly functions for a period of time after compressor is stopped and restarted.</li> </ul>	<p>Refrigerant does not discharge cyclically.</p> <p>↓</p> <p>Moisture is frozen at expansion valve outlet and inlet.</p> <p>↓</p> <p>Water is mixed with refrigerant.</p>	<ul style="list-style-type: none"> <li>• Drain water from refrigerant or replace refrigerant.</li> <li>• Replace liquid tank.</li> </ul>
<p>Low-pressure side becomes negative.</p> 	<p>Liquid tank or front/rear side of expansion valve's pipe is frosted or wet with dew.</p>	<p>High-pressure side is closed and refrigerant does not flow.</p> <p>↓</p> <p>Expansion valve or liquid tank is frosted.</p>	<p>Leave the system at rest until no frost is present. Start it again to check whether or not the malfunction is caused by water or foreign particles.</p> <ul style="list-style-type: none"> <li>• Cooling is initially okay if water is the cause. Then the water freezes causing a blockage. Drain water from refrigerant or replace refrigerant.</li> <li>• Remove expansion valve and remove the particles with dry and compressed air (not shop air) if due to foreign particles.</li> <li>• Replace expansion valve if either of the above methods cannot correct the malfunction.</li> <li>• Replace liquid tank.</li> <li>• Check lubricant for contamination.</li> </ul>

# COMPRESSOR SYSTEM SYMPTOMS

< SYMPTOM DIAGNOSIS >

## COMPRESSOR SYSTEM SYMPTOMS

### Symptom Table

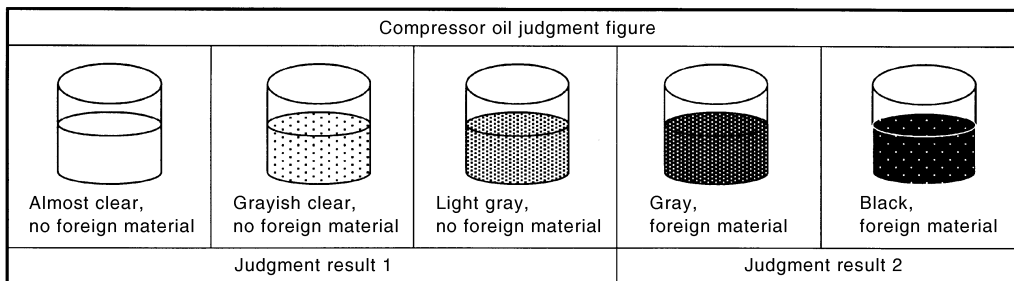
INFOID:000000011485837

Follow the next table and perform trouble diagnosis if there is a compressor unit malfunction (internal noise, insufficient cooling).

Symptom	Inspection method	Check list	Result	Action
Noise from compressor unit When A/C is ON. (rattling or rolling sound)	Cooler system internal pressure	Check with manifold gauge	Both high- and low-pressure sides are high.*2	Recharge with proper amount of refrigerant.
			High/low-pressures hunt.*2	Replace compressor only.
	Check compressor oil condition.	Sample compressor oil and judge.	Refer to the criteria shown in compressor lubricant.	Judgment result 1: Replace compressor only. Judgment result 2: Replace compressor and liquid tank.
Insufficient cooling*1	Compressor body	Check rotation of compressor. If sized or stuck, sample compressor oil and judge.		
	Cooler system internal pressure	Check with a manifold gauge. Sample compressor oil and judge if the difference between high-pressure and low-pressure is small or if they are almost the same.		
Outlet air temperature rises temporarily while driving.*2	—	—	—	Replace compressor only.

\*1: First conduct inspection according to trouble diagnosis for each malfunction.

\*2: Applicable to variable capacity compressor only.



JSIIA0927GB

# PRECAUTIONS

< PRECAUTION >

## PRECAUTION

### PRECAUTIONS

#### Precaution for Supplemental Restraint System (SRS) "AIR BAG" and "SEAT BELT PRE-TENSIONER"

INFOID:000000011485838

The Supplemental Restraint System such as "AIR BAG" and "SEAT BELT PRE-TENSIONER", used along with a front seat belt, helps to reduce the risk or severity of injury to the driver and front passenger for certain types of collision. This system includes seat belt switch inputs and dual stage front air bag modules. The SRS system uses the seat belt switches to determine the front air bag deployment, and may only deploy one front air bag, depending on the severity of a collision and whether the front occupants are belted or unbelted. Information necessary to service the system safely is included in the "SRS AIR BAG" and "SEAT BELT" of this Service Manual.

#### **WARNING:**

Always observe the following items for preventing accidental activation.

- To avoid rendering the SRS inoperative, which could increase the risk of personal injury or death in the event of a collision that would result in air bag inflation, all maintenance must be performed by an authorized NISSAN/INFINITI dealer.
- Improper maintenance, including incorrect removal and installation of the SRS, can lead to personal injury caused by unintentional activation of the system. For removal of Spiral Cable and Air Bag Module, see "SRS AIR BAG".
- Never use electrical test equipment on any circuit related to the SRS unless instructed to in this Service Manual. SRS wiring harnesses can be identified by yellow and/or orange harnesses or harness connectors.

#### PRECAUTIONS WHEN USING POWER TOOLS (AIR OR ELECTRIC) AND HAMMERS

#### **WARNING:**

Always observe the following items for preventing accidental activation.

- When working near the Air Bag Diagnosis Sensor Unit or other Air Bag System sensors with the ignition ON or engine running, never use air or electric power tools or strike near the sensor(s) with a hammer. Heavy vibration could activate the sensor(s) and deploy the air bag(s), possibly causing serious injury.
- When using air or electric power tools or hammers, always switch the ignition OFF, disconnect the battery, and wait at least 3 minutes before performing any service.

#### Precautions Necessary for Steering Wheel Rotation After Battery Disconnection

INFOID:000000011485839

#### **CAUTION:**

Comply with the following cautions to prevent any error and malfunction.

- Before removing and installing any control units, first turn the ignition switch to the LOCK position, then disconnect both battery cables.
- After finishing work, confirm that all control unit connectors are connected properly, then re-connect both battery cables.
- Always use CONSULT to perform self-diagnosis as a part of each function inspection after finishing work. If a DTC is detected, perform trouble diagnosis according to self-diagnosis results.

For vehicle with steering lock unit, if the battery is disconnected or discharged, the steering wheel will lock and cannot be turned.

If turning the steering wheel is required with the battery disconnected or discharged, follow the operation procedure below before starting the repair operation.

#### OPERATION PROCEDURE

1. Connect both battery cables.

#### **NOTE:**

Supply power using jumper cables if battery is discharged.

2. Turn the ignition switch to ACC position.  
(At this time, the steering lock will be released.)
3. Disconnect both battery cables. The steering lock will remain released with both battery cables disconnected and the steering wheel can be turned.

# PRECAUTIONS

## < PRECAUTION >

4. Perform the necessary repair operation.
5. When the repair work is completed, re-connect both battery cables. With the brake pedal released, turn the ignition switch from ACC position to ON position, then to LOCK position. (The steering wheel will lock when the ignition switch is turned to LOCK position.)
6. Perform self-diagnosis check of all control units using CONSULT.

### Precaution for Battery Service

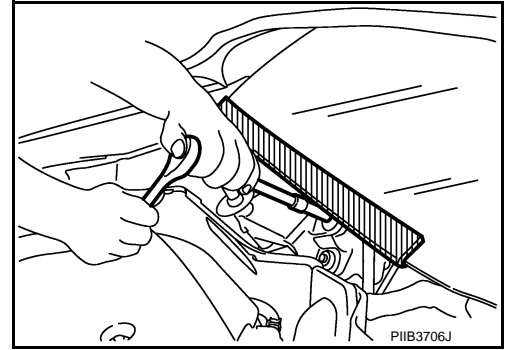
INFOID:000000011485840

Before disconnecting the battery, lower both the driver and passenger windows. This will prevent any interference between the window edge and the vehicle when the door is opened/closed. During normal operation, the window slightly raises and lowers automatically to prevent any window to vehicle interference. The automatic window function will not work with the battery disconnected.

### Precaution for Procedure without Cowl Top Cover

INFOID:000000011485841

When performing the procedure after removing cowl top cover, cover the lower end of windshield with urethane, etc to prevent damage to windshield.



### Precautions for Removing Battery Terminal

INFOID:000000011485842

- When removing the 12V battery terminal, turn OFF the ignition switch and wait at least 30 seconds.

#### NOTE:

ECU may be active for several tens of seconds after the ignition switch is turned OFF. If the battery terminal is removed before ECU stops, then a DTC detection error or ECU data corruption may occur.

- For vehicles with the 2-batteries, be sure to connect the main battery and the sub battery before turning ON the ignition switch.

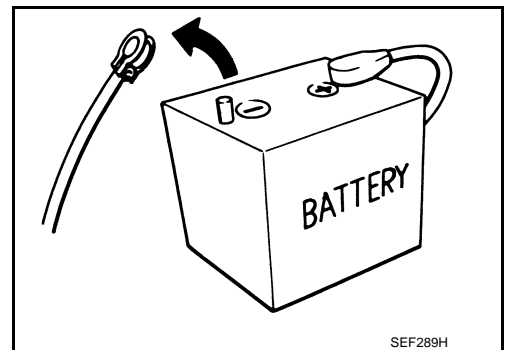
#### NOTE:

If the ignition switch is turned ON with any one of the terminals of main battery and sub battery disconnected, then DTC may be detected.

- After installing the 12V battery, always check "Self Diagnosis Result" of all ECUs and erase DTC.

#### NOTE:

The removal of 12V battery may cause a DTC detection error.



### General Precautions

INFOID:000000011485843

#### CAUTION:

After finishing servicing, check that all the tools and waste are stored in a customary place.

### Working with HFC-134a (R-134a)

INFOID:000000011485844

#### CAUTION:

- CFC-12 (R-12) refrigerant and HFC-134a (R-134a) refrigerant are not compatible. Compressor malfunction is likely to occur if the refrigerants are mixed, refer to "CONTAMINATED REFRIGERANT" below. To determine the purity of HFC-134a (R-134a) in the vehicle and recovery tank, use Refrigerant recovery/recycling recharging equipment and Refrigerant Identifier.
- Use only specified lubricant for the HFC-134a (R-134a) A/C system and HFC-134a (R-134a) components. Compressor malfunction is likely to occur if lubricant other than that specified is used.
- The specified HFC-134a (R-134a) lubricant rapidly absorbs moisture from the atmosphere. The following handling precautions must be observed:

# PRECAUTIONS

## < PRECAUTION >

- **Cap (seal) immediately the component to minimize the entry of moisture from the atmosphere when removing refrigerant components from a vehicle.**
- **Never remove the caps (unseal) until just before connecting the components when installing refrigerant components to a vehicle. Connect all refrigerant loop components as quickly as possible to minimize the entry of moisture into system.**
- **Use only the specified lubricant from a sealed container. Reseal immediately containers of lubricant. Lubricant becomes moisture saturated and should not be used without proper sealing.**
- **Never allow lubricant (NISSAN A/C System Oil Type S) to come in contact with styrene foam parts. Damage may result.**

## CONTAMINATED REFRIGERANT

**Take appropriate steps shown below if a refrigerant other than pure HFC-134a (R-134a) is identified in a vehicle:**

- Explain to the customer that environmental regulations prohibit the release of contaminated refrigerant into the atmosphere.
- Explain that recovery of the contaminated refrigerant could damage service equipment and refrigerant supply.
- Suggest the customer return the vehicle to the location of previous service where the contamination may have occurred.
- In case of repairing, recover the refrigerant using only **dedicated equipment and containers. Never recover contaminated refrigerant into the existing service equipment.** Contact a local refrigerant product retailer for available service if the facility does not have dedicated recovery equipment. This refrigerant must be disposed of in accordance with all federal and local regulations. In addition, replacement of all refrigerant system components on the vehicle is recommended.
- The air conditioner warranty is void if the vehicle is within the warranty period. Please contact Nissan Customer Affairs for further assistance.

## General Refrigerant Precaution

INFOID:000000011485845

### **WARNING:**

- **Never breathe A/C refrigerant and lubricant vapor or mist. Exposure may irritate eyes, nose and throat. Remove HFC-134a (R-134a) from the A/C system, using certified service equipment meeting requirements of SAE J-2210 [HFC-134a (R-134a) recycling equipment], or J-2209 [HFC-134a (R-134a) recovery equipment]. Ventilate work area before resuming service if accidental system discharge occurs. Additional health and safety information may be obtained from refrigerant and lubricant manufacturers.**
- **Never release refrigerant into the air. Use approved recovery/recycling recharging equipment to capture the refrigerant each time an air conditioning system is discharged.**
- **Wear always eye and hand protection (goggles and gloves) when working with any refrigerant or air conditioning system.**
- **Never store or heat refrigerant containers above 52°C (126°F).**
- **Never heat a refrigerant container with an open flame; Place the bottom of the container in a warm pail of water if container warming is required.**
- **Never intentionally drop, puncture, or incinerate refrigerant containers.**
- **Keep refrigerant away from open flames: poisonous gas is produced if refrigerant burns.**
- **Refrigerant displaces oxygen, therefore be certain to work in well ventilated areas to prevent suffocation.**
- **Never pressure test or leakage test HFC-134a (R-134a) service equipment and/or vehicle air conditioning systems with compressed air during repair. Some mixtures of air and HFC-134a (R-134a) have been shown to be combustible at elevated pressures. These mixtures, if ignited, may cause injury or property damage. Additional health and safety information may be obtained from refrigerant manufacturers.**

## Refrigerant Connection

INFOID:000000011485846

A new type refrigerant connection has been introduced to all refrigerant lines except the following location.

- Expansion valve to evaporator
- Refrigerant pressure sensor to liquid tank

## ABOUT ONE-TOUCH JOINT

### Description

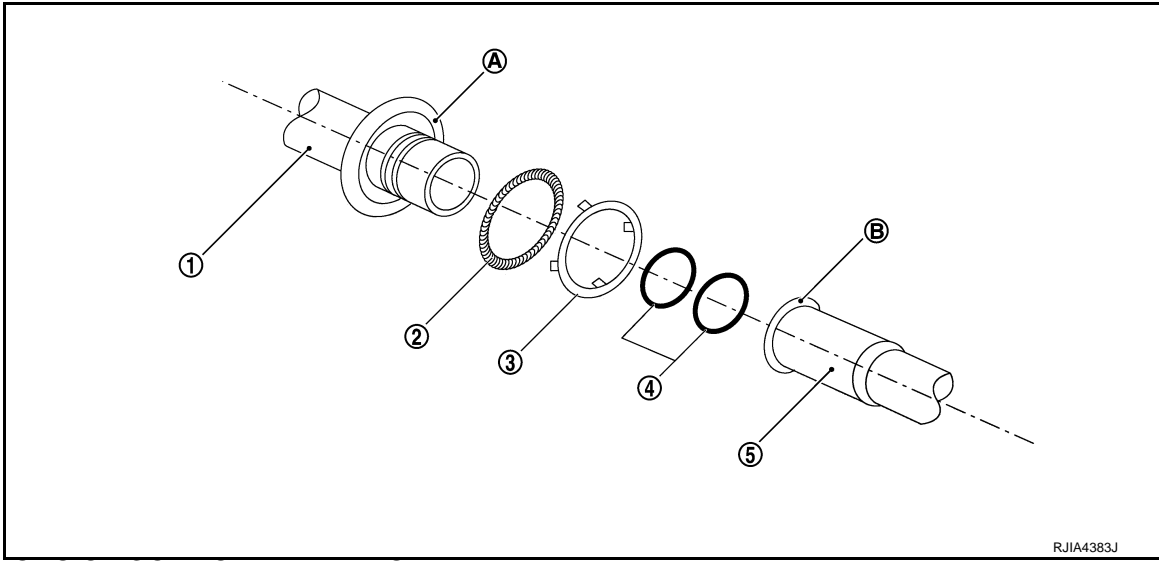
- One-touch joints are pipe joints which do not require tools during piping connection.

# PRECAUTIONS

## < PRECAUTION >

- Unlike conventional connection methods using union nuts and flanges, controlling tightening torque at connection point is not necessary.
- Use a disconnecter when removing a pipe joint.

### COMPONENT PARTS



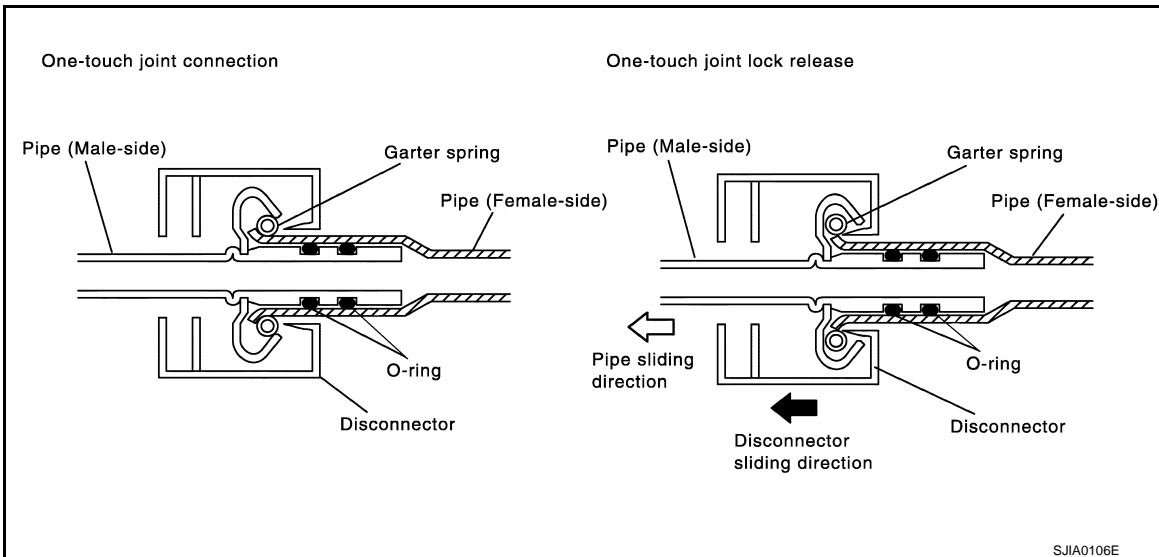
### FUNCTIONS OF COMPONENT PARTS

1	Pipe (Male-side)	<ul style="list-style-type: none"> <li>• Retains O-rings.</li> <li>• Retains garter spring in cage (A).</li> </ul>
2	Garter spring	Anchors female-side piping.
3	Indicator ring	When connection is made properly, this is ejected from male-side piping. (This part is no longer necessary after connection.)
4	O-ring	Seals connection point. (Not reusable)
5	Pipe (Female-side)	<ul style="list-style-type: none"> <li>• Seals connection by compressing O-rings.</li> <li>• Anchors piping connection using flare (B) and garter spring.</li> </ul>

### NOTE:

- Garter spring cannot be removed from cage of male-side piping.
- Indicator ring remains near piping connection point, however, this is not a malfunction. (This is to check piping connection during factory assembly.)

### REMOVAL



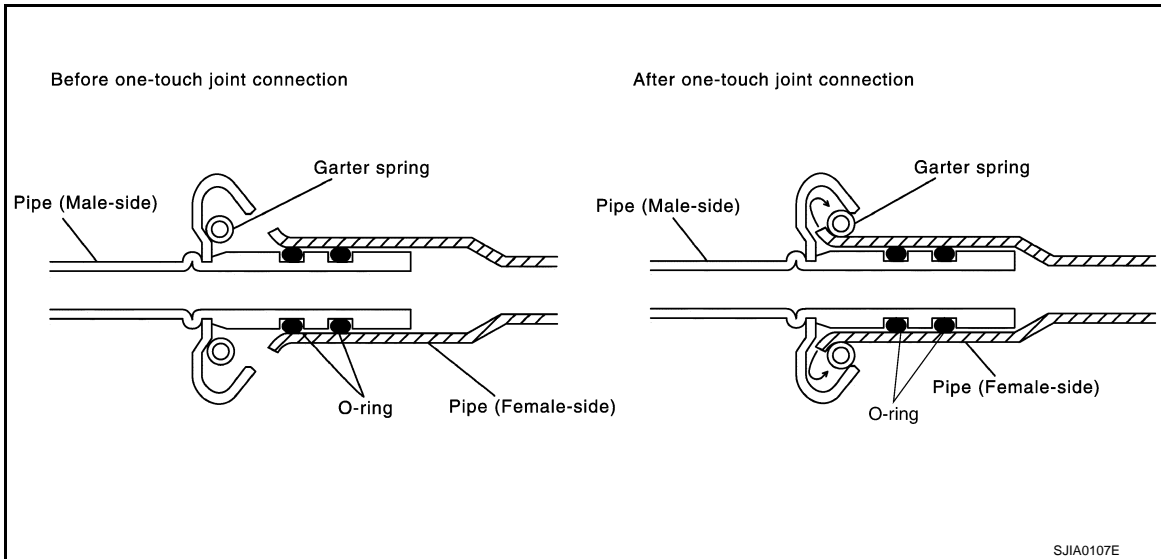
1. Clean piping connection point, and set a disconnecter.
2. Slide disconnecter in axial direction of piping, and stretch garter spring with tapered point of disconnecter.

# PRECAUTIONS

## < PRECAUTION >

- Slide disconnecter farther so that inside diameter of garter spring becomes larger than outside diameter of female-side piping flare. Then male-side piping can be disconnected.

## INSTALLATION



- Clean piping connection points, and insert male-side piping into female-side piping.
- Push inserted male-side piping harder so that female-side piping flare stretches garter spring.
- Garter spring seats on flare if inside diameter of garter spring becomes larger than outside diameter of female-side piping flare. Then, it fits in between male-side piping cage and female-side piping flare to anchor piping connection point.

### NOTE:

When garter spring seats on flare, and fits in between male-side piping cage and female-side piping flare, it clicks.

### CAUTION:

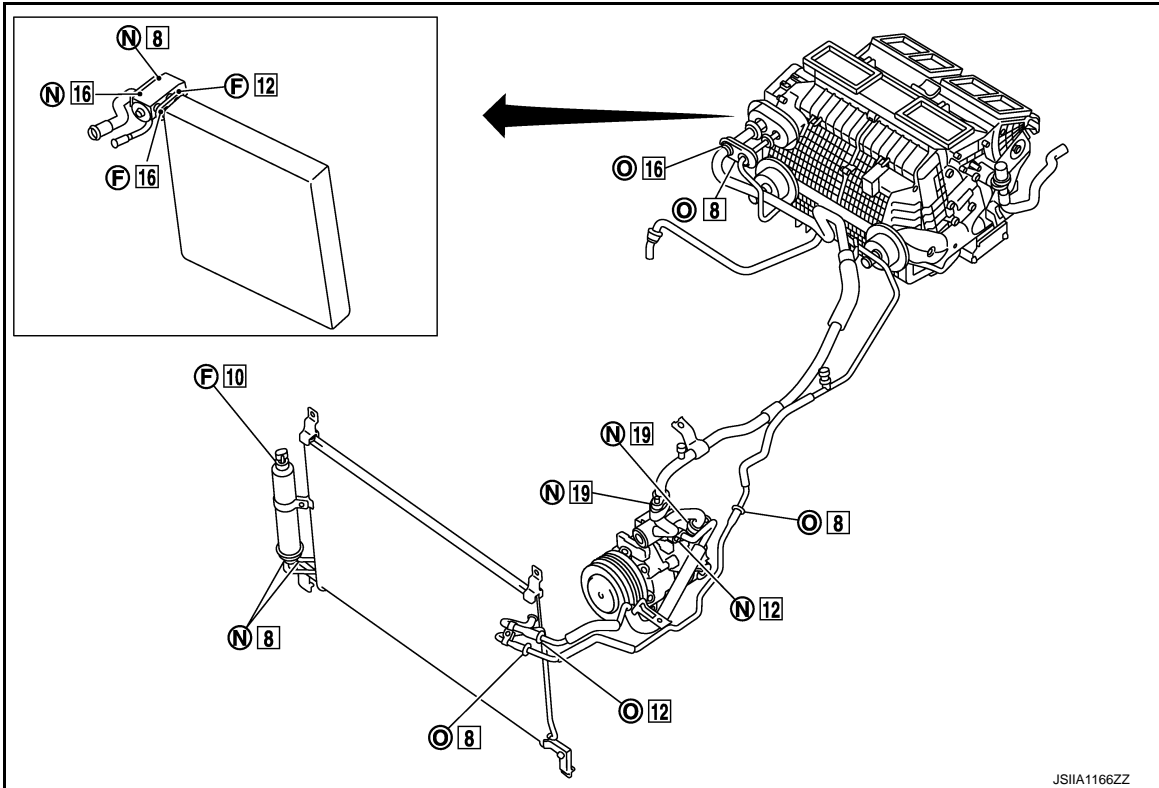
- Female-side piping connection point is thin and easy to deform. Slowly insert the male-side piping straight in axial direction.
- Insert piping securely until a click is heard.
- After piping connection is completed, pull male-side piping by hand to make sure that connection does not come loose.

## O-RING AND REFRIGERANT CONNECTION



# PRECAUTIONS

## < PRECAUTION >



F : Former type refrigerant connection    N : New type refrigerant connection    O : One-touch joint

□ : O-ring size

### CAUTION:

The new and former refrigerant connections use different O-ring configurations. Never confuse O-rings since they are not interchangeable. Refrigerant may leak at the connection if a wrong O-ring is installed.

### O-Ring Part Numbers and Specifications

Connection type	Piping connection point	QTY	O-ring size	
One-touch joint	Low-pressure flexible hose to low-pressure pipe 1	2	φ16	
	High-pressure pipe 1 to high-pressure pipe 2	2	φ8	
	High-pressure pipe 2 to high-pressure pipe 3	2	φ8	
	Condenser	Inlet	2	φ12
Outlet		2	φ8	
New	Low-pressure flexible hose to low-pressure pipe 2	1	φ19	
	Low-pressure pipe 1 to expansion valve	1	φ16	
	High-pressure pipe 3 to expansion valve	1	φ8	
	Compressor	Inlet	1	φ19
		Outlet	1	φ12
	Liquid tank	Inlet	1	φ8
Outlet		1		
Former	Refrigerant pressure sensor to liquid tank	1	φ10	
	Evaporator	Inlet	1	φ12
		Outlet	1	φ16

### WARNING:

A  
B  
C  
D  
E  
F  
G  
H

HA

J  
K  
L  
M  
N  
O  
P

# PRECAUTIONS

## < PRECAUTION >

Check that all refrigerant is discharged into the recycling equipment and the pressure in the system is less than atmospheric pressure. Then gradually loosen the discharge side hose fitting and remove it.

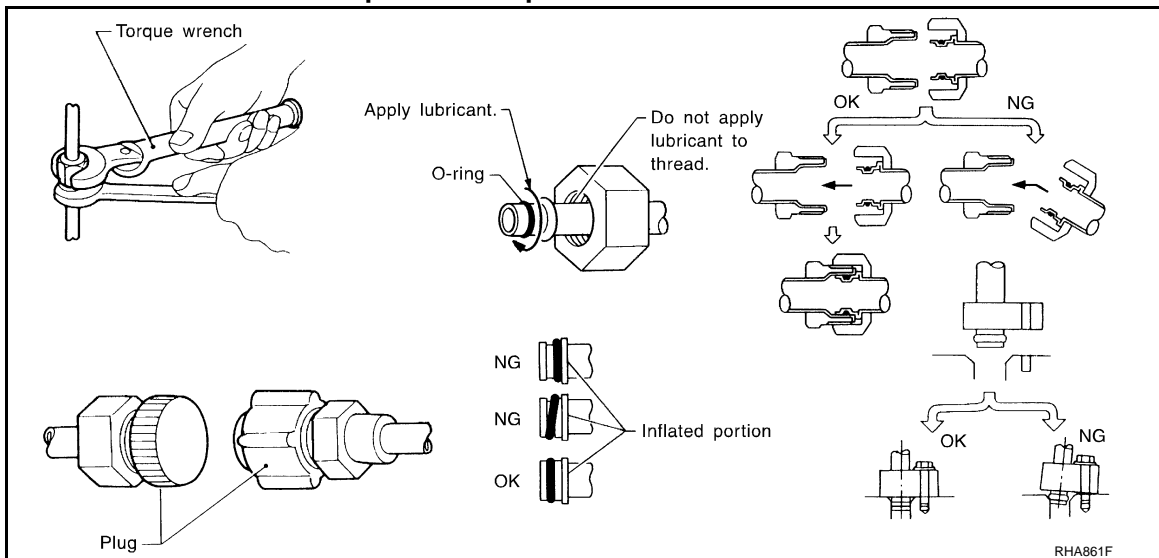
### CAUTION:

Observe the following when replacing or cleaning refrigerant cycle components.

- Store it in the same way as it is when mounted on the car when the compressor is removed. Failure to do so will cause lubricant to enter the low-pressure chamber.
- Use always a torque wrench and a back-up wrench when connecting tubes.
- Plug immediately all openings to prevent entry of dust and moisture after disconnecting tubes.
- Connect the pipes at the final stage of the operation when installing an air conditioner in the vehicle. Never remove the seal caps of pipes and other components until just before required for connection.
- Allow components stored in cool areas to warm to working area temperature before removing seal caps. This prevents condensation from forming inside A/C components.
- Remove thoroughly moisture from the refrigeration system before charging the refrigerant.
- Replace always used O-rings.
- Apply lubricant to circle of the O-rings shown in illustration when connecting tube. Be careful not to apply lubricant to threaded portion.

Name : NISSAN A/C System Oil Type S

- O-ring must be closely attached to the groove portion of tube.
- Be careful not to damage O-ring and tube when replacing the O-ring.
- Connect tube until a click can be heard. Then tighten the nut or bolt by hand. Check that the O-ring is installed to tube correctly.
- Perform leakage test and make sure that there is no leakage from connections after connecting line. Disconnect that line and replace the O-ring when the refrigerant leaking point is found. Then tighten connections of seal seat to the specified torque.



## Service Equipment

INFOID:000000011485847

### RECOVERY/RECYCLING RECHARGING EQUIPMENT

Be certain to follow the manufacturer's instructions for machine operation and machine maintenance. Never introduce any refrigerant other than that specified into the machine.

### ELECTRICAL LEAK DETECTOR

Be certain to follow the manufacturer's instructions for tester operation and tester maintenance.

### VACUUM PUMP

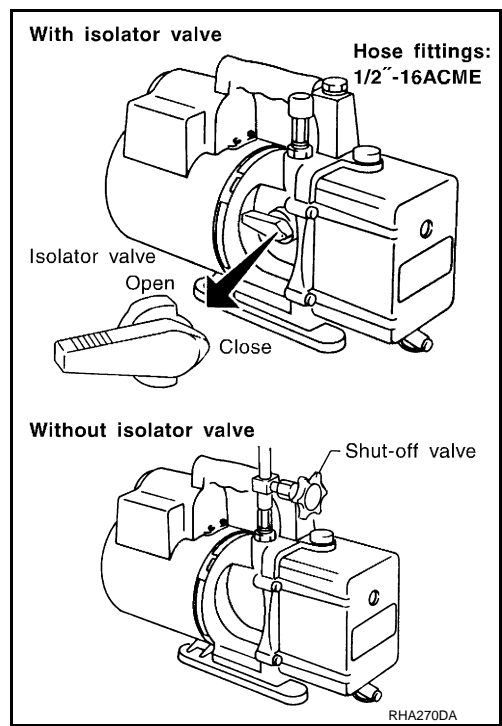
# PRECAUTIONS

## < PRECAUTION >

The lubricant contained inside the vacuum pump is not compatible with the specified lubricant for HFC-134a (R-134a) A/C systems. The vent side of the vacuum pump is exposed to atmospheric pressure. So the vacuum pump lubricant may migrate out of the pump into the service hose. This is possible when the pump is switched OFF after evacuation (vacuuming) and hose is connected to it. To prevent this migration, use a manual valve placed near the hose-to-pump connection, as per the following.

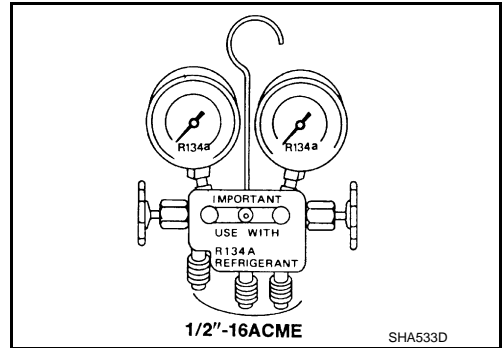
- Vacuum pumps usually have a manual isolator valve as part of the pump. Close this valve to isolate the service hose from the pump.
- Use a hose equipped with a manual shut-off valve near the pump end for pumps without an isolator. Close the valve to isolate the hose from the pump.
- Disconnect the hose from the pump if the hose has an automatic shut-off valve. As long as the hose is connected, the valve is open and lubricating oil may migrate.

Some one-way valves open when vacuum is applied and close under no vacuum condition. Such valves may restrict the pump's ability to pull a deep vacuum and are not recommended.



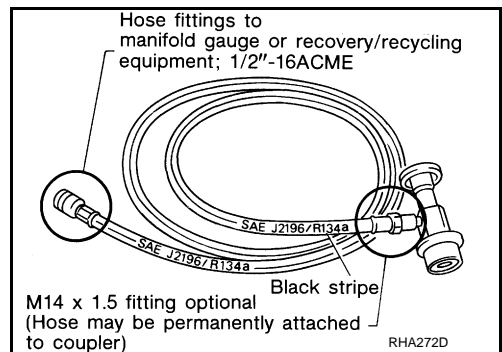
## MANIFOLD GAUGE SET

Be certain that the gauge face indicates HFC-134a or R-134a. Be sure the gauge set has 1/2"-16 ACME threaded connections for service hoses. Confirm the set has been used only with refrigerant HFC-134a (R-134a) and specified lubricants.



## SERVICE HOSES

Be certain that the service hoses display the markings described (colored hose with black stripe). All hoses must equip positive shut-off devices (either manual or automatic) near the end of the hoses opposite to the manifold gauge.



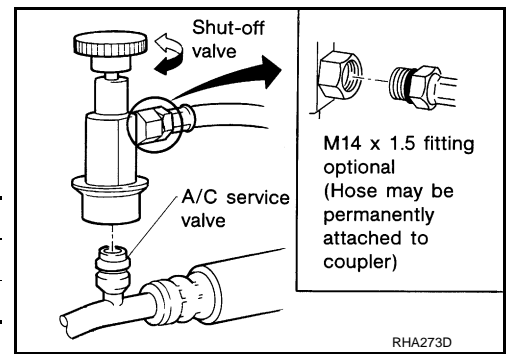
## SERVICE COUPLERS

# PRECAUTIONS

## < PRECAUTION >

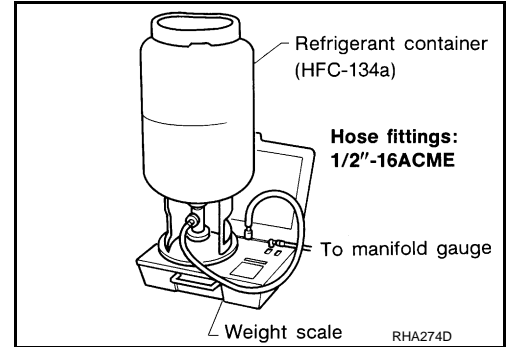
Never attempt to connect HFC-134a (R-134a) service couplers to the CFC-12 (R-12) A/C system. The HFC-134a (R-134a) couplers do not properly connect to the CFC-12 (R-12) system. However, if an improper connection is attempted, discharging and contamination may occur.

Shut-off valve rotation	A/C service valve
Clockwise	Open
Counterclockwise	Close



## REFRIGERANT WEIGHT SCALE

Verify that no refrigerant other than HFC-134a (R-134a) and specified lubricants have been used with the scale. The hose fitting must be 1/2"-16 ACME if the scale controls refrigerant flow electronically.



## CHARGING CYLINDER

Using a charging cylinder is not recommended. Refrigerant may be vented into air from cylinder's top valve when filling the cylinder with refrigerant. Also, the accuracy of the cylinder is generally less than that of an electronic scale or of quality recycle/recharge equipment.

# COMPRESSOR

< PRECAUTION >

## COMPRESSOR

### General Precautions

INFOID:000000011485848

#### CAUTION:

- Plug all openings to prevent moisture and foreign matter from entering.
- Store it in the same way as it is when mounted on the car when the compressor is removed.
- Follow "Maintenance of Lubricant Quantity in Compressor" exactly when replacing or repairing compressor. Refer to [HA-31, "Description \(GT-R certified NISSAN dealer\)"](#).
- Keep friction surfaces between clutch and pulley clean. Wipe it off by using a clean waste cloth moistened with thinner if the surface is contaminated with lubricant.
- Turn the compressor shaft by hand more than five turns in both directions after compressor service operation. This distributes equally lubricant inside the compressor. Let the engine idle and operate the compressor for one hour after the compressor is installed.
- Apply voltage to the new one and check for normal operation after replacing the compressor magnet clutch.

A  
B  
C  
D  
E  
F  
G  
H  
HA  
J  
K  
L  
M  
N  
O  
P

# LEAK DETECTION DYE

< PRECAUTION >

---

## LEAK DETECTION DYE

### General Precautions

INFOID:000000011485849

#### **CAUTION:**

- The A/C system contains a fluorescent leak detection dye used for locating refrigerant leakages. An ultraviolet (UV) lamp is required to illuminate the dye when inspecting for leakages.
- Wear always fluorescence enhancing UV safety goggles to protect eyes and enhance the visibility of the fluorescent dye.
- The fluorescent dye leak detector is not a replacement for an electrical leak detector (SST: J-41995). The fluorescent dye leak detector should be used in conjunction with an electrical leak detector (SST: J-41995) to pin-point refrigerant leakages.
- Read and follow all manufacture's operating instructions and precautions prior to performing the work for the purpose of safety and customer's satisfaction.
- A compressor shaft seal should not necessarily be repaired because of dye seepage. The compressor shaft seal should only be repaired after confirming the leakage with an electrical leak detector (SST: J-41995).
- Remove always any remaining dye from the leakage area after repairs are completed to avoid a misdiagnosis during a future service.
- Never allow dye to come into contact with painted body panels or interior components. Clean immediately with the approved dye cleaner if dye is spilled. Fluorescent dye left on a surface for an extended period of time cannot be removed.
- Never spray the fluorescent dye cleaning agent on hot surfaces (engine exhaust manifold, etc.).
- Never use more than one refrigerant dye bottle [1/4 ounce (7.4 cc)] per A/C system.
- Leak detection dyes for HFC-134a (R-134a) and CFC-12 (R-12) A/C systems are different. Never use HFC-134a (R-134a) leak detection dye in CFC-12 (R-12) A/C system, or CFC-12 (R-12) leak detection dye in HFC-134a (R-134a) A/C system, or A/C system damage may result.
- The fluorescent properties of the dye remains for three or more years unless a compressor malfunction occurs.

### IDENTIFICATION

#### **NOTE:**

Vehicles with factory installed fluorescent dye have a green label.  
Vehicles without factory installed fluorescent dye have a blue label.

### IDENTIFICATION LABEL FOR VEHICLE

Vehicles with factory installed fluorescent dye have the identification label on the front side of hood.

# PREPARATION

< PREPARATION >

## PREPARATION

### PREPARATION

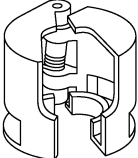

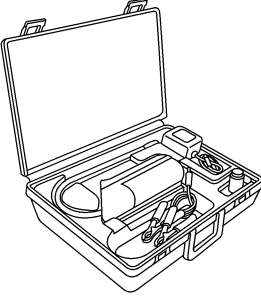
Special Service Tool (GT-R certified NISSAN dealer)

INFOID:000000011485850

The actual shapes of Kent-Moore tools may differ from those of special service tools illustrated here.

HFC-134a (R-134a) Service Tool and Equipment

- Never mix HFC-134a (R-134a) refrigerant and/or its specified lubricant with CFC-12 (R-12) refrigerant and/or its lubricant.
- Separate and non-interchangeable service equipment must be used for handling each type of refrigerant/lubricant.
- Refrigerant container fittings, service hose fittings and service equipment fittings (equipment which handles refrigerant and/or lubricant) are different between CFC-12 (R-12) and HFC-134a (R-134a). This is to avoid mixed use of the refrigerants/lubricant.
- Never use adapters that convert one size fitting to another: refrigerant/lubricant contamination occurs and compressor malfunction may result.

Tool number (Kent-Moore No.) Tool name	Description
<p>(J-45815) Disconnecter tool set</p>  <p>RJIA0391J</p>	<p>Disconnect one-touch joint connection</p>
<p>(ACR2005-NI) ACR5 A/C Service Center</p>  <p>WJIA0293E</p>	<p>Function: Refrigerant recovery, recycling and recharging</p>
<p>(J-41995) Electrical leak detector</p>  <p>AHA281A</p>	<p>Power supply: DC 12 V (Battery terminal)</p>

# PREPARATION

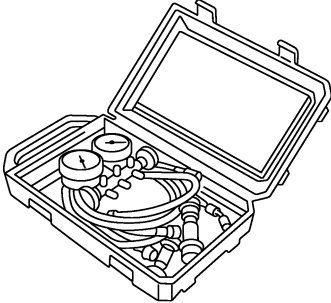
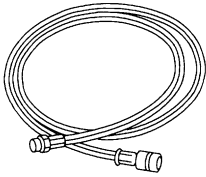
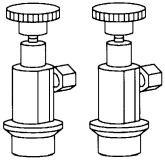
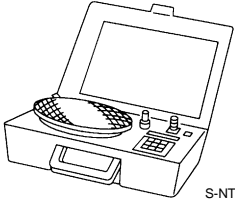
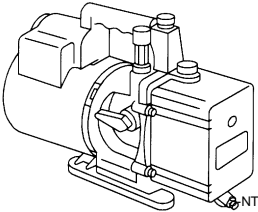
## < PREPARATION >

Tool number (Kent-Moore No.) Tool name	Description
<p>(J-43926) Refrigerant dye leak detection kit Kit includes: (J-42220) UV lamp and UV safety goggles (J-41459) HFC-134a (R-134a) dye injector Use with J-41447, 1/4 ounce bottle (J-41447) HFC-134a (R-134a) fluorescent leak detection dye (Box of 24, 1/4 ounce bottles) (J-43872) Refrigerant dye cleaner</p>	<p style="text-align: right;">Power supply: DC 12 V (Battery terminal)</p>
<p>(J-42220) UV lamp and UV safety goggles</p>	<p style="text-align: center;">SHA438F</p> <p style="text-align: right;">Power supply: DC 12 V (Battery terminal) For checking refrigerant leakage when fluorescent dye is equipped in A/C system Includes: UV lamp and UV safety goggles</p>
<p>(J-41447) HFC-134a (R-134a) fluorescent leak detection dye (Box of 24, 1/4 ounce bottles)</p>	<p style="text-align: center;">Refrigerant dye (24 bottles)</p> <p style="text-align: center;">SHA439F</p> <p style="text-align: right;">Application: For HFC-134a (R-134a) PAG oil Container: 1/4 ounce (7.4 cc) bottle (Includes self-adhesive dye identification labels for affixing to vehicle after charging system with dye.)</p>
<p>(J-41459) HFC-134a (R-134a) dye injector Use with J-41447, 1/4 ounce bottle</p>	<p style="text-align: center;">SHA440F</p> <p style="text-align: right;">For injecting 1/4 ounce of fluorescent leak detection dye into A/C system</p>
<p>(J-43872) Refrigerant dye cleaner</p>	<p style="text-align: center;">SHA441F</p> <p style="text-align: right;">For cleaning dye spills</p>



# PREPARATION

## < PREPARATION >

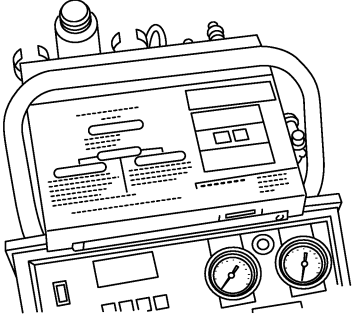
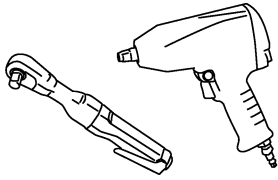
Tool number (Kent-Moore No.) Tool name	Description	A
<p>(J-39183) Manifold gauge set (with hoses and couplers)</p>  <p style="text-align: right; font-size: small;">RJIA0196E</p>	<p>Identification:</p> <ul style="list-style-type: none"> <li>The gauge face indicates HFC-134a (R-134a).</li> </ul> <p>Fitting size: Thread size</p> <ul style="list-style-type: none"> <li>1/2" -16 ACME</li> </ul>	B C D
<p>Service hoses</p> <ul style="list-style-type: none"> <li>High-pressure side hose (J-39501-72)</li> <li>Low-pressure side hose (J-39502-72)</li> <li>Utility hose (J-39476-72)</li> </ul>  <p style="text-align: right; font-size: small;">S-NT201</p>	<p>Hose color:</p> <ul style="list-style-type: none"> <li>Low-pressure side hose: Blue with black stripe</li> <li>High-pressure side hose: Red with black stripe</li> <li>Utility hose: Yellow with black stripe or green with black stripe</li> </ul> <p>Hose fitting to gauge:</p> <ul style="list-style-type: none"> <li>1/2" -16 ACME</li> </ul>	E F G
<p>Service couplers</p> <ul style="list-style-type: none"> <li>High-pressure side coupler (J-39500-20)</li> <li>Low-pressure side coupler (J-39500-24)</li> </ul>  <p style="text-align: right; font-size: small;">S-NT202</p>	<p>Hose fitting to service hose: M14 x 1.5 fitting is optional or permanently attached.</p>	H HA
<p>(J-39650) Refrigerant weight scale</p>  <p style="text-align: right; font-size: small;">S-NT200</p>	<p>For measuring of refrigerant</p> <p>Fitting size: Thread size</p> <p>1/2" -16 ACME</p>	J K L
<p>(J-39649) Vacuum pump (Including the isolator valve)</p>  <p style="text-align: right; font-size: small;">S-NT203</p>	<p>Capacity:</p> <ul style="list-style-type: none"> <li>Air displacement: 4 CFM</li> <li>Micron rating: 20 microns</li> <li>Oil capacity: 482 g (17 oz.)</li> </ul> <p>Fitting size: Thread size</p> <ul style="list-style-type: none"> <li>1/2" -16 ACME</li> </ul>	M N O P

# PREPARATION

< PREPARATION >

## Commercial Service Tool

INFOID:000000011485851

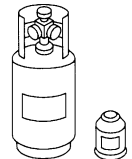

Tool name	Description
<p>Refrigerant identifier equipment</p>  <p style="text-align: right; font-size: small;">RJIA0197E</p>	<p>Checking for refrigerant purity and system contamination</p>
<p>Power tool</p>  <p style="text-align: right; font-size: small;">PBIC0190E</p>	<p>For loosening bolts and nuts</p>

## Sealant or/and Lubricant

INFOID:000000011485852

### HFC-134a (R-134a) Service Tool and Equipment

- Never mix HFC-134a (R-134a) refrigerant and/or its specified lubricant with CFC-12 (R-12) refrigerant and/or its lubricant.
- Separate and non-interchangeable service equipment must be used for handling each type of refrigerant/lubricant.
- Refrigerant container fittings, service hose fittings and service equipment fittings (equipment which handles refrigerant and/or lubricant) are different between CFC-12 (R-12) and HFC-134a (R-134a). This is to avoid mixed use of the refrigerants/lubricant.
- Never use adapters that convert one size fitting to another: refrigerant/lubricant contamination occurs and compressor malfunction may result.

Tool name	Description
<p>HFC-134a (R-134a) refrigerant</p>  <p style="text-align: right; font-size: small;">S-NT196</p>	<p>Container color: Light blue            Container marking: HFC-134a (R-134a)            Fitting size: Thread size</p> <ul style="list-style-type: none"> <li>• Large container 1/2" -16 ACME</li> </ul>
<p>NISSAN A/C System Oil Type S (DH-PS)</p>  <p style="text-align: right; font-size: small;">S-NT197</p>	<p>Type: Polyalkylene glycol oil (PAG), type S (DH-PS)            Application: HFC-134a (R-134a) swash plate compressors (NISSAN only)            Capacity: 40 mℓ (1.4 US fl oz., 1.4 Imp fl oz.)</p>

# REFRIGERANT

< PERIODIC MAINTENANCE >

## PERIODIC MAINTENANCE

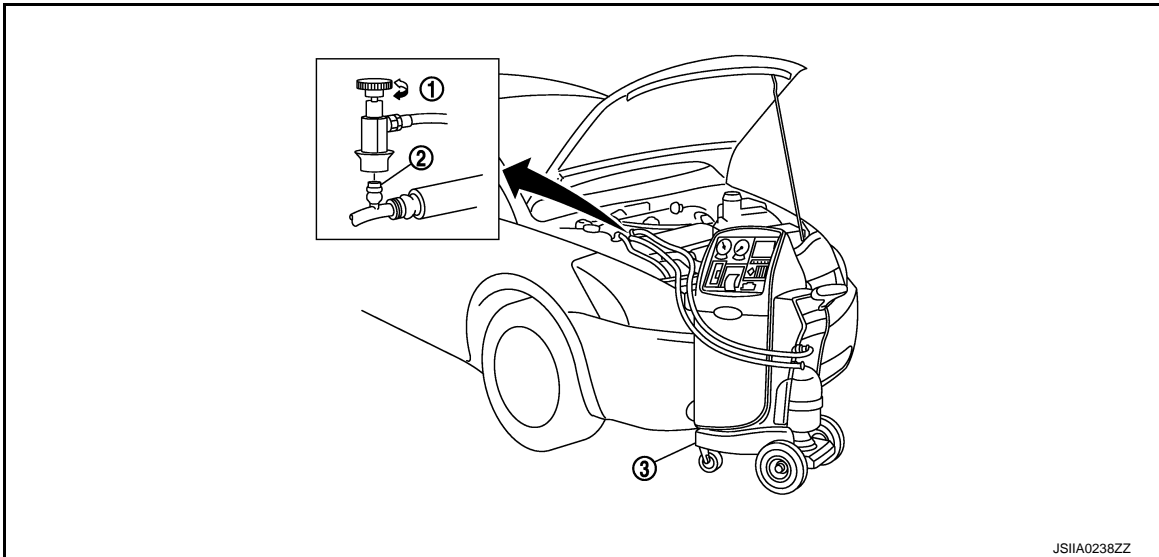
### REFRIGERANT

#### Collection and Charge

INFOID:000000011485853

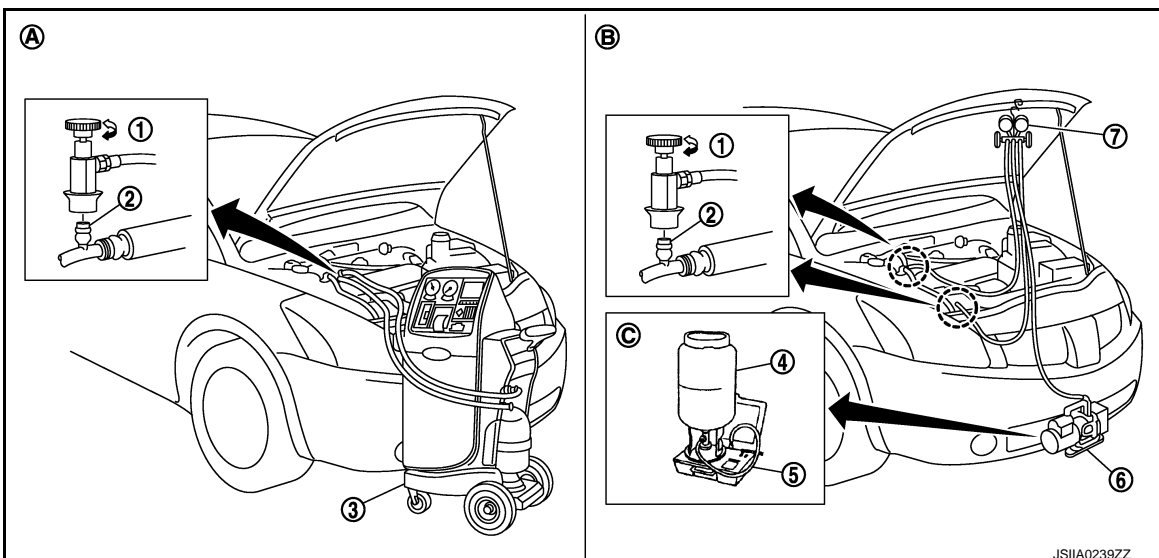
#### SETTING OF SERVICE TOOLS AND EQUIPMENT

##### Discharging Refrigerant



- 1. Shut-off valve
- 2. A/C service valve
- 3. Recovery/recycling recharging equipment

##### Evacuating System and Charging Refrigerant



- 1. Shut-off valve
- 2. A/C service valve
- 3. Recovery/recycling recharging equipment
- 4. Refrigerant container (HFC-134a)
- 5. Weight scale (J-39650)
- 6. Vacuum pump (J-39649)
- 7. Manifold gauge set (J-39183)
- A. Preferred (best) method
- B. Alternative method
- C. For charging

#### Procedure

A  
B  
C  
D  
E  
F  
G  
H  
HA  
J  
K  
L  
M  
N  
O  
P

# REFRIGERANT

< PERIODIC MAINTENANCE >

---

## **WARNING:**

Never breathe A/C refrigerant and lubricant vapor or mist. Exposure may irritate eyes, nose and throat. Remove HFC-134a (R-134a) from A/C system using certified service equipment meeting requirements of SAE J-2210 [HFC-134a (R-134a) recycling equipment] or J-2209 [HFC-134a (R-134a) recovery equipment]. Ventilate work area before resuming service if accidental system discharge occurs. Additional health and safety information may be obtained from refrigerant and lubricant manufacturers.

## 1. CHECK A/C SYSTEM

---

1. Check that A/C system operates normally. Refer to [HAC-7. "Description & Inspection"](#).
2. Check if there is a large amount of leakage of refrigerant or lubricant.

### **CAUTION:**

**Never perform the lubricant return operation if a large amount of leakage of lubricant is detected.**

Is the inspection result normal?

YES >> GO TO 2.

NO >> Check for refrigerant leakage. Refer to [HA-36. "Inspection"](#).

## 2. LUBRICANT RETURN OPERATION

---

1. Start the engine and run it as follows.
  - Engine speed: Idle – 1,200 rpm
  - A/C switch: ON
  - Fan speed: Maximum position
  - Set temperature: Full hot
  - Intake position: Recirculation (REC)
2. Perform lubricant return operation for approximately 10 minutes.
3. Stop the engine.

>> GO TO 3.

## 3. CHECK RECOVERY/RECYCLING RECHARGING EQUIPMENT

---

1. Operate recovery/recycling recharging equipment.

### **CAUTION:**

- Follow the instructions of the manufacturer for the handling or maintenance of the equipment.
- Never fill the equipment with undesignated refrigerant.

2. Check the gauge pressure of recovery/recycling recharging equipment.

Is there pressure?

YES >> GO TO 4.

NO >> GO TO 5.

## 4. DISCHARGE REFRIGERANT INSIDE PIPES

---

Discharge the refrigerant from the high-pressure hose and low-pressure hose of recovery/recycling recharging equipment.

>> GO TO 5.

## 5. CONNECT RECOVERY/RECYCLING RECHARGING EQUIPMENT

---

1. Remove the service valve caps from the vehicle.
2. Connect recovery/recycling recharging equipment to the service valves.

>> GO TO 6.

## 6. DISCHARGE REFRIGERANT FROM THE VEHICLE

---

Operate recovery/recycling recharging equipment to discharge the refrigerant from the vehicle.

>> GO TO 7.

## 7. REMOVE ANY REMAINING REFRIGERANT

---

# REFRIGERANT

## < PERIODIC MAINTENANCE >

Evacuate air for approximately 10 minutes or more to remove any remaining refrigerant integrated to the compressor oil, etc.

>> GO TO 8.

## 8. REPLACE OR REPAIR REFRIGERANT SYSTEM PARTS

1. Replace or repair the malfunctioning part.

**CAUTION:**

- Always use a new O-ring for the parts that the cooler system was removed.
- Apply compressor oil to the O-rings of piping when installing the piping. However, never apply it to the threads.

2. Adjust the compressor oil amount according to the replaced parts. Refer to [HA-31, "Description \(GT-R certified NISSAN dealer\)"](#).

>> GO TO 9.

## 9. EVACUATE AIR FROM THE REFRIGERANT SYSTEM

Evacuate air from the refrigerant system for approximately 25 minutes or more.

**CAUTION:**

Evacuate air for at least approximately 15 minutes or more if the parts are replaced.

>> GO TO 10.

## 10. CHECK AIRTIGHTNESS OF REFRIGERANT SYSTEM

Check the airtightness of the refrigerant system for approximately 25 minutes or more.

**CAUTION:**

Check the airtightness for at least approximately 15 minutes or more if the parts are replaced.

Does the pressure decrease?

YES >> GO TO 11.

NO >> GO TO 8.

## 11. CHECK REFRIGERANT LEAKAGE

1. Connect refrigerant recovery/recycling recharging equipment or manifold gauge set (SST: J-39183).

2. Charge the refrigerant of approximately 200 g (7.05 oz) to the refrigerant system.

3. Check for refrigerant leakage. Refer to [HA-36, "Inspection"](#).

**NOTE:**

When using electrical leak detector (SST: J-41995). Refer to [HA-37, "Inspection"](#).

Is the inspection result normal?

YES >> GO TO 12.

NO >> Repair or replace parts according to the inspection results.

## 12. CHARGE REFRIGERANT

1. Connect recovery/recycling recharging equipment or manifold gauge set (SST: J-39183).

2. Evacuate air again.

3. Charge the specified amount of refrigerant to the refrigerant system.

>> GO TO 13.

## 13. CHECK REFRIGERANT LEAKAGE

Check for refrigerant leakage again. Refer to [HA-36, "Inspection"](#).

**NOTE:**

When using electrical leak detector (SST: J-41995). Refer to [HA-37, "Inspection"](#).

Is the inspection result normal?

YES >> GO TO 14.

NO >> GO TO 6.

## 14. CHECK OPERATION

Check the A/C system for normal operation. Refer to [HA-34, "Inspection"](#).

## REFRIGERANT

< PERIODIC MAINTENANCE >

---

Is the inspection result normal?

YES >> GO TO 15.

NO >> Repair or replace parts according to the inspection results.

### **15.**CHECK RECOVERY/RECYCLING RECHARGING EQUIPMENT

---

1. Disconnect recovery/recycling recharging equipment or manifold gauge set (SST: J-39183).
2. Discharge the refrigerant from the high-pressure hose and low-pressure hose of the recovery/recycling recharging equipment.
3. Install the service valve caps.

>> INSPECTION END

# LUBRICANT

< PERIODIC MAINTENANCE >

## LUBRICANT

Description (GT-R certified NISSAN dealer)

INFOID:000000011485854

### MAINTENANCE OF LUBRICANT QUANTITY

The lubricant in the compressor circulates through the system with the refrigerant. Add lubricant to compressor when replacing any component or after a large refrigerant leakage occurred. It is important to maintain the specified amount.

The following malfunctions may result if lubricant quantity is not maintained normally:

- Lack of lubricant: May lead to a seized compressor.
- Excessive lubricant: Inadequate cooling (thermal exchange interference)

### LUBRICANT

**Name** : NISSAN A/C System Oil Type S

Adjustment (GT-R certified NISSAN dealer)

INFOID:000000011485855

### LUBRICANT RETURN OPERATION

Adjust the lubricant quantity according to the test group shown below.

#### 1. CHECK A/C SYSTEM

1. Check that A/C system operates normally. Refer to [HAC-7, "Description & Inspection"](#).
2. Check if there is a large amount of leakage of refrigerant or lubricant.

**CAUTION:**

**Never perform the lubricant return operation if a large amount of leakage of lubricant is detected.**

Is the inspection result normal?

YES >> GO TO 2.

NO >> Check for refrigerant leakage. Refer to [HA-36, "Inspection"](#).

#### 2. PERFORM LUBRICANT RETURN OPERATION

1. Start the engine, and run it as following.
  - Engine speed: Idle – 1,200 rpm
  - A/C switch: ON
  - Fan speed: Maximum position
  - Set temperature: Full hot
  - Intake position: Recirculation (REC)
2. Perform lubricant return operation for approximately 10 minutes.
3. Stop the engine.

>> GO TO 3.

#### 3. REPAIR OR REPLACE MALFUNCTIONING PART

1. Repair or replace the malfunctioning part.
2. Perform the lubricant adjustment depending on the replaced part.

Except compressor >> Refer to [HA-31, "Lubricant Adjusting Procedure for Components Replacement Except Compressor \(GT-R certified NISSAN dealer\)"](#).

Compressor >> Refer to [HA-32, "Lubricant Adjusting Procedure for Compressor Replacement \(GT-R certified NISSAN dealer\)"](#).

Lubricant Adjusting Procedure for Components Replacement Except Compressor (GT-R certified NISSAN dealer)

INFOID:000000011485856

Add the correct amount of lubricant to the system after replacing any of the following major components.  
Amount of lubricant to be added:

# LUBRICANT

## < PERIODIC MAINTENANCE >

Replaced part	Lubricant to be added to system	Remarks
	Amount of lubricant m ℓ (US fl oz., Imp fl oz.)	
Evaporator	75 (2.5, 2.6)	—
Condenser	35 (1.2, 1.2)	—
Liquid tank	10 (0.3, 0.4)	—
In case of refrigerant leakage	30 (1.0, 1.1)	Large leakage
	—	Small leakage *1

\*1: No addition of lubricant is needed if the refrigerant leakage is small.

## Lubricant Adjusting Procedure for Compressor Replacement (GT-R certified NISSAN dealer)

INFOID:000000011485857

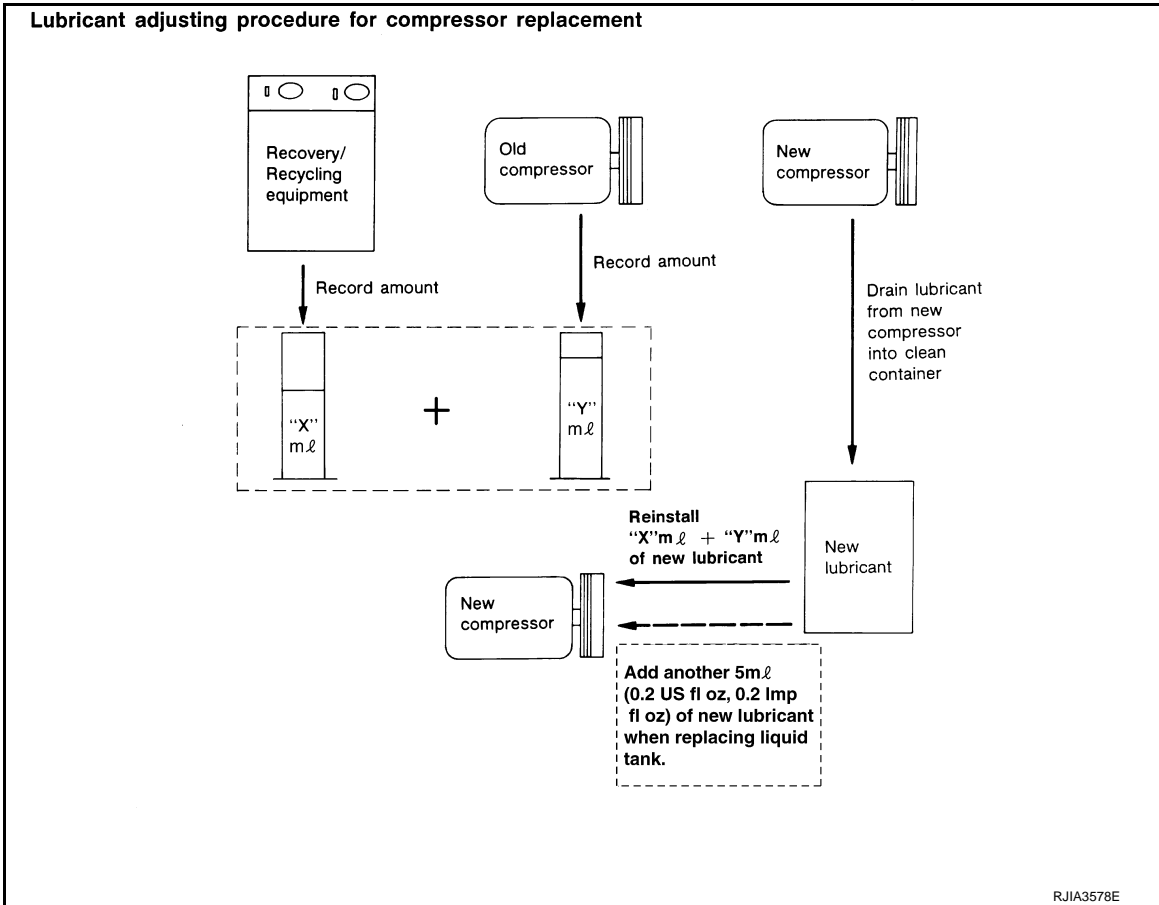
1. Check recovery/recycling recharging equipment gauges before connecting recovery/recycling recharging equipment to vehicle. No refrigerant pressure should be displayed. Recover refrigerant from equipment lines if NG.
2. Connect recovery/recycling recharging equipment to vehicle. Confirm refrigerant purity in supply tank using recovery/recycling recharging equipment and refrigerant identifier. Refer to [HA-13. "Working with HFC-134a \(R-134a\)"](#) if NG.
3. Confirm refrigerant purity in vehicle A/C system using recovery/recycling recharging equipment and refrigerant identifier. If NG, refer to [HA-13. "Working with HFC-134a \(R-134a\)"](#).
4. Discharge refrigerant into the recovery/recycling recharging equipment. Measure lubricant discharged into the recovery/recycling recharging equipment.
5. Drain the lubricant from the old (removed) compressor into a graduated container and recover the amount of lubricant drained.
6. Drain the lubricant from the new compressor into a separate. Then clean container.
7. Measure an amount of new lubricant installed equal to amount drained from old compressor. Add this lubricant to new compressor through the suction port opening.
8. Measure an amount of new lubricant equal to the amount recovered during discharging. Add this lubricant to new compressor through the suction port opening.
9. Add another 5 m ℓ (0.2 US fl oz., 0.2 Imp fl oz.) of lubricant at this time if the liquid tank also needs to be replaced.



# LUBRICANT

## < PERIODIC MAINTENANCE >

Do not add this 5 mℓ (0.2 US fl oz., 0.2 Imp fl oz.) of lubricant when replacing the compressor only.



A  
B  
C  
D  
E  
F  
G  
H  
HA  
J  
K  
L  
M  
N  
O  
P

# REFRIGERATION SYSTEM

< PERIODIC MAINTENANCE >

## REFRIGERATION SYSTEM

### Inspection

INFOID:000000011485858

#### 1. CHECK THE BLOWER MOTOR OPERATION

Check the blower motor operation. Refer to [HAC-63. "Component Function Check"](#).

Is the inspection result normal?

YES >> GO TO 2.

NO >> Repair or replace the parts according to the inspection results.

#### 2. CHECK COMPRESSOR OPERATION

Check compressor operation. Refer to [HAC-67. "Component Function Check"](#).

Is the inspection result normal?

YES >> GO TO 3.

NO >> Repair or replace the parts according to the inspection results.

#### 3. CHECK REFRIGERANT CYCLE PRESSURE

Connect recovery/recycling/recharging equipment to the vehicle and perform the diagnosis with the gauge pressure. Refer to [HA-8. "Trouble Diagnosis For Unusual Pressure"](#).

Is the inspection result normal?

YES >> Perform the performance test. Refer to [HA-34. "Performance Chart"](#).




NO >> Repair or replace the parts according to the inspection results.

### Performance Chart

INFOID:000000011485859

#### TEST CONDITION

Testing must be performed as per the following:

Vehicle condition	Indoors or in the shade (in a well-ventilated place)
Doors	Closed
Door windows	Open
Hood	Open
Temperature control switch or dial	Maximum cold
Mode switch	 (Ventilation) set
Intake switch	 (Recirculation) set
 Fan (blower) speed	Maximum speed set
Engine speed	Idle speed

Operate the air conditioning system for 10 minutes before taking measurements.

#### TEST READING

Recirculating-to-discharge Air Temperature Table

Inside air (Recirculating air) at blower assembly inlet		Discharge air temperature at center ventilator °C (°F)
Relative humidity %	Air temperature °C (°F)	
50 - 60	20 (68)	6.0 – 8.0 (43 – 46)
	25 (77)	8.4 – 10.9 (47 – 52)
	30 (86)	14.5 – 17.5 (58 – 64)
60 - 70	20 (68)	7.1 – 9.1 (45 – 48)
	25 (77)	10.9 – 13.4 (52 – 57)
	30 (86)	17.5 – 20.5 (64 – 69)

# REFRIGERATION SYSTEM

## < PERIODIC MAINTENANCE >

Ambient Air Temperature-to-operating Pressure Table

Ambient air		High-pressure (Discharge side) kPa (kg/cm <sup>2</sup> , psi)	Low-pressure (Suction side) kPa (kg/cm <sup>2</sup> , psi)
Relative humidity %	Air temperature °C (°F)		
50 - 70	25 (77)	1,204 – 1,471 (12.3 – 15.0, 174.6 – 213.3)	171 – 209 (1.7 – 2.1, 24.8 – 30.3)
	30 (86)	1,300 – 1,590 (13.3 – 16.2, 188.5 – 230.6)	196 – 240 (2.0 – 2.4, 28.4 – 34.8)
	35 (95)	1,500 – 1,820 (15.3 – 18.6, 217.5 – 263.9)	229 – 280 (2.3 – 2.9, 33.2 – 40.6)
	40 (104)	1,870 – 2,285 (19.1 – 23.3, 271.2 – 331.3)	292 – 357 (3.0 – 3.6, 42.3 – 51.8)

### Refrigerant Leakages

INFOID:000000011485860

Perform a visual inspection of all refrigeration parts, fittings, hoses and components for signs of A/C lubricant leakage, damage and corrosion. A/C lubricant leakage may indicate an area of refrigerant leakage. Allow extra inspection time in these areas when using either an electrical leak detector or fluorescent dye leak detector [refrigerant dye leak detection kit (SST: J-43926)].

Confirm the leakage with an electrical leak detector if dye is observed. It is possible a prior leakage was repaired and not properly cleaned.

If a leakage is found but continue checking for additional leakages at all system components and connections when searching for leakages.

Move the probe along the suspected leakage area at 1 to 2 inches per second and no further than 1/4 inch from the component when searching for refrigerant leakages using an electrical leak detector.

**NOTE:**

Moving the electrical leak detector probe slower and closer to the suspected leakage area improves the chances of finding a leakage.

A  
B  
C  
D  
E  
F  
G  
H  
J  
K  
L  
M  
N  
O  
P

HA

# FLUORESCENT LEAK DETECTOR

< PERIODIC MAINTENANCE >

## FLUORESCENT LEAK DETECTOR

### Inspection

INFOID:000000011485861

#### CHECKING SYSTEM FOR LEAKAGES USING THE FLUORESCENT LEAK DETECTOR

1. Check A/C system for leakages using the UV lamp and safety goggles (SST: J-42220) in a low sunlight area (area without windows preferable). Illuminate all components, fittings and lines. The dye appears as a bright green/yellow area at the point of leakage. Fluorescent dye observed at the evaporator drain opening indicates an evaporator core assembly (tubes, core or expansion valve) leakage.
2. Use an adjustable mirror or wipe the area with a clean shop rag or cloth, with the UV lamp for dye residue if the suspected area is difficult to see.
3. Remove any residual dye using dye cleaner (SST: J-43872) to prevent future misdiagnosis after the leakage is repaired.
4. Perform a system performance check and verify the leakage repair with an approved electrical leak detector.

#### NOTE:

Other gases in the work area or substances on the A/C components, for example, anti-freeze, windshield washer fluid, solvents and lubricants, may falsely trigger the leak detector. Make sure the surfaces to be checked are clean.

Clean with a dry cloth or blow off with shop air.

Do not allow the sensor tip of the detector to contact with any substance. This may also cause false readings and may damage the detector.

#### DYE INJECTION

(This procedure is only necessary when recharging the system or when the compressor has seized and was replaced.)

1. Check A/C system static (at rest) pressure. Pressure must be at least 345 kPa (3.52 kg/cm<sup>2</sup>, 50 psi).
2. Pour one bottle [1/4 ounce (7.4 cc)] of the A/C refrigerant dye into the injector tool (SST: J-41459).
3. Connect the injector tool to the A/C low-pressure side service valve.
4. Start the engine. Then A/C switch ON.
5. Inject one bottle [1/4 ounce (7.4 cc)] of fluorescent dye through the low-pressure service valve using dye injector tool (SST: J-41459) (refer to the manufacture's operating instructions) when the A/C operating (compressor running).
6. Disconnect the injector tool from the service valve with the engine still running.

#### CAUTION:

**Be careful when replacing the A/C system or a component, pour the dye directly into the open system connection and proceed with the service procedures.**

7. Operate the A/C system for a minimum of 20 minutes to mix the dye with the system oil. Depending on the leakage size, operating conditions and location of the leakage, it may take from minutes to days for the dye to penetrate a leakage and become visible.
8. Attach a blue label if necessary.

# ELECTRICAL LEAK DETECTOR

< PERIODIC MAINTENANCE >

## ELECTRICAL LEAK DETECTOR

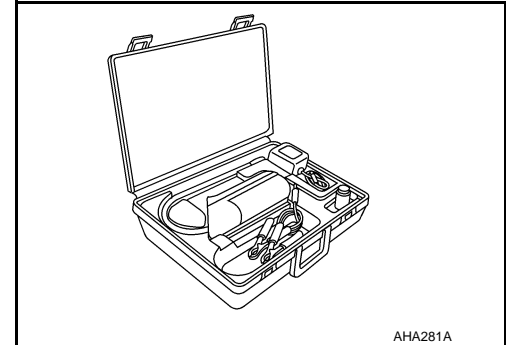
### Inspection

INFOID:000000011485862

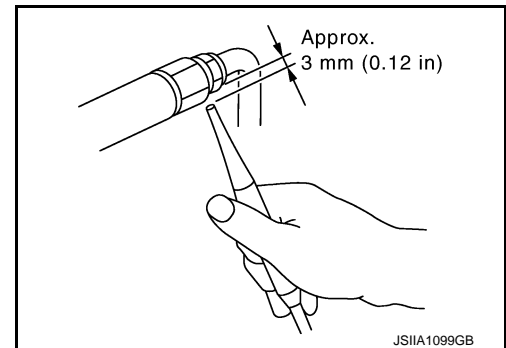
#### PRECAUTIONS FOR HANDLING LEAK DETECTOR

Use an electrical leak detector (SST: J-41995) or equivalent when performing a refrigerant leakage check. Ensure that the instrument is calibrated and set properly per the operating instructions.

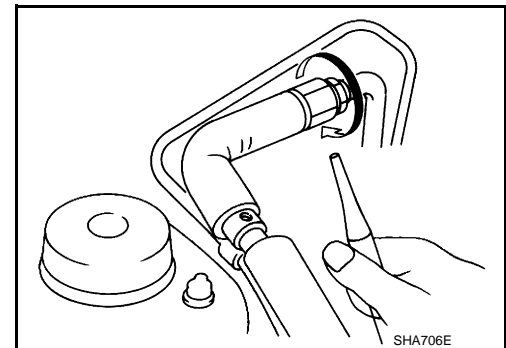
The leak detector is a delicate device. Read the operating instructions and perform any specified maintenance for using the leak detector properly.



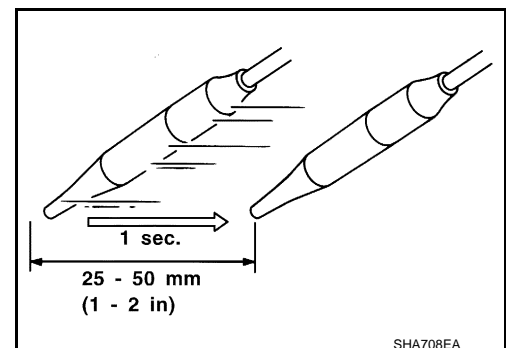
1. Position probe approximately 3 mm (0.12 in) away from point to be checked.



2. Circle each fitting completely with probe when testing.



3. Move probe along component approximately 25 to 50 mm (1 to 2 in)/sec.



#### CHECKING PROCEDURE

Check that there is no refrigerant vapor, shop chemicals, or cigarette smoke in the vicinity of the vehicle to prevent inaccurate or false readings. Perform the leakage test in calm area (low air/wind movement) so that the leaking refrigerant is not dispersed.

1. Stop the engine.

A  
B  
C  
D  
E  
F  
G  
H  
HA  
J  
K  
L  
M  
N  
O  
P

# ELECTRICAL LEAK DETECTOR

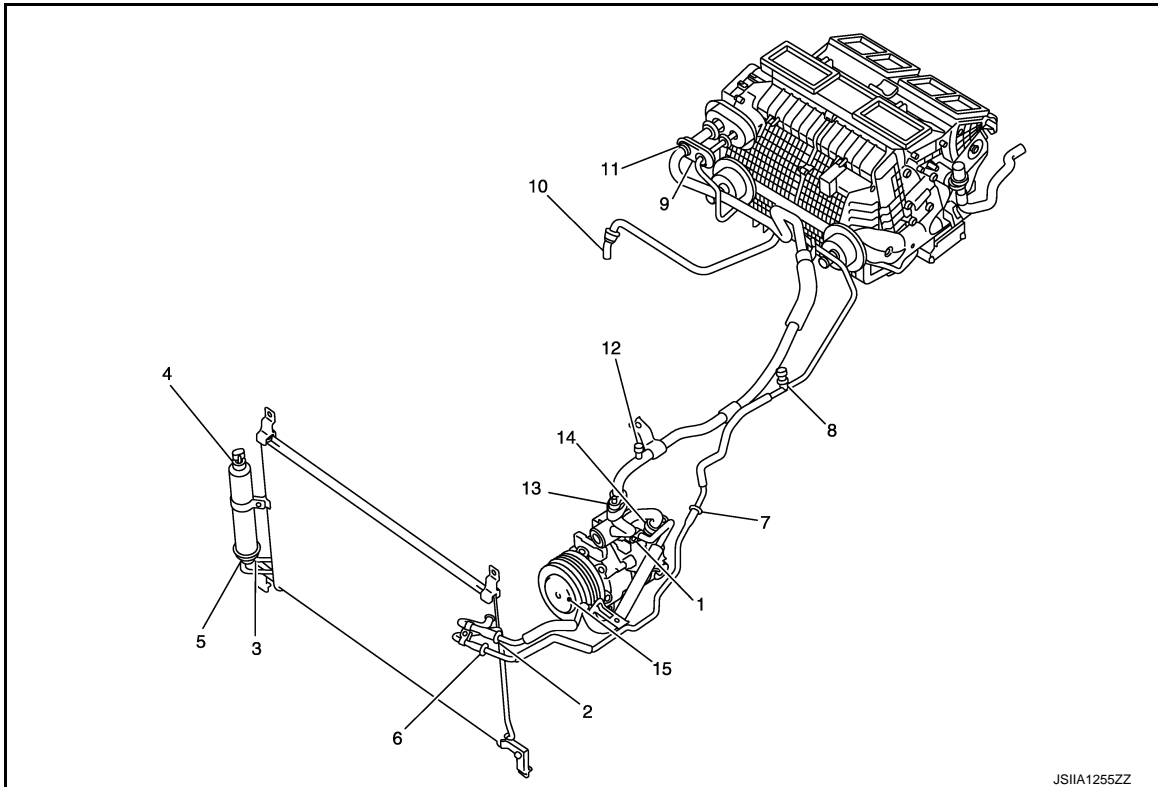
## < PERIODIC MAINTENANCE >

2. Connect a suitable manifold gauge set (SST: J-39183) to the A/C service valves.
3. Check if the A/C refrigerant pressure is at least 345 kPa (3.52 kg/cm<sup>2</sup>, 50 psi) above 16°C (61°F). Recover/evacuate and recharge the system with the specified amount of refrigerant if less than specification.

### NOTE:

Leakages may not be detected since the system may not reach 345 kPa (3.52 kg/cm<sup>2</sup>, 50 psi) at temperatures below 16°C (61°F).

4. Perform the leakage test in the numerical as shown in the figure. [high-pressure side (compressor discharge “1” to evaporator inlet “9”) to low-pressure side (evaporator drain hose “10” to shaft seal “15”)]  
Clean the component to be checked and move the leakage detected probe completely around the connection/component.



### NOTE:

Check the following carefully.

#### Service valves

- Check all around the service valves. Ensure service valve caps are secured on the service valves (to prevent leakages).
- Wipe any residue from valves to prevent any false readings by leak detector after removing manifold gauge set (SST: J-39183) from service valves.

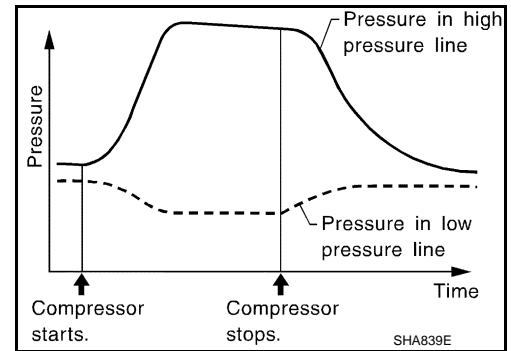
#### Cooling unit (Evaporator)

- Turn blower fan on “High” for at least 15 seconds to dissipate any refrigerant trace in the cooling unit with engine OFF.
  - Wait a minimum of 10 minutes accumulation time (refer to the manufacturer’s recommended procedure for actual wait time) before inserting the leak detector probe into the drain hose.
  - Keep the probe inserted for at least 10 seconds. Use caution not to contaminate the probe tip with water or dirt that may be in the drain hose.
5. Verify at least once by blowing compressed air into area of suspected leakage, then repeat check as outlined above if a leak detector detects a leakage.
  6. If a leakage is found, but continue checking for additional leakages at all system components. When leakages are not found, go to next step.
  7. Start the engine.
  8. Set the A/C control as per the following;
    - a. A/C switch: ON
    - b. Air flow: VENT

# ELECTRICAL LEAK DETECTOR

## < PERIODIC MAINTENANCE >

- c. Intake door position: REC
- d. Temperature setting: Maximum cold
- e. Fan speed: High
9. Run engine at 1,500 rpm for at least 2 minutes.
10. Stop the engine and perform leakage check again, steps 4 – 6. Refrigerant leakages should be checked immediately after stopping the engine. Begin with the leak detector at the compressor. The pressure on the high-pressure side drops gradually after refrigerant circulation stops and pressure on the low-pressure side rises gradually, as shown in the graph. Some leakages are more easily detected when pressure is high.



11. Check recovery/recycling recharging equipment gauges before connecting recovery/recycling recharging equipment to vehicle. No refrigerant pressure should be displayed. Recover refrigerant from equipment lines if pressure is displayed, and then check refrigerant purity.
12. Confirm refrigerant purity in supply tank using recovery/recycling recharging equipment and refrigerant identifier.
13. Confirm refrigerant purity in vehicle A/C system using recovery/recycling recharging equipment and refrigerant identifier.
14. Discharge A/C system using approved refrigerant recovery equipment. Repair the leaking fitting or component if necessary.
15. Evacuate and recharge A/C system and perform the leakage test to confirm no refrigerant leakages.
16. Perform A/C performance test to ensure system works normally.

# COMPRESSOR

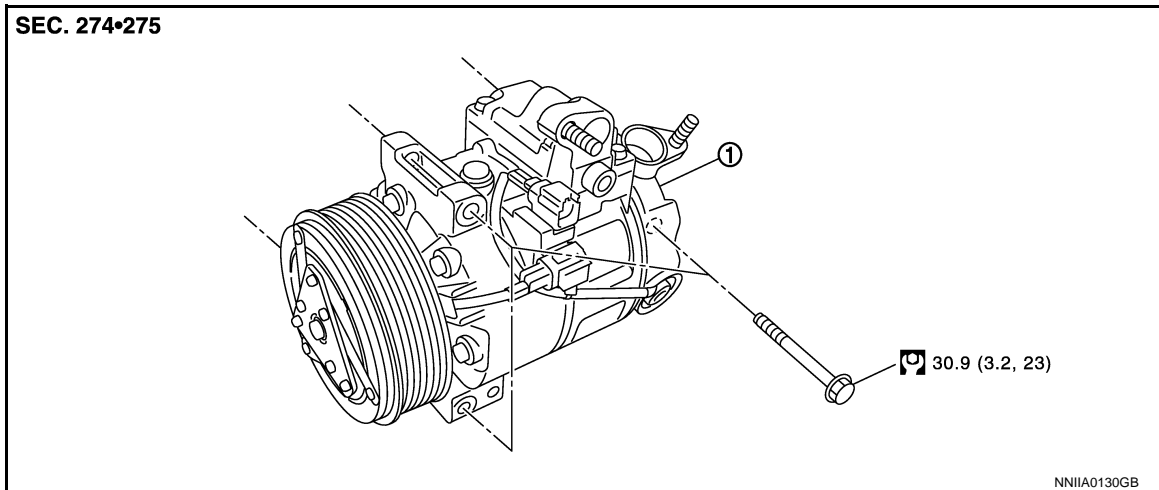
< REMOVAL AND INSTALLATION >

## REMOVAL AND INSTALLATION

### COMPRESSOR

Exploded View (GT-R certified NISSAN dealer)

INFOID:000000011485863



1. Compressor

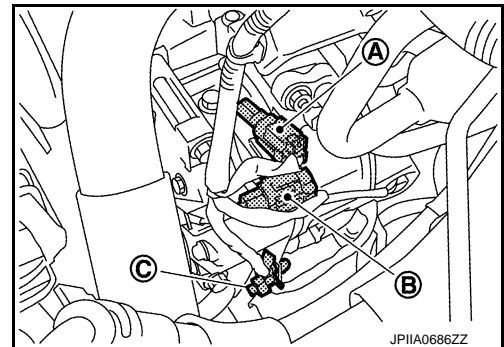
Refer to [GI-4, "Components"](#) for symbols in the figure.

### Removal and Installation (GT-R certified NISSAN dealer)

INFOID:000000011485864

#### REMOVAL

1. Use a refrigerant collecting equipment (for HFC-134a) to discharge the refrigerant.
2. Remove air cleaner case (bank 2) and air duct (bank 2). Refer to [EM-28, "Exploded View"](#).
3. Remove engine undercover. Refer to [EXT-37, "ENGINE UNDER COVER : Exploded View"](#).
4. Remove drive belt. Refer to [EM-15, "Exploded View"](#).
5. Disconnect ECV connector (A).
6. Disconnect magnet clutch connector (B).
7. Remove harness clip (C).



8. Remove mounting bolt of low-pressure flexible hose bracket (front side).
9. Remove mounting nut of low-pressure flexible hose, and then disconnect low-pressure flexible hose from low-pressure pipe 2.  
**CAUTION:**  
Cap or wrap the joint of the cooler piping with suitable material such as vinyl tape to avoid the entry of air.
10. Remove mounting bolt of high-pressure flexible hose bracket.
11. Remove mounting nut of high-pressure flexible hose, and then remove high-pressure flexible hose from compressor.

**CAUTION:**



# COMPRESSOR

## < REMOVAL AND INSTALLATION >

Cap or wrap the joint of the cooler piping and compressor with suitable material such as vinyl tape to avoid the entry of air.

12. Remove air inlet hose (bank 2) and air inlet pipe (bank 2). Refer to [EM-30, "Exploded View"](#).
13. Remove mounting bolts of compressor, and then remove compressor together with low-pressure pipe 2 upward of vehicle.
14. Remove mounting nut of low-pressure pipe 2, and then remove low-pressure pipe 2 from compressor.

**CAUTION:**

Cap or wrap the joint of the cooler piping and compressor with suitable material such as vinyl tape to avoid the entry of air.

## INSTALLATION

Installation is basically the reverse order of removal.

**CAUTION:**

- Replace O-rings with new ones. Then apply compressor oil to them when installing.
- Check for leakages when recharging refrigerant.
- Check tension of the drive belt after installing compressor. Refer to [EM-15, "Checking"](#).
- Tighten each lock nut of cooler pipe and hose to the specified torque. Refer to [HA-42, "Exploded View \(GT-R certified NISSAN dealer\)"](#).

Inspection (GT-R certified NISSAN dealer)

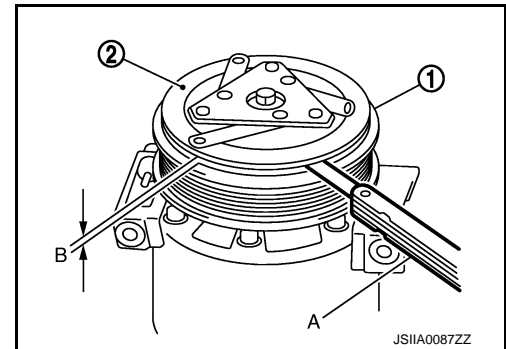
INFOID:000000011485865

## CHECK DISC TO PULLEY CLEARANCE

Check the clearance (B) between pulley assembly (1) and clutch disc (2) along the entire periphery with a feeler gauge (A).

**Clearance** : Refer to [HA-57, "Compressor \(GT-R certified NISSAN dealer\)"](#).

Replace compressor if specified clearance is not obtained.





# COOLER PIPE AND HOSE

## < REMOVAL AND INSTALLATION >

6. Remove mounting bolt of high-pressure flexible hose bracket.
7. Remove mounting nut of high-pressure flexible hose, and then remove high-pressure flexible hose.

### **CAUTION:**

Cap or wrap the joint of the cooler piping and compressor with suitable material such as vinyl tape to avoid the entry of air.

## INSTALLATION

Installation is basically the reverse order of removal.

### **CAUTION:**

- Replace O-rings with new ones. Then apply compressor oil to them when installing.
- Female-side piping connection is thin and easy to deform. Slowly insert the male-side piping straight in axial direction.
- Insert piping securely until a click is heard.
- After piping connection is completed, pull male-side piping by hand to make sure that connection does not come loose.
- Check for leakages when recharging refrigerant.

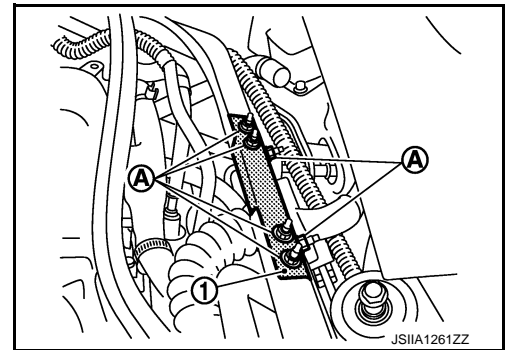
## LOW-PRESSURE FLEXIBLE HOSE

### LOW-PRESSURE FLEXIBLE HOSE : Removal and Installation (GT-R certified NISSAN dealer)

INFOID:000000011485868

## REMOVAL

1. Remove high-pressure pipe 2. Refer to [HA-42, "Exploded View \(GT-R certified NISSAN dealer\)"](#).
2. Remove mounting nuts (A), and then remove cowl top reinforcement (1).



3. Remove low-pressure flexible hose.

## INSTALLATION

Installation is basically the reverse order of removal.

### **CAUTION:**

- Replace O-rings with new ones. Then apply compressor oil to them when installing.
- Female-side piping connection is thin and easy to deform. Slowly insert the male-side piping straight in axial direction.
- Insert piping securely until a click is heard.
- After piping connection is completed, pull male-side piping by hand to make sure that connection does not come loose.
- Check for leakages when recharging refrigerant.

## HIGH-PRESSURE PIPE 1

### HIGH-PRESSURE PIPE 1 : Removal and Installation (GT-R certified NISSAN dealer)

INFOID:000000011485869

## REMOVAL

1. Use a refrigerant collecting equipment (for HFC-134a) to discharge the refrigerant.
2. Remove air cleaner case (bank 2) and air duct (bank 2). Refer to [EM-28, "Exploded View"](#).
3. Remove radiator cover. Refer to [DLK-221, "Exploded View \(GT-R certified NISSAN dealer\)"](#).
4. Remove air guide bracket (LH). Refer to [DLK-221, "Exploded View \(GT-R certified NISSAN dealer\)"](#).

## COOLER PIPE AND HOSE

### < REMOVAL AND INSTALLATION >

5. Disconnect one-touch joint between high-pressure pipe 1 and condenser with disconnecter (SST: 9253089908).

**CAUTION:**

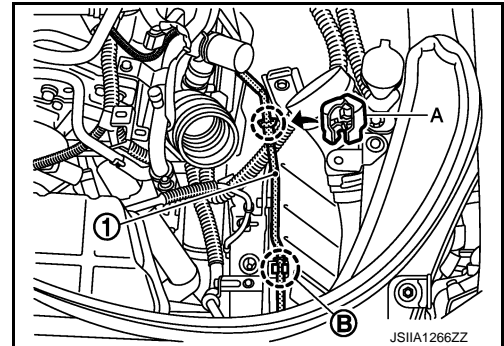
Cap or wrap the joint of the cooler piping with suitable material such as vinyl tape to avoid the entry of air.

6. Disconnect one-touch joint between high-pressure pipe 1 (1) and high-pressure pipe 2 with disconnecter (A) (SST: 9253089908).

**CAUTION:**

Cap or wrap the joint of the cooler piping with suitable material such as vinyl tape to avoid the entry of air.

7. Remove high-pressure pipe 1 from vehicle clip (B), and then remove high-pressure pipe 1.



### INSTALLATION

Installation is basically the reverse order of removal.

**CAUTION:**

- Replace O-rings with new ones. Then apply compressor oil to them when installing.
- Female-side piping connection is thin and easy to deform. Slowly insert the male-side piping straight in axial direction.
- Insert piping securely until a click is heard.
- After piping connection is completed, pull male-side piping by hand to make sure that connection does not come loose.
- Check for leakages when recharging refrigerant.

### HIGH-PRESSURE PIPE 2

### HIGH-PRESSURE PIPE 2 : Removal and Installation (GT-R certified NISSAN dealer)

INFOID:000000011485870

### REMOVAL

1. Use a refrigerant collecting equipment (for HFC-134a) to discharge the refrigerant.
2. Remove engine cover. Refer to [EM-26, "Exploded View"](#).
3. Remove air cleaner case (bank 2) and air duct (bank 2). Refer to [EM-28, "Exploded View"](#).
4. Remove cowl top cover. Refer to [EXT-28, "Exploded View"](#).
5. Remove air pump hose. Refer to [EM-33, "Exploded View \(GT-R certified NISSAN dealer\)"](#).
6. Remove mounting bolts of low-pressure flexible hose bracket.
7. Remove mounting nut of low-pressure flexible hose, and then disconnect low-pressure flexible hose from low-pressure pipe 2.

**CAUTION:**

Cap or wrap the joint of the cooler piping with suitable material such as vinyl tape to avoid the entry of air.

8. Disconnect vacuum hose from balance tube. Refer to [EM-35, "Exploded View"](#).
9. Disconnect one-touch joint between low-pressure flexible hose and low-pressure pipe 1 with disconnecter (SST: 9253089916).

**CAUTION:**

Cap or wrap the joint of the cooler piping with suitable material such as vinyl tape to avoid the entry of air.

10. Disconnect one-touch joint between high-pressure pipe 2 and high-pressure pipe 3 with disconnecter (SST: 9253089908).

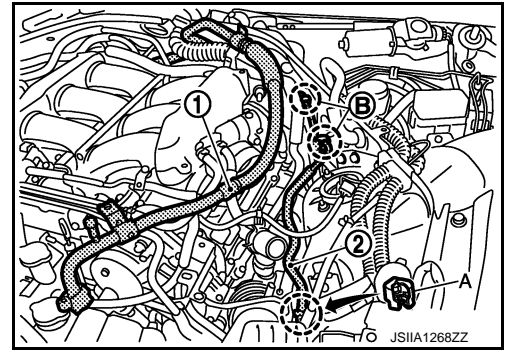
**CAUTION:**

Cap or wrap the joint of the cooler piping with suitable material such as vinyl tape to avoid the entry of air.

# COOLER PIPE AND HOSE

## < REMOVAL AND INSTALLATION >

11. Low -pressure flexible hose (1) to the position without the hindrance for work.
12. Disconnect one-touch joint between high-pressure pipe 2 (2) and high-pressure pipe 1 with disconnecter (A) (SST: 9253089908).
13. Remove high-pressure pipe 2 from vehicle clip (B), and then remove high-pressure pipe 2.



## INSTALLATION

Installation is basically the reverse order of removal.

### CAUTION:

- Replace O-rings with new ones. Then apply compressor oil to them when installing.
- Female-side piping connection is thin and easy to deform. Slowly insert the male-side piping straight in axial direction.
- Insert piping securely until a click is heard.
- After piping connection is completed, pull male-side piping by hand to make sure that connection does not come loose.
- Check for leakages when recharging refrigerant.

## LOW-PRESSURE PIPE 2

### LOW-PRESSURE PIPE 2 : Removal and Installation (GT-R certified NISSAN dealer)

INFOID:000000011485871

## REMOVAL

1. Remove compressor together with low-pressure pipe 2. Refer to [HA-40. "Exploded View \(GT-R certified NISSAN dealer\)".](#)
2. Remove mounting nut of low-pressure pipe 2, and then remove low-pressure pipe 2 from compressor.

### CAUTION:

Cap or wrap the joint of the cooler piping and compressor with suitable material such as vinyl tape to avoid the entry of air.

## INSTALLATION

Installation is basically the reverse order of removal.

### CAUTION:

- Replace O-rings with new ones. Then apply compressor oil to them when installing.
- Female-side piping connection is thin and easy to deform. Slowly insert the male-side piping straight in axial direction.
- Insert piping securely until a click is heard.
- After piping connection is completed, pull male-side piping by hand to make sure that connection does not come loose.
- Check for leakages when recharging refrigerant.

## LOW-PRESSURE PIPE 1 AND HIGH-PRESSURE PIPE 3

### LOW-PRESSURE PIPE 1 AND HIGH-PRESSURE PIPE 3 : Removal and Installation (GT-R certified NISSAN dealer)

INFOID:000000011485872

## REMOVAL

1. Set the temperature at 18°C (60°F).
2. Disconnect the battery cable from the negative terminal.

### CAUTION:

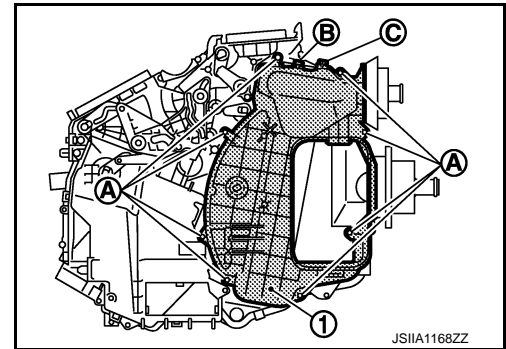
The angle may be out, when installing the air mix door motor to the air mix door, unless the above 2 procedures are performed.

3. Use a refrigerant collecting equipment (for HFC-134a) to discharge the refrigerant.
4. Remove cowl top cover. Refer to [EXT-28. "Exploded View".](#)

## COOLER PIPE AND HOSE

### < REMOVAL AND INSTALLATION >

5. Remove air pump hose from air pump pipe. Refer to [EM-33, "Exploded View \(GT-R certified NISSAN dealer\)"](#).
6. Disconnect one-touch joint between low-pressure flexible hose and low-pressure pipe 1 with disconnecter (SST: 9253089916).  
**CAUTION:**  
**Cap or wrap the joint of the cooler piping with suitable material such as vinyl tape to avoid the entry of air.**
7. Disconnect one-touch joints between high-pressure pipe 2 and high-pressure pipe 3 with disconnecter (SST: 9253089908).  
**CAUTION:**  
**Cap or wrap the joint of the cooler piping with suitable material such as vinyl tape to avoid the entry of air.**
8. Remove foot grille RH. Refer to [VTL-8, "Exploded View"](#).
9. Remove blower unit. Refer to [VTL-15, "Exploded View"](#).
10. Remove air mix door motor (passenger side). Refer to [HAC-103, "Exploded View"](#).
11. Remove mounting screws (A), and then remove evaporator cover (1).
12. Slide connector (B) to passenger side, and then remove connector from evaporator cover.
13. Slide connector (C) to driver side, and then remove connector from evaporator cover.



14. Remove mounting bolt of low-pressure pipe 1 and high-pressure pipe 3.
15. Remove low-pressure pipe 1 and high-pressure pipe 3.  
**CAUTION:**  
**Cap or wrap the joint of the cooler piping and expansion valve with suitable material such as vinyl tape to avoid the entry of air.**

### INSTALLATION

Installation is basically the reverse order of removal.

#### **CAUTION:**

- Replace O-rings with new ones. Then apply compressor oil to them when installing.
- Female-side piping connection is thin and easy to deform. Slowly insert the male-side piping straight in axial direction.
- Insert piping securely until a click is heard.
- After piping connection is completed, pull male-side piping by hand to make sure that connection does not come loose.
- Check for leakages when recharging refrigerant.

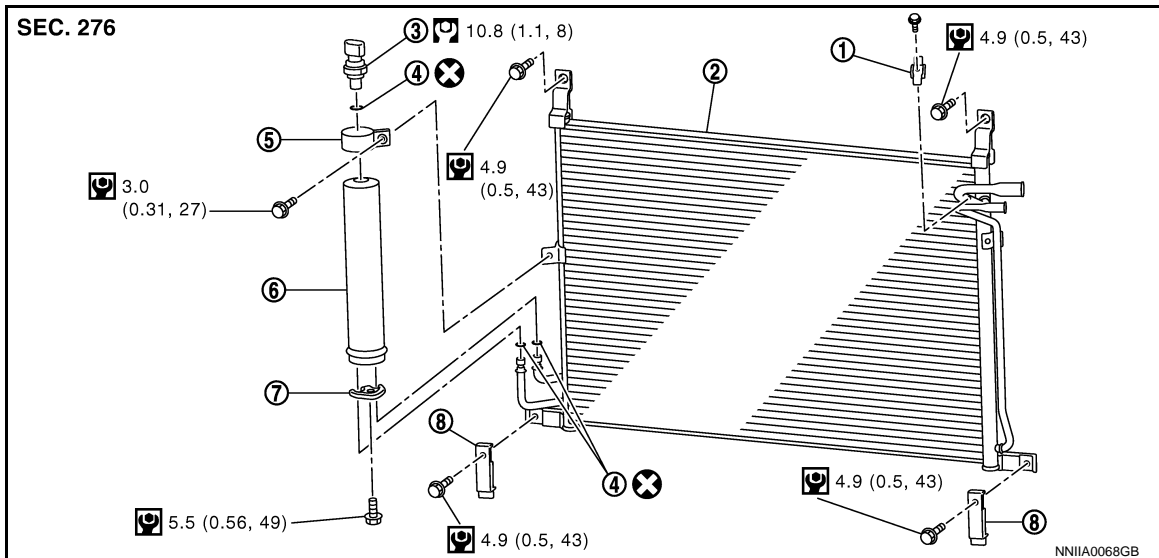
# CONDENSER

< REMOVAL AND INSTALLATION >

## CONDENSER

Exploded View (GT-R certified NISSAN dealer)

INFOID:000000011485873



- |            |                            |                                |
|------------|----------------------------|--------------------------------|
| 1. Clip    | 2. Condenser               | 3. Refrigerant pressure sensor |
| 4. O-ring  | 5. Liquid tank bracket     | 6. Liquid tank                 |
| 7. Bracket | 8. Condenser lower bracket |                                |

Refer to [GI-4, "Components"](#) for symbols in the figure.

## CONDENSER

CONDENSER : Removal and Installation (GT-R certified NISSAN dealer)

INFOID:000000011485874

### REMOVAL

1. Use a refrigerant collecting equipment (for HFC-134a) to discharge the refrigerant.
2. Remove air intake duct assembly 1 together with charge air cooler. Refer to [DLK-221, "Exploded View \(GT-R certified NISSAN dealer\)"](#).
3. Disconnect one-touch joint between high-pressure flexible hose and condenser with disconnecter (SST: 9253089912). Refer to [HA-42, "Exploded View \(GT-R certified NISSAN dealer\)"](#).
4. Disconnect one-touch joint between high-pressure pipe 1 and condenser with disconnecter (SST: 9253089908). Refer to [HA-42, "Exploded View \(GT-R certified NISSAN dealer\)"](#).
5. Remove mounting bolts (upper side), and then remove condenser.

### INSTALLATION

Installation is basically the reverse order of removal.

#### CAUTION:

- Replace O-rings with new ones. Then apply compressor oil to them when installing.
- Female-side piping connection is thin and easy to deform. Slowly insert the male-side piping straight in axial direction.
- Insert piping securely until a click is heard.
- After piping connection is completed, pull male-side piping by hand to make sure that connection does not come loose.
- Check for leakages when recharging refrigerant.

## LIQUID TANK

LIQUID TANK : Removal and Installation (GT-R certified NISSAN dealer)

INFOID:000000011485875

### REMOVAL

# CONDENSER

## < REMOVAL AND INSTALLATION >

1. Use a refrigerant collecting equipment (for HFC-134a) to discharge the refrigerant.
2. Remove air intake duct assembly 1 together with charge air cooler. Refer to [DLK-221, "Exploded View \(GT-R certified NISSAN dealer\)"](#).
3. Clean liquid tank and its surrounding area, and then remove dust and rust from liquid tank.  
**CAUTION:**  
**Be sure to clean carefully.**
4. Remove mounting bolts of liquid tank bracket.
5. Remove mounting bolts of liquid tank, and then remove liquid tank from condenser.  
**CAUTION:**  
**Cap or wrap the joint of the cooler piping and liquid tank with suitable material such as vinyl tape to avoid the entry of air.**

## INSTALLATION

Install liquid tank, and then install liquid tank bracket on condenser.

### **CAUTION:**

- Check that liquid tank bracket is securely installed at protrusion of condenser. (Check that liquid tank bracket does not move to a position below center of liquid tank.)
- Replace O-rings of the cooler piping with new ones. Then apply compressor oil to them when installing.
- Check for leakages when recharging refrigerant.

## REFRIGERANT PRESSURE SENSOR

### REFRIGERANT PRESSURE SENSOR : Removal and Installation (GT-R certified NISSAN dealer)

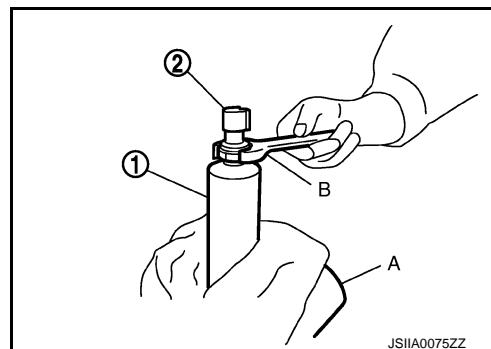
INFOID:000000011485876

## REMOVAL

1. Remove liquid tank. Refer to [HA-47, "Exploded View \(GT-R certified NISSAN dealer\)"](#).
2. Fix the liquid tank (1) with a vise (A). Remove the refrigerant pressure sensor (2) with a wrench (B).

### **CAUTION:**

**Be careful not to damage liquid tank.**



JSIIA0075ZZ

## INSTALLATION

Installation is basically the reverse order of removal.

### **CAUTION:**

- Replace O-ring with new one. Then apply compressor oil to them when installing.
- Check for leakages when recharging refrigerant.



# HEATER & COOLING UNIT ASSEMBLY

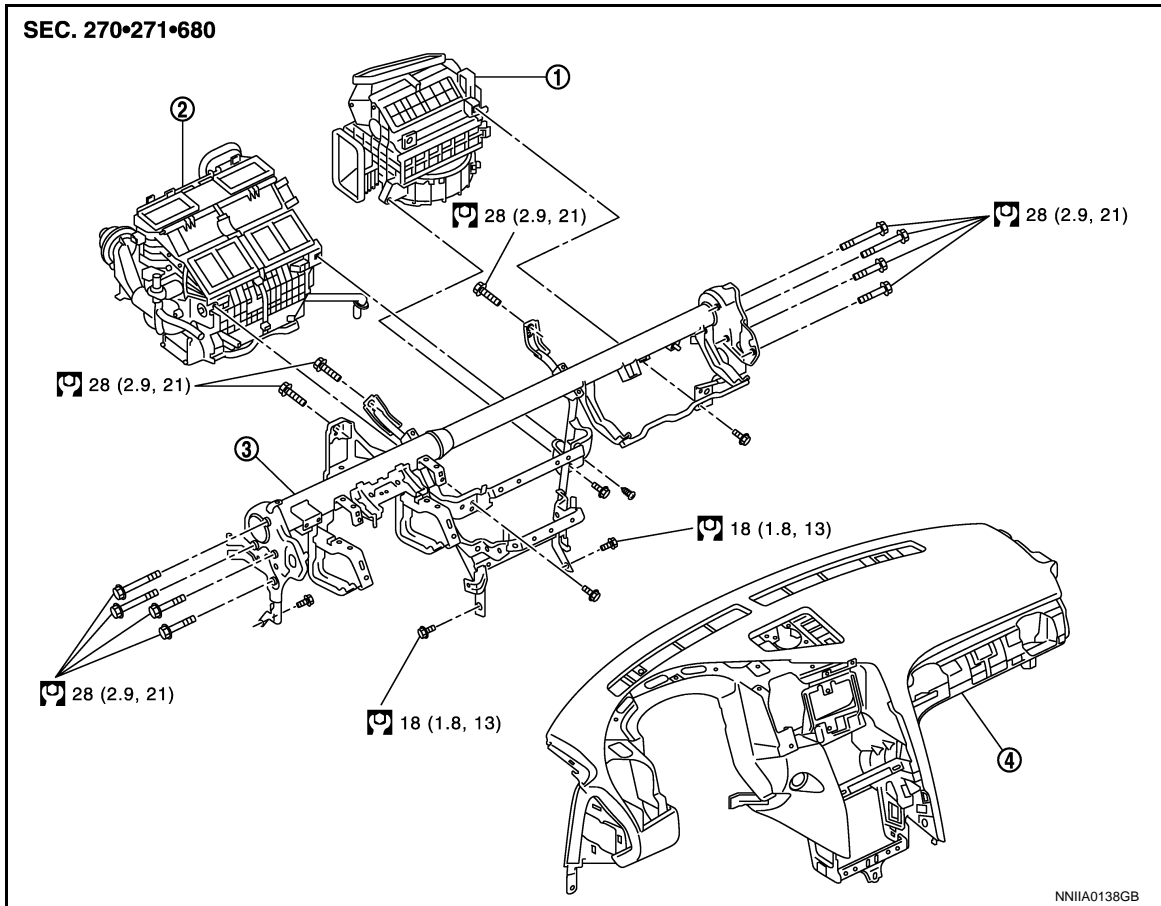
< REMOVAL AND INSTALLATION >

## HEATER & COOLING UNIT ASSEMBLY

Exploded View (GT-R certified NISSAN dealer)

INFOID:000000011485877

### REMOVAL



- 1. Blower unit
- 2. Heater & cooling unit assembly
- 3. Steering member
- 4. Instrument panel assembly

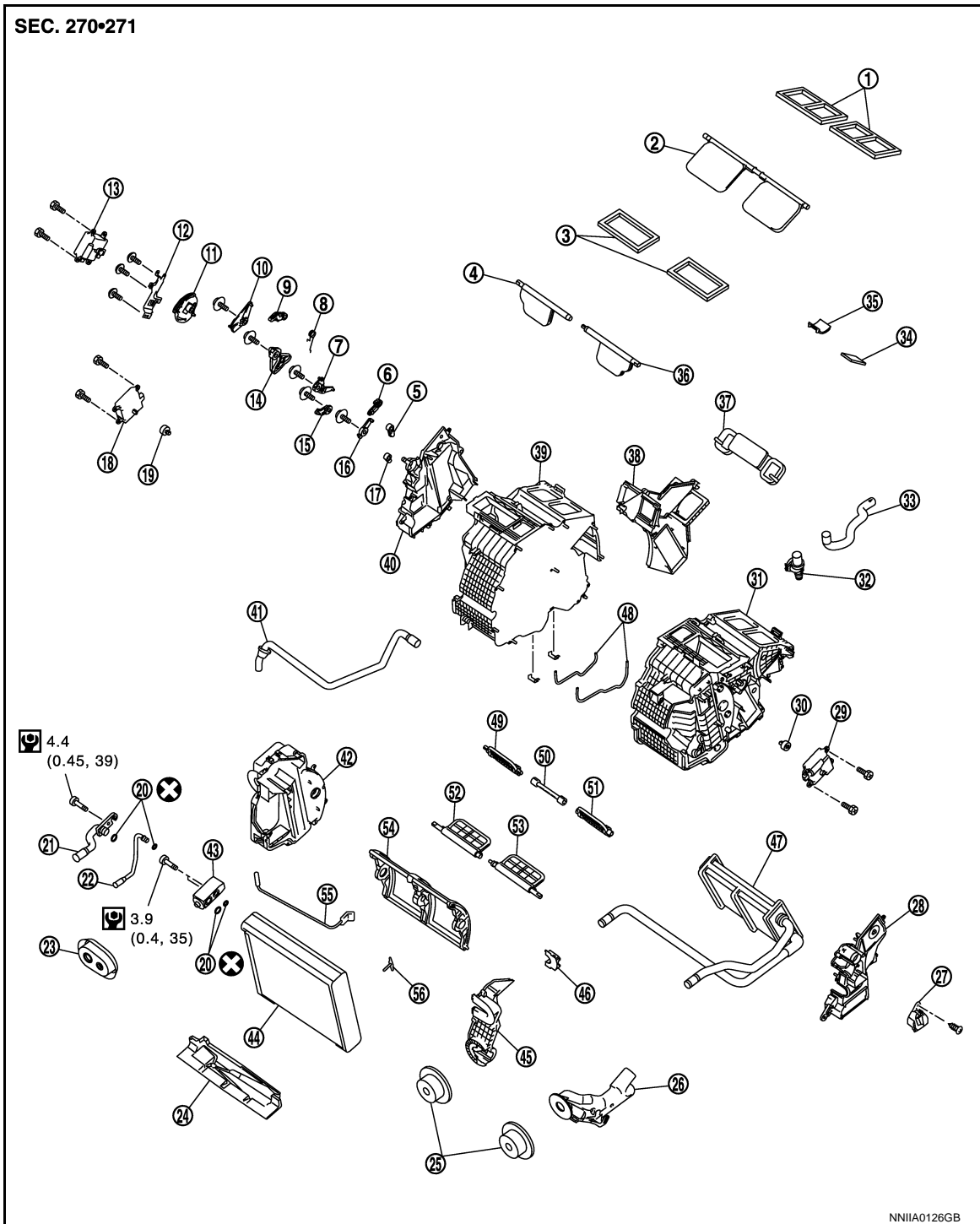
Refer to [GI-4. "Components"](#) for symbols in the figure.

### DISASSEMBLY

A  
B  
C  
D  
E  
F  
G  
H  
HA  
J  
K  
L  
M  
N  
O  
P

# HEATER & COOLING UNIT ASSEMBLY

< REMOVAL AND INSTALLATION >



- |                           |                                      |   |
|---------------------------|--------------------------------------|---|
| 1. Ventilator seal        | 2. Ventilator door                   | 3. Defroster seal                       |
| 4. Defroster door (right) | 5. Foot door lever                   | 6. Defroster door lever                 |
| 7. Foot door link         | 8. Ventilator door spring            | 9. Ventilator door lever                |
| 10. Ventilator door link  | 11. Main link                        | 12. Mode door motor bracket             |
| 13. Mode door motor       | 14. Main link sub                    | 15. Max. cool door link                 |
| 16. Defroster door link   | 17. Max. cool door lever             | 18. Air mix door motor (passenger side) |
| 19. Air mix door adapter  | 20. O-ring                           | 21. Low-pressure pipe 1                 |
| 22. High-pressure pipe 3  | 23. Cooler pipe grommet              | 24. Insulator                           |
| 25. Heater pipe grommet   | 26. Heater pipe cover                | 27. Heater duct                         |
| 28. Foot duct (left)      | 29. Air mix door motor (driver side) | 30. Air mix door adapter                |

# HEATER & COOLING UNIT ASSEMBLY

## < REMOVAL AND INSTALLATION >

- |                                       |                           |  |
|---------------------------------------|---------------------------|--|
| 31. Heater & cooling unit case (left) | 32. Aspirator             | 33. Aspirator hose                     |
| 34. Packing                           | 35. Packing               | 36. Defroster door (left)              |
| 37. Rear ventilator cover             | 38. Center case           | 39. Heater & cooling unit case (right) |
| 40. Foot duct (right)                 | 41. Drain hose            | 42. Evaporator cover                   |
| 43. Expansion valve                   | 44. Evaporator            | 45. Evaporator cover adapter           |
| 46. Heater pipe bracket               | 47. Heater core           | 48. Packing                            |
| 49. Foot door (right)                 | 50. Rear ventilator door  | 51. Foot door (left)                   |
| 52. Max. cool door (right)            | 53. Max. cool door (left) | 54. Air mix door (Slide door)          |
| 55. Intake sensor                     | 56. Intake sensor bracket |  |

Refer to [GI-4, "Components"](#) for symbols in the figure.

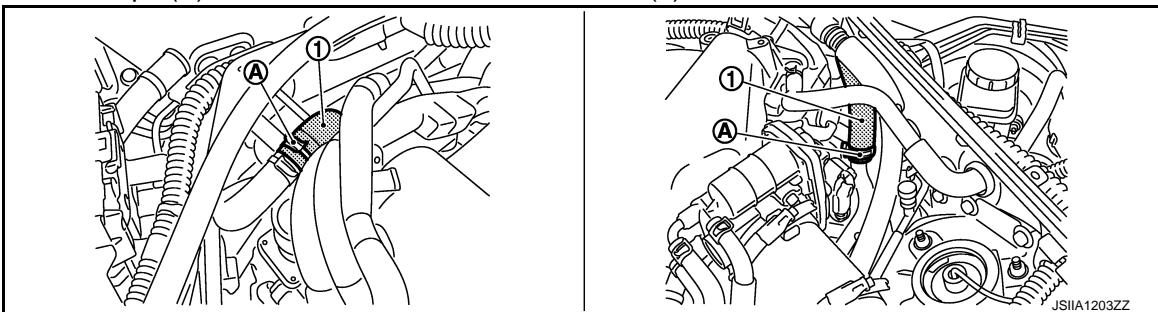
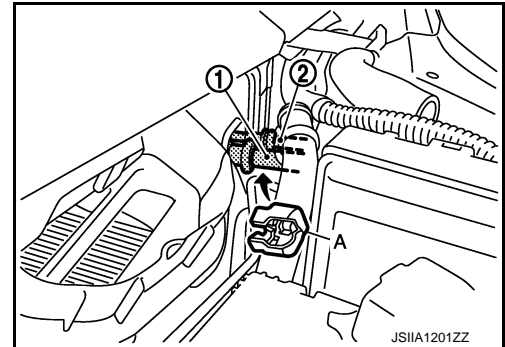
## HEATER & COOLING UNIT ASSEMBLY

### HEATER & COOLING UNIT ASSEMBLY : Removal and Installation (GT-R certified NISSAN dealer)

INFOID:000000011485878

#### REMOVAL

1. Use a refrigerant collecting equipment (for HFC-134a) to discharge the refrigerant.
2. Drain engine coolant from cooling system. Refer to [CO-10, "Draining"](#).
3. Remove cowl top cover. Refer to [EXT-28, "Exploded View"](#).
4. Remove engine cover. Refer to [EM-26, "Exploded View"](#).
5. Remove air pump hose from air pump pipe. Refer to [EM-33, "Exploded View \(GT-R certified NISSAN dealer\)"](#).
6. Disconnect one-touch joint between low-pressure pipe 1 (1) and low-pressure flexible hose with disconnecter (SST: 9253089916) (A).  
**CAUTION:**  
**Cap or wrap the joint of the cooler piping with suitable material such as vinyl tape to avoid the entry of air.**
7. Disconnect one-touch joint between high-pressure pipe 2 (2) and high-pressure pipe 3 with disconnecter (SST: 9253089908).  
**CAUTION:**  
**Cap or wrap the joint of the cooler piping with suitable material such as vinyl tape to avoid the entry of air.**
8. Disconnect drain hose from heater & cooling unit assembly.
9. Remove clamps (A), and then disconnect heater hoses (1).

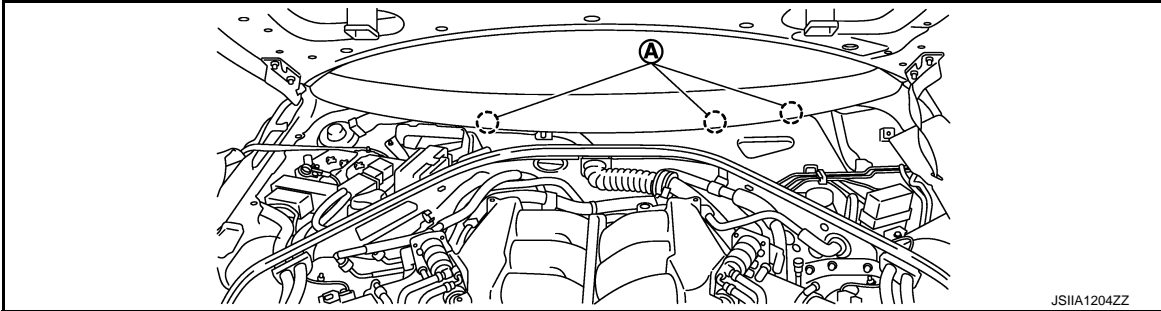


10. Remove front wiper drive assembly. Refer to [WW-102, "Exploded View"](#).

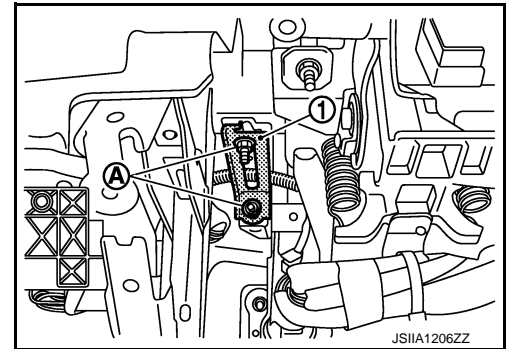
## HEATER & COOLING UNIT ASSEMBLY

### < REMOVAL AND INSTALLATION >

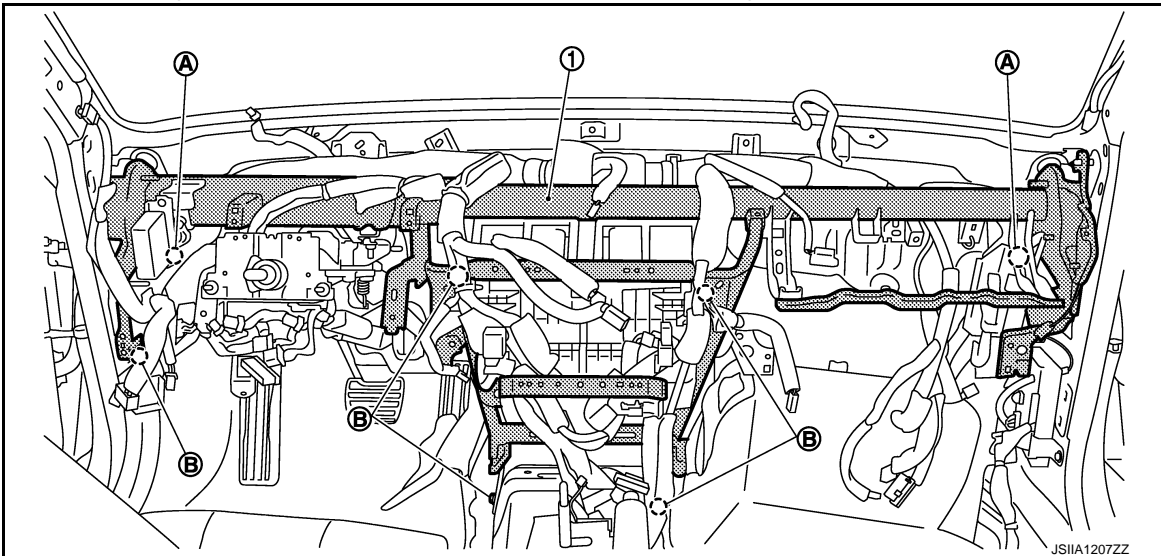
11. Remove steering member mounting bolts (A).



12. Remove instrument panel assembly. Refer to [IP-12, "Exploded View"](#).
13. Remove front defroster nozzle. Refer to [VTL-8, "Exploded View"](#).
14. Remove blower unit. Refer to [VTL-15, "Exploded View"](#).
15. Remove mounting bolt (A), and then remove brake pedal stay (1).



16. Remove mounting bolts (A), and then remove SMJ from steering member (1).

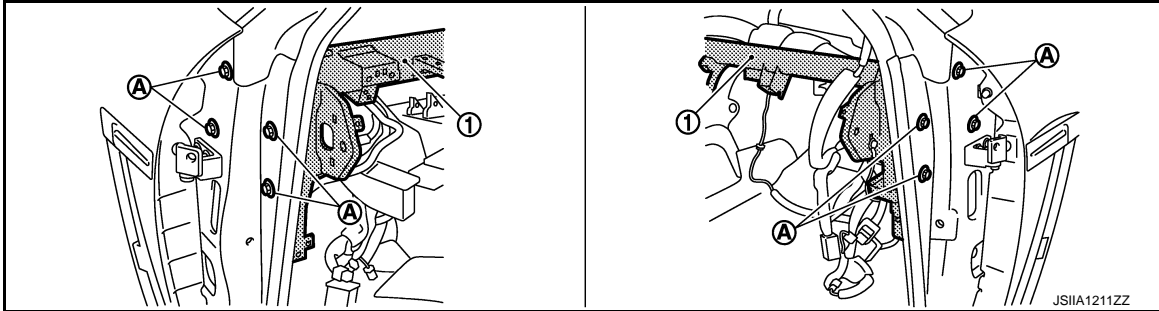


17. Remove mounting bolts (B) from steering member.
18. Remove Low tire pressure warning control unit. Refer to [WT-77, "Exploded View \(GT-R certified NISSAN dealer\)"](#).
19. Remove ground bolts from steering member.
20. Remove steering column from steering member, and the move steering column to the position without the hindrance for work. Refer to [ST-15, "Exploded View"](#).
21. Disconnect the harness connectors and clips required to remove the steering member, and the move the vehicle harness to the position without hindrance for work.
22. Remove door assembly LH and RH. Refer to [DLK-227, "DOOR ASSEMBLY : Exploded View"](#).

# HEATER & COOLING UNIT ASSEMBLY

## < REMOVAL AND INSTALLATION >

23. Remove mounting bolts (A) from steering member (1).



24. Remove steering member, and then remove heater & cooling unit assembly.

## INSTALLATION

Installation is basically the reverse order of removal.

### CAUTION:

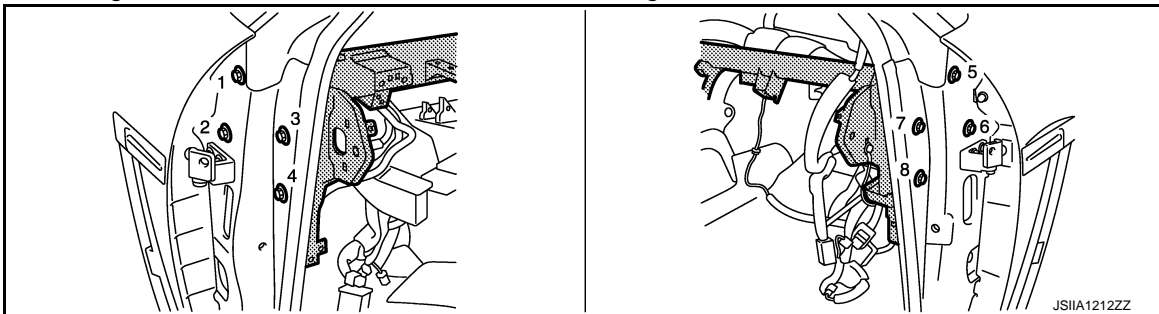
- Replace O-rings with new ones. Then apply compressor oil to them when installing.
- Female-side piping connection is thin and easy to deform. Slowly insert the male-side piping straight in axial direction.
- Insert piping securely until a clicks is heard.
- After piping connection is completed, pull male-side piping by hand to make sure that connection does not come loose.
- Check for leakages when recharging refrigerant.

### NOTE:

- Refer to [CO-10. "Refilling"](#) when filling radiator with engine coolant.
- Recharge the refrigerant.

## STEERING MEMBER

Tighten mounting bolts in numerical order as shown in the figure.



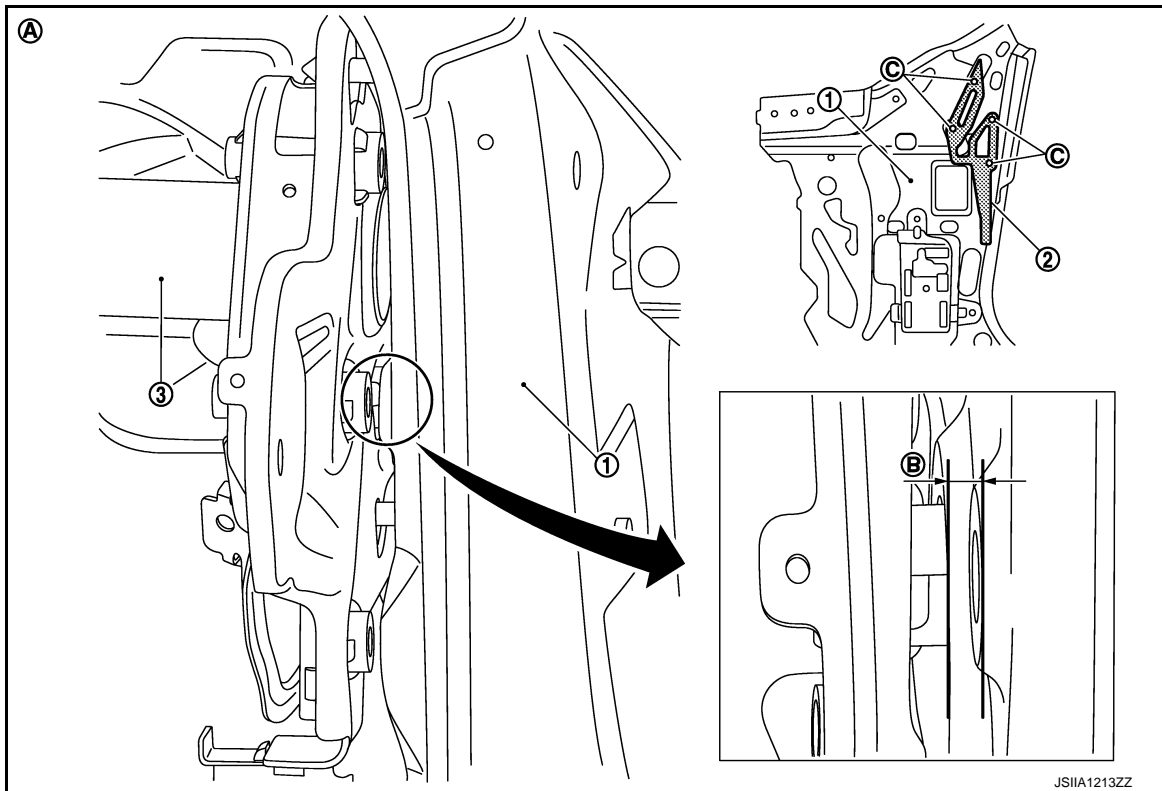
HEATER & COOLING UNIT ASSEMBLY : Inspection (GT-R certified NISSAN dealer)

INFOID:000000011485879

CHECK CLEARANCE BETWEEN BODY AND STEERING MEMBER

# HEATER & COOLING UNIT ASSEMBLY

## < REMOVAL AND INSTALLATION >



1. Upper rear hoodledge (RH)                      2. Shim    3. Steering member  
 A. Passenger side                                      B. Clearance                                      C. Measuring point

1. Tighten the driver side steering member mounting bolts to the specified torque. Refer to [HA-49, "Exploded View \(GT-R certified NISSAN dealer\)"](#).

**CAUTION:**

**Install the steering member with the shim assembled if the shim is installed between the upper rear hoodledge (RH) and steering member when removing the steering member.**

2. Measure the clearance between upper rear hoodledge (RH) and steering member using a feeler gauge.
  - Perform the measurement at the 4 measuring points.

**Standard : 0 – 0.6 mm**

- Select the shim from the table below so that the clearance is within the standard if it is outside the standard. Then, install it between upper rear hoodledge (RH) and steering member.

Measuring result (mm)	Shim thickness (mm)	Shim part number
0.7 – 1.2	0.6	31438 JF00A
1.3 – 1.6	1.2	31438 JF00B
1.7 – 2.3	1.6	31438 JF00C
2.4 – 3.4	2.3	31438 JF00D

3. Install the passenger side steering member mounting bolts after checking that the values are within the standard.

## HEATER CORE

### HEATER CORE : Removal and Installation (GT-R certified NISSAN dealer) INFOID:0000000011485880

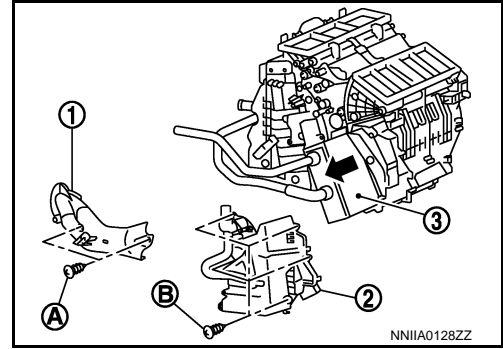
#### REMOVAL

1. Remove heater & cooling unit assembly. Refer to [HA-49, "Exploded View \(GT-R certified NISSAN dealer\)"](#).

# HEATER & COOLING UNIT ASSEMBLY

## < REMOVAL AND INSTALLATION >

2. Remove heater pipe bracket and heater pipe grommet.
3. Remove mounting screws (A), and then remove heater pipe cover (1).
4. Remove mounting screws (B), and then remove foot duct (left) (2).
5. Slide heater core (3) to leftward (as shown in the figure).



## INSTALLATION

Installation is basically the reverse order of removal.

### NOTE:

Refer to [CO-10, "Refilling"](#) when filling radiator with engine coolant.

## EVAPORATOR

EVAPORATOR : Removal and Installation (GT-R certified NISSAN dealer) INFOID:000000011485881

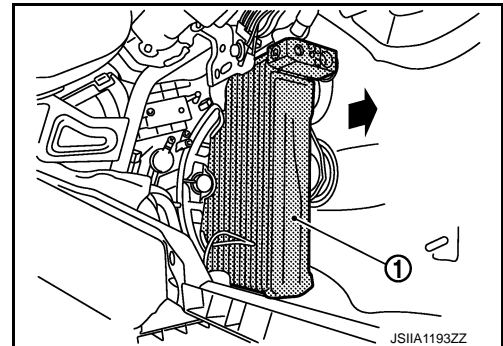
## REMOVAL

1. Remove low-pressure pipe 1 and high-pressure pipe 3. Refer to [HA-42, "Exploded View \(GT-R certified NISSAN dealer\)"](#).

### CAUTION:

Cap or wrap the joint of the A/C piping and expansion valve with suitable material such as vinyl tape to avoid the entry of air.

2. Disconnect intake sensor connector.
3. Slide evaporator (1) to passenger side, and then remove evaporator from heater & cooling unit assembly.



4. Remove intake sensor from evaporator.
  5. Remove mounting bolts of expansion valve, and then remove expansion valve from evaporator.
- CAUTION:**  
Cap or wrap the joint of evaporator and expansion valve with suitable material such as vinyl tape to avoid the entry of air.

## INSTALLATION

Installation is basically the reverse order of removal.

### CAUTION:

- Replace O-rings with new ones. Then apply compressor oil to them when installing.
- Female-side piping connection is thin and easy to deform. Slowly insert the male-side piping straight in axial direction.
- Insert piping securely until a click is heard.
- After piping connection is completed, pull male-side piping by hand to make sure that connection does not come loose.
- Mark the mounting position of intake sensor bracket prior to removal so that the reinstalled sensor can be located in the same position.
- Check for leakages when recharging refrigerant.

# HEATER & COOLING UNIT ASSEMBLY

< REMOVAL AND INSTALLATION >

---

## EXPANSION VALVE

EXPANSION VALVE : Removal and Installation (GT-R certified NISSAN dealer)

INFOID:000000011485882

### REMOVAL

1. Remove low-pressure pipe 1 and high-pressure pipe 3. Refer to [HA-42, "Exploded View \(GT-R certified NISSAN dealer\)"](#).
2. Remove mounting bolts of expansion valve, and then remove expansion valve from evaporator.

**CAUTION:**

**Cap or wrap the joint of evaporator and expansion valve with suitable material such as vinyl tape to avoid the entry of air.**

### INSTALLATION

Installation is basically the reverse order of removal.

**CAUTION:**

- Replace O-rings with new ones. Then apply compressor oil to them when installing.
- Female-side piping connection is thin and easy to deform. Slowly insert the male-side piping straight in axial direction.
- Insert piping securely until a click is heard.
- After piping connection is completed, pull male-side piping by hand to make sure that connection does not come loose.
- Check for leakages when recharging refrigerant.



## SERVICE DATA AND SPECIFICATIONS (SDS)

< SERVICE DATA AND SPECIFICATIONS (SDS)

# SERVICE DATA AND SPECIFICATIONS (SDS)

## SERVICE DATA AND SPECIFICATIONS (SDS)

Compressor (GT-R certified NISSAN dealer)

INFOID:0000000011485883

Model	VALEO THERMAL SYSTEMS JAPAN make DCS-17EC	
Type	Variable displacement swash plate	
Displacement cm <sup>3</sup> (cu in)/rev	Maximum	171 (10.4)
Cylinder bore × stroke (Maximum) mm (in)	32 (1.26) × 30.5 (1.20)	
Direction of rotation	Clockwise (viewed from clutch)	
Drive belt	Poly V	
Disc to pulley clearance mm (in)	Standard	0.3 – 0.6 (0.012 – 0.024)

Lubricant (GT-R certified NISSAN dealer)

INFOID:0000000011485884

Name	NISSAN A/C System Oil Type S (DH-PS)	
Capacity m ℓ (US fl oz, Imp fl oz)	Total in system	150 (5.07, 5.3)
	Compressor (service part) charging amount	150 (5.07, 5.3)

Refrigerant (GT-R certified NISSAN dealer)

INFOID:0000000011485885

Type	HFC-134a (R-134a)	
Capacity kg (lb)	0.5 (1.1)	

Engine Idling Speed (GT-R certified NISSAN dealer)

INFOID:0000000011485886

Refer to [EC-640, "Idle Speed"](#).

Belt Tension (GT-R certified NISSAN dealer)

INFOID:0000000011485887

Refer to [EM-140, "Drive Belt \(GT-R certified NISSAN dealer\)"](#).