

SECTION **HRN**
HORN

A
B
C
D
E
F
G
H
I
J
K
M
N
O
P

CONTENTS

DTC/CIRCUIT DIAGNOSIS	2	Precaution for Battery Service	6
HORN	2	Precautions for Removing Battery Terminal	6
Wiring Diagram - HORN -	2	REMOVAL AND INSTALLATION	7
PRECAUTION	6	HORN	7
PRECAUTIONS	6	Exploded View	7
Precaution for Supplemental Restraint System (SRS) "AIR BAG" and "SEAT BELT PRE-TEN- SIONER"	6	Removal and Installation	7

HRN

HORN

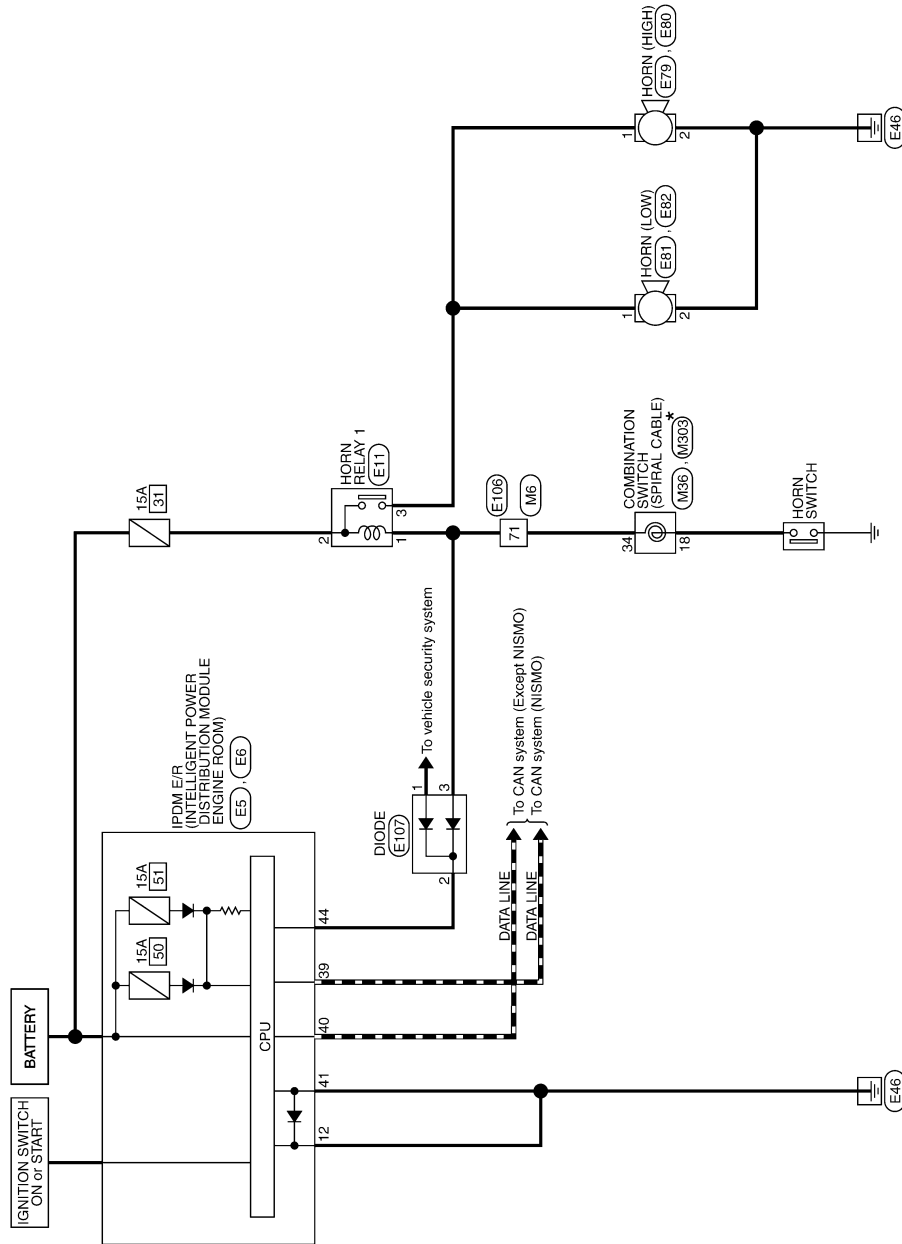
< DTC/CIRCUIT DIAGNOSIS >

DTC/CIRCUIT DIAGNOSIS

HORN

Wiring Diagram - HORN -

INFOID:000000011485607



*: This connector is not shown in "Harness Layout".

HORN

2014/10/01

JRLWE4780GB

HORN

< DTC/CIRCUIT DIAGNOSIS >

HORN

Connector No.	E5
Connector Name	POWER INTELLIGENT POWER DISTRIBUTION MODULE (ENGINE ROOM)
Connector Type	TH80FW-CS12-M4-1V



Terminal No.	Color Of Wire	Signal Name [Specification]
4	V	-
5	Y	-
6	Y	-
7	R	-
10	W	-
11	SB	-
12	BW	-
13	R	-
16	LG	-
25	BG	-
27	Y	-
28	G	-
30	GR	-
32	L	-
33	P	-
36	LG	-

Connector No.	E5
Connector Name	POWER INTELLIGENT POWER DISTRIBUTION MODULE (ENGINE ROOM)
Connector Type	TH88FW-NH



Terminal No.	Color Of Wire	Signal Name [Specification]
39	P	-
40	L	-
41	BY	-

42	G	-
43	SB	-
44	W	-
46	BG	-

Connector No.	E11
Connector Name	HORN RELAY 1
Connector Type	Relay_24381_7590A



Terminal No.	Color Of Wire	Signal Name [Specification]
1	LG	-
2	P	-
3	G	-

Connector No.	E79
Connector Name	HORN (HIGH)
Connector Type	P0TFBA



Terminal Color Of No.	Wire	Signal Name [Specification]
1	G	-

Connector No.	E80
Connector Name	HORN (HIGH)
Connector Type	P0TFBA



Terminal Color Of No.	Wire	Signal Name [Specification]
2	B	-

Connector No.	E81
Connector Name	HORN (LOW)
Connector Type	P0TFBA



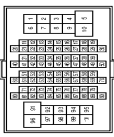
Terminal Color Of No.	Wire	Signal Name [Specification]
1	G	-

Connector No.	E82
Connector Name	HORN (LOW)
Connector Type	P0TFBA



Terminal Color Of No.	Wire	Signal Name [Specification]
2	B	-

Connector No.	E106
Connector Name	WIRE TO WIRE
Connector Type	TH80FW-CS16-TM4



Terminal No.	Color Of Wire	Signal Name [Specification]
1	V	-
3	BG	-
4	BG	-
5	R	-
6	P	-
7	BG	-
8	P	-
9	W	-
10	Y	-
11	SB	-
12	BG	-
13	P	-
14	L	-
15	SB	-
16	BG	-
17	SHIELD	-
18	L	-
19	P	-
20	B	-
21	Y	-
22	V	-
23	Y	-
24	V	-
25	BR	-
26	L	-
27	SHIELD	-
28	G	-
29	R	-
30	W	-
31	V	-

A
B
C
D
E
F
G
H
I
J
K

HRN

M
N
O
P

JRLWE4781GB

HORN

< DTC/CIRCUIT DIAGNOSIS >

Terminal No.	Color Of Wire	Signal Name [Specification]
32	G	-
33	GR	-
34	P	-
35	LG	-
36	G	-
37	Y	-
38	SB	-
39	GR	-
40	G	-
41	V	-
42	V	-
43	L	-
44	BR	-
45	G	-
46	SB	-
47	LG	-
48	BR	-
49	W	-
50	Y	-
51	SHIELD	-
60	P	-
61	L	-
62	SB	-
63	R	-
64	G	-
65	Y	-
66	P	-
67	W	-
68	V	-
69	L	-
70	Y	-
71	G	-
72	BR	-
73	LG	-
74	G	-
75	GR	-
76	LG	-
77	V	-
78	BR	-
79	W	-
80	Y	-
81	GR	-
82	BR	-
83	R	-
84	P	-
85	P	-
86	GR	-
87	R	-
88	L	-
89	BR	-
90	G	-
91	GR	-
92	R	-
93	R	-
94	LG	-
95	G	-
96	GR	-
97	L	-
98	LG	-
99	BR	-
100	L	-

Terminal No.	Color Of Wire	Signal Name [Specification]
19	P	-
20	B	-
21	W	-
22	GR	-
23	L	-
24	V	-
25	BR	-
26	G	-
27	SHIELD	-
28	G	-
29	R	-
30	W	-
31	V	-
32	G	-
33	GR	-
34	LG	-
35	P	-
36	L	-
37	W	-
38	Y	-
39	GR	-
40	BR	-
41	W	-
42	R	-
43	Y	-
44	BR	-
45	G	-
46	LG	-
47	W	-
48	W	-
49	L	-
50	R	-
51	SHIELD	-
60	SB	-
61	V	-
71	W	-
72	LG	-
74	R	-
75	BR	-
76	LG	-
77	R	-
78	BR	-
79	W	-
80	Y	-
81	BR	-
82	SB	-
84	Y	-
85	P	-
86	GR	-
87	R	-
88	L	-

Terminal No.	Color Of Wire	Signal Name [Specification]
1	LG	-
2	W	-
3	LG	-

Terminal No.	Color Of Wire	Signal Name [Specification]
1	L	-
3	R	-
4	G	-
5	Y	-
6	P	-
7	W	-
8	V	-
9	L	-
10	Y	-
11	G	-
12	BR	-
13	R	-
14	L	-
15	BR	-
16	R	-
17	SHIELD	-
18	L	-

Terminal No.	Color Of Wire	Signal Name [Specification]
89	G	-
90	P	-
91	W	-
92	R	-
93	LG	-
94	W	-
95	SB	-
96	L	-
97	L	-
98	Y	-
99	BR	-
100	L	-

Terminal No.	Color Of Wire	Signal Name [Specification]
24	V	-
25	G	-
26	Y	-
31	SB	-
32	R	-
33	GR	-
34	W	-

Connector No.	Signal Name [Specification]
M3B	COMBINATION SWITCH (SPIRAL CABLE)
TR08FCY-1V	

Connector No.	Signal Name [Specification]
M5	WIRE TO WIRE
TR60MW-CS16-TM4	

Connector No.	Signal Name [Specification]
M6	WIRE TO WIRE
TR60MW-CS16-TM4	

JRLWE4782GB

HORN

< DTC/CIRCUIT DIAGNOSIS >

A
B
C
D
E
F
G
H
I
J
K
M
N
O
P

HORN

Connector No.	M303
Connector Name	COMBINATION SWITCH (SPIRAL CABLE)
Connector Type	TKGBFGY



Terminal No.	Color of Wire	Signal Name [Specification]
13	-	-
14	-	-
15	-	-
16	-	-
17	-	-
18	-	-
19	-	-
20	-	-

HRN

JRLWE4783GB

PRECAUTIONS

< PRECAUTION >

PRECAUTION

PRECAUTIONS

Precaution for Supplemental Restraint System (SRS) "AIR BAG" and "SEAT BELT PRE-TENSIONER"

INFOID:000000011485608

The Supplemental Restraint System such as "AIR BAG" and "SEAT BELT PRE-TENSIONER", used along with a front seat belt, helps to reduce the risk or severity of injury to the driver and front passenger for certain types of collision. This system includes seat belt switch inputs and dual stage front air bag modules. The SRS system uses the seat belt switches to determine the front air bag deployment, and may only deploy one front air bag, depending on the severity of a collision and whether the front occupants are belted or unbelted. Information necessary to service the system safely is included in the "SRS AIR BAG" and "SEAT BELT" of this Service Manual.

WARNING:

Always observe the following items for preventing accidental activation.

- To avoid rendering the SRS inoperative, which could increase the risk of personal injury or death in the event of a collision that would result in air bag inflation, all maintenance must be performed by an authorized NISSAN/INFINITI dealer.
- Improper maintenance, including incorrect removal and installation of the SRS, can lead to personal injury caused by unintentional activation of the system. For removal of Spiral Cable and Air Bag Module, see "SRS AIR BAG".
- Never use electrical test equipment on any circuit related to the SRS unless instructed to in this Service Manual. SRS wiring harnesses can be identified by yellow and/or orange harnesses or harness connectors.

PRECAUTIONS WHEN USING POWER TOOLS (AIR OR ELECTRIC) AND HAMMERS

WARNING:

Always observe the following items for preventing accidental activation.

- When working near the Air Bag Diagnosis Sensor Unit or other Air Bag System sensors with the ignition ON or engine running, never use air or electric power tools or strike near the sensor(s) with a hammer. Heavy vibration could activate the sensor(s) and deploy the air bag(s), possibly causing serious injury.
- When using air or electric power tools or hammers, always switch the ignition OFF, disconnect the battery, and wait at least 3 minutes before performing any service.

Precaution for Battery Service

INFOID:000000011485609

Before disconnecting the battery, lower both the driver and passenger windows. This will prevent any interference between the window edge and the vehicle when the door is opened/closed. During normal operation, the window slightly raises and lowers automatically to prevent any window to vehicle interference. The automatic window function will not work with the battery disconnected.

Precautions for Removing Battery Terminal

INFOID:000000011485610

- When removing the 12V battery terminal, turn OFF the ignition switch and wait at least 30 seconds.

NOTE:

ECU may be active for several tens of seconds after the ignition switch is turned OFF. If the battery terminal is removed before ECU stops, then a DTC detection error or ECU data corruption may occur.

- For vehicles with the 2-batteries, be sure to connect the main battery and the sub battery before turning ON the ignition switch.

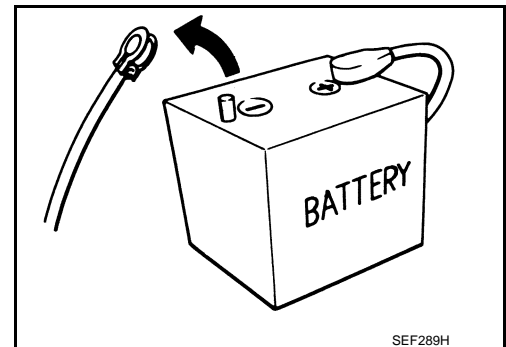
NOTE:

If the ignition switch is turned ON with any one of the terminals of main battery and sub battery disconnected, then DTC may be detected.

- After installing the 12V battery, always check "Self Diagnosis Result" of all ECUs and erase DTC.

NOTE:

The removal of 12V battery may cause a DTC detection error.



HORN

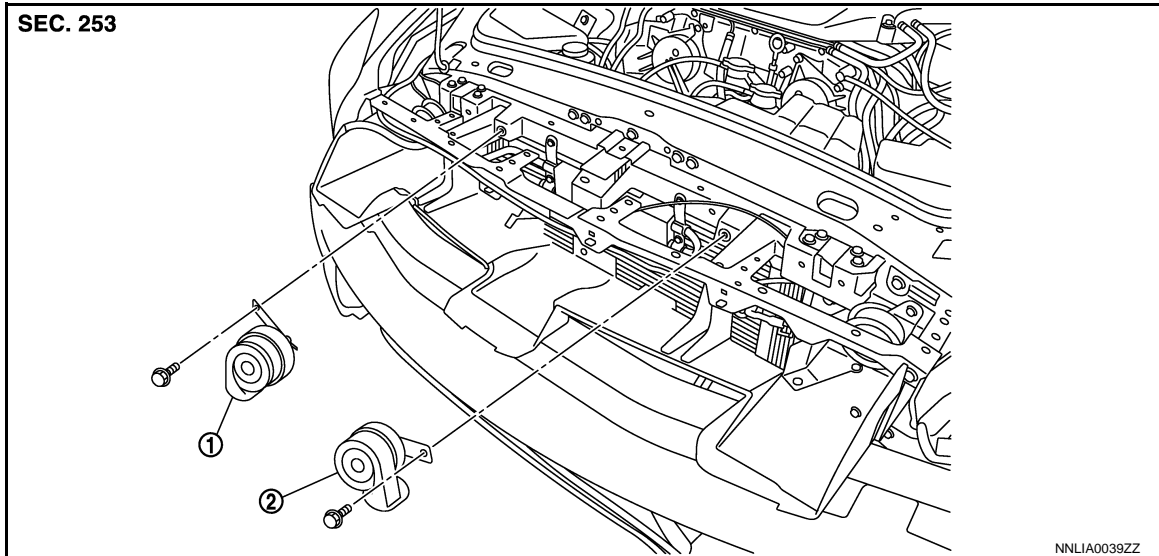
< REMOVAL AND INSTALLATION >

REMOVAL AND INSTALLATION

HORN

Exploded View

INFOID:000000011485611



1. Horn (HIGH)

2. Horn (LOW)

Removal and Installation

INFOID:000000011485612

REMOVAL

1. Remove the radiator cover.
2. Disconnect the horn (LOW/HIGH) connector.
3. Remove the horn mounting bolt, and remove the horn (LOW/HIGH) from the vehicle.

INSTALLATION

Install in the reverse order of removal.

A

B

C

D

E

F

G

H

I

J

K

HRN

M

N

O

P