

SECTION **PWO**
POWER OUTLET

A
B
C
D
E
F
G
H
I
J
K
L
N
O
P

CONTENTS

DTC/CIRCUIT DIAGNOSIS	2	PREPARATION	7
POWER SOCKET	2	PREPARATION	7
INSTRUMENT POWER SOCKET	2	Commercial Service Tools	7
INSTRUMENT POWER SOCKET : Wiring Dia- gram - INSTRUMENT POWER SOCKET -	2	REMOVAL AND INSTALLATION	8
CONSOLE POWER SOCKET	3	POWER SOCKET	8
CONSOLE POWER SOCKET : Wiring Diagram - CONSOLE POWER SOCKET -	4	INSTRUMENT POWER SOCKET	8
PRECAUTION	6	INSTRUMENT POWER SOCKET : Exploded View	8
PRECAUTIONS	6	INSTRUMENT POWER SOCKET : Removal and Installation	8
Precaution for Supplemental Restraint System (SRS) "AIR BAG" and "SEAT BELT PRE-TEN- SIONER"	6	CONSOLE POWER SOCKET	8
Precaution for Battery Service	6	CONSOLE POWER SOCKET : Exploded View	9
Precautions for Removing Battery Terminal	6	CONSOLE POWER SOCKET : Removal and In- stallation	9

PWO

POWER SOCKET

< DTC/CIRCUIT DIAGNOSIS >

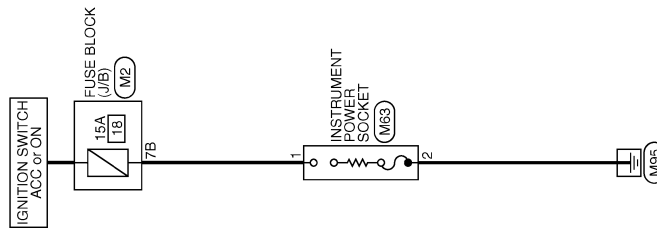
DTC/CIRCUIT DIAGNOSIS

POWER SOCKET

INSTRUMENT POWER SOCKET

INSTRUMENT POWER SOCKET : Wiring Diagram - INSTRUMENT POWER SOCKET -

INFOID:000000011488177



INSTRUMENT POWER SOCKET

2008/03/14

JCMWA2090GB

POWER SOCKET

< DTC/CIRCUIT DIAGNOSIS >

A
B
C
D
E
F
G
H
I
J
K
L
N
O
P

INSTRUMENT POWER SOCKET

Connector No.	M2
Connector Name	FUSE BLOCK (JIB)
Connector Type	NS10FW-GS



Terminal No.	Color Of Wire	Signal Name [Specification]
1A	Y	-
1B	R	-
2A	P	-
2B	G	-
3A	B	-
3B	EG	-
4A	Y	-
4B	R	-
5A	R	-
5B	SB	-

Connector No.	M63
Connector Name	INSTRUMENT POWER SOCKET
Connector Type	P02FB-Z



Terminal No.	Color Of Wire	Signal Name [Specification]
1	R	-
2	B	-

PWO

CONSOLE POWER SOCKET

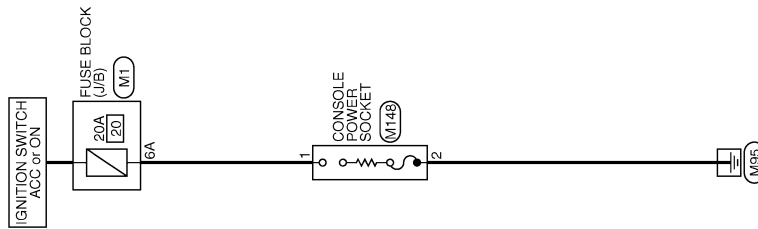
JRMWG7986GB

POWER SOCKET

< DTC/CIRCUIT DIAGNOSIS >

CONSOLE POWER SOCKET : Wiring Diagram - CONSOLE POWER SOCKET -

INFOID:000000011488178



CONSOLE POWER SOCKET

2009/11/10

JCMWA5416GB

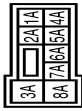
POWER SOCKET

< DTC/CIRCUIT DIAGNOSIS >

A
B
C
D
E
F
G
H
I
J
K
L
N
O
P

CONSOLE POWER SOCKET

Connector No.	M1
Connector Name	FUSE BLOCK (JIB)
Connector Type	NS06FW-M2



Terminal No.	Color Of Wire	Signal Name [Specification]
1A	V	-
2A	G	-
3A	-	-
4A	LG	-
5A	SB	-
6A	Y	-
7A	R	-
8A	L	-

Connector No.	M148
Connector Name	CONSOLE POWER SOCKET
Connector Type	P02FB-Z



Terminal No.	Color Of Wire	Signal Name [Specification]
1	Y	-
2	B	-

PWO

JRMWG7987GB

PRECAUTIONS

< PRECAUTION >

PRECAUTION

PRECAUTIONS

Precaution for Supplemental Restraint System (SRS) "AIR BAG" and "SEAT BELT PRE-TENSIONER"

INFOID:000000011488179

The Supplemental Restraint System such as "AIR BAG" and "SEAT BELT PRE-TENSIONER", used along with a front seat belt, helps to reduce the risk or severity of injury to the driver and front passenger for certain types of collision. This system includes seat belt switch inputs and dual stage front air bag modules. The SRS system uses the seat belt switches to determine the front air bag deployment, and may only deploy one front air bag, depending on the severity of a collision and whether the front occupants are belted or unbelted. Information necessary to service the system safely is included in the "SRS AIR BAG" and "SEAT BELT" of this Service Manual.

WARNING:

Always observe the following items for preventing accidental activation.

- To avoid rendering the SRS inoperative, which could increase the risk of personal injury or death in the event of a collision that would result in air bag inflation, all maintenance must be performed by an authorized NISSAN/INFINITI dealer.
- Improper maintenance, including incorrect removal and installation of the SRS, can lead to personal injury caused by unintentional activation of the system. For removal of Spiral Cable and Air Bag Module, see "SRS AIR BAG".
- Never use electrical test equipment on any circuit related to the SRS unless instructed to in this Service Manual. SRS wiring harnesses can be identified by yellow and/or orange harnesses or harness connectors.

PRECAUTIONS WHEN USING POWER TOOLS (AIR OR ELECTRIC) AND HAMMERS

WARNING:

Always observe the following items for preventing accidental activation.

- When working near the Air Bag Diagnosis Sensor Unit or other Air Bag System sensors with the ignition ON or engine running, never use air or electric power tools or strike near the sensor(s) with a hammer. Heavy vibration could activate the sensor(s) and deploy the air bag(s), possibly causing serious injury.
- When using air or electric power tools or hammers, always switch the ignition OFF, disconnect the battery, and wait at least 3 minutes before performing any service.

Precaution for Battery Service

INFOID:000000011488180

Before disconnecting the battery, lower both the driver and passenger windows. This will prevent any interference between the window edge and the vehicle when the door is opened/closed. During normal operation, the window slightly raises and lowers automatically to prevent any window to vehicle interference. The automatic window function will not work with the battery disconnected.

Precautions for Removing Battery Terminal

INFOID:000000011488181

- When removing the 12V battery terminal, turn OFF the ignition switch and wait at least 30 seconds.

NOTE:

ECU may be active for several tens of seconds after the ignition switch is turned OFF. If the battery terminal is removed before ECU stops, then a DTC detection error or ECU data corruption may occur.

- For vehicles with the 2-batteries, be sure to connect the main battery and the sub battery before turning ON the ignition switch.

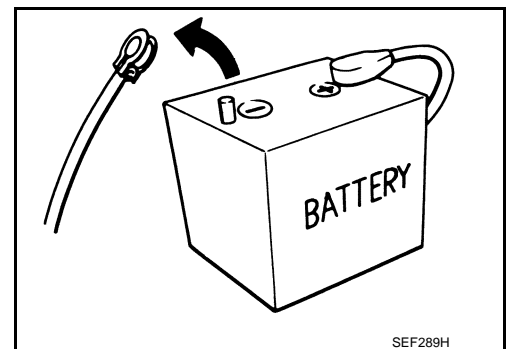
NOTE:

If the ignition switch is turned ON with any one of the terminals of main battery and sub battery disconnected, then DTC may be detected.

- After installing the 12V battery, always check "Self Diagnosis Result" of all ECUs and erase DTC.

NOTE:

The removal of 12V battery may cause a DTC detection error.



PREPARATION

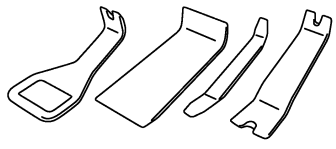
< PREPARATION >

PREPARATION

PREPARATION

Commercial Service Tools

INFOID:000000011488182

Tool name	Description
Remover tool  PIIB7923J	Removing clips, pawls, metal clips

A

B

C

D

E

F

G

H

I

J

K

L

PWO

N

O

P

POWER SOCKET

< REMOVAL AND INSTALLATION >

REMOVAL AND INSTALLATION

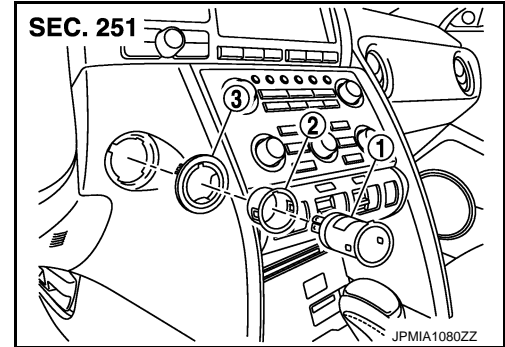
POWER SOCKET

INSTRUMENT POWER SOCKET

INSTRUMENT POWER SOCKET : Exploded View

INFOID:000000011488183

- 1 : Inner socket
- 2 : Ring
- 3 : Seal




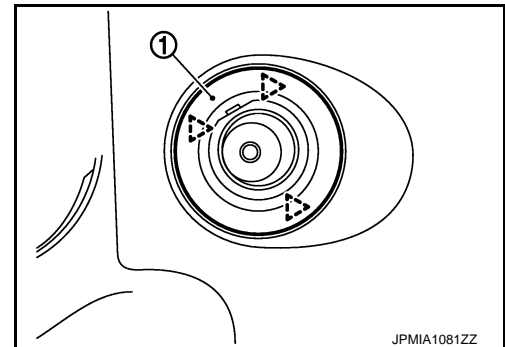
INSTRUMENT POWER SOCKET : Removal and Installation

INFOID:000000011488184

REMOVAL

1. Remove instrument power socket assembly (1) by using a remover tool.

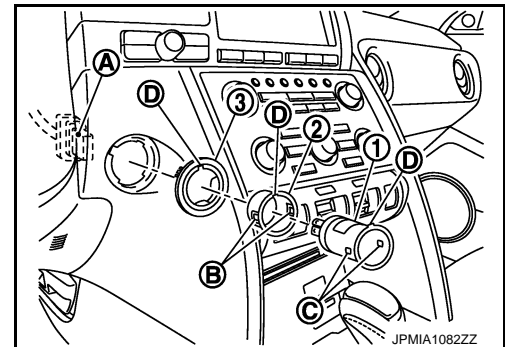
 : Pawl



2. Disconnect power socket connector (A).

2 : Ring
D : Cut out

3. Pull out inner socket (1) by pushing the ring pawl (B) from the inner socket hole (square) (C).
4. Remove seal (3) by pushing the ring pawl.



INSTALLATION

Install in the reverse order of removal.

NOTE:

Align the cut outs of inner socket, ring, and seal.

CONSOLE POWER SOCKET

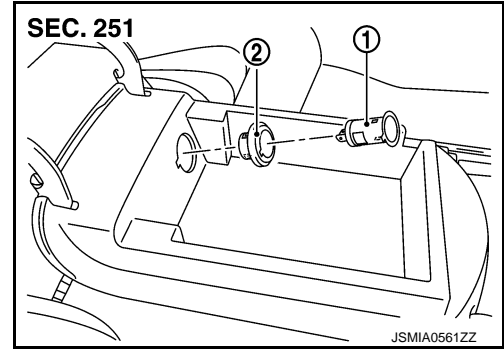
POWER SOCKET

< REMOVAL AND INSTALLATION >

CONSOLE POWER SOCKET : Exploded View

INFOID:000000011488185

- 1 : Inner socket
- 2 : Ring



CONSOLE POWER SOCKET : Removal and Installation

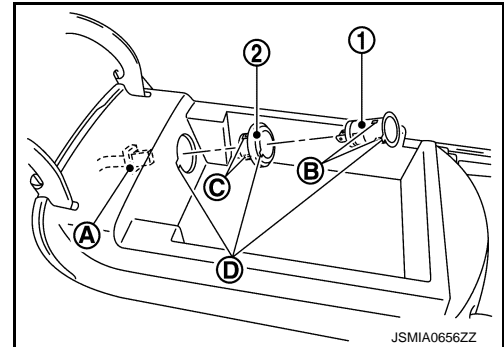
INFOID:000000011488186

REMOVAL

1. Remove center console assembly. Refer to [IP-23, "Exploded View"](#).
2. Disconnect power socket connector (A).

D : Cut out

3. Pull out inner socket (1) by pushing the ring pawl (C) from the inner socket hole (square) (B).
4. Remove ring (2) from center console assembly while pressing pawls.



INSTALLATION

Install in the reverse order of removal.

NOTE:

Align the cut outs of inner socket, ring, and center console assembly.

A
B
C
D
E
F
G
H
I
J
K
L

PWO