

SECTION **BT**

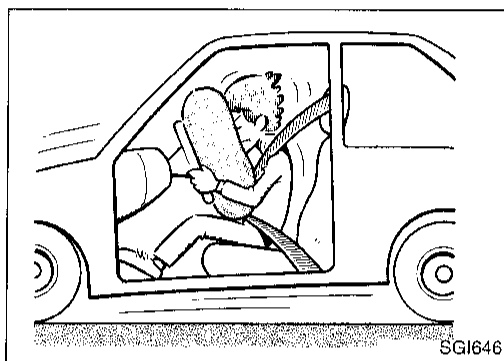
CONTENTS

PRECAUTIONS	2	SUNROOF	25
Supplemental Restraint System (SRS) "AIR BAG"	2	Service Procedure	25
GENERAL SERVICING	3	WINDSHIELD AND WINDOWS	26
Clip and Fastener	3	Windshield	27
BODY END	6	Back Window	28
Front End	6	Rear Side Window	29
Rear End	7	MIRROR	30
Step Bumper	8	Door Mirror	30
DOOR	9	Rearview Mirror	31
Front Door	9	CAB AND REAR BODY	32
INSTRUMENT PANEL	10	Removal	32
INTERIOR TRIM	13	Cab Body	32
Side and Floor Trim — Passenger room	13	Rear Body	32
Roof Trim	15	Body Mounting	33
EXTERIOR	17	BODY ALIGNMENT	34
SEAT	23	Engine Compartment	35
Front Seat	23	Underbody	36
Jump Seat — King Cab Model	24		

- ★ For seat belt, refer to MA and RS section.
- ★ For wiring diagrams of body electrical systems, refer to EL section.

PRECAUTIONS

- When removing or installing various parts, place a cloth or padding on the vehicle body to prevent scratches.
- Handle trim, molding, instruments, grille, etc. carefully during removal or installation. Be careful not to soil or damage them.
- Apply sealing compound where necessary when installing parts.
- When applying sealing compound, be careful that the sealing compound does not protrude from parts.
- When replacing any metal parts (for example body outer panel, members, etc.), be sure to take rust prevention measures.



Supplemental Restraint System (SRS) "AIR BAG"

The Supplemental Restraint System "Air Bag", used along with a seat belt, helps to reduce the risk or severity of injury to the driver in a frontal collision. The Supplemental Restraint System consists of an air bag module (located in the center of the steering wheel), a diagnosis sensor unit, warning lamp, wiring harness, a crash zone sensor (4WD models) and spiral cable. Information necessary to service the system safely is included in the **RS section** of this Service Manual.


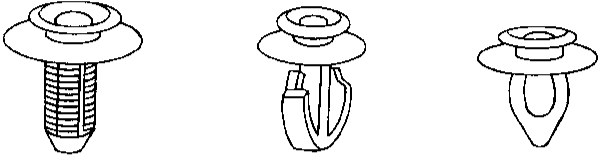
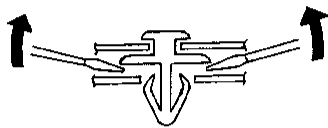
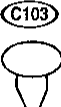
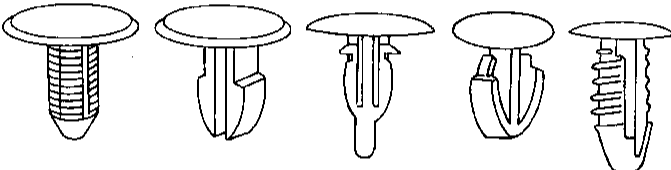
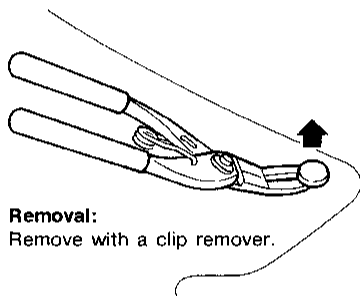

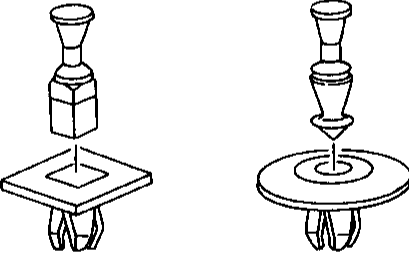
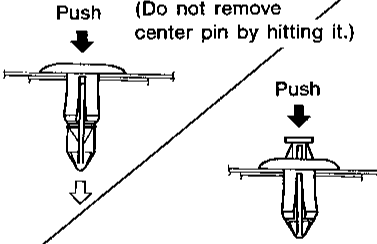

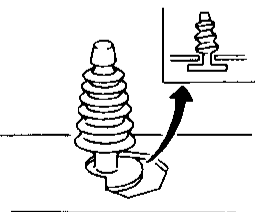
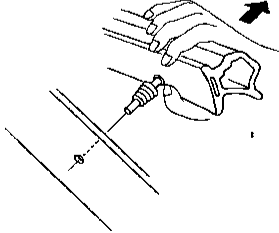
WARNING:

- To avoid rendering the SRS inoperative, which could increase the risk of personal injury or death in the event of a collision which would result in air bag inflation, all maintenance must be performed by an authorized NISSAN dealer.
- Improper maintenance, including incorrect removal and installation of the SRS, can lead to personal injury caused by unintentional activation of the system.
- Do not use electrical test equipment on any circuit related to the SRS unless instructed to in this Service Manual. SRS wiring harnesses are covered with yellow insulation either just before the harness connectors or for the complete harness, for easy identification.

GENERAL SERVICING

Clip and Fastener


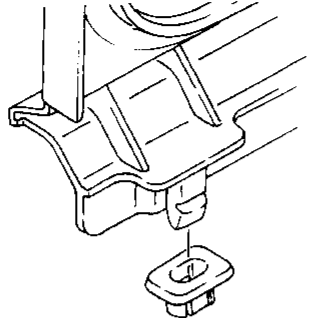
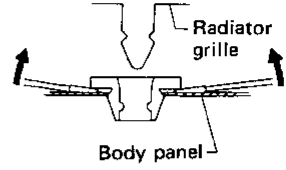

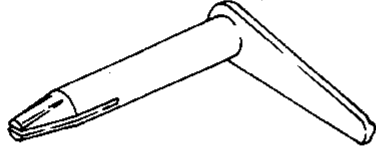
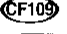
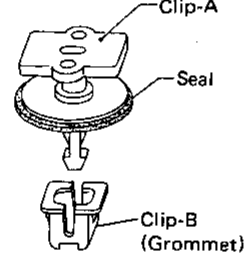
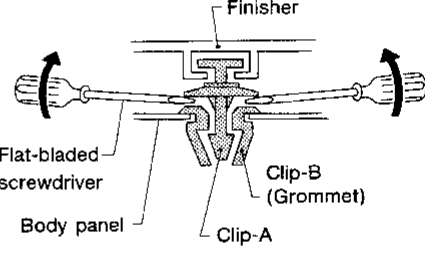

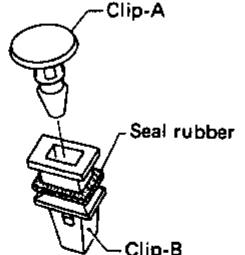
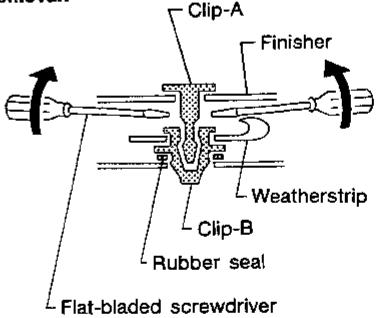

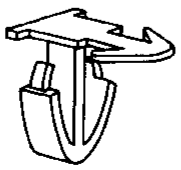
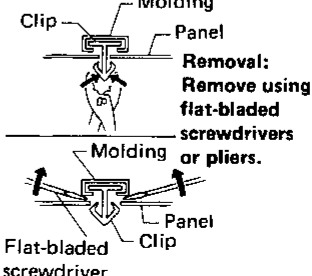
- Clips and fasteners in BT section correspond to the following numbers and symbols.
- Replace any clips and/or fasteners which are damaged during removal or installation.

Symbol No.	Shapes	Removal & Installation
	 <p style="text-align: right;">SBF302H</p>	<p>Removal: Remove by bending up with flat-bladed screwdrivers or clip remover.</p>  <p style="text-align: right;">SBF367BA</p>
	 <p style="text-align: right;">SBF303H</p>	<p>Removal: Remove with a clip remover.</p>  <p style="text-align: right;">SBF423H</p>
	 <p style="text-align: right;">SBF258G</p>	<p>Push center pin to catching position. (Do not remove center pin by hitting it.)</p>  <p>Installation:</p> <p style="text-align: right;">SBF708E</p>
	 <p style="text-align: right;">SBF104B</p>	<p>Removal:</p>  <p style="text-align: right;">SBF147B</p>

CI
MA
EM
LC
EC
FE
CL
MT
AT
TF
PD
FA
RA
BR
ST
RS
BT
HA
EL
IDX


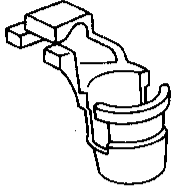
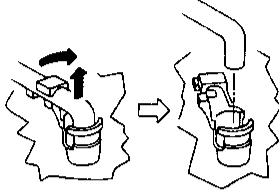


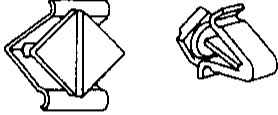

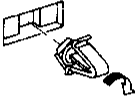

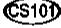
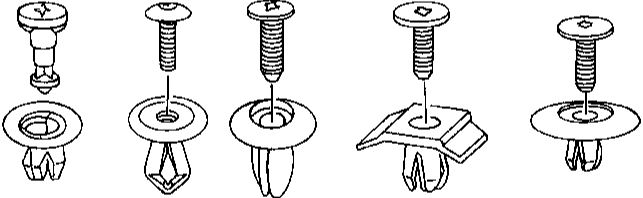
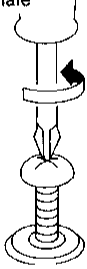
GENERAL SERVICING

Clip and Fastener (Cont'd)

Symbol No.	Shapes	Removal & Installation
		<p>Removal: Remove by bending up with flat-bladed screwdrivers.</p>  <p style="text-align: right;">Radiator grille Body panel</p> <p style="text-align: center;">SBF351C SBF352C</p>
		<p style="text-align: center;">—</p> <p style="text-align: center;">SBF353C</p>
	 <p style="text-align: right;">Clip-A Seal Clip-B (Grommet)</p>	<p>Removal:</p>  <p style="text-align: right;">Finisher Clip-B (Grommet) Clip-A Body panel Flat-bladed screwdriver</p> <p style="text-align: center;">SBF651B SBF652B</p>
	 <p style="text-align: right;">Clip-A Seal rubber Clip-B</p>	<p>Removal:</p>  <p style="text-align: right;">Clip-A Finisher Weatherstrip Clip-B Rubber seal Body panel Flat-bladed screwdriver</p> <p style="text-align: center;">SBF648B SBF649B</p>
		 <p style="text-align: right;">Molding Panel Clip Molding Panel Clip Flat-bladed screwdriver</p> <p>Removal: Remove using flat-bladed screwdrivers or pliers.</p> <p style="text-align: center;">SBF317C SBF571B</p>

GENERAL SERVICING

Clip and Fastener (Cont'd)

Symbol No.	Shapes	Removal & Installation
		<p>Removal: Holder portion of clip must be spread out to remove rod.</p> 
	SBF768B	SBF770B
 		<div style="display: flex; justify-content: space-between;"> <div style="width: 45%;"> <p>Removal:</p>  <p>Rotate 45° to remove.</p> </div> <div style="width: 45%;"> <p>Installation:</p>  </div> </div> <hr style="width: 100%;"/> <p>Removal:</p> 
	SBF145B	SBF085B
		<p>Removal:</p> <ol style="list-style-type: none"> 1. Screw out with a Phillips screwdriver. 2. Remove female portion with flat-bladed screwdriver. 
	SBF078B	SBF992G

GI
 MA
 EM
 LC
 EC
 FE
 CL
 MT
 AT
 TF
 PD
 FA
 RA
 BR
 ST
 RS
BT
 HA
 EL
 IDX

BODY END

Front End

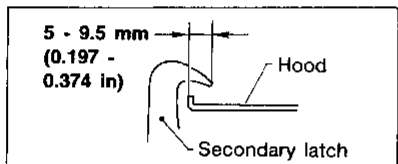
- Hood adjustment: Adjust at hinge portion.
- Hood lock adjustment: After adjusting, check hood lock control operation. Apply a coat of grease to hood lock engaging mechanism.
- Hood opener: Do not attempt to bend cable forcibly. Doing so could increase effort required to unlock hood.
- Bumper finisher: It is made of plastic. Do not use excessive force and keep oil away from it.

SEC. 260•261•262•620•623•650•656

Hood lock adjustment

- Adjust hood so that hood primary lock meshes at a position where hood is 1 to 1.5 mm (0.039 to 0.059 in) lower than fender.
- After hood lock adjustment, adjust bumper rubber.
- When securing hood lock, ensure it does not tilt. Striker must be positioned at the center of hood primary lock.
- After adjustment, ensure that hood primary and secondary lock operate properly.

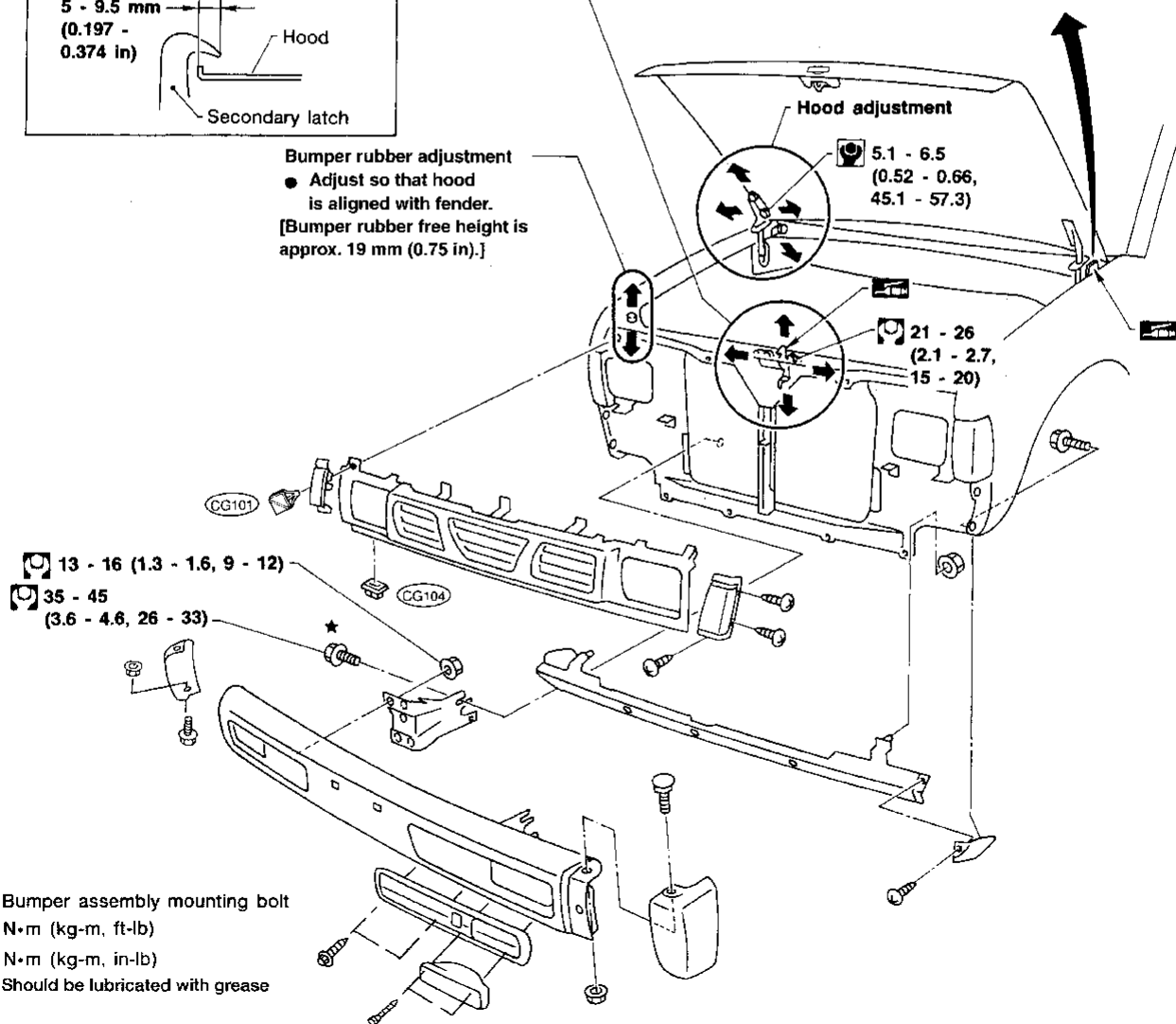
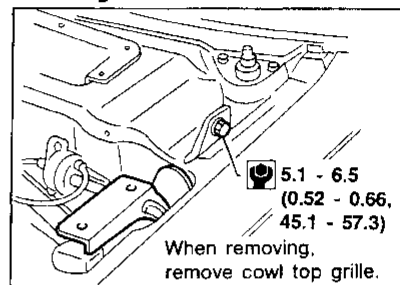
Hood lock secondary latch hooking length



Bumper rubber adjustment

- Adjust so that hood is aligned with fender.
[Bumper rubber free height is approx. 19 mm (0.75 in).]

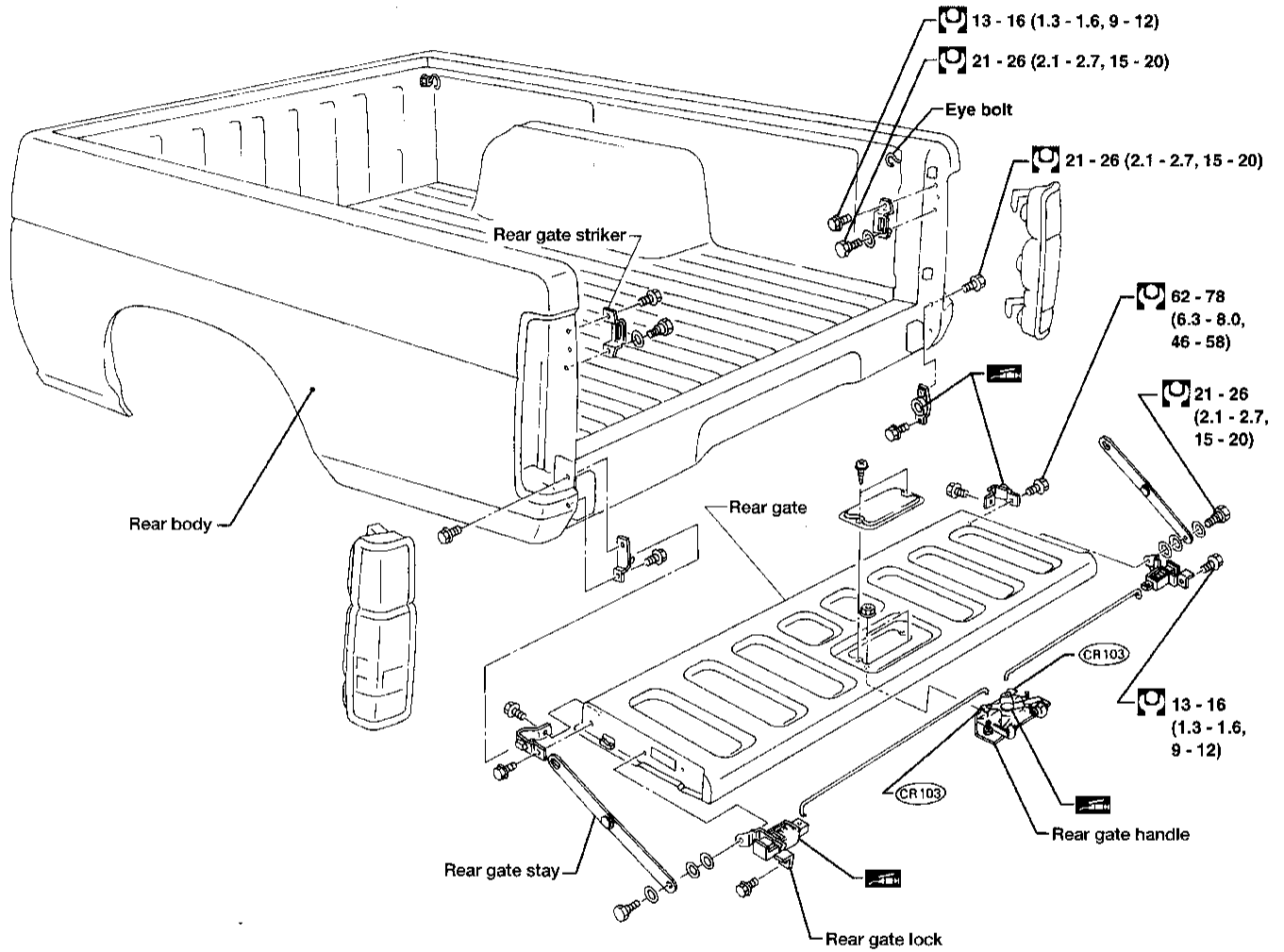
Hood hinge



BODY END

Rear End

SEC. 930A • 940A



: N·m (kg-m, ft-lb)

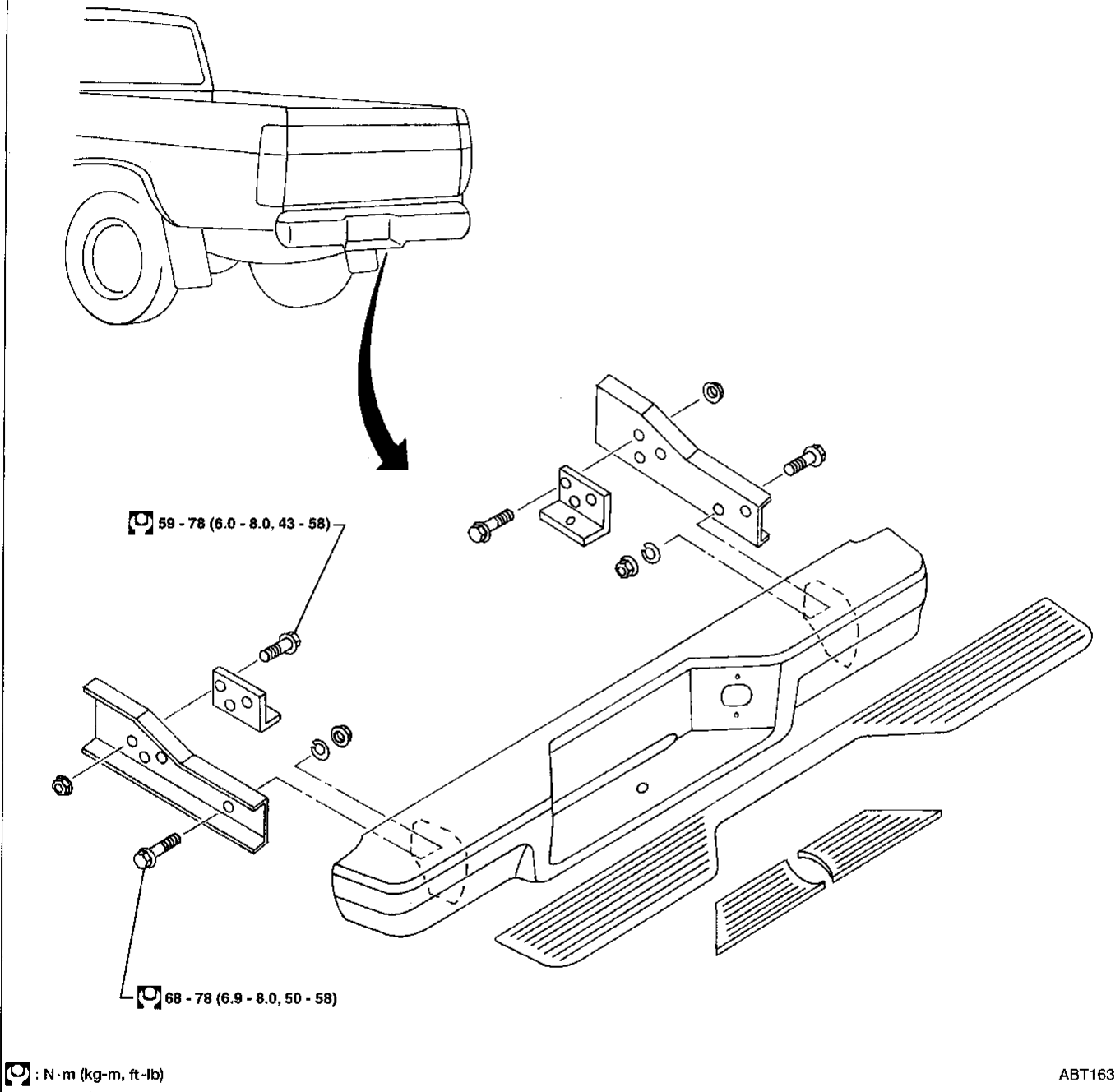
: Should be lubricated with grease

GI
MA
EM
LC
EC
FE
CL
MT
AT
TF
PD
FA
RA
BR
ST
RS
BT
HA
EL
IDX

BODY END

Step Bumper

SEC. 850

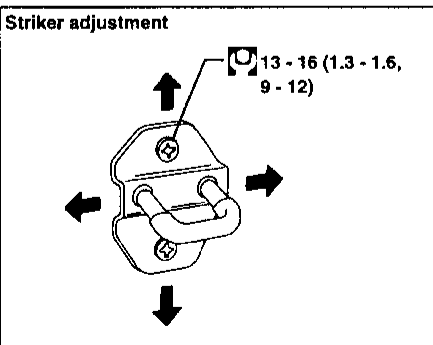
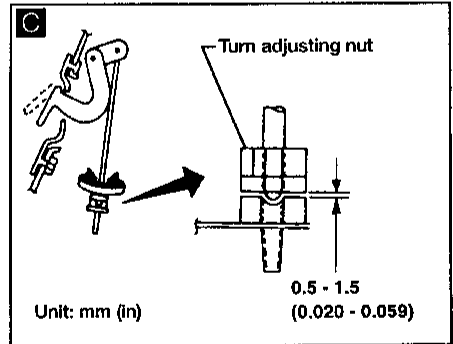
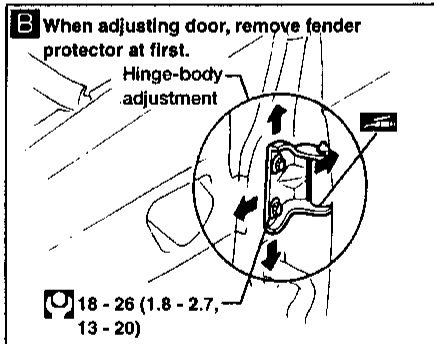
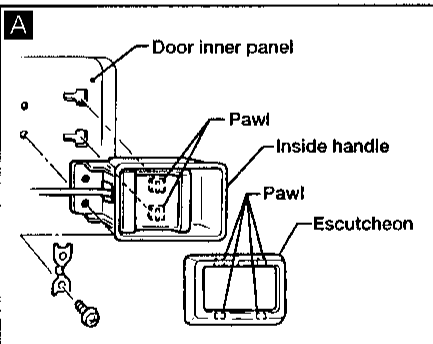
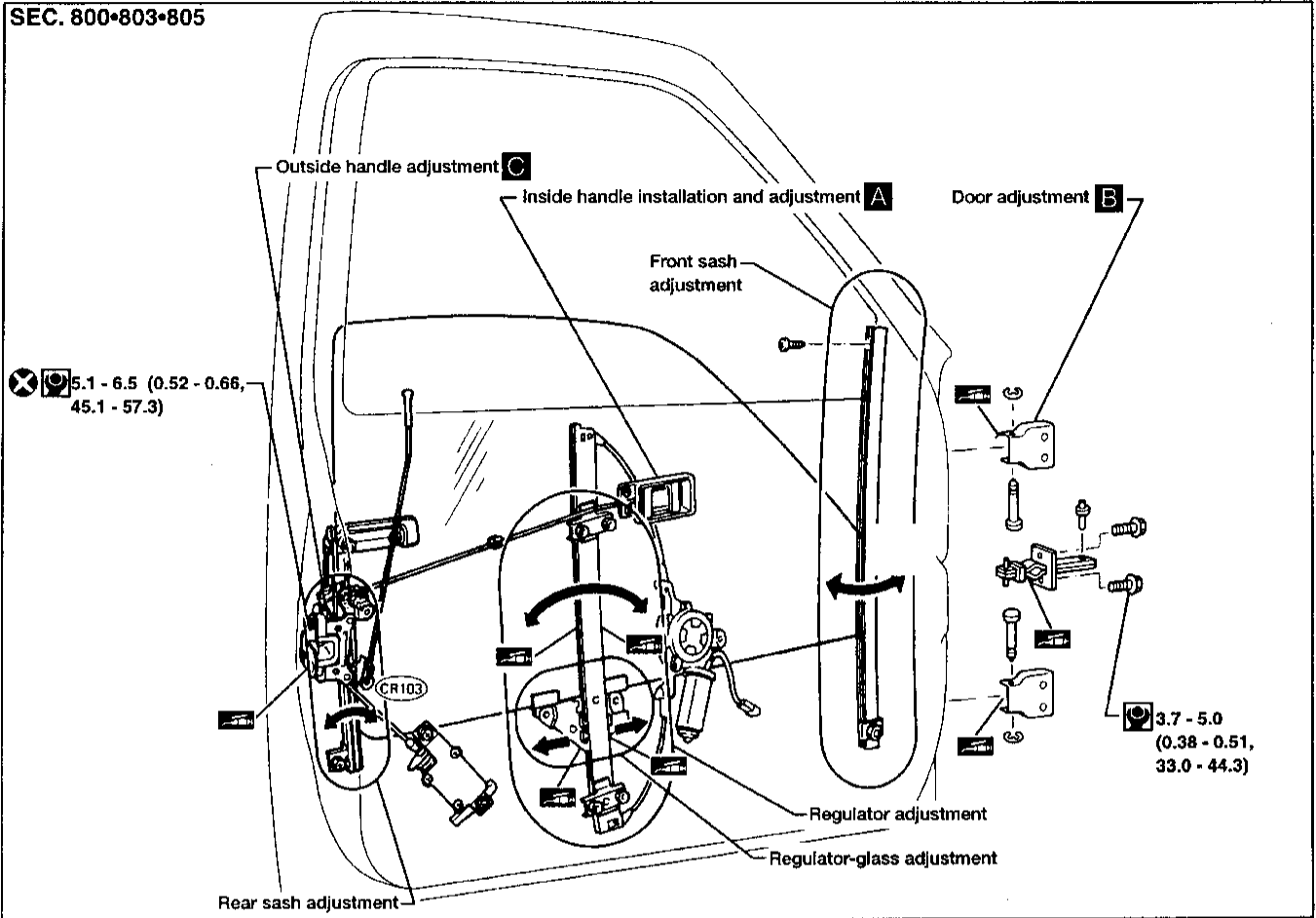


DOOR

Front Door

- For removal of door trim, refer to "INTERIOR TRIM", BT-13.
- After adjusting door lock, check door lock operation.

SEC. 800•803•805



- ⊗ : N·m (kg-m, in-lb)
- ⊙ : N·m (kg-m, ft-lb)
- ☛ : Should be lubricated with grease

GI
MA
EM
LC
EC
FE
CL
MT
AT
TF
PD
FA
RA
BR
ST
RS
BT
HA
EL
IDX

INSTRUMENT PANEL

CAUTION:

- Disconnect both terminals from battery in advance.
- Disconnect air bag module connector in advance.
- Be careful not to scratch finishers and other parts.
- Never tamper with or force air bag lid open, as this may adversely affect air bag performance.

REMOVAL — Instrument panel assembly

Instrument panel assembly	Combination meter	Audio control	Heater and A/C control	Console box
Remove air bag module and steering wheel. Refer to RS and ST sections.				
① Steering column cover ● Remove four screws.				
② Instrument lower panel driver side ● Remove two screws. C				
③ Cluster lid A ● Remove four screws.				
④ Combination meter ● Remove four screws, then disconnect harness connectors.				
⑤ Glove box assembly ● Remove six screws and two pins.				
⑥ Instrument lower panel passenger side ● Remove one screw.				
Remove ashtray				
⑦ Cluster lid C ● Remove two screws, then disconnect harness connectors. E				
⑧ Audio and deck pocket ● Remove four screws, then disconnect harness connectors.				
⑨ Heater and A/C control ● Remove mask and two screws. ● Disconnect temperature control cable and harness connectors.				
⑩ Instrument stay cover lower center D ● Remove two screws.				
⑪ Instrument lower panel center ● Remove six screws.				
⑫ Ventilator grille driver side B ● Remove one screw.				
⑬ Defroster grille A ● Remove three grilles.				
Remove left and right front pillar garnishes.				
⑭ Instrument panel assembly ● Remove nine screws and bolts marked*.				
⑮ Center console ● Remove five screws.				
⑯ A/T finisher ● Remove four screws, then disconnect harness connector.				

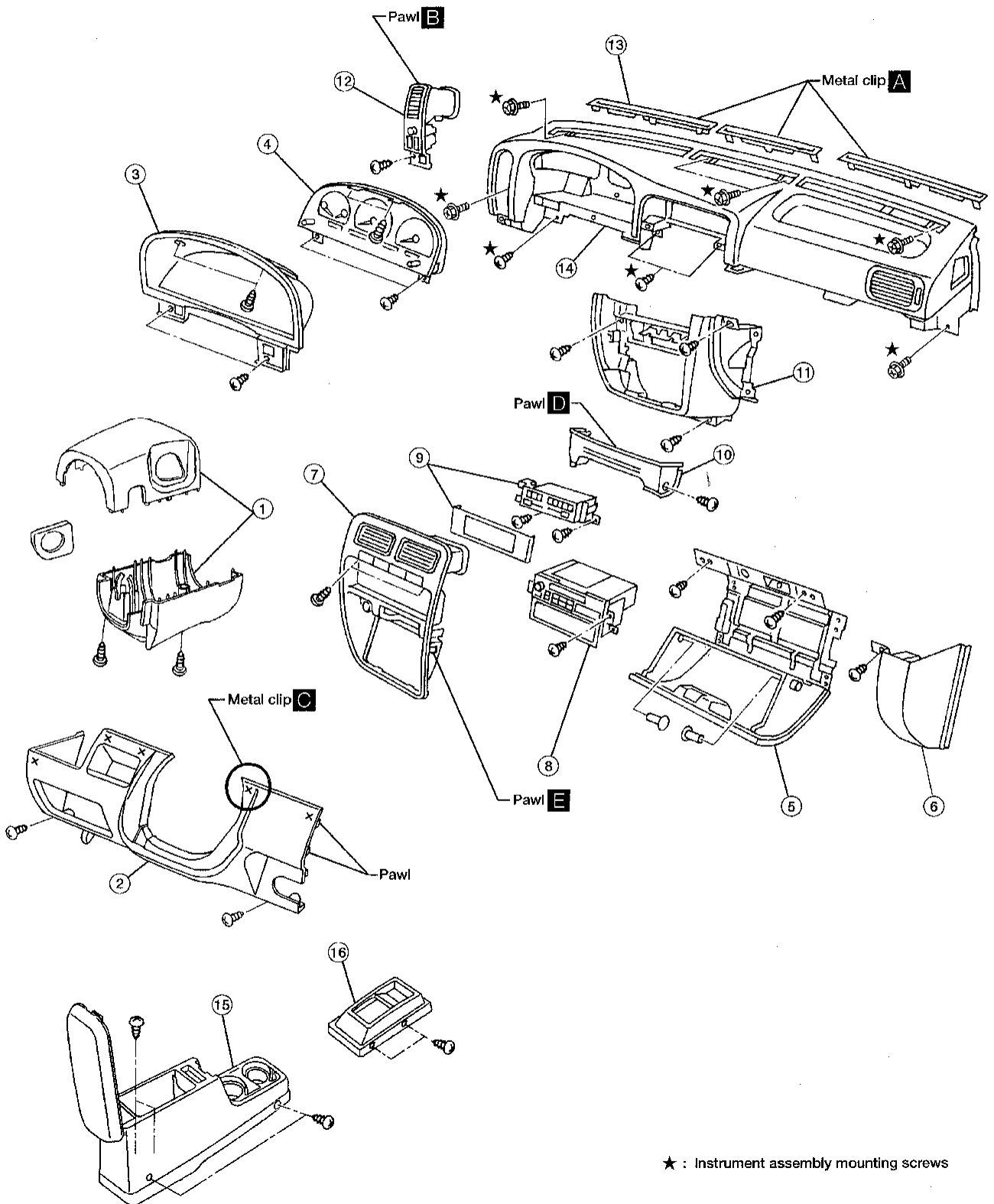
INSTALLATION

Reverse the procedures described above.

Pay attention so as not to scratch the parts (plastic). During installation, fit the ducting parts exactly.

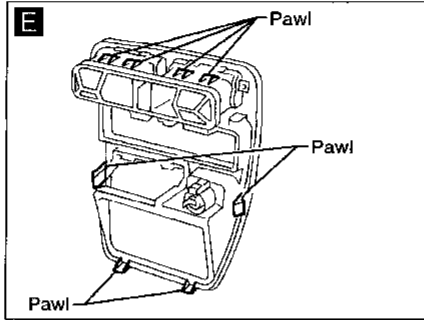
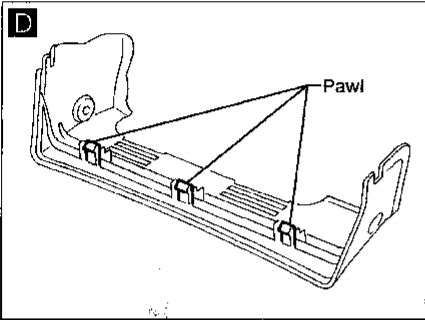
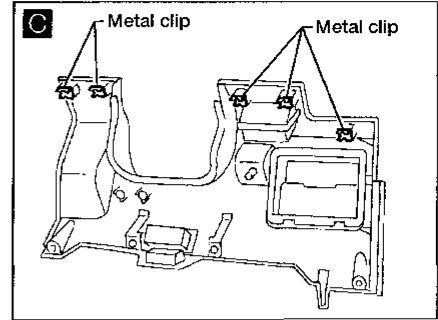
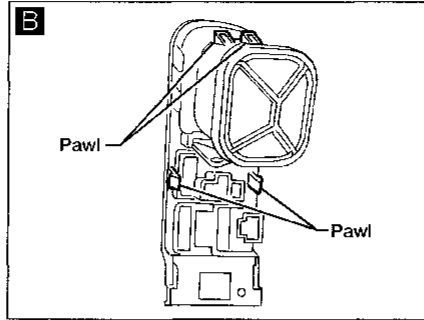
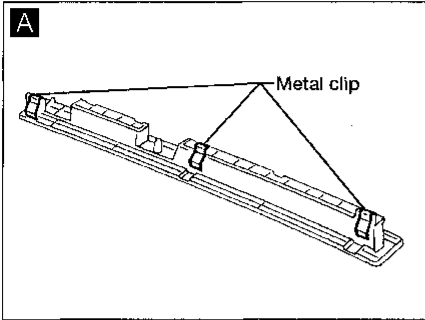
INSTRUMENT PANEL

SEC. 272•280•680•685•969



CI
MA
EM
LC
EC
FE
CL
MT
AT
TF
PD
FA
RA
BR
ST
RS
BT
HA
EL
IDX

INSTRUMENT PANEL



ABT155

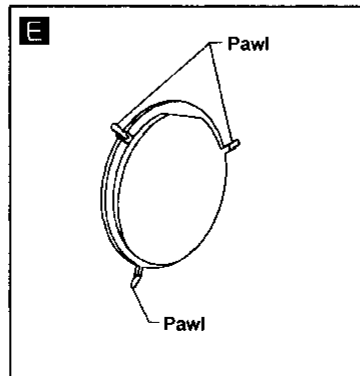
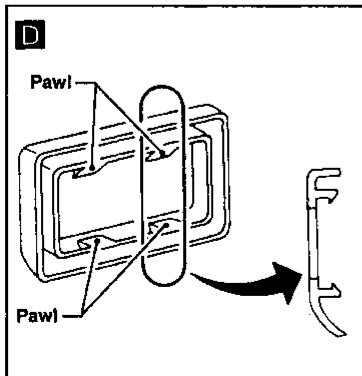
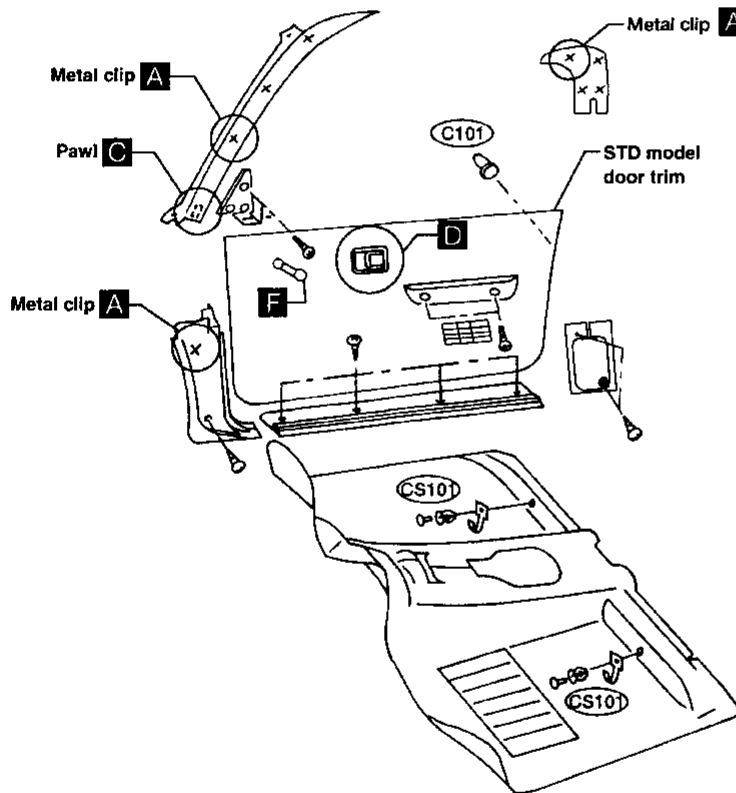
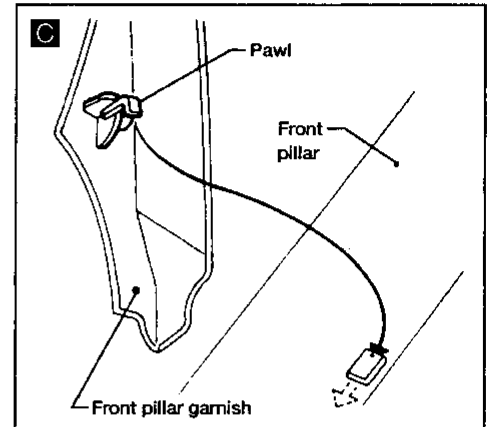
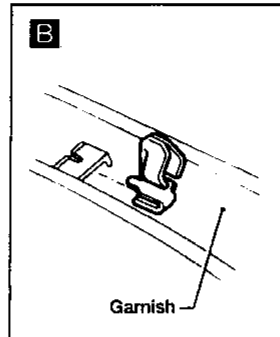
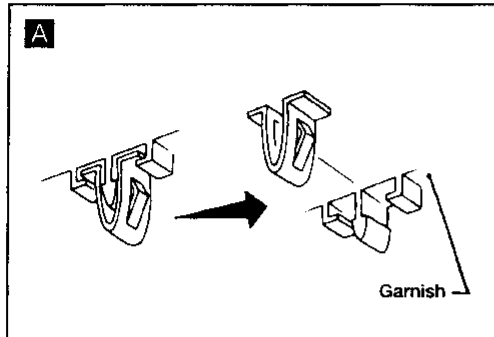
INTERIOR TRIM

Side and Floor Trim — Passenger room

- Wrap the tip of flat-bladed screwdriver with a cloth when removing metal clips from garnish.
- When handling interior or exterior parts, do not use excessive force and take care not to damage them.

Regular Cab

SEC. 678•749•769•803•805•809



F Manual window regulator handle

Removal

1. Push the regulator handle clip with a screwdriver being careful not to scratch handle or door trim. Wrap miniature flat-bladed screwdriver with tape.
- 2.

Push the regulator handle clip with a screwdriver being careful not to scratch handle or door trim. Then remove the regulator handle from the regulator shaft.

Installation

Before installing, the regulator handle clip as shown in figure ①.

45° → Front

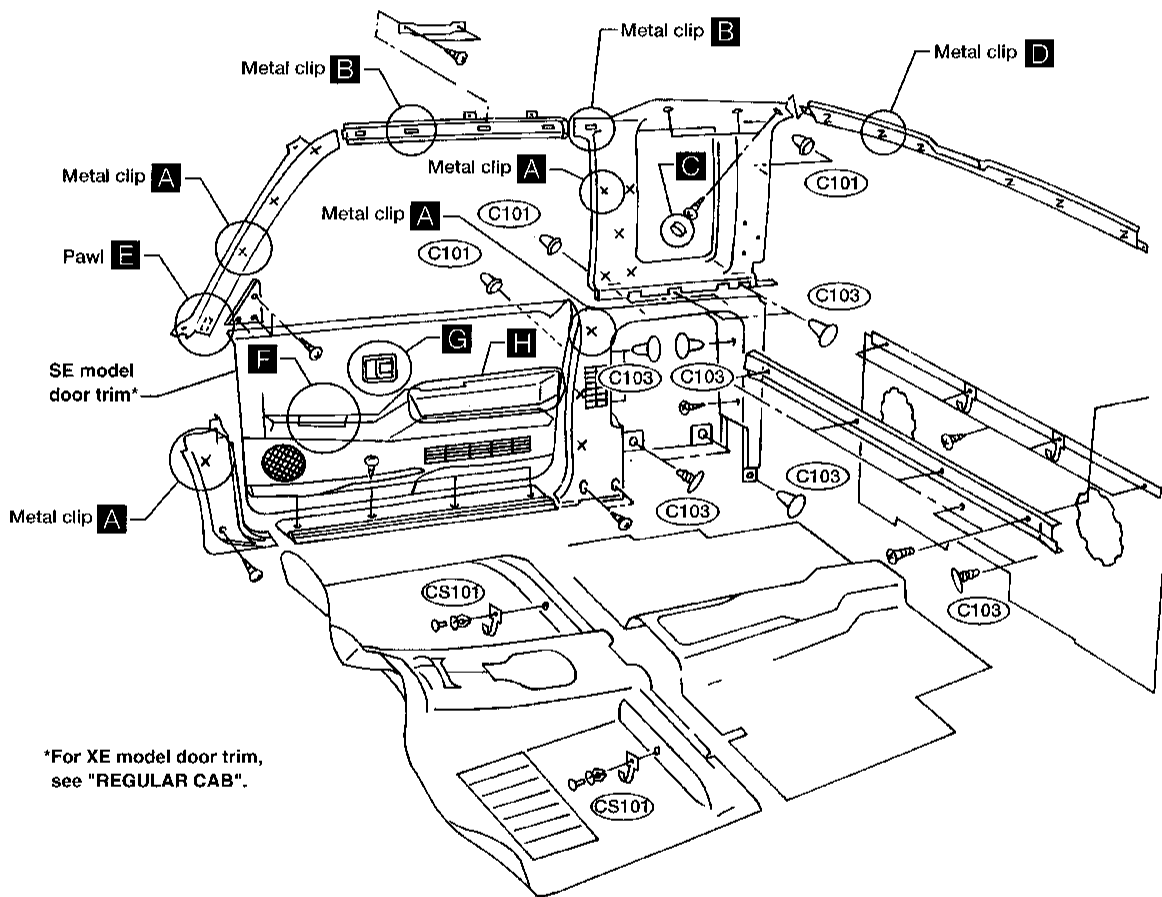
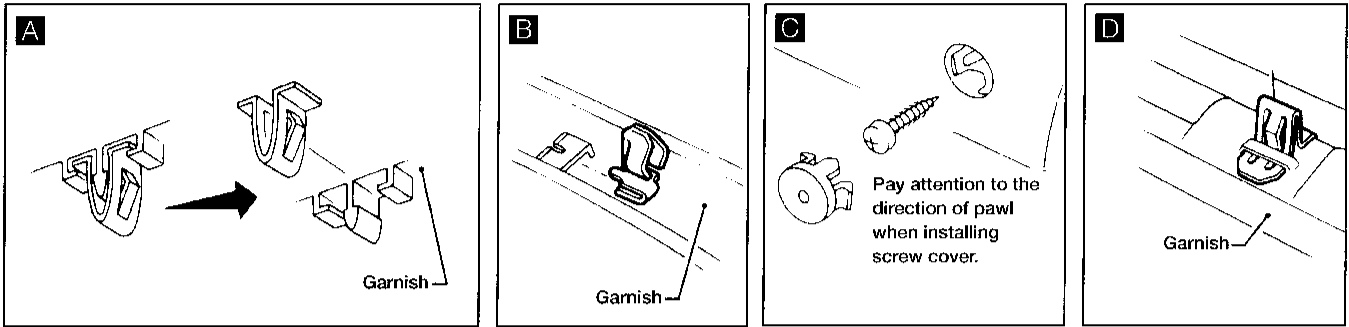
Push the regulator handle onto the regulator shaft. Install the regulator handle in place as shown in the figure with the window completely closed.

INTERIOR TRIM

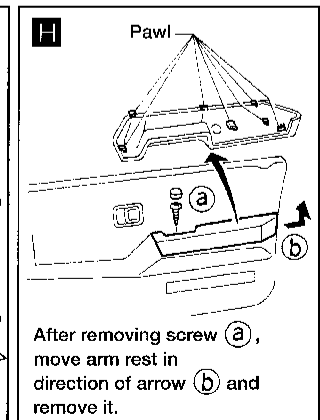
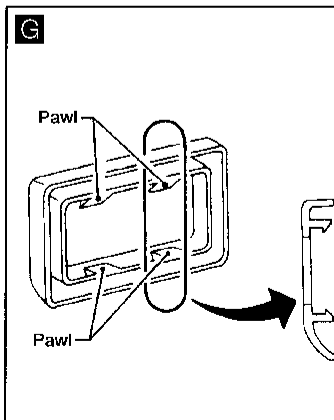
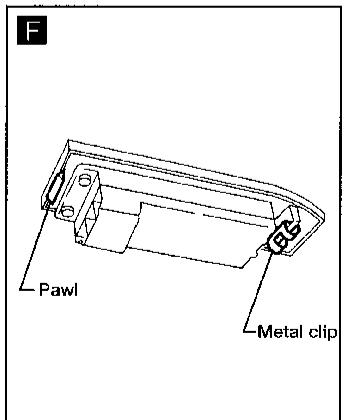
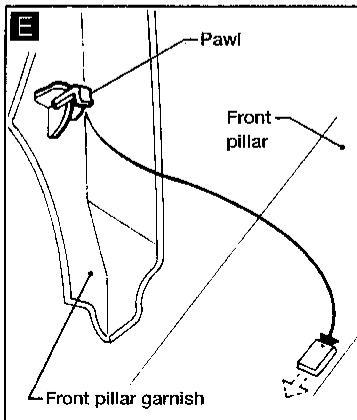
Side and Floor Trim — Passenger room (Cont'd)

King Cab

SEC. 678•749•769•799•803•805•809



*For XE model door trim, see "REGULAR CAB".

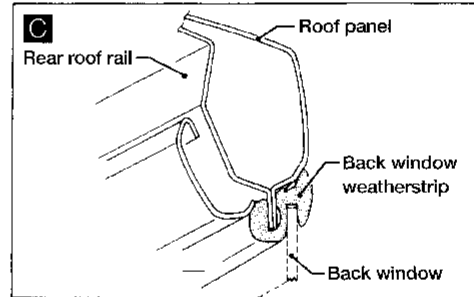
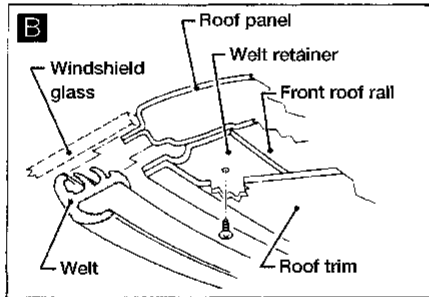
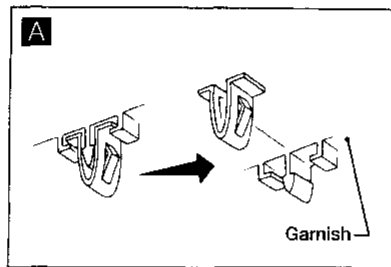
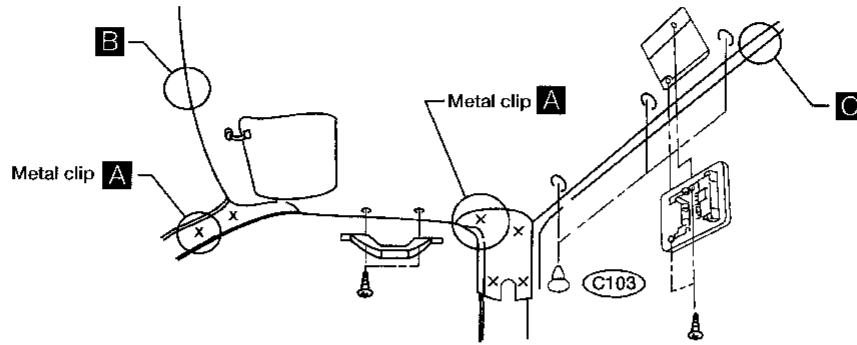


INTERIOR TRIM

Roof Trim

Regular Cab

SEC. 738•769•797•964



ABT162

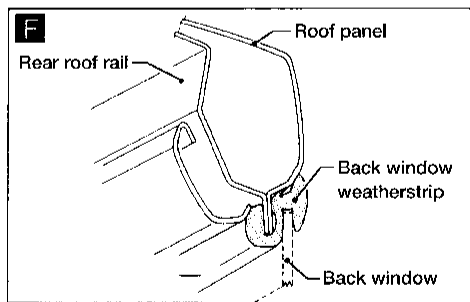
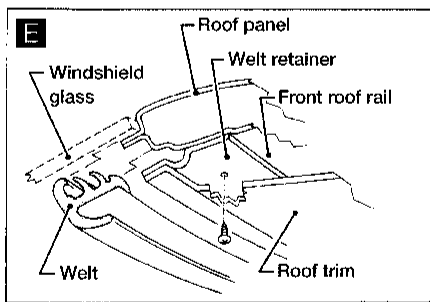
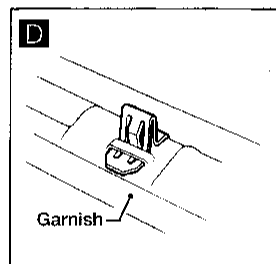
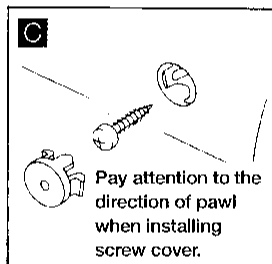
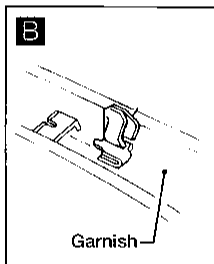
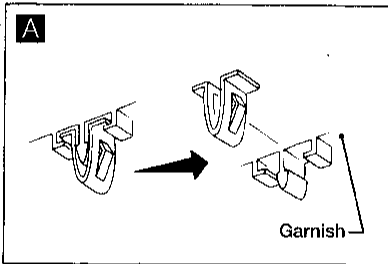
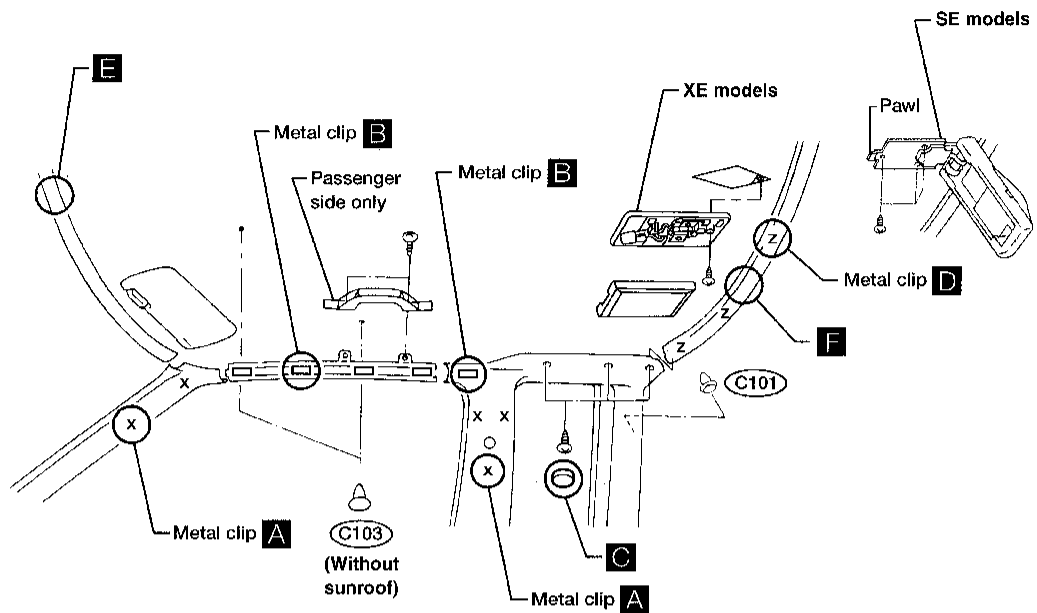
GI
MA
EM
LC
EC
FE
CL
MT
AT
TF
PD
FA
RA
BR
ST
RS
BT
HA
EL
IDX

INTERIOR TRIM

Roof Trim (Cont'd)

King Cab

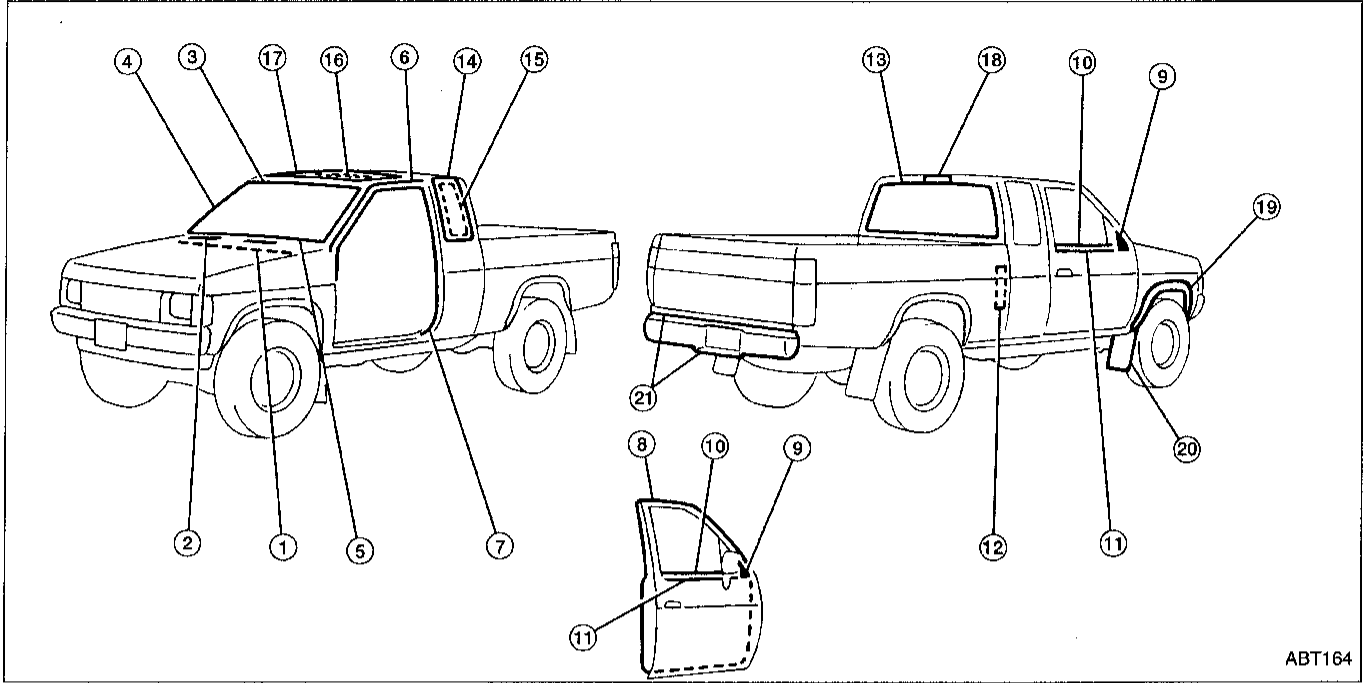
SEC. 738•769•797•964



ABT158

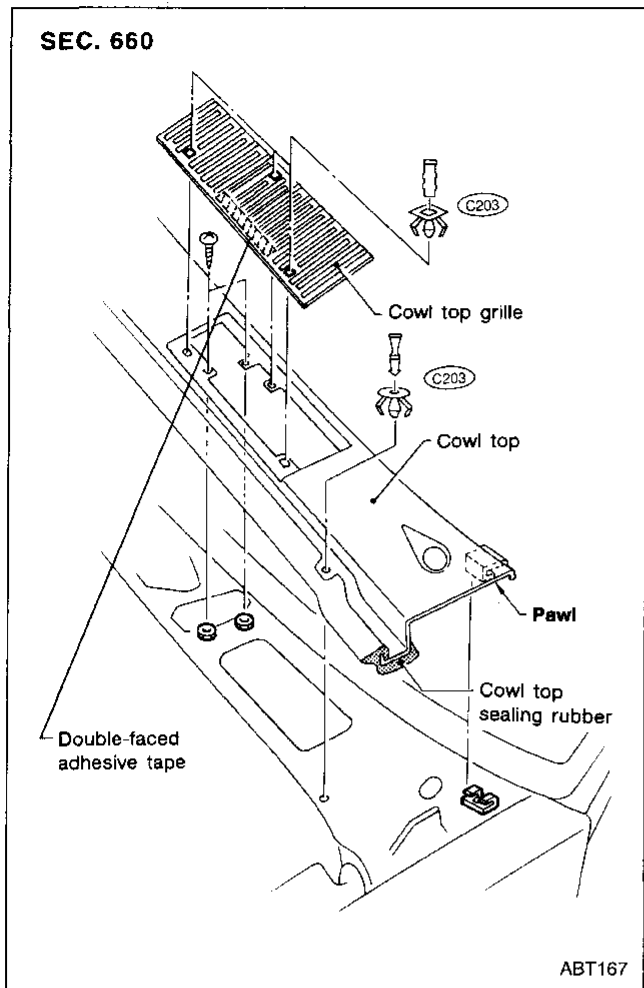
EXTERIOR

- Apply sealing compound where necessary while installing parts.
- When applying sealing compound, be careful that the sealing compound does not protrude from parts.



GI
MA
EM
LC
EC
FE
CL
MT
AT
TF
PD
FA
RA
BR
ST
RS
BT
HA
EL
IDX

① ② Cowl top sealing rubber & grille

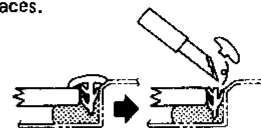


③ Windshield upper molding

SEC. 720

Method 1

Cut off top portion of molding and clean glass and panel surfaces.



Apply sealant to top portion of molding.



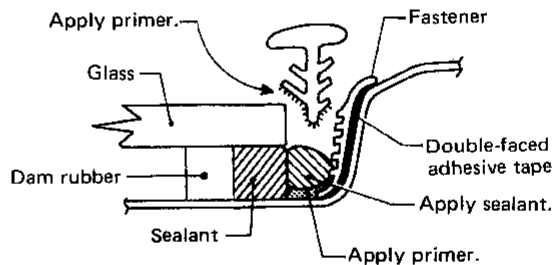
Cut off lower portion of new molding



Finish well to give it a good appearance.

Method 2

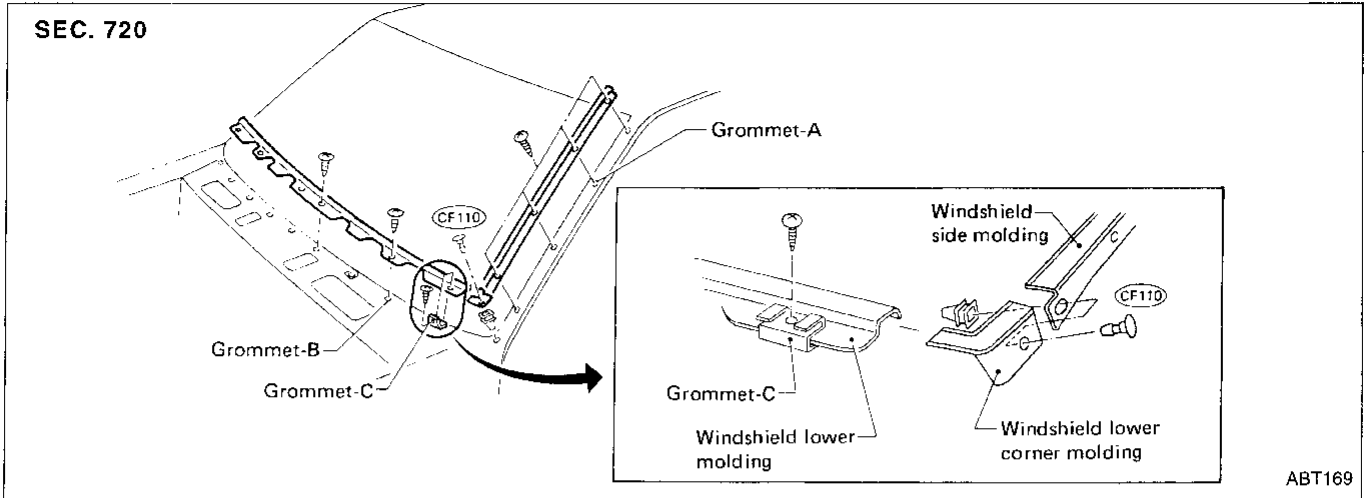
1. Cut off sealant at glass end.
2. Clean the side on which panel was mounted.
3. Set molding fastener and apply sealant & primer to body panel, and apply primer to molding.



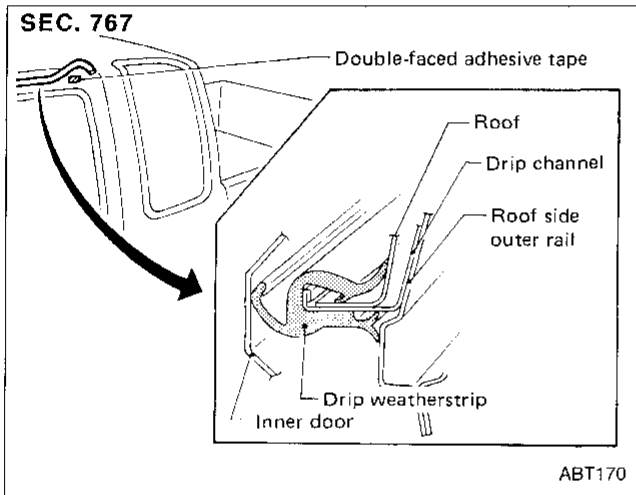
4. Install molding by aligning the molding mark located on center with vehicle center.
Be sure to install tightly so that there is no gap around the corner.

ABT168

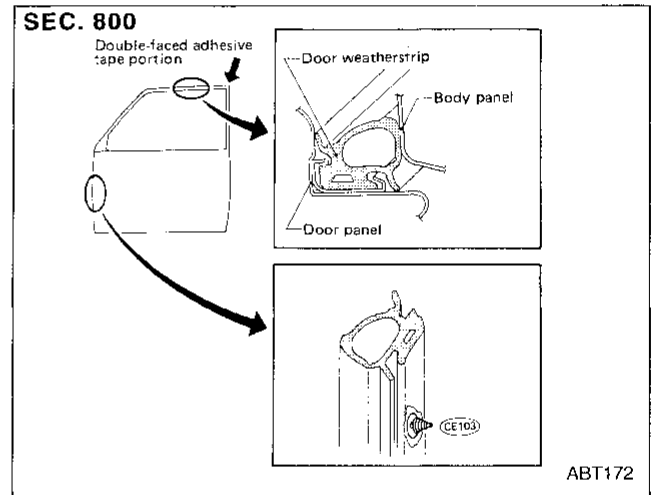
④ ⑤ Windshield side & lower molding



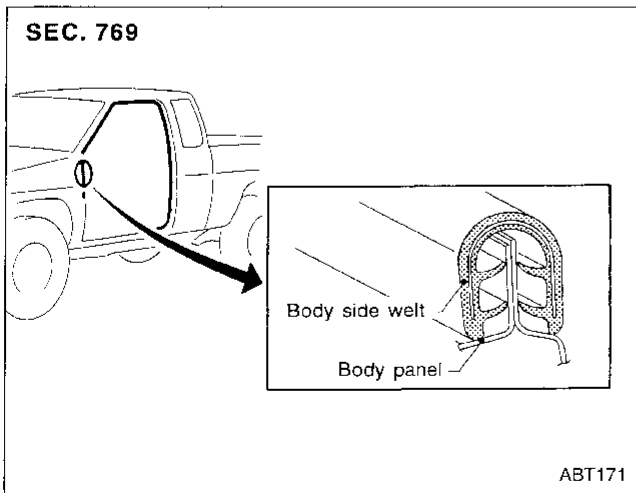
⑥ Drip weatherstrip



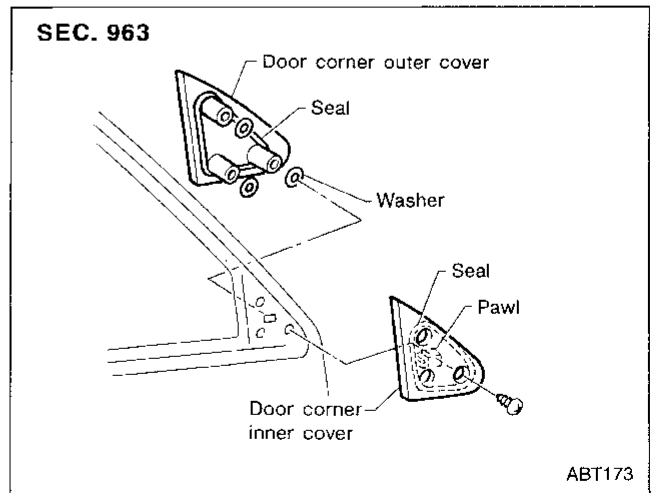
⑧ Door weatherstrip



⑦ Body side welt

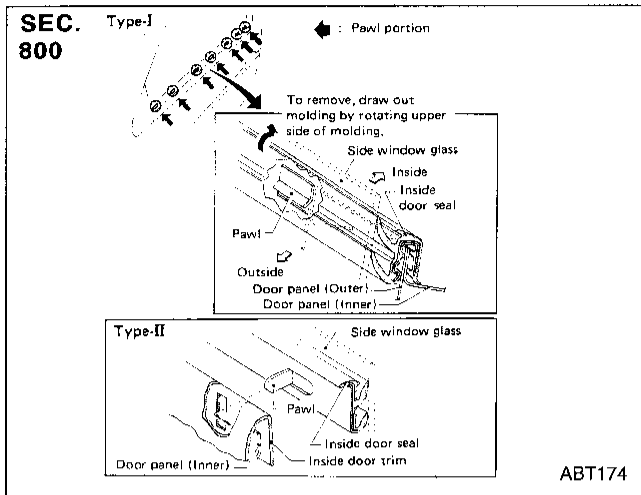


⑨ Door corner cover

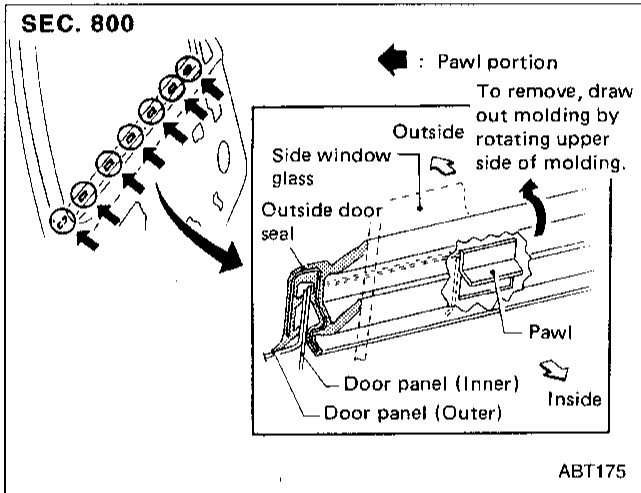


GI
MA
FM
LC
EC
FE
CL
MT
AT
TF
PD
FA
RA
BR
ST
RS
BT
HA
EL
DX

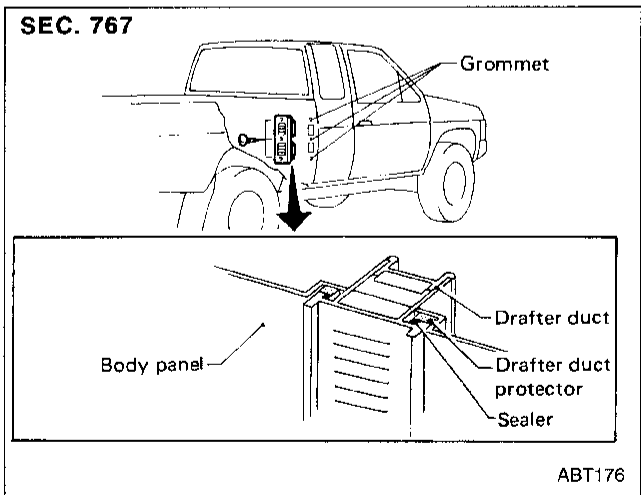
⑩ Door waist inner seal



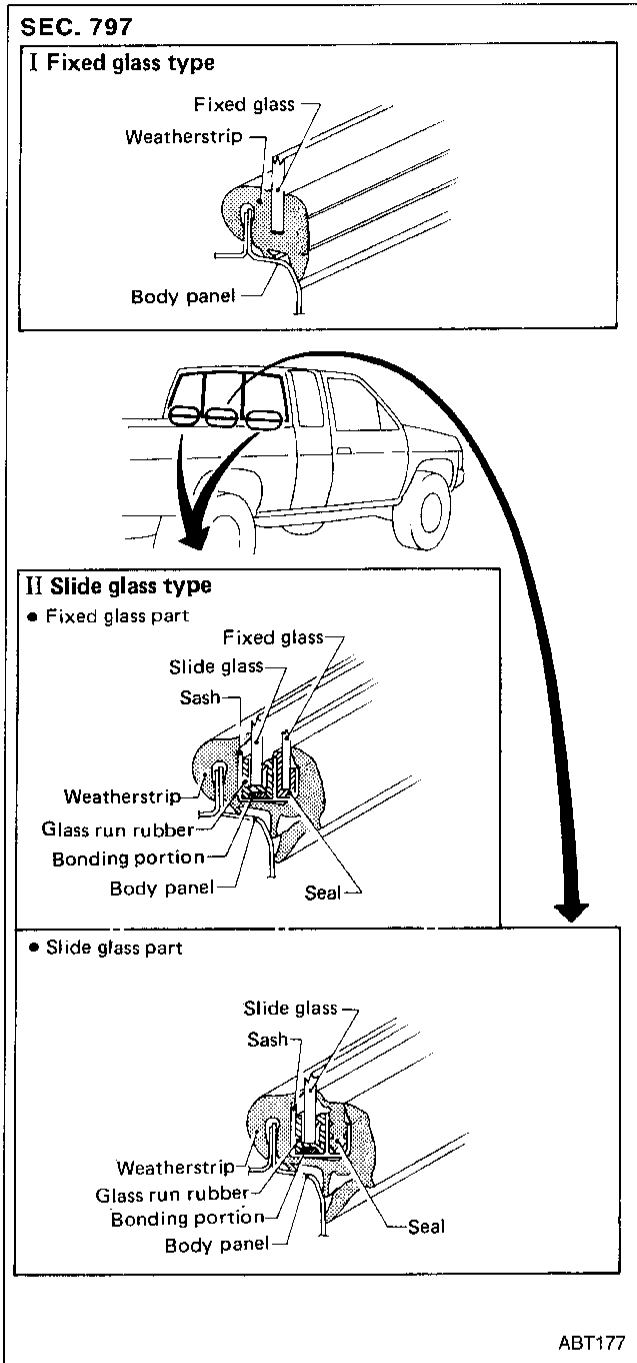
⑪ Door waist outer seal



⑫ Drafter duct

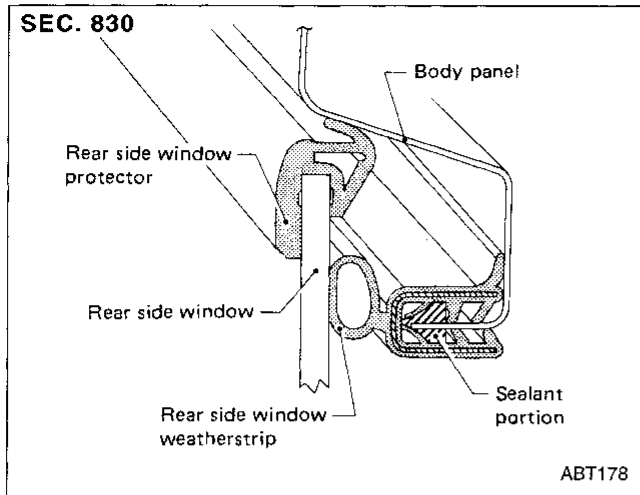


⑬ Back window

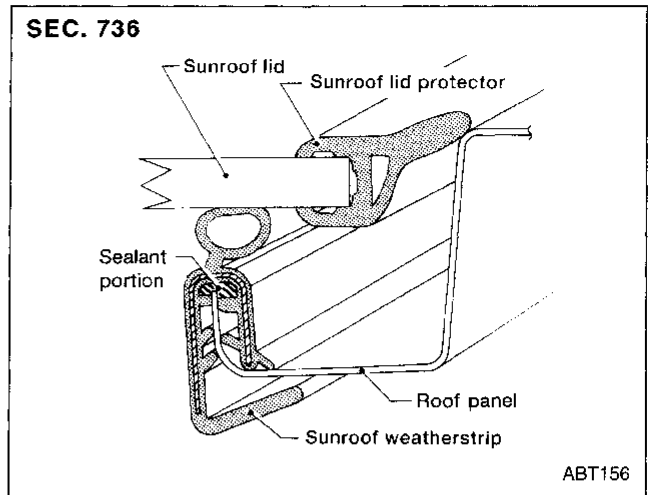


EXTERIOR

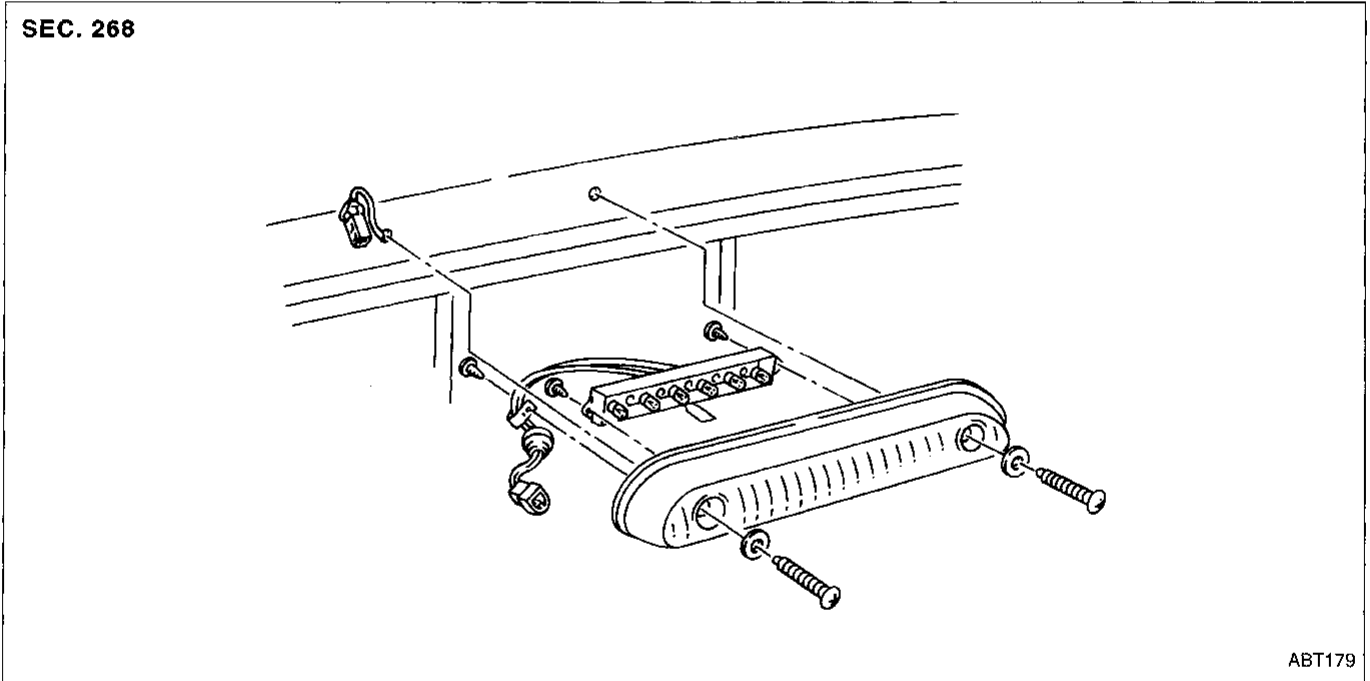
⑭ ⑮ Rear side window weatherstrip and rear side window protector



⑯ ⑰ Sunroof weatherstrip and lid protector



⑱ High-mounted stop lamp

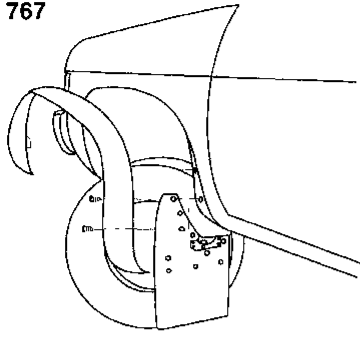


GI
MA
EM
LC
EC
FE
CL
MT
AT
TF
PD
FA
RA
BR
ST
RS
BT
HA
EL
IDX

EXTERIOR

①⑨ ②⑩ Fender protector and mudguard

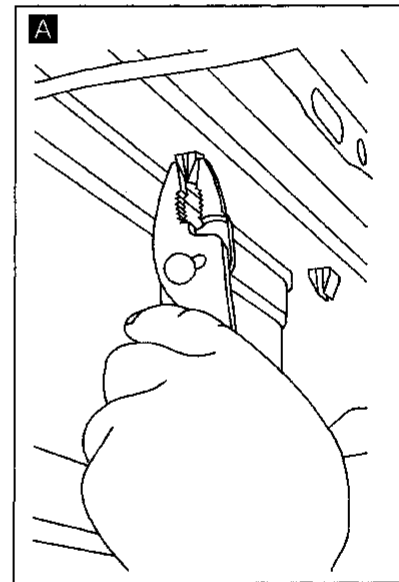
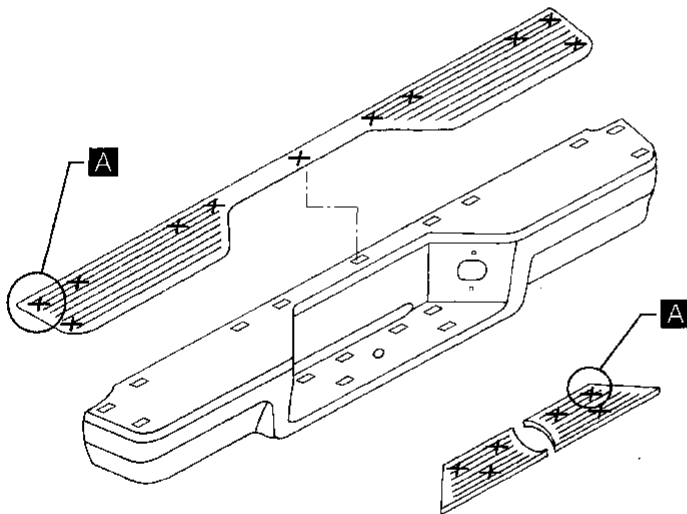
SEC. 767



ABT165

②① Step bumper cover

SEC. 850



ABT166

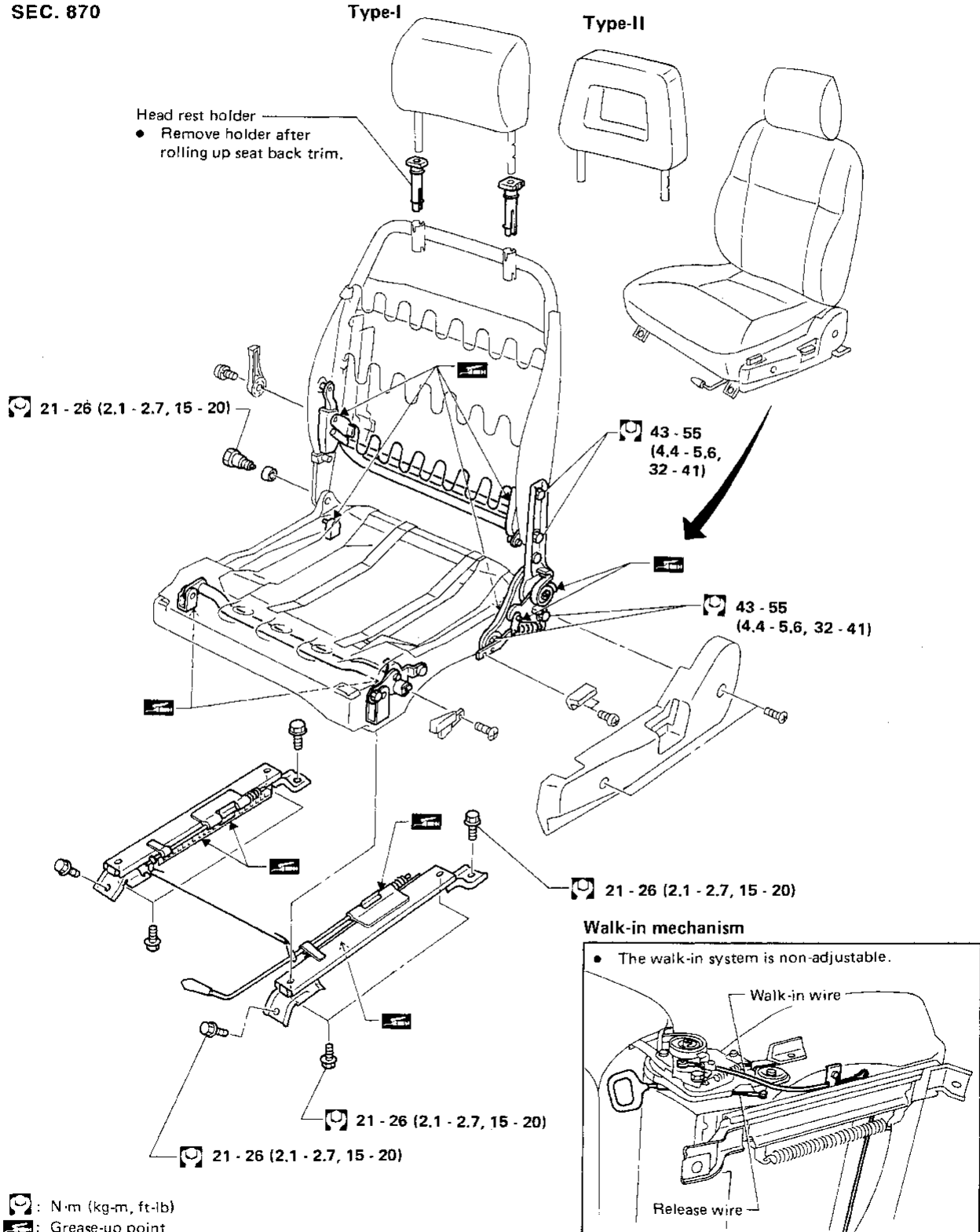
SEAT

- When removing or installing the seat trim, carefully handle it to keep dirt out and avoid damage.

Front Seat

BUCKET SEAT

SEC. 870



: N·m (kg-m, ft-lb)

: Grease-up point

(Do not apply too much grease as it will drip.)

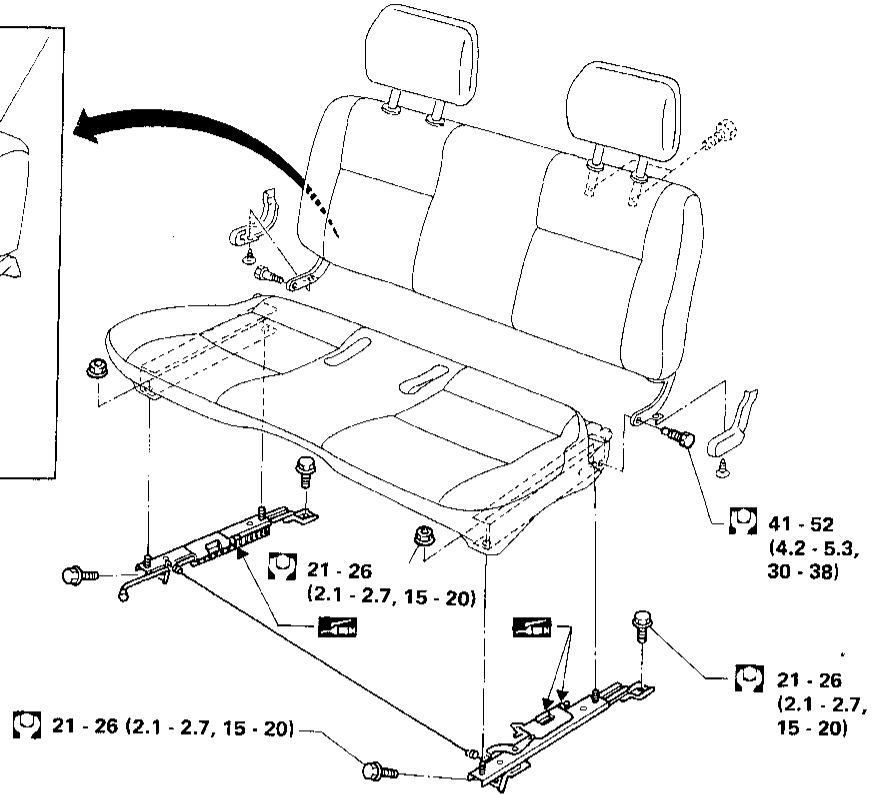
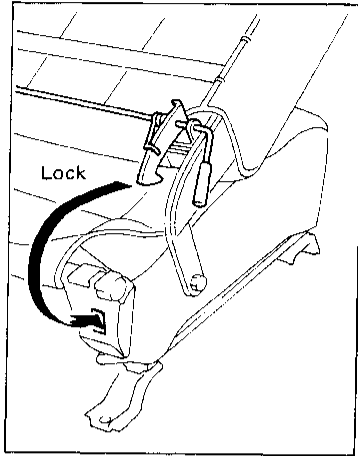
GI
MA
EM
LC
EC
FE
CL
MT
AT
TF
PD
FA
RA
BR
ST
RS
BT
HA
EL
IDX

SEAT

Front Seat (Cont'd)

BENCH SEAT

SEC. 870



: N·m (kg·m, ft·lb)

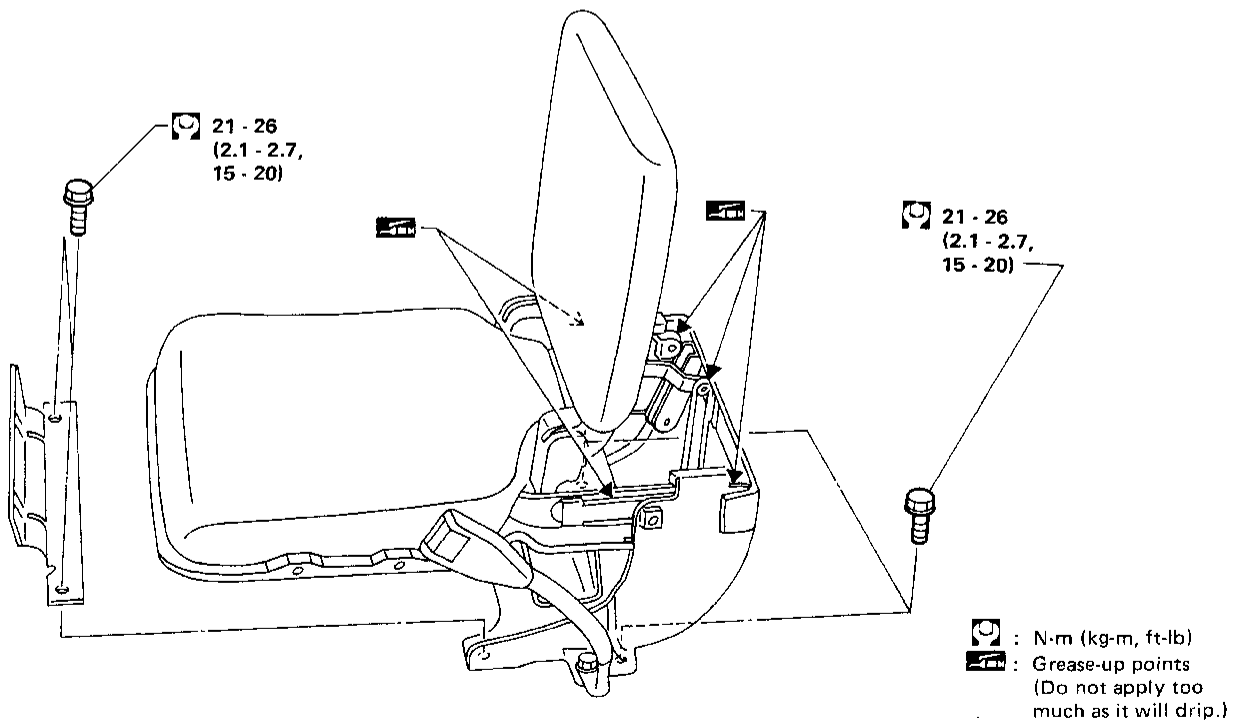


: Grease-up points (Do not apply too much as it will drip.)

ABT181

Jump Seat — King Cab Model

SEC. 880



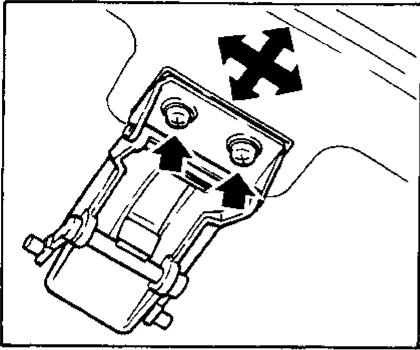
ABT182

SUNROOF

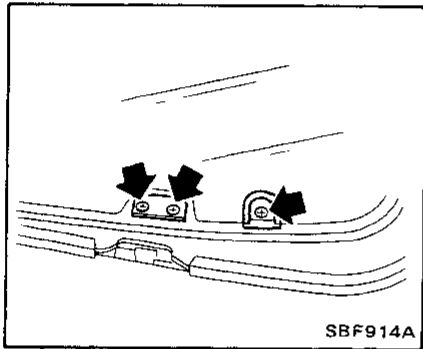
Service Procedure

SEC. 736

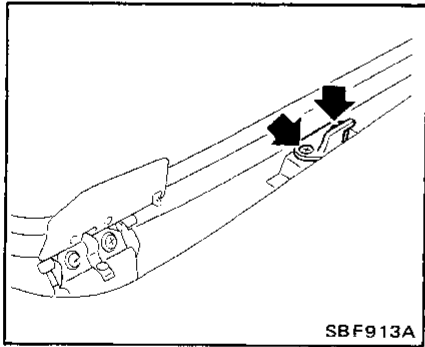
Handle



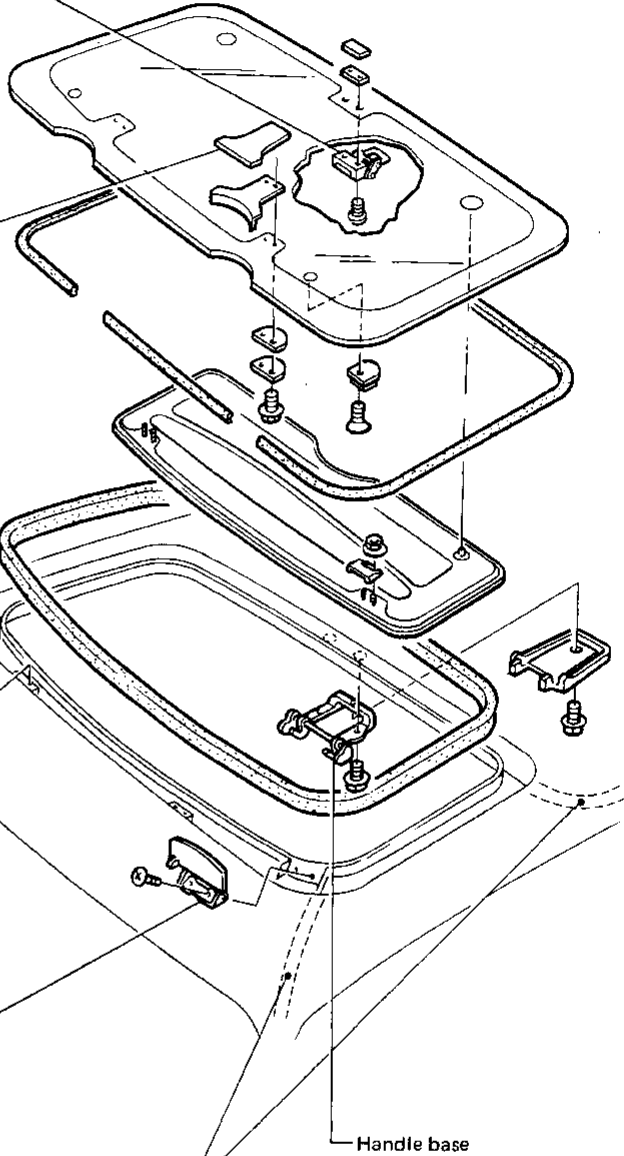
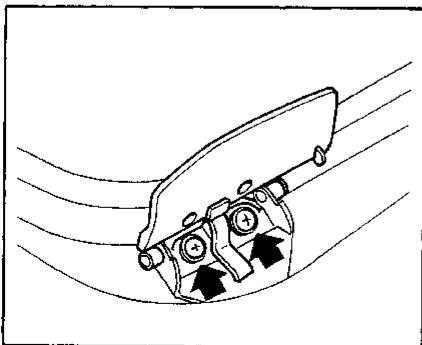
Female hinge



Hinge bracket

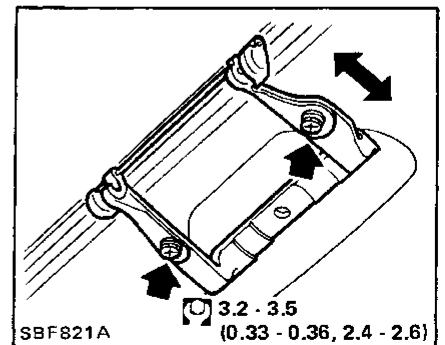



Air deflector



Drain hose

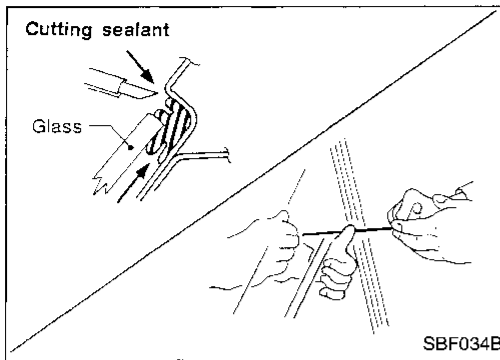
After installation of drain hoses, make sure water drains smoothly.



 : N·m (kg·m, ft·lb)

GI
MA
EM
LC
EC
FE
CL
MT
AT
TF
PD
FA
RA
BR
ST
RS
BT
HA
EL
IDX

WINDSHIELD AND WINDOWS



REMOVAL

After removing moldings, remove glass using piano wire or power cutting tool and an inflatable pump bag.

CAUTION:

Be careful not to scratch glass when removing.

INSTALLATION

- Use genuine Nissan Sealant kit or equivalent. Follow instructions furnished with it.
- After installation, the vehicle should remain stationary until the sealant hardens.

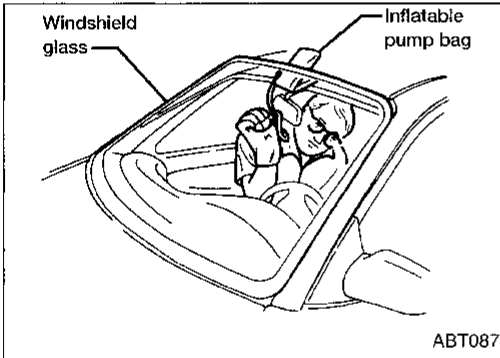
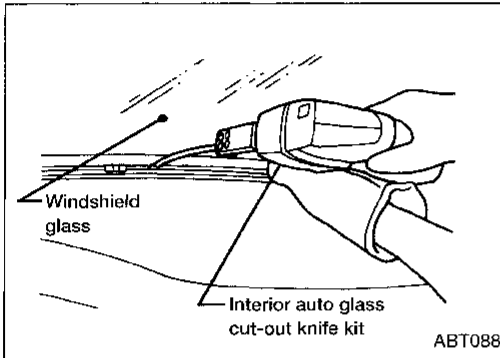
WARNING:

Keep heat and open flames away as primers are flammable.

CAUTION:

Advise the user not to drive the vehicle on rough roads or surfaces for 24 hours after installation.

- Do not use sealant which is past its usable term.
- Do not leave cartridge unattended with its cap open.
- Keep primers and sealant in a cool, dry place. Ideally, they should be stored in a refrigerator.
- Molding must be installed securely so that it is in position and leaves no gap.

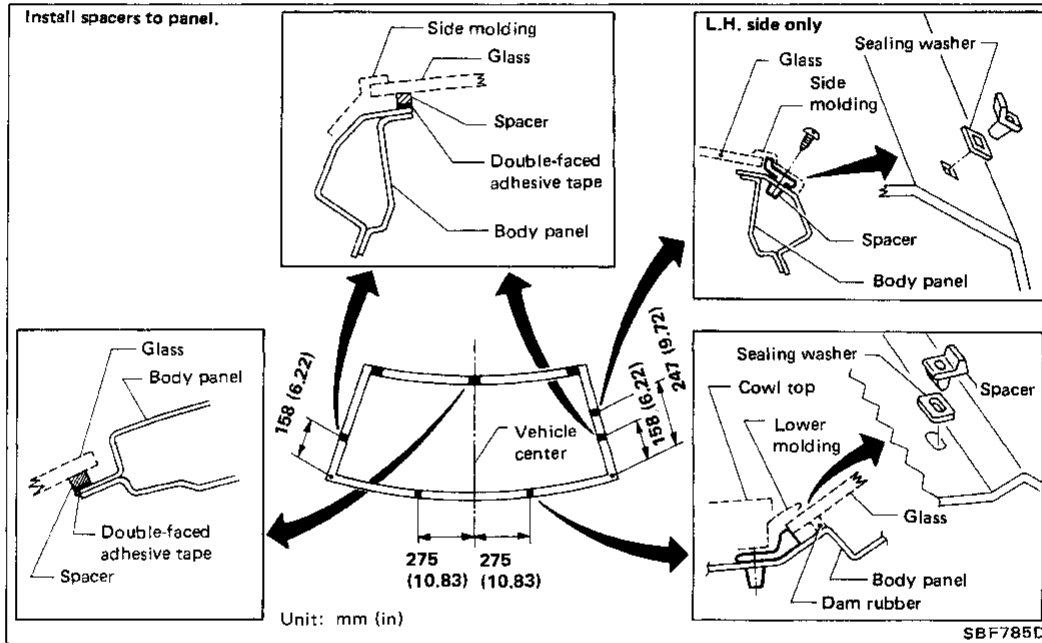
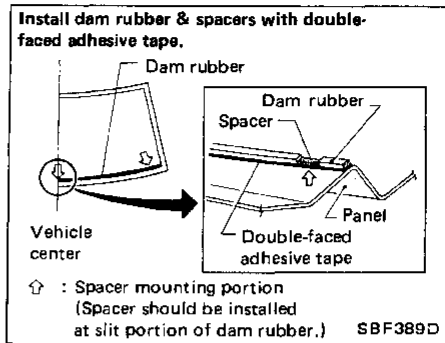
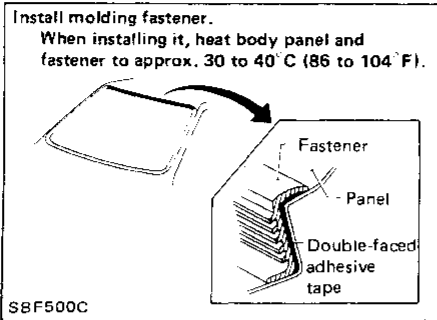


WINDSHIELD AND WINDOWS

Windshield

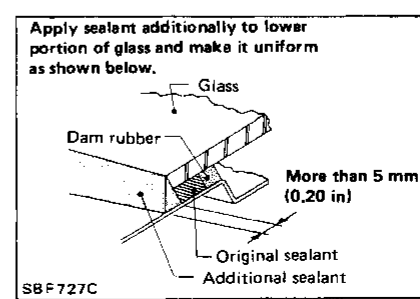
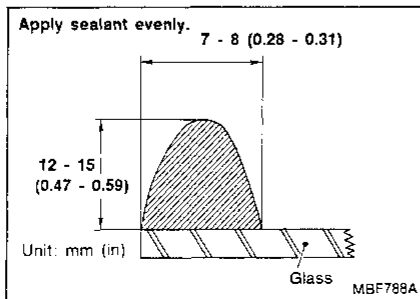
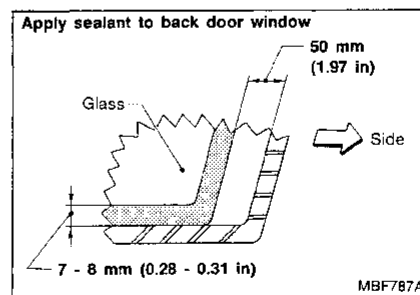
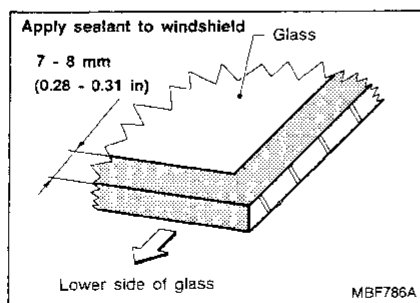
Body side

SEC. 720



ABT184

Sealant application areas



MBF919A

WINDSHIELD AND WINDOWS

Windshield (Cont'd)

REPAIRING WATER LEAKS FOR WINDSHIELD

Leaks can be repaired without removing and reinstalling glass.

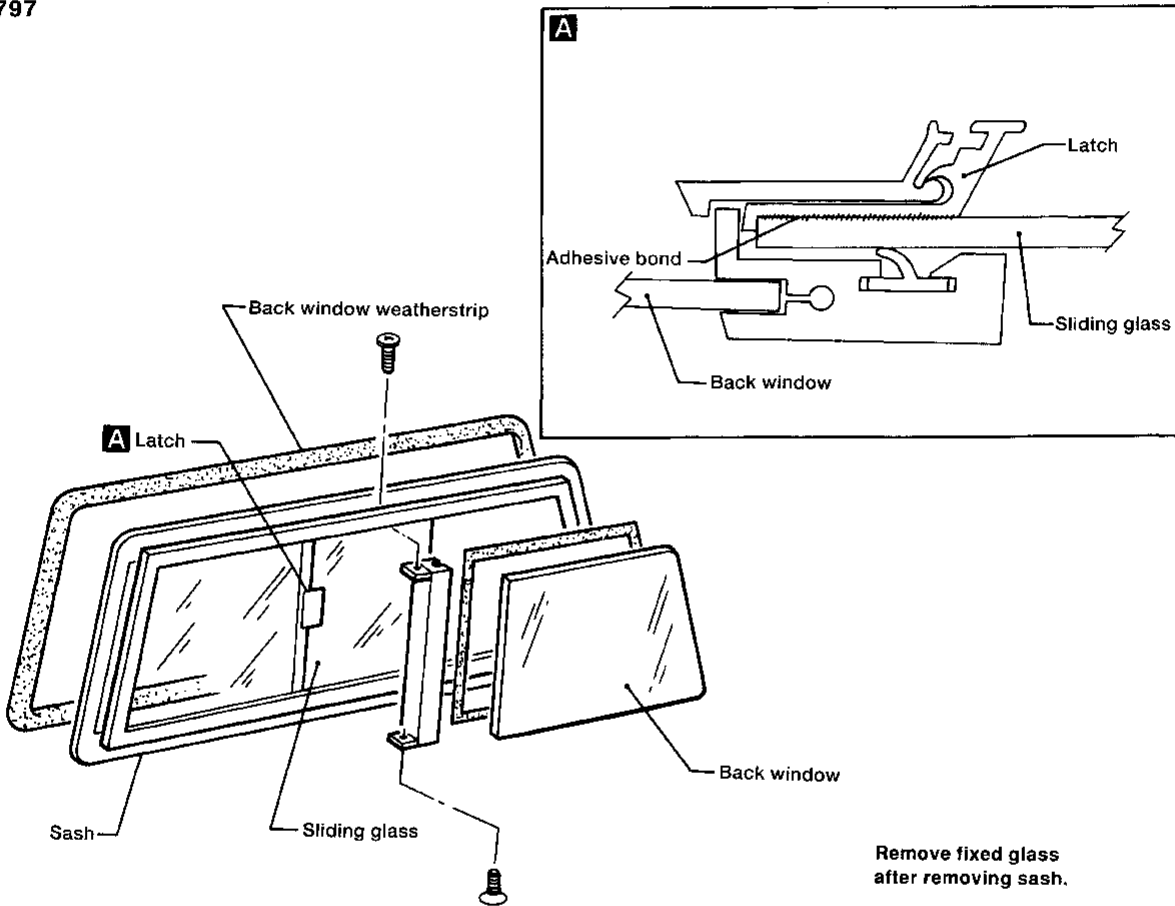
If water is leaking between caulking material and body or glass, determine the extent of the leak. This can be done by applying water while pushing glass outward.

To stop the leak, apply primer (if necessary) and then sealant to the leak point.

Back Window

- Window glass is held in place by weatherstripping. For details regarding weatherstrip, refer to "EXTERIOR", BT-17.
- Using sealant, fill gaps between vehicle body and weatherstrip as necessary.

SEC. 797

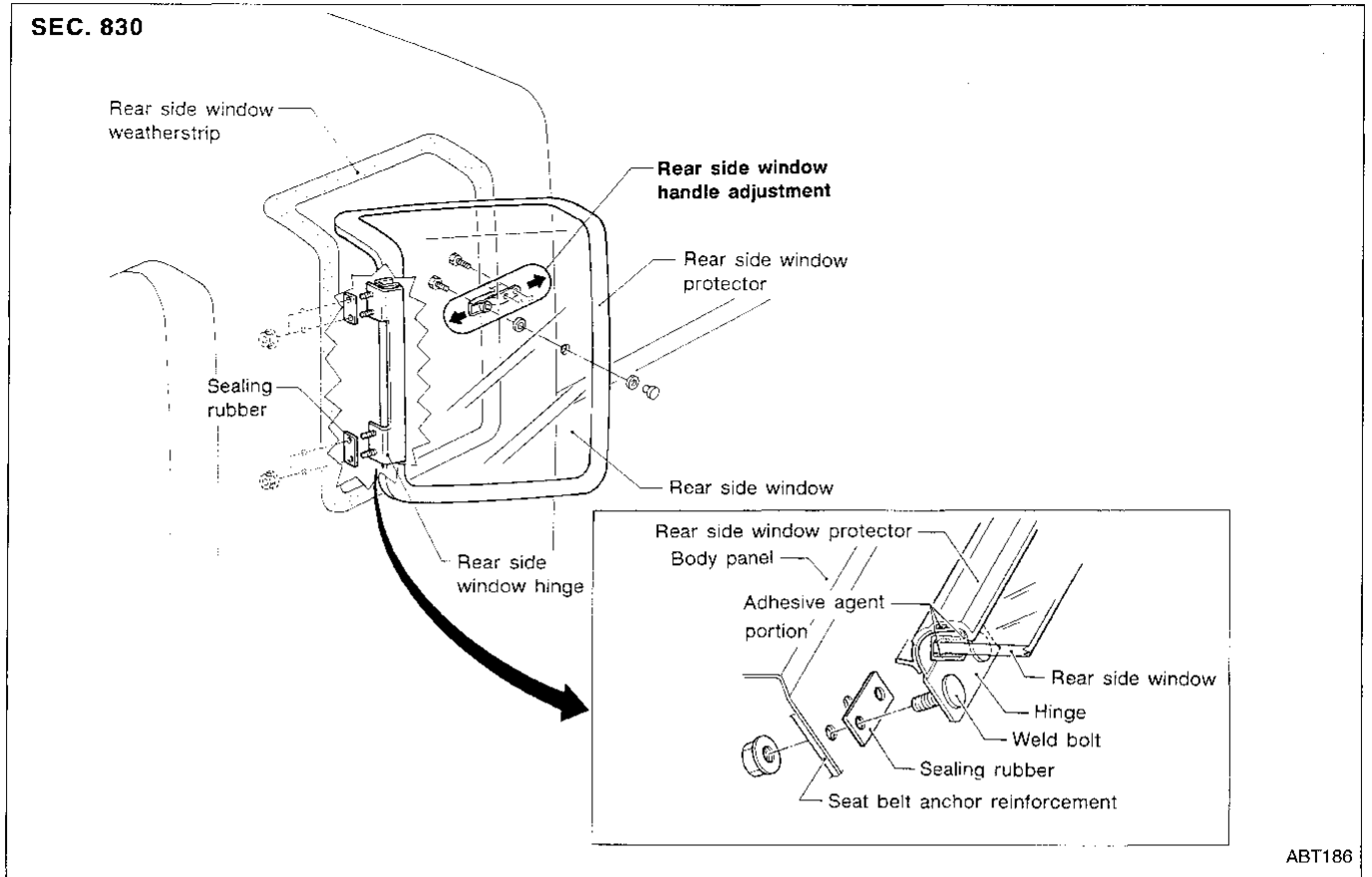


ABT185

WINDSHIELD AND WINDOWS

Rear Side Window

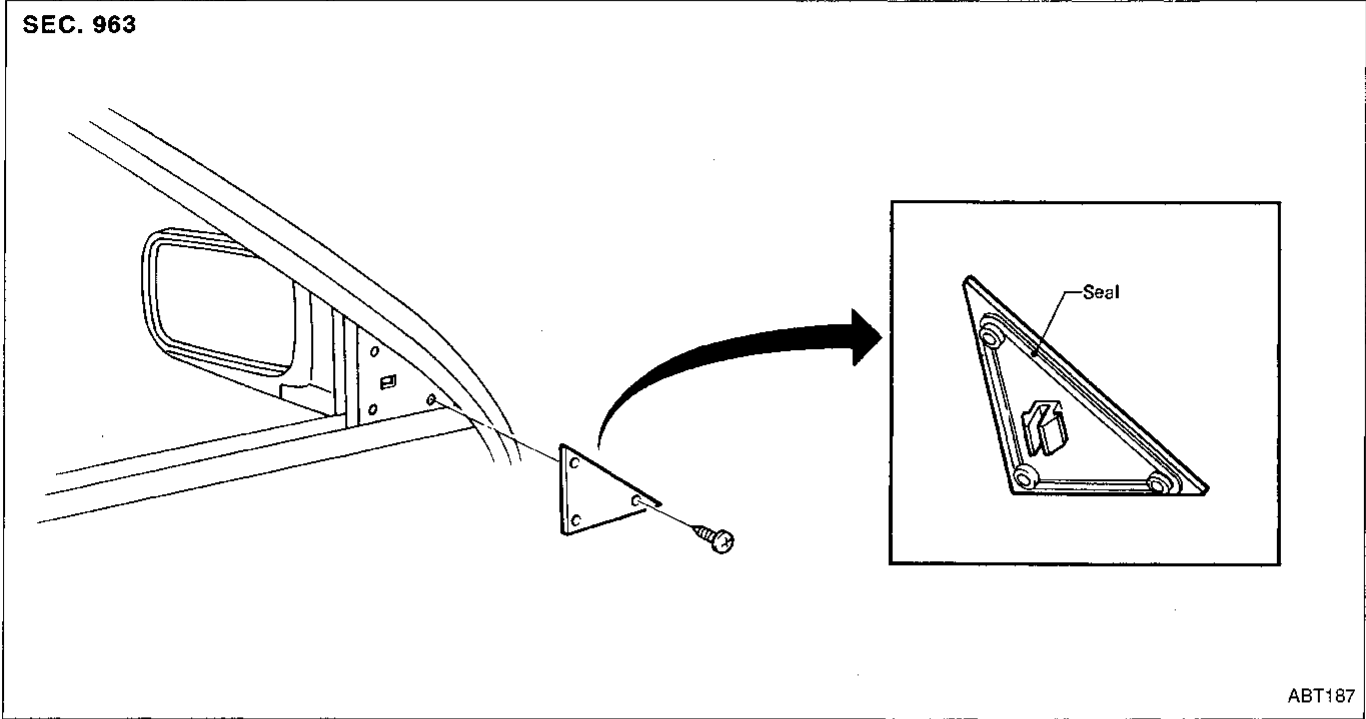
CI
MA
EM
LC
EC
FE
CL
MT
AT
TF
PD
FA
RA
BR
ST
RS
BT
HA
EL
IDX



MIRROR

Door Mirror

SEC. 963



ABT187

★ For Wiring Diagram, refer to "MIRROR" in EL section.

MIRROR

Rearview Mirror

REMOVAL

Remove rearview mirror by pushing deflect spring with screwdriver as shown in the figure.

GI

MA

EM

LC

EC

FE

CL

MT

AT

TF

PD

FA

RA

BR

ST

RS

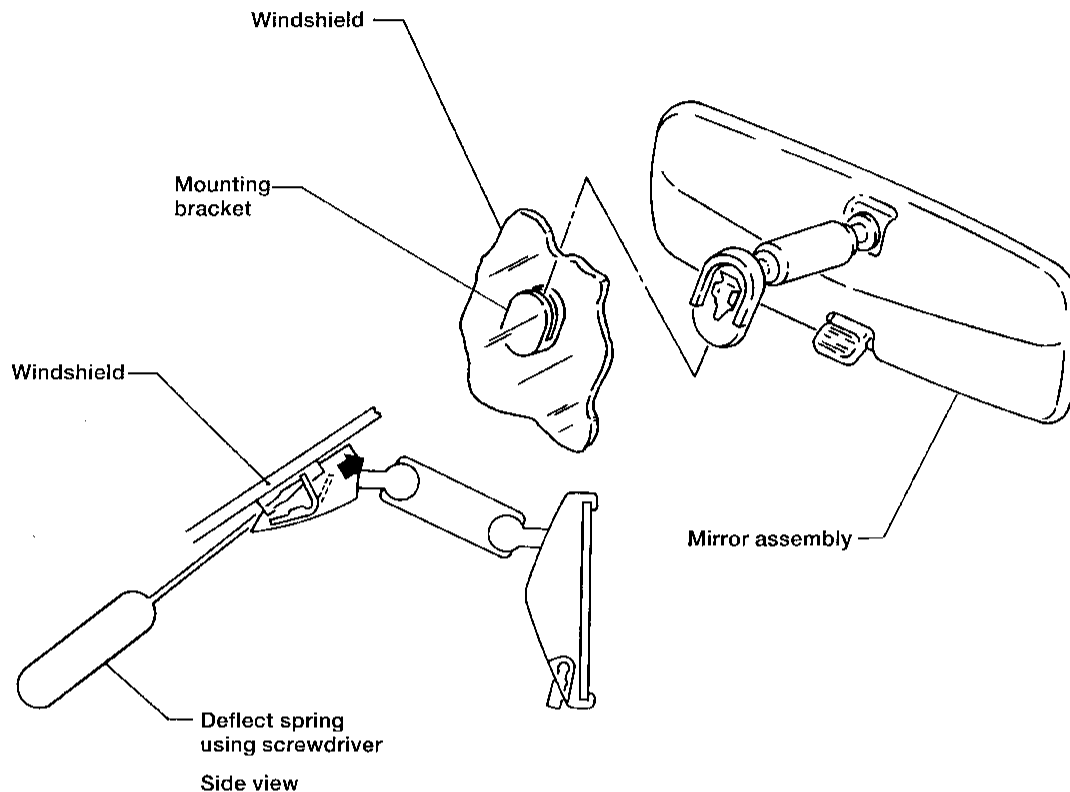
BT

HA

EL

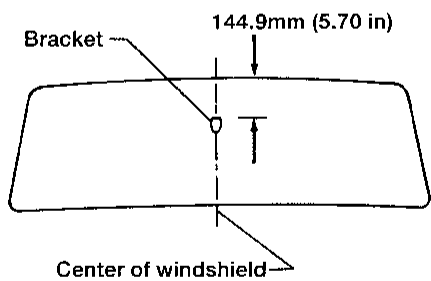
IDX

SEC. 963



ABT188

Mounting bracket location

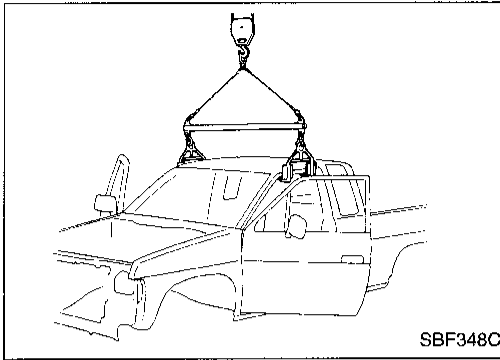


ABF150

INSTALLATION

1. Install mounting bracket as follows:
 - a. Determine mounting bracket position on windshield by measuring from top of windshield to top of mounting bracket as shown in the figure.
 - b. Mark location on outside of windshield with wax pencil or equivalent.
 - c. Clean attaching point on inside of windshield with an alcohol-saturated paper towel.
 - d. Sand bonding surface of mounting bracket with sandpaper (No. 320 or No. 360).
 - e. Clean bonding surface of mounting bracket with an alcohol-saturated paper towel.
 - f. Apply Loctite Adhesive 11067-2 or equivalent to bonding surface of mounting bracket.
 - g. Install mounting bracket at premarked position and press mounting bracket against glass for 30 to 60 seconds.
 - h. After five minutes, wipe off excess adhesive with an alcohol-moistened paper towel.
2. Install rearview mirror.

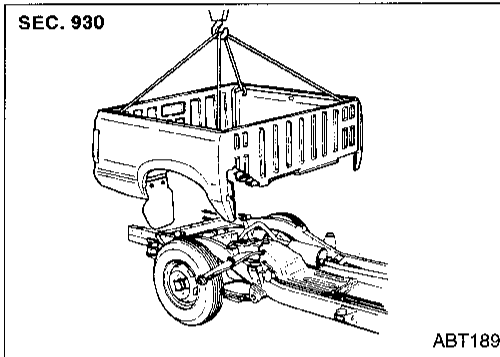
CAB AND REAR BODY



Removal

CAB BODY

- Remove the following parts in engine compartment at least.
 - (1) Main harness and other wiring harnesses
 - Disconnect brake and clutch line in engine compartment.
- Remove the following parts from underbody at least.
 - (1) Transmission and transfer control levers
 - (2) Parking brake control lever and cables
 - (3) Main harness and other wiring harnesses



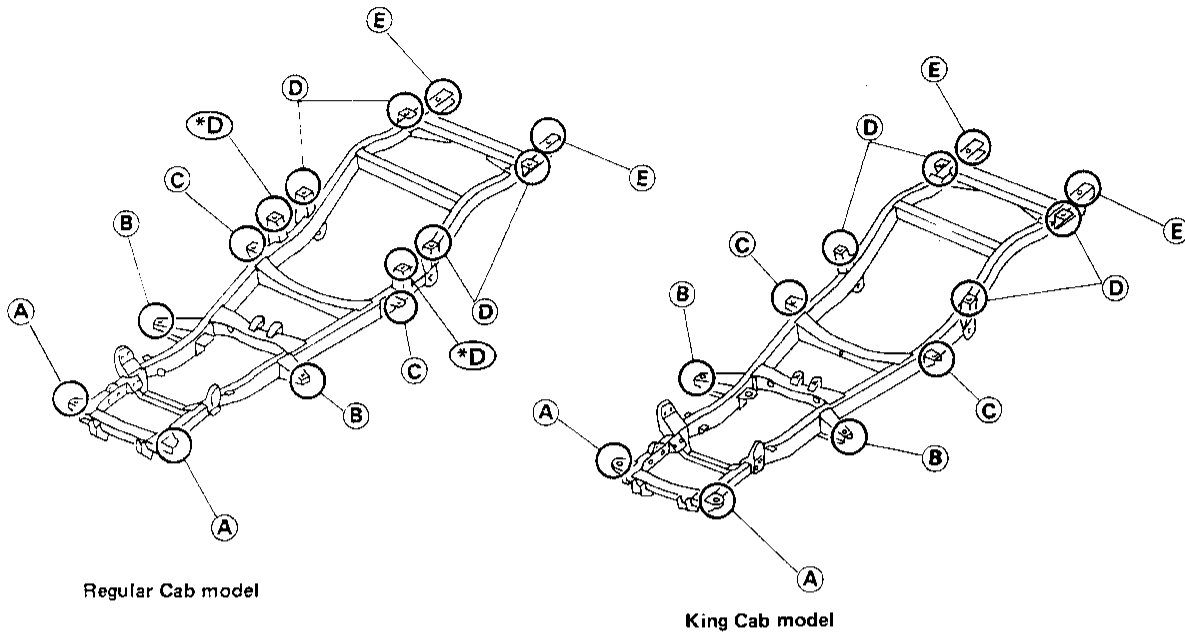
REAR BODY

- Remove the following parts at least.
 - (1) Rear combination lamp and license plate lamp harness
 - (2) Fuel filler tube fixing screws

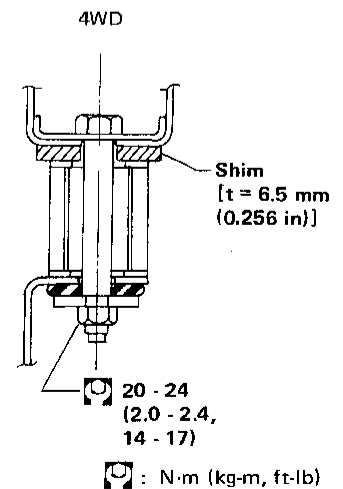
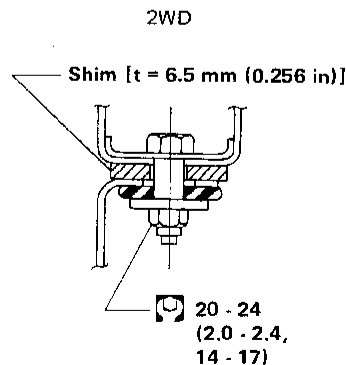
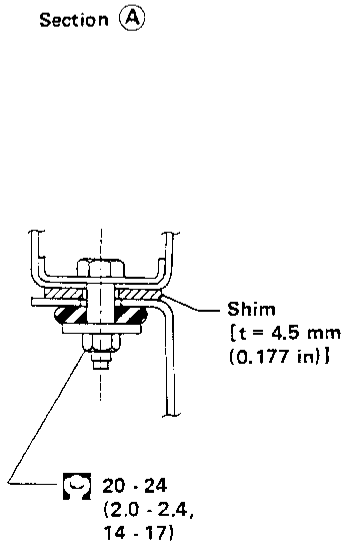
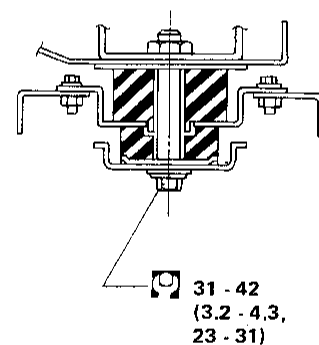
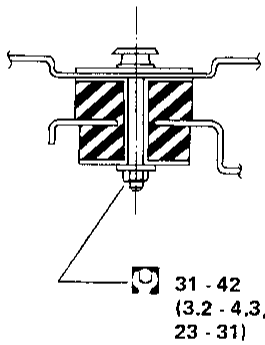
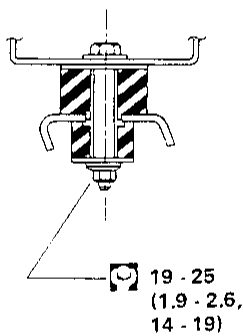
CAB AND REAR BODY

Body Mounting

When removing, be sure to replace bolts and nuts (sealant applied bolts or self-lock nuts are used for all mounting).



(*D) : Except for short wheelbase model (This bracket is not used for body mounting.)



SBF350C

BODY ALIGNMENT

- All dimensions indicated in figures are actual ones.
- When using a tracking gauge, adjust both pointers to equal length. Make sure there is no free play.
- When a measuring tape is used, check to be sure there is no elongation, twisting or bending.
- Measurements should be taken at the center of the mounting holes.
- All measurements and mounting hole diameters are expressed in millimeters (mm).
- An asterisk (*) following the value at the measuring point indicates that the measuring point on the other side is symmetrically the same value.
- The coordinates of the measurement points are the distances measured from the respective dimension lines in the directions of "x", "y" and "z".

Dimension lines: "x" line — Center line of vehicle

"y" line — Center line of front axle (Any measurement point in front of the dimension line refers to a minus "—" value.)

"z" line — Datum line (Any measurement point under the dimension line refers to a minus "—" value.)

2W : 2WD

2W.SB : Short wheelbase (2WD)

4W : 4WD

2W.LB : Long wheelbase (2WD)

SB : Short wheelbase

4W.SB : Short wheelbase (4WD)

LB : Long wheelbase

4W.LB : Long wheelbase (4WD)

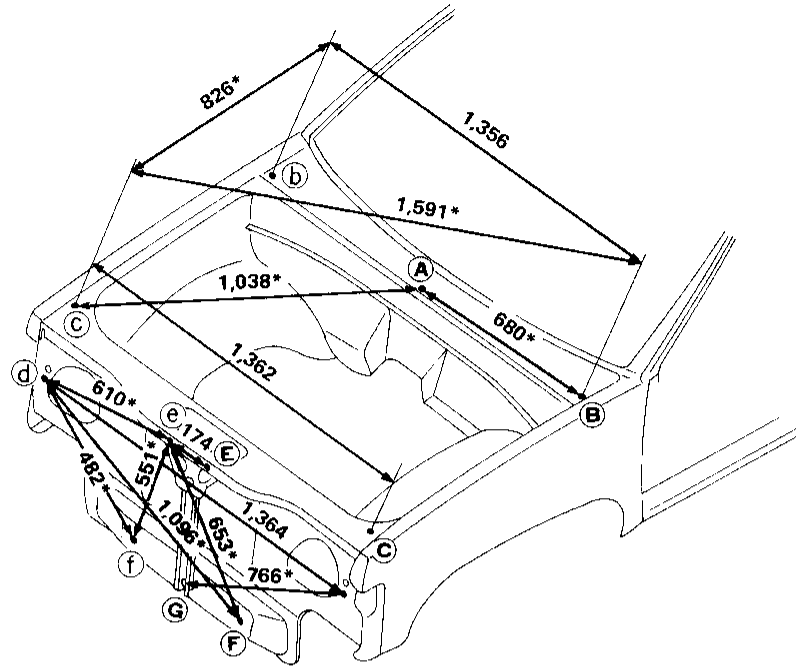
R : Regular Cab

K : King Cab

BODY ALIGNMENT

Engine Compartment

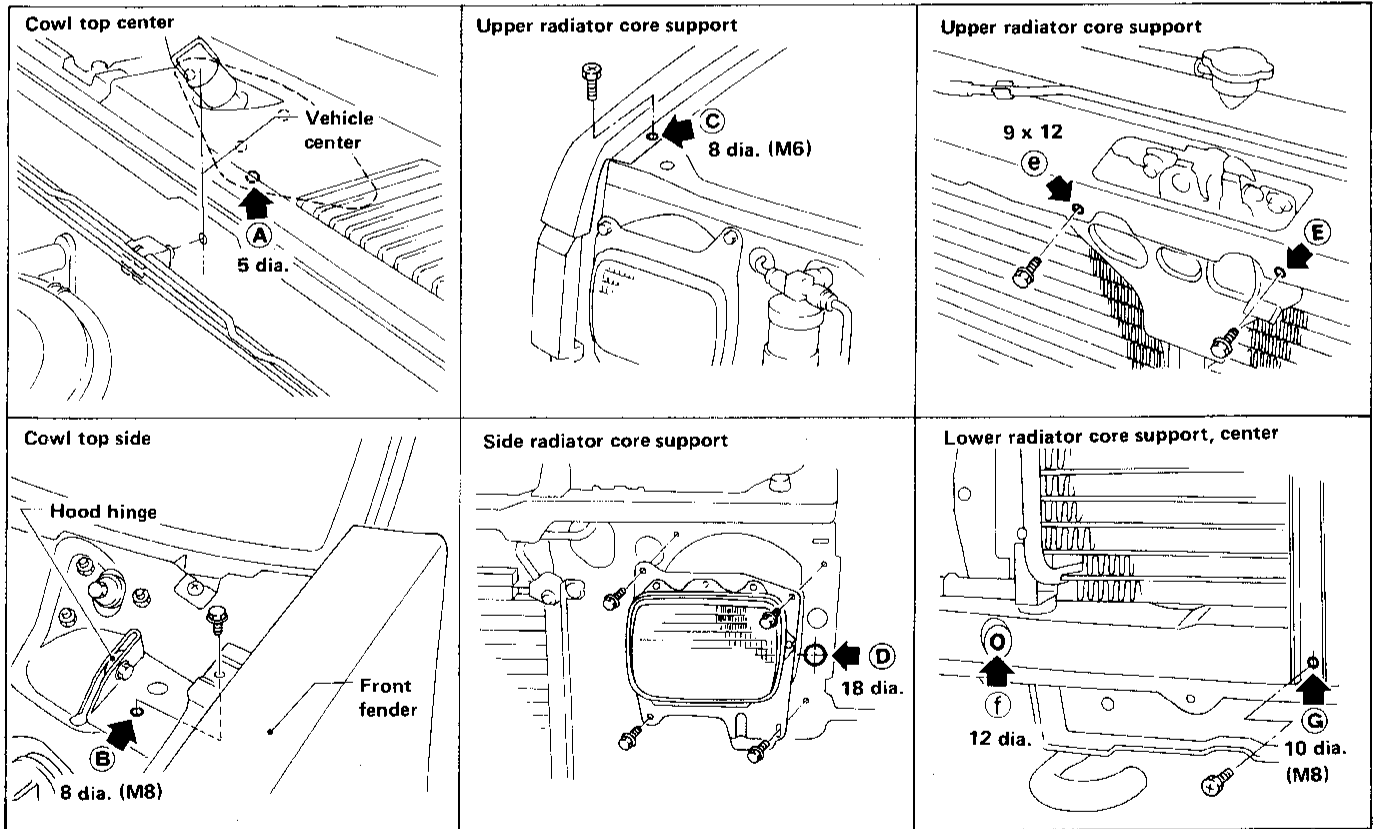
MEASUREMENT



Unit: mm

DETAILED MEASUREMENT POINTS

Unit: mm



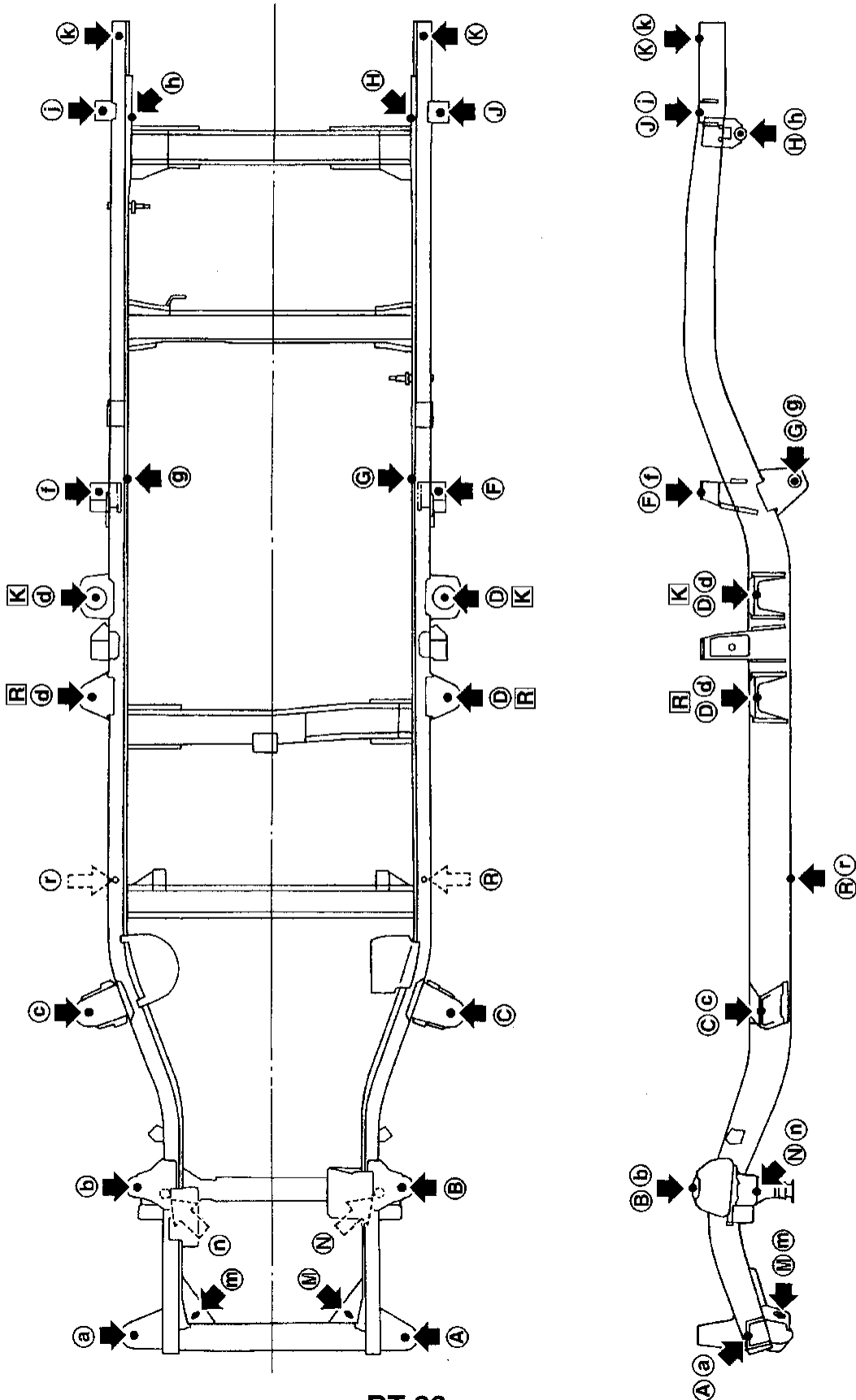
BODY ALIGNMENT

Underbody

MEASUREMENT POINTS

2WD models

R : Regular cab
K : King cab



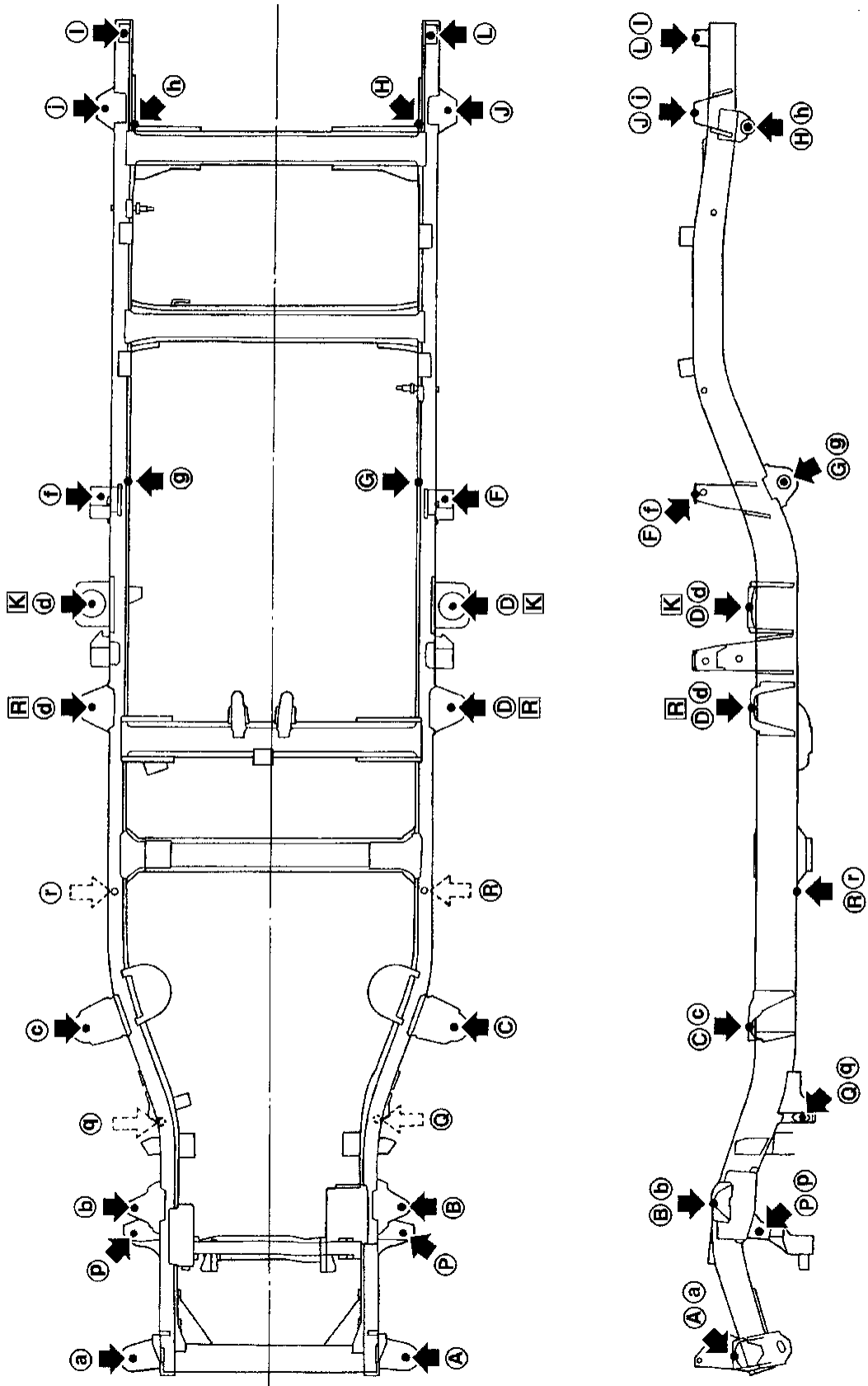
BODY ALIGNMENT

Underbody (Cont'd)

MEASUREMENT POINTS

4WD models

R : Regular cab
K : King cab



- GI
- MA
- EM
- LC
- EC
- FE
- CL
- MT
- AT
- TF
- PD
- FA
- RA
- BR
- ST
- RS
- BT
- HA
- EL
- IDX

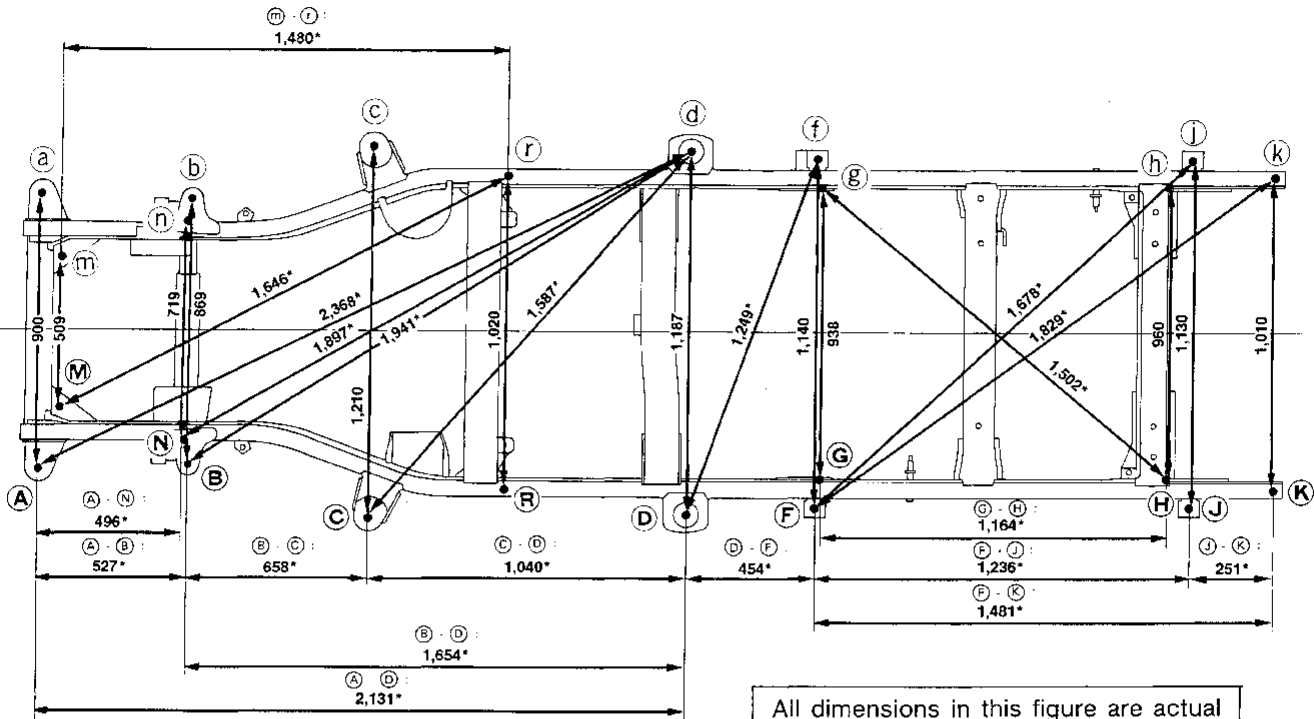
BODY ALIGNMENT

Underbody (Cont'd)

MEASUREMENT

2WD models

Regular Cab

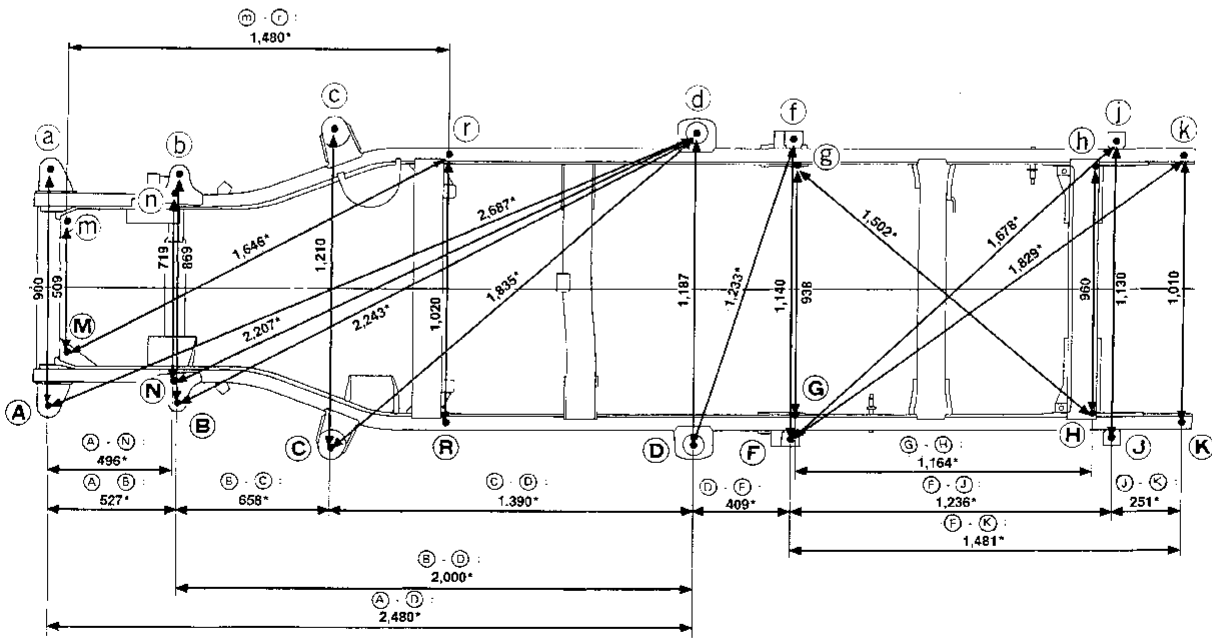


All dimensions in this figure are actual ones.
There are no projected dimensions.

Unit: mm

MBF824AA

King Cab



All dimensions in this figure are actual ones.
There are no projected dimensions.

Unit: mm

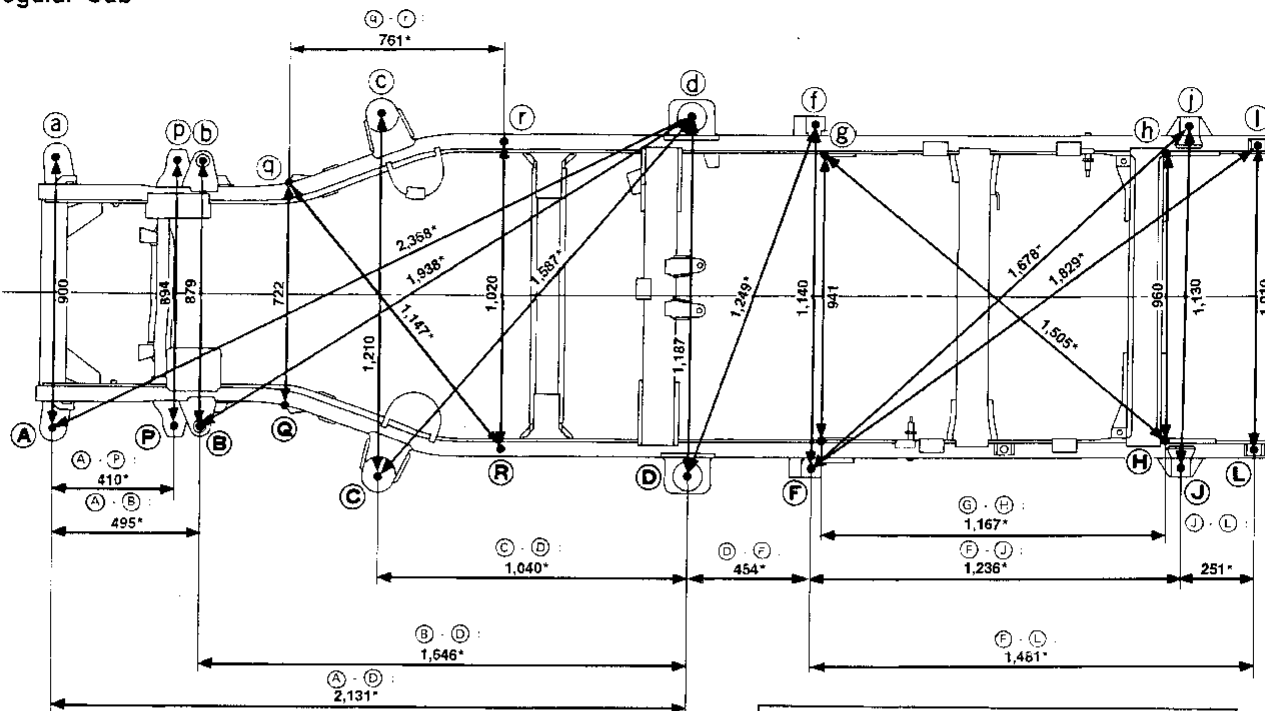
MBF826A

BODY ALIGNMENT

Underbody (Cont'd)

4WD models

Regular Cab

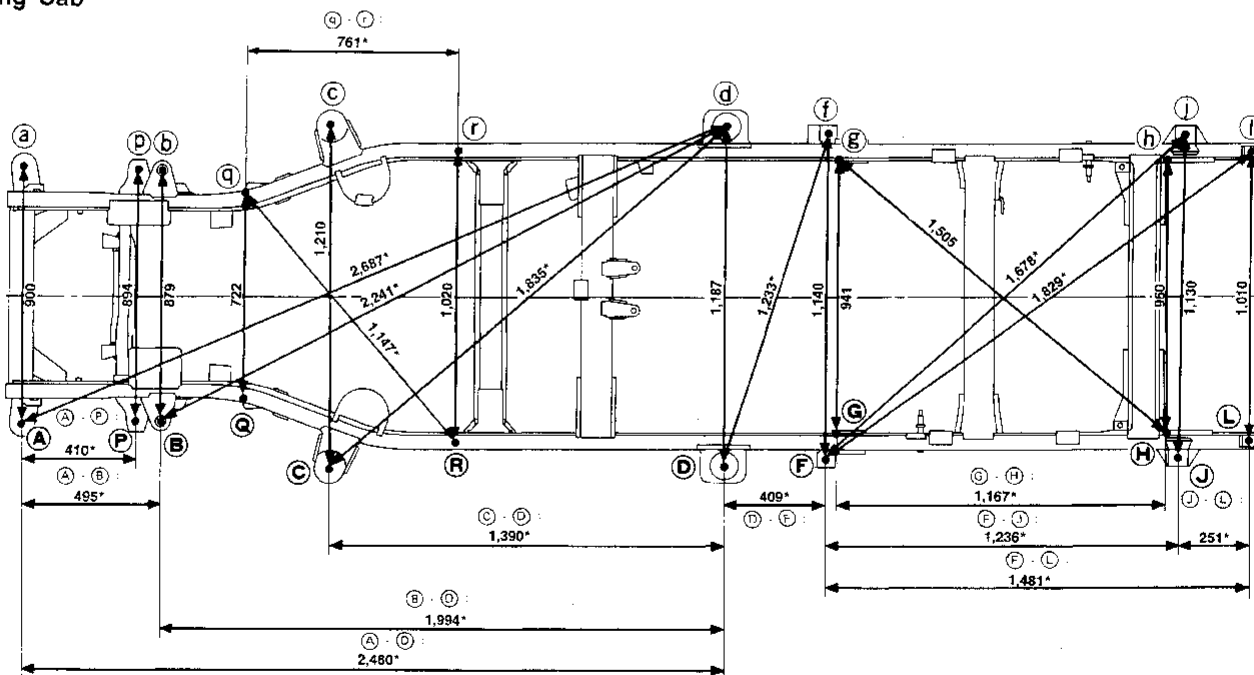


Unit: mm

All dimensions in this figure are actual ones.
There are no projected dimensions.

MBF827AA

King Cab



Unit: mm

All dimensions in this figure are actual ones.
There are no projected dimensions.

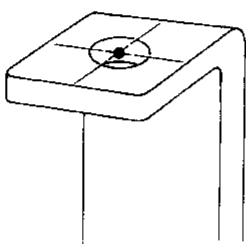
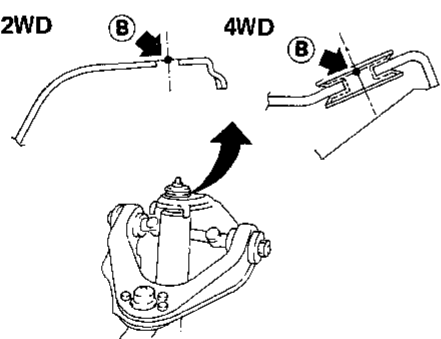
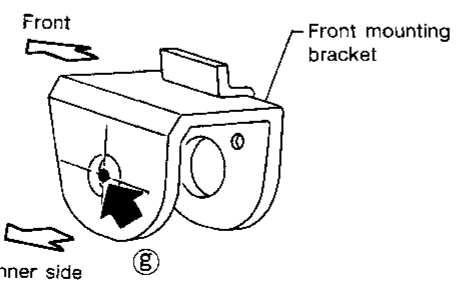
MBF829A

GI
MA
EM
LC
EC
FE
CL
MT
AT
TF
PD
FA
RA
BR
ST
RS
BT
HA
EL
IDX

BODY ALIGNMENT

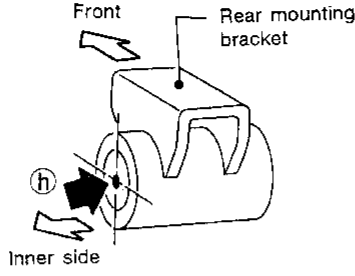
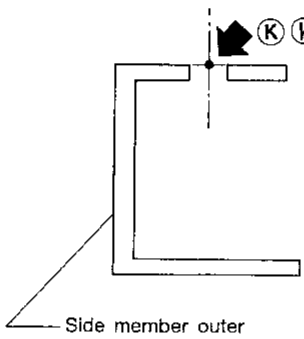
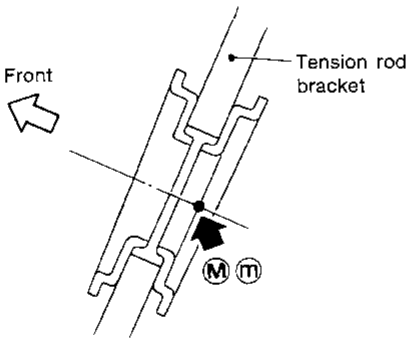
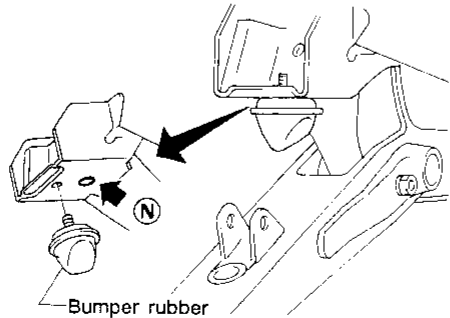
Underbody (Cont'd)

DETAILED MEASUREMENT POINTS

Points	Hole dia. mm	Detailed points	Coordinates mm			
			"x"	"y"	"z"	
(A) (a)	24	<p style="text-align: center;">Center of hole on top of bracket</p> 	450.0	-488.5	(2W) : 21.2	
(C) (c)	28				(4W) : 71.2	
(D) (d)	85				(2W) : -28.2	
(F) (f)	18				(4W) : 21.8	
(J) (j)	18				(R) : 1,637.0	
(L) (l)	22	(K) : 1,987.0	(2W) : -15.0			
					(4W) : 35.0	
			570.0	(SB) : 2,050.0	(2W) : 171.8	
				(LB) : 2,350.0	(4W) : 221.8	
			565.0	(SB) : 3,286.0	(2W) : 171.8	
				(LB) : 3,586.0	(4W) : 221.8	
			505.0	(SB) : 3,530.0	(2W) : 220.0	
				(LB) : 3,830.0	(4W) : 221.8	
(B) (b)	(2W) : 15 (4W) : 15.3		Hole for front shock absorber mounting at the bracket	(2W) : 434.7 (4W) : 439.7	(2W) : 5.6 (4W) : 1.4	(2W) : 203.2 (4W) : 142.0
(G) (g)	12		Hole for rear spring front mounting at the bracket	(2W) : 469.0 (4W) : 470.5	(2W.SB) : 2,059.0 (2W.LB) : 2,359.0 (4W.SB) : 2,080.0 (4W.LB) : 2,380.0	(2W) : -152.0 (4W) : -86.0

BODY ALIGNMENT

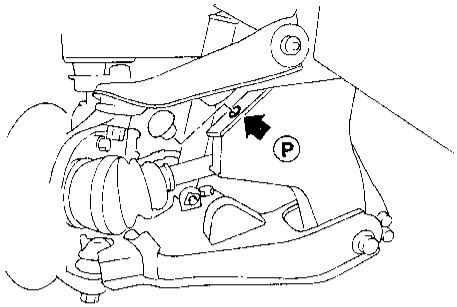
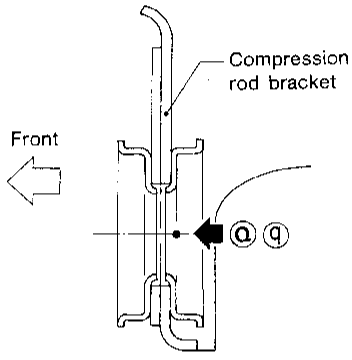
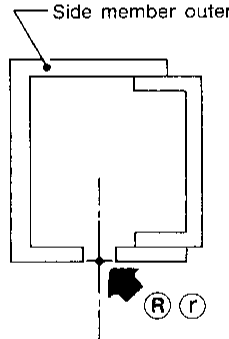
Underbody (Cont'd)

Points	Hole dia. mm	Detailed points	Coordinates mm		
			"x"	"y"	"z"
(H) (h)	33	 <p>Hole for rear spring rear mounting at the bracket</p> <p style="text-align: right;">SBF796G</p>	480.0	<div style="border: 1px solid black; padding: 2px;">2W.SB</div> 3,209.0 <div style="border: 1px solid black; padding: 2px;">2W.LB</div> 3,509.0 <div style="border: 1px solid black; padding: 2px;">4W.SB</div> 3,240.0 <div style="border: 1px solid black; padding: 2px;">4W.LB</div> 3,540.0	<div style="border: 1px solid black; padding: 2px;">2W</div> 30.0 <div style="border: 1px solid black; padding: 2px;">4W</div> 43.0
(K) (k)	22	 <p>Hole for body mounting at rear of side member outer</p> <p style="text-align: right;">SBF797G</p>	505.0	<div style="border: 1px solid black; padding: 2px;">SB</div> 3,530.0 <div style="border: 1px solid black; padding: 2px;">LB</div> 3,830.0	170.0
(M) (m)	27	 <p>Hole for tension rod mounting at the bracket</p> <p style="text-align: right;">SBF798G</p>	254.6	-417.1	-92.3
(N) (n)	9	 <p>Hole for locating at bound bumper bracket</p> <p style="text-align: right;">SBF799G</p>	359.5	-3.2	-23.5

CI
MA
EM
LC
EC
FE
CL
MT
AT
TF
PD
FA
RA
BR
ST
RS
BT
HA
EL
IDX

BODY ALIGNMENT

Underbody (Cont'd)

Points	Hole dia. mm	Detailed points	Coordinates mm			
			"x"	"y"	"z"	
Ⓟ Ⓟ	10.5	 <p style="text-align: right;">SBF800G</p>	Hole for rebound bumper mounting at lower link bracket	447.0	-88.0	-14.9
Ⓠ Ⓠ	27	 <p style="text-align: right;">SBF801G</p>	Hole for compression rod mounting at the bracket	361.1	294.5	-158.9
Ⓡ Ⓡ	13	 <p style="text-align: right;">SBF802G</p>	Hole for waxing at lower side of side member outer	510.0	1,040.0	-135.0