

# REAR AXLE AND REAR SUSPENSION

## SECTION **RA**

### CONTENTS

<b>REAR AXLE AND REAR SUSPENSION</b> .....	2
2WD TRUCK MODELS.....	2
<b>REAR AXLE</b> .....	3
Disc Brake Type.....	3
Components .....	3

GI

MA

EM

LC

EF &  
EC

FE

CL

MT

AT

TF

PD

FA

**RA**

BR

ST

BF

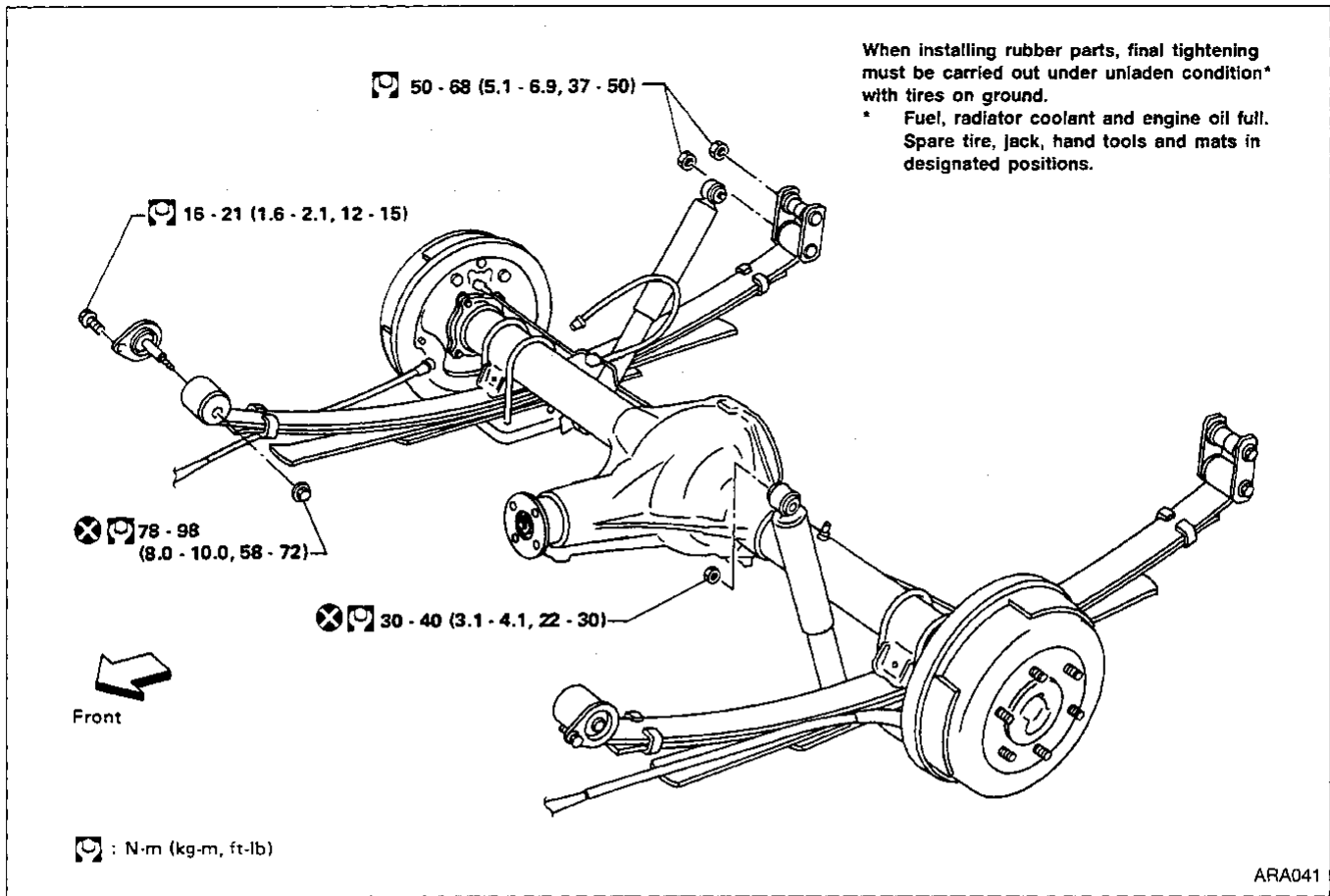
HA

EL

IDX

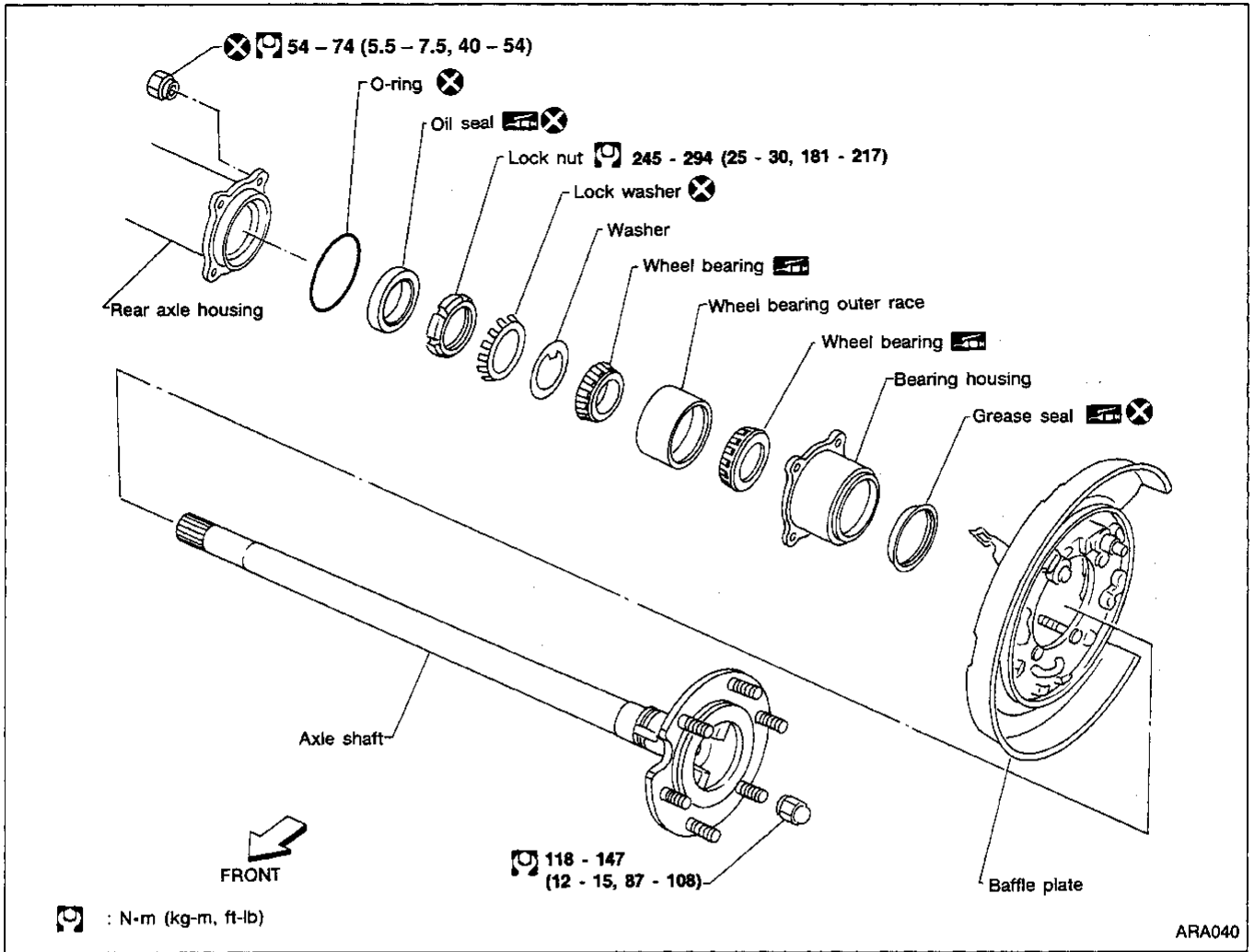
# REAR AXLE AND REAR SUSPENSION

## 2WD TRUCK MODELS



# REAR AXLE

## Disc Brake Type COMPONENTS



GI  
MA  
EM  
LC  
EF &  
EC  
FE  
CL  
MT  
AT  
TF  
PD  
FA  
RA  
BR  
ST  
BF  
HA  
EL  
IDX