

ENGINE LUBRICATION & COOLING SYSTEMS

SECTION LC

GI

MA

EM

LC

EC

FE

CL

MT

AT

FA

RA

BR

ST

RS

BT

HA

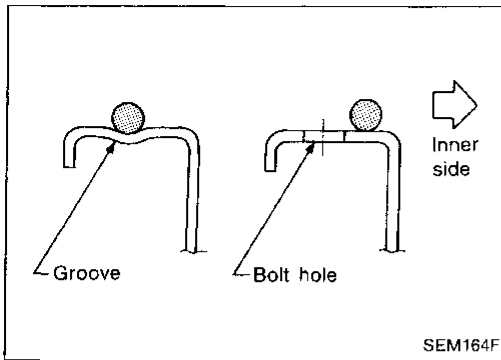
EL

DX

CONTENTS

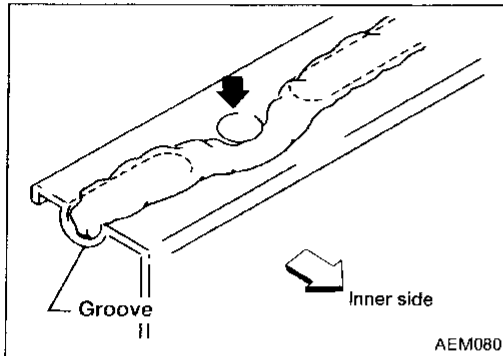
PRECAUTIONS AND PREPARATION	2	System Check	8
Liquid Gasket Application Procedure	2	Water Pump	8
Special Service Tools	2	Thermostat	13
ENGINE LUBRICATION SYSTEM	3	Radiator	14
Lubrication Circuit	3	Cooling Fan Control System	14
Oil Pressure Check	4	Overheating Cause Analysis	15
Oil Pump	4	SERVICE DATA AND SPECIFICATIONS (SDS)	16
ENGINE COOLING SYSTEM	7	Engine Lubrication System	16
Cooling Circuit	7	Engine Cooling System	16

PRECAUTIONS AND PREPARATION



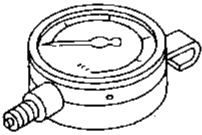
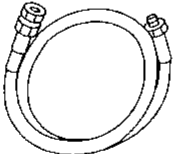
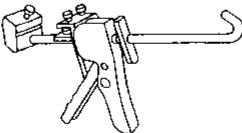
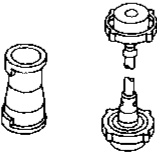
Liquid Gasket Application Procedure

- a. Use a scraper to remove all traces of old liquid gasket from mating surfaces and grooves. Also, completely clean any oil from these areas.
- b. Apply a continuous bead of liquid gasket to mating surfaces. (Use Genuine Liquid Gasket or equivalent.)
- c. Apply liquid gasket around the inner side of bolt holes (unless otherwise specified).
- d. Assembly should be done within 5 minutes after coating.
- e. Wait at least 30 minutes before refilling engine oil and engine coolant.



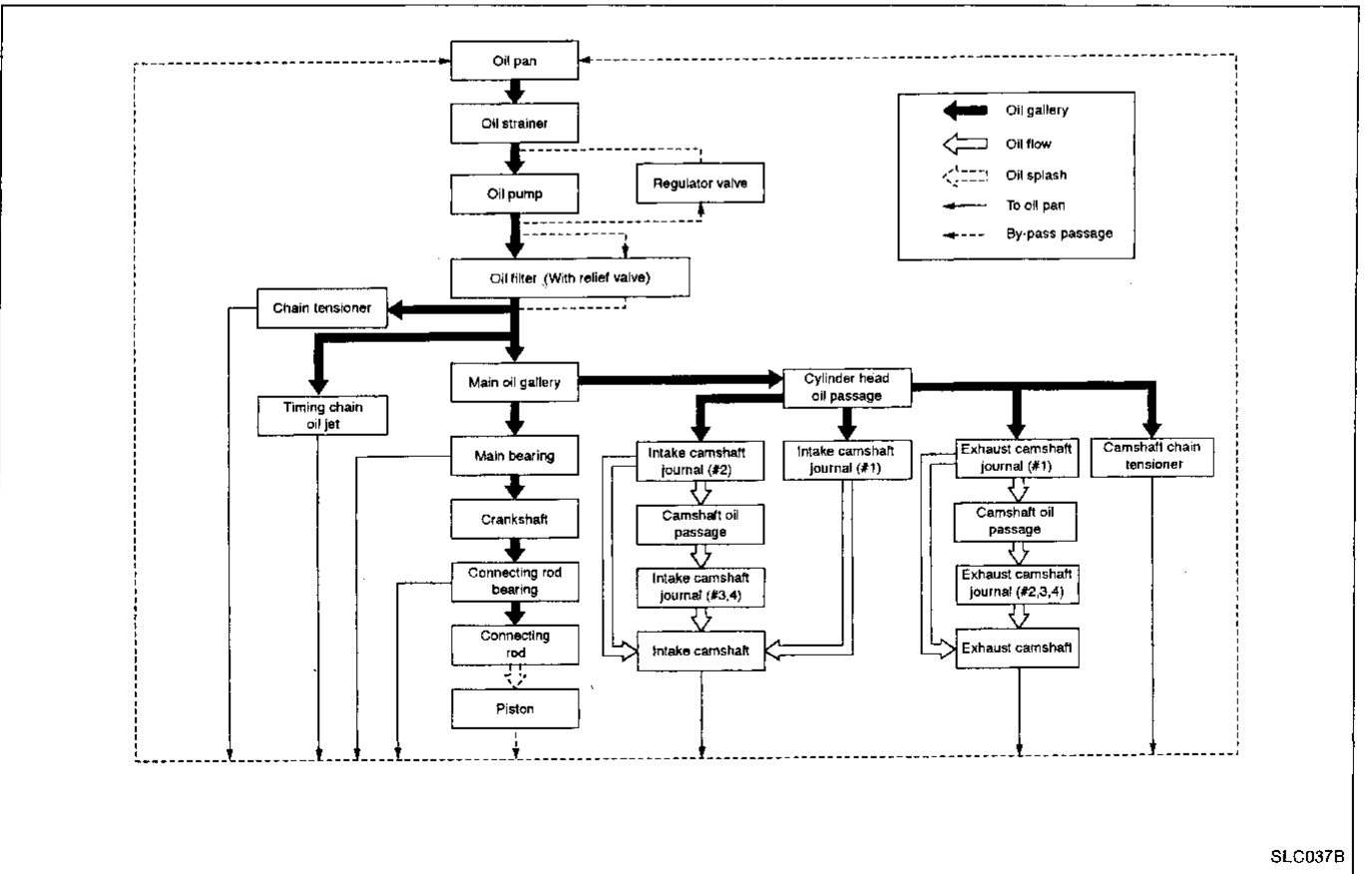
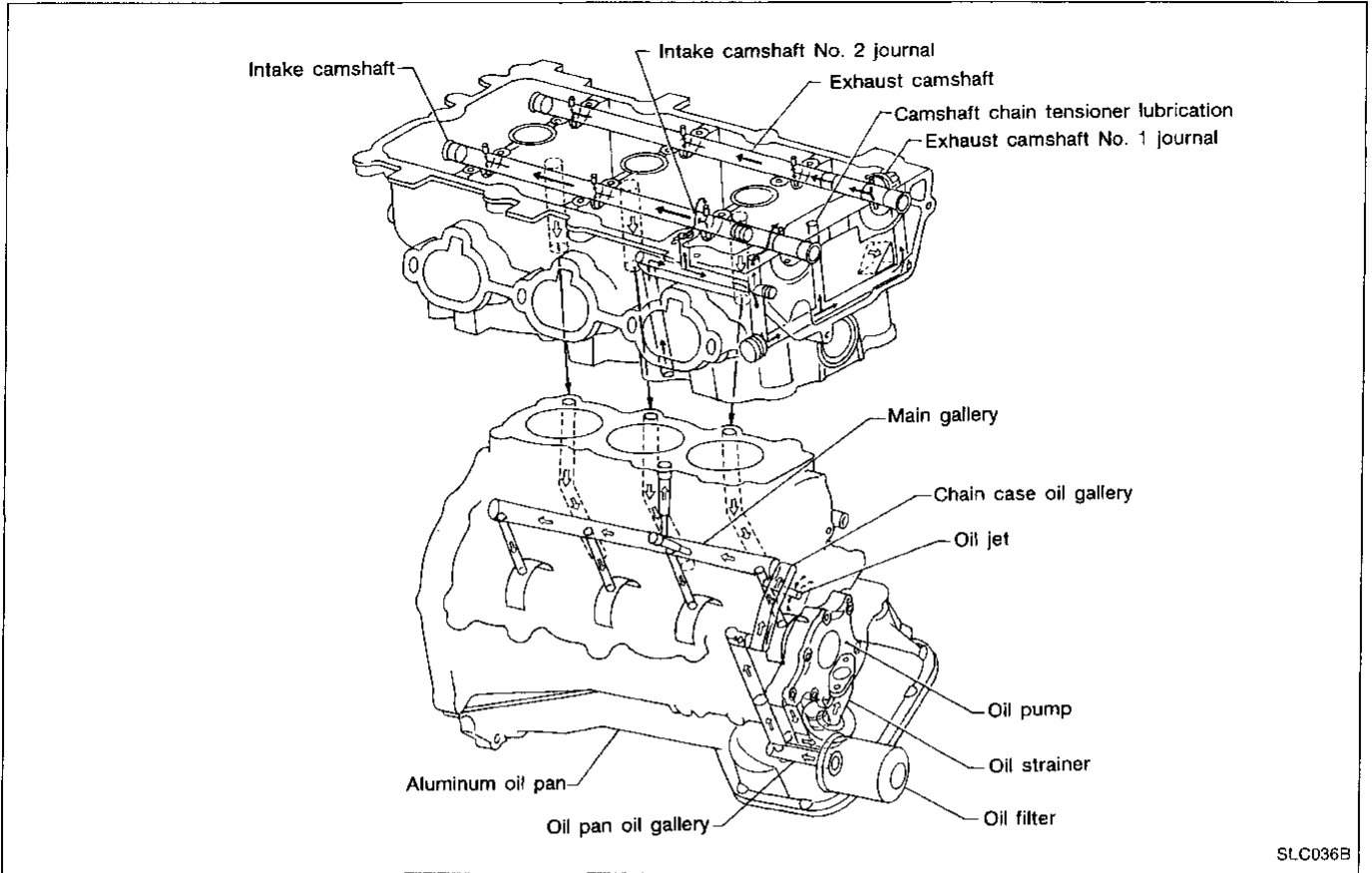
Special Service Tools

The actual shapes of Kent-Moore tools may differ from those of special service tools illustrated here.

Tool number (Kent-Moore No.) Tool name	Description
ST25051001 (J25695-1) Oil pressure gauge	 NT050
ST25052000 (J25695-2) Hose	 NT051 Adapting oil pressure gauge to upper oil pan
WS39930000 (—) Tube pressure	 NT052 Pressing the tube of liquid gasket
EG17650301 (J33984-A) Radiator cap tester adapter	 NT053 Adapting radiator cap tester to radiator filler neck

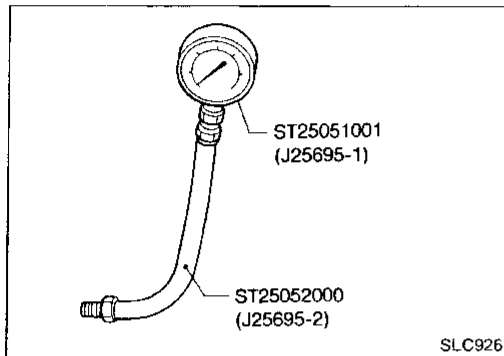
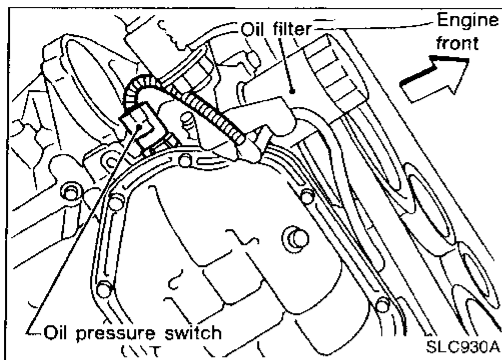
ENGINE LUBRICATION SYSTEM

Lubrication Circuit



GI
MA
EM
LC
EC
FE
CL
MT
AT
FA
RA
BR
ST
RS
BT
HA
EL
IDX

ENGINE LUBRICATION SYSTEM



Oil Pressure Check

WARNING:

- Be careful not to burn yourself, as the engine and oil may be hot.
 - Oil pressure check should be done in "Neutral position" (M/T) or "Parking position" (A/T).
1. Check oil level.
 2. Remove oil pressure switch.
 3. Install pressure gauge.
 4. Start engine and warm it up to normal operating temperature.
 5. Check oil pressure with engine running under no-load.

Engine speed rpm	Approximate discharge pressure kPa (kg/cm ² , psi)
Idle speed	More than 69 (0.70, 10.0)
3,000	435 - 551 (4.44 - 5.62, 63.1 - 79.9)

If difference is extreme, check oil passage and oil pump for oil leaks.

6. Install oil pressure switch with sealant.

Oil Pump

REMOVAL AND INSTALLATION

CAUTION:

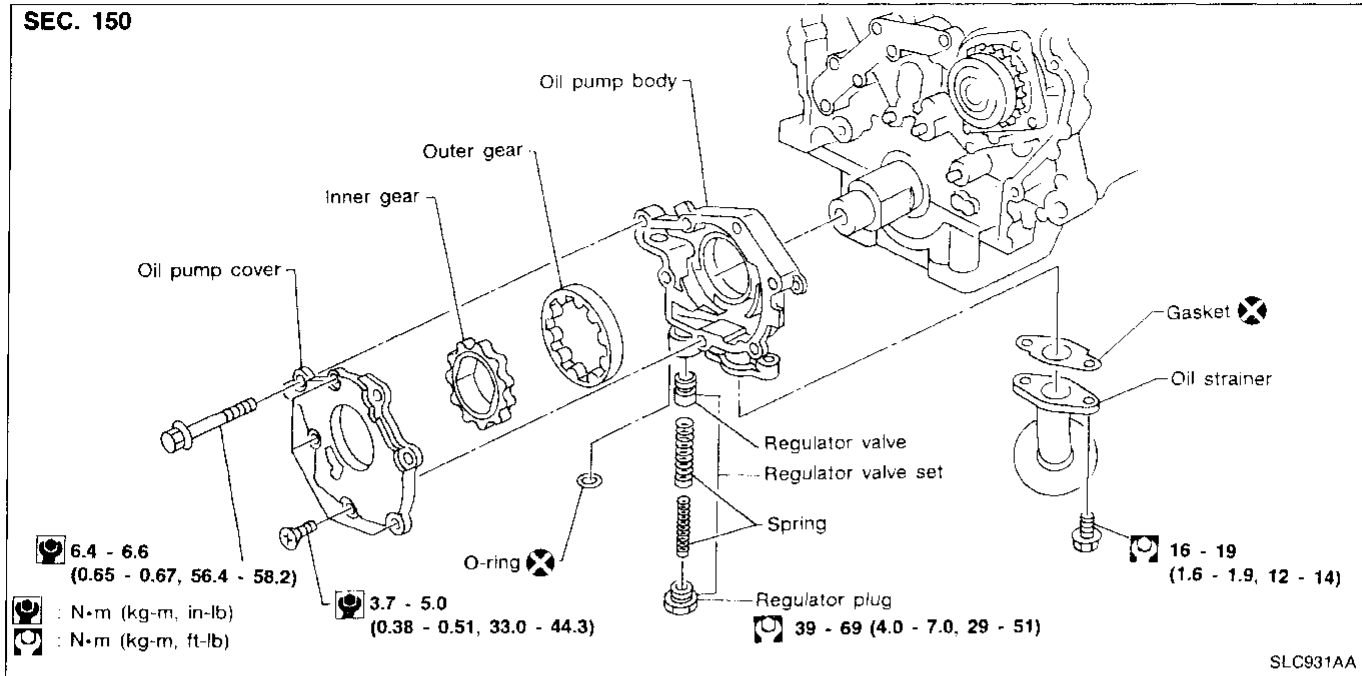
When removing the oil pans, oil pump assembly and timing chain from engine, first remove the camshaft position sensor (PHASE) and the crankshaft position sensor (REF)/(POS) from the assembly.

Be careful not to damage sensor edge.

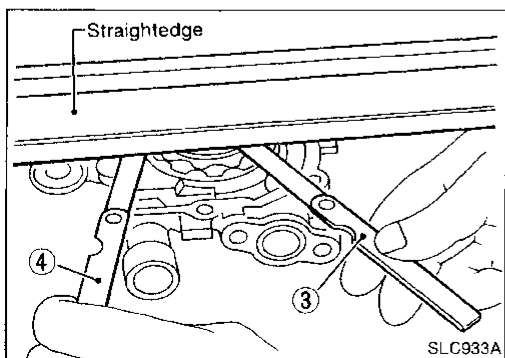
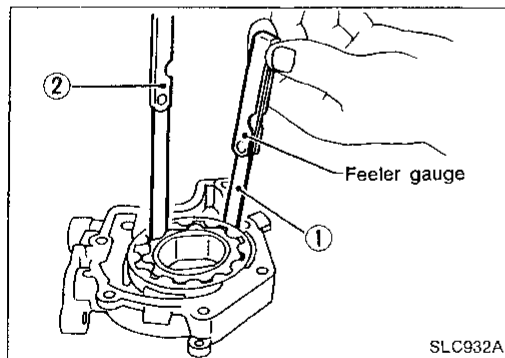
1. Drain engine oil.
2. Remove drive belts.
3. Remove camshaft position sensor (PHASE), and crankshaft position sensor (REF)/(POS).
4. Remove crank pulley.
5. Remove engine lower covers.
6. Remove front exhaust tube and its support.
7. Support engine at right and left side engine slingers with a suitable hoist.
8. Remove engine right side mounting insulator and bracket bolts and nuts.
9. Remove center member assembly.
10. Remove air compressor assembly and bracket.
11. Remove oil pans. (Refer to "Removal" of "OIL PAN" in EM section.)
12. Remove water pump cover.
13. Remove front cover assembly.
14. Remove timing chain. (Refer to "Removal" of "TIMING CHAIN" in EM section.)
15. Remove oil pump assembly.
16. Reinstall any parts removed in reverse order of removal.

ENGINE LUBRICATION SYSTEM

Oil Pump (Cont'd) DISASSEMBLY AND ASSEMBLY



- When installing oil pump, apply engine oil to gears.



OIL PUMP INSPECTION

Using a feeler gauge, straightedge and micrometers, check the following clearances:

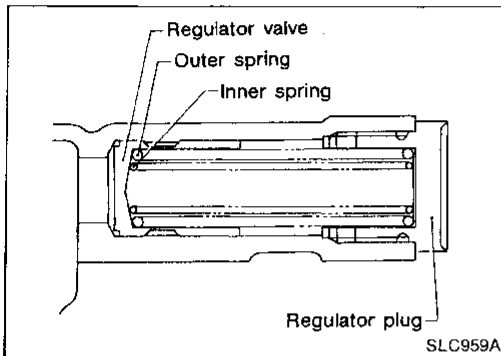
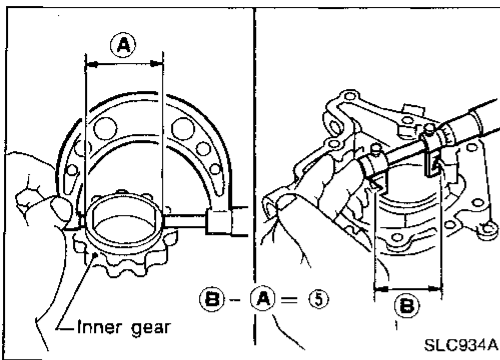
Unit: mm (in)

Body to outer gear clearance ①	0.114 - 0.260 (0.0045 - 0.0102)
Inner gear to outer gear tip clearance ②	Below 0.18 (0.0071)
Body to inner gear clearance ③	0.05 - 0.09 (0.0020 - 0.0035)
Body to outer gear clearance ④	0.030 - 0.190 (0.0012 - 0.0075)
Inner gear to brazed portion of housing clearance ⑤	0.045 - 0.091 (0.0018 - 0.0036)

- If the tip clearance (②) exceeds the limit, replace gear set.
- If body to gear clearances (①, ③, ④, ⑤) exceed the limit, replace oil pump body assembly.

ENGINE LUBRICATION SYSTEM

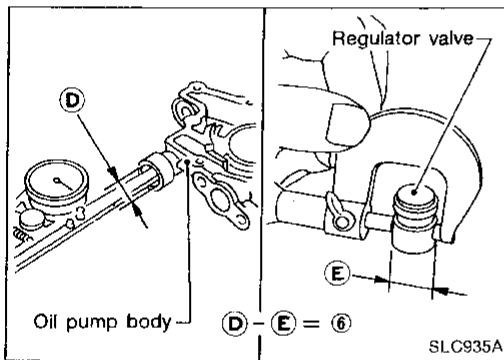
Oil Pump (Cont'd)



REGULATOR VALVE INSPECTION

1. Visually inspect components for wear and damage.
2. Check oil pressure regulator valve sliding surface and valve spring.
3. Coat regulator valve with engine oil. Check that it falls smoothly into the valve hole by its own weight.

If damaged, replace regulator valve set or oil pump body.

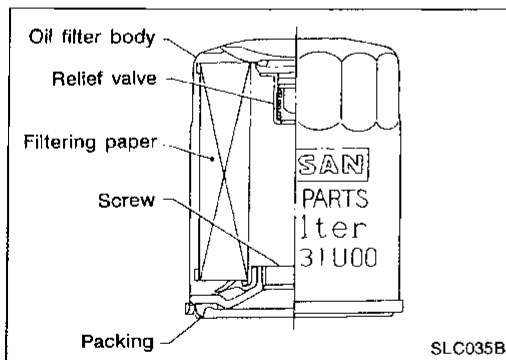


4. Check regulator valve to oil pump body clearance.

Clearance:

⑥ : 0.040 - 0.097 mm (0.0016 - 0.0038 in)

If it exceeds the limit, replace oil pump body.

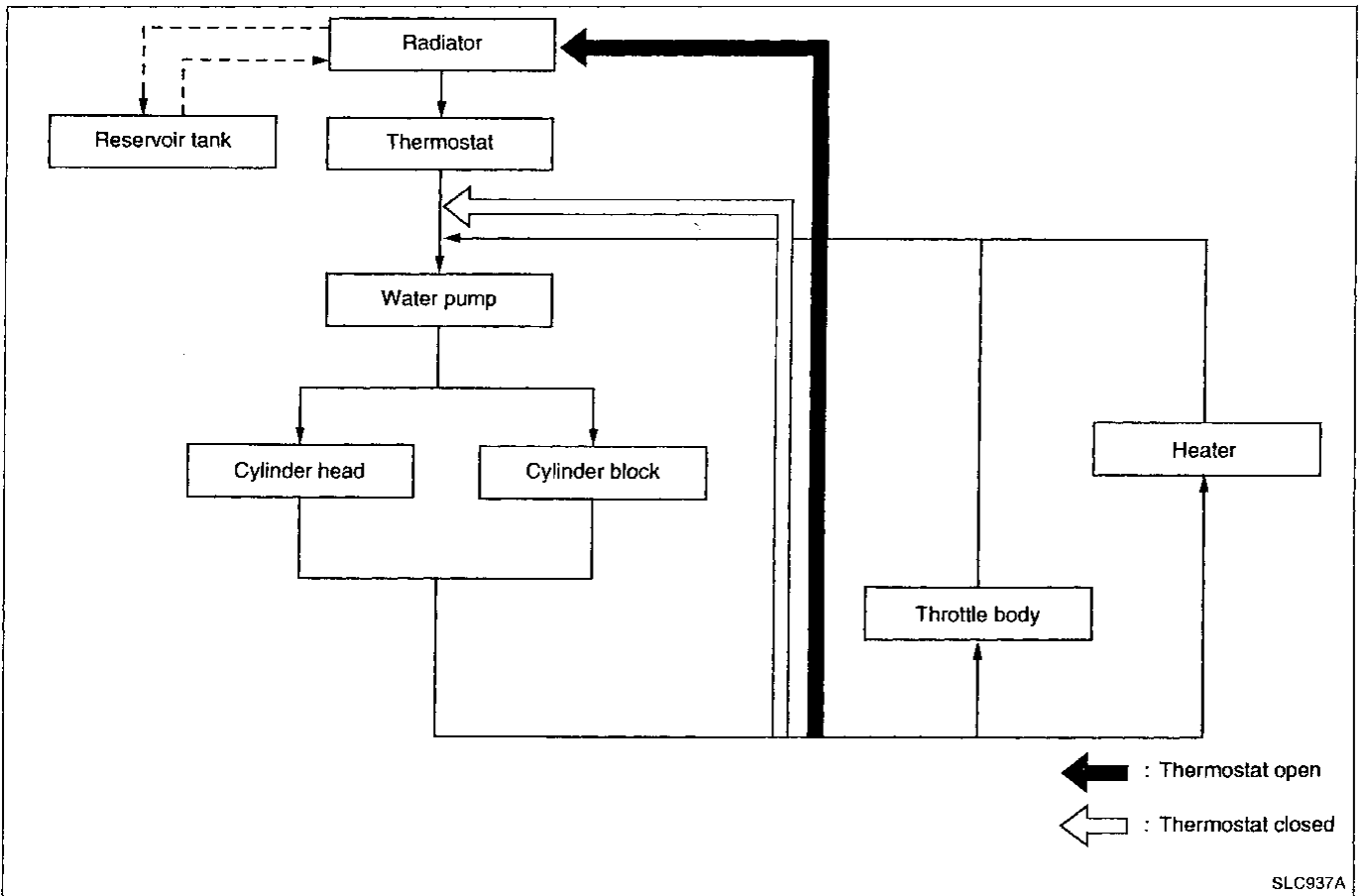
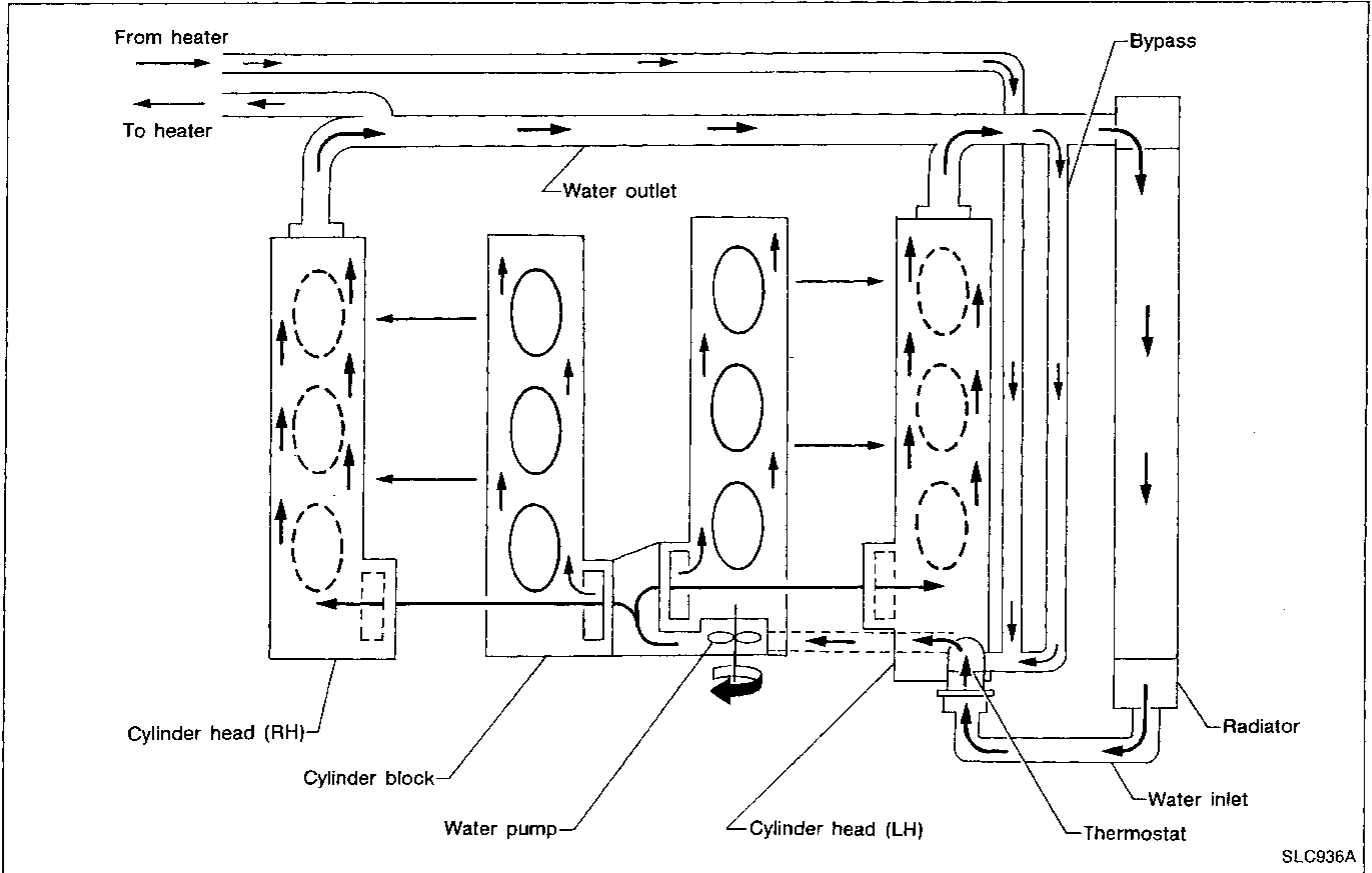


OIL FILTER

The oil filter is a small, full-floating cartridge type and is provided with a relief valve.

ENGINE COOLING SYSTEM

Cooling Circuit



GI
MA
EM
LC
EC
FE
CL
WT
AT
FA
RA
BR
ST
RS
BT
HA
EL
IDX

System Check

WARNING:

Never remove the radiator cap when the engine is hot; serious burns could be caused by high pressure fluid escaping from the radiator.

Wrap a thick cloth around the cap and carefully remove it by turning it a quarter turn to allow built-up pressure to escape and then turn the cap all the way off.

CHECKING COOLING SYSTEM HOSES

Check hoses for improper attachment, leaks, cracks, damage, loose connections, chafing and deterioration.

CHECKING RADIATOR CAP

To check radiator cap, apply pressure to cap with a tester.

Radiator cap relief pressure:

Standard

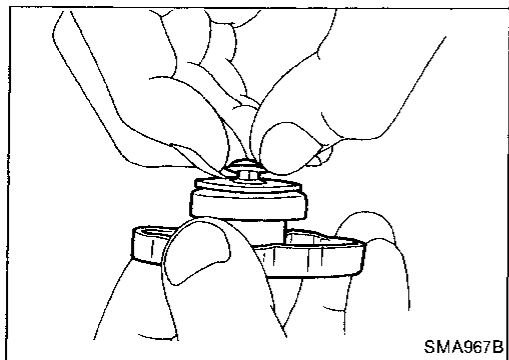
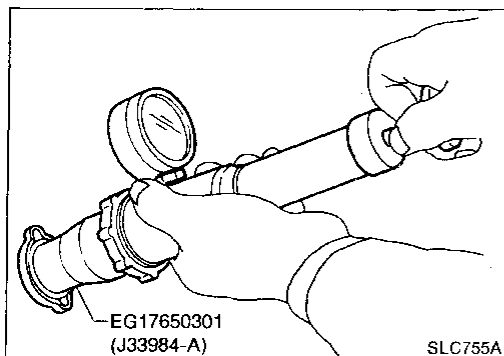
78 - 98 kPa

(0.8 - 1.0 kg/cm², 11 - 14 psi)

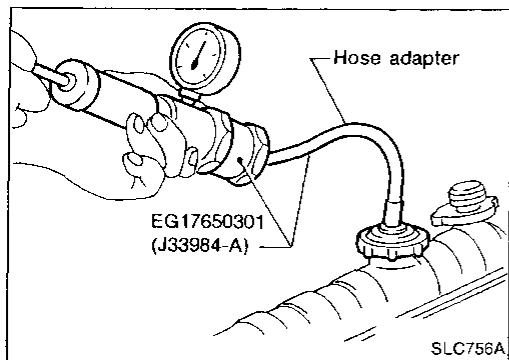
Limit

59 - 98 kPa

(0.6 - 1.0 kg/cm², 9 - 14 psi)



Pull the negative pressure valve to open it. Check that it closes completely when released.



CHECKING COOLING SYSTEM FOR LEAKS

To check for leakage, apply pressure to the cooling system with a tester.

Testing pressure:

157 kPa (1.6 kg/cm², 23 psi)

CAUTION:

Higher than the specified pressure may cause radiator damage.

Water Pump

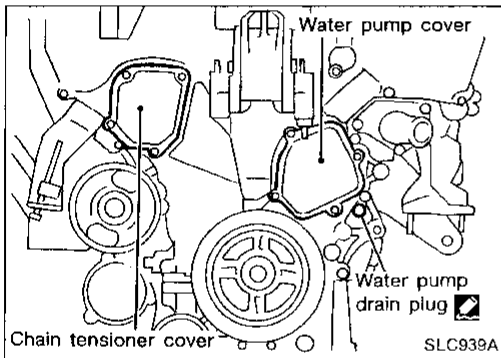
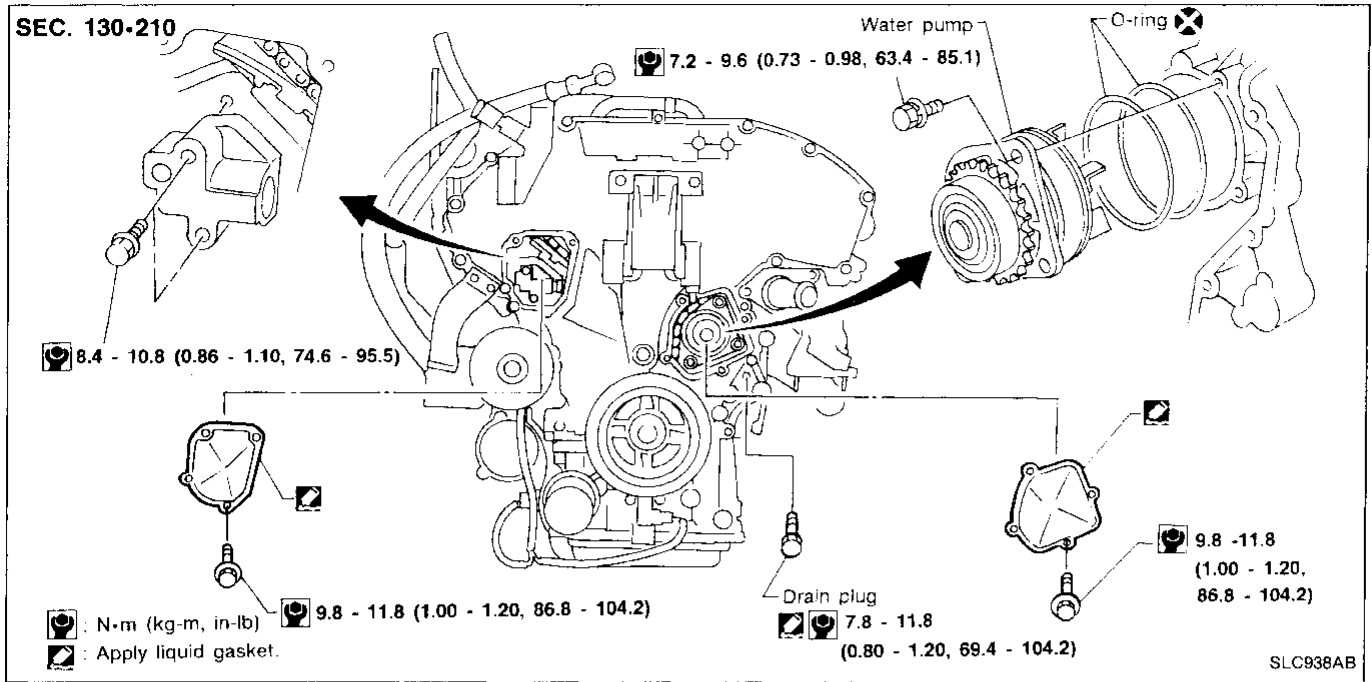
REMOVAL AND INSTALLATION

CAUTION:

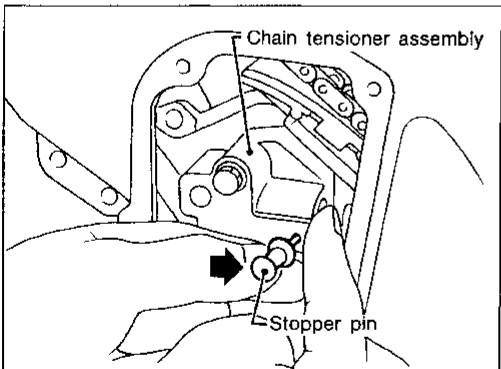
- When removing water pump assembly, be careful not to get coolant on drive belt.
- Water pump cannot be disassembled and should be replaced as a unit.
- After installing water pump, connect hose and clamp securely, then check for leaks using radiator cap tester.

ENGINE COOLING SYSTEM

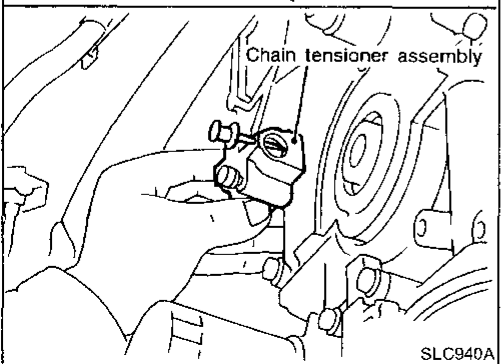
Water Pump (Cont'd)



1. Drain coolant from drain plugs on radiator and both sides of cylinder block.
Refer to "Changing Engine Coolant" in MA section.
2. Remove water pump drain plug.
3. Remove right side engine mounting, mounting bracket and nuts.
4. Remove drive belts and idler pulley bracket.
5. Remove chain tensioner cover and water pump cover.

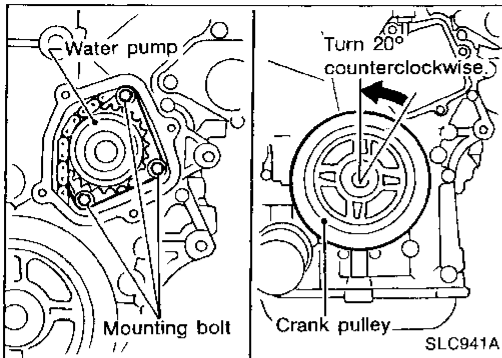


6. Pushing timing chain tensioner sleeve, apply a stopper pin so it does not return. Then remove the chain tensioner assembly.

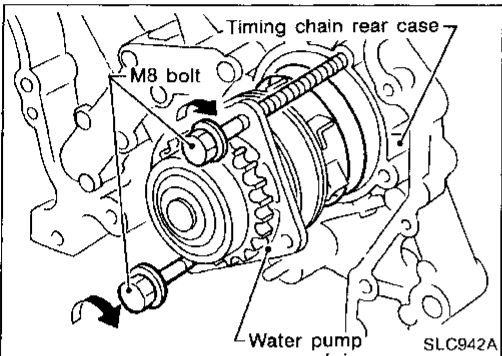


ENGINE COOLING SYSTEM

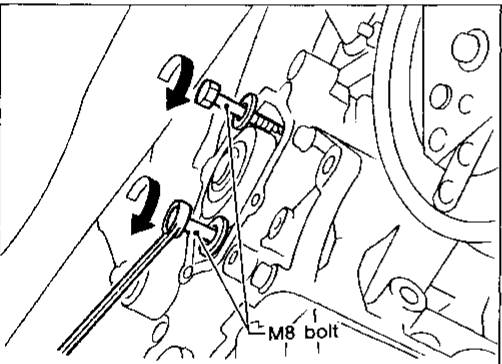
Water Pump (Cont'd)



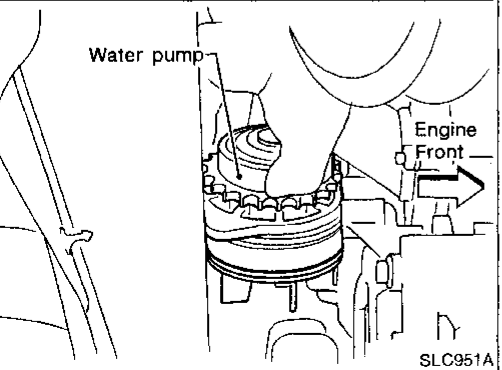
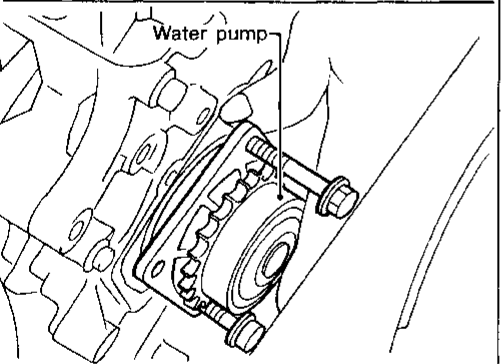
7. Remove the 3 water pump fixing bolts. Secure a gap between water pump gear and timing chain, by turning crankshaft pulley 20° backwards.



8. Put M8 bolts to two M8-threaded holes out of 3 water pump fixing bolt holes.



9. Tighten M8 bolts by turning half turn alternately until they reach timing chain rear case.
 - In order to prevent damages to water pump or timing chain rear case, do not tighten one bolt continuously. Always turn each bolt half turn each time.
10. Lift up water pump and remove it.
 - When lifting up water pump, do not allow water pump gear to hit timing chain.

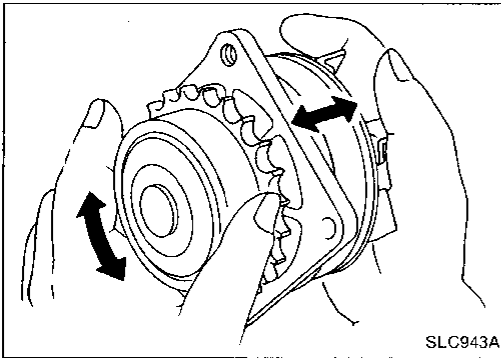


ENGINE COOLING SYSTEM

Water Pump (Cont'd)

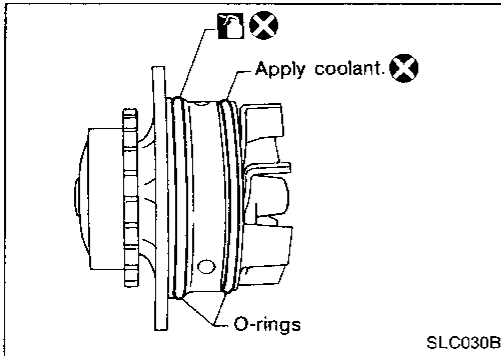
INSPECTION

1. Check for badly rusted or corroded body assembly.
2. Check for rough operation due to excessive end play.

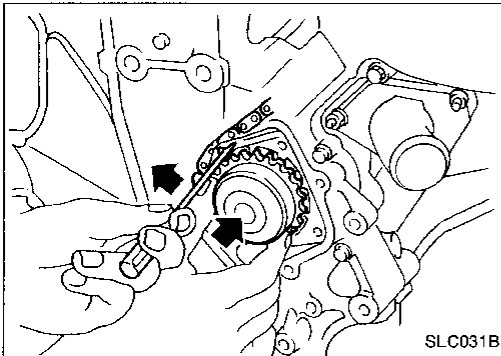


INSTALLATION

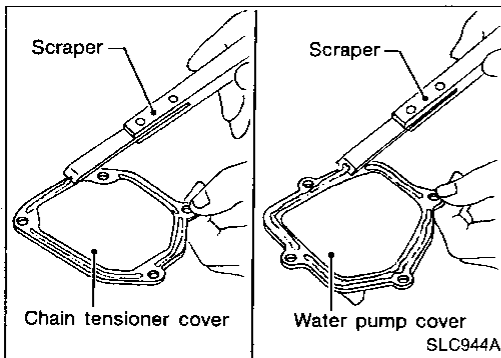
1. Apply engine oil and coolant to O-rings as shown in the figure.



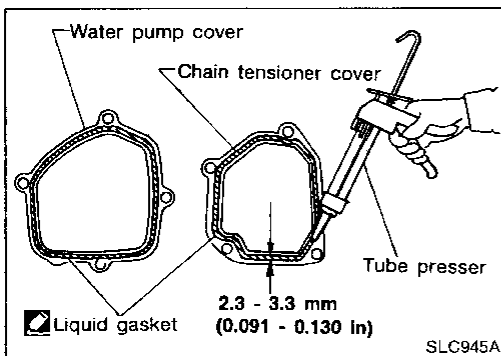
2. Install water pump.
 - Do not allow cylinder block to nip O-rings when installing water pump.



3. Before installing, remove all traces of liquid gasket from mating surface of water pump cover and chain tensioner cover using a scraper. Also remove traces of liquid gasket from mating surface of front cover.



4. Apply a continuous bead of liquid gasket to mating surface of chain tensioner cover and water pump cover.



CI

MA

EM

LC

EC

FE

CL

MT

AT

FA

RA

BR

ST

RS

BT

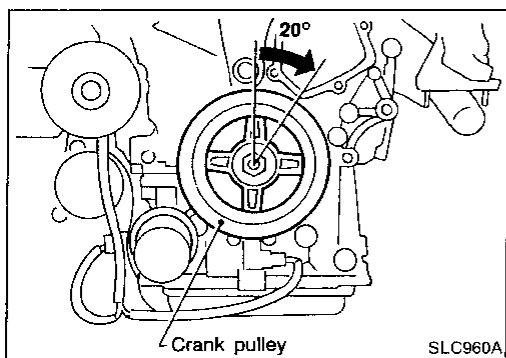
HA

EL

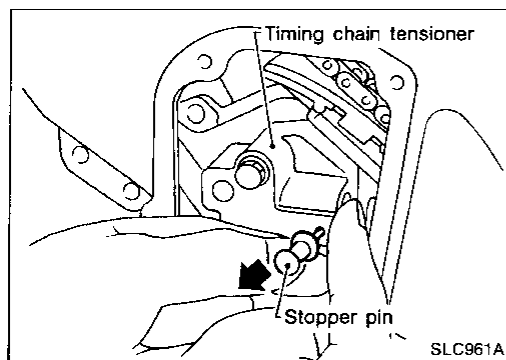
IDX

ENGINE COOLING SYSTEM

Water Pump (Cont'd)



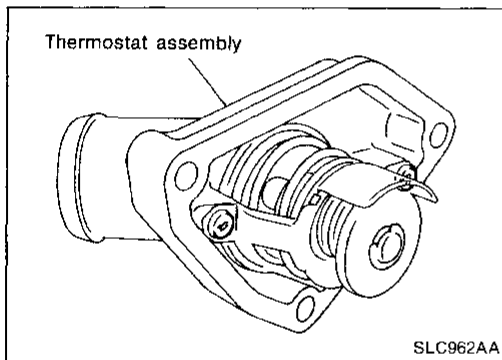
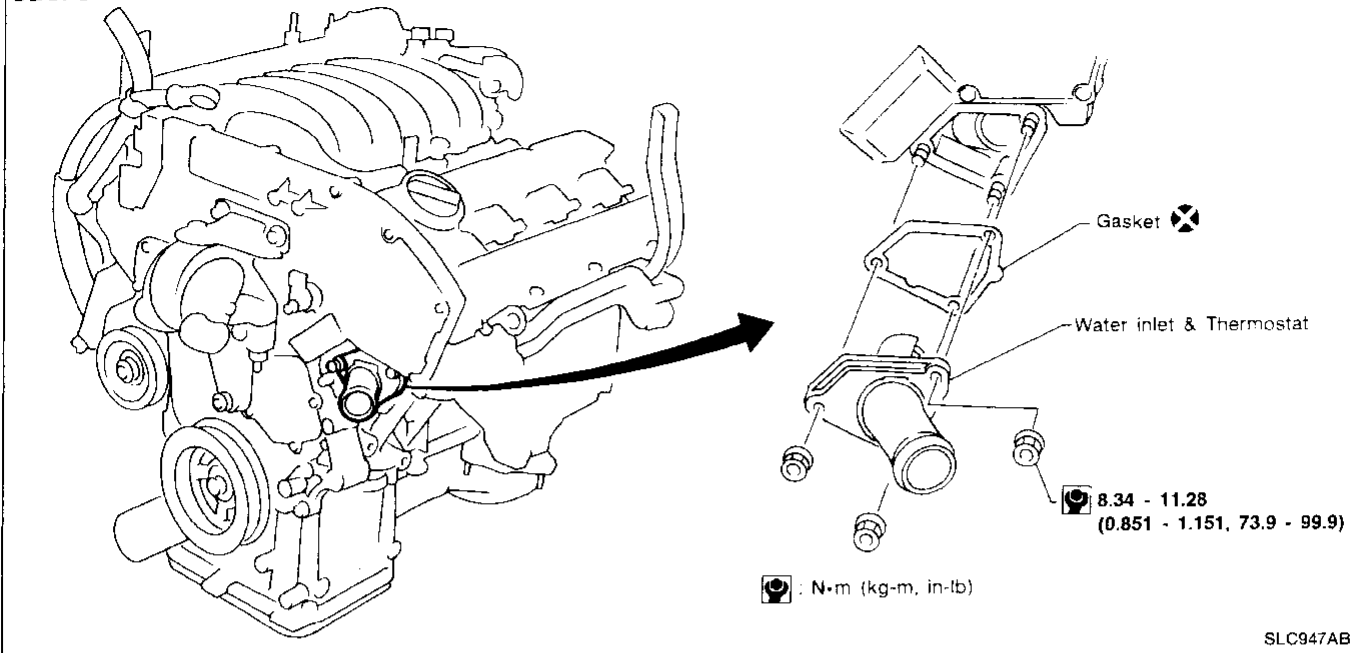
5. Return the crankshaft pulley to its original position by turning it 20° forward.



6. Install timing chain tensioner, then remove the stopper pin.
 - **After installing the tensioner, race the engine at about 3,000 rpm under no load to purge air from the high-pressure chamber. The engine may produce a rattling noise. This indicates that air still remains in the chamber and is not a matter of concern.**
7. Install drain plug on cylinder block.
8. Reinstall any parts removed in reverse order of removal.

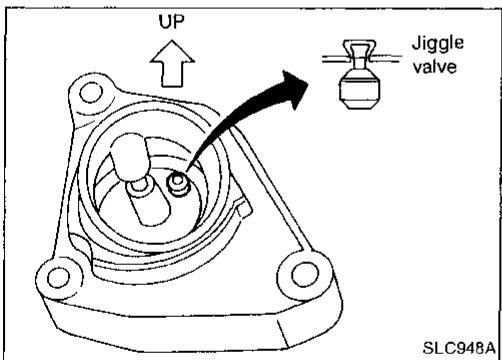
Thermostat

SEC. 210

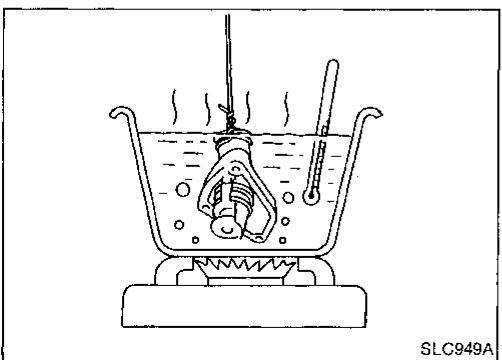


REMOVAL AND INSTALLATION

1. Drain coolant from drain plugs on both sides of cylinder block and radiator.
 2. Remove water pump drain plug on pump side of cylinder block.
 3. Remove lower radiator hose.
 4. Remove water inlet and thermostat assembly.
- Do not disassemble water inlet and thermostat. Replace them as a unit, if necessary.



5. Install thermostat with jiggle valve facing upward.
- After installation, run engine for a few minutes, and check for leaks.
 - Be careful not to spill coolant over engine compartment. Use a rag to absorb coolant.



INSPECTION

1. Check valve seating condition at ordinary room temperatures. It should seat tightly.
2. Check valve opening temperature and maximum valve lift.

		Standard
Valve opening temperature	°C (°F)	82 (180)
Valve lift	mm/°C (in/°F)	More than 8.6/95 (0.339/203)

3. Then check if valve closes at 5°C (9°F) below valve opening temperature.

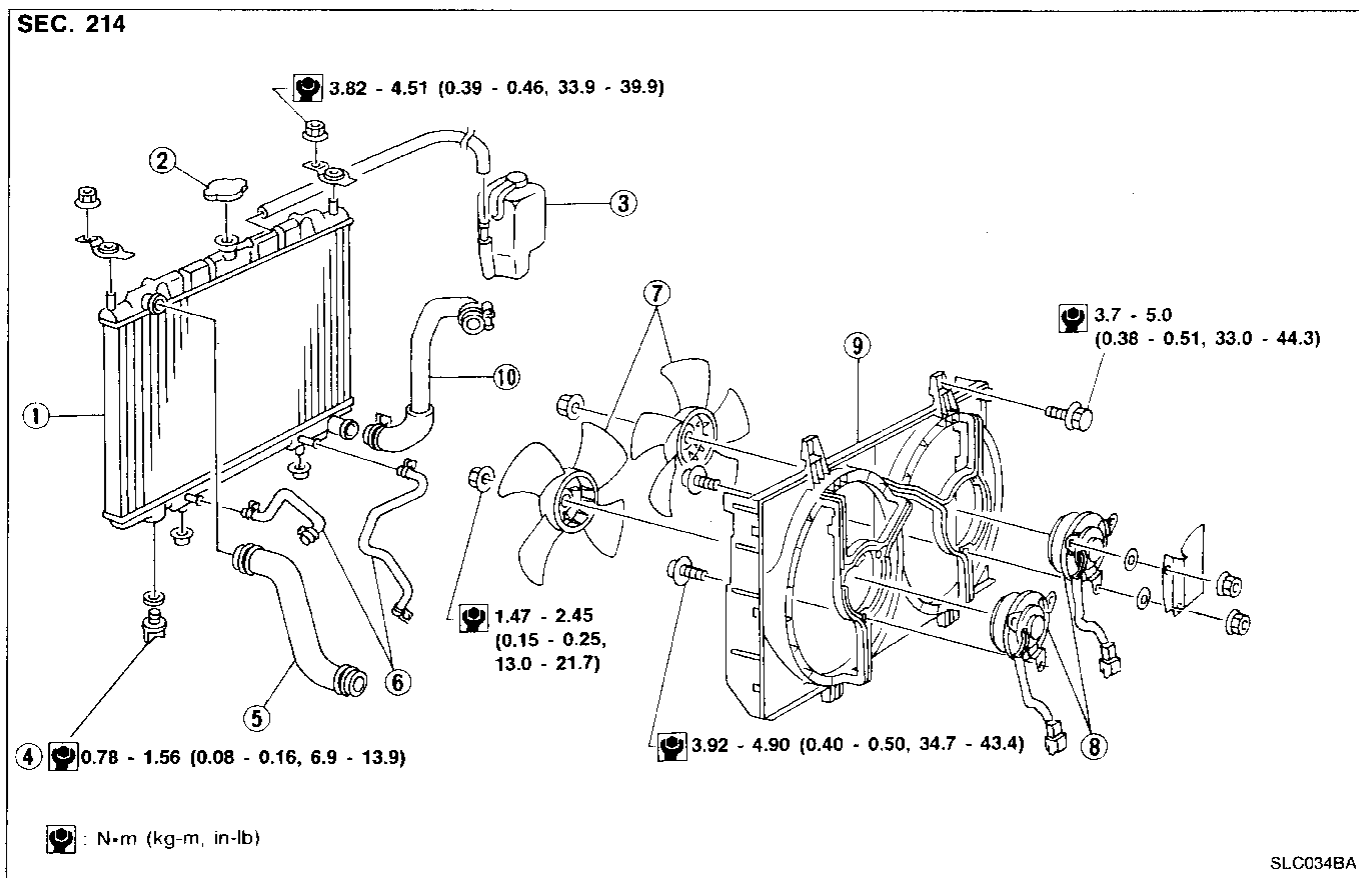
ENGINE COOLING SYSTEM

Radiator

REMOVAL AND INSTALLATION

1. Remove under cover.
2. Drain coolant from radiator.
3. Disconnect radiator upper and lower hoses.
4. Remove radiator shroud.
5. Remove A/T oil cooler hoses. (A/T models only)
6. Disconnect reservoir tank hose.
7. Remove radiator mounting bracket.
8. Remove radiator.
9. After repairing or replacing radiator, install any part removed in reverse order of removal.

When filling radiator with coolant, refer to "Changing Engine Coolant" in MA section.



- | | | |
|-----------------------|---------------------------------|-----------------------|
| ① Radiator | ⑤ Lower radiator hose | ⑧ Cooling fan motors |
| ② Radiator filler cap | ⑥ Oil cooler hoses (A/T models) | ⑨ Radiator shroud |
| ③ Reservoir tank | ⑦ Cooling fans | ⑩ Upper radiator hose |
| ④ Radiator drain cock | | |

Cooling Fan Control System

Cooling fans are controlled by ECM (ECCS control module). For details, refer to "Cooling Fan Control" of "ENGINE AND EMISSION CONTROL SYSTEM DESCRIPTION" in EC section.

ENGINE COOLING SYSTEM

Overheating Cause Analysis

	Symptom	Check items				
Cooling system parts malfunction	Poor heat transfer	Water pump malfunction	—	—	GI	
		Thermostat stuck closed	—		MA	
		Damaged fins	Dust contamination or paper clogging		—	EM
			Mechanical damage		—	LC
	Reduced air flow	Cooling fan does not operate.	—	—	EC	
		High resistance to fan rotation			FE	
		Damaged fan blades			CL	
	Damaged radiator shroud	—	—	—	MT	
	Improper coolant mixture ratio	—	—	—	AT	
	Poor coolant quality	—	—	—	FA	
	Insufficient coolant	Coolant leaks	Cooling hose	Loose clamp	RA	
				Cracked hose	BR	
			Water pump	Poor sealing	ST	
			Radiator cap	Loose	RS	
				Poor sealing	BT	
Radiator			O-ring for damage, deterioration or improper fitting	HA		
		Cracked radiator tank	EL			
	Cracked radiator core	DX				
Reservoir tank	Cracked reservoir tank	—	—	—		
Overflowing reservoir tank	Exhaust gas leaks into cooling system	Cylinder head deterioration	—	—	—	
		Cylinder head gasket deterioration	—	—	—	
		—	—	—	—	
Except cooling system parts malfunction	—	Overload on engine	Abusive driving	High engine rpm under no load	BR	
				Driving in low gear for extended time	ST	
				Driving at extremely high speed	RS	
		Powertrain system malfunction	—	—	—	
		Installed improper size wheels and tires	—	—	—	
	Dragging brakes	—	—	—		
	Improper ignition timing	—	—	—		
	Blocked or restricted air flow	Blocked bumper	—	—	—	—
		Blocked radiator grille	Installed car brassiere	—	—	—
			Mud contamination or paper clogging	—	—	—
Blocked radiator		—	—	—	—	
Blocked condenser		—	—	—	—	
Installed large fog lamp	—	—	—	—		

SERVICE DATA AND SPECIFICATIONS (SDS)

Engine Lubrication System

Oil pressure

Engine speed rpm	Approximate discharge pressure kPa (kg/cm ² , psi)
Idle speed	More than 69 (0.70, 10.0)
3,000	435 - 551 (4.44 - 5.62, 63.1 - 79.9)

Regulator valve

Unit: mm (in)

Regulator valve to oil pump cover clearance	0.040 - 0.097 (0.0016 - 0.0038)
--	---------------------------------

Oil pump

Unit: mm (in)

Body to outer gear clearance	0.114 - 0.260 (0.0045 - 0.0102)
Inner gear to outer gear tip clearance	Below 0.18 (0.0071)
Body to inner gear clearance	0.05 - 0.09 (0.0020 - 0.0035)
Body to outer gear clearance	0.030 - 0.190 (0.0012 - 0.0075)
Inner gear to brazed portion of housing clearance	0.045 - 0.091 (0.0018 - 0.0036)

Engine Cooling System

Thermostat

Valve opening temperature	°C (°F)	82 (180)
Valve lift	mm/°C (in/°F)	More than 8.6/95 (0.339/203)

Radiator

Unit: kPa (kg/cm², psi)

Cap relief pressure	Standard	78 - 98 (0.8 - 1.0, 11 - 14)
	Limit	59 - 98 (0.6 - 1.0, 9 - 14)
Leakage test pressure		157 (1.6, 23)