

SECTION BT

GI
 MA
 EM
 LC
 EC
 FE
 AT
 PD
 FA
 RA
 BR
 ST
 RS
BT
 HA
 EL
 IDX

CONTENTS

<p>PRECAUTIONS2</p> <p> Service Notice.....2</p> <p> Supplemental Restraint System (SRS) "AIR BAG" and "SEAT BELT PRE-TENSIONER".....2</p> <p>GENERAL SERVICING.....3</p> <p> Clip and Fastener.....3</p> <p>BODY END5</p> <p> Body Front End.....5</p> <p> Body Rear End and Opener.....7</p> <p>DOOR.....9</p> <p> Front Door.....9</p> <p> Rear Door.....10</p> <p>INSTRUMENT PANEL.....11</p> <p>INTERIOR TRIM13</p> <p> Side and Floor Trim.....13</p> <p> Door Trim.....15</p>	<p> Roof Trim16</p> <p> Trunk Room Trim.....18</p> <p>EXTERIOR.....19</p> <p>SEAT24</p> <p> Front Seat.....24</p> <p> Rear Seat.....27</p> <p>SUNROOF.....28</p> <p>WINDSHIELD AND WINDOWS29</p> <p> Windshield and Rear Window29</p> <p>MIRROR.....30</p> <p> Door Mirror.....30</p> <p>REAR AIR SPOILER31</p> <p>BODY ALIGNMENT.....32</p> <p> Engine Compartment.....32</p> <p> Underbody34</p>
---	---

- ★ For seat belt, refer to MA and RS section.
- ★ For wiring diagrams of body electrical systems, refer to EL section.

PRECAUTIONS

Service Notice

- When removing or installing various parts, place a cloth or padding onto the vehicle body to prevent scratches.
- Handle trim, molding, instruments, grille, etc. carefully during removing or installation. Be careful not to soil or damage them.
- Apply sealing compound where necessary when installing parts.
- When applying sealing compound, be careful that the sealing compound does not protrude from parts.
- When replacing any metal parts (for example body outer panel, members, etc.), be sure to take rust prevention measures.

Supplemental Restraint System (SRS) “AIR BAG” and “SEAT BELT PRE-TENSIONER”

The Supplemental Restraint System “Air Bag” and “Seat Belt Pre-tensioner”, used along with a seat belt, help to reduce the risk or severity of injury to the driver and front passenger in a frontal collision. The Supplemental Restraint System consists of air bag modules (located in the center of the steering wheel and on the instrument panel on the passenger side), seat belt pre-tensioners, a diagnosis sensor unit, warning lamp, wiring harness and spiral cable. Information necessary to service the system safely is included in the **RS section** of this Service Manual.




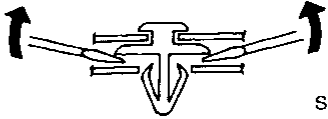


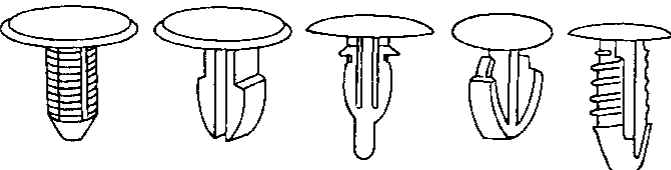
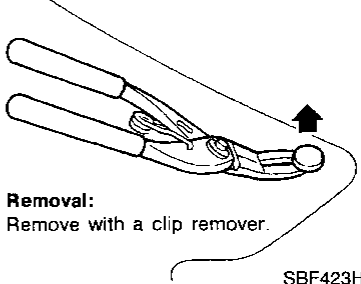


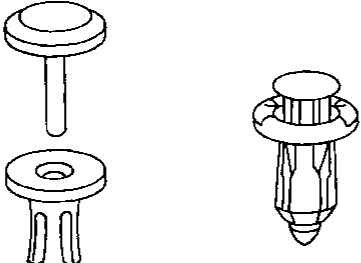
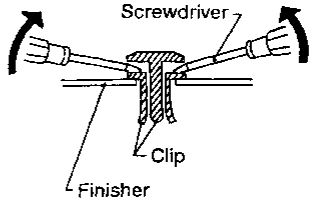


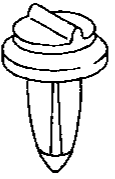
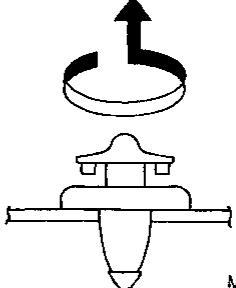


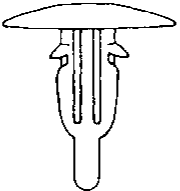
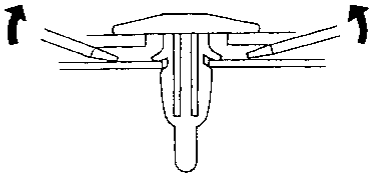
WARNING:

- **To avoid rendering the SRS inoperative, which could increase the risk of personal injury or death in the event of a collision which would result in air bag inflation, all maintenance must be performed by an authorized INFINITI dealer.**
- **Improper maintenance, including incorrect removal and installation of the SRS, can lead to personal injury caused by unintentional activation of the system.**
- **Do not use electrical test equipment on any circuit related to the SRS unless instructed to in this Service Manual. SRS wiring harnesses are covered with yellow insulation either just before the harness connectors or for the complete harness, for easy identification.**

GENERAL SERVICING

Clip and Fastener


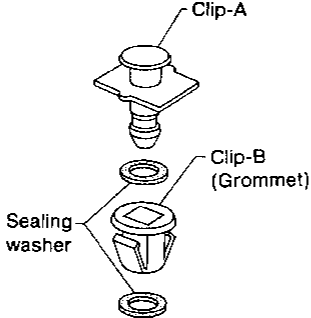
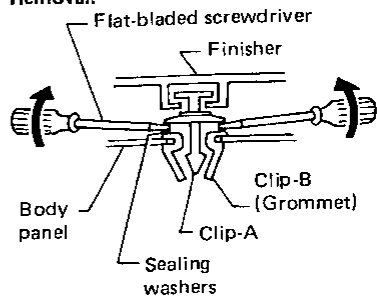

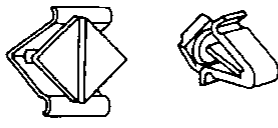

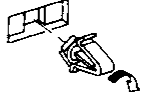

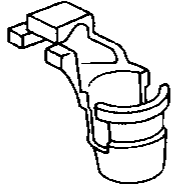
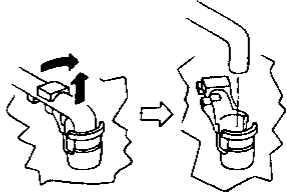

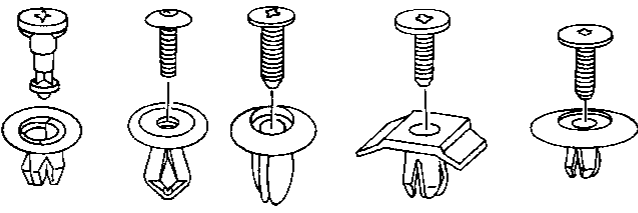
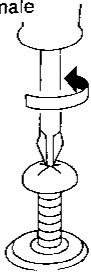
- Clips and fasteners in BT section correspond to the following numbers and symbols.
- Replace any clips and/or fasteners which are damaged during removal or installation.

Symbol No.	Shapes	Removal & Installation
 		<p>Removal: Remove by bending up with flat-bladed screwdrivers.</p>  <p>SBF256G SBF367</p>
 		<p>Removal: Remove with a clip remover.</p>  <p>SBF303H SBF423H</p>
 		<p>Removal:</p>  <p>Screwdriver Clip Finisher</p> <p>MBF518B SBF638C</p>
 		 <p>MBF519B MBF520B</p>
 		<p>Removal: Remove with a flat-bladed screwdriver or pliers.</p>  <p>SBF174D SBF175D</p>

GI
MA
EM
LC
EC
FE
AT
PD
FA
RA
BR
ST
RS
BT
HA
EL
IDX

GENERAL SERVICING

Clip and Fastener (Cont'd)

Symbol No.	Shapes	Removal & Installation
	 <p>Clip-A Clip-B (Grommet) Sealing washer</p>	<p>Removal: Flat-bladed screwdriver Finisher</p>  <p>Body panel Clip-B (Grommet) Clip-A Sealing washers</p> <p style="text-align: right;">SBF151D SBF259G</p>
		<p>Removal:</p>  <p>Rotate 45° to remove.</p> <hr/> <p>Installation:</p>  <p style="text-align: right;">SBF145B SBF085B</p>
		<p>Removal: Holder portion of clip must be spread out to remove rod.</p>  <p style="text-align: right;">SBF768B SBF770B</p>
		<p>Removal:</p> <ol style="list-style-type: none"> Screw out with a Phillips screwdriver. Remove female portion with flat-bladed screwdriver.  <p style="text-align: right;">SBF078B SBF992G</p>

Body Front End

- When removing or installing hood, place a cloth or other padding on the front fender panels and cowl top. This prevents vehicle body from being scratched.
- Hood adjustment: Adjust at hinge portion.
- Hood lock adjustment: After adjusting, check hood lock control operation. Apply a coat of grease to hood locks engaging mechanism.
- Hood opener: Do not attempt to bend cable forcibly. Doing so increases effort required to unlock hood.

WARNING:

- **Be careful not to scratch hood stay when installing hood. A scratched stay may cause gas leakage.**
- **The contents of the hood stay are under pressure. Do not take apart, puncture, apply heat or allow fire near it.**

CAUTION:

Do not touch reinforcement with bare hands. Wear leather working gloves, since reinforcement surface is covered with fiberglass.

REMOVAL — Front bumper assembly

- ① Remove bolts securing bumper fascia to engine undercover.
- ② Remove clips (CS101) securing bumper fascia to bumper reinforcement.
- ③ Remove clips (CS101) securing air guide to radiator grille.
Turn clips (CG101) using a standard screwdriver from the front of radiator grille, then remove radiator grille.
- ④ Remove screws and clips (CS101), then remove radiator core support seal rubber and air guide.
- ⑤ Remove bolt, screws and clips (C205) securing left and right sides of front fender protector.
- ⑥ Remove the screws and bolts securing each side of front bumper.
- ⑦ Remove the screws securing each side of front combination lamp assembly, then remove the assembly.
- ⑧ Remove bolts securing each side of front fender bracket.
- ⑨ Remove bolts securing each side of front bumper center bracket.
- ⑩ Remove front bumper assembly.
- ⑪ Remove bumper stay retainer from stay bolt.
- ⑫ Remove bumper stay bolts (one on each side).
- ⑬ Remove energy absorber.
- ⑭ Remove bumper reinforcement assembly.

GI

MA

EM

LC

EC

FE

AT

PD

FA

RA

BR

ST

RS

BT

HA

EL

IDX

BODY END

Body Front End (Cont'd)

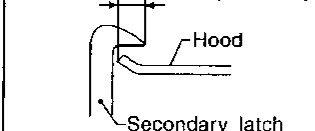
SEC. 262•623•625•650•747

Hood lock adjustment

- Adjust hood so that hood primary lock meshes at a position 1 to 1.5 mm (0.039 to 0.059 in) lower than fender.
- After hood lock adjustment, adjust bumper rubber.
- When securing hood lock, ensure it does not tilt. Striker must be positioned at the center of hood primary lock.
- After adjustment, ensure that hood primary and secondary lock operate properly.

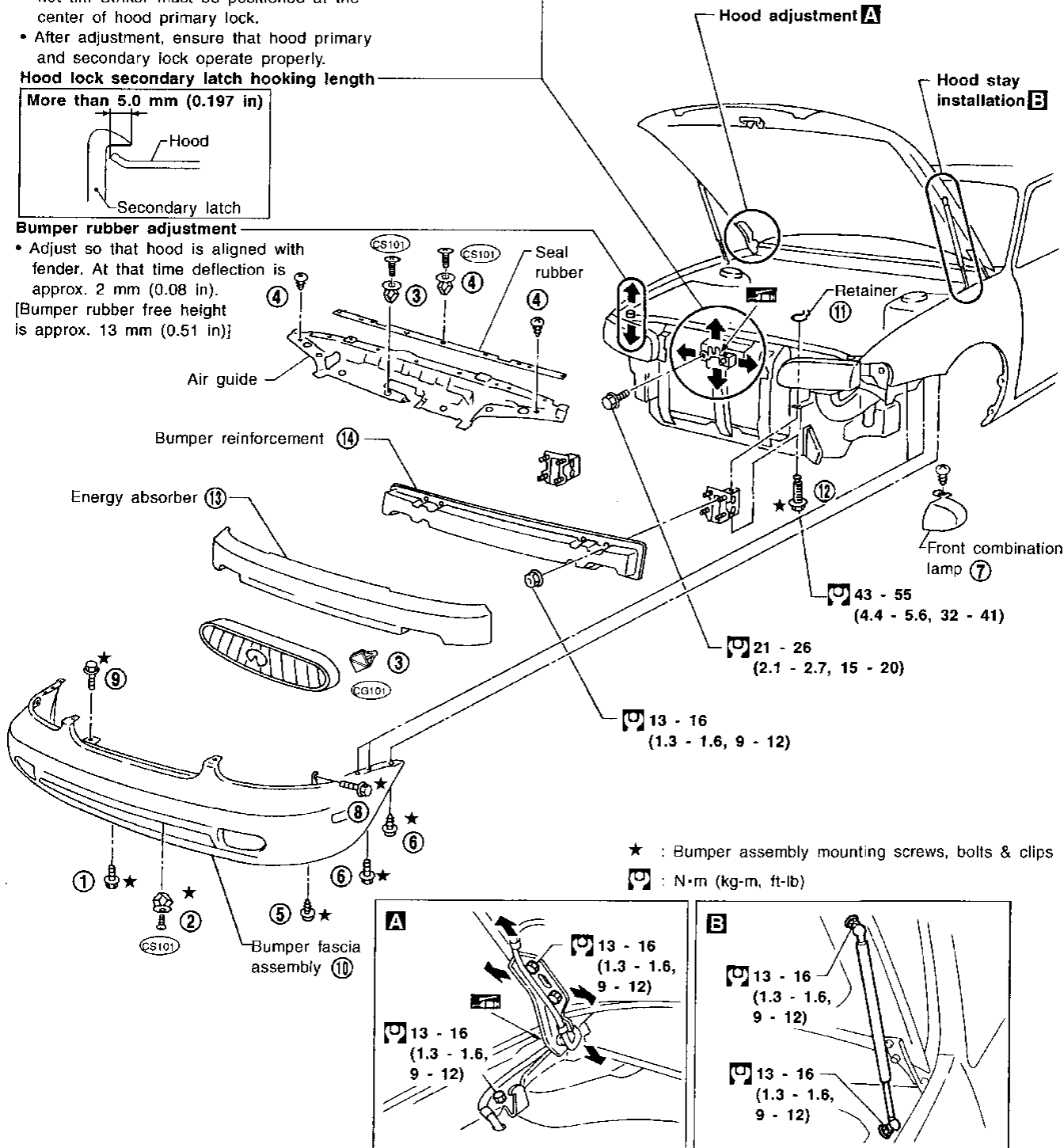
Hood lock secondary latch hooking length

More than 5.0 mm (0.197 in)

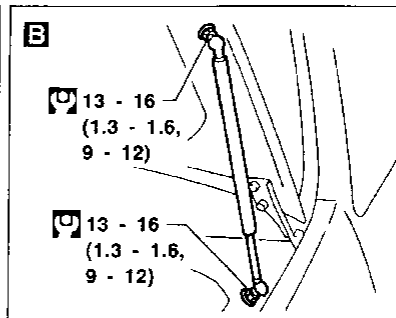
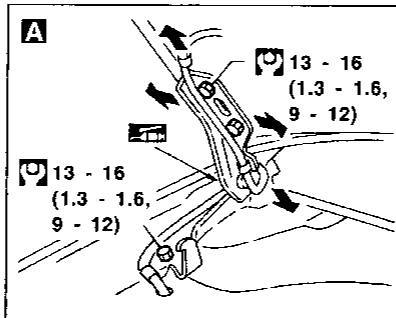


Bumper rubber adjustment

- Adjust so that hood is aligned with fender. At that time deflection is approx. 2 mm (0.08 in).
- [Bumper rubber free height is approx. 13 mm (0.51 in)]



★ : Bumper assembly mounting screws, bolts & clips
 □ : N·m (kg·m, ft·lb)




Body Rear End and Opener

- When removing or installing trunk lid, place a cloth or other padding on the rear fender panels. This prevents vehicle body from being scratched.
- Trunk lid adjustment: Adjust at hinge-trunk lid portion for proper trunk lid fit.
- Trunk lid lock system adjustment: Adjust striker so that it is in the center of the lock. After adjustment, check trunk lid lock operation. GI
- Opener cable: Do not attempt to bend cable using excessive force.
- After installation, make sure that trunk lid and fuel filler lid open smoothly. MA
- ★ For Wiring Diagram, refer to "TRUNK LID AND FUEL FILLER LID OPENER" in EL section.

CAUTION:

Do not touch reinforcement with bare hands. Wear leather working gloves, since reinforcement surface is covered with fiberglass. EM

REMOVAL — Rear bumper assembly LC

- ① Remove license plate.
- ② Remove bolts from lower side of rear bumper. EC
- ③ Remove clips  securing rear fender protectors.
- ④ Remove bolts from lower side of each side bumper.
- ⑤ Remove screws securing wheelarch to each bumper side. FE
- ⑥ Remove trunk trim. Refer to "Trunk Room Trim" in "INTERIOR TRIM" for details, BT-18.
- ⑦ Working inside trunk, remove power antenna motor.
- ⑧ Working inside trunk, remove bolts securing each bumper side to fender. AT
- ⑨ Also remove nuts from center of trunk compartment.
- ⑩ Pull bumper fascia out. Disconnect rear side marker lamps and back-up lamp harness connectors. PD
- ⑪ Remove bumper stays. Working inside trunk, remove left and right plugs from floor, then remove bolts. FA

FA

RA

BR

ST

RS

BT

HA

EL

IDX

BODY END

Body Rear End and Opener (Cont'd)

SEC. 843•844•850

Trunk lid torsion bar removal & installation E

WARNING:
When removing and installing torsion bar, be careful as it is under tension.

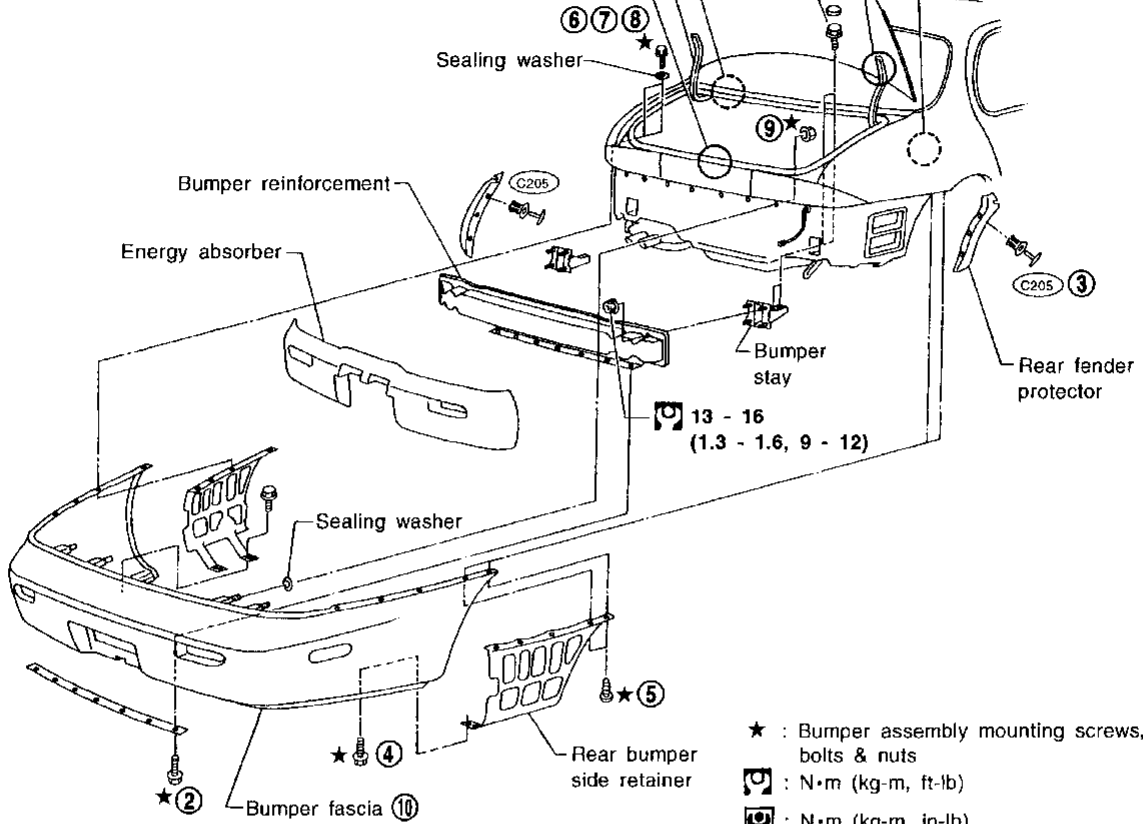
Trunk lid lock and opener adjustment D

Trunk lid striker adjustment A

77 - 98 (7.9 - 10.0, 57 - 72)

Trunk lid adjustment B

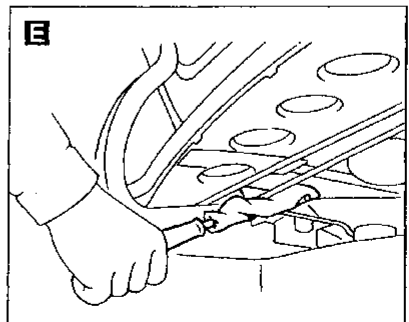
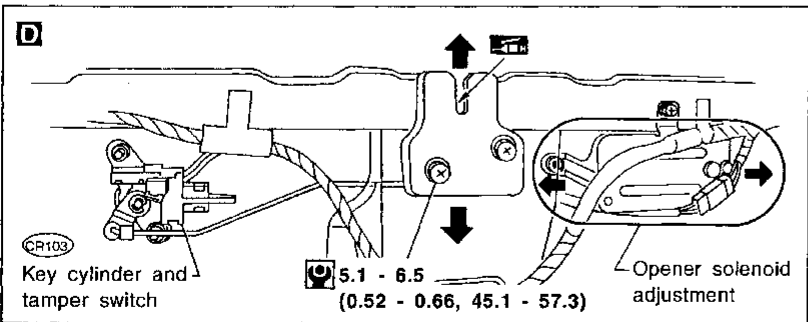
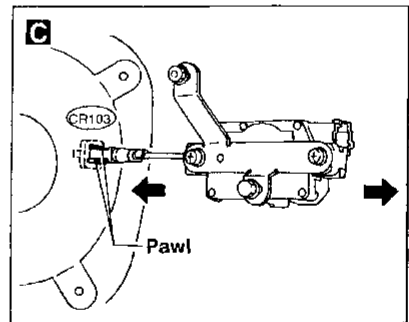
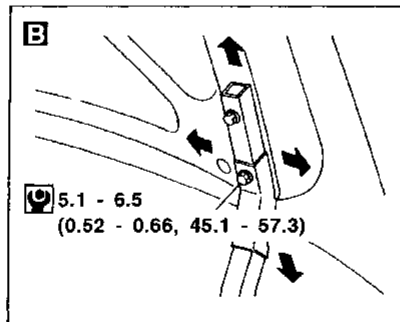
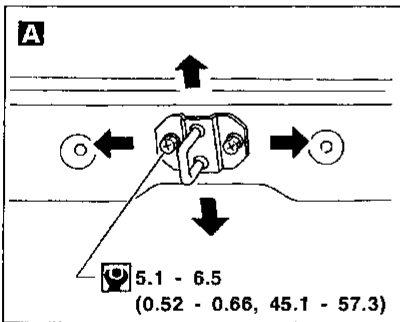
Fuel filler lid control adjustment C



★ : Bumper assembly mounting screws, bolts & nuts

Ⓜ : N•m (kg-m, ft-lb)

Ⓜ : N•m (kg-m, in-lb)

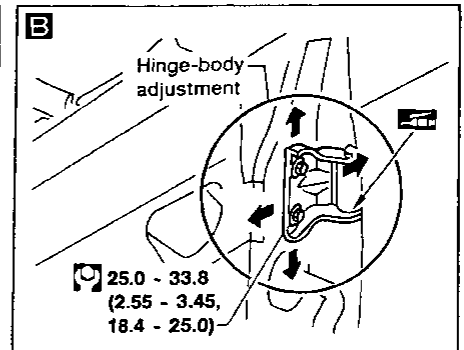
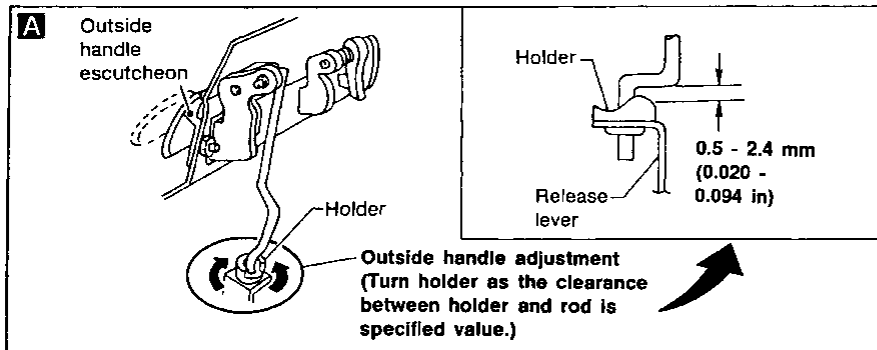
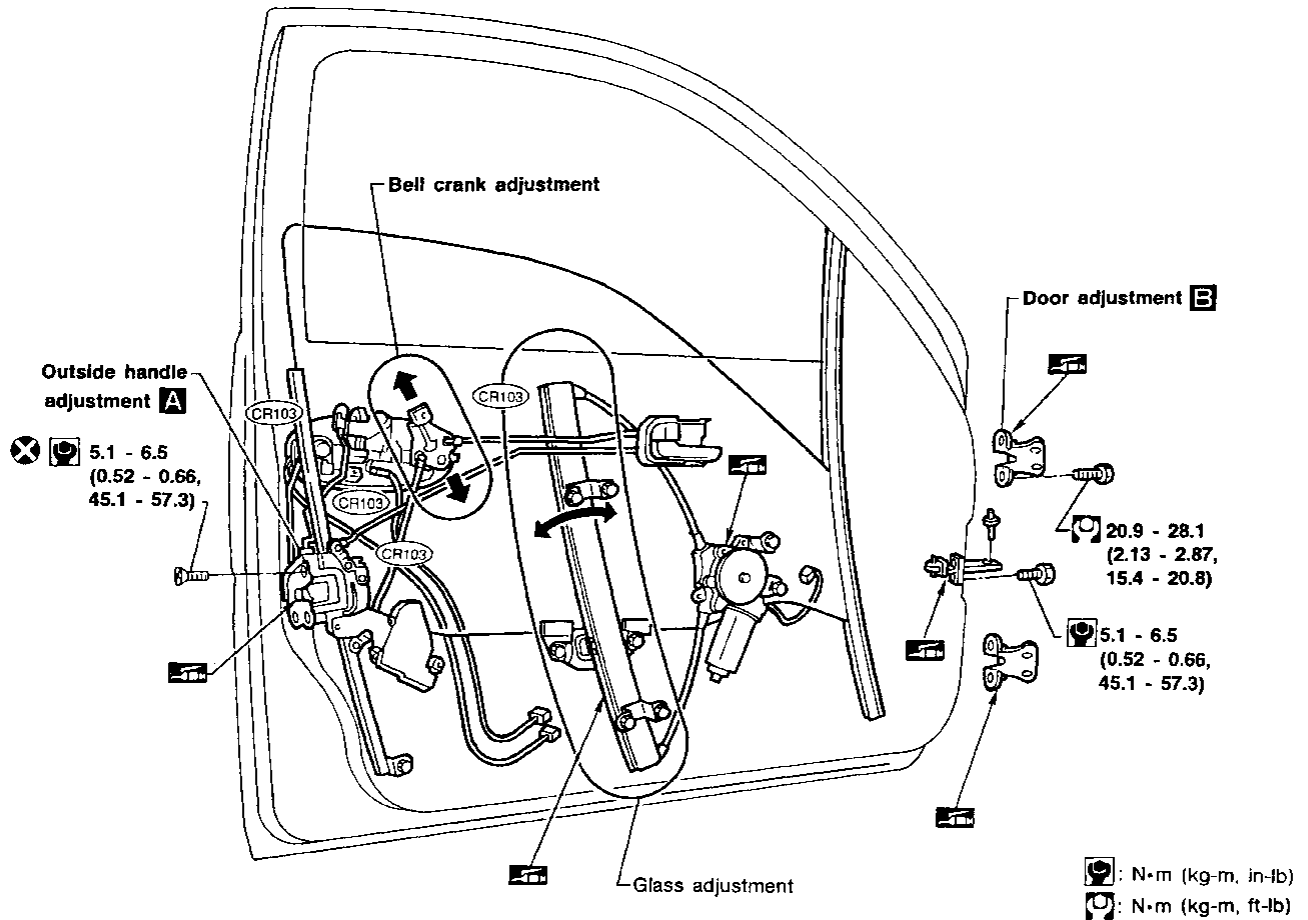


SBT030

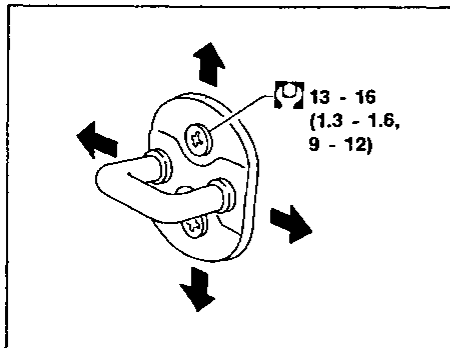
DOOR

Front Door

- For removal of door trim, refer to "Door Trim" in "INTERIOR TRIM", BT-15.
- After adjusting door or door lock, check door lock operation.



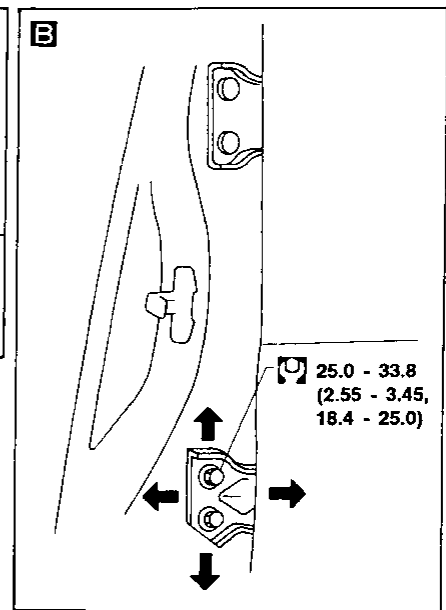
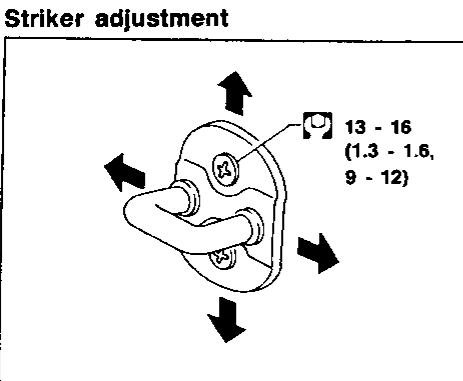
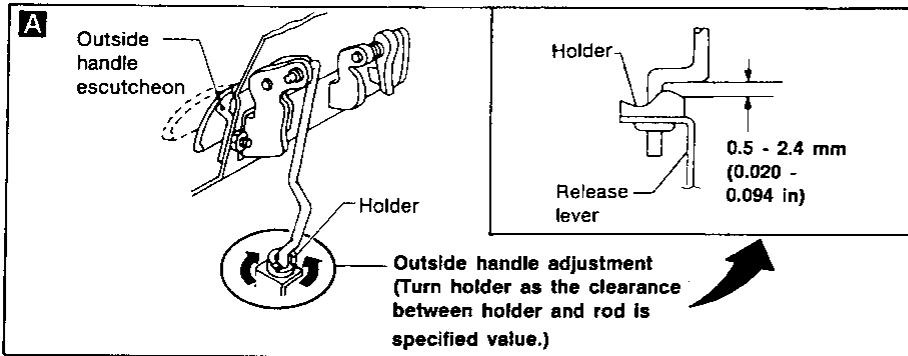
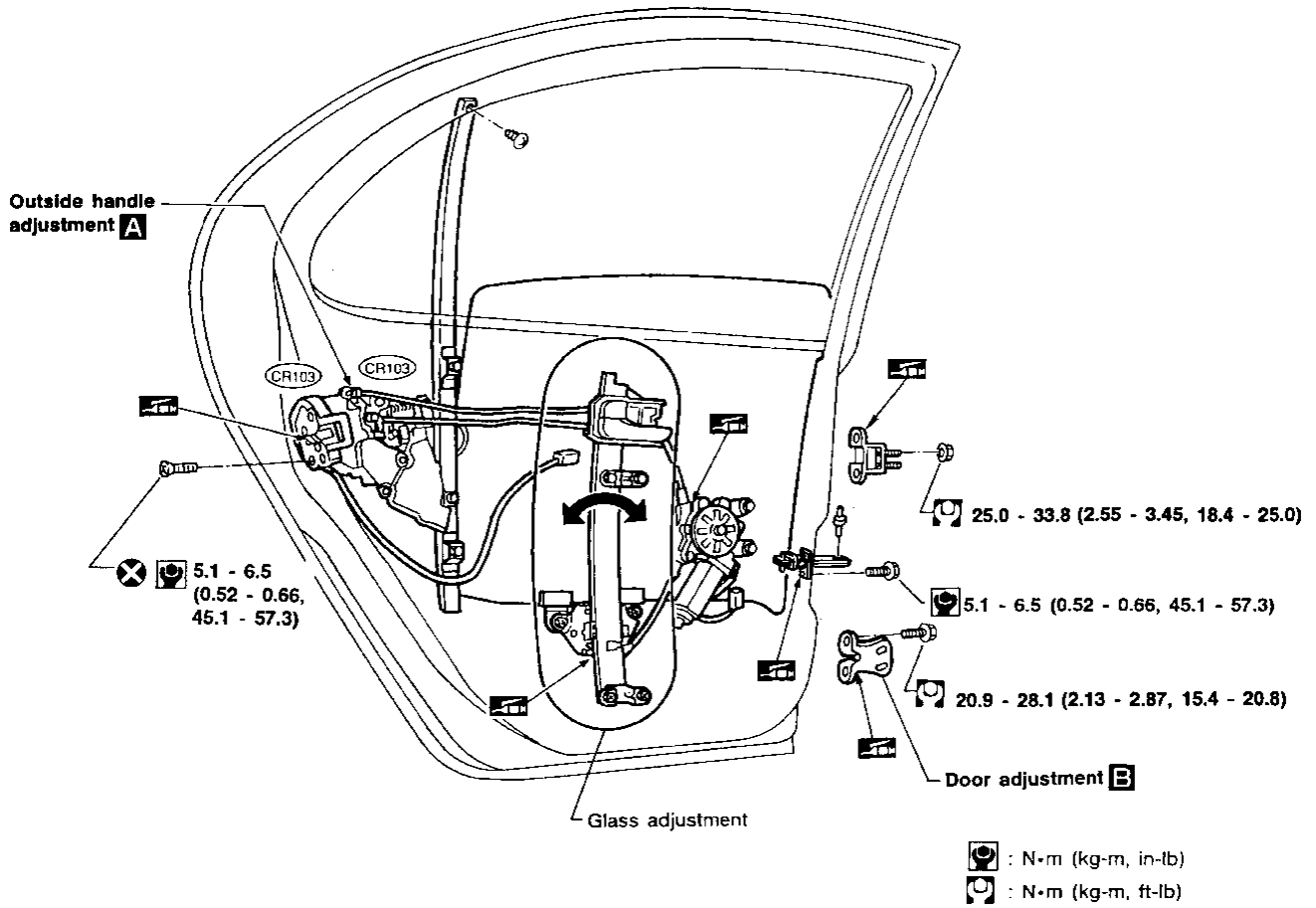
Striker adjustment



GI
 MA
 EM
 LC
 EC
 FE
 AT
 PD
 FA
 RA
 BR
 ST
 RS
BT
 HA
 EL
 IDX

DOOR

Rear Door



INSTRUMENT PANEL

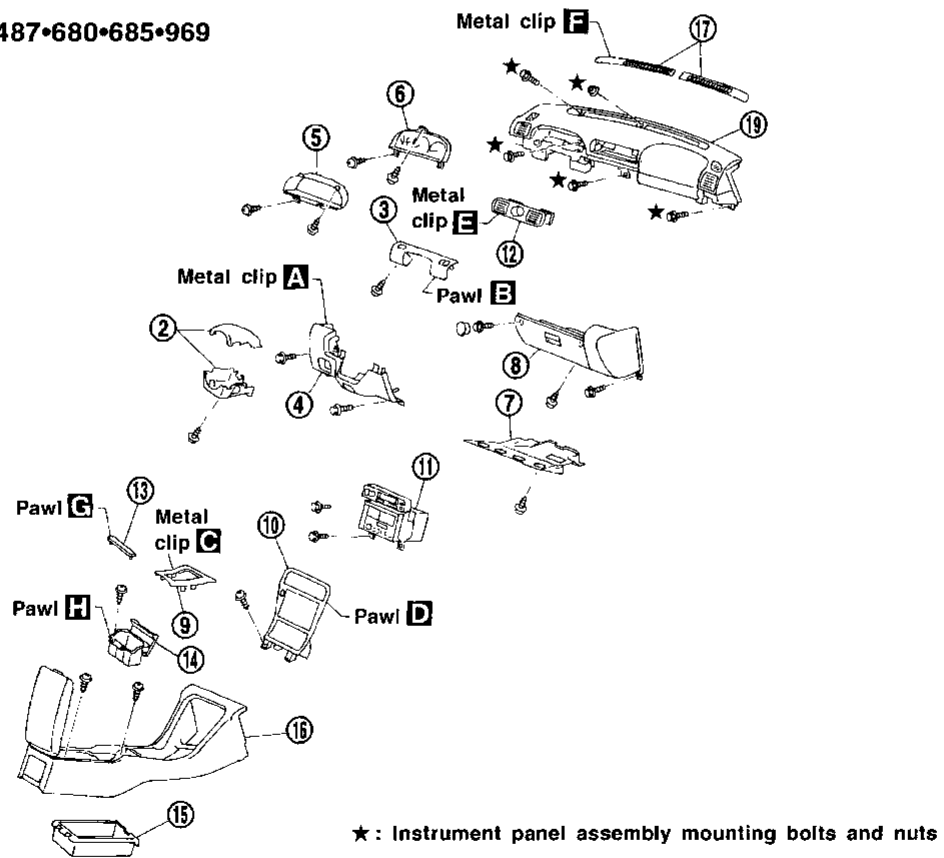
CAUTION:

- Disconnect both battery cables in advance.
- Disconnect air bag system line in advance.
- Never force the air bag lid open or tamper with it as this may adversely affect air bag performance.
- Be careful not to scratch pad and other parts.

REMOVAL — Instrument panel assembly

- ① Remove steering wheel. Disengage air bag system in advance. Refer to RS section.
- ② Remove steering column cover.
- ③ Remove cluster lid D.
- ④ Remove lower instrument panel on driver's side.
- ⑤ Remove cluster lid A.
- ⑥ Remove combination meter.
- ⑦ Remove lower instrument cover on passenger side.
- ⑧ Remove glove box assembly.
- ⑨ Remove A/T finisher.
- ⑩ Remove cluster lid C.
- ⑪ Remove A/C control and radio.
- ⑫ Remove center ventilator.
- ⑬ Remove console mask.
- ⑭ Remove cup holder.
- ⑮ Remove console pocket.
- ⑯ Remove lower instrument center panel.
- ⑰ Remove defroster grille.
- ⑱ Remove front pillar garnish. Refer to "Side and Floor Trim" in "INTERIOR TRIM" for details, BT-13.
- ⑲ Remove instrument panel and pads.

SEC. 248•272•280•487•680•685•969



GI

MA

EM

LC

EC

FE

AT

PD

FA

RA

BR

ST

RS

BT

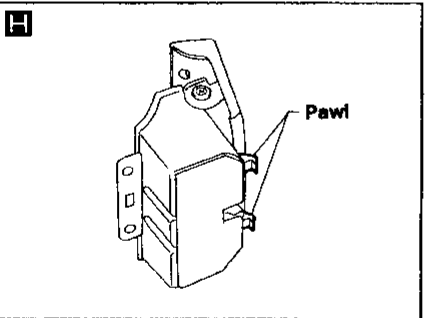
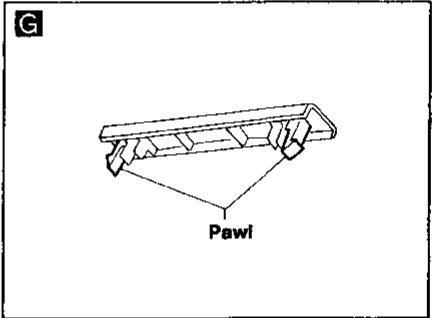
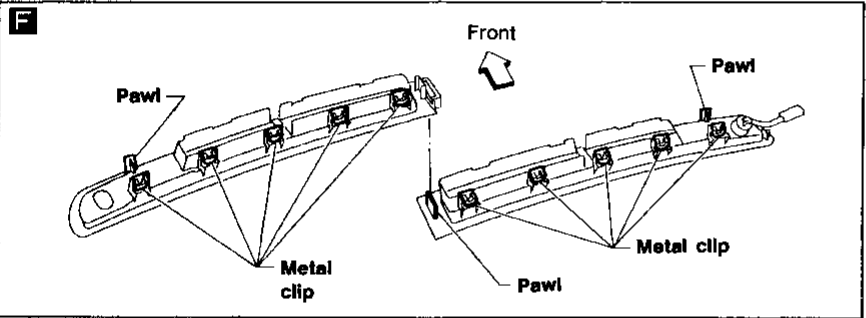
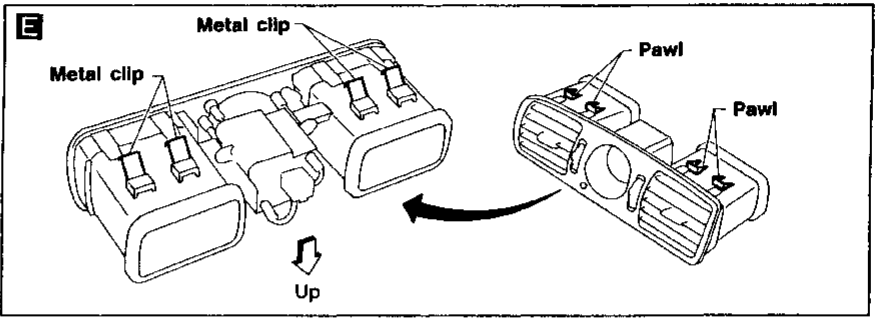
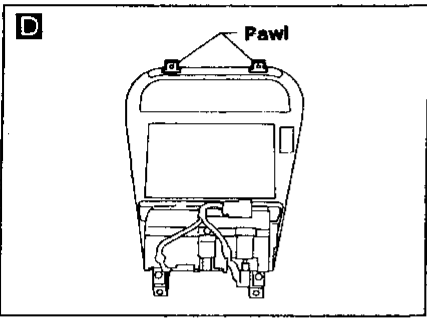
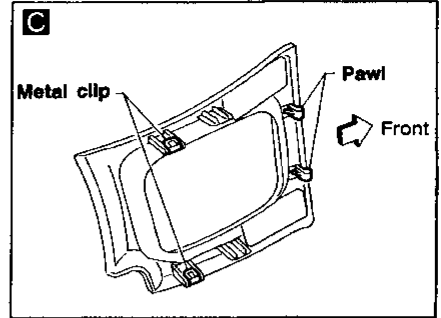
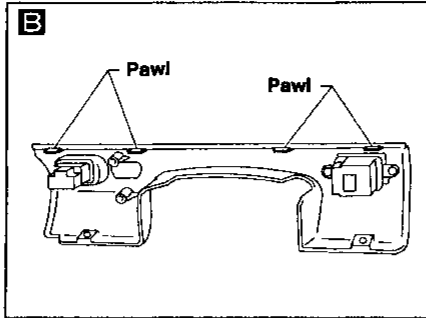
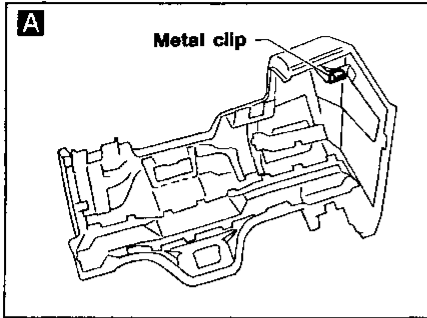
HA

EL

IDX

SBT031

INSTRUMENT PANEL



INTERIOR TRIM

Side and Floor Trim

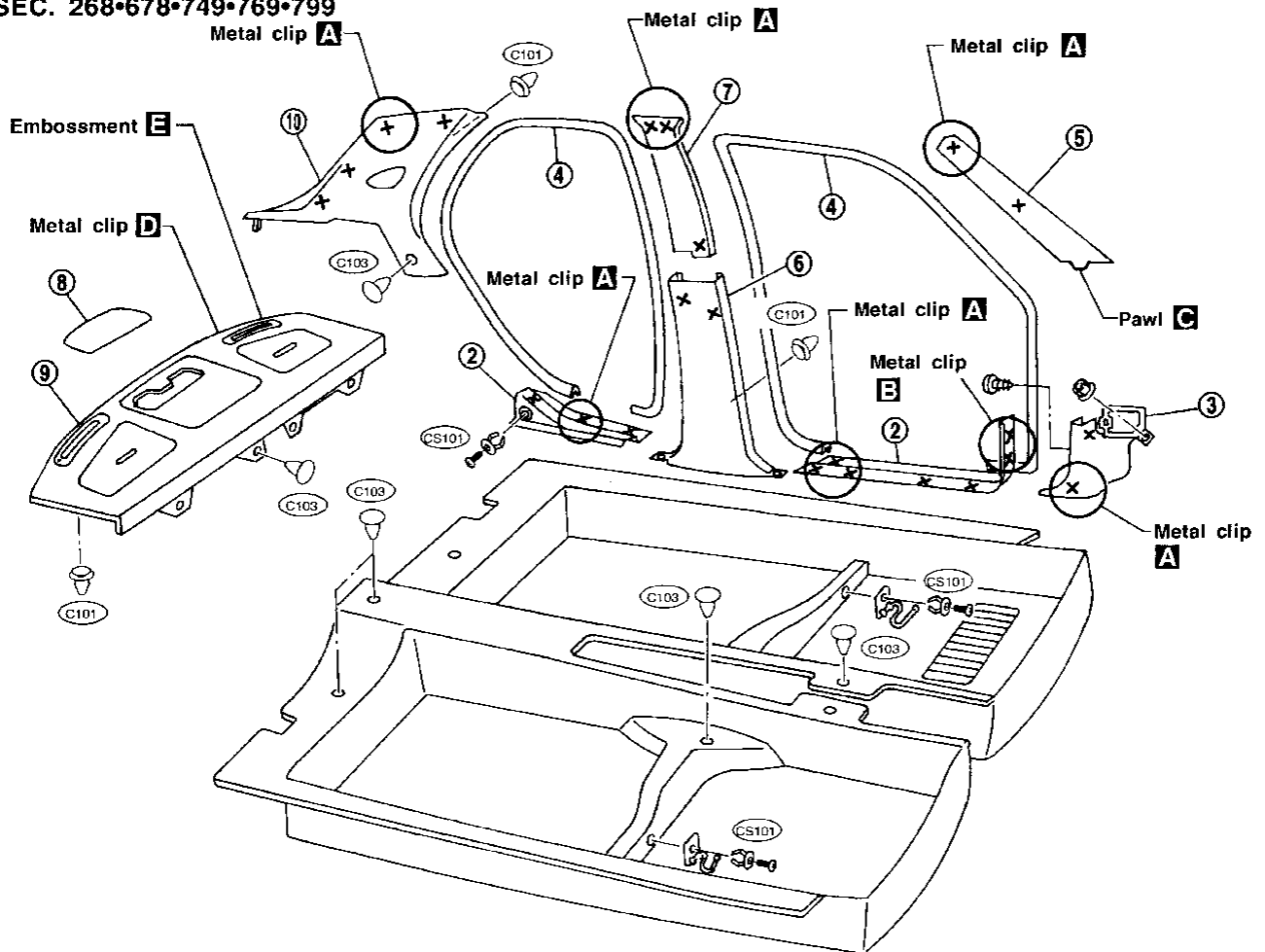
CAUTION:

- Be sure to remove front, center and rear pillar garnishes by pulling them straight out. Use a long flat-bladed screwdriver when removing metal clips from rear pillar garnish **A**.
- Wrap the tip of flat-bladed screwdriver with a cloth when removing metal clips from garnishes.

REMOVAL — Body side trim

- ① Remove front and rear seats. Refer to "SEAT" for details, BT-24.
- ② Remove front and rear kicking plates.
- ③ Remove dash side lower finishers.
- ④ Remove front and rear body side welts.
- ⑤ Remove front pillar garnishes.
- ⑥ Remove center pillar lower garnishes.
- ⑦ Remove center pillar upper garnishes.
- ⑧ Remove high-mounted stop lamp.
- ⑨ Remove rear parcel shelf finisher.
- ⑩ Remove rear pillar garnishes.

SEC. 268•678•749•769•799

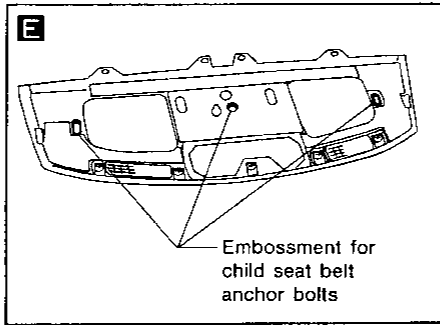
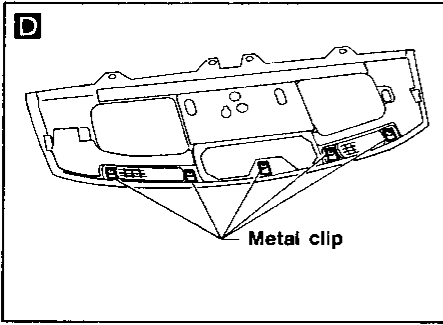
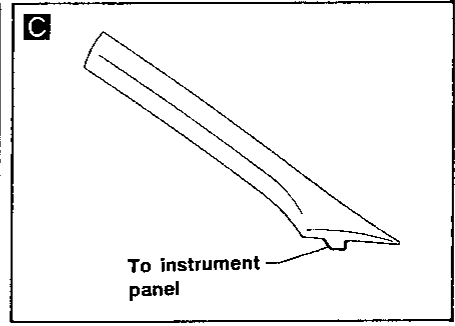
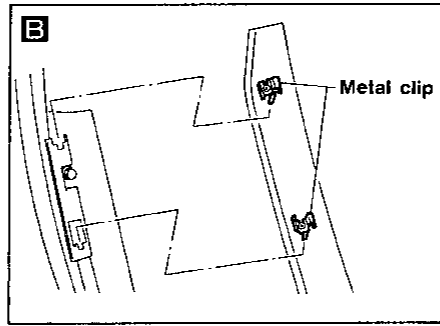
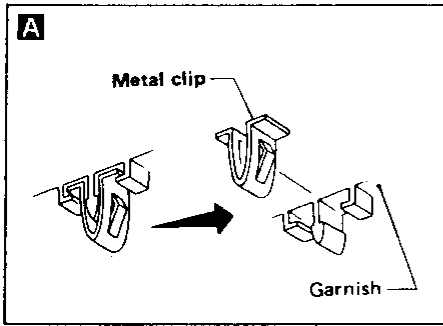


SBT033

GI
MA
EM
LC
EC
FE
AT
PD
FA
RA
BR
ST
RS
BT
HA
EL
IDX

INTERIOR TRIM

Side and Floor Trim (Cont'd)

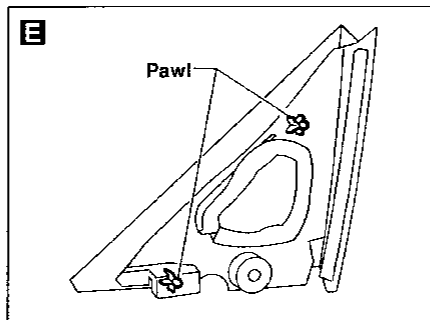
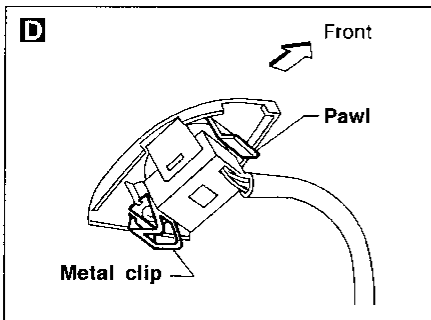
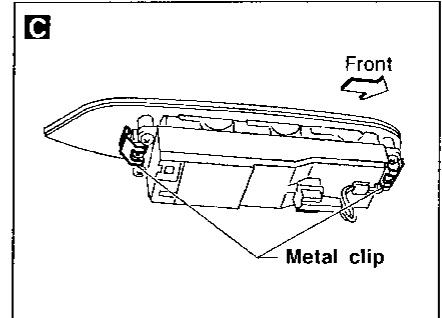
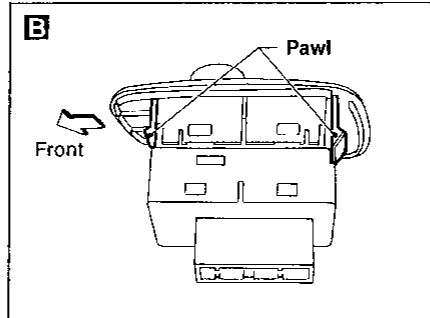
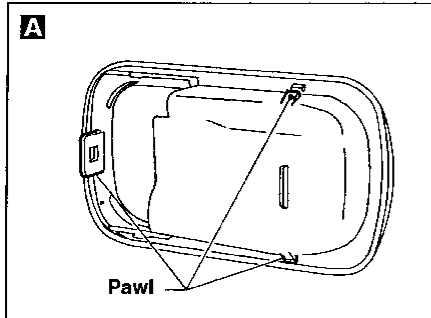
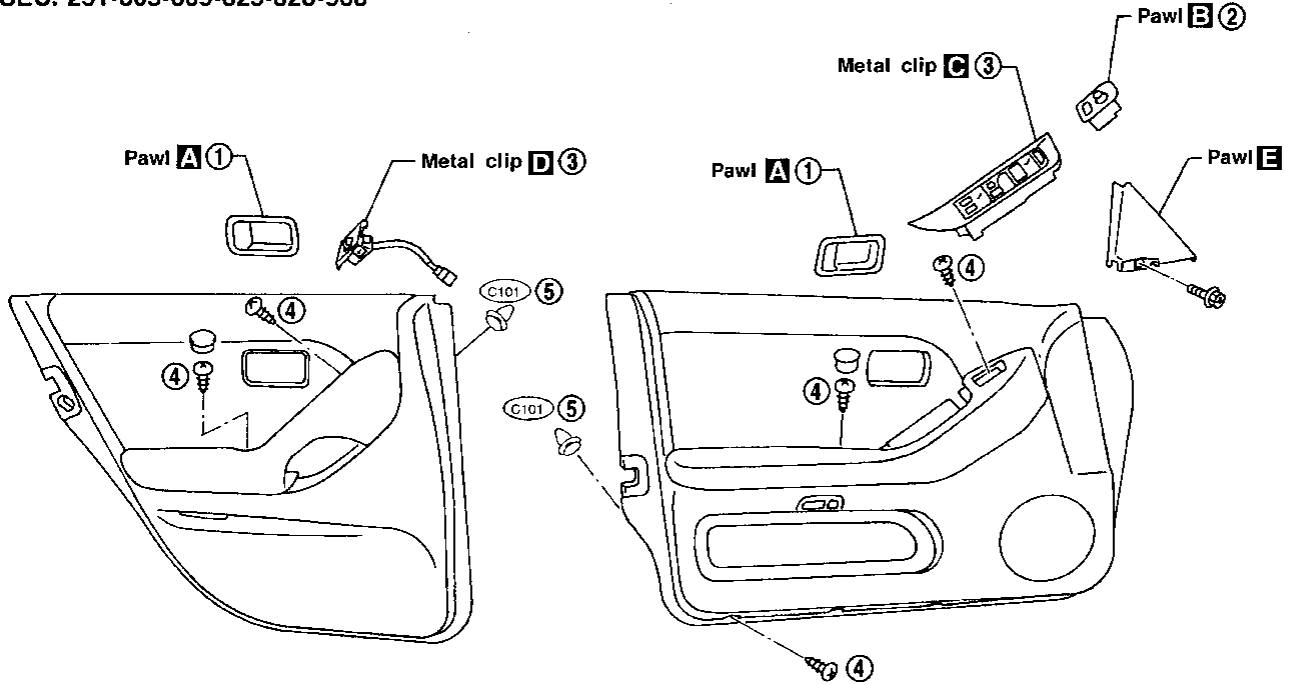


Door Trim

REMOVAL — Door trim

- ① Remove inside handle escutcheon.
- ② Remove door mirror switch.
- ③ Remove front and rear power window switches.
- ④ Remove screws.
- ⑤ Remove clips (C101) securing door finisher.
- ⑥ Lift out door finisher.

SEC. 251•805•809•825•828•963



GI

MA

EM

LC

EC

FE

AT

PD

FA

RA

BR

ST

RS

BT

HA

EL

IDX

INTERIOR TRIM

Roof Trim

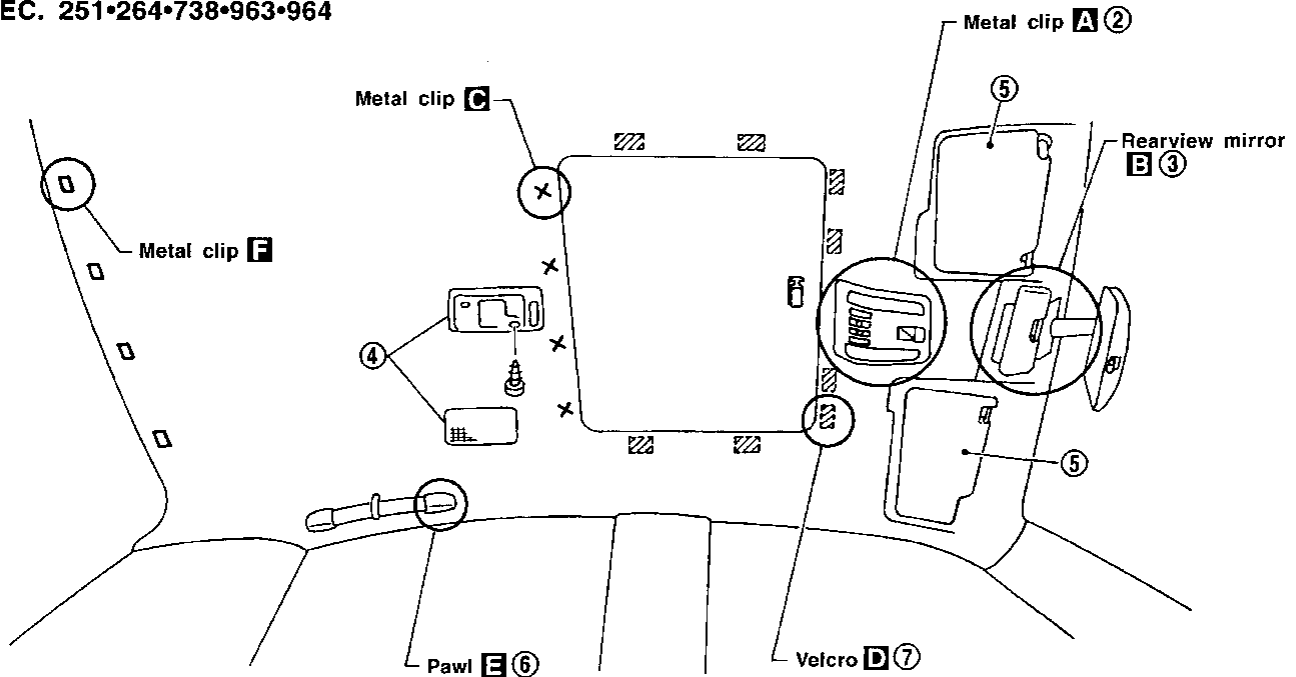
CAUTION:

- Headlining metal clip removal
- 1) Remove retainer from sunroof side.
- 2) Remove rear metal clip by pulling it straight down.
- 3) Remove metal clip from rear of sunroof by pulling it toward front of vehicle.

REMOVAL — Headlining

- ① Remove body side trim. Refer to "Side and Floor Trim" in "INTERIOR TRIM" for details, BT-13.
 - ② Remove sunroof switch assembly.
 - ③ Remove rearview mirror assembly.
 - ④ Remove room lamp assembly.
 - ⑤ Remove sun visors.
 - ⑥ Remove assist grips.
 - ⑦ Remove velcro retainers from sunroof opening.
- Detach roof panel-side velcro pieces from headlinings using screwdriver.
 - When installing detached velcro pieces, secure to roof panel with retainers paying attention to installation direction.

SEC. 251•264•738•963•964

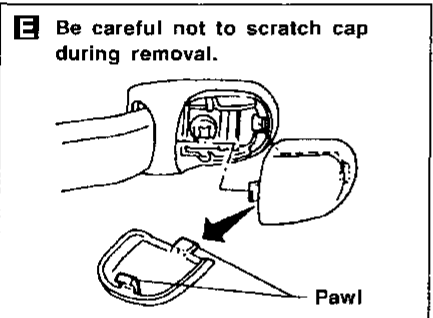
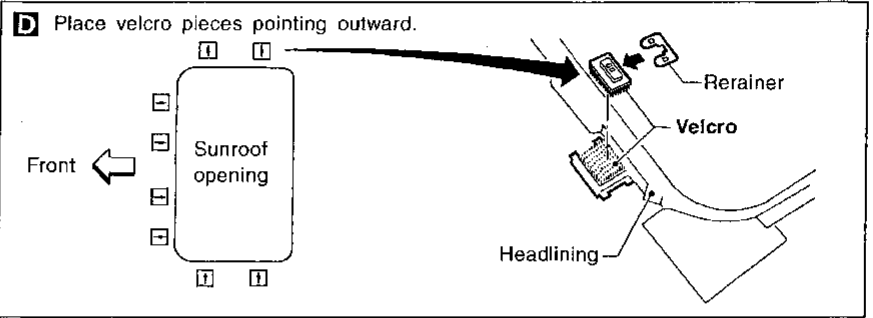
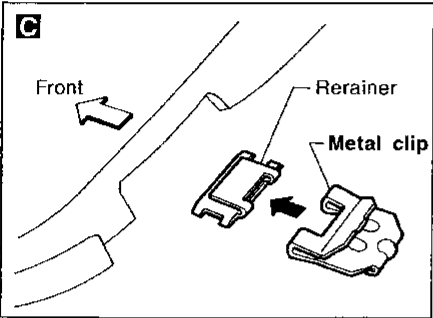
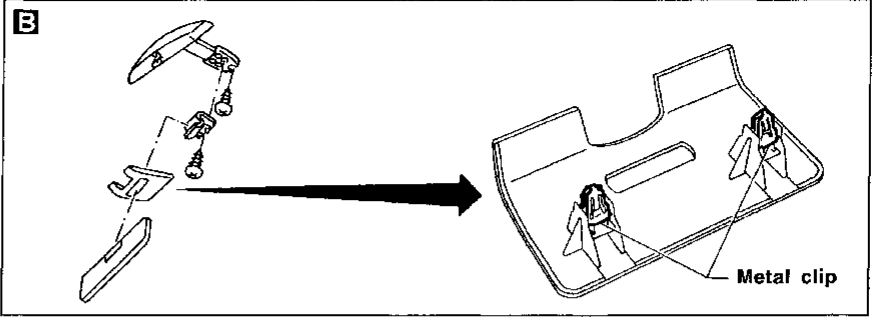
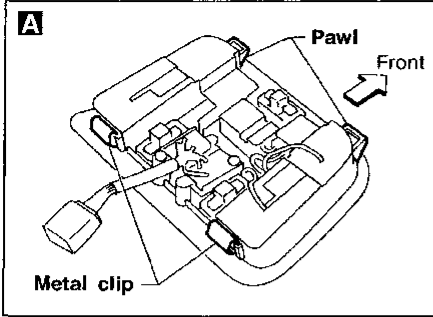


▨ : Velcro

SBT035

INTERIOR TRIM

Roof Trim (Cont'd)

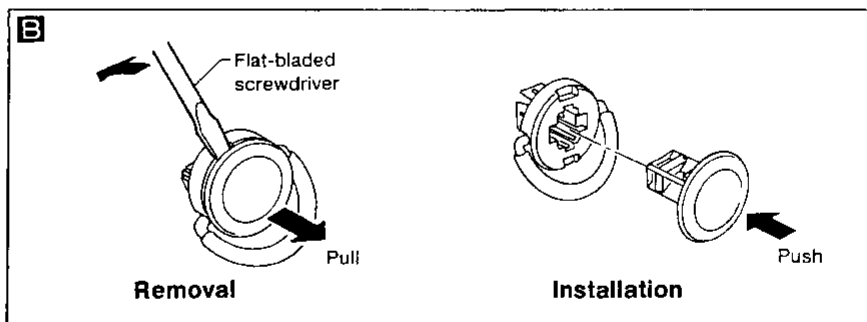
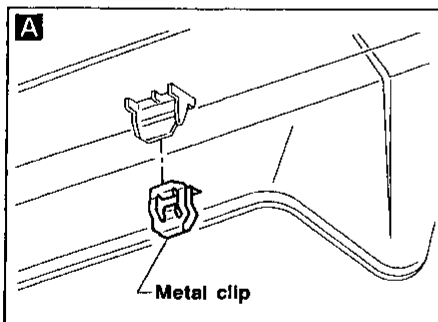
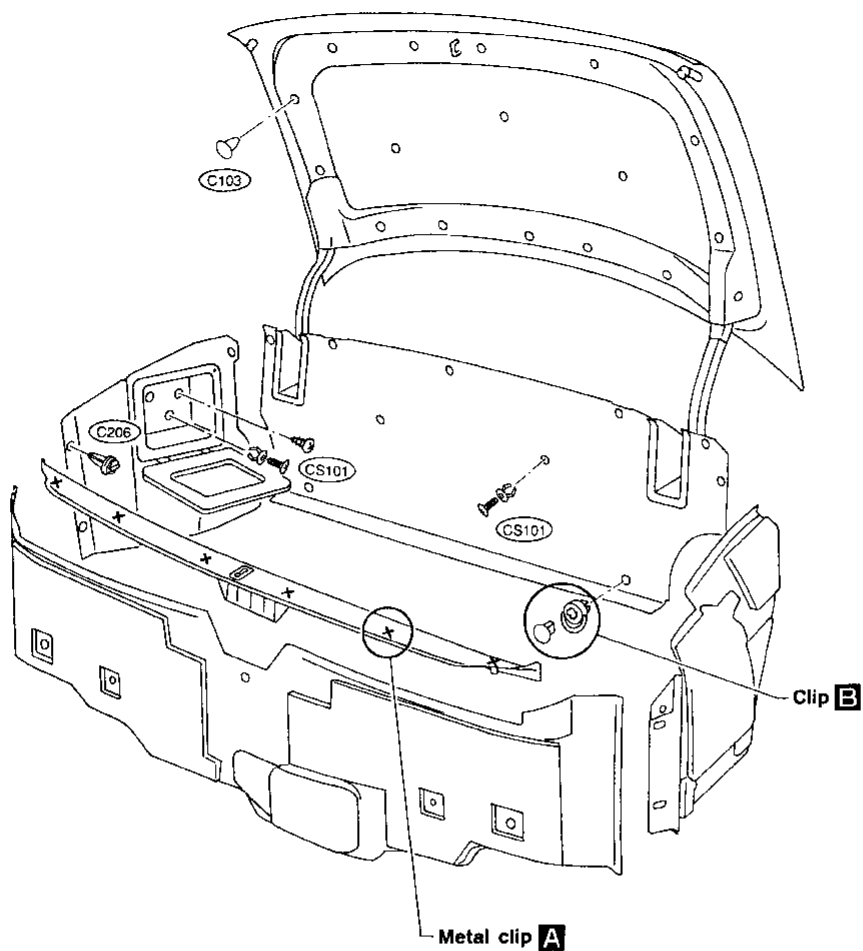


GI
MA
EM
LC
EC
FE
AT
PD
FA
RA
BR
ST
RS
BT
HA
EL
IDX

INTERIOR TRIM

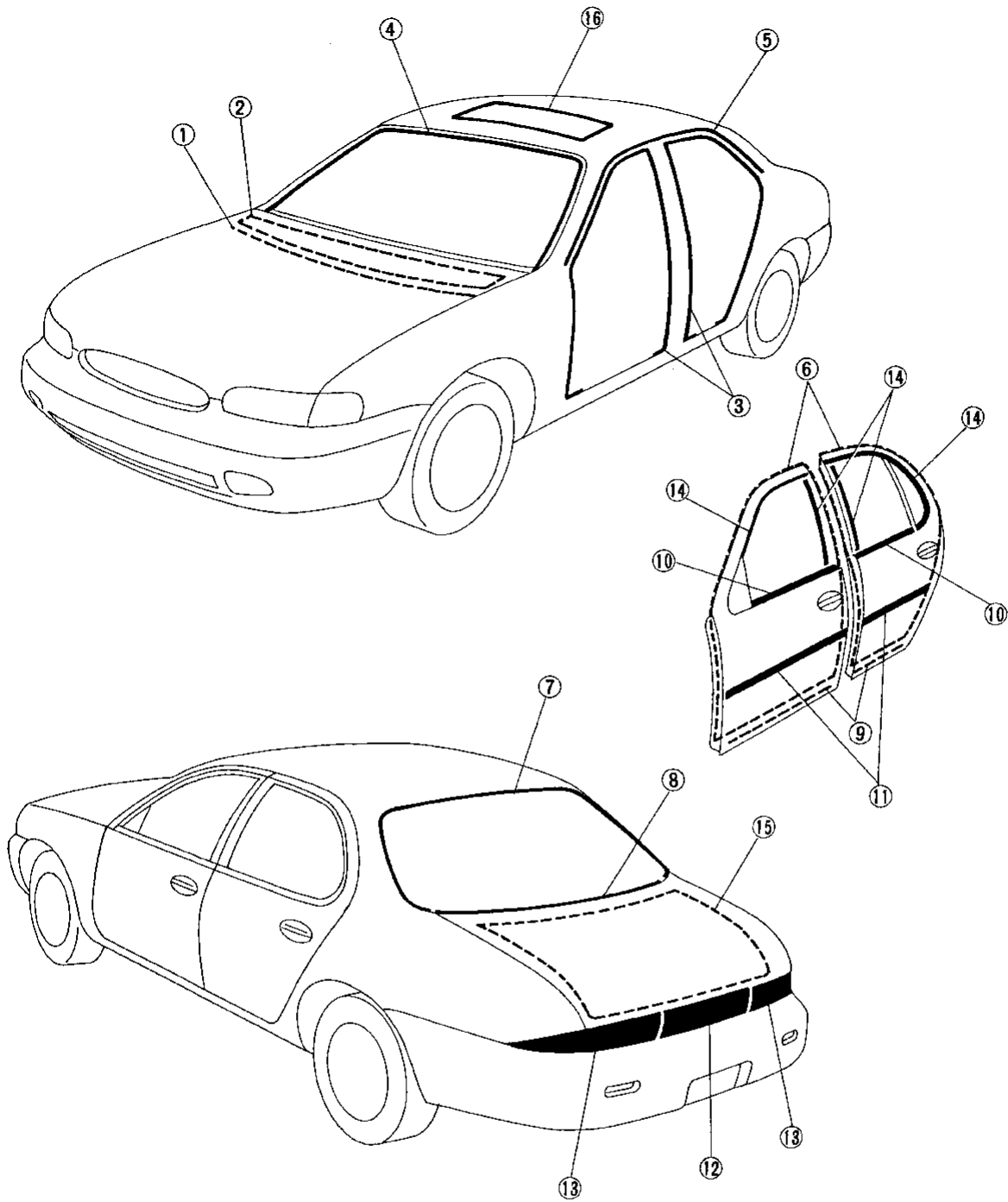
Trunk Room Trim

SEC. 849



SBT001-A

EXTERIOR



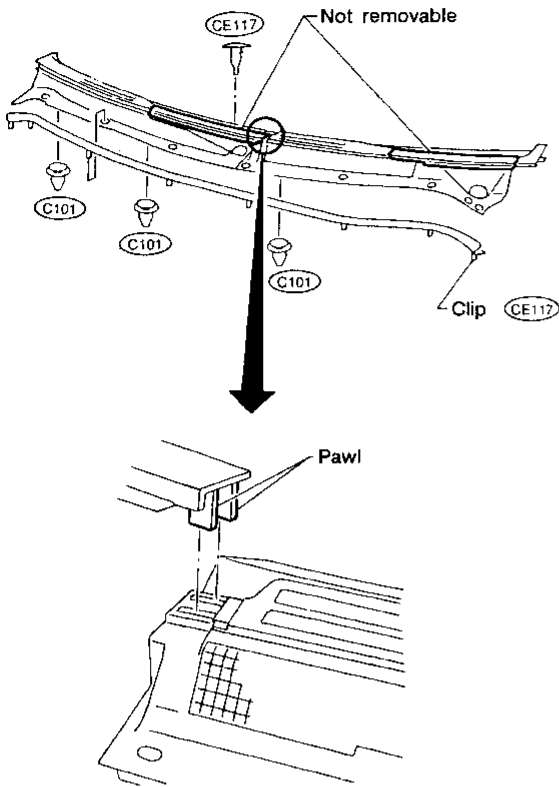
GI
MA
EM
LC
EC
FE
AT
PD
FA
RA
BR
ST
RS
BT

MBF659A

HA
EL
IDX

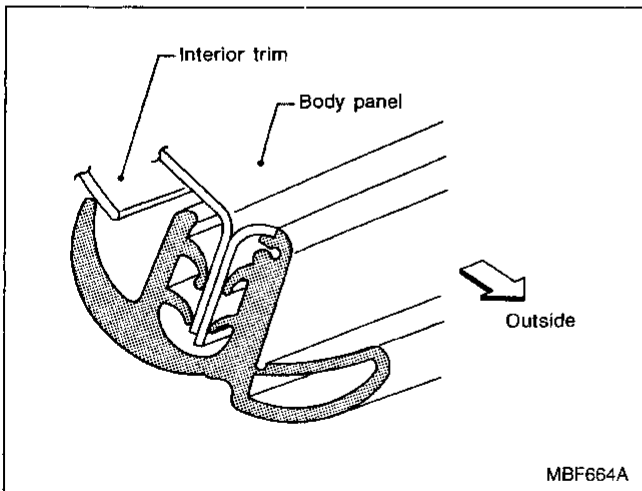
① ② Cowl top seal and cowl top grille

SEC. 660



MBF663AA

③ Body side welt

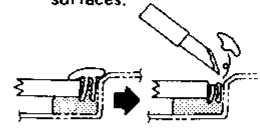


MBF664A

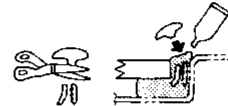
④ Windshield upper molding and side molding

Method 1

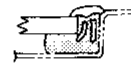
Cut off top portion of molding and clean glass and panel surfaces.



Apply sealant to top portion of molding.



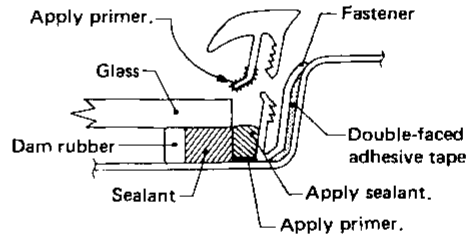
Cut off lower portion of new molding.



Finish well to give it a good appearance.

Method 2

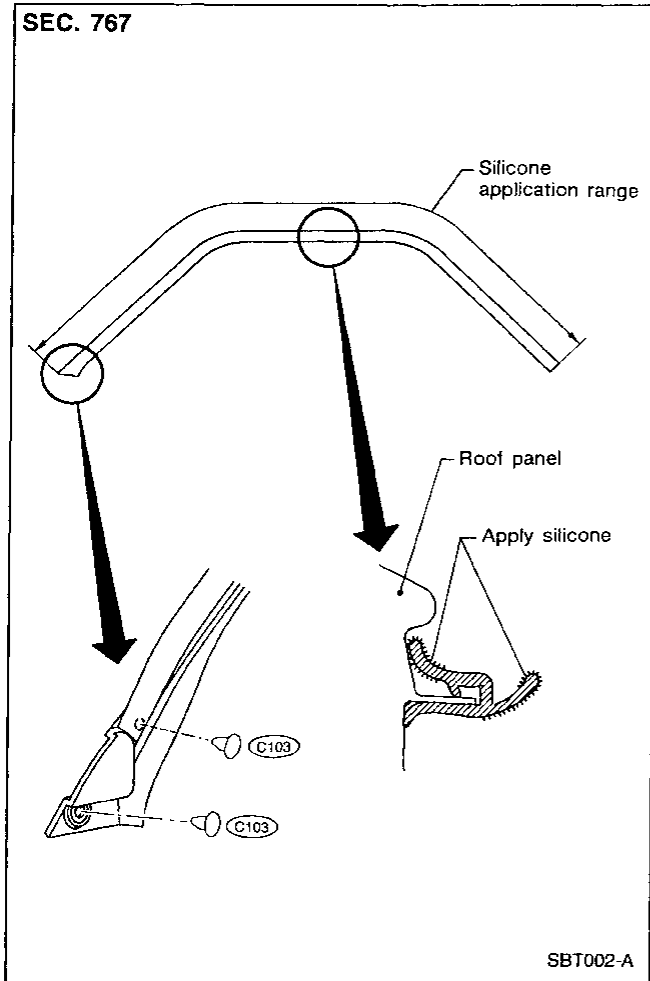
1. Cut off sealant at glass end.
2. Clean the side on which panel was mounted.
3. Set molding fastener and apply sealant to body panel, and apply primer to molding and body.



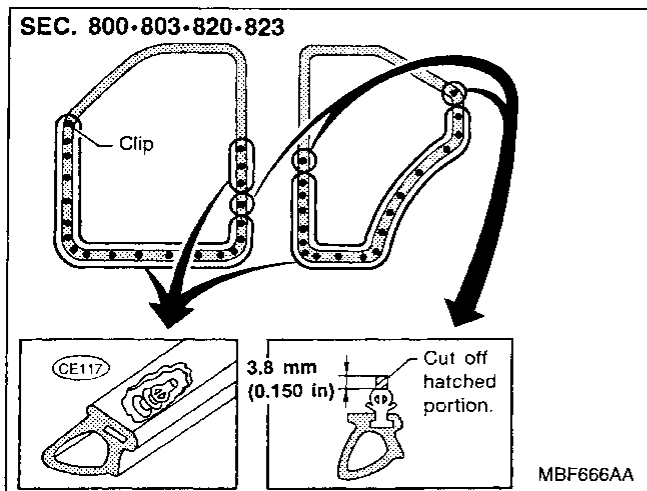
4. Install molding by aligning the molding mark located on center with vehicle center. Be sure to install tightly so that there is no gap around the corner.

SBF161E

⑤ Drip molding



⑥ Door weatherstrip



⑦ Rear window upper molding and side molding

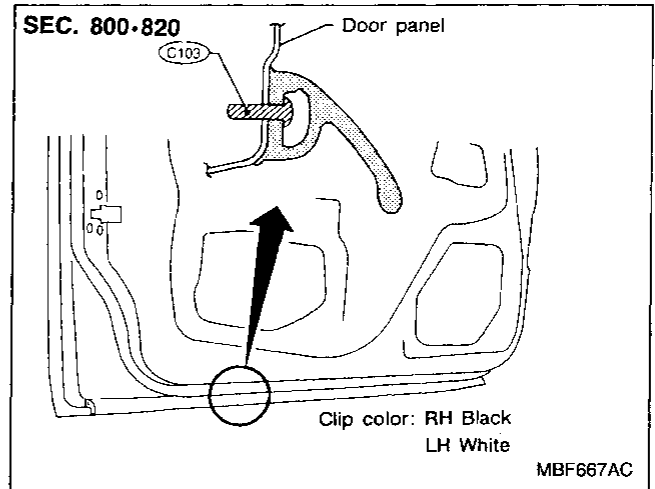
Basically the same as windshield upper molding and side molding.

Refer to ④ Windshield upper molding and side molding.

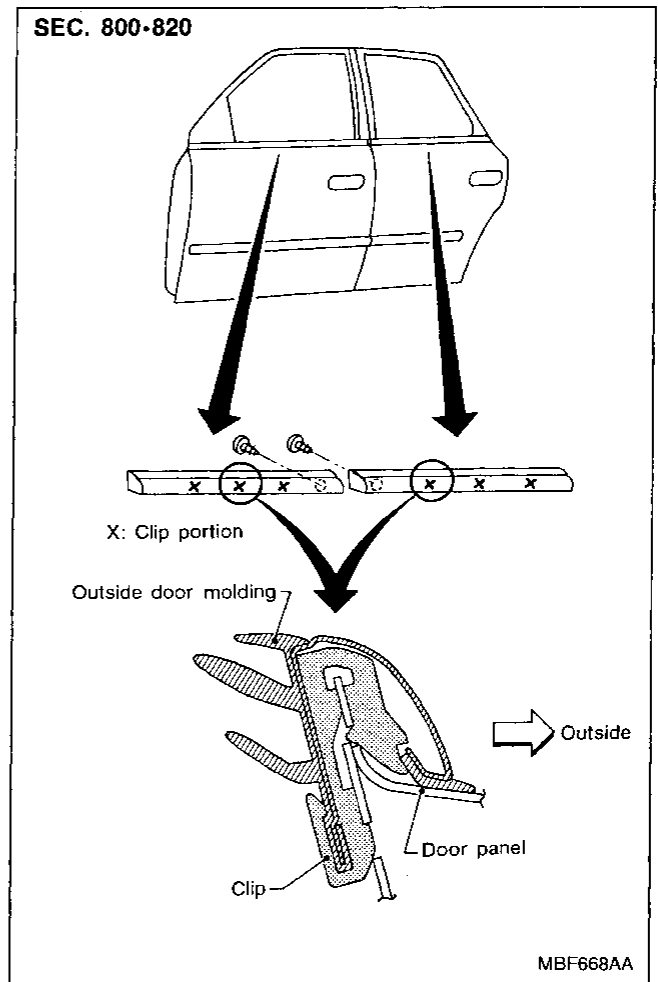
⑧ Rear window lower molding

Mounted with screws.

⑨ Door parting seal



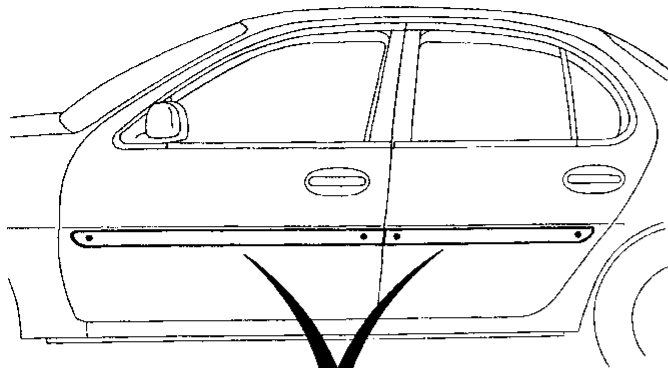
⑩ Door outside molding



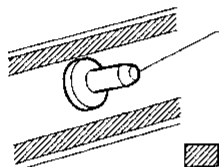
GI
MA
EM
LC
EC
FE
AT
PD
FA
RA
BR
ST
RS
BT
HA
EL
IDX

11 Side guard molding

SEC. 766



● : Locating pin portion

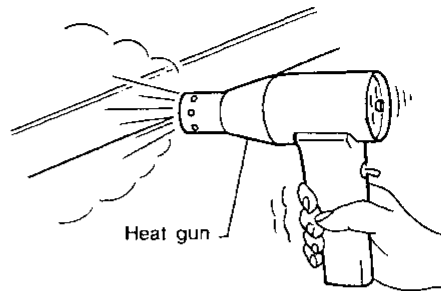


Locating pin (Bonded)

▨ : Double-faced adhesive tape

● Removal:

1. Heat molding portion to 30 to 40°C (86 to 104°F) with a heat gun.



Heat gun

SBF455A

2. Raise end of molding and, while cutting off bonding agent, detach molding.

● Installation:

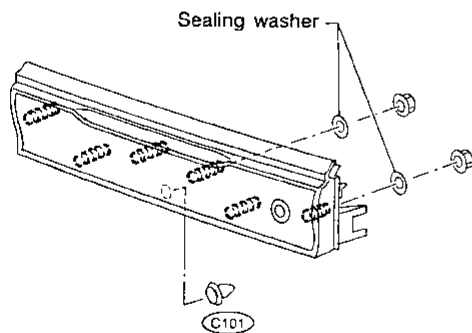
1. Remove all traces of bonding agent from body panel. Then clean contact face of body.
2. Heat body panel and molding to 30 to 40°C (86 to 104°F) with a heat gun. Then install molding.

MBF669AA

- With a vehicle coated with Hard Clear Coat, use double-faced 3M adhesive tape Product No. 4210 or equivalent, after priming with 3M primer Product No. N-200 or C-100 or equivalent.

12 Rear garnish

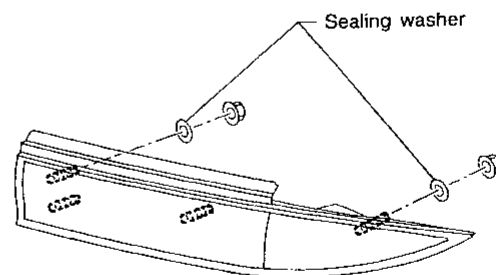
SEC. 790



MBF670AA

13 Rear combination lamp

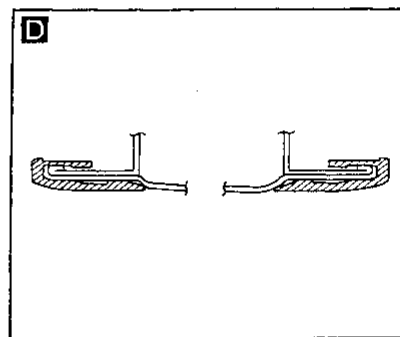
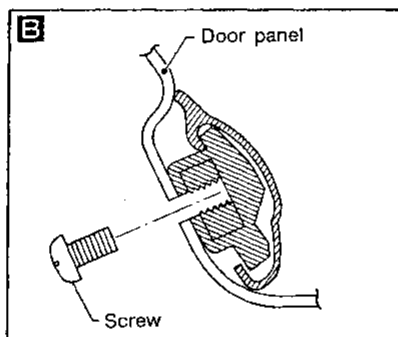
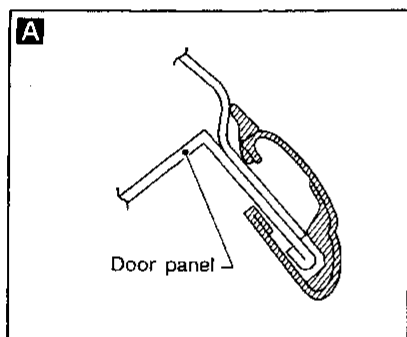
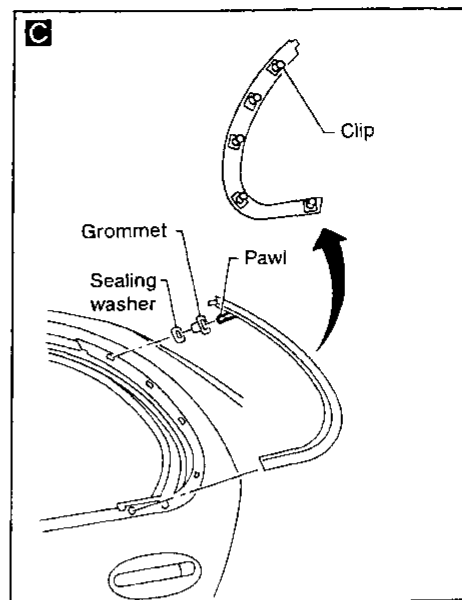
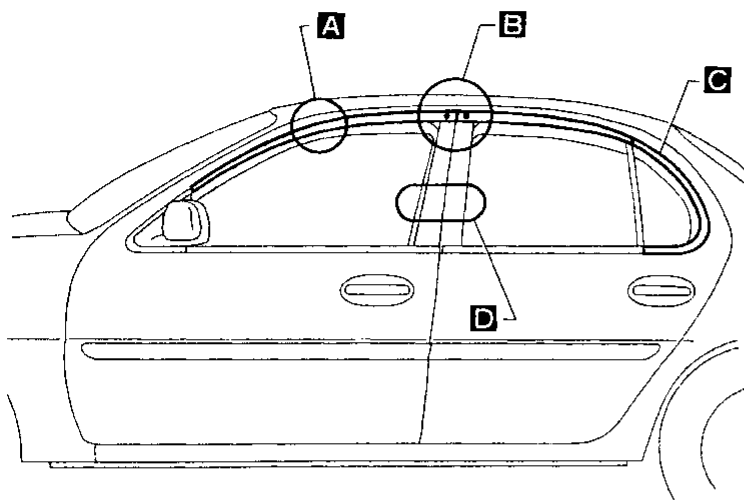
SEC. 265



MBF671AA

14 Front and rear door sash molding

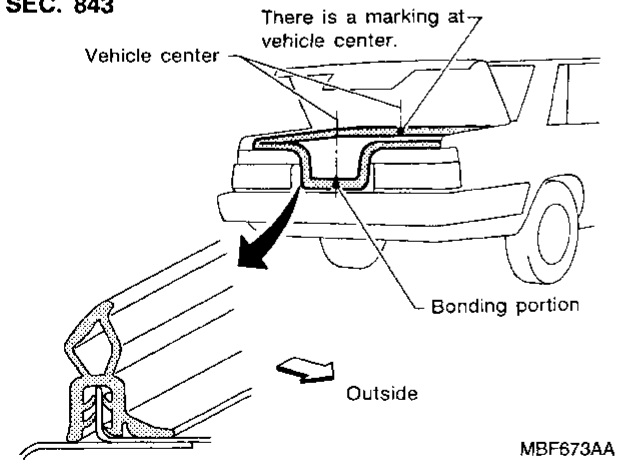
SEC. 800



MBF672AA

15 Trunk lid weatherstrip

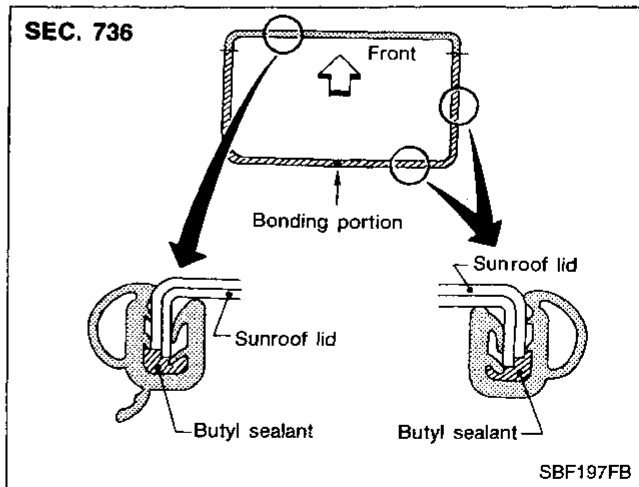
SEC. 843



MBF673AA

16 Sunroof weatherstrip

SEC. 736



SBF197FB

GI
MA
EM
LC
EC
FE
AT
PD
FA
RA
BR
ST
RS
BT
HA
EL
IDX

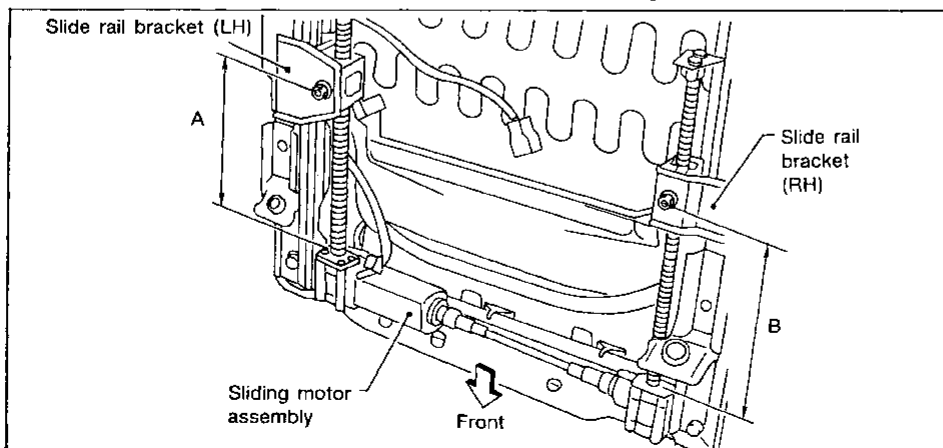
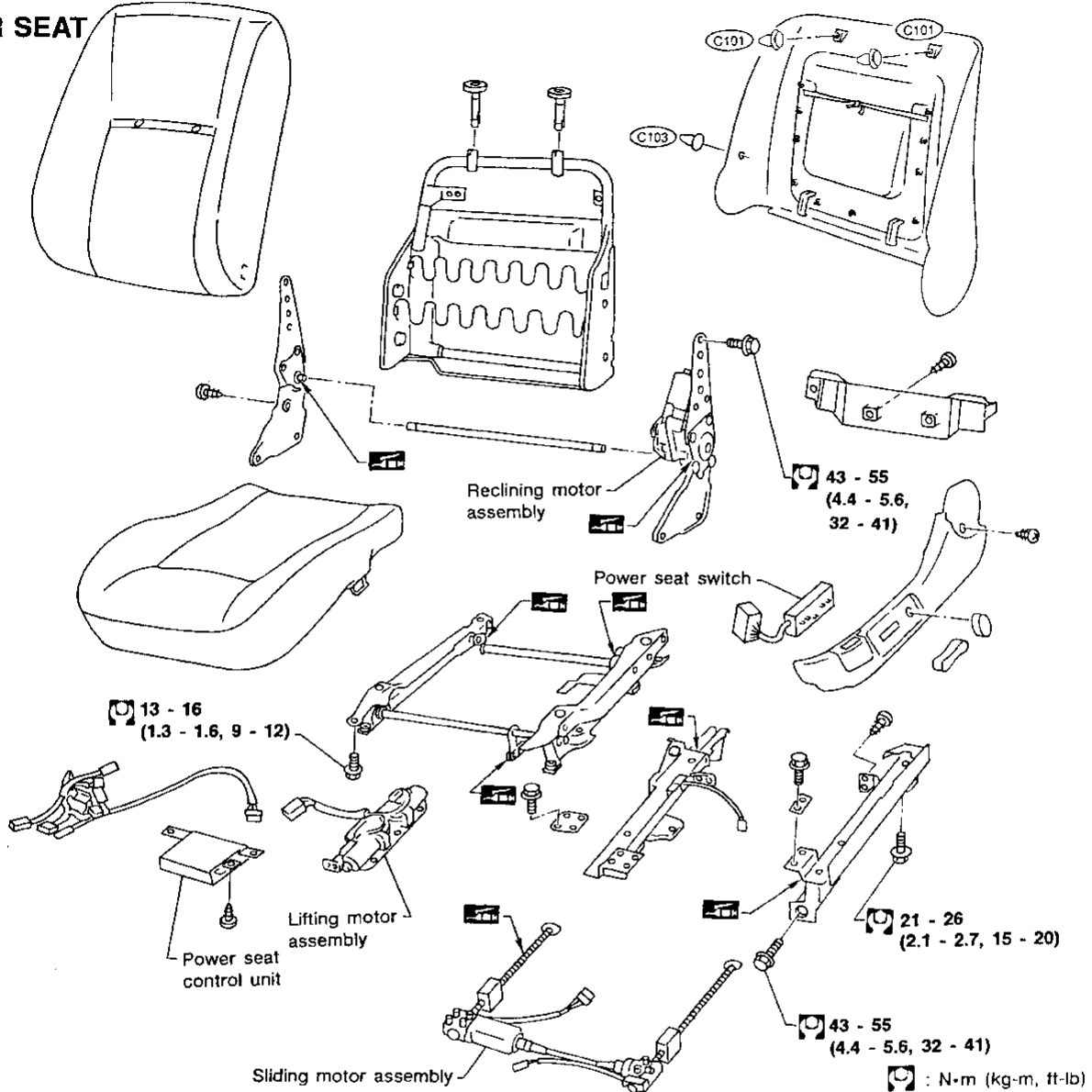
SEAT

- When removing or installing the seat trim, carefully handle it to keep dirt out and avoid damage.
- ★ For Wiring Diagram, refer to "POWER SEAT" in EL section.

Front Seat

POWER SEAT

SEC. 870



Sliding motor installation
When installing sliding motor, an equal distance should be placed between left/right slide rail brackets and sliding motor.

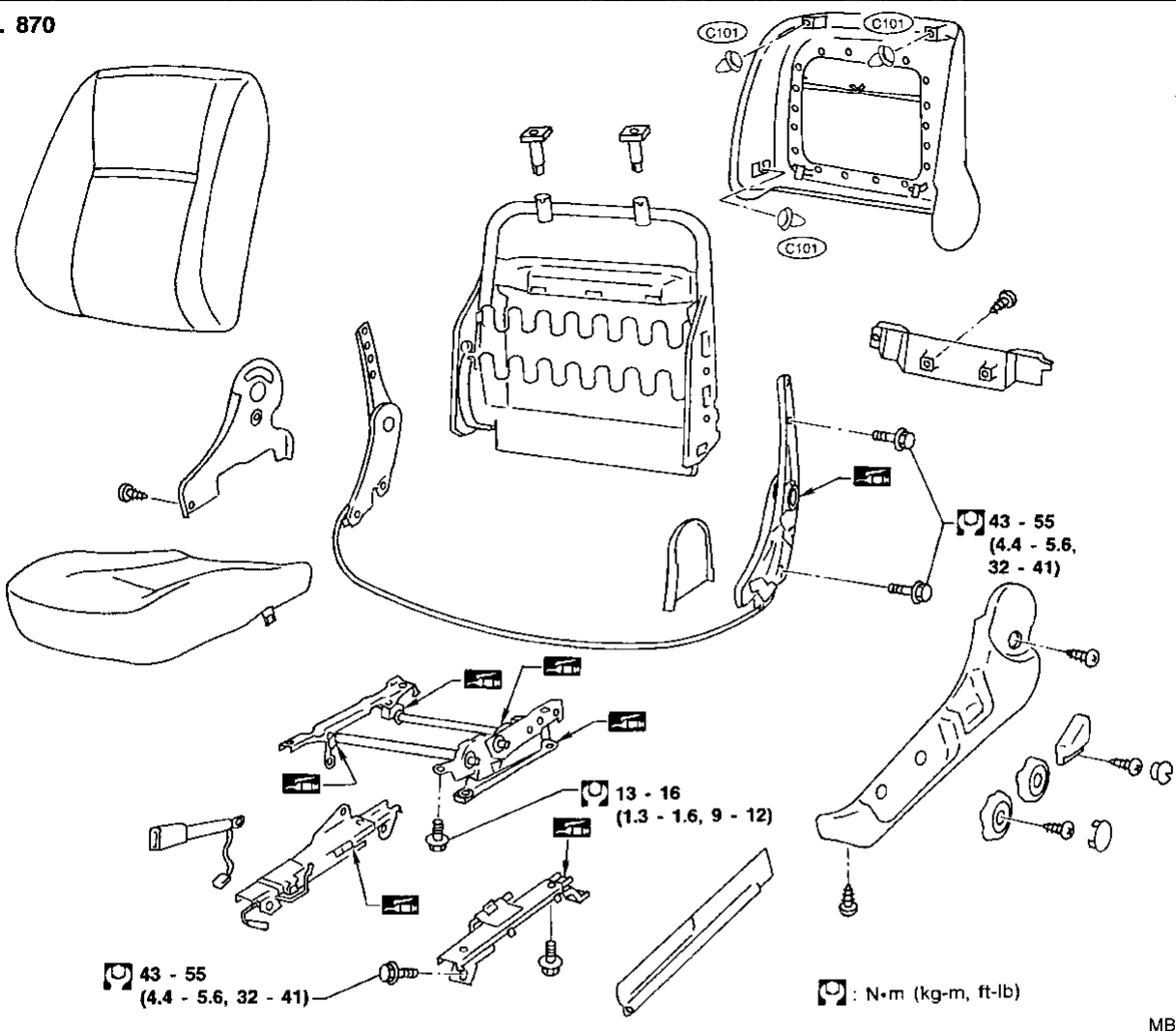
MBF309BA

SEAT

Front Seat (Cont'd)

MANUAL SEAT

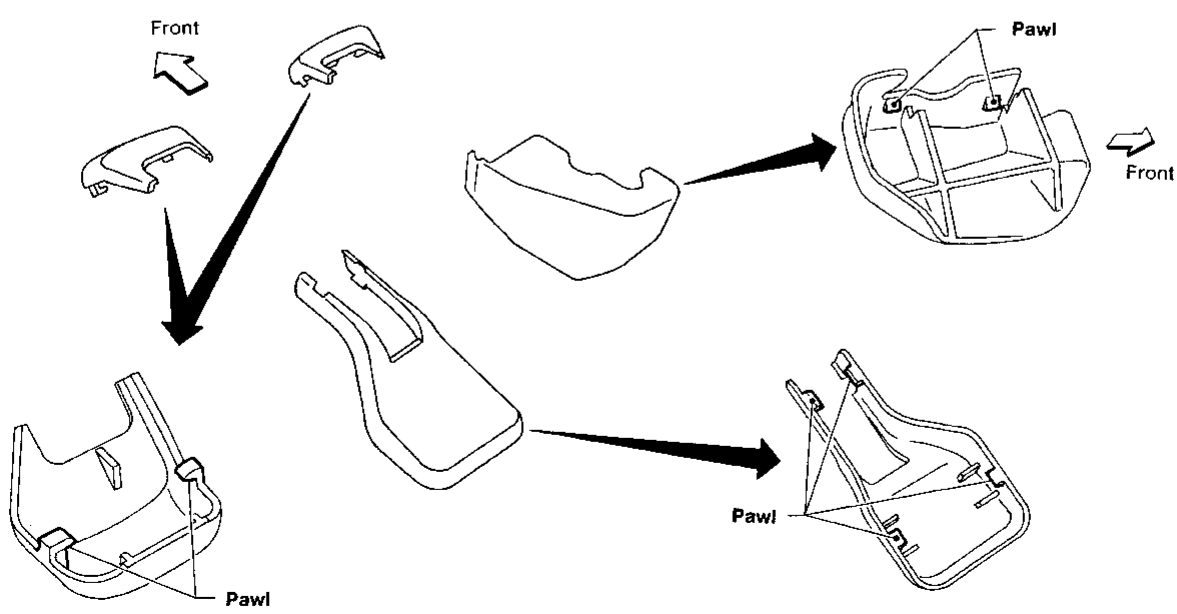
SEC. 870



MBF647AA

GI
MA
EM
LC
EC
FE
AT
PD
FA
RA
BR
ST
RS
BT
HA
EL
IDX

Seat rail cover



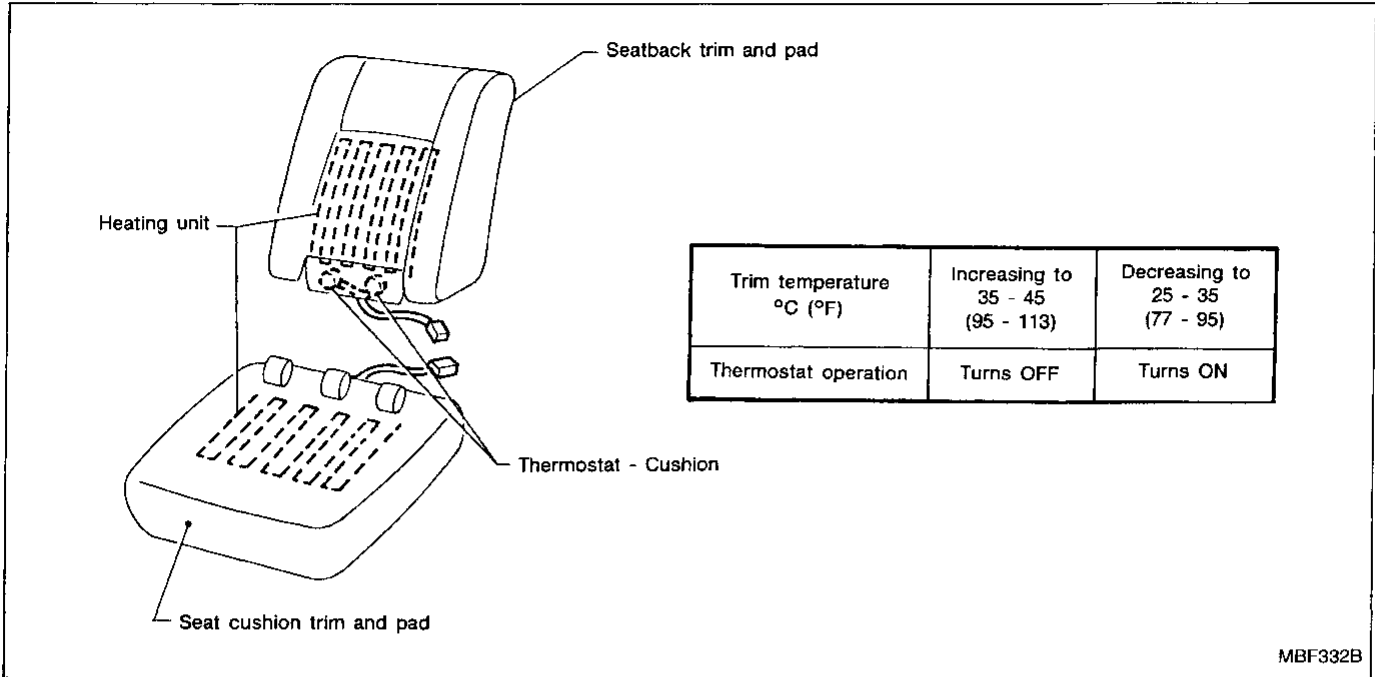
MBF648A

SEAT

Front Seat (Cont'd)

HEATED SEAT

- When handling seat, be extremely careful not to scratch heating unit.
- To replace heating unit, seat trim and pad should be separated.
- Do not use any organic solvent, such as thinner, benzene, alcohol, gasoline, etc. to clean trims.

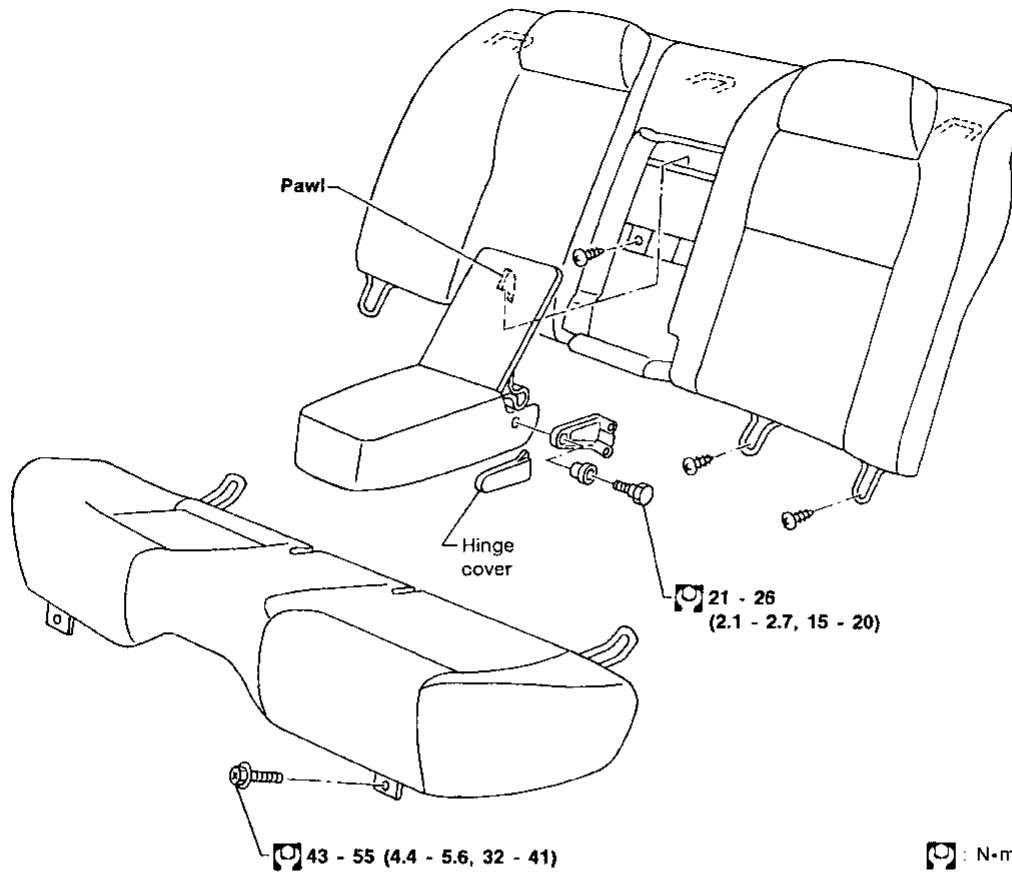


★ For Wiring Diagram, refer to "HEATED SEAT" in EL section.

SEAT

Rear Seat

SEC. 880



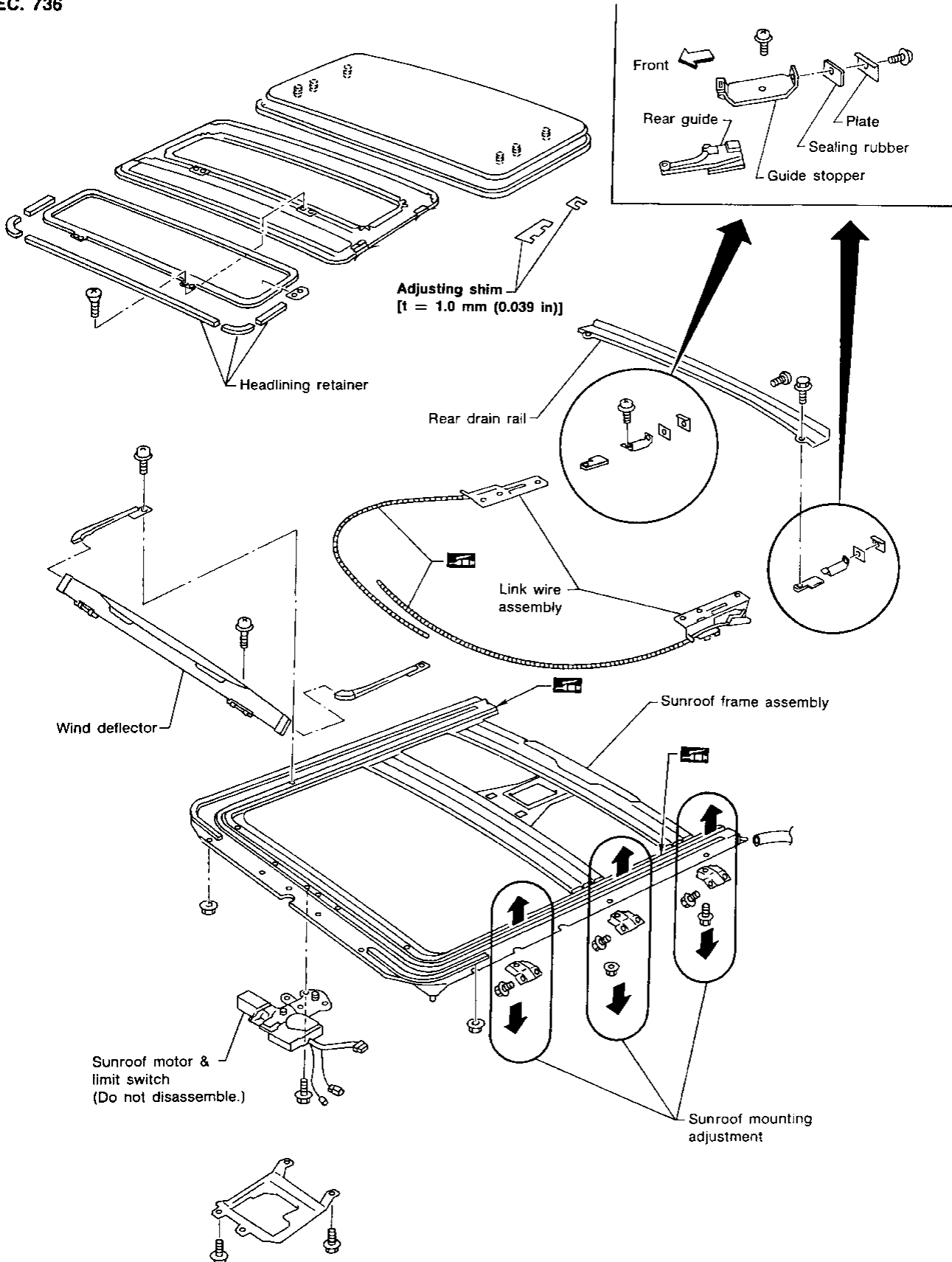
SBT005-A

GI
MA
EM
LC
EC
FE
AT
PD
FA
RA
BR
ST
RS
BT
HA
EL
IDX

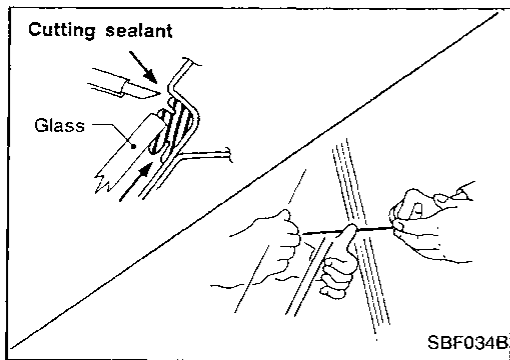
SUNROOF

★ For Wiring Diagram, refer to "ELECTRIC SUNROOF" in EL section.

SEC. 736



WINDSHIELD AND WINDOWS



REMOVAL

After removing moldings, remove glass.

CAUTION:

Be careful not to scratch glass when removing.

INSTALLATION

- Use genuine Nissan Sealant kit or equivalent. Follow instructions furnished with it.
- After installing the glass, the vehicle should remain stationary until the sealant hardens.

WARNING:

Keep heat and open flames away as primers are flammable.

CAUTION:

Advise the user of the fact that vehicle should not be driven on rough roads or surfaces until sealant has properly vulcanized.

- Do not use sealant which is past its usable term.
- Do not leave cartridge unattended with its cap open.
- Keep primers and sealant in a cool, dry place. Ideally, they should be stored in a refrigerator.
- Molding must be installed securely so that it is in position and leaves no gap.

Windshield and Rear Window

<p>Body side</p> <p>Install spacer to panel. Windshield</p> <p>Locating panel</p>	<p>Glass side</p> <p>Install dam rubber. Windshield</p> <p>Rear window</p>
<p>Install molding fastener. When installing it, heat body panel and fastener to approx. 30 to 40°C (86 to 104°F).</p> <p>Upper & side molding fasteners</p> <p>Panel</p> <p>Fastener</p> <p>Double-faced adhesive tape</p>	<p>Apply sealant evenly. Windshield and rear window</p> <p>Unit: mm (in)</p> <p>MBF344B</p>

REPAIRING WATER LEAKS FOR WINDSHIELD

Leaks can be repaired without removing and reinstalling glass.

If water is leaking between caulking material and body or between glass and caulking material, determine the extent of the leak by applying water while pushing glass outward.

To stop the leak, apply primer and then sealant to the leak point.

MIRROR

Door Mirror

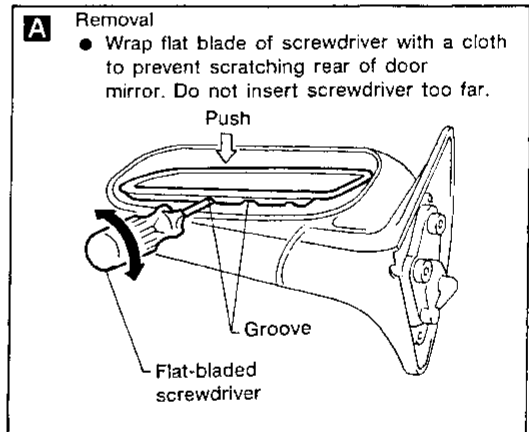
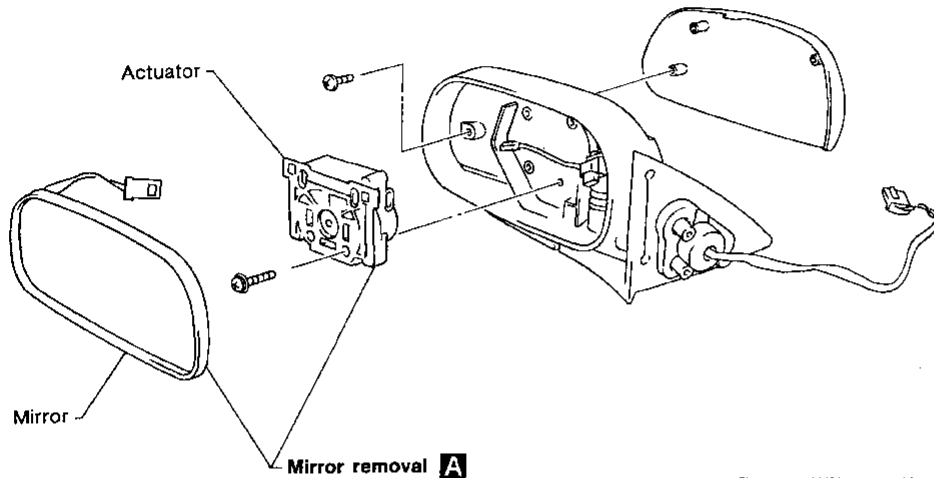
CAUTION:

Be careful not to scratch door mirror body.

REMOVAL — Door mirror

1. Remove door trim. Refer to "Door Trim" in "INTERIOR TRIM" for details, BT-15.
2. Remove inner cover front corner of door.
3. Disconnect door mirror harness connector.
4. Remove harness clips.
5. Remove three bolts securing door mirror.

SEC. 963



MBF654AA

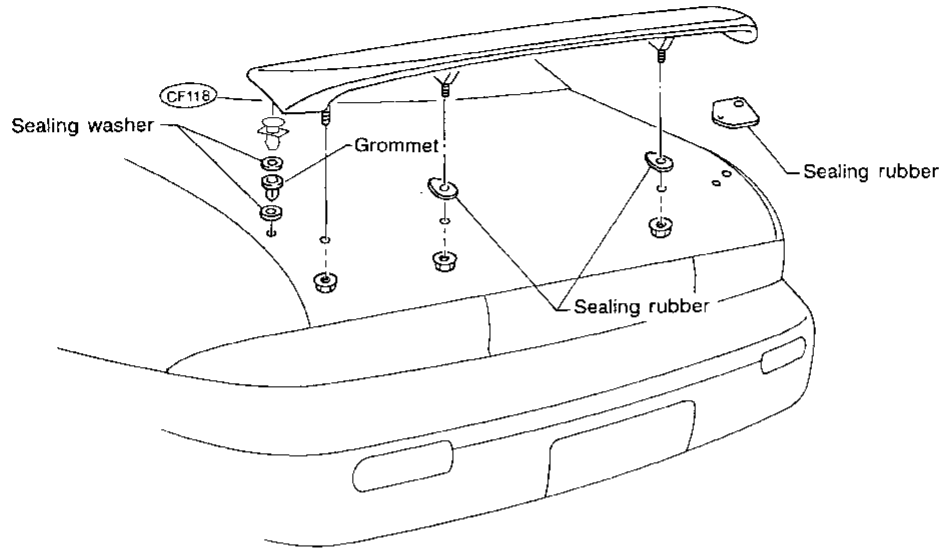
★ For Wiring Diagram, refer to "POWER DOOR MIRROR" in EL section.

REAR AIR SPOILER

- When installing, make sure that there are not gaps or waves at ends of air spoiler.
- Before installing spoiler, clean and remove oil from surface where spoiler will be mounted.

REAR AIR SPOILER

SEC. 960



GI

MA

EM

LC

EC

FE

AT

PD

FA

RA

MBF655AA

BR

ST

RS

BT

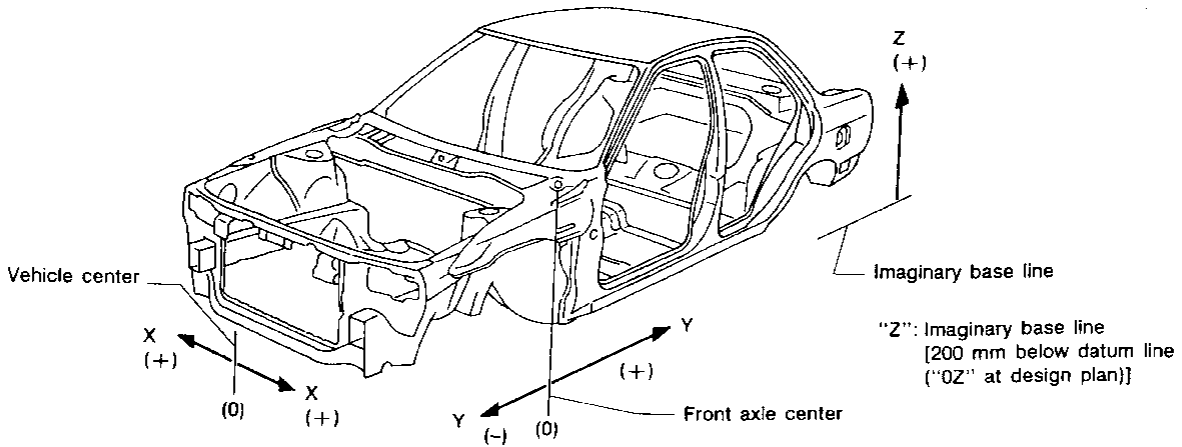
HA

EL

IDX

BODY ALIGNMENT

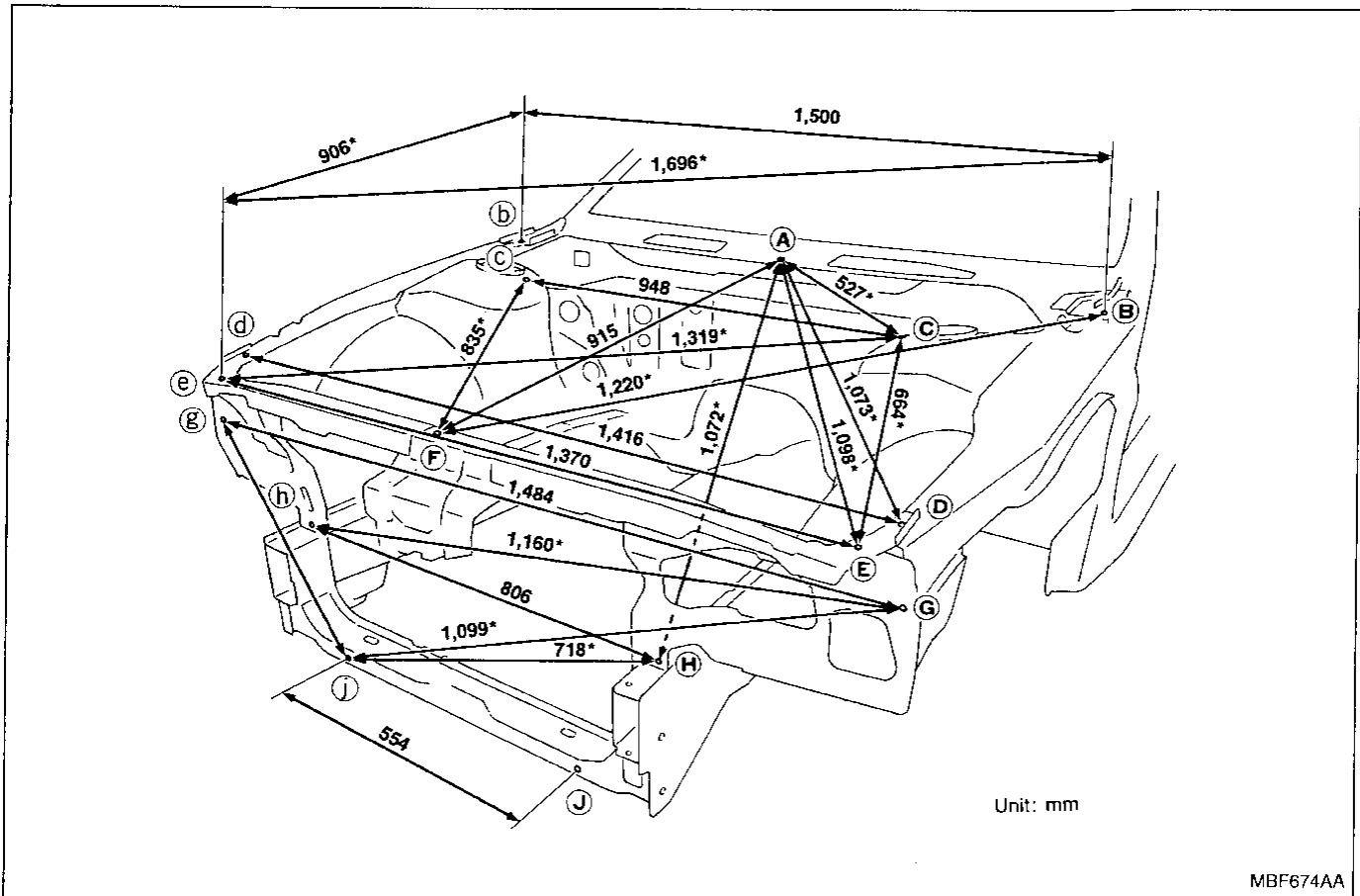
- All dimensions indicated in figures are actual ones.
- When using a tracking gauge, adjust both pointers to equal length. Check the pointers and gauge itself to make sure there is no free play.
- When a measuring tape is used, check to be sure there is no elongation, twisting or bending.
- Measurements should be taken at the center of the mounting holes.
- An asterisk (*) following the value at the measuring point indicates that the measuring point on the other side is symmetrically the same value.
- The coordinates of the measurement points are the distances measured from the standard line of "X", "Y" and "Z".



SBF874GB

Engine Compartment

MEASUREMENT



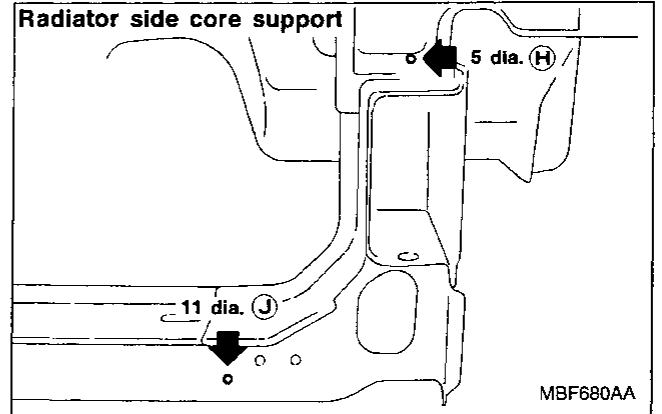
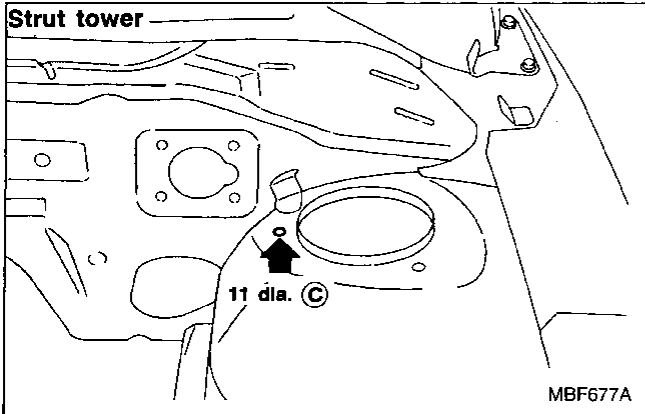
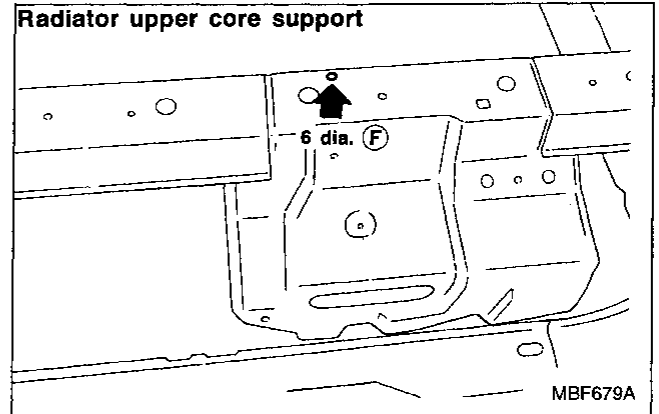
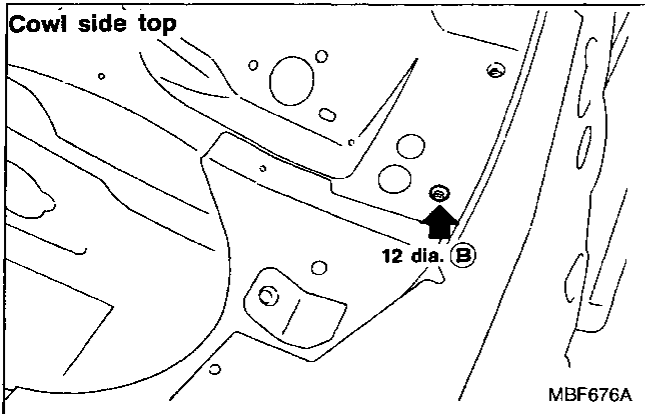
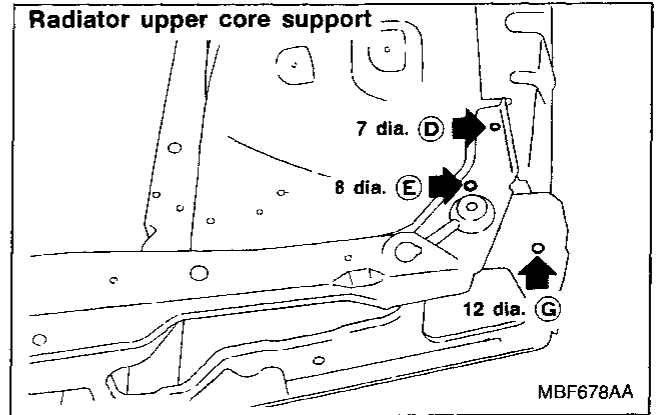
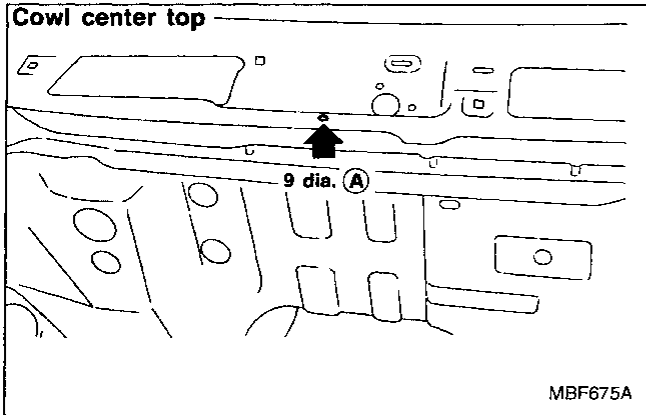
MBF674AA

BODY ALIGNMENT

Engine Compartment (Cont'd)

Unit: mm

MEASUREMENT POINTS

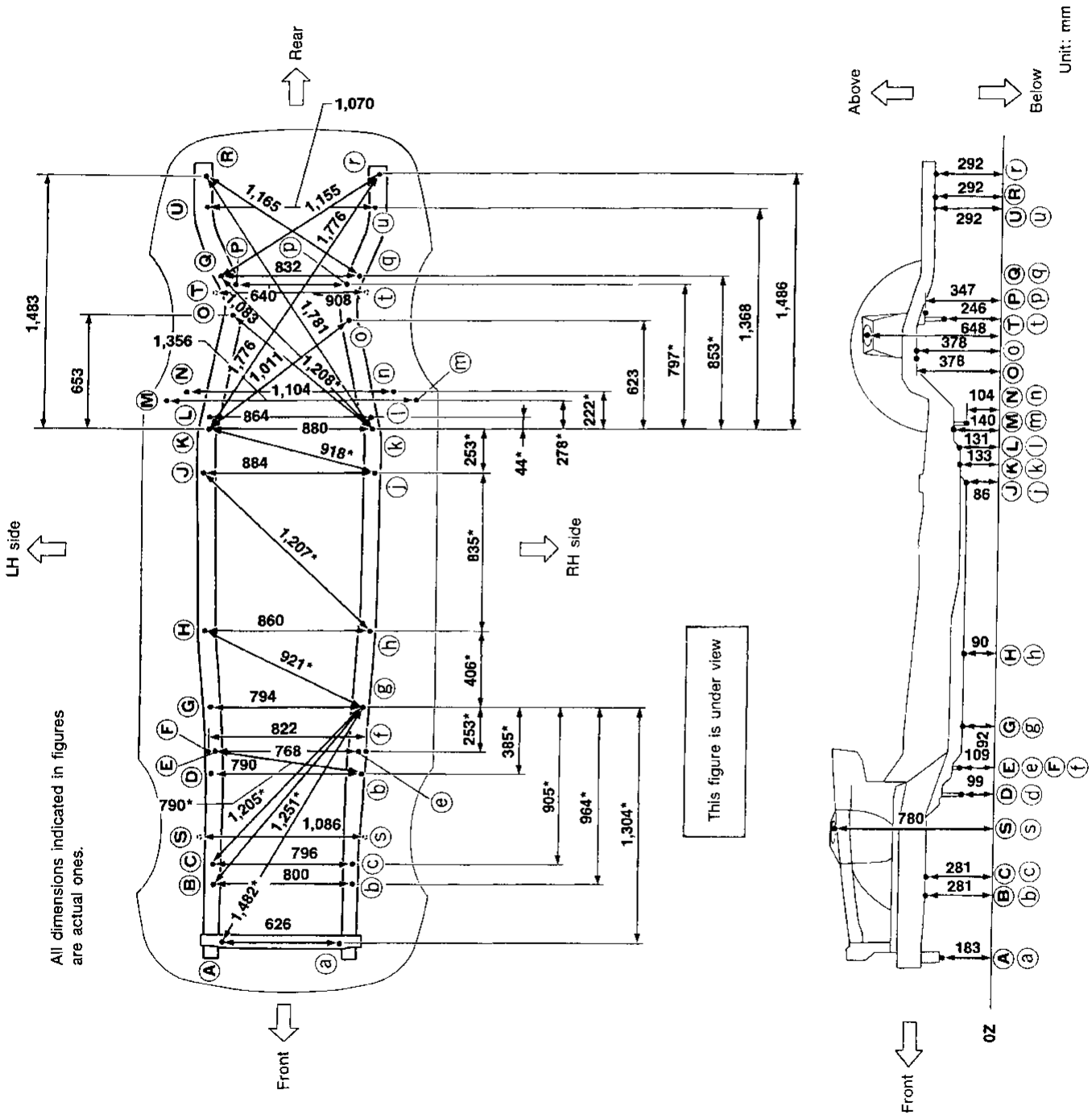


GI
MA
EM
LC
EC
FE
AT
PD
FA
RA
BR
ST
RS
BT
HA
EL
IDX

BODY ALIGNMENT

Underbody

MEASUREMENT



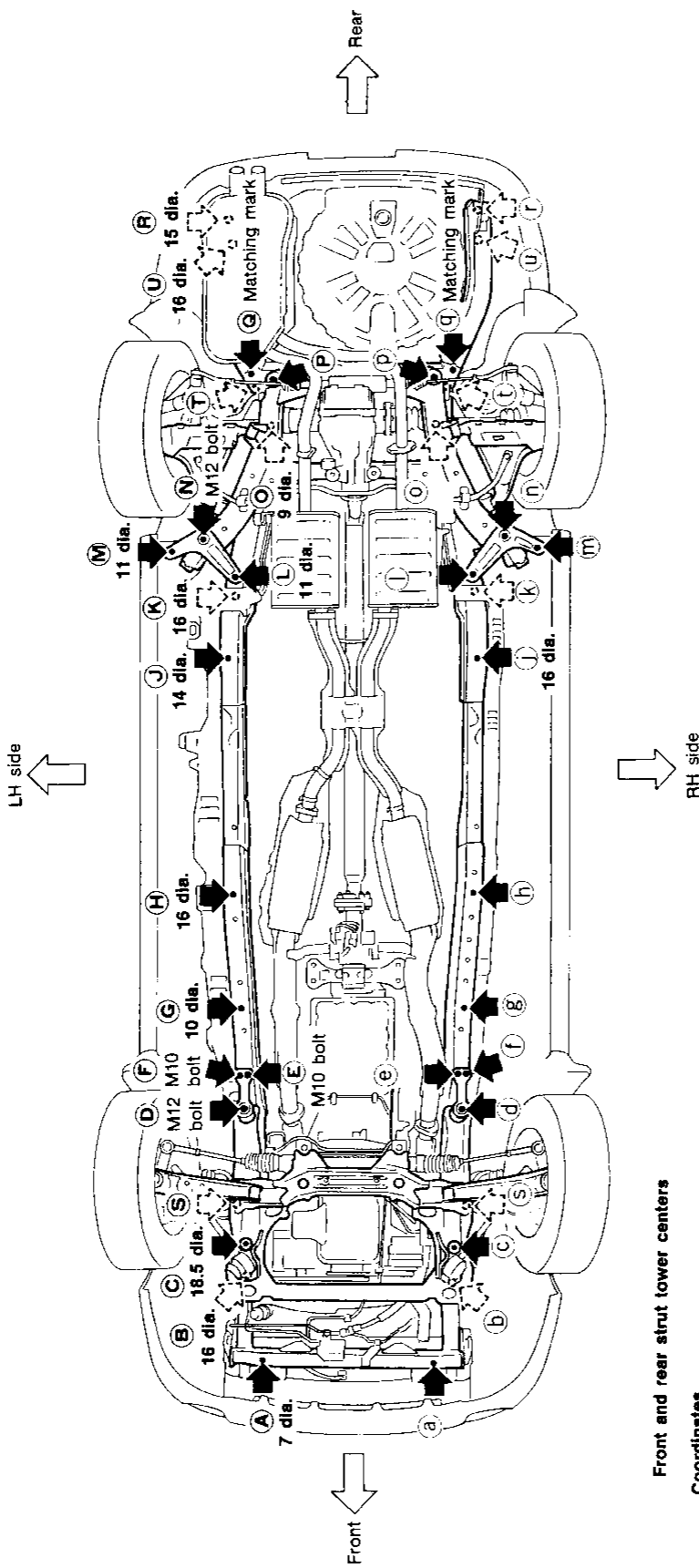
BODY ALIGNMENT

Underbody (Cont'd)

MEASUREMENT POINTS

Coordinates:

(A), (a)	X: 313	Y: -643	Z: 183	(L), (l)	X: 432	Y: 2,188	Z: 131	(O)	X: 361	Y: 2,712	Z: 378	(R)	X: 553	Y: 3,615	Z: 292
(B), (b)	X: 400	Y: -290	Z: 281	(M), (m)	X: 678	Y: 2,288	Z: 140	(P), (p)	X: 320	Y: 2,925	Z: 246	(U), (u)	X: 535	Y: 3,500	Z: 292
(C), (c)	X: 398	Y: -230	Z: 281	(N), (n)	X: 552	Y: 2,335	Z: 104	(Q), (q)	X: 416	Y: 2,970	Z: 347	(T)	X: 538	Y: 3,619	Z: 292
(D), (d)	X: 395	Y: 270	Z: 99	(K), (k)	X: 440	Y: 2,145	Z: 133	(S)	X: 397	Y: 1,895	Z: 86	(G), (g)	X: 416	Y: 2,970	Z: 347
(E), (e)	X: 384	Y: 403	Z: 109	(H), (h)	X: 430	Y: 1,060	Z: 90	(J), (j)	X: 442	Y: 1,895	Z: 86	(I), (i)	X: 397	Y: 1,895	Z: 86
(F), (f)	X: 411	Y: 403	Z: 109	(G), (g)	X: 397	Y: 655	Z: 92	(M), (m)	X: 424	Y: 2,750	Z: 378	(N), (n)	X: 552	Y: 2,335	Z: 104
(H), (h)	X: 430	Y: 1,060	Z: 90	(J), (j)	X: 442	Y: 1,895	Z: 86	(K), (k)	X: 440	Y: 2,145	Z: 133	(L), (l)	X: 432	Y: 2,188	Z: 131



Front and rear strut lower centers

Coordinates

(S), (s)	X: 543	Y: 72	Z: 780
(T), (t)	X: 454	Y: 2,837	Z: 648

Front: (S), (s) 105 dia.
Rear: (T), (t) 80 dia.

Unit: mm

- GI
- MA
- EM
- LC
- EC
- FE
- AT
- PD
- FA
- RA
- BR
- ST
- RS
- BT**
- HA
- EL
- IDX