

SECTION **EX** EX  
EXHAUST SYSTEM

CONTENTS

<b>PRECAUTION</b> .....	2	<b>PERIODIC MAINTENANCE</b> .....	4	F
<b>PRECAUTIONS</b> .....	2	<b>EXHAUST SYSTEM</b> .....	4	
Precaution for Supplemental Restraint System (SRS) "AIR BAG" and "SEAT BELT PRE-TENSIONER" .....	2	Checking Exhaust System .....	4	G
<b>PREPARATION</b> .....	3	<b>REMOVAL AND INSTALLATION</b> .....	5	
<b>PREPARATION</b> .....	3	<b>EXHAUST SYSTEM</b> .....	5	H
Commercial Service Tool .....	3	Exploded View .....	5	
		Removal and Installation .....	5	I
				J
				K
				L
				M
				N
				O
				P

# PRECAUTIONS

< PRECAUTION >

## PRECAUTION

### PRECAUTIONS

#### Precaution for Supplemental Restraint System (SRS) "AIR BAG" and "SEAT BELT PRE-TENSIONER"

INFOID:000000008487436

The Supplemental Restraint System such as "AIR BAG" and "SEAT BELT PRE-TENSIONER", used along with a front seat belt, helps to reduce the risk or severity of injury to the driver and front passenger for certain types of collision. This system includes dual stage front air bag modules. The SRS system may only deploy one front air bag, depending on the severity of a collision and whether the front passenger seat is occupied. Information necessary to service the system safely is included in the SR and SB section of this Service Manual.

**WARNING:**

- To avoid rendering the SRS inoperative, which could increase the risk of personal injury or death in the event of a collision which would result in air bag inflation, all maintenance must be performed by an authorized NISSAN/INFINITI dealer.
- Improper maintenance, including incorrect removal and installation of the SRS, can lead to personal injury caused by unintentional activation of the system. For removal of Spiral Cable and Air Bag Module, see the SR section.
- Do not use electrical test equipment on any circuit related to the SRS unless instructed to in this Service Manual. SRS wiring harnesses can be identified by yellow and/or orange harnesses or harness connectors.

#### PRECAUTIONS WHEN USING POWER TOOLS (AIR OR ELECTRIC) AND HAMMERS

**WARNING:**

- When working near the Airbag Diagnosis Sensor Unit or other Airbag System sensors with the Ignition ON or engine running, DO NOT use air or electric power tools or strike near the sensor(s) with a hammer. Heavy vibration could activate the sensor(s) and deploy the air bag(s), possibly causing serious injury.
- When using air or electric power tools or hammers, always switch the Ignition OFF, disconnect the battery, and wait at least 3 minutes before performing any service.

# PREPARATION

< PREPARATION >

## PREPARATION


### PREPARATION

#### Commercial Service Tool

INFOID:000000007882948

A

EX

Tool name	Description
Power tool  PIIB1407E	Loosening nuts, screws, and bolts

C

D

E

F

G

H

I

J

K

L

M

N

O

P

# EXHAUST SYSTEM

< PERIODIC MAINTENANCE >

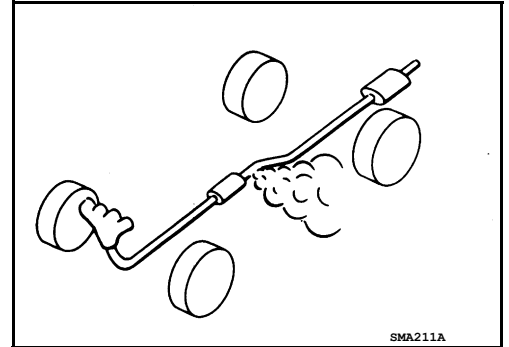
## PERIODIC MAINTENANCE

### EXHAUST SYSTEM

#### Checking Exhaust System

INFOID:000000007882949

Check exhaust pipes, muffler and mounting for improper attachment, leaks, cracks, damage or deterioration. Repair or replace as necessary.



# EXHAUST SYSTEM

< REMOVAL AND INSTALLATION >

## REMOVAL AND INSTALLATION

### EXHAUST SYSTEM

Exploded View

INFOID:000000007882950

A

EX

C

D

E

F

G

H

I

J

K

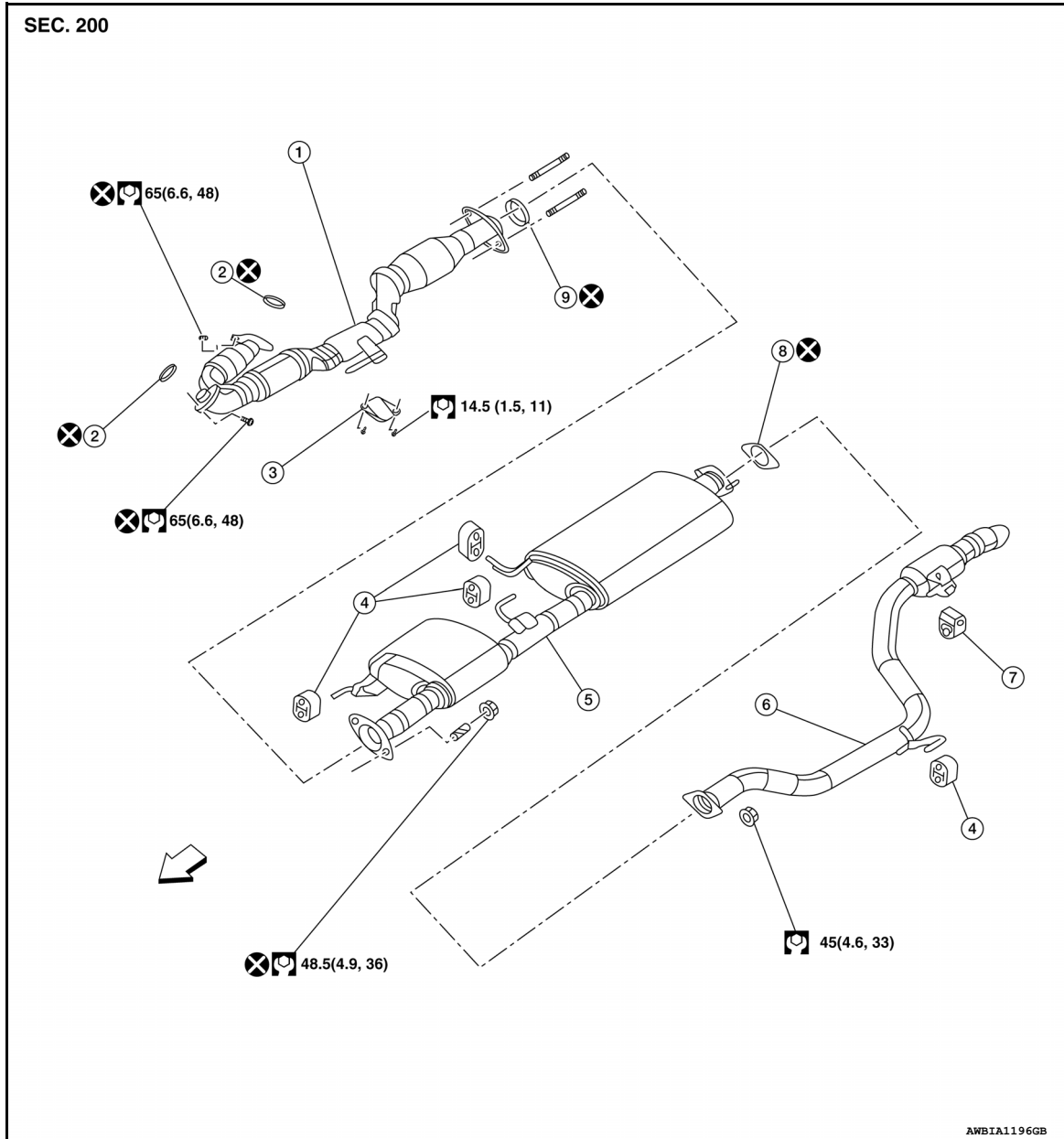
L

M

N

O

P



- |                                      |                        |                               |
|--------------------------------------|------------------------|-------------------------------|
| 1. Front exhaust tube                | 2. Ring gasket         | 3. Front exhaust tube bracket |
| 4. Center exhaust tube rubber hanger | 5. Center exhaust tube | 6. Rear exhaust tube          |
| 7. Rear exhaust tube rubber hanger   | 8. Gasket              | 9. Seal bearing               |

↔ Front

### Removal and Installation

INFOID:000000007882951

#### WARNING:

- Perform the procedures with the exhaust system fully cooled down to avoid injury from the hot exhaust system.

# EXHAUST SYSTEM

## < REMOVAL AND INSTALLATION >

- Be careful not to cut your hand on the insulator edge.

### CAUTION:

Use genuine NISSAN exhaust system parts or equivalent, which are specifically designed for heat resistance, corrosion resistance, and shape.

### REMOVAL

Remove exhaust system components using power tool.

### INSTALLATION

Installation is in the reverse order of removal.

#### Exhaust Manifold to Exhaust Front Tube

- Install the seal bearing (2) into the front exhaust tube (1).
- When installing the spring (3) and nut (4), ensure the following:
  - Make sure the spring (3) sits properly on the flange surface by aligning it to the locator dimples (A).
  - Make sure the stud (5) does not contact the inside of the flange bolt hole.

### CAUTION:

Be careful not to damage seal bearing surface when installing.

- Compact spring by tightening nut.

### CAUTION:

- Ensure springs are seated correctly on the flange and not sitting on locator dimples (A).
- Assemble the seal bearing so that the nut is located in the center of the flare flange hole without contact with the flange.

### CAUTION:

- Always replace exhaust gaskets with new ones when reassembling.
- If any insulator is badly deformed, repair or replace it. If deposits such as mud pile up on the insulator, clean and inspect them.
- Temporarily tighten the nuts on the exhaust manifold side and the bolts on the vehicle side. Check each part for interference with other components, and then tighten the nuts and bolts to specification.

### INSPECTION AFTER INSTALLATION

- With the engine running, check the exhaust tube joints for exhaust gas leaks and unusual noises.
- Check that the mounting brackets and mounting insulators are installed properly and free from excessive stress. Improper installation could result in excessive noise, leaks, and vibration.

