

SECTION **HRN**  
HORN

A  
B  
C  
D  
E  
F  
G  
H  
I  
J  
K  
M  
N  
O  
P

CONTENTS

<b>PRECAUTION</b> .....	2	Wiring Diagram .....	3
<b>PRECAUTIONS</b> .....	2	<b>REMOVAL AND INSTALLATION</b> .....	7
Precaution for Supplemental Restraint System (SRS) "AIR BAG" and "SEAT BELT PRE-TEN- SIONER" .....	2	<b>HORN</b> .....	7
<b>WIRING DIAGRAM</b> .....	3	Exploded View .....	7
<b>HORN</b> .....	3	Removal and Installation .....	7
		<b>VEHICLE SECURITY HORN</b> .....	8
		Removal and Installation - Anti-Theft .....	8

HRN

# PRECAUTIONS

< PRECAUTION >

## PRECAUTION

### PRECAUTIONS

#### Precaution for Supplemental Restraint System (SRS) "AIR BAG" and "SEAT BELT PRE-TENSIONER"

INFOID:000000008487424

The Supplemental Restraint System such as "AIR BAG" and "SEAT BELT PRE-TENSIONER", used along with a front seat belt, helps to reduce the risk or severity of injury to the driver and front passenger for certain types of collision. This system includes dual stage front air bag modules. The SRS system may only deploy one front air bag, depending on the severity of a collision and whether the front passenger seat is occupied. Information necessary to service the system safely is included in the SR and SB section of this Service Manual.

#### **WARNING:**

- To avoid rendering the SRS inoperative, which could increase the risk of personal injury or death in the event of a collision which would result in air bag inflation, all maintenance must be performed by an authorized NISSAN/INFINITI dealer.
- Improper maintenance, including incorrect removal and installation of the SRS, can lead to personal injury caused by unintentional activation of the system. For removal of Spiral Cable and Air Bag Module, see the SR section.
- Do not use electrical test equipment on any circuit related to the SRS unless instructed to in this Service Manual. SRS wiring harnesses can be identified by yellow and/or orange harnesses or harness connectors.

#### PRECAUTIONS WHEN USING POWER TOOLS (AIR OR ELECTRIC) AND HAMMERS

#### **WARNING:**

- When working near the Airbag Diagnosis Sensor Unit or other Airbag System sensors with the Ignition ON or engine running, DO NOT use air or electric power tools or strike near the sensor(s) with a hammer. Heavy vibration could activate the sensor(s) and deploy the air bag(s), possibly causing serious injury.
- When using air or electric power tools or hammers, always switch the Ignition OFF, disconnect the battery, and wait at least 3 minutes before performing any service.

# HORN

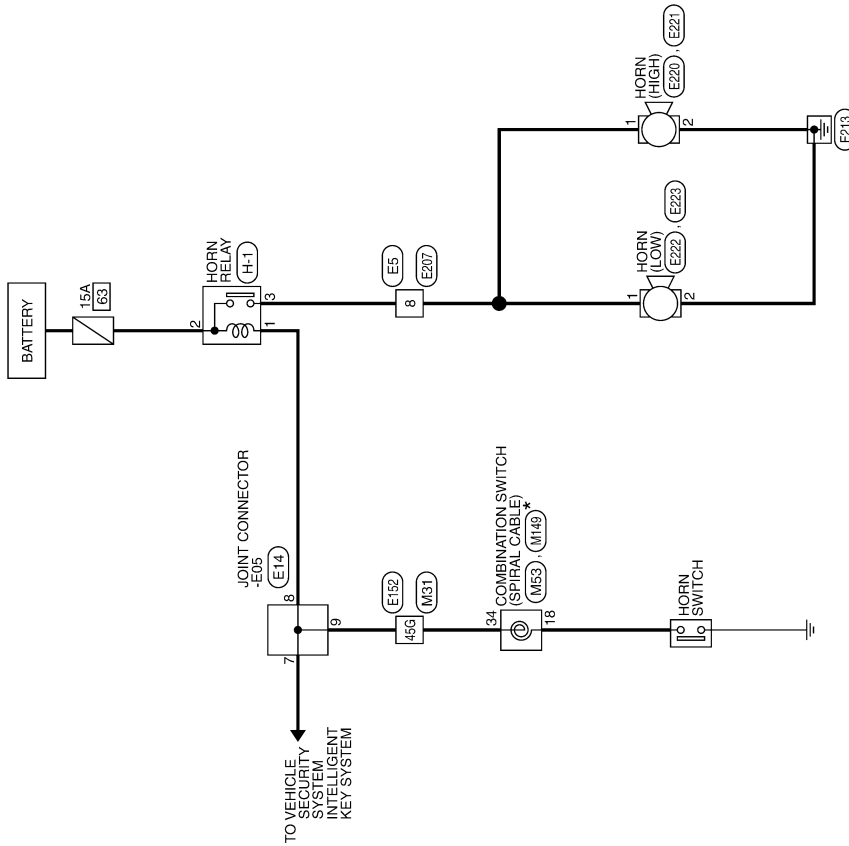
< WIRING DIAGRAM >

## WIRING DIAGRAM

### HORN

#### Wiring Diagram

INFOID:000000007914572



\* : THIS CONNECTOR IS NOT SHOWN IN "HARNES LAYOUT" OF PG SECTION.

HORN

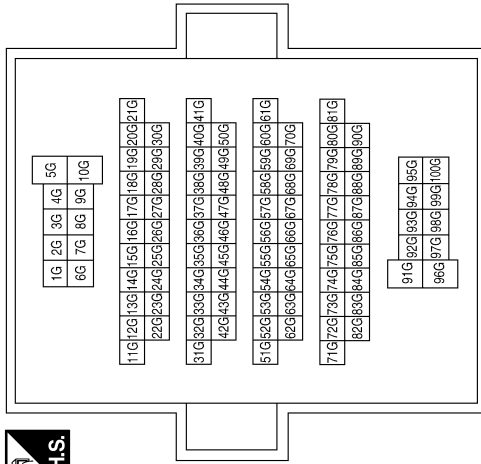
ABLWA1681GB

A  
B  
C  
D  
E  
F  
G  
H  
I  
J  
K  
L  
M  
N  
O  
P

HRN

## HORN CONNECTORS

Connector No.	M31
Connector Name	WIRE TO WIRE
Connector Color	WHITE



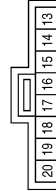
Terminal No.	Color of Wire	Signal Name
45G	R	-

Connector No.	M53
Connector Name	COMBINATION SWITCH
Connector Color	YELLOW



Terminal No.	Color of Wire	Signal Name
34	R	-

Connector No.	M149
Connector Name	COMBINATION SWITCH (SPIRAL CABLE)
Connector Color	GRAY



Connector No.	E5
Connector Name	WIRE TO WIRE
Connector Color	WHITE



Terminal No.	Color of Wire	Signal Name
18	G	-

Connector No.	E14
Connector Name	JOINT CONNECTOR-E05
Connector Color	BLACK



Terminal No.	Color of Wire	Signal Name
7	Y	-
8	Y	-
9	Y	-

# HORN

< WIRING DIAGRAM >

Connector No.	E207
Connector Name	WIRE TO WIRE
Connector Color	WHITE

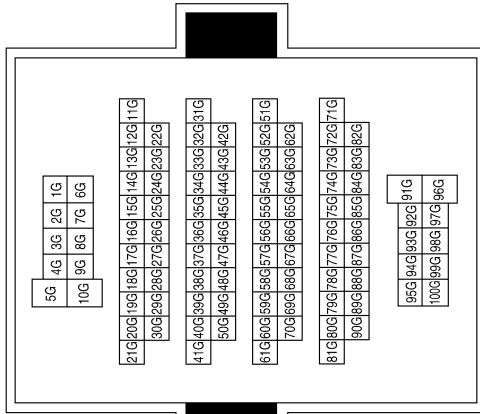


7	6	5	4	3	2	1
16	15	14	13	12	11	10
9	8					

Terminal No.	Color of Wire	Signal Name
8	G	-

Terminal No.	Color of Wire	Signal Name
45G	Y	-

Connector No.	E152
Connector Name	WIRE TO WIRE
Connector Color	WHITE



Connector No.	E222
Connector Name	HORN (LOW)
Connector Color	BLACK



1
---

Terminal No.	Color of Wire	Signal Name
1	G	-

Connector No.	E221
Connector Name	HORN (HIGH)
Connector Color	BLACK



2
---

Terminal No.	Color of Wire	Signal Name
2	B	-

Connector No.	E220
Connector Name	HORN (HIGH)
Connector Color	BLACK



1
---

Terminal No.	Color of Wire	Signal Name
1	G	-

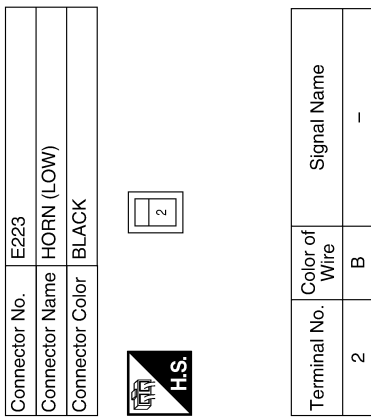
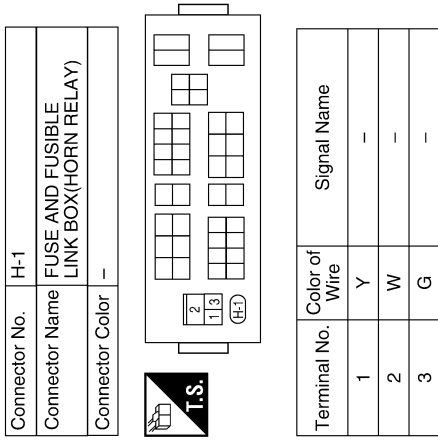
ABLI1A3484GB

A  
B  
C  
D  
E  
F  
G  
H  
I  
J  
K  
L  
M  
N  
O  
P

HRN

# HORN

## < WIRING DIAGRAM >



ABLIA3635GB

# HORN

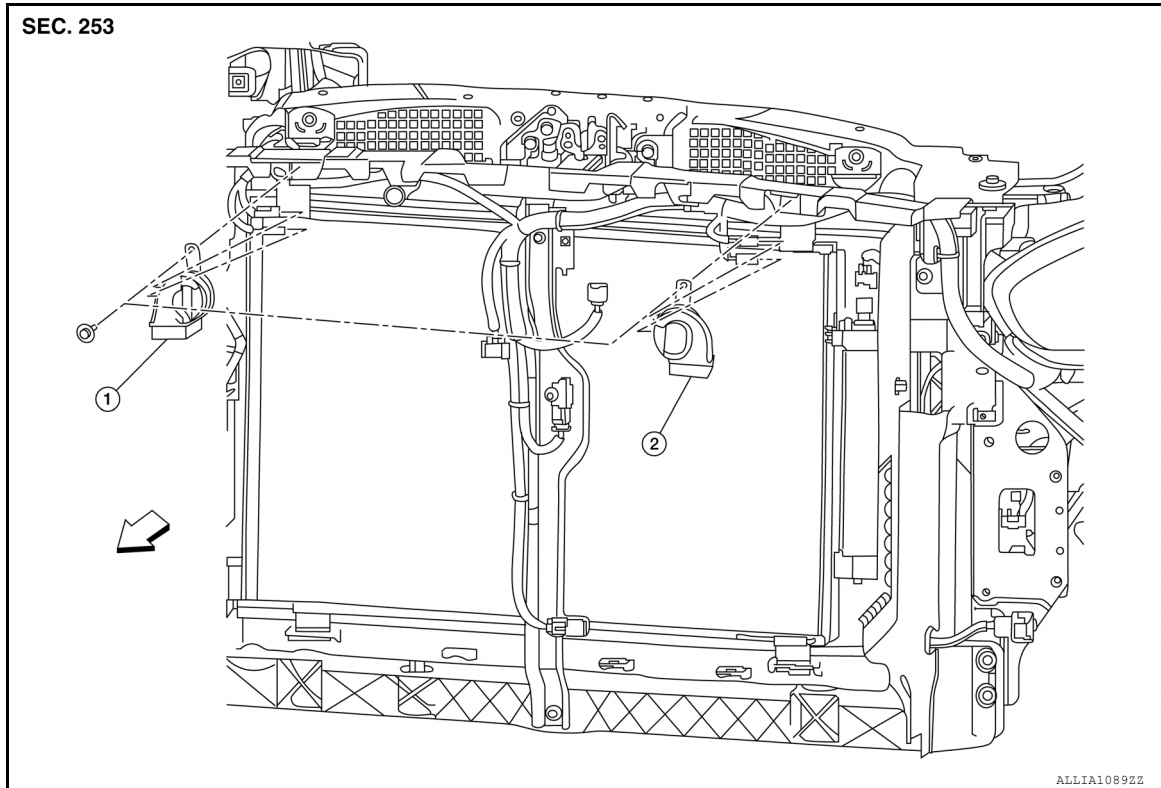
< REMOVAL AND INSTALLATION >

## REMOVAL AND INSTALLATION

### HORN

Exploded View

INFOID:000000007914573



1. Horn (HIGH)

2. Horn (LOW)

← Front

### Removal and Installation

INFOID:000000007914574

#### REMOVAL

1. Remove the front bumper fascia. Refer to [EXT-17, "Removal and Installation"](#).
2. Disconnect the wiring harness connectors from the horns (LOW, HIGH).  
Note the wiring harness connector locations prior to removal.
3. Remove the horn bolts and the horns (LOW, HIGH).

#### INSTALLATION

Installation is in the reverse order of removal.

- Install the wiring harness connectors in the proper locations.

A  
B  
C  
D  
E  
F  
G  
H  
I  
J  
K  
M  
N  
O  
P

HRN

# VEHICLE SECURITY HORN

< REMOVAL AND INSTALLATION >

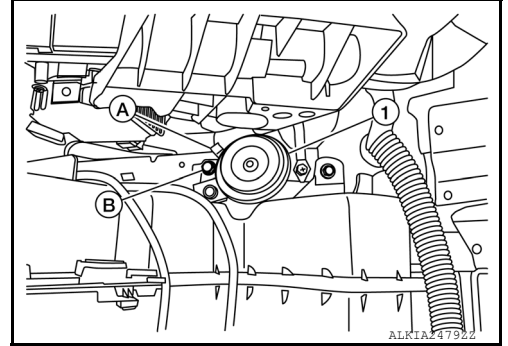
## VEHICLE SECURITY HORN

### Removal and Installation - Anti-Theft

INFOID:000000008471267

#### REMOVAL

1. Remove the front combination lamp. Refer to [EXT-17, "Removal and Installation"](#).
2. Disconnect the harness connector (A) from anti-theft horn (1).
3. Remove the anti-theft horn bolt (B) and anti-theft horn (1).



#### INSTALLATION

Installation is in the reverse order of removal.