

SECTION VTL
VENTILATION SYSTEM

A
B
C
D
E
F
G
H
J
K
L
M
N
O
P

CONTENTS

PRECAUTION	3	FRONT FLOOR DUCT : Removal and Installation	
PRECAUTIONS	3	- Front Floor Connecting Duct	10
Precaution for Supplemental Restraint System (SRS) "AIR BAG" and "SEAT BELT PRE-TENSIONER"	3	FRONT FLOOR DUCT : Removal and Installation	
Precaution for Work	3	- Front Floor Duct	10
PREPARATION	4	ADAPTOR DUCT	11
PREPARATION	4	ADAPTOR DUCT : Removal and Installation	11
Special Service Tool	4	Exploded View	11
Commercial Service Tool	4	REAR CENTER VENTILATOR DUCT	11
PERIODIC MAINTENANCE	5	REAR CENTER VENTILATOR DUCT : Removal and Installation	11
IN-CABIN MICROFILTER	5	CENTER FLOOR DUCT	12
Removal and Installation	5	CENTER FLOOR DUCT : Removal and Installation - Center Floor Connecting Duct	12
SYSTEM DESCRIPTION	6	CENTER FLOOR DUCT : Removal and Installation - Center Floor Duct	12
VENTILATION SYSTEM	6	Exploded View	12
System Description	6	REAR VENTILATOR DUCT UPPER	13
REMOVAL AND INSTALLATION	9	REAR VENTILATOR DUCT UPPER : Removal and Installation	13
DUCTS AND GRILLES	9	REAR VENTILATOR DUCT LOWER	13
Exploded View	9	REAR VENTILATOR DUCT LOWER : Removal and Installation	13
DEFROSTER NOZZLE	10	REAR VENTILATOR DUCT 1	13
DEFROSTER NOZZLE : Removal and Installation	10	REAR VENTILATOR DUCT 1 : Removal and Installation	14
CENTER VENTILATOR DUCT	10	REAR VENTILATOR DUCT 2	14
CENTER VENTILATOR DUCT : Removal and Installation	10	REAR VENTILATOR DUCT 2 : Removal and Installation	14
SIDE DEFROSTER DUCT	10	REAR VENTILATOR DUCT 3	14
SIDE DEFROSTER DUCT : Removal and Installation	10	REAR VENTILATOR DUCT 3 : Removal and Installation	14
FRONT FLOOR DUCT	10	Exploded View	15
		CENTER VENTILATOR GRILLE	15

VTL

CENTER VENTILATOR GRILLE : Removal and Installation	15	FRONT BLOWER UNIT	18
SIDE VENTILATOR GRILLE	16	FRONT BLOWER UNIT : Removal and Installation	19
SIDE VENTILATOR GRILLE : Removal and Installation	16	FRONT BLOWER MOTOR	19
SIDE DEFROSTER GRILLE	16	FRONT BLOWER MOTOR : Removal and Installation	19
SIDE DEFROSTER GRILLE : Removal and Installation	16	CENTER BLOWER UNIT	19
REAR CENTER VENTILATOR GRILLE	16	CENTER BLOWER UNIT : Removal and Installation	19
REAR CENTER VENTILATOR GRILLE : Removal and Installation	16	CENTER BLOWER MOTOR	20
REAR VENTILATOR GRILLE	17	CENTER BLOWER MOTOR : Removal and Installation	20
REAR VENTILATOR GRILLE : Removal and Installation	17	REAR BLOWER MOTOR	20
BLOWER UNIT	18	REAR BLOWER MOTOR : Removal and Installation	21
Exploded View	18		

PRECAUTIONS

< PRECAUTION >

PRECAUTION

PRECAUTIONS

Precaution for Supplemental Restraint System (SRS) "AIR BAG" and "SEAT BELT PRE-TENSIONER"

INFOID:000000008487428

The Supplemental Restraint System such as "AIR BAG" and "SEAT BELT PRE-TENSIONER", used along with a front seat belt, helps to reduce the risk or severity of injury to the driver and front passenger for certain types of collision. This system includes dual stage front air bag modules. The SRS system may only deploy one front air bag, depending on the severity of a collision and whether the front passenger seat is occupied. Information necessary to service the system safely is included in the SR and SB section of this Service Manual.

WARNING:

- To avoid rendering the SRS inoperative, which could increase the risk of personal injury or death in the event of a collision which would result in air bag inflation, all maintenance must be performed by an authorized NISSAN/INFINITI dealer.
- Improper maintenance, including incorrect removal and installation of the SRS, can lead to personal injury caused by unintentional activation of the system. For removal of Spiral Cable and Air Bag Module, see the SR section.
- Do not use electrical test equipment on any circuit related to the SRS unless instructed to in this Service Manual. SRS wiring harnesses can be identified by yellow and/or orange harnesses or harness connectors.

PRECAUTIONS WHEN USING POWER TOOLS (AIR OR ELECTRIC) AND HAMMERS

WARNING:

- When working near the Airbag Diagnosis Sensor Unit or other Airbag System sensors with the Ignition ON or engine running, DO NOT use air or electric power tools or strike near the sensor(s) with a hammer. Heavy vibration could activate the sensor(s) and deploy the air bag(s), possibly causing serious injury.
- When using air or electric power tools or hammers, always switch the Ignition OFF, disconnect the battery, and wait at least 3 minutes before performing any service.

Precaution for Work

INFOID:000000008166360

- When removing or disassembling each component, be careful not to damage or deform it. If a component may be subject to interference, be sure to protect it with a shop cloth.
- When removing (disengaging) components with a screwdriver or similar tool, be sure to wrap the component with a shop cloth or vinyl tape to protect it.
- Protect the removed parts with a shop cloth and prevent them from being dropped.
- Replace a deformed or damaged clip.
- If a part is specified as a non-reusable part, always replace it with a new one.
- Be sure to tighten bolts and nuts securely to the specified torque.
- After installation is complete, be sure to check that each part works properly.
- Follow the steps below to clean components.
 - Water soluble dirt: Dip a soft cloth into lukewarm water, and wring the water out of the cloth to wipe the dirty area.
Then rub with a soft and dry cloth.
 - Oily dirt: Dip a soft cloth into lukewarm water with mild detergent (concentration: within 2 to 3%), and wipe the dirty area.
Then dip a cloth into fresh water, and wring the water out of the cloth to wipe the detergent off. Then rub with a soft and dry cloth.
- Do not use organic solvent such as thinner, benzene, alcohol, or gasoline.
- For genuine leather seats, use a genuine leather seat cleaner.

PREPARATION

< PREPARATION >

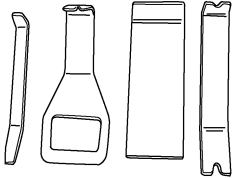
PREPARATION

PREPARATION

Special Service Tool

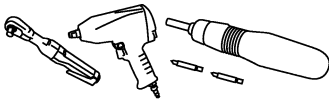
INFOID:000000008166361

The actual shapes of Kent-Moore tools may differ from those of special service tools illustrated here.

Tool number (Kent-Moore No.) Tool name	Description
— (J-46534) Trim Tool Set  AWJIA04832Z	Removing trim components

Commercial Service Tool

INFOID:000000008166362

(Kent-Moore No.) Tool name	Description
(—) Power tool  PIIB1407E	Loosening nuts, screws and bolts

IN-CABIN MICROFILTER

< PERIODIC MAINTENANCE >

PERIODIC MAINTENANCE

IN-CABIN MICROFILTER

Removal and Installation

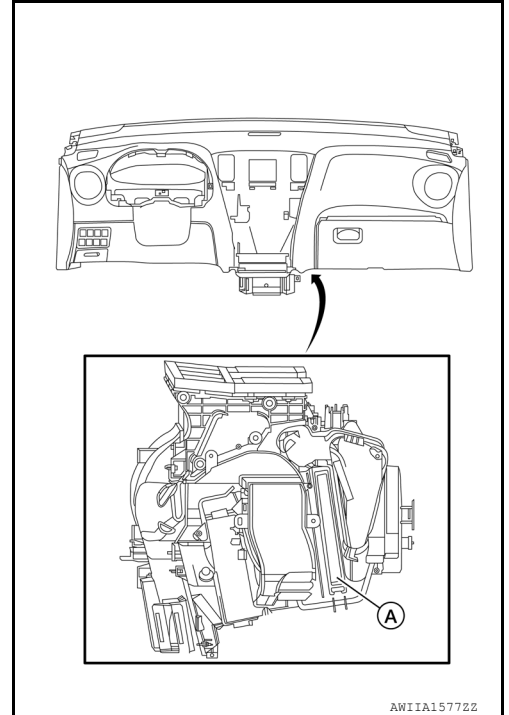
INFOID:000000007884210

REMOVAL

1. Release the in-cabin microfilter cover tab (A) and remove the cover from under the RH side of the instrument panel.

CAUTION:

Use care when lifting up on the tab to avoid damaging it.



2. Remove the in-cabin microfilter.

CAUTION:

If the filter is deformed/damaged when removing, replace it with a new one. A deformed or damaged filter may affect the dust collecting performance.

INSTALLATION

Installation is in the reverse order of removal.

CAUTION:

When installing, handle the filter with extreme care to avoid deforming or damaging the filter.

NOTE:

The in-cabin microfilter is marked with an air flow arrow. The end of the microfilter with the arrow should face the passenger side of the vehicle. The arrow should point towards the rear of the vehicle.

A
B
C
D
E
F
G
H
VTL
J
K
L
M
N
O
P

VENTILATION SYSTEM

< SYSTEM DESCRIPTION >

SYSTEM DESCRIPTION

VENTILATION SYSTEM

System Description

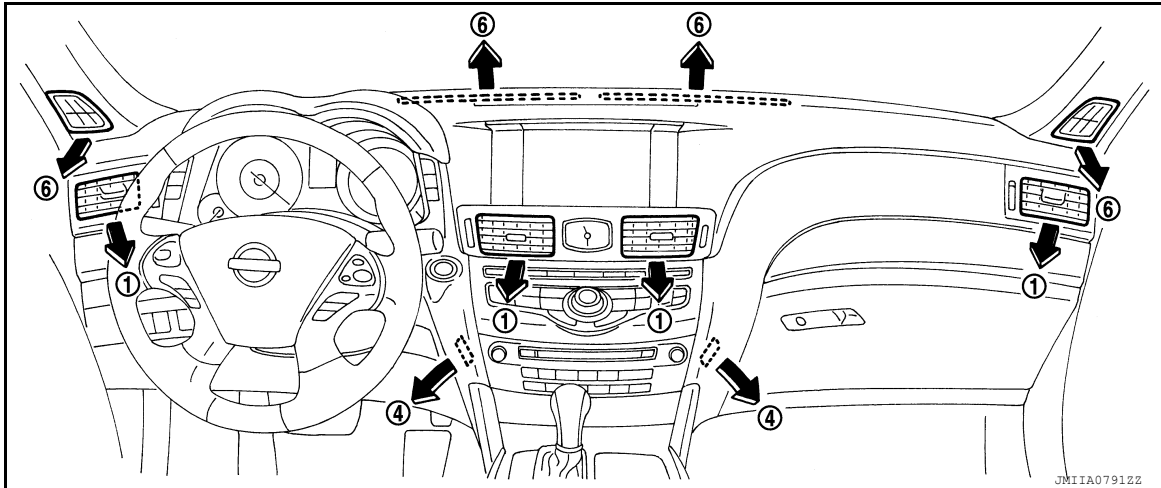
INFOID:000000007884190

OUTLINE

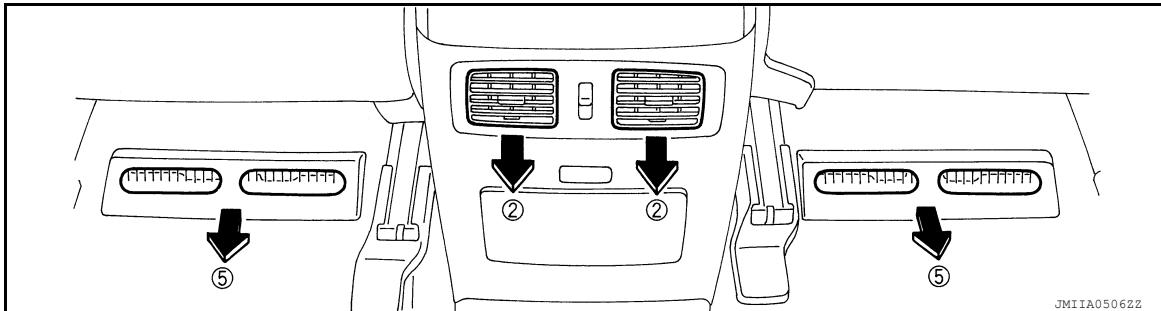
Ventilation system is controlled by A/C auto amp. For details of automatic air conditioner system, refer to [AV-76, "CONFIGURATION \(AV CONTROL UNIT\) : Description"](#).

AIR FLOW

Front



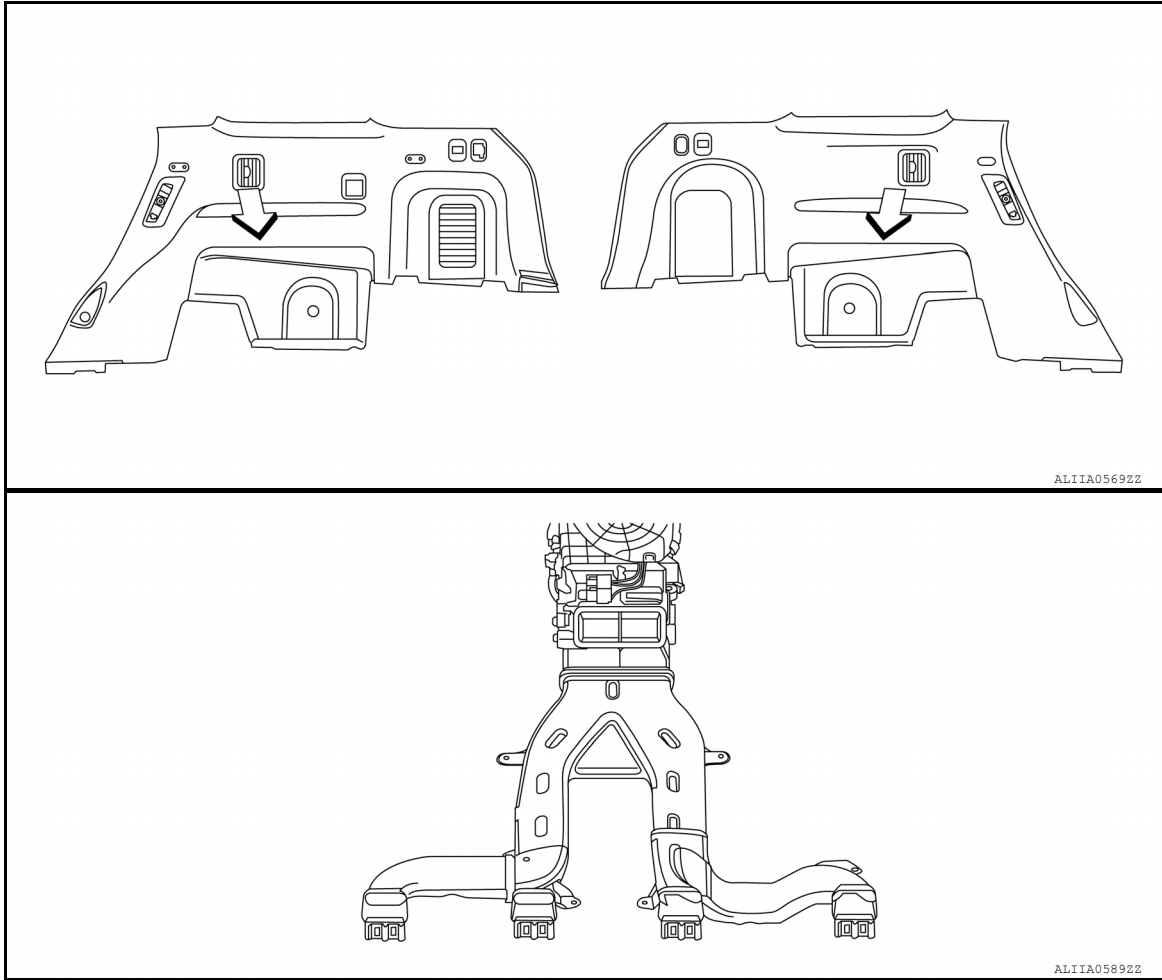
Center



VENTILATION SYSTEM

< SYSTEM DESCRIPTION >

Rear



A
B
C
D
E
F
G
H
J
K
L
M
N
O
P

VTL

Front Air Control

Discharge air flow




Mode position	Condition			Air outlet / distribution						
				VENT				FOOT		DEF (6)
				Front		Center (3)	Rear (2)	Front (4)	Center (5)	
				Center (1)	Side (1)					
	Upper Vent: ON	Temperature control switch (Driver side)	18°C (60°F)	×	×	—	—	—	—	—
			Other than 18°C (60°F)*1	×	×	—	—	—	—	—
	• DUAL: OFF • Rear ventilator: Close	—	×	×	—	—	×	—	—	
		—	—	×	—	—	×	—	×	
		—	—	×	—	—	×	—	×	
		—	—	×	—	—	—	—	×	
		—	—	×	—	—	—	—	×	
	—	—	—	—	×	—	—	—	×	

VENTILATION SYSTEM

< SYSTEM DESCRIPTION >

Rear Air Control

Discharge air flow

Mode position	Condition			Air outlet / distribution							
				VENT				FOOT			
				Front		Center (3)	Rear (2)	Front (4)	Center (5)	Rear (2)	
				Center (1)	Side (1)						
	<ul style="list-style-type: none"> • DUAL: OFF • Rear ventilator: Close 	Upper Vent: ON	Temperature control switch (Driver side)	18°C (60°F)	—	—	×	×	—	—	—
				Other than 18°C (60°F)*1	—	—	×	×	—	—	—
			—	—	—	—	×	×	—	×	×
			—	—	—	—	—	—	—	×	×

- *1: Air blow is also supplied to front foot until passenger room temperature stabilizes when temperature setting is other than 18°C (60°F). At that time, air blowing is the same as 18°C (60°F) setting.
- *2: During automatic defogging control. (Forest air system)

DUCTS AND GRILLES

< REMOVAL AND INSTALLATION >

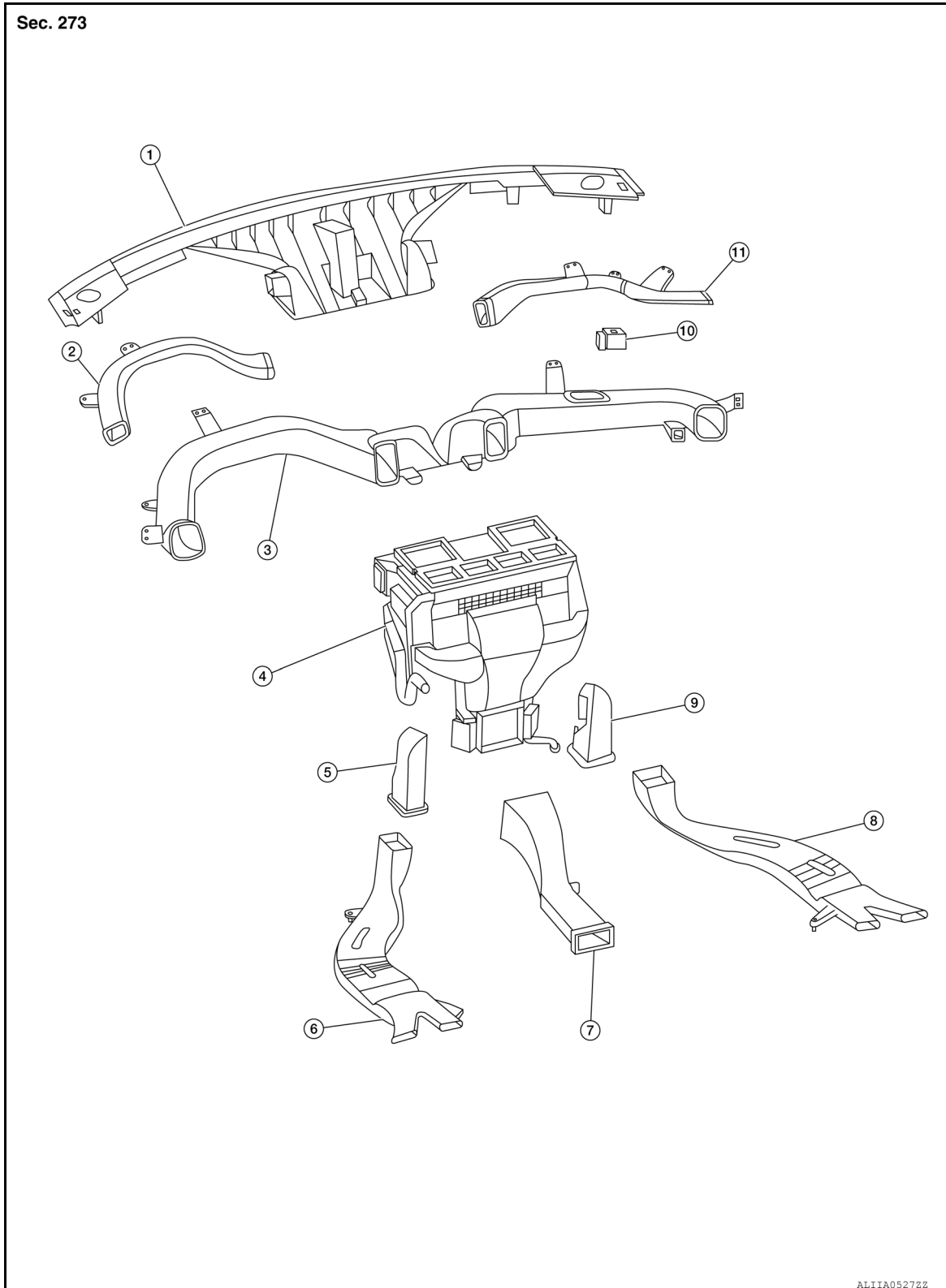
REMOVAL AND INSTALLATION

DUCTS AND GRILLES

Exploded View

INFOID:000000007884191

FRONT



A
B
C
D
E
F
G
H
VTL
J
K
L
M
N
O
P

DUCTS AND GRILLES

< REMOVAL AND INSTALLATION >

- | | | |
|--|-----------------------------------|-----------------------------------|
| 1. Defroster nozzle | 2. Side defroster duct LH | 3. Center ventilator duct |
| 4. Front heating and cooling unit assembly | 5. Front floor connecting duct LH | 6. Front floor duct LH |
| 7. Adaptor duct (to center blower unit) | 8. Front floor duct RH | 9. Front floor connecting duct RH |
| 10. Ionizer (if equipped) | 11. Side defroster duct RH | |

DEFROSTER NOZZLE

DEFROSTER NOZZLE : Removal and Installation

INFOID:000000007884200

REMOVAL

1. Remove the instrument panel assembly. Refer to [IP-15, "Removal and Installation"](#).
2. Disconnect the harness connector from the ionizer (if equipped).
3. Remove the defroster nozzle from the instrument panel assembly.

INSTALLATION

Installation is in the reverse order of removal.

CENTER VENTILATOR DUCT

CENTER VENTILATOR DUCT : Removal and Installation

INFOID:000000007884196

REMOVAL

1. Remove the instrument panel assembly. Refer to [IP-15, "Removal and Installation"](#).
2. Disconnect the harness connector from the ionizer (if equipped).
3. Remove the screws, and then remove the center ventilator duct.

INSTALLATION

Installation is in the reverse order of removal.

SIDE DEFROSTER DUCT

SIDE DEFROSTER DUCT : Removal and Installation

INFOID:000000007884198

REMOVAL

1. Remove the instrument panel assembly. Refer to [IP-15, "Removal and Installation"](#).
2. Disconnect the harness connector from the ionizer (if equipped).
3. Remove the screws from the side defroster duct (LH/RH).
4. Remove the side defroster duct (LH/RH).

INSTALLATION

Installation is in the reverse order of removal.

FRONT FLOOR DUCT

FRONT FLOOR DUCT : Removal and Installation - Front Floor Connecting Duct

INFOID:000000008166367

REMOVAL

1. Remove the center console side finisher (LH/RH). Refer to [IP-18, "Exploded View"](#).
2. Unclip the harness wiring from the front floor connecting duct (RH only).
3. Remove the front floor connecting duct (LH/RH).

INSTALLATION

Installation is in the reverse order of removal.

FRONT FLOOR DUCT : Removal and Installation - Front Floor Duct

INFOID:000000008166368

REMOVAL

DUCTS AND GRILLES

< REMOVAL AND INSTALLATION >

1. Remove front floor trim. Refer to [INT-22, "Removal and Installation"](#).
2. Remove the front floor duct screws.
3. Remove the front floor duct (LH/RH).

INSTALLATION

Installation is in the reverse order of removal.

ADAPTOR DUCT

ADAPTOR DUCT : Removal and Installation

INFOID:000000008179015

REMOVAL

1. Remove the center console assembly. Refer to [IP-18, "Removal and Installation"](#).
2. Release the adaptor duct clip.
3. Remove the center console bracket.
4. Remove the adaptor duct (to center blower unit).

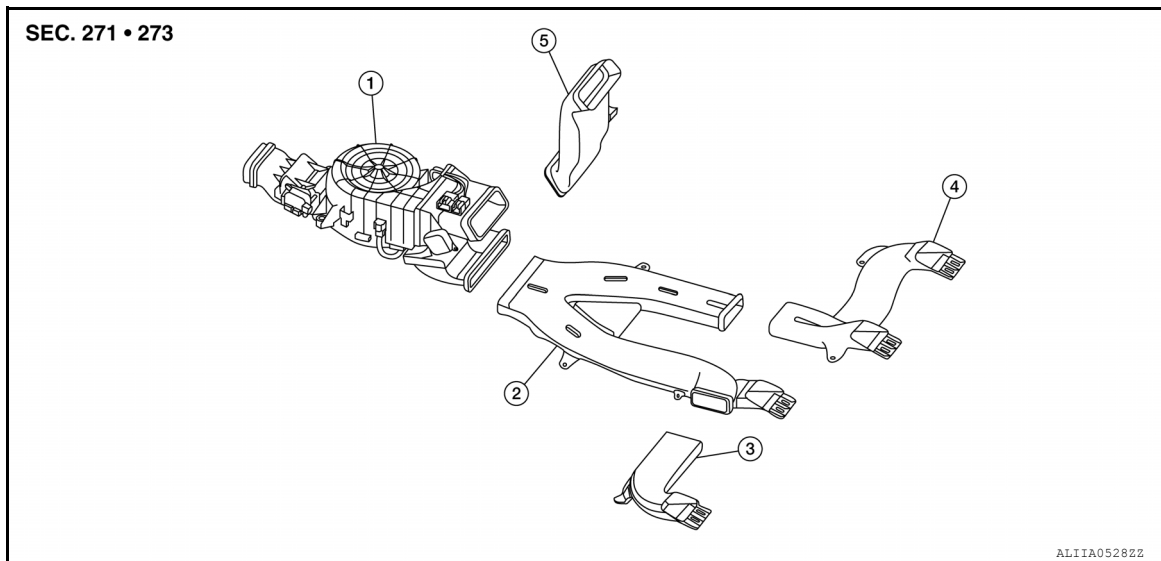
INSTALLATION

Installation is in the reverse order of removal.

Exploded View

INFOID:000000008166387

CENTER



1. Center blower unit
2. Center floor connecting duct
3. Center floor duct LH
4. Center floor duct RH
5. Rear center ventilator duct

REAR CENTER VENTILATOR DUCT

REAR CENTER VENTILATOR DUCT : Removal and Installation

INFOID:000000008166400

REMOVAL

1. Remove center console rear finisher. Refer to [IP-18, "Exploded View"](#).

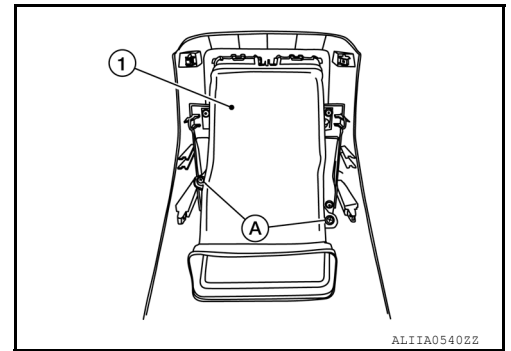
A
B
C
D
E
F
G
H
J
K
L
M
N
O
P

VTL

DUCTS AND GRILLES

< REMOVAL AND INSTALLATION >

2. Remove the two screws (A) from the rear center ventilator duct (1).



3. Remove the rear center ventilator duct.

INSTALLATION

Installation is in the reverse order of removal.

CENTER FLOOR DUCT

CENTER FLOOR DUCT : Removal and Installation - Center Floor Connecting Duct

INFOID:000000008166383

REMOVAL

1. Remove the rear floor trim. Refer to [INT-22, "Removal and Installation"](#).
2. Remove the center floor connecting duct screws.
3. Remove the center floor connecting duct.

INSTALLATION

Installation is in the reverse order of removal.

CENTER FLOOR DUCT : Removal and Installation - Center Floor Duct

INFOID:000000008166378

REMOVAL

1. Remove the rear floor trim. Refer to [INT-22, "Removal and Installation"](#).
2. Remove the center floor duct screws.
3. Remove the center floor duct (LH/RH).

INSTALLATION

Installation is in the reverse order of removal.

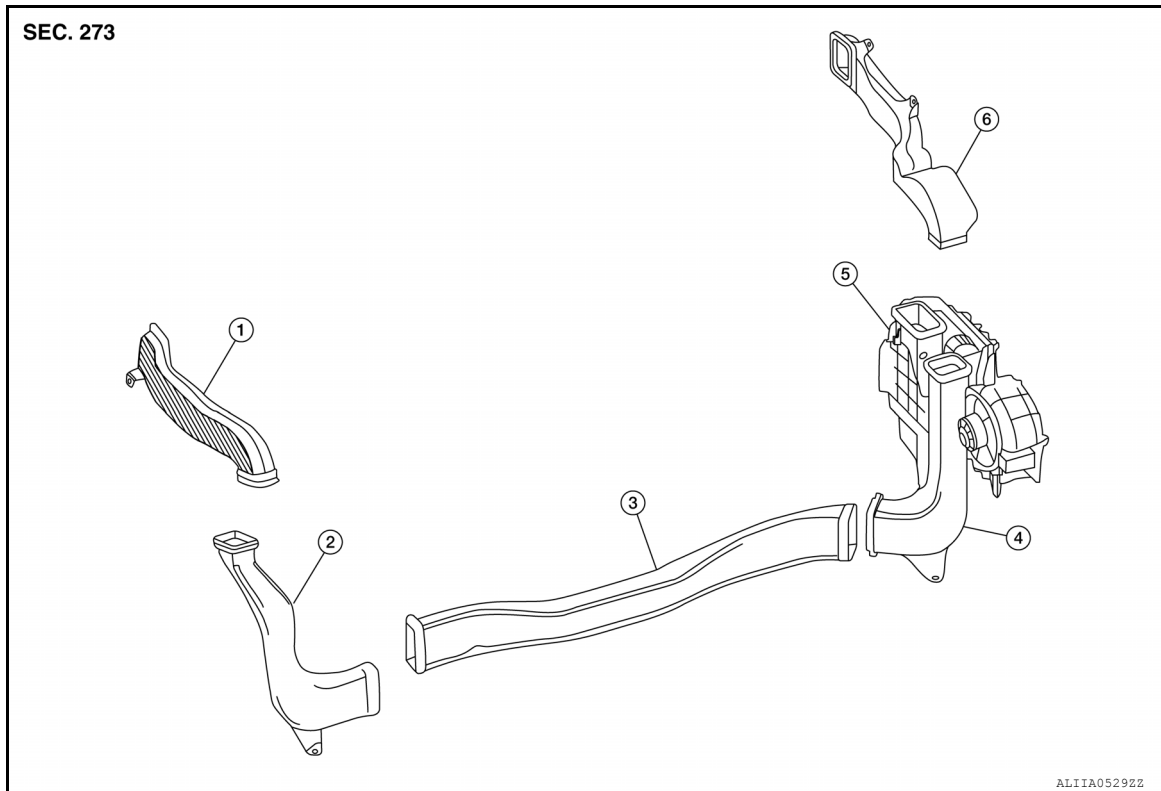
Exploded View

INFOID:000000008166388

REAR

DUCTS AND GRILLES

< REMOVAL AND INSTALLATION >



- | | | |
|-------------------------------|---|-------------------------------|
| 1. Rear ventilator duct 1 | 2. Rear ventilator duct 2 | 3. Rear ventilator duct 3 |
| 4. Rear ventilator duct lower | 5. Rear heating and cooling unit assembly | 6. Rear ventilator duct upper |

A
B
C
D
E
F
G
H

VTL

REAR VENTILATOR DUCT UPPER

REAR VENTILATOR DUCT UPPER : Removal and Installation

INFOID:000000008166379

REMOVAL

1. Remove the luggage side lower finisher RH. Refer to [INT-29, "LUGGAGE SIDE LOWER FINISHER : Removal and Installation"](#).
2. Remove the clips that retain the rear ventilator duct upper.
3. Remove the rear ventilator duct upper.

INSTALLATION

Installation is in the reverse order of removal.

REAR VENTILATOR DUCT LOWER

REAR VENTILATOR DUCT LOWER : Removal and Installation

INFOID:000000008166380

REMOVAL

1. Remove the rear ventilator duct upper. Refer to [VTL-13, "REAR VENTILATOR DUCT UPPER : Removal and Installation"](#).
2. Remove the rear ventilator duct lower screw.
3. Remove the rear ventilator duct lower.

INSTALLATION

Installation is in the reverse order of removal.

REAR VENTILATOR DUCT 1

J
K
L
M
N
O
P

DUCTS AND GRILLES

< REMOVAL AND INSTALLATION >

REAR VENTILATOR DUCT 1 : Removal and Installation

INFOID:000000007884205

REMOVAL

1. Remove the luggage side lower finisher LH. Refer to [INT-29, "LUGGAGE SIDE LOWER FINISHER : Removal and Installation"](#).
2. Remove the clips that retain the rear ventilator duct 1.
3. Remove the rear ventilator duct 1.

INSTALLATION

Installation is in the reverse order of removal.

REAR VENTILATOR DUCT 2

REAR VENTILATOR DUCT 2 : Removal and Installation

INFOID:000000008166401

REMOVAL

1. Remove rear ventilator duct 1. Refer to [VTL-14, "REAR VENTILATOR DUCT 1 : Removal and Installation"](#).
2. Remove rear ventilator duct 2 screw.
3. Remove rear ventilator duct 2.

INSTALLATION

Installation is in the reverse order of removal.

REAR VENTILATOR DUCT 3

REAR VENTILATOR DUCT 3 : Removal and Installation

INFOID:000000008166402

REMOVAL

1. Remove the storage box. Refer to [INT-31, "STORAGE BOX : Removal and Installation"](#).
2. Remove the car jack bracket.
3. Remove rear ventilator duct 2. Refer to [VTL-14, "REAR VENTILATOR DUCT 2 : Removal and Installation"](#).
4. Remove the two screws that retain rear ventilator duct 3.
5. Remove rear ventilator duct 3.

INSTALLATION

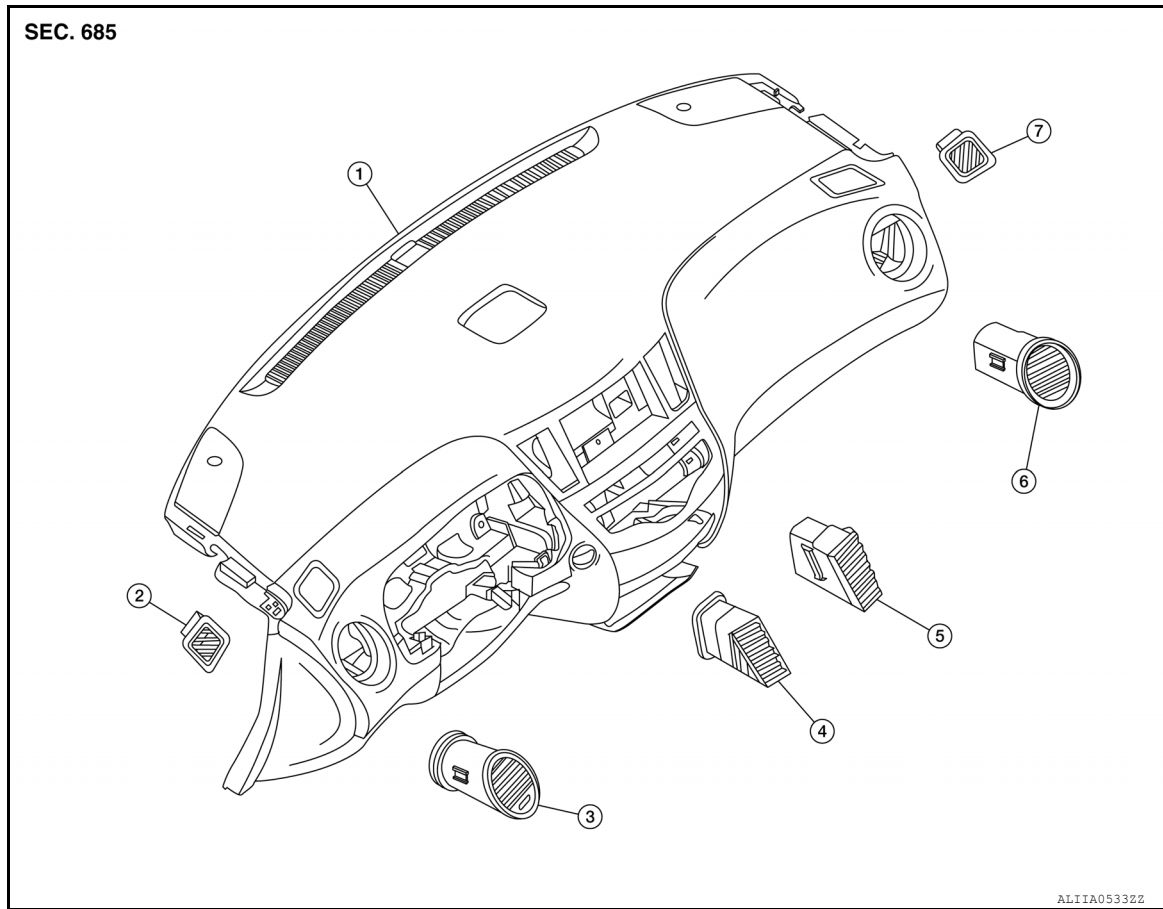
Installation is in the reverse order of removal.

DUCTS AND GRILLES

< REMOVAL AND INSTALLATION >

Exploded View

INFOID:000000008166393



A
B
C
D
E
F
G
H

VTL

J
K

- | | | |
|--------------------------------|--------------------------------|------------------------------|
| 1. Instrument panel | 2. Side defroster grille LH | 3. Side ventilator grille LH |
| 4. Center ventilator grille LH | 5. Center ventilator grille RH | 6. Side ventilator grille RH |
| 7. Side defroster grille RH | | |

L
M

CENTER VENTILATOR GRILLE

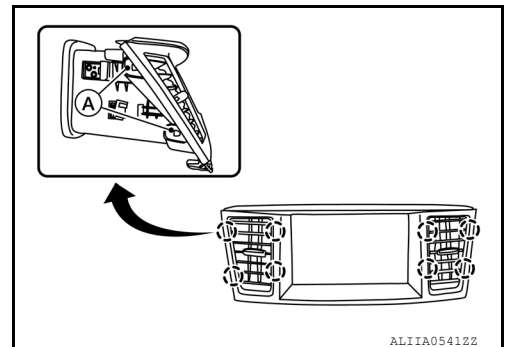
CENTER VENTILATOR GRILLE : Removal and Installation

INFOID:000000008179005

REMOVAL

1. Remove the cluster lid C upper. Refer to [IP-22, "Removal and Installation"](#).
2. Release the center ventilator grille pawls (A) from cluster lid C upper using a suitable tool.

○: Pawl



N
O
P

3. Remove the center ventilator grille (LH/RH).

INSTALLATION

Installation is in the reverse order of removal.

DUCTS AND GRILLES

< REMOVAL AND INSTALLATION >

SIDE VENTILATOR GRILLE

SIDE VENTILATOR GRILLE : Removal and Installation

INFOID:000000007884194

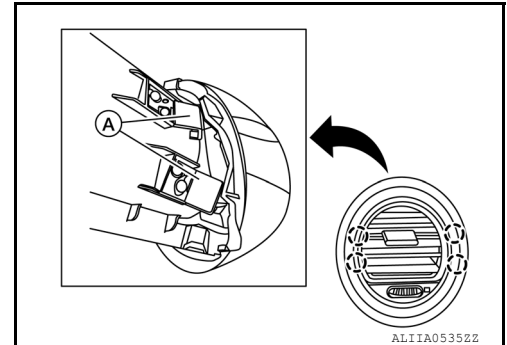
REMOVAL

1. Release the side ventilator grille pawls (A) using a suitable tool.

○: Pawl

CAUTION:

Apply protective tape around the side ventilator grille and instrument panel prior to removal to protect components from damage.



2. Remove the side ventilator grille (LH/RH).

INSTALLATION

Installation is in the reverse order of removal.

SIDE DEFROSTER GRILLE

SIDE DEFROSTER GRILLE : Removal and Installation

INFOID:000000008178665

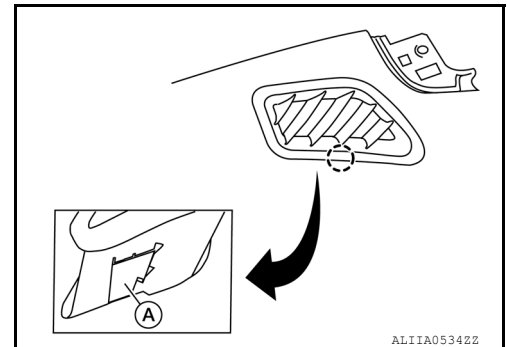
REMOVAL

1. Release the side defroster grille pawl (A) using a suitable tool.

○: Pawl

CAUTION:

Apply protective tape around the instrument panel and side defroster grille and instrument panel prior to removal to prevent components from damage.



2. Remove the side defroster grille (LH/RH).

INSTALLATION

Installation is in the reverse order of removal.

REAR CENTER VENTILATOR GRILLE

REAR CENTER VENTILATOR GRILLE : Removal and Installation

INFOID:000000007884192

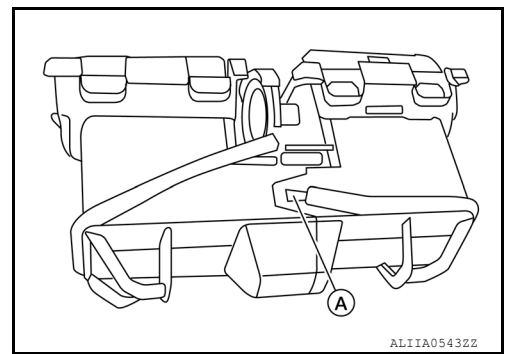
REMOVAL

1. Remove center console rear finisher. Refer to [JP-18. "Exploded View"](#).
2. Separate the rear center ventilator duct from the center console rear finisher.
3. Release the clips, then remove the rear center ventilator grille.

DUCTS AND GRILLES

< REMOVAL AND INSTALLATION >

4. Release the pawl (A) to separate the rear center ventilator grille, then remove the ventilator grille (LH/RH), if needed.



INSTALLATION

Installation is in the reverse order of removal.

REAR VENTILATOR GRILLE

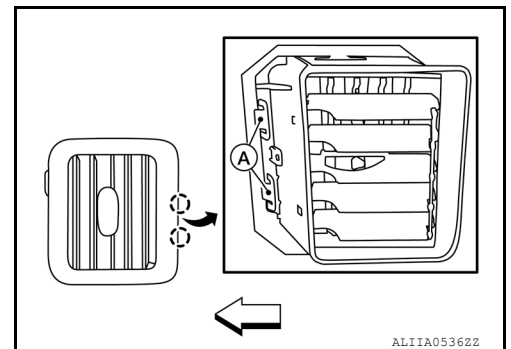
REAR VENTILATOR GRILLE : Removal and Installation

INFOID:000000007884204

REMOVAL

1. Remove the luggage side lower finisher (LH/RH). Refer to [INT-29, "LUGGAGE SIDE LOWER FINISHER : Removal and Installation"](#).
2. Release the rear ventilator grille pawls (A) using a suitable tool.

○: Pawl
←: Front



3. Remove the rear ventilator grille (LH/RH).

INSTALLATION

Installation is in the reverse order of removal.

A
B
C
D
E
F
G
H
VTL
J
K
L
M
N
O
P

BLOWER UNIT

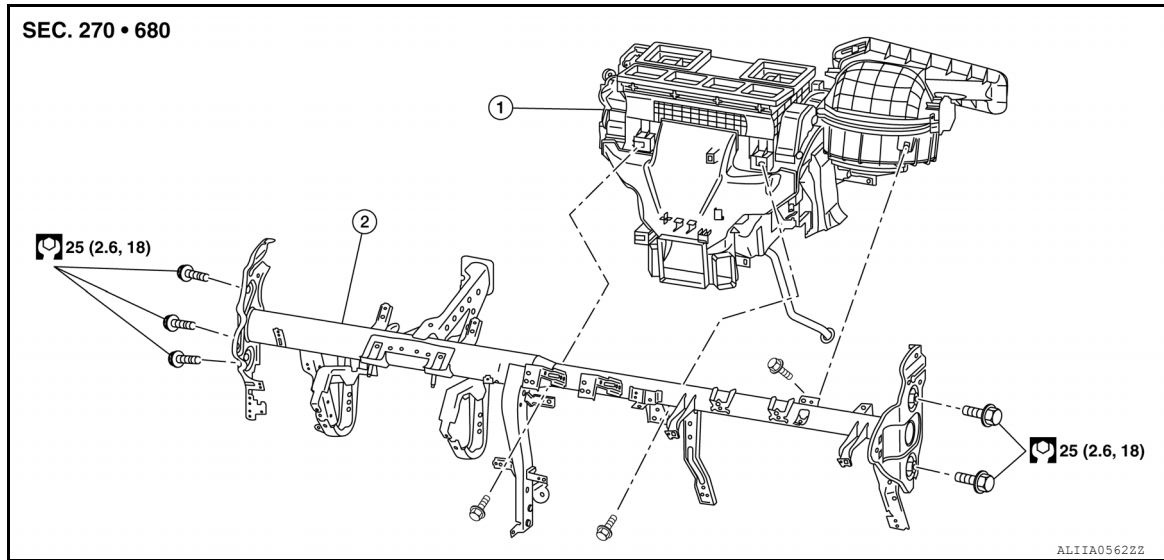
< REMOVAL AND INSTALLATION >

BLOWER UNIT

Exploded View

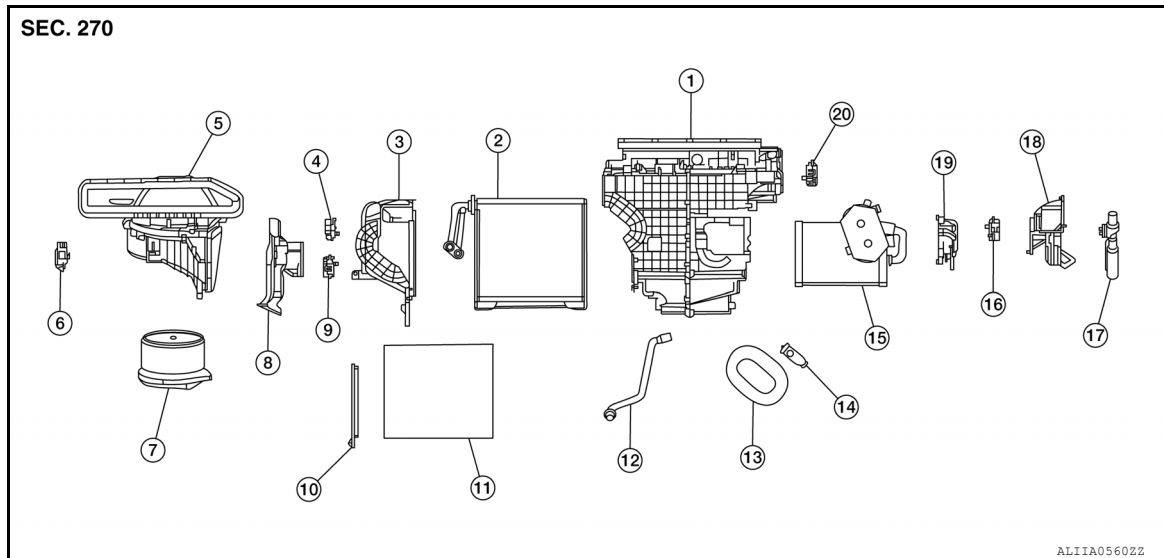
INFOID:000000007884206

REMOVAL



1. Front heating and cooling unit assembly 2. Steering member

DISASSEMBLY



- | | | |
|--|-----------------------------------|------------------------------------|
| 1. Front heating and cooling unit assembly | 2. Front evaporator | 3. Heater case side cover |
| 4. Air mix door motor (driver) | 5. Distribution module | 6. Intake door motor |
| 7. Front blower motor | 8. Upper floor connecting duct RH | 9. Air mix door motor (rear) |
| 10. In-cabin microfilter cover | 11. In-cabin microfilter | 12. Drain hose |
| 13. Expansion valve grommet | 14. Expansion valve | 15. Front heater core |
| 16. Air mix door motor (passenger) | 17. Aspirator hose | 18. Upper floor connecting duct LH |
| 19. Heater core pipe cover | 20. Mode door motor | |

FRONT BLOWER UNIT

BLOWER UNIT

< REMOVAL AND INSTALLATION >

FRONT BLOWER UNIT : Removal and Installation

INFOID:000000007884207

REMOVAL

1. Remove the front heating and cooling unit assembly. Refer to [HA-46, "Removal and Installation - Front Heating and Cooling Unit Assembly"](#)
2. Remove blower unit screws, then separate the front blower unit from the front heating unit assembly.

INSTALLATION

Installation is in the reverse order of removal.

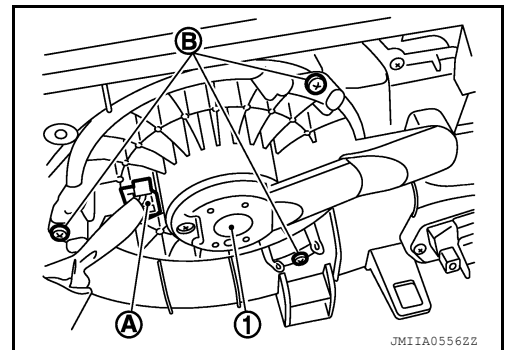
FRONT BLOWER MOTOR

FRONT BLOWER MOTOR : Removal and Installation

INFOID:000000007884208

REMOVAL

1. Remove glove box assembly. Refer to [IP-24, "Removal and Installation"](#).
2. Disconnect the harness connector (A) from the blower motor.
3. Remove blower motor screws (B), then remove blower motor (1).



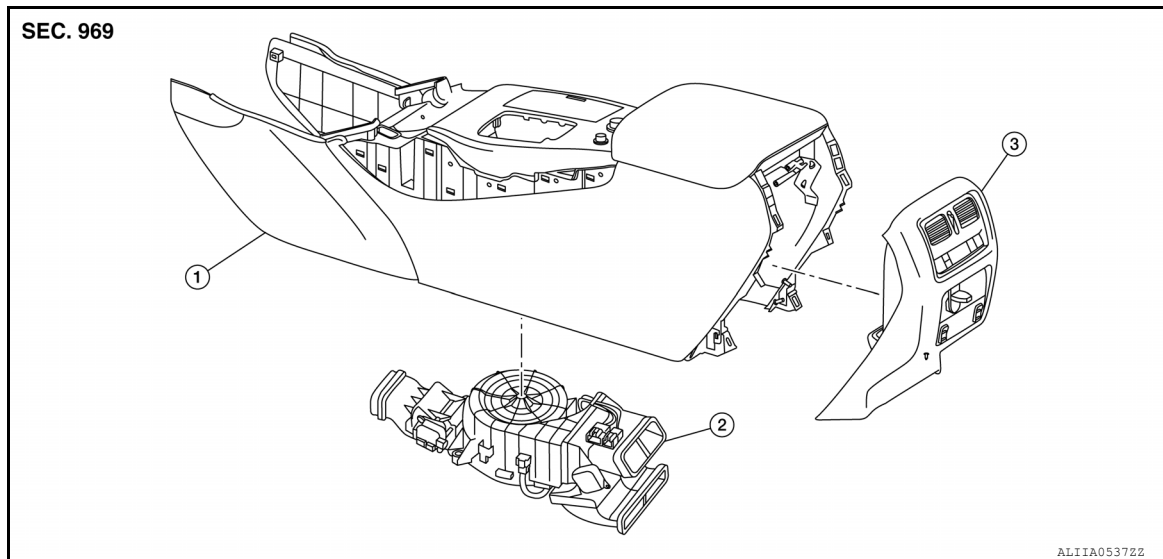
INSTALLATION

Installation is in the reverse order of removal.

CENTER BLOWER UNIT

CENTER BLOWER UNIT : Removal and Installation

INFOID:000000008180040



1. Center console assembly
2. Center blower unit
3. Center console rear finisher

REMOVAL

1. Remove the center console assembly. Refer to [IP-18, "Removal and Installation"](#).
2. Remove the center console bracket.

A
B
C
D
E
F
G
H
VTL
J
K
L
M
N
O
P

BLOWER UNIT

< REMOVAL AND INSTALLATION >

3. Disconnect the harness connectors from the center blower unit.
4. Remove the center blower unit bolts, then remove the center blower unit.

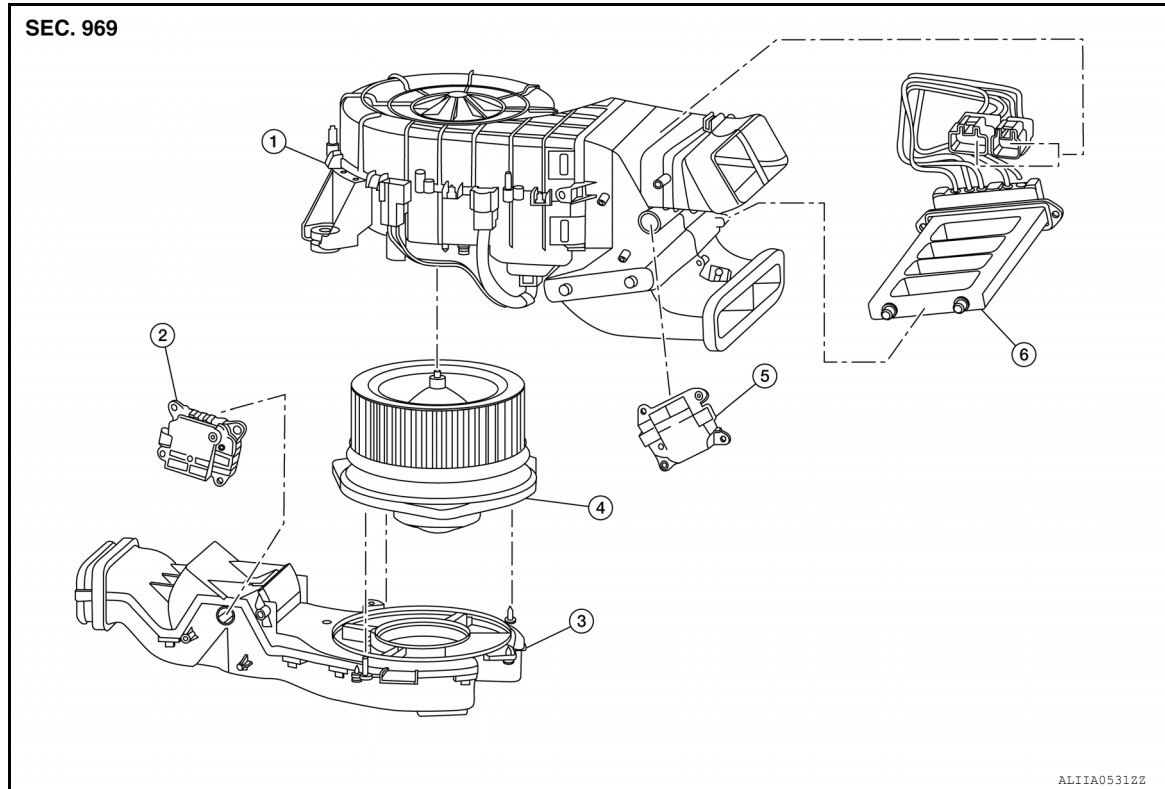
INSTALLATION

Installation is in the reverse order of removal.

CENTER BLOWER MOTOR

CENTER BLOWER MOTOR : Removal and Installation

INFOID:000000008180041



- | | | |
|----------------------------------|-----------------------------|----------------------------------|
| 1. Center blower unit upper case | 2. Rear shut-off door motor | 3. Center blower unit lower case |
| 4. Center blower motor | 5. Rear air mix door motor | 6. PTC elements heater |

REMOVAL

1. Remove the center blower unit. Refer to [VTL-19, "CENTER BLOWER UNIT : Removal and Installation"](#).
2. Disconnect the harness connector from the center blower motor.
3. Remove the center blower motor screws.
4. Remove the center blower motor.

INSTALLATION

Installation is in the reverse order of removal.

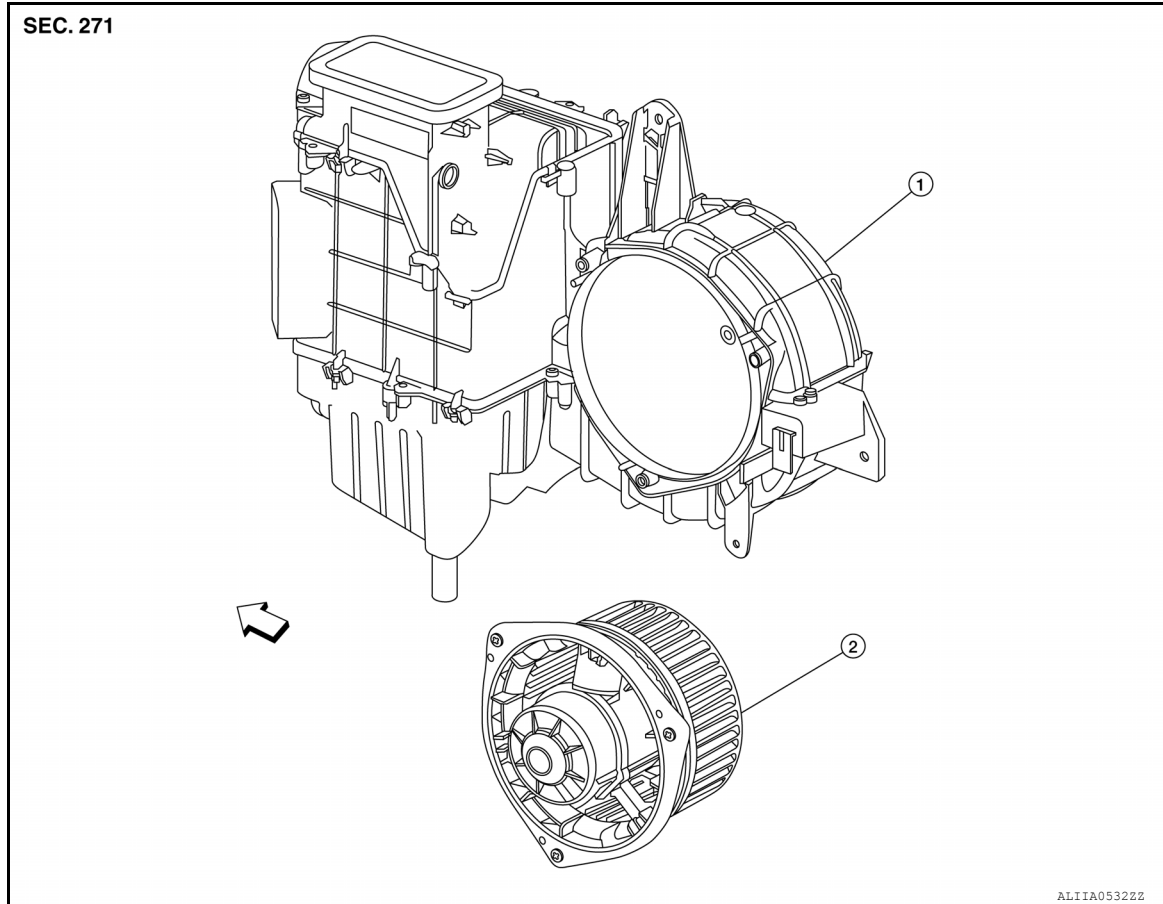
REAR BLOWER MOTOR

BLOWER UNIT

< REMOVAL AND INSTALLATION >

REAR BLOWER MOTOR : Removal and Installation

INFOID:000000008166406



1. Rear heating and cooling unit assembly

2. Rear blower motor

⇐ Front

REMOVAL

1. Remove the rear heating and cooling unit assembly. Refer to [HA-47. "Removal and Installation - Rear Heating and Cooling Unit Assembly"](#).
2. Disconnect the harness connector from the rear blower motor.
3. Remove the rear blower motor from the rear heating and cooling unit assembly.

INSTALLATION

Installation is in the reverse order of removal.

A
B
C
D
E
F
G
H
VTL
J
K
L
M
N
O
P