

SECTION **EX**
EXHAUST SYSTEM

A
EX
C
D
E
F
G
H
I
J
K
L
M
N
O
P

CONTENTS

MR16DDT		PERIODIC MAINTENANCE	4	F
PRECAUTION	2	EXHAUST SYSTEM	4	
PRECAUTIONS	2	Inspection	4	G
Removal and Installation	2	REMOVAL AND INSTALLATION	5	
PREPARATION	3	EXHAUST SYSTEM	5	H
PREPARATION	3	Exploded View	5	
Special Service Tools	3	Removal and Installation	6	
Commercial Service Tools	3	Inspection	7	I

PRECAUTION

PRECAUTIONS

Removal and Installation

INFOID:000000007577536

CAUTION:

- Be sure to use genuine exhaust system parts or equivalents which are specially designed for heat resistance, corrosion resistance, and shape.
- Perform the operation with the exhaust system fully cooled down because the system will be hot just after engine stops.
- Be careful not to cut your hand on the heat insulator edge.

PREPARATION

< PREPARATION >

[MR16DDT]

PREPARATION

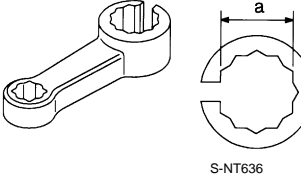
PREPARATION

Special Service Tools

INFOID:000000007577537

A

EX

Tool number (Kent- Moer No.) Tool name	Description
KV10114400 (J-38365) Heated oxygen sensor wrench 	Loosening or tightening heated oxygen sensor 2 (2WD models) a: For 22 mm (0.87 in) width hexagon nut

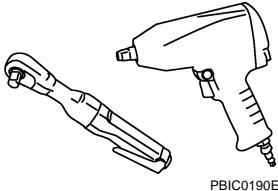
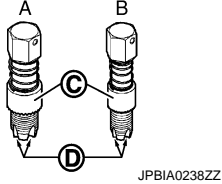

C

D

E

Commercial Service Tools

INFOID:000000007577538

Tool name	Description
Power tool 	Loosening nuts and bolts
Heated oxygen sensor thread cleaner 	Reconditioning the exhaust system threads before installing a new heated oxygen sensor (Use with anti-seize lubricant shown below.) A: J-43897-18 [18 mm (0.71 in) dia.] for zirconia heated oxygen sensor B: J-43897-12 [12 mm (0.47 in) dia.] for titania heated oxygen sensor C: Mating surface shave cylinder D: Flutes
Anti-seize lubricant (Permatex 133AR or equivalent meeting MIL specification MIL-A-907) 	Lubricating heated oxygen sensor thread cleaner when reconditioning exhaust system threads

F

G

H

I

J

K

L

M

N

O

P

PERIODIC MAINTENANCE

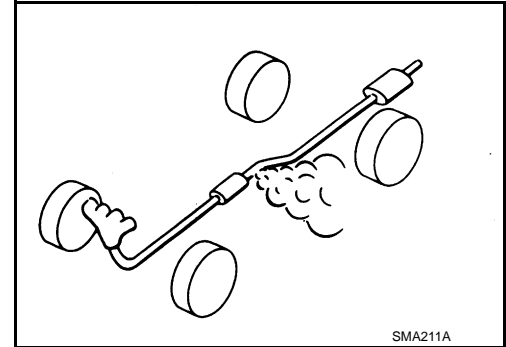
EXHAUST SYSTEM

Inspection

INFOID:000000007577539

Check exhaust pipes, muffler, and mounting for improper attachment, leakage, cracks, damage or deterioration.

- If anything is found, repair or replace damaged parts.



EXHAUST SYSTEM

< REMOVAL AND INSTALLATION >

[MR16DDT]

REMOVAL AND INSTALLATION

EXHAUST SYSTEM

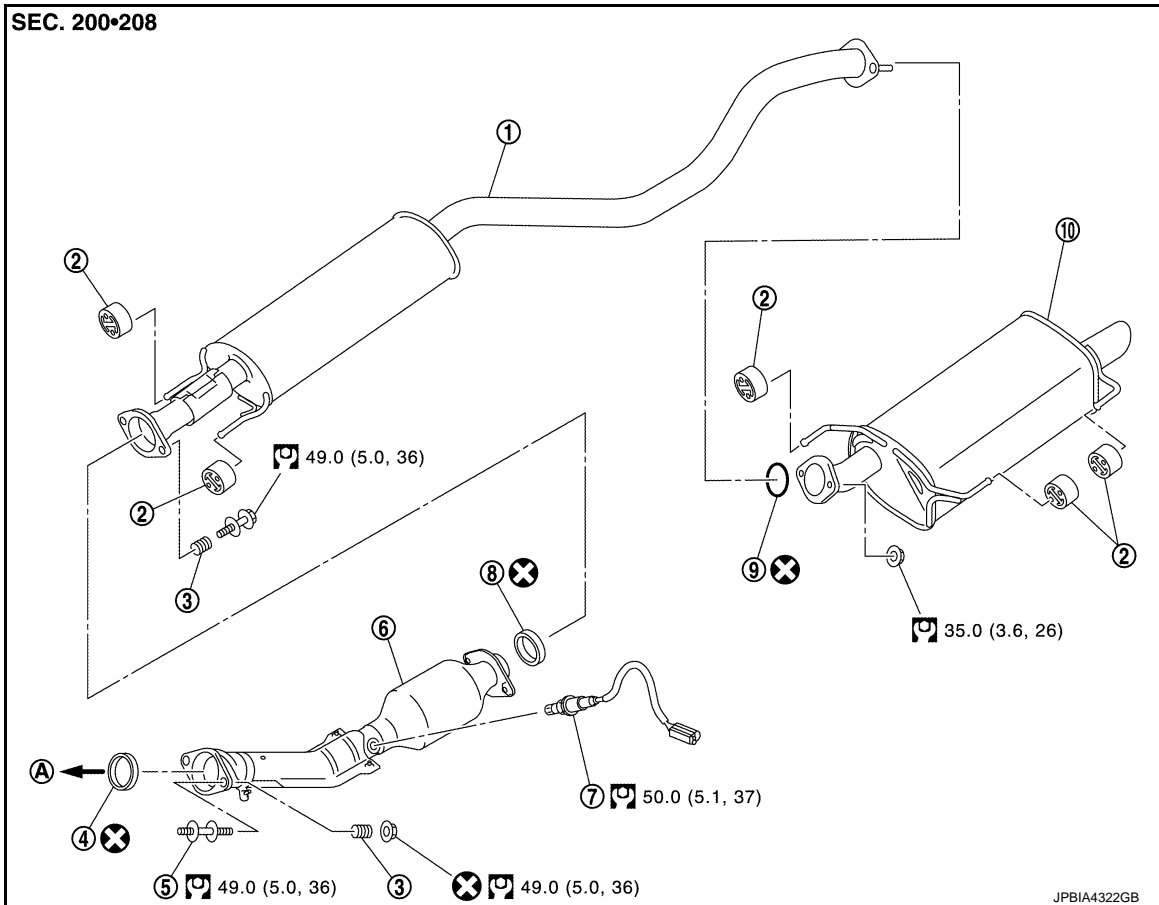
Exploded View

INFOID:000000007577540

A

EX

2WD



- | | | |
|---------------------------|--------------------|-----------------------|
| 1. Center muffler | 2. Mounting rubber | 3. Spring |
| 4. Seal bearing | 5. Stud bolt | 6. Exhaust front tube |
| 7. Heated oxygen sensor 2 | 8. Seal bearing | 9. Ring gasket |
| 10. Main muffler | | |
| A. To catalyst convertor | | |

: N·m (kg·m, ft·lb)

: Always replace after every disassembly.

C

D

E

F

G

H

I

J

K

L

M

N

O

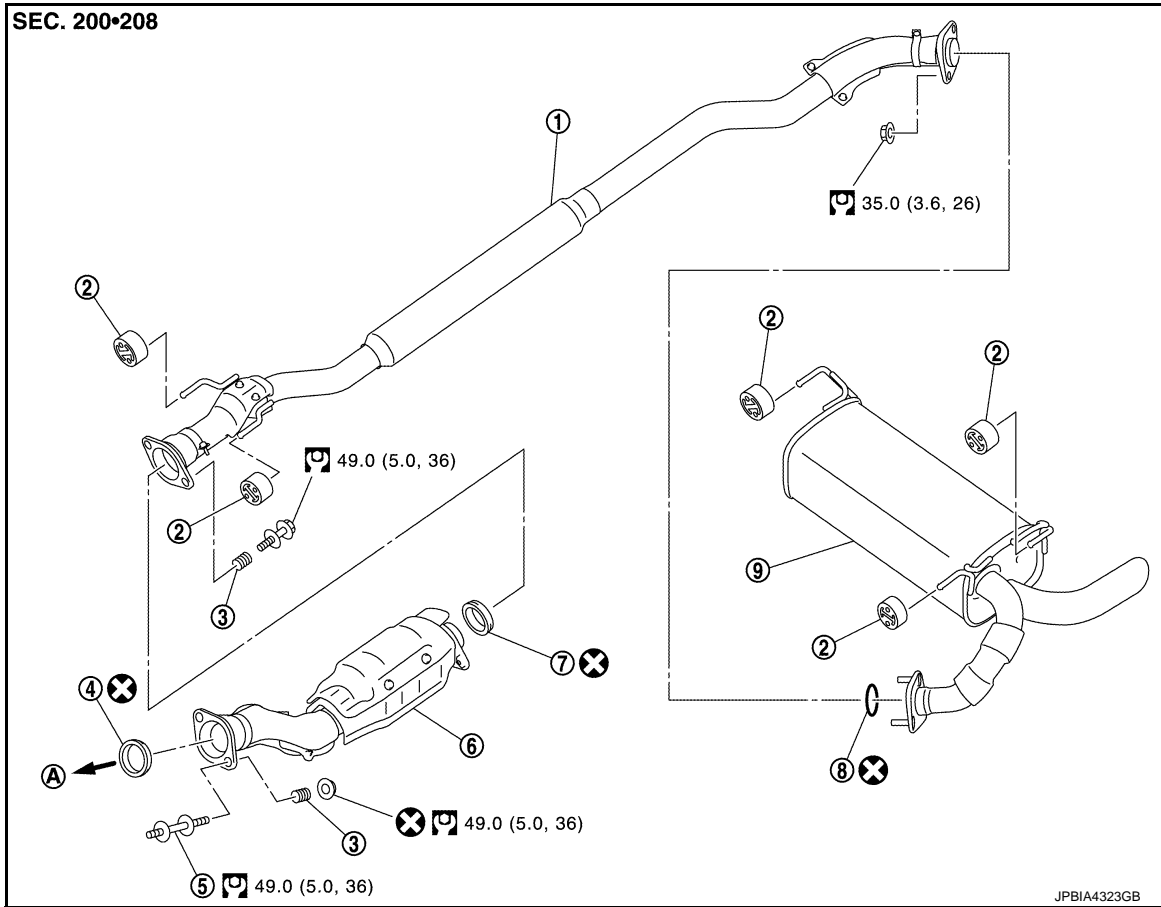
P

EXHAUST SYSTEM

< REMOVAL AND INSTALLATION >

[MR16DDT]

AWD



- | | | |
|-----------------|--------------------|-----------------------|
| 1. Center pipe | 2. Mounting rubber | 3. Spring |
| 4. Seal bearing | 5. Stud bolt | 6. Exhaust front tube |
| 7. Seal bearing | 8. Ring gasket | 9. Main muffler |
- A. To catalyst convertor

: N·m (kg·m, ft·lb)

: Always replace after every disassembly.

Removal and Installation

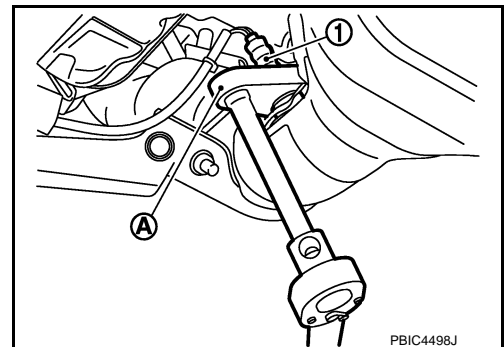
INFOID:000000007577541

REMOVAL

- Disconnect each joint and mounting.
- Remove heated oxygen sensor 2 with following procedure (2WD models):
- Using heated oxygen sensor wrench [SST: KV10114400 (J-38365)] (A), removal heated oxygen sensor 2 (1).

CAUTION:

- Never damage heated oxygen sensor 2.



PBIC4498J

INSTALLATION

Note the following, and install in the reverse order of removal.

CAUTION:

- Always replace seal bearings with new ones when reassembling.

EXHAUST SYSTEM

< REMOVAL AND INSTALLATION >

[MR16DDT]

- Discard any heated oxygen sensor 2 which has been dropped onto a hard surface such as a concrete floor. Use a new one.
- Before installing a new heated oxygen sensor 2, clean exhaust system threads using the heated oxygen sensor thread cleaner [commercial service tool: J-43897-18 or J-43897-12] and apply anti-seize lubricant (commercial service tool).
- Never over torque heated oxygen sensor 2. Doing so may cause damage to the heated oxygen sensor 2, resulting in the "MIL" coming on.
- Prevent rust preventives from adhering to the sensor body.
- If heat insulator is badly deformed, repair or replace it. If deposits such as mud pile up on the heat insulator, remove them.
- When installing heat insulator avoid large gaps or interference between heat insulator and each exhaust pipe.
- Remove deposits from the sealing surface of each connection. Connect them securely to avoid gas leakage.
- When installing each mounting rubber, use silicon oil to avoid twisting.
- Temporarily tighten mounting nuts and bolts. Check each part for unusual interference and mounting rubber interference, and then tighten them to the specified torque.
- When installing each mounting rubber, avoid twisting or unusual extension in up/down, front/rear and right/left directions.

Catalyst convertor to Exhaust Front Tube

1. Securely insert seal bearing (2) into catalyst convertor (1).

- 3 : Spring
- 4 : Nut
- 5 : Exhaust front tube

CAUTION:

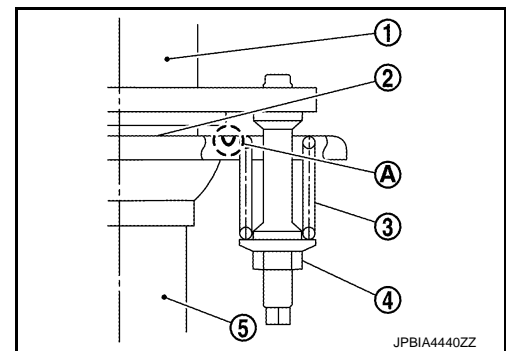
Be careful not to damage seal bearing surface when installing.

2. With spring, tighten nut.

CAUTION:

- Fasten stud bolts to the flange of exhaust manifold side to the specified torque before fastening mounting nuts.
- Ensure springs are seated correctly on the flange and not sitting on (A).
- Be careful that stud bolt does not interfere with mounting hole of exhaust front tube.

3. After installing, check that stud bolt does not interfere with mounting hole of exhaust front tube.



Exhaust Front Tube to Center Muffler

1. Securely insert seal bearing (2) into exhaust front tube (1) side in the direction shown in the figure.

- 3 : Spring
- 4 : Bolt
- 5 : Center muffler

CAUTION:

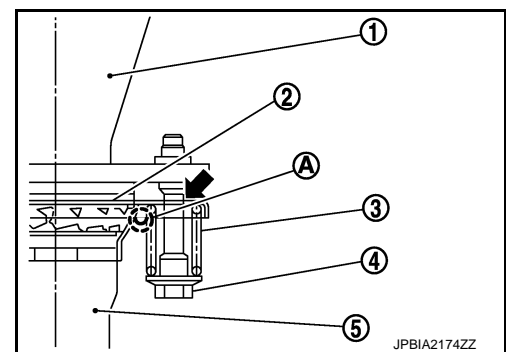
Be careful not to damage seal bearing surface when installing.

2. With spring, tighten bolt.

CAUTION:

- Ensure springs are seated correctly on the flange and not sitting on (A).
- Be careful that bolt does not interfere with mounting hole of center muffler (←).

3. After installing, check that bolt does not interfere with mounting hole of center muffler.



Inspection

INFOID:000000007577542

INSPECTION AFTER INSTALLATION

- Check clearance between tail tube and rear bumper is even.
- With engine running, check exhaust tube joints for gas leakage and unusual noises.

EXHAUST SYSTEM

< REMOVAL AND INSTALLATION >

[MR16DDT]

- Check to ensure that mounting brackets and mounting rubbers are installed properly and free from undue stress. Improper installation could result in excessive noise and vibration.