

A  
B  
C

# SECTION **PB**

## PARKING BRAKE SYSTEM

### CONTENTS

<p><b>PREPARATION</b> ..... 2</p> <p><b>PREPARATION</b> ..... 2 Commercial Service Tool .....2</p> <p><b>PERIODIC MAINTENANCE</b> ..... 3</p> <p><b>PARKING BRAKE SYSTEM</b> ..... 3 Inspection and Adjustment .....3</p> <p><b>PARKING BRAKE SHOE</b> ..... 4 Adjustment .....4</p> <p><b>REMOVAL AND INSTALLATION</b> ..... 5</p> <p><b>PARKING BRAKE CONTROL</b> ..... 5 Exploded View .....5</p>	<p>Removal and Installation ..... 6 Adjustment ..... 7</p> <p><b>PARKING BRAKE SHOE</b> ..... 8 Exploded View ..... 8 Removal and Installation ..... 8 Inspection and Adjustment .....10</p> <p><b>SERVICE DATA AND SPECIFICATIONS (SDS)</b> .....12</p> <p><b>SERVICE DATA AND SPECIFICATIONS (SDS)</b> .....12 Parking Drum Brake .....12 Parking Brake Control .....12</p>
--	---

A  
B  
C  
D  
E  
**PB**  
G  
H  
I  
J  
K  
L  
M  
N  
O  
P

# PREPARATION

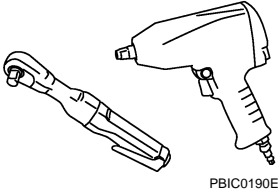
< PREPARATION >

## PREPARATION

### PREPARATION

Commercial Service Tool

INFOID:000000008273803

Tool name	Description
Power tool 	Loosening bolts and nuts

# PARKING BRAKE SYSTEM

< PERIODIC MAINTENANCE >

## PERIODIC MAINTENANCE

### PARKING BRAKE SYSTEM

#### Inspection and Adjustment

INFOID:000000008273804

#### INSPECTION

##### Lever Stroke

1. Operate the parking brake lever with a force of 196 N (20 kg, 44 lb). Check that the lever stroke is within the specified number of notches. (Check it by listening to the clicks of the ratchet.)

**Number of notches** : Refer to [PB-12, "Parking Brake Control"](#).

2. When brake warning lamp turns ON, check that the lever stroke is within the specified number of notches. (Check it by listening to the clicks of the ratchet.)

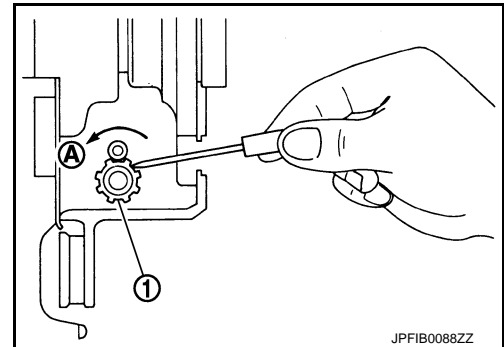
**Number of notches** : Refer to [PB-12, "Parking Brake Control"](#).

##### Inspect Components

- Check each component for installation condition such as looseness.
- Check the parking brake lever assembly for bend, damage and cracks. Replace if necessary.
- Check the cables and equalizer for wear, damage and cracks. Replace if necessary.
- Check the parking brake switch, and replace it if necessary. Refer to [BRC-97, "Component Inspection"](#).

#### ADJUSTMENT

1. Remove rear tires with power tool.
2. Fix the disc rotor using wheel nut.
3. Remove the console mask. Refer to [IP-22, "Removal and Installation"](#).
4. Remove the adjusting hole plug from the disc rotor. Turn the adjuster (1) in the direction (A) as shown in the figure using a suitable tool until the disc rotor is locked.
5. Turn back the adjuster 7 notches from the locked position.
6. Rotate the disc rotor to check that there is no drag. Install the adjuster hole plug. Refer to [PB-10, "Inspection and Adjustment"](#).



7. Adjust the cable with the following procedure.
  - a. Operate and maintain the parking brake lever with a force of 400 N (41 kg, 90 lb) for 15 minutes or more.
  - b. Adjust the parking brake lever stroke by turning the adjusting nut (1) with a socket wrench.

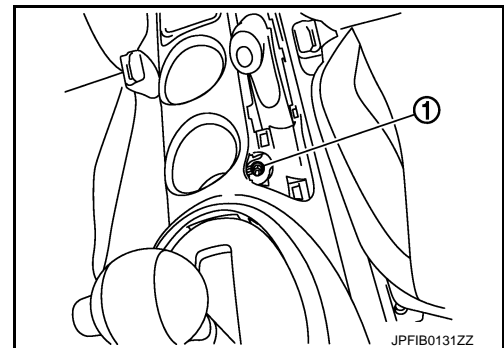
#### **CAUTION:**

**Make sure to securely depress the brake pedal.**

- c. Operate the parking brake lever with a force of 196 N (20 kg, 44lb). Check that the lever stroke is within the specified number of notches. (Check it by listening to the clicks of the ratchet.)

**Number of notches** : Refer to [PB-12, "Parking Brake Control"](#).

- d. Rotate the disc rotor to check that there is no drag. Refer to [PB-10, "Inspection and Adjustment"](#).



# PARKING BRAKE SHOE

< PERIODIC MAINTENANCE >

---

## PARKING BRAKE SHOE

### Adjustment

INFOID:000000008273805

1. Adjust parking brake lever stroke. Refer to [PB-3, "Inspection and Adjustment"](#).
2. Perform parking brake break-in (drag on) operation by driving vehicle under the following conditions:
  - Drive forward
  - Vehicle speed: Approx. 43 km/h (27 MPH) set (constant and forward)
  - Parking brake operating force: 125 N (12.8 kg, 28.1 lb) set contact
  - Time: Approx. 8 sec.

**CAUTION:**

**To prevent lining from getting too hot, allow a cool off period of approximately 5 minutes after every break-in operation.**

3. After the break-in procedure, check parking brake lever stroke of parking brake.

**CAUTION:**

**If it is out of the specification, adjust again. Refer to [PB-3, "Inspection and Adjustment"](#).**

# PARKING BRAKE CONTROL

< REMOVAL AND INSTALLATION >

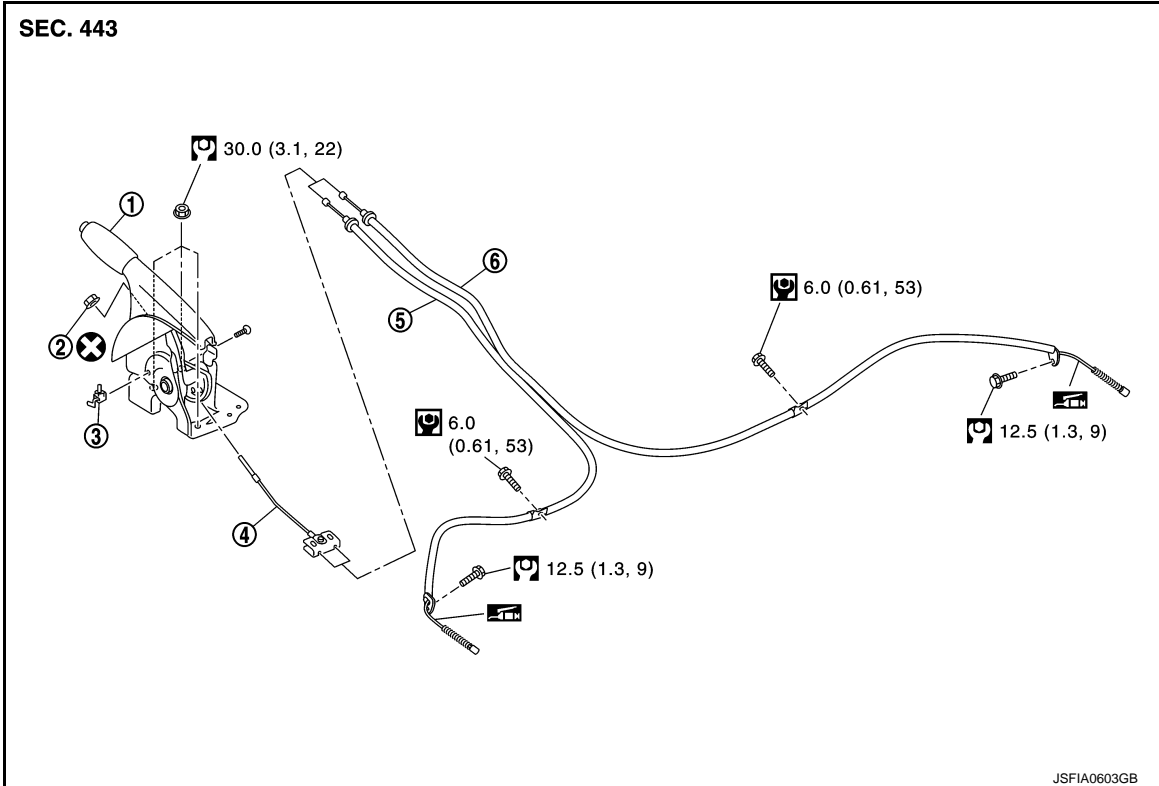
## REMOVAL AND INSTALLATION

### PARKING BRAKE CONTROL

Exploded View

INFOID:000000008273806

2WD



1. Parking brake lever assembly
2. Adjusting nut
3. Parking brake switch
4. Front cable
5. Rear cable (LH)
6. Rear cable (RH)

: Apply multi-purpose grease.

: N·m (kg-m, ft-lb)

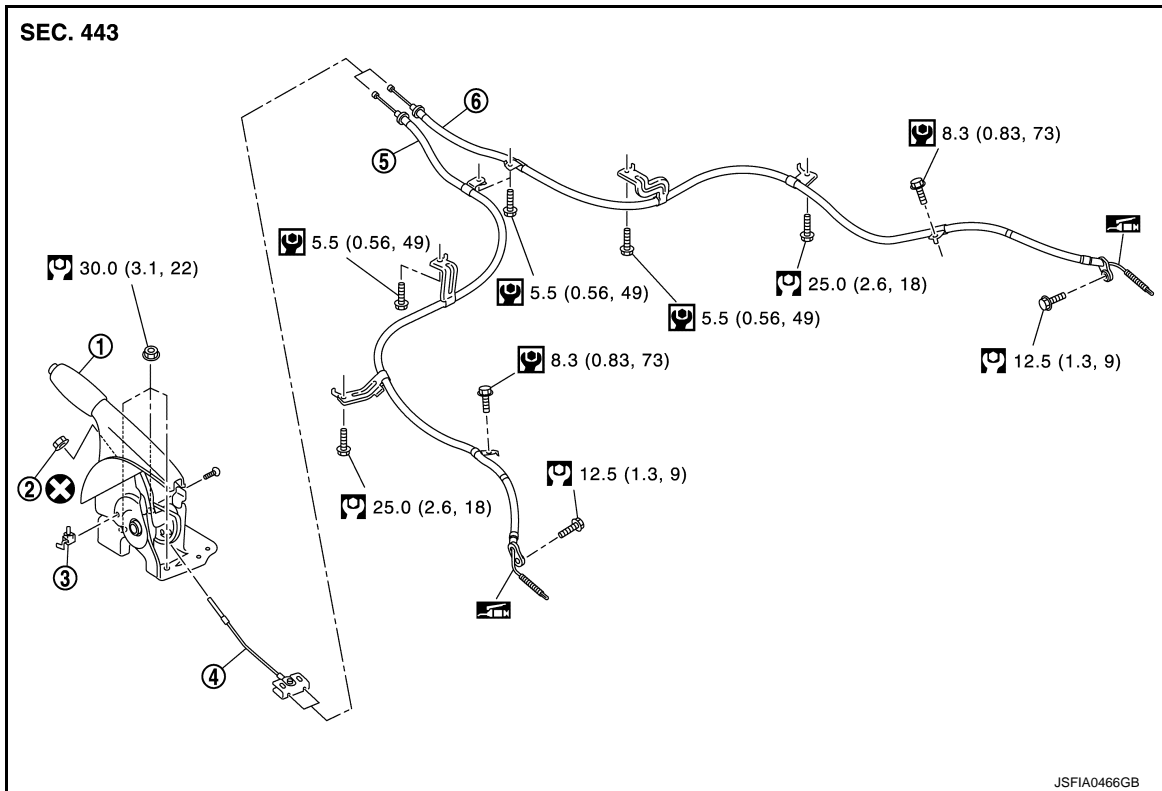
: N·m (kg-m, in-lb)

: Always replace after every disassembly.

AWD

# PARKING BRAKE CONTROL

## < REMOVAL AND INSTALLATION >



- 1. Parking brake lever assembly
- 4. Front cable

- 2. Adjusting nut
- 5. Rear cable (LH)

- 3. Parking brake switch
- 6. Rear cable (RH)

: Apply multi-purpose grease.

: N-m (kg-m, ft-lb)

: N-m (kg-m, in-lb)

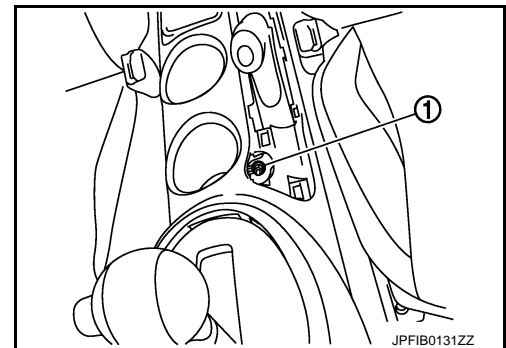
: Always replace after every disassembly.

## Removal and Installation

INFOID:000000008273807

### REMOVAL

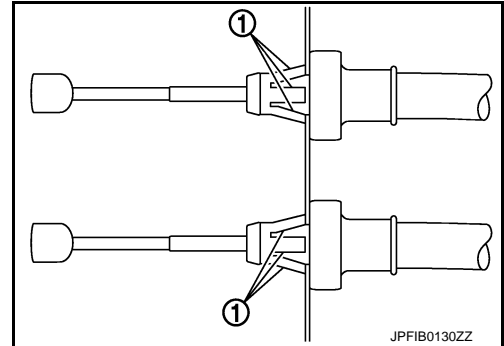
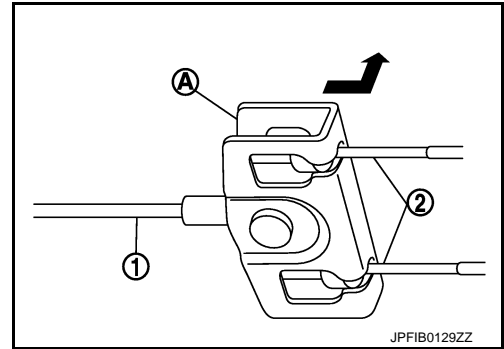
1. Remove rear tires with power tool.
2. Remove the center console assembly. Refer to [IP-22, "Removal and Installation"](#).
3. Disconnect the parking brake switch harness connector.
4. Remove adjusting nut (1) and loosen front cable.
5. Remove the parking brake lever assembly.



# PARKING BRAKE CONTROL

## < REMOVAL AND INSTALLATION >

6. Remove rear cable with the following procedure.
  - a. Pull equalizer (A) of the front cable (1) in a rearward direction.
  - b. Push the equalizer upward to remove the rear cable (2).
7. Remove center muffler and heat plate. Refer to [EX-8. "Removal and Installation"](#).
8. Remove brake shoe, and remove rear cable from toggle lever. Refer to [PB-8. "Exploded View"](#).
9. Remove rear cable mounting bolts, pull out rear cable from vehicle.
10. Press the pawl (1) to remove the rear cable from the vehicle.



## INSTALLATION

Note the following, install in the reverse order of the removal.

- Never reuse adjusting nut.
- Perform adjustment after installation. Refer to [PB-3. "Inspection and Adjustment"](#).

## Adjustment

INFOID:000000008273808

## ADJUSTMENT AFTER INSTALLATION

Adjust the parking brake lever stroke. Refer to [PB-3. "Inspection and Adjustment"](#).

A  
B  
C  
D  
E  
PB  
G  
H  
I  
J  
K  
L  
M  
N  
O  
P

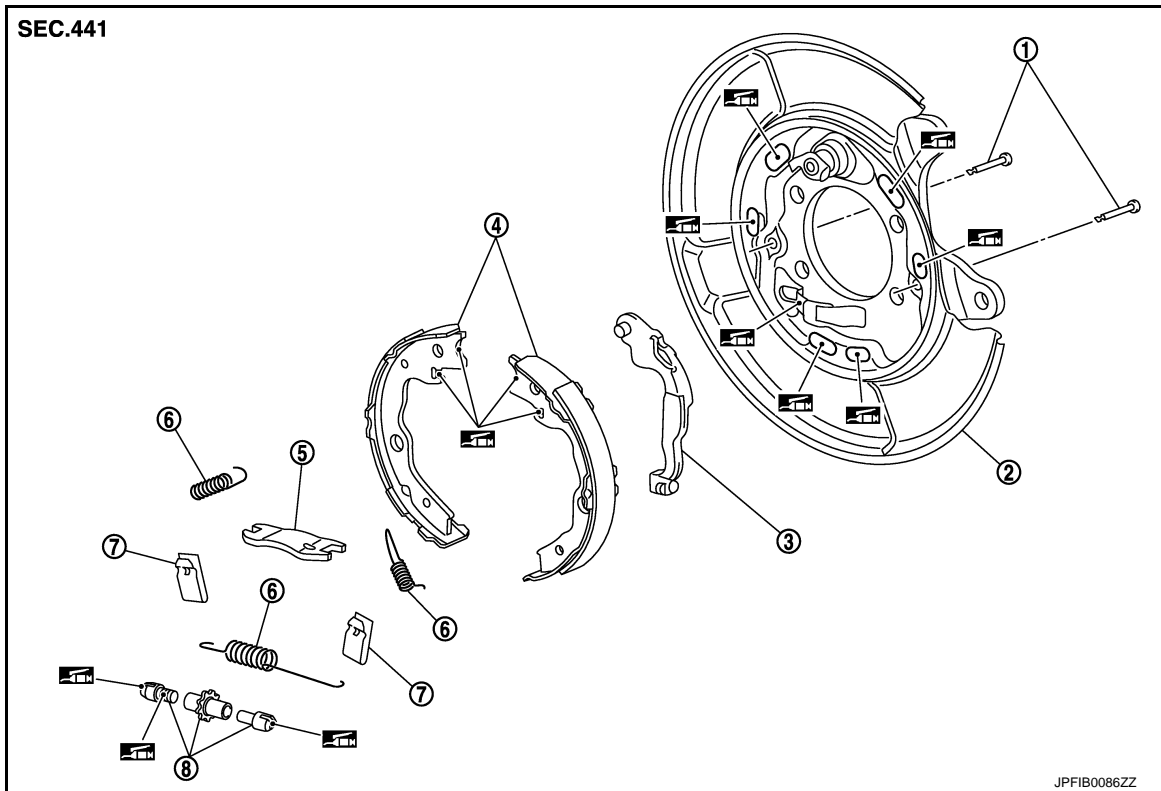
# PARKING BRAKE SHOE

< REMOVAL AND INSTALLATION >


## PARKING BRAKE SHOE

Exploded View

INFOID:000000008273809



- |                       |                |                  |
|-----------------------|----------------|------------------|
| 1. Anti-rattle pin    | 2. Back plate  | 3. Toggle lever  |
| 4. Parking brake shoe | 5. Brake strut | 6. Return spring |
| 7. Spring             | 8. Adjuster    |                  |

 Apply PBC (Poly Butyl Cuprysil) grease or silicone-based grease.

## Removal and Installation

INFOID:000000008273810

### REMOVAL

#### **WARNING:**

Since dust covering the parking brake has an affect on human body, the dust must be removed with a dust collector. Never splatter the dust with an air blow gun.

1. Remove rear tires with power tool.
2. Remove disc rotor.
  - 2WD: Refer to [RAX-5, "Removal and Installation"](#).
  - AWD: Refer to [RAX-14, "Removal and Installation"](#).

#### **CAUTION:**

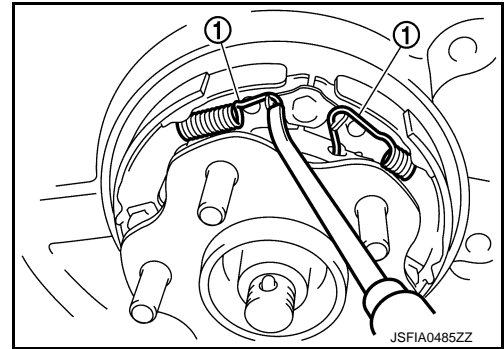
Parking brake completely in the released position.



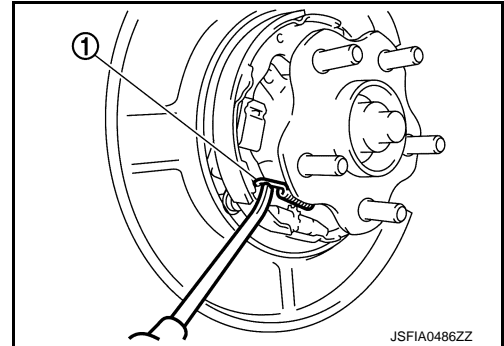
# PARKING BRAKE SHOE

## < REMOVAL AND INSTALLATION >

3. Remove return spring (1) of the upper side.



4. Remove return spring (1) of the lower side.



5. Remove spring (1).

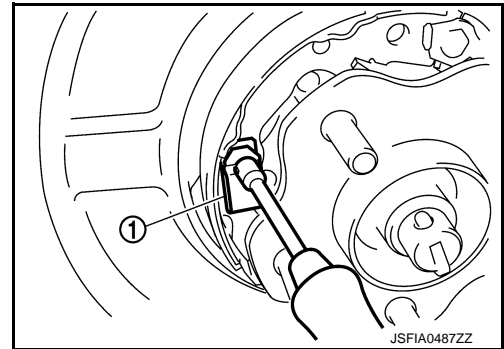
**CAUTION:**

**Never drop the removed parts.**

6. Remove parking brake shoes, adjuster, brake strut and toggle lever.

**CAUTION:**

- The parking brake shoes for the front wheels are made of different materials from those for the rear wheels. Never misidentify them when removing.
- Never drop the removed parts.



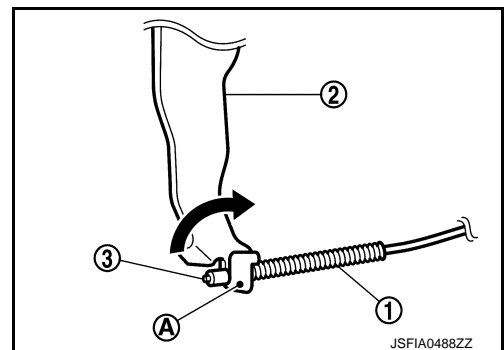
7. Press the rear cable spring (1) against spring tension to remove rear cable (3) from the clamp (A) of toggle lever (2).

**CAUTION:**

**Never bend rear cable.**

8. For the removal of back plate.

- 2WD: Refer to [RAX-5, "Removal and Installation"](#).
- AWD: Refer to [RAX-14, "Removal and Installation"](#).



## INSTALLATION

Note the following, install in the reverse order of removal.

- Apply PBC (Poly Butyl Cuprysil) grease or silicone-based grease to the back plate and brake shoe.

**CAUTION:**

**The parking brake shoes for the front wheels are made of different materials from those for the rear wheels. Never misidentify them when removing and replacing.**

A  
B  
C  
D  
E  
PB  
G  
H  
I  
J  
K  
L  
M  
N  
O  
P

# PARKING BRAKE SHOE

## < REMOVAL AND INSTALLATION >

- Assemble adjusters so that threaded part is expanded when rotating it in the direction shown by arrow.

A : For right side brake

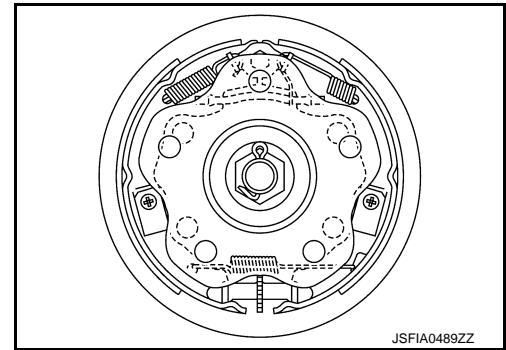
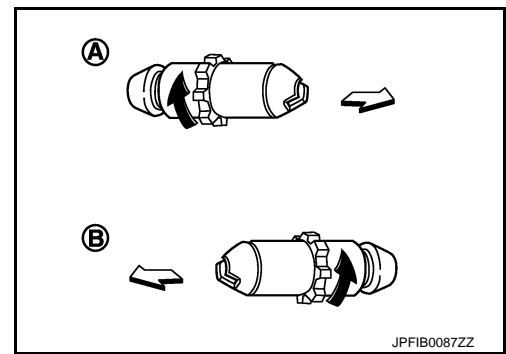
B : For left side brake

⇐: Vehicle front

←: Adjuster expands

- Shorten adjuster by rotating it.
- When disassembling apply PBC (Poly Butyl Cuprysil) grease or silicone-based grease to threads.

- Check that the component parts of the parking brake shoe are properly installed.
- Check brake shoe sliding surface and drum inner surface for grease. Wipe it off if it adhere on the surfaces.



INFOID:000000008273811

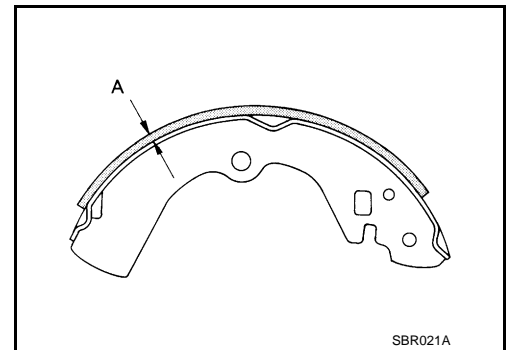
## Inspection and Adjustment

### INSPECTION AFTER REMOVAL

#### Lining Thickness Inspection

- Check thickness (A) of lining.

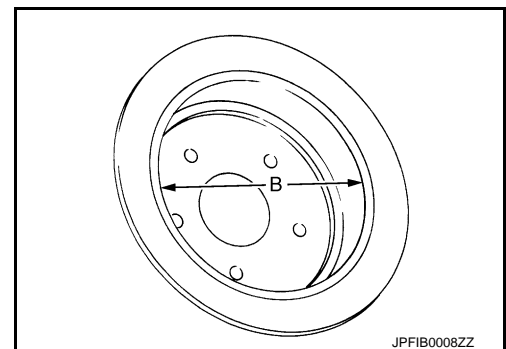
**A** : Refer to [PB-12, "Parking Drum Brake"](#).



#### Drum Inner Diameter Inspection

- Check inner diameter (B) of drum.

**B** : Refer to [PB-12, "Parking Drum Brake"](#).



#### Other Inspections

Check the following items, and replace the parts if necessary.

- Lining for excessive wear, damage, and peeling.
- Brake shoe sliding surface for excessive wear and damage.
- Anti-rattle pin for excessive wear, damage and rust.
- Return spring and spring for settling, excessive wear, damage, and rust.

# PARKING BRAKE SHOE

## < REMOVAL AND INSTALLATION >

---

- Adjuster for smoothness.
- Toggle lever and brake strut for excessive wear, damage and rust.
- Visually check inside of the drum for excessive wear, cracks, and damage with a pair of vernier calipers.

## ADJUSTMENT AFTER INSTALLATION

1. Adjust the parking brake lever stroke. Refer to [PB-3, "Inspection and Adjustment"](#).
2. Rotate the disc rotor to check that there is no drag. Install the plug. If any drag is found, follow the procedure described below.
  - a. Adjust parking brake stroke again.
  - b. Check rear disc brake. Refer to [BR-56, "BRAKE CALIPER ASSEMBLY : Inspection"](#).
3. Adjust the parking brake shoe. Refer to [PB-4, "Adjustment"](#).

A

B

C

D

E

PB

G

H

I

J

K

L

M

N

O

P

## SERVICE DATA AND SPECIFICATIONS (SDS)

< SERVICE DATA AND SPECIFICATIONS (SDS)

## SERVICE DATA AND SPECIFICATIONS (SDS)

### SERVICE DATA AND SPECIFICATIONS (SDS)

#### Parking Drum Brake

INFOID:000000008273812

Unit: mm (in)

Item	Limit
Brake lining	1.5 (0.059)
Drum (disc of inner diameter)	173 (6.81)

#### Parking Brake Control

INFOID:000000008273813

Item	Standard
Number of notches [under force of 196 N (20 kg, 44 lb)]	9 – 10 notches
Number of notches when brake warning lamp turns ON	1 notch