

A
B
C

SECTION **VTL**

VENTILATION SYSTEM

CONTENTS

PRECAUTION	CENTER VENTILATOR DUCT	F
2	CENTER VENTILATOR DUCT : Removal and Installation	9
PRECAUTIONS	10	
2	SIDE VENTILATOR DUCT	G
Precaution for Supplemental Restraint System (SRS) "AIR BAG" and "SEAT BELT PRE-TENSIONER"	SIDE VENTILATOR DUCT : Removal and Installation	10
2	10	
PREPARATION	REAR HEATER DUCT 1	H
3	REAR HEATER DUCT 1 : Removal and Installation	10
PREPARATION	10	
3	REAR HEATER DUCT 2	J
Commercial Service Tool	REAR HEATER DUCT 2 : Removal and Installation	11
3	11	
SYSTEM DESCRIPTION	REAR HEATER DUCT 3	K
4	REAR HEATER DUCT 3 : Removal and Installation	11
VENTILATION SYSTEM	11	
4	FOOT DUCT	L
System Description	FOOT DUCT : Removal and Installation	12
4	12	
REMOVAL AND INSTALLATION	BLOWER MOTOR	M
6	Blower Motor	13
DUCT AND GRILLE	Exploded View	13
6	Removal and Installation	13
Exploded View	IN-CABIN MICROFILTER	N
6	Exploded View	15
CENTER VENTILATOR GRILLE	Removal and Installation	15
7	Replacement	15
CENTER VENTILATOR GRILLE : Removal and Installation	SERVICE DATA AND SPECIFICATIONS (SDS)	O
7	16	
SIDE DEFROSTER NOZZLE	SERVICE DATA AND SPECIFICATIONS (SDS)	P
8	In-cabin microfilter	16
SIDE DEFROSTER NOZZLE : Removal and Installation	16	
8		
SIDE VENTILATOR GRILLE		
8		
SIDE VENTILATOR GRILLE : Removal and Installation		
8		
SIDE DEFROSTER GRILLE		
9		
SIDE DEFROSTER GRILLE : Removal and Installation		
9		
FRONT DEFROSTER NOZZLE		
9		
FRONT DEFROSTER NOZZLE : Removal and Installation		
9		

VTL

PRECAUTIONS

< PRECAUTION >

PRECAUTION

PRECAUTIONS

Precaution for Supplemental Restraint System (SRS) "AIR BAG" and "SEAT BELT PRE-TENSIONER"

INFOID:000000008273616

The Supplemental Restraint System such as "AIR BAG" and "SEAT BELT PRE-TENSIONER", used along with a front seat belt, helps to reduce the risk or severity of injury to the driver and front passenger for certain types of collision. This system includes seat belt switch inputs and dual stage front air bag modules. The SRS system uses the seat belt switches to determine the front air bag deployment, and may only deploy one front air bag, depending on the severity of a collision and whether the front occupants are belted or unbelted. Information necessary to service the system safely is included in the "SRS AIR BAG" and "SEAT BELT" of this Service Manual.

WARNING:

Always observe the following items for preventing accidental activation.

- To avoid rendering the SRS inoperative, which could increase the risk of personal injury or death in the event of a collision that would result in air bag inflation, all maintenance must be performed by an authorized NISSAN/INFINITI dealer.
- Improper maintenance, including incorrect removal and installation of the SRS, can lead to personal injury caused by unintentional activation of the system. For removal of Spiral Cable and Air Bag Module, see "SRS AIR BAG".
- Never use electrical test equipment on any circuit related to the SRS unless instructed to in this Service Manual. SRS wiring harnesses can be identified by yellow and/or orange harnesses or harness connectors.

PRECAUTIONS WHEN USING POWER TOOLS (AIR OR ELECTRIC) AND HAMMERS

WARNING:

Always observe the following items for preventing accidental activation.

- When working near the Air Bag Diagnosis Sensor Unit or other Air Bag System sensors with the ignition ON or engine running, never use air or electric power tools or strike near the sensor(s) with a hammer. Heavy vibration could activate the sensor(s) and deploy the air bag(s), possibly causing serious injury.
- When using air or electric power tools or hammers, always switch the ignition OFF, disconnect the battery, and wait at least 3 minutes before performing any service.

PREPARATION

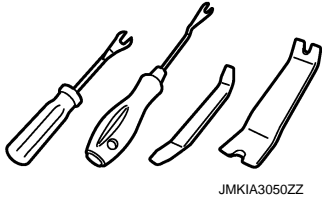
< PREPARATION >

PREPARATION

PREPARATION

Commercial Service Tool

INFOID:000000008273617

Tool name	Description
Remover tool  JMKIA3050ZZ	Remove clips, pawls and metal clips

A

B

C

D

E

F

G

H

VTL

J

K

L

M

N

O

P

VENTILATION SYSTEM

< SYSTEM DESCRIPTION >

SYSTEM DESCRIPTION

VENTILATION SYSTEM

System Description

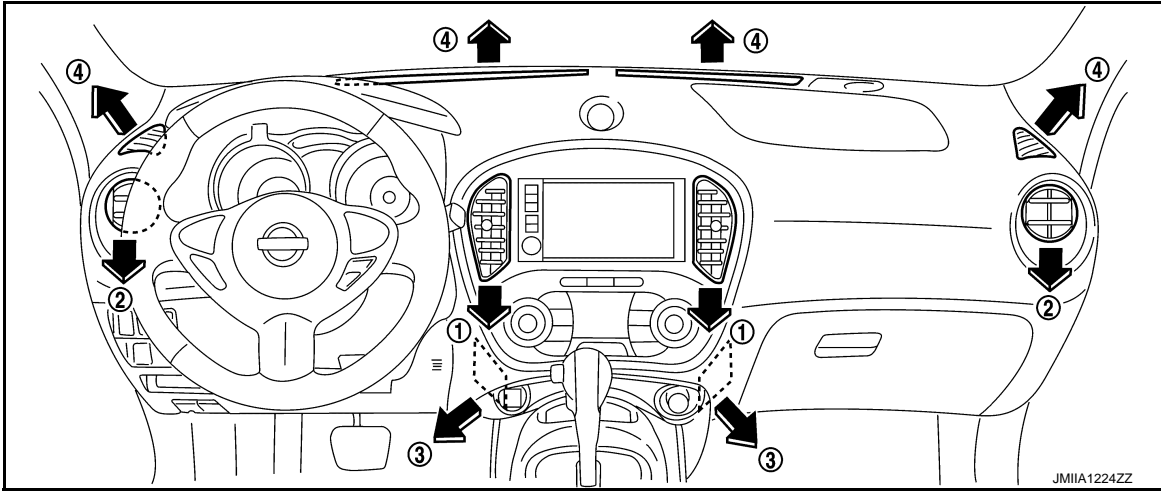
INFOID:000000008273618

OUTLINE

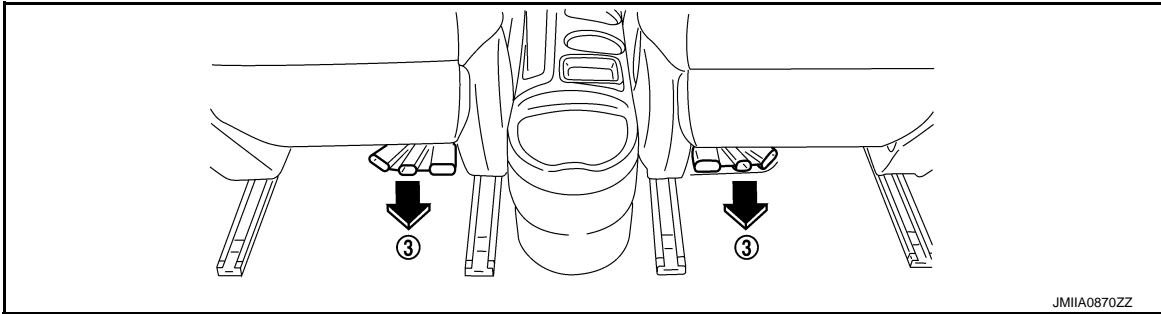
Ventilation system is controlled by A/C auto amp. (AUTOMATIC AIR CONDITIONING) or A/C control (MANUAL AIR CONDITIONING). For details of air conditioner system, refer to [HAC-11, "System Description"](#) (AUTOMATIC AIR CONDITIONING), [HAC-99, "System Description"](#) (MANUAL AIR CONDITIONING).

AIR FLOW

Front



Rear



Models for Canada






×: Applicable

MODE/DEF position indication	AIR OUTRET				
	Ventilator		Foot		Defroster (4)
	Center (1)	Side (2)	Front (3)	Rear (3)	
	×	×	—	—	—
	×	×	×	×	—
	—	×	×	×	×
	—	×	×	×	×
	—	×	—	—	×

Models except for Canada

VENTILATION SYSTEM

< SYSTEM DESCRIPTION >

MODE/DEF position in- dication	AIR OUTRET			
	Ventilator		Foot (3)	Defroster (4)
	Center (1)	Side (2)		
	×	×	—	—
	×	×	×	—
	—	×	×	×
	—	×	×	×
	—	×	—	×

A
B
C
D
E
F
G
H
J
K
L
M
N
O
P

VTL

DUCT AND GRILLE

< REMOVAL AND INSTALLATION >

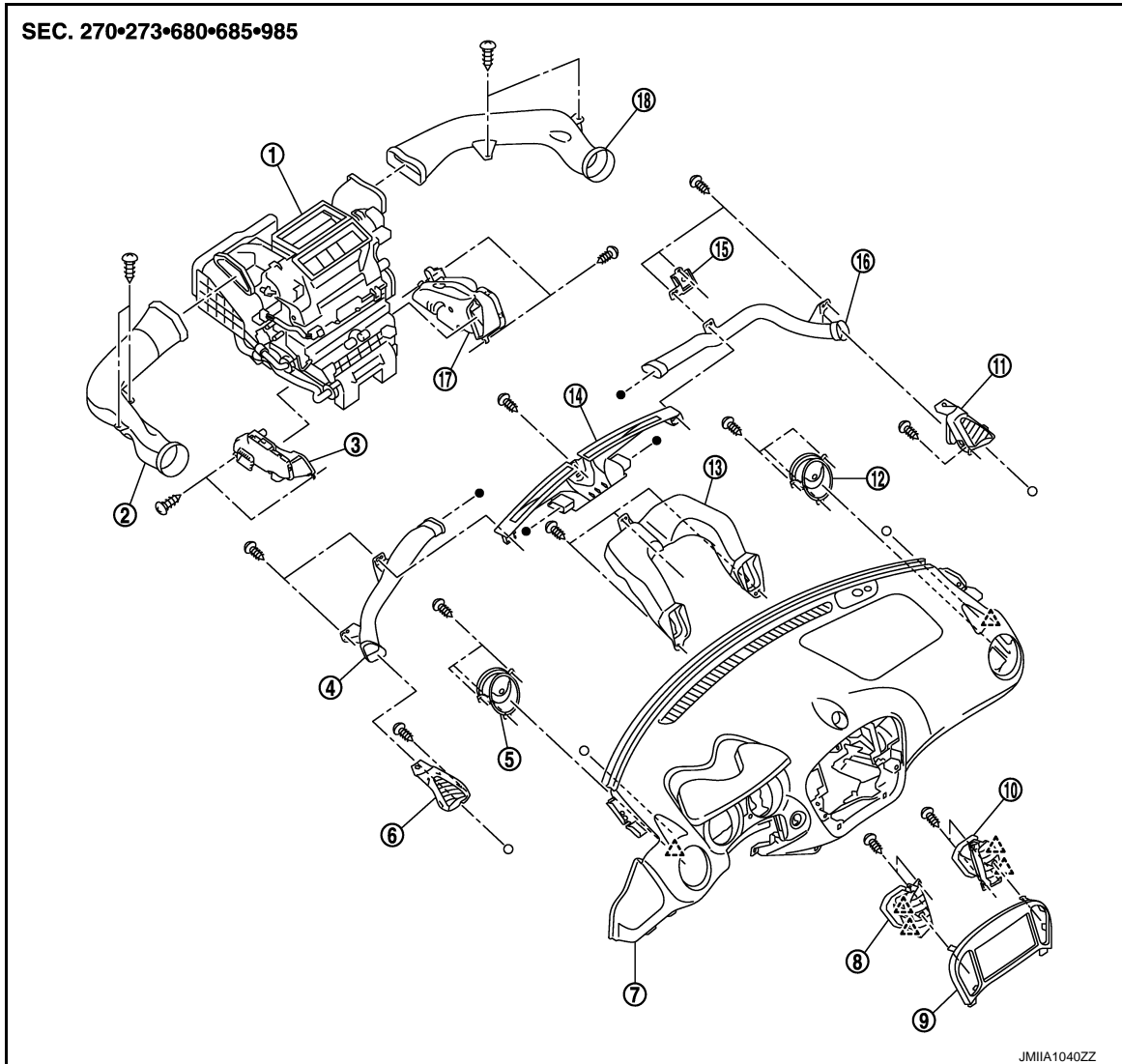
REMOVAL AND INSTALLATION

DUCT AND GRILLE

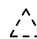
Exploded View

INFOID:000000008273619

FRONT



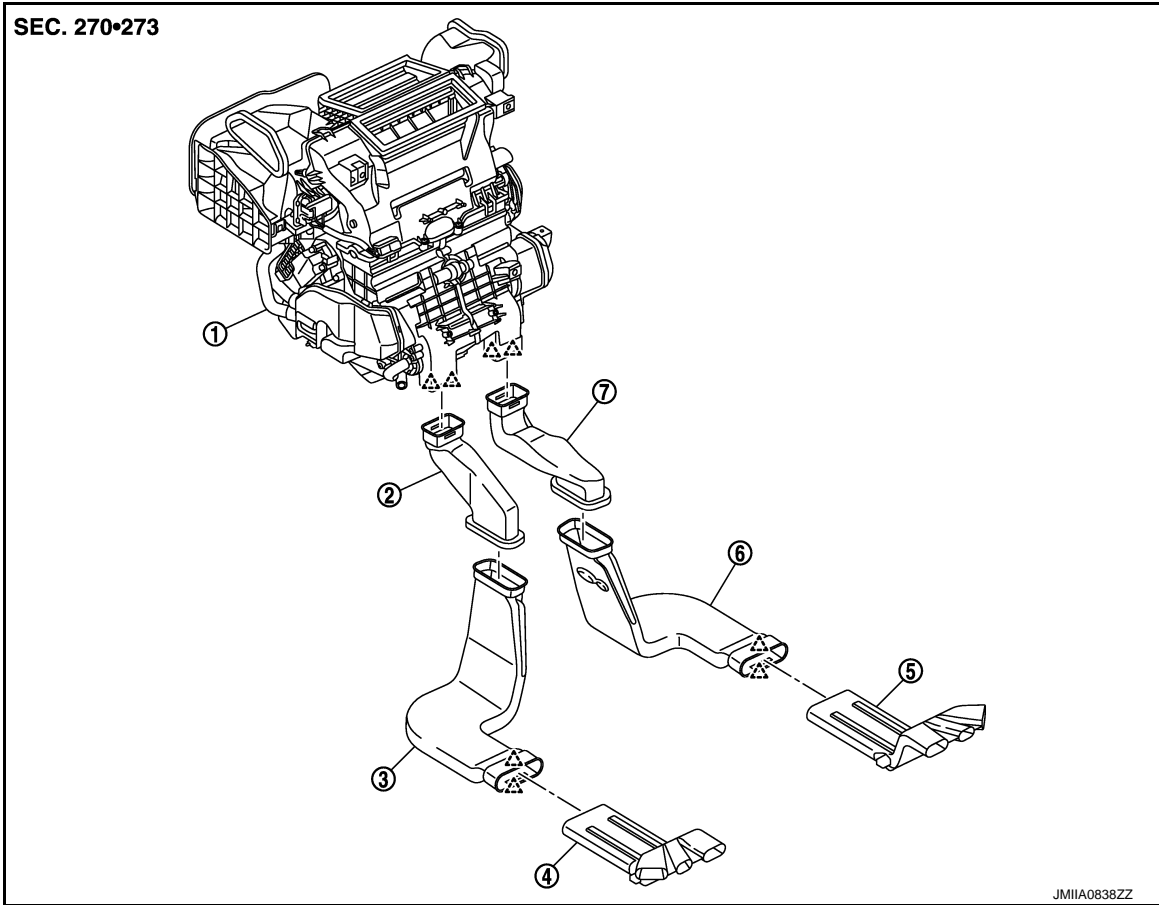
- | | | |
|---------------------------------|--------------------------------|-------------------------------|
| 1. A/C unit assembly | 2. Side ventilator duct LH | 3. Foot duct LH |
| 4. Side defroster nozzle LH | 5. Side ventilator grille LH | 6. Side defroster grille LH |
| 7. Instrument panel assembly | 8. Center ventilator grille LH | 9. Cluster lid C |
| 10. Center ventilator grille RH | 11. Side defroster grille RH | 12. Side ventilator grille RH |
| 13. Center ventilator duct | 14. Front defroster nozzle | 15. Instrument panel bracket |
| 16. Side defroster nozzle RH | 17. Foot duct RH | 18. Side ventilator duct RH |

 : Pawl


REAR

DUCT AND GRILLE

< REMOVAL AND INSTALLATION >



- | | | |
|---------------------------|---------------------------|---------------------------|
| 1. A/C unit assembly | 2. Rear heater duct 1 LH* | 3. Rear heater duct 2 LH* |
| 4. Rear heater duct 3 LH* | 5. Rear heater duct 1 RH* | 6. Rear heater duct 2 RH* |
| 7. Rear heater duct 3 RH* | | |

 : Pawl

*: Models for Canada only

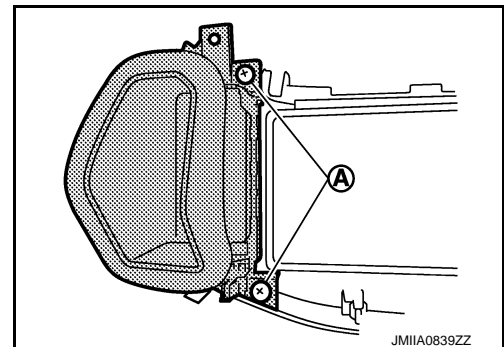
CENTER VENTILATOR GRILLE

CENTER VENTILATOR GRILLE : Removal and Installation

INFOID:000000008273620

REMOVAL

1. Remove cluster lid C. Refer to [IP-12, "Removal and Installation"](#).
2. Remove fixing screws (A).

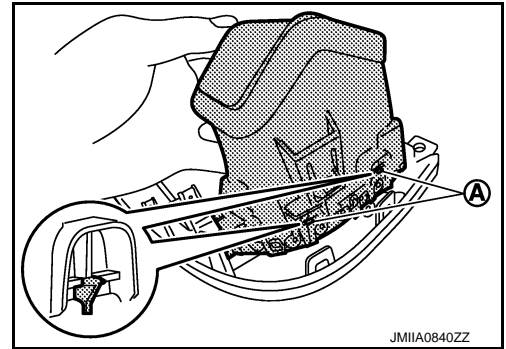


A
B
C
D
E
F
G
H
VTL
J
K
L
M
N
O
P

DUCT AND GRILLE

< REMOVAL AND INSTALLATION >

3. Disengage fixing pawls (A), and then remove center ventilator grille.



INSTALLATION

Install in the reverse order of removal.

SIDE DEFROSTER NOZZLE

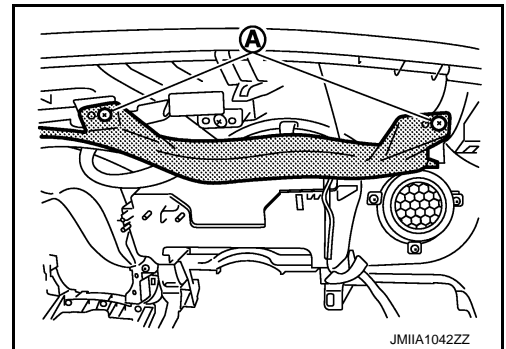
SIDE DEFROSTER NOZZLE : Removal and Installation

INFOID:000000008273621

REMOVAL

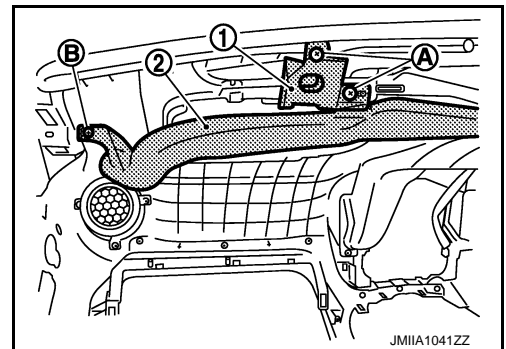
Driver Side

1. Remove instrument panel assembly. Refer to [IP-12. "Removal and Installation"](#).
2. Remove fixing screws (A), and then remove side defroster nozzle.



Passenger Side

1. Remove instrument panel assembly. Refer to [IP-12. "Removal and Installation"](#).
2. Remove fixing screws (A), and then remove instrument panel bracket (1).
3. Remove fixing screw (B), and then remove side defroster nozzle (2).



INSTALLATION

Install in the reverse order of removal.

SIDE VENTILATOR GRILLE

SIDE VENTILATOR GRILLE : Removal and Installation

INFOID:000000008273622

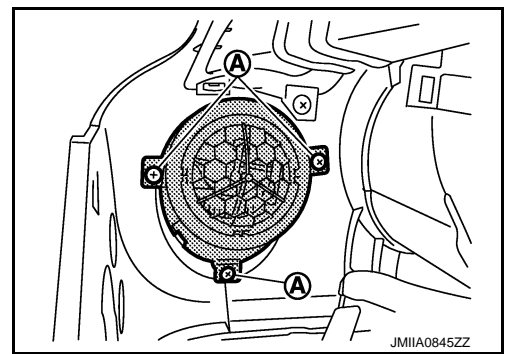
REMOVAL

1. Remove instrument panel assembly. Refer to [IP-12. "Removal and Installation"](#).

DUCT AND GRILLE

< REMOVAL AND INSTALLATION >

2. Remove fixing screws (A), and then remove side ventilator grille.



INSTALLATION

Install in the reverse order of removal.

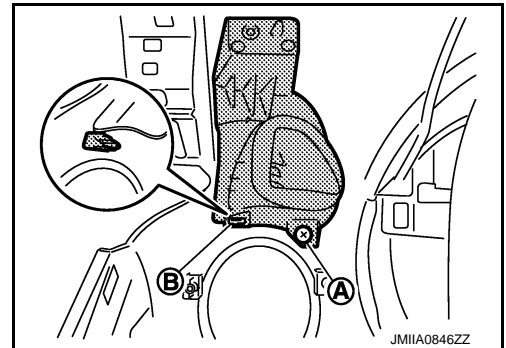
SIDE DEFROSTER GRILLE

SIDE DEFROSTER GRILLE : Removal and Installation

INFOID:000000008273623

REMOVAL

1. Remove instrument panel assembly. Refer to [JP-12, "Removal and Installation"](#).
2. Remove side defroster nozzle. Refer to [VTL-8, "SIDE DEFROSTER NOZZLE : Removal and Installation"](#).
3. Remove fixing screw (A) and disengage fixing pawl (B), and then remove side defroster grille.



INSTALLATION

Install in the reverse order of removal.

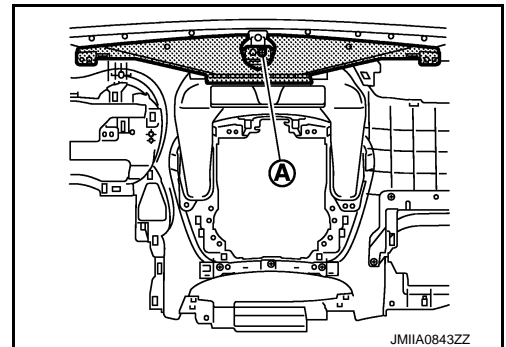
FRONT DEFROSTER NOZZLE

FRONT DEFROSTER NOZZLE : Removal and Installation

INFOID:000000008273624

REMOVAL

1. Remove instrument panel assembly. Refer to [JP-12, "Removal and Installation"](#).
2. Remove side defroster nozzle. Refer to [VTL-8, "SIDE DEFROSTER NOZZLE : Removal and Installation"](#).
3. Remove fixing screw (A), and then remove front defroster nozzle.



INSTALLATION

Install in the reverse order of removal.

CENTER VENTILATOR DUCT

DUCT AND GRILLE

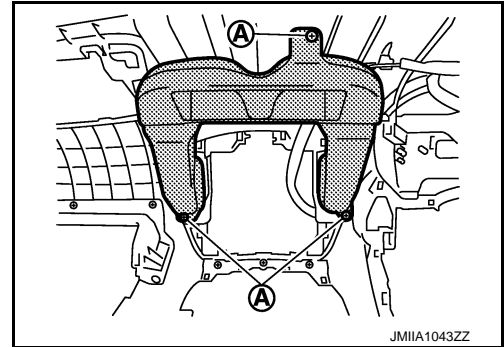
< REMOVAL AND INSTALLATION >

CENTER VENTILATOR DUCT : Removal and Installation

INFOID:000000008273625

REMOVAL

1. Remove instrument panel assembly. Refer to [IP-12. "Removal and Installation"](#).
2. Remove side defroster nozzle LH and RH. Refer to [VTL-8. "SIDE DEFROSTER NOZZLE : Removal and Installation"](#).
3. Remove front defroster nozzle. Refer to [VTL-9. "FRONT DEFROSTER NOZZLE : Removal and Installation"](#).
4. Remove fixing screws (A), and then remove center ventilator duct.



INSTALLATION

Install in the reverse order of removal.

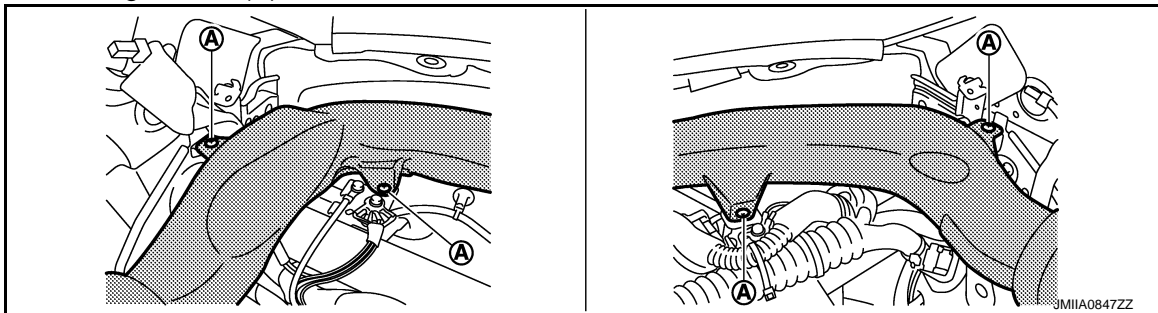
SIDE VENTILATOR DUCT

SIDE VENTILATOR DUCT : Removal and Installation

INFOID:000000008273626

REMOVAL

1. Remove instrument panel assembly. Refer to [IP-12. "Removal and Installation"](#).
2. Remove fixing screws (A), and then remove side ventilator duct.



Driver side

Passenger side

INSTALLATION

Install in the reverse order of removal.

REAR HEATER DUCT 1

REAR HEATER DUCT 1 : Removal and Installation

INFOID:000000008273627


REMOVAL

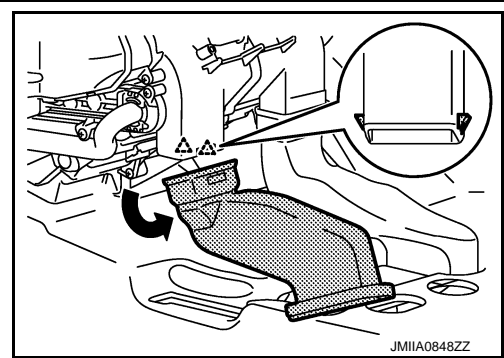
1. Remove center console assembly. Refer to [IP-22. "Removal and Installation"](#).

DUCT AND GRILLE

< REMOVAL AND INSTALLATION >

2. Disengage fixing pawls, and then remove rear heater duct 1. (Models for Canada only)

 : Pawl



INSTALLATION

Install in the reverse order of removal.

REAR HEATER DUCT 2

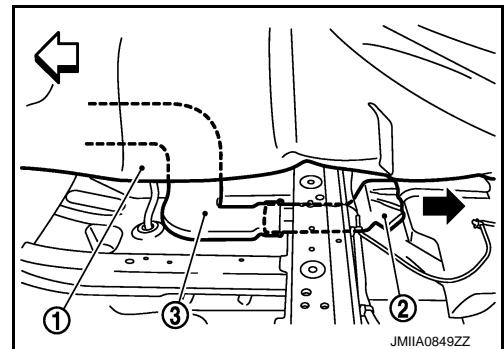
REAR HEATER DUCT 2 : Removal and Installation

INFOID:000000008273628

REMOVAL

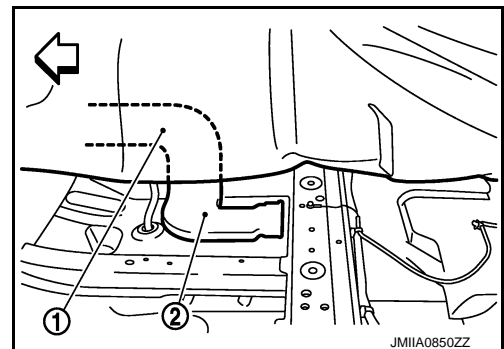
1. Remove center console assembly. Refer to [IP-22, "Removal and Installation"](#).
2. Remove front seat assembly. Refer to [SE-18, "Removal and Installation"](#).
3. Remove front kicking plate inner and rear kicking plate inner. Refer to [INT-18, "KICKING PLATE INNER : Removal and Installation"](#).
4. Remove center pillar lower garnish. Refer to [INT-21, "CENTER PILLAR LOWER GARNISH : Removal and Installation"](#).
5. Remove dash side finisher. Refer to [INT-20, "DASH SIDE FINISHER : Removal and Installation"](#).
6. Remove rear heater duct 2. (Models for Canada only)
 - Peel off floor carpet (1).
 - Remove rear heater duct 3 (2) from rear heater duct 2 (3).

 : Vehicle front



- Remove front floor spacer, and then remove rear heater duct 2 (2) from rear heater duct 1 (1).

 : Vehicle front



INSTALLATION

Install in the reverse order of removal.

REAR HEATER DUCT 3

REAR HEATER DUCT 3 : Removal and Installation

INFOID:000000008273629

REMOVAL

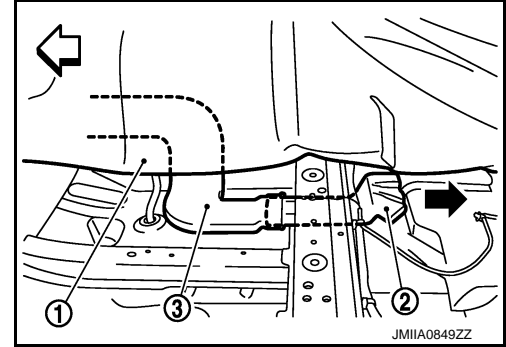
A
B
C
D
E
F
G
H
VTL
J
K
L
M
N
O
P

DUCT AND GRILLE

< REMOVAL AND INSTALLATION >

1. Remove center console assembly. Refer to [IP-22, "Removal and Installation"](#).
2. Remove front seat assembly. Refer to [SE-18, "Removal and Installation"](#).
3. Remove front kicking plate inner and rear kicking plate inner. Refer to [INT-18, "KICKING PLATE INNER : Removal and Installation"](#).
4. Remove center pillar lower garnish. Refer to [INT-21, "CENTER PILLAR LOWER GARNISH : Removal and Installation"](#).
5. Remove dash side finisher. Refer to [INT-20, "DASH SIDE FINISHER : Removal and Installation"](#).
6. Remove rear heater duct 3. (Models for Canada only)
 - Peel off floor carpet (1).
 - Remove rear floor spacer, and then remove rear heater duct 3 (2) from rear heater duct 2 (3).

↔ : Vehicle front



INSTALLATION

Install in the reverse order of removal.

FOOT DUCT

FOOT DUCT : Removal and Installation

INFOID:000000008273630

REMOVAL

Driver Side

1. Remove instrument lower panel LH. Refer to [IP-12, "Removal and Installation"](#).
2. Disconnect harness connector.
3. Remove harness connector fixing clamp.
4. Remove fixing screws, and then remove foot duct LH.

Passenger Side

1. Remove glove box assembly. Refer to [IP-12, "Removal and Installation"](#).
2. Remove fixing screws, and then remove foot duct RH.

INSTALLATION

Install in the reverse order of removal.

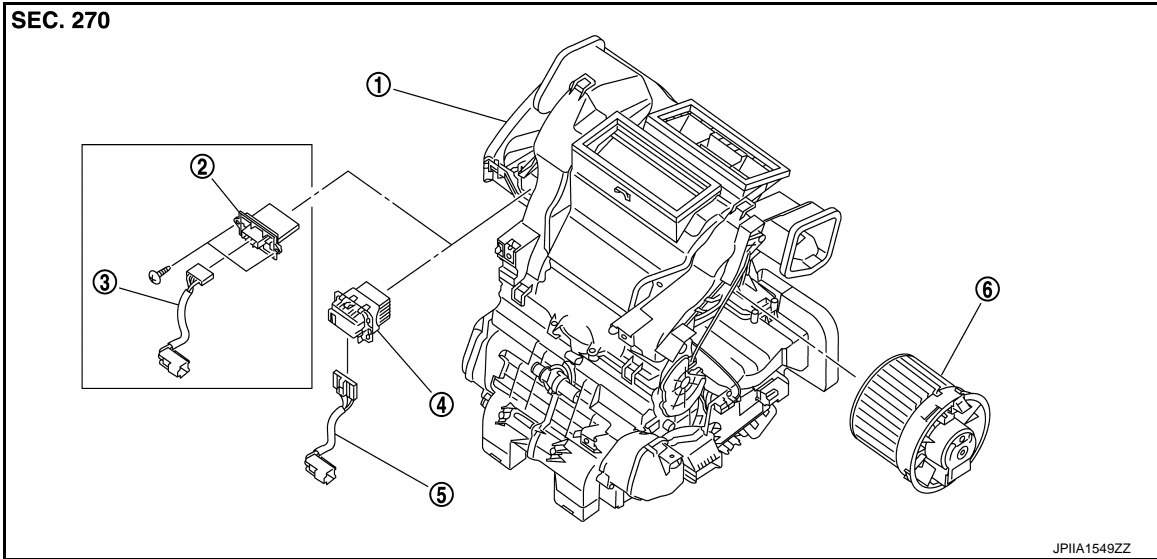
BLOWER MOTOR

< REMOVAL AND INSTALLATION >

BLOWER MOTOR

Exploded View

INFOID:000000008273631



- | | | |
|-----------------------------------|--------------------------------------|------------------------------|
| 1. A/C unit assembly | 2. Blower fan resistor* ¹ | 3. Sub harness* ¹ |
| 4. Power transistor* ² | 5. Sub harness* ² | 6. Blower motor |

- *1: Manual air conditioning
- *2: Automatic air conditioning

Removal and Installation

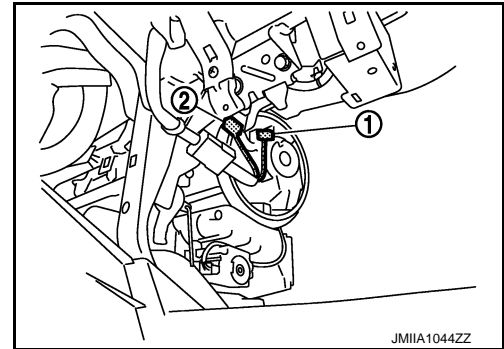
INFOID:000000008273632

WARNING:

- Before servicing, turn ignition switch OFF, disconnect battery negative terminal and wait 3 minutes or more.
- Always work from the side of air bag module. Never work in front of it.
- Never use the air tools or the electric tools for servicing.

REMOVAL

1. Remove glove box assembly. Refer to [IP-12, "Removal and Installation"](#).
2. Disconnect blower motor harness connector (1) and front passenger air bag module harness connector (2).



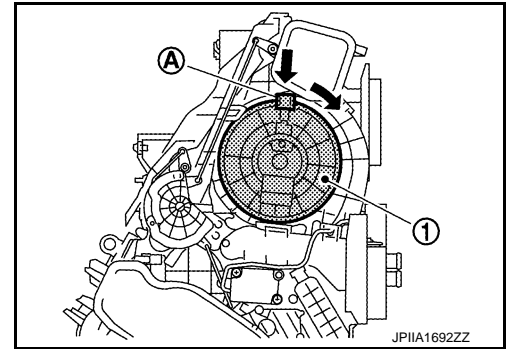
3. Remove front passenger air bag module. Refer to [SR-16, "Removal and Installation"](#).

A
B
C
D
E
F
G
H
VTL
J
K
L
M
N
O
P

BLOWER MOTOR

< REMOVAL AND INSTALLATION >

4. Press flange holding hook (A), and then turn blower motor (1) clockwise.



5. Pull outside, and then remove blower motor.

INSTALLATION

Note the following items, and then install in the reverse order of removal.

CAUTION:

- Never use the old mounting bolts after removal, replace with the new bolts.
- Never damage the harness while installing.
- If malfunction is detected by the air bag warning lamp, after repair or replacement of the malfunctioning parts, reset the memory using self-diagnosis or CONSULT-III. Refer to [SRC-11, "On Board Diagnosis Function"](#) or [SRC-16, "CONSULT Function"](#).
- After the work is completed, check that no system malfunction is detected by air bag warning lamp.

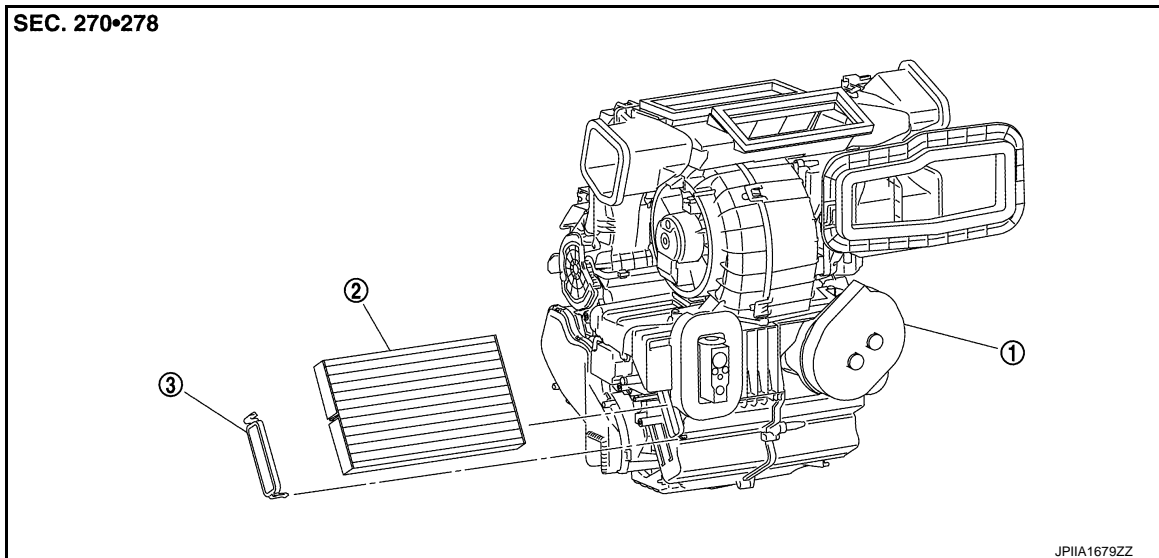
IN-CABIN MICROFILTER

< REMOVAL AND INSTALLATION >

IN-CABIN MICROFILTER

Exploded View

INFOID:000000008273633



1. A/C unit assembly

2. In-cabin microfilter

3. Filter cover

Removal and Installation

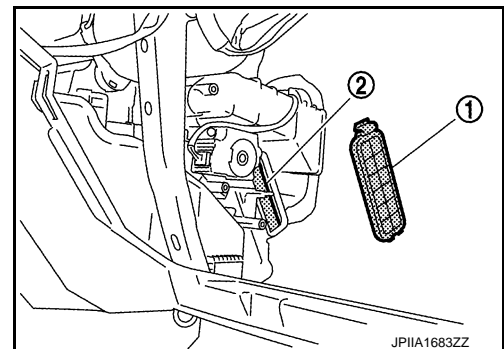
INFOID:000000008273634

REMOVAL

1. Remove glove box assembly. Refer to [IP-12, "Removal and Installation"](#).
2. Remove filter cover (1), and then remove in-cabin microfilter (2).

CAUTION:

If the filter is deformed/damaged when removing, replace it with a new one. Deformed/damaged filter may deteriorate the dust collecting performance.



INSTALLATION

Note the following item, and then install in the reverse order of removal.

CAUTION:

When installing, handle the filter with extreme care to avoid deforming/damaging.

Replacement

INFOID:000000008273635

Replace In-cabin microfilter.

Refer to [VTL-16, "In-cabin microfilter"](#).

SERVICE DATA AND SPECIFICATIONS (SDS)

< SERVICE DATA AND SPECIFICATIONS (SDS)

SERVICE DATA AND SPECIFICATIONS (SDS)

SERVICE DATA AND SPECIFICATIONS (SDS)

In-cabin microfilter

INFOID:000000008273636

Replacement interval	MA-6. "Schedule 1" and MA-8. "Schedule 2"
----------------------	---