

# SECTION **STC**

## STEERING CONTROL SYSTEM

A  
B  
C  
D  
E  
F  
**STC**  
H  
I  
J  
K  
L  
M  
N  
O  
P

### CONTENTS

<b>PRECAUTION</b> .....	3	<b>ELECTRONICALLY CONTROLLED POWER STEERING SYSTEM</b> .....	14
<b>PRECAUTIONS</b> .....	3	Wiring Diagram .....	14
Precaution for Supplemental Restraint System (SRS) "AIR BAG" and "SEAT BELT PRE-TENSIONER" .....	3	<b>BASIC INSPECTION</b> .....	17
Precautions for Removing Battery Terminal .....	3	<b>DIAGNOSIS AND REPAIR WORKFLOW</b> .....	17
Service Notice or Precautions for EPS System .....	3	Work Flow .....	17
<b>SYSTEM DESCRIPTION</b> .....	5	Diagnostic Work Sheet .....	18
<b>COMPONENT PARTS</b> .....	5	<b>DTC/CIRCUIT DIAGNOSIS</b> .....	20
Component Parts Location .....	5	<b>C1601 BATTERY POWER SUPPLY</b> .....	20
Component Description .....	5	DTC Logic .....	20
EPS Control Unit .....	6	Diagnosis Procedure .....	20
EPS Motor .....	6	<b>C1604 TORQUE SENSOR</b> .....	22
Torque Sensor .....	6	DTC Logic .....	22
Reduction Gear .....	6	Diagnosis Procedure .....	22
<b>SYSTEM</b> .....	7	<b>C1606 EPS MOTOR</b> .....	23
<b>EPS SYSTEM</b> .....	7	DTC Logic .....	23
EPS SYSTEM : System Description .....	7	Diagnosis Procedure .....	23
EPS SYSTEM : Fail-Safe .....	8	<b>C1607, C1608 EPS CONTROL UNIT</b> .....	24
EPS SYSTEM : Protection Function .....	8	DTC Logic .....	24
<b>DIAGNOSIS SYSTEM (EPS CONTROL UNIT)</b> .....	9	Diagnosis Procedure .....	24
CONSULT Function .....	9	<b>C1609 VEHICLE SPEED SIGNAL</b> .....	25
<b>ECU DIAGNOSIS INFORMATION</b> .....	11	DTC Logic .....	25
<b>EPS CONTROL UNIT</b> .....	11	Diagnosis Procedure .....	25
Reference Value .....	11	<b>U1000 CAN COMM CIRCUIT</b> .....	26
Fail-Safe .....	12	Description .....	26
Protection Function .....	12	DTC Logic .....	26
DTC Inspection Priority Chart .....	12	Diagnosis Procedure .....	26
DTC Index .....	13	<b>EPS WARNING LAMP</b> .....	27
<b>WIRING DIAGRAM</b> .....	14	Component Function Check .....	27
		Diagnosis Procedure .....	27
		<b>SYMPTOM DIAGNOSIS</b> .....	28

---

<b>EPS WARNING LAMP DOES NOT TURN ON..</b> 28	<b>UNBALANCE STEERING WHEEL TURNING</b>
Description ..... 28	<b>FORCE AND RETURN BETWEEN RIGHT</b>
Diagnosis Procedure ..... 28	<b>AND LEFT</b> ..... 32
<b>EPS WARNING LAMP DOES NOT TURN</b>	Description ..... 32
<b>OFF</b> ..... 29	Diagnosis Procedure ..... 32
Description ..... 29	<b>UNBALANCE STEERING WHEEL TURNING</b>
Diagnosis Procedure ..... 29	<b>FORCE (TORQUE VARIATION)</b> ..... 33
<b>STEERING WHEEL TURNING FORCE IS</b>	Description ..... 33
<b>HEAVY OR LIGHT</b> ..... 30	Diagnosis Procedure ..... 33
Description ..... 30	<b>REMOVAL AND INSTALLATION</b> ..... 35
Diagnosis Procedure ..... 30	<b>EPS CONTROL UNIT</b> ..... 35
	Removal and Installation ..... 35

# PRECAUTIONS

< PRECAUTION >

## PRECAUTION

### PRECAUTIONS

#### Precaution for Supplemental Restraint System (SRS) "AIR BAG" and "SEAT BELT PRE-TENSIONER"

INFOID:000000011462123

The Supplemental Restraint System such as "AIR BAG" and "SEAT BELT PRE-TENSIONER", used along with a front seat belt, helps to reduce the risk or severity of injury to the driver and front passenger for certain types of collision. This system includes seat belt switch inputs and dual stage front air bag modules. The SRS system uses the seat belt switches to determine the front air bag deployment, and may only deploy one front air bag, depending on the severity of a collision and whether the front occupants are belted or unbelted. Information necessary to service the system safely is included in the "SRS AIR BAG" and "SEAT BELT" of this Service Manual.

#### **WARNING:**

Always observe the following items for preventing accidental activation.

- To avoid rendering the SRS inoperative, which could increase the risk of personal injury or death in the event of a collision that would result in air bag inflation, all maintenance must be performed by an authorized NISSAN/INFINITI dealer.
- Improper maintenance, including incorrect removal and installation of the SRS, can lead to personal injury caused by unintentional activation of the system. For removal of Spiral Cable and Air Bag Module, see "SRS AIR BAG".
- Never use electrical test equipment on any circuit related to the SRS unless instructed to in this Service Manual. SRS wiring harnesses can be identified by yellow and/or orange harnesses or harness connectors.

#### PRECAUTIONS WHEN USING POWER TOOLS (AIR OR ELECTRIC) AND HAMMERS

#### **WARNING:**

Always observe the following items for preventing accidental activation.

- When working near the Air Bag Diagnosis Sensor Unit or other Air Bag System sensors with the ignition ON or engine running, never use air or electric power tools or strike near the sensor(s) with a hammer. Heavy vibration could activate the sensor(s) and deploy the air bag(s), possibly causing serious injury.
- When using air or electric power tools or hammers, always switch the ignition OFF, disconnect the battery, and wait at least 3 minutes before performing any service.

#### Precautions for Removing Battery Terminal

INFOID:000000011462124

- When removing the 12V battery terminal, turn OFF the ignition switch and wait at least 30 seconds.

#### **NOTE:**

ECU may be active for several tens of seconds after the ignition switch is turned OFF. If the battery terminal is removed before ECU stops, then a DTC detection error or ECU data corruption may occur.

- For vehicles with the 2-batteries, be sure to connect the main battery and the sub battery before turning ON the ignition switch.

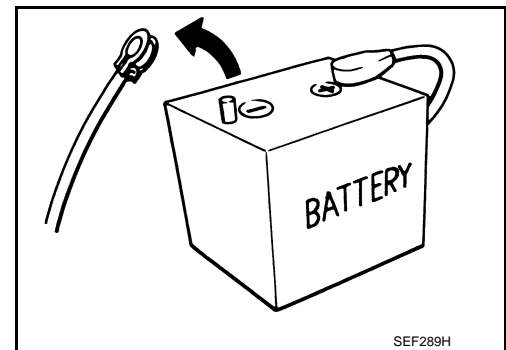
#### **NOTE:**

If the ignition switch is turned ON with any one of the terminals of main battery and sub battery disconnected, then DTC may be detected.

- After installing the 12V battery, always check "Self Diagnosis Result" of all ECUs and erase DTC.

#### **NOTE:**

The removal of 12V battery may cause a DTC detection error.



#### Service Notice or Precautions for EPS System

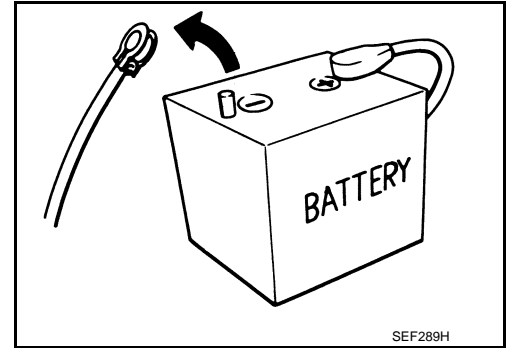
INFOID:000000011462125

- Check the following item when performing the trouble diagnosis.
  - Check any possible causes by interviewing the symptom and it's condition from the customer if any malfunction, such as EPS warning lamp is turned ON, occurs.

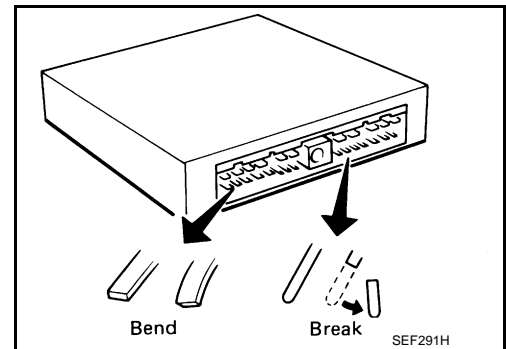
# PRECAUTIONS

## < PRECAUTION >

- Check if air pressure and size of tires are proper, the specified part is used for the steering wheel, and control unit is genuine part.
- Check if the connection of steering column assembly and steering gear assembly is proper (there is not looseness of mounting bolts, damage of rods, boots or sealants, and leakage of grease, etc).
- Check if the wheel alignment is adjusted properly.
- Check if there is any damage or modification to suspension or body resulting in increased weight or altered ground clearance.
- Check if installation conditions of each link and suspension are proper.
- Check if the battery voltage is proper.
- Check connection conditions of each connector are proper.
- Before connecting or disconnecting the EPS control unit harness connector, turn ignition switch "OFF" and disconnect battery ground cable. Because battery voltage is applied to EPS control unit even if ignition switch is turned "OFF".



- When connecting or disconnecting pin connectors into or from EPS control unit, take care not to damage pin terminals (bend or break).
- When connecting pin connectors, make sure that there are no bends or breaks on EPS control unit pin terminal.
- During quick steering, rasping noise may be heard from around the steering wheel. This is not a malfunction. The noise is an operating noise of the EPS system under normal conditions. If the rasping noise occurs during slow steering, this may not be an operating noise of the system. In this case, it is necessary to find out the location of the noise and repair, if necessary.



# COMPONENT PARTS

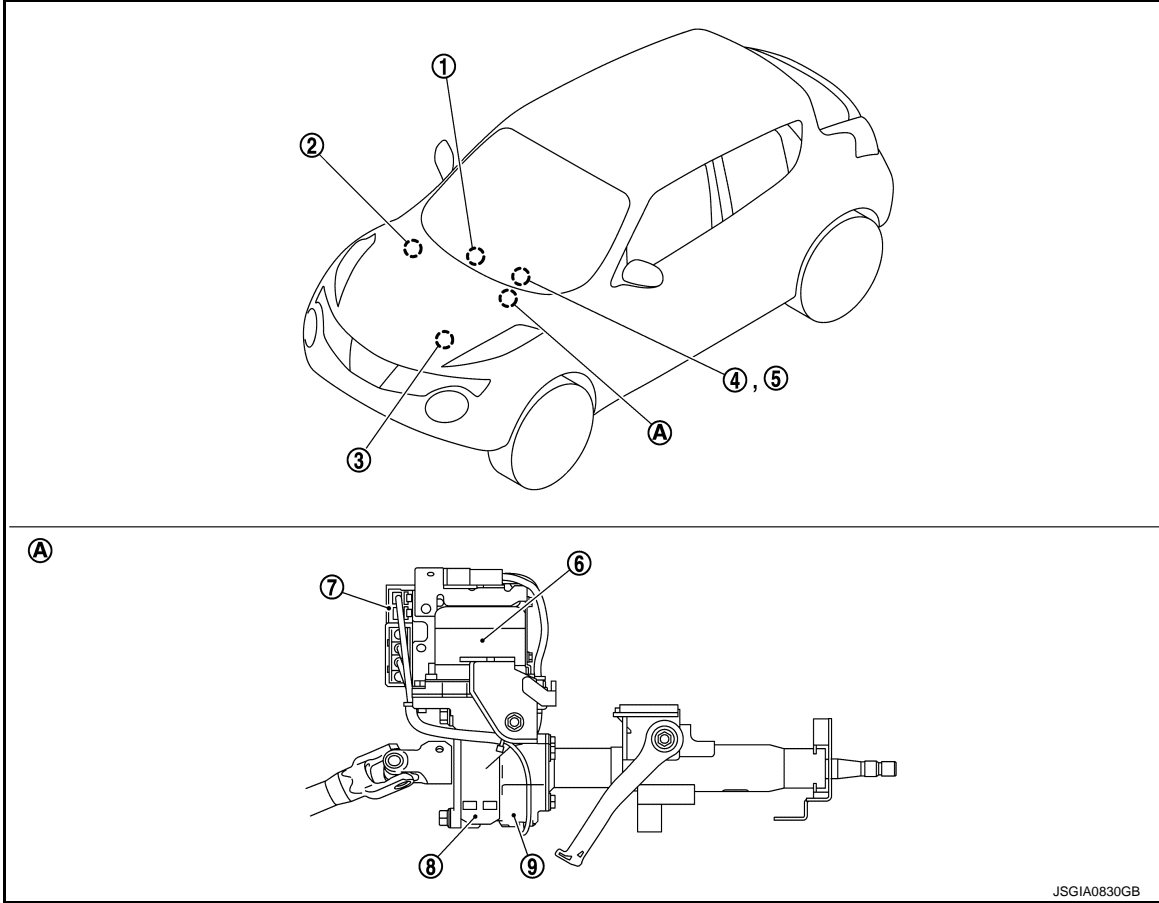
< SYSTEM DESCRIPTION >

## SYSTEM DESCRIPTION

### COMPONENT PARTS

#### Component Parts Location

INFOID:000000011462126



JSGIA0830GB

- |   |  |  |
|---|--|--|
| 1. Multi display unit*<br>Refer to <a href="#">DMS-3, "Component Parts Location"</a> .              | 2. ABS actuator and electric unit (control unit)<br>Refer to <a href="#">BRC-9, "Component Parts Location"</a> | 3. ECM<br>Refer to <a href="#">EC-26, "ENGINE CONTROL SYSTEM : Component Parts Location"</a> |
| 4. Combination meter<br>Refer to <a href="#">MWI-5, "METER SYSTEM : Component Parts Location"</a> . | 5. EPS warning lamp<br>(In combination meter)  | 6. EPS motor   |
| 7. EPS control unit   | 8. Reduction gear  | 9. Torque sensor   |
| A. Steering column assembly   |  |  |

\*: Models with Integrated Control System

#### Component Description

INFOID:000000011462127

Components parts	Reference
EPS control unit	<a href="#">STC-6, "EPS Control Unit"</a>
EPS motor	<a href="#">STC-6, "EPS Motor"</a>
Torque sensor	<a href="#">STC-6, "Torque Sensor"</a>
Reduction gear	<a href="#">STC-6, "Reduction Gear"</a>
EPS warning lamp	<a href="#">STC-7, "EPS SYSTEM : System Description"</a>

# COMPONENT PARTS

## < SYSTEM DESCRIPTION >

Components parts	Reference
ECM	<ul style="list-style-type: none"> <li>• Transmits mainly the following signals to EPS control unit via CAN communication.</li> <li>- Engine status signal</li> </ul>
ABS actuator and electric unit (control unit)	<ul style="list-style-type: none"> <li>• Transmits mainly the following signal to EPS control unit via CAN communication.</li> <li>- Vehicle speed signal</li> </ul>
Combination meter	<ul style="list-style-type: none"> <li>• Transmits mainly the following signal to EPS control unit via CAN communication.</li> <li>- Vehicle speed signal</li> <li>• Turns ON the EPS warning lamp according to the signal from EPS control unit via CAN communication.</li> </ul>
Multi display unit*	<ul style="list-style-type: none"> <li>• Transmits mainly the following signals to EPS control unit via CAN communication.</li> <li>- ECO mode signal</li> <li>- NORMAL mode signal</li> <li>- SPORT mode signal</li> </ul>

\*: Models with Integrated Control System

### EPS Control Unit

INFOID:000000011462128

- EPS control unit performs an arithmetical operation on data, such as steering wheel turning force (sensor signal) from the torque sensor, vehicle speed signal, etc. Then it generates an optimum assist torque signal to the EPS motor according to the driving condition.
- EPS control unit decreases the output signal to EPS motor while extremely using the power steering function (e.g., full steering) consecutively for protecting EPS motor and EPS control unit (Overload protection control).
- In SPORT mode, changes the steering assist characteristic to enhance a stable steering feel according to the mode signals from multi display unit via CAN communication. (Models with Integrated Control System)

### EPS Motor

INFOID:000000011462129

EPS motor provides the assist torque by the control signal from EPS control unit.

### Torque Sensor

INFOID:000000011462130

Torque sensor detects the steering torque, and transmit the signal to EPS control unit.

### Reduction Gear

INFOID:000000011462131

Reduction gear increases the assist torque provided from EPS motor with worm gears, and outputs to the column shaft.

# SYSTEM

< SYSTEM DESCRIPTION >

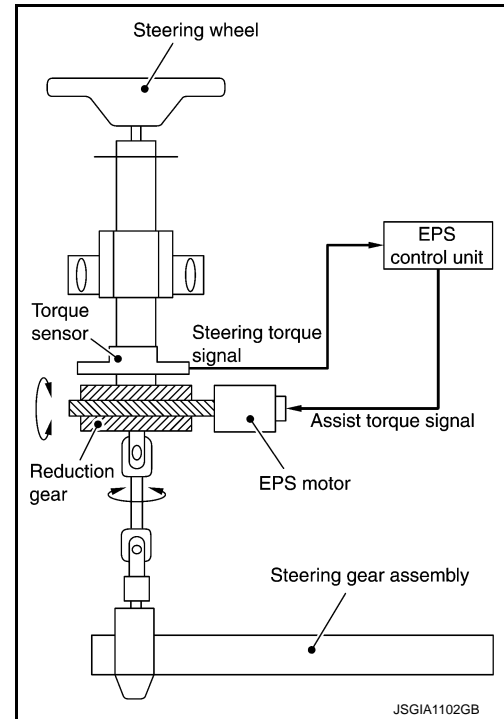
## SYSTEM

### EPS SYSTEM

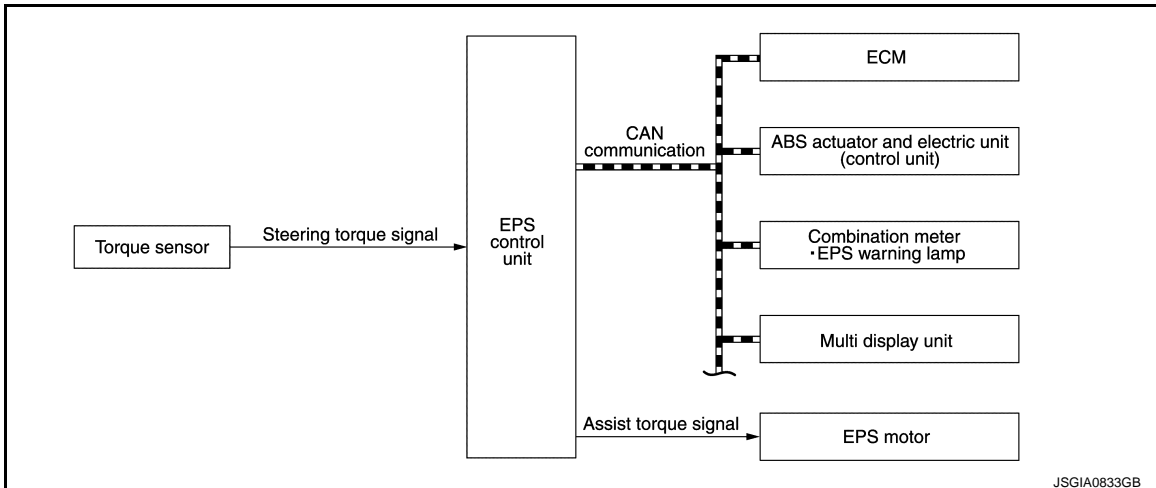
#### EPS SYSTEM : System Description

INFOID:000000011462132

- EPS control unit performs an arithmetical operation on data, such as steering wheel turning force (sensor signal) from the torque sensor, vehicle speed signal, etc. Then it generates an optimum assist torque signal to the EPS motor according to the driving condition.
- In case of an error in the electrical system, the fail-safe function stops output signals to the EPS motor. Refer to [STC-8. "EPS SYSTEM : Fail-Safe"](#).
- EPS control unit decreases the output signal to EPS motor while extremely using the power steering function (e.g., full steering) consecutively for protecting EPS motor and EPS control unit (Overload protection control). Refer to [STC-8. "EPS SYSTEM : Protection Function"](#).
- Extensive steering at low speed will cause the EPS control unit and EPS motor to heat up, once temperature reaches critical point EPS control unit will reduce current to reduce heat up. System will recover as temperature lowers (reduced or no assistance).
- In SPORT mode, changes the steering assist characteristic to enhance a stable steering feel according to the mode signals from multi display unit via CAN communication. (Models with Integrated Control System)



#### SYSTEM DIAGRAM



Multi display unit is applied to models with Integrated Control System.

#### INPUT/OUTPUT SIGNAL

Communicates the signal from each control unit via CAN communication.

Control unit	Signal status
ECM	<ul style="list-style-type: none"> <li>• Transmits mainly the following signals to EPS control unit via CAN communication.</li> <li>- Engine status signal</li> </ul>
ABS actuator and electric unit (control unit)	<ul style="list-style-type: none"> <li>• Transmits mainly the following signals to EPS control unit via CAN communication.</li> <li>- Vehicle speed signal</li> </ul>

# SYSTEM

## < SYSTEM DESCRIPTION >

Control unit	Signal status
Combination meter	<ul style="list-style-type: none"> <li>• Transmits mainly the following signals to EPS control unit via CAN communication.</li> <li>- Vehicle speed signal</li> <li>• Receives mainly the following signals from EPS control unit via CAN communication.</li> <li>- EPS warning lamp signal</li> </ul>
Multi display unit*	<ul style="list-style-type: none"> <li>• Transmits mainly the following signals to EPS control unit via CAN communication.</li> <li>- ECO mode signal</li> <li>- NORMAL mode signal</li> <li>- SPORT mode signal</li> </ul>

\*: Models with Integrated Control System

### EPS WARNING LAMP INDICATION

- Turn ON when there is a malfunction in EPS system. If indicates that fail-safe mode is engaged and enters a manual steering state (Control turning force steering wheel becomes heavy).
- Also turns ON when ignition switch is turned ON, for purpose of lamp check. Turns OFF after the engine starts, if system is normal.

Condition	EPS warning lamp
Ignition switch ON. (Lamp check)	ON
Engine running.	OFF
EPS system malfunction [Other diagnostic item]	ON

### CAUTION:

**EPS warning lamp also turns ON due to data reception error, CAN communication error etc.**

### EPS SYSTEM : Fail-Safe

INFOID:000000011462133

- If any malfunction occurs in the system, and control unit detects the malfunction, EPS warning lamp on combination meter turns ON to indicate system malfunction.
- When EPS warning lamp is ON, enters into a manual steering state. (Control turning force steering wheel becomes heavy.)

### EPS SYSTEM : Protection Function

INFOID:000000011462134

EPS control unit decreases the output signal to EPS motor while extremely using the power steering function (e.g., full steering) consecutively for protecting EPS motor and EPS control unit (Overload protection control). While activating overload protection control, the assist torque gradually decreases, and the steering wheel turning force becomes heavy. The normal assist torque is recovered if the steering wheel is not turned for a while.



# DIAGNOSIS SYSTEM (EPS CONTROL UNIT)

< SYSTEM DESCRIPTION >

## DIAGNOSIS SYSTEM (EPS CONTROL UNIT)

### CONSULT Function

INFOID:000000011462135

#### FUNCTION

CONSULT can display each diagnostic item using the diagnostic test modes shown following.

Diagnostic test mode	Function
ECU identification	The part number stored in the control unit can be read.
Self diagnostic result	Self-diagnostic results and freeze frame data can be read and erased quickly.*
Data monitor	Input/Output data in the EPS control unit can be read.

\*: The following diagnosis information is erased by erasing.

- DTC
- Freeze frame data (FFD)

#### ECU IDENTIFICATION

Displays the part number stored in the control unit.

#### SELF-DIAG RESULTS MODE

Refer to [STC-13, "DTC Index"](#).

When "CRNT" is displayed on self-diagnosis result.

- The system is presently malfunctioning.

When "PAST" is displayed on self-diagnosis result.

- System malfunction in the past is detected, but the system is presently normal.

#### FREEZE FRAME DATA (FFD)

The following vehicle status is recorded when DTC is detected and is displayed on CONSULT.

Item name	Display item
IGN COUNTER (0 – 39)	<p>The number of times that ignition switch is turned ON after the DTC is detected is displayed.</p> <ul style="list-style-type: none"> <li>• When "0" is displayed: It indicates that the system is presently malfunctioning.</li> <li>• When except "0" is displayed: It indicates that system malfunction in the past is detected, but the system is presently normal.</li> </ul> <p><b>NOTE:</b> Each time when ignition switch is turned OFF to ON, numerical number increases in 1→2→3...38→39. When the operation number of times exceeds 39, the number do not increase and "39" is displayed until self-diagnosis is erased.</p>

#### DATA MONITOR MODE

##### NOTE:

The following table includes information (items) inapplicable to this vehicle. For information (items) applicable to this vehicle, refer to CONSULT display items.

Monitor item (Unit)	Remarks
BATTERY VOLT (V)	Displays the power supply voltage for EPS control unit.
TORQUE SENSOR (Nm)	Displays steering wheel turning force detected by torque sensor.
MOTOR CURRENT (A)	Displays the current value consumed by EPS motor.* <sup>1</sup>
MOTOR SIG (A)	Displays the current commanded value to EPS motor.
ASSIST TORQUE (Nm)	Displays assist torque of EPS motor being output by the electric power steering.
C/U TEMP (°C) or (°F)	Displays the temperature of the EPS control unit.
ASSIST LEVEL (%)	Normally displays 100%. In case of an excessive stationary steering, the assist curvature gradually falls. However, it return to 100% when left standing.* <sup>2</sup>
VEHICLE SPEED (km/h) or (MPH)	Vehicle speed is displayed from vehicle speed signal via CAN communication.* <sup>3</sup>
WARNING LAMP (On/Off)	EPS warning lamp control status is displayed.

## DIAGNOSIS SYSTEM (EPS CONTROL UNIT)

### < SYSTEM DESCRIPTION >

Monitor item (Unit)	Remarks
ENGINE STATUS (Stop/Run)	Engine speed is displayed from engine status signal via CAN communication.
STEERING MODE (NORMAL/SPORT)*4	Display the driving mode of Integrated Control System received through CAN communication.

\*1: Almost in accordance with the value of "MOTOR SIG". It is not a malfunction though these values are not accorded when steering quickly.

\*2: Normally displays 100%. In case of an excessive stationary steering, the assist curvature gradually falls. However, it returns to 100% when left standing.

\*3: It is not a malfunction, though it might not be corresponding just after ignition switch in turned ON.

\*4: Displays NORMAL in models without Integrated Control System.

# EPS CONTROL UNIT

< ECU DIAGNOSIS INFORMATION >

## ECU DIAGNOSIS INFORMATION

### EPS CONTROL UNIT

Reference Value

INFOID:0000000011462136

VALUES ON THE DIAGNOSIS TOOL

#### CAUTION:

The output signal indicates the EPS control unit calculation data. The normal values will be displayed even in the event that the output circuit (harness) is open.

#### NOTE:

The following table includes information (items) inapplicable to this vehicle. For information (items) applicable to this vehicle, refer to CONSULT display items.

Monitor item	Data monitor	
	Condition	Display value
BATTERY VOLT	Ignition switch: ON	
TORQUE SENSOR	Engine running	Steering wheel: Not steering (There is no steering force)
		Steering wheel: Right turn
		Steering wheel: Left turn
MOTOR CURRENT	Engine running	Steering wheel: Not steering (There is no steering force)
		Steering wheel: Right or left turn
MOTOR SIG	Engine running	Steering wheel: Not steering (There is no steering force)
		Steering wheel: Right turn
		Steering wheel: Left turn
ASSIST TORQUE	Engine running	Steering wheel: Not steering (There is no steering force)
		Steering wheel: Right or left turn
C/U TEMP	Ignition switch ON or engine running	
ASSIST LEVEL	Engine running	
VEHICLE SPEED	Vehicle stopped	
	While driving	
WARNING LAMP	EPS warning lamp: ON	
	EPS warning lamp: OFF	
ENGINE STATUS	Engine not running	
	Engine running	
STEERING MODE <sup>*4</sup>	Engine running	Driving mode of Integrated Control System: Except SPORT
		Driving mode of Integrated Control System: SPORT

\*1: Almost in accordance with the value of "MOTOR SIG". It is not a malfunction though these values are not accorded when steering quickly.

\*2: Normally displays 100%. In case of an excessive stationary steering, the assist curvature gradually falls. However, it returns to 100% when left standing.

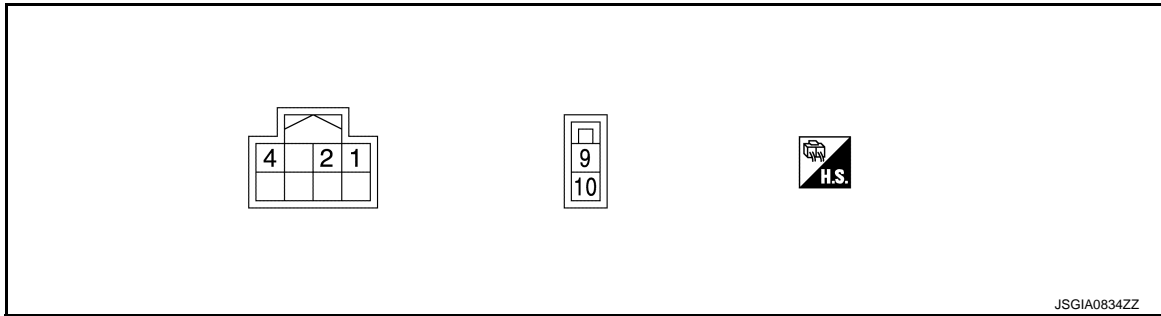
\*3: It is not a malfunction, though it might not be corresponding just after ignition switch in turned ON.

# EPS CONTROL UNIT

## < ECU DIAGNOSIS INFORMATION >

\*4: Displays NORMAL in models without Integrated Control System.

### TERMINAL LAYOUT



### PHYSICAL VALUES

Terminal No. (Wire Color)		Description		Condition	Value (Approx.)
+	-	Signal name	Input/Output		
1 (P)	—	CAN-L	Input/Output	—	—
2 (L)	—	CAN-H	Input/Output	—	—
4 (LG)	Ground	Ignition power supply	Input	Ignition switch: ON	9 – 18.2 V
				Ignition switch: OFF	0 V
9 (R)	Ground	Battery power supply	Input	Always	9 – 18.2 V
10 (B)	Ground	Ground	—	Always	0 V

### Fail-Safe

INFOID:0000000011462137

- If any malfunction occurs in the system, and control unit detects the malfunction, EPS warning lamp on combination meter turns ON to indicate system malfunction.
- When EPS warning lamp is ON, enters into a manual steering state. (Control turning force steering wheel becomes heavy.)

### Protection Function

INFOID:0000000011462138

EPS control unit decreases the output signal to EPS motor while extremely using the power steering function (e.g., full steering) consecutively for protecting EPS motor and EPS control unit (Overload protection control). While activating overload protection control, the assist torque gradually decreases, and the steering wheel turning force becomes heavy. The normal assist torque is recovered if the steering wheel is not turned for a while.

### DTC Inspection Priority Chart

INFOID:0000000011462139

When multiple DTCs are detected simultaneously, check one by one depending on the following priority list.

Priority	Priority order item (DTC)
1	U1000 CAN COMM CIRCUIT
2	C1609 VEHICLE SPEED SIGNAL
3	C1601 BATTERY POWER SUPPLY
4	Other than the above

# EPS CONTROL UNIT

< ECU DIAGNOSIS INFORMATION >

## DTC Index

INFOID:000000011462140

DTC	Items (CONSULT screen terms)	Reference
C1601	BATTERY VOLT	<a href="#">STC-20, "DTC Logic"</a>
C1604	TORQUE SENSOR	<a href="#">STC-22, "DTC Logic"</a>
C1606	EPS MOTOR	<a href="#">STC-23, "DTC Logic"</a>
C1607	EEPROM	<a href="#">STC-24, "DTC Logic"</a>
C1608	CONTROL UNIT	<a href="#">STC-24, "DTC Logic"</a>
C1609	CAN VHCL SPEED	<a href="#">STC-25, "DTC Logic"</a>
U1000	CAN COMM CIRCUIT	<a href="#">STC-26, "DTC Logic"</a>

A

B

C

D

E

F

**STC**

H

I

J

K

L

M

N

O

P

# ELECTRONICALLY CONTROLLED POWER STEERING SYSTEM

< WIRING DIAGRAM >

## WIRING DIAGRAM

### ELECTRONICALLY CONTROLLED POWER STEERING SYSTEM

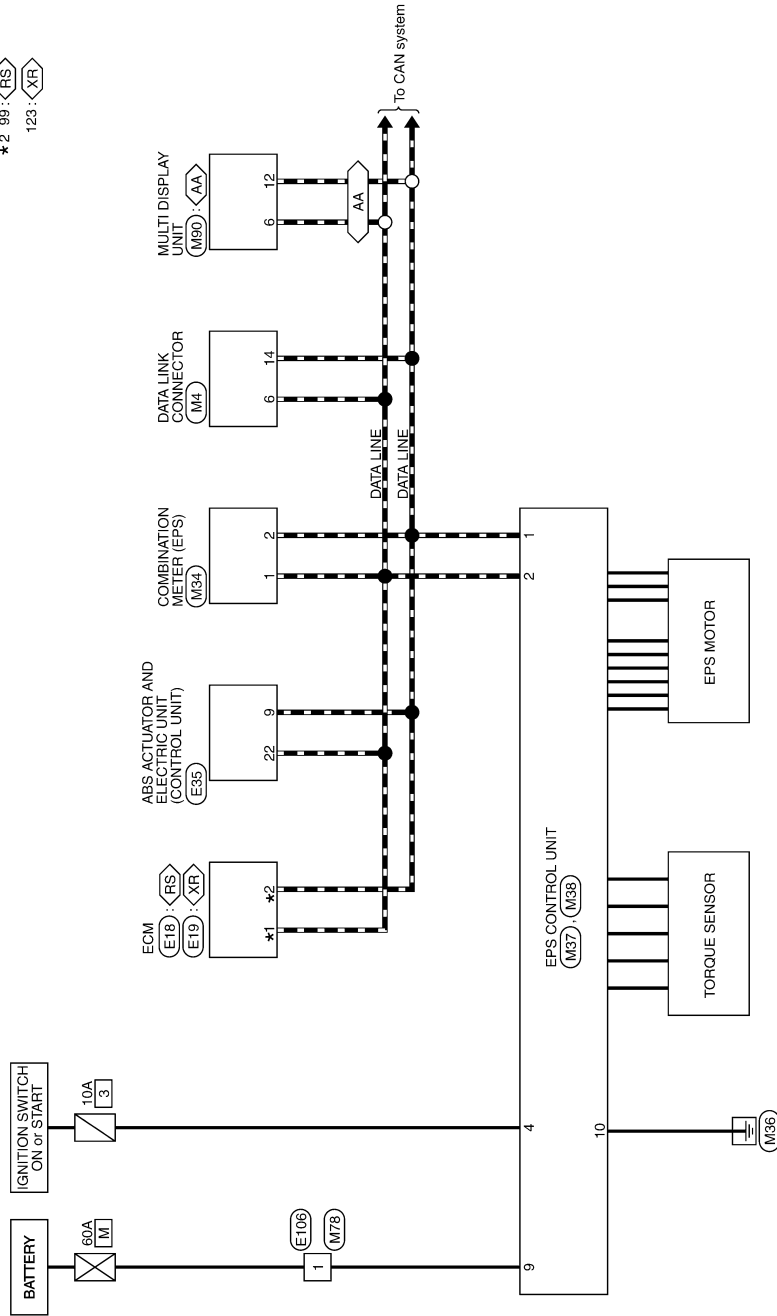
Wiring Diagram

INFOID:000000011462141

#### ELECTRONICALLY CONTROLLED POWER STEERING SYSTEM

◊AA◊ : With automatic A/C  
 ◊RS◊ : For NISMO RS models  
 ◊XF◊ : Except for NISMO RS models

\*1 100 ◊RS◊  
 124 ◊XF◊  
 \*2 99 ◊RS◊  
 123 ◊XF◊



2014/09/22

JRGWC1861GB

# ELECTRONICALLY CONTROLLED POWER STEERING SYSTEM

< WIRING DIAGRAM >

## ELECTRONICALLY CONTROLLED POWER STEERING SYSTEM

Connector No.	E18
Connector Name	ECM
Connector Type	RH24CY-R2R-R-RH



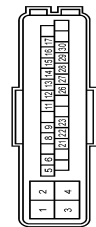
Terminal No.	Color Of Wire	Signal Name [Specification]
99	P	CAN COMMUNICATION LINE (CAN-L)
100	P	CAN COMMUNICATION LINE (CAN-H)
101	V	SENSOR POWER SUPPLY
102	R	ACCELERATOR PEDAL POSITION SENSOR 1
103	BR	PNP SIGNAL
104	R	DATA LINK CONNECTOR
105	GR	SENSOR GROUND
106	Y	POWER SUPPLY FOR ECM (BACKUP)
108	GR	CLUTCH PEDAL POSITION SWITCH
109	O	IGNITION SWITCH
110	P	ASCOD STEERING SWITCH
111	B	SENSOR GROUND
112	BR	ECM RELAY (SELF SHUT-OFF)
115	R	STOP LAMP SWITCH
116	G	BRAKE PEDAL POSITION SWITCH
117	W	POWER SUPPLY FOR ECM
118	O	SENSOR POWER SUPPLY
119	O	ACCELERATOR PEDAL POSITION SENSOR 2
120	Y	SENSOR GROUND
121	G	POWER SUPPLY FOR ECM
122	G	THROTTLE CONTROL MOTOR POWER SUPPLY
123	GR	ECM GROUND
124	GR	ECM GROUND
125	L	A/F SENSOR 1 HEATER
126	W	HEATED OXYGEN SENSOR 2 HEATER
127	GR	ECM GROUND

Connector No.	E19
Connector Name	ECM
Connector Type	RH24FB-R2B-L-LH



Terminal No.	Color Of Wire	Signal Name [Specification]
121	B	EVAP CONTROL SYSTEM PRESSURE SENSOR
122	D	EVAP CONTROL SYSTEM PRESSURE SENSOR
123	L	CAN COMMUNICATION LINE (CAN-H)
124	G	SENSOR POWER SUPPLY
125	G	SENSOR POWER SUPPLY
128	SB	FUEL TANK TEMPERATURE SENSOR
132	GR	CLUTCH PEDAL POSITION SWITCH
133	LG	IGNITION SWITCH
134	P	ASCOD STEERING SWITCH
135	B	SENSOR GROUND
139	R	STOP LAMP SWITCH
140	G	BRAKE PEDAL POSITION SWITCH
141	L	EVAP GANISTER VENT CONTROL VALVE
142	O	SENSOR POWER SUPPLY
143	W	ACCELERATOR PEDAL POSITION SENSOR 2
144	G	SENSOR GROUND
146	G	POWER SUPPLY FOR ECM
147	GR	ECM GROUND
148	Y	SENSOR GROUND
149	GR	ECM GROUND
150	R	ACCELERATOR PEDAL POSITION SENSOR 1
151	GR	SENSOR GROUND
152	GR	ECM GROUND

Connector No.	E25
Connector Name	ABE ACTUATOR AND ELECTRIC INT (CONTROL UNIT)
Connector Type	RH28FB-H4L-JH



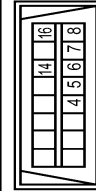
Terminal No.	Color Of Wire	Signal Name [Specification]
1	W	BAT (MTR)
2	B	STOP LAMP SW
3	B	GND (MTR)
4	B	GND (MTR)
5	R	VOC OFF SW
6	G	ASCOD CANCEL SW
8	R	STOP LAMP SW
9	P	CAN-L
11	BR	DP RR
12	W	DS FR
13	G	VOC
14	R	SERRAL+
15	Y	DS RR
16	V	IGN
17	W	REVERSE SIGNAL
22	L	CAN-H
23	LG	DP FL
26	G	RR LH SENS VB
27	BR	DS FL
28	B	GND
29	W	SERRAL-
30	BE	RR LH SENS SIG

Connector No.	E106
Connector Name	WIRE TO WIRE
Connector Type	U02FB-MC



Terminal No.	Color Of Wire	Signal Name [Specification]
1	R	-
2	W	-

Connector No.	M4
Connector Name	DATA LINK CONNECTOR
Connector Type	BD18FW



Terminal No.	Color Of Wire	Signal Name [Specification]
4	B	-
5	B	-
6	L	-
7	W	-
8	LG	-
14	P	-
16	Y	-

A  
B  
C  
D  
E  
F  
STC  
H  
I  
J  
K  
L  
M  
N  
O  
P

JRGWC1862GB

# ELECTRONICALLY CONTROLLED POWER STEERING SYSTEM

## < WIRING DIAGRAM >

### ELECTRONICALLY CONTROLLED POWER STEERING SYSTEM

Connector No.	M34
Connector Name	COMBINATION METER
Connector Type	TH40FW-NH



Connector No.	M37
Connector Name	EPS CONTROL UNIT
Connector Type	TH08FW-NH



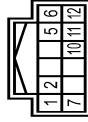
Terminal No.	Color Of Wire	Signal Name [Specification]
1	B	CAN-H
2	B	CAN-L
3	Y	VEHICLE SPEED SIGNAL (8-PULSE)
4	Y	PADDLE SHIFTER UP SWITCH SIGNAL
5	G	FUEL LEVEL SENSOR SIGNAL
6	BR	AIR BAG SIGNAL
7	R	SEAT BELT BUCKLE SWITCH SIGNAL (DRIVER SIDE)
8	P	PARKING BRAKE SWITCH SIGNAL
9	W	BRAKE FLUID LEVEL SWITCH SIGNAL
10	SB	ILLUMINATION CONTROL SIGNAL
11	G	MANUAL MODE SHIFT UP SIGNAL
12	GR	ACC POWER SUPPLY
13	GR	MANUAL MODE SHIFT DOWN SIGNAL
14	R	WASH/WIPER MOTOR SIGNAL
15	L	SECURITY SIGNAL
16	W	AMBIENT SENSOR SIGNAL
17	G	AMBIENT SENSOR GROUND
18	B	GROUND
19	GR	GROUND
20	R	GROUND
21	B	GROUND
22	B	GROUND
23	B	GROUND
24	L	FUEL LEVEL SENSOR GROUND
25	B	VDC GROUND
26	V	PADDLE SHIFTER DOWN SWITCH SIGNAL
27	LG	BATTERY POWER SUPPLY
28	GR	IGNITION SIGNAL
29	V	PASSENGER SEAT BELT WARNING SIGNAL
30	P	A/C AUTO AMP CORRECTION/REGULATOR SIGNAL
31	Y	AIR FLOW METER SIGNAL
32	Y	NON-MANUAL MODE SIGNAL
33	G	ALTERNATOR SIGNAL
34	P	ALTERNATOR SIGNAL

Connector No.	M78
Connector Name	WIRE TO WIRE
Connector Type	LC2MB-MC



Terminal No.	Color Of Wire	Signal Name [Specification]
1	W	
2	W	

Connector No.	M90
Connector Name	MULTI DISPLAY UNIT
Connector Type	TH12FW-NH



Terminal No.	Color Of Wire	Signal Name [Specification]
1	Y	BATTERY POWER SUPPLY
2	V	ILLUMINATION SIGNAL
5	GR	ILLUMINATION SIGNAL GROUND
6	L	CAN-H
7	LG	IGNITION SIGNAL
10	B	GND
11	B	GND
12	P	CAN-L

Terminal No.	Color Of Wire	Signal Name [Specification]
9	R	BAT
10	B	GND



Terminal No.	Color Of Wire	Signal Name [Specification]
1	L	CAN-L
2	L	CAN-H
4	LG	IGN

Connector No.	M38
Connector Name	EPS CONTROL UNIT
Connector Type	LU2FB-MC



JRGWC1863GB



# DIAGNOSIS AND REPAIR WORKFLOW

< BASIC INSPECTION >

## BASIC INSPECTION

### DIAGNOSIS AND REPAIR WORKFLOW

Work Flow

INFOID:000000011462142

DETAILED FLOW

#### 1. INTERVIEW FROM THE CUSTOMER

Clarify customer complaints before inspection. First of all, perform an interview utilizing [STC-18, "Diagnostic Work Sheet"](#) and reproduce symptoms as well as fully understand it. Ask customer about his/her complaints carefully. Check symptoms by driving vehicle with customer, if necessary.

**CAUTION:**

**Customers are not professional. Never guess easily like “maybe the customer means that...,” or “maybe the customer mentions this symptom”.**

>> GO TO 2.

#### 2. CHECK SYMPTOM

Reproduce the symptom that is indicated by the customer, based on the information from the customer obtained by interview. Also check that the symptom is not caused by protection function. Refer to [STC-12, "Protection Function"](#).

**CAUTION:**

**When the symptom is caused by normal operation, fully inspect each portion and obtain the understanding of customer that the symptom is not caused by a malfunction.**

>> GO TO 3.

#### 3. PERFORM SELF-DIAGNOSIS

 **With CONSULT**

Perform self-diagnosis.

Is any DTC detected?

YES >> Record or print DTC and freeze frame data (FFD). GO TO 4.

NO >> GO TO 6.

#### 4. RECHECK SYMPTOM

 **With CONSULT**

1. Erase self-diagnostic results for “EPS”.

2. Perform DTC confirmation procedures for the error detected system.

**NOTE:**

If some DTCs are detected at the same time, determine the order for performing the diagnosis based on [STC-12, "DTC Inspection Priority Chart"](#).

Is any DTC detected?

YES >> GO TO 5.

NO >> Check harness and connectors based on the information obtained by interview. Refer to [GI-44, "Intermittent Incident"](#).

#### 5. REPAIR OR REPLACE ERROR-DETECTED PARTS

- Repair or replace error-detected parts.
- Reconnect part or connector after repairing or replacing.
- When DTC is detected, erase self-diagnostic results for “EPS”.

>> GO TO 7.

#### 6. IDENTIFY ERROR-DETECTED SYSTEM BY SYMPTOM DIAGNOSIS

Estimate error-detected system based on symptom diagnosis and perform inspection.

Can the error-detected system be identified?

A

B

C

D

E

F

STC

H

I

J

K

L

M

N

O

P

# DIAGNOSIS AND REPAIR WORKFLOW

## < BASIC INSPECTION >

- YES >> GO TO 7.  
 NO >> Check harness and connectors based on the information obtained by interview. Refer to [GI-44](#), "[Intermittent Incident](#)".

## 7.FINAL CHECK

### With CONSULT

1. Check the reference value for EPS control unit.
2. Recheck the symptom and check that symptom is not reproduced on the same conditions.

#### Is the symptom reproduced?

- YES >> GO TO 3.  
 NO >> INSPECTION END

## Diagnostic Work Sheet

INFOID:000000011462143

### Description

- In general, customers have their own criteria for a problem. Therefore, it is important to understand the symptom and status well enough by asking the customer about his/her concerns carefully. To systemize all the information for the diagnosis, prepare the interview sheet referring to the interview points.
- In some cases, multiple conditions that appear simultaneously may cause a DTC to be detected.

### Interview sheet sample

Interview sheet					
Customer name	MR/MS	Registration number		Initial year registration	
		Vehicle type		VIN	
Storage date		Engine		Mileage	km (Mile)
Symptom		<input type="checkbox"/> The steering wheel position (center) is in the wrong position.			
		<input type="checkbox"/> EPS warning lamp turns on.			
		<input type="checkbox"/> Noise <input type="checkbox"/> Vibration			
		<input type="checkbox"/> Others ( _____ )			
First occurrence		<input type="checkbox"/> Recently <input type="checkbox"/> Others ( _____ )			
Frequency of occurrence		<input type="checkbox"/> Always <input type="checkbox"/> Under a certain conditions of _____ <input type="checkbox"/> Sometimes (time(s)/day)			
Climate conditions	<input type="checkbox"/> Irrelevant				
	Weather	<input type="checkbox"/> Fine <input type="checkbox"/> Cloud <input type="checkbox"/> Rain <input type="checkbox"/> Snow <input type="checkbox"/> Others ( _____ )			
	Temperature	<input type="checkbox"/> Hot <input type="checkbox"/> Warm <input type="checkbox"/> Cool <input type="checkbox"/> Cold <input type="checkbox"/> Temperature [Approx. _____ °C (°F)]			
	Relative humidity	<input type="checkbox"/> High <input type="checkbox"/> Moderate <input type="checkbox"/> Low			
Road conditions		<input type="checkbox"/> Urban area <input type="checkbox"/> Suburb area <input type="checkbox"/> High way <input type="checkbox"/> Mounting road (uphill or down hill) <input type="checkbox"/> Rough road			
Operation conditions, etc.		<input type="checkbox"/> Irrelevant <input type="checkbox"/> When engine starts <input type="checkbox"/> During idling <input type="checkbox"/> During driving <input type="checkbox"/> During acceleration <input type="checkbox"/> At constant speed driving <input type="checkbox"/> During deceleration <input type="checkbox"/> During cornering (right curve or left curve) <input type="checkbox"/> During steering			

# DIAGNOSIS AND REPAIR WORKFLOW

< BASIC INSPECTION >

Interview sheet					
Customer name	MR/MS	Registration number		Initial year registration	
		Vehicle type		VIN	
Storage date		Engine		Mileage	km (Mile)
Other conditions					

Memo

A  
B  
C  
D  
E  
F  
H  
I  
J  
K  
L  
M  
N  
O  
P

STC

# C1601 BATTERY POWER SUPPLY

< DTC/CIRCUIT DIAGNOSIS >

## DTC/CIRCUIT DIAGNOSIS

### C1601 BATTERY POWER SUPPLY

#### DTC Logic

INFOID:000000011462144

#### DTC DETECTION LOGIC

DTC	Display item	Malfunction detected condition	Possible cause
C1601	BATTERY VOLT	When a power supply voltage to the EPS control unit is maintained at 18.2 V or more or at less than 9 V continuously for five second or more.	<ul style="list-style-type: none"><li>• Harness or connector</li><li>• EPS control unit</li><li>• Fuse</li><li>• Power supply system</li><li>• Battery</li></ul>

#### DTC CONFIRMATION PROCEDURE

##### 1. PRECONDITIONING

If "DTC CONFIRMATION PROCEDURE" has been previously conducted, always turn ignition switch OFF and wait at least 10 seconds before conducting the next test.

>> GO TO 2.

##### 2. DTC REPRODUCTION PROCEDURE

###### With CONSULT

1. Turn the ignition switch OFF to ON.
2. Perform "EPS" self-diagnosis.

###### Is DTC "C1601" detected?

- YES >> Proceed to diagnosis procedure. Refer to [STC-20, "Diagnosis Procedure"](#).  
NO >> INSPECTION END

#### Diagnosis Procedure

INFOID:000000011462145

##### 1. CHECK EPS CONTROL UNIT GROUND CIRCUIT

1. Turn ignition switch OFF.
2. Disconnect EPS control unit harness connector.
3. Check continuity between EPS control unit harness connector terminal and ground.

EPS control unit		—	Continuity
Connector	Terminal		
M38	10	Ground	Existed

4. Connect EPS control unit harness connector.

###### Is the inspection result normal?

- YES >> GO TO 2.  
NO >> Repair open circuit or short to ground or short to power in harness or connectors.

##### 2. CHECK EPS CONTROL UNIT POWER SUPPLY CIRCUIT (1)

1. Check voltage between EPS control unit harness connector terminals and ground.

EPS control unit		—	Voltage
Connector	Terminal		
M37	4	Ground	Approx. 0 V

2. Turn ignition switch ON.

**CAUTION:**  
**Never start the engine.**

# C1601 BATTERY POWER SUPPLY

## < DTC/CIRCUIT DIAGNOSIS >

3. Check voltage between EPS control unit harness connector and ground.

EPS control unit		—	Voltage
Connector	Terminal		
M37	4	Ground	9 – 18.2 V

Is the inspection result normal?

- YES >> GO TO 4.  
NO >> GO TO 3.

### 3.CHECK EPS CONTROL UNIT POWER SUPPLY CIRCUIT (2)

1. Turn ignition switch OFF.
2. Check the 10A fuse (#3).
3. Check the harness for open or short between EPS control unit harness connector No.4 terminal and the 10A fuse (#3).

Is the inspection result normal?

- YES >> Perform the trouble diagnosis for ignition power supply circuit. Refer to [PG-42. "Wiring Diagram - IGNITION POWER SUPPLY -"](#).  
NO >> Repair or replace error-detected parts.

### 4.CHECK EPS CONTROL UNIT POWER SUPPLY CIRCUIT (3)

1. Turn ignition switch OFF.
2. Check voltage between EPS control unit harness connector terminals and ground.

EPS control unit		—	Voltage
Connector	Terminal		
M38	9	Ground	9 – 18.2 V

3. Turn ignition switch ON.  
**CAUTION:**  
**Never start the engine.**
4. Check voltage between EPS control unit harness connector and ground.

EPS control unit		—	Voltage
Connector	Terminal		
M38	9	Ground	9 – 18.2 V

Is the inspection result normal?

- YES >> GO TO 6.  
NO >> GO TO 5.

### 5.CHECK EPS CONTROL UNIT POWER SUPPLY CIRCUIT (4)

1. Turn ignition switch OFF.
2. Check the 60A fusible link (M).
3. Check the harness for open or short between EPS control unit harness connector No.9 terminal and the 60A fusible link (M).

Is the inspection result normal?

- YES >> Perform the trouble diagnosis for power supply circuit. Refer to [PG-11. "Wiring Diagram - BATTERY POWER SUPPLY -"](#).  
NO >> Repair or replace error-detected parts.

### 6.CHECK TERMINALS AND HARNESS CONECTORS

Check the EPS control unit pin terminals for damage or loose connection with harness connector.

Is the inspection result normal?

- YES >> EPS control unit is malfunctioning. Replace steering column assembly. Refer to [ST-11. "Removal and Installation"](#).  
NO >> Repair or replace error-detected parts.

# C1604 TORQUE SENSOR

< DTC/CIRCUIT DIAGNOSIS >

## C1604 TORQUE SENSOR

### DTC Logic

INFOID:000000011462146

### DTC DETECTION LOGIC

DTC	Display item	Malfunction detected condition	Possible cause
C1604	TORQUE SENSOR	When torque sensor output signal is malfunctioning.	<ul style="list-style-type: none"><li>• Harness or connector</li><li>• Torque sensor</li><li>• EPS control unit</li></ul>

### DTC CONFIRMATION PROCEDURE

#### 1. PRECONDITIONING

If "DTC CONFIRMATION PROCEDURE" has been previously conducted, always turn ignition switch OFF and wait at least 10 seconds before conducting the next test.

>> GO TO 2.

#### 2. DTC REPRODUCTION PROCEDURE

##### With CONSULT

1. Turn the ignition switch OFF to ON.
2. Perform "EPS" self-diagnosis.

Is DTC "C1604" detected?

- YES >> Proceed to diagnosis procedure. Refer to [STC-22, "Diagnosis Procedure"](#).  
NO >> INSPECTION END

### Diagnosis Procedure

INFOID:000000011462147

#### 1. CHECK TERMINALS AND HARNESS CONECTORS

Check EPS control unit pin terminals for damage or loose connection with harness connector. If any items are damaged, repair or replace error-detected parts.

Is the inspection result normal?

- YES >> GO TO 2.  
NO >> Repair or replace error-detected parts.

#### 2. PERFORM SELF-DIAGNOSIS

##### With CONSULT

1. Erase self-diagnostic results for "EPS".
2. Turn the ignition switch OFF, and then wait 10 seconds and more.
3. Perform self-diagnosis for "EPS".

Is DTC "C1604" detected?

- YES >> Torque sensor is malfunctioning. Replace steering column assembly. Refer to [ST-11, "Removal and Installation"](#).  
NO >> Check intermittent incident. Refer to [GI-44, "Intermittent Incident"](#).

# C1606 EPS MOTOR

< DTC/CIRCUIT DIAGNOSIS >

## C1606 EPS MOTOR

### DTC Logic

INFOID:000000011462148

### DTC DETECTION LOGIC

DTC	Display item	Malfunction detected condition	Possible cause
C1606	EPS MOTOR	When the motor driver malfunction of EPS control unit or EPS motor malfunction is detected.	<ul style="list-style-type: none"><li>• Harness or connector</li><li>• EPS motor</li><li>• EPS control unit</li></ul>

### DTC CONFIRMATION PROCEDURE

#### 1. PRECONDITIONING

If "DTC CONFIRMATION PROCEDURE" has been previously conducted, always turn ignition switch OFF and wait at least 10 seconds before conducting the next test.

>> GO TO 2.

#### 2. DTC REPRODUCTION PROCEDURE

##### With CONSULT

1. Turn the ignition switch OFF to ON.
2. Perform "EPS" self-diagnosis.

Is DTC "C1606" detected?

- YES >> Proceed to diagnosis procedure. Refer to [STC-23, "Diagnosis Procedure"](#).  
NO >> INSPECTION END

### Diagnosis Procedure

INFOID:000000011462149

#### 1. PERFORM SELF-DIAGNOSIS

##### With CONSULT

1. Erase self-diagnostic results for "EPS".
2. Turn the ignition switch OFF, and then wait 10 seconds and more.
3. Perform self-diagnosis for "EPS".

Is DTC "C1606" detected?

- YES >> EPS motor is malfunctioning. Replace steering column assembly. Refer to [ST-11, "Removal and Installation"](#).  
NO >> Check EPS control unit pin terminals for damage or loose connection with harness connector. If any items are damaged, repair or replace error-detected parts.

A  
B  
C  
D  
E  
F  
H  
I  
J  
K  
L  
M  
N  
O  
P

STC

# C1607, C1608 EPS CONTROL UNIT

< DTC/CIRCUIT DIAGNOSIS >

## C1607, C1608 EPS CONTROL UNIT

### DTC Logic

INFOID:000000011462150

### DTC DETECTION LOGIC

DTC	Display item	Malfunction detected condition	Possible cause
C1607	EEPROM	When the memory (EEPROM) system malfunction is detected in EPS control unit.	EPS control unit
C1608	CONTROL UNIT	When the internal malfunction is detected in EPS control unit.	

### DTC CONFIRMATION PROCEDURE

#### 1. PRECONDITIONING

If "DTC CONFIRMATION PROCEDURE" has been previously conducted, always turn ignition switch OFF and wait at least 10 seconds before conducting the next test.

>> GO TO 2.

#### 2. DTC REPRODUCTION PROCEDURE

##### With CONSULT

1. Turn the ignition switch OFF to ON.
2. Perform "EPS" self-diagnosis.

Is DTC "C1607" or "C1608" detected?

- YES >> Proceed to diagnosis procedure. Refer to [STC-24, "Diagnosis Procedure"](#).  
NO >> INSPECTION END

### Diagnosis Procedure

INFOID:000000011462151

#### 1. CHECK TERMINALS AND HARNESS CONECTORS

Check EPS control unit pin terminals for damage or loose connection with harness connector. If any items are damaged, repair or replace error-detected parts.

Is the inspection result normal?

- YES >> GO TO 2.  
NO >> Repair or replace error-detected parts.

#### 2. PERFORM SELF-DIAGNOSIS

##### With CONSULT

1. Erase self-diagnostic results for "EPS".
2. Turn the ignition switch OFF, and then wait 10 seconds and more.
3. Perform self-diagnosis for "EPS".

Is DTC "C1607" or "C1608" detected?

- YES >> EPS control unit is malfunctioning. Replace steering column assembly. Refer to [ST-11, "Removal and Installation"](#).  
NO >> Check intermittent incident. Refer to [GI-44, "Intermittent Incident"](#).



# C1609 VEHICLE SPEED SIGNAL

< DTC/CIRCUIT DIAGNOSIS >

## C1609 VEHICLE SPEED SIGNAL

### DTC Logic

INFOID:000000011462152

### DTC DETECTION LOGIC

DTC	Display item	Malfunction detected condition	Possible cause
C1609	CAN VHCL SPEED	<ul style="list-style-type: none"><li>Malfunction is detected in vehicle speed signal that is output from ABS actuator and electric unit (control unit) via CAN communication.</li><li>ABS actuator and electric unit (control unit) input signal error is detected.</li></ul>	<ul style="list-style-type: none"><li>Harness or connector</li><li>CAN communication line</li><li>EPS control unit</li><li>ABS malfunction</li><li>- Vehicle speed signal error</li></ul>

### DTC CONFIRMATION PROCEDURE

#### 1. PRECONDITIONING

If "DTC CONFIRMATION PROCEDURE" has been previously conducted, always turn ignition switch OFF and wait at least 10 seconds before conducting the next test.

>> GO TO 2.

#### 2. DTC REPRODUCTION PROCEDURE

##### With CONSULT

- Turn the ignition switch OFF to ON.
- Perform "EPS" self-diagnosis.

Is DTC "C1609" detected?

- YES >> Proceed to diagnosis procedure. Refer to [STC-25, "Diagnosis Procedure"](#).  
NO >> INSPECTION END

### Diagnosis Procedure

INFOID:000000011462153

#### 1. PERFORM ABS ACTUATOR AND ELECTRIC UNIT (CONTROL UNIT) SELF-DIAGNOSIS

##### With CONSULT

- Turn the ignition switch OFF to ON.
- Perform "ABS" self-diagnosis.

Is any DTC detected?

- YES >> Check the DTC.  
NO >> GO TO 2.

#### 2. PERFORM SELF-DIAGNOSIS

##### With CONSULT

Perform "EPS" self-diagnosis.

Is DTC "C1609" detected?

- YES >> EPS control unit is malfunctioning. Replace steering column assembly. Refer to [ST-11, "Removal and Installation"](#).  
NO >> Check EPS control unit pin terminals for damage or loose connection with harness connector. If any item are damaged, repair or replace error-detected parts.

# U1000 CAN COMM CIRCUIT

< DTC/CIRCUIT DIAGNOSIS >

## U1000 CAN COMM CIRCUIT

### Description

INFOID:000000011462154

CAN (Controller Area Network) is a serial communication line for real time application. It is an on-vehicle multiplex communication line with high data communication speed and excellent error detection ability. Many electronic control units are equipped onto a vehicle, and each control unit shares information and links with other control units during operation (not independent). In CAN communication, control units are connected with 2 communication lines (CAN-H line, CAN-L line) allowing a high rate of information transmission with less wiring. Each control unit communicate data but selectively reads required data only.

### DTC Logic

INFOID:000000011462155

### DTC DETECTION LOGIC

DTC	Display item	Malfunction detected condition	Possible cause
U1000	CAN COMM CIRCUIT	EPS control unit is not transmitting/receiving CAN communication signal for 2 seconds or more.	<ul style="list-style-type: none"><li>• CAN communication error</li><li>• EPS control unit</li></ul>

### DTC CONFIRMATION PROCEDURE

#### 1. PRECONDITIONING

If "DTC CONFIRMATION PROCEDURE" has been previously conducted, always turn ignition switch OFF and wait at least 10 seconds before conducting the next test.

>> GO TO 2.

#### 2. DTC REPRODUCTION PROCEDURE

##### With CONSULT

1. Turn the ignition switch OFF to ON.
2. Perform "EPS" self-diagnosis.

##### Is DTC "U1000" detected?

YES >> Proceed to diagnosis procedure. Refer to [STC-26, "Diagnosis Procedure"](#).

NO >> INSPECTION END

### Diagnosis Procedure

INFOID:000000011462156

Proceed to [LAN-17, "Trouble Diagnosis Flow Chart"](#).

# EPS WARNING LAMP

< DTC/CIRCUIT DIAGNOSIS >

## EPS WARNING LAMP

### Component Function Check

INFOID:000000011462157

#### 1. CHECK THE ILLUMINATION OF THE EPS WARNING LAMP

Check that the EPS warning lamp turns ON when ignition switch turns ON. Then, EPS warning lamp turns OFF after the engine is started.

Is the inspection result normal?

YES >> INSPECTION END

NO >> Perform trouble diagnosis. Refer to [STC-27, "Diagnosis Procedure"](#).

### Diagnosis Procedure

INFOID:000000011462158

#### 1. PERFORM SELF-DIAGNOSIS

##### With CONSULT

1. Turn the ignition switch OFF to ON.
2. Perform "EPS" self-diagnosis.

Is any DTC detected?

YES >> Check the DTC. Refer to [STC-13, "DTC Index"](#).

NO >> GO TO 2.

#### 2. CHECK EPS WARNING LAMP SIGNAL

##### With CONSULT

1. Turn the ignition switch ON.  
**CAUTION:**  
**Never start the engine.**
2. Select "DATA MONITOR" of "EPS" and select "WARNING LAMP".
3. Check that the EPS warning lamp is turned ON.
4. Start the engine.  
**CAUTION:**  
**Never drive the vehicle.**
5. Check that the EPS warning lamp is turned OFF.

Is the inspection result normal?

YES >> Perform the trouble diagnosis for combination meter power supply circuit. Refer to [MWI-49, "COMBINATION METER : Diagnosis Procedure"](#).

NO >> EPS control unit is malfunctioning. Replace steering column assembly. Refer to [ST-11, "Removal and Installation"](#).

A  
B  
C  
D  
E  
F  
H  
I  
J  
K  
L  
M  
N  
O  
P

STC

# EPS WARNING LAMP DOES NOT TURN ON

< SYMPTOM DIAGNOSIS >

---

## SYMPTOM DIAGNOSIS

### EPS WARNING LAMP DOES NOT TURN ON

#### Description

INFOID:000000011462159

EPS warning lamp does not turn ON when turning ignition switch ON from OFF. (Check the illumination of the EPS warning lamp.)

#### Diagnosis Procedure

INFOID:000000011462160

#### 1. CHECK EPS WARNING LAMP

---

Perform the trouble diagnosis of EPS warning lamp. Refer to [STC-27, "Diagnosis Procedure"](#).

Is the inspection result normal?

- YES >> Check that there is no malfunction in each harness connector pin terminal or disconnection.
- NO >> Repair or replace the specific malfunctioning part.

# EPS WARNING LAMP DOES NOT TURN OFF

< SYMPTOM DIAGNOSIS >

## EPS WARNING LAMP DOES NOT TURN OFF

### Description

INFOID:000000011462161

EPS warning lamp does not turn OFF several seconds after engine started.

### Diagnosis Procedure

INFOID:000000011462162

#### 1.PERFORM SELF-DIAGNOSIS

##### With CONSULT

1. Turn the ignition switch OFF to ON.
2. Perform "EPS" self-diagnosis.

##### Is any DTC detected?

- YES >> Check the DTC. Refer to [STC-13, "DTC Index"](#).  
NO >> GO TO 2.

#### 2.CHECK EPS WARNING LAMP

Perform the trouble diagnosis of EPS warning lamp. Refer to [STC-27, "Diagnosis Procedure"](#).

##### Is the inspection result normal?

- YES >> GO TO 3.  
NO >> Repair or replace the specific malfunctioning part.

#### 3.CHECK EPS CONTROL UNIT POWER SUPPLY AND GROUND CIRCUIT

Perform the trouble diagnosis of EPS control unit power supply and ground. Refer to [STC-20, "Diagnosis Procedure"](#).

##### Is the inspection result normal?

- YES >> Check that there is no malfunction in each harness connector pin terminal or disconnection.  
NO >> Repair or replace the specific malfunctioning part.

A  
B  
C  
D  
E  
F  
H  
I  
J  
K  
L  
M  
N  
O  
P

STC

# STEERING WHEEL TURNING FORCE IS HEAVY OR LIGHT

< SYMPTOM DIAGNOSIS >

---

## STEERING WHEEL TURNING FORCE IS HEAVY OR LIGHT

### Description

INFOID:0000000011462163

Steering wheel turning force is heavy or light.

### Diagnosis Procedure

INFOID:0000000011462164

#### 1. PERFORM SELF-DIAGNOSIS

---

##### With CONSULT

1. Turn the ignition switch OFF to ON.
2. Perform "EPS" self-diagnosis.

##### Is any DTC detected?

- YES >> Check the DTC. Refer to [STC-13, "DTC Index"](#).  
NO >> GO TO 2.

#### 2. CHECK THE ILLUMINATION OF THE EPS WARNING LAMP

Check that the EPS warning lamp turns ON when ignition switch turns ON. Then, EPS warning lamp turns OFF after the engine is started.

##### Is the inspection result normal?

- YES >> GO TO 3.  
NO >> Perform trouble diagnosis of EPS warning lamp. Refer to [STC-27, "Diagnosis Procedure"](#).

#### 3. CHECK EPS CONTROL UNIT SIGNAL (1)

---

##### With CONSULT

1. Start the engine.  
**CAUTION:**  
**Never drive the vehicle.**
2. Select "ASSIST LEVEL" in "DATA MONITOR" in "EPS".

##### Dose the item in "DATA MONITOR" indicate "100%"?

- YES >> GO TO 6.  
NO >> GO TO 4.

#### 4. CHECK EPS CONTROL UNIT SIGNAL (2)

---

##### With CONSULT

Select "BATTERY VOLT" in "DATA MONITOR" in "EPS".

##### Dose the item in "DATA MONITOR" indicate "10 V" or more?

- YES >> GO TO 5.  
NO >> Perform trouble diagnosis of EPS control unit power supply and ground. Refer to [STC-20, "Diagnosis Procedure"](#).

#### 5. CHECK EPS CONTROL UNIT SIGNAL (3)

---

##### With CONSULT

1. Select "ASSIST LEVEL" in "DATA MONITOR" in "EPS".
2. Stop the EPS system until the item in "DATA MONITOR" becomes "100%".

##### **NOTE:**

While stopping the EPS system, do not turn steering wheel.

3. Check that the symptom continues.

##### Dose the symptom continue?

- YES >> GO TO 6.  
NO >> The assist torque decreases because of protection function. This is not malfunction. INSPECTION END

#### 6. CHECK EPS CONTROL UNIT SIGNAL (4)

---

##### With CONSULT

1. Start the engine.

##### **CAUTION:**

# STEERING WHEEL TURNING FORCE IS HEAVY OR LIGHT

## < SYMPTOM DIAGNOSIS >

**Never drive the vehicle.**

2. Turn steering wheel from full left stop to full right stop.
3. Select "TORQUE SENSOR" in "DATA MONITOR" in "EPS".

Monitor item	Condition	Display value
TORQUE SENSOR	Steering wheel: Not steering (There is no steering force)	Approx. 0 Nm
	Steering wheel: Right turn	Positive value (Nm)
	Steering wheel: Left turn	Negative value (Nm)

Is the inspection result normal?

- YES >> GO TO 8.  
NO >> GO TO 7.

## 7.CHECK EPS MOTOR

Perform the trouble diagnosis of EPS motor. Refer to [STC-23, "Diagnosis Procedure"](#).

Is the inspection result normal?

- YES >> GO TO 8.  
NO >> Repair or replace the specific malfunctioning part.

## 8.CHECK STEERING WHEEL TURNING FORCE

Check the steering wheel turning force. Refer to [ST-8, "Inspection"](#).

Is the inspection result normal?

- YES >> INSPECTION END  
NO >> Check the steering wheel turning force for mechanical malfunction. Refer to [ST-19, "Inspection"](#).

A  
B  
C  
D  
E  
F  
STC  
H  
I  
J  
K  
L  
M  
N  
O  
P

# UNBALANCE STEERING WHEEL TURNING FORCE AND RETURN BETWEEN RIGHT AND LEFT

< SYMPTOM DIAGNOSIS >

## UNBALANCE STEERING WHEEL TURNING FORCE AND RETURN BETWEEN RIGHT AND LEFT

### Description

INFOID:000000011462165

Unbalance steering wheel turning force and return between right and left.

### Diagnosis Procedure

INFOID:000000011462166

#### 1. CHECK THE ILLUMINATION OF THE EPS WARNING LAMP

Check the EPS warning lamp while engine is running.

Does the EPS warning lamp turn OFF?

- YES >> GO TO 2.
- NO >> Refer to [STC-29, "Diagnosis Procedure"](#).

#### 2. CHECK WHEEL ALIGNMENT

Check the wheel alignment. Refer to [FSU-7, "Inspection"](#).

Is the inspection result normal?

- YES >> GO TO 3.
- NO >> Adjustment of wheel alignment. Refer to [FSU-7, "Inspection"](#).

#### 3. CHECK EPS CONTROL UNIT SIGNAL

##### With CONSULT

1. Start the engine.  
**CAUTION:**  
**Never drive the vehicle.**
2. Turn steering wheel from full left stop to full right stop.
3. Select "DATA MONITOR" of "EPS" and select "TORQUE SENSOR".
4. Perform the torque sensor inspection.

Monitor item	Condition	Display value
TORQUE SENSOR	Steering wheel: Not steering (There is no steering force)	Approx. 0 Nm
	Steering wheel: Right turn	Positive value (Nm)
	Steering wheel: Left turn	Negative value (Nm)

Is the inspection result normal?

- YES >> GO TO 5.
- NO >> GO TO 4.

#### 4. CHECK EPS MOTOR

Perform the trouble diagnosis of EPS motor. Refer to [STC-23, "Diagnosis Procedure"](#).

Is the inspection result normal?

- YES >> GO TO 5.
- NO >> Repair or replace the specific malfunctioning part.

#### 5. CHECK STEERING WHEEL TURNING FORCE

Check the steering wheel turning force. Refer to [ST-5, "Inspection"](#).

Is the inspection result normal?

- YES >> INSPECTION END
- NO >> Check the steering wheel turning force for mechanical malfunction. Refer to [ST-19, "Inspection"](#).



# UNBALANCE STEERING WHEEL TURNING FORCE (TORQUE VARIATION)

< SYMPTOM DIAGNOSIS >

## UNBALANCE STEERING WHEEL TURNING FORCE (TORQUE VARIATION)

### Description

INFOID:000000011462167

Unbalance steering wheel turning force (torque variation).

### Diagnosis Procedure

INFOID:000000011462168

#### 1. PERFORM SELF-DIAGNOSIS

##### With CONSULT

1. Turn the ignition switch OFF to ON.
2. Perform "EPS" self-diagnosis.

Is any DTC detected?

- YES >> Check the DTC. Refer to [STC-13, "DTC Index"](#).  
NO >> GO TO 2.

#### 2. CHECK THE ILLUMINATION OF THE EPS WARNING LAMP

Check the EPS warning lamp while the engine is started.

Does the EPS warning lamp turn OFF?

- YES >> GO TO 3.  
NO >> Refer to [STC-29, "Diagnosis Procedure"](#).

#### 3. CHECK STEERING COLUMN AND STEERING GEAR

Check the steering column assembly and steering gear assembly.

- Steering column assembly. Refer to [ST-10, "Exploded View"](#).
- Steering gear assembly. Refer to [ST-16, "Exploded View"](#).

Is the inspection result normal?

- YES >> GO TO 4.  
NO >> Repair or replace the specific malfunctioning part.

#### 4. CHECK EPS CONTROL UNIT SIGNAL (1)

##### With CONSULT

1. Start the engine.

##### **CAUTION:**

**Never drive the vehicle.**

2. Turn steering wheel from full left stop to full right stop.
3. Select "ASSIST LEVEL" in "DATA MONITOR" in "EPS".

Dose the item in "DATA MONITOR" maintain "100%"?

- YES >> GO TO 7.  
NO >> GO TO 5.

#### 5. CHECK EPS CONTROL UNIT SIGNAL (2)

##### With CONSULT

Select "BATTERY VOLT" in "DATA MONITOR" in "EPS".

Dose the item in "DATA MONITOR" indicate "10 V" or more?

- YES >> GO TO 6.  
NO >> Perform trouble diagnosis of EPS control unit power supply and ground. Refer to [STC-20, "Diagnosis Procedure"](#).

#### 6. CHECK EPS CONTROL UNIT SIGNAL (3)

##### With CONSULT

1. Select "ASSIST LEVEL" in "DATA MONITOR" in "EPS".
2. Stop the EPS system until the item in "DATA MONITOR" becomes "100%".

##### **NOTE:**

While stopping the EPS system, do not turn steering wheel.

3. Check that the symptom continues.

# UNBALANCE STEERING WHEEL TURNING FORCE (TORQUE VARIATION)

## < SYMPTOM DIAGNOSIS >

### Dose the symptom continue?

YES >> GO TO 7.

NO >> The assist torque decreases because of protection function. This is not malfunction. INSPECTION END

## 7. CHECK EPS CONTROL UNIT SIGNAL (4)

### With CONSULT

1. Start the engine.

#### **CAUTION:**

**Never drive the vehicle.**

2. Turn steering wheel from full left stop to full right stop.
3. Select "TORQUE SENSOR" in "DATA MONITOR" in "EPS".
4. Perform the torque sensor inspection.

Monitor item	Condition	Display value
TORQUE SENSOR	Steering wheel: Not steering (There is no steering force)	Approx. 0 Nm
	Steering wheel: Right turn	Positive value (Nm)
	Steering wheel: Left turn	Negative value (Nm)

### Is the inspection result normal?

YES >> GO TO 9.

NO >> GO TO 8.

## 8. CHECK EPS MOTOR

Perform the trouble diagnosis of EPS motor. Refer to [STC-23, "Diagnosis Procedure"](#).

### Is the inspection result normal?

YES >> GO TO 9.

NO >> Repair or replace the specific malfunctioning part.

## 9. CHECK STEERING WHEEL TURNING FORCE

Check the steering wheel turning force. Refer to [ST-8, "Inspection"](#).

### Is the inspection result normal?

YES >> INSPECTION END

NO >> Check the steering wheel turning force for mechanical malfunction. Refer to [ST-19, "Inspection"](#).

# EPS CONTROL UNIT

< REMOVAL AND INSTALLATION >

## REMOVAL AND INSTALLATION

### EPS CONTROL UNIT

#### Removal and Installation

INFOID:000000011462169

**CAUTION:**

**Disconnect battery negative terminal before starting operations.**

Never remove EPS control unit from steering column assembly. When replacing EPS control unit, replace steering column assembly. Refer to [ST-11, "Removal and Installation"](#).

A  
B  
C  
D  
E  
F  
H  
I  
J  
K  
L  
M  
N  
O  
P

STC