

SECTION BR
BRAKE SYSTEM

A
B
C
D
E

CONTENTS

PRECAUTION	3	BRAKE MASTER CYLINDER	14	BR
PRECAUTIONS	3	Inspection	14	
Precaution for Supplemental Restraint System (SRS) "AIR BAG" and "SEAT BELT PRE-TEN- SIONER"	3	BRAKE BOOSTER	15	G
Precaution for Procedure without Cowl Top Cover.....	3	Inspection	15	
Precaution for Brake System	3	FRONT DISC BRAKE	16	H
Precautions for Removing Battery Terminal	4	BRAKE PAD	16	
PREPARATION	5	BRAKE PAD : Inspection and Adjustment	16	
PREPARATION	5	DISC ROTOR	16	I
Commercial Service Tool	5	DISC ROTOR : Inspection and Adjustment	16	
BASIC INSPECTION	6	REAR DISC BRAKE	18	J
FRONT DISC BRAKE	6	BRAKE PAD	18	
DISC ROTOR	6	BRAKE PAD : Inspection and Adjustment	18	K
DISC ROTOR : Inspection	6	DISC ROTOR	18	
REAR DISC BRAKE	7	DISC ROTOR : Inspection and Adjustment	18	L
DISC ROTOR	7	REMOVAL AND INSTALLATION	20	
DISC ROTOR : Inspection	7	BRAKE PEDAL	20	M
SYMPTOM DIAGNOSIS	8	Exploded View	20	
NOISE, VIBRATION AND HARSHNESS (NVH) TROUBLESHOOTING	8	Removal and Installation	20	
NVH Troubleshooting Chart	8	Inspection and Adjustment	21	N
PERIODIC MAINTENANCE	9	BRAKE PIPING	23	
BRAKE PEDAL	9	FRONT	23	O
Inspection and Adjustment	9	FRONT : Exploded View	23	
BRAKE FLUID	12	FRONT : Hydraulic Piping	24	
Inspection	12	FRONT : Removal and Installation	25	P
Draining	12	FRONT : Inspection	27	
Refilling	12	REAR	27	
Bleeding Brake System	13	REAR : Exploded View	27	
		REAR : Hydraulic Piping	31	
		REAR : Removal and Installation	32	
		REAR : Inspection	37	
		BRAKE MASTER CYLINDER	38	

Exploded View	38	BRAKE CALIPER ASSEMBLY : Inspection	58
Removal and Installation	38	REAR DISC BRAKE	59
Disassembly and Assembly	40	BRAKE PAD	59
Inspection	41	BRAKE PAD : Exploded View	59
BRAKE BOOSTER	42	BRAKE PAD : Removal and Installation	60
Exploded View	42	BRAKE PAD : Inspection	62
Removal and installation	42	BRAKE CALIPER ASSEMBLY	63
Inspection and Adjustment	43	BRAKE CALIPER ASSEMBLY : Exploded View ...	63
VACUUM LINES	45	BRAKE CALIPER ASSEMBLY : Removal and In-	64
Exploded View	45	stallation	64
Removal and Installation	46	BRAKE CALIPER ASSEMBLY : Disassembly and	65
Inspection	47	Assembly	65
FRONT DISC BRAKE	48	BRAKE CALIPER ASSEMBLY : Inspection	67
BRAKE PAD	48	SERVICE DATA AND SPECIFICATIONS	
BRAKE PAD : Exploded View	48	(SDS)	68
BRAKE PAD : Removal and Installation	49	SERVICE DATA AND SPECIFICATIONS	
BRAKE PAD : Inspection	53	(SDS)	68
BRAKE CALIPER ASSEMBLY	53	General Specifications	68
BRAKE CALIPER ASSEMBLY : Exploded View ...	53	Brake Pedal	68
BRAKE CALIPER ASSEMBLY : Removal and In-	55	Brake Booster	68
stallation	55	Front Disc Brake	68
BRAKE CALIPER ASSEMBLY : Disassembly and	56	Rear Disc Brake	69
Assembly	56		

PRECAUTIONS

< PRECAUTION >

PRECAUTION

PRECAUTIONS

Precaution for Supplemental Restraint System (SRS) "AIR BAG" and "SEAT BELT PRE-TENSIONER"

INFOID:000000012200257

The Supplemental Restraint System such as "AIR BAG" and "SEAT BELT PRE-TENSIONER", used along with a front seat belt, helps to reduce the risk or severity of injury to the driver and front passenger for certain types of collision. This system includes seat belt switch inputs and dual stage front air bag modules. The SRS system uses the seat belt switches to determine the front air bag deployment, and may only deploy one front air bag, depending on the severity of a collision and whether the front occupants are belted or unbelted. Information necessary to service the system safely is included in the "SRS AIR BAG" and "SEAT BELT" of this Service Manual.

WARNING:

Always observe the following items for preventing accidental activation.

- To avoid rendering the SRS inoperative, which could increase the risk of personal injury or death in the event of a collision that would result in air bag inflation, it is recommended that all maintenance and repair be performed by an authorized NISSAN/INFINITI dealer.
- Improper repair, including incorrect removal and installation of the SRS, can lead to personal injury caused by unintentional activation of the system. For removal of Spiral Cable and Air Bag Module, see "SRS AIR BAG".
- Never use electrical test equipment on any circuit related to the SRS unless instructed to in this Service Manual. SRS wiring harnesses can be identified by yellow and/or orange harnesses or harness connectors.

PRECAUTIONS WHEN USING POWER TOOLS (AIR OR ELECTRIC) AND HAMMERS

WARNING:

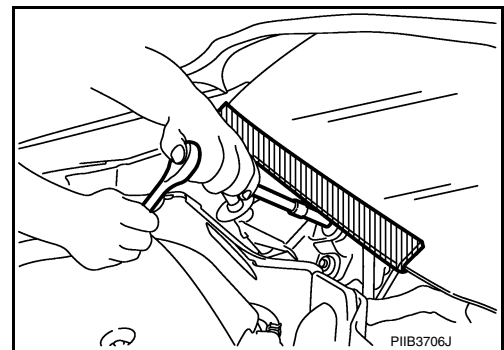
Always observe the following items for preventing accidental activation.

- When working near the Air Bag Diagnosis Sensor Unit or other Air Bag System sensors with the ignition ON or engine running, never use air or electric power tools or strike near the sensor(s) with a hammer. Heavy vibration could activate the sensor(s) and deploy the air bag(s), possibly causing serious injury.
- When using air or electric power tools or hammers, always switch the ignition OFF, disconnect the battery or batteries, and wait at least 3 minutes before performing any service.

Precaution for Procedure without Cowl Top Cover

INFOID:000000012200258

When performing the procedure after removing cowl top cover, cover the lower end of windshield with urethane, etc to prevent damage to windshield.



Precaution for Brake System

INFOID:000000012200259

WARNING:

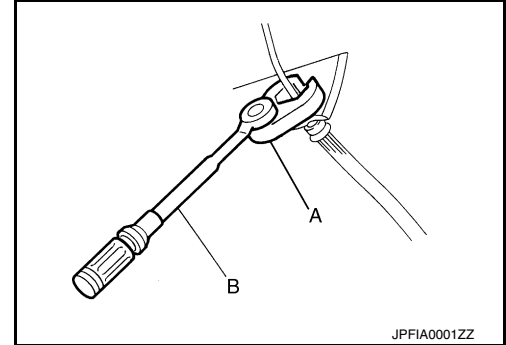
Since dust covering the front and rear brakes has an affect on human body, the dust must be removed with a dust collector. Never splatter the dust with an air blow gun.

- Brake fluid use refer to [MA-11, "Fluids and Lubricants"](#).
- Never reuse drained brake fluid.
- Never spill or splash brake fluid on painted surfaces. Brake fluid may seriously damage paint. Wipe it off immediately and wash with water if it gets on a painted surface. For brake component parts, never wash them with water.

PRECAUTIONS

< PRECAUTION >

- Always confirm the specified tightening torque when installing the brake pipes.
- After pressing the brake pedal more deeply or harder than normal driving, such as air bleeding, check each item of brake pedal. Adjust brake pedal if it is outside the standard value.
- Always clean with new brake fluid when cleaning the master cylinder, brake caliper and other components.
- Never use mineral oils such as gasoline or light oil to clean. They may damage rubber parts and cause improper operation.
- Always loosen the brake tube flare nut with a flare nut wrench.
- Tighten the brake tube flare nut to the specified torque with a crow-foot (A) and torque wrench (B).
- Turn the ignition switch OFF and disconnect the ABS actuator and electric unit (control unit) harness connector or the battery negative terminal before performing the work.
- Check that no brake fluid leakage is present after replacing the parts.
- Burnish the brake contact surfaces after refinishing or replacing rotors, after replacing pads, or if a soft pedal occurs at very low mileage.
- Front brake pad: Refer to [BR-16, "BRAKE PAD : Inspection and Adjustment"](#).
- Front disc rotor: Refer to [BR-16, "DISC ROTOR : Inspection and Adjustment"](#).
- Rear brake pad: Refer to [BR-18, "BRAKE PAD : Inspection and Adjustment"](#).
- Rear disc rotor: Refer to [BR-18, "DISC ROTOR : Inspection and Adjustment"](#).



Precautions for Removing Battery Terminal

INFOID:000000012200260

- When removing the 12V battery terminal, turn OFF the ignition switch and wait at least 30 seconds.

NOTE:

ECU may be active for several tens of seconds after the ignition switch is turned OFF. If the battery terminal is removed before ECU stops, then a DTC detection error or ECU data corruption may occur.

- For vehicles with the 2-batteries, be sure to connect the main battery and the sub battery before turning ON the ignition switch.

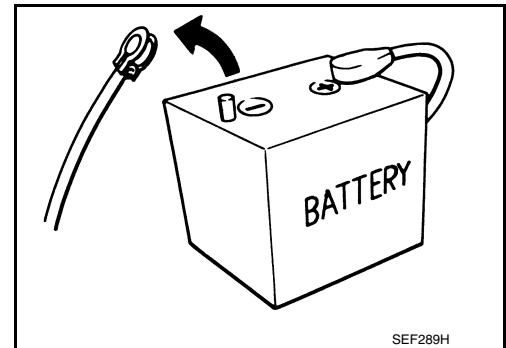
NOTE:

If the ignition switch is turned ON with any one of the terminals of main battery and sub battery disconnected, then DTC may be detected.

- After installing the 12V battery, always check "Self Diagnosis Result" of all ECUs and erase DTC.

NOTE:

The removal of 12V battery may cause a DTC detection error.



PREPARATION

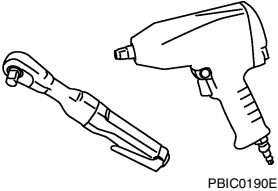
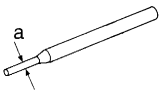

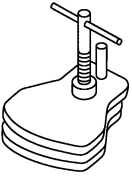
< PREPARATION >

PREPARATION

PREPARATION

Commercial Service Tool

INFOID:0000000012200261

Tool name	Description
<p>Power tool</p>  <p>PBIC0190E</p>	<p>Loosening bolts and nuts</p>
<p>Pin punch a: 4 mm (0.16 in)</p>  <p>NT410</p>	<p>Removing and installing reservoir tank</p>
<p>Handy vacuum pump</p>  <p>ZZC1313D</p>	<ul style="list-style-type: none"> • Air tight • Inspection of check valve
<p>Brake caliper wrench</p>  <p>NNFIA0040ZZ</p>	<p>Return the piston</p>

A
B
C
D
E
BR
G
H
I
J
K
L
M
N
O
P

FRONT DISC BRAKE

< BASIC INSPECTION >

BASIC INSPECTION

FRONT DISC BRAKE

DISC ROTOR

DISC ROTOR : Inspection

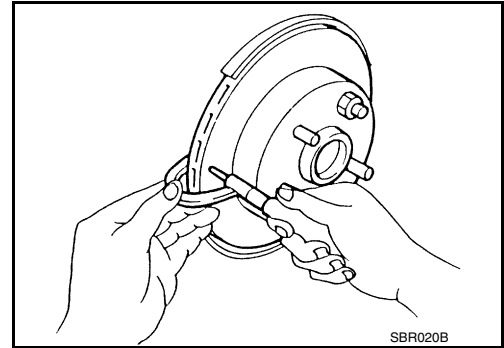
INFOID:0000000012200262

INSPECTION

Uneven wear

Check the uneven wear of the disc rotor using a micrometer. Replace the disc rotor if the thickness is below the wear limit. Refer to [FAX-11. "Removal and Installation"](#) (for Nismo) or [FAX-66. "Removal and Installation"](#) (except for Nismo)

Thickness variation : Refer to [BR-68. "Front Disc Brake"](#).
(measured at 8 positions)



REAR DISC BRAKE

< BASIC INSPECTION >

REAR DISC BRAKE

DISC ROTOR

DISC ROTOR : Inspection

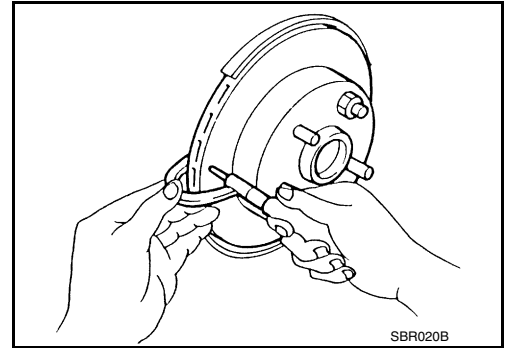
INFOID:000000012200263

INSPECTION

Uneven wear

Check the uneven wear of the disc rotor using a micrometer. Replace the disc rotor if the thickness is below the wear limit. Refer to [RAX-7, "Removal and Installation"](#) (2WD) or [RAX-16, "Removal and Installation"](#) (AWD).

Thickness variation (measured at 8 positions) : Refer to [BR-69, "Rear Disc Brake"](#).



A

B

C

D

E

BR

G

H

I

J

K

L

M

N

O

P

NOISE, VIBRATION AND HARSHNESS (NVH) TROUBLESHOOTING

< SYMPTOM DIAGNOSIS >

SYMPTOM DIAGNOSIS

NOISE, VIBRATION AND HARSHNESS (NVH) TROUBLESHOOTING

NVH Troubleshooting Chart

INFOID:000000012200264

Use the chart below to find the cause of the symptom. If necessary, repair or replace these parts.

Symptom	BRAKE	Possible cause and SUSPECTED PARTS	Reference page																		
			Pads damaged	Pads uneven wear	Shims damaged	Rotor imbalance	Rotor damage	Rotor runout	Rotor deformation	Rotor deflection	Rotor rust	Rotor thickness variation	Drum out of round	PROPELLER SHAFT	DIFFERENTIAL	AXLE AND SUSPENSION	TIRE	ROAD WHEEL	DRIVE SHAFT	STEERING	
		Noise	x	x	x																
		Shake				x							x		x	x	x	x	x		x
		Shimmy, Judder				x	x	x	x	x	x				x	x	x				x

x: Applicable

BRAKE PEDAL

< PERIODIC MAINTENANCE >

PERIODIC MAINTENANCE

BRAKE PEDAL

Inspection and Adjustment

INFOID:000000012200265

INSPECTION

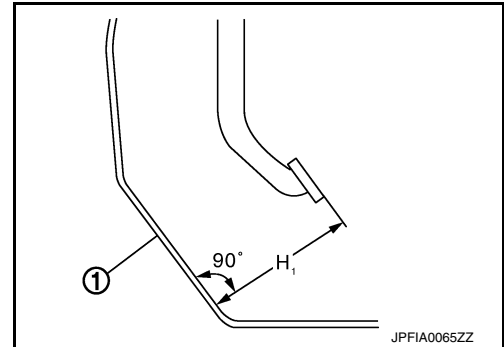
Brake Pedal Height

Check the height (H₁) between the dash lower panel (1) and the brake pedal upper surface.

H₁ : Refer to [BR-68, "Brake Pedal"](#).

CAUTION:

Remove the floor trim.



Stop Lamp Switch

Check the clearance (C) among the brake pedal lever (1) and the stop lamp switch (2) threaded end.

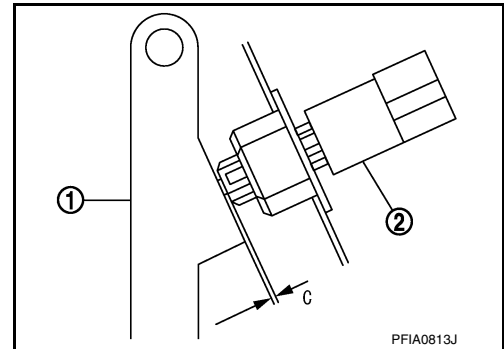
C : Refer to [BR-68, "Brake Pedal"](#).

CAUTION:

The stop lamp must turn off when the brake pedal is released.

NOTE:

Pull the brake pedal pad to make the clearance between the stop lamp switch threaded end and the brake pedal lever.



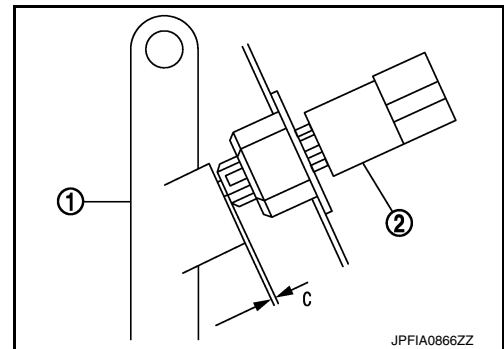
Brake Pedal Position Switch

Check the clearance (C) among the brake pedal lever (1) and the brake pedal position switch (2) threaded end.

C : Refer to [BR-68, "Brake Pedal"](#).

NOTE:

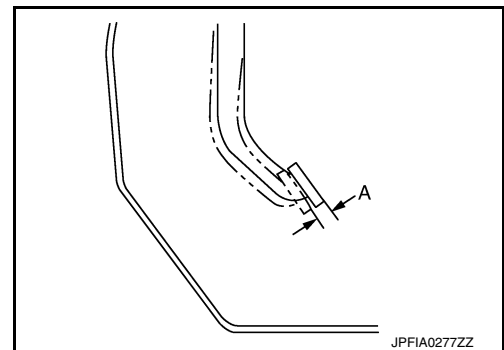
Pull the brake pedal pad to make the clearance between the brake pedal position switch threaded end and the brake pedal lever.



Brake Pedal Play

Press the brake pedal. Check the brake pedal play (A) (stroke until fluid pressure occurs).

A : Refer to [BR-68, "Brake Pedal"](#).



Depressed Brake Pedal Height

A
B
C
D
E
BR
G
H
I
J
K
L
M
N
O
P

BRAKE PEDAL

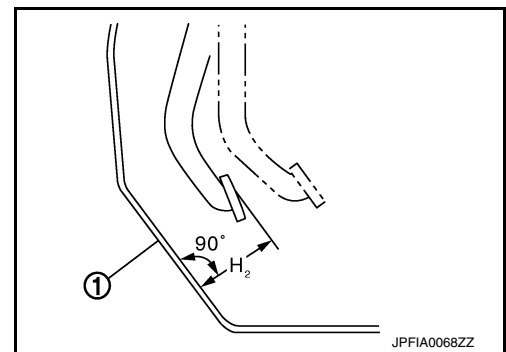
< PERIODIC MAINTENANCE >

Check the height between the dash lower panel (1) and the brake pedal upper surface (H₂) when depressing the brake pedal at 490 N (50 kg, 110 lb) while turning engine ON.

H₂ : Refer to [BR-68, "Brake Pedal"](#).

CAUTION:

Remove the floor trim.



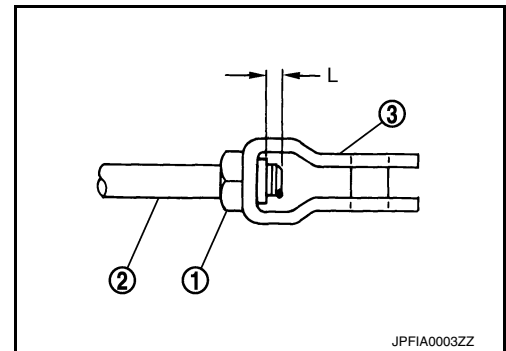
ADJUSTMENT

Brake Pedal Height

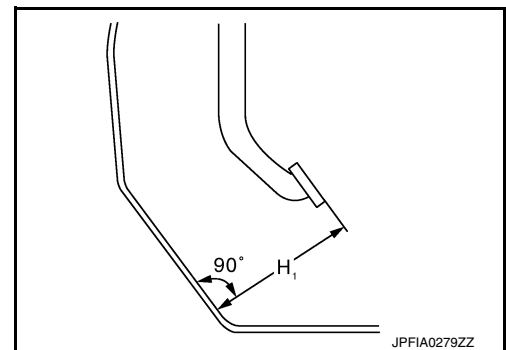
1. Remove instrument lower panel. Refer to [IP-13, "Removal and Installation"](#).
2. Disconnect the stop lamp switch and brake pedal position switch harness connector.
3. Loosen the stop lamp switch and brake pedal position switch 45° counterclockwise.
4. Loosen the lock nut (1) of input rod (2).
5. Rotate the input rod, adjust the brake pedal to the specified height (H₁).

CAUTION:

The threaded end of the input rod must project to the inner side (L) of the clevis (3).



H₁ : Refer to [BR-68, "Brake Pedal"](#).



6. Tighten the lock nut. Refer to [BR-42, "Exploded View"](#).
7. Adjust the clearance between the brake pedal lever and the stop lamp switch and brake pedal position switch threaded end after adjusting the brake pedal height.

Stop Lamp Switch

1. Remove instrument lower panel. Refer to [IP-13, "Removal and Installation"](#).
2. Disconnect the harness connector from stop lamp switch.
3. Loosen the stop lamp switch 45° counterclockwise.

BRAKE PEDAL

< PERIODIC MAINTENANCE >

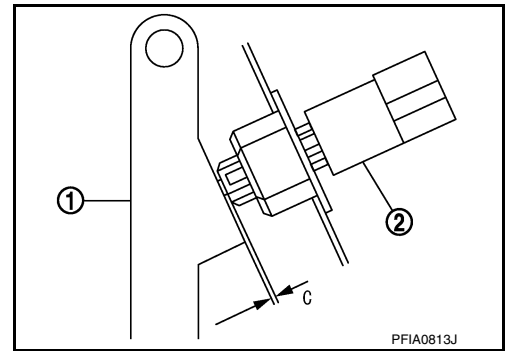
4. Press-fit the stop lamp switch (2) until the stop lamp switch hits the brake pedal lever (1) 45° clockwise while pulling the brake pedal pad slightly.

CAUTION:

- The clearance (C) between the brake pedal lever and stop lamp switch threaded end must be the specified value.

C : Refer to [BR-68, "Brake Pedal"](#).

- The stop lamp must be turned off when the brake pedal is released.



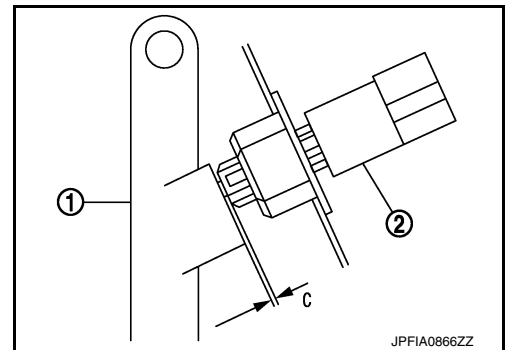
Brake Pedal Position Switch

1. Remove instrument lower panel. Refer to [IP-13, "Removal and Installation"](#).
2. Disconnect the harness connector from brake pedal position switch.
3. Loosen the brake pedal position switch 45° counterclockwise.
4. Press-fit the brake pedal position switch (2) until the brake pedal position switch hits the brake pedal lever (1) 45° clockwise while pulling the brake pedal pad slightly.

CAUTION:

The clearance (C) between the brake pedal lever and brake pedal position switch threaded end must be the specified value.

C : Refer to [BR-68, "Brake Pedal"](#).



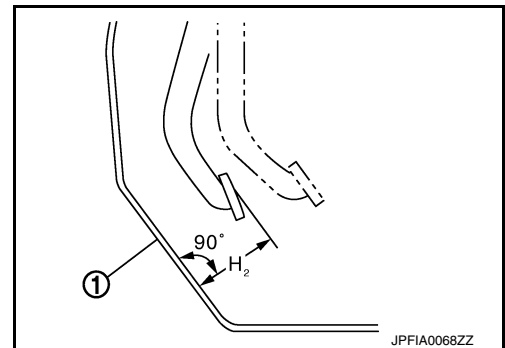
Depressed Brake Pedal Height

1. Perform the air bleeding. Refer to [BR-13, "Bleeding Brake System"](#).
2. Check the height between the dash lower panel (1) and the brake pedal upper surface (H₂) when depressing the brake pedal at 490 N (50 kg, 110 lb) while turning engine ON.

H₂ : Refer to [BR-68, "Brake Pedal"](#).

CAUTION:

Remove the floor trim.



BRAKE FLUID

< PERIODIC MAINTENANCE >

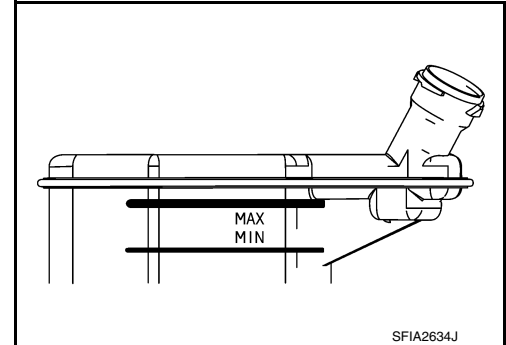
BRAKE FLUID

Inspection

INFOID:000000012200266

BRAKE FLUID LEVEL

- Check that the fluid level in the reservoir tank is within the specified range (MAX – MIN lines).
- Visually check for any brake fluid leakage around the reservoir tank.
- Check the brake system for any leakage if the fluid level is extremely low (lower than MIN).
- Check the brake system for fluid leakage if the warning lamp remains illuminated even after the parking brake is released.
- Check the reservoir tank for the mixing of foreign matter (e.g. dust) and oils other than brake fluid.

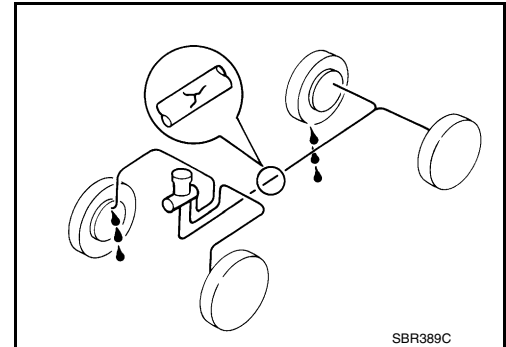


BRAKE LINE

1. Check brake line (tubes and hoses) for cracks, deterioration or other damage. Replace any damaged parts.
2. Depress the brake pedal with a force of 785 N (80 kg, 176 lb) and hold down the pedal for approximately 5 seconds with the engine running. Check for any fluid leakage.

CAUTION:

Retighten the applicable connection to the specified torque and repair any abnormal (damaged, worn or deformed) part if any brake fluid leakage is present.



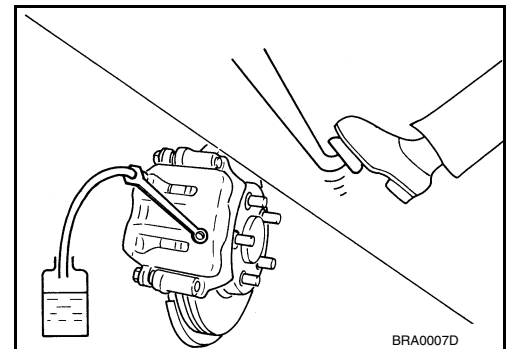
Draining

INFOID:000000012200267

CAUTION:

- **Never spill or splash brake fluid on painted surfaces. Brake fluid may seriously damage paint. Wipe it off immediately and wash with water if it gets on a painted surface. For brake component parts, never wash them with water.**
- **Turn the ignition switch OFF and disconnect the ABS actuator and electric unit (control unit) harness connector or the battery negative terminal before performing work.**

1. Connect a vinyl tube to the bleed valve.
2. Depress the brake pedal and loosen the bleeder valve to gradually discharge brake fluid.



Refilling

INFOID:000000012200268

CAUTION:

- **Turn the ignition switch OFF and disconnect the ABS actuator and electric unit (control unit) harness connector or the battery negative terminal before performing work.**

BRAKE FLUID

< PERIODIC MAINTENANCE >

- **Never spill or splash brake fluid on painted surfaces. Brake fluid may seriously damage paint. Wipe it off immediately and wash with water if it gets on a painted surface. For brake component parts, never wash them with water.**
1. Check that there is no foreign material in the reservoir tank, and refill with new brake fluid.
CAUTION:
 - **Never reuse drained brake fluid.**
 - **Never allow foreign matter (e.g. dust) and oils other than brake fluid to enter the reservoir tank.**
 2. Loosen the bleeder valve, slowly depress the brake pedal to the full stroke, and then release the pedal. Repeat this operation at intervals of 2 or 3 seconds until new brake fluid is discharged. Then close the bleeder valve with the brake pedal depressed. Repeat the same work on each wheel.
 3. Perform the air bleeding. Refer to [BR-13. "Bleeding Brake System"](#).

Bleeding Brake System

INFOID:000000012200269

CAUTION:

- **Turn the ignition switch OFF and disconnect the ABS actuator and electric unit (control unit) harness connector or the battery negative terminal before performing the work.**
 - **Monitor the fluid level in the reservoir tank while performing the air bleeding**
 - **Never spill or splash brake fluid on painted surfaces. Brake fluid may seriously damage paint. Wipe it off immediately and wash with water if it gets on a painted surface. For brake component parts, never wash them with water.**
1. Check that there is no foreign material in the reservoir tank, and refill with new brake fluid.
CAUTION:
 - **Never reuse drained brake fluid.**
 - **Never allow oils other than brake fluid to enter the reservoir tank.**
 2. Connect a vinyl tube to the bleeder valve of the rear right brake.
 3. Fully depress the brake pedal 4 to 5 times.
 4. Loosen the bleeder valve and bleed air with the brake pedal depressed, and then quickly tighten the bleeder valve.
 5. Repeat steps 3 and 4 until all of the air is out of the brake line.
 6. Tighten the bleeder valve to the specified torque.
 - Front disc brake: Refer to [BR-53. "BRAKE CALIPER ASSEMBLY : Exploded View"](#).
 - Rear disc brake: Refer to [BR-63. "BRAKE CALIPER ASSEMBLY : Exploded View"](#).
 7. Perform steps 2 to 6. Occasionally fill with the brake fluid in order to keep it in the reservoir tank at least half of MAX line. Bleed air in the following order: rear right brake → front left brake → rear left brake → and front right brake in order.
 8. Check that the fluid level in the reservoir tank is within the specified range after air bleeding. Refer to [BR-12. "Inspection"](#).
 9. Check each item of brake pedal. Adjust it if the measurement value is not the standard. Refer to [BR-9. "Inspection and Adjustment"](#).

BRAKE MASTER CYLINDER

< PERIODIC MAINTENANCE >

BRAKE MASTER CYLINDER

Inspection

INFOID:000000012200270

FLUID LEAK

Check for brake fluid leakage from the master cylinder mounting face, reservoir tank mounting face and brake tube connections.

BRAKE BOOSTER

< PERIODIC MAINTENANCE >

BRAKE BOOSTER

Inspection

INFOID:000000012200271

OPERATION

Depress the brake pedal several times at 5-second intervals with the engine stopped. Start the engine with the brake pedal fully depressed. Check that the clearance between brake pedal and dash lower panel decreases.

NOTE:

A slight impact with a small click may be felt on the pedal when the brake pedal is fully depressed. This is a normal phenomenon due to the brake system operation.

AIR TIGHT

1. Run the engine at idle for 1 minute to apply vacuum to the brake booster, and stop the engine.
2. Depress the brake pedal several times at 5-second intervals until the accumulated vacuum is released to atmospheric pressure. Check that the clearance between brake pedal and dash lower panel gradually increases each time the brake pedal is depressed when performing this operation.
3. Depress the brake pedal with the engine running. Then stop the engine while holding down the brake pedal. Check that the brake pedal stroke does not change after holding down the brake pedal for 30 seconds or more.

A
B
C
D
E
BR
G
H
I
J
K
L
M
N
O
P

FRONT DISC BRAKE

< PERIODIC MAINTENANCE >

FRONT DISC BRAKE BRAKE PAD

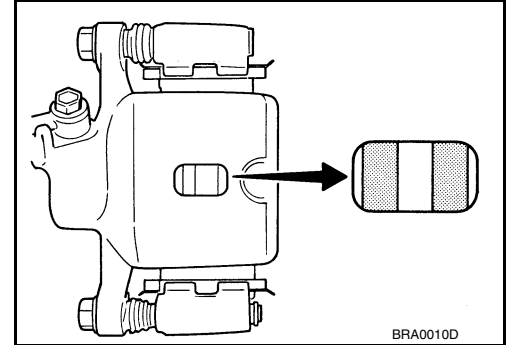
BRAKE PAD : Inspection and Adjustment

INFOID:000000012200272

INSPECTION

Check brake pad wear thickness from an inspection hole on cylinder body. Check using a scale if necessary.

Wear thickness : Refer to [BR-68, "Front Disc Brake"](#).



ADJUSTMENT

Burnish contact surfaces between disc rotor and brake pads according to the following procedure after refinishing or replacing brake pads, or if a soft pedal occurs at very low mileage.

CAUTION:

- **Be careful of vehicle speed because the brake does not operate firmly/securely until pads and disc rotor are securely fitted.**
 - **Only perform this procedure under safe road and traffic conditions. Use extreme caution.**
1. Drive vehicle on straight, flat road.
 2. Depress brake pedal with the power to stop vehicle within 3 to 5 seconds until the vehicle stops.
 3. Drive without depressing brake for a few minutes to cool the brake.
 4. Repeat steps 1 to 3 until pad and disc rotor are securely fitted.

DISC ROTOR

DISC ROTOR : Inspection and Adjustment

INFOID:000000012200273

INSPECTION

Appearance

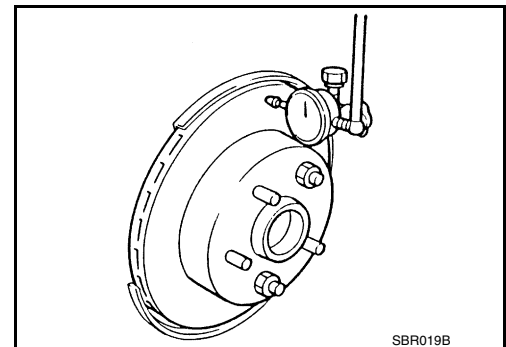
Check surface of disc rotor for uneven wear, cracks, and serious damage. Replace it if necessary.

- Except NISMO RS: Refer to [FAX-66, "Removal and Installation"](#).
- NISMO RS: Refer to [FAX-11, "Removal and Installation"](#).

Runout

1. Fix the disc rotor to the wheel hub and bearing assembly with wheel nuts (2 points at least).
2. Check the wheel bearing axial end play before the inspection.
 - Except NISMO RS: Refer to [FAX-64, "Inspection"](#).
 - NISMO RS: Refer to [FAX-9, "Inspection"](#).
3. Inspect the runout with a dial indicator to measure at 10 mm (0.39 in) inside the disc edge.

Runout (with it attached to the vehicle) : Refer to [BR-68, "Front Disc Brake"](#).



4. Find the installation position that has a minimum runout by shifting the disc rotor-to-wheel hub and bearing assembly installation position by one hole at a time if the runout exceeds the limit value.
- Refinish the disc rotor if the runout is outside the limit even after performing the above operation. [When refinishing, use the Pro-Cut PEM On-Car brake Lathe (Tool No. 38-PFM90.5) or equivalent.]

FRONT DISC BRAKE

< PERIODIC MAINTENANCE >

- Check in advance that the thickness of the disc rotor is wear thickness + 0.3 mm (0.012 in) or more.
- If the thickness is less than wear thickness + 0.3 mm (0.012 in), replace the disc rotor.
- Except NISMO RS: Refer to [FAX-66, "Removal and Installation"](#).
- NISMO RS: Refer to [FAX-11, "Removal and Installation"](#).

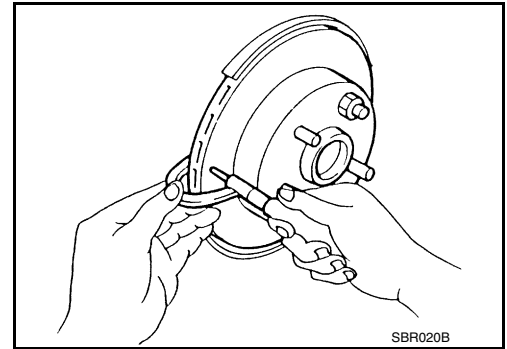
Wear thickness : Refer to [BR-68, "Front Disc Brake"](#).

Thickness

Check the thickness of the disc rotor using a micrometer. Replace the disc rotor if the thickness is below the wear limit.

- Except NISMO RS: Refer to [FAX-66, "Removal and Installation"](#).
- NISMO RS: Refer to [FAX-11, "Removal and Installation"](#).

Wear thickness : Refer to [BR-68, "Front Disc Brake"](#).



ADJUSTMENT

Burnish contact surfaces between disc rotors and brake pads according to the following procedure after refinishing or replacing disc rotor, or if a soft pedal occurs at very low mileage.

CAUTION:

- Be careful of vehicle speed because the brake does not operate firmly/securely until pad and disc rotor are securely fitted.
 - Only perform this procedure under safe road and traffic conditions. Use extreme caution.
1. Drive vehicle on straight, flat road.
 2. Depress brake pedal with the power to stop vehicle within 3 to 5 seconds until the vehicle stops.
 3. Drive without depressing brake for a few minutes to cool the brake.
 4. Repeat steps 1 to 3 until pad and disc rotor are securely fitted.

REAR DISC BRAKE

< PERIODIC MAINTENANCE >

REAR DISC BRAKE

BRAKE PAD

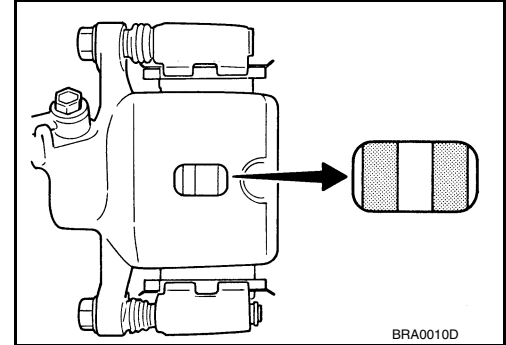
BRAKE PAD : Inspection and Adjustment

INFOID:000000012200274

INSPECTION

Check brake pad wear thickness from an inspection hole on cylinder body. Check using a scale if necessary.

Wear thickness : Refer to [BR-69, "Rear Disc Brake"](#).



ADJUSTMENT

Burnish contact surfaces between disc rotor and brake pads according to the following procedure after refinishing or replacing brake pads, or if a soft pedal occurs at very low mileage.

CAUTION:

- **Be careful of vehicle speed because the brake does not operate firmly/securely until pads and disc rotor are securely fitted.**
- **Only perform this procedure under safe road and traffic conditions. Use extreme caution.**

1. Drive vehicle on straight, flat road.
2. Depress brake pedal with the power to stop vehicle within 3 to 5 seconds until the vehicle stops.
3. Drive without depressing brake for a few minutes to cool the brake.
4. Repeat steps 1 to 3 until pad and disc rotor are securely fitted.

DISC ROTOR

DISC ROTOR : Inspection and Adjustment

INFOID:000000012200275

INSPECTION

Appearance

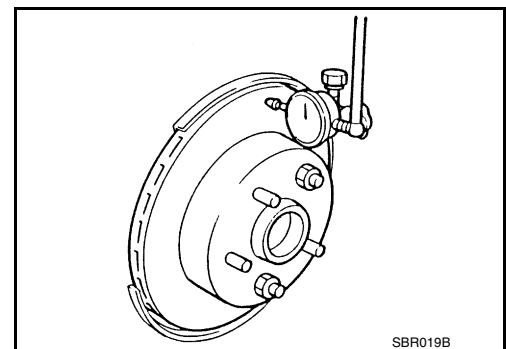
Check surface of disc rotor for uneven wear, cracks, and serious damage. Replace it if necessary.

- 2WD: Refer to [RAX-7, "Removal and Installation"](#).
- AWD: Refer to [RAX-16, "Removal and Installation"](#).

Runout

1. Fix the disc rotor to the wheel hub and bearing assembly with wheel nuts (2 points at least).
2. Check the wheel bearing axial end play before the inspection.
 - 2WD: Refer to [RAX-6, "Inspection"](#).
 - AWD: Refer to [RAX-14, "Inspection"](#).
3. Inspect the runout with a dial indicator to measure at 10 mm (0.39 in) inside the disc edge.

Runout (with it attached to the vehicle) : Refer to [BR-69, "Rear Disc Brake"](#).



4. Find the installation position that has a minimum runout by shifting the disc rotor-to-wheel hub and bearing assembly installation position by one hole at a time if the runout exceeds the limit value.
- Refinish the disc rotor if the runout is outside the limit even after performing the above operation. [When refinishing, use the Pro-Cut PEM On-Car brake Lathe (Tool No. 38-PFM90.5) or equivalent.]

REAR DISC BRAKE

< PERIODIC MAINTENANCE >

- Check in advance that the thickness of the disc rotor is wear thickness + 0.3 mm (0.012 in) or more.
- If the thickness is less than wear thickness + 0.3 mm (0.012 in), replace the disc rotor.
- 2WD: Refer to [RAX-7, "Removal and Installation"](#).
- AWD: Refer to [RAX-16, "Removal and Installation"](#).

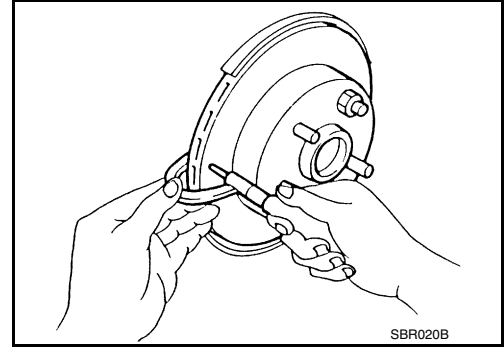
Wear thickness : Refer to [BR-69, "Rear Disc Brake"](#).

Thickness

Check the thickness of the disc rotor using a micrometer. Replace the disc rotor if the thickness is below the wear limit.

- 2WD: Refer to [RAX-7, "Removal and Installation"](#).
- AWD: Refer to [RAX-16, "Removal and Installation"](#).

Wear thickness : Refer to [BR-69, "Rear Disc Brake"](#).



ADJUSTMENT

Burnish contact surfaces between disc rotors and brake pads according to the following procedure after refinishing or replacing disc rotor, or if a soft pedal occurs at very low mileage.

CAUTION:

- Be careful of vehicle speed because the brake does not operate firmly/securely until pad and disc rotor are securely fitted.
 - Only perform this procedure under safe road and traffic conditions. Use extreme caution.
1. Drive vehicle on straight, flat road.
 2. Depress brake pedal with the power to stop vehicle within 3 to 5 seconds until the vehicle stops.
 3. Drive without depressing brake for a few minutes to cool the brake.
 4. Repeat steps 1 to 3 until pad and disc rotor are securely fitted.

BRAKE PEDAL

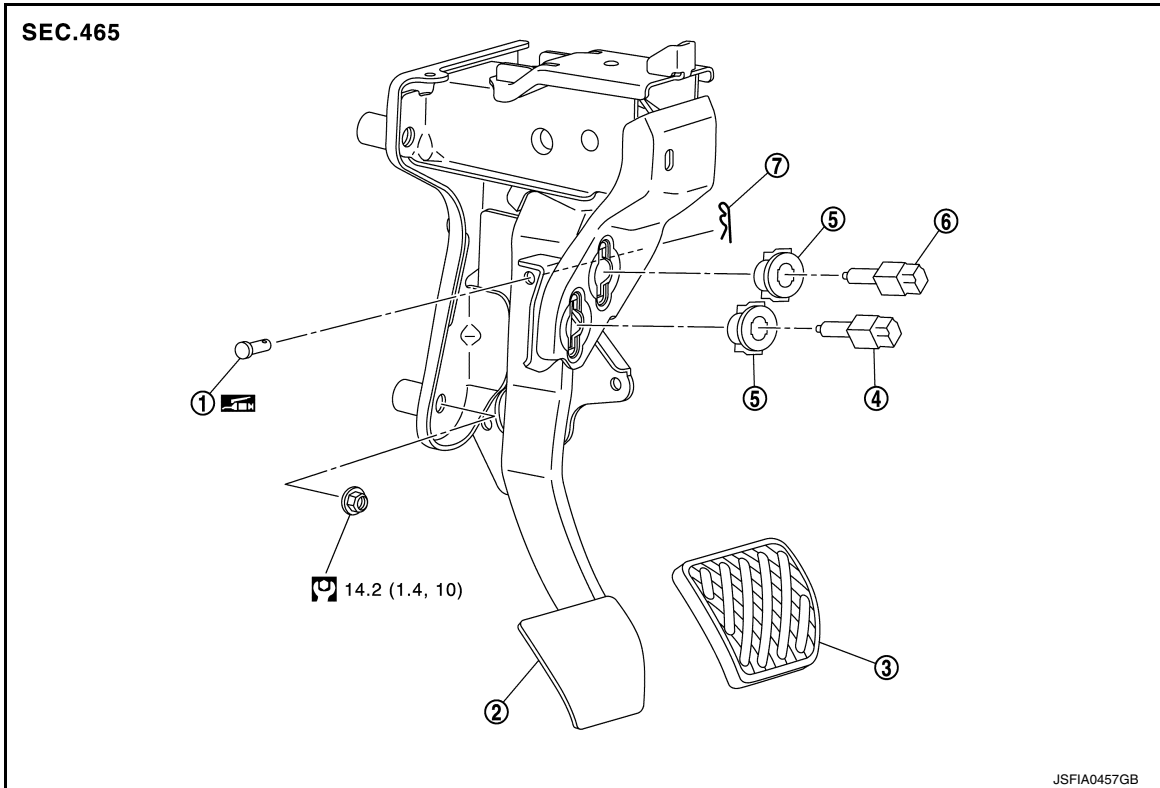
< REMOVAL AND INSTALLATION >

REMOVAL AND INSTALLATION


BRAKE PEDAL


Exploded View

INFOID:000000012200276



- | | | |
|--------------------------------|-------------------------|---------------------|
| 1. Clevis pin | 2. Brake pedal assembly | 3. Brake pedal pad |
| 4. Brake pedal position switch | 5. Clip | 6. Stop lamp switch |
| 7. Snap pin | | |

: Apply multi-purpose grease.

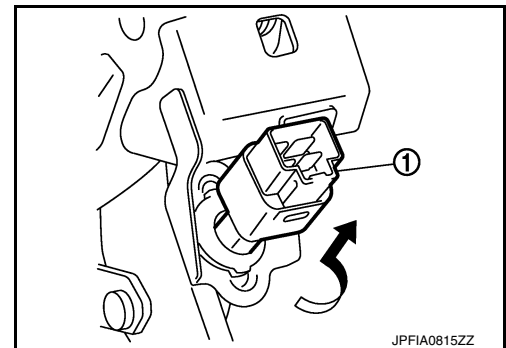
: N·m (kg-m, ft-lb)

Removal and Installation

INFOID:000000012200277

REMOVAL

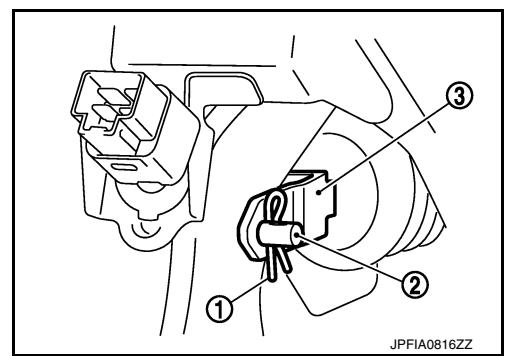
1. Remove instrument lower panel. Refer to [IP-13, "Removal and Installation"](#).
2. Disconnect the stop lamp switch and the brake pedal position switch harness connectors.
3. Rotate the stop lamp switch and the brake pedal position switch (1) counter clockwise to remove.
4. Disconnect the accelerator pedal harness connector and harness clip.



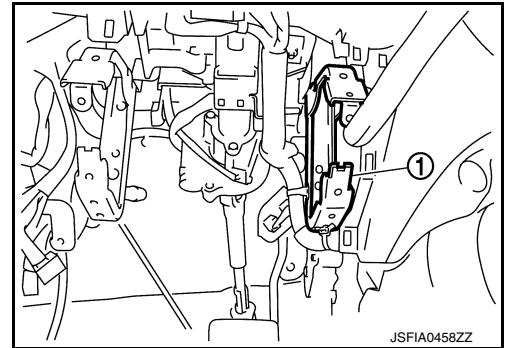
BRAKE PEDAL

< REMOVAL AND INSTALLATION >

5. Remove snap pin (1) and clevis pin (2) from clevis (3) of brake booster.



6. Remove the steering member stay (1).
7. Remove the brake pedal assembly.
CAUTION:
Hold the brake booster and master cylinder assembly so as not to drop out or contact them other parts.
8. Remove accelerator pedal from brake pedal assembly. Refer to [ACC-4, "Removal and Installation"](#).
9. Perform inspection after removal. Refer to [BR-21, "Inspection and Adjustment"](#).



INSTALLATION

Note the following, and install in the reverse order of removal.

- Apply the multi-purpose grease to the clevis pin and the mating faces. (Not necessary if grease has been already applied)

NOTE:

The clevis pin may be inserted in either direction.

- Perform adjustment after installation. Refer to [BR-21, "Inspection and Adjustment"](#).

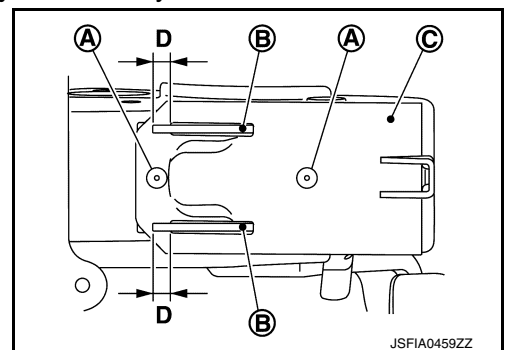
Inspection and Adjustment

INFOID:0000000012200278

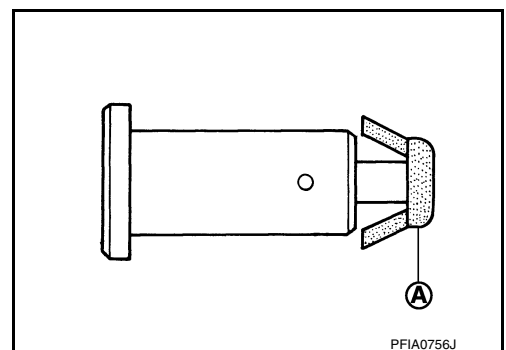
INSPECTION AFTER REMOVAL

- Check for the following items and replace the brake pedal assembly if necessary.
 - Check the brake pedal upper rivet (made by aluminum) (A) for deformation.
 - Check the brake pedal for bend, damage, and cracks on the welded parts.
 - Check the lapping length (D) of sub-bracket (B) and slide plate (C).

D : 6.5 mm (0.256 in) or more



- Check clevis pin and plastic stopper (A) for damage and deformation. If any is found, replace clevis pin.



BRAKE PEDAL

< REMOVAL AND INSTALLATION >

ADJUSTMENT AFTER INSTALLATION

- Adjust each item of brake pedal after installing the brake pedal assembly to the vehicle. Refer to [BR-9. "Inspection and Adjustment"](#).
- Perform the release position learning of the accelerator pedal. Refer to [EC-160. "Work Procedure"](#).

BRAKE PIPING

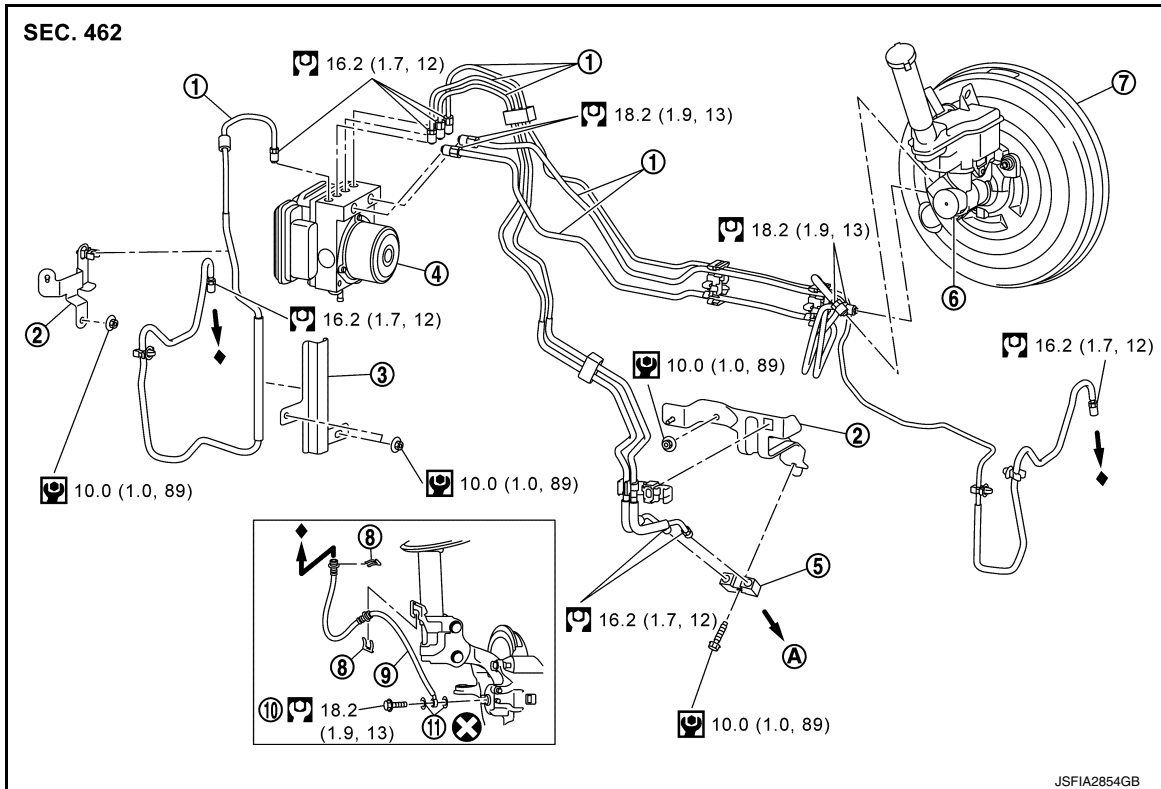
< REMOVAL AND INSTALLATION >

BRAKE PIPING FRONT

FRONT : Exploded View

INFOID:000000012200279

EXCEPT NISMO RS



- | | | |
|--|-------------------|-----------------------------|
| 1. Brake tube | 2. Bracket | 3. Heat insulator |
| 4. ABS actuator and electric unit (control unit) | 5. Connector | 6. Master cylinder assembly |
| 7. Brake booster | 8. Lock plate | 9. Brake hose |
| 10. Union bolt | 11. Copper washer | |

A. To rear brake tube

: N·m (kg-m, ft-lb)

: N·m (kg-m, in-lb)

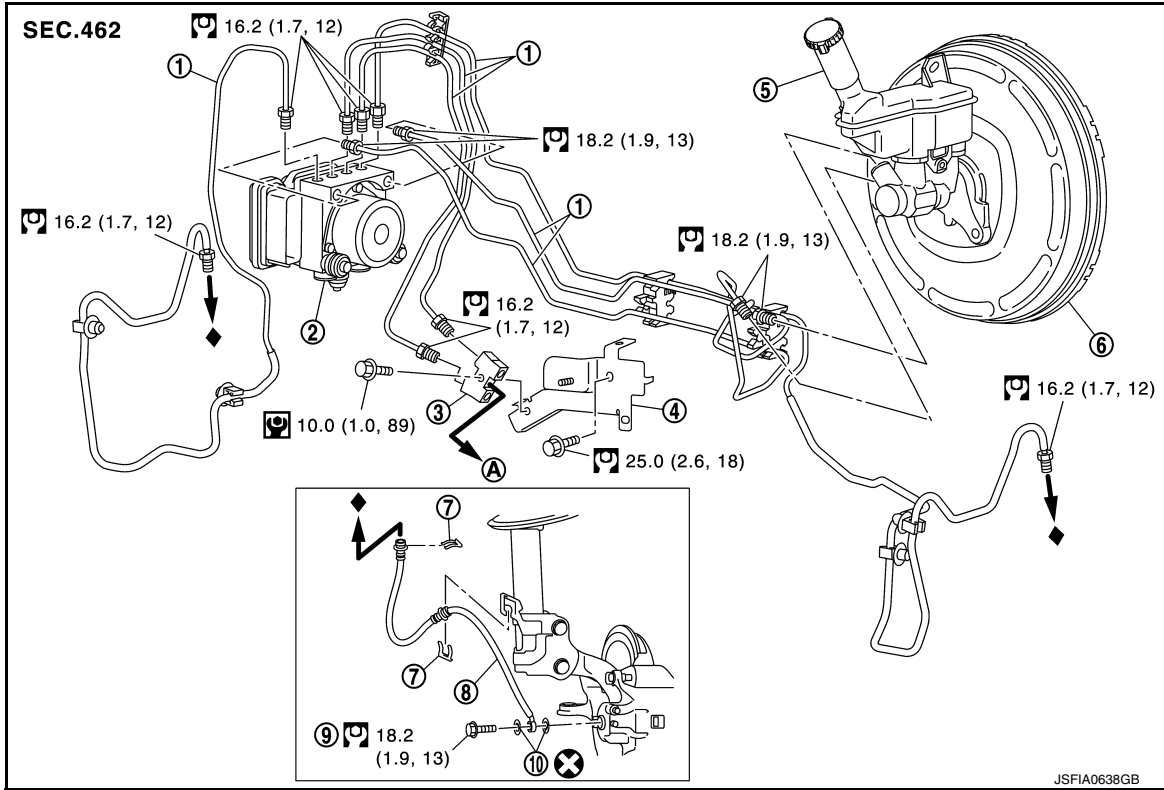
: Always replace after every disassembly.

: Indicates that the part is connected at points with same symbol in actual vehicle.

NISMO RS

BRAKE PIPING

< REMOVAL AND INSTALLATION >



- | | | |
|----------------------|--|------------------|
| 1. Brake tube | 2. ABS actuator and electric unit (control unit) | 3. Connector |
| 4. Connector bracket | 5. Master cylinder assembly | 6. Brake booster |
| 7. Lock plate | 8. Brake hose | 9. Union bolt |
| 10. Copper washer | | |
- A. To rear brake tube

: N·m (kg-m, ft-lb)

: N·m (kg-m, in-lb)

: Always replace after every disassembly.

: Indicates that the part is connected at points with same symbol in actual vehicle.

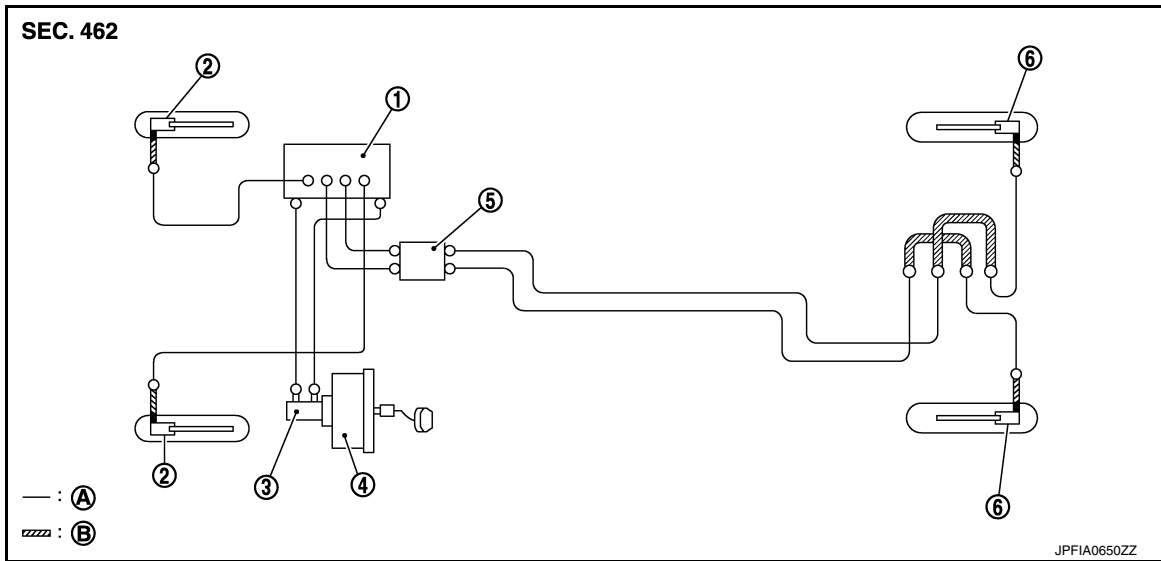
FRONT : Hydraulic Piping

INFOID:000000012200280

2WD

BRAKE PIPING

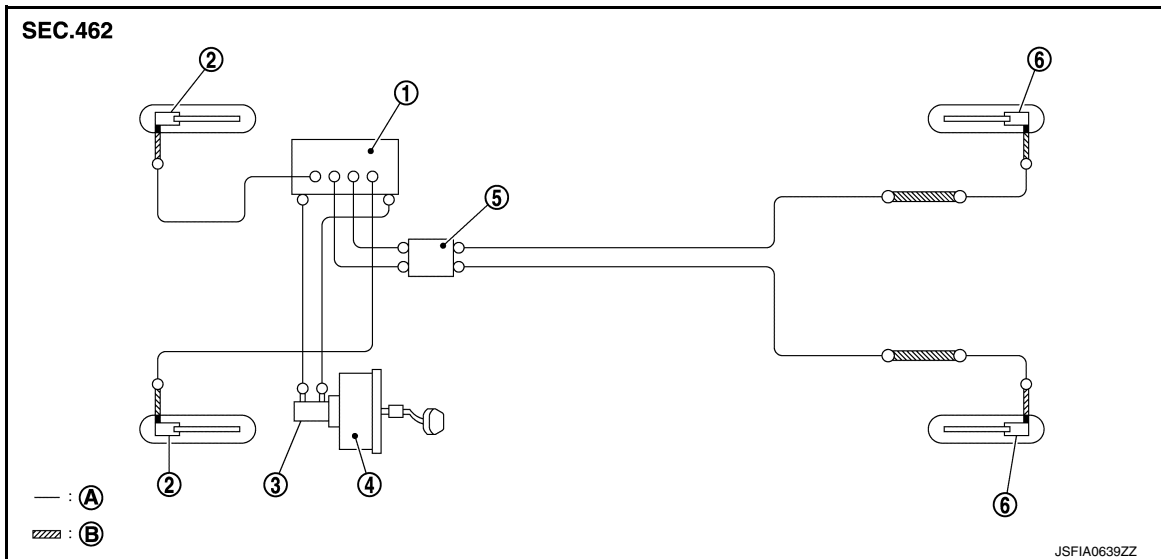
< REMOVAL AND INSTALLATION >



- | | | |
|--|---------------------|-----------------------------|
| 1. ABS actuator and electric unit (control unit) | 2. Front disc brake | 3. Master cylinder assembly |
| 4. Brake booster | 5. Connector | 6. Rear disc brake |
| A. Brake tube | B. Brake hose | |

- : Flare nut
 ■ : Union bolt

AWD



- | | | |
|--|---------------------|-----------------------------|
| 1. ABS actuator and electric unit (control unit) | 2. Front disc brake | 3. Master cylinder assembly |
| 4. Brake booster | 5. Connector | 6. Rear disc brake |
| A. Brake tube | B. Brake hose | |

- : Flare nut
 ■ : Union bolt

FRONT : Removal and Installation

INFOID:000000012200281

REMOVAL

BRAKE PIPING

< REMOVAL AND INSTALLATION >

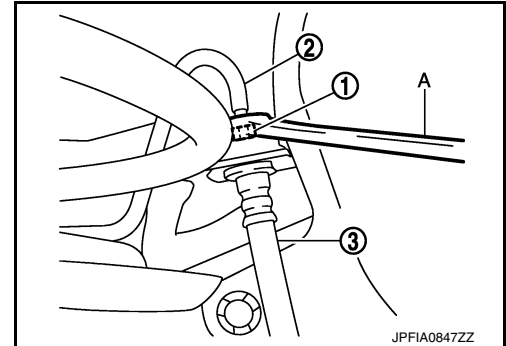
CAUTION:

- Never spill or splash brake fluid on painted surfaces. Brake fluid may seriously damage paint. Wipe it off immediately and wash with water if it gets on a painted surface. For brake component parts, never wash them with water.
- Never depress the brake pedal while removing the brake hose or brake tube. If this is not complied with, brake fluid may splash.

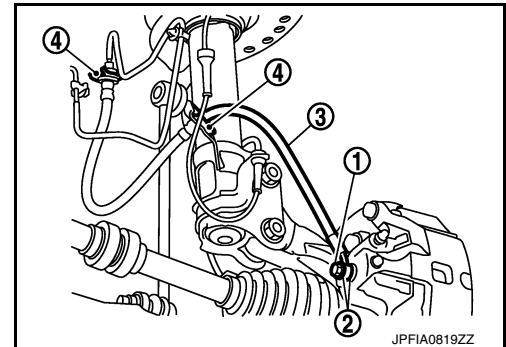
1. Remove tires with power tool.
2. Drain brake fluid. Refer to [BR-12, "Draining"](#).
3. Loosen the flare nut (1) with a flare nut wrench (A) and separate the brake tube (2) from the brake hose (3).

CAUTION:

- Never scratch the flare nut and the brake tube.
- Never bend sharply, twist or strongly pull out the brake hoses and tubes.
- Cover open end of brake tubes and hoses when disconnecting to prevent entrance of dirt.



4. Remove the union bolt (1) and copper washers (2), and remove the brake hose (3) from the brake caliper assembly.
5. Remove the lock plate (4) and remove the brake hose.



INSTALLATION

CAUTION:

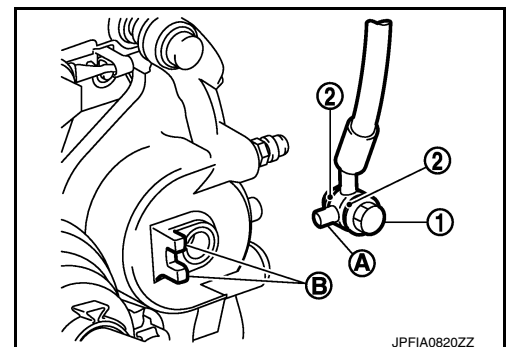
- Never spill or splash brake fluid on painted surfaces. Brake fluid may seriously damage paint. Wipe it off immediately and wash with water if it gets on a painted surface. For brake component parts, never wash them with water.
- Never depress the brake pedal while removing the brake hose or brake tube. If this is not complied with, brake fluid may splash.

1. Assemble the union bolt (1) and the copper washer (2) to the brake hose.

CAUTION:

Never reuse the copper washer.

2. Align the brake hose pin (A) with the brake caliper assembly projection (B), and tighten the union bolt (1) to the specified torque.



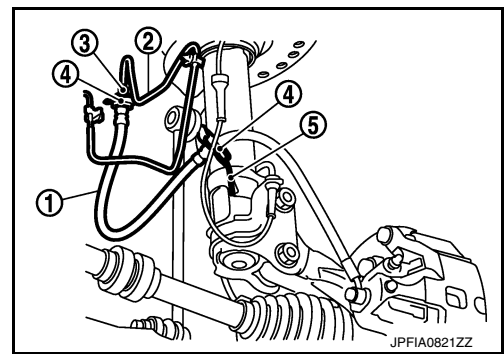
BRAKE PIPING

< REMOVAL AND INSTALLATION >

3. Install the brake tube (2) to the brake hose (1), temporarily tighten the flare nut (3) by hand until it does not rotate further, and fix the brake hose to the bracket (5) with the lock plate (4).

CAUTION:

Check that all brake hoses and brake tubes are not twisted and bent.



4. Tighten the flare nut to the specified torque with a crowfoot (A) and torque wrench (B).

CAUTION:

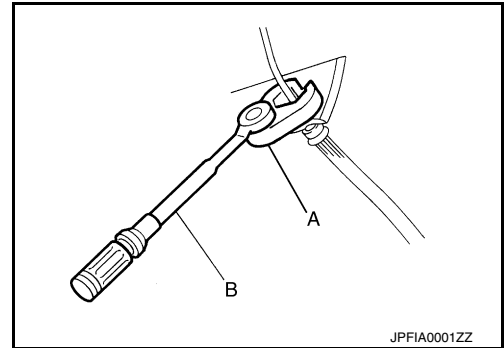
Never scratch the flare nut and the brake tube.

5. Refill with new brake fluid and perform the air bleeding. Refer to [BR-13, "Bleeding Brake System"](#).

CAUTION:

Never reuse drained brake fluid.

6. Install tires. Refer to [WT-39, "Removal and Installation"](#).
7. Perform inspection after installation. Refer to [BR-27, "FRONT : Inspection"](#).



FRONT : Inspection

INFOID:0000000112200282

INSPECTION AFTER INSTALLATION

1. Check the brake hoses and tubes for the following: no scratches; no twist and deformation; no interference with other components when steering the steering wheel; no looseness at connections.
2. Depress the brake pedal with a force of 785 N (80 kg, 176 lb) and hold down the pedal for approximately 5 seconds with the engine running. Check for any fluid leakage.

CAUTION:

Retighten the applicable connection to the specified torque and repair any abnormal (damaged, worn or deformed) part if any brake fluid leakage is present.

REAR

REAR : Exploded View

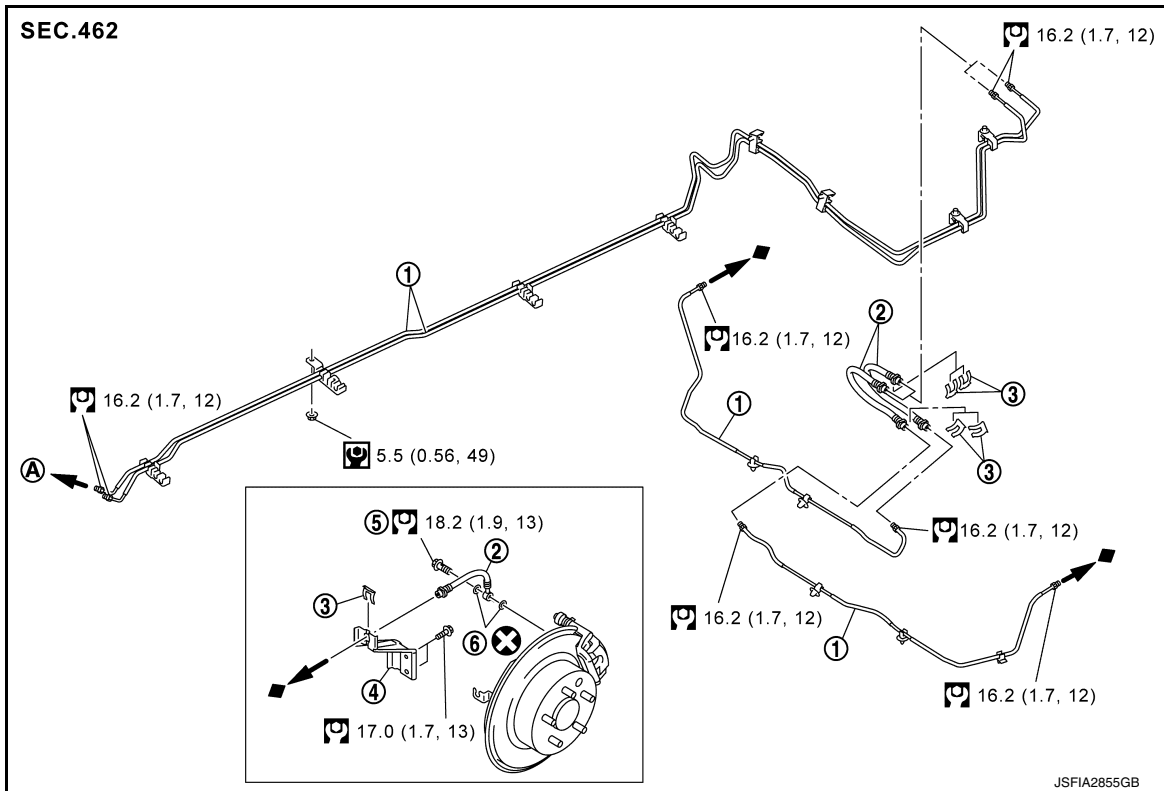
INFOID:0000000112200283

2WD

Except NISMO RS

BRAKE PIPING

< REMOVAL AND INSTALLATION >



- 1. Brake tube
- 4. Brake hose bracket
- A. To connector

- 2. Brake hose
- 5. Union bolt

- 3. Lock plate
- 6. Copper washer

: N·m (kg-m, ft-lb)

: N·m (kg-m, in-lb)

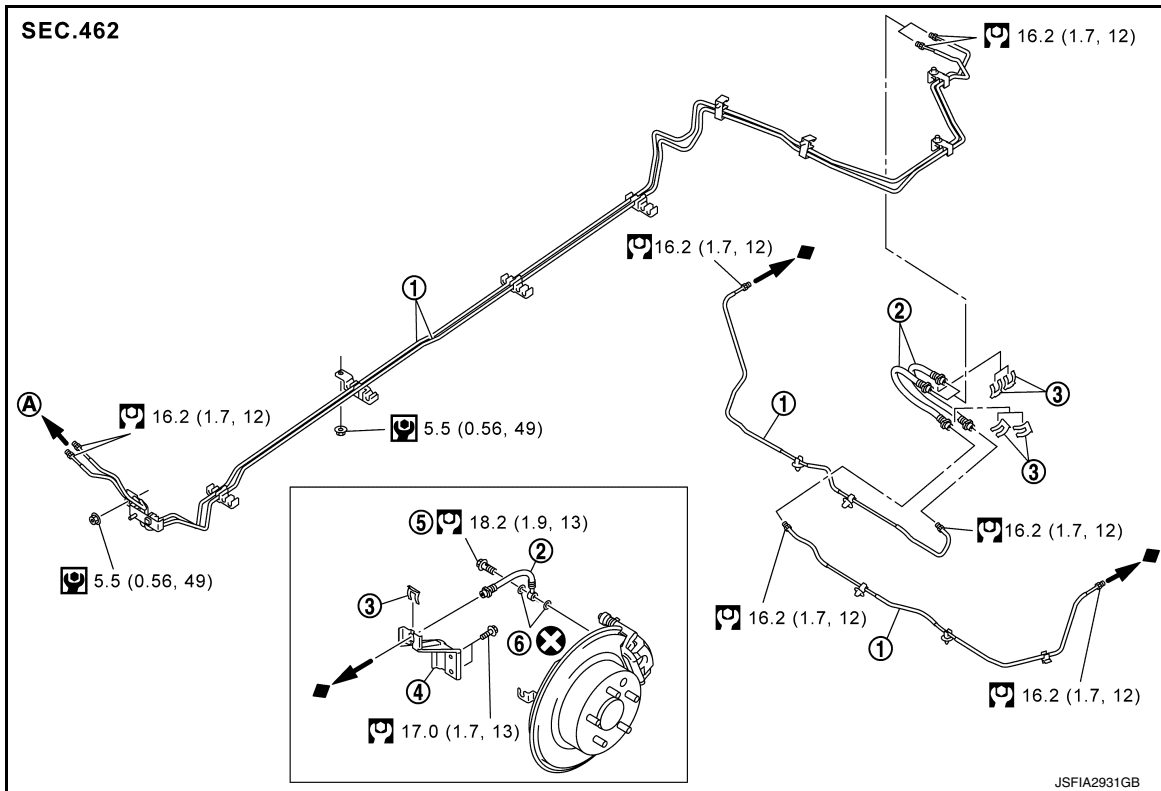
: Always replace after every disassembly.

: Indicates that the part is connected at points with same symbol in actual vehicle.

NISMO RS

BRAKE PIPING

< REMOVAL AND INSTALLATION >



- 1. Brake tube
- 4. Brake hose bracket
- A. To connector

- 2. Brake hose
- 5. Union bolt

- 3. Lock plate
- 6. Copper washer

: N·m (kg-m, ft-lb)

: N·m (kg-m, in-lb)

: Always replace after every disassembly.

: Indicates that the part is connected at points with same symbol in actual vehicle.

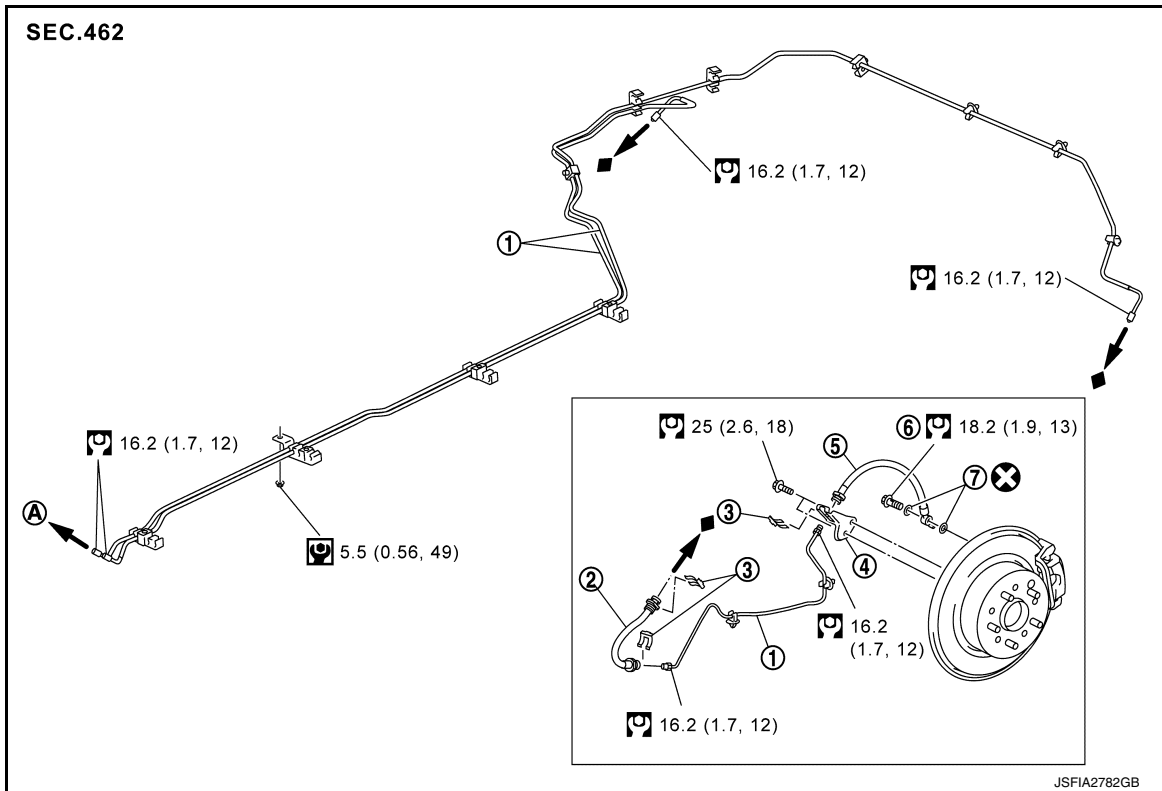
AWD

Except NISMO RS

A
B
C
D
E
BR
G
H
I
J
K
L
M
N
O
P

BRAKE PIPING

< REMOVAL AND INSTALLATION >



- | | | |
|-----------------------|-----------------|---------------|
| 1. Brake tube | 2. Brake hose A | 3. Lock plate |
| 4. Brake hose bracket | 5. Brake hose B | 6. Union bolt |
| 7. Copper washer | | |
| A. To connector | | |

: N·m (kg-m, ft-lb)

: N·m (kg-m, in-lb)

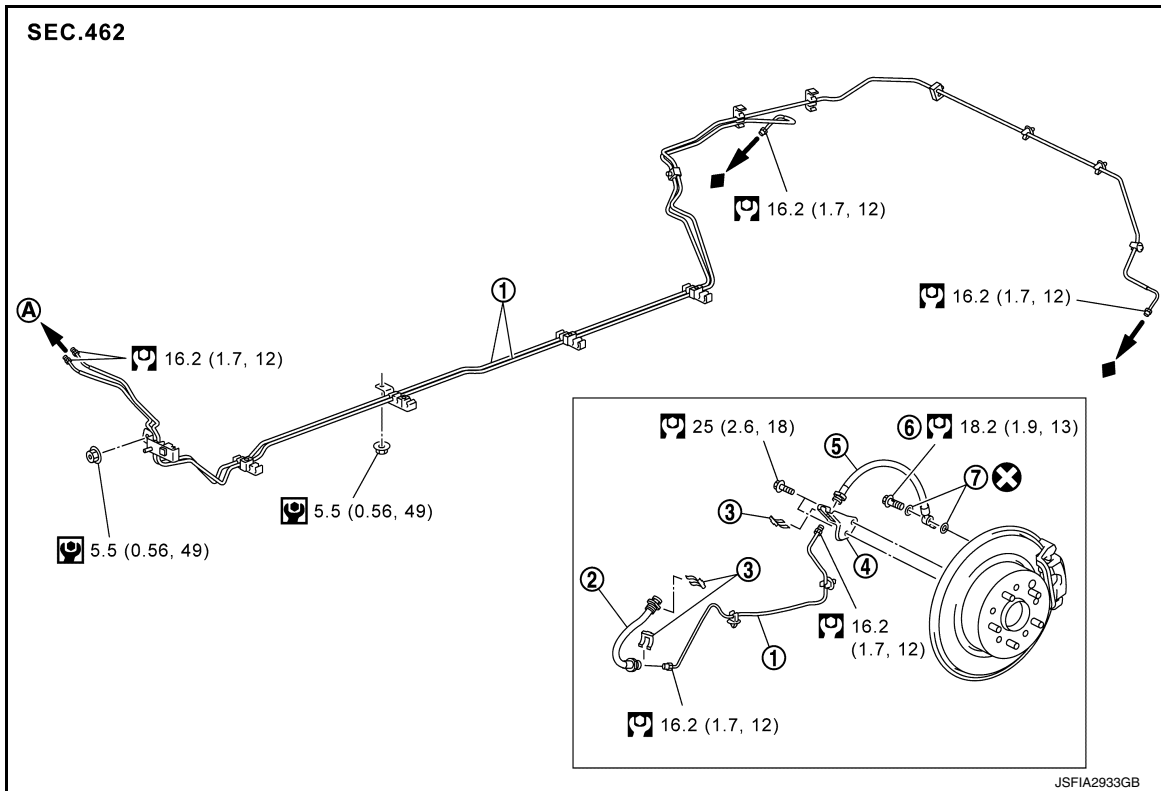
: Always replace after every disassembly.

: Indicates that the part is connected at points with same symbol in actual vehicle.

NISMO RS

BRAKE PIPING

< REMOVAL AND INSTALLATION >



- | | | |
|-----------------------|-----------------|---------------|
| 1. Brake tube | 2. Brake hose A | 3. Lock plate |
| 4. Brake hose bracket | 5. Brake hose B | 6. Union bolt |
| 7. Copper washer | | |
| A. To connector | | |

: N·m (kg-m, ft-lb)

: N·m (kg-m, in-lb)

: Always replace after every disassembly.

: Indicates that the part is connected at points with same symbol in actual vehicle.

REAR : Hydraulic Piping

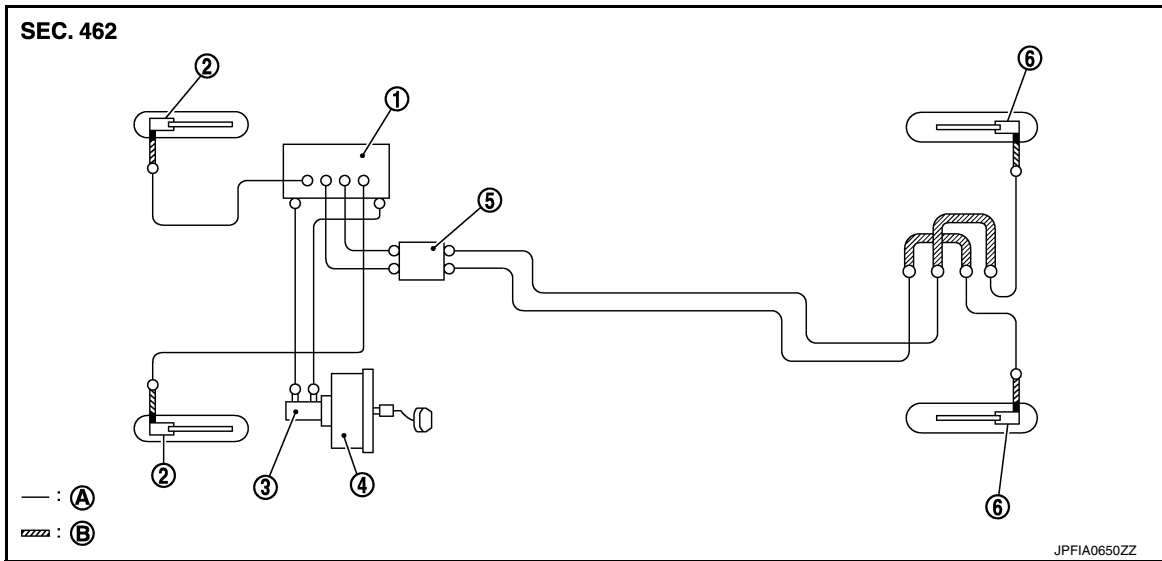
INFOID:000000012200284

2WD

A
B
C
D
E
BR
G
H
I
J
K
L
M
N
O
P

BRAKE PIPING

< REMOVAL AND INSTALLATION >

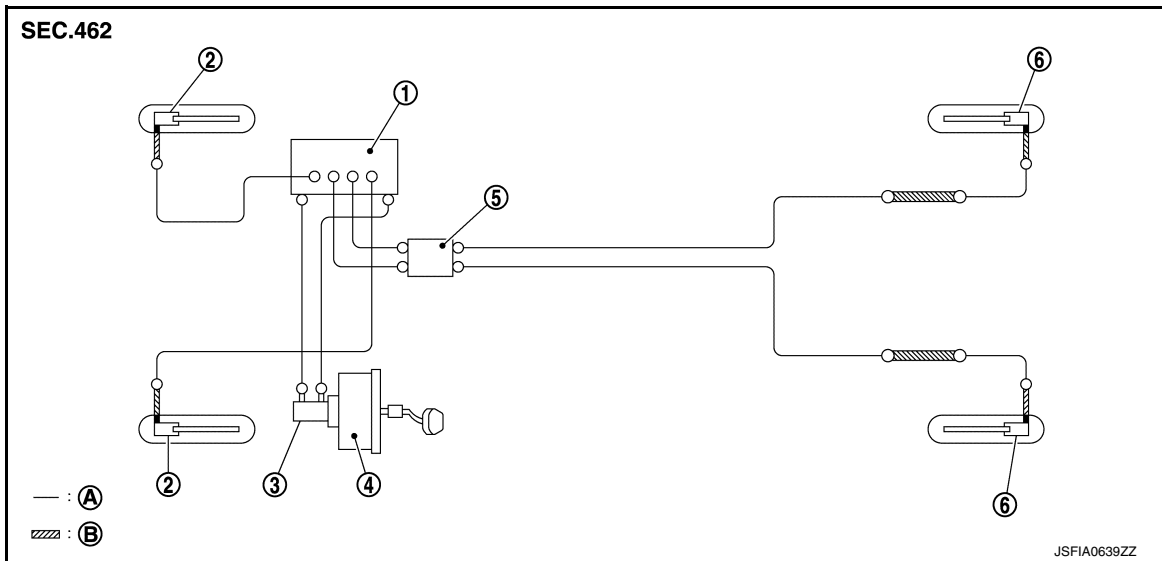


- | | | |
|--|---------------------|-----------------------------|
| 1. ABS actuator and electric unit (control unit) | 2. Front disc brake | 3. Master cylinder assembly |
| 4. Brake booster | 5. Connector | 6. Rear disc brake |
| A. Brake tube | B. Brake hose | |

○: Flare nut

■: Union bolt

AWD



- | | | |
|--|---------------------|-----------------------------|
| 1. ABS actuator and electric unit (control unit) | 2. Front disc brake | 3. Master cylinder assembly |
| 4. Brake booster | 5. Connector | 6. Rear disc brake |
| A. Brake tube | B. Brake hose | |

○: Flare nut

■: Union bolt

REAR : Removal and Installation

INFOID:000000012200285

REMOVAL

BRAKE PIPING

< REMOVAL AND INSTALLATION >

2WD

CAUTION:

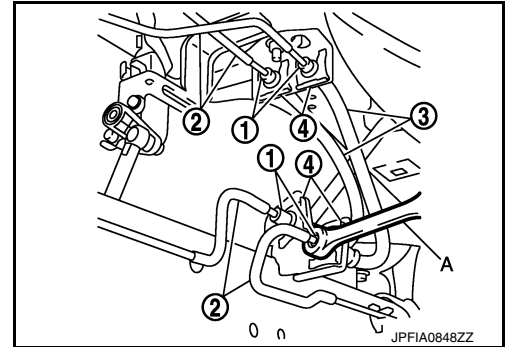
- Never spill or splash brake fluid on painted surfaces. Brake fluid may seriously damage paint. Wipe it off immediately and wash with water if it gets on a painted surface. For brake component parts, never wash them with water.
- Never depress the brake pedal while removing the brake hose or brake tube. If this is not complied with, brake fluid may splash.

1. Remove tires with power tool.
2. Drain brake fluid. Refer to [BR-12, "Draining"](#).
3. Loosen the flare nut (1) with a flare nut wrench (A) and separate the brake tube (2) from the brake hose (3).

CAUTION:

- Never scratch the flare nut and the brake tube.
- Never bend sharply, twist or strongly pull out the brake hoses and tubes.
- Cover open end of brake tubes and hoses when disconnecting to prevent entrance of dirt.

4. Remove the lock plate (4) and remove the brake hose.

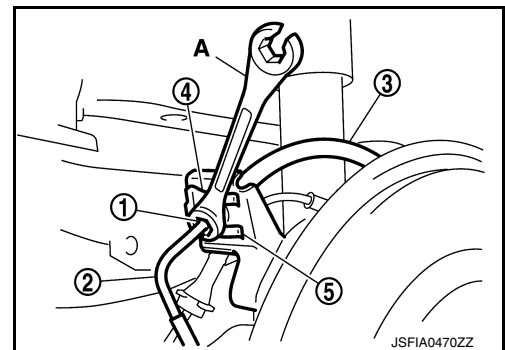


5. Loosen the flare nut (1) with a flare nut wrench (A) and separate the brake tube (2) from the hose (3).

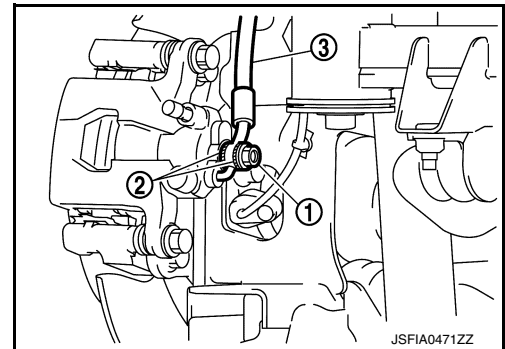
CAUTION:

- Never scratch the flare nut and the brake tube.
- Never bend sharply, twist or strongly pull out the brake hoses and tubes.
- Cover open end of brake tubes and hoses when disconnecting to prevent entrance of dirt.

6. Remove the lock plate (4) from brake hose bracket (5).



7. Remove the union bolt (1) and copper washers (2), and remove the brake hose (3) from the brake caliper assembly.



AWD

CAUTION:

- Never spill or splash brake fluid on painted surfaces. Brake fluid may seriously damage paint. Wipe it off immediately and wash with water if it gets on a painted surface. For brake component parts, never wash them with water.
- Never depress the brake pedal while removing the brake hose or brake tube. If this is not complied with, brake fluid may splash.

1. Remove tires with power tool.
2. Drain brake fluid. Refer to [BR-12, "Draining"](#).

BRAKE PIPING

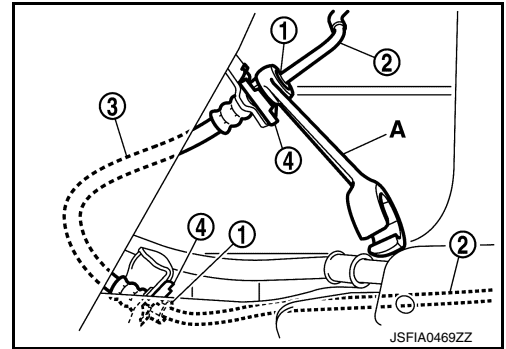
< REMOVAL AND INSTALLATION >

- Loosen the flare nut (1) with a flare nut wrench (A) and separate the brake tube (2) from the hose A (3).

CAUTION:

- Never scratch the flare nut and the brake tube.
- Never bend sharply, twist or strongly pull out the brake hoses and tubes.
- Cover open end of brake tubes and hoses when disconnecting to prevent entrance of dirt.

- Remove the lock plate (4) and remove the brake hose A.

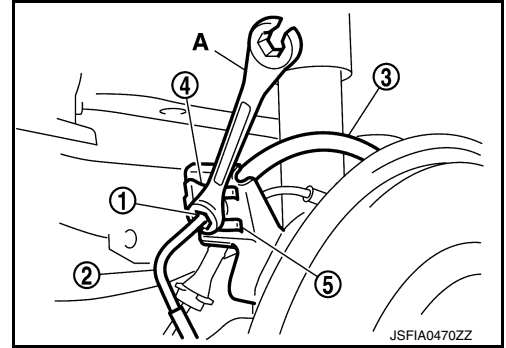


- Loosen the flare nut (1) with a flare nut wrench (A) and separate the brake tube (2) from the hose B (3).

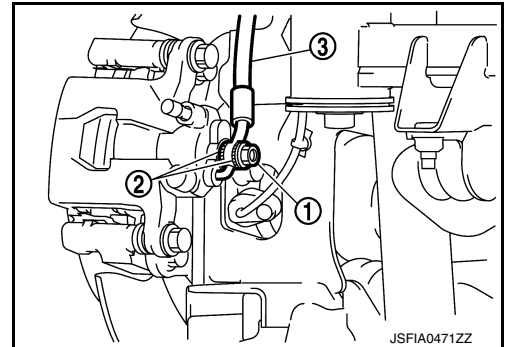
CAUTION:

- Never scratch the flare nut and the brake tube.
- Never bend sharply, twist or strongly pull out the brake hoses and tubes.
- Cover open end of brake tubes and hoses when disconnecting to prevent entrance of dirt.

- Remove the lock plate (4) from brake hose bracket (5).



- Remove the union bolt (1) and copper washers (2), and remove the brake hose B (3) from the brake caliper assembly.



INSTALLATION

2WD

CAUTION:

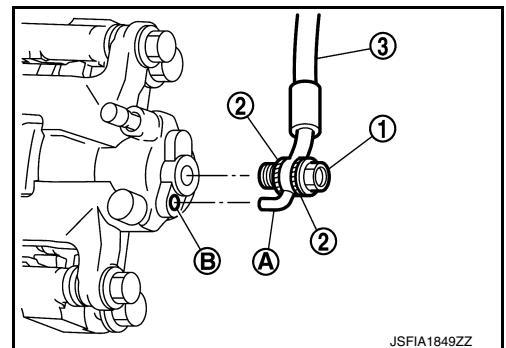
- Never spill or splash brake fluid on painted surfaces. Brake fluid may seriously damage paint. Wipe it off immediately and wash with water if it gets on a painted surface. For brake component parts, never wash them with water.
- Never depress the brake pedal while removing the brake hose or brake tube. If this is not complied with, brake fluid may splash.

- Assemble the union bolt (1) and the copper washer (2) to the brake hose (3).

CAUTION:

Never reuse the copper washer.

- Align the brake hose L-pin (A) with the brake caliper assembly hole (B), and tighten the union bolt (1) to the specified torque.



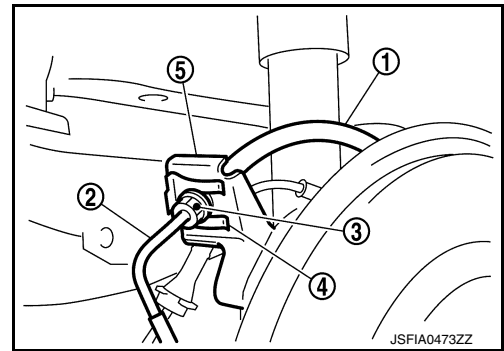
BRAKE PIPING

< REMOVAL AND INSTALLATION >

3. Install the brake tube (2) to the brake hose (1), temporarily tighten the flare nut (3) by hand until it does not rotate further, and fix the brake hose to the brake hose bracket (5) with the lock plate (4).

CAUTION:

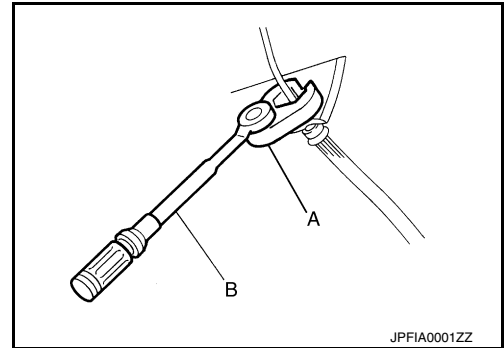
Check that all brake hoses and brake tubes are not twisted and bent.



4. Tighten the flare nut to the specified torque with a crowfoot (A) and torque wrench (B).

CAUTION:

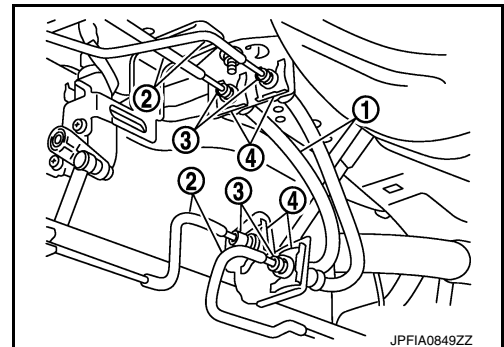
Never scratch the flare nut and the brake tube.



5. Install the brake tube (2) to the brake hose (1), temporarily tighten the flare nut (3) by hand until it does not rotate further, and fix the brake hose with the lock plate (4).

CAUTION:

Check that all brake hoses and brake tubes are not twisted and bent.



6. Tighten the flare nut to the specified torque with a crowfoot (A) and torque wrench (B).

CAUTION:

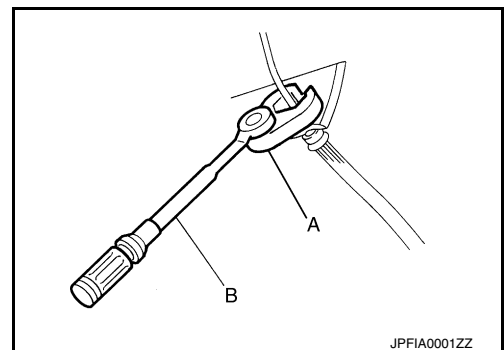
Never scratch the flare nut and the brake tube.

7. Refill with new brake fluid and perform the air bleeding. Refer to [BR-13, "Bleeding Brake System"](#).

CAUTION:

Never reuse drained brake fluid.

8. Install tires. Refer to [WT-39, "Removal and Installation"](#).
9. Perform inspection after installation. Refer to [BR-37, "REAR : Inspection"](#).



AWD

CAUTION:

- Never spill or splash brake fluid on painted surfaces. Brake fluid may seriously damage paint. Wipe it off immediately and wash with water if it gets on a painted surface. For brake component parts, never wash them with water.
- Never depress the brake pedal while removing the brake hose or brake tube. If this is not complied with, brake fluid may splash.

BRAKE PIPING

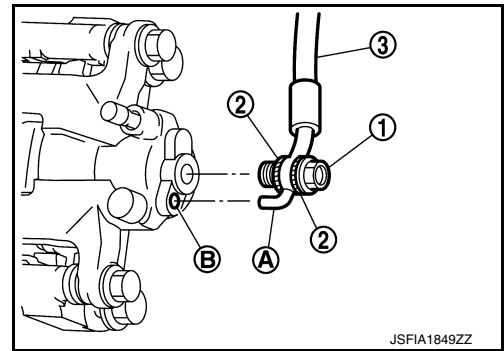
< REMOVAL AND INSTALLATION >

1. Assemble the union bolt (1) and the copper washer (2) to the brake hose B (3).

CAUTION:

Never reuse the copper washer.

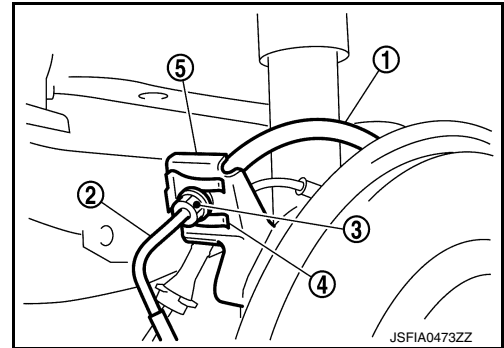
2. Align the brake hose B L-pin (A) with the brake caliper assembly hole (B), and tighten the union bolt (1) to the specified torque.



3. Install the brake tube (2) to the brake hose B (1), temporarily tighten the flare nut (3) by hand until it does not rotate further, and fix the brake hose B to the brake hose bracket (5) with the lock plate (4).

CAUTION:

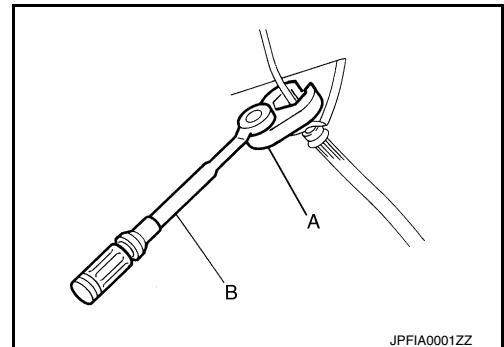
Check that all brake hoses and brake tubes are not twisted and bent.



4. Tighten the flare nut to the specified torque with a crowfoot (A) and torque wrench (B).

CAUTION:

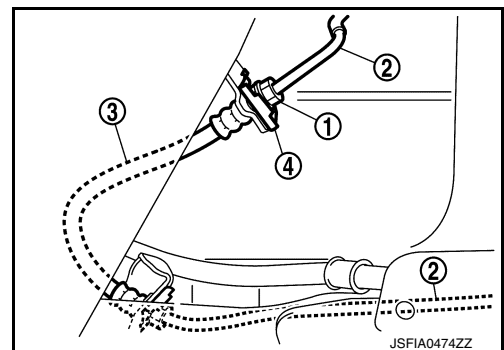
Never scratch the flare nut and the brake tube.



5. Install the brake tube (2) to the brake hose A (3), temporarily tighten the flare nut (1) by hand until it does not rotate further, and fix the brake hose A to the bracket with the lock plate (4).

CAUTION:

Check that all brake hoses and brake tubes are not twisted and bent.



BRAKE PIPING

< REMOVAL AND INSTALLATION >

6. Tighten the flare nut to the specified torque with a crowfoot (A) and torque wrench (B).

CAUTION:

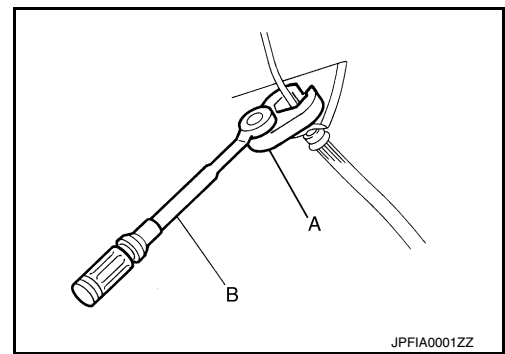
Never scratch the flare nut and the brake tube.

7. Refill with new brake fluid and perform the air bleeding. Refer to [BR-13, "Bleeding Brake System"](#).

CAUTION:

Never reuse drained brake fluid.

8. Install tires. Refer to [WT-39, "Removal and Installation"](#).
9. Perform inspection after installation. Refer to [BR-37, "REAR : Inspection"](#).



REAR : Inspection

INFOID:000000012200286

INSPECTION AFTER INSTALLATION

1. Check the brake hoses and tubes for the following: no scratches; no twist and deformation; no looseness at connections.
2. Depress the brake pedal with a force of 785 N (80kg, 176 lb) and hold down the pedal for approximately 5 seconds with the engine running. Check for any fluid leakage.

CAUTION:

Retighten the applicable connection to the specified torque and repair any abnormal (damaged, worn or deformed) part if any brake fluid leakage is present.

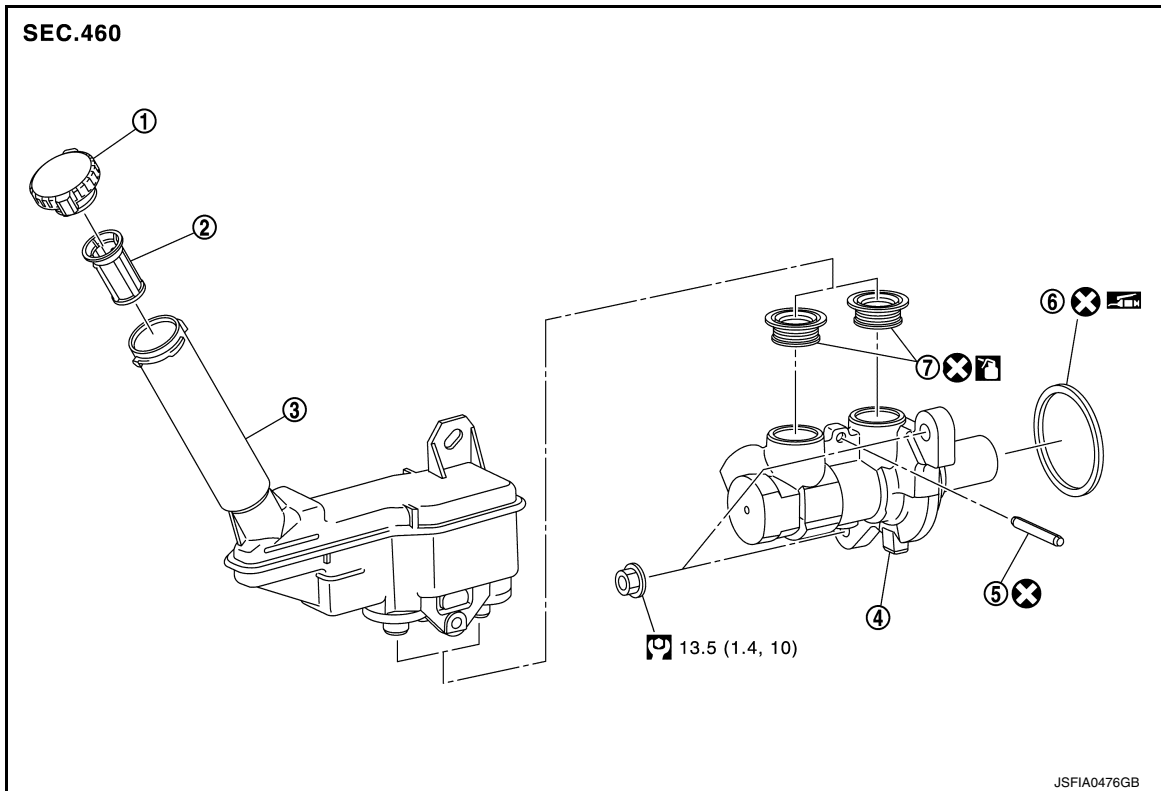
BRAKE MASTER CYLINDER

< REMOVAL AND INSTALLATION >

BRAKE MASTER CYLINDER

Exploded View

INFOID:000000012200287



- | | | |
|--------------------|-----------------|-------------------|
| 1. Reservoir cap | 2. Oil strainer | 3. Reservoir tank |
| 4. Master cylinder | 5. Pin | 6. O-ring |
| 7. Grommet | | |

: Apply polyglycol ether based lubricant.

: Apply brake fluid.

: N·m (kg-m, ft-lb)

: Always replace after every disassembly.

Removal and Installation

INFOID:000000012200288

REMOVAL

CAUTION:

- Never spill or splash brake fluid on painted surfaces. Brake fluid may seriously damage paint. Wipe it off immediately and wash with water if it gets on a painted surface. For brake component parts, never wash them with water.
- Never depress the brake pedal while removing the brake tube. If this is not complied with, brake fluid may splash.

1. Perform inspection before removal. Refer to [BR-41, "Inspection"](#).
2. Depress the brake pedal several times to release the vacuum pressure from the brake booster.
3. Drain brake fluid. Refer to [BR-12, "Draining"](#).
4. Disconnect the brake fluid level switch harness connector.
5. Remove air duct and air cleaner case. Refer to [EM-27, "Removal and Installation"](#).

BRAKE MASTER CYLINDER

< REMOVAL AND INSTALLATION >

6. Separate the brake tube from master cylinder assembly with a flare nut wrench (A).

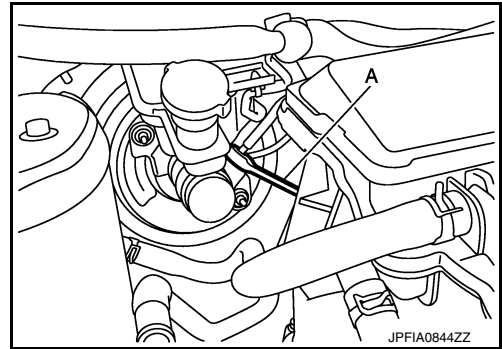
CAUTION:

Never scratch the flare nut and the brake tube.

7. Remove the master cylinder assembly.

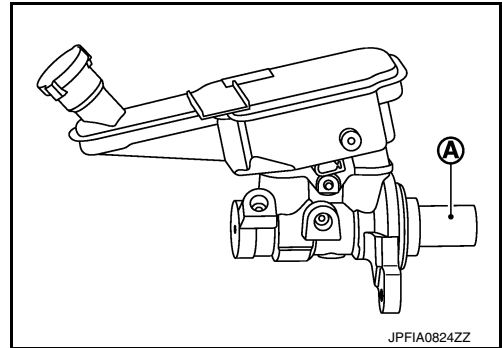
CAUTION:

- **Never deform or bend the brake tubes.**
- **Never depress the brake pedal after the master cylinder assembly is removed.**



- **The piston (A) of the master cylinder assembly is exposed. Never damage it when removing the master cylinder.**
- **The piston may drop off when pulled out strongly. Never hold the piston. Hold the cylinder body when handling the master cylinder assembly.**

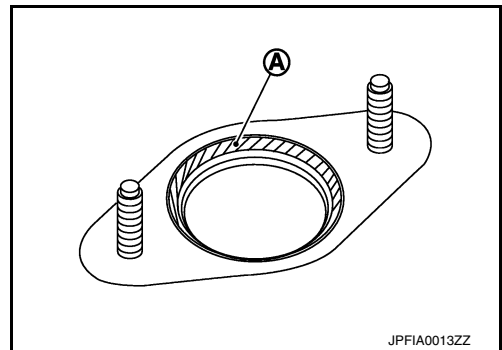
8. Remove the O-ring.



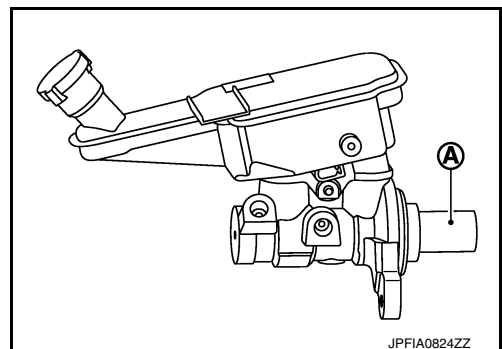
INSTALLATION

Note the following, and install in the reverse order of removal.

- Never spill or splash brake fluid on painted surfaces. Brake fluid may seriously damage paint. Wipe it off immediately and wash with water if it gets on a painted surface. For brake component parts, never wash them with water.
- Never depress the brake pedal while removing the brake tube. If this is not complied with, brake fluid may splash.
- Never depress the brake pedal after the master cylinder assembly is removed.
- Apply polyglycol ether based lubricant to the brake booster [see (A) in the figure] when installing the master cylinder assembly to the brake booster.



- The piston (A) of the master cylinder assembly is exposed. Never damage it when handling the master cylinder.
- Check that no dirt and dust are present on the piston before installation. Clean it with new brake fluid if necessary.
- The piston may drop off when pulled strongly. Never hold the piston. Hold the cylinder body when handling the master cylinder assembly.
- Never reuse the O-ring.
- Never deform or bend the brake tubes.

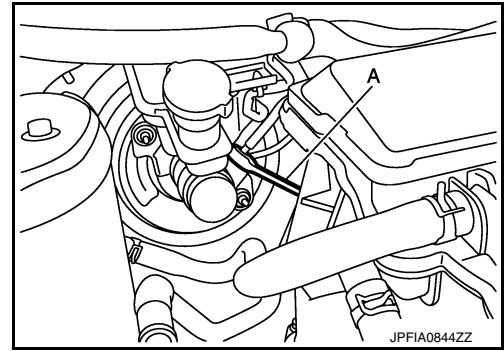


A
B
C
D
E
BR
G
H
I
J
K
L
M
N
O
P

BRAKE MASTER CYLINDER

< REMOVAL AND INSTALLATION >

- Temporarily tighten the brake tube flare nut to the master cylinder assembly by hand. Then tighten it to the specified torque with a crowfoot and torque wrench (A). Refer to [BR-23, "FRONT : Exploded View"](#).
- Perform the air bleeding. Refer to [BR-13, "Bleeding Brake System"](#)
- Perform inspection after installation. Refer to [BR-41, "Inspection"](#).



Disassembly and Assembly

INFOID:000000012200289

DISASSEMBLY

CAUTION:

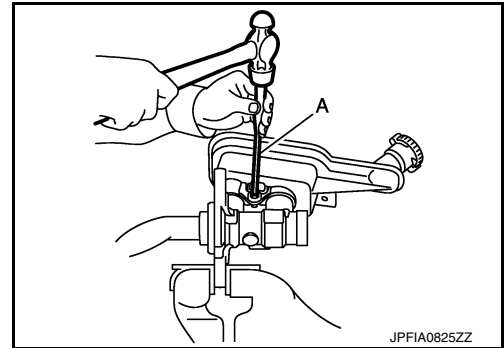
- Never disassemble the master cylinder.
- Remove the reservoir tank only when necessary.

1. Fix the master cylinder assembly to a vise.

CAUTION:

- Always set copper plates or cloth between vise grips when fixing the master cylinder to a vise.
- Never overtighten the vise.

2. Remove the reservoir tank mounting pin with a pin punch (A) [4 mm (0.157 in)].
3. Remove the reservoir tank and grommet from the master cylinder.



ASSEMBLY

CAUTION:

- Never use mineral oils such as kerosene or gasoline and rubber grease during the cleaning and assembly process.
- Never allow foreign matter (e.g. dust) and oils other than brake fluid to enter the reservoir tank.
- Never drop the when installing. The parts must not be reused if they are dropped.

1. Apply new brake fluid to the grommet and install it to the master cylinder.

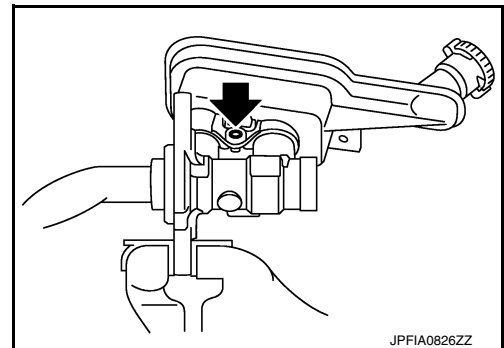
CAUTION:

Never reuse the grommets.

2. Install the reservoir tank to the master cylinder.
3. Fix the master cylinder to a vise.

CAUTION:

- Place the reservoir tank with the chamfered pin hole (←) facing up.
- Always set copper plates or cloth between vise grips when fixing the master cylinder to a vise.
- Never overtighten the vise.



BRAKE MASTER CYLINDER

< REMOVAL AND INSTALLATION >

4. Tilt the reservoir tank so that a mounting pin can be inserted. Insert a mounting pin. Return the reservoir tank to the horizontal position. Insert another mounting pin into the pin hole on the opposite side in the same manner after the mounting pin passes through the master cylinder pin hole.

CAUTION:

Never reuse the mounting pin.

Inspection

INFOID:000000012200290

INSPECTION BEFORE REMOVAL

Check the brake fluid level switch. Refer to [BRC-116, "Component Inspection"](#).

INSPECTION AFTER INSTALLATION

Check the following items and replace if necessary.

- Check the master cylinder for deformation, twist, contact with other parts or looseness of connection.
- Check for fluid leakage from connection. Refer to [BR-27, "FRONT : Inspection"](#).

CAUTION:

If the fluid leakage is present, retighten to the specified torque. Replace if necessary.

A
B
C
D
E
G
H
I
J
K
L
M
N
O
P

BR

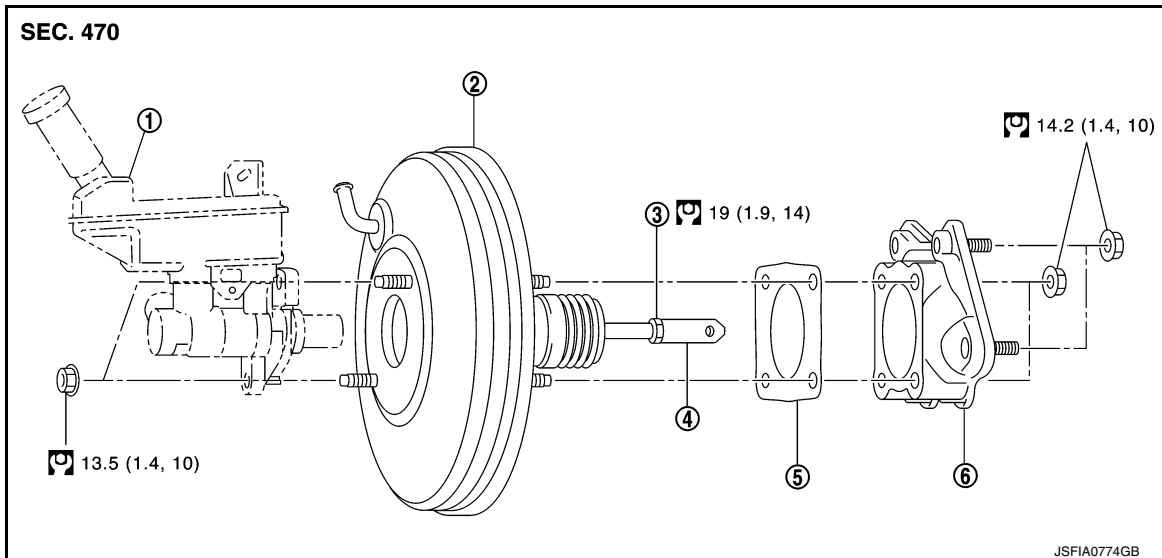
BRAKE BOOSTER

< REMOVAL AND INSTALLATION >

BRAKE BOOSTER

Exploded View

INFOID:000000012200291



- | | | |
|-----------------------------|------------------|-------------|
| 1. Master cylinder assembly | 2. Brake booster | 3. Lock nut |
| 4. Clevis | 5. Gasket | 6. Spacer |

: N·m (kg·m, ft·lb)

Removal and installation

INFOID:000000012200292

REMOVAL

1. Perform inspection before removal. Refer to [BR-43, "Inspection and Adjustment"](#).
2. Remove cowl top and cowl top extension. Refer to [EXT-30, "Removal and Installation"](#).
3. Remove air duct and air cleaner case. Refer to [EM-27, "Removal and Installation"](#).
4. Remove brake master cylinder assembly. Refer to [BR-38, "Removal and Installation"](#).
5. Remove vacuum hose from brake booster. Refer to [BR-46, "Removal and Installation"](#).
6. Remove snap pin (1) and clevis pin (2). Refer to [BR-20, "Exploded View"](#).

7. Remove nuts on brake booster and brake pedal assembly.

CAUTION:

Hold the brake booster so as to avoid dropping out.

8. Remove brake booster and spacer.

CAUTION:

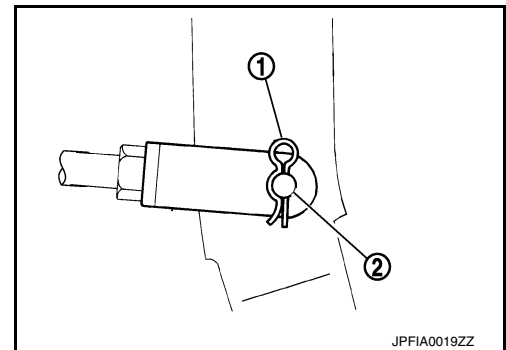
Never deform or bend the brake tubes.

NOTE:

If removing brake booster is difficult, remove clevis from brake booster.

9. Remove spacer from brake booster.

10. Perform inspection after removal. Refer to [BR-43, "Inspection and Adjustment"](#).



INSTALLATION

CAUTION:

Never spill or splash brake fluid on painted surfaces. Brake fluid may seriously damage paint. Wipe it off immediately and wash with water if it gets on a painted surface.

Note the following, and install in the reverse order of removal.

- Be careful not to damage brake booster stud bolt threads. If brake booster is tilted during installation, the dash panel may damage the threads.

BRAKE BOOSTER

< REMOVAL AND INSTALLATION >

- Never deform or bend the brake tubes when installing the brake booster.
- Always use a gasket between the brake booster and the spacer.
- Replace the clevis pin if it is damaged. Refer to [BR-21. "Inspection and Adjustment"](#).
- Perform the air bleeding. Refer to [BR-13. "Bleeding Brake System"](#).
- Check each item of brake pedal. Adjust it if the measurement value is not the standard. Refer to [BR-9. "Inspection and Adjustment"](#).

Inspection and Adjustment

INFOID:000000012200293

INSPECTION BEFORE REMOVAL

Air Tight

CAUTION:

Check the air tight condition when the master cylinder and the brake booster is installed.

1. Check the air tight use a handy vacuum pump.

At vacuum of -66.7 kPa (-500 mmHg, -19.69 inHg) : Vacuum should decrease within 3.3 kPa (24.8 mmHg, 0.98 inHg) for 15 seconds.

2. If the air tight condition cannot be maintained, perform the following operation.
 - a. Check the no dirt and dust are present on the brake booster and brake master cylinder mating faces. Clean it if necessary.
 - b. Check the O-ring on the master cylinder. If anything is found, replace the O-ring. Refer to [BR-38. "Removal and Installation"](#).
 - c. Check the air tight condition again. If the condition still cannot be maintained, replace the brake booster.

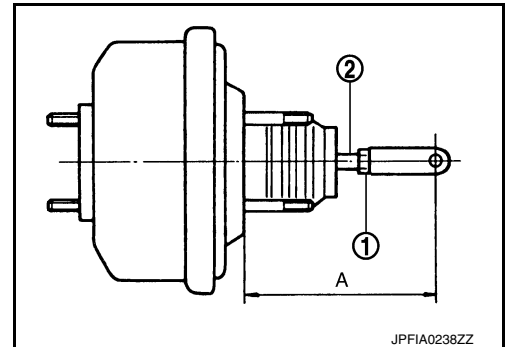
INSPECTION AFTER REMOVAL

Input Rod Length Inspection

1. Loosen the lock nut (1) and adjust the input rod (2) to the specified length (A).

A : Refer to [BR-68. "Brake Booster"](#).

2. Tighten the lock nut to the specified torque.



INSPECTION AFTER INSTALLATION

Operation

Depress the brake pedal several times at 5-second intervals with the engine stopped. Start the engine with the brake pedal fully depressed. Check that the clearance between brake pedal and dash lower panel decreases.

NOTE:

A slight impact with a small click may be felt on the pedal when the brake pedal is fully depressed. This is a normal phenomenon due to the brake system operation.

Air Tight

1. Run the engine at idle for 1 minute to apply vacuum to the brake booster, and stop the engine.
2. Depress the brake pedal several times at 5-second intervals until the accumulated vacuum is released to atmospheric pressure. Check that the clearance between brake pedal and dash lower panel gradually increases each time the brake pedal is depressed when performing this operation.
3. Depress the brake pedal with the engine running. Then stop the engine while holding down the brake pedal. Check that the brake pedal stroke does not change after holding down the brake pedal for 30 seconds or more.

ADJUSTMENT AFTER INSTALLATION

BRAKE BOOSTER

< REMOVAL AND INSTALLATION >

Perform the brake pedal adjustment after installing the brake pedal assembly. Refer to [BR-9. "Inspection and Adjustment"](#).

VACUUM LINES

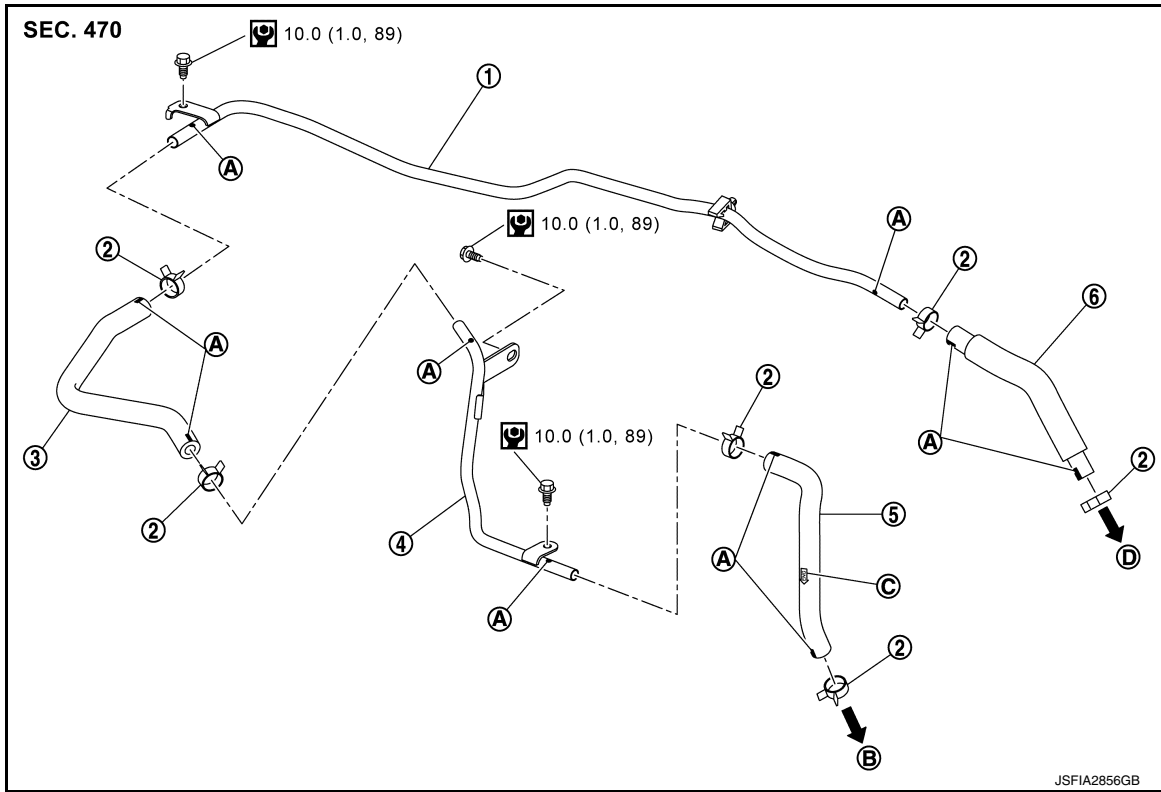
< REMOVAL AND INSTALLATION >

VACUUM LINES

Exploded View

INFOID:000000012200294

EXCEPT NISMO RS



- | | | |
|---------------------|---------------------------------------|--------------------------------------|
| 1. Vacuum piping A | 2. Clamp | 3. Vacuum hose A |
| 4. Vacuum piping B | 5. Vacuum hose (built-in check valve) | 6. Vacuum hose B |
| A. Paint mark | B. To engine side | C. Stamp indicating engine direction |
| D. To brake booster | | |

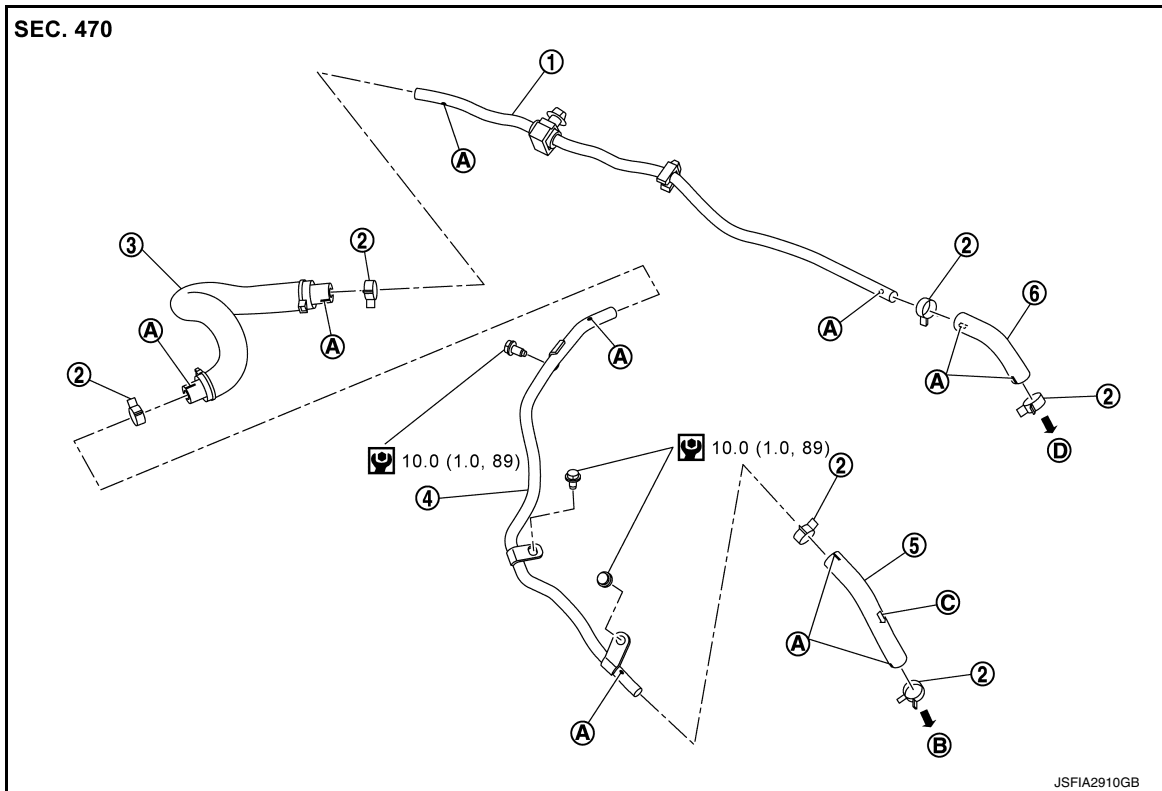
: N·m (kg-m, in-lb)

NISMO RS

A
B
C
D
E
BR
G
H
I
J
K
L
M
N
O
P

VACUUM LINES

< REMOVAL AND INSTALLATION >



- | | | |
|---------------------|---------------------------------------|--------------------------------------|
| 1. Vacuum piping A | 2. Clamp | 3. Vacuum hose A |
| 4. Vacuum piping B | 5. Vacuum hose (built-in check valve) | 6. Vacuum hose B |
| A. Paint mark | B. To engine side | C. Stamp indicating engine direction |
| D. To brake booster | | |

: N·m (kg-m, in-lb)

Removal and Installation

INFOID:000000012200295

REMOVAL

1. Remove air duct and air cleaner case. Refer to [EM-27, "Removal and Installation"](#).
2. Remove the vacuum hose and vacuum piping.
3. Perform inspection after removal. Refer to [BR-47, "Inspection"](#).

INSTALLATION

Except NISMO RS

Note the following, install the vacuum hose.

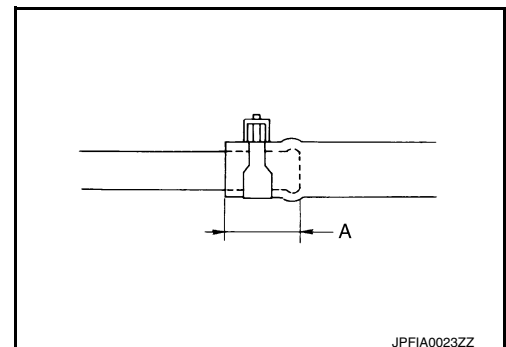
- When installing vacuum hose, insert it until its tip reaches the back-end of length (A) or further as shown in the figure.

CAUTION:

Never use lubricating oil during assembly.

A : 24 mm (0.95 in) or more

- Face the paint mark of vacuum hose [built-in check valve (engine side)] to the vehicle front side to assemble.
- Face the paint mark of vacuum hose B to the vehicle front side to assemble.
- Face the paint mark of vacuum piping A (brake booster side) to the vehicle front side to assemble.
- Face the other paint marks to the vehicle upward to assemble.
- For clamp mounting direction (the orientation of pawl), refer to [BR-45, "Exploded View"](#).



JPFIA0023ZZ

VACUUM LINES

< REMOVAL AND INSTALLATION >

NISMO RS

Note the following, install the vacuum hose.

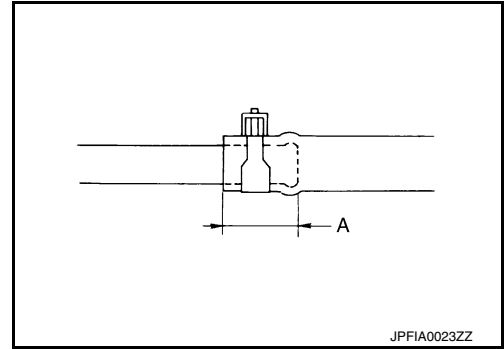
- When installing vacuum hose, insert it until its tip reaches the back-end of length (A) or further as shown in the figure.

CAUTION:

Never use lubricating oil during assembly.

A : 24 mm (0.95 in) or more

- Face the paint mark of vacuum hose A (engine side) to the vehicle upward to assemble.
- Face the paint mark of vacuum piping B to the vehicle upward to assemble.
- Face the paint mark of vacuum hose [built-in check valve (brake booster side)] to the vehicle upward to assemble.
- Face the paint mark of vacuum piping A (brake booster side) to the vehicle down to assemble.
- Face the paint mark of vacuum hose B (engine side) to the vehicle down to assemble.
- Face the other paint marks to the vehicle front side to assemble.
- For clamp mounting direction (the orientation of pawl), refer to [BR-45, "Exploded View"](#).



Inspection

INFOID:000000012200296

INSPECTION AFTER REMOVAL

Appearance

Check for correct assembly, damage and deterioration.

Check Valve Airtightness

- Use a handy vacuum pump (A) to check.

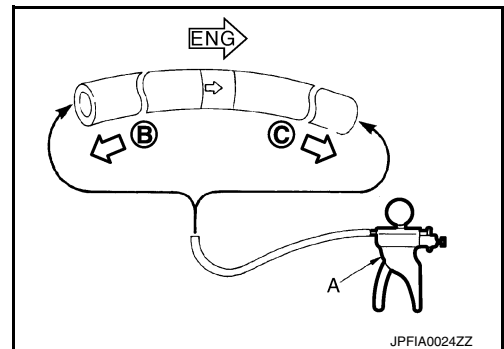
When connected to the booster side (B):

Vacuum should decrease within 1.3 kPa (9.8 mmHg, 0.38 inHg) for 15 seconds under a vacuum of -66.7 kPa (-500 mmHg, -19.70 inHg).

When connected to the engine side (C):

Vacuum should not exist.

- Replace vacuum hose if vacuum hose is malfunctioning.



FRONT DISC BRAKE

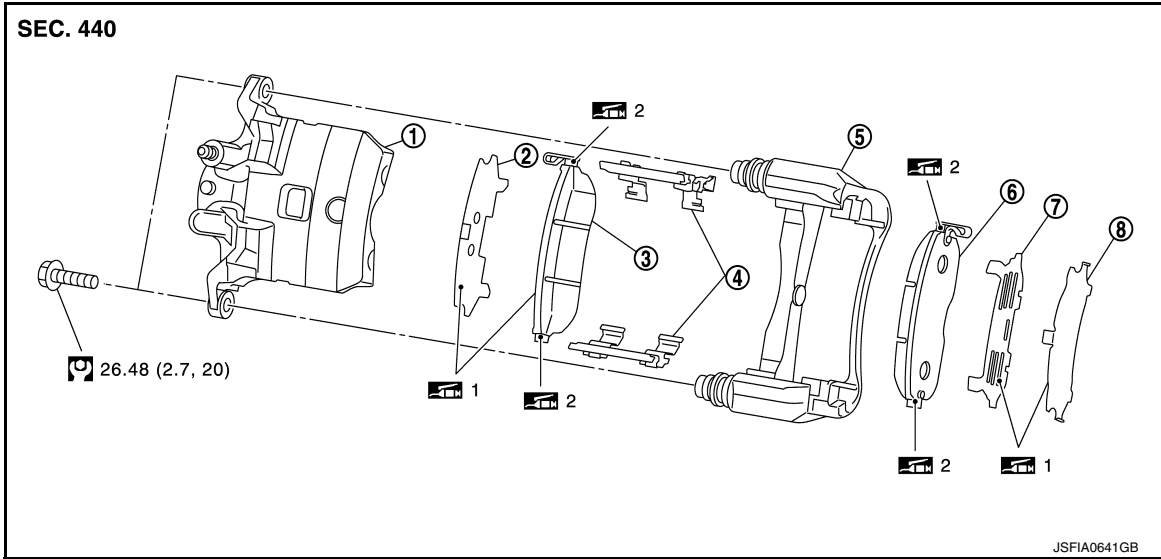
< REMOVAL AND INSTALLATION >

FRONT DISC BRAKE BRAKE PAD

BRAKE PAD : Exploded View

INFOID:000000012200297

EXCEPT NISMO RS



- | | | |
|------------------|---------------------|-------------------------------------|
| 1. Cylinder body | 2. Inner shim | 3. Inner pad (with pad wear sensor) |
| 4. Pad retainer | 5. Torque member | 6. Outer pad |
| 7. Outer shim | 8. Outer shim cover | |

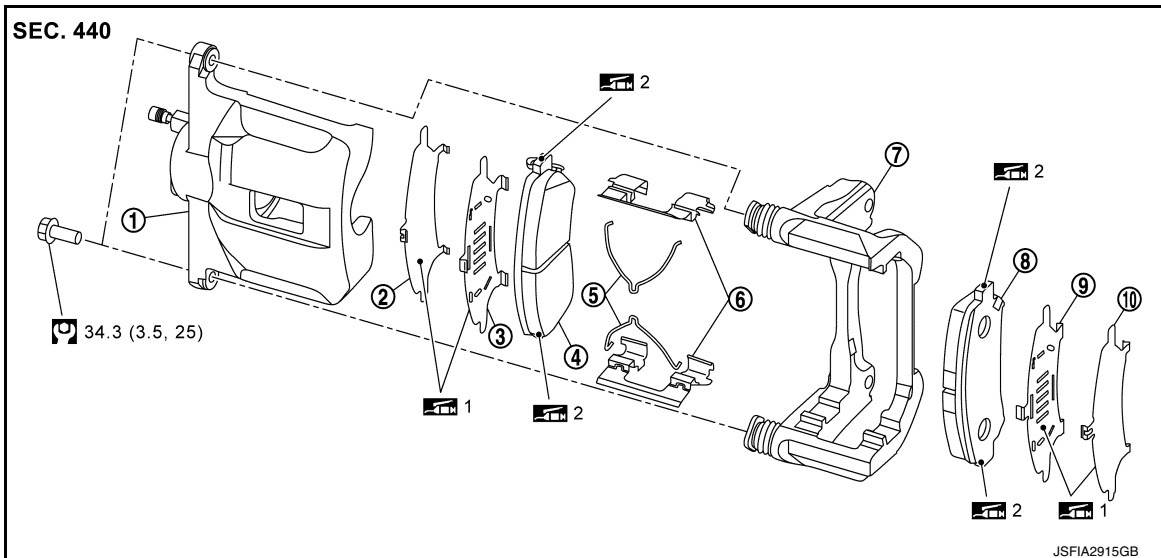
1: Apply MOLYKOTE® AS880N or silicone-based grease.

2: Apply MOLYKOTE® 7439 or equivalent.

: N·m (kg·m, ft·lb)

Molykote is a registered trademark of Dow Corning Corporation.

NISMO RS




- | | | |
|-------------------------------------|----------------------|-----------------|
| 1. Cylinder body | 2. Inner shim cover | 3. Inner shim |
| 4. Inner pad (with pad wear sensor) | 5. Pad return spring | 6. Pad retainer |


FRONT DISC BRAKE

< REMOVAL AND INSTALLATION >

- 7. Torque member
- 8. Outer pad
- 9. Outer shim
- 10. Outer shim cover

1: Apply MOLYKOTE® AS880N or silicone-based grease.

2: Apply MOLYKOTE® 7439 or equivalent.

: N·m (kg-m, ft-lb)

Molykote is a registered trademark of Dow Corning Corporation.

BRAKE PAD : Removal and Installation

INFOID:000000012200298

REMOVAL

Exsept NISMO RS

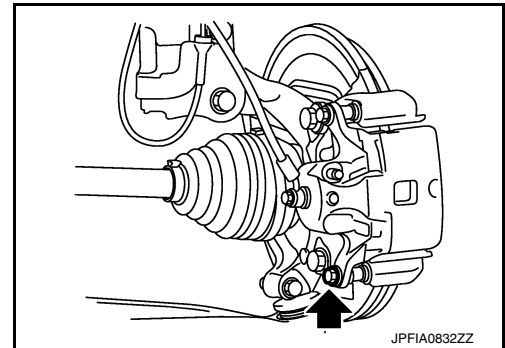
WARNING:

Since dust covering the front brake has an affect on human body, the dust must be removed with a dust collector. Never splatter the dust with an air blow gun.

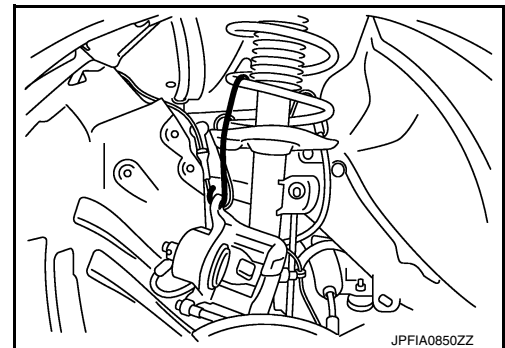
CAUTION:

- Never depress the brake pedal while removing the brake pads because the piston may pop out.
- If the brake fluid or grease adheres to the disc rotor, quickly wipe it off.

1. Remove tires with power tool.
2. Remove lower sliding pin bolt.



3. Suspend the cylinder body with suitable wire so that the brake hose will not stretch.

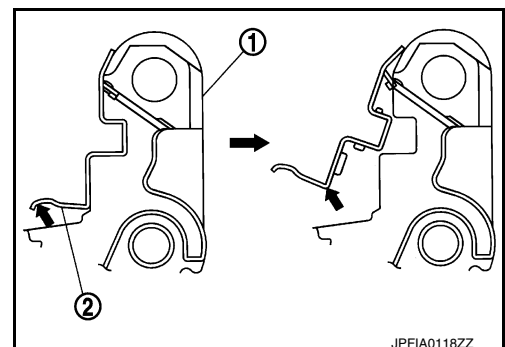


4. Remove the brake pads, shims, shim cover and pad retainers from the torque member.

CAUTION:

- Never deform the pad retainer (2) when removing the pad retainer from the torque member (1).
- Never damage the piston boot.
- Never drop the brake pads, shims, and the shim covers.
- Remember each position of the removed brake pads.

5. Perform inspection after removal. Refer to [BR-53. "BRAKE PAD : Inspection"](#).



NISMO RS

A
B
C
D
E
BR
G
H
I
J
K
L
M
N
O
P

FRONT DISC BRAKE

< REMOVAL AND INSTALLATION >

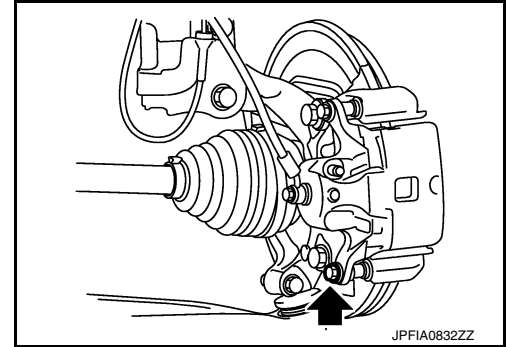
WARNING:

Since dust covering the front brake has an affect on human body, the dust must be removed with a dust collector. Never splatter the dust with an air blow gun.

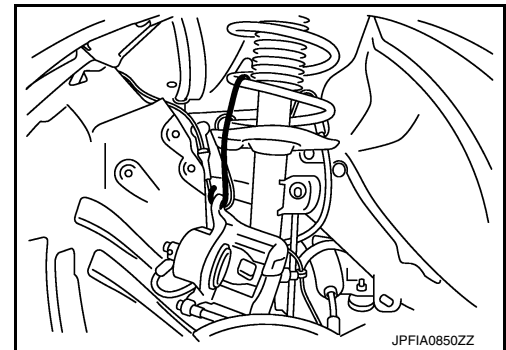
CAUTION:

- Never depress the brake pedal while removing the brake pads because the piston may pop out.
- If the brake fluid or grease adheres to the disc rotor, quickly wipe it off.

1. Remove tires with power tool.
2. Remove lower sliding pin bolt.



3. Suspend the cylinder body with suitable wire so that the brake hose will not stretch.

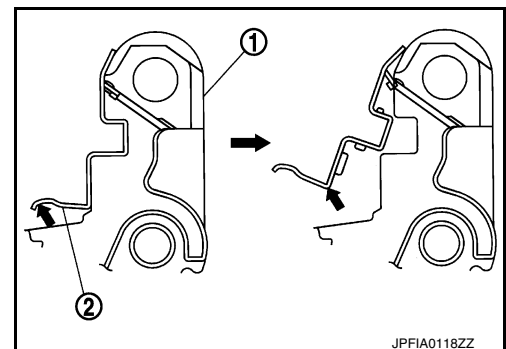


4. Remove the pad return springs, brake pads, shims, shim covers and pad retainers from the torque member.

CAUTION:

- Never deform the pad retainer (2) when removing the pad retainer from the torque member (1).
- Never deform the pad return spring when removing the pad return spring from the brake pad.
- Never damage the piston boot.
- Never drop the brake pads, shims, and the shim covers.
- Remember each position of the removed brake pads.

5. Perform inspection after removal. Refer to [BR-53. "BRAKE PAD : Inspection"](#).



INSTALLATION

Except NISMO RS

WARNING:

Since dust covering the front brake has an affect on human body, the dust must be removed with a dust collector. Never splatter the dust with an air blow gun.

CAUTION:

- Never depress the brake pedal while removing the brake pads or the cylinder body because the piston may pop out.
- If the brake fluid or grease adheres to the disc rotor, quickly wipe it off.

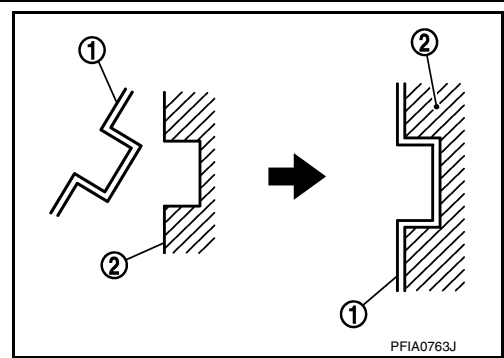
FRONT DISC BRAKE

< REMOVAL AND INSTALLATION >

1. Install the pad retainers (1) to the torque member (2) if the pad retainers has been removed.

CAUTION:

- Securely assemble the pad retainers so that it will not be lifted up from the torque member.
- Never deform the pad retainers.



2. Apply MOLYKOTE® AS880N or silicone-based grease to the mating faces (A) between the inner pad and the inner shim, and install the inner shims to the inner pad.

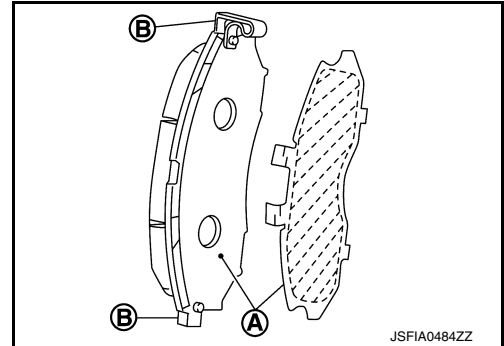
CAUTION:

Always replace the shim together when replacing the brake pad.

Molykote is a registered trademark of Dow Corning Corporation.

3. Apply MOLYKOTE® 7439 or equivalent to the mating faces (B) between the inner pad and the pad retainers.

Molykote is a registered trademark of Dow Corning Corporation.



4. Apply MOLYKOTE® AS880N or silicone-based grease to the mating faces (A) between the outer shim cover and the outer shim, and install the outer shim and outer shim cover to the outer pad.

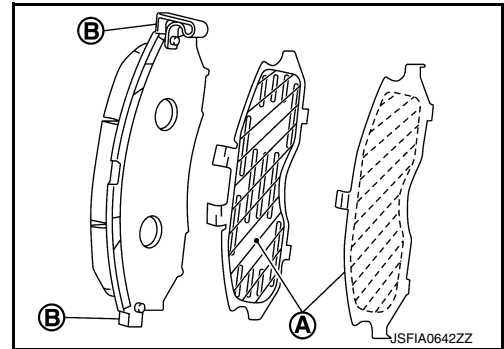
CAUTION:

Always replace the shim together with the shim cover when replacing the brake pad.

Molykote is a registered trademark of Dow Corning Corporation.

5. Apply MOLYKOTE® 7439 or equivalent to the mating faces (B) between the outer pad and the pad retainers.

Molykote is a registered trademark of Dow Corning Corporation.



6. Install the brake pads to the torque member.

CAUTION:

- Both inner and outer pads have a pad return system on the pad retainer. Install pad return lever (1) securely to pad retainer (2).
- Never deform the pad retainers.

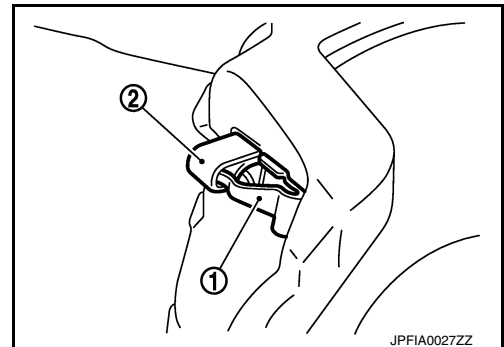
7. Install cylinder body to torque member.

CAUTION:

- Never damage the piston boot.
- When replacing brake pad with new one, check a brake fluid level in the reservoir tank because brake fluid returns to master cylinder reservoir tank when pressing piston in.

NOTE:

Use a disc brake piston tool to easily press piston.

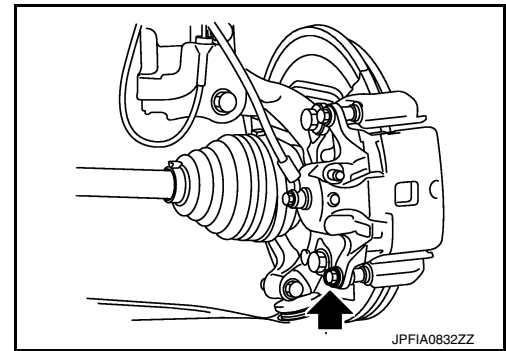


A
B
C
D
E
BR
G
H
I
J
K
L
M
N
O
P

FRONT DISC BRAKE

< REMOVAL AND INSTALLATION >

8. Install the lower sliding pin bolt and tighten it to the specified torque.
9. Depress the brake pedal several times to check that no drag feel is present for the front disc brake. Refer to [BR-53, "BRAKE PAD : Inspection"](#).
10. Install tires. Refer to [WT-39, "Removal and Installation"](#).



NISMO RS

WARNING:

Since dust covering the front brake has an affect on human body, the dust must be removed with a dust collector. Never splatter the dust with an air blow gun.

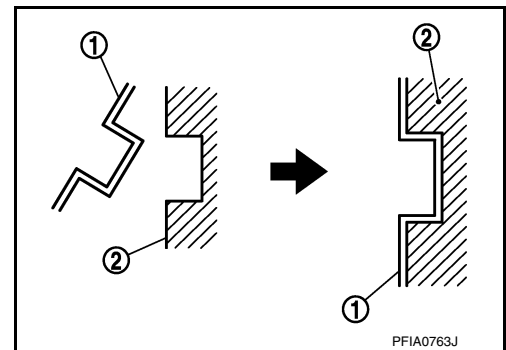
CAUTION:

- Never depress the brake pedal while removing the brake pads or the cylinder body because the piston may pop out.
- If the brake fluid or grease adheres to the disc rotor, quickly wipe it off.

1. Install the pad retainers (1) to the torque member (2) if the pad retainers has been removed.

CAUTION:

- Securely assemble the pad retainers so that it will not be lifted up from the torque member.
- Never deform the pad retainers.



2. Apply MOLYKOTE[®] AS880N or silicone-based grease to the mating faces (A) between the shim covers and the shims, and install the shims and shim covers to the brake pad.

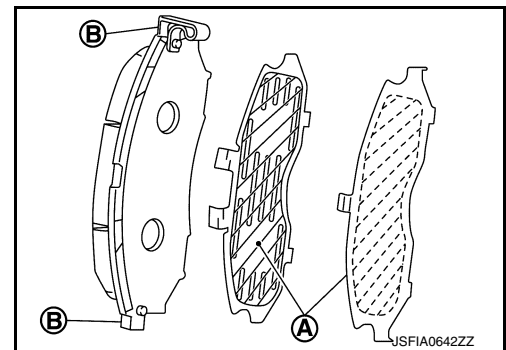
CAUTION:

Always replace the shim together with the shim cover when replacing the brake pad.

Molykote is a registered trademark of Dow Corning Corporation.

3. Apply MOLYKOTE[®] 7439 or equivalent to the mating faces (B) between the brake pad and the pad retainers, and install the brake pads to the torque member.

Molykote is a registered trademark of Dow Corning Corporation.



4. Install the pad return spring (1) to the brake pad (2).

CAUTION:

- Never deform the pad return spring.
- Correctly insert the pad return spring in to the pad return spring hole on the brake pad.

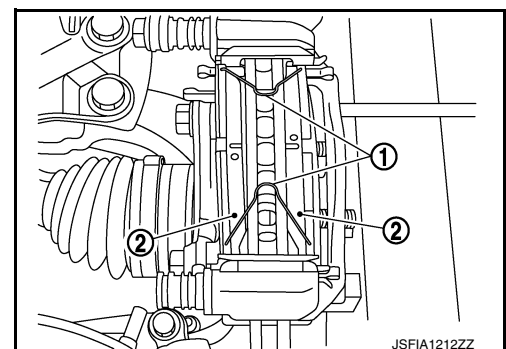
5. Install cylinder body to torque member.

CAUTION:

- Never damage the piston boot.
- When replacing brake pad with new one, check a brake fluid level in the reservoir tank because brake fluid returns to master cylinder reservoir tank when pressing piston in.

NOTE:

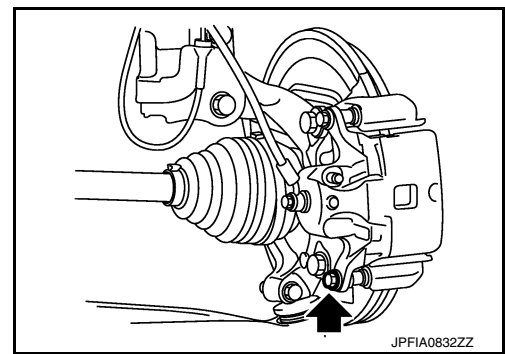
Use a disc brake piston tool to easily press piston.



FRONT DISC BRAKE

< REMOVAL AND INSTALLATION >

6. Install the lower sliding pin bolt and tighten it to the specified torque.
7. Depress the brake pedal several times to check that no drag feel is present for the front disc brake. Refer to [BR-53, "BRAKE PAD : Inspection"](#).
8. Install tires. Refer to [WT-39, "Removal and Installation"](#).



BRAKE PAD : Inspection

INFOID:000000012200299

INSPECTION AFTER REMOVAL

- Replace the shims and the shim covers if rust is excessively attached.
- Eliminate rust on the pad retainers and the torque member. Replace them if rust is excessively attached.

INSPECTION AFTER INSTALLATION

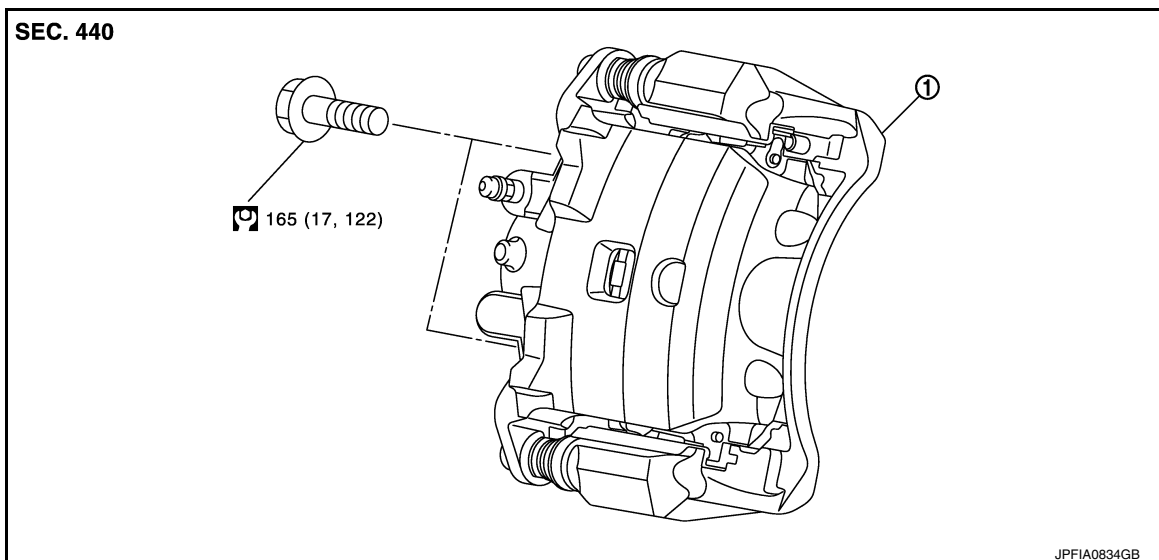
1. Check a drag of front disc brake. If any drag is found, follow the procedure described below.
2. Remove brake pads. Refer to [BR-49, "BRAKE PAD : Removal and Installation"](#).
3. Press the pistons. Refer to [BR-49, "BRAKE PAD : Removal and Installation"](#).
4. Install brake pads. Refer to [BR-49, "BRAKE PAD : Removal and Installation"](#).
5. Securely depress the brake pedal several times.
6. Check a drag of front disc brake again. If any drag is found, disassemble the cylinder body and replace if necessary. Refer to [BR-56, "BRAKE CALIPER ASSEMBLY : Disassembly and Assembly"](#).
7. Burnish contact surfaces brake pads and disc rotor after refinishing or replacing brake pads, or if a soft pedal occurs at very low mileage. Refer to [BR-16, "BRAKE PAD : Inspection and Adjustment"](#).

BRAKE CALIPER ASSEMBLY

BRAKE CALIPER ASSEMBLY : Exploded View

INFOID:000000012200300

REMOVAL



1. Brake caliper assembly

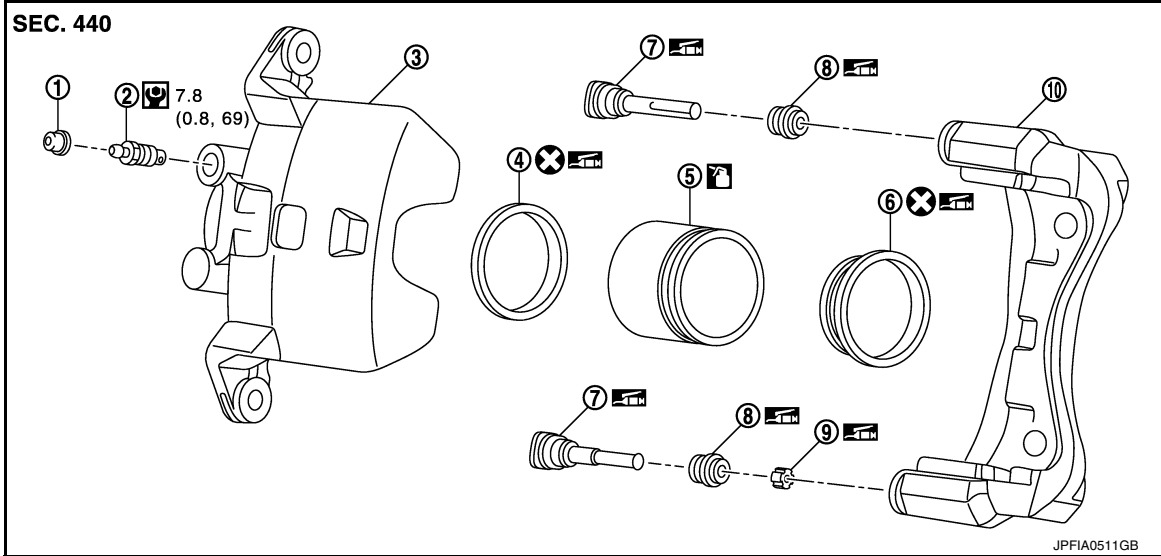
: N·m (kg·m, ft·lb)

DISASSEMBLY

FRONT DISC BRAKE

< REMOVAL AND INSTALLATION >

Except NISMO RS



- | | | |
|-------------------|---------------------|------------------|
| 1. Cap | 2. Bleeder valve | 3. Cylinder body |
| 4. Piston seal | 5. Piston | 6. Piston boot |
| 7. Sliding pin | 8. Sliding pin boot | 9. Bushing |
| 10. Torque member | | |

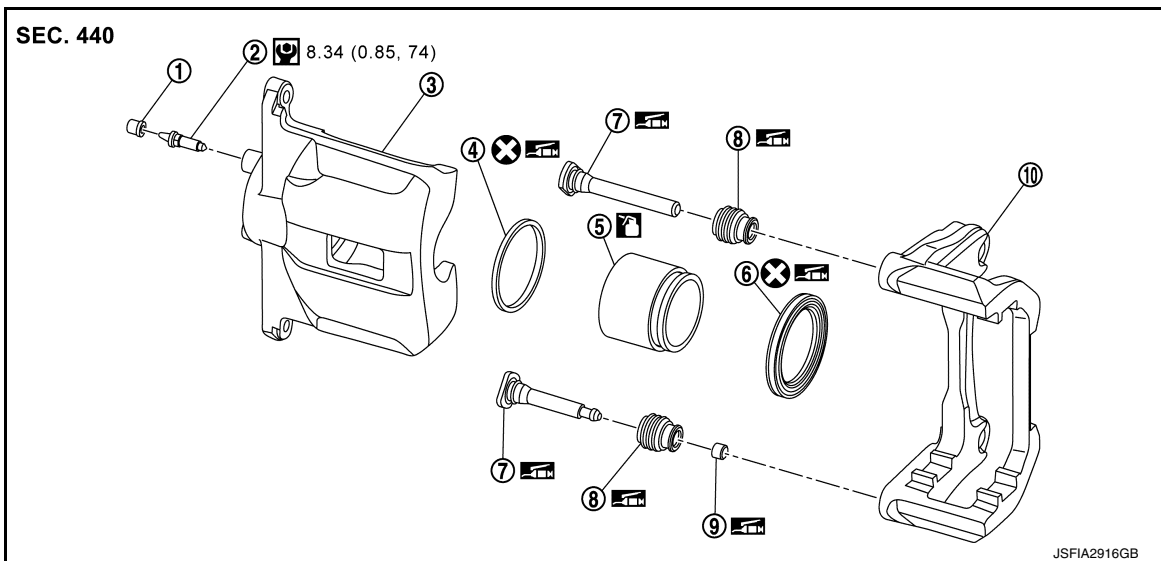
: Apply rubber grease.

: Apply brake fluid.

: N·m (kg·m, in·lb)

: Always replace after every disassembly.

NISMO RS




- | | | |
|-------------------|---------------------|------------------|
| 1. Cap | 2. Bleeder valve | 3. Cylinder body |
| 4. Piston seal | 5. Piston | 6. Piston boot |
| 7. Sliding pin | 8. Sliding pin boot | 9. Bushing |
| 10. Torque member | | |


: Apply rubber grease.

: Apply brake fluid.

FRONT DISC BRAKE

< REMOVAL AND INSTALLATION >

: N·m (kg-m, in-lb)

: Always replace after every disassembly.

BRAKE CALIPER ASSEMBLY : Removal and Installation

INFOID:000000012200301

REMOVAL

WARNING:

Since dust covering the front brake has an affect on human body, the dust must be removed with a dust collector. Never splatter the dust with an air blow gun.

CAUTION:

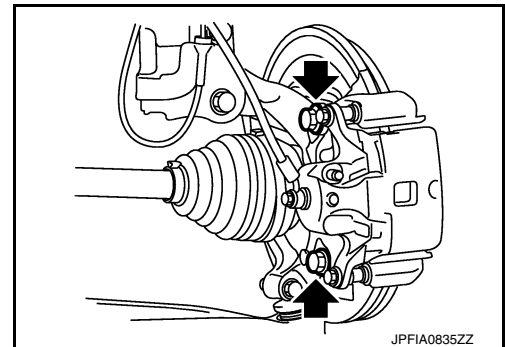
- Never spill or splash brake fluid on painted surfaces. Brake fluid may seriously damage paint. Wipe it out immediately and wash with water if it gets on a protect surface. For brake component parts, never wash them with water.
- Never depress the brake pedal while removing the brake hose. If this is not complied with, brake fluid may splash.
- Never drop removed parts.
- If the brake fluid or grease adheres to the disc rotor, quickly wipe it off.

1. Remove tires with power tool.
2. Fix the disc rotor using wheel nuts.
3. Drain brake fluid. Refer to [BR-12, "Draining"](#).
4. Separate brake hose from caliper assembly. Refer to [BR-25, "FRONT : Removal and Installation"](#).
5. Remove torque member mounting bolts, and remove brake caliper assembly.

CAUTION:

Never drop brake pad and caliper assembly.

6. When removing disc rotor.
 - Except NISMO RS: Refer to [FAX-66, "Removal and Installation"](#).
 - NISMO RS: Refer to [FAX-11, "Removal and Installation"](#).



INSTALLATION

WARNING:

Since dust covering the front brake has an affect on human body, the dust must be removed with a dust collector. Never splatter the dust with an air blow gun.

CAUTION:

- Never spill or splash brake fluid on painted surfaces. Brake fluid may seriously damage paint. Wipe it out immediately and wash with water if it gets on a protect surface. For brake component parts, never wash them with water.
- Never depress the brake pedal while removing the brake hose. If this is not complied with, brake fluid may splash.
- If the brake fluid or grease adheres to the disc rotor, quickly wipe it off.

1. Install disc rotor.
 - Except NISMO RS: Refer to [FAX-66, "Removal and Installation"](#).
 - NISMO RS: Refer to [FAX-11, "Removal and Installation"](#).

FRONT DISC BRAKE

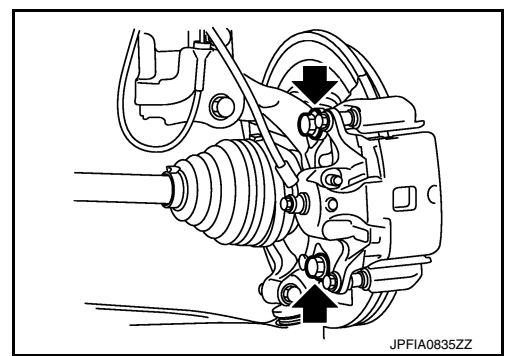
< REMOVAL AND INSTALLATION >

2. Install the brake caliper assembly to the steering knuckle and tighten the torque member mounting bolts to the specified torque.

CAUTION:

Never spill or splash any grease and moisture on the brake caliper assembly mounting face, threads, mounting bolts and washers. Wipe out any grease and moisture.

3. Install brake hose. Refer to [BR-25, "FRONT : Removal and Installation"](#).
4. Perform the air bleeding. Refer to [BR-13, "Bleeding Brake System"](#).
5. Check a drag of front disc brake. If any drag is found, refer to [BR-58, "BRAKE CALIPER ASSEMBLY : Inspection"](#).
6. Install tires. Refer to [WT-39, "Removal and Installation"](#).
7. Perform inspection after installation. Refer to [BR-58, "BRAKE CALIPER ASSEMBLY : Inspection"](#).



BRAKE CALIPER ASSEMBLY : Disassembly and Assembly

INFOID:000000012200302

DISASSEMBLY

NOTE:

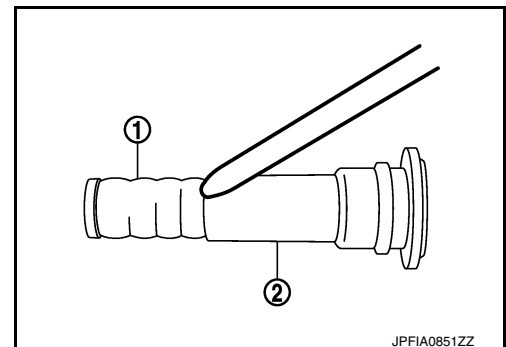
Never remove the torque member, brake pad and pad retainers when disassembling and assembling the cylinder body.

1. Remove the sliding pin bolt, and remove the cylinder body from the torque member. Refer to [BR-49, "BRAKE PAD : Removal and Installation"](#).

CAUTION:

Fix the brake pad at suitable tape so that the brake pad will not drop.

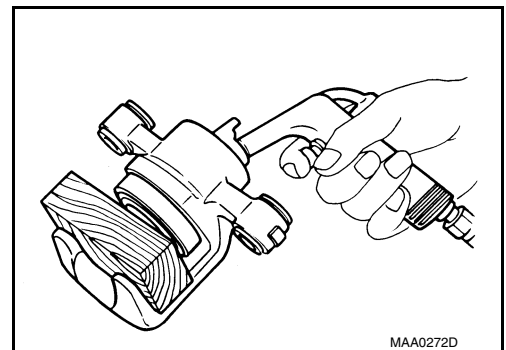
2. Remove sliding pins and sliding pin boots from torque member.
3. Remove bushing (1) from sliding pin (2).



4. Place a wooden block as shown in the figure, and blow air from union bolt mounting hole to remove pistons and piston boots.

CAUTION:

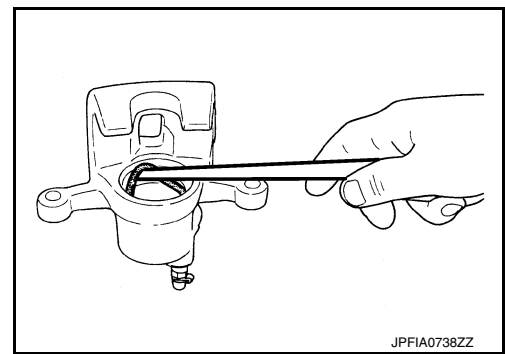
Never get fingers caught in the pistons.



FRONT DISC BRAKE

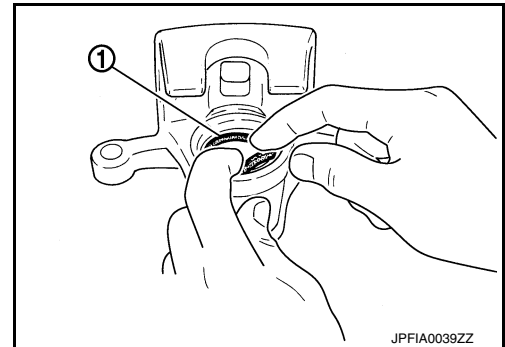
< REMOVAL AND INSTALLATION >

- Remove piston seal from cylinder body using seal pick tool.
CAUTION:
Be careful not to damage a cylinder inner wall.
- Remove bleeder valve and cap.
- Perform inspection after disassembly. Refer to [BR-58, "BRAKE CALIPER ASSEMBLY : Inspection"](#).

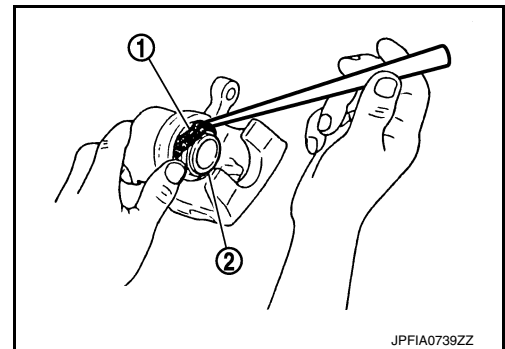


ASSEMBLY

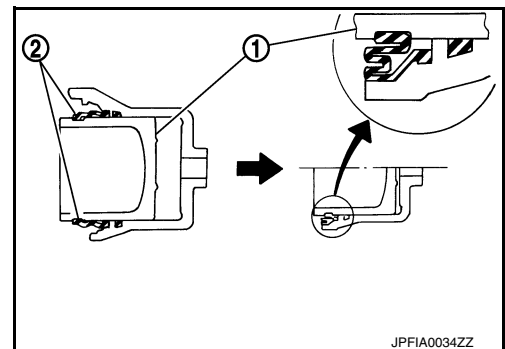
- Install bleeder valve and cap.
- Apply rubber grease to piston seals (1), and install them to cylinder body.
CAUTION:
Never reuse piston seals.



- Apply rubber grease to piston boots (1). Cover the piston (2) end with piston boot, and then install cylinder side lip on piston boot securely into a groove on cylinder body.
CAUTION:
Never reuse piston boots.



- Apply new brake fluid to pistons (1). Push piston into cylinder body by hand and push piston boot (2) piston-side lip into the piston groove.
CAUTION:
Press the pistons evenly and vary the pressing point to prevent cylinder inner wall from being rubbed.

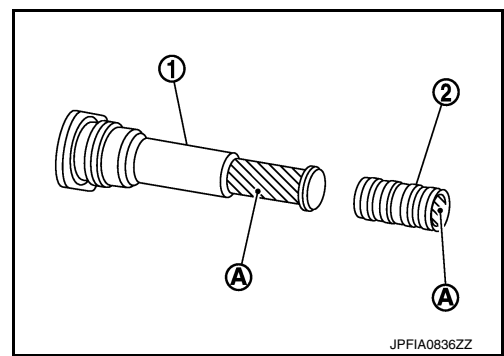


A
B
C
D
E
BR
G
H
I
J
K
L
M
N
O
P

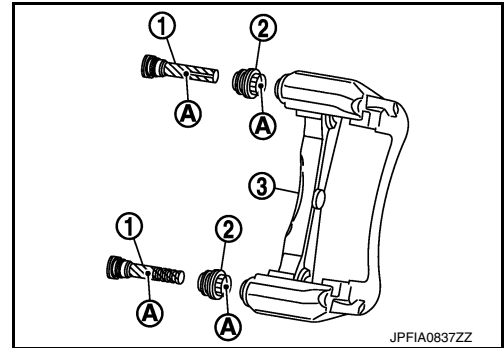
FRONT DISC BRAKE

< REMOVAL AND INSTALLATION >

5. Apply rubber grease to mating faces (A) between sliding pin (1) and bushing (2), and install bushing to sliding pin.



6. Apply rubber grease to mating faces (A) between sliding pin (1) and sliding pin boot (2), and install sliding pin and sliding pin boot to sliding torque member (3).
7. Install the cylinder body to tighten cylinder body mounting bolts to the specified torque. Refer to [BR-48. "BRAKE PAD : Exploded View"](#).



BRAKE CALIPER ASSEMBLY : Inspection

INFOID:000000012200303

INSPECTION AFTER DISASSEMBLY

Check the following items and replace if necessary.

Cylinder Body

Check the inner wall of the cylinder for rust, wear, cracks or damage.

CAUTION:

Always clean with new brake fluid. Never clean with mineral oil such as gasoline and light oil.

Torque Member

Check the torque member for rust, wear, cracks or damage.

Pistons

Check the surface of the piston for rust, wear, cracks or damage.

CAUTION:

A piston sliding surface is plated. Never polish with sandpaper.

Sliding Pin, Sliding Pin Boot and Bushing

Check the sliding pins, sliding boots and bushing for rust, wear, cracks or damage.

INSPECTION AFTER INSTALLATION

1. Check a drag of front disc brake. If any drag is found, follow the procedure described below.
2. Remove brake pads. Refer to [BR-49. "BRAKE PAD : Removal and Installation"](#).
3. Press the pistons. Refer to [BR-49. "BRAKE PAD : Removal and Installation"](#).
4. Install brake pads. Refer to [BR-49. "BRAKE PAD : Removal and Installation"](#).
5. Securely depress the brake pedal several times.
6. Check a drag of front disc brake again. If any drag is found, disassemble the cylinder body and replace if necessary. Refer to [BR-56. "BRAKE CALIPER ASSEMBLY : Disassembly and Assembly"](#).
7. Burnish contact surface between disc rotor and brake pads after refinishing or replacing disc rotor, or if a soft pedal occurs at very low mileage. Refer to [BR-16. "DISC ROTOR : Inspection and Adjustment"](#).

REAR DISC BRAKE

< REMOVAL AND INSTALLATION >

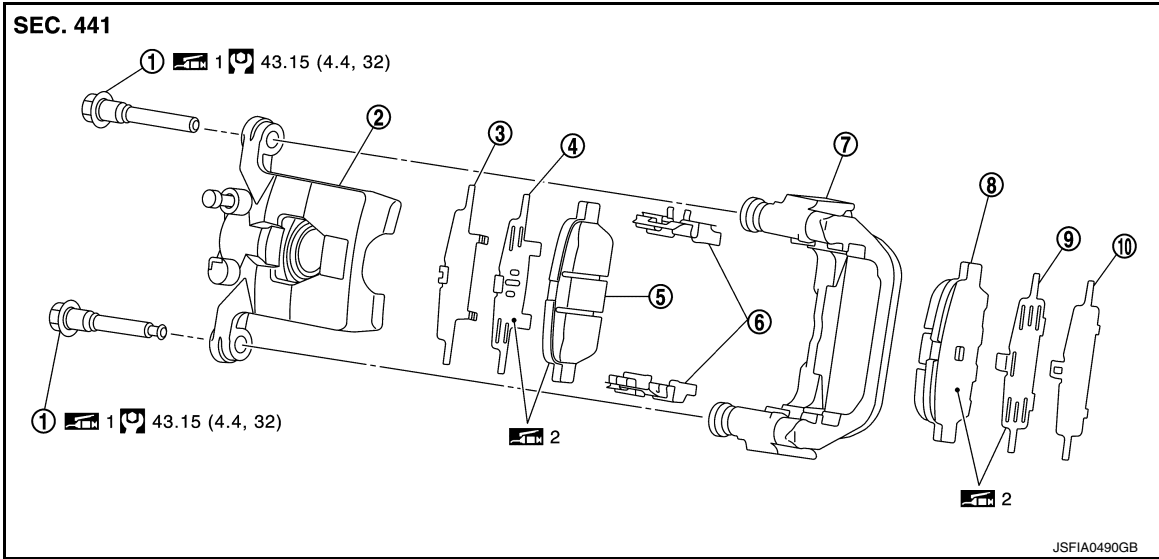
REAR DISC BRAKE

BRAKE PAD

BRAKE PAD : Exploded View

INFOID:000000012200304

EXCEPT NISMO RS



- | | | |
|----------------------|-------------------------------------|---------------------|
| 1. Sliding pin bolt | 2. Cylinder body | 3. Inner shim cover |
| 4. Inner shim | 5. Inner pad (with pad wear sensor) | 6. Pad retainer |
| 7. Torque member | 8. Outer pad | 9. Outer shim |
| 10. Outer shim cover | | |

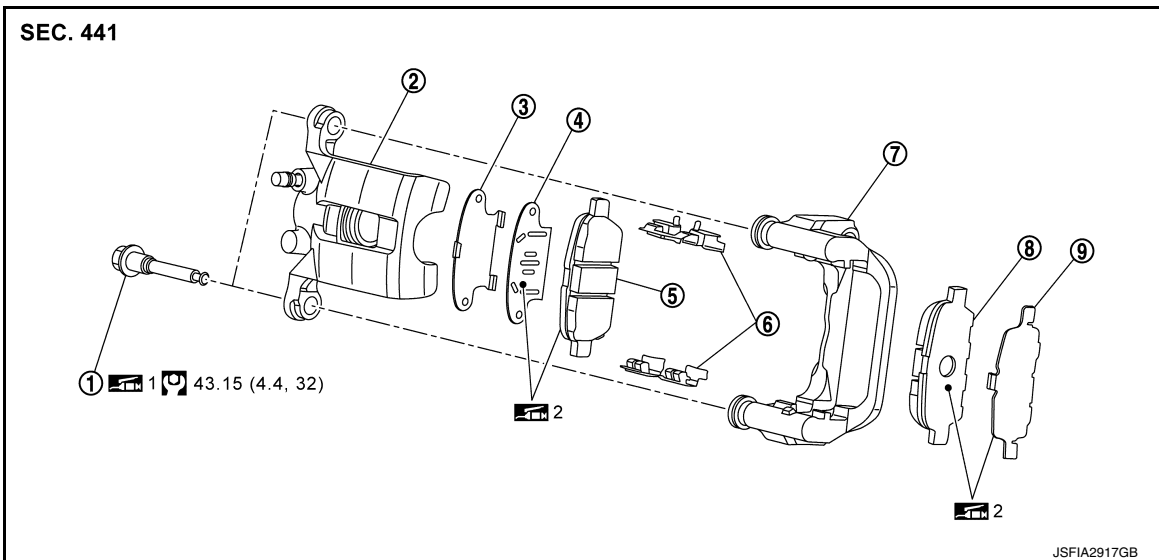
1 Apply rubber grease.

2: Apply MOLYKOTE® AS880N or silicone-based grease.

: N·m (kg-m, ft-lb)

Molykote is a registered trademark of Dow Corning Corporation.


NISMO RS




REAR DISC BRAKE

< REMOVAL AND INSTALLATION >

- | | | |
|---------------------|-------------------------------------|---------------------|
| 1. Sliding pin bolt | 2. Cylinder body | 3. Inner shim cover |
| 4. Inner shim | 5. Inner pad (with pad wear sensor) | 6. Pad retainer |
| 7. Torque member | 8. Outer pad | 9. Outer shim |

 1 Apply rubber grease.

 2: Apply MOLYKOTE® AS880N or silicone-based grease.

 : N·m (kg·m, ft·lb)

Molykote is a registered trademark of Dow Corning Corporation.

BRAKE PAD : Removal and Installation

INFOID:000000012200305

REMOVAL

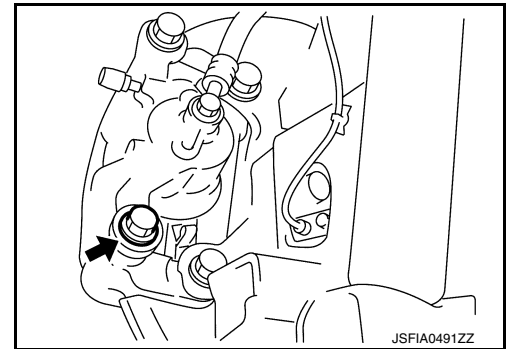
WARNING:

Since dust covering the rear brake has an affect on human body, the dust must be removed with a dust collector. Never splatter the dust with an air blow gun.

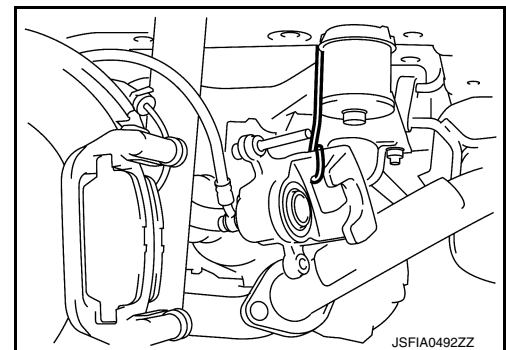
CAUTION:

- Never depress the brake pedal while removing the brake pads because the piston may pop out.
- If the brake fluid or grease adheres to the disc rotor, quickly wipe it off.

1. Remove tires with power tool.
2. Remove lower sliding pin bolt.



3. Suspend the cylinder body with suitable wire so that the brake hose will not stretch.

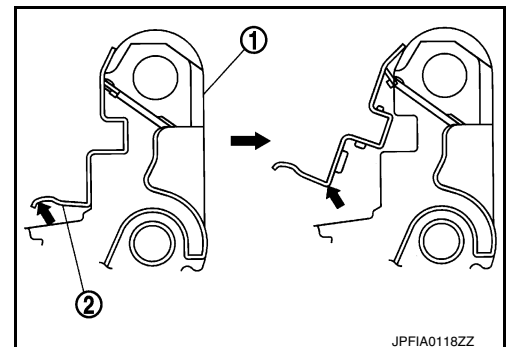


4. Remove the brake pads, shims, shim covers and pad retainers from the torque member.

CAUTION:

- Never deform the pad retainer (2) when removing the pad retainer from the torque member (1).
- Never damage the piston boot.
- Never drop the brake pads, shims, and the shim covers.
- Remember each position of the removed brake pads.

5. Perform inspection after removal. Refer to [BR-62. "BRAKE PAD : Inspection"](#).



REAR DISC BRAKE

< REMOVAL AND INSTALLATION >

INSTALLATION

Except NISMO RS

WARNING:

Since dust covering the rear brake has an affect on human body, the dust must be removed with a dust collector. Never splatter the dust with an air blow gun.

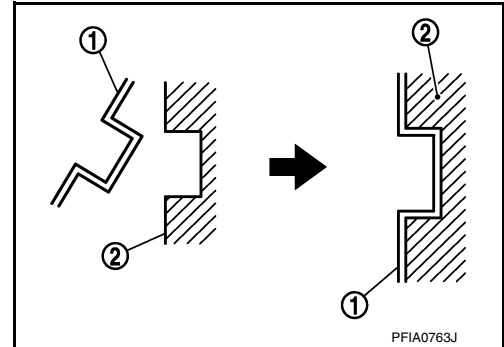
CAUTION:

- Never depress the brake pedal while removing the brake pads or the cylinder body because the piston may pop out.
- If the brake fluid or grease adheres to the disc rotor, quickly wipe it off.

1. Install the pad retainers (1) to the torque member (2) if the pad retainers has been removed.

CAUTION:

- Securely assemble the pad retainers so that it will not be lifted up from the torque member.
- Never deform the pad retainers.



2. Apply MOLYKOTE® AS880N or silicone-based grease to the mating faces (A) between the brake pads and the shims, and install the shims and shim covers to the brake pad.

CAUTION:

Always replace the shim together with the shim cover when replacing the brake pad.

Molykote is a registered trademark of Dow Corning Corporation.

3. Install the brake pads to the torque member.
4. Install cylinder body to torque member.

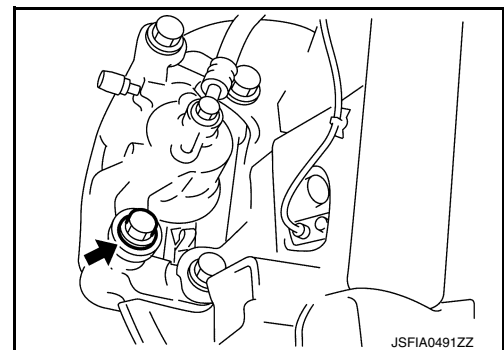
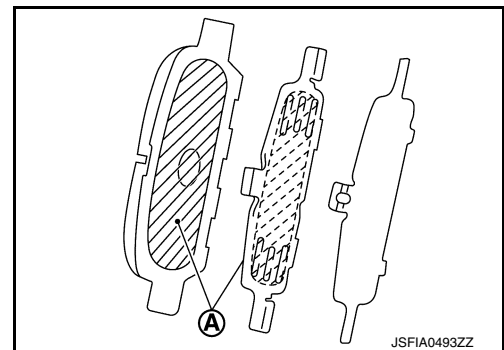
CAUTION:

- Never damage the piston boot.
- When replacing brake pad with new one, check a brake fluid level in the reservoir tank because brake fluid returns to master cylinder reservoir tank when pressing piston in.

NOTE:

Use a disc brake piston tool to easily press piston.

5. Install the lower sliding pin bolt and tighten it to the specified torque.
6. Depress the brake pedal several times to check that no drag feel is present for the rear disc brake. Refer to [BR-62, "BRAKE PAD : Inspection"](#).
7. Install tires. Refer to [WT-39, "Removal and Installation"](#).



NISMO RS

WARNING:

Since dust covering the rear brake has an affect on human body, the dust must be removed with a dust collector. Never splatter the dust with an air blow gun.

CAUTION:

- Never depress the brake pedal while removing the brake pads or the cylinder body because the piston may pop out.
- If the brake fluid or grease adheres to the disc rotor, quickly wipe it off.

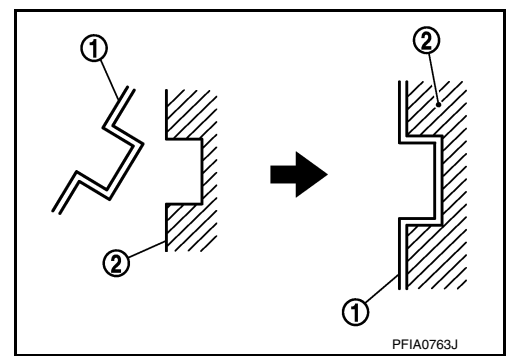
REAR DISC BRAKE

< REMOVAL AND INSTALLATION >

1. Install the pad retainers (1) to the torque member (2) if the pad retainers has been removed.

CAUTION:

- Securely assemble the pad retainers so that it will not be lifted up from the torque member.
- Never deform the pad retainers.

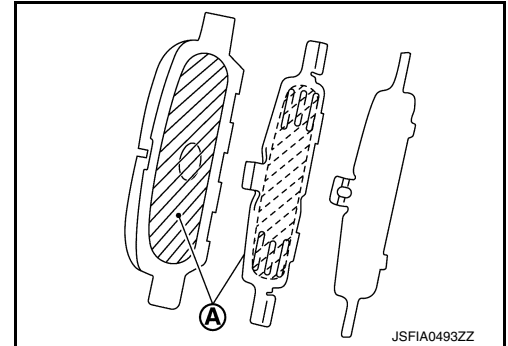


2. Apply MOLYKOTE® AS880N or silicone-based grease to the mating faces (A) between the inner pad and the inner shim, and install the inner shim and inner shim cover to the inner pad.

CAUTION:

Always replace the shim together with the shim cover when replacing the brake pad.

Molykote is a registered trademark of Dow Corning Corporation.



3. Apply MOLYKOTE® AS880N or silicone-based grease to the mating faces (A) between the outer pad and the outer shim, and install the outer shim to the outer pad.

CAUTION:

Always replace the shim together with the shim cover when replacing the brake pad.

Molykote is a registered trademark of Dow Corning Corporation.

4. Install the brake pads to the torque member.

5. Install cylinder body to torque member.

CAUTION:

- Never damage the piston boot.

- When replacing brake pad with new one, check a brake fluid level in the reservoir tank because brake fluid returns to master cylinder reservoir tank when pressing piston in.

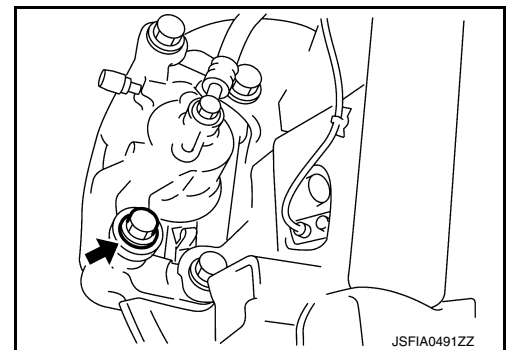
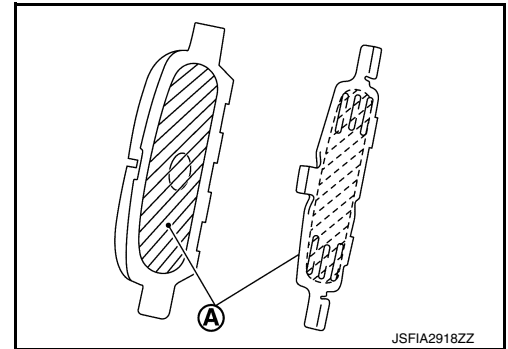
NOTE:

Use a disc brake piston tool to easily press piston.

6. Install the lower sliding pin bolt and tighten it to the specified torque.

7. Depress the brake pedal several times to check that no drag feel is present for the rear disc brake. Refer to [BR-62. "BRAKE PAD : Inspection"](#).

8. Install tires. Refer to [WT-39. "Removal and Installation"](#).



BRAKE PAD : Inspection

INFOID:000000012200306

INSPECTION AFTER REMOVAL

- Replace the shims and the shim covers if rust is excessively attached.
- Eliminate rust on the pad retainers and the torque member. Replace them if rust is excessively attached.

INSPECTION AFTER INSTALLATION

REAR DISC BRAKE

< REMOVAL AND INSTALLATION >

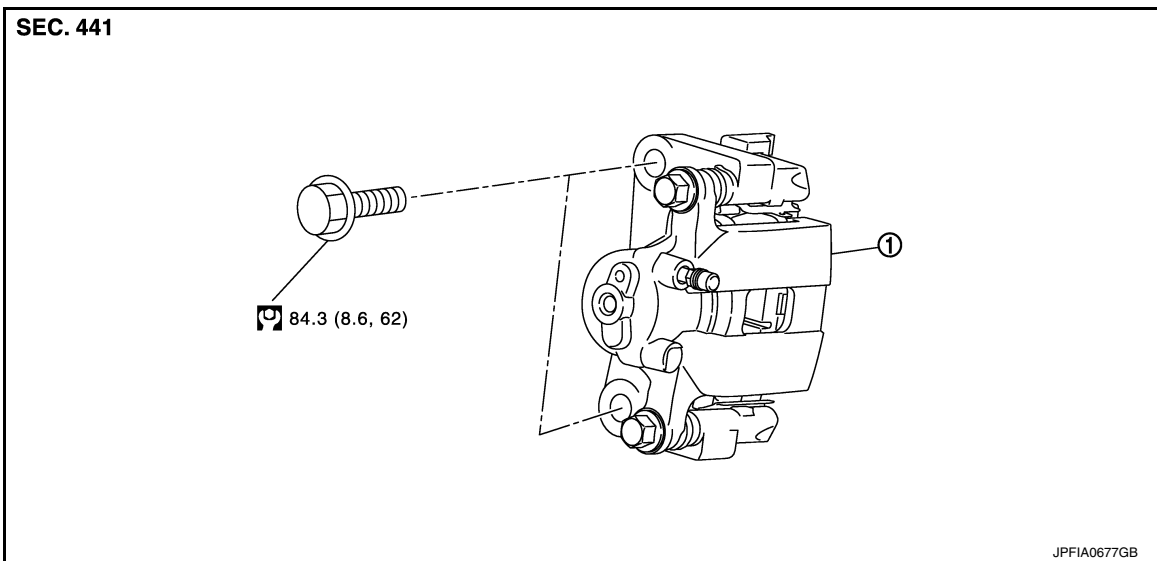
1. Check a drag of rear disc brake. If any drag is found, follow the procedure described below.
2. Remove brake pads. Refer to [BR-60, "BRAKE PAD : Removal and Installation"](#).
3. Press the pistons. Refer to [BR-60, "BRAKE PAD : Removal and Installation"](#).
4. Install brake pads. Refer to [BR-60, "BRAKE PAD : Removal and Installation"](#).
5. Securely depress the brake pedal several times.
6. Check a drag of rear disc brake again. If any drag is found, disassemble the cylinder body and replace if necessary. Refer to [BR-65, "BRAKE CALIPER ASSEMBLY : Disassembly and Assembly"](#)
7. Burnish contact surfaces brake pads and disc rotor after refinishing or replacing brake pads, or if a soft pedal occurs at very low mileage. Refer to [BR-18, "BRAKE PAD : Inspection and Adjustment"](#).

BRAKE CALIPER ASSEMBLY

BRAKE CALIPER ASSEMBLY : Exploded View

INFOID:000000012200307

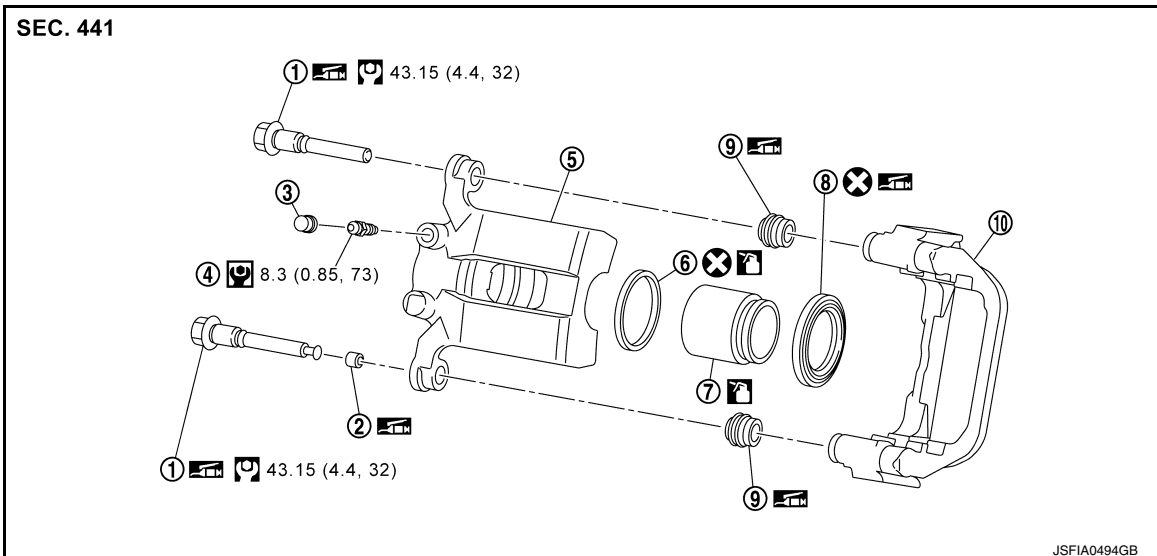
REMOVAL



1. Brake caliper assembly

: N·m (kg-m, ft-lb)


DISASSEMBLY





REAR DISC BRAKE


< REMOVAL AND INSTALLATION >


- | | | |
|---------------------|------------------|---------------------|
| 1. Sliding pin bolt | 2. Bushing | 3. Cap |
| 4. Bleeder valve | 5. Cylinder body | 6. Piston seal |
| 7. Piston | 8. Piston boot | 9. Sliding pin boot |
| 10. Torque member | | |

: Apply rubber grease.

: Apply brake fluid.

: N·m (kg-m, ft-lb)

: N·m (kg-m, in-lb)

: Always replace after every disassembly.

BRAKE CALIPER ASSEMBLY : Removal and Installation

INFOID:000000012200308

REMOVAL

WARNING:

Since dust covering the rear brake has an affect on human body, the dust must be removed with a dust collector. Never splatter the dust with an air blow gun.

CAUTION:

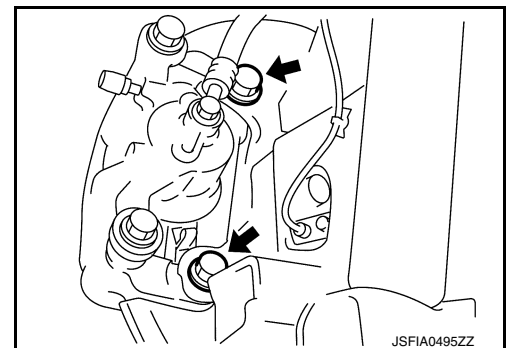
- Never spill or splash brake fluid on painted surfaces. Brake fluid may seriously damage paint. Wipe it out immediately and wash with water if it gets on a protect surface. For brake component parts, never wash them with water.
- Never depress the brake pedal while removing the brake hose. If this is not complied with, brake fluid may splash.
- Never drop removed parts.
- If the brake fluid or grease adheres to the disc rotor, quickly wipe it off.

1. Remove tires with power tool.
2. Fix the disc rotor using wheel nuts.
3. Drain brake fluid. Refer to [BR-12, "Draining"](#).
4. Separate brake hose from caliper assembly. Refer to [BR-32, "REAR : Removal and Installation"](#).
5. Remove torque member mounting bolts, and remove brake caliper assembly.

CAUTION:

Never drop brake pad and caliper assembly.

6. When removing disc rotor.
 - 2WD: Refer to [RAX-7, "Removal and Installation"](#).
 - AWD: Refer to [RAX-16, "Removal and Installation"](#).



INSTALLATION

WARNING:

Since dust covering the rear brake has an affect on human body, the dust must be removed with a dust collector. Never splatter the dust with an air blow gun.

CAUTION:

- Never spill or splash brake fluid on painted surfaces. Brake fluid may seriously damage paint. Wipe it out immediately and wash with water if it gets on a protect surface. For brake component parts, never wash them with water.
- Never depress the brake pedal while removing the brake hose. If this is not complied with, brake fluid may splash.
- If the brake fluid or grease adheres to the disc rotor, quickly wipe it off.

1. Install disc rotor.
 - 2WD: Refer to [RAX-7, "Removal and Installation"](#).
 - AWD: Refer to [RAX-16, "Removal and Installation"](#).

REAR DISC BRAKE

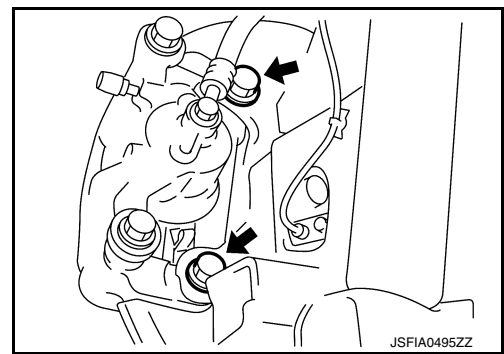
< REMOVAL AND INSTALLATION >

2. Install the brake caliper assembly to the axle housing and tighten the torque member mounting bolts to the specified torque.

CAUTION:

Never spill or splash any grease and moisture on the brake caliper assembly mounting face, threads, mounting bolts and washers. Wipe out any grease and moisture.

3. Install brake hose. Refer to [BR-32, "REAR : Removal and Installation"](#).
4. Perform the air bleeding. Refer to [BR-13, "Bleeding Brake System"](#).
5. Check a drag of rear disc brake. If any drag is found, refer to [BR-62, "BRAKE PAD : Inspection"](#).
6. Install tires. Refer to [WT-39, "Removal and Installation"](#).
7. Perform inspection after installation. Refer to [BR-67, "BRAKE CALIPER ASSEMBLY : Inspection"](#).



BRAKE CALIPER ASSEMBLY : Disassembly and Assembly

INFOID:0000000012200309

DISASSEMBLY

NOTE:

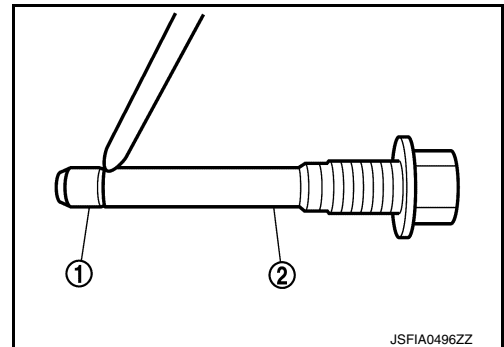
Never remove the torque member, brake pad and pad retainers when disassembling and assembling the cylinder body.

1. Remove the sliding pin bolt, and remove the cylinder body from the torque member. Refer to [BR-60, "BRAKE PAD : Removal and Installation"](#).

CAUTION:

Fix the brake pad at suitable tape so that the brake pad will not drop.

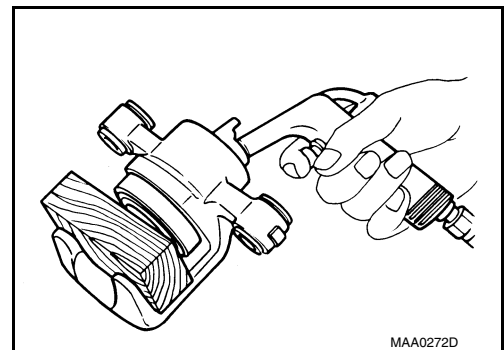
2. Remove sliding pin boots from torque member.
3. Remove bushing (1) from sliding pin bolt (2).



4. Place a wooden block as shown in the figure, and blow air from union bolt mounting hole to remove pistons and piston boots.

CAUTION:

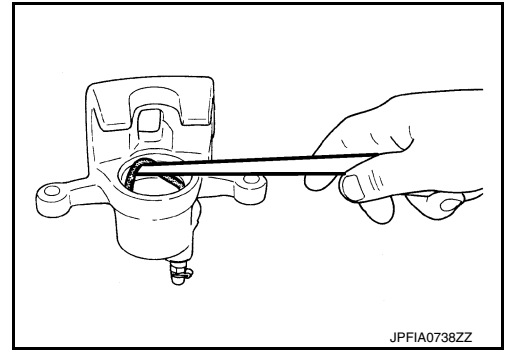
Never get fingers caught in the pistons.



REAR DISC BRAKE

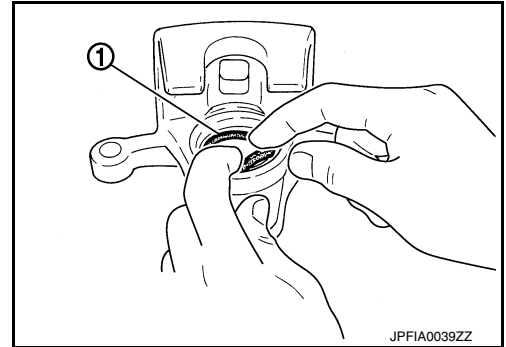
< REMOVAL AND INSTALLATION >

5. Remove piston seal from cylinder body using seal pick tool.
CAUTION:
Be careful not to damage a cylinder inner wall.
6. Remove bleeder valve and cap.
7. Perform inspection after disassembly. Refer to [BR-67, "BRAKE CALIPER ASSEMBLY : Inspection"](#).

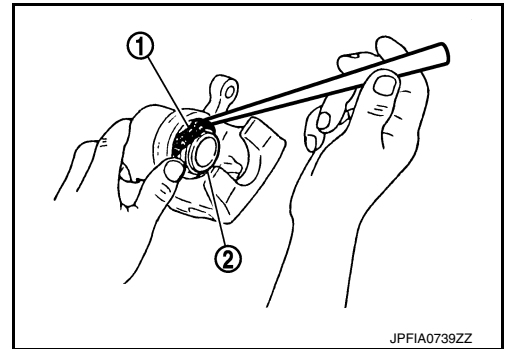


ASSEMBLY

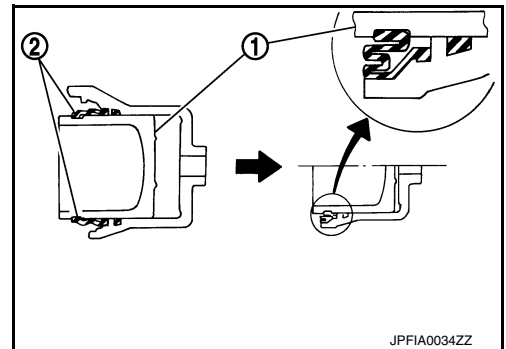
1. Install bleeder valve and cap.
2. Apply rubber grease to piston seals (1), and install them to cylinder body.
CAUTION:
Never reuse piston seals.



3. Apply rubber grease to piston boots (1). Cover the piston (2) end with piston boot, and then install cylinder side lip on piston boot securely into a groove on cylinder body.
CAUTION:
Never reuse piston boots.



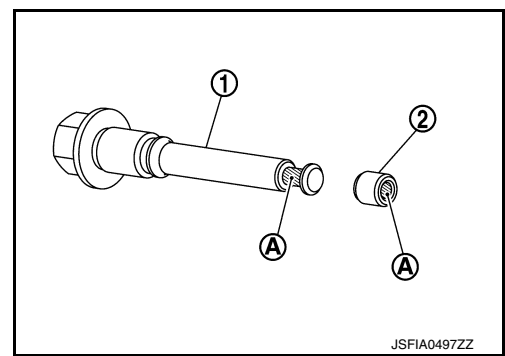
4. Apply new brake fluid to pistons (1). Push piston into cylinder body by hand and push piston boot (2) piston-side lip into the piston groove.
CAUTION:
Press the pistons evenly and vary the pressing point to prevent cylinder inner wall from being rubbed.



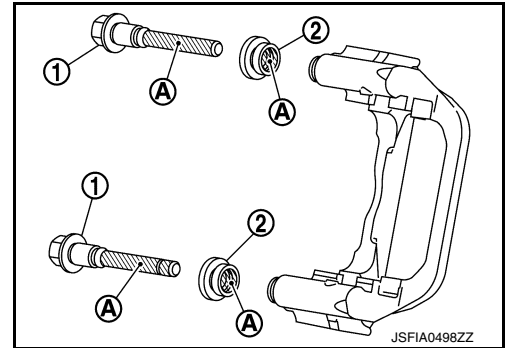
REAR DISC BRAKE

< REMOVAL AND INSTALLATION >

5. Apply rubber grease to mating faces (A) between sliding pin bolt (1) and bushing (2), and install bushing to sliding pin.



6. Apply rubber grease to mating faces (A) between sliding pin bolt (1) and sliding pin boot (2), and install sliding pin and sliding pin boot to sliding torque member.
7. Install the cylinder body to tighten sliding pin bolts to the specified torque. Refer to [BR-59. "BRAKE PAD : Exploded View"](#).



BRAKE CALIPER ASSEMBLY : Inspection

INFOID:000000012200310

INSPECTION AFTER DISASSEMBLY

Check the following items and replace if necessary.

Cylinder Body

Check the inner wall of the cylinder for rust, wear, cracks or damage.

CAUTION:

Always clean with new brake fluid. Never clean with mineral oil such as gasoline and light oil.

Torque Member

Check the torque member for rust, wear, cracks or damage.

Pistons

Check the surface of the piston for rust, wear, cracks or damage.

CAUTION:

A piston sliding surface is plated. Never polish with sandpaper.

Sliding Pin, Sliding Pin Boot and Bushing

Check the sliding pins, sliding boots and bushing for rust, wear, cracks or damage.

INSPECTION AFTER INSTALLATION

1. Check a drag of rear disc brake. If any drag is found, follow the procedure described below.
2. Remove brake pads. Refer to [BR-60. "BRAKE PAD : Removal and Installation"](#).
3. Press the pistons. Refer to [BR-60. "BRAKE PAD : Removal and Installation"](#).
4. Install brake pads. Refer to [BR-60. "BRAKE PAD : Removal and Installation"](#).
5. Securely depress the brake pedal several times.
6. Check a drag of rear disc brake again. If any drag is found, disassemble the cylinder body and replace if necessary. Refer to [BR-65. "BRAKE CALIPER ASSEMBLY : Disassembly and Assembly"](#).
7. Burnish contact surface between disc rotor and brake pads after refinishing or replacing disc rotor, or if a soft pedal occurs at very low mileage. Refer to [BR-18. "DISC ROTOR : Inspection and Adjustment"](#).

SERVICE DATA AND SPECIFICATIONS (SDS)

< SERVICE DATA AND SPECIFICATIONS (SDS)

SERVICE DATA AND SPECIFICATIONS (SDS)

SERVICE DATA AND SPECIFICATIONS (SDS)

General Specifications

INFOID:0000000012200311

EXCEPT NISMO RS

Unit: mm (in)

Front brake	Cylinder bore diameter	57.2 (2.252)
	Pad length × width × thickness	126.0 × 46.0 × 11.0 (4.96 × 1.811 × 0.433)
	Rotor outer diameter × thickness	296 × 26.0 (11.65 × 1.024)
Rear brake	Cylinder bore diameter	34.93 (1.3752)
	Pad length × width × thickness	83.0 × 31.9 × 8.5 (3.268 × 1.256 × 0.335)
	Rotor outer diameter × thickness	292 × 9.0 (11.50 × 0.354)
Master cylinder	Cylinder bore diameter	23.8 (15/16)
Control valve	Valve type	Electric brake force distribution
Brake booster	Diaphragm diameter	256 (10)
Recommended brake fluid		Refer to MA-11. "Fluids and Lubricants" .

NISMO RS

Unit: mm (in)

Front brake	Cylinder bore diameter	57.15 (2.2500)
	Pad length × width × thickness	123.6 × 47.5 × 11.0 (4.87 × 1.870 × 0.433)
	Rotor outer diameter × thickness	320 × 28.0 (12.60 × 1.102)
Rear brake	Cylinder bore diameter	34.93 (1.3752)
	Pad length × width × thickness	83.0 × 31.9 × 8.5 (3.268 × 1.256 × 0.335)
	Rotor outer diameter × thickness	292 × 16.0 (11.50 × 0.630)
Master cylinder	Cylinder bore diameter	23.8 (15/16)
Control valve	Valve type	Electric brake force distribution
Brake booster	Diaphragm diameter	256 (10)
Recommended brake fluid		Refer to MA-11. "Fluids and Lubricants" .

Brake Pedal

INFOID:0000000012200312

Unit: mm (in)

Item	Standard
Brake pedal height	160.4 – 170.4 (6.31 – 6.71)
Depressed brake pedal height [Depressing 490 N (50 kg, 110 lb) while turning the engine ON]	70.0 (2.756) or more
Clearance between stop lamp switch and brake pedal position switch threaded end and the brake pedal lever	0.74 – 1.96 (0.0291 – 0.0772)
Brake pedal play	3 – 11 (0.12 – 0.43)

Brake Booster

INFOID:0000000012200313

Unit: mm (in)

Item	Standard
Input rod length	156.5 – 157.5 (6.16 – 6.20)

Front Disc Brake

INFOID:0000000012200314

EXCEPT NISMO RS

Revision: November 2015

BR-68

2016 JUKE

SERVICE DATA AND SPECIFICATIONS (SDS)

< SERVICE DATA AND SPECIFICATIONS (SDS)

Unit: mm (in)

Item		Limit
Brake pad	Wear thickness	2.0 (0.079)
Disc rotor	Wear thickness	24.0 (0.945)
	Thickness variation (measured at 8 positions)*	0.008 (0.0003)
	Runout (with it attached to the vehicle)	0.035 (0.0014)

*To check if rotor imbalance, rotor runout deformation is occurred.

NISMO RS

Unit: mm (in)

Item		Limit
Brake pad	Wear thickness	2.0 (0.079)
Disc rotor	Wear thickness	26.0 (1.024)
	Thickness variation (measured at 8 positions)*	0.008 (0.0003)
	Runout (with it attached to the vehicle)	0.035 (0.0014)

*To check if rotor imbalance, rotor runout deformation is occurred.

Rear Disc Brake

INFOID:000000012200315

EXCEPT NISMO RS

Unit: mm (in)

Item		Limit
Brake pad	Wear thickness	2.0 (0.079)
Disc rotor	Wear thickness	8.0 (0.315)
	Thickness variation (measured at 8 positions)*	0.016 (0.0006)
	Runout (with it attached to the vehicle)	0.1 (0.004)

*To check if rotor imbalance, rotor runout deformation is occurred.

NISMO RS

Unit: mm (in)

Item		Limit
Brake pad	Wear thickness	2.0 (0.079)
Disc rotor	Wear thickness	14.0 (0.551)
	Thickness variation (measured at 8 positions)*	0.016 (0.0006)
	Runout (with it attached to the vehicle)	0.1 (0.004)

*To check if rotor imbalance, rotor runout deformation is occurred.