

SECTION **ACC**  
ACCELERATOR CONTROL SYSTEM

A

B

ACC

D

E

CONTENTS

<b>PRECAUTION</b> .....	2	<b>ACCELERATOR CONTROL SYSTEM</b> .....	4	F
<b>PRECAUTIONS</b> .....	2	Exploded View .....	4	
Precaution for Technicians Using Medical Electric.....	2	Removal and Installation .....	4	
Point to Be Checked Before Starting Maintenance		Inspection .....	4	G
Work .....	2	<b>SERVICE DATA AND SPECIFICATIONS</b>		
Precaution for Supplemental Restraint System		<b>(SDS)</b> .....	6	H
(SRS) "AIR BAG" and "SEAT BELT PRE-TENSIONER" .....	2	<b>SERVICE DATA AND SPECIFICATIONS</b>		
<b>REMOVAL AND INSTALLATION</b> .....	4	<b>(SDS)</b> .....	6	I
		Accelerator Control .....	6	

F

G

H

I

J

K

L

M

N

O

P

# PRECAUTIONS

< PRECAUTION >

## PRECAUTION

### PRECAUTIONS

#### Precaution for Technicians Using Medical Electric

INFOID:000000010121549

##### OPERATION PROHIBITION

###### **WARNING:**

- Parts with strong magnet is used in this vehicle.
- Technicians using a medical electric device such as pacemaker must never perform operation on the vehicle, as magnetic field can affect the device function by approaching to such parts.

##### NORMAL CHARGE PRECAUTION

###### **WARNING:**

- If a technician uses a medical electric device such as an implantable cardiac pacemaker or an implantable cardioverter defibrillator, the possible effects on the devices must be checked with the device manufacturer before starting the charge operation.
- As radiated electromagnetic wave generated by PDM (Power Delivery Module) at normal charge operation may affect medical electric devices, a technician using a medical electric device such as implantable cardiac pacemaker or an implantable cardioverter defibrillator must not approach motor room [PDM (Power Delivery Module)] at the hood-opened condition during normal charge operation.

##### PRECAUTION AT TELEMATICS SYSTEM OPERATION

###### **WARNING:**

- If a technician uses implantable cardiac pacemaker or implantable cardioverter defibrillator (ICD), avoid the device implanted part from approaching within approximately 220 mm (8.66 in) from interior/exterior antenna.
- The electromagnetic wave of TCU might affect the function of the implantable cardiac pacemaker or the implantable cardioverter defibrillator (ICD), when using the service, etc.
- If a technician uses other medical electric devices than implantable cardiac pacemaker or implantable cardioverter defibrillator (ICD), the electromagnetic wave of TCU might affect the function of the device. The possible effects on the devices must be checked with the device manufacturer before TCU use.

##### PRECAUTION AT INTELLIGENT KEY SYSTEM OPERATION

###### **WARNING:**

- If a technician uses implantable cardiac pacemaker or implantable cardioverter defibrillator (ICD), avoid the device implanted part from approaching within approximately 220 mm (8.66 in) from interior/exterior antenna.
- The electromagnetic wave of Intelligent Key might affect the function of the implantable cardiac pacemaker or the implantable cardioverter defibrillator (ICD), at door operation, at each request switch operation, or at engine starting.
- If a technician uses other medical electric devices than implantable cardiac pacemaker or implantable cardioverter defibrillator (ICD), the electromagnetic wave of Intelligent Key might affect the function of the device. The possible effects on the devices must be checked with the device manufacturer before Intelligent Key use.

#### Point to Be Checked Before Starting Maintenance Work

INFOID:000000010121550

The high voltage system may starts automatically. It is required to check that the timer air conditioner and timer charge (during EVSE connection) are not set before starting maintenance work.

###### **NOTE:**

If the timer air conditioner or timer charge (during EVSE connection) is set, the high voltage system starts automatically even when the power switch is in OFF state.

#### Precaution for Supplemental Restraint System (SRS) "AIR BAG" and "SEAT BELT PRE-TENSIONER"

INFOID:000000010121551

The Supplemental Restraint System such as "AIR BAG" and "SEAT BELT PRE-TENSIONER", used along with a front seat belt, helps to reduce the risk or severity of injury to the driver and front passenger for certain types of collision. This system includes seat belt switch inputs and dual stage front air bag modules. The SRS

# PRECAUTIONS

## < PRECAUTION >

system uses the seat belt switches to determine the front air bag deployment, and may only deploy one front air bag, depending on the severity of a collision and whether the front occupants are belted or unbelted. Information necessary to service the system safely is included in the SR and SB section of this Service Manual.

### **WARNING:**

- To avoid rendering the SRS inoperative, which could increase the risk of personal injury or death in the event of a collision which would result in air bag inflation, all maintenance must be performed by an authorized NISSAN/INFINITI dealer.
- Improper maintenance, including incorrect removal and installation of the SRS, can lead to personal injury caused by unintentional activation of the system. For removal of Spiral Cable and Air Bag Module, see the SR section.
- Do not use electrical test equipment on any circuit related to the SRS unless instructed to in this Service Manual. SRS wiring harnesses can be identified by yellow and/or orange harnesses or harness connectors.

## PRECAUTIONS WHEN USING POWER TOOLS (AIR OR ELECTRIC) AND HAMMERS

### **WARNING:**

- When working near the Airbag Diagnosis Sensor Unit or other Airbag System sensors with the Ignition ON or engine running, DO NOT use air or electric power tools or strike near the sensor(s) with a hammer. Heavy vibration could activate the sensor(s) and deploy the air bag(s), possibly causing serious injury.
- When using air or electric power tools or hammers, always switch the Ignition OFF, disconnect the battery and wait at least three minutes before performing any service.

A  
B  
ACC  
D  
E  
F  
G  
H  
I  
J  
K  
L  
M  
N  
O  
P

# ACCELERATOR CONTROL SYSTEM

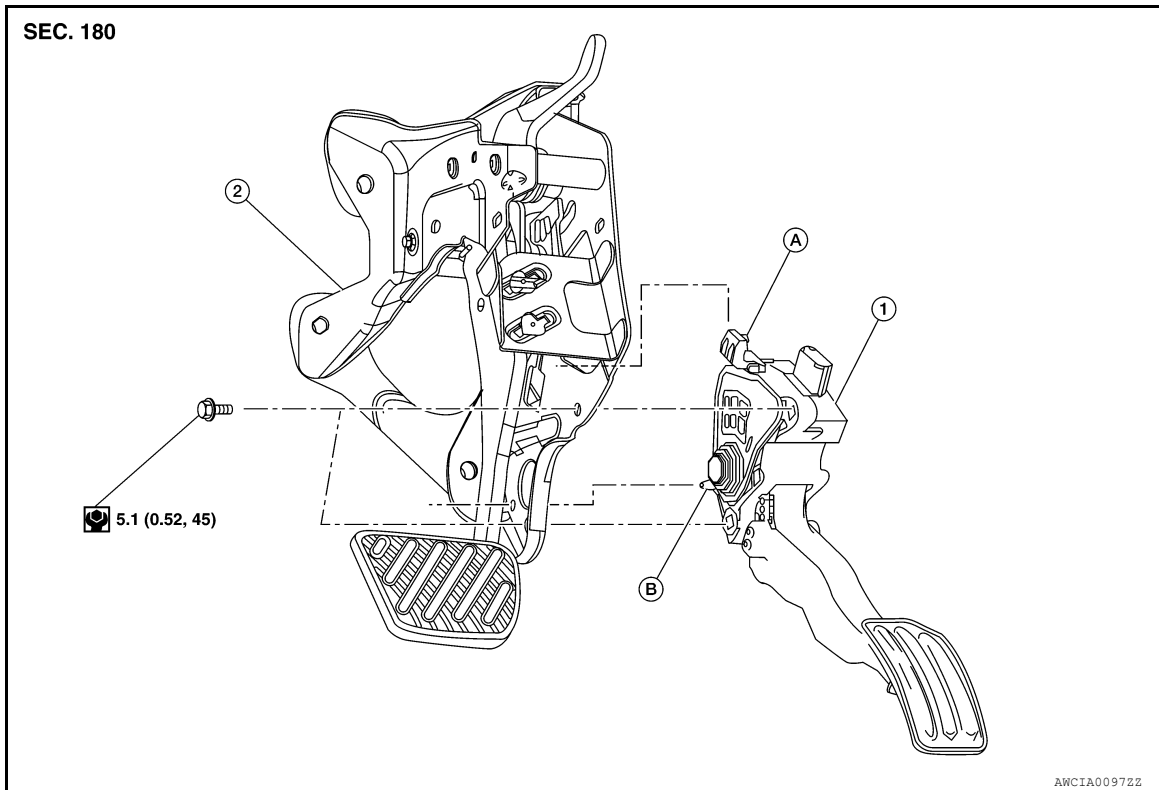
< REMOVAL AND INSTALLATION >

## REMOVAL AND INSTALLATION

### ACCELERATOR CONTROL SYSTEM

Exploded View

INFOID:0000000010121552



1. Accelerator pedal assembly      2. Brake pedal bracket      A. Locating hook  
B. Locating pin

## Removal and Installation

INFOID:0000000010121553

### REMOVAL

1. Disconnect the harness connector from the accelerator pedal position sensor.
2. Remove the accelerator pedal bolts and the accelerator pedal assembly.

#### CAUTION:

- Do not disassemble accelerator pedal assembly. Do not remove accelerator pedal position sensor from accelerator pedal assembly.
- Avoid impact from dropping etc. during handling.
- Be careful to keep accelerator pedal assembly away from water.

### INSTALLATION

Note the following, and install in the reverse order of removal.

- Insert the locating pin while inserting the locating hook in to the brake pedal bracket. Tighten accelerator pedal bolts to specified torque. Refer to [ACC-4, "Exploded View"](#).

#### CAUTION:

Do not squeeze locating hook into the brake pedal bracket when inserting locating pin into the hole on the brake pedal bracket side.

#### NOTE:

For inspection, refer to [ACC-4, "Inspection"](#).

## Inspection

INFOID:0000000010121554

## INSPECTION AFTER INSTALLATION

Revision: May 2014

ACC-4

2014 LEAF

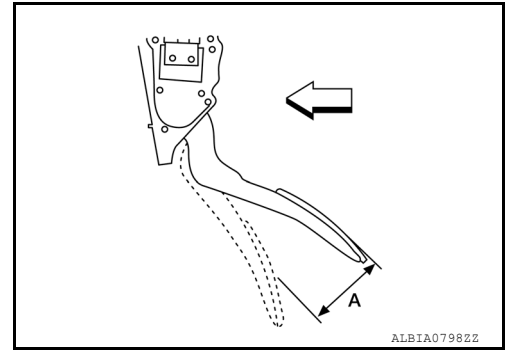
# ACCELERATOR CONTROL SYSTEM

## < REMOVAL AND INSTALLATION >

- Check that the accelerator pedal moves smoothly within the whole operation range when it is fully depressed and released.

⇐: Front

**Accelerator pedal stroke (A)** : Refer to [ACC-6, "Accelerator Control"](#)



- Check the accelerator pedal height.

**Accelerator pedal height** : Refer to [ACC-6, "Accelerator Control"](#)

- Check that the accelerator pedal returns to the fully released position.
- For the electrical inspection of accelerator pedal position sensor. Refer to [EVC-213, "Component Inspection \(Accelerator Pedal Position Sensor\)"](#).

### CAUTION:

- **Whenever the harness connector of the accelerator pedal position sensor has been disconnected, perform "Accelerator Pedal Released Position Learning". Refer to [EVC-133, "Work Procedure"](#).**
- **The accelerator pedal should operate smoothly without catching when the pedal operating force is released. The pedal should return smoothly to the fully raised position. The spring should be free from damage.**

# SERVICE DATA AND SPECIFICATIONS (SDS)

< SERVICE DATA AND SPECIFICATIONS (SDS)

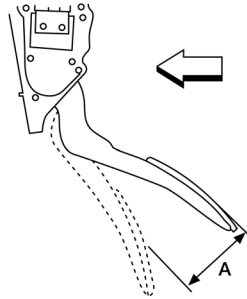
## SERVICE DATA AND SPECIFICATIONS (SDS)

### SERVICE DATA AND SPECIFICATIONS (SDS)

#### Accelerator Control

INFOID:000000010121555

Unit: mm (in)



ALBIA07982Z

Accelerator pedal stroke (A)	49.8 - 52.6 (1.96 - 2.07)
Accelerator pedal height	124.9 +10, -0 (4.92 +0.4, -0)

↔: Front