

SECTION **MIR**
MIRRORS

A
B
C
D
E
F
G
H
I
J
K
M
N
O
P

CONTENTS

PRECAUTION	2	DOOR MIRROR REMOTE CONTROL SWITCH	7
PRECAUTIONS	2	MIRROR SWITCH/CHANGEVER SWITCH	7
Precaution for Technicians Using Medical Electric.....	2	MIRROR SWITCH/CHANGEVER SWITCH :	
Point to Be Checked Before Starting Maintenance Work	2	Component Inspection	7
Precaution for Supplemental Restraint System (SRS) "AIR BAG" and "SEAT BELT PRE-TENSIONER"	2	REMOVAL AND INSTALLATION	8
Precaution for Removing 12V Battery	3	INSIDE MIRROR	8
PREPARATION	4	Exploded View	8
PREPARATION	4	Removal and Installation	8
Special Service Tools	4	OUTSIDE MIRROR	9
Commercial Service Tools	4	Exploded View	9
WIRING DIAGRAM	5	DOOR MIRROR ASSEMBLY	9
DOOR MIRROR SYSTEM	5	DOOR MIRROR ASSEMBLY : Removal and Installation	9
Wiring Diagram	5	GLASS MIRROR	10
AUTO ANTI-DAZZLING INSIDE MIRROR SYSTEM	6	GLASS MIRROR : Removal and Installation	10
Wiring Diagram	6	DOOR MIRROR COVER	10
DTC/CIRCUIT DIAGNOSIS	7	DOOR MIRROR COVER : Removal and Installation	10
		DOOR MIRROR REMOTE CONTROL SWITCH	12
		Removal and Installation	12

MIR

PRECAUTIONS

< PRECAUTION >

PRECAUTION

PRECAUTIONS

Precaution for Technicians Using Medical Electric

INFOID:000000007631508

OPERATION PROHIBITION

WARNING:

- Parts with strong magnet is used in this vehicle.
- Technicians using a medical electric device such as pacemaker must never perform operation on the vehicle, as magnetic field can affect the device function by approaching to such parts.

NORMAL CHARGE PRECAUTION

WARNING:

- If a technician uses a medical electric device such as an implantable cardiac pacemaker or an implantable cardioverter defibrillator, the possible effects on the devices must be checked with the device manufacturer before starting the charge operation.
- As radiated electromagnetic wave generated by on board charger at normal charge operation may effect medical electric devices, a technician using a medical electric device such as implantable cardiac pacemaker or an implantable cardioverter defibrillator must not enter the vehicle compartment (including luggage room) during normal charge operation.

PRECAUTION AT TELEMATICS SYSTEM OPERATION

WARNING:

- If a technician uses implantable cardiac pacemaker or implantable cardioverter defibrillator (ICD), avoid the device implanted part from approaching within approximately 220 mm (8.66 in) from interior/exterior antenna.
- The electromagnetic wave of TCU might affect the function of the implantable cardiac pacemaker or the implantable cardioverter defibrillator (ICD), when using the service, etc.
- If a technician uses other medical electric devices than implantable cardiac pacemaker or implantable cardioverter defibrillator (ICD), the electromagnetic wave of TCU might affect the function of the device. The possible effects on the devices must be checked with the device manufacturer before TCU use.

PRECAUTION AT INTELLIGENT KEY SYSTEM OPERATION

WARNING:

- If a technician uses implantable cardiac pacemaker or implantable cardioverter defibrillator (ICD), avoid the device implanted part from approaching within approximately 220 mm (8.66 in) from interior/exterior antenna.
- The electromagnetic wave of Intelligent Key might affect the function of the implantable cardiac pacemaker or the implantable cardioverter defibrillator (ICD), at door operation, at each request switch operation, or at engine starting.
- If a technician uses other medical electric devices than implantable cardiac pacemaker or implantable cardioverter defibrillator (ICD), the electromagnetic wave of Intelligent Key might affect the function of the device. The possible effects on the devices must be checked with the device manufacturer before Intelligent Key use.

Point to Be Checked Before Starting Maintenance Work

INFOID:000000007631509

The high voltage system may starts automatically. It is required to check that the timer air conditioner and timer charge (during EVSE connection) are not set before starting maintenance work.

NOTE:

If the timer air conditioner or timer charge (during EVSE connection) is set, the high voltage system starts automatically even when the power switch is in OFF state.

Precaution for Supplemental Restraint System (SRS) "AIR BAG" and "SEAT BELT PRE-TENSIONER"

INFOID:000000007631510

The Supplemental Restraint System such as "AIR BAG" and "SEAT BELT PRE-TENSIONER", used along with a front seat belt, helps to reduce the risk or severity of injury to the driver and front passenger for certain types of collision. This system includes seat belt switch inputs and dual stage front air bag modules. The SRS

PRECAUTIONS

< PRECAUTION >

system uses the seat belt switches to determine the front air bag deployment, and may only deploy one front air bag, depending on the severity of a collision and whether the front occupants are belted or unbelted. Information necessary to service the system safely is included in the "SRS AIR BAG" and "SEAT BELT" of this Service Manual.

WARNING:

Always observe the following items for preventing accidental activation.

- To avoid rendering the SRS inoperative, which could increase the risk of personal injury or death in the event of a collision that would result in air bag inflation, all maintenance must be performed by an authorized NISSAN/INFINITI dealer.
- Improper maintenance, including incorrect removal and installation of the SRS, can lead to personal injury caused by unintentional activation of the system. For removal of Spiral Cable and Air Bag Module, see "SRS AIR BAG".
- Never use electrical test equipment on any circuit related to the SRS unless instructed to in this Service Manual. SRS wiring harnesses can be identified by yellow and/or orange harnesses or harness connectors.

PRECAUTIONS WHEN USING POWER TOOLS (AIR OR ELECTRIC) AND HAMMERS

WARNING:

Always observe the following items for preventing accidental activation.

- When working near the Air Bag Diagnosis Sensor Unit or other Air Bag System sensors with the power switch ON, never use air or electric power tools or strike near the sensor(s) with a hammer. Heavy vibration could activate the sensor(s) and deploy the air bag(s), possibly causing serious injury.
- When using air or electric power tools or hammers, always switch the power switch OFF, disconnect the 12V battery, and wait at least 3 minutes before performing any service.

Precaution for Removing 12V Battery

INFOID:000000007631511

CAUTION:

When the 12V battery is removed, plural DTC may be detected.

After installing 12V battery, always perform "All DTC" with CONSULT and delete DTC.

A
B
C
D
E
F
G
H
I
J
K
M
N
O
P

MIR

PREPARATION

< PREPARATION >

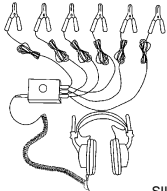
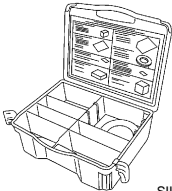
PREPARATION

PREPARATION

Special Service Tools

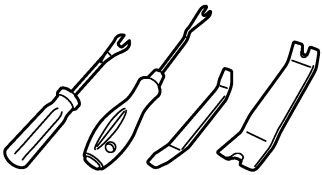
INFOID:000000007631512

The actual shapes of Kent-Moore tools may differ from those of special service tools illustrated here.

Tool number (Kent-Moore No.) Tool name	Description
<p>(J-39570) Chassis ear</p>  <p style="text-align: center;">SIIA0993E</p>	<p>Locates the noise</p>
<p>(J-43980) NISSAN Squeak and Rattle Kit</p>  <p style="text-align: center;">SIIA0994E</p>	<p>Repairs the cause of noise</p>

Commercial Service Tools

INFOID:000000007631513

Tool name	Description
<p>Remover tool</p>  <p style="text-align: center;">JMKIA3050ZZ</p>	<p>Removes the clips, pawls and metal clips</p>

DOOR MIRROR SYSTEM

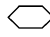
< WIRING DIAGRAM >

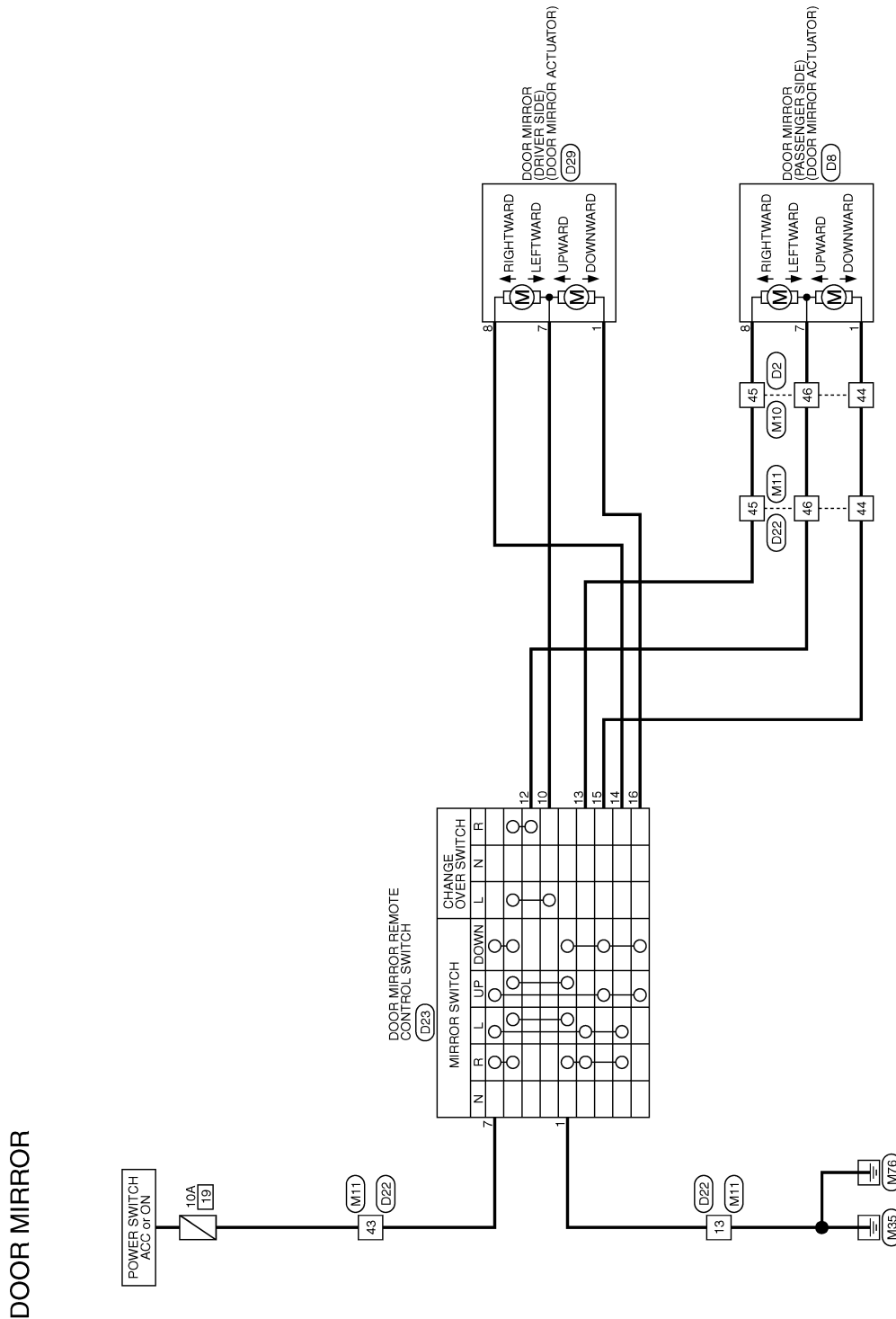
WIRING DIAGRAM

DOOR MIRROR SYSTEM

Wiring Diagram

INFOID:000000007631514

For connector terminal arrangements, harness layouts, and alphabets in a  (option abbreviation; if not described in wiring diagram), refer to [GI-12, "Connector Information"](#).



DOOR MIRROR

A
B
C
D
E
F
G
H
I
J
K
L
M
N
O
P

MIR

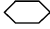
AUTO ANTI-DAZZLING INSIDE MIRROR SYSTEM

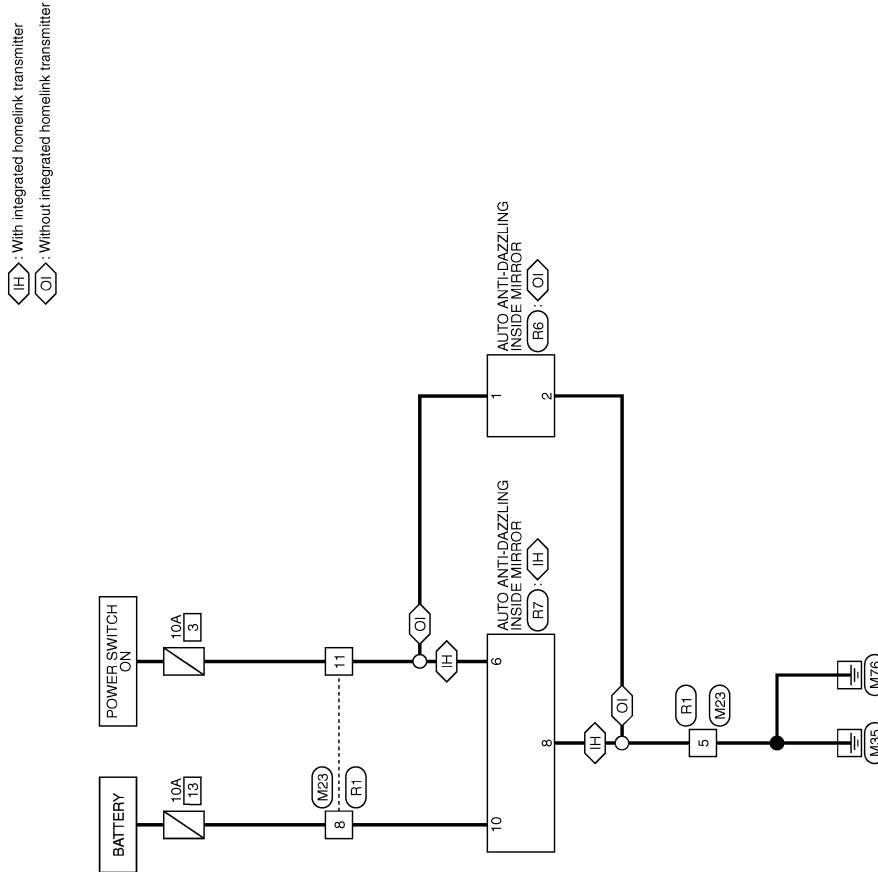
< WIRING DIAGRAM >

AUTO ANTI-DAZZLING INSIDE MIRROR SYSTEM

Wiring Diagram

INFOID:000000007631515

For connector terminal arrangements, harness layouts, and alphabets in a  (option abbreviation; if not described in wiring diagram), refer to [GI-12, "Connector Information"](#).



INSIDE MIRROR

2010/10/29

JCLWA4739GB

DOOR MIRROR REMOTE CONTROL SWITCH

< DTC/CIRCUIT DIAGNOSIS >

DTC/CIRCUIT DIAGNOSIS

DOOR MIRROR REMOTE CONTROL SWITCH MIRROR SWITCH/CHANGEOVER SWITCH

MIRROR SWITCH/CHANGEOVER SWITCH : Component Inspection

INFOID:000000007631516

1. CHECK MIRROR SWITCH AND CHANGEOVER SWITCH

1. Turn power switch OFF.
2. Disconnect door mirror remote control switch connector.
3. Check continuity between door mirror remote control switch terminals under the following conditions.

Door mirror remote control switch			Condition		Continuity
Terminal			Changeover switch	Mirror switch	
Driver side	7	10	LEFT	RIGHT	Existed
	1	14		LEFT	
	7	14		UP	
	1	10		DOWN	
	7	16			
	1	10			
	7	10			
	1	16			
Passenger side	7	12	RIGHT	RIGHT	Existed
	1	13		LEFT	
	7	13		UP	
	1	12		DOWN	
	7	15			
	1	12			
	7	12			
	1	15			

Is the inspection result normal?

YES >> INSPECTION END

NO >> Replace door mirror remote control switch. Refer to [MIR-12. "Removal and Installation"](#).

MIR

INSIDE MIRROR

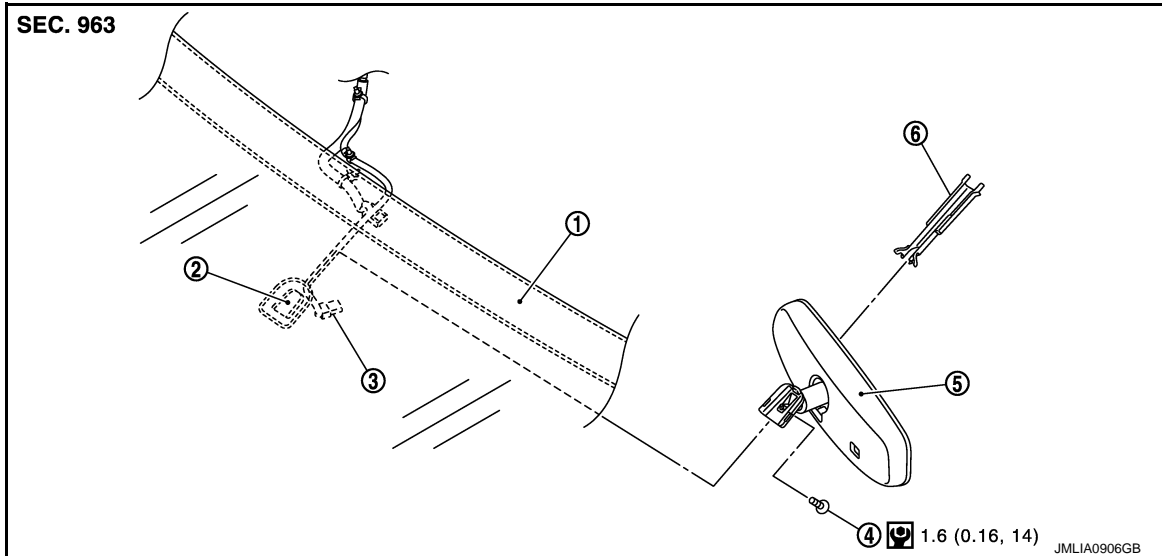
< REMOVAL AND INSTALLATION >

REMOVAL AND INSTALLATION


INSIDE MIRROR

Exploded View

INFOID:000000007631517



- | | | |
|---------------------|------------------|------------------------|
| 1. Windshield glass | 2. Mirror base | 3. Harness connector |
| 4. TORX bolt | 5. Inside mirror | 6. Inside mirror cover |

 N·m (kg·m, in·lb)

Removal and Installation

INFOID:000000007631518

Removal

1. Remove inside mirror cover.
2. Disconnect harness connector from inside mirror.
3. Loosen TORX bolt and slide inside mirror upward to remove.

Installation

Install in the reverse order of removal.

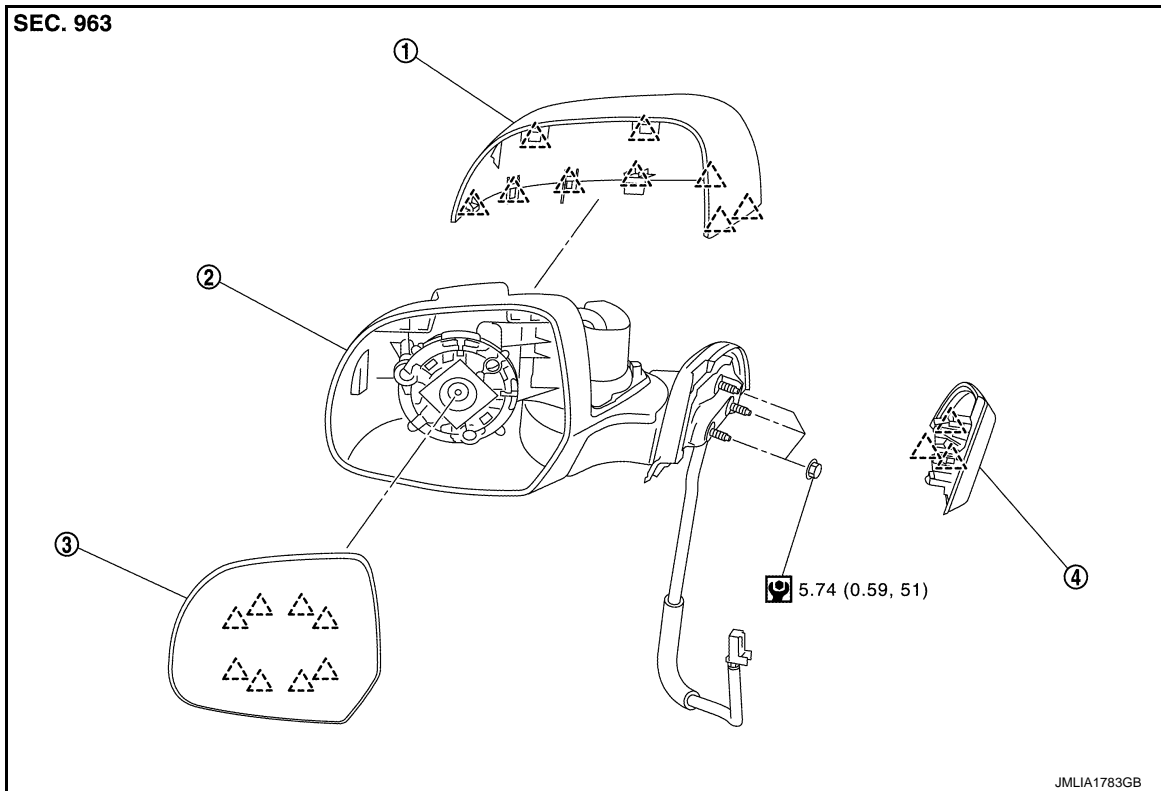
OUTSIDE MIRROR

< REMOVAL AND INSTALLATION >


OUTSIDE MIRROR


Exploded View

INFOID:000000007631519



- 1. Door mirror cover
- 2. Door mirror assembly
- 3. Glass mirror
- 4. Door mirror corner cover

 : Pawl

 N·m (kg·m, in·lb)

DOOR MIRROR ASSEMBLY

DOOR MIRROR ASSEMBLY : Removal and Installation

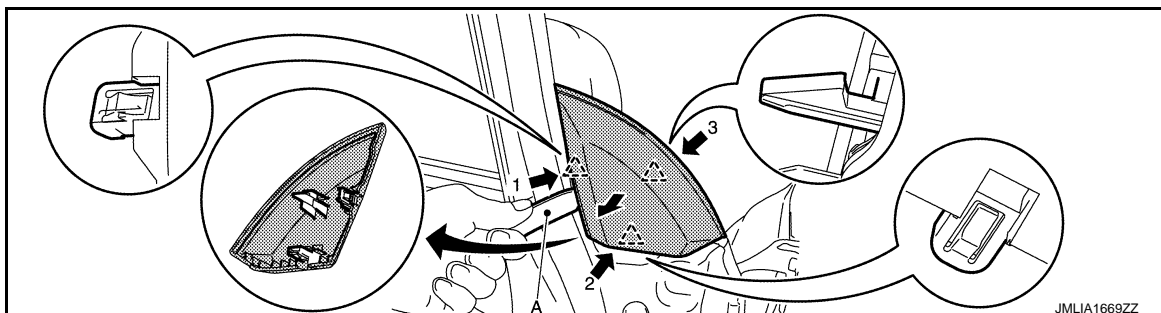
INFOID:000000007631520


CAUTION:

When removing, always use a remover tool that is made of plastic to prevent damage to the parts.

REMOVAL

1. Remove front door finisher. Refer to [INT-14. "Removal and Installation"](#).
2. Remove door mirror corner cover.

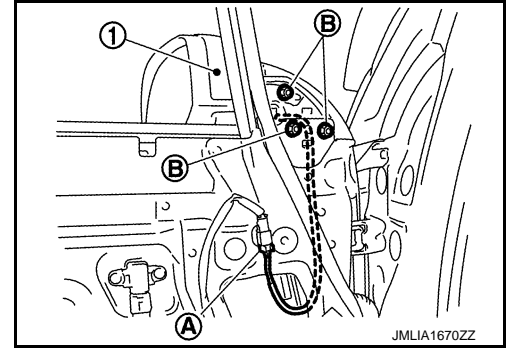


 : Pawl

OUTSIDE MIRROR

< REMOVAL AND INSTALLATION >

- a. Insert a remover tool A into the hole as shown in the figure to disengage the fixing pawls.
- b. Remove door mirror corner cover from door panel.
3. Remove partially front door sealing screen.
4. Disconnect door mirror harness connector (A).
5. Remove door mirror mounting nuts (B).
6. Remove door mirror harness connector from door panel as shown in the figure, and then remove door mirror assembly (1).



INSTALLATION

Install in the reverse order of removal.

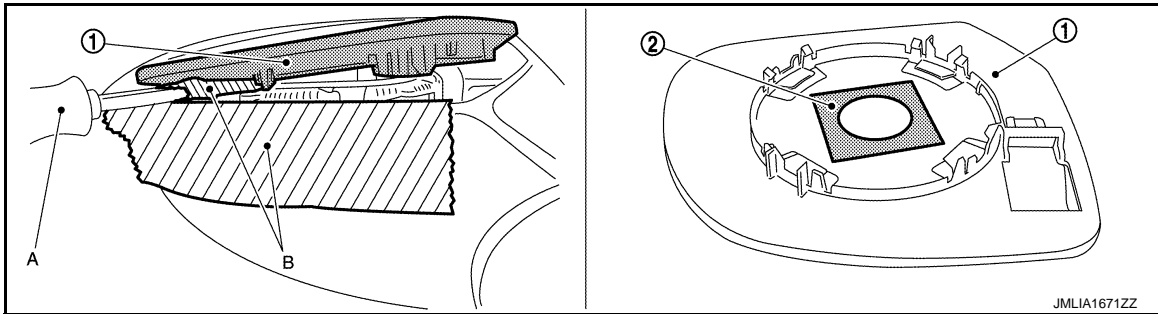
GLASS MIRROR

GLASS MIRROR : Removal and Installation

INFOID:000000007631521

REMOVAL

1. Place the glass mirror upward.
2. Remove glass mirror.



- a. Put a strip of protective tape (B) on mirror body.
- b. Insert a remover tool (A) into the recess at lower side between glass mirror (1) and actuator, and push up pawls to remove glass mirror lower side.
NOTE:
Insert a remover tool into recesses, and push up while rotating (twisting) to make work easier.
- c. Remove the glass mirror fixing butyl-tape (2) with a cutting tool and remove glass mirror from mirror body.
- d. Disconnect the heater harness connectors (if equipped).

INSTALLATION

Note the following item, and then install in the reverse order of removal.

CAUTION:

After installation, visually check that pawls are securely engaged.

DOOR MIRROR COVER

DOOR MIRROR COVER : Removal and Installation

INFOID:000000007631522

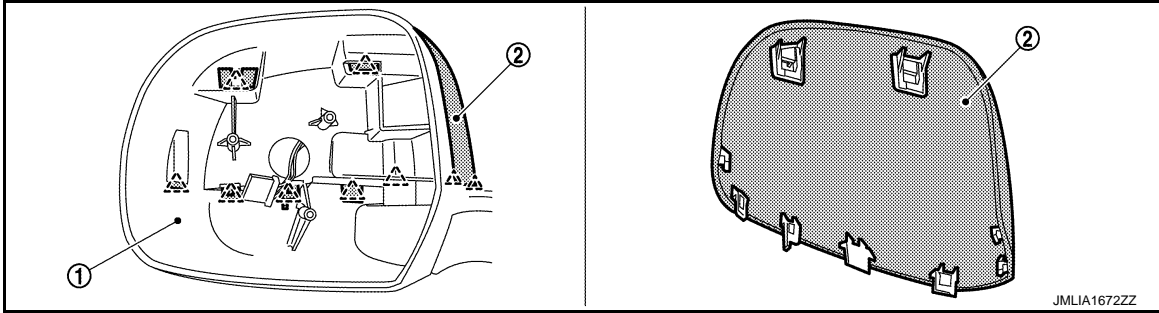
REMOVAL


1. Remove the glass mirror. Refer to [MIR-10. "GLASS MIRROR : Removal and Installation"](#).
2. Remove door mirror actuator.

OUTSIDE MIRROR

< REMOVAL AND INSTALLATION >

3. Disengage door mirror cover (2) fixing pawls with a remover tool.



 : Pawl

4. Remove door mirror cover from door mirror body (1).

INSTALLATION

Note the following item and then install in the reverse order of removal.

CAUTION:

After installation, visually check that pawls are securely engaged.

A
B
C
D
E
F
G
H
I
J
K
M
N
O
P

MIR

DOOR MIRROR REMOTE CONTROL SWITCH

< REMOVAL AND INSTALLATION >


DOOR MIRROR REMOTE CONTROL SWITCH

Removal and Installation

INFOID:000000007631523

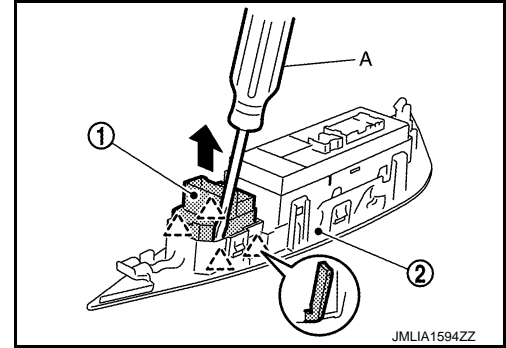
REMOVAL

1. Remove power window main switch finisher. Refer to [INT-14. "Removal and Installation"](#).
2. Remove door mirror remote control switch (1) from power window main switch finisher (2) using remover tool (A).

 : Pawl

CAUTION:

Never fold the pawl of power window main switch finisher.



INSTALLATION

Install in the reverse order of removal.