

SECTION **PWC**

POWER WINDOW CONTROL SYSTEM

A
B
C
D
E
F
G
H
I
J
L
M
N
O
P

CONTENTS

PRECAUTION	3	WIRING DIAGRAM	18
PRECAUTIONS	3	POWER WINDOW SYSTEM	18
Precaution for Technicians Using Medical Electric.....	3	Wiring Diagram	18
Point to Be Checked Before Starting Maintenance		BASIC INSPECTION	20
Work	3	DIAGNOSIS AND REPAIR WORK FLOW	20
Precaution for Supplemental Restraint System		WorkFlow	20
(SRS) "AIR BAG" and "SEAT BELT PRE-TENSIONER"	3	ADDITIONAL SERVICE WHEN REMOVING	
Precautions for Removing Battery Terminal	4	12V BATTERY NEGATIVE TERMINAL	21
SYSTEM DESCRIPTION	6	Description	21
COMPONENT PARTS	6	Work Procedure	21
Component Parts Location	6	ADDITIONAL SERVICE WHEN REPLACING	
Power Window Main Switch	7	POWER WINDOW MAIN SWITCH	22
Power Window Switch	7	Description	22
Power Window Motor	7	Work Procedure	22
SYSTEM	8	SYSTEM INITIALIZATION	23
System Description	8	Description	23
Circuit Diagram	10	Work Procedure	23
Fail Safe	10	CHECK ANTI-PINCH FUNCTION	24
DIAGNOSIS SYSTEM (BCM)	12	Description	24
COMMON ITEM	12	Work Procedure	24
COMMON ITEM : CONSULT Function (BCM -		DTC/CIRCUIT DIAGNOSIS	25
COMMON ITEM)	12	POWER SUPPLY AND GROUND CIRCUIT	25
RETAINED PWR	13	POWER WINDOW MAIN SWITCH	25
RETAINED PWR : CONSULT Function (BCM -		POWER WINDOW MAIN SWITCH : Diagnosis	
RETAINED PWR)	14	Procedure	25
ECU DIAGNOSIS INFORMATION	15	FRONT POWER WINDOW SWITCH (PASSENGER SIDE)	25
BCM	15	FRONT POWER WINDOW SWITCH (PASSENGER SIDE) : Diagnosis Procedure	26
List of ECU Reference	15	REAR POWER WINDOW SWITCH	26
POWER WINDOW MAIN SWITCH	16		
Reference Value	16		
Fail Safe	17		

PWC

REAR POWER WINDOW SWITCH : Diagnosis Procedure	26	WHEN BOTH POWER WINDOW MAIN SWITCH AND REAR POWER WINDOW SWITCH LH ARE OPERATED	43
FRONT POWER WINDOW SWITCH (PASSENGER SIDE)	28	WHEN BOTH POWER WINDOW MAIN SWITCH AND REAR POWER WINDOW SWITCH LH ARE OPERATED : Diagnosis Procedure	43
Diagnosis Procedure	28	WHEN REAR POWER WINDOW SWITCH LH IS OPERATED	43
Component Inspection	29	WHEN REAR POWER WINDOW SWITCH LH IS OPERATED : Diagnosis Procedure	43
REAR POWER WINDOW SWITCH	30	WHEN POWER WINDOW MAIN SWITCH IS OPERATED	43
Diagnosis Procedure	30	WHEN POWER WINDOW MAIN SWITCH IS OPERATED : Diagnosis Procedure	44
Component Inspection	31	REAR RH SIDE POWER WINDOW DOES NOT OPERATE	45
POWER WINDOW MOTOR	32	WHEN BOTH POWER WINDOW MAIN SWITCH AND REAR POWER WINDOW SWITCH RH ARE OPERATED	45
DRIVER SIDE	32	WHEN BOTH POWER WINDOW MAIN SWITCH AND REAR POWER WINDOW SWITCH RH ARE OPERATED : Diagnosis Procedure	45
DRIVER SIDE : Diagnosis Procedure	32	WHEN REAR POWER WINDOW SWITCH RH IS OPERATED	45
PASSENGER SIDE	32	WHEN REAR POWER WINDOW SWITCH RH IS OPERATED : Diagnosis Procedure	45
PASSENGER SIDE : Diagnosis Procedure	32	WHEN POWER WINDOW MAIN SWITCH IS OPERATED	45
REAR LH	33	WHEN POWER WINDOW MAIN SWITCH IS OPERATED : Diagnosis Procedure	46
REAR LH : Diagnosis Procedure	33	AUTO OPERATION DOES NOT OPERATE BUT MANUAL OPERATE NORMALLY (DRIVER SIDE)	47
REAR RH	34	Diagnosis Procedure	47
REAR RH : Diagnosis Procedure	34	ANTI-PINCH SYSTEM DOES NOT OPERATE NORMALLY (DRIVER SIDE)	48
ENCODER CIRCUIT	36	Diagnosis Procedure	48
Diagnosis Procedure	36	POWER WINDOW LOCK SWITCH DOES NOT FUNCTION	49
SYMPTOM DIAGNOSIS	39	Diagnosis Procedure	49
POWER WINDOWS DO NOT OPERATE WITH POWER WINDOW MAIN SWITCH	39	POWER WINDOW RETAINED POWER OPERATION DOES NOT OPERATE PROPERLY	50
Diagnosis Procedure	39	Diagnosis Procedure	50
DRIVER SIDE POWER WINDOW DOES NOT OPERATE	40	REMOVAL AND INSTALLATION	51
Diagnosis Procedure	40	POWER WINDOW MAIN SWITCH	51
FRONT PASSENGER SIDE POWER WINDOW DOES NOT OPERATE	41	Removal and Installation	51
WHEN BOTH POWER WINDOW MAIN SWITCH AND FRONT POWER WINDOW SWITCH ARE OPERATED	41		
WHEN BOTH POWER WINDOW MAIN SWITCH AND FRONT POWER WINDOW SWITCH ARE OPERATED : Diagnosis Procedure	41		
WHEN FRONT POWER WINDOW SWITCH (PASSENGER SIDE) IS OPERATED	41		
WHEN FRONT POWER WINDOW SWITCH (PASSENGER SIDE) IS OPERATED : Diagnosis Procedure	41		
WHEN POWER WINDOW MAIN SWITCH IS OPERATED	41		
WHEN POWER WINDOW MAIN SWITCH IS OPERATED : Diagnosis Procedure	42		
REAR LH SIDE POWER WINDOW DOES NOT OPERATE	43		

PRECAUTIONS

< PRECAUTION >

PRECAUTION

PRECAUTIONS

Precaution for Technicians Using Medical Electric

INFOID:000000007632379

OPERATION PROHIBITION

WARNING:

- Parts with strong magnet is used in this vehicle.
- Technicians using a medical electric device such as pacemaker must never perform operation on the vehicle, as magnetic field can affect the device function by approaching to such parts.

NORMAL CHARGE PRECAUTION

WARNING:

- If a technician uses a medical electric device such as an implantable cardiac pacemaker or an implantable cardioverter defibrillator, the possible effects on the devices must be checked with the device manufacturer before starting the charge operation.
- As radiated electromagnetic wave generated by on board charger at normal charge operation may effect medical electric devices, a technician using a medical electric device such as implantable cardiac pacemaker or an implantable cardioverter defibrillator must not enter the vehicle compartment (including luggage room) during normal charge operation.

PRECAUTION AT TELEMATICS SYSTEM OPERATION

WARNING:

- If a technician uses implantable cardiac pacemaker or implantable cardioverter defibrillator (ICD), avoid the device implanted part from approaching within approximately 220 mm (8.66 in) from interior/exterior antenna.
- The electromagnetic wave of TCU might affect the function of the implantable cardiac pacemaker or the implantable cardioverter defibrillator (ICD), when using the service, etc.
- If a technician uses other medical electric devices than implantable cardiac pacemaker or implantable cardioverter defibrillator (ICD), the electromagnetic wave of TCU might affect the function of the device. The possible effects on the devices must be checked with the device manufacturer before TCU use.

PRECAUTION AT INTELLIGENT KEY SYSTEM OPERATION

WARNING:

- If a technician uses implantable cardiac pacemaker or implantable cardioverter defibrillator (ICD), avoid the device implanted part from approaching within approximately 220 mm (8.66 in) from interior/exterior antenna.
- The electromagnetic wave of Intelligent Key might affect the function of the implantable cardiac pacemaker or the implantable cardioverter defibrillator (ICD), at door operation, at each request switch operation, or at engine starting.
- If a technician uses other medical electric devices than implantable cardiac pacemaker or implantable cardioverter defibrillator (ICD), the electromagnetic wave of Intelligent Key might affect the function of the device. The possible effects on the devices must be checked with the device manufacturer before Intelligent Key use.

Point to Be Checked Before Starting Maintenance Work

INFOID:000000007632380

The high voltage system may starts automatically. It is required to check that the timer air conditioner and timer charge (during EVSE connection) are not set before starting maintenance work.

NOTE:

If the timer air conditioner or timer charge (during EVSE connection) is set, the high voltage system starts automatically even when the power switch is in OFF state.

Precaution for Supplemental Restraint System (SRS) "AIR BAG" and "SEAT BELT PRE-TENSIONER"

INFOID:000000007632381

The Supplemental Restraint System such as "AIR BAG" and "SEAT BELT PRE-TENSIONER", used along with a front seat belt, helps to reduce the risk or severity of injury to the driver and front passenger for certain types of collision. This system includes seat belt switch inputs and dual stage front air bag modules. The SRS

A
B
C
D
E
F
G
H
I
J
L
M
N
O
P

PWC

PRECAUTIONS

< PRECAUTION >

system uses the seat belt switches to determine the front air bag deployment, and may only deploy one front air bag, depending on the severity of a collision and whether the front occupants are belted or unbelted. Information necessary to service the system safely is included in the “SRS AIR BAG” and “SEAT BELT” of this Service Manual.

WARNING:

Always observe the following items for preventing accidental activation.

- To avoid rendering the SRS inoperative, which could increase the risk of personal injury or death in the event of a collision that would result in air bag inflation, all maintenance must be performed by an authorized NISSAN/INFINITI dealer.
- Improper maintenance, including incorrect removal and installation of the SRS, can lead to personal injury caused by unintentional activation of the system. For removal of Spiral Cable and Air Bag Module, see “SRS AIR BAG”.
- Never use electrical test equipment on any circuit related to the SRS unless instructed to in this Service Manual. SRS wiring harnesses can be identified by yellow and/or orange harnesses or harness connectors.

PRECAUTIONS WHEN USING POWER TOOLS (AIR OR ELECTRIC) AND HAMMERS

WARNING:

Always observe the following items for preventing accidental activation.

- When working near the Air Bag Diagnosis Sensor Unit or other Air Bag System sensors with the power switch ON, never use air or electric power tools or strike near the sensor(s) with a hammer. Heavy vibration could activate the sensor(s) and deploy the air bag(s), possibly causing serious injury.
- When using air or electric power tools or hammers, always switch the power switch OFF, disconnect the 12V battery, and wait at least 3 minutes before performing any service.

Precautions for Removing Battery Terminal

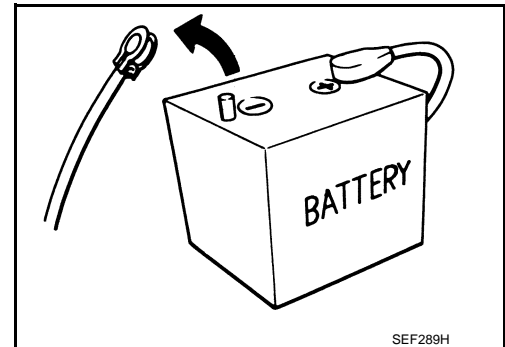
INFOID:000000007632382

- When removing the 12V battery terminal, turn OFF the power switch and wait at least 5 minutes.

NOTE:

ECU may be active for several minutes after the power switch is turned OFF. If the battery terminal is removed before ECU stops, then a DTC detection error or ECU data corruption may occur.

- Always disconnect the battery terminal within 60 minutes after turning OFF the power switch. Even when the power switch is OFF, the 12V battery automatic charge control may automatically start after a lapse of 60 minutes from power switch OFF.
- Disconnect 12V battery terminal according to the following steps.



WORK PROCEDURE

1. Check that EVSE is not connected.

NOTE:

If EVSE is connected, the air conditioning system may be automatically activated by the timer A/C function.

2. Turn the power switch OFF → ON → OFF. Get out of the vehicle. Close all doors (including back door).
3. Check that the charge status indicator lamp does not blink and wait for 5 minutes or more.

NOTE:

If the battery is removed within 5 minutes after the power switch is turned OFF, plural DTCs may be detected.

4. Remove 12V battery terminal within 60 minutes after turning the power switch OFF → ON → OFF.

CAUTION:

- After all doors (including back door) are closed, if a door (including back door) is opened before battery terminals are disconnected, start over from Step 1.
- After turning the power switch OFF, if “Remote A/C” is activated by user operation, stop the air conditioner and start over from Step 1.

NOTE:

Once the power switch is turned ON → OFF, the 12V battery automatic charge control does not start for approximately 1 hour.

PRECAUTIONS

< PRECAUTION >

- For vehicles with the 2-batteries, be sure to connect the main battery and the sub battery before turning ON the power switch.

A

NOTE:

If the power switch is turned ON with any one of the terminals of main battery and sub battery disconnected, then DTC may be detected.

- After installing the 12V battery, always check "Self Diagnosis Result" of all ECUs and erase DTC.

B

NOTE:

The removal of 12V battery may cause a DTC detection error.

C

D

E

F

G

H

I

J

PWC

L

M

N

O

P

COMPONENT PARTS

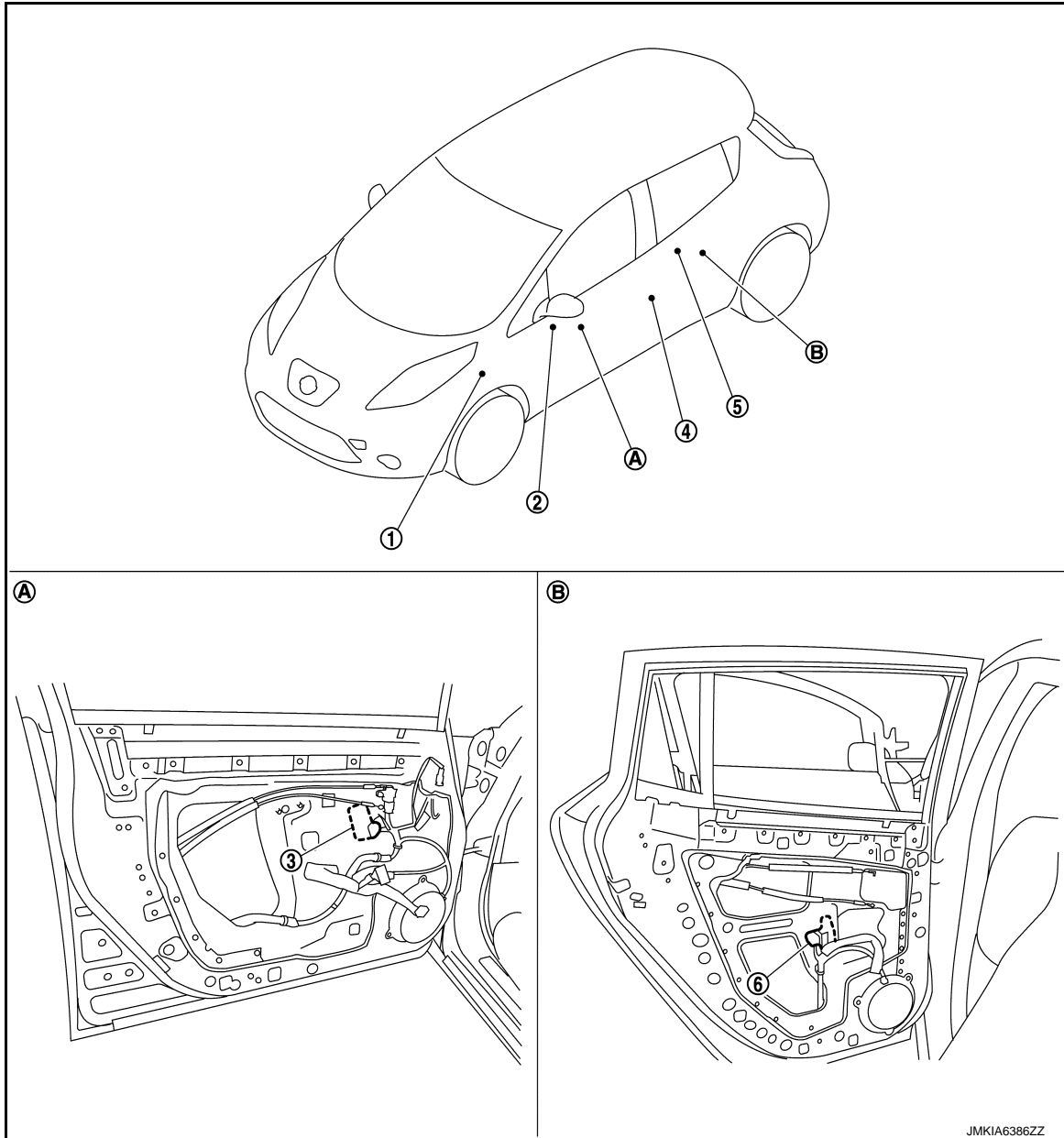
< SYSTEM DESCRIPTION >

SYSTEM DESCRIPTION

COMPONENT PARTS

Component Parts Location

INFOID:000000007632383



A. View with front door finisher removed B. View with rear door finisher removed

No.	Component parts	Function
1.	BCM	<ul style="list-style-type: none"> Supplies power supply to power window switch Controls retained power Refer to BCS-6, "BODY CONTROL SYSTEM : Component Parts Location" for detailed installation location
2.	Power window main switch	Refer to PWC-7, "Power Window Main Switch"
3.	Front power window motor (driver side)	Refer to PWC-7, "Power Window Motor"

COMPONENT PARTS

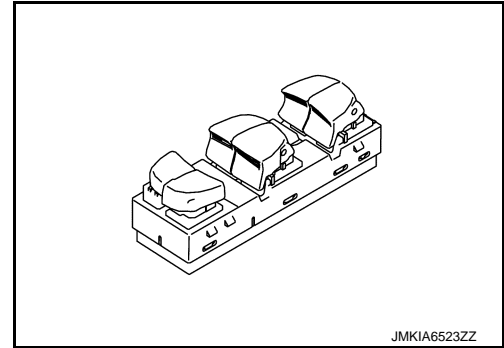
< SYSTEM DESCRIPTION >

No.	Component parts	Function
4.	Front door switch (driver side)	<ul style="list-style-type: none"> Inputs door open/close condition to BCM Refer to DLK-13. "Component Parts Location" for detailed installation location
5.	Rear power window switch LH	Refer to PWC-7. "Power Window Switch"
6.	Rear power window motor LH	Refer to PWC-7. "Power Window Motor"

Power Window Main Switch

INFOID:000000007828183

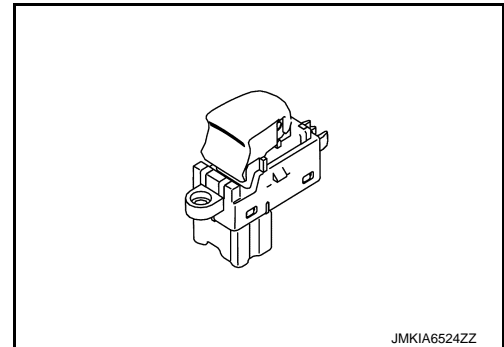
- Power window main switch controls all power windows.
- Power window main switch integrates UP/DOWN switch, power window lock switch, and door lock/unlock switch.
- Power window main switch controls power window lock function, AUTO UP/DOWN function, and anti-pinch function.



Power Window Switch

INFOID:000000007828184

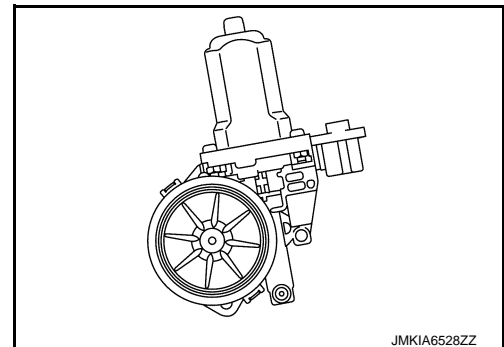
- Each power window switch transmits UP/DOWN signal to each motor.
- Each power window switch transmits UP/DOWN signal from power window main switch to each motor.



Power Window Motor

INFOID:000000007632384

- Integrates the encoder and power window motor (front driver side).
- Starts operation according to signals from power window main switch (front driver side).
- Transmits front power window motor (driver side) rotation as a pulse signal to power window main switch.
- Excepting power window motor for driver door, starts operation according to signals from power window main switch or each power window switches.



A
B
C
D
E
F
G
H
I
J
PWC
L
M
N
O
P

SYSTEM

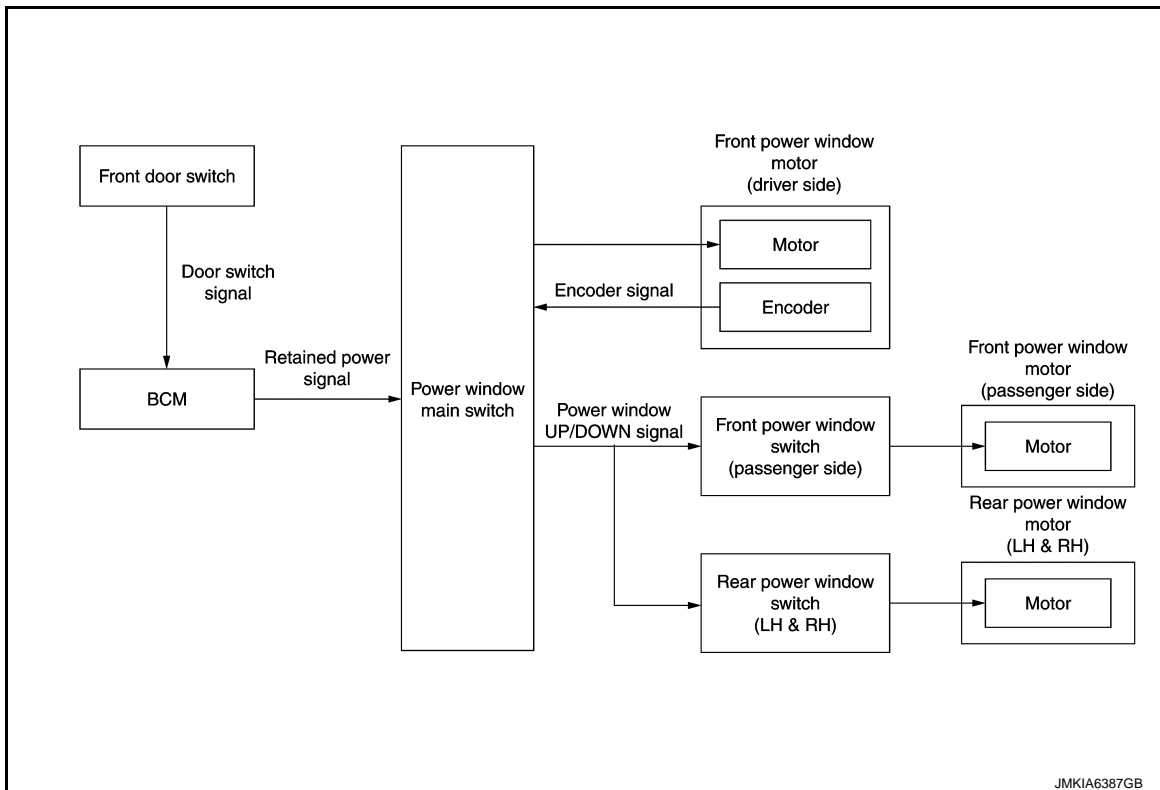
< SYSTEM DESCRIPTION >

SYSTEM

System Description

INFOID:000000007632385

SYSTEM DIAGRAM



POWER WINDOW OPERATION

- Power window main switch can open/close all windows.
- Front & rear power window switch can open/close the corresponding windows.

POWER WINDOW AUTO-OPERATION (FRONT DRIVER SIDE)

- AUTO UP/DOWN operation can be performed when power window main switch turns to AUTO.
- Encoder continues detecting the movement of power window motor and transmits to power window switch as the encoder pulse signal while power window motor is operating.
- Power window switch reads the changes of encoder signal and stops AUTO operation when door glass is at fully opened/closed position.
- Power window motor is operable in case encoder is malfunctioning.

RETAINED POWER OPERATION

Retained power operation is an additional power supply function that enables power window system to operate for 45 seconds even when power switch is turned OFF.

RETAINED POWER CANCEL CONDITIONS

- Front door CLOSE (door switch OFF) → OPEN (door switch ON).
- When power switch is ON again.
- When timer time passes. (45 seconds)

POWER WINDOW LOCK

Ground circuit inside power window main switch shuts off when power window lock switch is ON. This inhibits power window switch operation except with the power window main switch.

ANTI-PINCH SYSTEM (FRONT DRIVER SIDE)

- Pinch foreign material in the door glass during AUTO-UP operation, and it is the anti-pinch function that lowers the door glass 150 mm (5.9 in) when detected.
- Encoder continues detecting the movement of front power window motor (driver side) and transmits to power window main switch as the encoder pulse signal while front power window motor (driver side) is operating.

SYSTEM

< SYSTEM DESCRIPTION >

- Resistance is applied to the front power window motor (driver side) rotation that changes the frequency of encoder pulse signal if foreign material is trapped in the door glass. A
- Power window main switch controls to lower the window glass for 150 mm (5.9 in) after it detects encoder pulse signal frequency change.

OPERATION CONDITION

- When front door glass (driver side) AUTO-UP operation is performed (anti-pinch function does not operate just before the door glass closes and is fully closed) B

NOTE:

Depending on environment and driving conditions, if a similar impact or load is applied to the door glass, it may lower. C

D

E

F

G

H

I

J

PWC

L

M

N

O

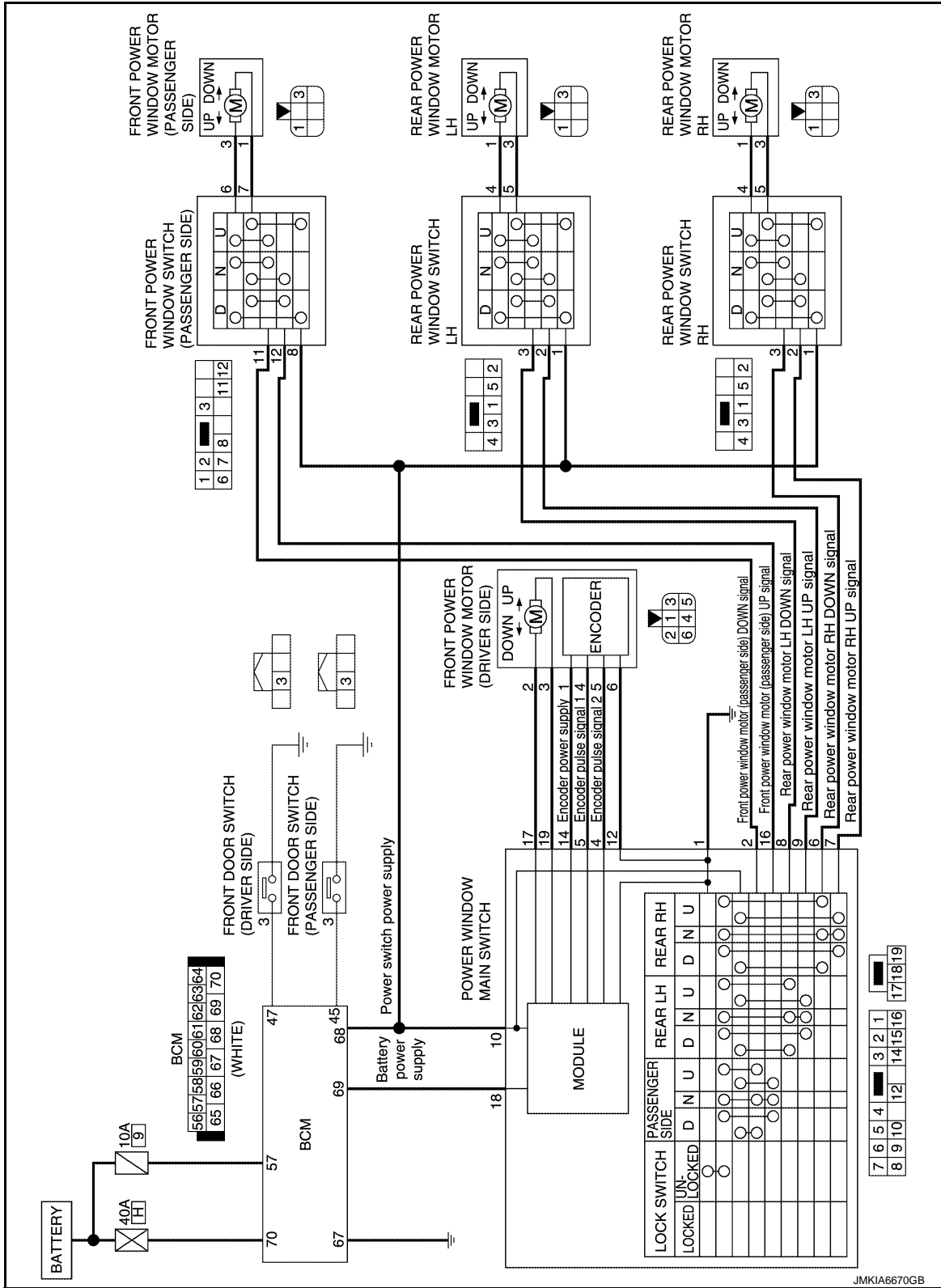
P

SYSTEM

< SYSTEM DESCRIPTION >

Circuit Diagram

INFOID:000000007632386



JMKIA6670GB

Fail Safe

INFOID:000000007632387

FAIL-SAFE CONTROL

Switches to fail-safe control when malfunction is detected in encoder signal that detects up/down speed and direction of door glass. Switches to fail-safe control when error beyond regulation value is detected between the fully closed position and the actual position of the glass.

SYSTEM

< SYSTEM DESCRIPTION >

Error	Error condition
Pulse sensor malfunction	When only one side of pulse signal is being detected for more than the specified value.
Both pulse sensors malfunction	When both pulse signals have not been detected for more than the specified value during glass open/close operation.
Pulse direction malfunction	When the pulse signal that is detected during glass open/close operation detects the opposite condition of power window motor operating direction.
Glass recognition position malfunction 1	When it detects the error between glass fully closed position in power window switch memory and actual fully closed position during glass open/close operation is more than the specified value.
Glass recognition position malfunction 2	When it detects pulse count more than the value of glass full stroke during glass open/close operation.

It changes to condition before initialization and the following functions do not operate when switched to fail-safe control.

- Auto-up operation
- Anti-pinch function

Perform initial operation to recover when switched to fail-safe mode. However, it switches back to fail-safe control when malfunction is found in power window main switch or front power window motor (driver side).

A
B
C
D
E
F
G
H
I
J
L
M
N
O
P

PWC

DIAGNOSIS SYSTEM (BCM)

< SYSTEM DESCRIPTION >

DIAGNOSIS SYSTEM (BCM)

COMMON ITEM

COMMON ITEM : CONSULT Function (BCM - COMMON ITEM)

INFOID:000000007632388

APPLICATION ITEM

CONSULT performs the following functions via CAN communication with BCM.

Diagnosis mode	Function Description
Work Support	Changes the setting for each system function.
Self Diagnostic Result	Displays the diagnosis results judged by BCM.
CAN Diag Support Monitor	Monitors the reception status of CAN communication viewed from BCM.
Data Monitor	The BCM input/output signals are displayed.
Active Test	The signals used to activate each device are forcibly supplied from BCM.
Ecu Identification	The BCM part number is displayed.
Configuration	<ul style="list-style-type: none"> • Read and save the vehicle specification. • Write the vehicle specification when replacing BCM.

SYSTEM APPLICATION

BCM can perform the following functions for each system.

NOTE:

It can perform the diagnosis modes except the following for all sub system selection items.

×: Applicable item

System	Sub system selection item	Diagnosis mode		
		Work Support	Data Monitor	Active Test
Door lock	DOOR LOCK	×	×	×
Rear window defogger	REAR DEFOGGER		×	×
Warning chime	BUZZER		×	×
Interior room lamp timer	INT LAMP	×	×	×
Exterior lamp	HEAD LAMP	×	×	×
Wiper and washer	WIPER	×	×	×
Turn signal and hazard warning lamps	FLASHER	×	×	×
—	AIR CONDITONER*		×	×
Intelligent Key system	INTELLIGENT KEY	×	×	×
Combination switch	COMB SW		×	
Body control system	BCM	×		
NVIS - NATS	IMMU	×	×	×
Interior room lamp battery saver	BATTERY SAVER	×	×	×
Back door open	TRUNK		×	
Theft warning alarm	THEFT ALM	×	×	×
RAP system	RETAINED PWR		×	
Signal buffer system	SIGNAL BUFFER		×	×
TPMS	AIR PRESSURE MONITOR	×	×	×

*: This item is displayed, but not used.

FREEZE FRAME DATA (FFD)

The BCM records the following vehicle condition at the time a particular DTC is detected, and displays on CONSULT.

DIAGNOSIS SYSTEM (BCM)

< SYSTEM DESCRIPTION >

CONSULT screen item	Indication/Unit	Description		
Vehicle Speed	km/h	Vehicle speed of the moment a particular DTC is detected		A
Odo/Trip Meter	km	Total mileage (Odometer value) of the moment a particular DTC is detected		
Vehicle Condition	SLEEP>LOCK	Power supply position status of the moment a particular DTC is detected*	While turning BCM status from low power consumption mode to normal mode [Power supply position is OFF (LOCK)]	B
	SLEEP>OFF		While turning BCM status from low power consumption mode to normal mode [Power supply position is OFF (OFF)]	C
	LOCK>ACC		While turning power supply position from OFF (LOCK) to ACC	
	ACC>ON		While turning power supply position from ACC to ON	D
	RUN>ACC		While turning power supply position from READY (RUN) to ACC (Except emergency stop operation)	E
	CRANK>RUN		While turning power supply position from READY (CRANK) to READY (RUN)	F
	RUN>URGENT		While turning power supply position from READY (RUN) to ACC (Emergency stop operation)	G
	ACC>OFF		While turning power supply position from ACC to OFF (OFF)	H
	OFF>LOCK		While turning power supply position from OFF (OFF) to OFF (LOCK)	I
	OFF>ACC		While turning power supply position from OFF (OFF) to ACC	J
	ON>CRANK		While turning power supply position from ON to READY (CRANK)	
	OFF>SLEEP		While turning BCM status from normal mode [Power supply position is OFF (OFF)] to low power consumption mode	
	LOCK>SLEEP		While turning BCM status from normal mode [Power supply position is OFF (LOCK)] to low power consumption mode	
	LOCK		Power supply position is OFF (LOCK)	
	OFF		Power supply position is OFF (OFF)	
	ACC		Power supply position is ACC	
	ON		Power supply position is ON	
ENGINE RUN	Power supply position is READY (RUN)			
CRANKING	Power supply position is READY (CRANK)			
IGN Counter	0 - 39	The number of times that power switch is turned ON after DTC is detected <ul style="list-style-type: none"> • The number is 0 when a malfunction is detected now. • The number increases like 1 → 2 → 3...38 → 39 after returning to the normal condition whenever power switch OFF → ON. • The number is fixed to 39 until the self-diagnosis results are erased if it is over 39. 		

NOTE:

*: Refer to the following for details of the power supply position.

- OFF (OFF, LOCK): Power switch OFF
- ACC: Power switch ACC
- ON: Power switch ON
- READY (CRANK): Shifting to vehicle condition READY (Transmitting the READY signal from BCM to VCM)
- READY (RUN): Vehicle condition READY

Power supply position shifts to "OFF (LOCK)" from "OFF (OFF)", when power switch is in the OFF position, shift position is in the P position, and any of the following conditions are met.

- Closing door
- Opening door
- Door is locked using door request switch
- Door is locked using Intelligent Key

The power supply position shifts to "ACC" when the power switch (push switch) is pushed at "OFF (LOCK)".

RETAINED PWR

DIAGNOSIS SYSTEM (BCM)

< SYSTEM DESCRIPTION >

RETAINED PWR : CONSULT Function (BCM - RETAINED PWR)

INFOID:000000007632389

DATA MONITOR

Monitor Item	Description
DOOR SW-DR	Indicates [ON/OFF] condition of driver side door switch.
DOOR SW-AS	Indicates [ON/OFF] condition of passenger side door switch.

BCM

< ECU DIAGNOSIS INFORMATION >

ECU DIAGNOSIS INFORMATION

BCM

List of ECU Reference

INFOID:0000000007632390

ECU	Reference
BCM	BCS-34, "Reference Value"
	BCS-54, "Fail-safe"
	BCS-55, "DTC Inspection Priority Chart"
	BCS-56, "DTC Index"

A
B
C
D
E
F
G
H
I
J
L
M
N
O
P

PWC

POWER WINDOW MAIN SWITCH

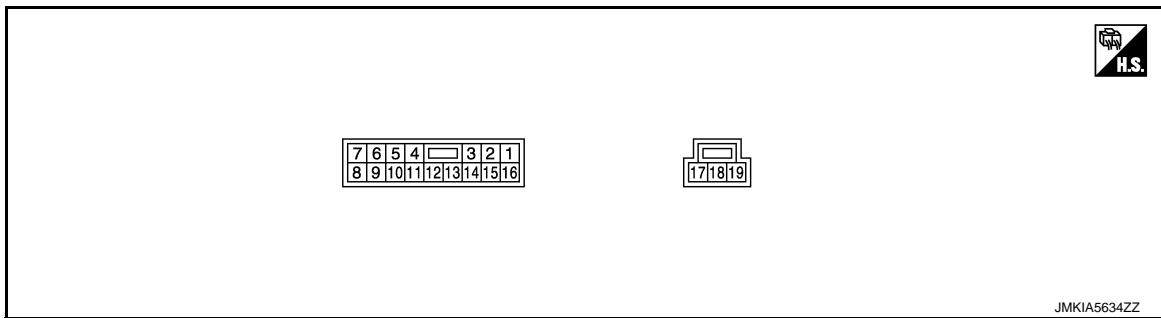
< ECU DIAGNOSIS INFORMATION >

POWER WINDOW MAIN SWITCH

Reference Value

INFOID:000000007632391

TERMINAL LAYOUT



PHYSICAL VALUES

POWER WINDOW MAIN SWITCH

Terminal No. (Wire color)		Description		Condition	Voltage (V)
+	-	Signal name	Input/ Output		
1 (B)	Ground	Ground	—	—	0 – 1
2 (SB)	Ground	Front power window motor (passenger side) DOWN signal	Output	When front RH switch in power window main switch is DOWN at operated.	9 – 16
4 (W)	Ground	Encoder pulse signal 2	Input	When front power window motor (driver side) operates.	 <small>JMKIA0070GB</small>
5 (Y)	Ground	Encoder pulse signal 1	Input	When front power window motor (driver side) operates.	 <small>JMKIA0070GB</small>
6 (Y)	Ground	Rear power window motor RH DOWN signal	Output	When rear RH switch in power window main switch is DOWN at operated.	9 – 16
7 (LG)	Ground	Rear power window motor RH UP signal	Output	When rear RH switch in power window main switch is UP at operated.	9 – 16
8 (BR)	Ground	Rear power window motor LH DOWN signal	Output	When rear LH switch in power window main switch is DOWN at operated.	9 – 16
9 (P)	Ground	Rear power window motor LH UP signal	Output	When rear LH switch in power window main switch is UP at operated.	9 – 16

POWER WINDOW MAIN SWITCH

< ECU DIAGNOSIS INFORMATION >

Terminal No. (Wire color)		Description		Condition	Voltage (V)
+	-	Signal name	Input/ Output		
10 (V)	Ground	Power switch power supply	Input	Power switch ON	9 – 16
				Other than above	0 – 1
12 (R)	Ground	Encoder ground	—	—	0 – 1
14 (G)	Ground	Encoder power supply	Output	Power switch ON	9 – 16
16 (W)	Ground	Front power window motor (passenger side) UP signal	Output	When front RH switch in power window main switch is UP at operated.	9 – 16
17 (R)	Ground	Front power window motor (driver side) UP signal	Output	When front LH switch in power window main switch is UP at operated.	9 – 16
18 (R)	Ground	Battery power supply	Input	Power switch OFF	9 – 16
19 (GR)	Ground	Front power window motor (driver side) DOWN signal	Output	When front LH switch in power window main switch is DOWN at operated.	9 – 16

Fail Safe

INFOID:000000007632392

FAIL-SAFE CONTROL

Switches to fail-safe control when malfunction is detected in encoder signal that detects up/down speed and direction of door glass. Switches to fail-safe control when error beyond regulation value is detected between the fully closed position and the actual position of the glass.

Error	Error condition
Pulse sensor malfunction	When only one side of pulse signal is being detected for more than the specified value.
Both pulse sensors malfunction	When both pulse signals have not been detected for more than the specified value during glass open/close operation.
Pulse direction malfunction	When the pulse signal that is detected during glass open/close operation detects the opposite condition of power window motor operating direction.
Glass recognition position malfunction 1	When it detects the error between glass fully closed position in power window switch memory and actual fully closed position during glass open/close operation is more than the specified value.
Glass recognition position malfunction 2	When it detects pulse count more than the value of glass full stroke during glass open/close operation.

It changes to condition before initialization and the following functions do not operate when switched to fail-safe control.

- Auto-up operation
- Anti-pinch function

Perform initial operation to recover when switched to fail-safe mode. However, it switches back to fail-safe control when malfunction is found in power window main switch or front power window motor (driver side).

POWER WINDOW SYSTEM

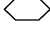
< WIRING DIAGRAM >

WIRING DIAGRAM

POWER WINDOW SYSTEM

Wiring Diagram

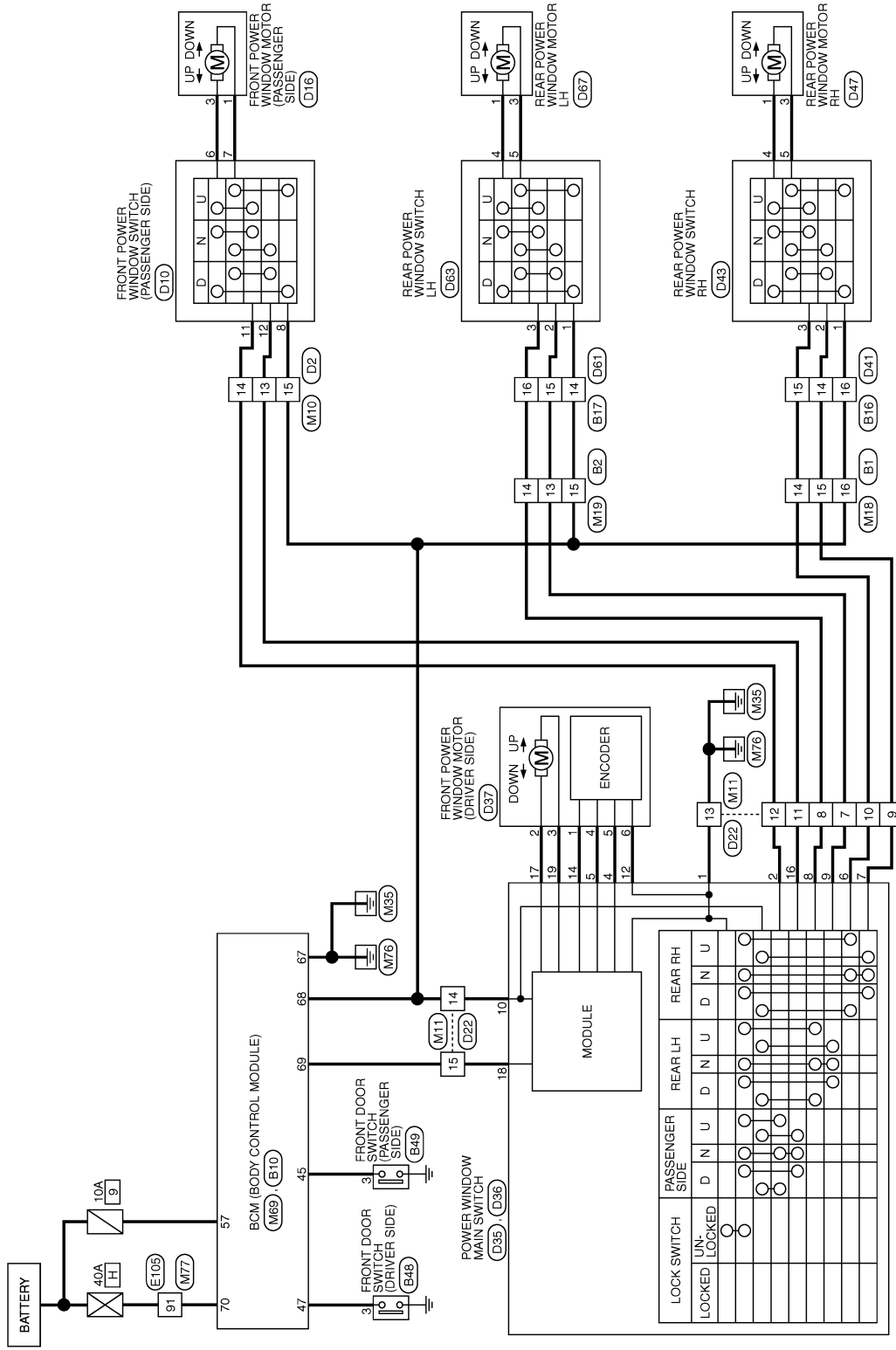
INFOID:000000007632393

For connector terminal arrangements, harness layouts, and alphabets in a  (option abbreviation; if not described in wiring diagram), refer to [GI-12, "Connector Information"](#).

POWER WINDOW SYSTEM

< WIRING DIAGRAM >

POWER WINDOW SYSTEM



2010/10/29

JCKWA3719GB

A
B
C
D
E
F
G
H
I
J
L
M
N
O
P

PWC

DIAGNOSIS AND REPAIR WORK FLOW

< BASIC INSPECTION >

BASIC INSPECTION

DIAGNOSIS AND REPAIR WORK FLOW

WorkFlow

INFOID:000000007632394

DETAILED FLOW

1.OBTAIN INFORMATION ABOUT SYMPTOM

Interview the customer to obtain the malfunction information (conditions and environment when the malfunction occurred) as much as possible when the customer brings the vehicle in.

>> GO TO 2.

2.REPRODUCE THE MALFUNCTION INFORMATION

Check the malfunction on the vehicle that the customer describes.
Inspect the relation of the symptoms and the condition when the symptoms occur.

>> GO TO 3.

3.IDENTIFY THE MALFUNCTIONING SYSTEM WITH "SYMPTOM DIAGNOSIS"

Use "Symptom diagnosis" from the symptom inspection result in step 2 and then identify where to start performing the diagnosis based on possible causes and symptoms.

>> GO TO 4.

4.IDENTIFY THE MALFUNCTIONING PARTS WITH "COMPONENT DIAGNOSIS"

Perform the diagnosis with "Component diagnosis" of the applicable system.

>> GO TO 5.

5.REPAIR OR REPLACE THE MALFUNCTIONING PARTS

Repair or replace the specified malfunctioning parts.

>> GO TO 6.

6.FINAL CHECK

Check that malfunctions are not reproduced when obtaining the malfunction information from the customer, referring to the symptom inspection result in step 2.

Are the malfunctions corrected?

YES >> INSPECTION END

NO >> GO TO 3.

ADDITIONAL SERVICE WHEN REMOVING 12V BATTERY NEGATIVE TERMINAL

< BASIC INSPECTION >

ADDITIONAL SERVICE WHEN REMOVING 12V BATTERY NEGATIVE TERMINAL

Description

INFOID:000000007632395

When the 12V battery negative terminal is disconnected, the initialization is necessary for normal operation of power window system.

CAUTION:

The following specified operations can not be performed under the non-initialized condition.

- Auto-up operation
- Anti-pinch function

Work Procedure

INFOID:000000007632396

1.SYSTEM INITIALIZATION

Perform system initialization. Refer to [PWC-23. "Work Procedure"](#).

>> GO TO 2.

2.CHECK ANTI-PINCH FUNCTION

Check anti-pinch function. Refer to [PWC-24. "Work Procedure"](#).

>> END

A
B
C
D
E
F
G
H
I
J
L
M
N
O
P

PWC

ADDITIONAL SERVICE WHEN REPLACING POWER WINDOW MAIN SWITCH

< BASIC INSPECTION >

ADDITIONAL SERVICE WHEN REPLACING POWER WINDOW MAIN SWITCH

Description

INFOID:000000007632397

When the power window main switch replaced, the initialization is necessary for normal operation of power window system.

CAUTION:

The following specified operations can not be performed under the non-initialized condition.

- Auto-up operation
- Anti-pinch function

Work Procedure

INFOID:000000007632398

1. SYSTEM INITIALIZATION

Perform system initialization. Refer to [PWC-23. "Work Procedure"](#).

>> GO TO 2.

2. CHECK ANTI-PINCH FUNCTION

Check anti-pinch function. Refer to [PWC-24. "Work Procedure"](#).

>> END

SYSTEM INITIALIZATION

< BASIC INSPECTION >

SYSTEM INITIALIZATION

Description

INFOID:000000007632399

If any of the following operations are performed, the initialization is necessary for normal operation of power window system.

- Disconnection and connection of 12V battery cable from negative terminal.
- When power window main switch replaced.
- Electric power supply to power window main switch or power window motor (driver side) is interrupted by blown fuse or disconnection and connection of the negative terminal of 12V battery, etc.
- Disconnection and connection of power window main switch harness connector.
- Removal of power window motor (driver side) from regulator assembly.
- Operation of regulator assembly as an independent unit.
- Removal and installation of glass.
- Removal and installation of door glass run.

CAUTION:

The following specified operations can not be performed under the non-initialized condition.

- **Auto-up operation**
- **Anti-pinch function**

Work Procedure

INFOID:000000007632400

1. STEP 1

1. Turn power switch ON.
2. Operate power window switch to fully open the window. (This operation is unnecessary if the window is already fully open)
3. Continue pulling the power window switch UP (AUTO-UP operation). Even after glass stops at fully closed position, keep pulling the switch for 2 seconds or more.
4. Check that AUTO-UP function operates normally.

>> GO TO 2.

2. STEP 2

Check anti-pinch function. Refer to [PWC-24. "Work Procedure"](#).

>> END

A
B
C
D
E
F
G
H
I
J
L
M
N
O
P

PWC

CHECK ANTI-PINCH FUNCTION

< BASIC INSPECTION >

CHECK ANTI-PINCH FUNCTION

Description

INFOID:000000007632401

If any of the following operations are performed, the initialization is necessary for normal operation of anti-pinch function.

- Disconnection and connection of 12V battery cable from negative terminal.
- When power window main switch replaced.
- Electric power supply to power window main switch or power window motor (driver side) is interrupted by blown fuse or disconnection and connection of the negative terminal of 12V battery, etc.
- Disconnection and connection of power window main switch harness connector.
- Removal of power window motor (driver side) from regulator assembly.
- Operation of regulator assembly as an independent unit.
- Removal and installation of glass.
- Removal and installation of door glass run.

Work Procedure

INFOID:000000007632402

1. CHECK ANTI-PINCH FUNCTION

- Fully open the door window.
- Place a piece of wood near fully closed position.
- Close door glass completely with AUTO-UP.
- Check the following conditions
 - Check that glass lowers for approximately 150 mm (5.9 in) without pinching piece of wood and stops.
 - Check that glass does not rise not when operating the power window main switch while lowering.

CAUTION:

- **Perform initial setting when AUTO-UP operation or anti-pinch function does not operate normally.**
- **Check that AUTO-UP operates before inspection when system initialization is performed.**
- **To prevent injury, do not check with hands and other body parts because they may be pinched. Do not get pinched.**

>> END

POWER SUPPLY AND GROUND CIRCUIT

< DTC/CIRCUIT DIAGNOSIS >

DTC/CIRCUIT DIAGNOSIS

POWER SUPPLY AND GROUND CIRCUIT

POWER WINDOW MAIN SWITCH

POWER WINDOW MAIN SWITCH : Diagnosis Procedure

INFOID:000000007632403

1. CHECK POWER WINDOW MAIN SWITCH POWER SUPPLY

1. Turn power switch OFF.
2. Disconnect power window main switch connector.
3. Check voltage between power window main switch harness connector and ground.

(+)		(-)	Condition		Voltage (V) (Approx.)
Power window main switch Connector	Terminal				
D35	10	Ground	Power switch	ON	9 – 16
D36	18			OFF	

Is the inspection result normal?

YES >> GO TO 3.

NO >> GO TO 2.

2. CHECK POWER WINDOW MAIN SWITCH POWER SUPPLY CIRCUIT

1. Disconnect BCM connector.
2. Check continuity between BCM harness connector and power window main switch harness connector.

BCM		Power window main switch		Continuity
Connector	Terminal	Connector	Terminal	
M69	68	D35	10	Existed
	69	D36	18	

3. Check continuity between BCM harness connector and ground.

BCM		Ground	Continuity
Connector	Terminal		
M69	68		Not existed
	69		

Is the inspection result normal?

YES >> Replace BCM. Refer to [BCS-77, "Removal and Installation"](#).

NO >> Repair or replace harness.

3. CHECK POWER WINDOW MAIN SWITCH GROUND CIRCUIT

Check continuity between power window main switch harness connector and ground.

Power window main switch		Ground	Continuity
Connector	Terminal		
D35	1		Existed

Is the inspection result normal?

YES >> INSPECTION END

NO >> Repair or replace harness.

FRONT POWER WINDOW SWITCH (PASSENGER SIDE)

POWER SUPPLY AND GROUND CIRCUIT

< DTC/CIRCUIT DIAGNOSIS >

FRONT POWER WINDOW SWITCH (PASSENGER SIDE) : Diagnosis Procedure

INFOID:000000007632404

1. CHECK FRONT POWER WINDOW SWITCH (PASSENGER SIDE) POWER SUPPLY

1. Turn power switch OFF.
2. Disconnect front power window switch (passenger side) connector.
3. Turn power switch ON.
4. Check voltage between front power window switch (passenger side) harness connector and ground.

(+)		(-)	Voltage (V) (Approx.)
Front power window switch (passenger side)			
Connector	Terminal	Ground	9 – 16
D10	8		

Is the inspection result normal?

YES >> INSPECTION END

NO >> GO TO 2.

2. CHECK FRONT POWER WINDOW SWITCH (PASSENGER SIDE) POWER SUPPLY CIRCUIT

1. Turn power switch OFF.
2. Disconnect BCM connector.
3. Check continuity between BCM harness connector and front power window switch (passenger side) harness connector.

BCM		Front power window switch (passenger side)		Continuity
Connector	Terminal	Connector	Terminal	
M69	68	D10	8	Existed

4. Check continuity between BCM harness connector and ground.

BCM		Ground	Continuity
Connector	Terminal		
M69	68		Not existed

Is the inspection result normal?

YES >> Replace BCM. Refer to [BCS-77, "Removal and Installation"](#).

NO >> Repair or replace harness.

REAR POWER WINDOW SWITCH

REAR POWER WINDOW SWITCH : Diagnosis Procedure

INFOID:000000007632405

1. CHECK REAR POWER WINDOW SWITCH POWER SUPPLY

1. Turn power switch OFF.
2. Disconnect rear power window switch connector.
3. Turn power switch ON.
4. Check voltage between rear power window switch harness connector and ground.

(+)		(-)	Voltage (V) (Approx.)
Rear power window switch			
Connector	Terminal	Ground	9 – 16
LH	D63		
RH	D43		

Is the inspection result normal?

YES >> INSPECTION END

NO >> GO TO 2.

POWER SUPPLY AND GROUND CIRCUIT

< DTC/CIRCUIT DIAGNOSIS >

2. CHECK REAR POWER WINDOW SWITCH POWER SUPPLY CIRCUIT

1. Turn power switch OFF.
2. Disconnect BCM connector.
3. Check continuity between BCM harness connector and rear power window switch harness connector.

BCM		Rear power window switch		Continuity
Connector	Terminal	Connector	Terminal	
M69	68	LH	D63	Existed
		RH	D43	

4. Check continuity between BCM harness connector and ground.

BCM		Ground	Continuity
Connector	Terminal		
M69	68		Not existed

Is the inspection result normal?

- YES >> Replace BCM. Refer to [BCS-77, "Removal and Installation"](#).
 NO >> Repair or replace harness.

A
B
C
D
E
F
G
H
I
J
L
M
N
O
P

PWC

FRONT POWER WINDOW SWITCH (PASSENGER SIDE)

< DTC/CIRCUIT DIAGNOSIS >

FRONT POWER WINDOW SWITCH (PASSENGER SIDE)

Diagnosis Procedure

INFOID:000000007632406

1. CHECK FRONT POWER WINDOW SWITCH (PASSENGER SIDE) INPUT SIGNAL

1. Turn power switch OFF.
2. Disconnect front power window switch (passenger side) connector.
3. Turn power switch ON.
4. Check voltage between front power window switch (passenger side) harness connector and ground.

(+)		(-)	Condition	Voltage (V) (Approx.)	
Connector	Terminal				
D10	11	Ground	Power window main switch (passenger side)	NEUTRAL	0 – 1
			DOWN	9 – 16	
	12		NEUTRAL	0 – 1	
			UP	9 – 16	

Is the inspection result normal?

- YES >> GO TO 3.
NO >> GO TO 2.

2. CHECK FRONT WINDOW SWITCH (PASSENGER SIDE) CIRCUIT

1. Turn power switch OFF.
2. Disconnect power window main switch connector.
3. Check continuity between power window main switch harness connector and front power window switch (passenger side) harness connector.

Power window main switch		Front power window switch (passenger side)		Continuity
Connector	Terminal	Connector	Terminal	
D35	2	D10	11	Existed
	16		12	

4. Check continuity between power window main switch harness connector and ground.

Power window main switch		Ground	Continuity
Connector	Terminal		
D35	2		Not existed
	16		

Is the inspection result normal?

- YES >> Replace power window main switch. Refer to [PWC-51, "Removal and Installation"](#).
NO >> Repair or replace harness.

3. CHECK FRONT POWER WINDOW SWITCH (PASSENGER SIDE)

Check front power window switch (passenger side).
Refer to [PWC-29, "Component Inspection"](#).

Is the inspection result normal?

- YES >> GO TO 4.
NO >> Replace front power window switch (passenger side). Refer to [PWC-51, "Removal and Installation"](#).

4. CHECK INTERMITTENT INCIDENT

Refer to [GI-51, "Intermittent Incident"](#).

>> INSPECTION END

FRONT POWER WINDOW SWITCH (PASSENGER SIDE)

< DTC/CIRCUIT DIAGNOSIS >

Component Inspection

INFOID:000000007632407

1. CHECK FRONT POWER WINDOW SWITCH (PASSENGER SIDE)

1. Turn power switch OFF.
2. Disconnect front power window switch (passenger side) connector.
3. Check front power window switch (passenger side) terminals under the following conditions.

Front power window switch (passenger side)		Condition	Continuity
Terminal			
8	7	UP	Existed
11	6		
11	6	NEUTRAL	
12	7		
8	6	DOWN	
12	7		

Is the inspection result normal?

YES >> INSPECTION END

NO >> Replace front power window switch (passenger side). Refer to [PWC-51, "Removal and Installation"](#).

A
B
C
D
E
F
G
H
I
J
L
M
N
O
P

PWC

REAR POWER WINDOW SWITCH

< DTC/CIRCUIT DIAGNOSIS >

REAR POWER WINDOW SWITCH

Diagnosis Procedure

INFOID:000000007632408

1. CHECK REAR POWER WINDOW SWITCH INPUT SIGNAL

1. Turn power switch OFF.
2. Disconnect rear power window switch connector.
3. Turn power switch ON.
4. Check voltage between rear power window switch harness connector and ground.

(+)		Terminal	(-)	Condition	Voltage (V) (Approx.)	
Rear power window switch						
Connector						
LH	D63	2	Ground	Power window main switch (rear LH)	NEUTRAL	0 – 1
		3			UP	9 – 16
3	NEUTRAL				0 – 1	
	3	DOWN			9 – 16	
RH		D43		2	Power window main switch (rear RH)	NEUTRAL
	3			UP		9 – 16
3		NEUTRAL		0 – 1		
	3	DOWN		9 – 16		

Is the inspection result normal?

- YES >> GO TO 3.
NO >> GO TO 2.

2. CHECK REAR POWER WINDOW SWITCH CIRCUIT

1. Turn power switch OFF.
2. Disconnect power window main switch connector.
3. Check continuity between power window main switch harness connector and rear power window switch harness connector.

Power window main switch		Rear power window switch			Continuity
Connector	Terminal	Connector	Terminal		
D35	9	LH	D63	2	Existed
	8			3	
	7	RH	D43	2	
	6			3	

4. Check continuity between power window main switch harness connector and ground.

Power window main switch		Ground	Continuity
Connector	Terminal		
D35	9	Ground	Not existed
	8		
	7		
	6		

Is the inspection result normal?

- YES >> Replace power window main switch. Refer to [PWC-51, "Removal and Installation"](#).
NO >> Repair or replace harness.

3. CHECK REAR POWER WINDOW SWITCH

Check rear power window switch.

REAR POWER WINDOW SWITCH

< DTC/CIRCUIT DIAGNOSIS >

Refer to [PWC-31, "Component Inspection"](#).

Is the inspection result normal?

YES >> GO TO 4.

NO >> Replace rear power window switch. Refer to [PWC-51, "Removal and Installation"](#).

4.CHECK INTERMITTENT INCIDENT

Refer to [GI-51, "Intermittent Incident"](#).

>> INSPECTION END

Component Inspection

INFOID:000000007632409

1.CHECK REAR POWER WINDOW SWITCH

1. Turn power switch OFF.
2. Disconnect rear power window switch connector.
3. Check rear power window switch terminals under the following conditions.

Rear power window switch		Condition	Continuity
Terminal			
1	5	UP	Existed
3	4		
3	4	NEUTRAL	
2	5		
1	4	DOWN	
2	5		

Is the inspection result normal?

YES >> INSPECTION END

NO >> Replace rear power window switch. Refer to [PWC-51, "Removal and Installation"](#).

PWC

POWER WINDOW MOTOR

< DTC/CIRCUIT DIAGNOSIS >

POWER WINDOW MOTOR DRIVER SIDE

DRIVER SIDE : Diagnosis Procedure

INFOID:000000007632410

1. CHECK FRONT POWER WINDOW MOTOR (DRIVER SIDE) INPUT SIGNAL

1. Turn power switch OFF.
2. Disconnect front power window motor (driver side) connector.
3. Turn power switch ON.
4. Check voltage between front power window motor (driver side) harness connector and ground.

(+)		(-)	Condition	Voltage (V) (Approx.)	
Front power window motor (driver side)					
Connector	Terminal				
D37	2	Ground	Power window main switch	NEUTRAL	0 – 1
				UP	9 – 16
	3			NEUTRAL	0 – 1
				DOWN	9 – 16

Is the inspection result normal?

- YES >> Replace front power window motor (driver side). Refer to [GW-21, "Removal and Installation"](#).
 NO >> GO TO 2.

2. CHECK FRONT POWER WINDOW MOTOR (DRIVER SIDE) CIRCUIT

1. Turn power switch OFF.
2. Disconnect power window main switch connector.
3. Check continuity between power window main switch harness connector and front power window motor (driver side) harness connector.

Power window main switch		Front power window motor (driver side)		Continuity
Connector	Terminal	Connector	Terminal	
D36	17	D37	2	Existed
	19		3	

4. Check continuity between power window main switch harness connector and ground.

Power window main switch		Ground	Continuity
Connector	Terminal		
D36	17		Not existed
	19		

Is the inspection result normal?

- YES >> INSPECTION END
 NO >> Repair or replace harness.

PASSENGER SIDE

PASSENGER SIDE : Diagnosis Procedure

INFOID:000000007632411

1. CHECK FRONT POWER WINDOW MOTOR (PASSENGER SIDE) INPUT SIGNAL

1. Turn power switch OFF.
2. Disconnect front power window motor (passenger side) connector.
3. Turn power switch ON.
4. Check voltage between front power window motor (passenger side) harness connector and ground.

POWER WINDOW MOTOR

< DTC/CIRCUIT DIAGNOSIS >

(+)		(-)	Condition	Voltage (V) (Approx.)	
Front power window motor (passenger side)					
Connector	Terminal				
D16	1	Ground	Front power window switch (passenger side)	NEUTRAL	0 – 1
			UP	9 – 16	
	3		NEUTRAL	0 – 1	
			DOWN	9 – 16	

Is the inspection result normal?

- YES >> Replace front power window motor (passenger side). Refer to [GW-21, "Removal and Installation"](#).
 NO >> GO TO 2.

2. CHECK FRONT POWER WINDOW MOTOR (PASSENGER SIDE) CIRCUIT

- Turn power switch OFF.
- Disconnect front power window switch (passenger side) connector.
- Check continuity between front power window switch (passenger side) harness connector and front power window motor (passenger side) harness connector.

Front power window switch (passenger side)		Front power window motor (passenger side)		Continuity
Connector	Terminal	Connector	Terminal	
D10	6	D16	3	Existed
	7		1	

- Check continuity between front power window switch (passenger side) harness connector and ground.

Front power window switch (passenger side)		Ground	Continuity
Connector	Terminal		
D10	6		Not existed
	7		

Is the inspection result normal?

- YES >> INSPECTION END
 NO >> Repair or replace harness.

REAR LH

REAR LH : Diagnosis Procedure

INFOID:000000007632412

1. CHECK REAR POWER WINDOW MOTOR LH INPUT SIGNAL

- Turn power switch OFF.
- Disconnect rear power window motor LH connector.
- Turn power switch ON.
- Check voltage between rear power window motor LH harness connector and ground.

(+)		(-)	Condition	Voltage (V) (Approx.)	
Rear power window motor LH					
Connector	Terminal				
D67	1	Ground	Rear power window switch LH	NEUTRAL	0 – 1
			DOWN	9 – 16	
	3		NEUTRAL	0 – 1	
			UP	9 – 16	

Is the inspection result normal?

- YES >> Replace rear power window motor LH. Refer to [GW-21, "Removal and Installation"](#).
 NO >> GO TO 2.

POWER WINDOW MOTOR

< DTC/CIRCUIT DIAGNOSIS >

2.CHECK REAR POWER WINDOW MOTOR LH CIRCUIT

1. Turn power switch OFF.
2. Disconnect rear power window switch LH connector.
3. Check continuity between rear power window switch LH harness connector and rear power window motor LH harness connector.

Rear power window switch LH		Rear power window motor LH		Continuity
Connector	Terminal	Connector	Terminal	
D63	4	D67	1	Existed
	5		3	

4. Check continuity between rear power window switch LH connector and ground.

Rear power window switch LH		Ground	Continuity
Connector	Terminal		
D63	4		Not existed
	5		

Is the inspection result normal?

- YES >> INSPECTION END
 NO >> Repair or replace harness.

REAR RH

REAR RH : Diagnosis Procedure

INFOID:000000007632413

1.CHECK REAR POWER WINDOW MOTOR RH INPUT SIGNAL

1. Turn power switch OFF.
2. Disconnect rear power window motor RH connector.
3. Turn power switch ON.
4. Check voltage between rear power window motor RH harness connector and ground.

(+)		(-)	Condition	Voltage (V) (Approx.)
Connector	Terminal			
D47	1	Ground	NEUTRAL	0 – 1
			DOWN	9 – 16
	3		NEUTRAL	0 – 1
			UP	9 – 16

Is the inspection result normal?

- YES >> Replace rear power window motor RH. Refer to [GW-25, "Removal and Installation"](#).
 NO >> GO TO 2.

2.CHECK REAR POWER WINDOW MOTOR RH CIRCUIT

1. Turn power switch OFF.
2. Disconnect rear power window switch RH connector.
3. Check continuity between rear power window switch RH harness connector and rear power window motor RH harness connector.

Rear power window switch RH		Rear power window motor RH		Continuity
Connector	Terminal	Connector	Terminal	
D43	4	D47	1	Existed
	5		3	

4. Check continuity between rear power window switch RH harness connector and ground.

POWER WINDOW MOTOR

< DTC/CIRCUIT DIAGNOSIS >

Rear power window switch RH		Ground	Continuity
Connector	Terminal		
D43	4		Not existed
	5		

Is the inspection result normal?

- YES >> INSPECTION END
- NO >> Repair or replace harness.

A
B
C
D
E
F
G
H
I
J
L
M
N
O
P

PWC

ENCODER CIRCUIT

< DTC/CIRCUIT DIAGNOSIS >

ENCODER CIRCUIT

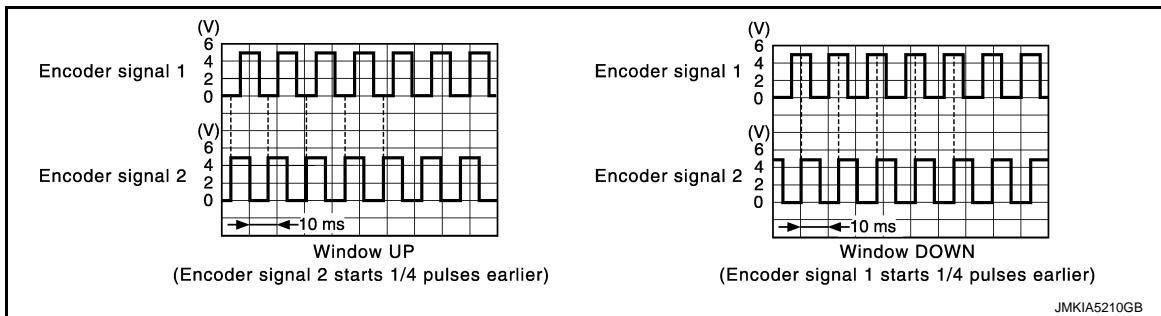
Diagnosis Procedure

INFOID:000000007632414

1. CHECK ENCODER PULSE SIGNAL

1. Turn power switch ON.
2. Check signal between power window main switch harness connector and ground with oscilloscope.

(+)		(-)	Signal (Reference value)
Power window main switch			
Connector	Terminal	Ground	Refer to following signal
D35	4		
	5		



Is the inspection result normal?

- YES >> GO TO 7.
NO >> GO TO 2.

2. CHECK ENCODER SIGNAL CIRCUIT

1. Turn power switch OFF.
2. Disconnect power window main switch connector and front power window motor (driver side) connector.
3. Check continuity between power window main switch harness connector and front power window motor (driver side) harness connector.

Power window main switch		Front power window motor (driver side)		Continuity
Connector	Terminal	Connector	Terminal	
D35	4	D37	5	Existed
	5		4	

4. Check continuity between power window main switch harness connector and ground.

Power window main switch		Ground	Continuity
Connector	Terminal		
D35	4	Ground	Not existed
	5		

Is the inspection result normal?

- YES >> GO TO 3.
NO >> Repair or replace harness.

3. CHECK ENCODER POWER SUPPLY

1. Connect power window main switch connector.
2. Turn power switch ON.
3. Check voltage between front power window motor (driver side) harness connector and ground.

ENCODER CIRCUIT

< DTC/CIRCUIT DIAGNOSIS >

(+)		(-)	Voltage (V) (Approx.)
Front power window motor (driver side)			
Connector	Terminal	Ground	9 – 16
D37	1		

Is the inspection result normal?

YES >> GO TO 5.

NO >> GO TO 4.

4. CHECK ENCODER POWER SUPPLY CIRCUIT

- Turn power switch OFF.
- Disconnect power window main switch connector.
- Check continuity between power window main switch harness connector and front power window motor (driver side) harness connector.

Power window main switch		Front power window motor (driver side)		Continuity
Connector	Terminal	Connector	Terminal	
D35	14	D37	1	Existed

- Check continuity between power window main switch harness connector and ground.

Power window main switch		Ground	Continuity
Connector	Terminal		
D35	14		Not existed

Is the inspection result normal?

YES >> Replace power window main switch.

NO >> Repair or replace harness.

5. CHECK ENCODER GROUND CIRCUIT

- Turn power switch OFF.
- Check continuity between front power window motor (driver side) harness connector and ground.

Front power window motor (driver side)		Ground	Continuity
Connector	Terminal		
D37	6		Existed

Is the inspection result normal?

YES >> GO TO 7.

NO >> GO TO 6.

6. CHECK ENCODER GROUND CIRCUIT

- Disconnect power window main switch connector.
- Check continuity between power window main switch harness connector and front power window motor (driver side) harness connector.

Power window main switch		Front power window motor (driver side)		Continuity
Connector	Terminal	Connector	Terminal	
D35	12	D37	6	Existed

- Check continuity between power window main switch harness connector and ground.

Power window main switch		Ground	Continuity
Connector	Terminal		
D35	12		Not existed

Is the inspection result normal?

YES >> Replace front power window motor (driver side).

A
B
C
D
E
F
G
H
I
J
L
M
N
O
P

PWC

ENCODER CIRCUIT

< DTC/CIRCUIT DIAGNOSIS >

NO >> Repair or replace harness.

7.CHECK INTERMITTENT INCIDENT

Refer to [GI-51, "Intermittent Incident"](#).

>> INSPECTION END

POWER WINDOWS DO NOT OPERATE WITH POWER WINDOW MAIN SWITCH

< SYMPTOM DIAGNOSIS >

SYMPTOM DIAGNOSIS

POWER WINDOWS DO NOT OPERATE WITH POWER WINDOW MAIN SWITCH

Diagnosis Procedure

INFOID:000000007632415

1. CHECK BCM POWER SUPPLY AND GROUND CIRCUIT

Check BCM power supply and ground circuit.

Refer to [BCS-71, "Diagnosis Procedure"](#).

Is the inspection result normal?

YES >> GO TO 2.

NO >> Repair or replace the malfunctioning parts.

2. CHECK POWER WINDOW MAIN SWITCH POWER SUPPLY AND GROUND CIRCUIT

Check power window main switch power supply and ground circuit.

Refer to [PWC-25, "POWER WINDOW MAIN SWITCH : Diagnosis Procedure"](#).

Is the inspection result normal?

YES >> GO TO 3.

NO >> Repair or replace the malfunctioning parts.

3. REPLACE POWER WINDOW MAIN SWITCH

- Replace power window main switch.
- Confirm the operation after replacement.

Is the result normal?

YES >> INSPECTION END

NO >> Check intermittent incident. Refer to [GI-51, "Intermittent Incident"](#).

A
B
C
D
E
F
G
H
I
J
L
M
N
O
P

PWC

DRIVER SIDE POWER WINDOW DOES NOT OPERATE

< SYMPTOM DIAGNOSIS >

DRIVER SIDE POWER WINDOW DOES NOT OPERATE

Diagnosis Procedure

INFOID:000000007632416

1. CHECK FRONT POWER WINDOW MOTOR (DRIVER SIDE)

Check front power window motor (driver side).

Refer to [PWC-32, "DRIVER SIDE : Diagnosis Procedure"](#).

Is the inspection result normal?

YES >> GO TO 2.

NO >> Repair or replace the malfunctioning parts.

2. REPLACE POWER WINDOW MAIN SWITCH

- Replace power window main switch.
- Confirm the operation after replacement.

Is the result normal?

YES >> INSPECTION END

NO >> Check intermittent incident. Refer to [GI-51, "Intermittent Incident"](#).

FRONT PASSENGER SIDE POWER WINDOW DOES NOT OPERATE

< SYMPTOM DIAGNOSIS >

FRONT PASSENGER SIDE POWER WINDOW DOES NOT OPERATE WHEN BOTH POWER WINDOW MAIN SWITCH AND FRONT POWER WINDOW SWITCH ARE OPERATED

WHEN BOTH POWER WINDOW MAIN SWITCH AND FRONT POWER WINDOW
SWITCH ARE OPERATED : Diagnosis Procedure

INFOID:000000007632417

1. CHECK FRONT POWER WINDOW SWITCH (PASSENGER SIDE)

Check front power window switch (passenger side).
Refer to [PWC-28, "Diagnosis Procedure"](#).

Is the inspection result normal?

YES >> GO TO 2.

NO >> Repair or replace the malfunctioning parts.

2. CHECK FRONT POWER WINDOW MOTOR (PASSENGER SIDE)

Check front power window motor (passenger side).
Refer to [PWC-32, "PASSENGER SIDE : Diagnosis Procedure"](#).

Is the inspection result normal?

YES >> GO TO 3.

NO >> Repair or replace the malfunctioning parts.

3. REPLACE POWER WINDOW MAIN SWITCH

- Replace power window main switch.
- Confirm the operation after replacement.

Is the result normal?

YES >> INSPECTION END

NO >> Check intermittent incident. Refer to [GI-51, "Intermittent Incident"](#).

WHEN FRONT POWER WINDOW SWITCH (PASSENGER SIDE) IS OPERATED

WHEN FRONT POWER WINDOW SWITCH (PASSENGER SIDE) IS OPERATED :
Diagnosis Procedure

INFOID:000000007632418

1. CHECK FRONT POWER WINDOW SWITCH (PASSENGER SIDE) POWER SUPPLY AND GROUND CIR- CUIT

Check front power window switch (passenger side) power supply and ground circuit.
Refer to [PWC-26, "FRONT POWER WINDOW SWITCH \(PASSENGER SIDE\) : Diagnosis Procedure"](#).

Is the inspection result normal?

YES >> GO TO 2.

NO >> Repair or replace the malfunctioning parts.

2. CHECK FRONT POWER WINDOW SWITCH (PASSENGER SIDE)

Check front power window switch (passenger side).
Refer to [PWC-28, "Diagnosis Procedure"](#).

Is the inspection result normal?

YES >> GO TO 3.

NO >> Repair or replace the malfunctioning parts.

3. REPLACE POWER WINDOW MAIN SWITCH

- Replace power window main switch.
- Confirm the operation after replacement.

Is the result normal?

YES >> INSPECTION END

NO >> Check intermittent incident. Refer to [GI-51, "Intermittent Incident"](#).

WHEN POWER WINDOW MAIN SWITCH IS OPERATED

A
B
C
D
E
F
G
H
I
J
L
M
N
O
P

PWC

FRONT PASSENGER SIDE POWER WINDOW DOES NOT OPERATE

< SYMPTOM DIAGNOSIS >

WHEN POWER WINDOW MAIN SWITCH IS OPERATED : Diagnosis Procedure

INFOID:000000007632419

1. CHECK FRONT POWER WINDOW SWITCH (PASSENGER SIDE)

Check front power window switch (passenger side).

Refer to [PWC-28. "Diagnosis Procedure"](#).

Is the inspection result normal?

YES >> GO TO 2.

NO >> Repair or replace the malfunctioning parts.

2. REPLACE POWER WINDOW MAIN SWITCH

- Replace power window main switch.
- Confirm the operation after replacement.

Is the result normal?

YES >> INSPECTION END

NO >> Check intermittent incident. Refer to [GI-51. "Intermittent Incident"](#).

REAR LH SIDE POWER WINDOW DOES NOT OPERATE

< SYMPTOM DIAGNOSIS >

REAR LH SIDE POWER WINDOW DOES NOT OPERATE

WHEN BOTH POWER WINDOW MAIN SWITCH AND REAR POWER WINDOW SWITCH LH ARE OPERATED

WHEN BOTH POWER WINDOW MAIN SWITCH AND REAR POWER WINDOW SWITCH LH ARE OPERATED : Diagnosis Procedure

INFOID:000000007632420

1.CHECK REAR POWER WINDOW SWITCH LH

Check rear power window switch LH.

Refer to [PWC-30, "Diagnosis Procedure"](#).

Is the inspection result normal?

YES >> GO TO 2.

NO >> Repair or replace the malfunctioning parts.

2.CHECK REAR POWER WINDOW MOTOR LH

Check rear power window motor LH.

Refer to [PWC-33, "REAR LH : Diagnosis Procedure"](#).

Is the inspection result normal?

YES >> GO TO 3.

NO >> Repair or replace the malfunctioning parts.

3.REPLACE POWER WINDOW MAIN SWITCH

- Replace power window main switch.
- Confirm the operation after replacement.

Is the result normal?

YES >> INSPECTION END

NO >> Check intermittent incident. Refer to [GI-51, "Intermittent Incident"](#).

WHEN REAR POWER WINDOW SWITCH LH IS OPERATED

WHEN REAR POWER WINDOW SWITCH LH IS OPERATED : Diagnosis Procedure

INFOID:000000007632421

1.CHECK REAR POWER WINDOW SWITCH LH POWER SUPPLY AND GROUND CIRCUIT

Check rear power window switch LH power supply and ground circuit.

Refer to [PWC-26, "REAR POWER WINDOW SWITCH : Diagnosis Procedure"](#).

Is the inspection result normal?

YES >> GO TO 2.

NO >> Repair or replace the malfunctioning parts.

2.CHECK REAR POWER WINDOW SWITCH LH

Check rear power window switch LH.

Refer to [PWC-30, "Diagnosis Procedure"](#).

Is the inspection result normal?

YES >> GO TO 3.

NO >> Repair or replace the malfunctioning parts.

3.REPLACE POWER WINDOW MAIN SWITCH

- Replace power window main switch.
- Confirm the operation after replacement.

Is the result normal?

YES >> INSPECTION END

NO >> Check intermittent incident. Refer to [GI-51, "Intermittent Incident"](#).

WHEN POWER WINDOW MAIN SWITCH IS OPERATED

A

B

C

D

E

F

G

H

I

J

PWC

L

M

N

O

P

REAR LH SIDE POWER WINDOW DOES NOT OPERATE

< SYMPTOM DIAGNOSIS >

WHEN POWER WINDOW MAIN SWITCH IS OPERATED : Diagnosis Procedure

INFOID:000000007632422

1. CHECK REAR POWER WINDOW SWITCH LH

Check rear power window switch LH.

Refer to [PWC-30. "Diagnosis Procedure"](#).

Is the inspection result normal?

YES >> GO TO 2.

NO >> Repair or replace the malfunctioning parts.

2. REPLACE POWER WINDOW MAIN SWITCH

- Replace power window main switch.
- Confirm the operation after replacement.

Is the result normal?

YES >> INSPECTION END

NO >> Check intermittent incident. Refer to [GI-51. "Intermittent Incident"](#).

REAR RH SIDE POWER WINDOW DOES NOT OPERATE

< SYMPTOM DIAGNOSIS >

REAR RH SIDE POWER WINDOW DOES NOT OPERATE
WHEN BOTH POWER WINDOW MAIN SWITCH AND REAR POWER WINDOW SWITCH RH ARE OPERATED

WHEN BOTH POWER WINDOW MAIN SWITCH AND REAR POWER WINDOW SWITCH RH ARE OPERATED : Diagnosis Procedure

INFOID:000000007632423

1.CHECK REAR POWER WINDOW SWITCH RH

Check rear power window switch RH.
Refer to [PWC-30, "Diagnosis Procedure"](#).

Is the inspection result normal?

- YES >> GO TO 2.
- NO >> Repair or replace the malfunctioning parts.

2.CHECK REAR POWER WINDOW MOTOR RH

Check rear power window motor RH.
Refer to [PWC-34, "REAR RH : Diagnosis Procedure"](#).

Is the inspection result normal?

- YES >> GO TO 3.
- NO >> Repair or replace the malfunctioning parts.

3.REPLACE POWER WINDOW MAIN SWITCH

- Replace power window main switch.
- Confirm the operation after replacement.

Is the result normal?

- YES >> INSPECTION END
- NO >> Check intermittent incident. Refer to [GI-51, "Intermittent Incident"](#).

WHEN REAR POWER WINDOW SWITCH RH IS OPERATED

WHEN REAR POWER WINDOW SWITCH RH IS OPERATED : Diagnosis Procedure

INFOID:000000007632424

1.CHECK REAR POWER WINDOW SWITCH RH POWER SUPPLY AND GROUND CIRCUIT

Check rear power window switch RH power supply and ground circuit.
Refer to [PWC-26, "REAR POWER WINDOW SWITCH : Diagnosis Procedure"](#).

Is the inspection result normal?

- YES >> GO TO 2.
- NO >> Repair or replace the malfunctioning parts.

2.CHECK REAR POWER WINDOW SWITCH RH

Check rear power window switch RH.
Refer to [PWC-30, "Diagnosis Procedure"](#).

Is the inspection result normal?

- YES >> GO TO 3.
- NO >> Repair or replace the malfunctioning parts.

3.REPLACE POWER WINDOW MAIN SWITCH

- Replace power window main switch.
- Confirm the operation after replacement.

Is the result normal?

- YES >> INSPECTION END
- NO >> Check intermittent incident. Refer to [GI-51, "Intermittent Incident"](#).

WHEN POWER WINDOW MAIN SWITCH IS OPERATED

A
B
C
D
E
F
G
H
I
J
L
M
N
O
P

PWC

REAR RH SIDE POWER WINDOW DOES NOT OPERATE

< SYMPTOM DIAGNOSIS >

WHEN POWER WINDOW MAIN SWITCH IS OPERATED : Diagnosis Procedure

INFOID:000000007632425

1. CHECK REAR POWER WINDOW SWITCH RH

Check rear power window switch RH.

Refer to [PWC-30. "Diagnosis Procedure"](#).

Is the inspection result normal?

YES >> GO TO 2.

NO >> Repair or replace the malfunctioning parts.

2. REPLACE POWER WINDOW MAIN SWITCH

- Replace power window main switch.
- Confirm the operation after replacement.

Is the result normal?

YES >> INSPECTION END

NO >> Check intermittent incident. Refer to [GI-51. "Intermittent Incident"](#).

AUTO OPERATION DOES NOT OPERATE BUT MANUAL OPERATE NORMALLY (DRIVER SIDE)

< SYMPTOM DIAGNOSIS >

AUTO OPERATION DOES NOT OPERATE BUT MANUAL OPERATE NORMALLY (DRIVER SIDE)

Diagnosis Procedure

INFOID:000000007632426

1.PERFORM INITIALIZATION PROCEDURE

Initialization procedure is executed and operation is confirmed.

Refer to [PWC-23, "Work Procedure"](#).

Is the inspection result normal?

YES >> INSPECTION END

NO >> GO TO 2.

2.CHECK ENCODER CIRCUIT

Check encoder circuit.

Refer to [PWC-36, "Diagnosis Procedure"](#).

Is the inspection result normal?

YES >> GO TO 3.

NO >> Repair or replace the malfunctioning parts.

3.REPLACE POWER WINDOW MAIN SWITCH

- Replace power window main switch.
- Confirm the operation after replacement.

Is the result normal?

YES >> INSPECTION END

NO >> Check intermittent incident. Refer to [GI-51, "Intermittent Incident"](#).

A
B
C
D
E
F
G
H
I
J
L
M
N
O
P

PWC

ANTI-PINCH SYSTEM DOES NOT OPERATE NORMALLY (DRIVER SIDE)

< SYMPTOM DIAGNOSIS >

ANTI-PINCH SYSTEM DOES NOT OPERATE NORMALLY (DRIVER SIDE)

Diagnosis Procedure

INFOID:000000007632427

1. CHECK POWER WINDOW AUTO OPERATION

Check AUTO operation when anti-pinch function does not operate.
Refer to [PWC-47, "Diagnosis Procedure"](#).

Is the inspection result normal?

- YES >> INSPECTION END
- NO >> GO TO 2.

2. REPLACE POWER WINDOW MAIN SWITCH

- Replace power window main switch.
- Confirm the operation after replacement.

Is the result normal?

- YES >> INSPECTION END
- NO >> Check intermittent incident. Refer to [GI-51, "Intermittent Incident"](#).

POWER WINDOW LOCK SWITCH DOES NOT FUNCTION

< SYMPTOM DIAGNOSIS >

POWER WINDOW LOCK SWITCH DOES NOT FUNCTION

Diagnosis Procedure

INFOID:000000007632428

1. REPLACE POWER WINDOW MAIN SWITCH

- Replace power window main switch.
- Confirm the operation after replacement.

Is the result normal?

YES >> INSPECTION END

NO >> Check intermittent incident. Refer to [GI-51. "Intermittent Incident"](#).

A
B
C
D
E
F
G
H
I
J
L
M
N
O
P

PWC

POWER WINDOW RETAINED POWER OPERATION DOES NOT OPERATE PROPERLY

< SYMPTOM DIAGNOSIS >

POWER WINDOW RETAINED POWER OPERATION DOES NOT OPERATE PROPERLY

Diagnosis Procedure

INFOID:000000007632429

1. CHECK FRONT DOOR SWITCH

Check front door switch.

Refer to [DLK-87, "Component Function Check"](#).

Is the inspection result normal?

YES >> GO TO 2.

NO >> Repair or replace the malfunctioning parts.

2. REPLACE BCM

-
- Replace BCM. Refer to [BCS-77, "Removal and Installation"](#).
 - Confirm the operation after replacement.

Is the result normal?

YES >> INSPECTION END

NO >> Check intermittent incident. Refer to [GI-51, "Intermittent Incident"](#).

POWER WINDOW MAIN SWITCH

< REMOVAL AND INSTALLATION >

REMOVAL AND INSTALLATION


POWER WINDOW MAIN SWITCH

Removal and Installation

INFOID:000000007632430

REMOVAL

1. Remove power window main switch finisher. Refer to [INT-14, "Removal and Installation"](#).
2. Remove power window main switch (1) from power window main switch finisher (2) using flat-head screw driver (A).

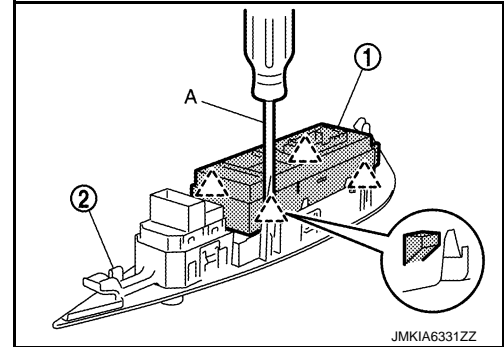
 : Pawl

CAUTION:

Do not fold the pawl of power window main switch finisher.

NOTE:

The same procedure is also performed for front power window switch (passenger side) and rear power window switch (LH & RH).



INSTALLATION

Install in the reverse order of removal.

NOTE:

If power window main switch is replaced or is removed, it is necessary to perform the initialization procedure. Refer to [PWC-23, "Work Procedure"](#).

A
B
C
D
E
F
G
H
I
J
L
M
N
O
P

PWC