

SECTION **SE**
SEAT

A
B
C
D
E
F
G
H
I
SE
K
L
M
N
O
P

CONTENTS

PRECAUTION	3	HEATED SEAT SYSTEM	11
PRECAUTIONS	3	Wiring Diagram	11
Precaution for Technicians Using Medical Electric.....	3	SYMPTOM DIAGNOSIS	13
Point to Be Checked Before Starting Maintenance		SQUEAK AND RATTLE TROUBLE DIAG-	
Work	3	NOSES	13
Precaution for Supplemental Restraint System		Work Flow	13
(SRS) "AIR BAG" and "SEAT BELT PRE-TEN-		Inspection Procedure	15
SIONER"	3	Diagnostic Worksheet	17
Precautions for Removing Battery Terminal	4	REMOVAL AND INSTALLATION	19
Service Notice	5	FRONT SEAT	19
Precaution for Work	5	Exploded View	19
PREPARATION	6	Removal and Installation	22
PREPARATION	6	SEATBACK	23
Special Service Tool	6	SEATBACK : Disassembly and Assembly	23
Commercial Service Tool	6	SEAT CUSHION	26
CLIP LIST	7	SEAT CUSHION : Disassembly and Assembly	26
Clip List	7	REAR SEAT	29
SYSTEM DESCRIPTION	8	Exploded View	29
COMPONENT PARTS	8	SEATBACK	30
HEATED SEAT SYSTEM	8	SEATBACK : Removal and Installation	30
HEATED SEAT SYSTEM : Component Parts Lo-		SEATBACK : Disassembly and Assembly	31
cation	8	SEAT CUSHION	35
HEATED SEAT SYSTEM : Front Heated Seat		SEAT CUSHION : Removal and Installation	35
Switch	9	SEAT CUSHION : Disassembly and Assembly	36
HEATED SEAT SYSTEM : Front Seat Heater	9	SEATBACK HINGE	36
HEATED SEAT SYSTEM : Heated Seat Relay	9	SEATBACK HINGE : Removal and Installation	36
HEATED SEAT SYSTEM : Rear Heated Seat Re-		SEATBACK STRIKER	37
lay	9	SEATBACK STRIKER : Removal and Installation...	37
HEATED SEAT SYSTEM : Rear Seat Heater	9	HEATED SEAT SWITCH	39
SYSTEM	10	FRONT	39
HEATED SEAT SYSTEM	10	FRONT : Removal and Installation	39
HEATED SEAT SYSTEM : System Description	10		
WIRING DIAGRAM	11		

PRECAUTIONS

< PRECAUTION >

PRECAUTION

PRECAUTIONS

Precaution for Technicians Using Medical Electric

INFOID:000000007633473

OPERATION PROHIBITION

WARNING:

- Parts with strong magnet is used in this vehicle.
- Technicians using a medical electric device such as pacemaker must never perform operation on the vehicle, as magnetic field can affect the device function by approaching to such parts.

NORMAL CHARGE PRECAUTION

WARNING:

- If a technician uses a medical electric device such as an implantable cardiac pacemaker or an implantable cardioverter defibrillator, the possible effects on the devices must be checked with the device manufacturer before starting the charge operation.
- As radiated electromagnetic wave generated by on board charger at normal charge operation may effect medical electric devices, a technician using a medical electric device such as implantable cardiac pacemaker or an implantable cardioverter defibrillator must not enter the vehicle compartment (including luggage room) during normal charge operation.

PRECAUTION AT TELEMATICS SYSTEM OPERATION

WARNING:

- If a technician uses implantable cardiac pacemaker or implantable cardioverter defibrillator (ICD), avoid the device implanted part from approaching within approximately 220 mm (8.66 in) from interior/exterior antenna.
- The electromagnetic wave of TCU might affect the function of the implantable cardiac pacemaker or the implantable cardioverter defibrillator (ICD), when using the service, etc.
- If a technician uses other medical electric devices than implantable cardiac pacemaker or implantable cardioverter defibrillator (ICD), the electromagnetic wave of TCU might affect the function of the device. The possible effects on the devices must be checked with the device manufacturer before TCU use.

PRECAUTION AT INTELLIGENT KEY SYSTEM OPERATION

WARNING:

- If a technician uses implantable cardiac pacemaker or implantable cardioverter defibrillator (ICD), avoid the device implanted part from approaching within approximately 220 mm (8.66 in) from interior/exterior antenna.
- The electromagnetic wave of Intelligent Key might affect the function of the implantable cardiac pacemaker or the implantable cardioverter defibrillator (ICD), at door operation, at each request switch operation, or at engine starting.
- If a technician uses other medical electric devices than implantable cardiac pacemaker or implantable cardioverter defibrillator (ICD), the electromagnetic wave of Intelligent Key might affect the function of the device. The possible effects on the devices must be checked with the device manufacturer before Intelligent Key use.

Point to Be Checked Before Starting Maintenance Work

INFOID:000000007633474

The high voltage system may starts automatically. It is required to check that the timer air conditioner and timer charge (during EVSE connection) are not set before starting maintenance work.

NOTE:

If the timer air conditioner or timer charge (during EVSE connection) is set, the high voltage system starts automatically even when the power switch is in OFF state.

Precaution for Supplemental Restraint System (SRS) "AIR BAG" and "SEAT BELT PRE-TENSIONER"

INFOID:000000007633475

The Supplemental Restraint System such as "AIR BAG" and "SEAT BELT PRE-TENSIONER", used along with a front seat belt, helps to reduce the risk or severity of injury to the driver and front passenger for certain types of collision. This system includes seat belt switch inputs and dual stage front air bag modules. The SRS

PRECAUTIONS

< PRECAUTION >

system uses the seat belt switches to determine the front air bag deployment, and may only deploy one front air bag, depending on the severity of a collision and whether the front occupants are belted or unbelted. Information necessary to service the system safely is included in the “SRS AIR BAG” and “SEAT BELT” of this Service Manual.

WARNING:

Always observe the following items for preventing accidental activation.

- To avoid rendering the SRS inoperative, which could increase the risk of personal injury or death in the event of a collision that would result in air bag inflation, all maintenance must be performed by an authorized NISSAN/INFINITI dealer.
- Improper maintenance, including incorrect removal and installation of the SRS, can lead to personal injury caused by unintentional activation of the system. For removal of Spiral Cable and Air Bag Module, see “SRS AIR BAG”.
- Never use electrical test equipment on any circuit related to the SRS unless instructed to in this Service Manual. SRS wiring harnesses can be identified by yellow and/or orange harnesses or harness connectors.

PRECAUTIONS WHEN USING POWER TOOLS (AIR OR ELECTRIC) AND HAMMERS

WARNING:

Always observe the following items for preventing accidental activation.

- When working near the Air Bag Diagnosis Sensor Unit or other Air Bag System sensors with the power switch ON, never use air or electric power tools or strike near the sensor(s) with a hammer. Heavy vibration could activate the sensor(s) and deploy the air bag(s), possibly causing serious injury.
- When using air or electric power tools or hammers, always switch the power switch OFF, disconnect the 12V battery, and wait at least 3 minutes before performing any service.

Precautions for Removing Battery Terminal

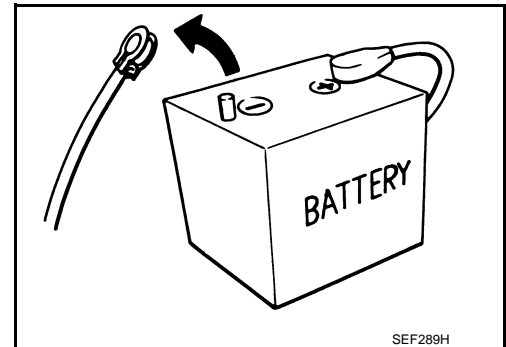
INFOID:000000007633476

- When removing the 12V battery terminal, turn OFF the power switch and wait at least 5 minutes.

NOTE:

ECU may be active for several minutes after the power switch is turned OFF. If the battery terminal is removed before ECU stops, then a DTC detection error or ECU data corruption may occur.

- Always disconnect the battery terminal within 60 minutes after turning OFF the power switch. Even when the power switch is OFF, the 12V battery automatic charge control may automatically start after a lapse of 60 minutes from power switch OFF.
- Disconnect 12V battery terminal according to the following steps.



WORK PROCEDURE

1. Check that EVSE is not connected.

NOTE:

If EVSE is connected, the air conditioning system may be automatically activated by the timer A/C function.

2. Turn the power switch OFF → ON → OFF. Get out of the vehicle. Close all doors (including back door).
3. Check that the charge status indicator lamp does not blink and wait for 5 minutes or more.

NOTE:

If the battery is removed within 5 minutes after the power switch is turned OFF, plural DTCs may be detected.

4. Remove 12V battery terminal within 60 minutes after turning the power switch OFF → ON → OFF.

CAUTION:

- After all doors (including back door) are closed, if a door (including back door) is opened before battery terminals are disconnected, start over from Step 1.
- After turning the power switch OFF, if “Remote A/C” is activated by user operation, stop the air conditioner and start over from Step 1.

NOTE:

Once the power switch is turned ON → OFF, the 12V battery automatic charge control does not start for approximately 1 hour.

PRECAUTIONS

< PRECAUTION >

- For vehicles with the 2-batteries, be sure to connect the main battery and the sub battery before turning ON the power switch.
NOTE:
If the power switch is turned ON with any one of the terminals of main battery and sub battery disconnected, then DTC may be detected.
- After installing the 12V battery, always check "Self Diagnosis Result" of all ECUs and erase DTC.
NOTE:
The removal of 12V battery may cause a DTC detection error.

Service Notice

INFOID:000000007633477

- When removing or installing various parts, place a cloth or padding onto the vehicle body to prevent scratches.
- Handle trim, molding, instruments, grille, etc. carefully during removing or installing. Be careful not to oil or damage them.
- Apply sealing compound where necessary when installing parts.
- When applying sealing compound, be careful that the sealing compound does not protrude from parts.
- When replacing any metal parts (for example body outer panel, members, etc.), be sure to take rust prevention measures.

Precaution for Work

INFOID:000000007633478

- When removing or disassembling each component, be careful not to damage or deform it. If a component may be subject to interference, be sure to protect it with a shop cloth.
- When removing (disengaging) components with a screwdriver or similar tool, be sure to wrap the component with a shop cloth or vinyl tape to protect it.
- Protect the removed parts with a shop cloth and keep them.
- Replace a deformed or damaged clip.
- If a part is specified as a non-reusable part, always replace it with new one.
- Be sure to tighten bolts and nuts securely to the specified torque.
- After re-installation is completed, be sure to check that each part works normally.
- Follow the steps below to clean components.
 - Water soluble foul: Dip a soft cloth into lukewarm water, and wring the water out of the cloth to wipe the fouled area.
Then rub with a soft and dry cloth.
 - Oily foul: Dip a soft cloth into lukewarm water with mild detergent (concentration: within 2 to 3%), and wipe the fouled area.
Then dip a cloth into fresh water, and wring the water out of the cloth to wipe the detergent off. Then rub with a soft and dry cloth.
- Never use organic solvent such as thinner, benzene, alcohol, and gasoline.
- For genuine leather seats, use a genuine leather cleaner.
- When checking SRS air bag and seat belt pre-tensioner circuits or the components of each system, never use an electric tester such as a circuit tester. (This is to prevent accidental triggering caused by the weak electric of a tester.)
- Never solder the harness of side air bag for repairs. Make sure that harness is not pinched and there is no contact with other components.
- Never insert foreign materials, such as a screwdriver, into air bag module connector. (This is to prevent accidental activation caused by static electricity.)
- Place air bag module as a unit with side air bag deployment surface facing upward (stud bolts facing downward). (This is to prevent accidental deployment.)
- Never disassemble and check inflator. side air bag module must never be disassembled.

PREPARATION

< PREPARATION >

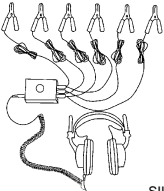
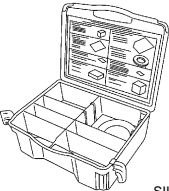
PREPARATION

PREPARATION

Special Service Tool

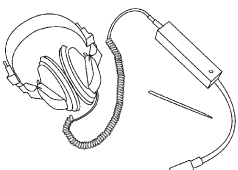
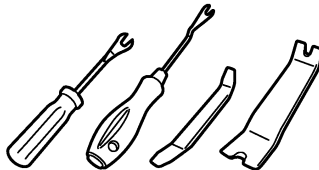
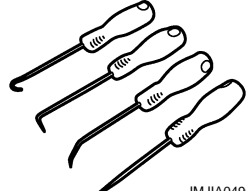
INFOID:000000007633479

The actual shapes of Kent-Moore tools may differ from those of special service tools illustrated here.

Tool number (Kent-Moore No.) Tool name	Description
<p>(J39570) Chassis ear</p> <div style="text-align: center;">  <p style="font-size: small;">SIIA0993E</p> </div>	<p>Locates the noise</p>
<p>(J43980) NISSAN Squeak and Rattle Kit</p> <div style="text-align: center;">  <p style="font-size: small;">SIIA0994E</p> </div>	<p>Repairs the cause of noise</p>

Commercial Service Tool

INFOID:000000007633480

Tool name	Description
<p>Engine ear</p> <div style="text-align: center;">  <p style="font-size: small;">SIIA0995E</p> </div>	<p>Locates the noise</p>
<p>Remover tool</p> <div style="text-align: center;">  <p style="font-size: small;">JMKIA3050ZZ</p> </div>	<p>Removes the clips, pawls and metal clips</p>
<p>Hook and pick tool</p> <div style="text-align: center;">  <p style="font-size: small;">JMJIA0490ZZ</p> </div>	<p>Removes the snap pins</p>

CLIP LIST

< PREPARATION >

CLIP LIST

Clip List

INFOID:000000007633481

Shapes	Removal & Installation	Shapes	Removal & Installation
	<p>Removal: Remove by bending up with flat-bladed screwdrivers or clip remover.</p>	<p>Clip A Clip B</p>	<p>Removal:</p> <p>Finisher Clip A Flat-bladed screwdriver Clip B</p>
	<p>Removal: Remove with a clip remover.</p>	<p>Clip A Clip B (Grommet)</p>	<p>Removal:</p> <p>Flat-bladed screwdriver Finisher Body panel Clip A Clip B (Grommet)</p>
	<p>Removal: Push center pin to catching position. (Do not remove center pin by hitting it.)</p> <p>Push</p> <p>Installation:</p> <p>Push</p>		<p>Removal: Holder portion of clip must be spread out to remove rod.</p>
	<p>Removal: Remove by bending up with flat-bladed screwdrivers or clip remover.</p> <p>Clip Finisher</p>		<p>Removal:</p> <ol style="list-style-type: none"> Screw out with a Phillips screwdriver. Remove female portion with flat-bladed screwdriver.
	<p>Removal:</p>		<p>Removal:</p> <p>Rotate 45° to remove.</p> <p>Installation:</p>
	<p>Removal:</p>		<p>Removal:</p>

JMJIA3734GB

A
B
C
D
E
F
G
H
I
SE
K
L
M
N
O
P

COMPONENT PARTS

< SYSTEM DESCRIPTION >

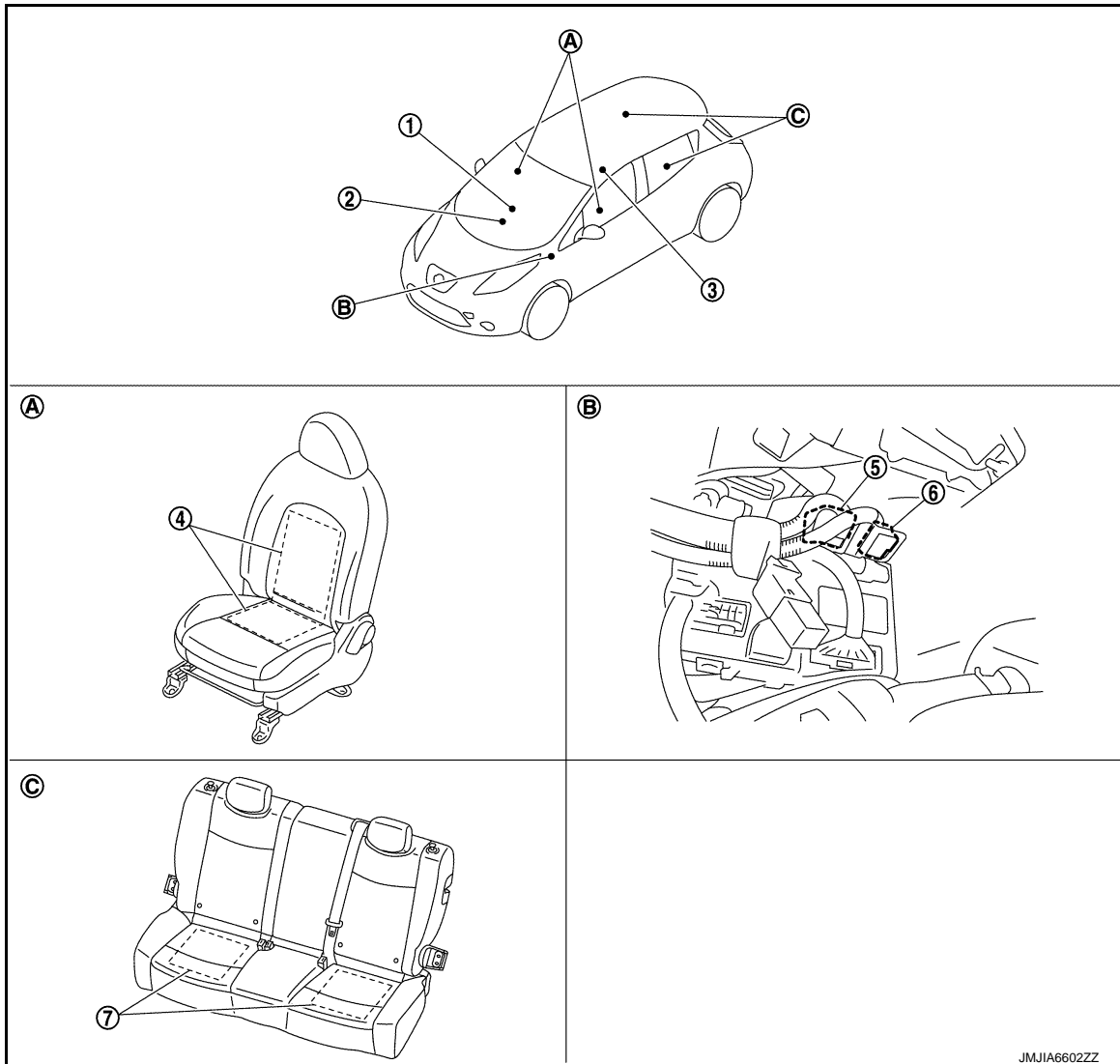
SYSTEM DESCRIPTION

COMPONENT PARTS

HEATED SEAT SYSTEM

HEATED SEAT SYSTEM : Component Parts Location

INFOID:000000007633482



A. The inside of front seat

B. Behind of globe box assembly

C. The inside of rear seat

No.	Component	Function
1.	Front heated seat switch (LH/RH)	Refer to SE-9, "HEATED SEAT SYSTEM : Front Heated Seat Switch" .
2.	A/C auto amp.	A/C auto amp. controls heated seat relay and rear heated seat relay. Both relays are turned ON during the vehicle is set to READY, timer A/C control or remote A/C control is operating. Refer to HAC-9, "AUTOMATIC AIR CONDITIONING SYSTEM : Component Parts Location" for detailed installation location.
3.	Rear heated seat switch	Rear heated seat switch changes ON/OFF operation and HIGH/LOW operation, and supplies power source to rear heated seat. It is integrated into front passenger's seatback. Refer to SE-23, "SEATBACK : Disassembly and Assembly" for detailed installation location.

COMPONENT PARTS

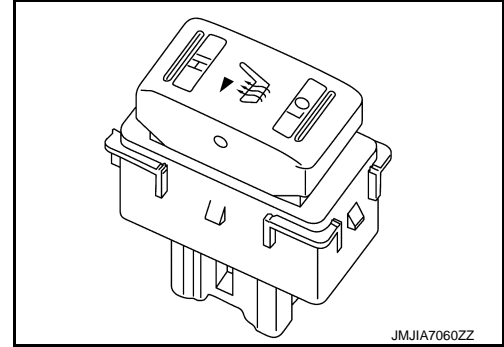
< SYSTEM DESCRIPTION >

No.	Component	Function
4.	Front seat heater (Driver side and passenger side)	Refer to SE-9, "HEATED SEAT SYSTEM : Front Seat Heater" .
5.	Heated seat relay	Refer to SE-9, "HEATED SEAT SYSTEM : Heated Seat Relay" .
6.	Rear heated seat relay	Refer to SE-9, "HEATED SEAT SYSTEM : Rear Heated Seat Relay" .
7.	Rear seat heater (LH/RH)	Refer to SE-9, "HEATED SEAT SYSTEM : Rear Seat Heater" .

HEATED SEAT SYSTEM : Front Heated Seat Switch

INFOID:000000008494969

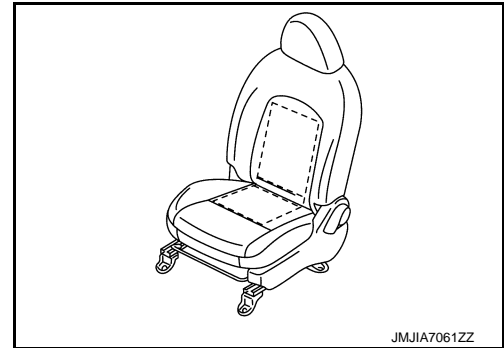
Front heated seat switch changes ON/OFF operation and HIGH/LOW operation, and supplies power source to front heated seats.



HEATED SEAT SYSTEM : Front Seat Heater

INFOID:000000008494970

Front seat heater is located inside of front heated seat cushion and seat back, and operates with power source provided via front heated seat switch.



HEATED SEAT SYSTEM : Heated Seat Relay

INFOID:000000008494971

Heated seat relay is controlled by A/C auto amp. and supplies power source to front heated seats and rear heated seat relay.

HEATED SEAT SYSTEM : Rear Heated Seat Relay

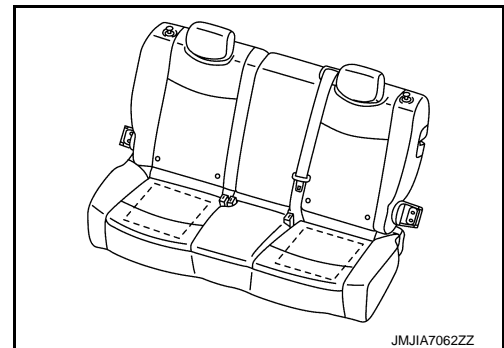
INFOID:000000008494972

Rear heated seat relay is turned ON when front heated seat relay is turned ON, and supplies power source to rear heated seat.

HEATED SEAT SYSTEM : Rear Seat Heater

INFOID:000000008494973

Rear seat heater is located inside of rear heated seat cushion, and operates with power source provided via rear heated seat switch.



A
B
C
D
E
F
G
H
I
SE
K
L
M
N
O
P

SYSTEM

< SYSTEM DESCRIPTION >

SYSTEM

HEATED SEAT SYSTEM

HEATED SEAT SYSTEM : System Description

INFOID:000000007633484

- Heated seat system (Driver side, passenger side and rear seats) consists of heated seat relay, heated seat switch, seat heater and A/C auto amp.
- Heated seat relay and rear heated seat relay are turned ON by A/C auto amp. to provide power source to the heated seat system when any of the following condition is met.
 - The vehicle is set to READY.
 - The timer A/C control is operating. Refer to [HAC-23. "AUTOMATIC AIR CONDITIONING SYSTEM : A/C-Heater Timer \(Climate Ctrl. Timer\)"](#).
 - The remote A/C control is operating. Refer to [HAC-24. "AUTOMATIC AIR CONDITIONING SYSTEM : Remote Climate Control"](#).
- Heated seat switch changes ON/OFF operation and HIGH/LOW mode of heated seat system.
- Heated seat switch has HIGH/LOW indicators which indicates the system operation condition.

HEATED SEAT SYSTEM

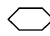
< WIRING DIAGRAM >

WIRING DIAGRAM

HEATED SEAT SYSTEM

Wiring Diagram

INFOID:000000007633485

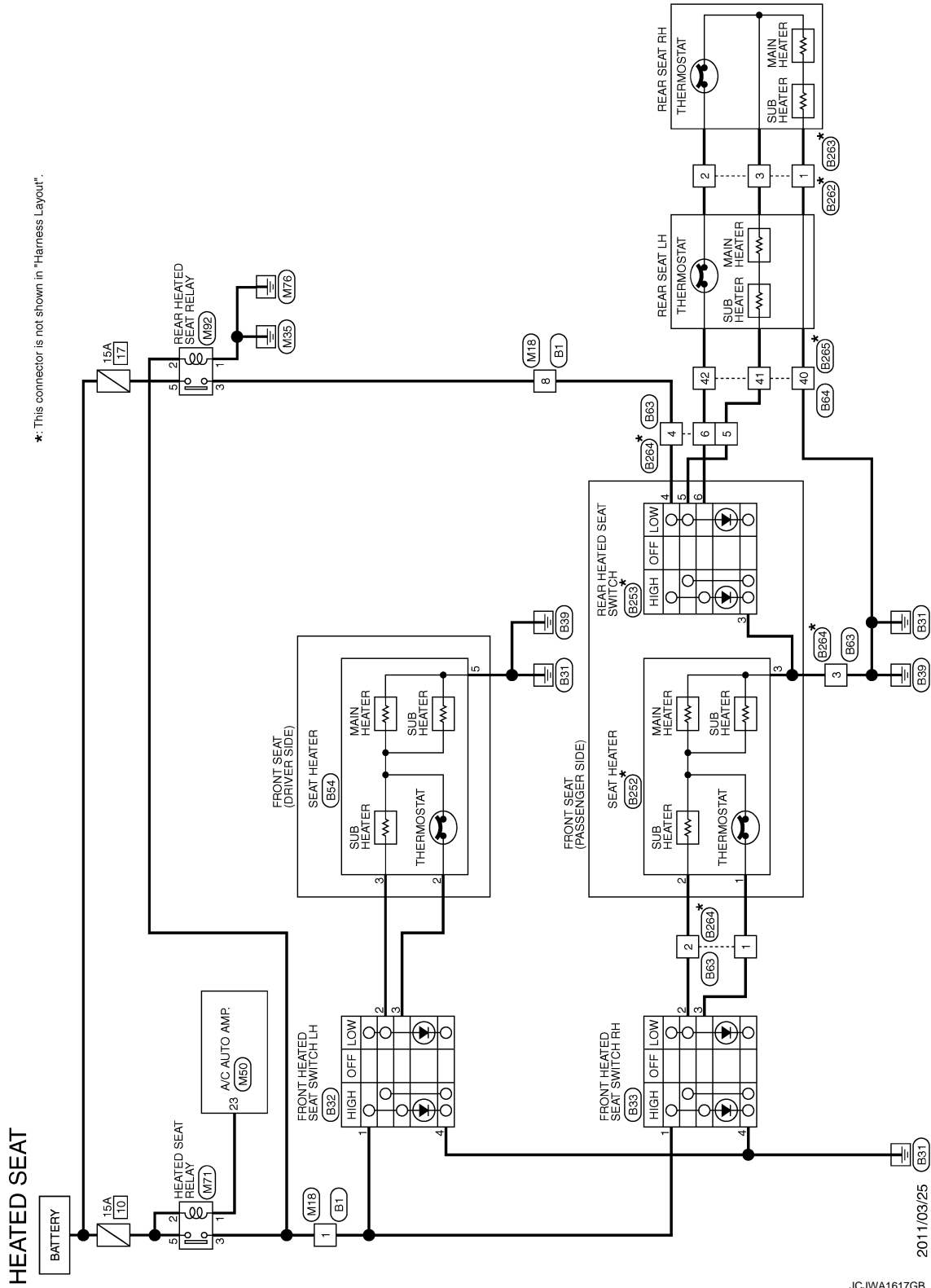
For connector terminal arrangements, harness layouts, and alphabets in a  (option abbreviation; if not described in wiring diagram), refer to [GI-12, "Connector Information"](#).

A
B
C
D
E
F
G
H
I
SE
K
L
M
N
O
P

SE

HEATED SEAT SYSTEM

< WIRING DIAGRAM >



2011/03/25

JCJWA1617GB

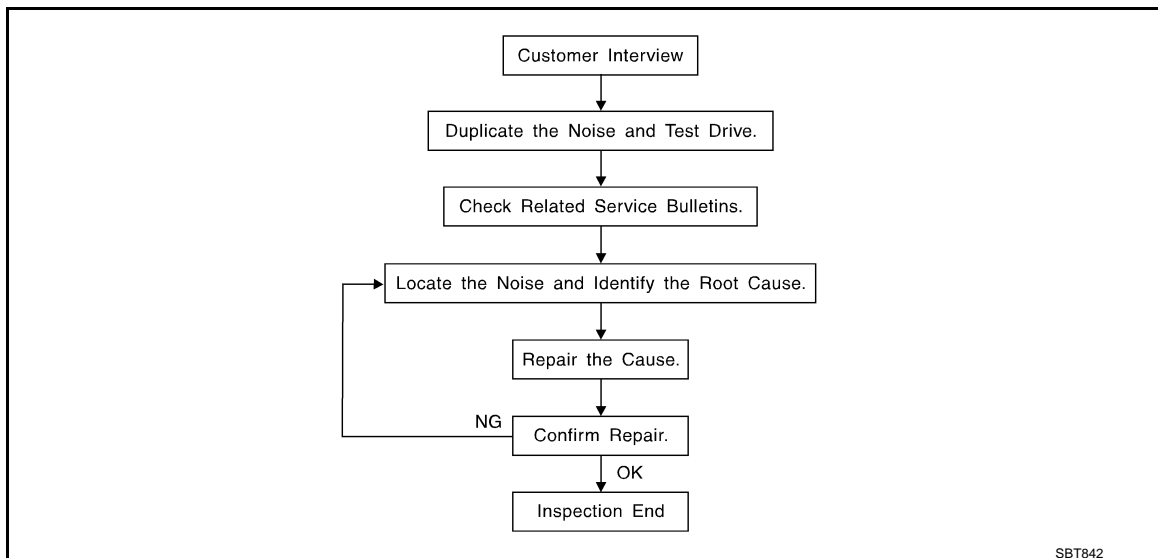
SQUEAK AND RATTLE TROUBLE DIAGNOSES

< SYMPTOM DIAGNOSIS >

SYMPTOM DIAGNOSIS

SQUEAK AND RATTLE TROUBLE DIAGNOSES

Work Flow



CUSTOMER INTERVIEW

Interview the customer if possible, to determine the conditions that exist when the noise occurs. Use the Diagnostic Worksheet during the interview to document the facts and conditions when the noise occurs and any customer comments. Refer to [SE-17. "Diagnostic Worksheet"](#). This information is necessary to duplicate the conditions that exist when the noise occurs.

- The customer may not be able to provide a detailed description or the location of the noise. Attempt to obtain all the facts and conditions that exist when the noise occurs (or does not occur).
- If there is more than one noise in the vehicle, perform a diagnosis and repair the noise that the customer is concerned about. This can be accomplished by performing a test drive with the customer.
- After identifying the type of noise, isolate the noise in terms of its characteristics. The noise characteristics are provided so that the customer, service adviser, and technician use the same language when describing the noise.
- Squeak – (Like tennis shoes on a clean floor)
Squeak characteristics include the light contact / fast movement / brought on by road conditions / hard surfaces = high-pitched noise / softer surfaces = low-pitched noises / edge to surface = chirping
- Creak – (Like walking on an old wooden floor)
Creak characteristics include firm contact / slow movement/twisting with a rotational movement / pitch dependent on materials / often brought on by activity.
- Rattle – (Like shaking a baby rattle)
Rattle characteristics include fast repeated contact / vibration or similar movement / loose parts/missing clip or fastener / incorrect clearance.
- Knock – (Like a knock on a door)
Knock characteristics include hollow sounds / sometimes repeating / often brought on by driver action.
- Tick – (Like a clock second hand)
Tick characteristics include gentle contacting of light materials / loose components / can be caused by driver action or road conditions.
- Thump – (Heavy, muffled knock noise)
Thump characteristics include softer knock / dull sounds often brought on by activity.
- Buzz – (Like a bumblebee)
Buzz characteristics include high frequency rattle / firm contact.
- Often the degree of acceptable noise level varies depending upon the person. A noise that a technician may judge as acceptable may be very irritating to a customer.
- Weather conditions, especially humidity and temperature, may have a great effect on noise level.

DUPLICATE THE NOISE AND TEST DRIVE

SQUEAK AND RATTLE TROUBLE DIAGNOSES

< SYMPTOM DIAGNOSIS >

If possible, drive the vehicle with the customer until the noise is duplicated. Note any additional information on the Diagnostic Worksheet regarding the conditions or location of the noise. This information can be used to duplicate the same conditions when the repair is reconfirmed.

If the noise can be duplicated easily during the test drive, to help identify the source of the noise, try to duplicate the noise with the vehicle stopped by doing one or all of the following items:

- 1) Close a door.
 - 2) Tap or push/pull around the area where the noise appears to be coming from.
 - 3) Rev the motor.
 - 4) Use a floor jack to recreate vehicle "twist".
 - 5) At idle, apply motor load (electrical load, half-clutch on M/T models, drive position on A/T models).
 - 6) Raise the vehicle on a hoist and hit a tire with a rubber hammer.
- Drive the vehicle and attempt to duplicate the conditions the customer states exist when the noise occurs.
 - If it is difficult to duplicate the noise, drive the vehicle slowly on an undulating or rough road to stress the vehicle body.

CHECK RELATED SERVICE BULLETINS

After verifying the customer concern or symptom, check ASIST for Technical Service Bulletins (TSBs) related to the concern or symptom.

If a TSB relates to the symptom, follow the procedure to repair the noise.

LOCATE THE NOISE AND IDENTIFY THE ROOT CAUSE

1. Narrow down the noise to a general area. To help pinpoint the source of the noise, use a listening tool (Chassis ear: J-39570, engine ear, and mechanics stethoscope).
2. Narrow down the noise to a more specific area and identify the cause of the noise by:
 - Removing the component(s) in the area that is / are suspected to be the cause of the noise.
Do not use too much force when removing clips and fasteners, otherwise clips and fasteners can be broken or lost during the repair, resulting in the creation of new noise.
 - Tapping or pushing/pulling the component(s) that is / are suspected to be the cause of the noise.
Do not tap or push/pull the component(s) with excessive force, otherwise the noise is eliminated only temporarily.
 - Feeling for a vibration by hand by touching the component(s) that is / are suspected to be the cause of the noise.
 - Placing a piece of paper between components that are suspected to be the cause of the noise.
 - Looking for loose components and contact marks.
Refer to [SE-15. "Inspection Procedure"](#).

REPAIR THE CAUSE

- If the cause is a loose component, tighten the component securely.
- If the cause is insufficient clearance between components:
 - Separate components by repositioning or loosening and retightening the components, if possible.
 - Insulate components with a suitable insulator such as urethane pads, foam blocks, felt cloth tape, or urethane tape. A NISSAN Squeak and Rattle Kit (J-43980) is available through the authorized NISSAN Parts Department.

CAUTION:

Never use excessive force as many components are constructed of plastic and may be damaged.

NOTE:

Always check with the Parts Department for the latest parts information.

The following materials are contained in the NISSAN Squeak and Rattle Kit (J-43980). Each item can be ordered separately as needed.

URETHANE PADS [1.5 mm (0.059 in) thick]

Insulates connectors, harness, etc.

- 76268-9E005: 100 × 135 mm (3.937 × 5.315 in)
- 76884-71L01: 60 × 85 mm (2.362 × 3.346 in)
- 76884-71L02: 15 × 25 mm (0.591 × 0.984 in)

INSULATOR (Foam blocks)

Insulates components from contact. Can be used to fill space behind a panel.

- 73982-9E000: 45 mm (1.772 in) thick, 50 × 50 mm (1.969 × 1.969 in)
- 73982-50Y00: 10 mm (0.394 in) thick, 50 × 50 mm (1.969 × 1.969 in)

INSULATOR (Light foam block)

80845-71L00: 30 mm (1.181 in) thick, 30 × 50 mm (1.181 × 1.969 in)

FELT CLOTHTAPE

SQUEAK AND RATTLE TROUBLE DIAGNOSES

< SYMPTOM DIAGNOSIS >

Used to insulate where movement does not occur. Ideal for instrument panel applications.

- 68370-4B000: 15 × 25 mm (0.591 × 0.984 in) pad
- 68239-13E00: 5 mm (0.197 in) wide tape roll

The following materials, not found in the kit, can also be used to repair squeaks and rattles.

UHMW (TEFLON) TAPE

Insulates where slight movement is present. Ideal for instrument panel applications.

SILICONE GREASE

Used in place of UHMW tape that is visible or does not fit. Only lasts a few months.

SILICONE SPRAY

Used when grease cannot be applied.

DUCT TAPE

Used to eliminate movement.

CONFIRM THE REPAIR

After repair is complete, test drive the vehicle to confirm that the cause of noise is repaired by test driving the vehicle. Operate the vehicle under the same conditions as when the noise originally occurred. Refer to the notes on the Diagnostic Worksheet.

Inspection Procedure

INFOID:000000007633487

Refer to Table of Contents for specific component removal and installation information.

INSTRUMENT PANEL

Most incidents are caused by contact and movement between:

1. The cluster lid A and instrument panel
2. Acrylic lens and combination meter housing
3. Instrument panel to front pillar garnish
4. Instrument panel to windshield
5. Instrument panel mounting pins
6. Wiring harnesses behind the combination meter
7. A/C defroster duct and duct joint

These incidents can usually be located by tapping or moving the components to duplicate the noise or by pressing on the components while driving to stop the noise. Most of these incidents can be repaired by applying felt cloth tape or silicon spray (in hard to reach areas). Urethane pads can be used to insulate wiring harness.

CAUTION:

Never use silicone spray to isolate a squeak or rattle. If the area is saturated with silicone, the recheck of repair becomes impossible.

CENTER CONSOLE

Components to check include:

1. Shifter assembly cover to finisher
2. A/C control unit and cluster lid C
3. Wiring harnesses behind audio and A/C control unit

The instrument panel repair and isolation procedures also apply to the center console.

DOORS

Check the following items:

1. Finisher and inner panel making a slapping noise
2. Inside handle escutcheon connection to door finisher
3. Wiring harnesses tapping
4. Door striker out of alignment causing a popping noise on starts and stops

Tapping, moving the components, or pressing on them while driving to duplicate the conditions can isolate many of these incidents. The areas can usually be insulated with felt cloth tape or insulator foam blocks from the NISSAN Squeak and Rattle Kit (J-43980) to repair the noise.

TRUNK

Trunk noises are often caused by a loose jack or loose items put into the trunk by the customer.

In addition check for the following items:

SQUEAK AND RATTLE TROUBLE DIAGNOSES

< SYMPTOM DIAGNOSIS >

1. Trunk lid dumpers out of adjustment
2. Trunk lid striker out of adjustment
3. Trunk lid torsion bars knocking together
4. A loose license plate or bracket

Most of these incidents can be repaired by adjusting, securing, or insulating the item(s) or component(s) causing the noise.

SUNROOF/HEADLINING

Noises in the sunroof / headlining area can often be traced to one of the following items:

1. Sunroof lid, rail, linkage, or seals making a rattle or light knocking noise
2. Sunvisor shaft shaking in the holder
3. Front or rear windshield touching headlining and squeaking

Again, pressing on the components to stop the noise while duplicating the conditions can isolate most of these incidents. Repairs usually consist of insulating with felt cloth tape.

SEATS

When isolating seat noise it is important to note the position the seat is in and the load placed on the seat when the noise occurs. These conditions should be duplicated when verifying and isolating the cause of the noise.

Causes of seat noise include:

1. Headrest rods and holder
2. A squeak between the seat pad cushion and frame
3. The rear seatback lock and bracket

These noises can be isolated by moving or pressing on the suspected components while duplicating the conditions under which the noise occurs. Most of these incidents can be repaired by repositioning the component or applying urethane tape to the contact area.

UNDERHOOD

Some interior noise may be caused by components under the hood or on the motor wall. The noise is then transmitted into the passenger compartment.

Causes of transmitted underhood noise include:

1. Any component mounted to the motor wall
2. Components that pass through the motor wall
3. Motor wall mounts and connectors
4. Loose radiator mounting pins
5. Hood bumpers out of adjustment
6. Hood striker out of adjustment

These noises can be difficult to isolate since they cannot be reached from the interior of the vehicle. The best method is to secure, move, or insulate one component at a time and test drive the vehicle. Also, motor RPM or load can be changed to isolate the noise. Repairs can usually be made by moving, adjusting, securing, or insulating the component causing the noise.

SQUEAK AND RATTLE TROUBLE DIAGNOSES

< SYMPTOM DIAGNOSIS >

Diagnostic Worksheet

INFOID:000000007633488



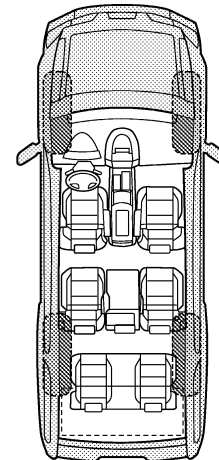
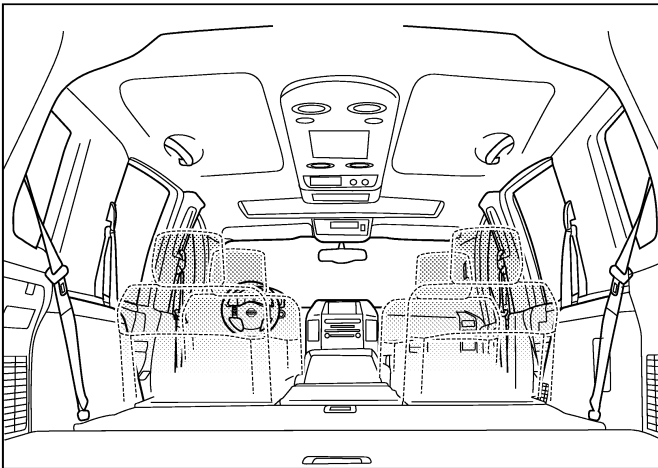
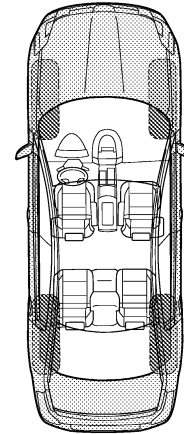
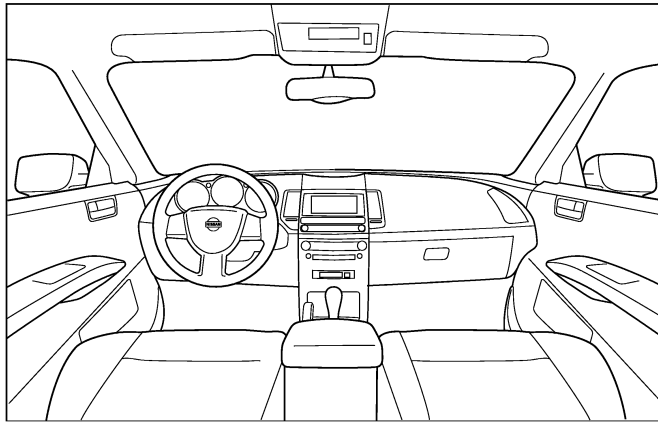
SQUEAK & RATTLE DIAGNOSTIC WORKSHEET

Dear Nissan Customer:

We are concerned about your satisfaction with your Nissan vehicle. Repairing a squeak or rattle sometimes can be very difficult. To help us fix your Nissan right the first time, please take a moment to note the area of the vehicle where the squeak or rattle occurs and under what conditions. You may be asked to take a test drive with a service advisor or technician to ensure we confirm the noise you are hearing.

I. WHERE DOES THE NOISE COME FROM? (circle the area of the vehicle)

The illustrations are for reference only, and may not reflect the actual configuration of your vehicle.



Continue to page 2 of the worksheet and briefly describe the location of the noise or rattle. In addition, please indicate the conditions which are present when the noise occurs.

PIIB8740E

A
B
C
D
E
F
G
H
I
SE
K
L
M
N
O
P

SQUEAK AND RATTLE TROUBLE DIAGNOSES

< SYMPTOM DIAGNOSIS >

SQUEAK & RATTLE DIAGNOSTIC WORKSHEET - page 2

Briefly describe the location where the noise occurs:

II. WHEN DOES IT OCCUR? (please check the boxes that apply)

- | | |
|---|--|
| <input type="checkbox"/> anytime | <input type="checkbox"/> after sitting out in the rain |
| <input type="checkbox"/> 1st time in the morning | <input type="checkbox"/> when it is raining or wet |
| <input type="checkbox"/> only when it is cold outside | <input type="checkbox"/> dry or dusty conditions |
| <input type="checkbox"/> only when it is hot outside | <input type="checkbox"/> other: |

III. WHEN DRIVING:

- through driveways
- over rough roads
- over speed bumps
- only about ____ mph
- on acceleration
- coming to a stop
- on turns: left, right or either (circle)
- with passengers or cargo
- other: _____
- after driving ____ miles or ____ minutes

IV. WHAT TYPE OF NOISE

- squeak (like tennis shoes on a clean floor)
- creak (like walking on an old wooden floor)
- rattle (like shaking a baby rattle)
- knock (like a knock at the door)
- tick (like a clock second hand)
- thump (heavy, muffled knock noise)
- buzz (like a bumble bee)

TO BE COMPLETED BY DEALERSHIP PERSONNEL

Test Drive Notes:

	YES	NO	Initials of person performing
Vehicle test driven with customer	<input type="checkbox"/>	<input type="checkbox"/>	_____
- Noise verified on test drive	<input type="checkbox"/>	<input type="checkbox"/>	_____
- Noise source located and repaired	<input type="checkbox"/>	<input type="checkbox"/>	_____
- Follow up test drive performed to confirm repair	<input type="checkbox"/>	<input type="checkbox"/>	_____

VIN: _____ Customer Name: _____
W.O.# _____ Date: _____

This form must be attached to Work Order

PIIB8742E

FRONT SEAT

< REMOVAL AND INSTALLATION >

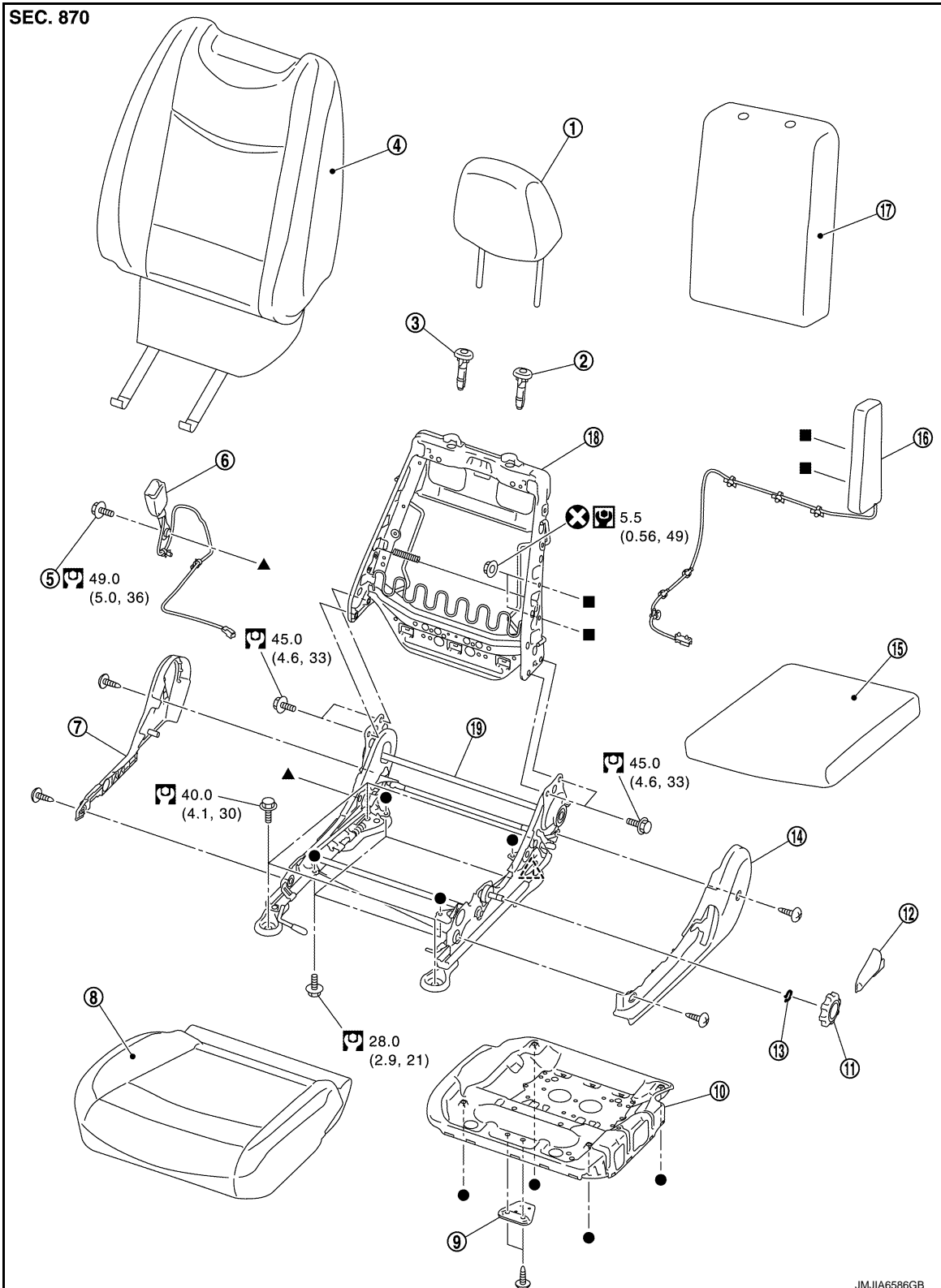
REMOVAL AND INSTALLATION

FRONT SEAT

Exploded View

DRIVER SEAT

INFOID:000000007633489



A
B
C
D
E
F
G
H
I
SE
K
L
M
N
O
P

FRONT SEAT

< REMOVAL AND INSTALLATION >

- | | | |
|---------------------------------|---------------------------------|-------------------------------|
| 1. Headrest | 2. Headrest holder (locked) | 3. Headrest holder (free) |
| 4. Seatback assembly | 5. Anchor bolt | 6. Seat belt buckle |
| 7. Seat cushion inner finisher | 8. Seat cushion assembly | 9. Seat cushion frame bracket |
| 10. Seat cushion frame assembly | 11. Seat lifter dial knob | 12. Seat reclining lever knob |
| 13. Snap ring | 14. Seat cushion outer finisher | 15. Seat cushion silencer |
| 16. Side air bag module | 17. Seatback silencer | 18. Seatback frame assembly |
| 19. Seat adjuster assembly | | |



: Pawl



: Always replace after every disassembly.



: N·m (kg-m, in-lb)



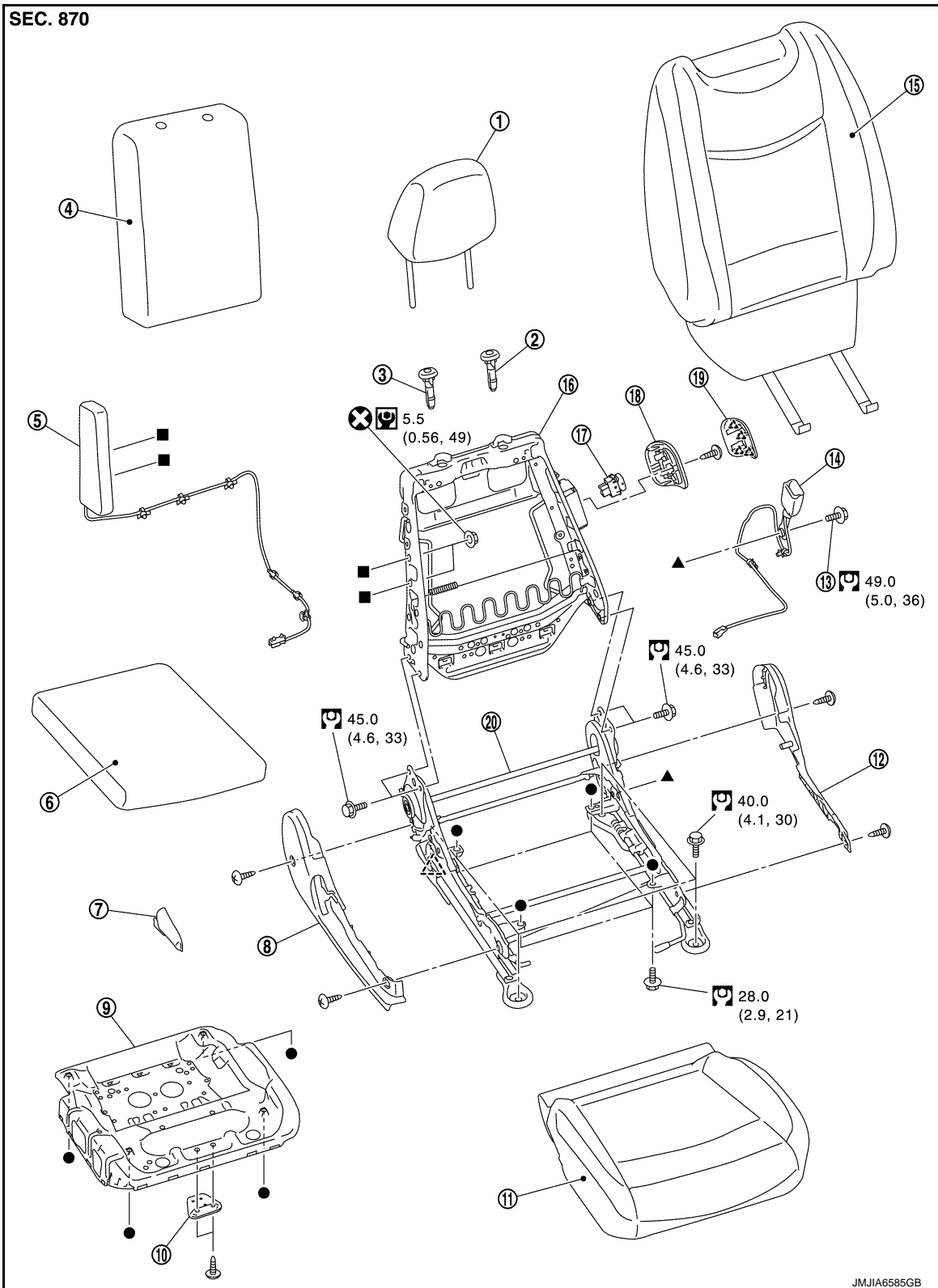
: N·m (kg-m, ft-lb)

●, ▲, ■: Indicates that the part is connected at points with same symbol in actual vehicle.

PASSENGER SEAT

FRONT SEAT

< REMOVAL AND INSTALLATION >

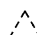



- | | | |
|--------------------------------|--------------------------------|---------------------------------|
| 1. Headrest | 2. Headrest holder (locked) | 3. Headrest holder (free) |
| 4. Seatback silencer | 5. Side air bag module | 6. Seat cushion silencer |
| 7. Seat reclining lever knob | 8. Seat cushion outer finisher | 9. Seat cushion frame assembly |
| 10. Seat cushion frame bracket | 11. Seat cushion assembly | 12. Seat cushion inner finisher |
| 13. Anchor bolt | 14. Seat belt buckle | 15. Seatback assembly |
| 16. Seatback frame assembly | 17. Rear heated seat switch* | 18. Switch finisher* |


FRONT SEAT


< REMOVAL AND INSTALLATION >




19. Seatback upper finisher* 20. Seat adjuster assembly

 : Pawl

 : Always replace after every disassembly.

 : N·m (kg-m, in-lb)

 : N·m (kg-m, ft-lb)

 ,  ,  : Indicates that the part is connected at points with same symbol in actual vehicle.

*: With rear heated seat only.

Removal and Installation

INFOID:000000007633490

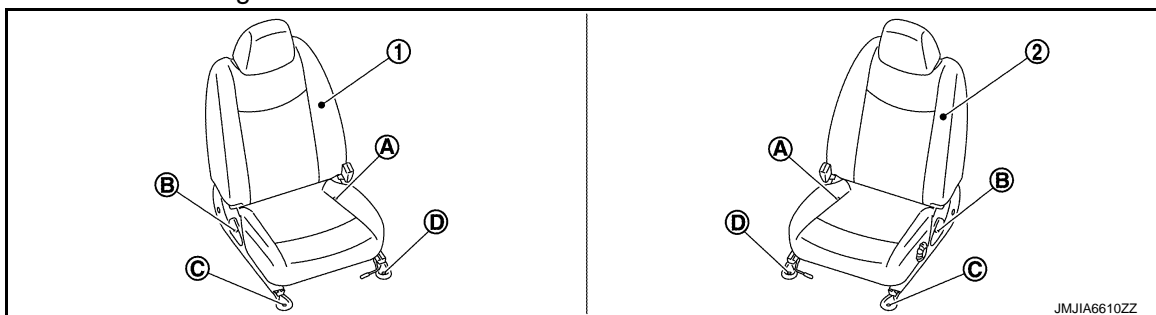
REMOVAL

WARNING:

Always observe the following items for preventing accidental activation.

- Before servicing, push power switch OFF, disconnect 12V battery terminal and wait for 5 minutes or more. Refer to [SE-4, "Precautions for Removing Battery Terminal"](#).
- Always work from the side of seatback. Never work in front of it.
- Never use air tools or electric tools for servicing.

1. Remove headrest.
2. Operate seat reclining lever and set the seatback vertically.
3. Remove seat mounting bolts.



1. Passenger seat

2. Driver seat

- a. Operate seat slide lever and slide seat to the frontmost position.
 - b. Remove rear inner mounting bolt (A).
 - c. Remove rear outer mounting bolt (B).
 - d. Operate seat slide lever and slide seat to the rearmost position.
 - e. Remove front outer mounting bolt (C).
 - f. Remove front inner mounting bolt (D).
4. Disconnect seat cushion lower harness connectors, and then remove harness fixing clips.

WARNING:

Never insert foreign materials, such as a screwdriver, into side air bag module harness connector. (This is to prevent accidental activation caused by static electricity.)

CAUTION:

- Operate seat lifter dial and lower seat cushion to the bottom position. (driver seat only)
 - Before performing removal operation, check the installation position of harness connectors and harness fixing clips.
5. Remove seat from the vehicle.

CAUTION:

When removing and installing, use shop cloths to protect parts from damage.

INSTALLATION

Note the following items, and then install in the reverse order of removal.

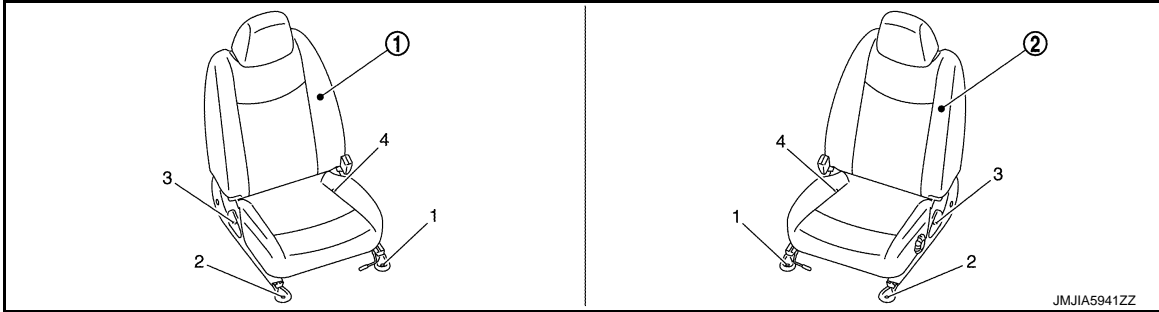
CAUTION:

- When removing and installing, use shop cloths to protect parts from damage.

FRONT SEAT

< REMOVAL AND INSTALLATION >

- Before installing seat, check that sliding rail inner and outer are locked in the same position.
- Before tightening bolts, check that the carpet is not caught in bolt holes on mounting portion.
- Always fix the harness fixing clamp in position.
- Install connector with lock raised, and push lock into connector.
After installing the connector, check that the lock is pushed securely into it.
- When installing, tighten mounting bolts according to the numerical order (1, 2, 3, and 4 as shown in the figure), starting from front inner mounting bolt.



1. Passenger seat

2. Driver seat

For the specified torque, refer to [SE-19, "Exploded View"](#).
SEATBACK

SEATBACK : Disassembly and Assembly

INFOID:000000007633491

DISASSEMBLY

WARNING:

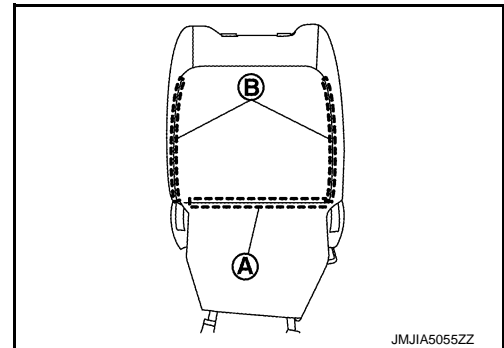
Always observe the following items for preventing accidental activation.

- Always work from the side of seatback. Never work in front of it.
 - Never use air tools or electric tools for servicing.
1. Remove side air bag module harness and heated seat harness (with heated seat only) installed in the lower portion of seat cushion. Refer to [SE-26, "SEAT CUSHION : Disassembly and Assembly"](#).


CAUTION:

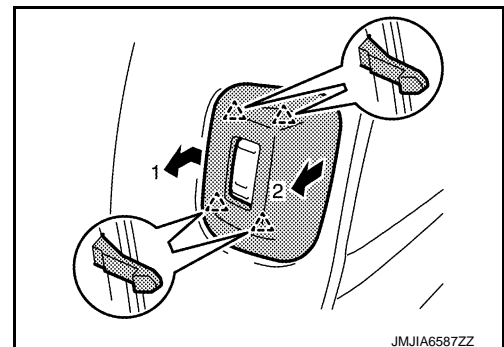
Never damage harness, connector, or clips of the side air bag module.

2. Disengage seatback retainer (A) and open seatback fasteners (B).



3. Disengage pawls according to numerical order 1 → 2 as shown in the figure as and then remove seatback upper finisher from seatback (with heated seat only).

 : Pawl



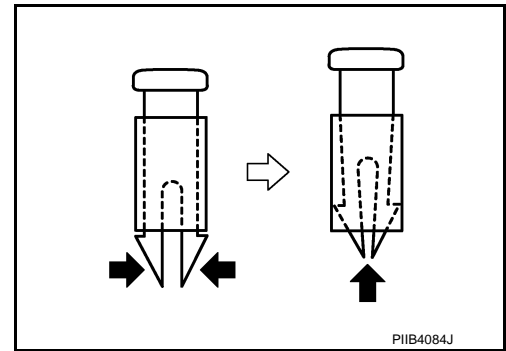
FRONT SEAT

< REMOVAL AND INSTALLATION >

4. Use pincers, etc., to press up pawls as shown by the arrows in the figure, and remove headrest holder from seatback.

CAUTION:

Before installing headrest holder check its orientation (front/rear and right/left).




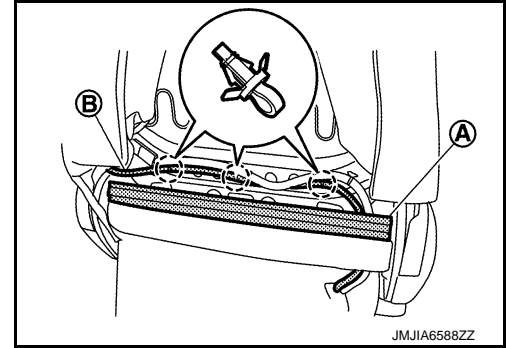
5. Disengage seatback trim retainer (A) from seatback frame assembly.

6. Remove harness clips of side air bag module harness (B).


CAUTION:

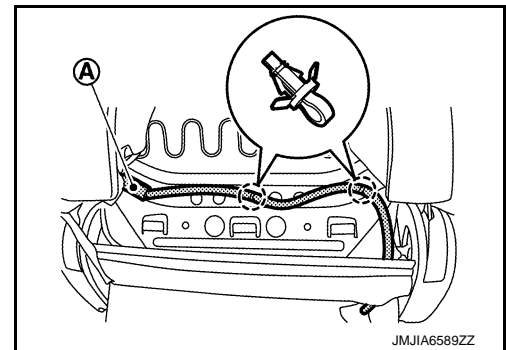
Never damage harness, connector, or clips of the side air bag module.

 : Clip

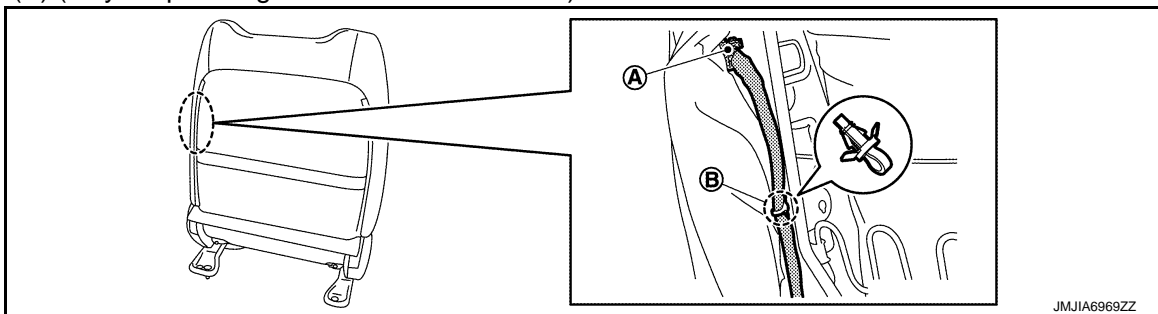


7. Disconnect heated seat harness connector (A), and then remove harness clips (with heated seat only).

 : Clip



8. Disconnect rear heated seat switch harness connector (A) and remove rear heated seat switch harness clip (B) (only for passenger seat with heated seat).



9. Remove switch finisher and rear heated seat switch from seatback frame assembly (with heated seat only). Refer to [SE-39. "REAR : Removal and Installation"](#).

10. Remove side air bag module mounting nuts.

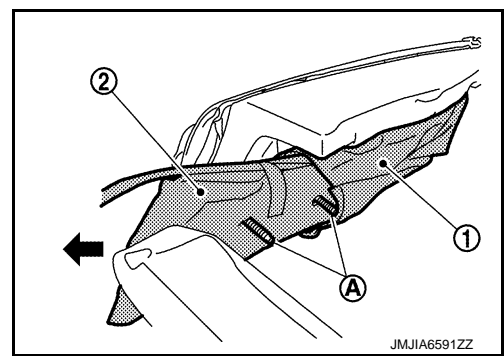
11. Remove seatback assembly and side air bag module from seatback frame assembly.

12. Remove side air bag module.

FRONT SEAT

< REMOVAL AND INSTALLATION >

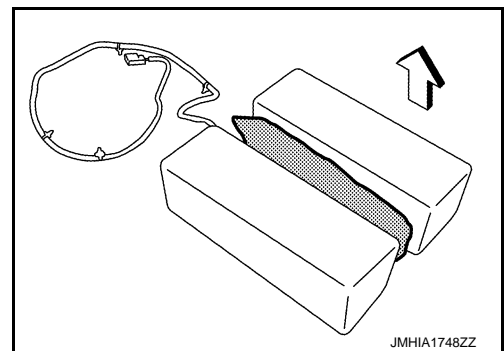
- Remove inner cloth (reinforcement cloth) (1) from stud bolts (A).
- Remove side air bag module (2) from inner cloth (reinforcement cloth) in direction indicated by the arrow as shown in the figure.



CAUTION:

- Never damage seatback trim or inner cloth (reinforcement cloth).
- Check direction if side air bag module.
- Never disassemble and check inflator. Side air bag module must never be disassembled.
- Place side air bag module as a unit with side air bag deployment surface facing upward (stud bolts facing downward). (This is to prevent accidental deployment.)

↕ : Upward



- To prevent damage to the parts, never impact the side air bag module.
- Replace the side air bag module if it is dropped or sustains an impact.



- To prevent accidental explosion, never expose the side air bag module to temperatures more than 90°C (194°F).
- Place air bag module as a unit with side air bag deployment surface facing upward (stud bolts facing downward). (This is to prevent accidental deployment.)

- Remove seatback silencer from seatback frame assembly.
- Remove mounting bolts of seatback frame assembly, and then remove seatback frame assembly from seat adjuster assembly.

ASSEMBLY

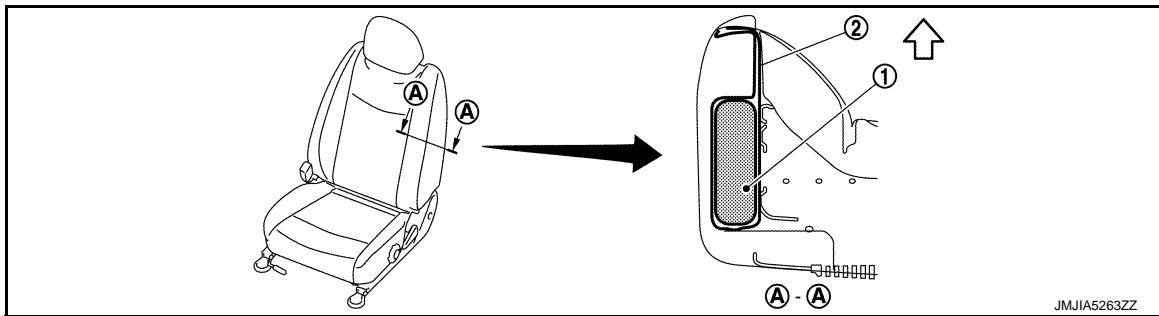
Note the following items, and then assemble in the reverse order of disassembly.

CAUTION:

- Check seatback assembly for damage. Replace with new part if necessary.
- Check that cutting slits on side air bag module cloth cover are not damaged. Replace side air bag module with a new one if necessary.
- Check that part number of the side air bag module is appropriate to seat specification.
- Check that side air bag module (1) and inner cloth (reinforcement cloth) (2) is in the position as shown in the figure.

FRONT SEAT

< REMOVAL AND INSTALLATION >



← : Vehicle front

- Check inner cloth (reinforcement cloth) for wrinkles and folding.
- Check that inner cloth (reinforcement cloth) is not pinched.
- Check that seatback trim end is fixed correctly.
- Never damage harness, connector, or clips of the side air bag module.
- Never damage seatback trim or inner cloth (reinforcement cloth).
- Check direction if side air bag module.
- Use new mounting nuts when mounting the side air bag module. Tighten to the specified torque. For the specified torque, refer to [SE-19, "Exploded View"](#).
- Be careful not to leave any foreign materials (screwdriver or others) in seatback.
- Check that harness route and harness clip installation position are in the specified positions.
- When harness clip is damaged, mark the clip position and replace damaged clip with a new one in the original position.
- If malfunction is detected by the air bag warning lamp, after repair or replacement of the malfunctioning parts, reset the memory using self-diagnosis or CONSULT. Refer to [SRC-13, "On Board Diagnosis Function"](#) or [SRC-17, "CONSULT Function"](#).
- After the work is completed, check that no system malfunction is detected by air bag warning lamp.

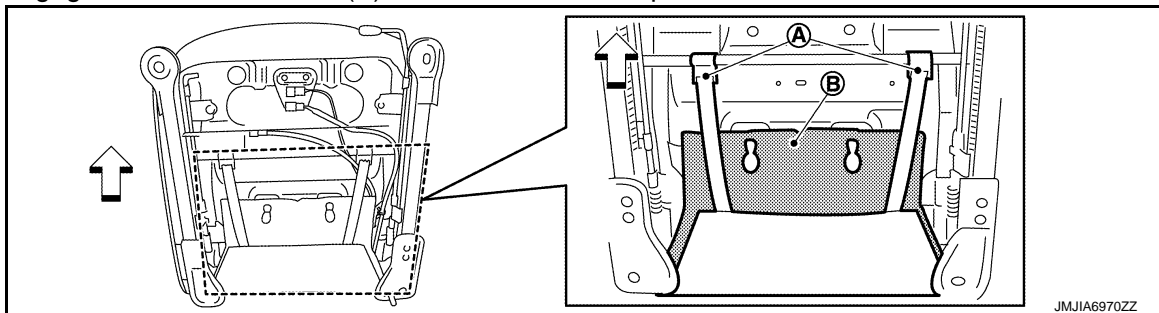
SEAT CUSHION

SEAT CUSHION : Disassembly and Assembly

INFOID:000000007633492

DISASSEMBLY

1. Disengage rubber band hooks (A) installed in the lower portion of seat cushion.



2. Disengage seat cushion trim (B).

← : Vehicle front

FRONT SEAT

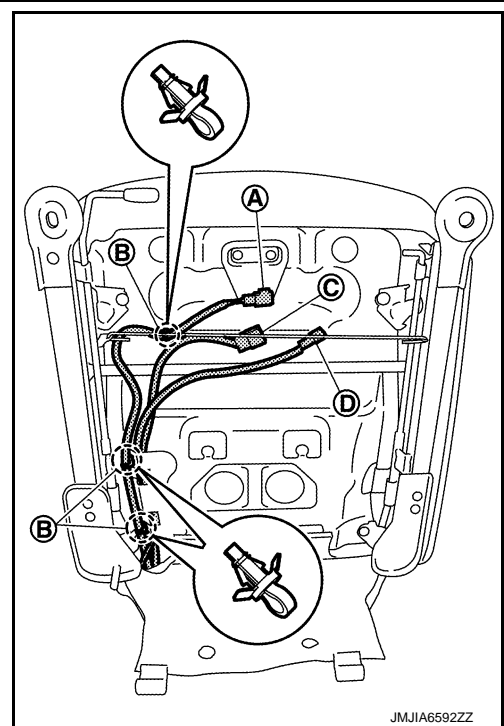
< REMOVAL AND INSTALLATION >

- Remove harness connector (A) and harness clips (B), and then remove side air bag module harness from seat cushion frame assembly.

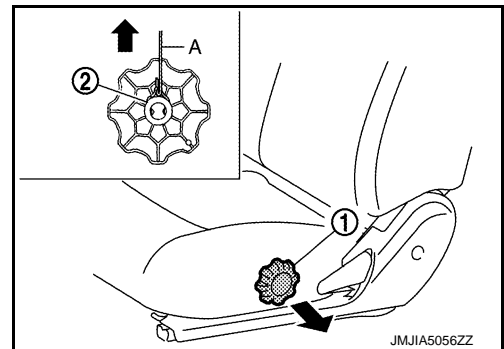
CAUTION:

Never damage harness, connector, or clips of the side air bag module.


- Remove harness connector (C), and then remove heated seat harness from seat cushion frame assembly (with heated seat only).
- Remove harness connector (D), and then remove seat belt buckle harness from seat cushion frame assembly.

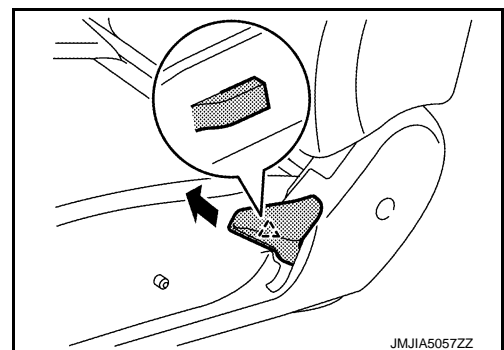


- Remove occupant classification system control unit harness and harness connector (passenger seat only).
- Pull snap ring (2) upward, and remove seat lifter dial knob (1) from seat frame assembly with hook and pick tool (A) (driver seat only).



- Disengage pawl using a remove tool while pulling seat reclining lever knob. Slide seat reclining lever knob toward seat front and remove it.

 : Pawl



- Remove heated seat harness connector and heated seat harness clips from seatback frame assembly (with heated seat only). Refer to [SE-23. "SEATBACK : Disassembly and Assembly"](#).
- Remove mounting bolts and then remove seat cushion frame assembly from seat adjuster assembly.
- Remove seat cushion assembly.
 - Disengage seat cushion retainer from seat cushion frame assembly.
 - Remove seat cushion assembly from seat cushion frame assembly.
- Remove seat cushion silencer from seat cushion frame assembly.

FRONT SEAT

< REMOVAL AND INSTALLATION >

13. Remove fixing screws, and then remove seat cushion frame bracket from seat cushion frame assembly.
14. Remove fixing screws, and then remove seat cushion outer finisher from seat adjuster assembly.
15. Remove fixing screws, and then remove seat cushion inner finisher from seat adjuster assembly.
16. Remove seat belt buckle. Refer to [SB-13, "SEAT BELT BUCKLE : Removal and Installation"](#).
17. Remove mounting bolts, and then remove seat adjuster assembly from seatback frame assembly. Refer to [SE-23, "SEATBACK : Disassembly and Assembly"](#).

ASSEMBLY

Note the following items, and then assemble in the reverse order of disassembly.

CAUTION:

- **Check seat cushion assembly for damage. Replace with new part if necessary.**
- **Check that harness route and harness clip installation position are in the specified.**
- **When harness clip is damaged, mark the clip position and replace damaged clip with a new one in the original position.**
- **Tighten seat cushion frame assembly, seat adjuster assembly, seatback frame assembly and seat belt buckle anchor bolt to the specified torque. For the specified torque, refer to [SE-19, "Exploded View"](#).**

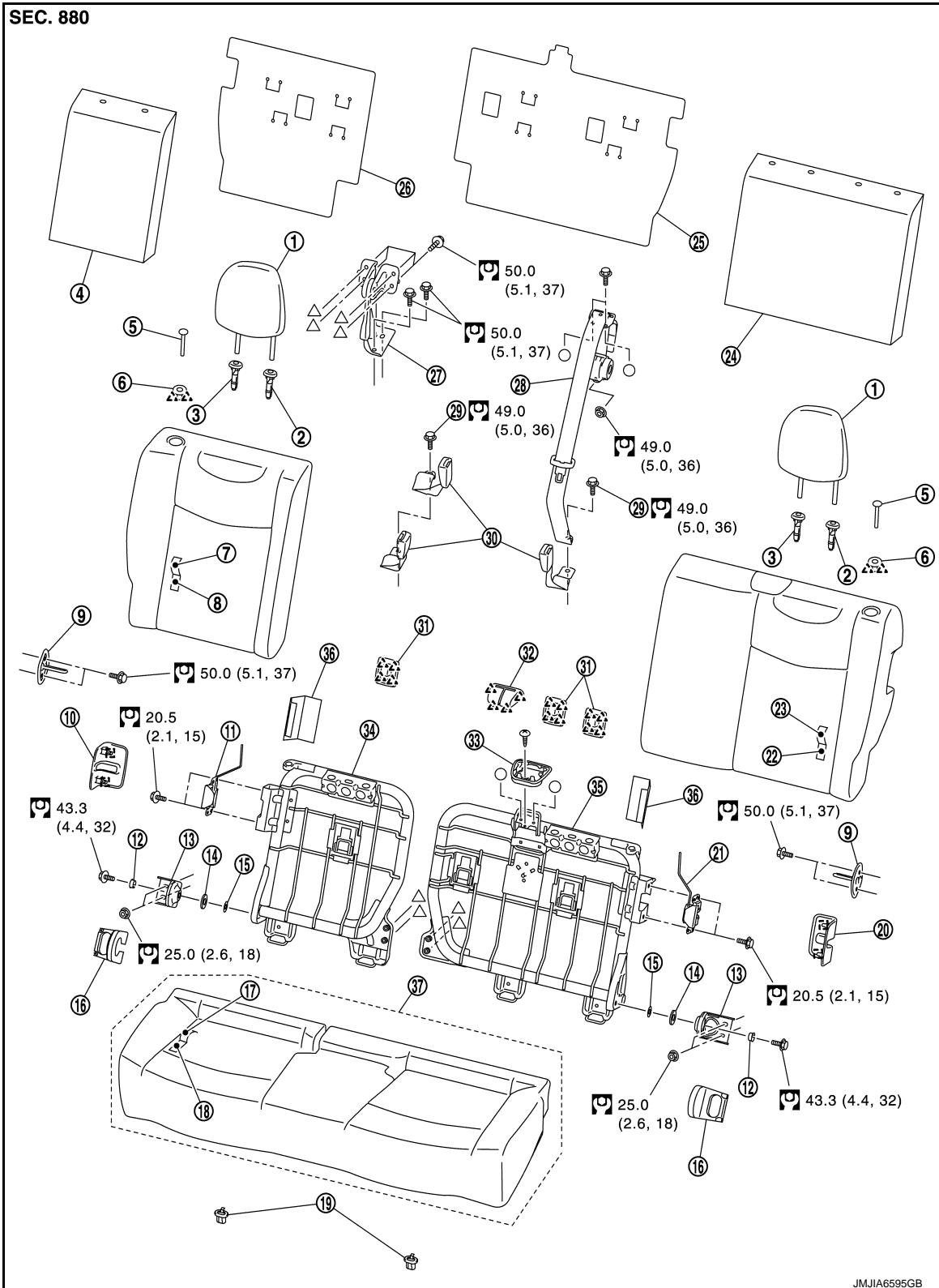
REAR SEAT

< REMOVAL AND INSTALLATION >

REAR SEAT

Exploded View

INFOID:000000007633493



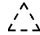
- | | | |
|-------------------------|-----------------------------|----------------------------|
| 1. Headrest | 2. Headrest holder (locked) | 3. Headrest holder (free) |
| 4. Seatback silencer RH | 5. Seatback lock knob | 6. Seat lock knob finisher |
| 7. Seatback trim | 8. Seatback pad | 9. Striker assembly |

A
B
C
D
E
F
G
H
I
SE
K
L
M
N
O
P


REAR SEAT

< REMOVAL AND INSTALLATION >

- | | | |
|----------------------------------|--------------------------------|-----------------------------------|
| 10. Seatback lock cover RH | 11. Seatback lock assembly RH | 12. Bush |
| 13. Seatback side hinge assembly | 14. Spacer | 15. Lock washer |
| 16. Seat hinge cover | 17. Seat cushion trim*1 | 18. Seat cushion pad*1 |
| 19. Seat cushion hook | 20. Seatback lock cover LH | 21. Seatback lock assembly LH |
| 22. Seatback pad LH | 23. Seatback trim LH | 24. Seatback silencer LH |
| 25. Seatback support LH | 26. Seatback support RH | 27. Seatback center hinge |
| 28. Center seat belt assembly | 29. Anchor bolt | 30. Seat belt buckle |
| 31. ISO FIX tether cover | 32. Center seat belt finisher | 33. Center seat belt cover |
| 34. Seatback frame assembly RH | 35. Seatback frame assembly LH | 36. Seatback lock assembly carpet |
| 37. Seat cushion assembly*2 | | |

 : Pawl

 : Metal clip

 : N·m (kg-m, ft-lb)

O, Δ: Indicates that the part is connected at points with same symbol actual vehicle.

*1: Without heated seat only.

*2: With heated seat only.

SEATBACK

SEATBACK : Removal and Installation

INFOID:000000007633494

REMOVAL

CAUTION:

Remove seatback with seat cushion installed.

Seatback LH

1. Unlock seatback lock assembly.
2. Tilt seatback toward vehicle front, to the position where headrest can be removed, and then remove headrest.
3. Temporarily move seat cushion to the position where center anchor of center seat belts can be removed.
4. Remove center anchor mounting bolt of center seat belt, and then remove center anchor.
5. Return seat cushion to the normal position.
6. Fold seatback toward vehicle front.
7. Pull up seatback carpet, and then remove mounting bolts of seatback center hinge portion.
8. Remove luggage finisher mask. Refer to [INT-37, "LUGGAGE FINISHER MASK : Removal and Installation"](#).
9. Remove mounting nuts of seatback side hinge portion.
10. Remove seatback from the vehicle.

CAUTION:

When removing and installing, use shop cloths to protect parts from damage.

Seatback RH

1. Unlock seatback lock assembly.
2. Tilt seatback toward vehicle front, to the position where headrest can be removed, and then remove headrests.
3. Fold seatback toward vehicle front.
4. Pull up seatback carpet, and then remove mounting bolts of seatback center hinge portion.
5. Remove luggage finisher mask. Refer to [INT-37, "LUGGAGE FINISHER MASK : Removal and Installation"](#).
6. Remove mounting nuts of seatback side hinge portion.
7. Remove seatback from the vehicle.

CAUTION:

When removing and installing, use shop cloths to protect parts from damage.

REAR SEAT

< REMOVAL AND INSTALLATION >

INSTALLATION

Note the following items, and then install in the reverse order of removal.

CAUTION:

- When removing and installing, use shop cloths to protect parts from damage.
- Install seat cushion to the vehicle, and then install seatback.
- Temporary tighten bolts, tilt seatback forward to the seating position. Check that seatback lock and striker do not interfere, and then tighten bolts to the specified torque.

For the specified torque, refer to [SE-29. "Exploded View"](#).

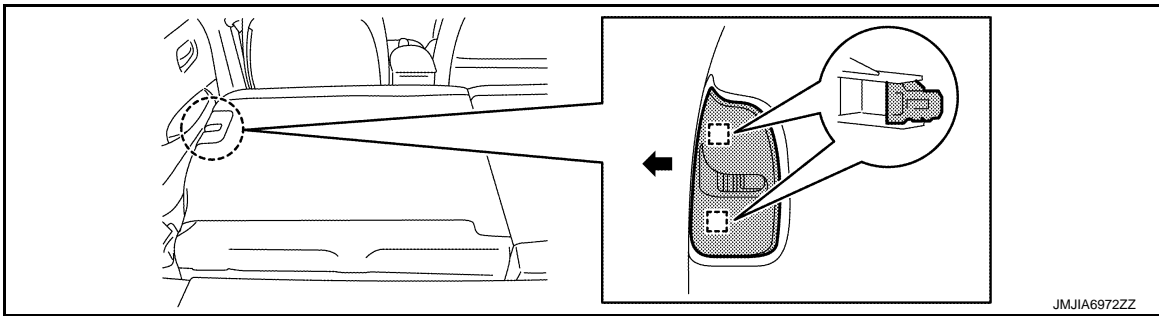
SEATBACK : Disassembly and Assembly


INFOID:000000007633495

DISASSEMBLY

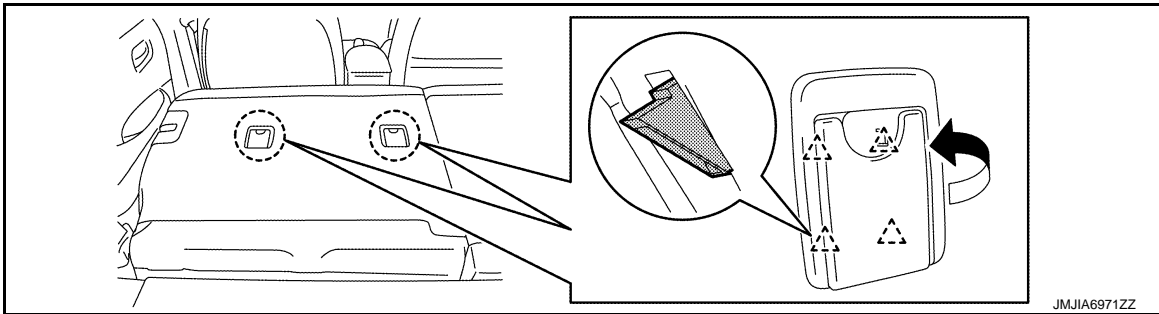
Seatback LH


1. Remove headrest holder.
 - a. Pull seatback lock cover in direction indicated by the arrow as shown in the figure and then remove seatback lock cover LH.



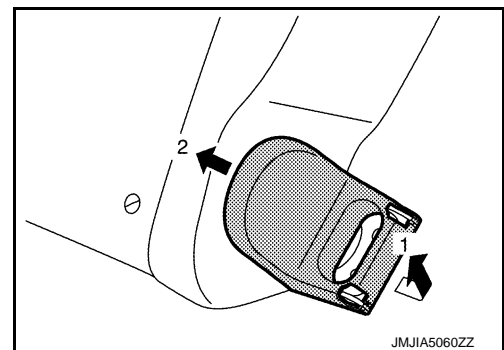
 : Metal clip

- b. Pull ISO FIX tether covers in direction indicated by the arrow as shown in the figure and then remove ISO FIX tether covers.



 : Pawl

- c. Pull side hinge cover according to the numerical order 1 → 2 as shown in the figure and then remove side hinge cover.

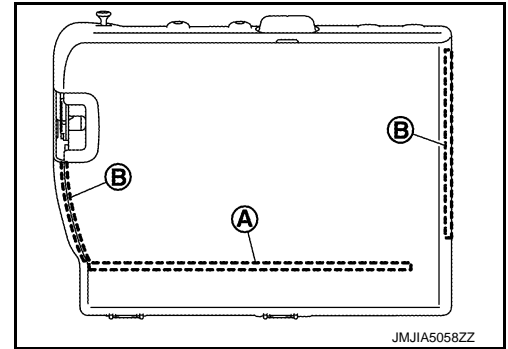


A
B
C
D
E
F
G
H
I
SE
K
L
M
N
O
P

REAR SEAT

< REMOVAL AND INSTALLATION >

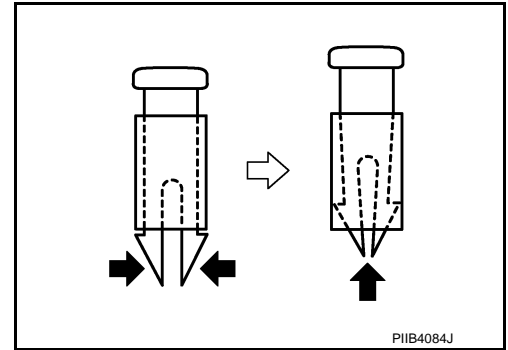
- d. Disengage seatback retainer (A) and open seatback fasteners (B).



- e. Remove seatback support.
f. Use pincers, etc., to press up pawls as shown by the arrows in the figure, and remove headrest holder from seatback.

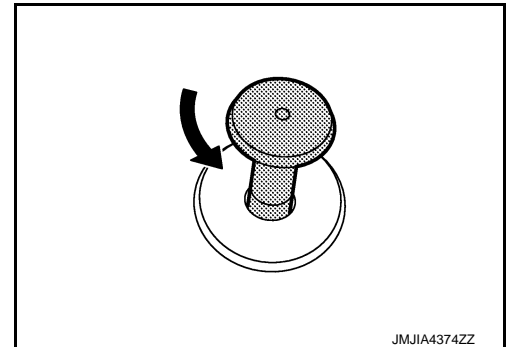
CAUTION:

Before installing headrest holder check its orientation. (front/rear and right/left)



2. Remove seatback lock knob finisher.

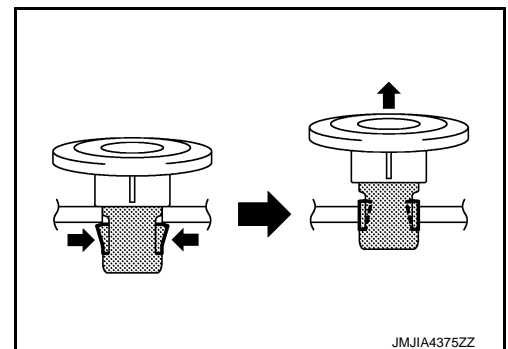
- a. Rotate seatback lock knob counterclockwise, and then remove seatback lock knob.



- b. Push up seatback lock knob finisher while pressing pawls indicated by arrows as shown in the figure. Remove seatback lock finisher from seatback.

CAUTION:

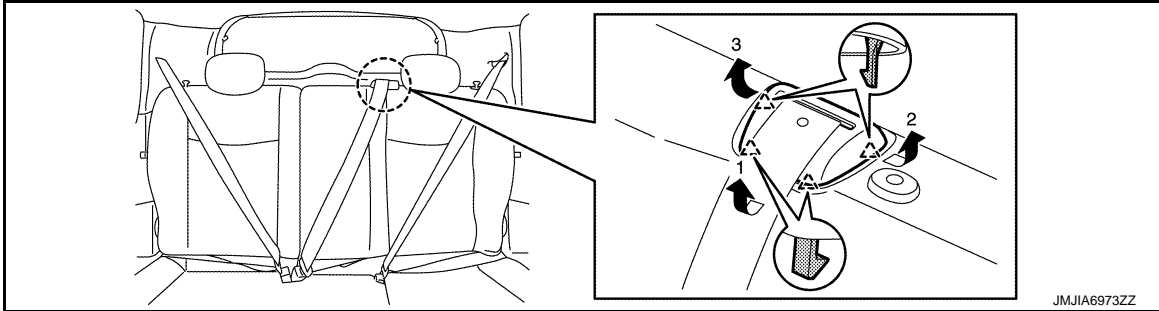
When installing seatback lock knob finisher, check front and rear orientation and be careful to install it normally.




REAR SEAT

< REMOVAL AND INSTALLATION >

3. Remove center seat belt finisher from seatback.



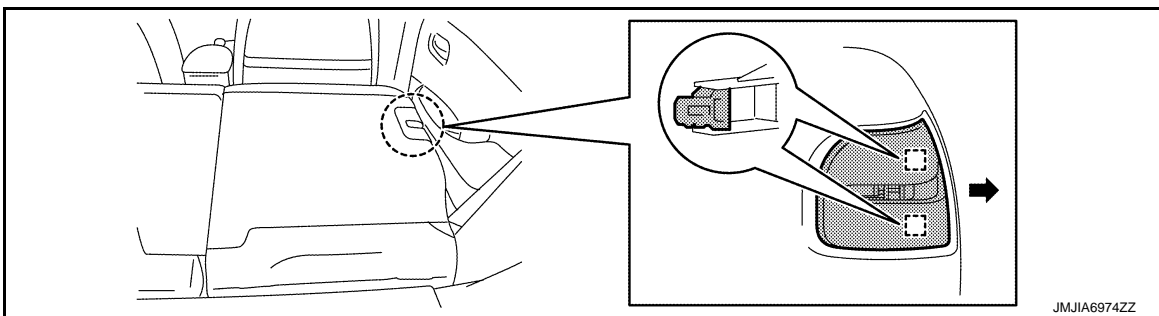
- a. Lift up front of center seat belt finisher, and then disengage front pawls according to the numerical order 1 as shown in the figure.
- b. Pull center seat belt finisher toward seat front, and then disengage rear pawls according to the numerical order 2 → 3 as shown in the figure.


 : Pawl

4. Remove center seat belt lower cover fixing screw.
5. Remove seatback trim, seatback pad and center seat belt lower cover from seatback frame.
6. Remove hog rings, and separate the seatback trim and seatback pad.
- CAUTION:**
Before performing separating operation, check the installation position of hog rings.
7. Remove center seat belt lower cover from seatback pad.
8. Remove seatback silencer from seatback frame.
9. Remove seatback lock assembly mounting bolts, and then remove seatback lock assembly from seatback frame.
10. Remove seatback lock assembly carpet from seatback frame.
11. Remove center seat belt retractor from seatback frame. Refer to [SB-15. "SEAT BELT RETRACTOR : Removal and Installation"](#).

Seatback RH

1. Remove headrest holder.
- a. Pull seatback lock cover in direction indicated by the arrow as shown in the figure and then remove seatback lock cover RH.

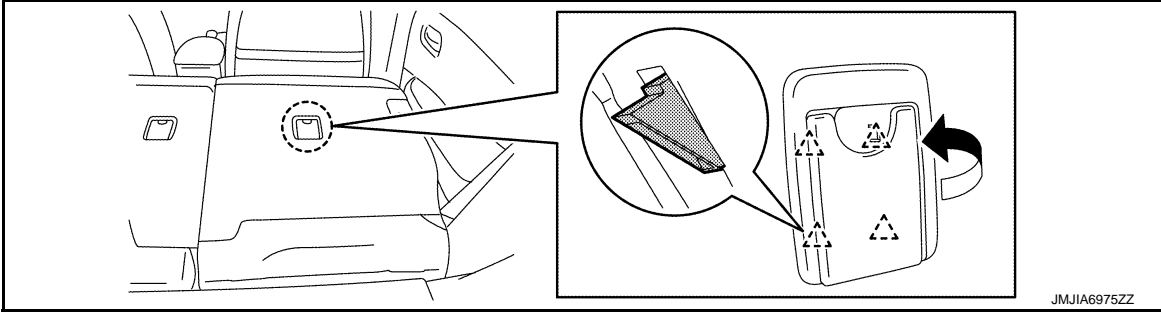



 : Metal clip

REAR SEAT

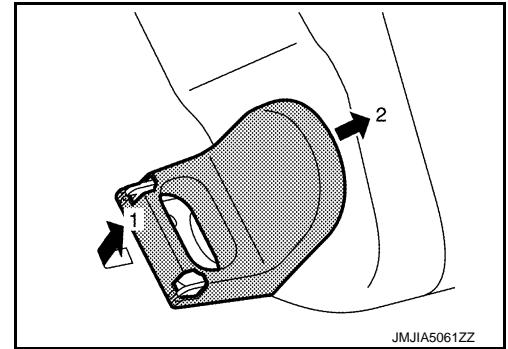
< REMOVAL AND INSTALLATION >

- b. Pull ISO FIX tether cover in direction indicated by the arrow as shown in the figure, and then remove ISO FIX tether cover.

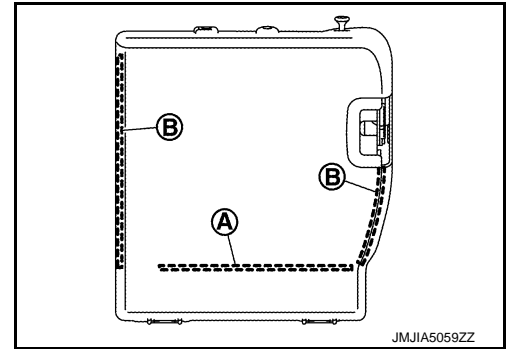


 : Pawl

- c. Pull side hinge cover according to the numerical order 1 → 2 as shown in the figure and then remove side hinge cover.

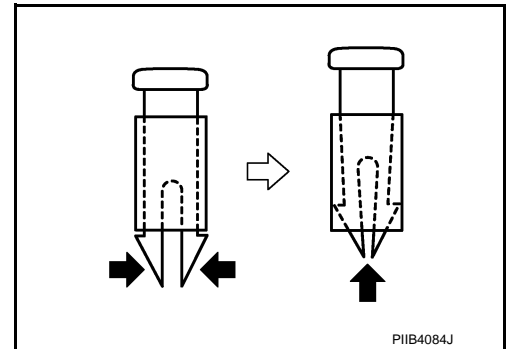


- d. Disengage seatback retainer (A) and open seatback fasteners (B).



- e. Remove seatback support.
f. Use pincers, etc., to press up pawls as shown by the arrows in the figure, and remove headrest holder from seatback.

CAUTION:
Before installing headrest holder check its orientation.
(front/rear and right/left)

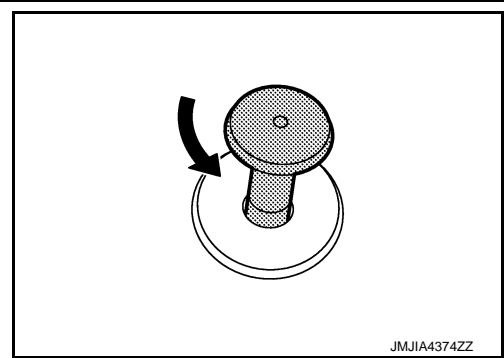


2. Remove seatback lock knob finisher.

REAR SEAT

< REMOVAL AND INSTALLATION >

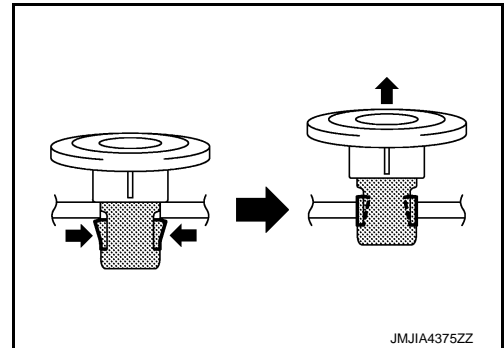
- a. Rotate seatback lock knob counterclockwise, and then remove seatback lock knob.



- b. Push up seatback lock knob finisher while pressing pawls indicated by arrows as shown in the figure. Remove seatback lock finisher from seatback.

CAUTION:

When installing seatback lock knob finisher, check front and rear orientation and be careful to install it normally.



3. Remove seatback trim and seatback pad from seatback frame.
4. Remove hog rings, and separate the seatback trim and seatback pad.
CAUTION:
Before performing separating operation, check the installation position of hog rings.
5. Remove seatback silencer from seatback frame.
6. Remove seatback lock assembly mounting bolts, and then remove seatback lock assembly from seatback frame.
7. Remove seatback lock assembly carpet from seatback frame.

ASSEMBLY

Note the following items, and then assemble in the reverse order of disassembly.

CAUTION:

- Check seatback trim and seatback pad for damage. Replace with new part if necessary.
- Always install the hog ring in position.
- If crimping by a hog ring is unsuccessful, fix using a new hog ring.

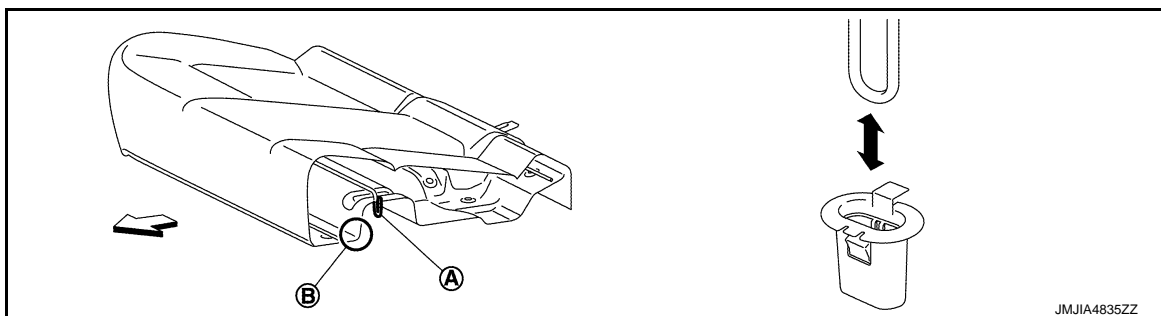
SEAT CUSHION

SEAT CUSHION : Removal and Installation

INFOID:000000007633496

REMOVAL

1. Lift up seat cushion at a close position (B) of engaging portion (A) and disengage seat cushion hook.



← : Vehicle front

REAR SEAT

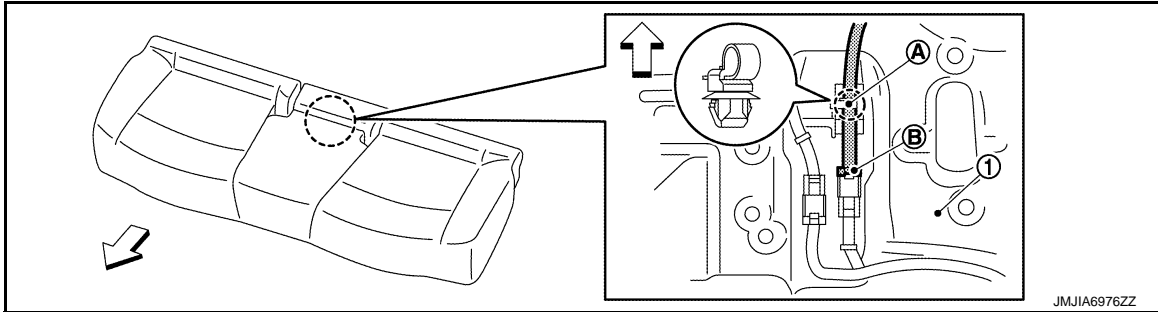
< REMOVAL AND INSTALLATION >

CAUTION:

Seat cushion wire close to engaging portion deforms, if excessive force is applied to seat cushion front end when removing seat cushion.

To avoid the deformation, be careful to remove seat cushion while applying force to close position, as much as possible, of engaging portion.

2. Pull out seat belt buckle from seat cushion.
3. Lift up seat cushion (1), and then disengage heated seat harness clip (A) and disconnect heated seat harness connector (B) (with heated seat only).



↔ : Vehicle front

4. Remove seat cushion from the vehicle.

CAUTION:

When removing and installing, use shop cloths to protect parts from damage.

INSTALLATION

Note the following item, and then install in the reverse order of removal.

CAUTION:

When removing and installing, use shop cloths to protect parts from damage.

SEAT CUSHION : Disassembly and Assembly

INFOID:000000007633497

DISASSEMBLY

Remove hog rings, and separate the seat cushion trim and seat cushion pad (without rear heated seat).

CAUTION:

Before performing separating operation, check the installation position of hog rings.

ASSEMBLY

Note the following items, and then assemble in the reverse order of disassembly.

CAUTION:

- Check seat cushion trim and seat cushion pad for damage. Replace with new part if necessary.
- Always install the hog ring in position.
- If crimping by a hog ring is unsuccessful, fix using a new hog ring.

SEATBACK HINGE

SEATBACK HINGE : Removal and Installation

INFOID:000000007633498

CENTER HINGE

Removal

1. Remove seatback LH and RH from the vehicle. Refer to [SE-30. "SEATBACK : Removal and Installation"](#).
2. Remove seat cushion from the vehicle. Refer to [SE-35. "SEAT CUSHION : Removal and Installation"](#).
3. Remove center hinge mounting bolts, and then remove center hinge from the vehicle.

Installation

Note the following items, and then install in the reverse order of removal.

CAUTION:

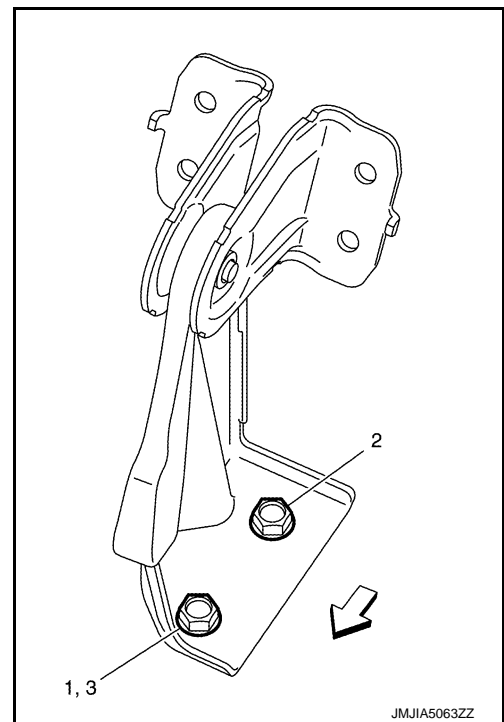
When installing center hinge, tighten mounting bolts to the specified torque according to the numerical order as shown in the figure

REAR SEAT

< REMOVAL AND INSTALLATION >

1. Temporarily tighten mounting bolt (1).
2. Tighten mounting bolts in numerical order (2 and 3 as shown in the figure) to the specified torque.
For the specified torque, refer to [SE-29, "Exploded View"](#).

← : Vehicle front



SIDE HINGE

Removal

1. Remove seatback from the vehicle. Refer to [SE-30, "SEATBACK : Removal and Installation"](#).
2. Remove side hinge mounting bolt, and then remove side hinge from luggage side lower finisher.

Installation

Note the following items, and then install in the reverse order of removal.

CAUTION:

**Tighten side hinge mounting bolts to the specified torque.
For the specified torque, refer to [SE-29, "Exploded View"](#).**

SEATBACK STRIKER

SEATBACK STRIKER : Removal and Installation

INFOID:000000007633499

REMOVAL

1. Remove seatback from the vehicle. Refer to [SE-30, "SEATBACK : Removal and Installation"](#).
2. Remove seat cushion from the vehicle. Refer to [SE-35, "SEAT CUSHION : Removal and Installation"](#).
3. Remove mounting anchor bolts of outer anchor of seat belt, and then remove outer anchor.
4. Remove luggage side lower finisher from the vehicle. Refer to [INT-38, "LUGGAGE SIDE LOWER FINISHER : Removal and Installation"](#).
5. Remove mounting bolts of striker, and then remove striker from the vehicle.

INSTALLATION

Note the following item, and then install in the reverse order of removal.

CAUTION:

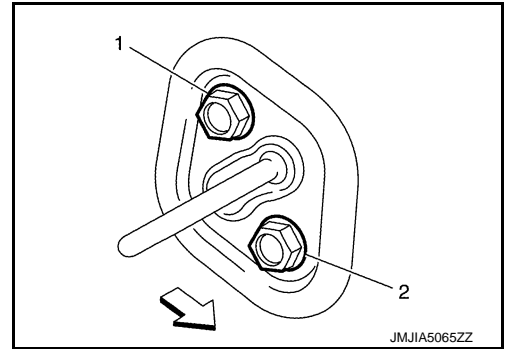
**When installing striker, tighten mounting bolts to the specified torque according to the numerical order as shown in the figure.
For the specified torque, refer to [SE-29, "Exploded View"](#).**

REAR SEAT

< REMOVAL AND INSTALLATION >

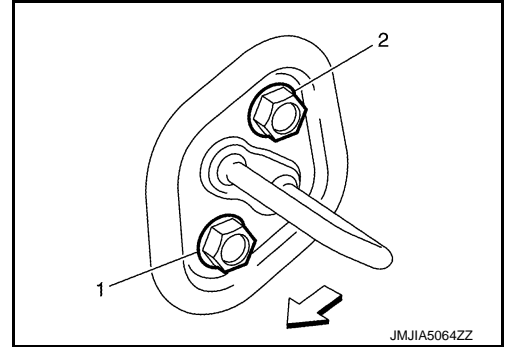
• LH side

← : Vehicle front



• RH side

← : Vehicle front



HEATED SEAT SWITCH

< REMOVAL AND INSTALLATION >

HEATED SEAT SWITCH FRONT

FRONT : Removal and Installation


INFOID:000000007633500

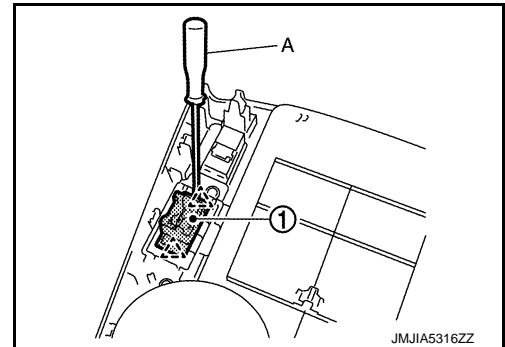
REMOVAL

CAUTION:

When removing and installing, use shop cloths to protect parts from damage.

1. Remove console finisher assembly from center console assembly. Refer to [JP-27, "Removal and Installation"](#).
2. Disengage the heated seat switch (1) fixing pawl using remover tool, and remove heated seat switch from console finisher assembly.

 : Pawl



INSTALLATION

Install on the reverse order of removal.

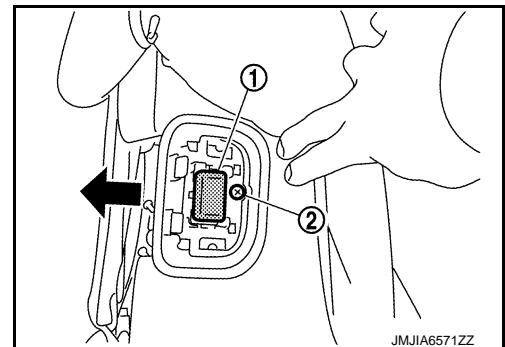
REAR

REAR : Removal and Installation


INFOID:000000007633501

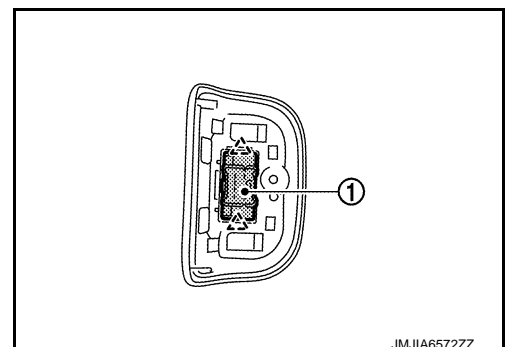
REMOVAL

1. Remove seatback upper finisher from the passenger seat. Refer to [SE-23, "SEATBACK : Disassembly and Assembly"](#).
2. Disconnect rear heated seat switch (1) connector.
3. Remove switch finisher mounting screw (2).
4. Pull switch finisher in the direction of the arrow as shown in the figure, to remove it from seatback.



5. Remove rear heated seat switch (1) from switch finisher.

 : Pawl



INSTALLATION

Install on the reverse order of removal.