

# SECTION **HCO**

## HIGH VOLTAGE COOLING SYSTEM

A  
B  
**HCO**

### CONTENTS

<b>PRECAUTION</b> .....	<b>PERIODIC MAINTENANCE</b> .....	F
<b>PRECAUTIONS</b> .....	<b>COOLANT</b> .....	G
Precaution for Technicians Using Medical Electric.....	Inspection .....	
Point to Be Checked Before Starting Maintenance	Draining .....	
Work .....	Refilling .....	
Precaution for Supplemental Restraint System	<b>RESERVOIR TANK CAP</b> .....	H
(SRS) "AIR BAG" and "SEAT BELT PRE-TENSIONER" .....	Inspection .....	
Precautions for Removing of Battery Terminal .....	<b>REMOVAL AND INSTALLATION</b> .....	I
<b>PREPARATION</b> .....	<b>RADIATOR</b> .....	J
<b>PREPARATION</b> .....	Exploded View .....	
Commercial Service Tools .....	Removal and Installation .....	
<b>SYSTEM DESCRIPTION</b> .....	Inspection .....	K
<b>COMPONENT PARTS</b> .....	<b>COOLING FAN</b> .....	L
Radiator .....	Exploded View .....	
Cooling fan (electric fan) .....	Removal and Installation .....	
Electric water pump .....	Disassembly and Assembly .....	M
<b>SYSTEM</b> .....	<b>ELECTRIC WATER PUMP</b> .....	N
High Voltage Cooling System .....	Exploded View .....	
<b>BASIC INSPECTION</b> .....	Removal and Installation .....	O
<b>RADIATOR</b> .....	<b>SERVICE DATA AND SPECIFICATIONS</b>	P
Inspection .....	<b>(SDS)</b> .....	
<b>SYMPTOM DIAGNOSIS</b> .....	<b>SERVICE DATA AND SPECIFICATIONS</b>	
<b>OVERHEATING CAUSE ANALYSIS</b> .....	<b>(SDS)</b> .....	
Troubleshooting Chart .....	Periodical Maintenance Specification .....	

# PRECAUTIONS

< PRECAUTION >

## PRECAUTION

### PRECAUTIONS

#### Precaution for Technicians Using Medical Electric

INFOID:000000009345785

##### OPERATION PROHIBITION

###### **WARNING:**

- Parts with strong magnet is used in this vehicle.
- Technicians using a medical electric device such as pacemaker must never perform operation on the vehicle, as magnetic field can affect the device function by approaching to such parts.

##### NORMAL CHARGE PRECAUTION

###### **WARNING:**

- If a technician uses a medical electric device such as an implantable cardiac pacemaker or an implantable cardioverter defibrillator, the possible effects on the devices must be checked with the device manufacturer before starting the charge operation.
- As radiated electromagnetic wave generated by PDM (Power Delivery Module) at normal charge operation may affect medical electric devices, a technician using a medical electric device such as implantable cardiac pacemaker or an implantable cardioverter defibrillator must not approach motor room [PDM (Power Delivery Module)] at the hood-opened condition during normal charge operation.

##### PRECAUTION AT TELEMATICS SYSTEM OPERATION

###### **WARNING:**

- If a technician uses implantable cardiac pacemaker or implantable cardioverter defibrillator (ICD), avoid the device implanted part from approaching within approximately 220 mm (8.66 in) from interior/exterior antenna.
- The electromagnetic wave of TCU might affect the function of the implantable cardiac pacemaker or the implantable cardioverter defibrillator (ICD), when using the service, etc.
- If a technician uses other medical electric devices than implantable cardiac pacemaker or implantable cardioverter defibrillator (ICD), the electromagnetic wave of TCU might affect the function of the device. The possible effects on the devices must be checked with the device manufacturer before TCU use.

##### PRECAUTION AT INTELLIGENT KEY SYSTEM OPERATION

###### **WARNING:**

- If a technician uses implantable cardiac pacemaker or implantable cardioverter defibrillator (ICD), avoid the device implanted part from approaching within approximately 220 mm (8.66 in) from interior/exterior antenna.
- The electromagnetic wave of Intelligent Key might affect the function of the implantable cardiac pacemaker or the implantable cardioverter defibrillator (ICD), at door operation, at each request switch operation, or at engine starting.
- If a technician uses other medical electric devices than implantable cardiac pacemaker or implantable cardioverter defibrillator (ICD), the electromagnetic wave of Intelligent Key might affect the function of the device. The possible effects on the devices must be checked with the device manufacturer before Intelligent Key use.

#### Point to Be Checked Before Starting Maintenance Work

INFOID:000000008744042

The high voltage system may starts automatically. It is required to check that the timer air conditioner and timer charge (during EVSE connection) are not set before starting maintenance work.

###### **NOTE:**

If the timer air conditioner or timer charge (during EVSE connection) is set, the high voltage system starts automatically even when the power switch is in OFF state.

#### Precaution for Supplemental Restraint System (SRS) "AIR BAG" and "SEAT BELT PRE-TENSIONER"

INFOID:000000008744043

The Supplemental Restraint System such as "AIR BAG" and "SEAT BELT PRE-TENSIONER", used along with a front seat belt, helps to reduce the risk or severity of injury to the driver and front passenger for certain types of collision. This system includes seat belt switch inputs and dual stage front air bag modules. The SRS

# PRECAUTIONS

## < PRECAUTION >

system uses the seat belt switches to determine the front air bag deployment, and may only deploy one front air bag, depending on the severity of a collision and whether the front occupants are belted or unbelted. Information necessary to service the system safely is included in the "SRS AIR BAG" and "SEAT BELT" of this Service Manual.

### **WARNING:**

Always observe the following items for preventing accidental activation.

- To avoid rendering the SRS inoperative, which could increase the risk of personal injury or death in the event of a collision that would result in air bag inflation, all maintenance must be performed by an authorized NISSAN/INFINITI dealer.
- Improper maintenance, including incorrect removal and installation of the SRS, can lead to personal injury caused by unintentional activation of the system. For removal of Spiral Cable and Air Bag Module, see "SRS AIR BAG".
- Never use electrical test equipment on any circuit related to the SRS unless instructed to in this Service Manual. SRS wiring harnesses can be identified by yellow and/or orange harnesses or harness connectors.

## PRECAUTIONS WHEN USING POWER TOOLS (AIR OR ELECTRIC) AND HAMMERS

### **WARNING:**

Always observe the following items for preventing accidental activation.

- When working near the Air Bag Diagnosis Sensor Unit or other Air Bag System sensors with the power switch ON, never use air or electric power tools or strike near the sensor(s) with a hammer. Heavy vibration could activate the sensor(s) and deploy the air bag(s), possibly causing serious injury.
- When using air or electric power tools or hammers, always switch the power switch OFF, disconnect the 12V battery, and wait at least 3 minutes before performing any service.

## Precautions for Removing of Battery Terminal

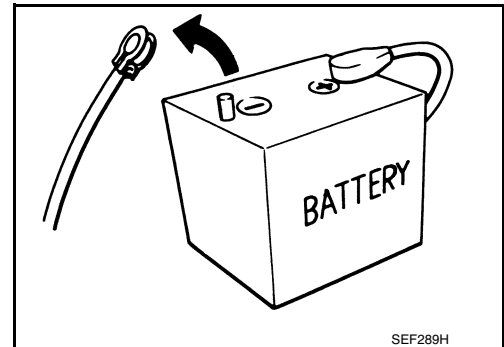
INFOID:000000008744044

- When removing the 12V battery terminal, turn OFF the power switch and wait at least 5 minutes.

### **NOTE:**

ECU may be active for several minutes after the power switch is turned OFF. If the battery terminal is removed before ECU stops, then a DTC detection error or ECU data corruption may occur.

- Always disconnect the battery terminal within 60 minutes after turning OFF the power switch. Even when the power switch is OFF, the 12V battery automatic charge control may automatically start after a lapse of 60 minutes from power switch OFF.
- Disconnect 12V battery terminal according to the following steps.



## WORK PROCEDURE

1. Check that EVSE is not connected.

### **NOTE:**

If EVSE is connected, the air conditioning system may be automatically activated by the timer A/C function.

2. Turn the power switch OFF → ON → OFF. Get out of the vehicle. Close all doors (including back door).
3. Check that the charge status indicator lamp does not blink and wait for 5 minutes or more.

### **NOTE:**

If the battery is removed within 5 minutes after the power switch is turned OFF, plural DTCs may be detected.

4. Remove 12V battery terminal within 60 minutes after turning the power switch OFF → ON → OFF.

### **CAUTION:**

- After all doors (including back door) are closed, if a door (including back door) is opened before battery terminals are disconnected, start over from Step 1.
- After turning the power switch OFF, if "Remote A/C" is activated by user operation, stop the air conditioner and start over from Step 1.

### **NOTE:**

Once the power switch is turned ON → OFF, the 12V battery automatic charge control does not start for approximately 1 hour.

## PRECAUTIONS

### < PRECAUTION >

---

- For vehicles with the 2-batteries, be sure to connect the main battery and the sub battery before turning ON the power switch.

**NOTE:**

If the power switch is turned ON with any one of the terminals of main battery and sub battery disconnected, then DTC may be detected.

- After installing the 12V battery, always check "Self Diagnosis Result" of all ECUs and erase DTC.

**NOTE:**

The removal of 12V battery may cause a DTC detection error.

# PREPARATION

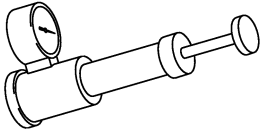
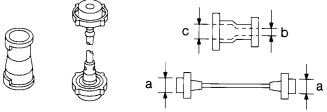
< PREPARATION >

## PREPARATION

### PREPARATION

#### Commercial Service Tools

INFOID:000000008744045

Tool name	Description
<p>Radiator cap tester</p>  <p>PBIC1982E</p>	<p>Cooling system leakage test</p>
<p>Radiator cap tester adapter</p>  <p>S-NT564</p>	<p>Adapting radiator cap tester to degas tank  <b>a: 28 (1.10) dia.</b>  <b>b: 31.4 (1.236) dia.</b>  <b>c: 41.3 (1.626) dia.</b>                      Unit: mm (in)</p>

A

B

HCO

D

E

F

G

H

I

J

K

L

M

N

O

P

# COMPONENT PARTS

< SYSTEM DESCRIPTION >

## SYSTEM DESCRIPTION

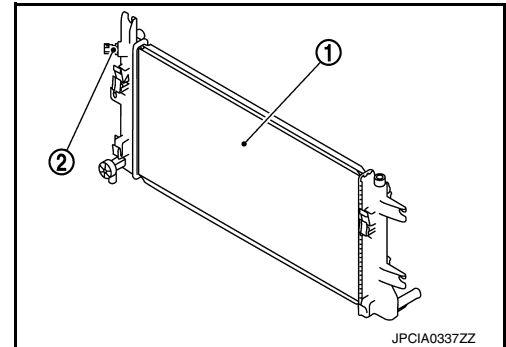
### COMPONENT PARTS

#### Radiator

INFOID:000000008744046

- This radiator is a side-flow type and made of aluminum.
- The radiator side tank has a water temperature sensor.

- ① : Radiator assembly
- ② : Water temperature sensor



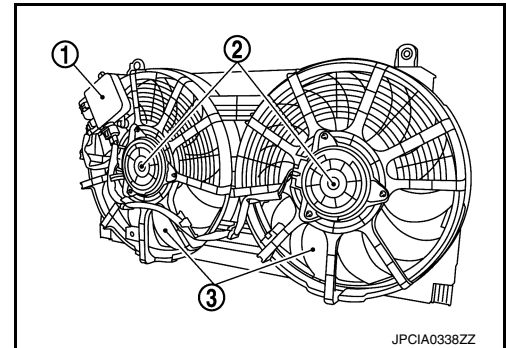
#### Cooling fan (electric fan)

INFOID:000000008744047

- This cooling fan has a resin shroud.

- ① : Cooling fan control module
- ② : Cooling fan motor
- ③ : Cooling fan

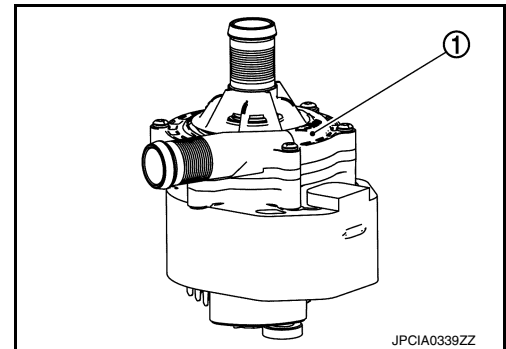
- The installation of shroud to the cooling fan control module allows the controlling of cooling fan motor revolutions.
- The cooling fan control module is controlled by a control signal transmitted from VCM (Vehicle Control Module), according to a coolant temperature, vehicle speed, and request from air conditioner.



#### Electric water pump

INFOID:000000008744048

- An electric water pump ① is used.
- It is installed at the bottom of the reservoir tank on the right side of the motor room.
- An electric water pump is installed in the coolant circuit, and the VCM (Vehicle Control Module) controls the coolant flow according to the coolant temperature and vehicle speed.



# SYSTEM

< SYSTEM DESCRIPTION >

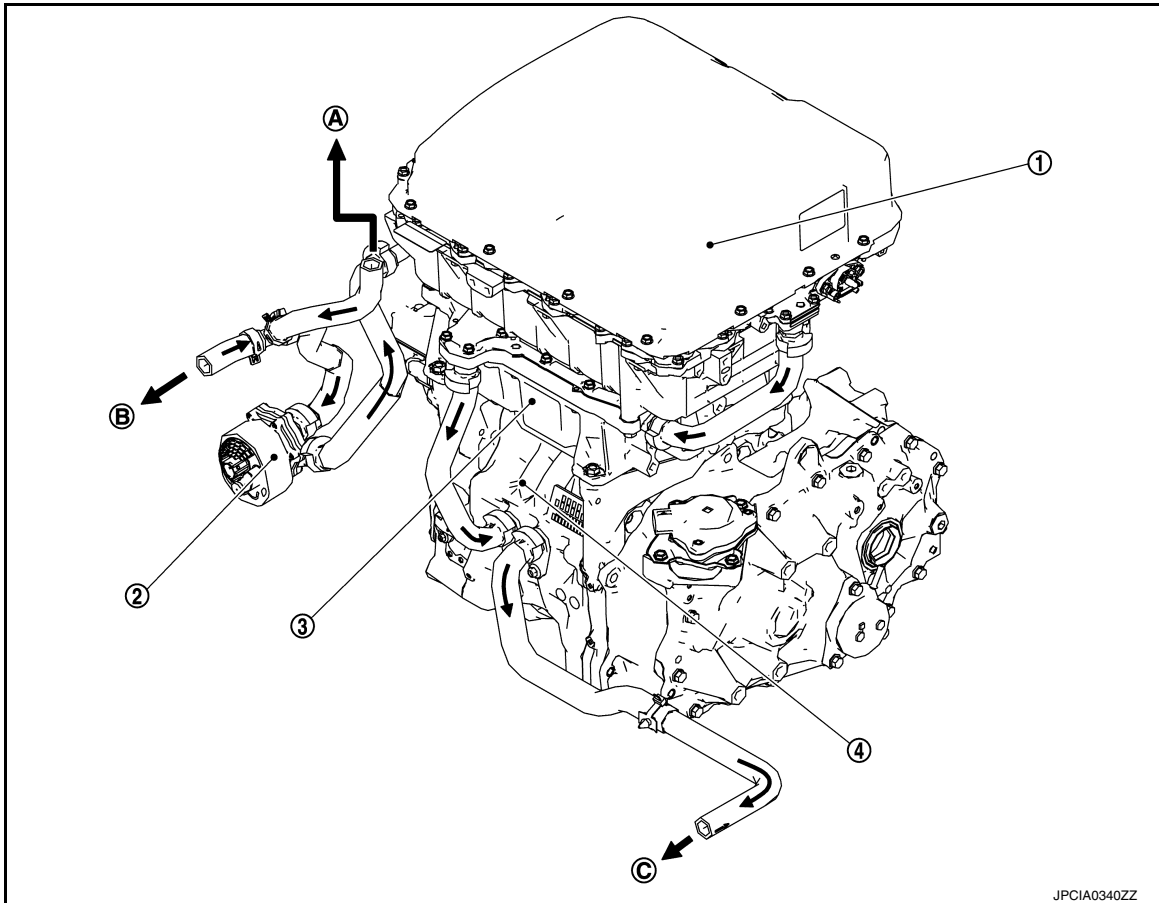
## SYSTEM

### High Voltage Cooling System

INFOID:000000008744049

- The HV cooling system is the system which cools the following high-voltage components.
  - Traction motor
  - Traction motor inverter
  - PDM (Power Delivery Module)
- Coolant is circulated by means of the electric water pump, and the electric water pump is controlled by the VCM (Vehicle Control Module).

### COOLING SYSTEM DIAGRAM

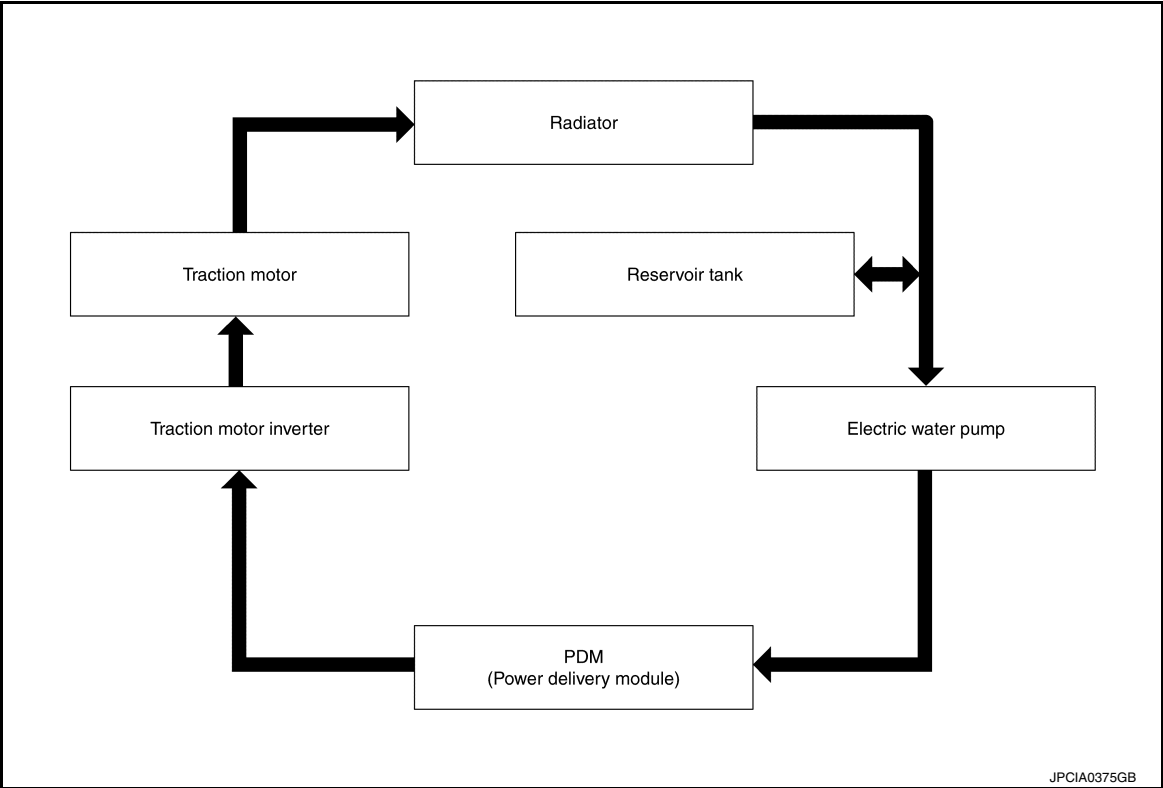


- |                               |                       |                           |
|-------------------------------|-----------------------|---------------------------|
| ① PDM (Power Delivery Module) | ② Electric water pump | ③ Traction motor inverter |
| ④ Traction motor              |                       |                           |
| Ⓐ To reservoir tank           | Ⓑ To radiator         | Ⓒ To radiator             |

# SYSTEM

< SYSTEM DESCRIPTION >

## HIGH VOLTAGE COOLING SYSTEM SCHEMATIC





# RADIATOR

< BASIC INSPECTION >

## BASIC INSPECTION

### RADIATOR

#### Inspection

INFOID:000000008744050

Check radiator for mud or clogging. If necessary, clean radiator as follows.

**CAUTION:**

- **Be careful not to bend or damage radiator fins.**
- **When radiator is cleaned without removal, remove all surrounding parts such as radiator cooling fan assembly and horns. Then tape harness and harness connectors to prevent water from entering.**

1. Apply water by hose to the back side of the radiator core vertically downward.
2. Apply water again to all radiator core surfaces once per minute.
3. Stop washing if any stains no longer flow out from radiator.
4. Blow air into the back side of radiator core vertically downward.
  - Use compressed air lower than 490 kPa (5 kg/cm<sup>2</sup>, 71 psi) and keep distance more than 30 cm (11.81 in).
5. Blow air again into all the radiator core surfaces once per minute until no water sprays out.

A

B

HCO

D

E

F

G

H

I

J

K

L

M

N

O

P

# OVERHEATING CAUSE ANALYSIS

< SYMPTOM DIAGNOSIS >

## SYMPTOM DIAGNOSIS

### OVERHEATING CAUSE ANALYSIS

#### Troubleshooting Chart

INFOID:000000008744051

Symptom		Check items		
Cooling system parts malfunction	Poor heat transfer	Water pump malfunction	—	
		Damaged fins	Dust contamination or paper clogging	
			Physical damage	
	Clogged radiator cooling tube	Excess foreign material (rust, dirt, sand, etc.)		
	Reduced air flow	Cooling fan does not operate	Fan assembly	
		High resistance to fan rotation		
		Damaged fan blades		
	Damaged radiator shroud		—	
	Improper coolant mixture ratio		—	
	Poor coolant quality		Coolant viscosity	
	Insufficient coolant	Coolant leakage	Cooling hose	Loose clamp
				Cracked hose
			Water pump	Poor sealing
			Degas tank cap	Loose
Poor sealing				
Radiator			O-ring for damage, deterioration or improper fitting	
			Cracked radiator tank	
			Cracked radiator core	
Reservoir tank	Cracked reservoir tank			
Degas tank	Cracked degas tank			
Except cooling system parts malfunction	Blocked or restricted air flow	Blocked bumper	—	
		Blocked radiator grille	Installed car brassiere	
			Mud contamination or paper clogging	
		Blocked radiator	—	
		Blocked condenser	Blocked air flow	
		Installed large fog lamp		

# COOLANT

< PERIODIC MAINTENANCE >

## PERIODIC MAINTENANCE

### COOLANT

#### Inspection

INFOID:000000008744052

#### COOLANT AMOUNT INSPECTION

- When coolant temperature is low (about 50°C or less), confirm that the coolant level of the reservoir tank is in the range from MIN to MAX.

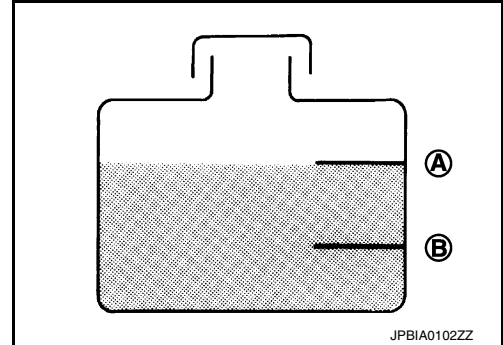
Ⓐ : MAX

Ⓑ : MIN

- Adjust level if it is outside the range.

#### CAUTION:

- Refill Genuine NISSAN Long Life Antifreeze/Coolant (blue) or equivalent in its quality mixed with water (distilled or demineralized). Refer to MA-12, "Fluids and Lubricants"
- Confirm that the reservoir tank cap is tightened.



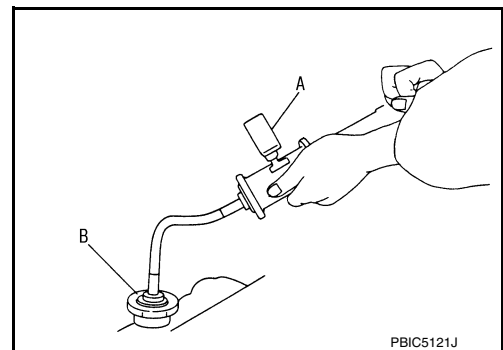
#### LEAKAGE CHECK

- Apply pressure to the cooling system using radiator cap tester (A) (commercial service tool). Check system for coolant leakage.

Maximum pressure : Refer to HCO-27, "Periodical Maintenance Specification".

#### CAUTION:

- Remove the degas tank cap when coolant temperature is low.
- Perform the inspection with the radiator filled with water.
- Use hose adapter (B) (commercial service tool) between radiator cap tester (A) (commercial service tool) and the filler neck so that the degas tank filler neck is not deformed.
- Be sure to observe the maximum pressure standards. Otherwise, radiator may be damaged.
- If there is a malfunction, repair and replace applicable part.



#### Draining

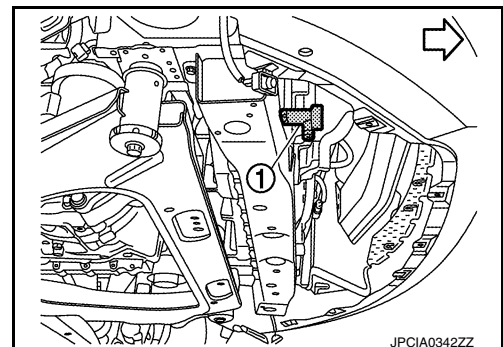
INFOID:000000008744053

#### CAUTION:

- Be sure to drain when coolant temperature is cold.
- This should be performed so that coolant does not come in contact with surrounding parts.

- Remove Li-ion battery undercover.
- Remove radiator drain plug ①, and drain coolant.

↔ : Vehicle front



- Remove reservoir tank and drain the coolant as per the following procedure.
  - Remove radiator upper grille cover.
  - Remove water hose (reservoir tank side) and reservoir tank mounting bolts.

# COOLANT

< PERIODIC MAINTENANCE >

## Refilling

INFOID:000000009296896

### REFILLING

#### CAUTION:

- Do not reuse O-rings.
- Do not put additive such as waterleak preventive, since it may cause cooling waterway clogging.
- When refilling use Genuine NISSAN Long Life Antifreeze/Coolant (blue) or equivalent in its quality mixed with water (distilled or demineralized). Refer to [MA-12, "Fluids and Lubricants"](#)

1. Install reservoir tank if removed and radiator drain plug.

#### CAUTION:

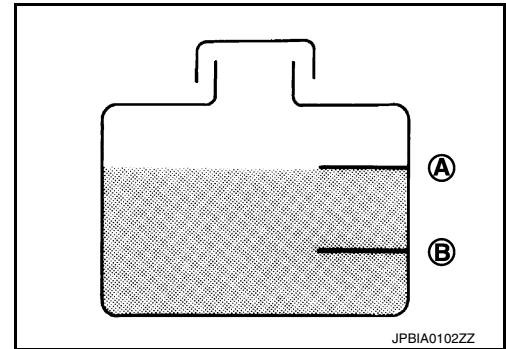
Be sure to clean drain plug and install with new O-ring.

**Radiator drain plug** : Refer to [HCO-14, "Exploded View"](#).

2. Check that each hose clamp has been firmly tightened.
3. Refill reservoir tank to "MAX" level line with engine coolant.

Ⓐ : MAX

Ⓑ : MIN



4. Install reservoir tank cap.
5. Set the vehicle to READY and operate the electric water pump.
6. If reservoir tank fluid level drops, set the vehicle in READY OFF state and fill with coolant to the "MAX" line of the reservoir tank.
7. Repeat from Step 4 to 7 until the reservoir tank fluid level stops dropping.
8. Operate the electrically-controlled water pump for approximately 10 minutes with the vehicle set in READY state, and check that the reservoir tank fluid level does not drop.
9. If reservoir tank fluid level drops, repeat from Step 4 to 7.

### CHECK WATER FLOW SOUND

#### CAUTION:

Prior to check, be sure to close windows, doors, and hood, and turn off audio system and other electrical loads.

1. Set the vehicle to READY and operate the electric water pump.
2. Operate the electric water pump for 1 minute.
3. Check if water flow sound can be heard from the back of the compartment (near the on board charger).
4. If water flow sound is heard, operate the electric water pump until it cannot be heard.
5. When water flow sound cannot be heard, fill the reservoir tank up to "MAX" line.

#### CAUTION:

- Insufficient coolant may cause low power or stop of vehicle due to insufficient cooling of the traction motor inverter. Be sure to bleed air thoroughly.
- Never operate the electric water pump without coolant.

# RESERVOIR TANK CAP

< PERIODIC MAINTENANCE >

## RESERVOIR TANK CAP

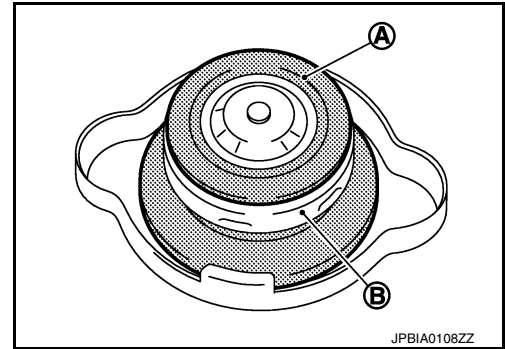
### Inspection

INFOID:000000009296898

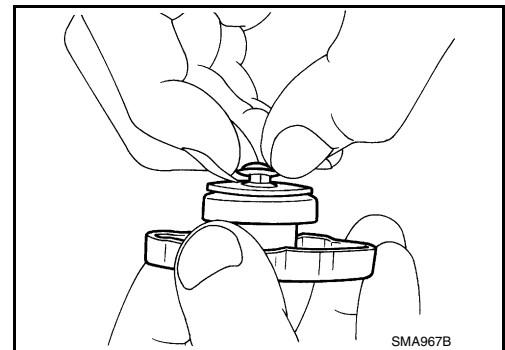
- Check valve seat (A) of reservoir tank cap.

(B) : Metal plunger

- Check that valve seat is swollen to the extent that the edge of the plunger cannot be seen when watching it vertically from the top.
- Check that valve seat has no soil and damage.



- Pull negative-pressure valve to open it, and that it close completely when released.
- Check that there is no dirt or damage on the valve seat of reservoir tank cap negative-pressure valve.
- Check that there are no unusualness in the opening and closing conditions of negative-pressure valve.

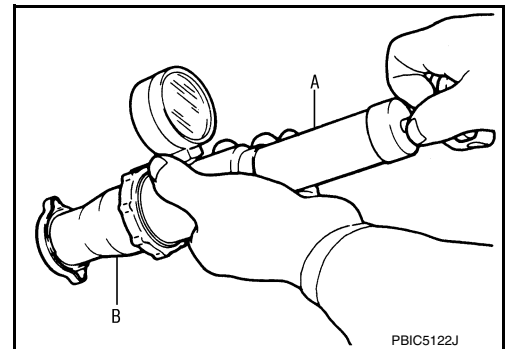


- Check reservoir tank cap relief pressure.

**Standard**

**: Refer to [HCO-27, "Periodical Maintenance Specification"](#).**

- When connecting reservoir tank cap to the radiator cap tester (commercial service tool) (A) and the radiator cap tester adapter (commercial service tool) (B), apply engine coolant to the cap seal surface.



- Replace reservoir tank cap if there is an unusualness related to the above three.

# RADIATOR

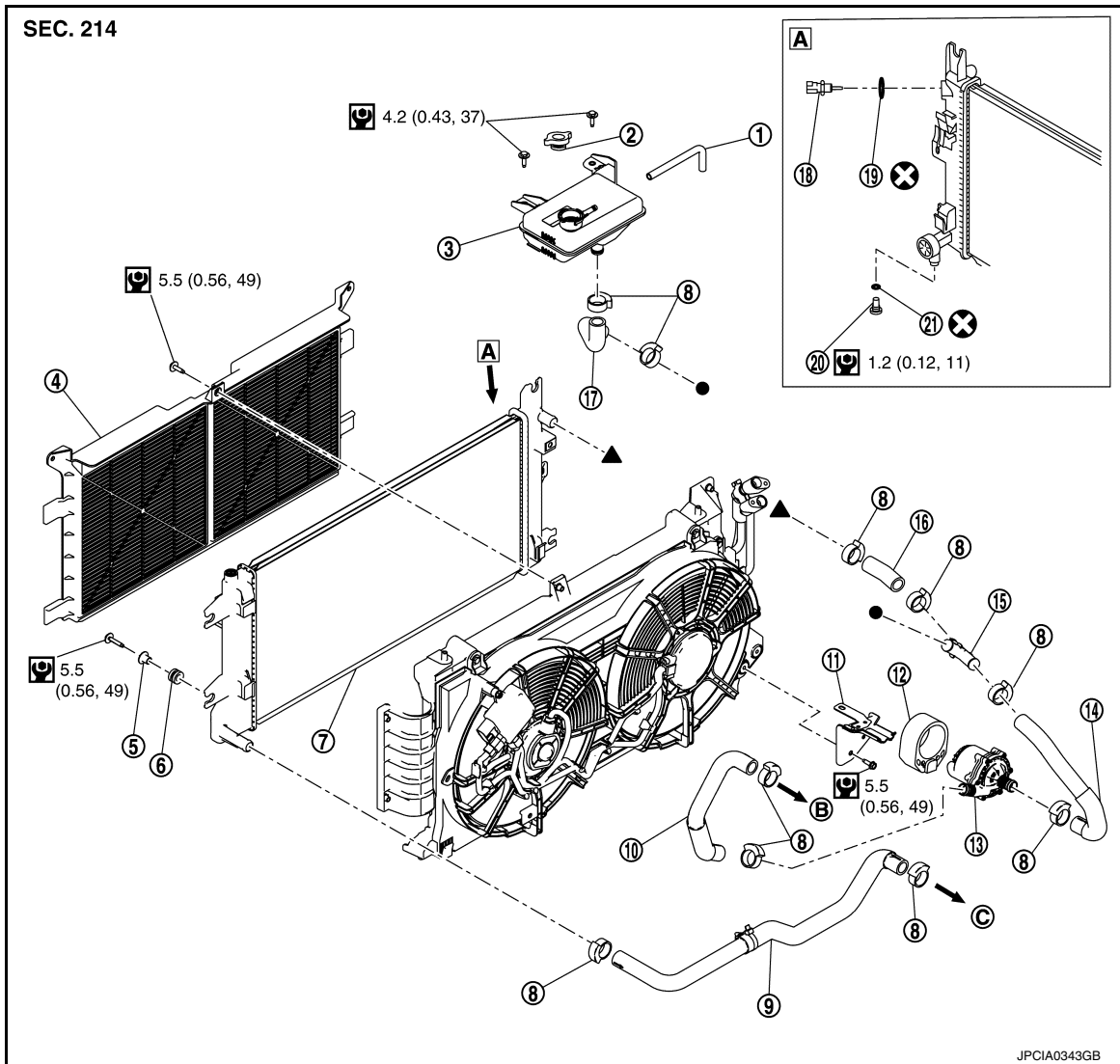
< REMOVAL AND INSTALLATION >

## REMOVAL AND INSTALLATION

### RADIATOR

Exploded View

INFOID:000000009296904



- |                               |                                  |                                     |
|-------------------------------|----------------------------------|-------------------------------------|
| ① Reservoir tank hose         | ② Reservoir tank cap             | ③ Reservoir tank                    |
| ④ Chipping guard              | ⑤ Collar                         | ⑥ Bushing                           |
| ⑦ Radiator                    | ⑧ Clamp                          | ⑨ Radiator hose (lower)             |
| ⑩ Water hose                  | ⑪ Pump bracket                   | ⑫ Mount rubber                      |
| ⑬ Electric water pump         | ⑭ Radiator hose (upper rear)     | ⑮ Water hose adapter                |
| ⑯ Radiator hose (upper front) | ⑰ Water hose                     | ⑱ Engine coolant temperature sensor |
| ⑲ Gasket                      | ⑳ Drain plug                     | ㉑ O-ring                            |
| Ⓐ Arrow view                  | Ⓑ To PDM (Power Delivery Module) | Ⓒ To traction motor                 |

Ⓜ : N·m (kg-m, in-lb)

⊗ : Always replace after every disassembly

# RADIATOR

< REMOVAL AND INSTALLATION >

## Removal and Installation

INFOID:00000009296905

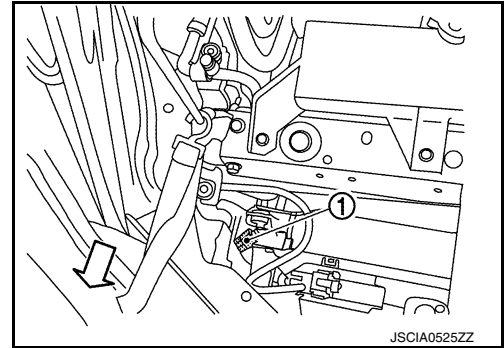
### REMOVAL

#### **WARNING:**

Never remove the reservoir tank cap if the drive motor or other high voltage part is hot. Hot liquid may spray out from the radiator, causing serious injury.

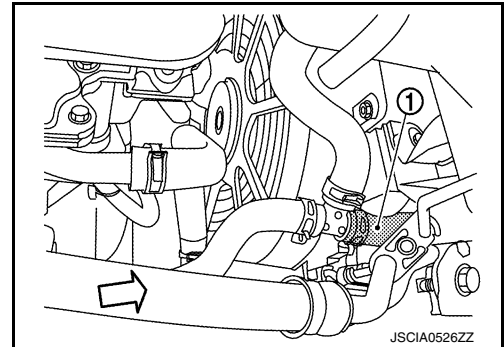
1. Remove front undercover. Refer to [EXT-23, "FRONT UNDER COVER : Removal and Installation"](#).
2. Remove the fender protector. Refer to [EXT-21, "FENDER PROTECTOR : Removal and Installation"](#).
3. Remove the apron bracket. Refer to [EXT-13, "Removal and Installation"](#).
4. Drain coolant from radiator drain plug. Refer to [HCO-11, "Draining"](#).
5. Remove the radiator upper grille. Refer to [DLK-180, "RADIATOR UPPER GRILLE : Removal and Installation"](#).
6. Remove the washer tank inlet. Refer to [WW-47, "Exploded View"](#).
7. Disconnect the water temperature sensor connector. ①.

← : Vehicle front



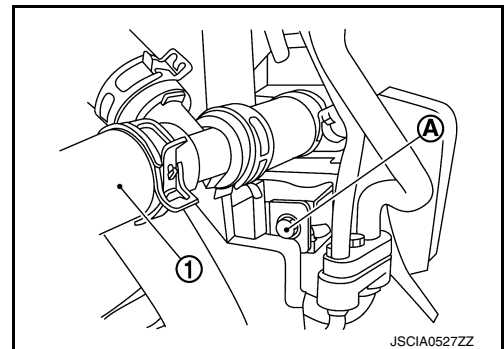
8. Remove the reservoir tank.
9. Disconnect the radiator hose (upper front) ①.

← : Vehicle front



10. Remove the condenser mounting bolt (A). (Models without heat pump systems)

① : Radiator hose (upper rear)



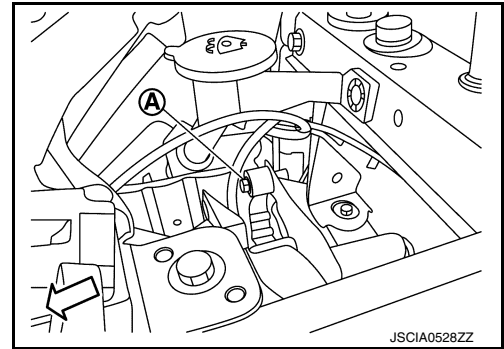
A  
B  
HCO  
D  
E  
F  
G  
H  
I  
J  
K  
L  
M  
N  
O  
P

# RADIATOR

## < REMOVAL AND INSTALLATION >

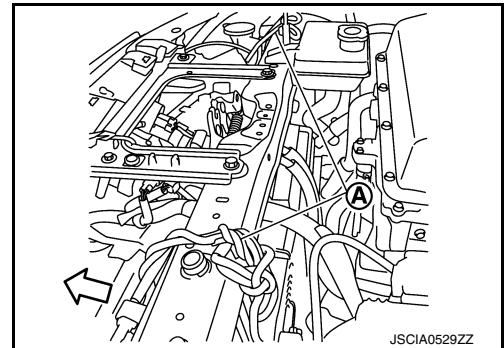
11. Remove the radiator mounting bolt (top left) (A).

← : Vehicle front

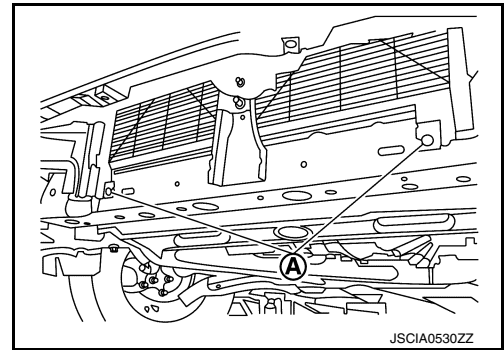


12. Use rope or other means (A) to support the condenser with the radiator core support assembly.

← : Vehicle front



13. Remove the air guide bottom clips (A).

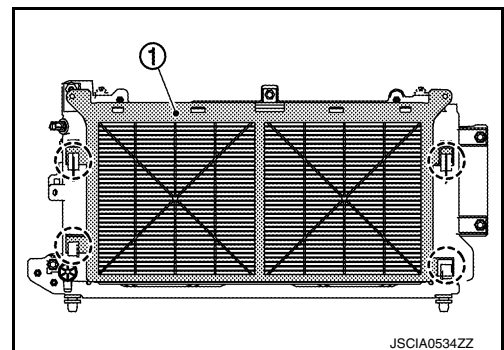


14. Remove the radiator core support lower. Refer to [DLK-178, "RADIATOR CORE SUPPORT LOWER : Removal and Installation"](#).

**CAUTION:**

**Be careful not to damage the radiator core.**

15. Lift up the chipping guard (1) and disconnect the parts (2) which mate with the radiator.

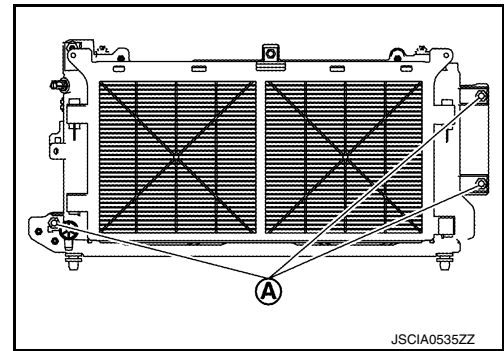




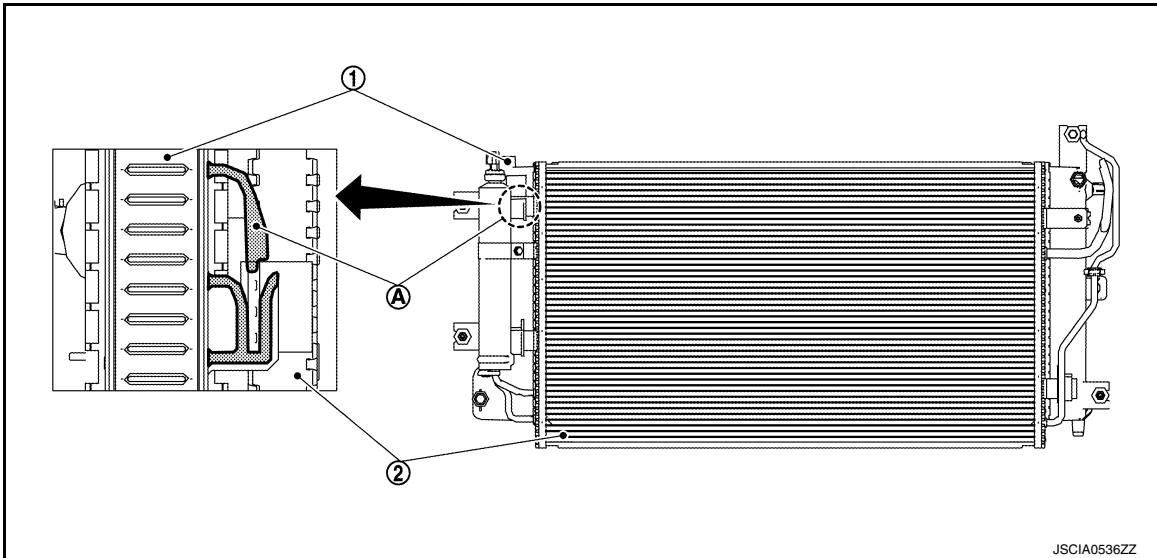
# RADIATOR

## < REMOVAL AND INSTALLATION >

16. Remove the radiator mounting bolts (A).



17. Press the radiator top left tab (A) while lowering the radiator (1) downwards to disengage it from the condenser (2). (Models without heat pump systems)



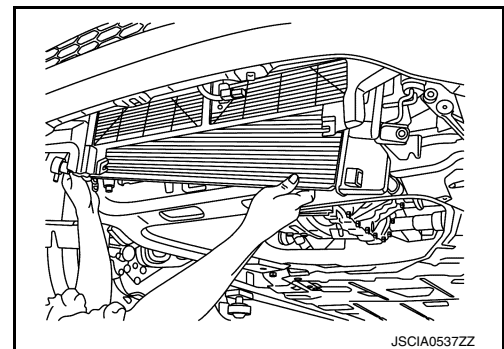
**CAUTION:**

Because there is a risk of bending the air conditioner pipe, do not lift up the capacitor more than is necessary to disengage it.

18. Disconnect the radiator side of the radiator hose (lower).  
19. Remove the radiator by pulling it out downwards from between the chipping guard and condenser.

**CAUTION:**

Be careful not to damage the condenser core.



## INSTALLATION

Note the following, and install in the reverse order of removal.

**CAUTION:**

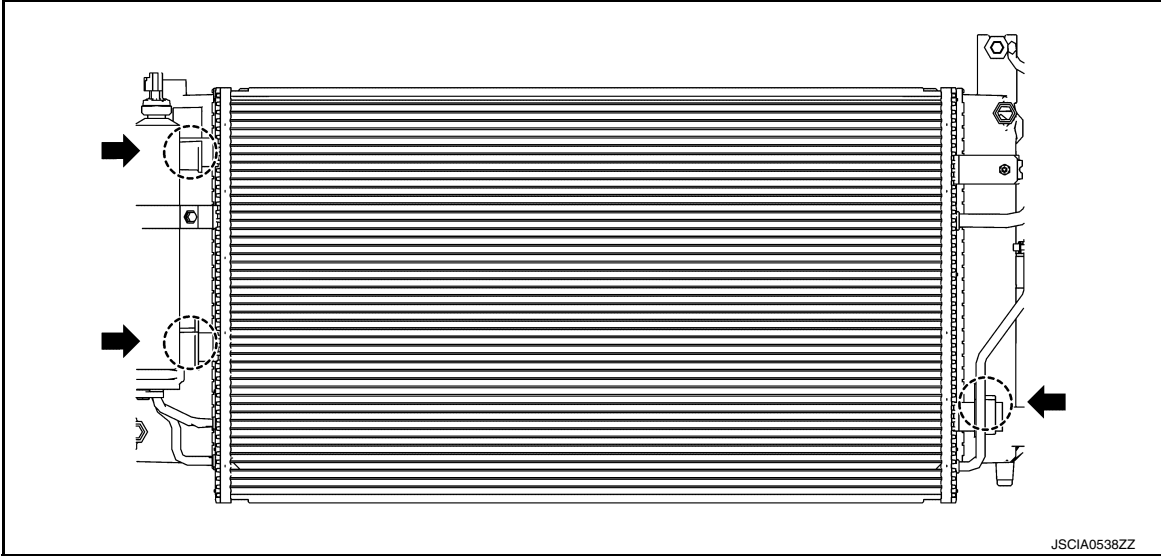
Be sure to perform correct air bleeding after adding coolant. Refer to [HCO-12, "Refilling"](#).

Radiator

# RADIATOR

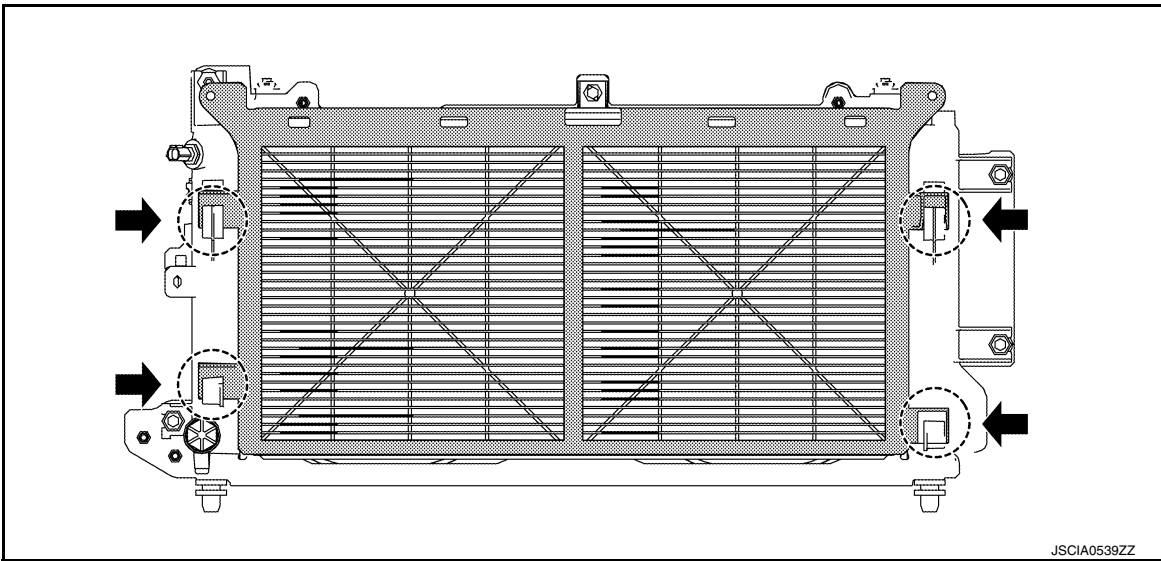
## < REMOVAL AND INSTALLATION >

- When installing the radiator, securely insert the engaging points shown by the arrows (←) in the figure. (Models without heat pump systems)



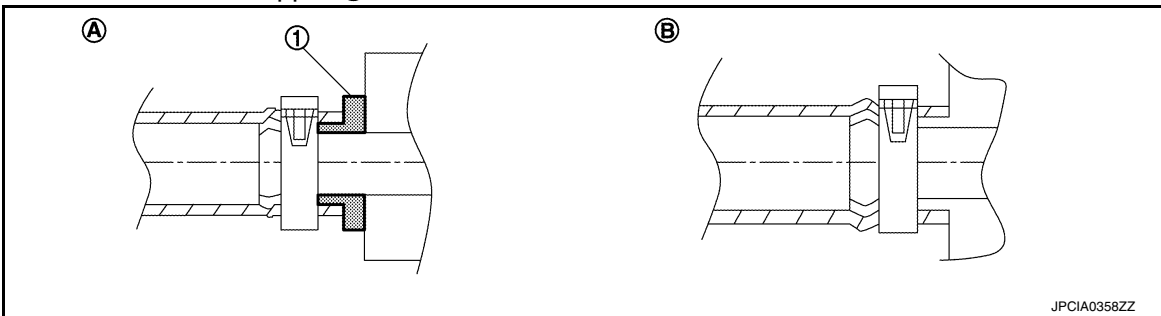
### Chipping Guard

- When installing the chipping guard, securely insert the engaging points shown by the arrows (←) in the figure.



### Radiator Hose / Water Hose

- When inserting the radiator hose and water hose, insert all the way until it contacts the end, regardless of whether or not there is a stopper ①.



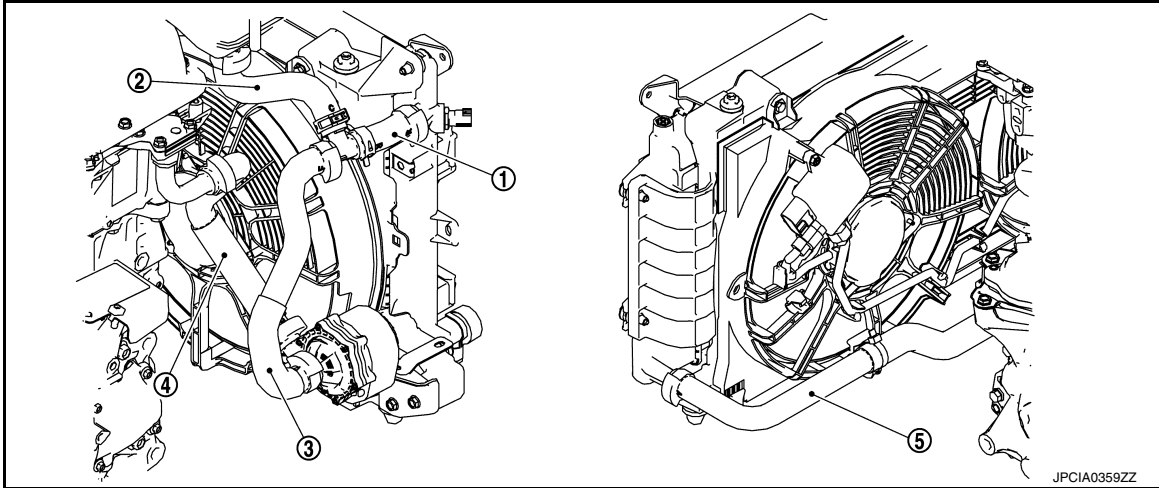
Ⓐ With stopper

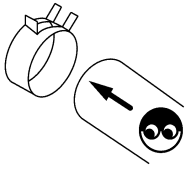
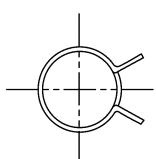
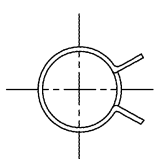
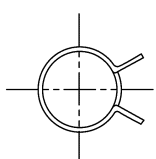
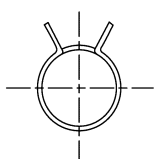
Ⓑ No stopper

# RADIATOR

## < REMOVAL AND INSTALLATION >

- Refer to the following table when installing the hose clamps.

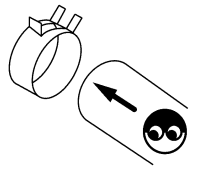
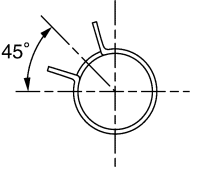
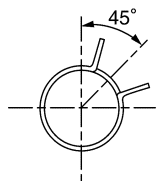
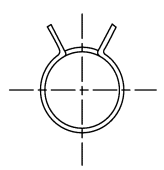
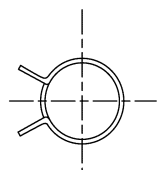


Hose location	Hose end	Direction of paint mark	Direction of hose clamp tabs  JPCIA0366ZZ ←: Vehicle upper ←: Vehicle front
① Radiator hose (upper front)	Radiator side	Vehicle right	 JPCIA0360ZZ
② Water hose	Reservoir tank side	Vehicle front	 JPCIA0361ZZ
③ Radiator hose (upper rear)	Radiator side	Vehicle right	 JPCIA0360ZZ
	Electric water pump side	Toward vehicle upper	 JPCIA0362ZZ

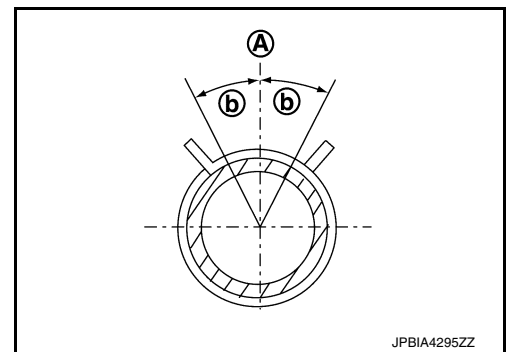
A  
B  
HCO  
D  
E  
F  
G  
H  
I  
J  
K  
L  
M  
N  
O  
P

# RADIATOR

## < REMOVAL AND INSTALLATION >

Hose location	Hose end	Direction of paint mark	<p>Direction of hose clamp tabs</p>  <p>JPCIA0366ZZ</p> <p>←: Vehicle upper ▨: Vehicle front</p>
④ Water hose	PDM (Power Delivery Module) side	Vehicle upper left	 <p>JPCIA0365ZZ</p>
	Electric water pump side	Vehicle upper right	 <p>JPCIA0363ZZ</p>
⑤ Radiator hose (lower)	Motor side	Toward vehicle upper	 <p>JPCIA0362ZZ</p>
	Radiator side	Vehicle left	 <p>JPCIA0364ZZ</p>

- The direction of the hose clamp tabs must be within  $\pm 30^\circ$  (b) of the indicated position (A).

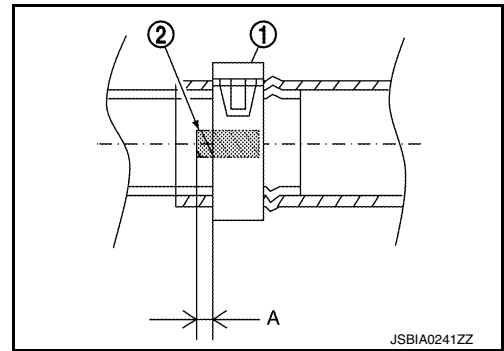


# RADIATOR

## < REMOVAL AND INSTALLATION >

- When installing hose clamp ①, check that the distance “A” between the end of the radiator hose paint mark ② and the hose clamp is within the standard range.

**Dimension “A” : 0 - 1mm ( 0 - 0.04 in )**



## Inspection

INFOID:000000009296906

### INSPECTION AFTER INSTALLATION

- Confirm that the reservoir tank cap is tightened.
- With a radiator cap tester (commercial service tool), check that there is no leakage of coolant. Refer to [HCO-11. "Inspection"](#).
- Start the electric pump, and check the joints for coolant leakage.

A  
B  
HCO  
D  
E  
F  
G  
H  
I  
J  
K  
L  
M  
N  
O  
P

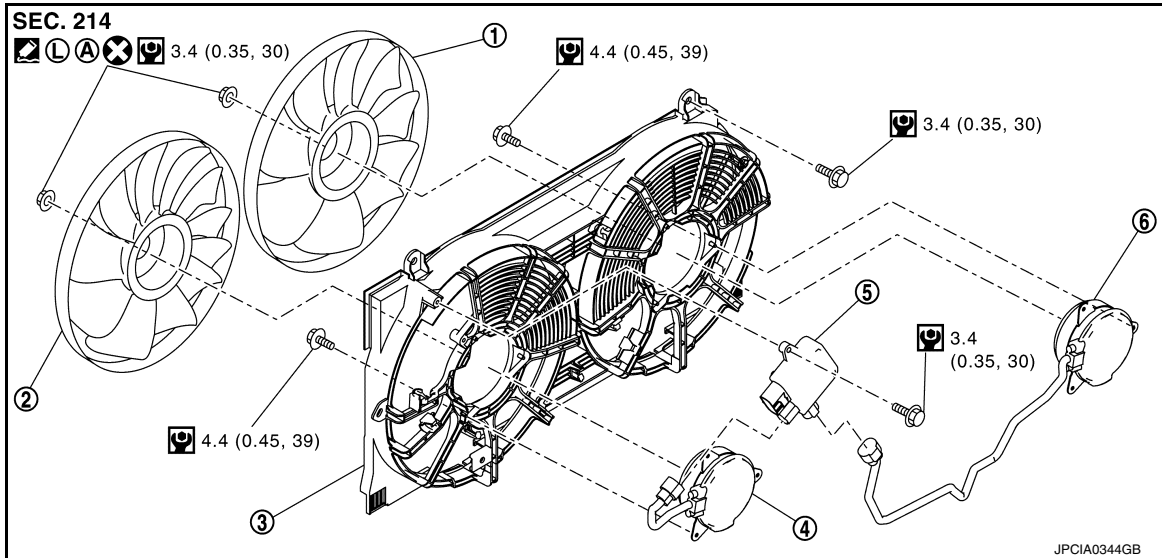
# COOLING FAN

< REMOVAL AND INSTALLATION >

## COOLING FAN

### Exploded View

INFOID:000000009296907



- |   |                     |   |                          |   |                   |
|---|---------------------|---|--------------------------|---|-------------------|
| ① | Cooling fan (right) | ② | Cooling fan (left)       | ③ | Fan shroud        |
| ④ | Fan motor (left)    | ⑤ | Cooling fan control unit | ⑥ | Fan motor (right) |

Ⓐ Apply thread locking adhesive to the shaft of fan motor.

Ⓛ : Thread locking adhesive

Ⓜ : N·m (kg·m, in·lb)

⊗ : Always replace after every disassembly

### NOTE:

The figure shows a model with heat pump system.

With models that do not have heat pump systems, the shape of the fan motor (left) and harness installation are somewhat different.

## Removal and Installation

INFOID:000000009296908

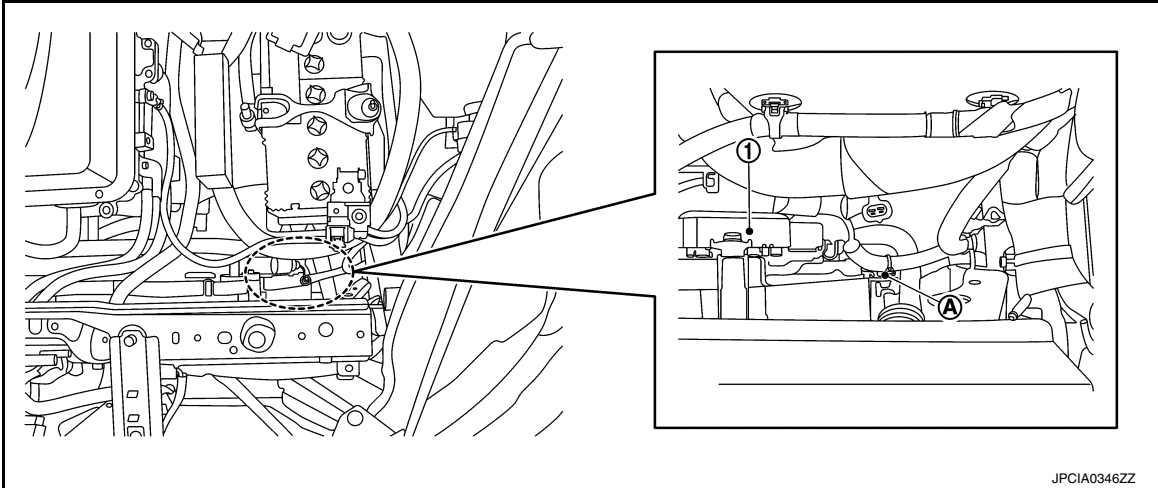
### REMOVAL

1. Remove the radiator upper grille. Refer to [DLK-180, "RADIATOR UPPER GRILLE : Removal and Installation"](#).
2. Remove the reservoir tank installation bolts and move the reservoir tank to a location where it does not interfere with work.
3. Remove the quick charge port and normal charge port. Refer to [VC-135, "Removal and Installation"](#) (quick charge port) and [VC-142, "Removal and Installation"](#) (normal charge port).
4. Disconnect the cooling fan control module harness connector.

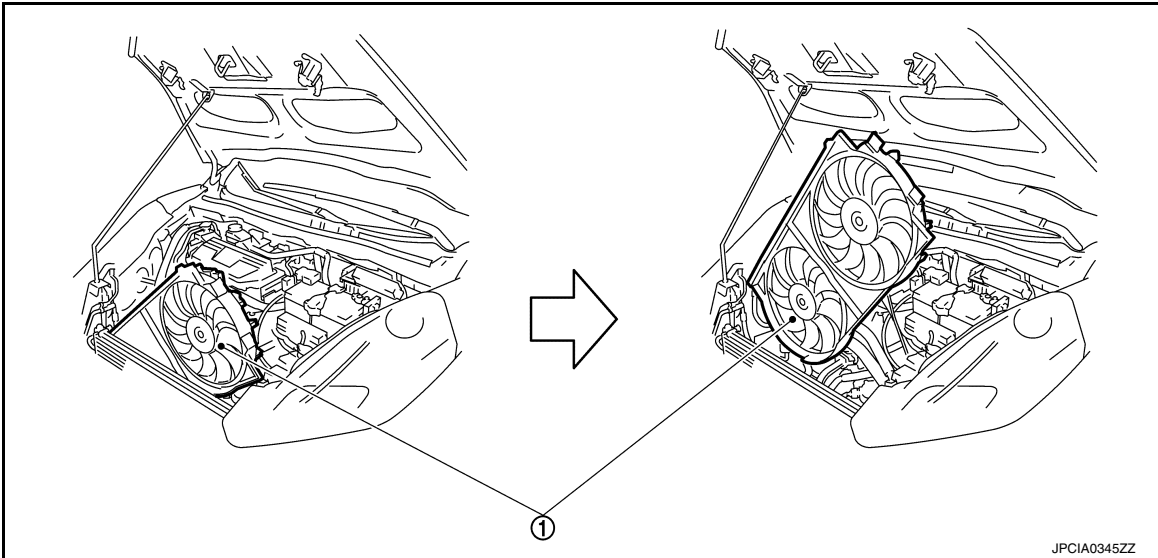
# COOLING FAN

## < REMOVAL AND INSTALLATION >

5. Remove the cooling fan control module harness clip ①.



6. Remove the cooling fan assembly mounting bolt.
7. Pull out and remove the cooling fan assembly ① at an angle, with the left side of the assembly raised up.



**CAUTION:**  
Be careful not to damage radiator core.

## INSTALLATION

Install in the reverse order of removal.

## Disassembly and Assembly

INFOID:000000009296909

## DISASSEMBLY

1. Disconnect sub-harness from fan motor and cooling fan control module.
2. Remove cooling fan control module from fan shroud.  
**CAUTION:**  
Handle it carefully and avoid subjecting it to impact.
3. Remove fan mounting nuts, and then remove the fan.
4. Remove fan motor.
  - Identify installation position of each valve. Arrange removed valves so that they cannot be mixed up.

## ASSEMBLY

Note the following, and assemble in the reverse order of disassembly.

- If fan motor is reused, install in its original position.
- Install each fan in the following position.

A

B

HCO

D

E

F

G

H

I

J

K

L

M

N

O

P

## COOLING FAN

< REMOVAL AND INSTALLATION >

---

	Vehicle left	Vehicle right
<b>Models with heat pump systems</b>	<b>9 fans</b>	<b>11 fans</b>
<b>Models without heat pump systems</b>	<b>6 fans</b>	<b>9 fans</b>

- Apply thread locking adhesive (Three Bond Thread Lock Super 1303 or an equivalent) to the threads of the fan motor shaft, and tighten the fan mounting nuts.
- Secure the sub-harness tightly to the fan shroud to prevent it from interfering with the fan rotation area.



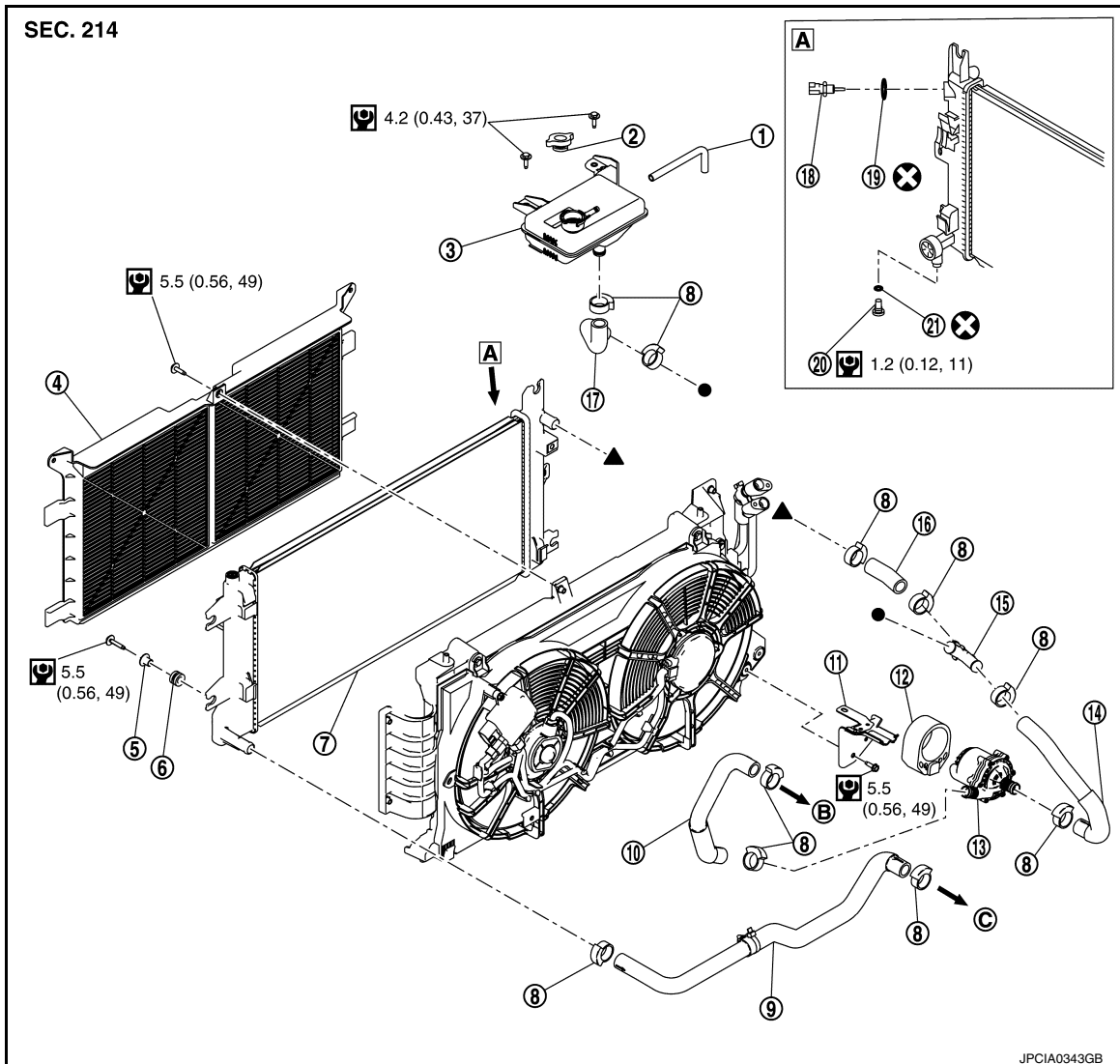
# ELECTRIC WATER PUMP

< REMOVAL AND INSTALLATION >

## ELECTRIC WATER PUMP

Exploded View

INFOID:000000009296910



- |                       |                                  |                                     |
|-----------------------|----------------------------------|-------------------------------------|
| ① Reservoir tank hose | ② Reservoir tank cap             | ③ Reservoir tank                    |
| ④ Chipping guard      | ⑤ Collar                         | ⑥ Bushing                           |
| ⑦ Radiator            | ⑧ Clamp                          | ⑨ Radiator hose (lower)             |
| ⑩ Water hose          | ⑪ Pump bracket                   | ⑫ Mount rubber                      |
| ⑬ Electric water pump | ⑭ Water hose                     | ⑮ Water hose adapter                |
| ⑯ Water hose          | ⑰ Water hose                     | ⑱ Engine coolant temperature sensor |
| ⑲ Gasket              | ⑳ Drain plug                     | ㉑ O-ring                            |
| Ⓐ Arrow view          | Ⓑ To PDM (Power Delivery Module) | Ⓒ To traction motor                 |

Ⓜ : N·m (kg-m, in-lb)

Ⓧ : Always replace after every disassembly

### Removal and Installation

INFOID:000000009296911

**CAUTION:**

# ELECTRIC WATER PUMP

## < REMOVAL AND INSTALLATION >

Do not use an electric water pump that is dropped, or subjected to excessive impact due to contact with other parts.

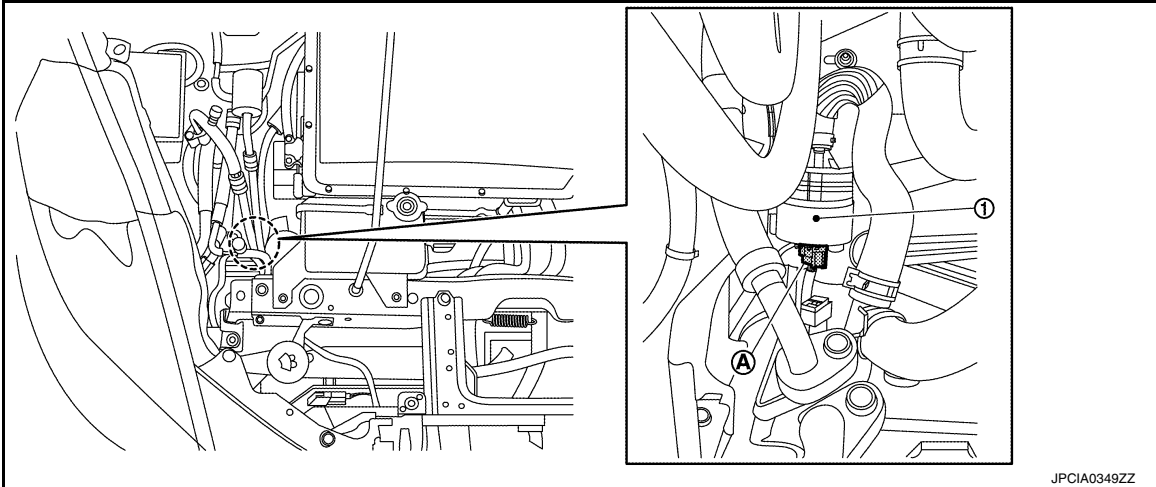
### REMOVAL

1. Drain coolant from radiator. Refer to [HCO-11, "Draining"](#).

**CAUTION:**

**Drain the coolant when it is cool.**

2. Remove the front side of the right fender protector to create space for work. Refer to [EXT-21, "FENDER PROTECTOR : Exploded View"](#).
3. Disconnect the electric water pump ① harness connector ④.



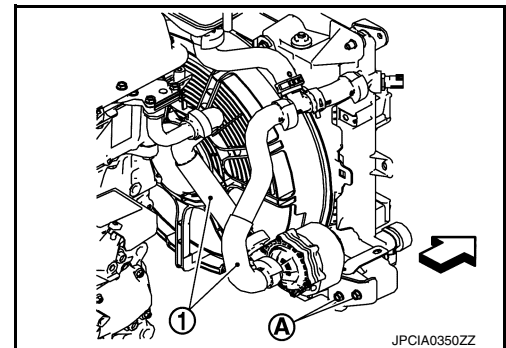
4. Disconnect the water hose ①.

← : Vehicle front

**CAUTION:**

- Take care that coolant does not contact the high voltage connectors.
- If coolant contacts a high voltage connector, immediately use an air blow and fully remove the moisture.

5. Remove the 2 mounting bolts ④ and remove the electric water pump together with the bracket.



6. Remove the electric water pump harness connector clamp from the bracket.

### INSTALLATION

Note the following, and install in the reverse order of removal.

**CAUTION:**

- Hold the electric water pump with one hand while inserting the water hose into the electric water pump.
- Be sure to perform correct air bleeding after adding coolant. Refer to [HCO-12, "Refilling"](#).

# SERVICE DATA AND SPECIFICATIONS (SDS)

< SERVICE DATA AND SPECIFICATIONS (SDS)

## SERVICE DATA AND SPECIFICATIONS (SDS)

### SERVICE DATA AND SPECIFICATIONS (SDS)

#### Periodical Maintenance Specification

INFOID:000000008744064

#### COOLANT CAPACITY (APPROXIMATE)

Unit: ℓ (US qt, Imp qt)

Coolant capacity (With reservoir tank at "MAX" level)	5.3 (5-5/8, 4-5/8)
Reservoir tank coolant capacity (At "MAX" level)	0.5 (4/8, 4/8)

#### RESERVOIR TANK CAP

Unit: kPa (kg/cm<sup>2</sup>, psi)

Cap relief pressure	24 - 36 (0.2 - 0.3, 3.5 - 5.2)
---------------------	--------------------------------

#### RADIATOR

Unit: kPa (kg/cm<sup>2</sup>, psi)

Leakage testing pressure	32 ( 0.3, 5)
--------------------------	--------------

A  
B  
HCO  
D  
E  
F  
G  
H  
I  
J  
K  
L  
M  
N  
O  
P