

SECTION **HRN**
HORN

A
B
C
D
E
F
G
H
I
J
K
M
N
O
P

CONTENTS

PRECAUTION	2	WIRING DIAGRAM	4
PRECAUTIONS	2	HORN	4
Precaution for Technicians Using Medical Electric.....	2	Wiring Diagram	4
Point to Be Checked Before Starting Maintenance Work	2	REMOVAL AND INSTALLATION	9
Precaution for Supplemental Restraint System (SRS) "AIR BAG" and "SEAT BELT PRE-TENSIONER"	2	HORN	9
Precaution for Removing 12V Battery	3	Exploded View	9
		Removal and Installation	9

HRN

PRECAUTIONS

< PRECAUTION >

PRECAUTION

PRECAUTIONS

Precaution for Technicians Using Medical Electric

INFOID:000000009352082

OPERATION PROHIBITION

WARNING:

- Parts with strong magnet is used in this vehicle.
- Technicians using a medical electric device such as pacemaker must never perform operation on the vehicle, as magnetic field can affect the device function by approaching to such parts.

NORMAL CHARGE PRECAUTION

WARNING:

- If a technician uses a medical electric device such as an implantable cardiac pacemaker or an implantable cardioverter defibrillator, the possible effects on the devices must be checked with the device manufacturer before starting the charge operation.
- As radiated electromagnetic wave generated by PDM (Power Delivery Module) at normal charge operation may affect medical electric devices, a technician using a medical electric device such as implantable cardiac pacemaker or an implantable cardioverter defibrillator must not approach motor room [PDM (Power Delivery Module)] at the hood-opened condition during normal charge operation.

PRECAUTION AT TELEMATICS SYSTEM OPERATION

WARNING:

- If a technician uses implantable cardiac pacemaker or implantable cardioverter defibrillator (ICD), avoid the device implanted part from approaching within approximately 220 mm (8.66 in) from interior/exterior antenna.
- The electromagnetic wave of TCU might affect the function of the implantable cardiac pacemaker or the implantable cardioverter defibrillator (ICD), when using the service, etc.
- If a technician uses other medical electric devices than implantable cardiac pacemaker or implantable cardioverter defibrillator (ICD), the electromagnetic wave of TCU might affect the function of the device. The possible effects on the devices must be checked with the device manufacturer before TCU use.

PRECAUTION AT INTELLIGENT KEY SYSTEM OPERATION

WARNING:

- If a technician uses implantable cardiac pacemaker or implantable cardioverter defibrillator (ICD), avoid the device implanted part from approaching within approximately 220 mm (8.66 in) from interior/exterior antenna.
- The electromagnetic wave of Intelligent Key might affect the function of the implantable cardiac pacemaker or the implantable cardioverter defibrillator (ICD), at door operation, at each request switch operation, or at engine starting.
- If a technician uses other medical electric devices than implantable cardiac pacemaker or implantable cardioverter defibrillator (ICD), the electromagnetic wave of Intelligent Key might affect the function of the device. The possible effects on the devices must be checked with the device manufacturer before Intelligent Key use.

Point to Be Checked Before Starting Maintenance Work

INFOID:000000008743826

The high voltage system may starts automatically. It is required to check that the timer air conditioner and timer charge (during EVSE connection) are not set before starting maintenance work.

NOTE:

If the timer air conditioner or timer charge (during EVSE connection) is set, the high voltage system starts automatically even when the power switch is in OFF state.

Precaution for Supplemental Restraint System (SRS) "AIR BAG" and "SEAT BELT PRE-TENSIONER"

INFOID:000000009316228

The Supplemental Restraint System such as "AIR BAG" and "SEAT BELT PRE-TENSIONER", used along with a front seat belt, helps to reduce the risk or severity of injury to the driver and front passenger for certain types of collision. This system includes seat belt switch inputs and dual stage front air bag modules. The SRS

PRECAUTIONS

< PRECAUTION >

system uses the seat belt switches to determine the front air bag deployment, and may only deploy one front air bag, depending on the severity of a collision and whether the front occupants are belted or unbelted. Information necessary to service the system safely is included in the SR and SB section of this Service Manual.

WARNING:

- To avoid rendering the SRS inoperative, which could increase the risk of personal injury or death in the event of a collision which would result in air bag inflation, all maintenance must be performed by an authorized NISSAN/INFINITI dealer.
- Improper maintenance, including incorrect removal and installation of the SRS, can lead to personal injury caused by unintentional activation of the system. For removal of Spiral Cable and Air Bag Module, see the SR section.
- Do not use electrical test equipment on any circuit related to the SRS unless instructed to in this Service Manual. SRS wiring harnesses can be identified by yellow and/or orange harnesses or harness connectors.

PRECAUTIONS WHEN USING POWER TOOLS (AIR OR ELECTRIC) AND HAMMERS

WARNING:

- When working near the Airbag Diagnosis Sensor Unit or other Airbag System sensors with the Ignition ON or engine running, DO NOT use air or electric power tools or strike near the sensor(s) with a hammer. Heavy vibration could activate the sensor(s) and deploy the air bag(s), possibly causing serious injury.
- When using air or electric power tools or hammers, always switch the Ignition OFF, disconnect the battery and wait at least three minutes before performing any service.

Precaution for Removing 12V Battery

INFOID:000000008743828

1. Check that EVSE is not connected.

NOTE:

If EVSE is connected, the air conditioning system may be automatically activated by the timer A/C function.

2. Turn the power switch OFF → ON → OFF. Get out of the vehicle. Close all doors (including back door).
3. Check that the charge status indicator lamp does not blink and wait for 5 minutes or more.

NOTE:

If the battery is removed within 5 minutes after the power switch is turned OFF, plural DTCs may be detected.

4. Remove 12V battery within 1 hour after turning the power switch OFF → ON → OFF.

NOTE:

- The 12V battery automatic charge control may start automatically even when the power switch is in OFF state.
- Once the power switch is turned ON → OFF, the 12V battery automatic charge control does not start for approximately 1 hour.

CAUTION:

- After all doors (including back door) are closed, if a door (including back door) is opened before battery terminals are disconnected, start over from Step 1.
- After turning the power switch OFF, if "Remote A/C" is activated by user operation, stop the air conditioner and start over from Step 1.

HORN

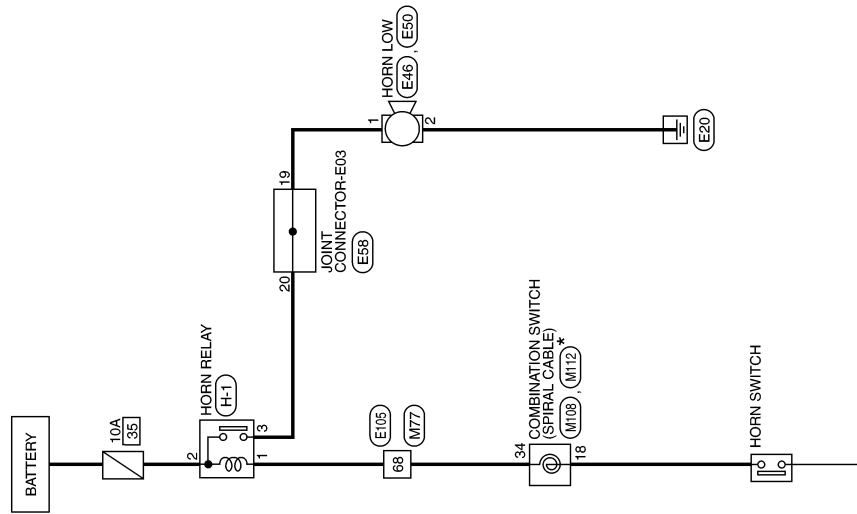
< WIRING DIAGRAM >

WIRING DIAGRAM

HORN

Wiring Diagram

INFOID:000000008743829



*: This connector is not shown in "Harness Layout".

HORN

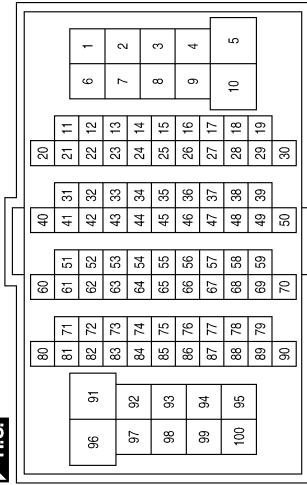
AALWA0607GB

HORN

< WIRING DIAGRAM >

HORN - CONNECTORS

Connector No.	M77
Connector Name	WIRE TO WIRE
Connector Color	WHITE



Terminal No.	Color of Wire	Signal Name
1	R	-
2	L	-
3	V	-
4	LG	-
6	P	-
7	GR	-
9	G	-
10	L	-
11	L	-
12	Y	-
13	V	-
14	R	-
15	G	-
16	W	-
17	R	-
18	G	-
19	W	-
20	GR	-

60	Y	-
61	GR	-
62	W	-
63	BR	-
64	SHIELD	-
65	W	-
66	LG	-
67	R	-
68	G	-
69	BG	-
70	GR	-
71	R	-
72	R	-
73	B	-
74	W	-
76	L	-
80	W	-
81	LG	-
83	GR	-
84	L	-
85	Y	-
86	SB	-
88	R	-
89	G	-
90	SHIELD	-
91	Y	-
92	BR	-
93	W	-
94	P	-
95	L	-
96	P	-
97	G	-
98	V	-
99	LG	-
100	R	-

21	P	-
22	B	-
23	BG	-
24	B	-
26	G	-
27	B	-
28	B	-
25	W	-
29	R	-
31	R	-
32	W	-
33	GR	-
34	BR	-
35	BR	-
36	W	-
37	L	-
38	LG	-
39	SB	-
40	V	-
41	P	-
42	SB	-
43	G	-
44	LG	-
45	Y	-
46	R	-
47	W	-
48	L	-
49	G	-
50	L	-
51	SB	-
52	L	-
54	B	-
55	R	-
56	V	-
57	Y	-
58	L	-

A
B
C
D
E
F
G
H
I
J
K
M
N
O
P

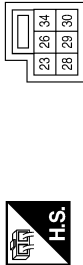
HRN

AALIA1736GB

HORN

< WIRING DIAGRAM >

Connector No.	M108
Connector Name	COMBINATION SWITCH (SPIRAL CABLE)
Connector Color	YELLOW



Terminal No.	Color of Wire	Signal Name
23	R	-
26	B	-
28	Y	-
29	Y	-
30	Y	-
34	G	-

Connector No.	M112
Connector Name	COMBINATION SWITCH (SPIRAL CABLE)
Connector Color	GRAY



Terminal No.	Color of Wire	Signal Name
13	R	-
14	W	-
15	L	-
16	B	-
17	BR	-
18	B	-
19	Y	-
20	Y	-

Connector No.	E46
Connector Name	HORN (LOW)
Connector Color	BLACK



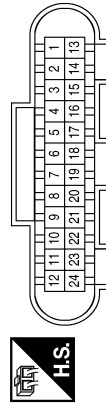
Terminal No.	Color of Wire	Signal Name
2	B/W	-

Connector No.	E50
Connector Name	HORN (LOW)
Connector Color	BLACK



Terminal No.	Color of Wire	Signal Name
1	G	-

Connector No.	E58
Connector Name	JOINT CONNECTOR-E03
Connector Color	BLACK



Terminal No.	Color of Wire	Signal Name
1	B/R	-
2	SHIELD	-
3	SHIELD	-
4	SHIELD	-
5	-	-
6	-	-
7	-	-
8	-	-

Terminal No.	Color of Wire	Signal Name
9	-	-
10	B/R	-
11	SHIELD	-
12	SHIELD	-
13	W	-
14	W	-
15	W	-
16	W	-
17	W	-
18	W	-
19	G	-
20	G	-
21	-	-
22	V	-
23	V	-
24	V	-

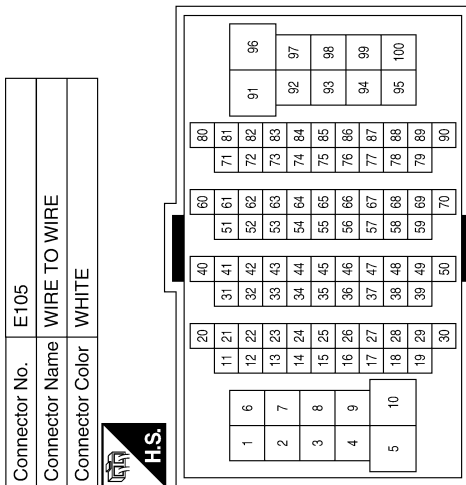
AALIA1737GB

HORN

< WIRING DIAGRAM >

57	Y	-
58	L	-
60	LG	-
61	GR	-
62	W	-
63	SB	-
64	SHIELD	-
65	W	-
66	G	-
67	V	-
68	R	-
69	B	-
70	BR	-
71	LG	-
72	R	-
73	B	-
74	O	-
76	L	-
77	Y	-
80	P	-
81	SB	-
83	GR	-
84	L	-
85	O	-
86	BR	-
88	B	-
89	W	-
90	SHIELD	-
91	Y	-
92	BR	-
93	O	-
94	R	-
95	V	-
96	P	-
97	G	-
98	W	-
99	O	-
100	SB	-

19	W/L	-
20	BR	-
21	R	-
22	B	-
23	LG	-
24	B	-
25	W	-
26	W	-
27	B	-
28	O/L	-
29	W	-
31	R	-
32	W	-
33	G	-
34	BR	-
35	V	-
36	O	-
37	L	-
38	SB	-
39	P	-
40	V	-
41	O	-
42	Y	-
43	BR	-
44	W	-
45	G	-
46	P	-
47	LG	-
47	R	-
48	B	-
49	L	-
50	G	-
51	W	-
52	O	-
54	B	-
55	R	-
56	Y	-



Terminal No.	Color of Wire	Signal Name
1	R	-
2	L	-
3	BW	- (WITHOUT FRONT FOG LAMPS)
3	R	- (WITH LED HEADLAMPS)
4	LG	- (WITH LED HEADLAMPS)
4	B/W	- (WITHOUT FRONT FOG LAMPS)
6	B/R	-
7	W	-
9	G	-
10	R	-
11	L	-
12	Y	-
13	W	-
14	R	-
15	G	-
16	G	-
17	R	-
18	O	-

AALIA1738GB

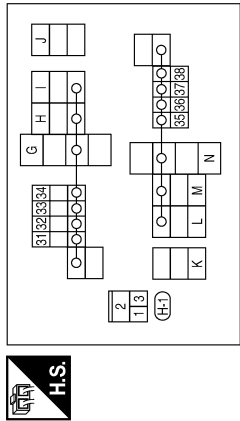
A
B
C
D
E
F
G
H
I
J
K
M
N
O
P

HRN

HORN

< WIRING DIAGRAM >

Connector No.	H-1
Connector Name	HORN RELAY
Connector Color	



Terminal No.	Color of Wire	Signal Name
1	R	-
2	GR	-
3	G	-

AALIA1878GB

HORN

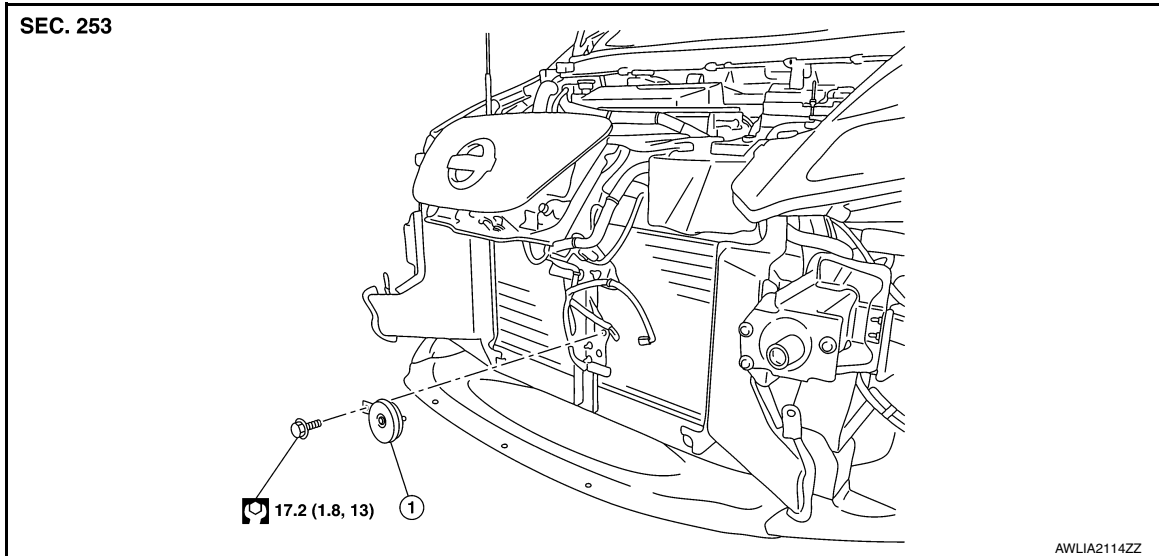
< REMOVAL AND INSTALLATION >

REMOVAL AND INSTALLATION

HORN

Exploded View

INFOID:000000008743830



1. Horn

Removal and Installation

INFOID:000000008743831

REMOVAL

1. Remove the front under cover. Refer to [EXT-23. "FRONT UNDER COVER : Removal and Installation"](#).
2. Disconnect the horn connectors.
3. Remove the horn bolt, and the horn.

INSTALLATION

Install in the reverse order of removal.

CAUTION:

Be careful to connect power supply harness connector and ground harness connector normally.

A

B

C

D

E

F

G

H

I

J

K

HRN

M

N

O

P