



---

**SERVICE DATA AND SPECIFICATIONS**  
**(SDS)** ..... 23

**SERVICE DATA AND SPECIFICATIONS**  
**(SDS)** ..... 23  
In-cabin Microfilter ..... 23

# PRECAUTIONS

< PRECAUTION >

## PRECAUTION

### PRECAUTIONS

#### Precaution for Technicians Using Medical Electric

INFOID:000000009346694

##### OPERATION PROHIBITION

###### **WARNING:**

- Parts with strong magnet is used in this vehicle.
- Technicians using a medical electric device such as pacemaker must never perform operation on the vehicle, as magnetic field can affect the device function by approaching to such parts.

##### NORMAL CHARGE PRECAUTION

###### **WARNING:**

- If a technician uses a medical electric device such as an implantable cardiac pacemaker or an implantable cardioverter defibrillator, the possible effects on the devices must be checked with the device manufacturer before starting the charge operation.
- As radiated electromagnetic wave generated by PDM (Power Delivery Module) at normal charge operation may affect medical electric devices, a technician using a medical electric device such as implantable cardiac pacemaker or an implantable cardioverter defibrillator must not approach motor room [PDM (Power Delivery Module)] at the hood-opened condition during normal charge operation.

##### PRECAUTION AT TELEMATICS SYSTEM OPERATION

###### **WARNING:**

- If a technician uses implantable cardiac pacemaker or implantable cardioverter defibrillator (ICD), avoid the device implanted part from approaching within approximately 220 mm (8.66 in) from interior/exterior antenna.
- The electromagnetic wave of TCU might affect the function of the implantable cardiac pacemaker or the implantable cardioverter defibrillator (ICD), when using the service, etc.
- If a technician uses other medical electric devices than implantable cardiac pacemaker or implantable cardioverter defibrillator (ICD), the electromagnetic wave of TCU might affect the function of the device. The possible effects on the devices must be checked with the device manufacturer before TCU use.

##### PRECAUTION AT INTELLIGENT KEY SYSTEM OPERATION

###### **WARNING:**

- If a technician uses implantable cardiac pacemaker or implantable cardioverter defibrillator (ICD), avoid the device implanted part from approaching within approximately 220 mm (8.66 in) from interior/exterior antenna.
- The electromagnetic wave of Intelligent Key might affect the function of the implantable cardiac pacemaker or the implantable cardioverter defibrillator (ICD), at door operation, at each request switch operation, or at engine starting.
- If a technician uses other medical electric devices than implantable cardiac pacemaker or implantable cardioverter defibrillator (ICD), the electromagnetic wave of Intelligent Key might affect the function of the device. The possible effects on the devices must be checked with the device manufacturer before Intelligent Key use.

#### Point to Be Checked Before Starting Maintenance Work

INFOID:000000008746069

The high voltage system may starts automatically. It is required to check that the timer air conditioner and timer charge (during EVSE connection) are not set before starting maintenance work.

###### **NOTE:**

If the timer air conditioner or timer charge (during EVSE connection) is set, the high voltage system starts automatically even when the power switch is in OFF state.

#### Precaution for Supplemental Restraint System (SRS) "AIR BAG" and "SEAT BELT PRE-TENSIONER"

INFOID:000000009330138

The Supplemental Restraint System such as "AIR BAG" and "SEAT BELT PRE-TENSIONER", used along with a front seat belt, helps to reduce the risk or severity of injury to the driver and front passenger for certain types of collision. This system includes seat belt switch inputs and dual stage front air bag modules. The SRS

A  
B  
C  
D  
E  
F  
G  
H  
J  
K  
L  
M  
N  
O  
P

VTL

# PRECAUTIONS

## < PRECAUTION >

system uses the seat belt switches to determine the front air bag deployment, and may only deploy one front air bag, depending on the severity of a collision and whether the front occupants are belted or unbelted. Information necessary to service the system safely is included in the SR and SB section of this Service Manual.

### **WARNING:**

- To avoid rendering the SRS inoperative, which could increase the risk of personal injury or death in the event of a collision which would result in air bag inflation, all maintenance must be performed by an authorized NISSAN/INFINITI dealer.
- Improper maintenance, including incorrect removal and installation of the SRS, can lead to personal injury caused by unintentional activation of the system. For removal of Spiral Cable and Air Bag Module, see the SR section.
- Do not use electrical test equipment on any circuit related to the SRS unless instructed to in this Service Manual. SRS wiring harnesses can be identified by yellow and/or orange harnesses or harness connectors.

## PRECAUTIONS WHEN USING POWER TOOLS (AIR OR ELECTRIC) AND HAMMERS

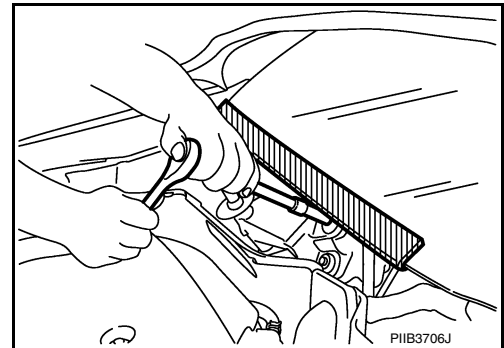
### **WARNING:**

- When working near the Airbag Diagnosis Sensor Unit or other Airbag System sensors with the Ignition ON or engine running, DO NOT use air or electric power tools or strike near the sensor(s) with a hammer. Heavy vibration could activate the sensor(s) and deploy the air bag(s), possibly causing serious injury.
- When using air or electric power tools or hammers, always switch the Ignition OFF, disconnect the battery and wait at least three minutes before performing any service.

## Precaution for Procedure without Cowl Top Cover

INFOID:000000008746072


When performing the procedure after removing cowl top cover, cover the lower end of windshield with urethane, etc to prevent damage to windshield.



## High Voltage Precautions

INFOID:000000009347906

### **DANGER:**

 Since hybrid vehicles and electric vehicles contain a high voltage battery, there is the risk of electric shock, electric leakage, or similar accidents if the high voltage component and vehicle are handled incorrectly. Be sure to follow the correct work procedures when performing inspection and maintenance.

### **WARNING:**

- Be sure to remove the service plug in order to disconnect the high voltage circuits before performing inspection or maintenance of high voltage system harnesses and parts.
- The removed service plug must always be carried in a pocket of the responsible worker or placed in the tool box during the procedure to prevent the plug from being connected by mistake.
- Be sure to wear insulated protective equipment before beginning work on the high voltage system.
- Never allow workers other than the responsible person to touch the vehicle containing high voltage parts. To keep others from touching the high voltage parts, these parts must be covered with an insulating sheet except when using them.

### **CAUTION:**

Never bring the vehicle into the READY status with the service plug removed unless otherwise instructed in the Service Manual. A malfunction may occur if this is not observed.

## HIGH VOLTAGE HARNESS AND EQUIPMENT IDENTIFICATION

# PRECAUTIONS

## < PRECAUTION >

All the high voltage harnesses and connectors are orange. The Li-ion battery and other high voltage devices include an orange high voltage label. Never touch these harnesses and high voltage parts.

A

### HANDLING OF HIGH VOLTAGE HARNESS AND TERMINALS

Immediately insulate disconnected high voltage connectors and terminals with insulating tape.

B

### REGULATIONS ON WORKERS WITH MEDICAL ELECTRONICS

#### **WARNING:**

**The vehicle contains parts that contain powerful magnets. If a person who is wearing a heart pacemaker or other medical device is close to these parts, the medical device may be affected by the magnets. Such persons must not perform work on the vehicle.**

C

### PROHIBITED ITEMS TO CARRY DURING THE WORK

Hybrid vehicles and electric vehicles contain parts with high voltage and intense magnetic force. Never carry metal products and magnetic recording media (e.g. cash card, prepaid card) to repair/inspect high voltage parts. If this is not observed, the metal products may create a risk of short circuit and the magnetic recording media may lose their magnetic recording.

D

E

### POSTING A SIGN OF "DANGER! HIGH VOLTAGE AREA. KEEP OUT"

F

G

H

VTL

J

K

L

M

N

O

P

## PRECAUTIONS

### < PRECAUTION >

Indicate "HIGH VOLTAGE. DO NOT TOUCH" on the vehicle under repair/inspection to call attention to other workers.

<b>Person in charge: _____</b>
<b>DO NOT TOUCH!</b> <b>REPAIR IN PROGRESS.</b> <b>HIGH VOLTAGE</b> <b>DANGER:</b>
<b>DANGER:</b> <b>HIGH VOLTAGE</b> <b>REPAIR IN PROGRESS.</b> <b>DO NOT TOUCH!</b> <b>Person in charge: _____</b>
<b>Copy this page and put it after folding on the roof of the vehicle in service.</b>

JSAIA1600GB

### Precaution for Removing 12V Battery

INFOID:000000008746070

1. Check that EVSE is not connected.

**NOTE:**

If EVSE is connected, the air conditioning system may be automatically activated by the timer A/C function.

2. Turn the power switch OFF → ON → OFF. Get out of the vehicle. Close all doors (including back door).

# PRECAUTIONS

## < PRECAUTION >

3. Check that the charge status indicator lamp does not blink and wait for 5 minutes or more.
- NOTE:**  
If the battery is removed within 5 minutes after the power switch is turned OFF, plural DTCs may be detected.
4. Remove 12V battery within 1 hour after turning the power switch OFF → ON → OFF.
- NOTE:**
- The 12V battery automatic charge control may start automatically even when the power switch is in OFF state.
  - Once the power switch is turned ON → OFF, the 12V battery automatic charge control does not start for approximately 1 hour.
- CAUTION:**
- **After all doors (including back door) are closed, if a door (including back door) is opened before battery terminals are disconnected, start over from Step 1.**
  - **After turning the power switch OFF, if “Remote A/C” is activated by user operation, stop the air conditioner and start over from Step 1.**

## Precaution for Work

INFOID:000000009345674

- When removing or disassembling each component, be careful not to damage or deform it. If a component may be subject to interference, be sure to protect it with a shop cloth.
- When removing (disengaging) components with a screwdriver or similar tool, be sure to wrap the component with a shop cloth or vinyl tape to protect it.
- Protect the removed parts with a shop cloth and prevent them from being dropped.
- Replace a deformed or damaged clip.
- If a part is specified as a non-reusable part, always replace it with a new one.
- Be sure to tighten bolts and nuts securely to the specified torque.
- After installation is complete, be sure to check that each part works properly.
- Follow the steps below to clean components:
  - Water soluble dirt:
    - Dip a soft cloth into lukewarm water, wring the water out of the cloth and wipe the dirty area.
    - Then rub with a soft, dry cloth.
  - Oily dirt:
    - Dip a soft cloth into lukewarm water with mild detergent (concentration: within 2 to 3%) and wipe the dirty area.
    - Then dip a cloth into fresh water, wring the water out of the cloth and wipe the detergent off.
    - Then rub with a soft, dry cloth.
  - Do not use organic solvent such as thinner, benzene, alcohol or gasoline.
  - For genuine leather seats, use a genuine leather seat cleaner.

# PREPARATION

< PREPARATION >

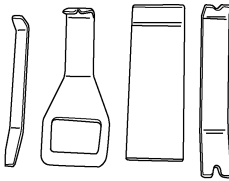
## PREPARATION

### PREPARATION

#### Special Service Tool


INFOID:000000009345689

The actual shape of the tools may differ from those illustrated here.

Tool number (TechMate No.) Tool name	Description
— (J-46534) Trim Tool Set  AWJIA0483ZZ	Removing trim components

#### Commercial Service Tool

INFOID:000000009345692

(TechMate No.) Tool name	Description
( — ) Power tool  PIIB1407E	Loosening nuts, screws and bolts



# IN-CABIN MICROFILTER

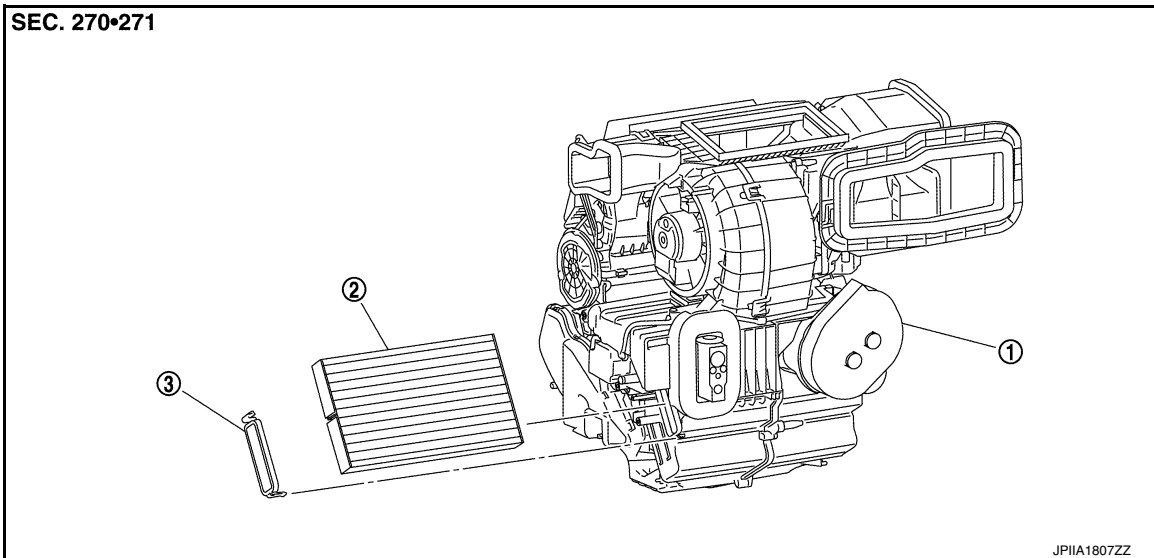
< PERIODIC MAINTENANCE >

## PERIODIC MAINTENANCE

### IN-CABIN MICROFILTER

Exploded View

INFOID:000000009330139



1. Heating and cooling unit assembly    2. In-cabin microfilter    3. Filter cover

### Removal and Installation

INFOID:000000009330140


VTL

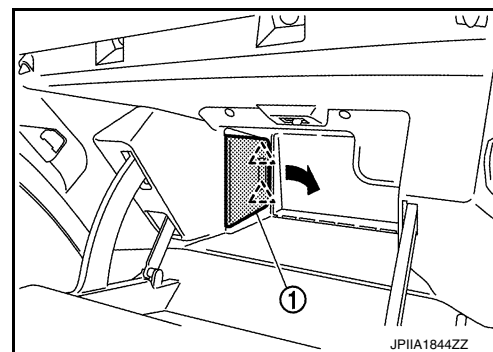
#### REMOVAL

##### NOTE:


When removing in-cabin microfilter, visually check the operation through glove box mask opening.

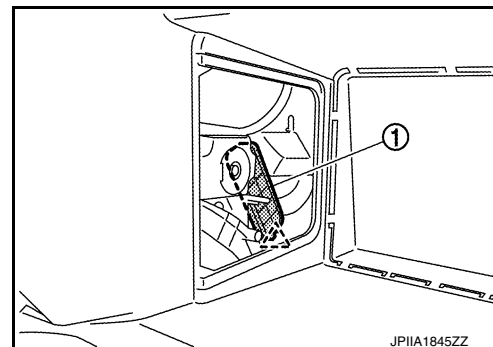
1. Remove instrument under cover RH. Refer to [IP-16, "Exploded View"](#).
2. Remove instrument lower cover RH. Refer to [IP-16, "Exploded View"](#)
3. Open glove box lid.
4. Disengage pawls, and then remove glove box mask (1).

 : Pawl



5. Disengage pawl, and then remove filter cover (1) from heating and cooling unit assembly.

 : Pawl



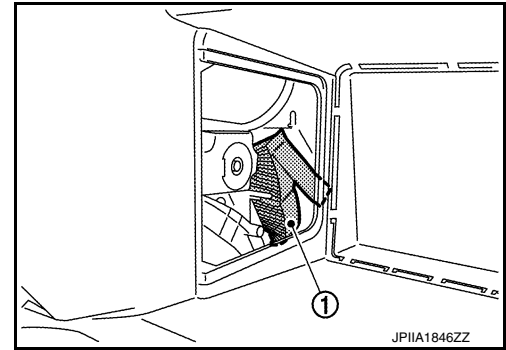
## IN-CABIN MICROFILTER

### < PERIODIC MAINTENANCE >

6. Pull out in-cabin microfilter (1) from heating and cooling unit assembly, and then remove in-cabin microfilter through bottom of glove box.

**CAUTION:**

If the filter is deformed/damaged when removing, replace it with a new one. Deformed/damaged filter may deteriorate the dust collecting performance.



### INSTALLATION

Note the following items, and then install in the reverse order of removal.

**NOTE:**

When installing in-cabin microfilter, visually check the operation through glove box mask opening.

**CAUTION:**

When installing, handle the filter with extreme care to avoid deforming/damaging.

# VENTILATION SYSTEM

< SYSTEM DESCRIPTION >

## SYSTEM DESCRIPTION

### VENTILATION SYSTEM

#### System Description

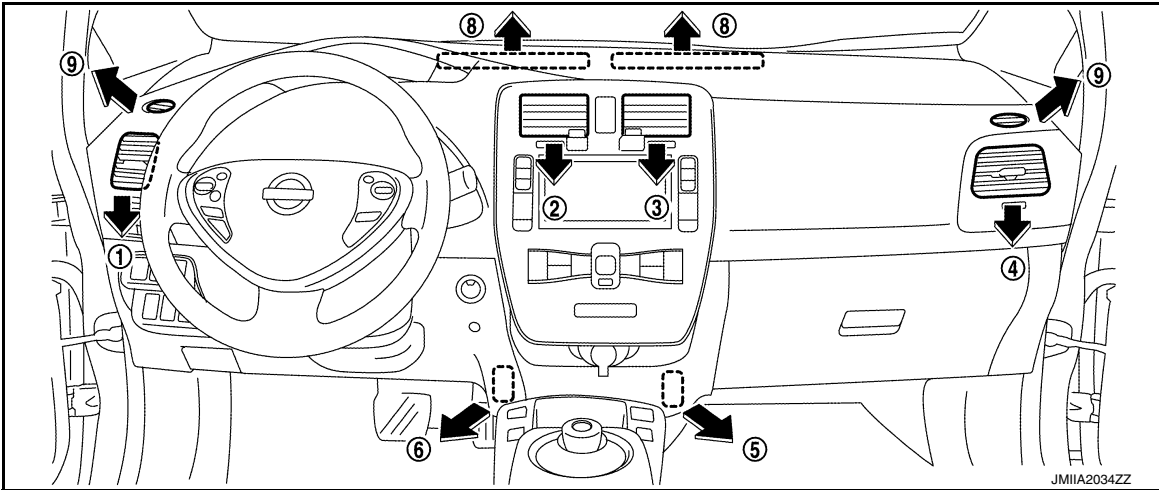
INFOID:000000008746078

#### DESCRIPTION

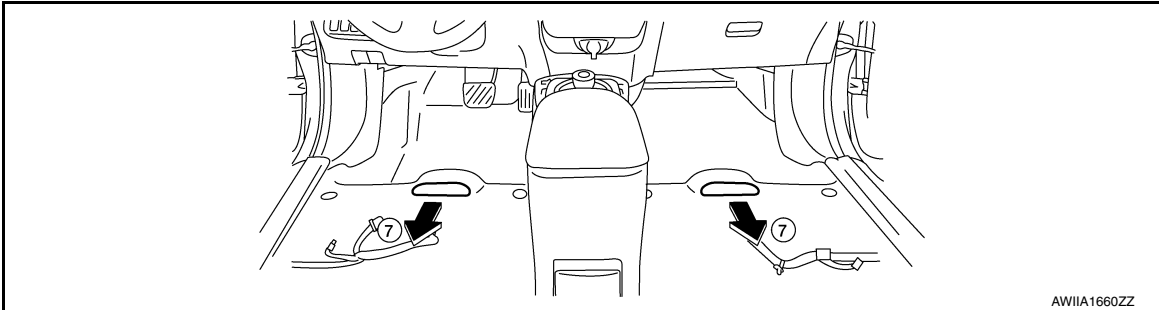
Ventilation system is controlled by the A/C auto amp. Refer to [HAC-25. "A/C Auto Amp." \(WITH HEAT PUMP\)](#) or [HAC-231. "A/C Auto Amp." \(WITHOUT HEAT PUMP\)](#).

#### OUTLETS AND AIR MIX RATIO

Front



Rear



MODE/ DEF setting	Air mix ratio (%)									
	Ventilator				Foot				Defroster	
	Left side (1)	Left center (2)	Right center (3)	Right side (4)	Front right (5)	Front left (6)	Rear left (7)	Rear right (7)	Front (8)	Side (9)
	25	25	25	25	–	–	–	–	–	–
	15	15	15	15	14	14	6	6	–	–
	7.5	–	–	7.5	22.5	22.5	10	10	10	10
	7.5	–	–	7.5	16	16	6.5	6.5	20	20
	7.5	–	–	7.5	–	–	–	–	42.5	42.5

A  
B  
C  
D  
E  
F  
G  
H  
VTL  
J  
K  
L  
M  
N  
O  
P

# DUCTS AND GRILLES

< REMOVAL AND INSTALLATION >

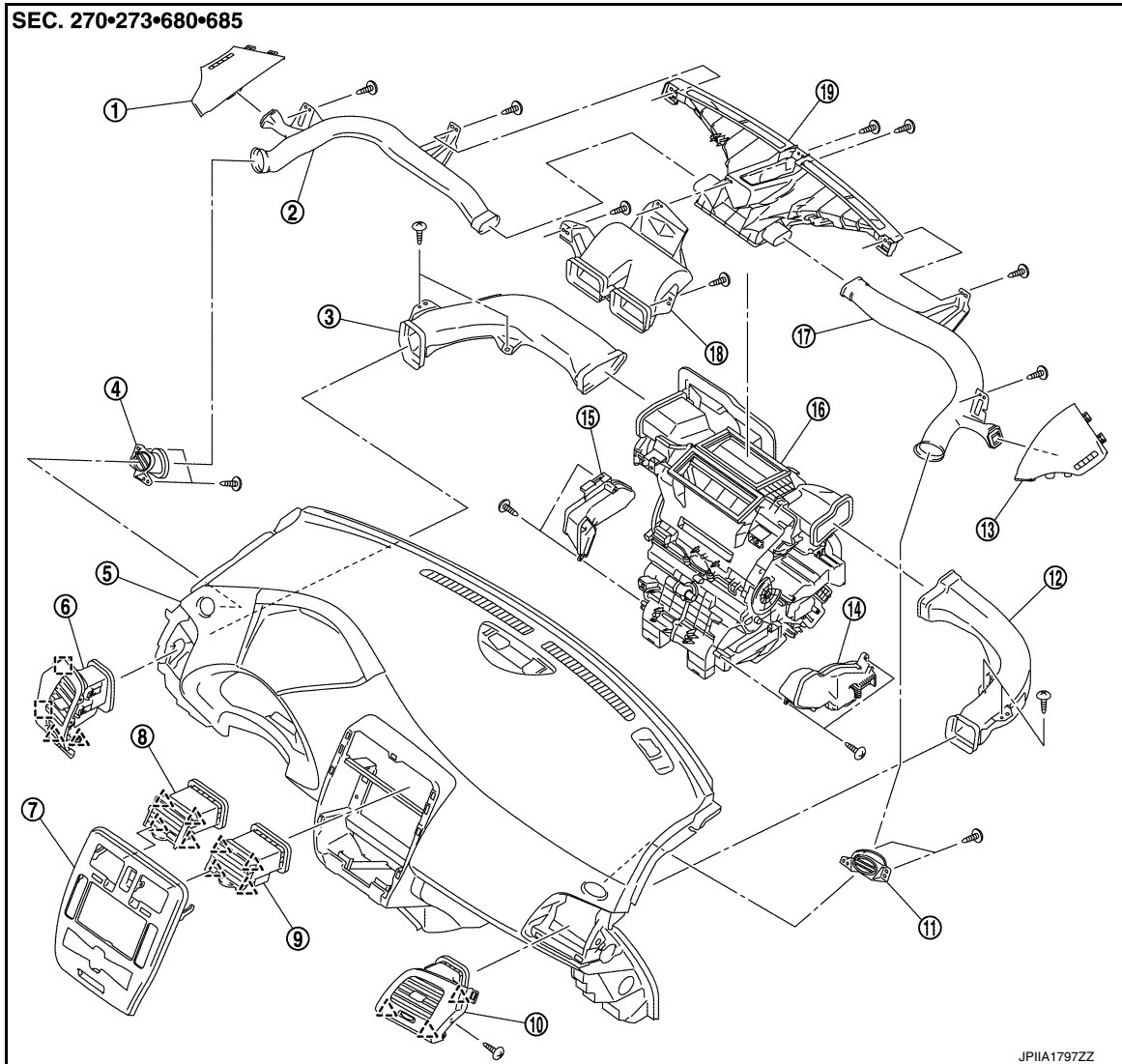
## REMOVAL AND INSTALLATION

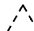
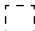
### DUCTS AND GRILLES

Exploded View

INFOID:000000008746079

FRONT



- |  |  |  |
|--|--|--|
| 1. Side defroster duct 2 LH<br>(Instrument side panel LH)  | 2. Side defroster duct 1 LH  | 3. Side ventilator duct LH   |
| 4. Side defroster grille LH                                | 5. Instrument panel assembly   | 6. Side ventilator grille LH   |
| 7. Cluster lid C   | 8. Center ventilator grille LH   | 9. Center ventilator grille RH   |
| 10. Side ventilator grille RH                              | 11. Side defroster grille RH   | 12. Side ventilator duct RH  |
| 13. Side defroster duct 2 RH<br>(Instrument side panel RH) | 14. Foot duct RH   | 15. Foot duct LH   |
| 16. Heating and cooling unit assembly                      | 17. Side defroster duct 1 RH   | 18. Center ventilator duct   |
| 19. Front defroster duct                                   |  Pawl |  Metal clip |

### CENTER VENTILATOR GRILLE

# DUCTS AND GRILLES


< REMOVAL AND INSTALLATION >

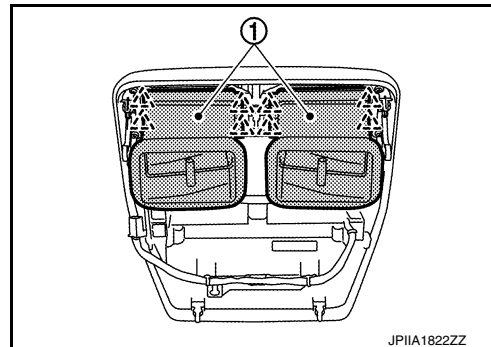
## CENTER VENTILATOR GRILLE : Removal and Installation

INFOID:000000008746080

### REMOVAL

1. Remove cluster lid C. Refer to [IP-17, "Removal and Installation"](#).
2. Disengage pawls, and then remove center ventilator grille (1) from cluster lid C.

 : Pawl



### INSTALLATION

Install in the reverse order of removal.

## SIDE VENTILATOR GRILLE


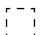
## SIDE VENTILATOR GRILLE : Removal and Installation

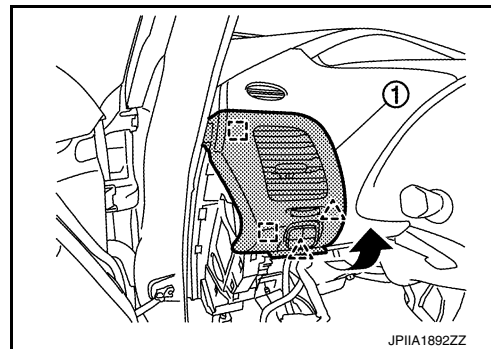
INFOID:000000008746081

### REMOVAL

Driver side

1. Remove instrument mask LH. Refer to [IP-17, "Removal and Installation"](#).
2. Remove instrument side panel LH. Refer to [INT-25, "INSTRUMENT SIDE PANEL : Removal and Installation"](#).
3. Remove front pillar garnish LH. Refer to [INT-26, "FRONT PILLAR GARNISH : Removal and Installation"](#).
4. Remove instrument lower panel LH. Refer to [IP-17, "Removal and Installation"](#).
5. Disengage side ventilator grille LH (1) pawls and metal clips.

 : Pawl  
 : Metal clip



6. Disconnect switch connector, and then remove side ventilator grille LH from instrument panel assembly.

Passenger side

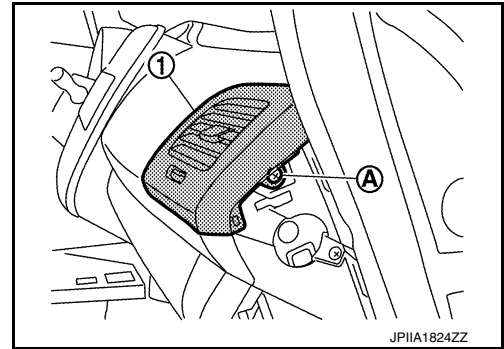
1. Remove instrument mask RH. Refer to [IP-17, "Removal and Installation"](#).
2. Remove instrument side panel RH. Refer to [INT-25, "INSTRUMENT SIDE PANEL : Removal and Installation"](#).
3. Remove front pillar garnish RH. Refer to [INT-26, "FRONT PILLAR GARNISH : Removal and Installation"](#).

A  
B  
C  
D  
E  
F  
G  
H  
VTL  
J  
K  
L  
M  
N  
O  
P

# DUCTS AND GRILLES

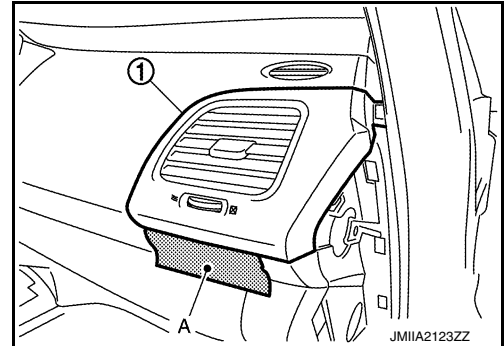
## < REMOVAL AND INSTALLATION >

4. Remove screw (A) from side ventilator grille RH (1).



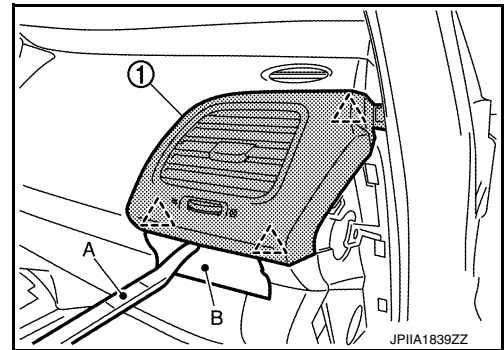
5. Apply protective tape (A) on the part to protect it from damage.

1. : Side ventilator grille RH



6. Disengage side ventilator grille RH (1) pawls using a suitable tool (A).

△ : Pawl



7. Remove side ventilator grille RH from instrument panel assembly.

## INSTALLATION

Install in the reverse order of removal.

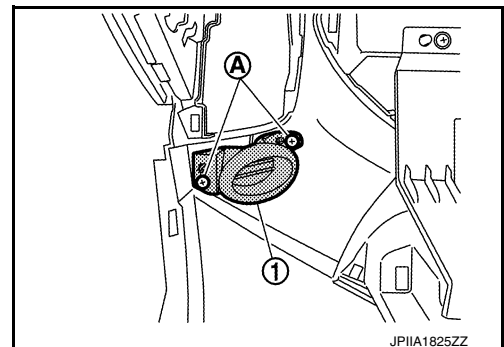
## SIDE DEFROSTER GRILLE

### SIDE DEFROSTER GRILLE : Removal and Installation

INFOID:000000008746082

## REMOVAL

1. Remove side defroster nozzle 1. Refer to [VTL-16. "SIDE DEFROSTER DUCT : Removal and Installation - Side Defroster Duct 1"](#).
2. Remove screws (A), and then remove side defroster grille (1) from instrument panel assembly.



# DUCTS AND GRILLES

< REMOVAL AND INSTALLATION >

## INSTALLATION

Install in the reverse order of removal.

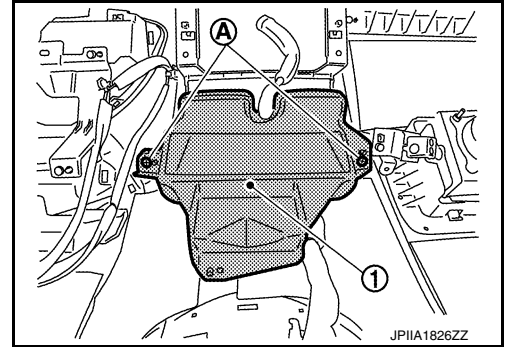
### CENTER VENTILATOR DUCT

#### CENTER VENTILATOR DUCT : Removal and Installation

INFOID:000000008746083

#### REMOVAL

1. Remove front defroster nozzle. Refer to [VTL-15, "FRONT DEFROSTER DUCT : Removal and Installation"](#).
2. Remove screws (A), and then remove center ventilator duct (1) from instrument panel assembly.



## INSTALLATION

Install in the reverse order of removal.

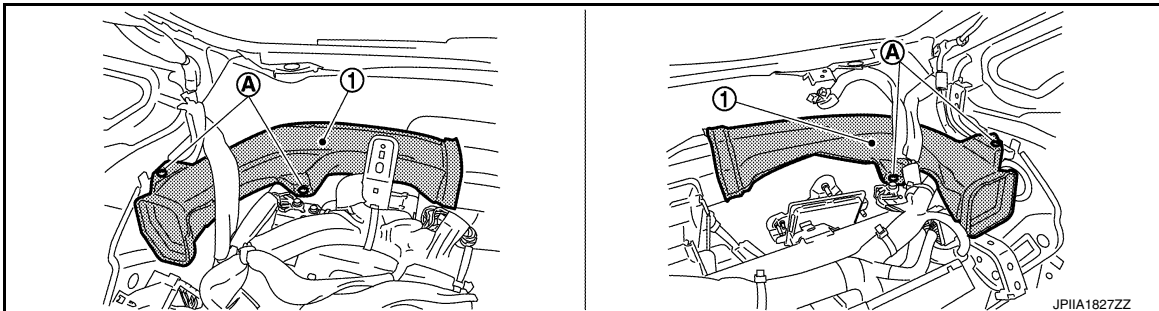
### SIDE VENTILATOR DUCT

#### SIDE VENTILATOR DUCT : Removal and Installation

INFOID:000000008746084

#### REMOVAL

1. Remove instrument panel assembly. Refer to [IP-17, "Removal and Installation"](#).
2. Remove screws (A), and then remove side ventilator duct (1) from the vehicle.



## INSTALLATION

Install in the reverse order of removal.

### FRONT DEFROSTER DUCT

#### FRONT DEFROSTER DUCT : Removal and Installation

INFOID:000000008746085

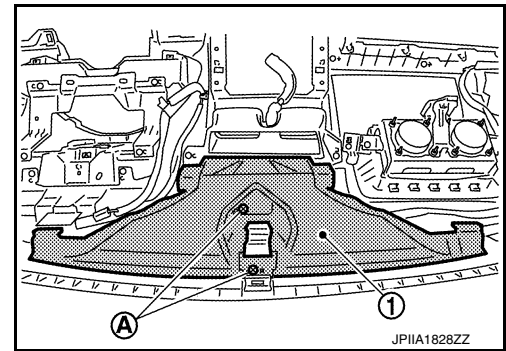
#### REMOVAL

1. Remove side defroster duct 1. Refer to [VTL-16, "SIDE DEFROSTER DUCT : Removal and Installation - Side Defroster Duct 1"](#).

## DUCTS AND GRILLES

### < REMOVAL AND INSTALLATION >

2. Remove screws (A), and then remove front defroster duct (1) from instrument panel assembly.



### INSTALLATION

Install in the reverse order of removal.

### SIDE DEFROSTER DUCT

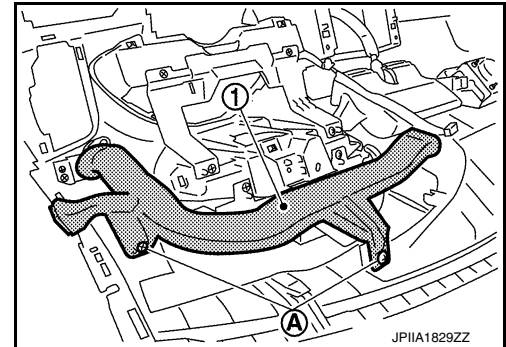
#### SIDE DEFROSTER DUCT : Removal and Installation - Side Defroster Duct 1

INFOID:000000008746086

### REMOVAL

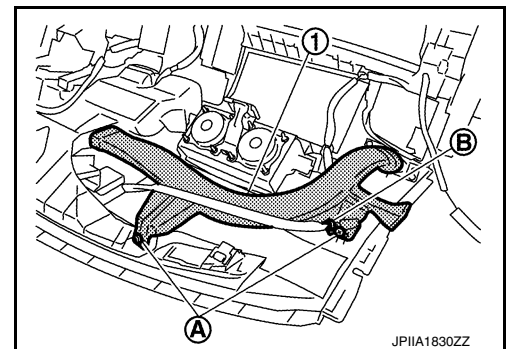
Driver side

1. Remove instrument panel assembly. Refer to [IP-17, "Removal and Installation"](#).
2. Remove screws (A), and then remove side defroster duct 1 (1) from instrument panel assembly.



Passenger side

1. Remove instrument panel assembly. Refer to [IP-17, "Removal and Installation"](#).
2. Remove screws (A) and harness clip (B), and then remove side defroster duct 1 (1) from instrument panel assembly.



### INSTALLATION

Install in the reverse order of removal.

#### SIDE DEFROSTER DUCT : Removal and Installation - Side Defroster Duct 2

INFOID:000000008746087

### REMOVAL

Remove instrument side panel. Refer to [INT-25, "INSTRUMENT SIDE PANEL : Removal and Installation"](#).



# DUCTS AND GRILLES

< REMOVAL AND INSTALLATION >

## INSTALLATION


Install in the reverse order of removal.

## FOOT DUCT

### FOOT DUCT : Removal and Installation

INFOID:000000008746088

#### DANGER:

 Since hybrid vehicles and electric vehicles contain a high voltage battery, there is the risk of electric shock, electric leakage, or similar accidents if the high voltage component and vehicle are handled incorrectly. Be sure to follow the correct work procedures when performing inspection and maintenance.

#### WARNING:

- Be sure to remove the service plug in order to disconnect the high voltage circuits before performing inspection or maintenance of high voltage system harnesses and parts.
- The removed service plug must always be carried in a pocket of the responsible worker or placed in the tool box during the procedure to prevent the plug from being connected by mistake.
- Be sure to wear insulating protective equipment consisting of glove, shoes, face shield and glasses before beginning work on the high voltage system.
- Never allow workers other than the responsible person to touch the vehicle containing high voltage parts. To keep others from touching the high voltage parts, these parts must be covered with an insulating sheet except when using them. Refer to [GI-34, "High Voltage Precautions"](#).

#### CAUTION:

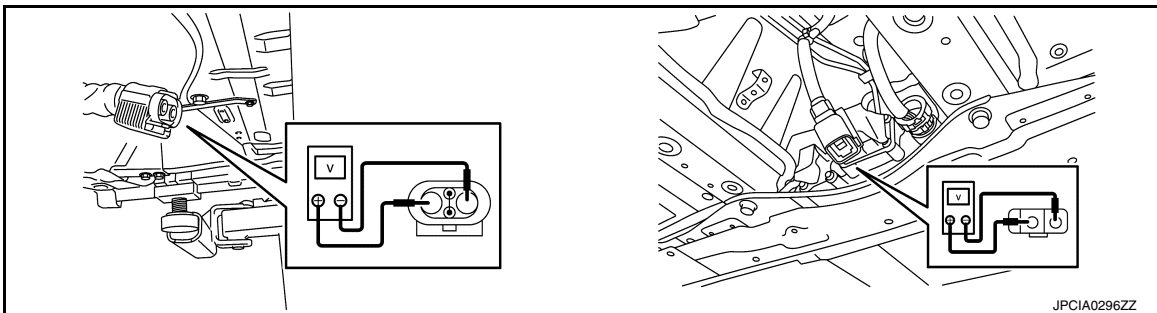
Never bring the vehicle into the READY status with the service plug removed unless otherwise instructed in the Service Manual. A malfunction may occur if this is not observed.

## REMOVAL


#### WARNING:

Disconnect the high voltage. Refer to [GI-33, "How to Disconnect High Voltage"](#).

1. Check voltage in high voltage circuit. (Check that condenser are discharged.)
  - a. Lift up the vehicle and remove the Li-ion battery under covers. Refer to [EVB-194, "Exploded View"](#).
  - b. Disconnect high voltage harness connector and PTC heater harness connector from front side of Li-ion battery. Refer to [EVB-194, "Removal and Installation"](#).
  - c. Measure voltage between high voltage harness connector terminals and PTC heater harness connector terminals.



#### DANGER:

 Touching high voltage components without using the appropriate protective equipment will cause electrocution.



Standard

: 5 V or less

#### CAUTION:

For voltage measurements, use a tester which can measure to 500 V or higher.

## REMOVAL

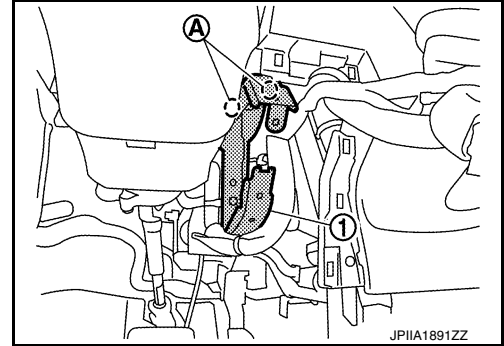
A  
B  
C  
D  
E  
F  
G  
H  
VTL  
J  
K  
L  
M  
N  
O  
P

## DUCTS AND GRILLES

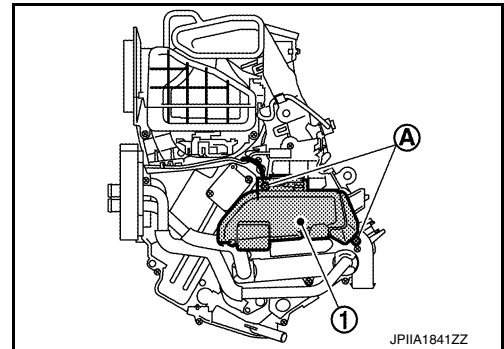
### < REMOVAL AND INSTALLATION >

#### Driver side

1. Remove instrument lower panel LH. Refer to [IP-17. "Removal and Installation"](#).
2. Remove knee protector.
3. Remove nuts (A), and then remove knee protector bracket (1).

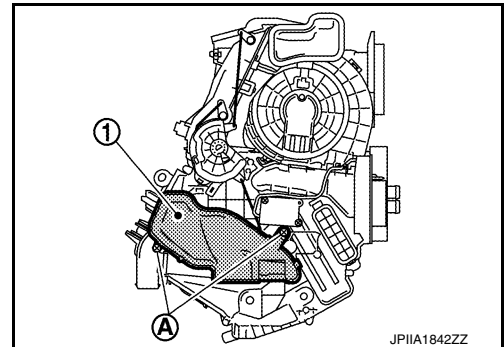


4. Disconnect harness connector.
5. Remove harness connector clamp.
6. Remove screws (A), and then remove foot duct (1).



#### Passenger side

1. Remove heating and cooling unit assembly. Refer to [HA-57. "HEATING AND COOLING UNIT ASSEMBLY : Removal and Installation"](#), (WITH HEAT PUMP SYSTEM) or [HA-114. "HEATING AND COOLING UNIT ASSEMBLY : Removal and Installation"](#) (WITHOUT HEAT PUMP SYSTEM).
2. Remove screws (A), and then remove foot duct (1).



## INSTALLATION

Install in the reverse order of removal.

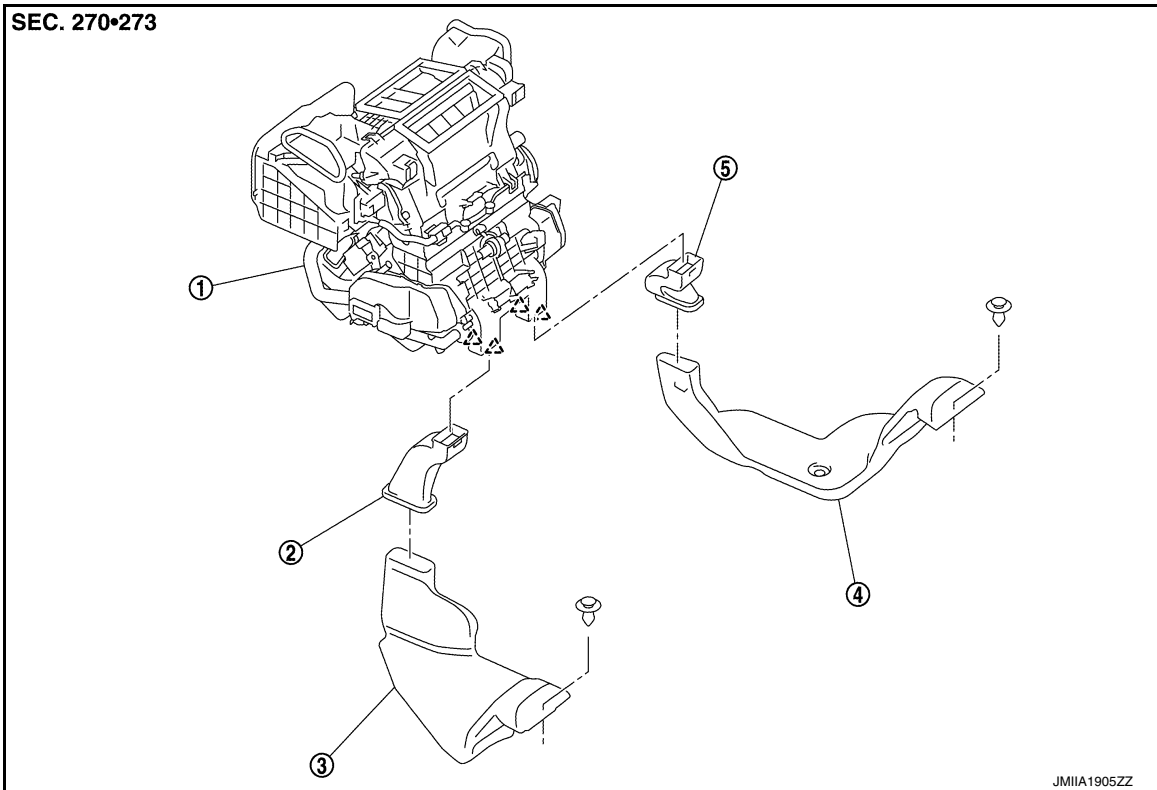
### REAR FOOT DUCT 1

# DUCTS AND GRILLES

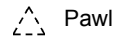
< REMOVAL AND INSTALLATION >

## REAR FOOT DUCT 1 : Exploded View

INFOID:000000009995922



- 1. Heating and cooling unit assembly
- 2. Rear foot duct 1 LH
- 3. Rear foot duct 2 LH
- 4. Rear foot duct 2 RH
- 5. Rear foot duct 1 RH



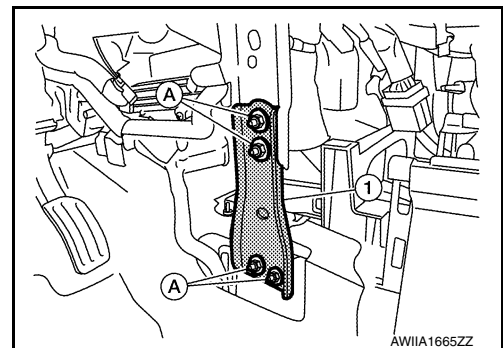
Pawl

## REAR FOOT DUCT 1 : Removal and Installation - LH

INFOID:000000008746089

### REMOVAL


1. Remove rear foot duct 2 LH. Refer to [VTL-20, "REAR FOOT DUCT 2 : Removal and Installation - LH"](#)
2. Remove instrument lower center cover. Refer to [IP-16, "Exploded View"](#).
3. Remove instrument lower cover LH. Refer to [IP-16, "Exploded View"](#).
4. Remove instrument under cover LH. Refer to [IP-16, "Exploded View"](#)
5. Remove instrument lower panel LH. Refer to [IP-16, "Exploded View"](#)
6. Remove nuts (A), and then remove instrument stay (1).

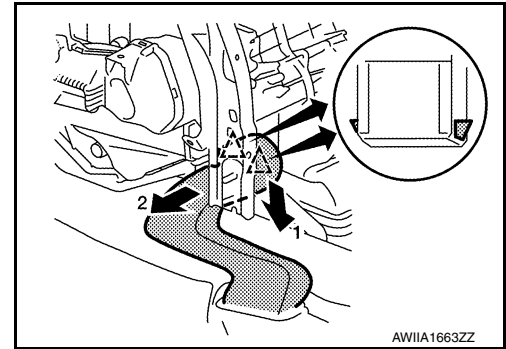


7. Disengage rear foot duct 1 LH pawls, and then remove rear foot duct 1 LH from the vehicle.

# DUCTS AND GRILLES

## < REMOVAL AND INSTALLATION >

 : Pawl



### INSTALLATION


Install in the reverse order of removal.

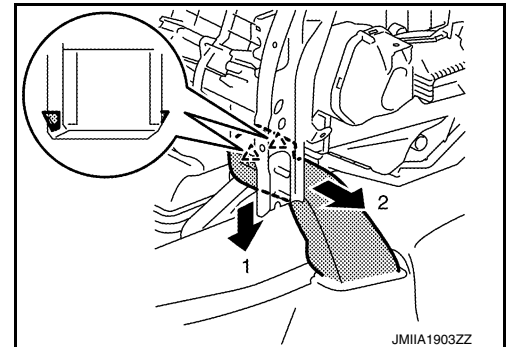
### REAR FOOT DUCT 1 : Removal and Installation - RH

INFOID:000000009336829

### REMOVAL

1. Remove rear foot duct 2 RH. Refer to [VTL-21, "REAR FOOT DUCT 2 : Removal and Installation - RH"](#).
2. Remove instrument lower center cover. Refer to [IP-16, "Exploded View"](#).
3. Remove instrument lower cover RH. Refer to [IP-16, "Exploded View"](#).
4. Disengage rear foot duct 1 RH pawls, and then remove rear foot duct 1 RH from the vehicle.

 : Pawl



### INSTALLATION

Install in the reverse order of removal.

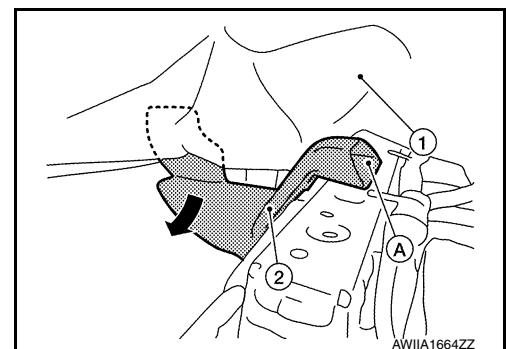
### REAR FOOT DUCT 2

### REAR FOOT DUCT 2 : Removal and Installation - LH

INFOID:000000008746090

### REMOVAL

1. Remove driver seat assembly. Refer to [SE-28, "Removal and Installation"](#).
2. Remove center pillar lower garnish LH. Refer to [INT-30, "CENTER PILLAR LOWER GARNISH : Removal and Installation"](#).
3. Remove dash side finisher LH. Refer to [INT-29, "DASH SIDE FINISHER : Removal and Installation"](#).
4. Fold back floor carpet (1).
5. Remove rear foot duct 2 LH clip (A), and then remove rear foot duct 2 LH (2) from the vehicle.



### INSTALLATION

# DUCTS AND GRILLES

## < REMOVAL AND INSTALLATION >

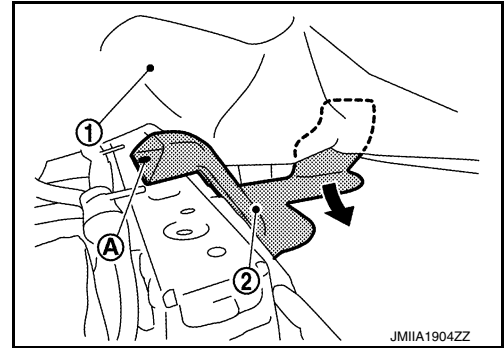
Install in the reverse order of removal.

### REAR FOOT DUCT 2 : Removal and Installation - RH

INFOID:000000009336828

#### REMOVAL

1. Remove passenger seat assembly. Refer to [SE-28, "Removal and Installation"](#).
2. Remove center pillar lower garnish RH. Refer to [INT-30, "CENTER PILLAR LOWER GARNISH : Removal and Installation"](#).
3. Remove dash side finisher RH. Refer to [INT-29, "DASH SIDE FINISHER : Removal and Installation"](#).
4. Fold back floor carpet (1).
5. Remove rear foot duct 2 RH clip (A), and then remove rear foot duct 2 RH (2) from the vehicle.



#### INSTALLATION

Install in the reverse order of removal.

A  
B  
C  
D  
E  
F  
G  
H  
J  
K  
L  
M  
N  
O  
P

VTL

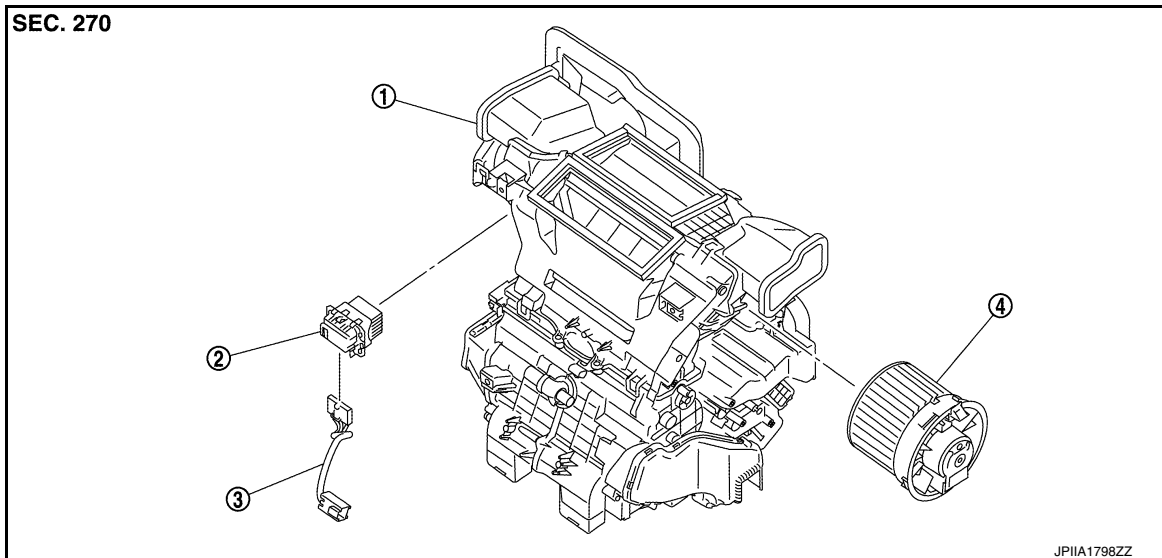
# BLOWER MOTOR

< REMOVAL AND INSTALLATION >

## BLOWER MOTOR

Exploded View

INFOID:000000008746091



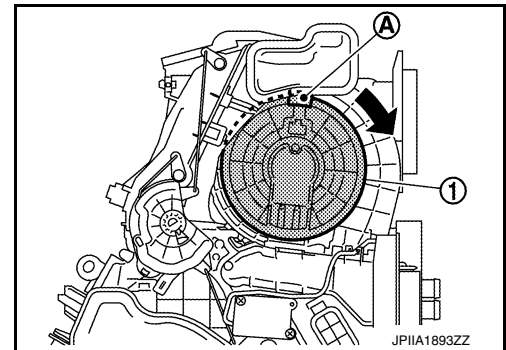
1. Heating and cooling unit assembly
2. Power transistor
3. Sub harness
4. Blower motor

## Removal and Installation

INFOID:000000008746092

### REMOVAL

1. Remove instrument under cover RH. Refer to [IP-16, "Exploded View"](#).
2. Remove glove box cover assembly. Refer to [IP-16, "Exploded View"](#).
3. Remove BCM. Refer to [BCS-86, "Removal and Installation"](#).
4. Disconnect blower motor harness connector.
5. Press flange holding hook (A), and then turn blower motor (1) clockwise.



6. Remove blower motor from heating and cooling unit assembly.

### INSTALLATION

Install in the reverse order of removal.

# SERVICE DATA AND SPECIFICATIONS (SDS)

< SERVICE DATA AND SPECIFICATIONS (SDS)

## SERVICE DATA AND SPECIFICATIONS (SDS)

SERVICE DATA AND SPECIFICATIONS (SDS)

In-cabin Microfilter

INFOID:000000008746096

Replacement interval	Refer to <a href="#">MA-9. "Schedule 1"</a> and <a href="#">MA-10. "Schedule 2"</a> .
----------------------	---

- A
- B
- C
- D
- E
- F
- G
- H
- VTL
- J
- K
- L
- M
- N
- O
- P