

SECTION **FAX**
FRONT AXLE

A
B
C

FAX

CONTENTS

E

PRECAUTION	2	FRONT DRIVE SHAFT BOOT	12	F
PRECAUTIONS	2	Exploded View	12	
Precaution for Technicians Using Medical Electric.....	2	WHEEL SIDE	13	G
Point to Be Checked Before Starting Maintenance		WHEEL SIDE : Removal and Installation	13	
Work	2	REDUCTION GEAR SIDE	16	H
Precaution for Supplemental Restraint System		REDUCTION GEAR SIDE : Removal and Installa-		
(SRS) "AIR BAG" and "SEAT BELT PRE-TEN-		tion	16	
SIONER"	2	Inspection	16	
Precaution for Removing 12V Battery	3	FRONT DRIVE SHAFT	17	I
Precautions for Drive Shaft	3	Exploded View	17	
PREPARATION	4	LEFT SIDE	17	J
PREPARATION	4	LEFT SIDE : Removal and Installation	18	
Special Service Tools	4	RIGHT SIDE	19	K
Commercial Service Tools	5	RIGHT SIDE : Removal and Installation	19	
SYMPTOM DIAGNOSIS	6	UNIT DISASSEMBLY AND ASSEMBLY ...	22	L
NOISE, VIBRATION AND HARSHNESS		FRONT DRIVE SHAFT	22	
(NVH) TROUBLESHOOTING	6	Exploded View	22	
NVH Troubleshooting Chart	6	WHEEL SIDE	23	M
PERIODIC MAINTENANCE	7	WHEEL SIDE : Disassembly and Assembly	23	
FRONT WHEEL HUB AND KNUCKLE	7	REDUCTION GEAR SIDE	25	N
Inspection	7	REDUCTION GEAR SIDE : Disassembly and As-		
FRONT DRIVE SHAFT	8	sembly	25	
Inspection	8	Inspection	31	
REMOVAL AND INSTALLATION	9	SERVICE DATA AND SPECIFICATIONS		O
FRONT WHEEL HUB AND KNUCKLE	9	(SDS)	32	
Exploded View	9	SERVICE DATA AND SPECIFICATIONS		P
Removal and Installation	9	(SDS)	32	
Inspection	11	Wheel Bearing	32	
		Drive Shaft	32	

PRECAUTIONS

< PRECAUTION >

PRECAUTION

PRECAUTIONS

Precaution for Technicians Using Medical Electric

INFOID:000000010121649

OPERATION PROHIBITION

WARNING:

- Parts with strong magnet is used in this vehicle.
- Technicians using a medical electric device such as pacemaker must never perform operation on the vehicle, as magnetic field can affect the device function by approaching to such parts.

NORMAL CHARGE PRECAUTION

WARNING:

- If a technician uses a medical electric device such as an implantable cardiac pacemaker or an implantable cardioverter defibrillator, the possible effects on the devices must be checked with the device manufacturer before starting the charge operation.
- As radiated electromagnetic wave generated by PDM (Power Delivery Module) at normal charge operation may affect medical electric devices, a technician using a medical electric device such as implantable cardiac pacemaker or an implantable cardioverter defibrillator must not approach motor room [PDM (Power Delivery Module)] at the hood-opened condition during normal charge operation.

PRECAUTION AT TELEMATICS SYSTEM OPERATION

WARNING:

- If a technician uses implantable cardiac pacemaker or implantable cardioverter defibrillator (ICD), avoid the device implanted part from approaching within approximately 220 mm (8.66 in) from interior/exterior antenna.
- The electromagnetic wave of TCU might affect the function of the implantable cardiac pacemaker or the implantable cardioverter defibrillator (ICD), when using the service, etc.
- If a technician uses other medical electric devices than implantable cardiac pacemaker or implantable cardioverter defibrillator (ICD), the electromagnetic wave of TCU might affect the function of the device. The possible effects on the devices must be checked with the device manufacturer before TCU use.

PRECAUTION AT INTELLIGENT KEY SYSTEM OPERATION

WARNING:

- If a technician uses implantable cardiac pacemaker or implantable cardioverter defibrillator (ICD), avoid the device implanted part from approaching within approximately 220 mm (8.66 in) from interior/exterior antenna.
- The electromagnetic wave of Intelligent Key might affect the function of the implantable cardiac pacemaker or the implantable cardioverter defibrillator (ICD), at door operation, at each request switch operation, or at engine starting.
- If a technician uses other medical electric devices than implantable cardiac pacemaker or implantable cardioverter defibrillator (ICD), the electromagnetic wave of Intelligent Key might affect the function of the device. The possible effects on the devices must be checked with the device manufacturer before Intelligent Key use.

Point to Be Checked Before Starting Maintenance Work

INFOID:000000010121650

The high voltage system may starts automatically. It is required to check that the timer air conditioner and timer charge (during EVSE connection) are not set before starting maintenance work.

NOTE:

If the timer air conditioner or timer charge (during EVSE connection) is set, the high voltage system starts automatically even when the power switch is in OFF state.

Precaution for Supplemental Restraint System (SRS) "AIR BAG" and "SEAT BELT PRE-TENSIONER"

INFOID:000000010121651

The Supplemental Restraint System such as "AIR BAG" and "SEAT BELT PRE-TENSIONER", used along with a front seat belt, helps to reduce the risk or severity of injury to the driver and front passenger for certain types of collision. This system includes seat belt switch inputs and dual stage front air bag modules. The SRS

PRECAUTIONS

< PRECAUTION >

system uses the seat belt switches to determine the front air bag deployment, and may only deploy one front air bag, depending on the severity of a collision and whether the front occupants are belted or unbelted. Information necessary to service the system safely is included in the SR and SB section of this Service Manual.

WARNING:

- To avoid rendering the SRS inoperative, which could increase the risk of personal injury or death in the event of a collision which would result in air bag inflation, all maintenance must be performed by an authorized NISSAN/INFINITI dealer.
- Improper maintenance, including incorrect removal and installation of the SRS, can lead to personal injury caused by unintentional activation of the system. For removal of Spiral Cable and Air Bag Module, see the SR section.
- Do not use electrical test equipment on any circuit related to the SRS unless instructed to in this Service Manual. SRS wiring harnesses can be identified by yellow and/or orange harnesses or harness connectors.

PRECAUTIONS WHEN USING POWER TOOLS (AIR OR ELECTRIC) AND HAMMERS

WARNING:

- When working near the Airbag Diagnosis Sensor Unit or other Airbag System sensors with the Ignition ON or engine running, DO NOT use air or electric power tools or strike near the sensor(s) with a hammer. Heavy vibration could activate the sensor(s) and deploy the air bag(s), possibly causing serious injury.
- When using air or electric power tools or hammers, always switch the Ignition OFF, disconnect the battery and wait at least three minutes before performing any service.

Precaution for Removing 12V Battery

INFOID:000000010121652

1. Check that EVSE is not connected.

NOTE:

If EVSE is connected, the air conditioning system may be automatically activated by the timer A/C function.

2. Turn the power switch OFF → ON → OFF. Get out of the vehicle. Close all doors (including back door).
3. Check that the charge status indicator lamp does not blink and wait for 5 minutes or more.

NOTE:

If the battery is removed within 5 minutes after the power switch is turned OFF, plural DTCs may be detected.

4. Remove 12V battery within 1 hour after turning the power switch OFF → ON → OFF.

NOTE:

- The 12V battery automatic charge control may start automatically even when the power switch is in OFF state.
- Once the power switch is turned ON → OFF, the 12V battery automatic charge control does not start for approximately 1 hour.

CAUTION:

- After all doors (including back door) are closed, if a door (including back door) is opened before battery terminals are disconnected, start over from Step 1.
- After turning the power switch OFF, if "Remote A/C" is activated by user operation, stop the air conditioner and start over from Step 1.

Precautions for Drive Shaft

INFOID:000000010121653

Observe the following precautions when disassembling and assembling drive shaft.

- Never disassemble joint sub-assembly because it is non-overhaul parts.
- Perform work in a location which is as dust-free as possible.
- Clean the parts, before disassembling and assembling.
- Prevent the entry of foreign objects during disassembly of the service location.
- Reassemble disassembled parts carefully in the correct order. If work is interrupted, a clean cover must be placed over parts.
- Use paper waste. Fabric shop cloths must not be used because of the danger of lint adhering to parts.
- Clean disassembled parts (except for rubber parts) with kerosene which shall be removed by blowing with air or wiping with paper waste.

PREPARATION

< PREPARATION >

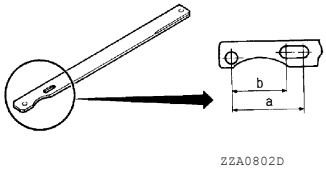
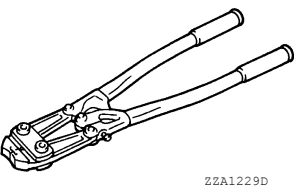

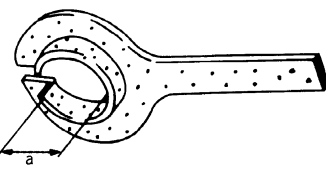
PREPARATION

PREPARATION

Special Service Tools

INFOID:000000010121654

The actual shape of the tools may differ from those illustrated here.

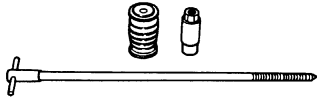
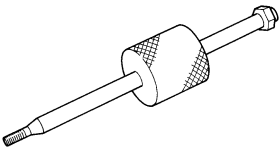
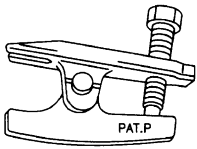

Tool number (TechMate No.) Tool name	Description
KV40104000 (—) Hub lock nut wrench  <p style="text-align: center;">ZZA0802D</p>	Removing and Installing wheel hub lock nut. a: 85 mm (3.35 in) b: 65 mm (2.56 in)
KV40107300 (—) Boot band crimping tool  <p style="text-align: center;">ZZA1229D</p>	Installing boot band
KV40107500 (—) Drive shaft attachment  <p style="text-align: center;">ZZA1230D</p>	Removing drive shaft
KV38107900 (—) Protector  <p style="text-align: center;">PDIA1183J</p>	Installing drive shaft a: 32 mm (1.26 in) dia.

PREPARATION

< PREPARATION >

Commercial Service Tools

INFOID:000000010121655

Tool name	Description
<p>Drive shaft puller</p>  <p>JPDIG0152ZZ</p>	<p>Removing drive shaft joint sub assembly</p>
<p>Sliding hammer</p>  <p>ZZA0023D</p>	<p>Removing drive shaft</p>
<p>Ball joint remover</p>  <p>PAT.P</p> <p>NT146</p>	<p>Removing hub bolt</p>
<p>Power tool</p>  <p>PIIB1407E</p>	<p>Loosening nuts, screws and bolts</p>

A
B
C
FAX
E
F
G
H
I
J
K
L
M
N
O
P

NOISE, VIBRATION AND HARSHNESS (NVH) TROUBLESHOOTING

< SYMPTOM DIAGNOSIS >

SYMPTOM DIAGNOSIS

NOISE, VIBRATION AND HARSHNESS (NVH) TROUBLESHOOTING

NVH Troubleshooting Chart

INFOID:000000010121656

Use chart below to find the cause of the symptom. If necessary, repair or replace these parts.

Reference			—	FAX-31	—	FAX-9	—	FAX-7	FSU-9	—	WT-42	WT-42	—	BR-479	ST-31	
Possible cause and SUSPECTED PARTS			Excessive joint angle	Joint sliding resistance	Imbalance	Improper installation, looseness	Parts interference	Wheel bearing damage	FRONT SUSPENSION	FRONT AXLE	TIRE	ROAD WHEEL	DRIVE SHAFT	BRAKE	STEERING	
Symptom	DRIVE SHAFT	Noise	x	x				x	x	x	x	x		x	x	
		Shake	x		x				x	x	x	x		x	x	
	FRONT AXLE	Noise				x	x	x	x		x	x	x	x	x	x
		Shake				x	x	x	x		x	x	x	x	x	x
		Vibration				x	x	x	x		x			x		x
		Shimmy				x	x		x		x	x			x	x
		Shudder				x			x		x	x			x	x
		Poor quality ride or handling				x	x		x		x	x				

x: Applicable

FRONT WHEEL HUB AND KNUCKLE

< PERIODIC MAINTENANCE >

PERIODIC MAINTENANCE

FRONT WHEEL HUB AND KNUCKLE

Inspection

INFOID:000000010121657

COMPONENT PART

Check that the mounting conditions (looseness, backlash) of each component and component conditions (wear, damage) are normal.

WHEEL HUB ASSEMBLY (BEARING-INTEGRATED TYPE)

Check the following items, and replace the part if necessary.

- Move wheel hub assembly in the axial direction by hand. Check there is no looseness of wheel bearing.

Axial end play : Refer to [FAX-32, "Wheel Bearing"](#).

- Rotate wheel hub assembly and check there is no unusual noise or other irregular conditions. If there is any of irregular conditions, replace wheel hub assembly.

A
B
C
FAX
E
F
G
H
I
J
K
L
M
N
O
P

FRONT DRIVE SHAFT

< PERIODIC MAINTENANCE >

FRONT DRIVE SHAFT

Inspection

INFOID:000000010121658

Check the following items, and replace the part if necessary.

- Check drive shaft mounting point and joint for looseness and other damage.

CAUTION:

Replace entire drive shaft assembly when noise or vibration occurs from drive shaft.

- Check boot for cracks and other damage.

FRONT WHEEL HUB AND KNUCKLE

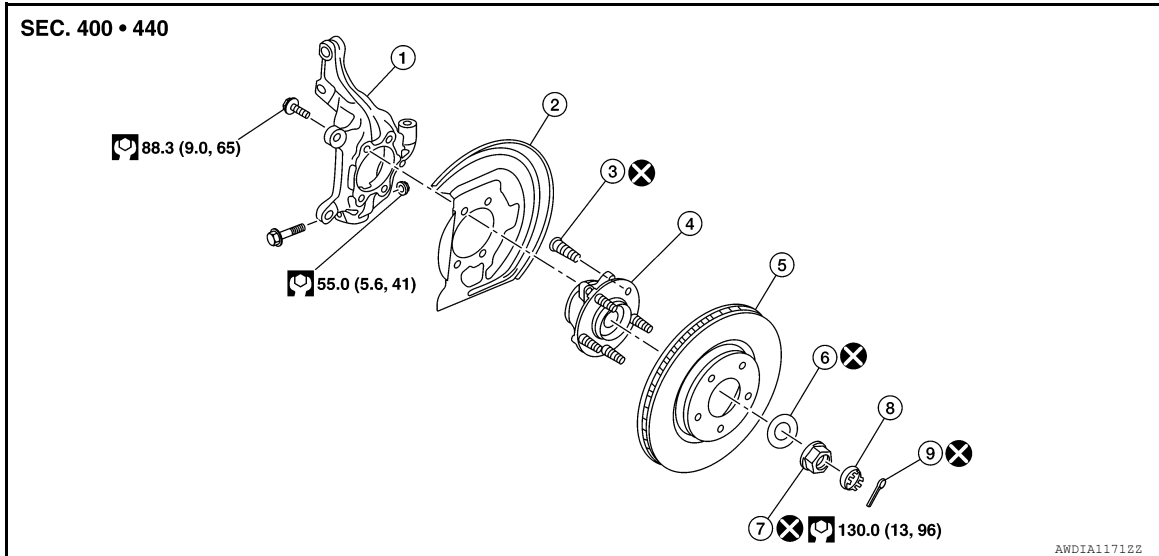
< REMOVAL AND INSTALLATION >

REMOVAL AND INSTALLATION

FRONT WHEEL HUB AND KNUCKLE

Exploded View

INFOID:000000010121659



- | | | |
|---|-----------------|---------------|
| 1. Steering knuckle | 2. Splash guard | 3. Hub bolt |
| 4. Wheel hub assembly (Bearing-integrated type) | 5. Disc rotor | 6. Washer |
| 7. Wheel hub lock nut | 8. Nut retainer | 9. Cotter pin |

Removal and Installation

INFOID:000000010121660

REMOVAL

1. Remove wheel and tire using power tool. Refer to [WT-45, "Exploded View"](#).
2. Remove wheel sensor and sensor harness. Refer to [BRC-158, "FRONT WHEEL SENSOR : Removal and Installation"](#).
3. Remove lock plate from strut assembly. Refer to [BR-503, "FRONT : Exploded View"](#).
4. Remove caliper assembly. Hang caliper assembly not to interfere with work. Refer to [BR-518, "BRAKE CALIPER ASSEMBLY : Removal and Installation"](#).

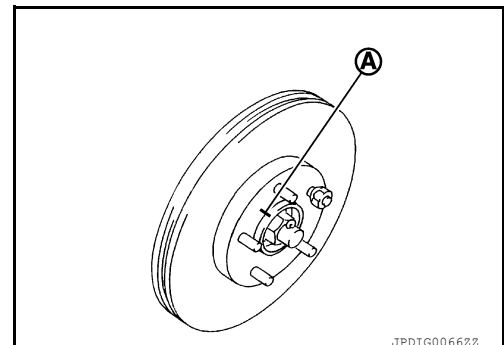
CAUTION:

Do not depress brake pedal while brake caliper is removed.

5. Remove disc rotor.

CAUTION:

- Put matching marks (A) on the wheel hub assembly and the disc rotor before removing the disc rotor.
- Do not drop disc rotor.



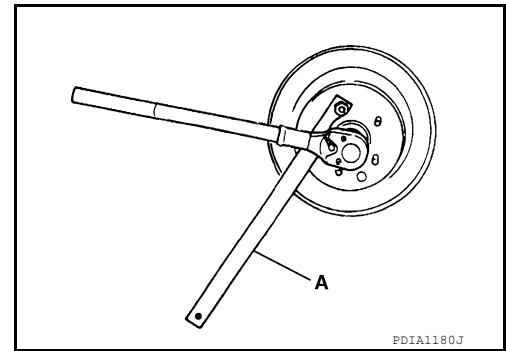
JPDIG00662Z

FRONT WHEEL HUB AND KNUCKLE

< REMOVAL AND INSTALLATION >

6. Remove cotter pin and nut retainer, and then loosen wheel hub lock nut, using Tool (A).

Tool number (A) : KV40104000 (—)



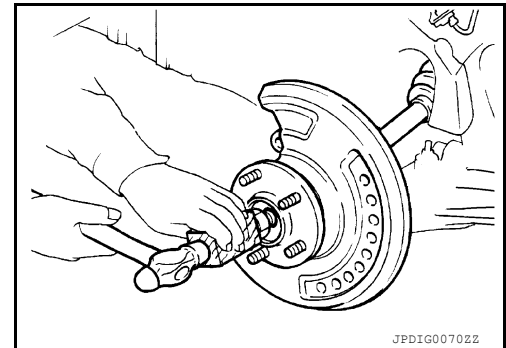
7. Patch wheel hub lock nut with a piece of wood. Hammer the wood to disengage wheel hub assembly from drive shaft.

CAUTION:

- Do not place drive shaft joint at an extreme angle. Also be careful not to overextend slide joint.
- Do not allow drive shaft to hang down without support for joint sub-assembly, shaft and the other parts.

NOTE:

Use suitable puller, if wheel hub assembly and drive shaft cannot be separated even after performing the above procedure.



8. Remove wheel hub lock nut and washer.

9. Separate steering knuckle from transverse link using power tool.

10. Suspend the drive shaft with suitable wire.

11. Remove wheel hub assembly and splash guard from steering knuckle using power tool.

12. Remove steering outer socket from steering knuckle. Refer to [ST-41. "Removal and Installation"](#).

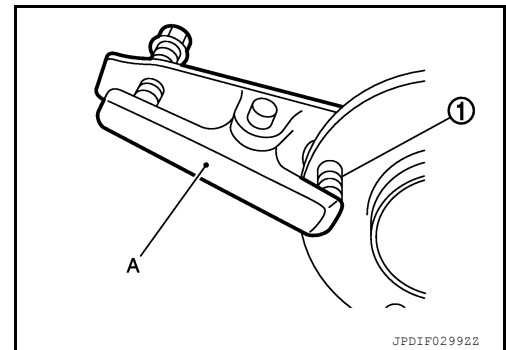
13. Remove strut assembly from steering knuckle using power tool. Refer to [FSU-13. "Removal and Installation"](#).

14. Remove hub bolts (1) from wheel hub assembly, using suitable tool (A).

CAUTION:

- Remove hub bolt only when necessary.
- Do not hammer the hub bolt to avoid impact to the wheel hub assembly.
- Pull out the hub bolt in a direction perpendicular to the wheel hub assembly.

15. Perform inspection after removal. Refer to [FAX-11. "Inspection"](#).



INSTALLATION

Note the following, and install in the reverse order of the removal.

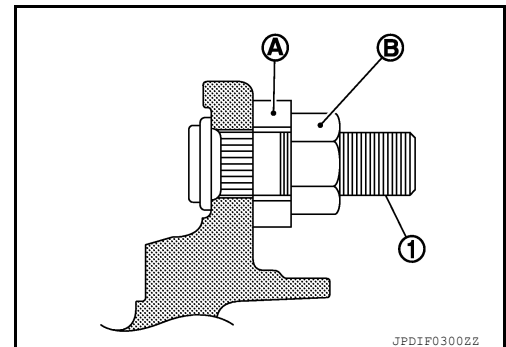
- Place a washer (A) as shown to install the hub bolts (1) by using the tightening force of the nut (B).

CAUTION:

- Check that there is no clearance between wheel hub assembly, and hub bolt.
 - Do not reuse hub bolt and washer.
- Do not reuse steering knuckle and transverse link fixing nut.
- Clean the matching surface of wheel hub lock nut and wheel hub assembly.

CAUTION:

Do not apply lubricating oil to these matching surface.



FRONT WHEEL HUB AND KNUCKLE

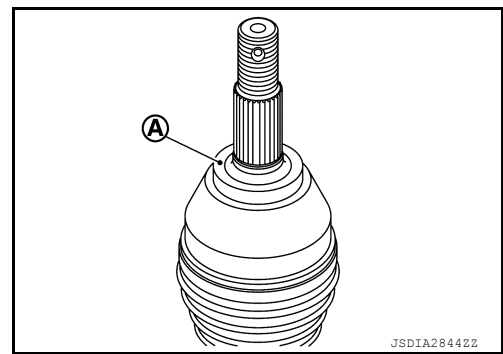
< REMOVAL AND INSTALLATION >

- Clean the matching surface of drive shaft, wheel hub assembly. And then apply paste [service parts (440037S000)] to surface (A) of joint sub-assembly of drive shaft.

CAUTION:

Apply paste to cover entire flat surface of joint sub-assembly of drive shaft.

Amount paste : 1.0 – 3.0 g (0.04 – 0.10 oz)



- Use the following torque for tightening the wheel hub lock nut. Refer to [FAX-17. "Exploded View"](#).

CAUTION:

- Since the drive shaft is assembled by press-fitting, use the tightening torque for the wheel hub lock nut.
- Be sure to use torque wrench to tighten the wheel hub lock nut. Do not use a power tool.
- Do not reuse wheel hub lock nut.

NOTE:

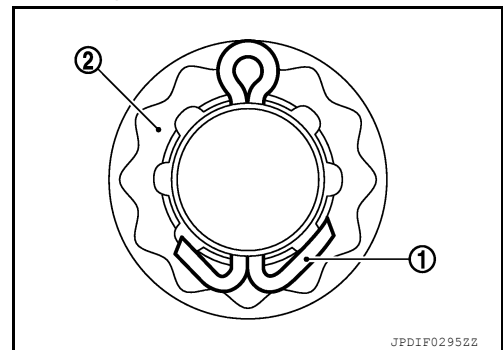
Wheel hub lock nut tightening torque does not over torque for avoiding axle noise, and does not less than torque for avoiding looseness.

- Align the matching marks that have been made during removal when reusing the disc rotor.
- When installing a cotter pin (1) and nut retainer (2), securely bend the basal portion to prevent rattles.

CAUTION:

Do not reuse cotter pin.

- Perform the final tightening of each of parts under unladen conditions, which were removed when removing wheel hub assembly and steering knuckle.
- Perform inspection after installation. Refer to [FAX-11. "Inspection"](#).



Inspection

INFOID:000000010121661

INSPECTION AFTER REMOVAL

Check the following items, and replace the part if necessary.

- Check components for deformation, cracks, and other damage.
- Check boots of transverse link and steering outer socket ball joint for breakage, axial end play, and swing torque.
- Transverse link: Refer to [FSU-17. "Inspection"](#).
- Steering outer socket: Refer to [ST-44. "Inspection"](#).

INSPECTION AFTER INSTALLATION

1. Check wheel sensor harness for proper connection. Refer to [BRC-158. "FRONT WHEEL SENSOR : Exploded View"](#).
2. Check the wheel alignment. Refer to [FSU-11. "Inspection"](#).
3. Adjust neutral position of steering angle sensor. Refer to [BRC-70. "Work Procedure"](#).

FRONT DRIVE SHAFT BOOT

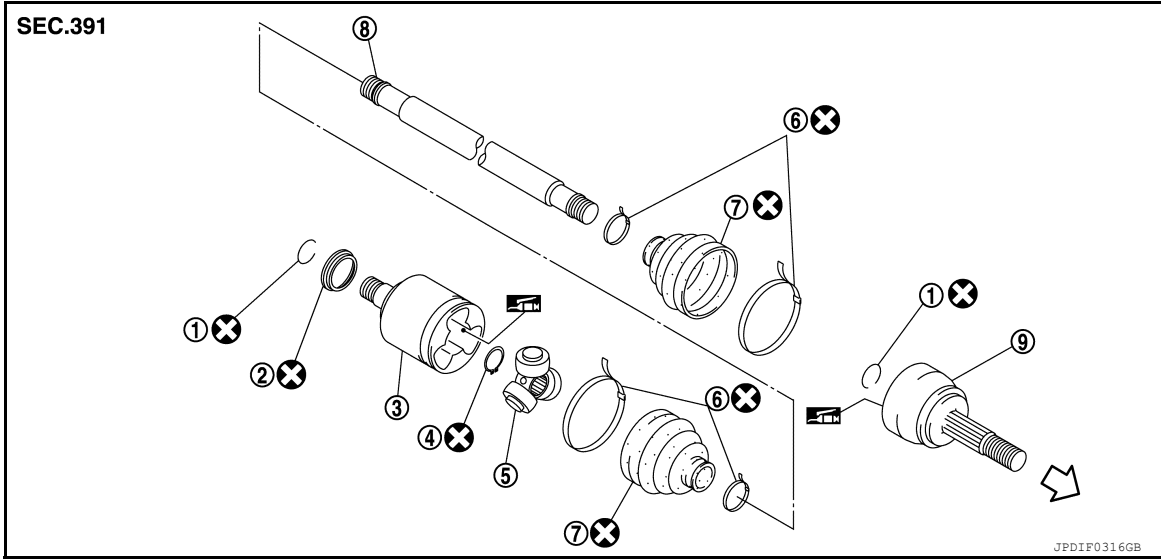
< REMOVAL AND INSTALLATION >

FRONT DRIVE SHAFT BOOT

Exploded View

INFOID:000000010121662

LEFT SIDE



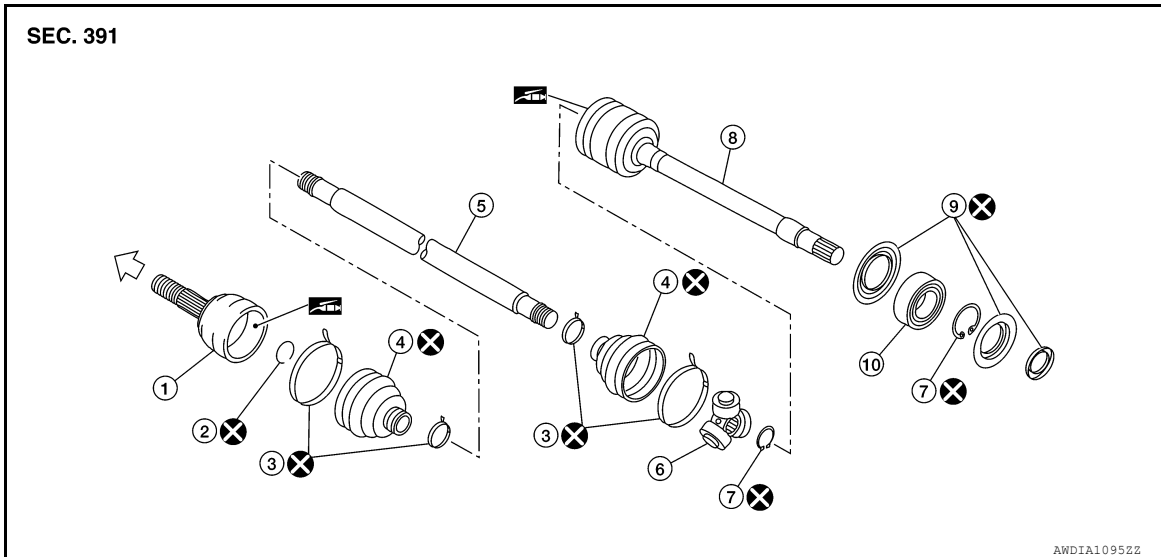
- | | | |
|------------------|--------------------|-----------------------|
| 1. Circular clip | 2. Dust shield | 3. Housing |
| 4. Snap ring | 5. Spider assembly | 6. Boot band |
| 7. Boot | 8. Shaft | 9. Joint sub-assembly |

← : Wheel side

⊗: Always replace after every disassembly.

🔧: Fill NISSAN Genuine grease or equivalent.

RIGHT SIDE



- | | | |
|-----------------------|------------------|--------------------|
| 1. Joint sub-assembly | 2. Circular clip | 3. Boot band |
| 4. Boot | 5. Shaft | 6. Spider assembly |
| 7. Snap ring | 8. Housing | 9. Dust shield |
| 10. Support bearing | ← Wheel side | |

FRONT DRIVE SHAFT BOOT

< REMOVAL AND INSTALLATION >

WHEEL SIDE

WHEEL SIDE : Removal and Installation

INFOID:000000010121663

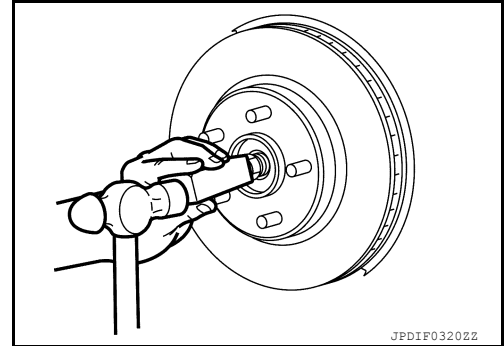
REMOVAL

1. Remove wheel and tire using power tool. Refer to [WT-45. "Exploded View"](#).
2. Remove cotter pin and nut retainer, and then loosen wheel hub lock nut. Refer to [FAX-9. "Removal and Installation"](#).
3. Patch wheel hub lock nut with a piece of wood. Hammer the wood to disengage wheel hub assembly from drive shaft.

NOTE:

Use suitable puller, if wheel hub assembly and drive shaft cannot be separated even after performing the above procedure.

4. Remove wheel hub lock nut and washer. Refer to [FAX-9. "Removal and Installation"](#).
5. Remove steering outer socket from steering knuckle. Refer to [ST-41. "Removal and Installation"](#).
6. Remove transverse link from steering knuckle using power tool. Refer to [FAX-9. "Exploded View"](#).
7. Remove drive shaft from wheel hub assembly.



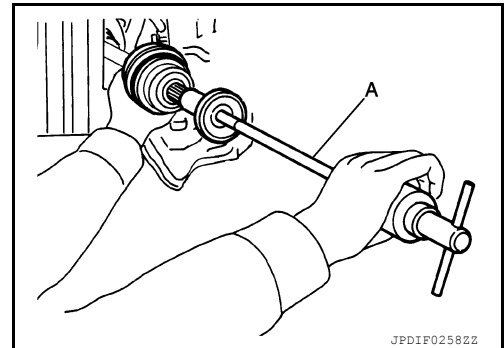
CAUTION:

- Do not place drive shaft joint at an extreme angle. Also be careful not to overextend slide joint.
- Do not allow drive shaft to hang down without support for joint sub-assembly, shaft and the other parts.

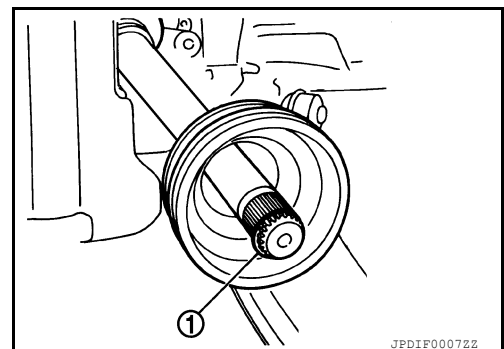
8. Remove boot bands, and then remove boot from joint sub-assembly.
9. Screw suitable tool (A) into joint sub-assembly screw part to a length of 30 mm (1.18 in) or more. Support drive shaft with one hand and pull out joint sub-assembly from shaft.

CAUTION:

- Align drive shaft puller and drive shaft and remove them by pulling firmly and uniformly.
- If joint sub-assembly cannot be pulled out, try after removing drive shaft from vehicle. Refer to [FAX-23. "WHEEL SIDE : Disassembly and Assembly"](#).



10. Remove circular clip (1) from shaft.
11. Remove boot from shaft.



INSTALLATION

1. Clean the old grease on joint sub-assembly with paper waste.

FRONT DRIVE SHAFT BOOT

< REMOVAL AND INSTALLATION >

2. Fill serration slot joint sub-assembly (1) with NISSAN genuine grease or equivalent until the serration slot and ball groove become full to the brim.

CAUTION:

After applying grease, use a paper waste to wipe off old grease that has oozed out.

3. Install boot and boot bands to shaft.

CAUTION:

- Wrap serration on shaft with tape to protect the boot from damage.
- Do not reuse boot and boot band.

4. Remove the tape wrapped around the serration on shaft.

5. Position the circular clip (1) on groove at the shaft edge.

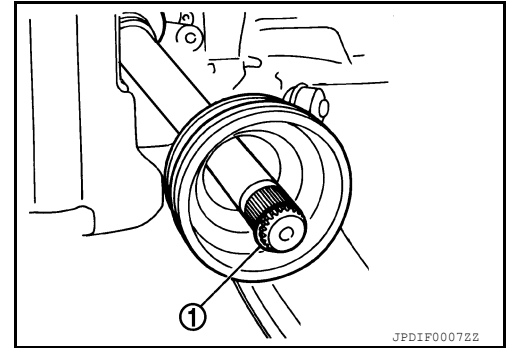
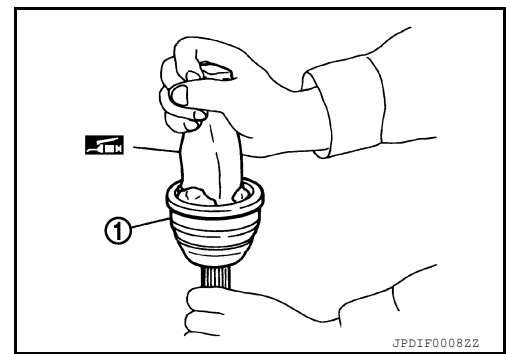
CAUTION:

Do not reuse circular clip.

NOTE:

Drive joint inserter is recommended when installing circular clip.

6. Align both center axes of the shaft edge and joint sub-assembly. Then assemble shaft with joint sub-assembly holding circular clip.



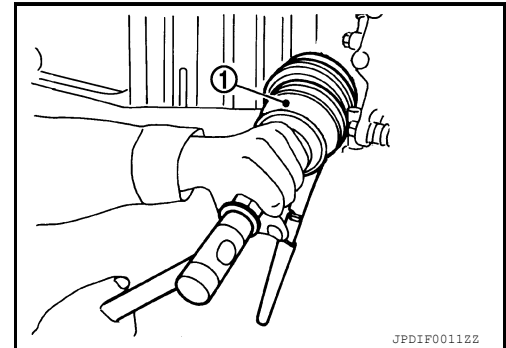
7. Install joint sub-assembly (1) to shaft using plastic hammer.

CAUTION:

- Check circular clip is properly positioned on groove of the joint sub-assembly.
- Confirm that joint sub-assembly is correctly engaged while rotating drive shaft.

8. Apply the specified amount of grease into the boot inside from large diameter side of boot.

Grease amount : Refer to [FAX-32, "Drive Shaft"](#).



9. Install the boot securely into grooves (indicated by "*" marks) as shown.

(L) : Boot installation length

CAUTION:

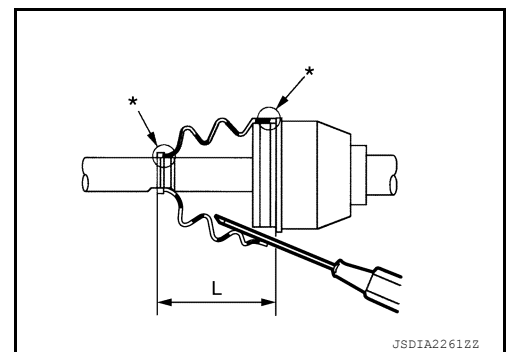
If grease adheres to the boot mounting surface (indicated by "*" marks) on the shaft or joint sub-assembly, boot may be removed. Remove all grease from the boot mounting surface.

10. To prevent the deformation of the boot, adjust the boot installation length to the specified value by inserting the suitable tool into inside of the boot from the large diameter side of the boot and discharging the inside air.

Boot installation length : Refer to [FAX-32, "Drive Shaft"](#).

CAUTION:

- If the boot installation length exceeds the standard, it may cause breakage of the boot.
- Be careful not to touch the inside of the boot with a tip of tool.



FRONT DRIVE SHAFT BOOT

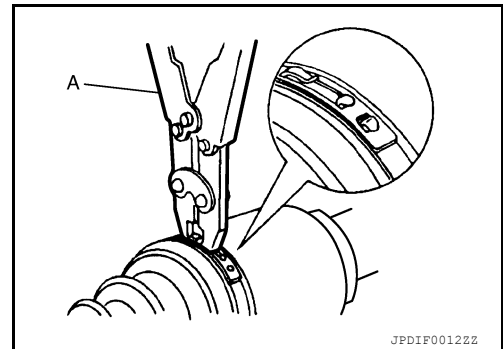
< REMOVAL AND INSTALLATION >

11. Secure the large and small ends of the boot with boot bands using Tool (A).

Tool number (A) : KV40107300 (—)

CAUTION:

- Do not reuse boot band.



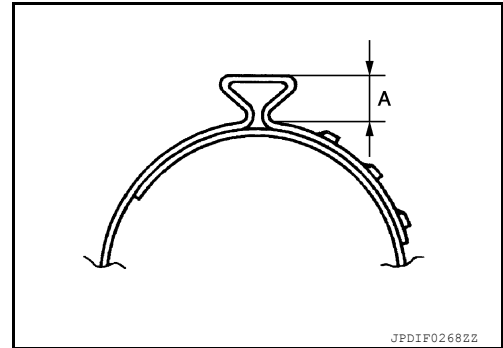
- Secure boot band so that dimension (A) meets the specification as shown.

(A) : 7.0 mm (0.276 in) or less.

12. Check that displacement does not occur when boot is rotated with the joint sub-assembly and shaft fixed.

CAUTION:

- Reinstall them using boot bands when boot installation positions become incorrect.
- Do not reuse boot band.



13. Clean the matching surface of wheel hub lock nut and wheel hub assembly.

CAUTION:

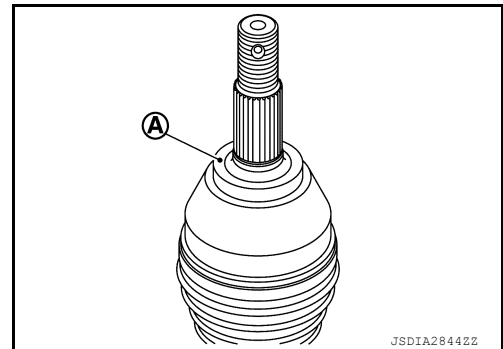
Do not apply lubricating oil to these matching surface.

14. Clean the matching surface of drive shaft, wheel hub assembly. And then apply paste [service parts (440037S000)] to surface (A) of joint sub-assembly of drive shaft.

CAUTION:

Apply paste to cover entire flat surface of joint sub-assembly of drive shaft.

Amount paste : 1.0 – 3.0 g (0.04 – 0.10 oz)



15. Insert drive shaft to wheel hub assembly, install the washer and then temporarily tighten wheel hub lock nut.

CAUTION:

- Be sure to use torque wrench to tighten the wheel hub lock nut. Do not use a power tool.
- Do not reuse wheel hub lock nut and washer.

16. Install transverse link to steering knuckle. Refer to [FAX-9, "Exploded View"](#).

17. Install steering outer socket to steering knuckle. Refer to [ST-41, "Removal and Installation"](#).

18. Use the following torque for tightening the wheel hub lock nut. Refer to [FAX-17, "Exploded View"](#).

CAUTION:

- Since the drive shaft is assembled by press-fitting, use the tightening torque for the wheel hub lock nut.
- Be sure to use torque wrench to tighten the wheel hub lock nut. Do not use a power tool.

NOTE:

Wheel hub lock nut tightening torque does not over torque for avoiding axle noise, and does not less than torque for avoiding looseness.

A
B
C
FAX
E
F
G
H
I
J
K
L
M
N
O
P

FRONT DRIVE SHAFT BOOT

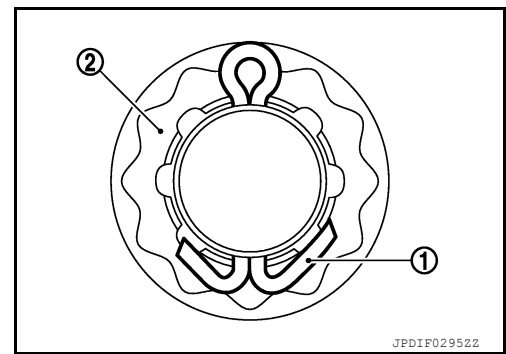
< REMOVAL AND INSTALLATION >

19. When installing a cotter pin (1) and nut retainer (2), securely bend the basal portion to prevent rattles.

CAUTION:

Do not reuse cotter pin.

20. Install wheel and tire. Refer to [WT-45, "Exploded View"](#).
21. Perform inspection after installation. Refer to [FAX-16, "Inspection"](#).



REDUCTION GEAR SIDE

REDUCTION GEAR SIDE : Removal and Installation

INFOID:000000010121664

Remove boot after drive shaft is removed from the vehicle.

- For drive shaft removal and installation, follow the instructions bellow.
- Left side: Refer to [FAX-18, "LEFT SIDE : Removal and Installation"](#).
- Right side: Refer to [FAX-19, "RIGHT SIDE : Removal and Installation"](#).
- For drive shaft disassembly and assembly, refer to [FAX-25, "REDUCTION GEAR SIDE : Disassembly and Assembly"](#).

Inspection

INFOID:000000010121665

INSPECTION AFTER INSTALLATION

1. Check wheel sensor harness for proper connection. Refer to [BRC-158, "FRONT WHEEL SENSOR : Exploded View"](#).
2. Check the wheel alignment. Refer to [FSU-11, "Inspection"](#).
3. Adjust neutral position of steering angle sensor. Refer to [BRC-70, "Work Procedure"](#).

FRONT DRIVE SHAFT

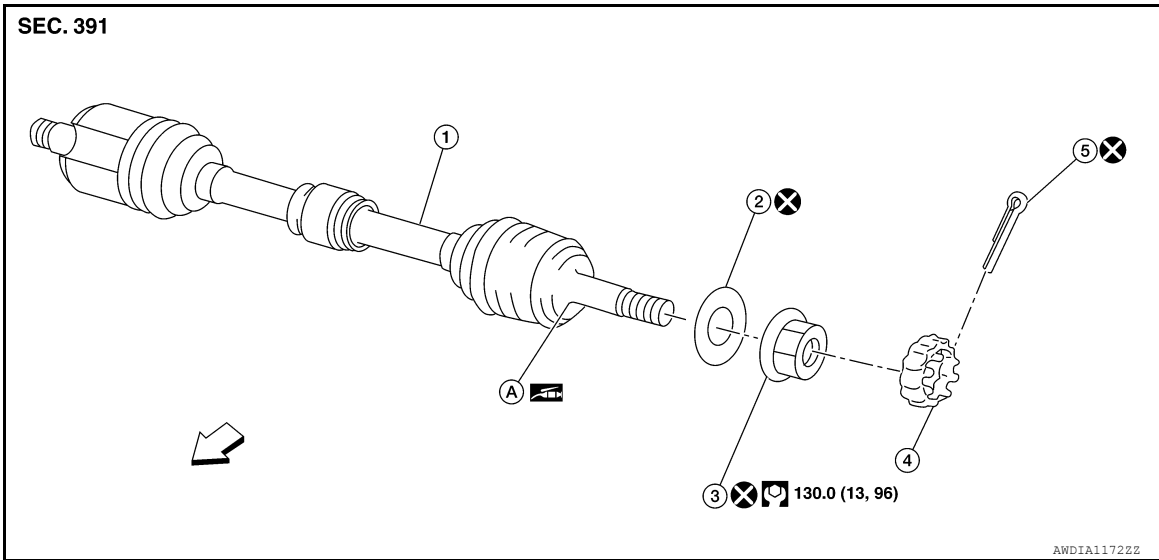
< REMOVAL AND INSTALLATION >

FRONT DRIVE SHAFT

Exploded View

INFOID:000000010121666

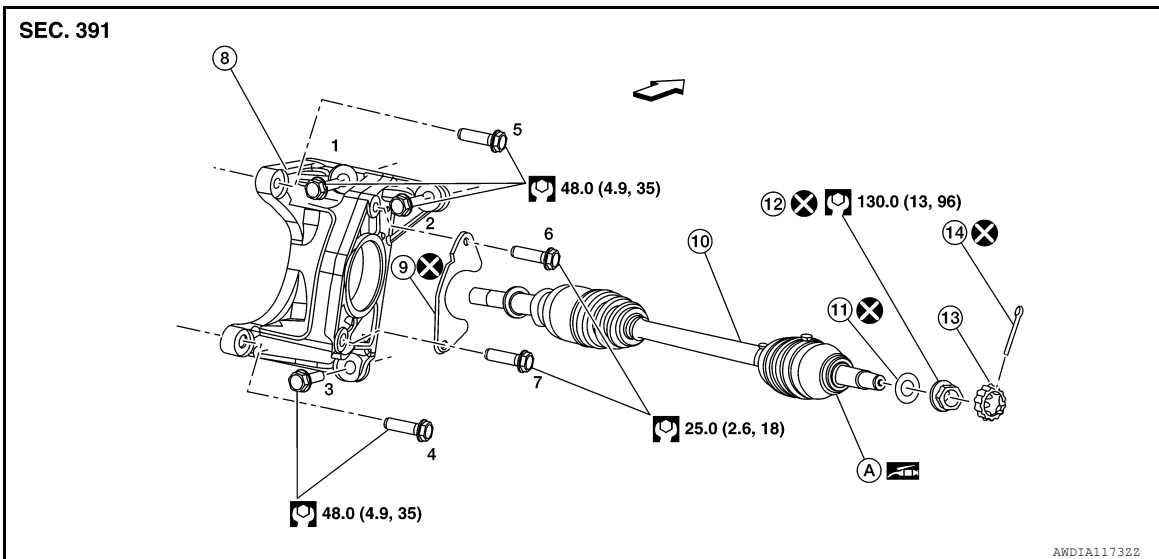
LEFT SIDE



- | | | |
|----------------------|---------------|-----------------------|
| 1. Front drive shaft | 2. Washer | 3. Wheel hub lock nut |
| 4. Nut retainer | 5. Cotter pin | A. Paste 440037S000 |

← Front

RIGHT SIDE



- | | | |
|-----------------------|----------------------------|------------------------|
| 1-7. Tightening order | 8. Support bearing bracket | 9. Retainer |
| 10. Front drive shaft | 11. Washer | 12. Wheel hub lock nut |
| 13. Nut retainer | 14. Cotter pin | A. Paste 440037S000 |

← Front

LEFT SIDE

FRONT DRIVE SHAFT

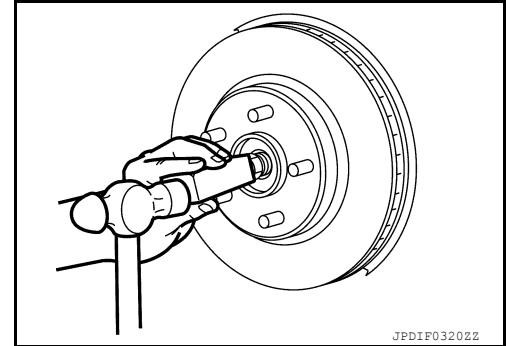
< REMOVAL AND INSTALLATION >

LEFT SIDE : Removal and Installation

INFOID:000000010121667

REMOVAL

1. Remove wheel and tire using power tool. Refer to [WT-45. "Exploded View"](#).
2. Remove cotter pin and nut retainer, and then loosen wheel hub lock nut. Refer to [FAX-9. "Removal and Installation"](#).
3. Patch wheel hub lock nut with a piece of wood. Hammer the wood to disengage wheel hub assembly from drive shaft.
NOTE:
Use suitable puller, if wheel hub assembly and drive shaft cannot be separated even after performing the above procedure.
4. Remove wheel hub lock nut and washer. Refer to [FAX-9. "Removal and Installation"](#).
5. Remove steering outer socket from steering knuckle. Refer to [ST-41. "Removal and Installation"](#).
6. Remove transverse link from steering knuckle using power tool. Refer to [FAX-9. "Exploded View"](#).
7. Remove shaft assembly from wheel hub assembly.



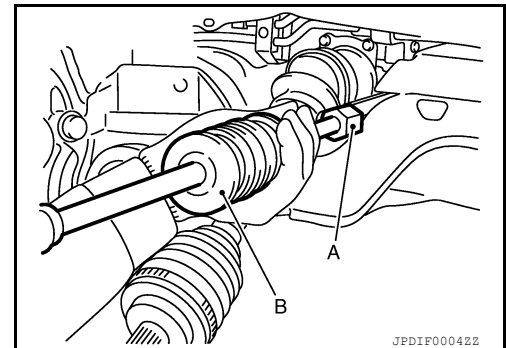
CAUTION:

- Do not place drive shaft joint at an extreme angle. Also be careful not to overextend slide joint.
- Do not allow drive shaft to hang down without support for joint sub-assembly, shaft and the other parts.

8. Use the Tool (A) and suitable tool (B) while inserting tip of the drive shaft attachment between shaft and reduction gear assembly, and then remove drive shaft from reduction gear assembly.

CAUTION:

- Do not place drive shaft joint at an extreme angle when removing drive shaft. Also be careful not to overextend slide joint.
- Confirm that the circular clip is attached to the drive shaft.



Tool number (A) : KV40107500 (—)

9. Perform inspection after removal. Refer to [FAX-31. "Inspection"](#).

INSTALLATION

Note the following, and install in the reverse order of removal.

Reduction Gear Side

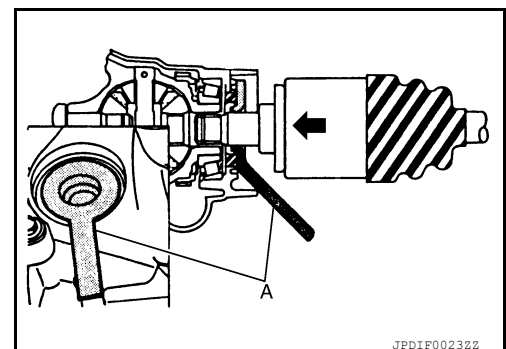
- Place the Tool (A) onto reduction gear assembly to prevent damage to the oil seal while inserting drive shaft. Slide drive shaft sliding joint and tap with a hammer to install securely.

CAUTION:

Check that circular clip is completely engaged.

Tool number (A) : KV38107900 (—)

- Perform inspection after installation. Refer to [FAX-31. "Inspection"](#).



Wheel Hub Side

- Clean the matching surface of wheel hub lock nut and wheel hub assembly.

CAUTION:

Do not apply lubricating oil to these matching surface.

FRONT DRIVE SHAFT

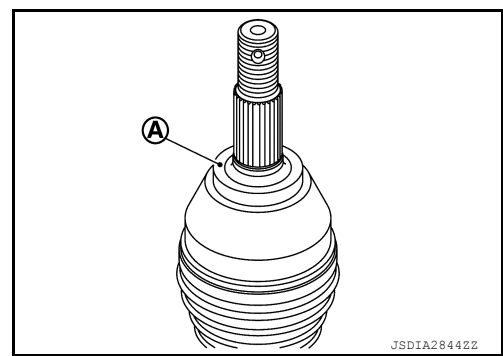
< REMOVAL AND INSTALLATION >

- Clean the matching surface of drive shaft and wheel hub assembly. And then apply paste [service parts (440037S000)] to surface (A) of joint sub-assembly of drive shaft.

CAUTION:

Apply paste to cover entire flat surface of joint sub-assembly of drive shaft.

Amount paste : 1.0 – 3.0 g (0.04 – 0.10 oz)



- Use the following torque for tightening the wheel hub lock nut. Refer to [FAX-17. "Exploded View"](#).

CAUTION:

- Since the drive shaft is assembled by press-fitting, use the tightening torque for the wheel hub lock nut.
- Be sure to use torque wrench to tighten the wheel hub lock nut. Do not use a power tool.
- Do not reuse wheel hub lock nut and washer.

NOTE:

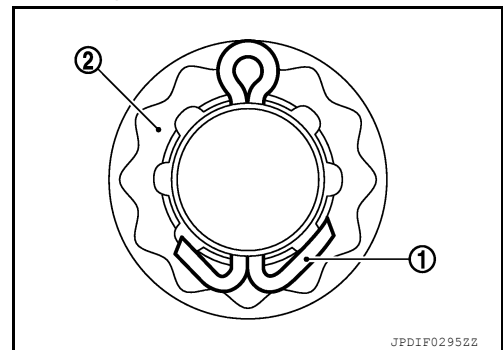
Wheel hub lock nut tightening torque does not over torque for avoiding axle noise, and does not less than torque for avoiding looseness.

- Align the matching marks that have been made during removal when reusing the disc rotor.
- When installing a cotter pin (1) and nut retainer (2), securely bend the basal portion to prevent rattles.

CAUTION:

Do not reuse cotter pin.

- Perform the final tightening of each of parts under unladen conditions, which were removed when removing wheel hub assembly and steering knuckle.
- Perform inspection after installation. Refer to [FAX-31. "Inspection"](#).



RIGHT SIDE

RIGHT SIDE : Removal and Installation

INFOID:000000010121668

REMOVAL

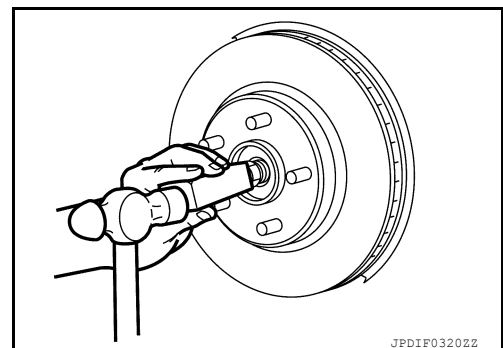
1. Remove wheel and tire using power tool. Refer to [WT-45. "Exploded View"](#).
2. Remove cotter pin and nut retainer, and then loosen wheel hub lock nut. Refer to [FAX-9. "Removal and Installation"](#).

3. Patch wheel hub lock nut with a piece of wood. Hammer the wood to disengage wheel hub assembly from drive shaft.

NOTE:

Use suitable puller, if wheel hub assembly and drive shaft cannot be separated even after performing the above procedure.

4. Remove wheel hub lock nut and washer. Refer to [FAX-9. "Removal and Installation"](#).
5. Remove steering outer socket from steering knuckle. Refer to [ST-41. "Removal and Installation"](#).
6. Remove transverse link from steering knuckle using power tool. Refer to [FAX-9. "Exploded View"](#).



7. Remove drive shaft from wheel hub assembly.

CAUTION:

- Do not place drive shaft joint at an extreme angle. Also be careful not to overextend slide joint.
- Do not allow drive shaft to hang down without support for joint sub-assembly, shaft and the other parts.

8. Remove retainer.

FRONT DRIVE SHAFT

< REMOVAL AND INSTALLATION >

9. Remove drive shaft assembly from reduction gear assembly.

CAUTION:

Do not place drive shaft joint at an extreme angle when removing drive shaft. Also be careful not to overextend slide joint.

10. Remove support bearing bracket.
11. Perform inspection after removal. Refer to [FAX-31, "Inspection"](#).

INSTALLATION

Note the following, and install in the reverse order of removal.

Reduction Gear Side

- Install support bearing bracket.
- Temporarily tighten support bearing bracket bolts, then tighten them to specified torque. Refer to [FAX-17, "Exploded View"](#).
- Set retainer so that notch is on upper side. Temporarily tighten bolts, then tighten them to specified torque. Refer to [FAX-17, "Exploded View"](#).

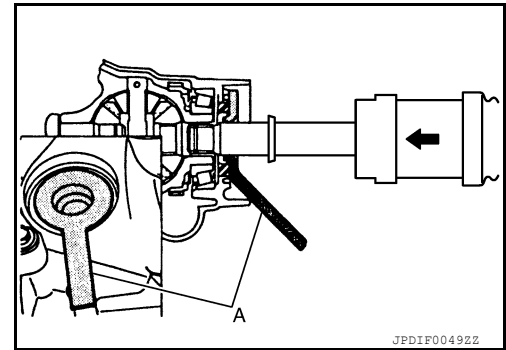
CAUTION:

Do not reuse retainer.

- Place the Tool (A) onto reduction gear assembly to prevent damage to the oil seal while inserting drive shaft. Slide drive shaft sliding joint and tap with a hammer to install securely.

Tool number (A) : KV38107900 (—)

- Perform inspection after installation. Refer to [FAX-31, "Inspection"](#).



Wheel Hub Side

- Clean the matching surface of wheel hub lock nut and wheel hub assembly.

CAUTION:

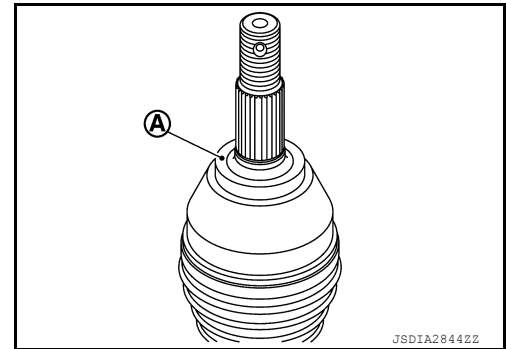
Do not apply lubricating oil to these matching surface.

- Clean the matching surface of drive shaft and wheel hub assembly. And then apply paste [service parts (440037S000)] to surface (A) of joint sub-assembly of drive shaft.

CAUTION:

Apply paste to cover entire flat surface of joint sub-assembly of drive shaft.

Amount paste : 1.0 – 3.0 g (0.04 – 0.10 oz)



- Use the following torque for tightening the wheel hub lock nut. Refer to [FAX-17, "Exploded View"](#).

CAUTION:

- **Since the drive shaft is assembled by press-fitting, use the tightening torque for the wheel hub lock nut.**
- **Be sure to use torque wrench to tighten the wheel hub lock nut. Do not use a power tool.**
- **Do not reuse wheel hub lock nut and washer.**

NOTE:

Wheel hub lock nut tightening torque does not over torque for avoiding axle noise, and does not less than torque for avoiding looseness.

- Align the matching marks that have been made during removal when reusing the disc rotor.

FRONT DRIVE SHAFT

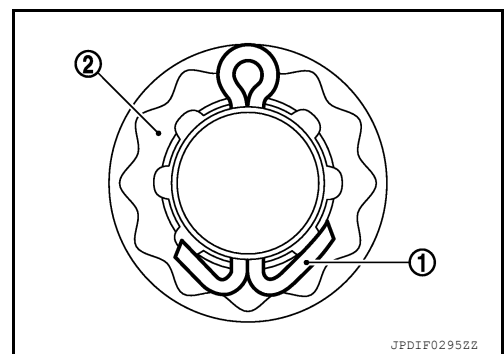
< REMOVAL AND INSTALLATION >

- When installing a cotter pin (1) and nut retainer (2), securely bend the basal portion to prevent rattles.

CAUTION:

Do not reuse cotter pin.

- Perform the final tightening of each of parts under unladen conditions, which were removed when removing wheel hub assembly and steering knuckle.
- Perform inspection after installation. Refer to [FAX-31, "Inspection"](#).



A

B

C

FAX

E

F

G

H

I

J

K

L

M

N

O

P

FRONT DRIVE SHAFT

< UNIT DISASSEMBLY AND ASSEMBLY >

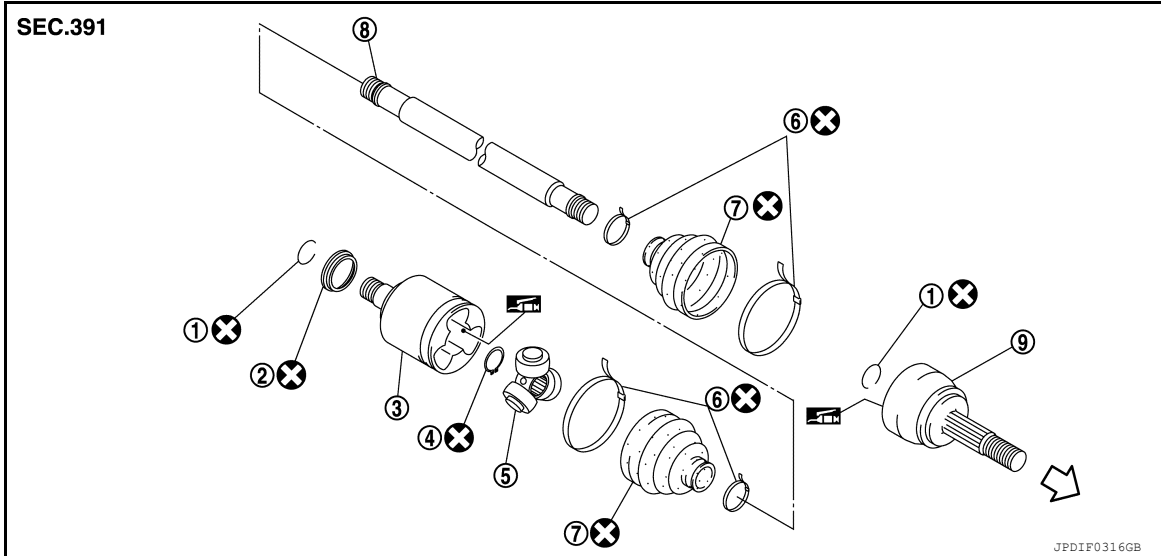
UNIT DISASSEMBLY AND ASSEMBLY

FRONT DRIVE SHAFT

Exploded View

INFOID:000000010121669

LEFT SIDE



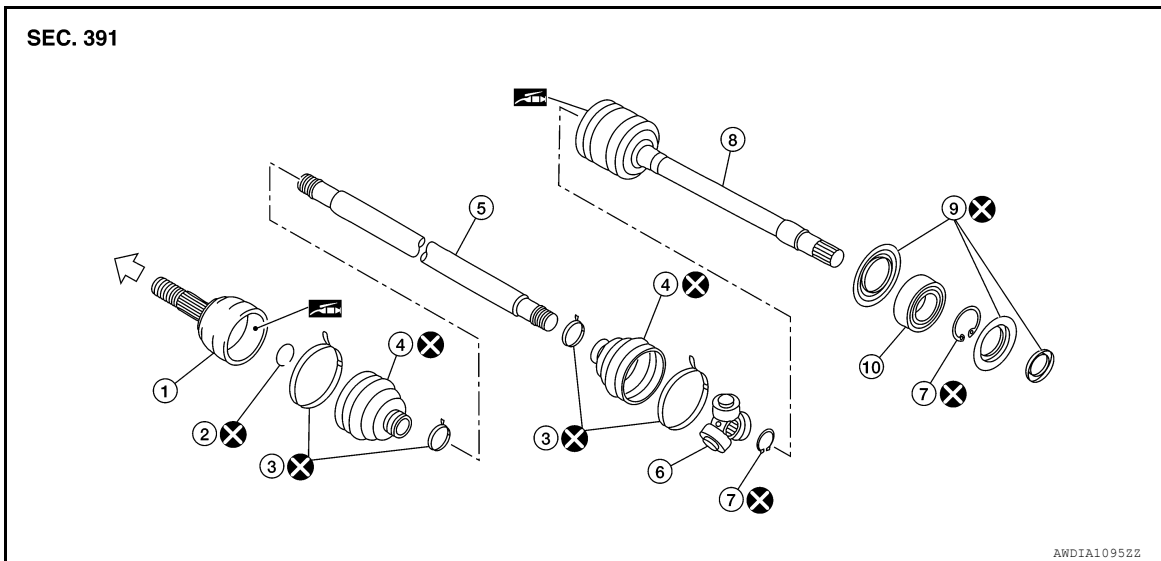
- | | | |
|------------------|--------------------|-----------------------|
| 1. Circular clip | 2. Dust shield | 3. Housing |
| 4. Snap ring | 5. Spider assembly | 6. Boot band |
| 7. Boot | 8. Shaft | 9. Joint sub-assembly |

← : Wheel side

⊗: Always replace after every disassembly.

🔧: Fill NISSAN Genuine grease or equivalent.

RIGHT SIDE



- | | | |
|-----------------------|------------------|--------------------|
| 1. Joint sub-assembly | 2. Circular clip | 3. Boot band |
| 4. Boot | 5. Shaft | 6. Spider assembly |

FRONT DRIVE SHAFT

< UNIT DISASSEMBLY AND ASSEMBLY >

- 7. Snap ring
- 10. Support bearing

- 8. Housing
- ↶ Wheel side

- 9. Dust shield

WHEEL SIDE

WHEEL SIDE : Disassembly and Assembly

INFOID:000000010121670

DISASSEMBLY

1. Fix shaft with a vise.

CAUTION:

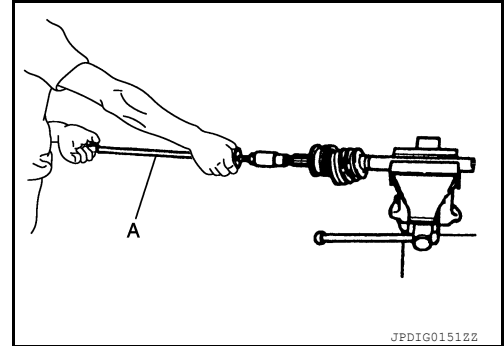
Protect shaft when fixing with a vise using aluminum or copper plates.

2. Remove boot bands, and then remove boot from joint sub-assembly.
3. Screw drive shaft puller (A) (commercial service tool) into joint sub-assembly screw part to a length of 30 mm (1.18 in) or more. Support drive shaft with one hand and pull out joint sub-assembly from shaft.

CAUTION:

- Align drive shaft puller and drive shaft and remove them by pulling firmly and uniformly.
- If joint sub-assembly cannot be removed after five or more unsuccessful attempts, replace shaft and joint sub-assembly as a set.

4. Remove circular clip from shaft.
5. Remove boot from shaft.
6. Perform inspection after disassembly. Refer to [FAX-31, "Inspection"](#).

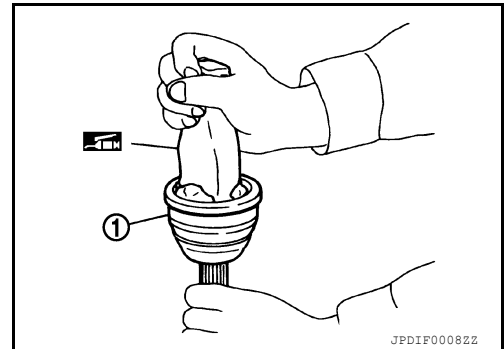


ASSEMBLY

1. Clean the old grease on joint sub-assembly with paper waste.
2. Fill serration slot joint sub-assembly (1) with NISSAN genuine grease or equivalent until the serration slot and ball groove become full to the brim.

CAUTION:

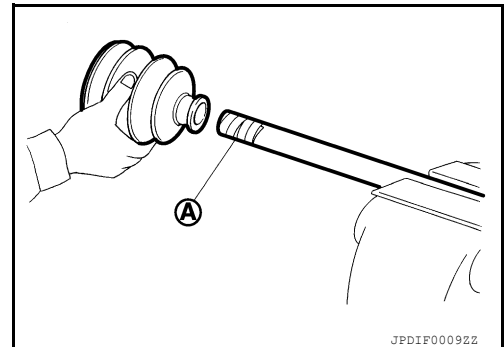
After applying grease, use a paper waste to wipe off old grease that has oozed out.



3. Install boot and boot bands to shaft.

CAUTION:

 - Wrap serration on shaft with tape (A) to protect the boot from damage.
 - Never reuse boot and boot band.
4. Remove the tape wrapped around the serration on shaft.



A
B
C
FAX
E
F
G
H
I
J
K
L
M
N
O
P

FRONT DRIVE SHAFT

< UNIT DISASSEMBLY AND ASSEMBLY >

5. Position the circular clip (1) on groove at the shaft edge.

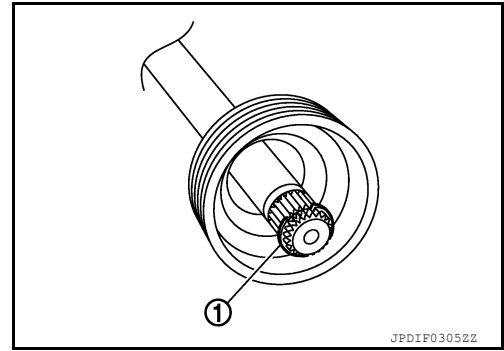
CAUTION:

Never reuse circular clip.

NOTE:

Drive joint inserter is recommended when installing circular clip.

6. Align both center axes of the shaft edge and joint sub-assembly. Then assemble shaft with joint sub-assembly holding circular clip.



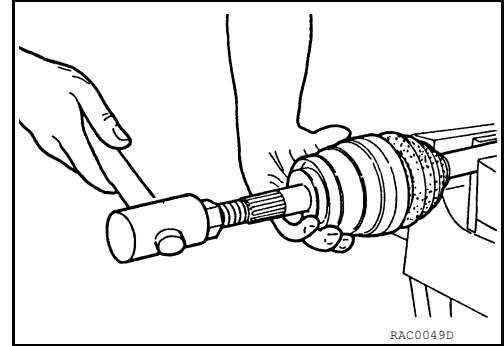
7. Install joint sub-assembly to shaft using plastic hammer.

CAUTION:

- Check circular clip is properly positioned on groove of the joint sub-assembly.
- Confirm that joint sub-assembly is correctly engaged while rotating drive shaft.

8. Apply the specified amount of grease into the boot inside from large diameter side of boot.

Grease amount : Refer to [FAX-32, "Drive Shaft"](#).



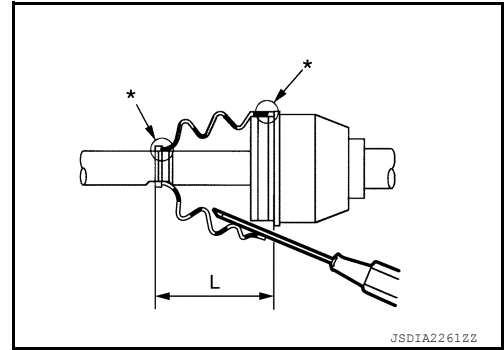
9. Install the boot securely into grooves (indicated by "*" marks) shown in the figure.

L : Boot installation length

CAUTION:

If grease adheres to the boot mounting surface (indicated by "*" marks) on the shaft or joint sub-assembly, boot may be removed. Remove all grease from the boot mounting surface.

10. To prevent the deformation of the boot, adjust the boot installation length to the specified value by inserting the suitable tool into inside of the boot from the large diameter side of the boot and discharging the inside air.



Boot installation length : Refer to [FAX-32, "Drive Shaft"](#).

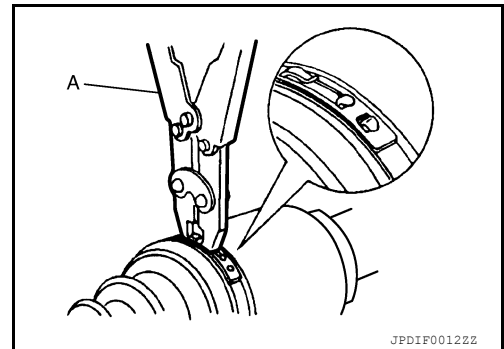
CAUTION:

- If the boot installation length exceeds the standard, it may cause breakage of the boot.
- Be careful not to touch the inside of the boot with a tip of tool.

11. Secure the large and small ends of the boot with boot bands using the boot band crimping tool (A) [SST: KV40107300 (—)].

CAUTION:

- Never reuse boot band.



FRONT DRIVE SHAFT

< UNIT DISASSEMBLY AND ASSEMBLY >

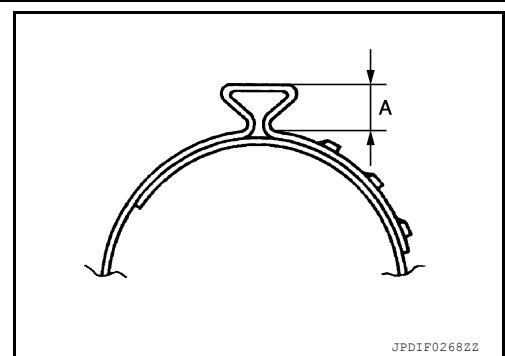
- Secure boot band so that dimension (A) meets the specification as shown in the figure.

A : 7.0 mm (0.276 in) or less.

12. Check that displacement does not occur when boot is rotated with the joint sub-assembly and shaft fixed.

CAUTION:

- Reinstall them using boot bands when boot installation positions become incorrect.
- Never reuse boot band.



REDUCTION GEAR SIDE

REDUCTION GEAR SIDE : Disassembly and Assembly

INFOID:000000010121671

DISASSEMBLY

Left Side

1. Fix shaft with a vise.

CAUTION:

Protect shaft using aluminum or copper plates when fixing with a vise.

2. Remove boot bands, and then remove boot from housing.
3. Put matching marks on housing and shaft, and then pull out housing from shaft.

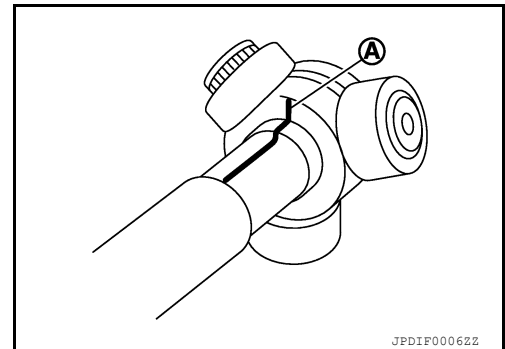
CAUTION:

Use paint or an equivalent for matching marks. Never scratch the surfaces.

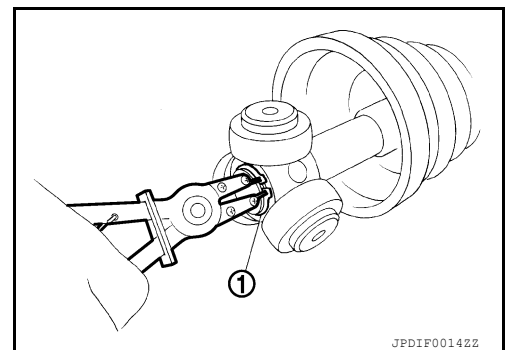
4. Put matching marks (A) on the spider assembly and shaft.

CAUTION:

Use paint or an equivalent for matching marks. Never scratch the surfaces.



5. Remove snap ring (1), and then remove spider assembly from shaft.
6. Remove boot from shaft.
7. Remove dust shield from housing.
8. Remove circular clip from housing.
9. Perform inspection after disassembly. Refer to [FAX-31. "Inspection"](#).



Right Side

1. Fix shaft with a vise.

CAUTION:

Protect shaft using aluminum or copper plates when fixing with a vise.

2. Remove boot bands, and then remove boot from housing.
3. Put matching marks on housing and shaft, and then pull out housing from shaft.

CAUTION:

Use paint or an equivalent for matching marks. Never scratch the surfaces.

A
B
C
FAX
E
F
G
H
I
J
K
L
M
N
O
P

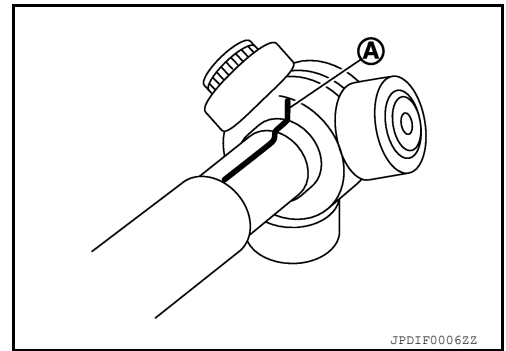
FRONT DRIVE SHAFT

< UNIT DISASSEMBLY AND ASSEMBLY >

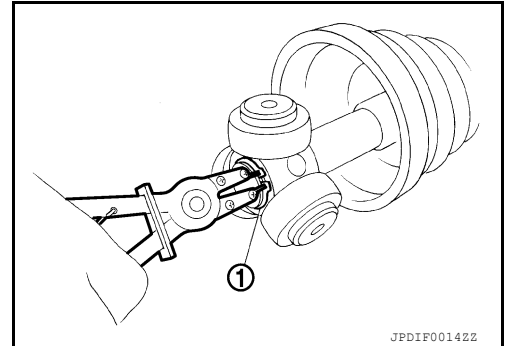
4. Put matching marks (A) on the spider assembly and shaft.

CAUTION:

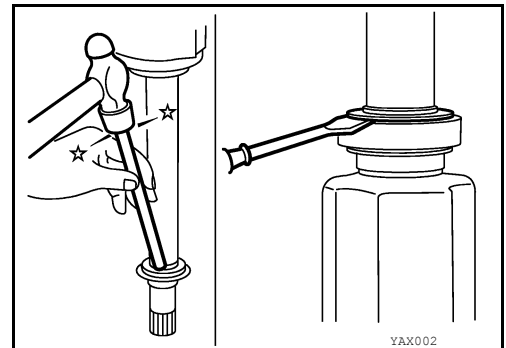
Use paint or an equivalent for matching marks. Never scratch the surfaces.



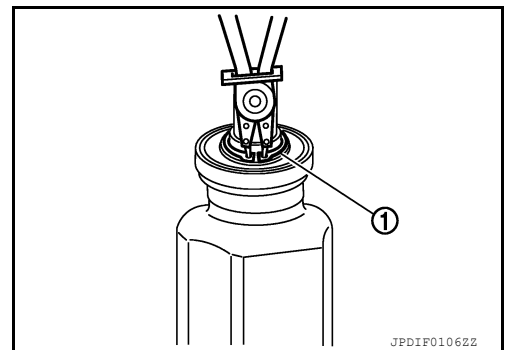
5. Remove snap ring (1), and then remove spider assembly from shaft.
6. Remove boot from shaft.



7. Remove support bearing, follow the procedure described below.
a. Remove dust shield from housing.



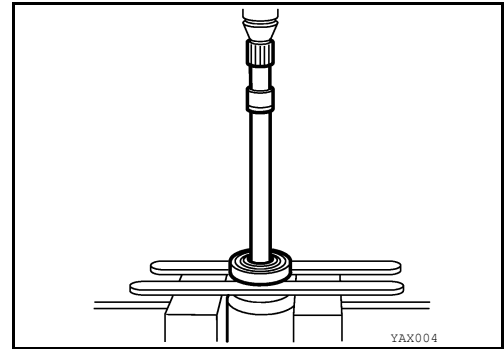
- b. Remove snap ring (1).



FRONT DRIVE SHAFT

< UNIT DISASSEMBLY AND ASSEMBLY >

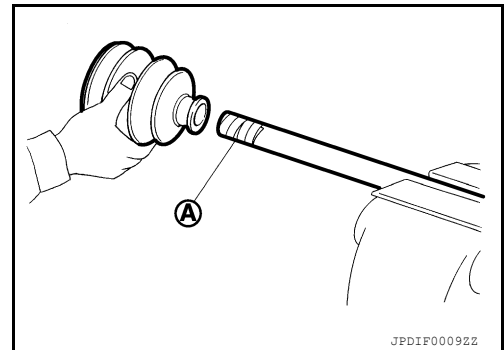
- c. Press out support bearing from housing.
- d. Remove dust shield from housing.
8. Perform inspection after disassembly. Refer to [FAX-31, "Inspection"](#).



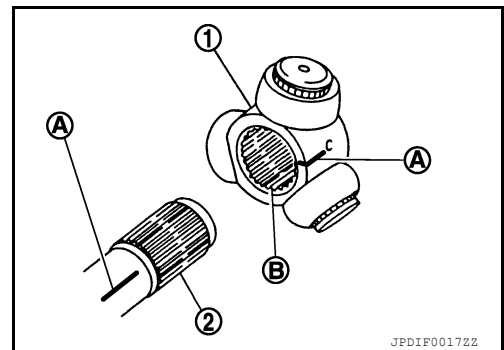
ASSEMBLY

Left Side

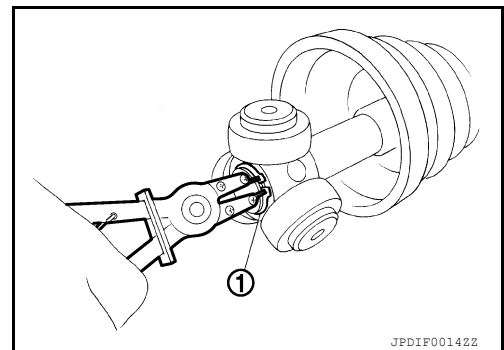
1. Clean the old grease on housing assembly with paper waste.
2. Install dust shield to housing.
CAUTION:
Never reuse dust shield.
3. Install circular clip to housing.
CAUTION:
Never reuse circular clip.
4. Install new boot and boot bands to shaft.
CAUTION:
 - Wrap serration on shaft with tape (A) to protect boot from damage.
 - Never reuse boot and boot bands.
5. Remove the tape wrapped around the serration on shaft.



6. To install the spider assembly (1), align it with the matching marks (A) on the shaft (2) during the removal, and direct the serration mounting surface (B) to the shaft.



7. Secure spider assembly onto shaft with snap ring (1).
CAUTION:
Never reuse snap ring.
8. Apply the appropriate amount of grease to spider assembly and sliding surface.
9. Assemble the housing onto spider assembly, and apply the balance of the specified amount grease.



Grease amount : Refer to [FAX-32, "Drive Shaft"](#).

10. Align matching marks put during the removal of housing.

FRONT DRIVE SHAFT

< UNIT DISASSEMBLY AND ASSEMBLY >

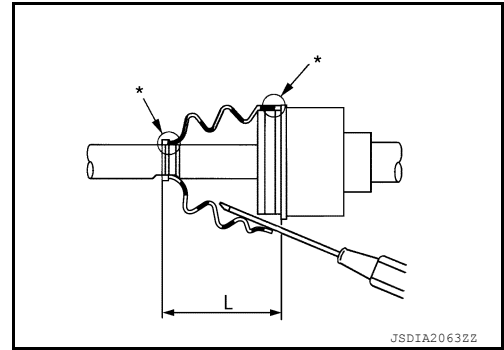
11. Install boot securely into grooves (indicated by "*" marks) shown in the figure.

L : Boot installation length

CAUTION:

If grease adheres to the boot mounting surface (with "*" marks) on shaft or housing, boot may be removed. Remove all grease from the surface.

12. To prevent the deformation of the boot, adjust the boot installation length to the value by inserting the suitable tool into the inside of boot from the large diameter side of boot and discharging inside air.



Boot installation length : Refer to [FAX-32, "Drive Shaft"](#).

CAUTION:

- If the boot installation length exceeds the standard, it may cause breakage of the boot.
- Be careful not to touch the inside of the boot with the tip of tool.

13. Install boot bands securely.

CAUTION:

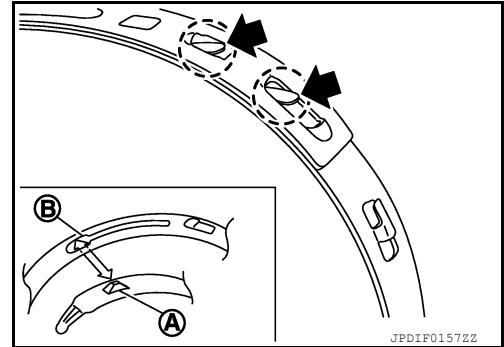
Never reuse boot bands.

- a. Put boot band in the groove on drive shaft boot. Then fit pawls into holes to temporary installation.

NOTE:

For the large diameter side, fit projection (A) and guide slit (B) at first.

- b. Pinch projection on the band with suitable pliers to tighten band.

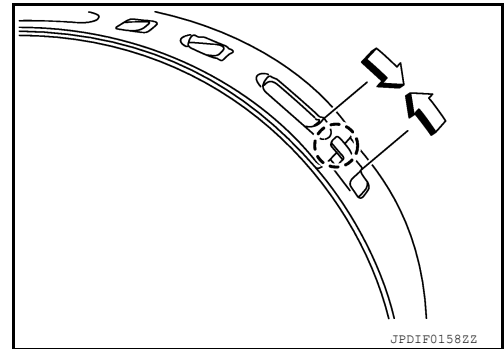


- c. Insert the tip of band into the lower part of pawl (marked with dotted circle) as shown in the figure.

14. Check that displacement does not occur when boot is rotated with the housing assembly fixed.

CAUTION:

- If displacement occurs, reinstall band.
- Never reuse boot band.



Right Side

1. Install support bearing, follow the procedure described below.

- a. Install dust shield to housing.

CAUTION:

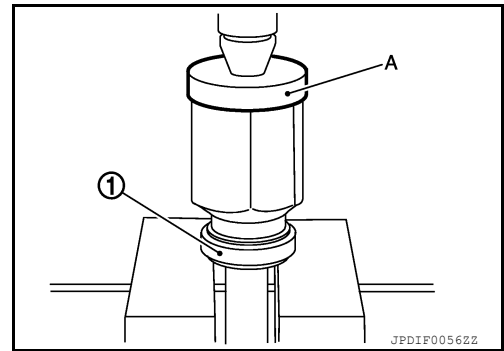
Never reuse dust shield.

FRONT DRIVE SHAFT

< UNIT DISASSEMBLY AND ASSEMBLY >

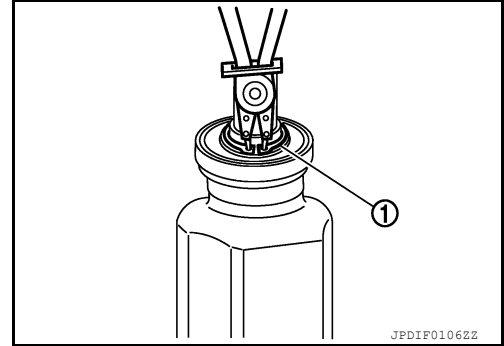
- b. Press support bearing (1) onto housing to using the suitable tool (A).

CAUTION:
Never reuse support bearing.



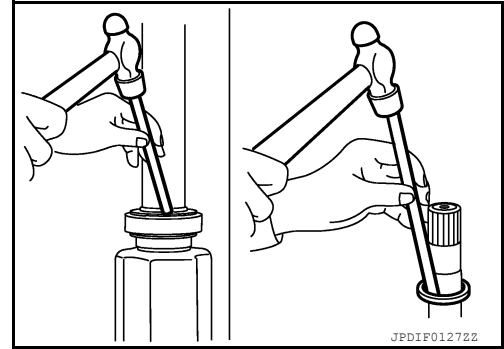
- c. Install snap ring (1).

CAUTION:
Never reuse snap ring.



- d. Install dust shields.

CAUTION:
Never reuse dust shields.



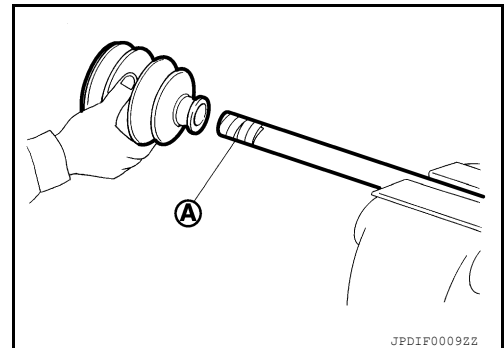
2. Clean the old grease on housing assembly with paper waste.

3. Install new boot and boot bands to shaft.

CAUTION:

- Wrap serration on shaft with tape (A) to protect boot from damage.
- Never reuse boot and boot bands.

4. Remove the tape wrapped around the serration on shaft.

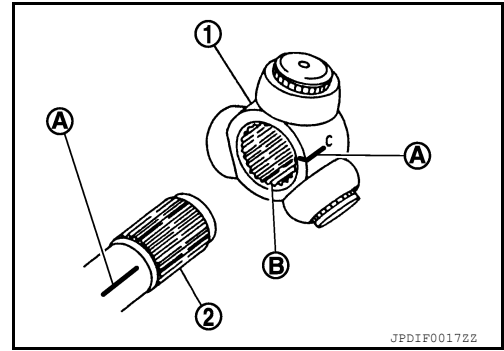


A
B
C
FAX
E
F
G
H
I
J
K
L
M
N
O
P

FRONT DRIVE SHAFT

< UNIT DISASSEMBLY AND ASSEMBLY >

5. To install the spider assembly (1), align it with the matching marks (A) on the shaft (2) during the removal, and direct the serration mounting surface (B) to the shaft.

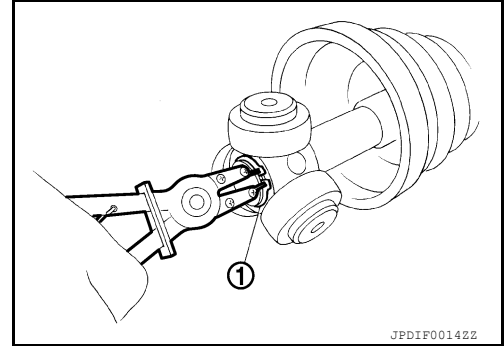


6. Secure spider assembly onto shaft with snap ring (1).

CAUTION:

Never reuse snap ring.

7. Apply the appropriate amount of grease to spider assembly and sliding surface.
 8. Assemble the housing onto spider assembly, and apply the balance of the specified amount grease.



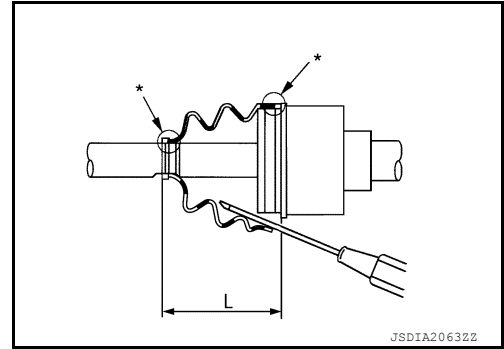
Grease amount : Refer to [FAX-32, "Drive Shaft"](#).

9. Align matching marks put during the removal of housing.
 10. Install boot securely into grooves (indicated by "*" marks) shown in the figure.

L : Boot installation length

CAUTION:

If grease adheres to the boot mounting surface (with "*" marks) on shaft or housing, boot may be removed. Remove all grease from the surface.



11. To prevent the deformation of the boot, adjust the boot installation length to the value by inserting the suitable tool into the inside of boot from the large diameter side of boot and discharging inside air.

Boot installation length : Refer to [FAX-32, "Drive Shaft"](#).

CAUTION:

- If the boot installation length exceeds the standard, it may cause breakage of the boot.
- Be careful not to touch the inside of the boot with the tip of tool.

12. Install boot bands securely.

CAUTION:

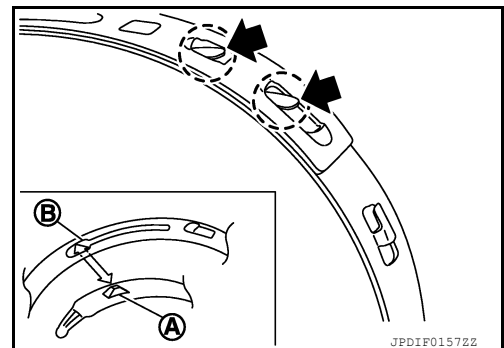
Never reuse boot bands.

- a. Put boot band in the groove on drive shaft boot. Then fit pawls into holes to temporary installation.

NOTE:

For the large diameter side, fit projection (A) and guide slit (B) at first.

- b. Pinch projection on the band with suitable pliers to tighten band.



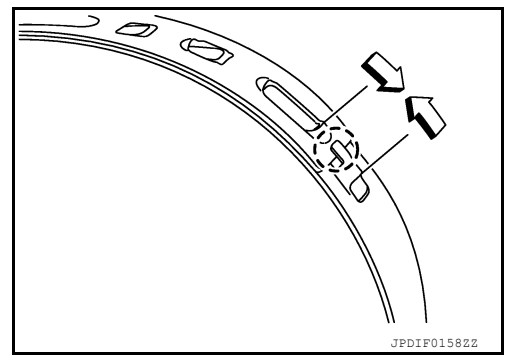
FRONT DRIVE SHAFT

< UNIT DISASSEMBLY AND ASSEMBLY >

- c. Insert the tip of band into the lower part of pawl (marked with dotted circle) as shown in the figure.
13. Check that displacement does not occur when boot is rotated with the housing assembly fixed.

CAUTION:

- If displacement occurs, reinstall band.
- Never reuse boot band.



INFOID:000000010121672

A
B
C

FAX

Inspection

INSPECTION AFTER REMOVAL

Check the following items, and replace the part if necessary.

- Move joint up/down, left/right, and in the axial directions. Check for motion that is not smooth and for significant looseness.
- Check boot for cracks, damage, and leakage of grease.
- Check the support bearing bracket for cracks, deformation and other damage.

INSPECTION AFTER DISASSEMBLY

Check the following items, and replace the part if necessary.

Shaft

Check shaft for runout, cracks, or other damage.

Joint Sub-Assembly

Check the following:

- Joint sub-assembly for rough rotation and excessive axial looseness.
 - The inside of the joint sub-assembly for entry of foreign material.
 - Joint sub-assembly for compression scars, cracks, and fractures inside of joint sub-assembly.
- Replace joint sub-assembly if there are any non-standard conditions of components.

Housing and spider assembly

Replace housing and spider assembly if there is scratching or wear of housing roller contact surface or spider roller contact surface.

NOTE:

Housing and spider assembly are used in a set.

Support Bearing (Right Side)

Check bearing rolls freely and is free from noise, cracks, pitting or wear. Replace support bearing if there are any non-standard conditions.

Support Bearing Bracket (Right Side)

Check for support bearing bracket, cracks, or damage. Replace support bearing bracket if there are any non-standard conditions.

INSPECTION AFTER INSTALLATION

1. Check the wheel alignment. Refer to [FSU-11, "Inspection"](#).
2. Adjust neutral position of steering angle sensor. Refer to [BRC-70, "Work Procedure"](#).

E
F
G
H
I
J
K
L
M
N
O
P

SERVICE DATA AND SPECIFICATIONS (SDS)

< SERVICE DATA AND SPECIFICATIONS (SDS)

SERVICE DATA AND SPECIFICATIONS (SDS)

SERVICE DATA AND SPECIFICATIONS (SDS)

Wheel Bearing

INFOID:0000000010121673

Item	Standard
Axial end play	0.05 mm (0.002 in) or less

Drive Shaft

INFOID:0000000010121674

Item	Standard	
	Wheel side	Reduction gear side
Grease quantity	88 – 108 g (3.11 – 3.80 oz)	153 – 166 g (5.40 – 5.85 oz)
Boots installed length*	95.4 mm (3.756 in)	94 mm (3.70 in)

*: For measuring position, refer to [FAX-23, "WHEEL SIDE : Disassembly and Assembly"](#) (Wheel side), [FAX-25, "REDUCTION GEAR SIDE : Disassembly and Assembly"](#) (Reduction gear side).