

SECTION **SB**
SEAT BELT

A
B
C
D
E
F
G
SB
I
J
K
L
M
N
O
P

CONTENTS

PRECAUTION	2	Seat belt warning chime	9
PRECAUTIONS	2	Seat belt pre-tensioner with Load limiter	9
Precaution for Supplemental Restraint System (SRS) "AIR BAG" and "SEAT BELT PRE-TENSIONER"	2	Double pre-tensioner seat belt	10
Precaution for Technicians Using Medical Electric.....	2	REMOVAL AND INSTALLATION	11
Point to Be Checked Before Starting Maintenance Work	3	FRONT SEAT BELT	11
Precautions for Removing Battery Terminal	3	Exploded View	11
Precaution for Seat Belt Service	4	SEAT BELT RETRACTOR	12
Precaution for Work	4	SEAT BELT RETRACTOR : Removal and Installation	12
PREPARATION	5	SEAT BELT BUCKLE	15
PREPARATION	5	SEAT BELT BUCKLE : Removal and Installation.....	15
Special Service Tool	5	REAR SEAT BELT	16
BASIC INSPECTION	6	Exploded View	16
COMPONENT INSPECTION	6	SEAT BELT RETRACTOR	17
Inspection	6	SEAT BELT RETRACTOR : Removal and Installation	17
SYSTEM DESCRIPTION	9	SEAT BELT BUCKLE	18
COMPONENT PARTS	9	SEAT BELT BUCKLE : Removal and Installation.....	18
Seat belt warning lamp	9	SEAT BELT HOOK	18
		SEAT BELT HOOK : Removal and Installation	18

PRECAUTIONS

< PRECAUTION >

PRECAUTION

PRECAUTIONS

Precaution for Supplemental Restraint System (SRS) "AIR BAG" and "SEAT BELT PRE-TENSIONER"

INFOID:000000010642416

The Supplemental Restraint System such as "AIR BAG" and "SEAT BELT PRE-TENSIONER", used along with a front seat belt, helps to reduce the risk or severity of injury to the driver and front passenger for certain types of collision. This system includes seat belt switch inputs and dual stage front air bag modules. The SRS system uses the seat belt switches to determine the front air bag deployment, and may only deploy one front air bag, depending on the severity of a collision and whether the front occupants are belted or unbelted. Information necessary to service the system safely is included in the SR and SB section of this Service Manual.

WARNING:

- To avoid rendering the SRS inoperative, which could increase the risk of personal injury or death in the event of a collision which would result in air bag inflation, all maintenance must be performed by an authorized NISSAN/INFINITI dealer.
- Improper maintenance, including incorrect removal and installation of the SRS, can lead to personal injury caused by unintentional activation of the system. For removal of Spiral Cable and Air Bag Module, see the SR section.
- Do not use electrical test equipment on any circuit related to the SRS unless instructed to in this Service Manual. SRS wiring harnesses can be identified by yellow and/or orange harnesses or harness connectors.

PRECAUTIONS WHEN USING POWER TOOLS (AIR OR ELECTRIC) AND HAMMERS

WARNING:

- When working near the Airbag Diagnosis Sensor Unit or other Airbag System sensors with the Ignition ON or engine running, DO NOT use air or electric power tools or strike near the sensor(s) with a hammer. Heavy vibration could activate the sensor(s) and deploy the air bag(s), possibly causing serious injury.
- When using air or electric power tools or hammers, always switch the Ignition OFF, disconnect the battery and wait at least three minutes before performing any service.

Precaution for Technicians Using Medical Electric

INFOID:000000010642413

OPERATION PROHIBITION

WARNING:

- Parts with strong magnet is used in this vehicle.
- Technicians using a medical electric device such as pacemaker must never perform operation on the vehicle, as magnetic field can affect the device function by approaching to such parts.

NORMAL CHARGE PRECAUTION

WARNING:

- If a technician uses a medical electric device such as an implantable cardiac pacemaker or an implantable cardioverter defibrillator, the possible effects on the devices must be checked with the device manufacturer before starting the charge operation.
- As radiated electromagnetic wave generated by PDM (Power Delivery Module) at normal charge operation may affect medical electric devices, a technician using a medical electric device such as implantable cardiac pacemaker or an implantable cardioverter defibrillator must not approach motor room [PDM (Power Delivery Module)] at the hood-opened condition during normal charge operation.

PRECAUTION AT TELEMATICS SYSTEM OPERATION

WARNING:

- If a technician uses implantable cardiac pacemaker or implantable cardioverter defibrillator (ICD), avoid the device implanted part from approaching within approximately 220 mm (8.66 in) from interior/exterior antenna.
- The electromagnetic wave of TCU might affect the function of the implantable cardiac pacemaker or the implantable cardioverter defibrillator (ICD), when using the service, etc.

PRECAUTIONS

< PRECAUTION >

- If a technician uses other medical electric devices than implantable cardiac pacemaker or implantable cardioverter defibrillator (ICD), the electromagnetic wave of TCU might affect the function of the device. The possible effects on the devices must be checked with the device manufacturer before TCU use.

PRECAUTION AT INTELLIGENT KEY SYSTEM OPERATION

WARNING:

- If a technician uses implantable cardiac pacemaker or implantable cardioverter defibrillator (ICD), avoid the device implanted part from approaching within approximately 220 mm (8.66 in) from interior/exterior antenna.
- The electromagnetic wave of Intelligent Key might affect the function of the implantable cardiac pacemaker or the implantable cardioverter defibrillator (ICD), at door operation, at each request switch operation, or at engine starting.
- If a technician uses other medical electric devices than implantable cardiac pacemaker or implantable cardioverter defibrillator (ICD), the electromagnetic wave of Intelligent Key might affect the function of the device. The possible effects on the devices must be checked with the device manufacturer before Intelligent Key use.

Point to Be Checked Before Starting Maintenance Work

INFOID:000000010642414

The high voltage system may start automatically. It is required to check that the timer air conditioner and timer charge (during EVSE connection) are not set before starting maintenance work.

NOTE:

If the timer air conditioner or timer charge (during EVSE connection) is set, the high voltage system starts automatically even when the power switch is in OFF state.

Precautions for Removing Battery Terminal

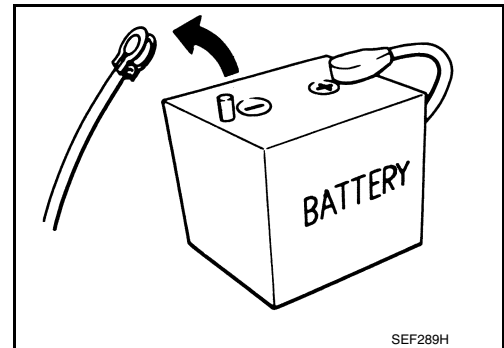
INFOID:000000011052680

- When removing the 12V battery terminal, turn OFF the power switch and wait at least 5 minutes.

NOTE:

ECU may be active for several minutes after the power switch is turned OFF. If the battery terminal is removed before ECU stops, then a DTC detection error or ECU data corruption may occur.

- Always disconnect the battery terminal within 60 minutes after turning OFF the power switch. Even when the power switch is OFF, the 12V battery automatic charge control may automatically start after a lapse of 60 minutes from power switch OFF.
- Disconnect 12V battery terminal according to the following steps.



WORK PROCEDURE

1. Check that EVSE is not connected.

NOTE:

If EVSE is connected, the air conditioning system may be automatically activated by the timer A/C function.

2. Turn the power switch OFF → ON → OFF. Get out of the vehicle. Close all doors (including back door).
3. Check that the charge status indicator lamp does not blink and wait for 5 minutes or more.

NOTE:

If the battery is removed within 5 minutes after the power switch is turned OFF, plural DTCs may be detected.

4. Remove 12V battery terminal within 60 minutes after turning the power switch OFF → ON → OFF.

CAUTION:

- After all doors (including back door) are closed, if a door (including back door) is opened before battery terminals are disconnected, start over from Step 1.
- After turning the power switch OFF, if "Remote A/C" is activated by user operation, stop the air conditioner and start over from Step 1.

NOTE:

Once the power switch is turned ON → OFF, the 12V battery automatic charge control does not start for approximately 1 hour.

- For vehicles with the 2-batteries, be sure to connect the main battery and the sub battery before turning ON the power switch.

PRECAUTIONS

< PRECAUTION >

NOTE:

If the power switch is turned ON with any one of the terminals of main battery and sub battery disconnected, then DTC may be detected.

- After installing the 12V battery, always check "Self Diagnosis Result" of all ECUs and erase DTC.

NOTE:

The removal of 12V battery may cause a DTC detection error.

Precaution for Seat Belt Service

INFOID:000000010994660

CAUTION:

- **Before removing the seat belt pre-tensioner assembly, turn the ignition switch OFF, disconnect both battery terminals and wait at least three minutes. For approximately three minutes after the battery terminals have been removed, it is still possible for the air bag and seat belt pre-tensioner to deploy. Therefore, do not attempt work on any SRS connectors or wires until at least three minutes have passed.**
- **After replacing or reinstalling seat belt pre-tensioner assembly or reconnecting seat belt pre-tensioner assembly connector, make sure entire SRS operates properly. Refer to [SRC-13, "CONSULT Function"](#).**
- **Do not disassemble buckle or seat belt assembly.**
- **Replace anchor bolts if they are deformed or worn out.**
- **Do not oil tongue or buckle.**
- **If any component of seat belt assembly is questionable, do not repair. Replace the whole seat belt assembly.**
- **If webbing is cut, frayed or damaged, replace seat belt assembly.**
- **When replacing seat belt assembly, use a genuine NISSAN seat belt assembly.**

Precaution for Work

INFOID:000000011052761

- When removing or disassembling each component, be careful not to damage or deform it. If a component may be subject to interference, be sure to protect it with a shop cloth.
- When removing (disengaging) components with a screwdriver or similar tool, be sure to wrap the component with a shop cloth or vinyl tape to protect it.
- Protect the removed parts with a shop cloth and prevent them from being dropped.
- Replace a deformed or damaged clip.
- If a part is specified as a non-reusable part, always replace it with a new one.
- Be sure to tighten bolts and nuts securely to the specified torque.
- After installation is complete, be sure to check that each part works properly.
- Follow the steps below to clean components:
 - Water soluble dirt:
 - Dip a soft cloth into lukewarm water, wring the water out of the cloth and wipe the dirty area.
 - Then rub with a soft, dry cloth.
 - Oily dirt:
 - Dip a soft cloth into lukewarm water with mild detergent (concentration: within 2 to 3%) and wipe the dirty area.
 - Then dip a cloth into fresh water, wring the water out of the cloth and wipe the detergent off.
 - Then rub with a soft, dry cloth.
 - Do not use organic solvent such as thinner, benzene, alcohol or gasoline.
 - For genuine leather seats, use a genuine leather seat cleaner.

PREPARATION

< PREPARATION >

PREPARATION

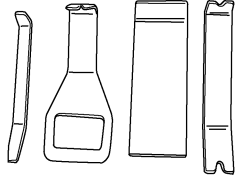
PREPARATION

Special Service Tool

INFOID:0000000011052760

The actual shape of the tools may differ from those illustrated here.

Tool number (TechMate No.) Tool name	Description
— (J-46534) Trim Tool Set	Removing trim components



AWJIA0483ZZ

A
B
C
D
E
F
G
SB
I
J
K
L
M
N
O
P

COMPONENT INSPECTION

< BASIC INSPECTION >

BASIC INSPECTION

COMPONENT INSPECTION

Inspection

INFOID:000000010642418

AFTER A COLLISION

WARNING:

Inspect all seat belt assemblies including retractors and attaching hardware after any collision. NISSAN/INFINITI recommends that all seat belt assemblies in use during a collision be replaced unless the collision was minor and the belts show no damage and continue to operate properly. Failure to do so could result in serious personal injury in an accident. Seat belt assemblies not in use during a collision should also be replaced if either damage or improper operation is noted. Seat belt pretensioners should be replaced even if the seat belts are not in use during a frontal collision in which the air bags are deployed.

Replace any seat belt assembly (including anchor bolts) if:

- The seat belt was in use at the time of a collision (except for minor collisions and the belts, retractors and buckles show no damage and continue to operate properly).
- The seat belt was damaged in an accident (i.e. torn webbing, bent retractor or guide, etc.).
- The seat belt attaching point is damaged in an accident. Inspect the seat belt attaching area for damage or distortion and repair if necessary before installing a new seat belt assembly.
- Anchor bolts are deformed or worn out.
- The seat belt pre-tensioner should be replaced even if the seat belts are not in use during the collision in which the air bags are deployed.

PRELIMINARY CHECKS

1. Check the seat belt warning lamp for proper operation per the following:
 - a. Turn ignition switch ON. The seat belt warning lamp should illuminate.
 - b. Fasten driver seat belt. The seat belt warning lamp should turn OFF.
 2. If the air bag warning lamp is blinking, perform self-diagnosis with CONSULT and air bag warning lamp. Refer to [SRC-11, "On Board Diagnosis Function"](#).
 3. Check that the seat belt retractor, seat belt anchor and buckle bolts are tightened firmly.
 4. Check the shoulder seat belt guide and shoulder belt height adjuster for front seats. Check that guide swivels freely and that webbing lays flat and does not bind in guide. Check that height adjuster operates properly and holds securely.
 5. Check retractor operation:
 - a. Fully extend the seat belt webbing and check for twists, tears or other damage.
 - b. Allow the seat belt to retract. Check that webbing returns smoothly and completely into the retractor. If the seat belt does not return smoothly, wipe the inside of the loops with a clean paper cloth. Dirt build-up in the loops of the upper anchors can cause the seat belts to retract slowly.
 - c. Fasten the seat belt. Check that seat belt returns smoothly and completely to the retractor. If the webbing does not return smoothly, the cause may be an accumulation of dust or dirt. Use the "SEAT BELT TAPE SET" and perform the following steps.
 - d. Inspect the front seat belt D-ring anchor
 1. Pull the seat belt out to a length of 500 mm (19.69 in) or more.
 2. Hold the seat belt at the center pillar webbing opening with a clip or other device.
 3. Pass a thin wire through the D-ring anchor webbing opening. Hold both ends of the wire and pull it tightly while moving it up and down several times along the webbing opening surface to remove dirt stuck there.
 4. Any dirt that cannot be removed with the wire can be removed by cleaning the opening with a clean cloth.
 5. Apply tape at the point where the webbing contacts the D-ring anchor webbing opening.
- NOTE:**
Apply the tape so that there is no slack or wrinkling.
6. Remove the clip holding the seat belt and check that the webbing returns smoothly.
 6. Repeat steps above if necessary to check the other seat belts.

COMPONENT INSPECTION

< BASIC INSPECTION >

SEAT BELT RETRACTOR ON-VEHICLE CHECK

Emergency Locking Retractors (ELR) and Automatic Locking Retractors (ALR)

NOTE:

All seat belt retractors are Emergency Locking Retractors (ELR) type. In an emergency (sudden stop) the retractor will lock and prevent the webbing from extending any further. All 3-point type seat belt retractors except the driver seat belt also have an Automatic Locking Retractors (ALR) mode. The ALR mode (also called child restraint mode) is used when installing child seats. The ALR mode is activated when the seat belt is fully extended. When the webbing is then retracted partially, the ALR mode automatically locks the seat belt in a specific position so the webbing cannot be extended any further. To cancel the ALR mode, allow the seat belt to fully wind back into the retractor.

Check the seat belt retractors with the following test(s) to determine if a retractor assembly is operating properly.

ELR Function Stationary Check

Grasp the shoulder webbing and pull forward quickly. The retractor should lock and prevent the belt from extending further.

ALR Function Stationary Check

1. Pull out the entire length of seat belt from retractor until a click is heard.
2. Retract the webbing partially. A clicking noise should be heard as the webbing retracts, indicating that the retractor is in the Automatic Locking Retractors (ALR) mode.
3. Grasp the seat belt and try to pull out the retractor. The webbing must lock and not extend any further. If it does not operate normally, replace the retractor assembly.
4. Allow the entire length of the webbing to retract to cancel the automatic locking mode.

ELR Function Moving Check

WARNING:

Perform the following test in a safe, open area clear of other vehicles and obstructions (for example, a large, empty parking lot). Road surface must be paved and dry. Never perform the following test on wet or gravel roads or on public streets and highways. This could result in an accident and serious personal injury. The driver and passenger must be prepared to brace themselves in the event that the retractor does not lock.

1. Fasten driver seat belt. Buckle a passenger into the seat for the belt that is to be tested.
2. Proceed to the designated safe area.
3. Drive the vehicle at approximately 16 km/h (10 mph). Notify any passengers of a pending sudden stop and the driver and passenger must be prepared to brace themselves in the event that the retractor does not lock. Apply brakes firmly and make a very hard stop.

During stopping, seat belts should lock and not be extended. If the seat belt retractor assembly does not lock, perform the retractor off-vehicle check.

FRONT SEAT BELT RETRACTOR OFF-VEHICLE CHECK

1. Remove the front seat belt retractor. Refer to [SB-12, "SEAT BELT RETRACTOR : Removal and Installation"](#).
2. Slowly pull out webbing while tilting the seat belt retractor forward from the mounted position without twisting the seat belt retractor as shown.

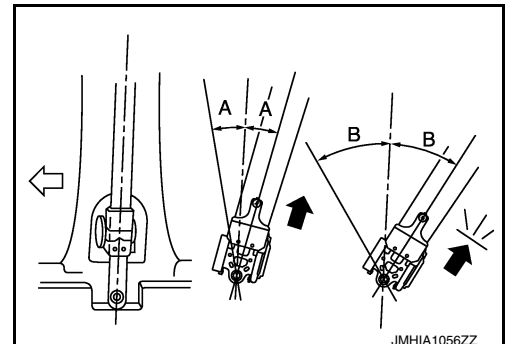
A : The webbing can be pulled out if the retractor is tilted 10° degree or less.

B : The webbing can not be pulled out if the retractor is tilted 30° degrees or more.

NOTE:

A and B show tilting angles.

⇐: Front



3. Replace the seat belt retractor if it does not operate within specifications.

COMPONENT INSPECTION

< BASIC INSPECTION >

REAR SEAT BELT RETRACTOR OFF-VEHICLE CHECK

1. Remove the rear seat belt retractor. Refer to [SB-17, "SEAT BELT RETRACTOR : Removal and Installation"](#).
2. Slowly pull out webbing while tilting the seat belt retractor forward from the mounted position without twisting the seat belt retractor as shown.

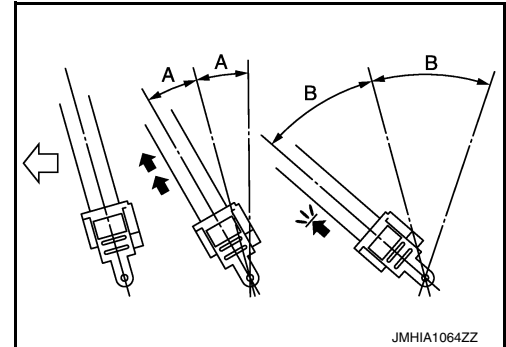
A : The webbing can be pulled out if the retractor is tilted 17° degree or less.

B : The webbing can not be pulled out if the retractor is tilted 37° degrees or more.

NOTE:

A and B show tilting angles.

↔: Front



3. Replace the seat belt retractor if it does not operate within specifications.

REAR SEAT BELT CENTER RETRACTOR OFF-VEHICLE CHECK

1. Remove the rear seat belt center retractor. Refer to [SB-17, "SEAT BELT RETRACTOR : Removal and Installation"](#).
2. Slowly pull out webbing while tilting the seat belt retractor forward from the mounted position without twisting the seat belt retractor as shown.

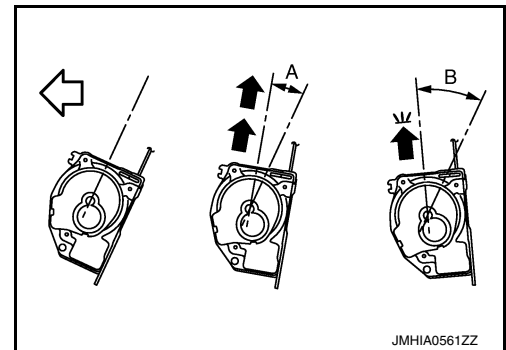
A : The webbing can be pulled out if the retractor is tilted 25° degree or less.

B : The webbing can not be pulled out if the retractor is tilted 45° degrees or more.

NOTE:

A and B show tilting angles.

↔: Front



3. Replace the seat belt retractor if it does not operate within specifications.

COMPONENT PARTS

< SYSTEM DESCRIPTION >

SYSTEM DESCRIPTION

COMPONENT PARTS

Seat belt warning lamp

INFOID:0000000010642419

Seat belt warning lamp on combination meter turns ON during a period when power switch is turned ON until front seat belts are fastened. Seat belt warning lamp turns OFF when seat belt is fastened. Seat belt warning lamp turns ON again when seat belt is unfastened.



Seat belt warning chime

INFOID:0000000010642420

Seat belt warning chime sounds for approximately 6 seconds when power switch is turned ON while driver seat belt is not fastened. Seat belt warning chime stops when seat belt is fastened.

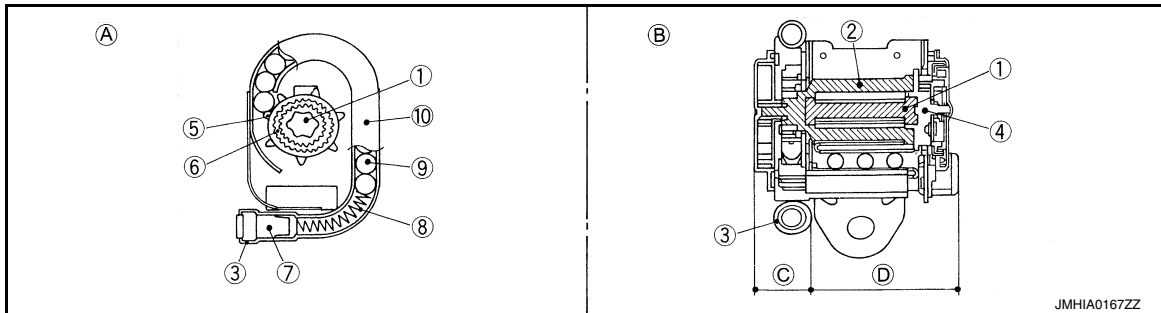
Seat belt pre-tensioner with Load limiter

INFOID:0000000010642421

DESCRIPTION

The seat belt system is equipped with pre-tensioner mechanism, load limiter mechanism, and ELR mechanism (front seat passenger restraint mechanism).

STRUCTURE



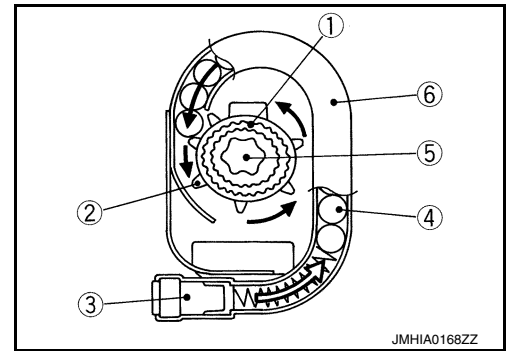
- | | | |
|--|--|------------------------------------|
| 1. ELR shaft (torsion bar) | 2. Bobbin | 3. Manifold case |
| 4. Lock portion | 5. Ring gear | 6. Pinion gear |
| 7. Gas generator | 8. Spring | 9. Ball |
| 10. Pipe | | |
| A. Pre-tensioner mechanism cross section | B. ELR mechanism portion cross section | C. Pre-tensioner mechanism portion |
| D. Load limiter portion | | |

PRE-TENSIONER MECHANISM

COMPONENT PARTS

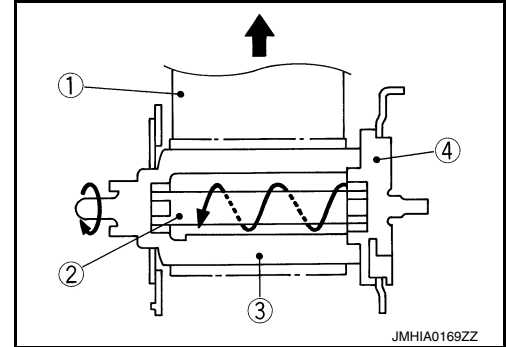
< SYSTEM DESCRIPTION >

- In a frontal collision that exceeds the specified limit, air bag sensor unit detects the collision, transmits an electrical signal to gas generator (3) in manifold case, and activates gas generator. Gas is generated.
- The pressure of the generated gas moves the ball (4) inside of pipe (6). The ball then presses ring gear (2) which is engaged to the pinion gear (1).
- The rotation of the ring gear rotates the shaft (5) in the retracting direction of the seat belt. Seat belt is retracted.



LOAD LIMITER (ELR) MECHANISM

- In a collision, when ELR shaft (2) is locked, a load caused by impact is applied to webbing (1)
- When a load is continuously applied to webbing and reaches or exceeds the specified level, a rotating force is applied to ELR shaft that is engaged to lock portion (4) and bobbin (3). ELR shaft twists.
- As ELR shaft is twisted, webbing is pulled out while keeping a certain level of tension and easing the impact to the chest of front seat passenger.



Double pre-tensioner seat belt

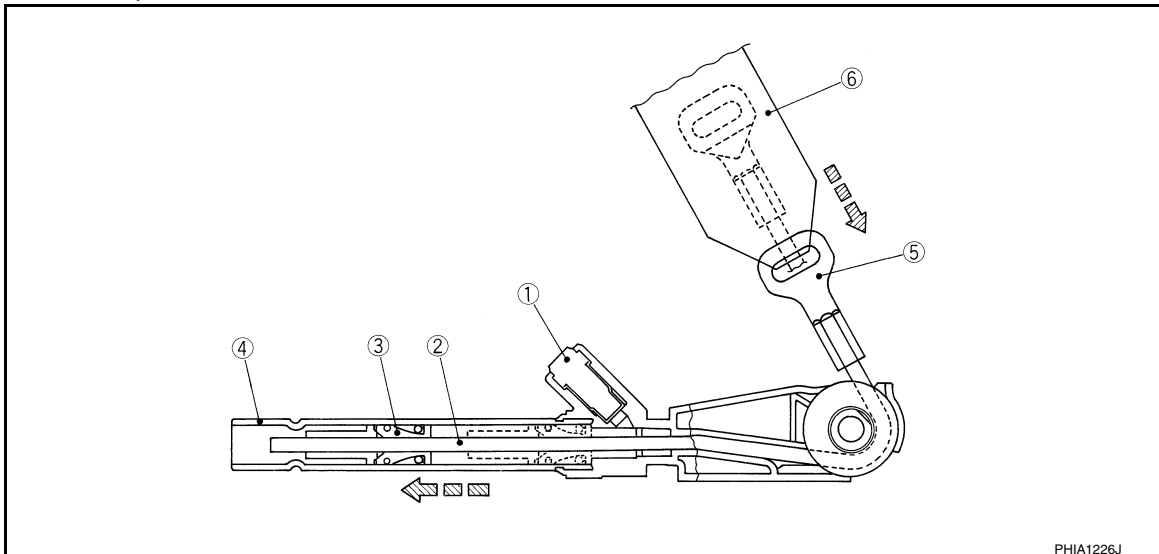
INFOID:000000010642422

DESCRIPTION

The system combines lap pre-tensioner mechanism for lumbar seat belt and pre-tensioner seat belt with load limiter. The system upgrades passenger restraint by reducing lumbar movement during a frontal collision.

LAP PRE-TENSIONER MECHANISM

- In a frontal collision that exceeds the specified limit, air bag sensor unit detects the collision, transmits an electrical signal to gas generator (1) in pipe, and activates gas generator. Gas is generated. The pressure of the generated gas moves the piston inside of pipe toward pipe front direction, and retracts wire.
- Lap anchor is installed to end of the wire and end of seat belt is connected to lap anchor. The wire therefore retracts seat belt.
- When piston stops, clutch mechanism integrated to piston prevents piston from moving in the original direction. Wire and lap anchor therefore remain in the retracted status.



- 1. Gas generator
- 4. Pipe

- 2. Wire
- 5. Lap anchor

- 3. Piston
- 6. Seat belt

FRONT SEAT BELT

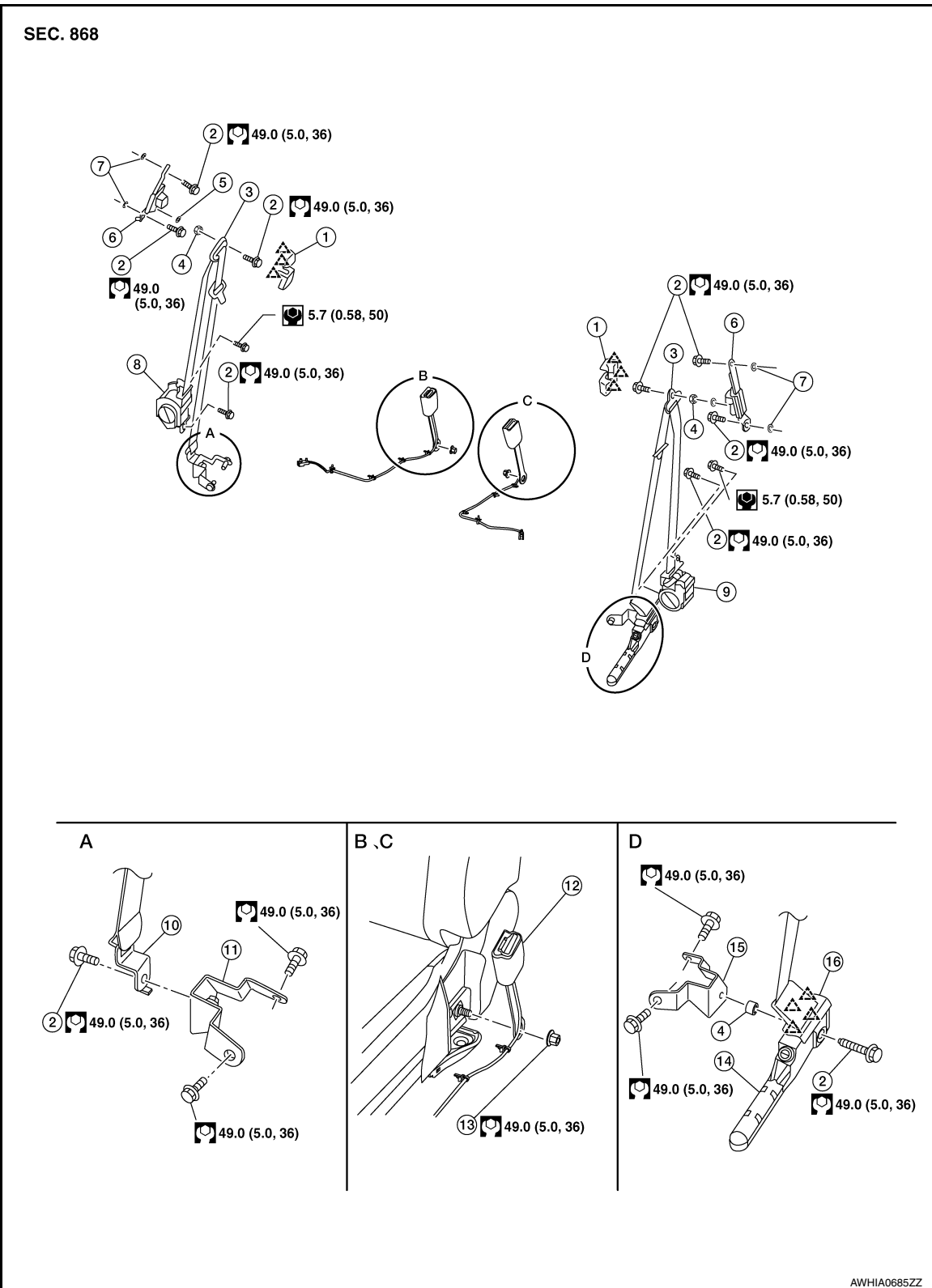
< REMOVAL AND INSTALLATION >

REMOVAL AND INSTALLATION

FRONT SEAT BELT

Exploded View

INFOID:000000010642423



A
B
C
D
E
F
G
SB
I
J
K
L
M
N
O
P

FRONT SEAT BELT

< REMOVAL AND INSTALLATION >

- | | | |
|--|---|--|
| 1. Height adjuster cover | 2. Anchor bolt | 3. Shoulder anchor |
| 4. Spacer | 5. Retaining washer | 6. Seat belt height adjuster |
| 7. Fiber washer | 8. Seat belt pre-tensioner retractor (Passenger side) | 9. Seat belt pre-tensioner retractor (Driver side) |
| 10. Outer anchor | 11. Joint bracket assembly (RH) | 12. Seat belt buckle |
| 13. Seat belt buckle nut | 14. Lap pre-tensioner | 15. Joint bracket assembly (LH) |
| 16. Lap pre-tensioner seat belt garnish | A. Enlarged view of joint bracket assembly (RH) | B. Enlarged view of front seat belt buckle |
| C. Enlarged view of front seat belt buckle | D. Enlarged view of joint bracket assembly (LH) | △ : Pawl |

SEAT BELT RETRACTOR

SEAT BELT RETRACTOR : Removal and Installation

INFOID:0000000010642424

REMOVAL

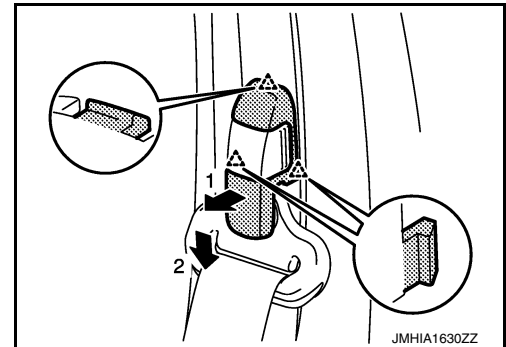
WARNING:

Before servicing, push power switch OFF, disconnect 12V battery negative terminal and wait 5 minutes or more. Refer to [SB-3, "Precautions for Removing Battery Terminal"](#).

Driver side

1. Remove shoulder anchor.
 1. Slide driver seat to the forwardmost position.
 2. Pull height adjuster cover in direction indicated by arrows as shown in the figure and remove.

△ : Pawl



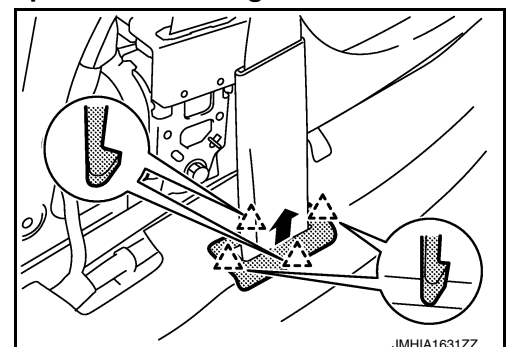
3. Remove shoulder anchor bolt and shoulder anchor.
2. Remove lap pre-tensioner.
 1. Remove center pillar lower garnish. Refer to [INT-30, "CENTER PILLAR LOWER GARNISH : Removal and Installation"](#).
 2. Remove front seat (LH) from the vehicle. Refer to [SE-29, "Removal and Installation"](#).

CAUTION:

When removing and installing, use shop cloths to protect parts from damage.

3. Lift up (←) lap pre-tensioner seat belt garnish, release pawls, and remove.

△ : Pawl



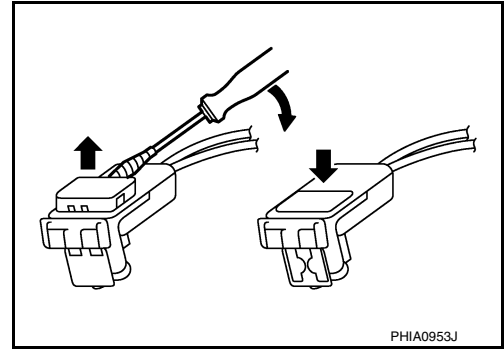
4. Pull up floor carpet.
5. Remove front floor spacer and rear floor spacer.
6. Disconnect lap pre-tensioner seat belt harness connector.

FRONT SEAT BELT

< REMOVAL AND INSTALLATION >

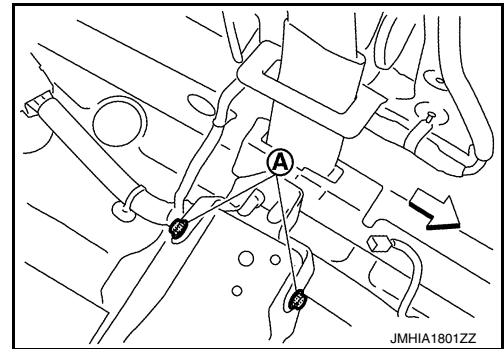
CAUTION:

- For installing/removing lap pre-tensioner connector, insert thin screwdriver wrapped in tape into notch, lift lock and remove connector.
- Install connector with lock raised, and push lock into connector.
- After installing the connector, check that the lock is pushed securely into it.



7. Remove joint bracket assembly (LH) bolts (A).

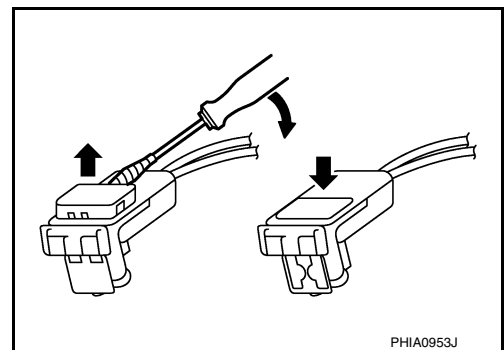
← : Front



8. Remove lap pre-tensioner from joint bracket assembly (LH).
3. Remove seat belt pre-tensioner retractor.
 1. Remove seat belt pre-tensioner retractor anchor bolt and screw.
 2. Disconnect seat belt pre-tensioner harness connector.

CAUTION:

- For installing/removing seat belt pre-tensioner connector, insert thin screwdriver wrapped in tape into notch, lift lock and remove connector.
- Install connector with lock raised, and push lock into connector.
- After installing the connector, check that the lock is pushed securely into it.



- Do not place pre-tensioner seat belt in an area where the temperature reaches 80°C or more.

4. Remove seat belt adjuster.
 1. Remove center pillar upper garnish.
Refer to [INT-31, "CENTER PILLAR UPPER GARNISH : Removal and Installation"](#).
 2. Remove seat belt adjuster bolts.


Passenger side

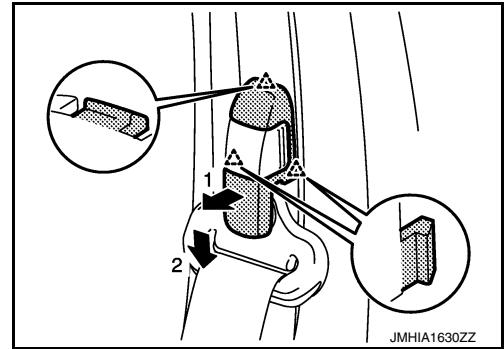
1. Remove shoulder anchor.
 1. Slide passenger seat to the forwardmost position.

FRONT SEAT BELT


< REMOVAL AND INSTALLATION >

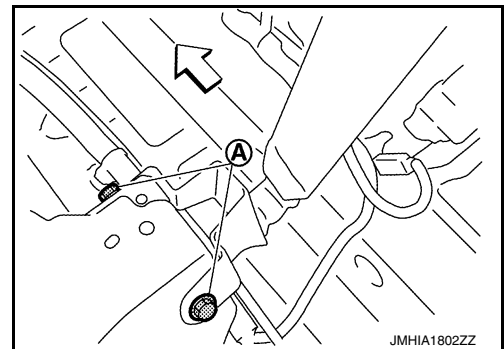
2. Pull adjuster cover in direction indicated by arrows as shown in the figure. Remove adjuster cover.

 : Pawl



3. Remove shoulder anchor bolt.
 2. Remove outer anchor.
 1. Remove center pillar lower garnish.
Refer to [INT-30, "CENTER PILLAR LOWER GARNISH : Removal and Installation"](#).
 2. Remove front seat (RH) from the vehicle.
Refer to [SE-29, "Removal and Installation"](#).
- CAUTION:**
When removing and installing, use shop cloths to protect parts from damage.
3. Pull up floor carpet.
 4. Remove front floor spacer and rear floor spacer.
 5. Remove joint bracket assembly (RH) bolts (A).

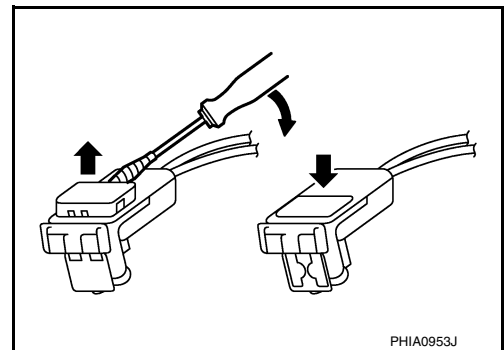
 : Front



6. Remove outer anchor from joint bracket assembly (RH).
3. Remove seat belt pre-tensioner retractor.
 1. Disconnect seat belt pre-tensioner harness connector.

CAUTION:

- For installing/removing seat belt pre-tensioner connector, insert thin screwdriver wrapped in tape into notch, lift lock and remove connector.
- Install connector with lock raised, and push lock into connector.
- After installing the connector, check that the lock is pushed securely into it.



2. Remove seat belt pre-tensioner retractor bolt and screw.
CAUTION:
Do not place pre-tensioner seat belt in an area where the temperature reaches 80°C or more.
4. Remove seat belt height adjuster.
 1. Remove center pillar upper garnish.
Refer to [INT-31, "CENTER PILLAR UPPER GARNISH : Removal and Installation"](#).
 2. Remove bolts and seat belt height adjuster.

INSTALLATION

FRONT SEAT BELT

< REMOVAL AND INSTALLATION >

Installation is in the reverse order of removal.

CAUTION:

Tighten bolts and screw to specification. Refer to [SB-11, "Exploded View"](#).

SEAT BELT BUCKLE

SEAT BELT BUCKLE : Removal and Installation

INFOID:000000010642425

REMOVAL

WARNING:

Before servicing, push power switch OFF, disconnect 12V battery negative terminal and wait 5 minutes or more. Refer to [SB-3, "Precautions for Removing Battery Terminal"](#).

1. Remove front seat from the vehicle.
Refer to [SE-29, "Removal and Installation"](#).

CAUTION:

When removing and installing, use shop cloths to protect parts from damage.

2. Disconnect the harness connector from the seat belt buckle and unclip harness from the seat frame.
3. Remove nut and the seat belt buckle.

INSTALLATION

Installation is in the reverse order of removal.

CAUTION:

Tighten nut to specification. Refer to [SB-11, "Exploded View"](#).

A
B
C
D
E
F
G
I
J
K
L
M
N
O
P

SB

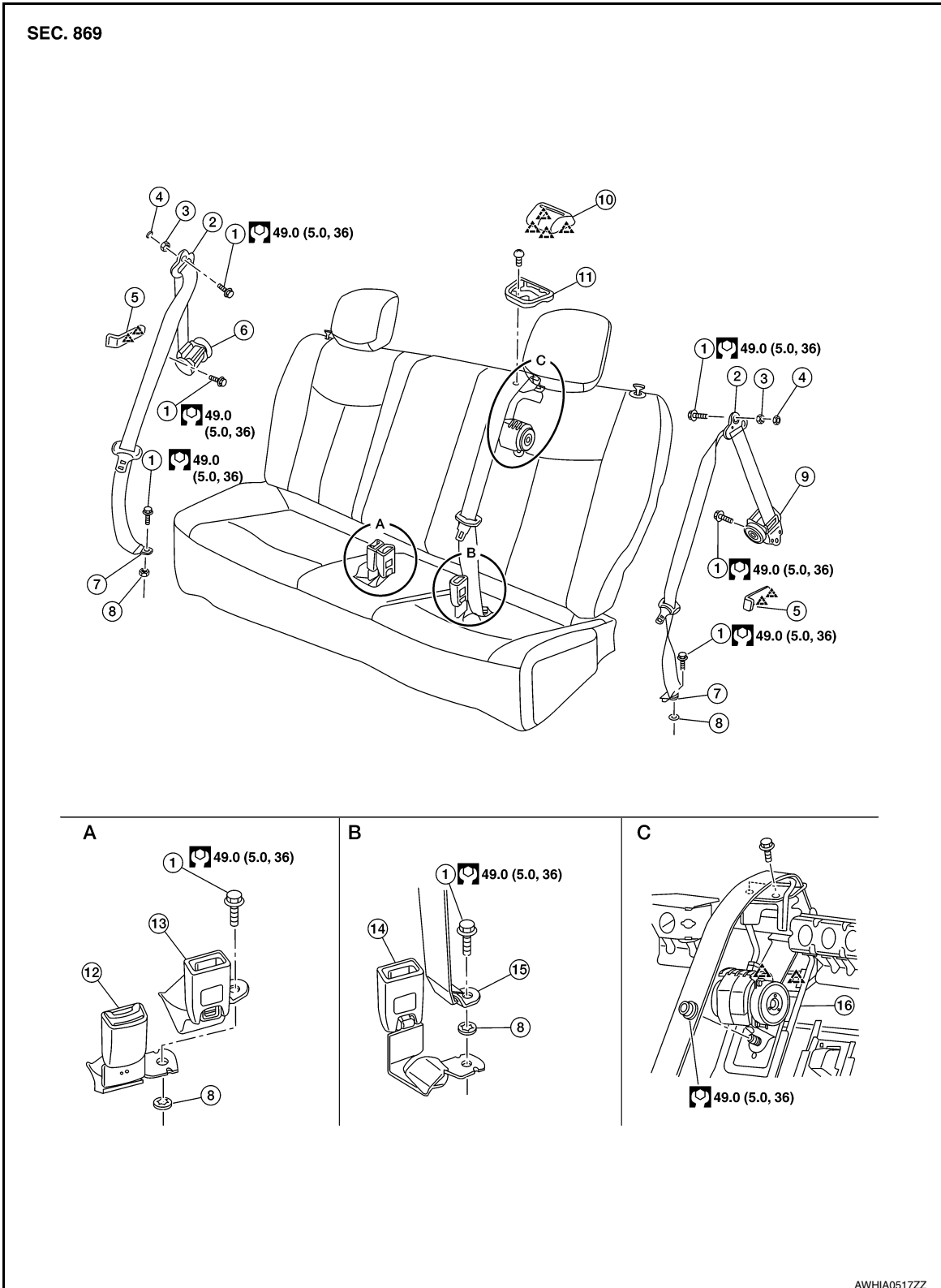
REAR SEAT BELT

< REMOVAL AND INSTALLATION >

REAR SEAT BELT

Exploded View

INFOID:000000010642426




- 1. Anchor bolt
- 4. Retaining washer
- 7. Outer anchor

- 2. Shoulder anchor
- 5. Seat belt hook
- 8. Retaining washer

- 3. Space
- 6. Outer seat belt retractor RH
- 9. Outer seat belt retractor LH

REAR SEAT BELT

< REMOVAL AND INSTALLATION >

- | | | | |
|--|--|---|---|
| 10. Center seat belt finisher | 11. Center seat belt cover | 12. Seat belt buckle RH | |
| 13. Center seat belt buckle | 14. Seat belt buckle LH | 15. Center anchor | A |
| 16. Center seat belt retractor | A. Enlarged view of seat belt buckle (RH/center) | B. Enlarged view of seat belt buckle (LH) | B |
| C. Enlarged view of Center seat belt retractor |  Pawl | | B |

SEAT BELT RETRACTOR

SEAT BELT RETRACTOR : Removal and Installation

INFOID:000000010642427

REMOVAL

Outer seat belt retractor

1. Remove outer anchor.
 1. Remove rear seat cushion from the vehicle.
Refer to [SE-40, "SEAT CUSHION : Removal and Installation"](#).
 2. Remove outer anchor bolt.
2. Remove shoulder anchor.
 1. Remove rear seatback from the vehicle.
Refer to [SE-40, "SEAT CUSHION : Removal and Installation"](#).
 2. Remove luggage side lower finisher.
Refer to [INT-42, "LUGGAGE SIDE LOWER FINISHER : Removal and Installation"](#).
 3. Remove luggage floor board.
Refer to [INT-41, "LUGGAGE FLOOR BOARD : Removal and Installation"](#).
 4. Remove shoulder anchor bolt.
3. Remove outer seat belt retractor bolt and then remove outer seat belt retractor.

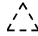
Center seat belt retractor

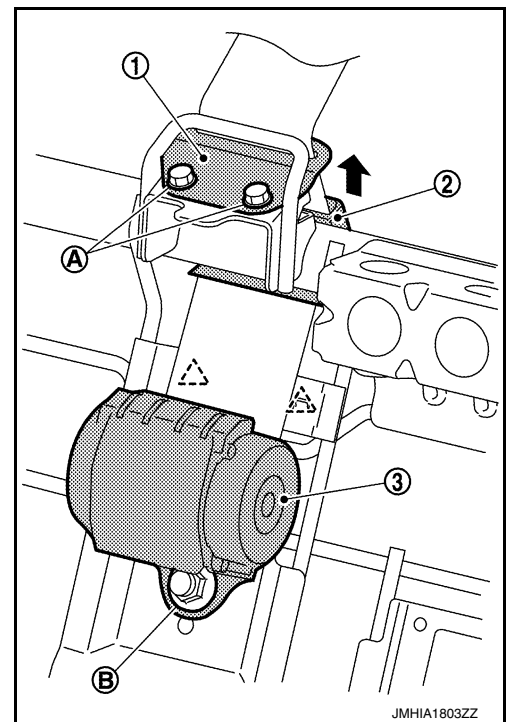
1. Remove center anchor.
 1. Remove rear seat cushion from the vehicle.
Refer to [SE-40, "SEAT CUSHION : Removal and Installation"](#).
 2. Remove center anchor bolt.
2. Remove rear seatback LH from the vehicle.
Refer to [SE-37, "SEATBACK : Removal and Installation"](#).
3. Remove seatback trim and seatback pad from seatback frame.
Refer to [SE-37, "SEATBACK : Disassembly and Assembly"](#).
4. Remove center seat belt retractor.

REAR SEAT BELT

< REMOVAL AND INSTALLATION >

1. Remove bolts (A) of upper webbing guide (1). Remove upper webbing guide from seatback frame (←).
2. Release pawls of lower webbing guide (2). Remove lower webbing guide as shown.
3. Remove mounting anchor nut (B) of center seat belt retractor (3) from seatback frame.

 : Pawl



INSTALLATION

Installation is in the reverse order of removal.

CAUTION:

Tighten bolts and nut to specification. Refer to [SB-16, "Exploded View"](#).

SEAT BELT BUCKLE

SEAT BELT BUCKLE : Removal and Installation

INFOID:000000010642428

REMOVAL

1. Remove rear seat cushion from the vehicle.
Refer to [SE-40, "SEAT CUSHION : Removal and Installation"](#).
2. Remove seat belt buckle bolt, then remove seat belt buckle.

INSTALLATION

Installation is in the reverse order of removal.

CAUTION:

Tighten bolt to specification. Refer to [SB-16, "Exploded View"](#).

SEAT BELT HOOK

SEAT BELT HOOK : Removal and Installation

INFOID:000000010642429

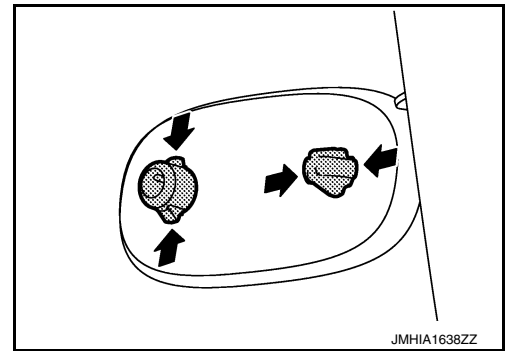
REMOVAL

1. Remove rear seatback from the vehicle.
Refer to [SE-37, "SEATBACK : Removal and Installation"](#).
2. Remove luggage side lower finisher.
Refer to [INT-42, "LUGGAGE SIDE LOWER FINISHER : Removal and Installation"](#).

REAR SEAT BELT

< REMOVAL AND INSTALLATION >

3. From back of luggage side lower finisher, release pawls as shown (←) and remove seat belt hook from luggage side lower finisher.



INSTALLATION

Installation is in the reverse order of removal.

A
B
C
D
E
F
G
SB
I
J
K
L
M
N
O
P