

SECTION **EI**

EXTERIOR & INTERIOR

A
B
C
D
E
F
G
H
I
J
K
L
M

CONTENTS

PRECAUTIONS	3	FRONT GRILLE	16
Precautions for Supplemental Restraint System (SRS) "AIR BAG" and "SEAT BELT PRE-TENSIONER"	3	Removal and Installation	16
Precautions for Procedures without Cowl Top Cover... 3		REMOVAL	16
Precautions for Work	3	INSTALLATION	16
PREPARATION	4	HOOD	17
Special Service Tools	4	Removal and Installation	17
Commercial Service Tools	4	HOOD TOP MOLDING	17
SQUEAK AND RATTLE TROUBLE DIAGNOSES	5	COWL TOP	18
Work Flow	5	Removal and Installation	18
CUSTOMER INTERVIEW	5	REMOVAL	18
DUPLICATE THE NOISE AND TEST DRIVE	6	INSTALLATION	18
CHECK RELATED SERVICE BULLETINS	6	FENDER PROTECTOR	20
LOCATE THE NOISE AND IDENTIFY THE ROOT CAUSE	6	Removal and Installation	20
REPAIR THE CAUSE	6	REMOVAL	20
CONFIRM THE REPAIR	7	INSTALLATION	20
Generic Squeak and Rattle Troubleshooting	7	Rear Wheel House Protector	21
INSTRUMENT PANEL	7	REMOVAL AND INSTALLATION	21
CENTER CONSOLE	7	REMOVAL	21
DOORS	7	INSTALLATION	21
TRUNK	8	CENTER MUD GUARD	22
SUNROOF/HEADLINING	8	Removal and Installation	22
SEATS	8	REMOVAL	22
UNDERHOOD	8	INSTALLATION	22
Diagnostic Worksheet	9	FLOOR SIDE FAIRING	23
FRONT BUMPER	11	Removal and Installation of Under Cover (for V6 Engine Models)	23
Removal and Installation	11	Removal and Installation of Under Cover (for V8 Engine Models)	23
REMOVAL	12	FRONT UNDER COVER	23
INSTALLATION	12	FRONT UNDER COVER (REAR)	24
Removal and Installation of Front Bumper Grille ...	13	FLOOR UNDER COVER	24
REMOVAL	13	REAR UNDER COVER	24
INSTALLATION	13	REAR DIFFUSER	24
REAR BUMPER	14	ROOF SIDE MOLDING	25
Removal and Installation	14	Removal and Installation	25
REMOVAL	15	REMOVAL	25
INSTALLATION	15	INSTALLATION	26

DOOR SASH MOLDING	27	BODY SIDE TRIM	37
Removal and Installation	27	Removal and Installation	37
FRONT DOOR SASH MOLDING	27	FRONT PILLAR GARNISH	38
REAR DOOR SASH MOLDING	27	FRONT KICKING PLATE OUTER	38
DOOR SASH OUTER COVER	28	FRONT KICKING PLATE INNER	38
REAR DOOR CORNER COVER	28	FRONT BODY SIDE WELT	39
DOOR OUTSIDE MOLDING	29	CENTER PILLAR LOWER GARNISH	39
Removal and Installation	29	CENTER PILLAR UPPER GARNISH	39
FRONT DOOR OUTSIDE MOLDING	29	REAR KICKING PLATE OUTER	40
REAR DOOR OUTSIDE MOLDING	30	REAR KICKING PLATE INNER	40
SIDE GUARD MOLDING	31	REAR BODY SIDE WELT	40
Removal and Installation	31	REAR WHEEL HOUSE GARNISH	41
REMOVAL	31	REAR PILLAR FINISHER	41
INSTALLATION	31	REAR PARCEL SHELF FINISHER	42
DOOR PARTING SEAL	32	Removal and Installation	42
Removal and Installation	32	REMOVAL	42
FRONT DOOR PARTING SEAL	32	INSTALLATION	43
REAR DOOR PARTING SEAL	32	Rear Window Sunshade	43
TRUNK LID FINISHER	33	REMOVAL AND INSTALLATION	43
Removal and Installation	33	SUNSHADE	44
REMOVAL	33	Component Parts and Harness Connector Location ..	44
INSTALLATION	33	Schematic	45
DOOR FINISHER	34	Wiring Diagram—SHADE—	46
Removal and Installation	34	Terminals and Reference Values for Rear Sun-	
FRONT AND REAR DOOR FINISHER	34	shade Unit	49
FRONT DOOR SASH COVER INNER	36	FLOOR TRIM	50
REAR DOOR SASH COVER INNER	36	Removal and Installation	50
		REMOVAL	50
		INSTALLATION	51
		HEADLINING	52
		Removal and Installation	52
		REMOVAL	53
		INSTALLATION	55
		TRUNK ROOM TRIM & TRUNK LID FINISHER	56
		Removal and Installation for Trunk Room Trim	56
		REMOVAL	57
		INSTALLATION	57
		REMOVAL AND INSTALLATION OF TRUNK LID	
		FINISHER INNER	57

PRECAUTIONS

PRECAUTIONS

PFP:00001

Precautions for Supplemental Restraint System (SRS) “AIR BAG” and “SEAT BELT PRE-TENSIONER”

NIS00245

The Supplemental Restraint System such as “AIR BAG” and “SEAT BELT PRE-TENSIONER”, used along with a front seat belt, helps to reduce the risk or severity of injury to the driver and front passenger for certain types of collision. This system includes seat belt switch inputs and dual stage front air bag modules. The SRS system uses the seat belt switches to determine the front air bag deployment, and may only deploy one front air bag, depending on the severity of a collision and whether the front occupants are belted or unbelted. Information necessary to service the system safely is included in the SRS and SB section of this Service Manual.

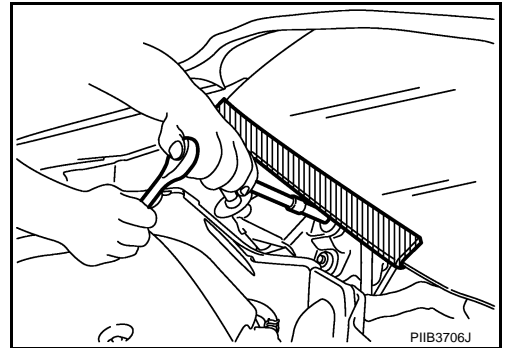
WARNING:

- To avoid rendering the SRS inoperative, which could increase the risk of personal injury or death in the event of a collision which would result in air bag inflation, all maintenance must be performed by an authorized NISSAN/INFINITI dealer.
- Improper maintenance, including incorrect removal and installation of the SRS, can lead to personal injury caused by unintentional activation of the system. For removal of Spiral Cable and Air Bag Module, see the SRS section.
- Do not use electrical test equipment on any circuit related to the SRS unless instructed to in this Service Manual. SRS wiring harnesses can be identified by yellow and/or orange harnesses or harness connectors.

Precautions for Procedures without Cowl Top Cover

NIS00246

When performing the procedure after removing cowl top cover, cover the lower end of windshield with urethane, etc.



Precautions for Work

NIS00247

- After removing and installing the opening/closing parts, be sure to carry out fitting adjustments to check their operation.
- Check the lubrication level, damage, and wear of each part. If necessary, grease or replace it.

PREPARATION

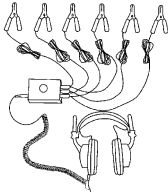
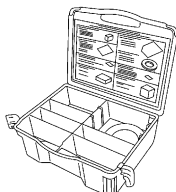
PREPARATION

PFP:00002

Special Service Tools

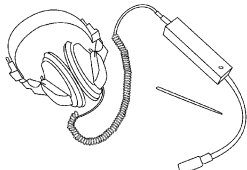

NIS00248

The actual shapes of Kent-Moore tools may differ from those of special service tools illustrated here.

Tool number (Kent-Moore No.) Tool name	Description
(J-39570) Chassis ear  SIIA0993E	Location the noise
(J-43980) NISSAN Squeak and Rattle Kit  SIIA0994E	Repairing the cause of noise

Commercial Service Tools

NIS00249

Tool name	Description
Engine ear  SIIA0995E	Location the noise
Power tool  PIIB1407E	

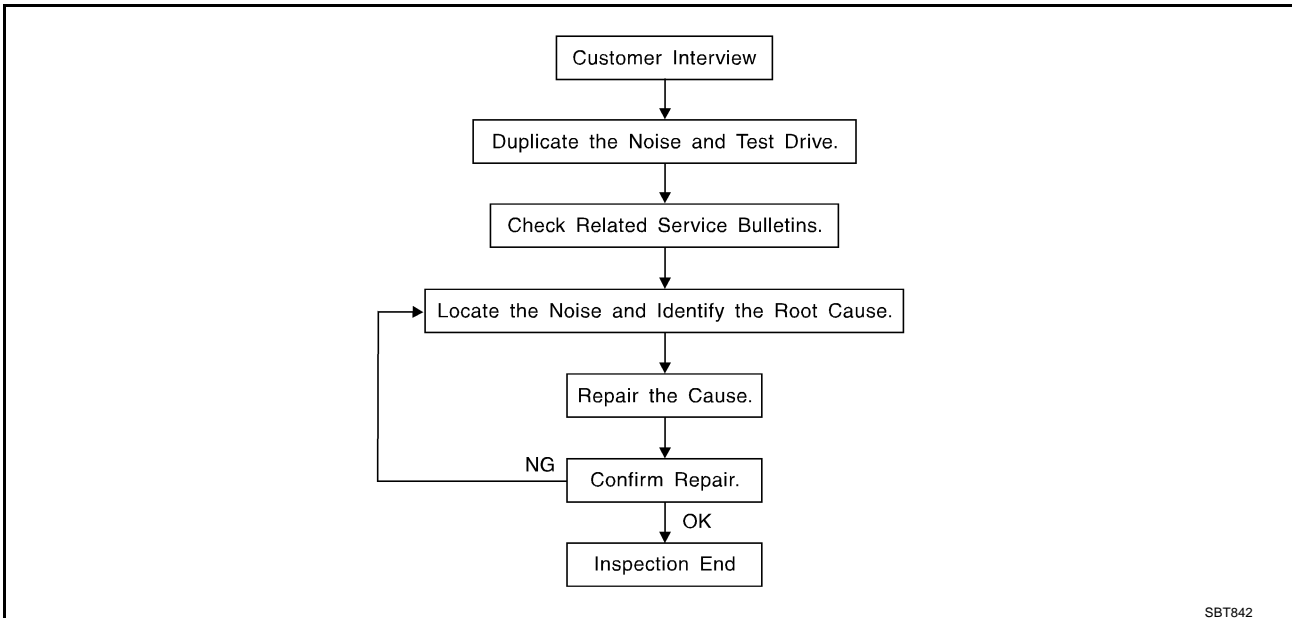
SQUEAK AND RATTLE TROUBLE DIAGNOSES

SQUEAK AND RATTLE TROUBLE DIAGNOSES

PPF:00000

Work Flow

NIS0024A



CUSTOMER INTERVIEW

Interview the customer if possible, to determine the conditions that exist when the noise occurs. Use the Diagnostic Worksheet during the interview to document the facts and conditions when the noise occurs and any customer's comments; refer to [EI-9, "Diagnostic Worksheet"](#). This information is necessary to duplicate the conditions that exist when the noise occurs.

- The customer may not be able to provide a detailed description or the location of the noise. Attempt to obtain all the facts and conditions that exist when the noise occurs (or does not occur).
- If there is more than one noise in the vehicle, be sure to diagnose and repair the noise that the customer is concerned about. This can be accomplished by test driving the vehicle with the customer.
- After identifying the type of noise, isolate the noise in terms of its characteristics. The noise characteristics are provided so the customer, service adviser and technician are all speaking the same language when defining the noise.
- Squeak—(Like tennis shoes on a clean floor)
Squeak characteristics include the light contact/fast movement/brought on by road conditions/hard surfaces=higher pitch noise/softer surfaces=lower pitch noises/edge to surface=chirping
- Creak—(Like walking on an old wooden floor)
Creak characteristics include firm contact/slow movement/twisting with a rotational movement/pitch dependent on materials/often brought on by activity.
- Rattle—(Like shaking a baby rattle)
Rattle characteristics include the fast repeated contact/vibration or similar movement/loose parts/missing clip or fastener/incorrect clearance.
- Knock—(Like a knock on a door)
Knock characteristics include hollow sounding/sometimes repeating/often brought on by driver action.
- Tick—(Like a clock second hand)
Tick characteristics include gentle contacting of light materials/loose components/can be caused by driver action or road conditions.
- Thump—(Heavy, muffled knock noise)
Thump characteristics include softer knock/dead sound often brought on by activity.
- Buzz—(Like a bumble bee)
Buzz characteristics include high frequency rattle/firm contact.
- Often the degree of acceptable noise level will vary depending upon the person. A noise that you may judge as acceptable may be very irritating to the customer.
- Weather conditions, especially humidity and temperature, may have a great effect on noise level.

SQUEAK AND RATTLE TROUBLE DIAGNOSES

DUPLICATE THE NOISE AND TEST DRIVE

If possible, drive the vehicle with the customer until the noise is duplicated. Note any additional information on the Diagnostic Worksheet regarding the conditions or location of the noise. This information can be used to duplicate the same conditions when you confirm the repair.

If the noise can be duplicated easily during the test drive, to help identify the source of the noise, try to duplicate the noise with the vehicle stopped by doing one or all of the following:

- 1) Close a door.
 - 2) Tap or push/pull around the area where the noise appears to be coming from.
 - 3) Rev the engine.
 - 4) Use a floor jack to recreate vehicle "twist".
 - 5) At idle, apply engine load (electrical load, half-clutch on M/T models, drive position on A/T models).
 - 6) Raise the vehicle on a hoist and hit a tire with a rubber hammer.
- Drive the vehicle and attempt to duplicate the conditions the customer states exist when the noise occurs.
 - If it is difficult to duplicate the noise, drive the vehicle slowly on an undulating or rough road to stress the vehicle body.

CHECK RELATED SERVICE BULLETINS

After verifying the customer concern or symptom, check ASIST for Technical Service Bulletins (TSBs) related to that concern or symptom.

If a TSB relates to the symptom, follow the procedure to repair the noise.

LOCATE THE NOISE AND IDENTIFY THE ROOT CAUSE

1. Narrow down the noise to a general area. To help pinpoint the source of the noise, use a listening tool (Chassis Ear: J-39570, Engine Ear and mechanics stethoscope).
2. Narrow down the noise to a more specific area and identify the cause of the noise by:
 - removing the components in the area that you suspect the noise is coming from.
Do not use too much force when removing clips and fasteners, otherwise clips and fastener can be broken or lost during the repair, resulting in the creation of new noise.
 - tapping or pushing/pulling the component that you suspect is causing the noise.
Do not tap or push/pull the component with excessive force, otherwise the noise will be eliminated only temporarily.
 - feeling for a vibration with your hand by touching the component(s) that you suspect is (are) causing the noise.
 - placing a piece of paper between components that you suspect are causing the noise.
 - looking for loose components and contact marks.
Refer to [EI-7, "Generic Squeak and Rattle Troubleshooting"](#).

REPAIR THE CAUSE

- If the cause is a loose component, tighten the component securely.
- If the cause is insufficient clearance between components:
 - separate components by repositioning or loosening and retightening the component, if possible.
 - insulate components with a suitable insulator such as urethane pads, foam blocks, felt cloth tape or urethane tape. A Nissan Squeak and Rattle Kit (J-43980) is available through your authorized Nissan Parts Department.

CAUTION:

Do not use excessive force as many components are constructed of plastic and may be damaged.

NOTE:

Always check with the Parts Department for the latest parts information.

The following materials are contained in the Nissan Squeak and Rattle Kit (J-43980). Each item can be ordered separately as needed.

URETHANE PADS [1.5 mm (0.059 in) thick]

Insulates connectors, harness, etc.

76268-9E005: 100 × 135 mm (3.94 × 5.31 in)/76884-71L01: 60 × 85 mm (2.36 × 3.35 in)/76884-

71L02: 15 × 25 mm (0.59 × 0.98 in)

INSULATOR (Foam blocks)

Insulates components from contact. Can be used to fill space behind a panel.

73982-9E000: 45 mm (1.77 in) thick, 50 × 50 mm (1.97 × 1.97 in)/73982-

50Y00: 10 mm (0.39 in) thick, 50 × 50 mm (1.97 × 1.97 in)

SQUEAK AND RATTLE TROUBLE DIAGNOSES

INSULATOR (Light foam block)

80845-71L00: 30 mm (1.18 in) thick, 30 × 50 mm (1.18 × 1.97 in)

FELT CLOTHTAPE

Used to insulate where movement does not occur. Ideal for instrument panel applications.

68370-4B000: 15 × 25 mm (0.59 × 0.98 in) pad/68239-13E00: 5 mm (0.20 in) wide tape roll

The following materials, not found in the kit, can also be used to repair squeaks and rattles.

UHMW (TEFLON) TAPE

Insulates where slight movement is present. Ideal for instrument panel applications.

SILICONE GREASE

Used in place of UHMW tape that will be visible or not fit. Will only last a few months.

SILICONE SPRAY

Use when grease cannot be applied.

DUCT TAPE

Use to eliminate movement.

CONFIRM THE REPAIR

Confirm that the cause of a noise is repaired by test driving the vehicle. Operate the vehicle under the same conditions as when the noise originally occurred. Refer to the notes on the Diagnostic Worksheet.

Generic Squeak and Rattle Troubleshooting

NIS0024B

Refer to Table of Contents for specific component removal and installation information.

INSTRUMENT PANEL

Most incidents are caused by contact and movement between:

1. The cluster lid A and instrument panel
2. Acrylic lens and combination meter housing
3. Instrument panel to front pillar garnish
4. Instrument panel to windshield
5. Instrument panel mounting pins
6. Wiring harnesses behind the combination meter
7. A/C defroster duct and duct joint

These incidents can usually be located by tapping or moving the components to duplicate the noise or by pressing on the components while driving to stop the noise. Most of these incidents can be repaired by applying felt cloth tape or silicon spray (in hard to reach areas). Urethane pads can be used to insulate wiring harness.

CAUTION:

Do not use silicone spray to isolate a squeak or rattle. If you saturate the area with silicone, you will not be able to recheck the repair.

CENTER CONSOLE

Components to pay attention to include:

1. Shifter assembly cover to finisher
2. A/C control unit and cluster lid C
3. Wiring harnesses behind audio and A/C control unit

The instrument panel repair and isolation procedures also apply to the center console.

DOORS

Pay attention to the:

1. Finisher and inner panel making a slapping noise
2. Inside handle escutcheon to door finisher
3. Wiring harnesses tapping
4. Door striker out of alignment causing a popping noise on starts and stops

Tapping or moving the components or pressing on them while driving to duplicate the conditions can isolate many of these incidents. You can usually insulate the areas with felt cloth tape or insulator foam blocks from the Nissan Squeak and Rattle Kit (J-43980) to repair the noise.

SQUEAK AND RATTLE TROUBLE DIAGNOSES

TRUNK

Trunk noises are often caused by a loose jack or loose items put into the trunk by the owner. In addition look for:

1. Trunk lid dumpers out of adjustment
2. Trunk lid striker out of adjustment
3. The trunk lid torsion bars knocking together
4. A loose license plate or bracket

Most of these incidents can be repaired by adjusting, securing or insulating the item(s) or component(s) causing the noise.

SUNROOF/HEADLINING

Noises in the sunroof/headlining area can often be traced to one of the following:

1. Sunroof lid, rail, linkage or seals making a rattle or light knocking noise
2. Sunvisor shaft shaking in the holder
3. Front or rear windshield touching headlining and squeaking

Again, pressing on the components to stop the noise while duplicating the conditions can isolate most of these incidents. Repairs usually consist of insulating with felt cloth tape.

SEATS

When isolating seat noise it's important to note the position the seat is in and the load placed on the seat when the noise is present. These conditions should be duplicated when verifying and isolating the cause of the noise.

Cause of seat noise include:

1. Headrest rods and holder
2. A squeak between the seat pad cushion and frame
3. The rear seatback lock and bracket

These noises can be isolated by moving or pressing on the suspected components while duplicating the conditions under which the noise occurs. Most of these incidents can be repaired by repositioning the component or applying urethane tape to the contact area.

UNDERHOOD

Some interior noise may be caused by components under the hood or on the engine wall. The noise is then transmitted into the passenger compartment.

Causes of transmitted underhood noise include:

1. Any component mounted to the engine wall
2. Components that pass through the engine wall
3. Engine wall mounts and connectors
4. Loose radiator mounting pins
5. Hood bumpers out of adjustment
6. Hood striker out of adjustment

These noises can be difficult to isolate since they cannot be reached from the interior of the vehicle. The best method is to secure, move or insulate one component at a time and test drive the vehicle. Also, engine RPM or load can be changed to isolate the noise. Repairs can usually be made by moving, adjusting, securing, or insulating the component causing the noise.

SQUEAK AND RATTLE TROUBLE DIAGNOSES

Diagnostic Worksheet

NIS0024C



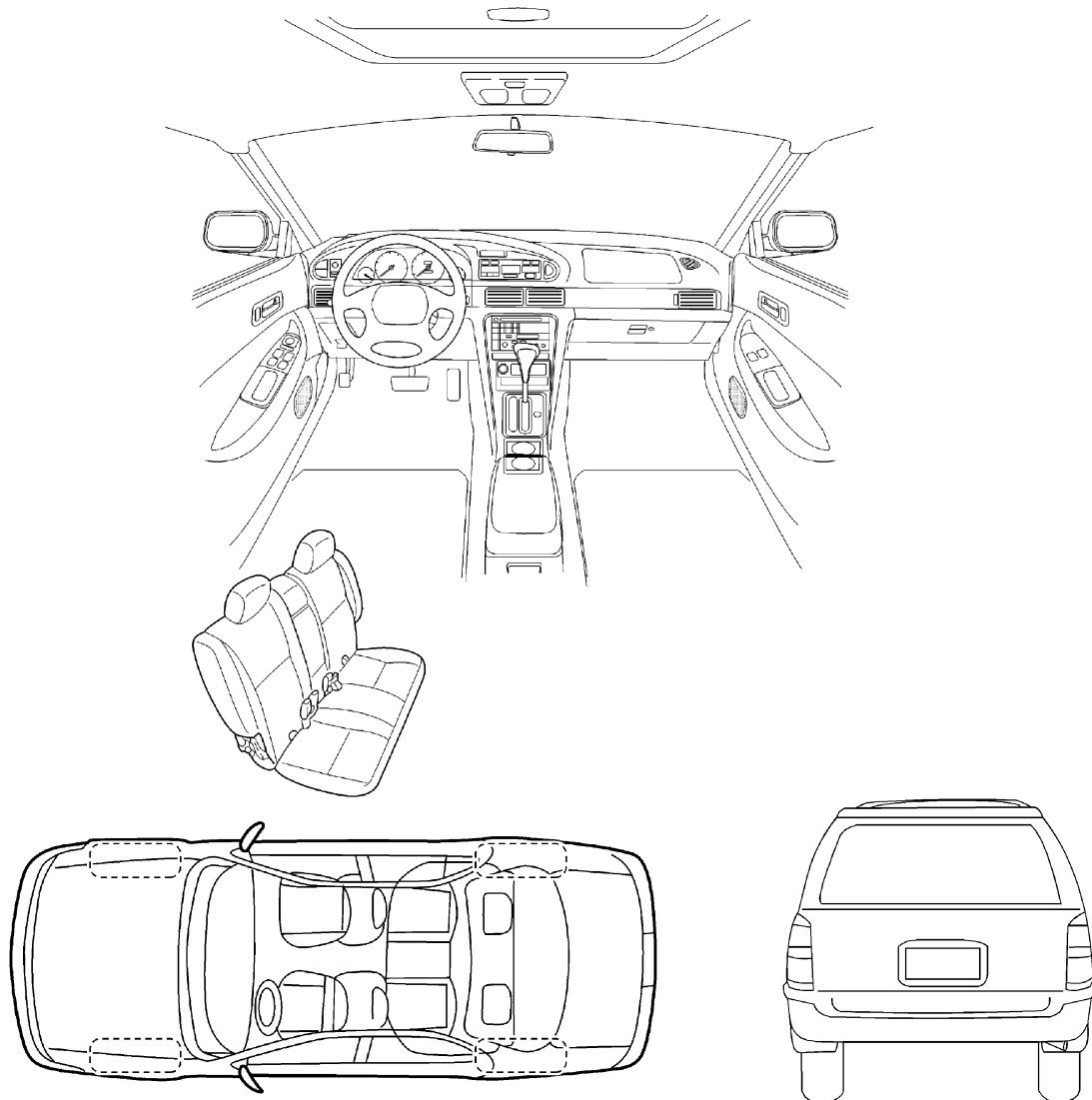
SQUEAK & RATTLE DIAGNOSTIC WORKSHEET

Dear Infiniti Customer:

We are concerned about your satisfaction with your Infiniti vehicle. Repairing a squeak or rattle sometimes can be very difficult. To help us fix your Infiniti right the first time, please take a moment to note the area of the vehicle where the squeak or rattle occurs and under what conditions. You may be asked to take a test drive with a service advisor or technician to ensure we confirm the noise you are hearing.

I. WHERE DOES THE NOISE COME FROM? (circle the area of the vehicle)

The illustrations are for reference only, and may not reflect the actual configuration of your vehicle.



Continue to the back of the worksheet and briefly describe the location of the noise or rattle. In addition, please indicate the conditions which are present when the noise occurs.

SBT860

A
B
C
D
E
F
G
H
EI
J
K
L
M

SQUEAK AND RATTLE TROUBLE DIAGNOSES

SQUEAK & RATTLE DIAGNOSTIC WORKSHEET- page 2

Briefly describe the location where the noise occurs:

II. WHEN DOES IT OCCUR? (check the boxes that apply)

- | | |
|--|---|
| <input type="checkbox"/> anytime | <input type="checkbox"/> after sitting out in the sun |
| <input type="checkbox"/> 1 st time in the morning | <input type="checkbox"/> when it is raining or wet |
| <input type="checkbox"/> only when it is cold outside | <input type="checkbox"/> dry or dusty conditions |
| <input type="checkbox"/> only when it is hot outside | <input type="checkbox"/> other: _____ |

III. WHEN DRIVING:

- through driveways
- over rough roads
- over speed bumps
- only at about ____ mph
- on acceleration
- coming to a stop
- on turns : left, right or either (circle)
- with passengers or cargo
- other: _____
- after driving ____ miles or ____ minutes

IV. WHAT TYPE OF NOISE?

- squeak (like tennis shoes on a clean floor)
- creak (like walking on an old wooden floor)
- rattle (like shaking a baby rattle)
- knock (like a knock on a door)
- tick (like a clock second hand)
- thump (heavy, muffled knock noise)
- buzz (like a bumble bee)

TO BE COMPLETED BY DEALERSHIP PERSONNEL

Test Drive Notes:

	YES	NO	Initials of person performing
Vehicle test driven with customer	<input type="checkbox"/>	<input type="checkbox"/>	_____
- Noise verified on test drive	<input type="checkbox"/>	<input type="checkbox"/>	_____
- Noise source located and repaired	<input type="checkbox"/>	<input type="checkbox"/>	_____
- Follow up test drive performed to confirm repair	<input type="checkbox"/>	<input type="checkbox"/>	_____

VIN: _____ Customer Name: _____

W.O. #: _____ Date: _____

This form must be attached to Work Order

SBT844

FRONT BUMPER

FRONT BUMPER

PFP:F2022

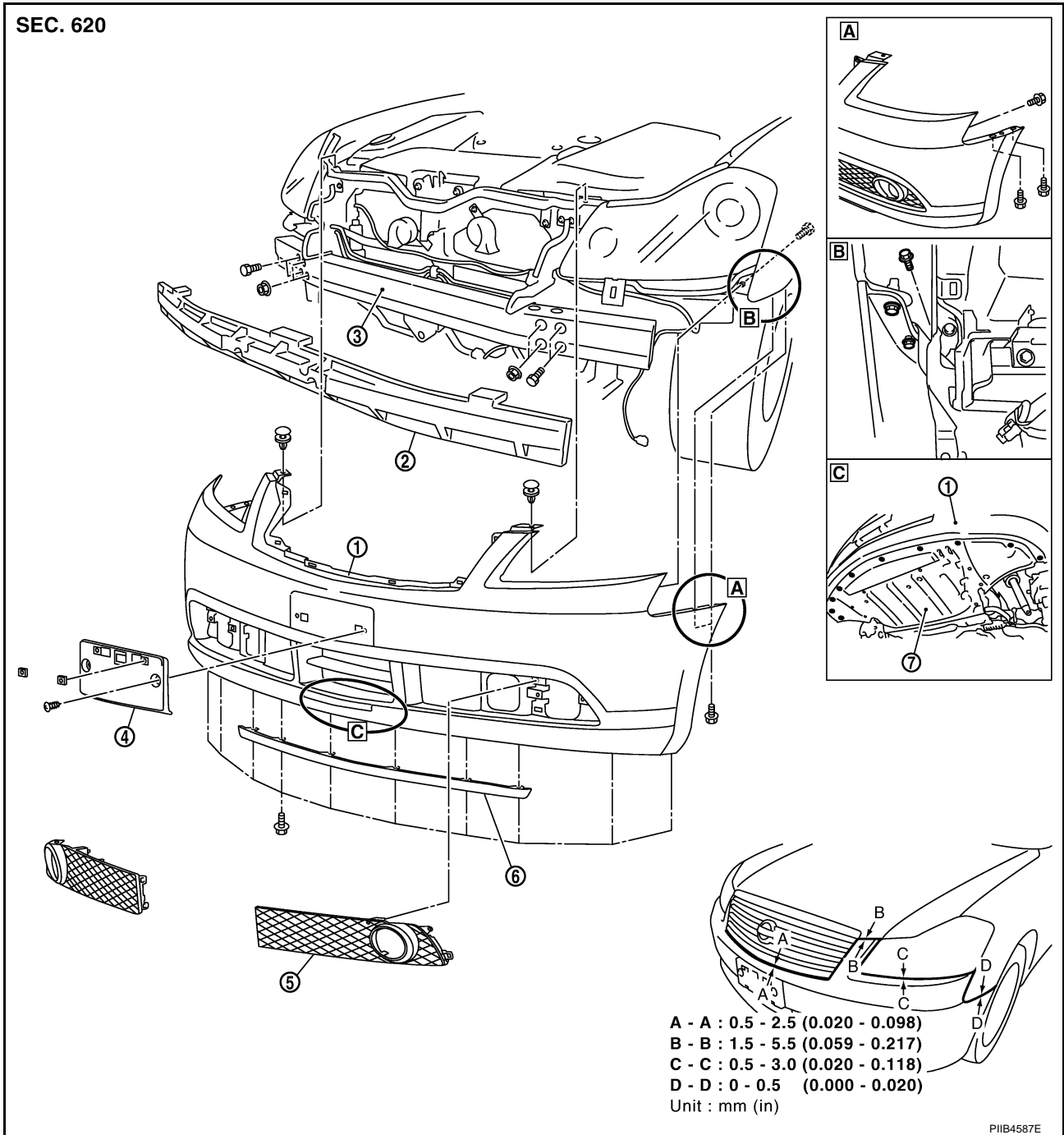
Removal and Installation

NIS0024D

CAUTION:

Bumper fascia is made of resin. Do not apply strong force to it, and be careful to prevent contact with oil.

A
B
C
D
E
F
G
H
EI
J
K
L
M



- | | | |
|---------------------------|------------------------|-------------------------|
| 1. Bumper fascia assembly | 2. Energy absorber | 3. Bumper reinforcement |
| 4. License plate bracket | 5. Front bumper grille | 6. Front air spoiler |
| 7. Front undercover | | |

FRONT BUMPER

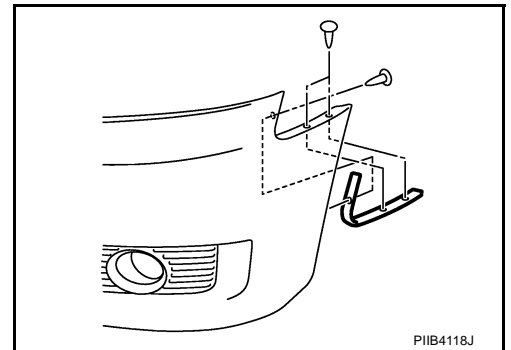
REMOVAL

1. Fully open hood assembly.
2. Remove screws of front air spoiler and remove front air spoiler.
3. Remove bolts of front undercover and remove undercover. (Figure to illustration C)
4. Remove front side of fender protector (LH/RH). Refer to [EI-20, "FENDER PROTECTOR"](#) .
5. Remove clips of bumper fascia upper side.
6. Remove clips of front grille upper side.
7. Remove screws of bumper fascia left/right side. (Figure to illustration A, B)
8. Disconnect fog lamp harness connectors (LH/RH) after pulling out, and then remove bumper fascia.

CAUTION:

When removing bumper fascia, 2 workers are required so as to prevent it from dropping.

9. Remove the following parts after removing bumper fascia.
 - Front grille
 - License plate bracket
 - Front bumper grille (LH/RH) Refer to [EI-13, "Removal and Installation of Front Bumper Grille"](#) .
 - Fog lamp assembly (LH/RH) Refer to [LT-193, "FRONT FOG LAMP"](#) .
10. Remove bumper side bracket mounting clips, and remove bumper side bracket (LH/RH).



11. Remove bumper energy absorber.
12. Remove bumper reinforcement mounting nuts, and remove bumper reinforcement with power tool.

INSTALLATION

Install in the reverse order of removal.

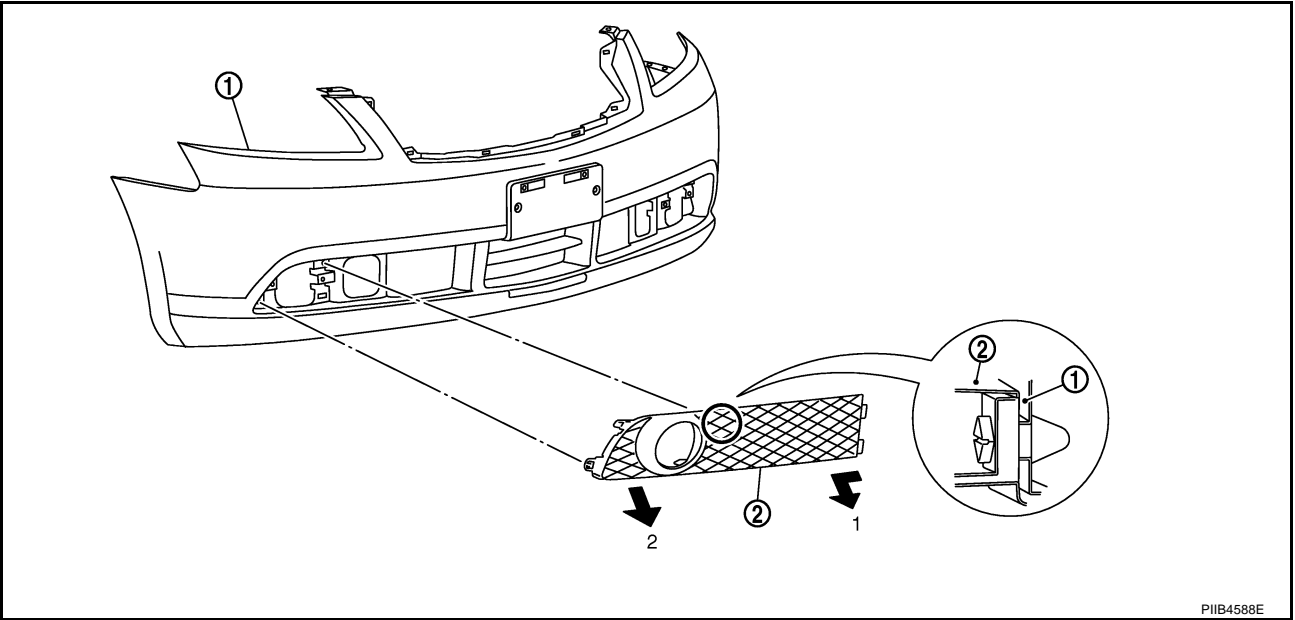
NOTE:

After installing, perform fitting adjustment.

FRONT BUMPER

Removal and Installation of Front Bumper Grille

NIS0024E



1. Bumper fascia assembly

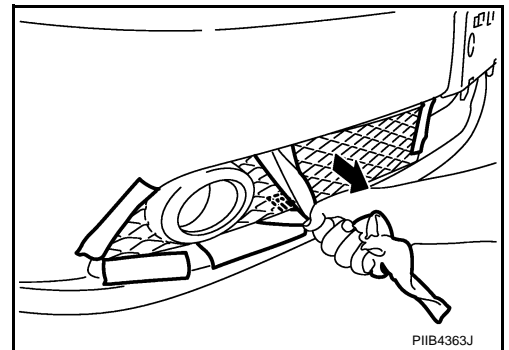
2. Front bumper grille

CAUTION:

Apply protection tape around outer circumference of front bumper grille (bumper fascia side).

REMOVAL

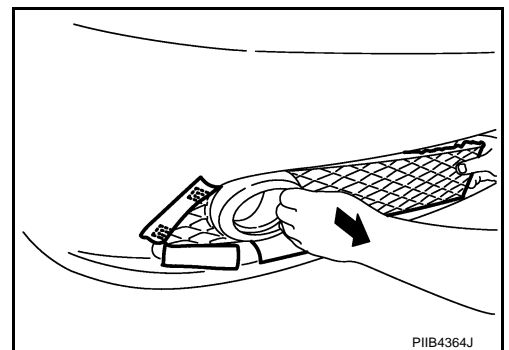
1. Disengage plastic pawls from vehicle inside using a plastic spatula.
2. While pulling the grille frontward, unlock the turn fastener around right end of the grille using a screwdriver.
3. Insert a shop cloth to inside of front bumper grille as shown in the figure, and then disengage lower plastic pawls by pulling front bumper grille toward vehicle front.



4. Hold fog lamp opening of front bumper grille by hand as shown in the figure, and then pull front bumper grille out toward vehicle front by disengaging plastic pawls of both ends.

NOTE:

Plastic clips of both ends are engaged strongly. Strong power is necessary to disengage them.



INSTALLATION

Install in reverse order of removal.

REAR BUMPER

REAR BUMPER

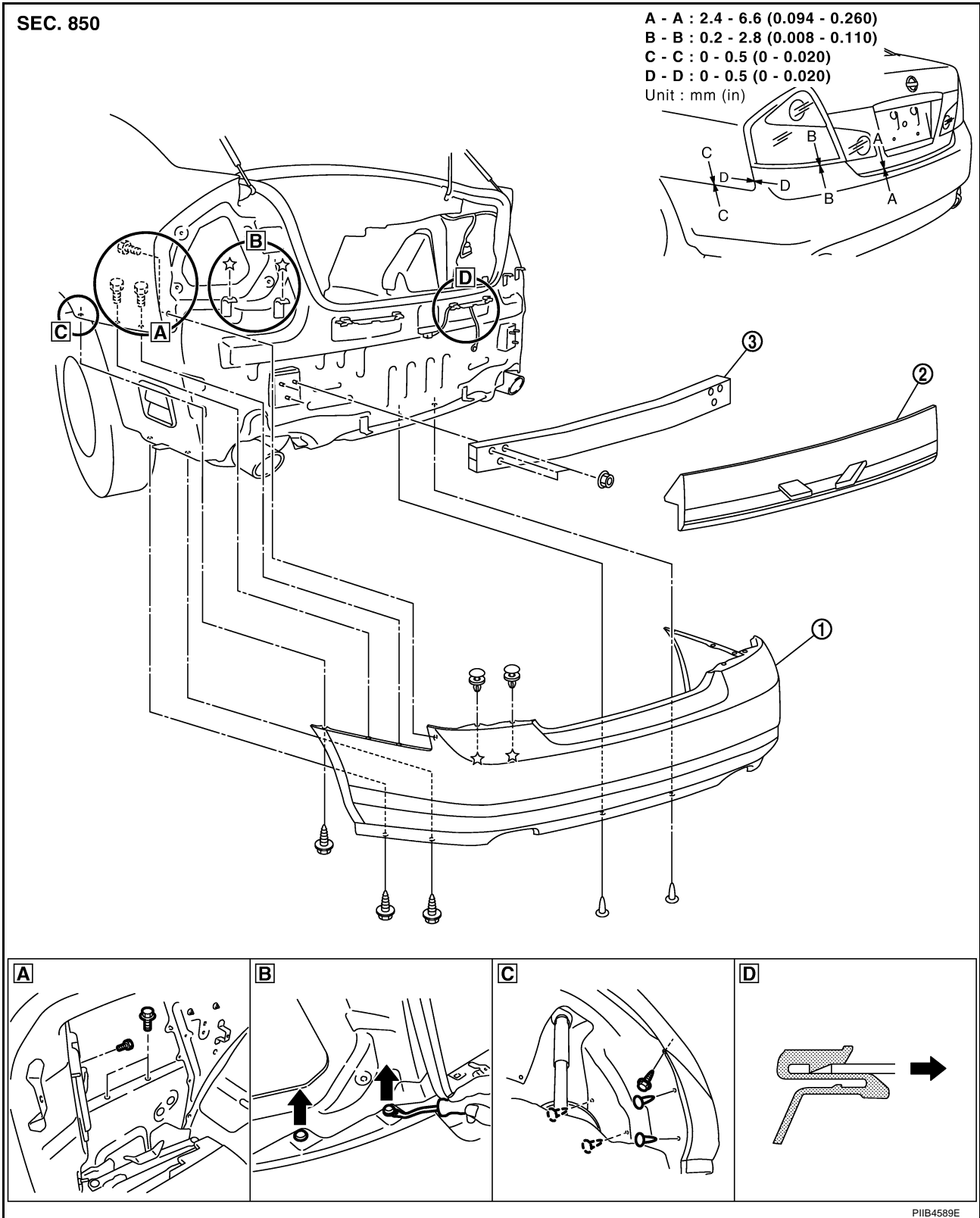
PFPH5022

Removal and Installation

NIS0024F

CAUTION:

Bumper fascia is made of resin. Do not apply strong force to it, and be careful to prevent contact with oil.



REAR BUMPER

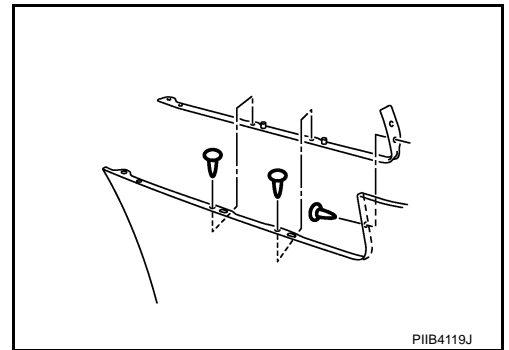
REMOVAL

1. Fully open trunk lid assembly.
2. Remove trunk floor carpet, trunk side box assembly, trunk rear plate, and trunk side finisher. Refer to [EI-56, "TRUNK ROOM TRIM & TRUNK LID FINISHER"](#).
3. Remove rear combination lamp (LH/RH). Refer to [LT-266, "Removal and Installation"](#).
4. Remove clips of rear combination lamp lower. (Figure to illustration B)
5. Remove clips of bumper fascia lower side.
6. Remove screws of bumper fascia left/right side. (Figure to illustration C)
7. Remove bumper fascia left/right bolt from trunk room inside. (Figure to illustration A)
8. Remove clip and bumper clamp from bumper fascia upper side, and then pull out bumper fascia toward rear of vehicle. (Figure to illustration D)
9. Remove bumper fascia assembly.

CAUTION:

When removing bumper fascia, 2 workers are required so as to prevent it from dropping.

10. Remove bumper stay mounting clips, and remove bumper stay (LH/RH).



11. Remove bumper energy absorber.
12. Remove bumper reinforcement mounting nuts and bumper reinforcement with power tool.

INSTALLATION

Install in the reverse order of removal.

NOTE:

After installing, perform fitting adjustment.

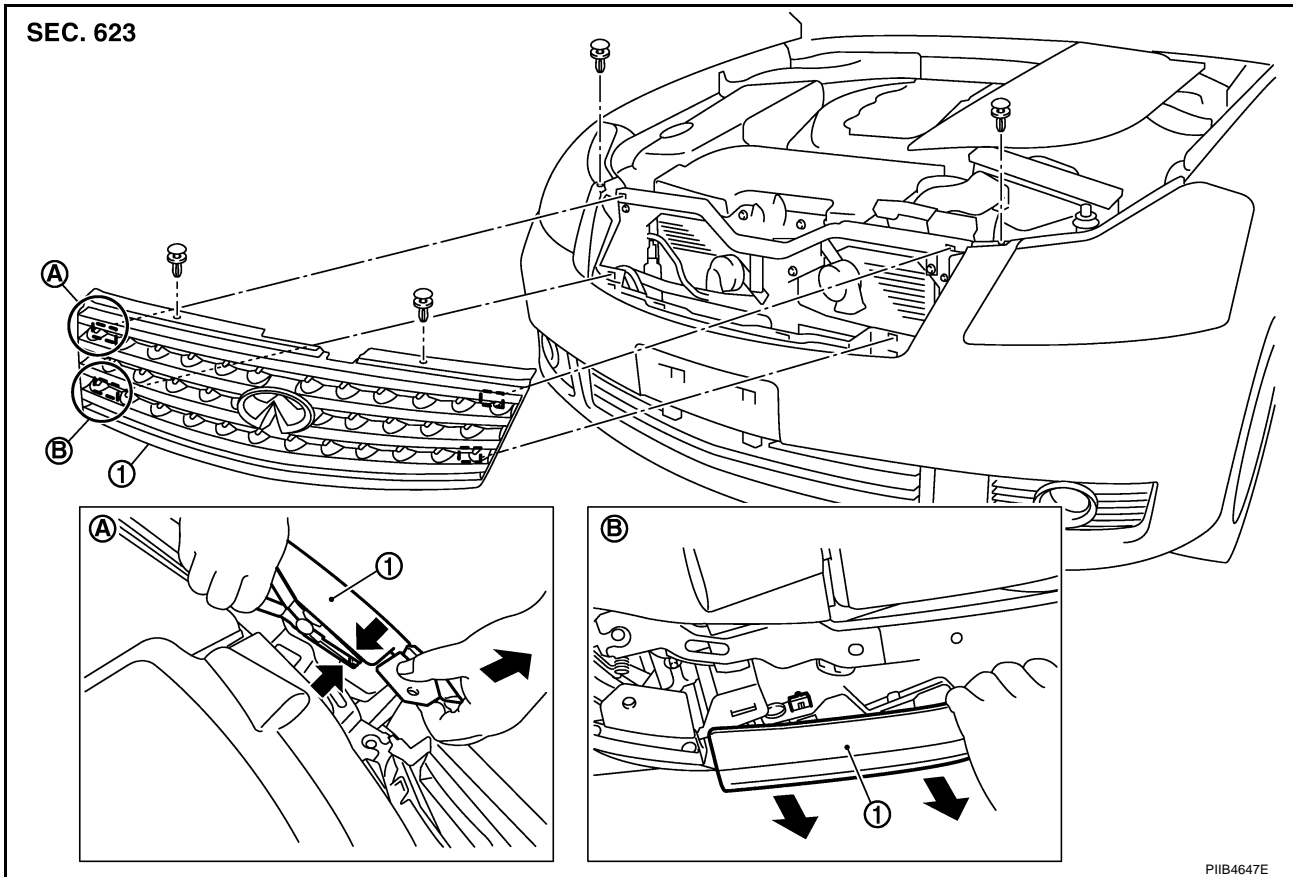
FRONT GRILLE

FRONT GRILLE

PFP:62310

Removal and Installation

NIS0024G



1. Front grille

CAUTION:

Apply protection tape around outer circumference of front grille (bumper fascia side).

REMOVAL

1. Fully open hood assembly.
2. Remove plastic clip from upper surface of the grille.
3. Remove plastic clip from front bumper upper side (convex part).
4. Pull front grille frontward. Disengage upper side plastic clip joint from back of front grille using pliers. (Figure to illustration A.)
5. Pull front grille out toward vehicle front. (Figure to illustration B.)

NOTE:

Plastic clips of front grille lower are engaged strongly. Strong power is necessary to disengage them. (When it is not easy to disengage them, disengage the joint of lower side clip using a screwdriver while pulling the front grille frontward.)

INSTALLATION

Install in the reverse order of removal.

HOOD

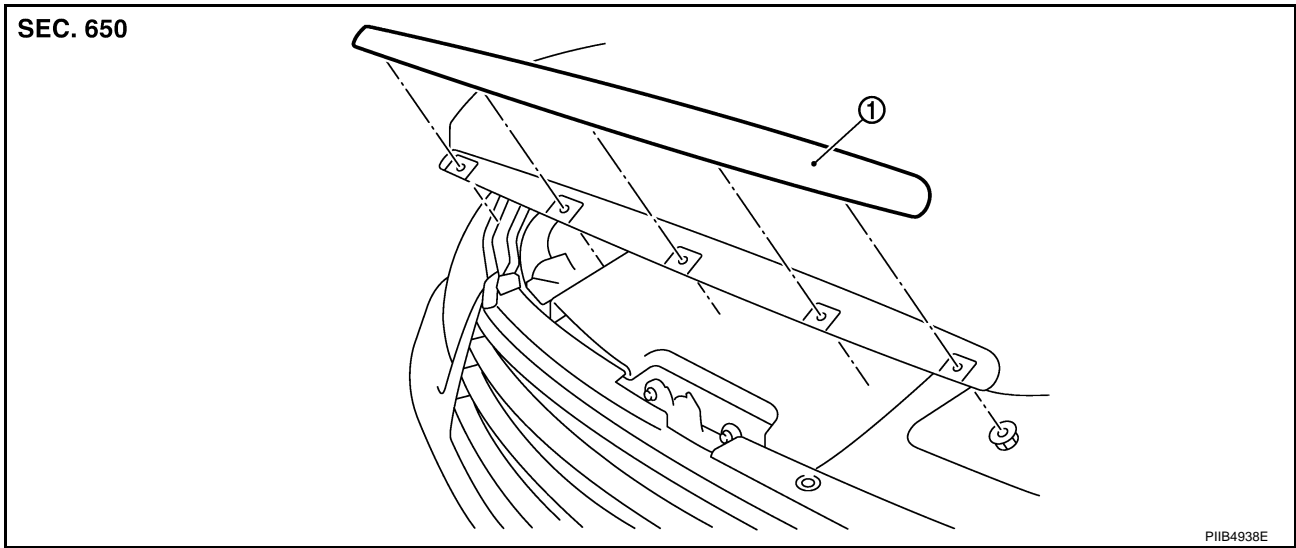
HOOD

PFP:F5100

Removal and Installation

NIS0024H

A
B
C
D
E
F
G
H
EI
J
K
L
M



1. Hood top molding

HOOD TOP MOLDING

Removal

1. Open hood fully.
2. Remove nuts of hood top molding.
3. Remove hood top molding assembly.

Installation

Install in the reverse order of removal.

CAUTION:

Note that hood might be distorted when nuts is tightened too much.

 : 1.4 - 2.1 N·m (0.15 - 0.21 Kg-m, 13 - 18 in-lb)

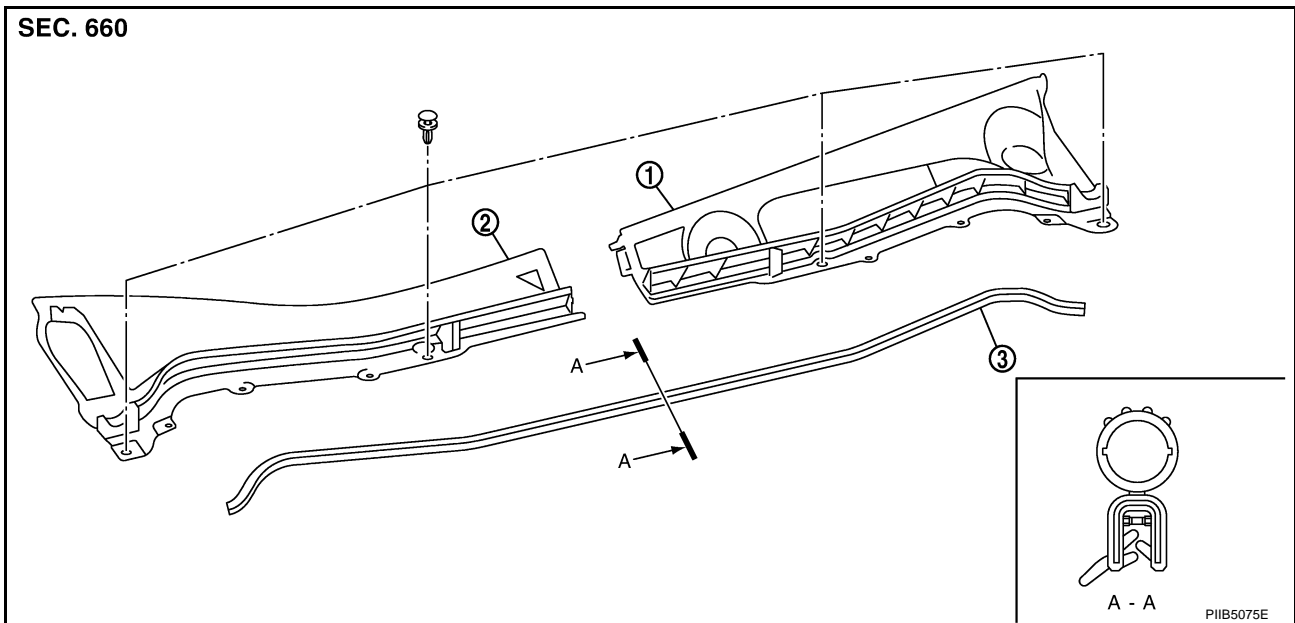
COWL TOP

COWL TOP

PF6:66100

Removal and Installation

NIS0024I



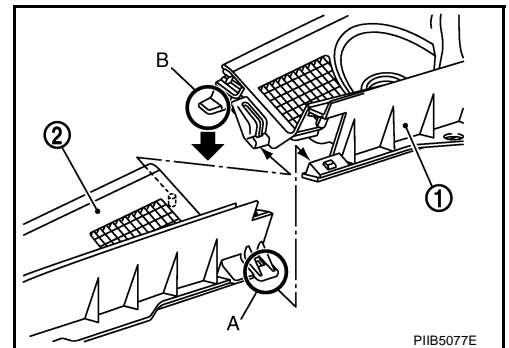
1. Cowl top cover (LH)

2. Cowl top cover (RH)

3. Cowl top seal rubber

REMOVAL

1. Remove front wiper arm (LH/RH) from vehicle. Refer to [WW-42, "Removal and Installation of Front Wiper Arms, Adjustment of Wiper Arms Stop Location"](#).
2. Remove engine room cover (LH/RH), battery cover and brake master cylinder cover. Refer to [EM-14, "ENGINE ROOM COVER"](#) (VQ35 engine model), [EM-173, "ENGINE ROOM COVER"](#) (VK45 engine model).
3. Remove cowl top seal rubber.
4. Remove clips of cowl top cover (LH/RH).
5. Plastic pawl A is removed and cowl top cover RH (2) ahead of vehicles.



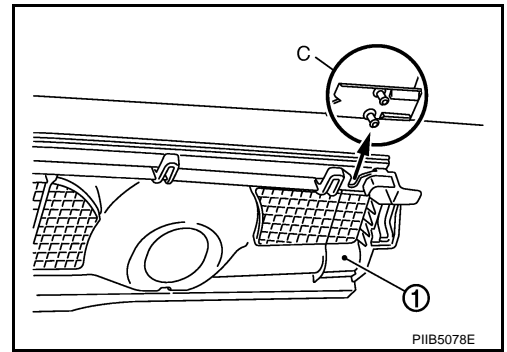
6. Lever B is pushed and cowl top cover LH (1) is removed ahead of vehicles.

INSTALLATION

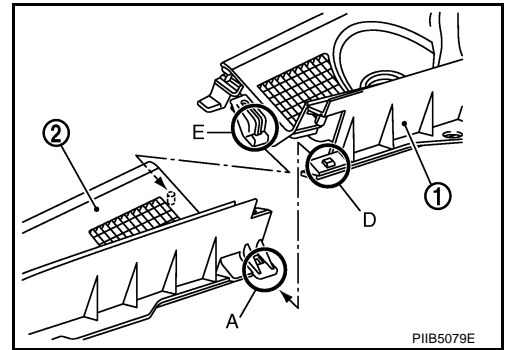
Note the following, and install in the reverse order of removal.

COWL TOP

- Install cowl top cover LH (1) with C (pin from front windshield glass) aligned with concave part.



- Slide the pin while aligning with the concave part of E. Engage the joint of plastic pawls of A with D. And then assemble cowl top covers LH (1) and RH (2).



CAUTION:

After installing, perform adjustment of wiper arm. Refer to [WW-42, "Removal and Installation of Front Wiper Arms, Adjustment of Wiper Arms Stop Location"](#) .

A
B
C
D
E
F
G
H

EI

J

K

L

M

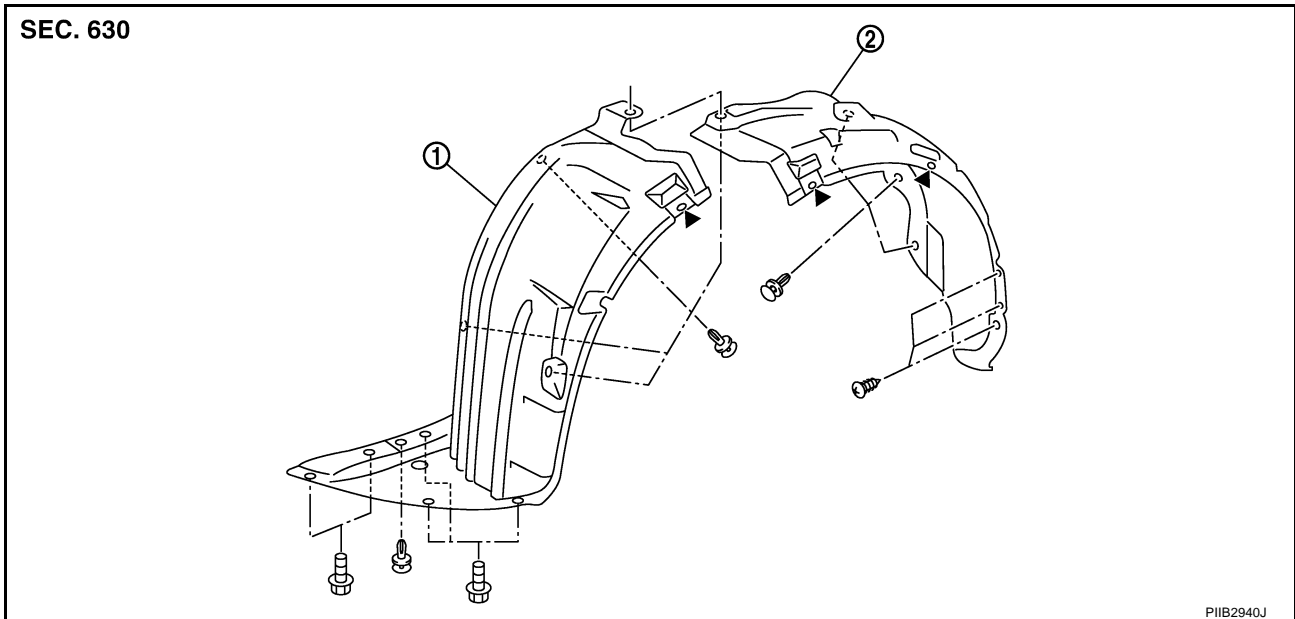
FENDER PROTECTOR

FENDER PROTECTOR

PFP:63840

Removal and Installation

NIS0024J



1. Fender protector (front)

2. Fender protector (rear)

REMOVAL

1. Remove rear end screw of fender protector (rear).
2. Remove clips of fender protector (rear).
3. Remove plastic clamp from wheelhouse arches, and then remove fender protector (rear) from wheel house.
4. Remove screws of front under cover.
5. Remove front end screw of fender protector (front).
6. Remove front end clip of fender protector (front).
7. Remove fender protector (front) from wheel house.

INSTALLATION

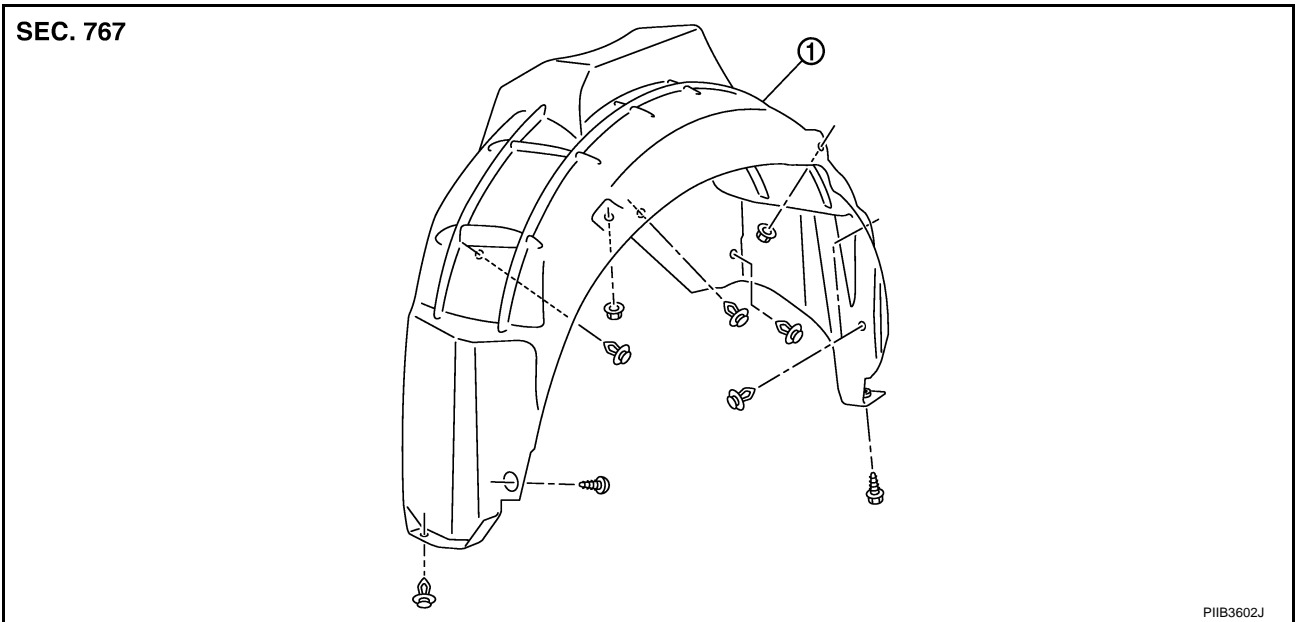
Install in the reverse order of removal.

FENDER PROTECTOR

Rear Wheel House Protector REMOVAL AND INSTALLATION

NIS0024K

A
B
C
D
E
F
G
H
EI
J
K
L
M



1. Rear wheel house protector

REMOVAL

1. Remove screw of rear portion wheel house protector. (rear bumper side)
2. Remove screw of front portion wheel house protector. (center mud guard side)
3. Remove clips of wheel house protector.
4. Remove resin nuts of arch portion wheel house protector and remove rear wheel house protector.

INSTALLATION

Install in reverse order of removal.

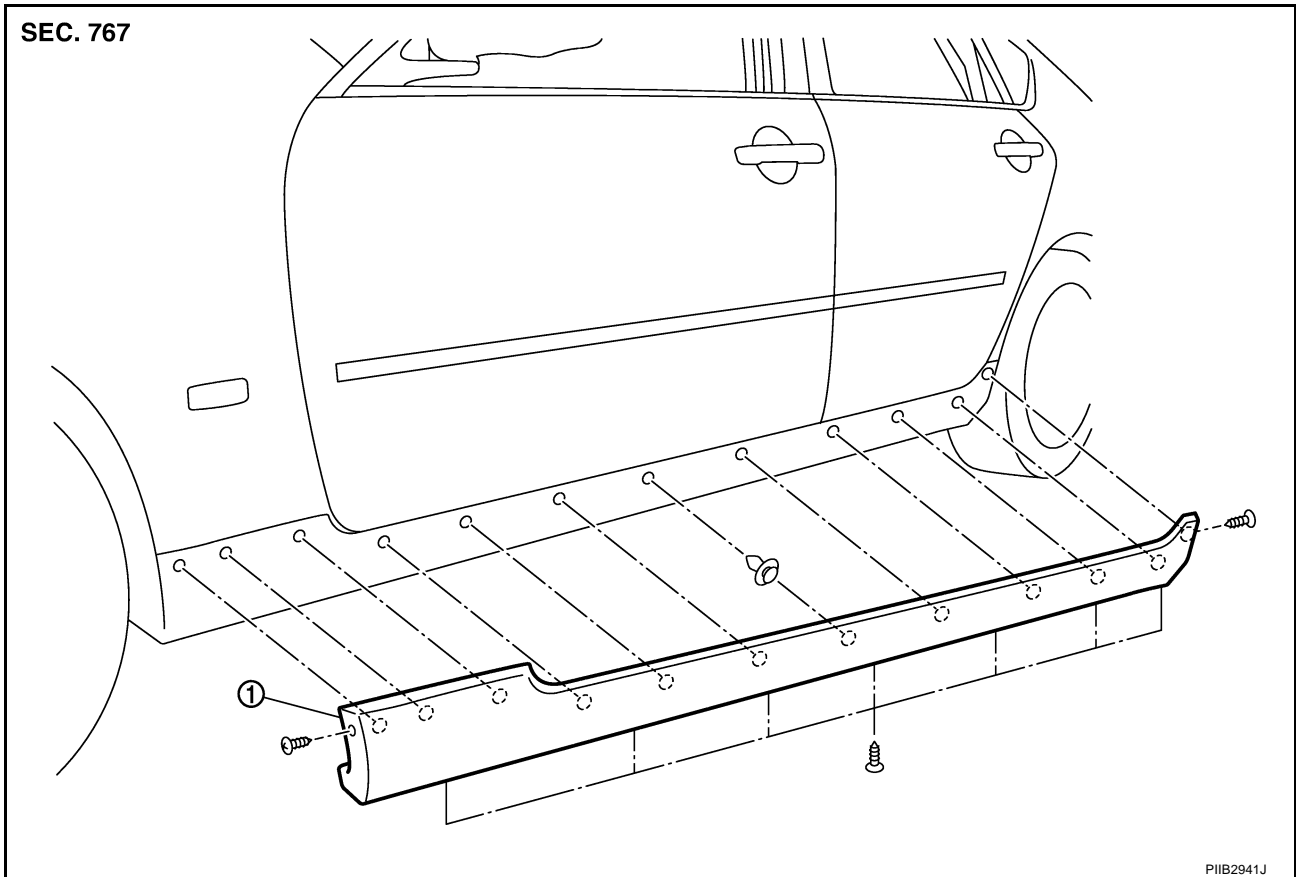
CENTER MUD GUARD

CENTER MUD GUARD

PFP:76850

Removal and Installation

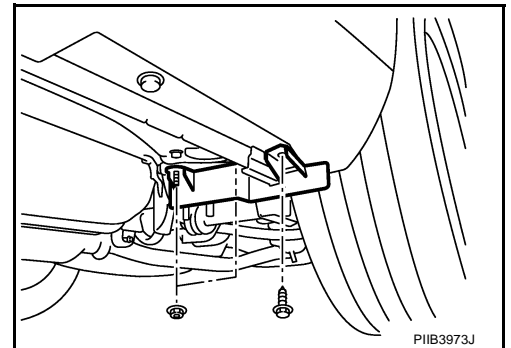
NIS0024L



1. Center mud guard

REMOVAL

1. Remove screw and nuts of wind deflector and remove wind deflector.



2. Remove screws of mudguard front/rear side.
3. Remove screws of mudguard lower side.
4. Fully open front door and rear door.
5. Remove clips from back of mudguard using clip clamp remover.
6. Remove center mudguard from body side.

INSTALLATION

Install in the reverse order of removal.

CAUTION:

When installing center mud guard, make sure that clips are securely fitted in panel holes on body, and then press them in.

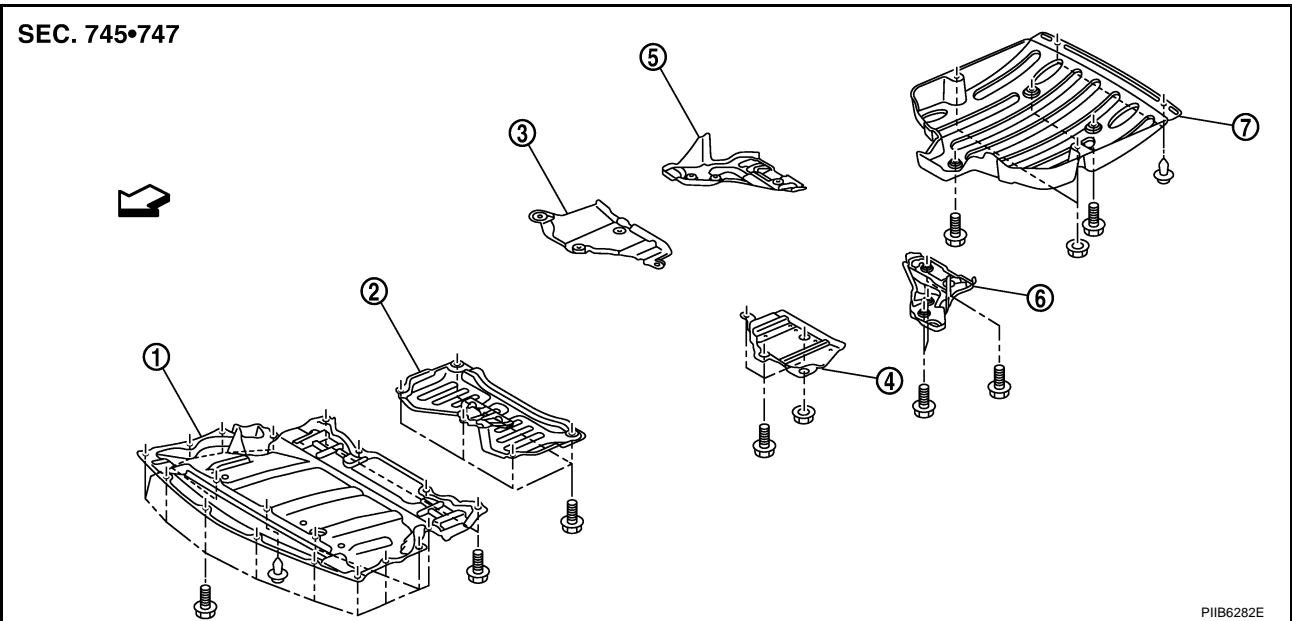
FLOOR SIDE FAIRING

FLOOR SIDE FAIRING

PF7:74586

Removal and Installation of Under Cover (for V6 Engine Models)

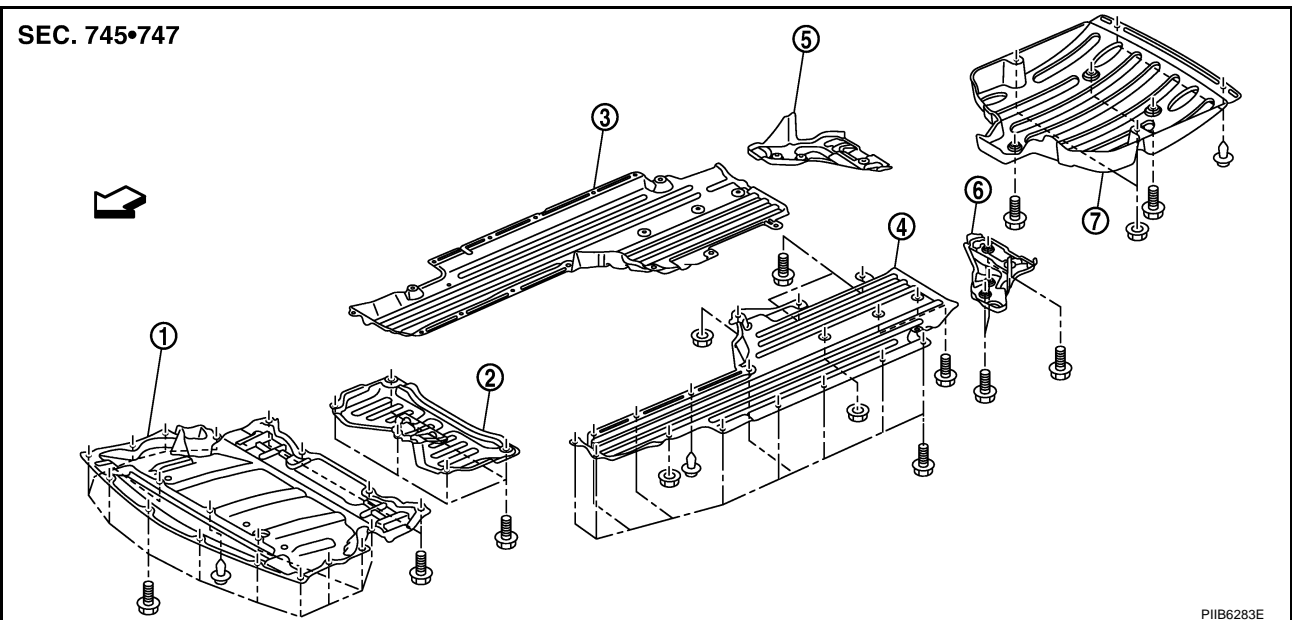
NIS0024M



- | | | |
|---------------------------|-----------------------------|---------------------------|
| 1. Front under cover | 2. Front under cover (rear) | 3. Floor under cover (RH) |
| 4. Floor under cover (LH) | 5. Rear under cover (RH) | 6. Rear under cover (LH) |
| 7. Rear diffuser | | |

Removal and Installation of Under Cover (for V8 Engine Models)

NIS0024N



- | | | |
|---------------------------|-----------------------------|---------------------------|
| 1. Front under cover | 2. Front under cover (rear) | 3. Floor under cover (RH) |
| 4. Floor under cover (LH) | 5. Rear under cover (RH) | 6. Rear under cover (LH) |
| 7. Rear diffuser | | |

FRONT UNDER COVER

Removal

1. Remove front under cover mounting bolts and clip.
2. Remove front under cover.

Installation

Install in the reverse order of removal.

A
B
C
D
E
F
G
H

EI

J
K
L
M

FLOOR SIDE FAIRING

FRONT UNDER COVER (REAR)

Removal

1. Remove front under cover (rear) mounting bolts.
2. Remove front under cover (rear).

Installation

Install in the reverse order of removal.

FLOOR UNDER COVER

Removal

1. Remove floor under cover mounting bolts, nuts and clips.
2. Remove floor under cover.

Installation

Install in the reverse order of removal.

REAR UNDER COVER

Removal

1. Remove rear under cover mounting bolts.
2. Remove rear under cover.

Installation

Install in the reverse order of removal.

REAR DIFFUSER

Removal

1. Remove rear diffuser mounting bolts, nuts and clips.
2. Remove rear diffuser.

Installation

Install in the reverse order of removal.

ROOF SIDE MOLDING

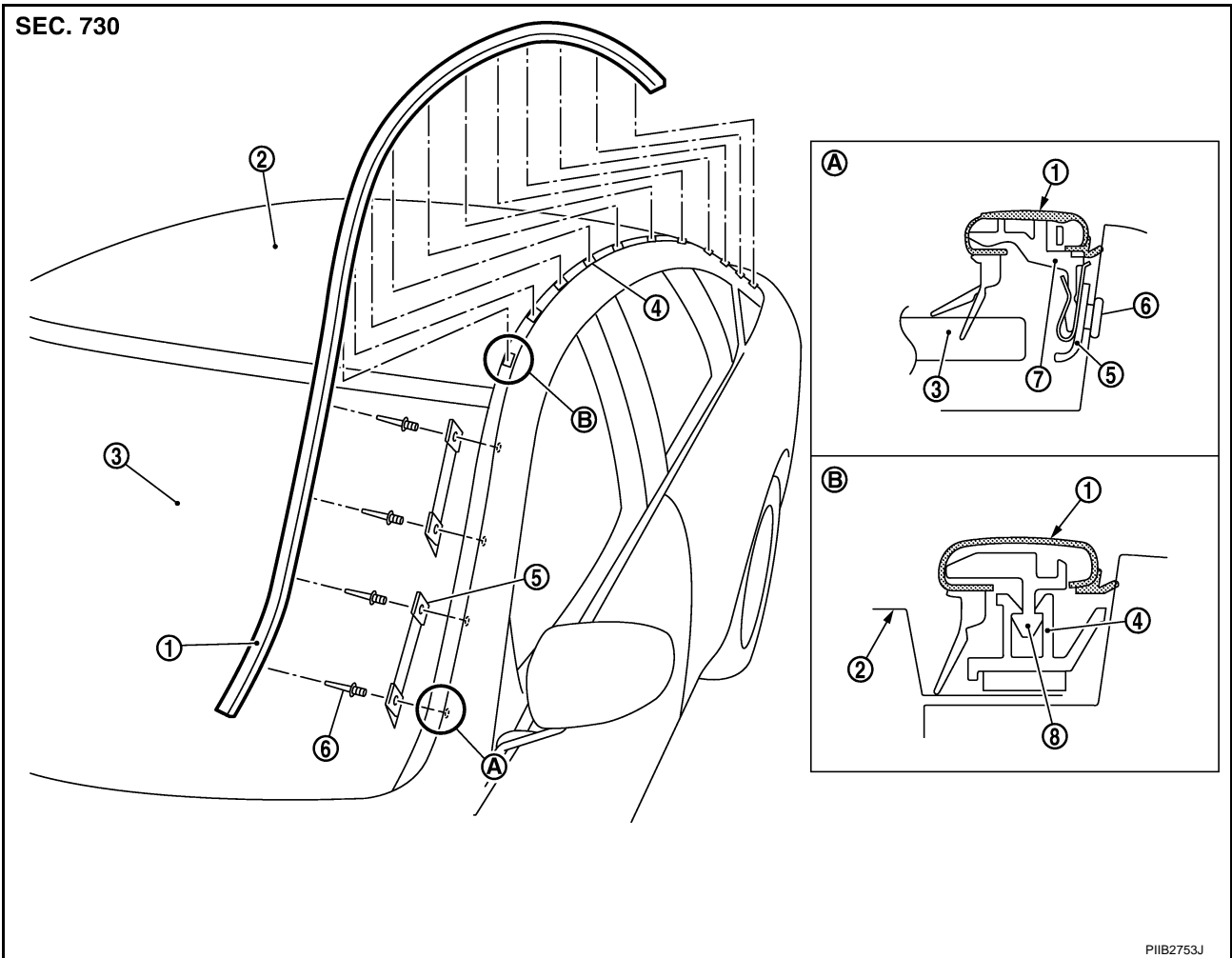
ROOF SIDE MOLDING

PFP:73854

Removal and Installation

NIS00240

SEC. 730



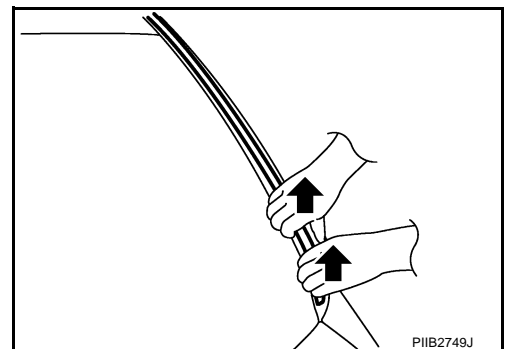
- | | | |
|------------------------|-------------------------|---------------------|
| 1. Roof side molding | 2. Roof outer panel | 3. Windshield glass |
| 4. Clip (body side) | 5. Molding fastener | 6. Rivet |
| 7. Clip (molding side) | 8. Body side outer clip | |

REMOVAL

1. Apply protective tape around roof side molding.
2. Disengage clips while pinching molding from rear end of rear window to front end of front window, and then remove roof side molding.

CAUTION:

Front and rear ends of roof side molding are placed under the body side. Pull them out after disengaging plastic clip joints.



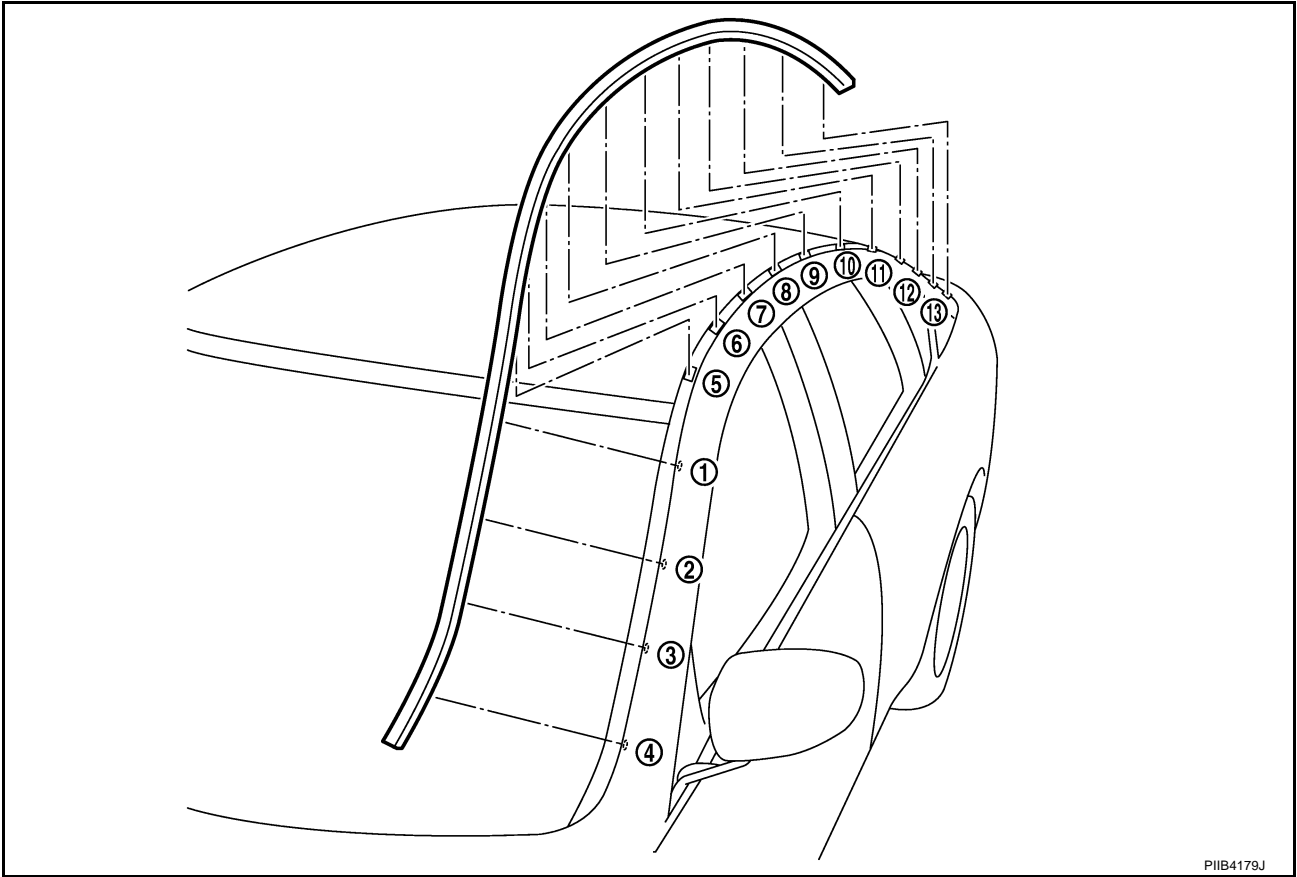
NOTE:

- Molding fasteners of front windshield glass and rear window glass are secured with rivet. Remove and install front windshield glass and rear window glass when replacing the molding fasteners.
- Heat adhesive tape interface using a dryer, and then peel roof side molding clips (body side) using long-nose pliers.

A
B
C
D
E
F
G
H
EI
J
K
L
M

ROOF SIDE MOLDING

INSTALLATION



PIIB4179J

1. Place roof side molding on roof groove, and then insert the end into front fender.
2. Align roof side molding clips (molding side) (2),(3), and (4) of front pillar with fastener position, and then insert roof side molding clip (molding side) (1).
3. Insert roof side molding clips (molding side) of front pillar in order of (2) to (4) into molding fastener.
4. Insert body side outer clips of roof in the order of (5) to (9).
5. Insert rear end of roof side molding into trunk lid.
6. Temporarily set roof side molding clips (molding side) of rear pillar on fasteners and insert them in the order of (10) to (13).

CAUTION:

Be careful not to damage the body.

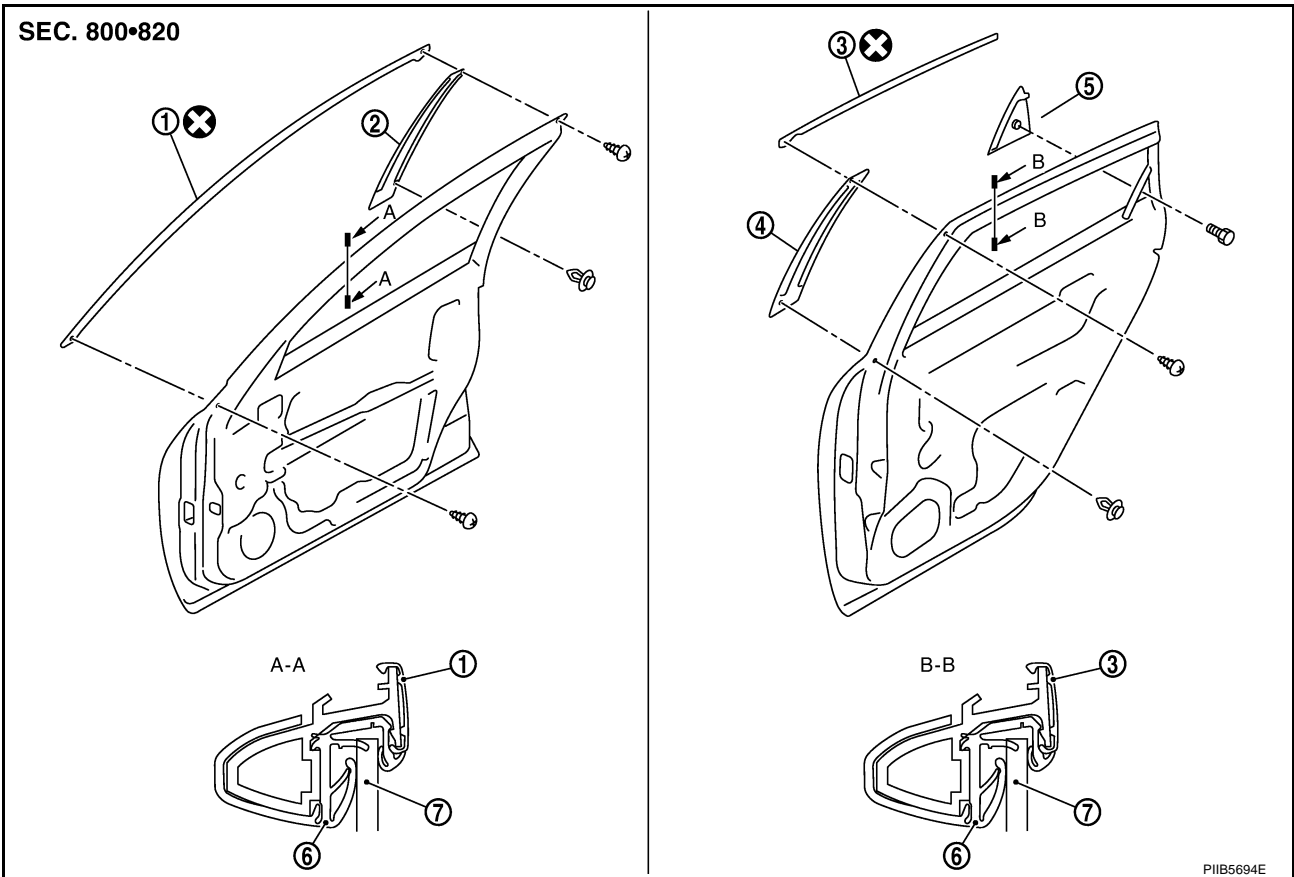
DOOR SASH MOLDING

PFP:80282

NIS0024P

DOOR SASH MOLDING

Removal and Installation



- | | | |
|-------------------------------|--------------------------------|---------------------------|
| 1. Front door sash molding | 2. Front door sash outer cover | 3. Rear door sash molding |
| 4. Rear door sash outer cover | 5. Rear door corner cover | 6. Door glass run |
| 7. Door glass | | |

FRONT DOOR SASH MOLDING

Removal

1. Remove front door weather-strip. Refer to [BL-194, "Door Weatherstrip"](#).
2. Release roof portion of glass run.
3. Remove screw of front door sash molding.
4. Remove door sash molding connection between door panel and molding from glass run side and remove molding.

Installation

Install in the reverse order of removal.

REAR DOOR SASH MOLDING

Removal

1. Remove rear door weather-strip. Refer to [BL-194, "Door Weatherstrip"](#).
2. Release roof portion of glass run.
3. Remove screw of rear door sash molding.
4. Remove door sash molding connection between door panel and molding from glass run side and remove molding (front).

Installation

Install in the reverse order of removal.

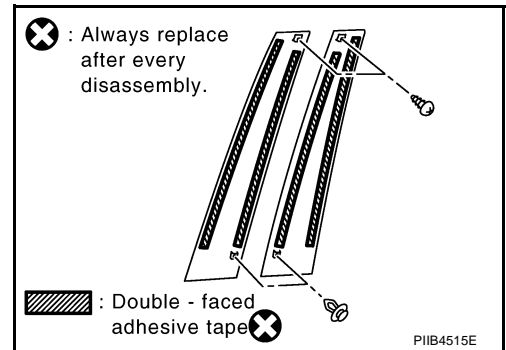
A
B
C
D
E
F
G
H
EI
J
K
L
M

DOOR SASH MOLDING

DOOR SASH OUTER COVER

Removal

1. Remove front door weather-strip, rear door weather-strip. Refer to
2. Remove double-faced adhesive tape with (wide) plastic spatula and remove door sash outer cover.



Installation

Install in the reverse order of removal.

NOTE:

If door sash outer cover is reused, remove double-faced adhesive tape from molding and body sides, clean the applied area, and then install the parts shown in the figure into the body after applying new double-sided tape to it.

CAUTION:

- Do not let air between contact surfaces when installing.
- To secure contact, do not wash vehicle within 24 hours after installation.

REAR DOOR CORNER COVER

Removal

1. Remove rear door finisher. Refer to [EI-34, "DOOR FINISHER"](#) .
2. Remove rear door sash cover inner. Refer to [EI-36, "REAR DOOR SASH COVER INNER"](#) .
3. Remove bolts of rear door corner cover and remove rear door corner cover.

Installation

Install in the reverse order of removal.

DOOR OUTSIDE MOLDING

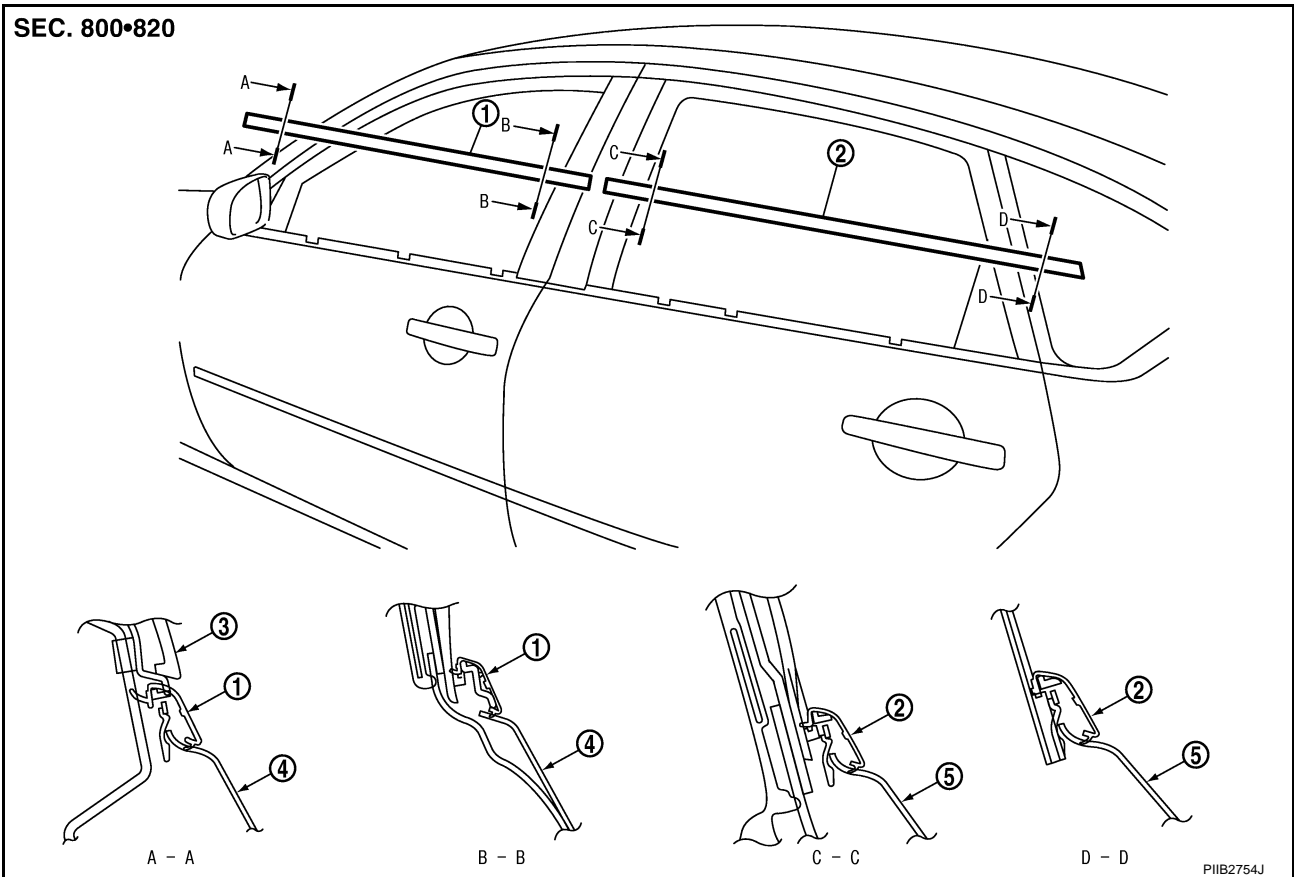
DOOR OUTSIDE MOLDING

PFP:82820

Removal and Installation

NIS0024Q

A
B
C
D
E
F
G
H
EI
J
K
L
M

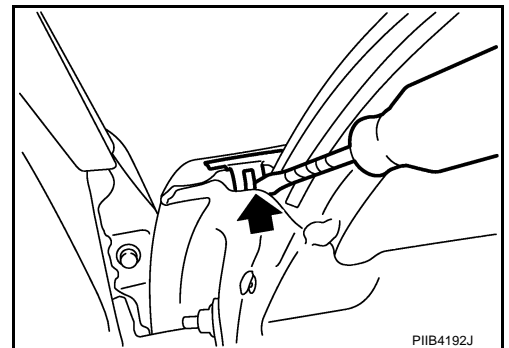


- 1. Door outside molding (front)
- 2. Door outside molding (rear)
- 3. Door mirror
- 4. Front door outer
- 5. Rear door outer

FRONT DOOR OUTSIDE MOLDING

Removal

1. Fully open door window.
2. Remove door trim. Refer to [EI-34, "DOOR FINISHER"](#).
3. Remove front door sash cover inner. Refer to [EI-36, "FRONT DOOR SASH COVER INNER"](#).
4. Disconnect harness connector for tweeter (only for models with tweeter). Refer to [AV-286, "Tweeter"](#).
5. Remove door mirror. Refer to [GW-120, "Removal and Installation"](#).
6. Disengage pawls by inserting a screwdriver to front and rear of pawl intergrated with cap.



7. Remove door outside molding while pulling up molding using plastic spatula after disengaging.

DOOR OUTSIDE MOLDING

CAUTION:

- Be careful not to apply excessive force when removing because it is easy to deform parts.
- After removal, visually inspect molding, and if it is deformed, replace it with new molding.

Installation

Install in the reverse order of removal.

NOTE:

Molding rear end is flush with door sash rear end when installing.

REAR DOOR OUTSIDE MOLDING

Removal

1. Fully open door window.
2. Remove door trim. Refer to [EI-34, "DOOR FINISHER"](#) .
3. Remove rear door sash cover inner. Refer to [EI-36, "REAR DOOR SASH COVER INNER"](#) .
4. Disengage pawls by inserting a screwdriver to front and rear of pawl integrated with cap.
5. Remove door outside molding while pulling up molding using plastic spatula after disengaging.

CAUTION:

- Be careful not to apply excessive force when removing because it is easy to deform parts.
- After removal, visually inspect molding, and if it is deformed, replace it with new molding.

Installation

Install in the reverse order of removal.

NOTE:

Molding rear end is flush with door sash rear end when installing.

SIDE GUARD MOLDING

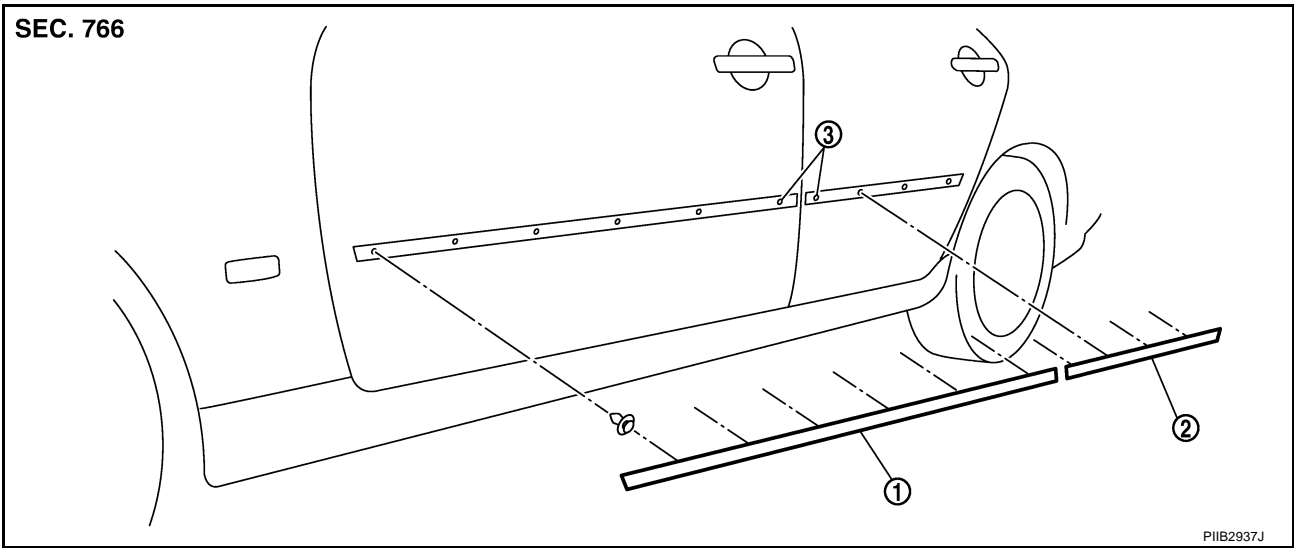
SIDE GUARD MOLDING

PFP:76840

Removal and Installation

NIS0024R

SEC. 766



1. Side guard molding (front)

2. Side guard molding (rear)

3. Specified holes

REMOVAL

1. Apply masking tape around outer circumference of side guard molding.
2. Remove double-faced adhesive tapes with (wide) resin spatula. Disengage clips and remove side guard molding (front / rear).

INSTALLATION

1. Remove double-faced adhesive tape remaining on vehicle.
2. Clean contact surface of vehicle (to side guard molding), and install side guard molding to specified holes.

NOTE:

To re-use side guard molding, follow above steps 1 and 2 as well; clean surface after removing double-faced adhesive tape, apply new double-faced adhesive tape and then install side guard molding to vehicle.

CAUTION:

- Do not let air between contact surfaces when installing.
- To secure contact, do not wash vehicle within 24 hours after installation.

DOOR PARTING SEAL

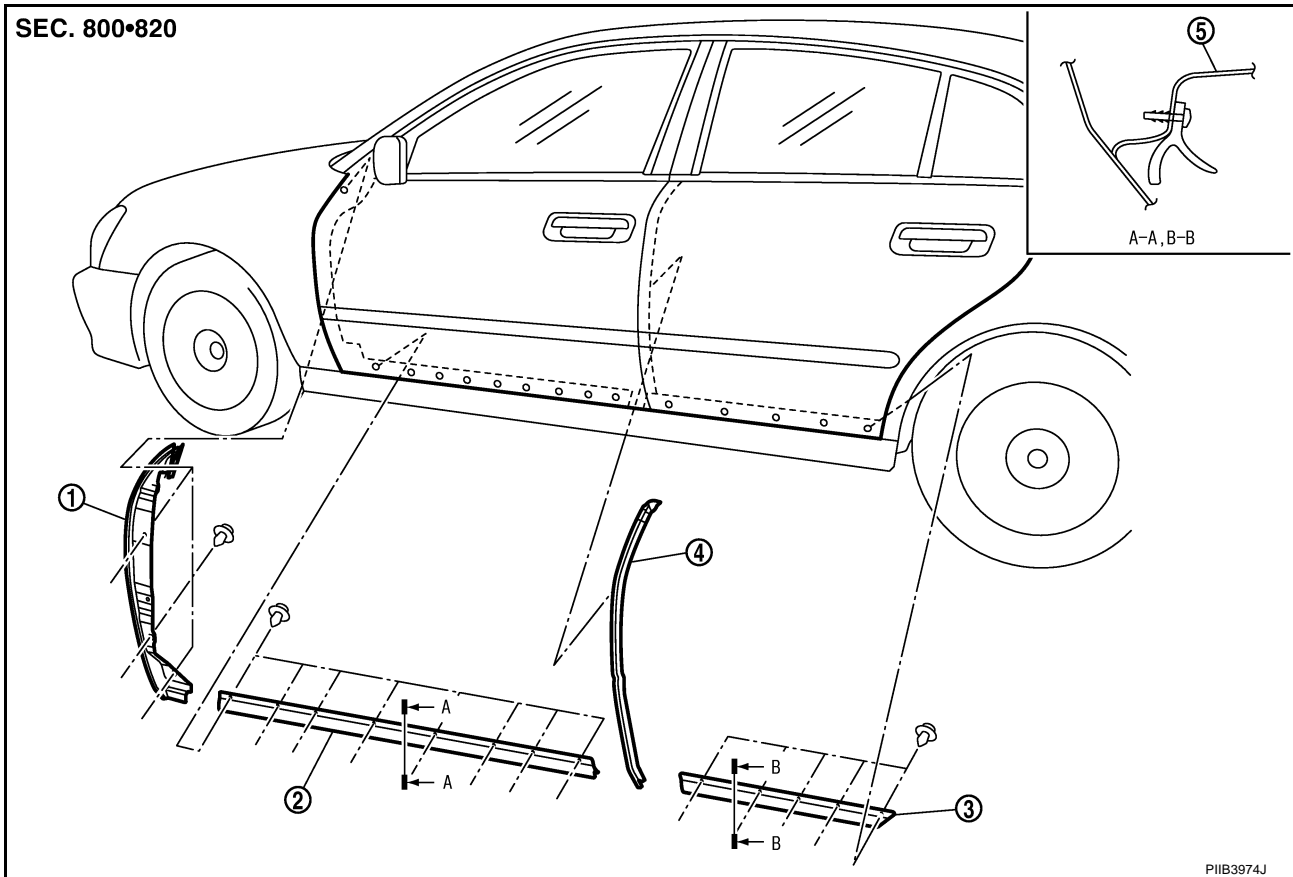
PFP:80838

NIS0024S

DOOR PARTING SEAL

Removal and Installation

SEC. 800•820



1. Front door parting seal (front side)
2. Front door parting seal (lower side)
3. Rear door parting seal (lower side)
4. Rear door parting seal (front side)
5. Door inner panel

FRONT DOOR PARTING SEAL

Removal

1. Fully open front door.
2. Remove front door parting seal (front side) mounting plastic clips.
3. Disengage the joint between front door parting seal (front side) and front door panel, and then remove front door parting seal (front side).
4. Disengage front door parting seal (lower side) mounting plastic clips, and then remove front door parting seal (lower side).

Installation

Install in the reverse order of removal.

REAR DOOR PARTING SEAL

Removal

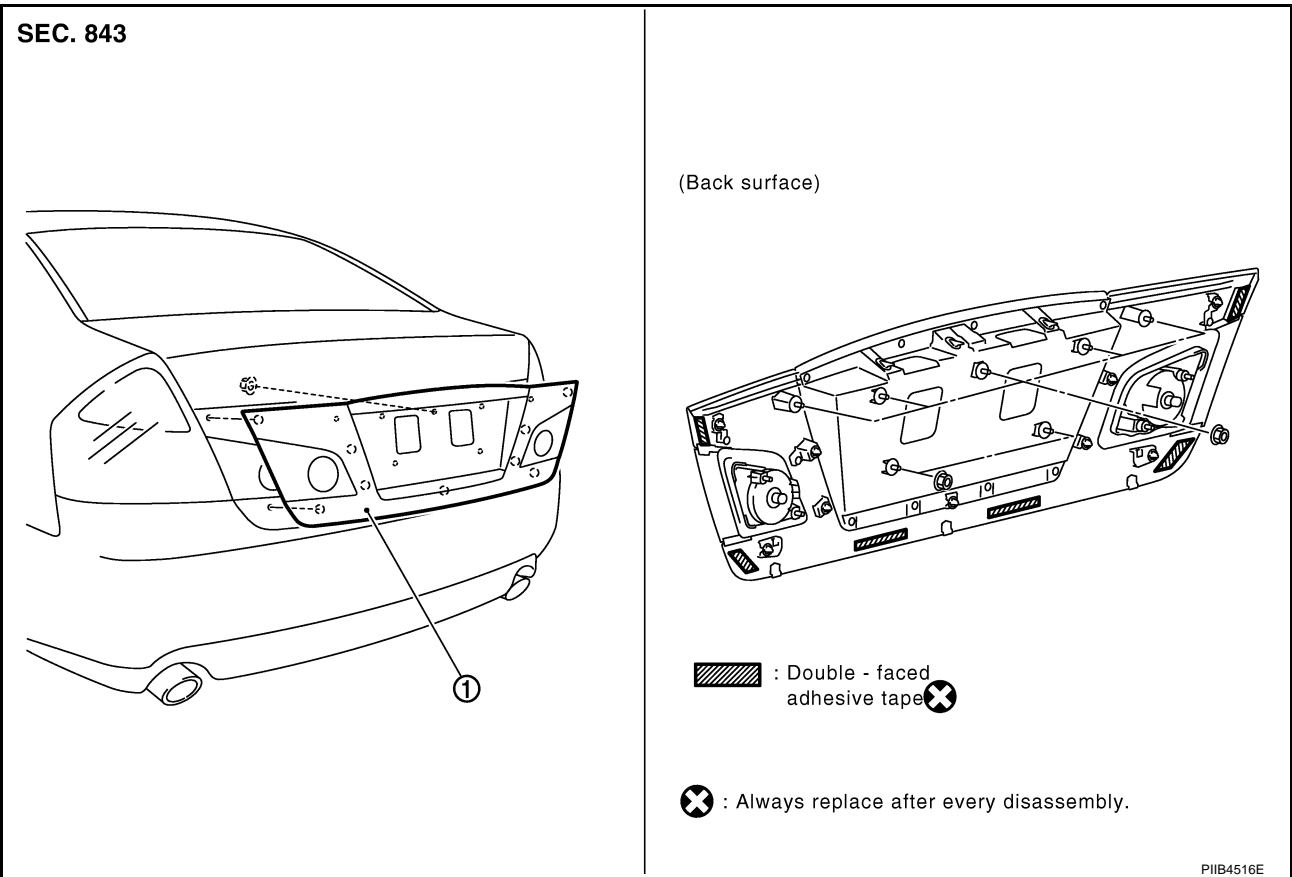
1. Fully open rear door.
2. Disengage the joint between rear door parting seal (front side) and rear door panel, and then remove rear door parting seal (front side).
3. Disengage rear door parting seal (lower side) mounting plastic clips, and then remove rear door parting seal (lower side).

Installation

Install in the reverse order of removal.

TRUNK LID FINISHER Removal and Installation

NIS0024T



1. Trunk lid finisher outer

REMOVAL

1. Fully open trunk lid.
2. Remove trunk lid finisher inner. Refer to [EI-57, "REMOVAL AND INSTALLATION OF TRUNK LID FINISHER INNER"](#).
3. Remove trunk lid finisher upper mounting nuts.
4. Disconnect back lamp, license lamp and trunk opener switch harness connector.
5. Remove double-faced adhesive tapes with (wide) plastic spatula. Disconnect clips and remove trunk lid finisher outer.

INSTALLATION

Install in the reverse order of removal.

CAUTION:

- Replace double-faced adhesive tape on back of finisher with a new tape if trunk lid finisher outer is reused.
- Remove double-faced adhesive tape remaining on body and back of finisher using double-faced adhesive tape remover when removing finisher outer.
- Install after cleaning adhesive parts of body side and back of finisher outer.
- Do not wash the vehicle within 24 hours after installing so as to keep adhesive.

DOOR FINISHER

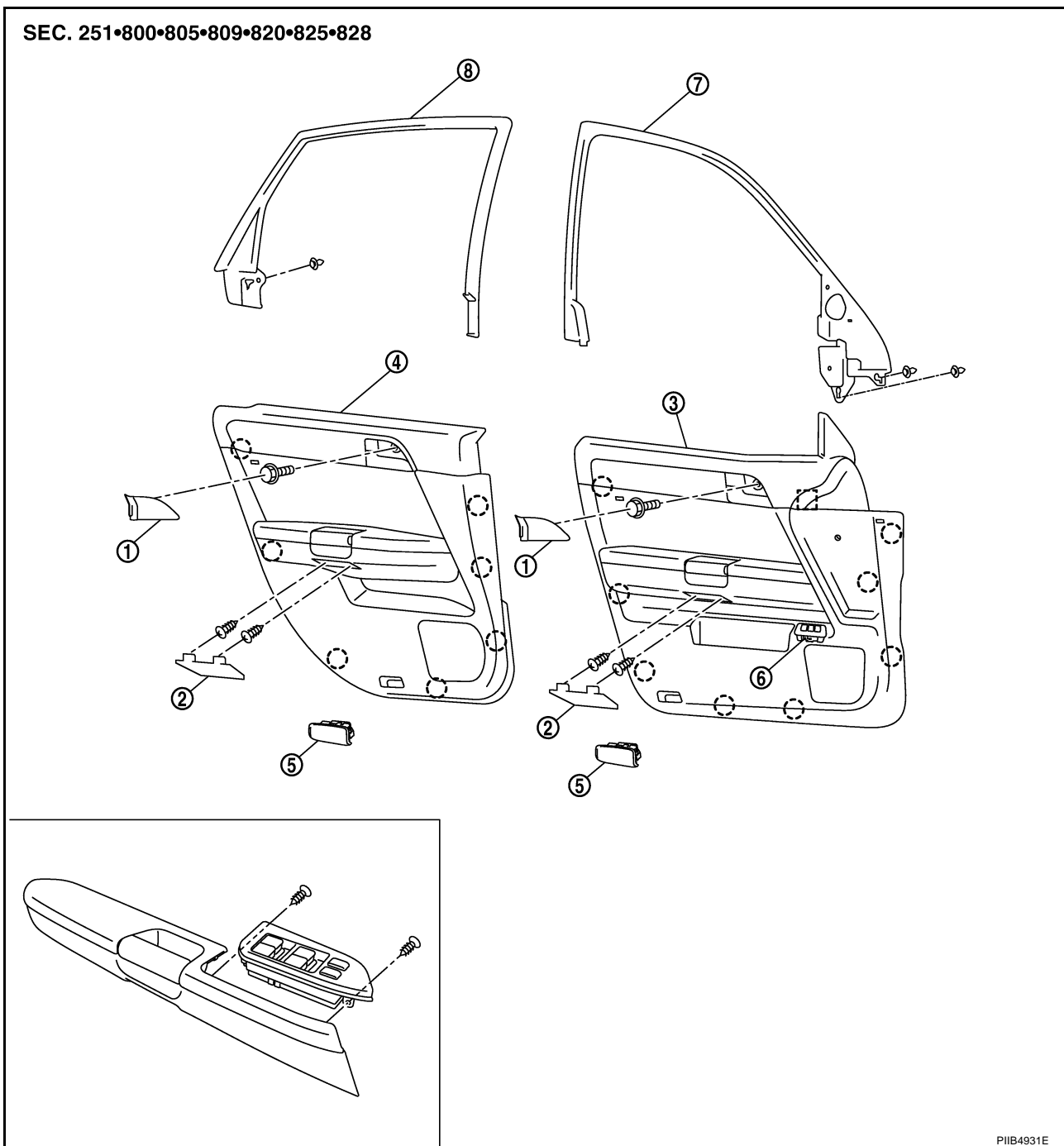
DOOR FINISHER

PFP:80900

Removal and Installation

NIS0024U

SEC. 251•800•805•809•820•825•828



PIIB4931E

- | | | |
|--------------------------------|-------------------------------|------------------------|
| 1. Inside handle escutcheon | 2. Armrest finisher | 3. Front door finisher |
| 4. Rear door finisher | 5. Step lamp | 6. Seat memory switch |
| 7. Front door sash cover inner | 8. Rear door sash cover inner | |
- Clip □ Metal clip

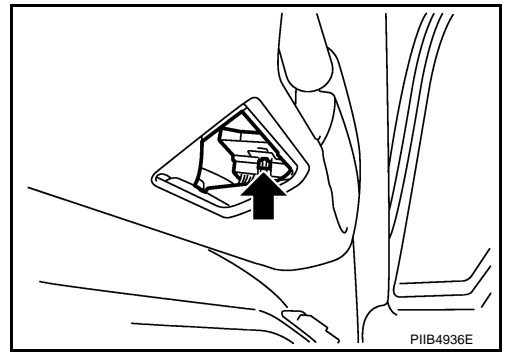
FRONT AND REAR DOOR FINISHER

Removal

1. Fully open door window.
2. Remove inside handle escutcheon and remove screw.
3. Remove arm rest finisher.
4. Remove screw of armrest finisher portion.

DOOR FINISHER

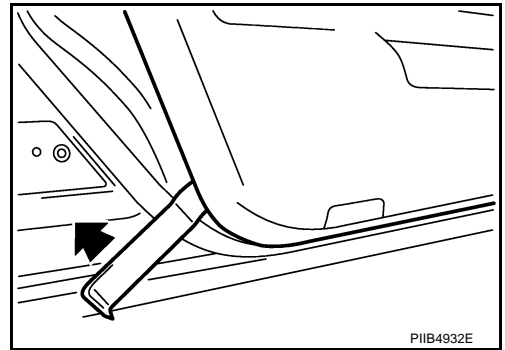
5. Insert a thin screwdriver from the armrest finisher opening and lift the lock of the power window switch harness connector.



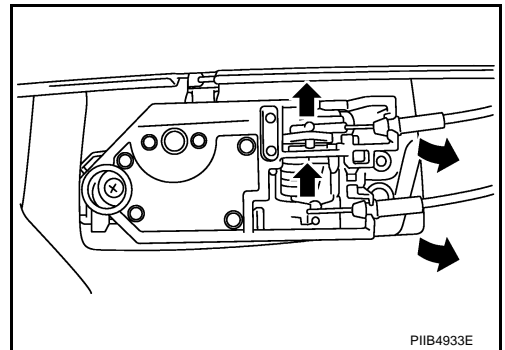
6. Insert a clip clamp remover into clips on back door finisher, and disengage clips.

CAUTION:

Insert a clip clamp remover into the part shown by the arrow (between the clips and the body side panel). Remove door finisher.



7. Disconnect harness connector for step lamp.
8. Pull up door finisher and pull out toward vehicle inside, and then disconnect inside handle cable and lock knob cable from back door finisher.



9. Disconnect harness connector for power window switch, seat memory switch.
10. Remove door finisher.
11. Remove the following parts after removing door finisher.
 - Inside handle assembly
 - Armrest
 - Seat memory switch
 - Power window switch
 - Step lamp

Installation

Install in the reverse order of removal.

CAUTION:

When installing door finisher, make sure that clips are securely fitted in panel holes on body, and then press them in.

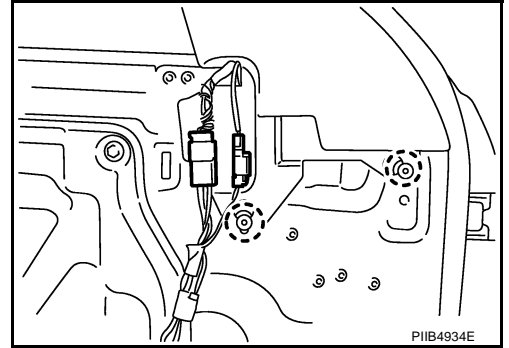
A
B
C
D
E
F
G
H
EI
J
K
L
M

DOOR FINISHER

FRONT DOOR SASH COVER INNER

Removal

1. Remove front door finisher.
2. Disconnect harness connector for door mirror and tweeter.
3. Remove clips of front door sash cover inner.



4. Remove front door sash cover inner.

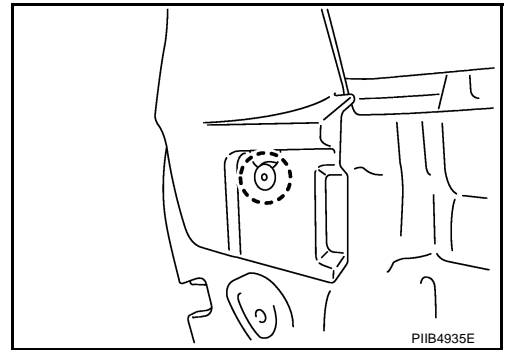
Installation

Install in the reverse order of removal.

REAR DOOR SASH COVER INNER

Removal

1. Remove rear door finisher.
2. Remove clip of rear door sash cover inner.



3. Remove rear door sash cover inner.

Installation

Install in the reverse order of removal.

BODY SIDE TRIM

BODY SIDE TRIM

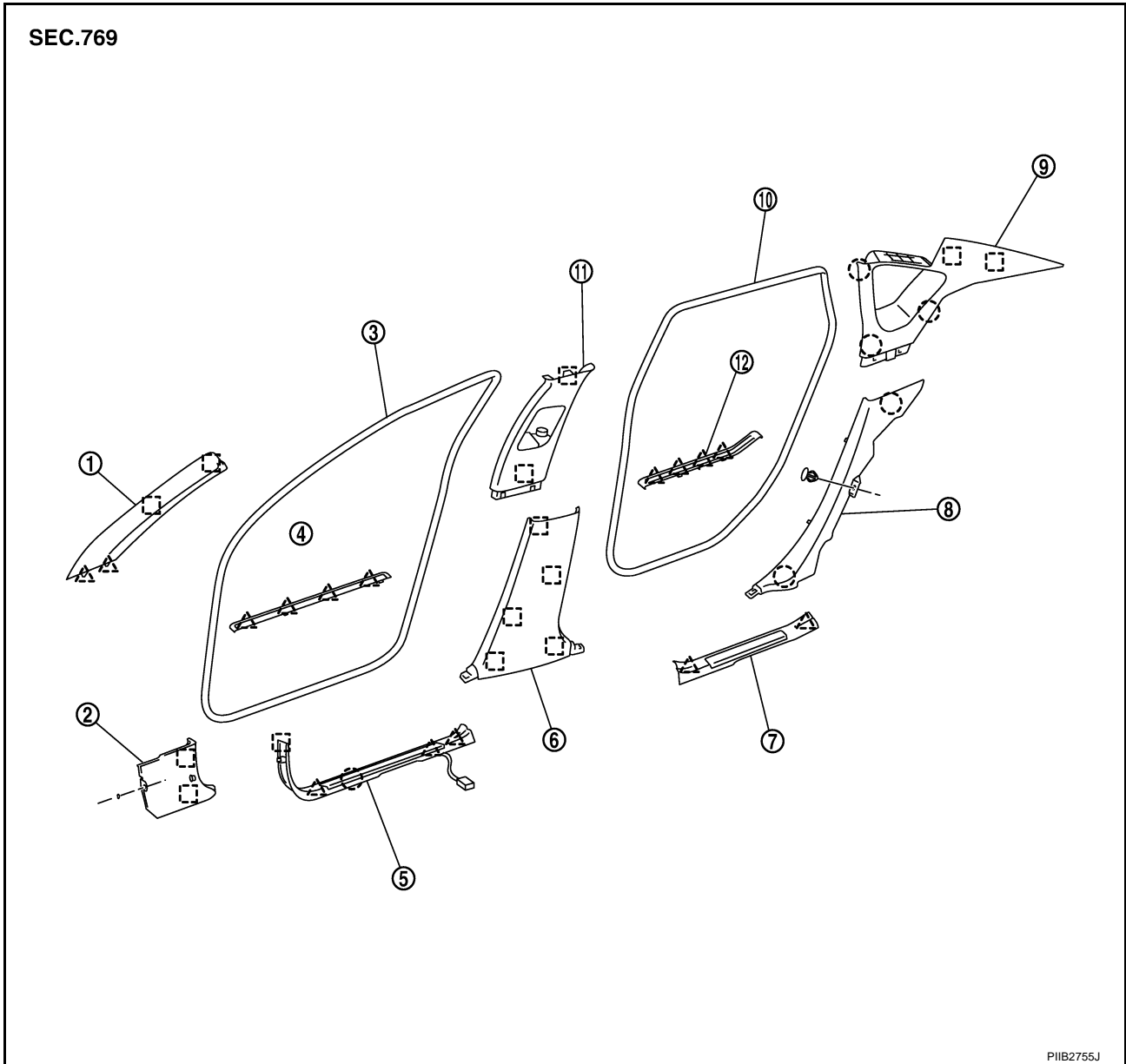
PFP:76913

Removal and Installation

NIS0024V

CAUTION:

Wrap the tip of flat-bladed screwdriver with a cloth when removing metal clips from garnishes.



- | | | |
|------------------------------|---------------------------------|--------------------------------|
| 1. Front pillar garnish | 2. Dash side finisher | 3. Front body side welt |
| 4. Front kicking plate outer | 5. Front kicking plate inner | 6. Center pillar lower garnish |
| 7. Rear kicking plate inner | 8. Rear wheel house garnish | 9. Rear pillar finisher |
| 10. Rear body side welt | 11. Center pillar upper garnish | 12. Rear kicking plate outer |
| ○ Clip | △ Pawl | □ Metal clip |

PIIB2755J

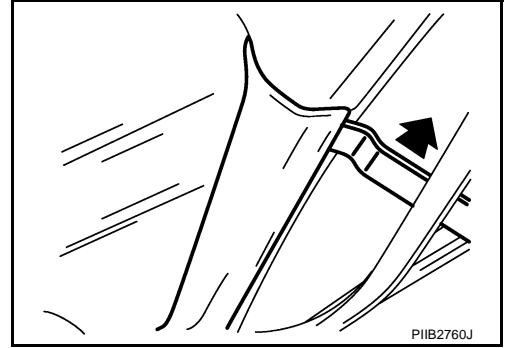
A
B
C
D
E
F
G
H
EI
J
K
L
M

BODY SIDE TRIM

FRONT PILLAR GARNISH

Removal

Remove pillar garnish mounting clips using a clip clamp remover, and then remove pillar garnish.



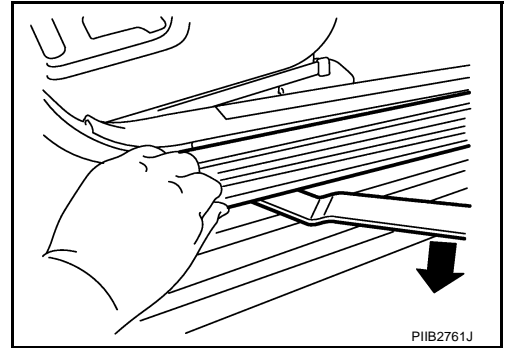
Installation

Install in the reverse order of removal.

FRONT KICKING PLATE OUTER

Removal

Remove front kicking plate outer mounting clips using a clip clamp remover, and then remove kicking plate outer.



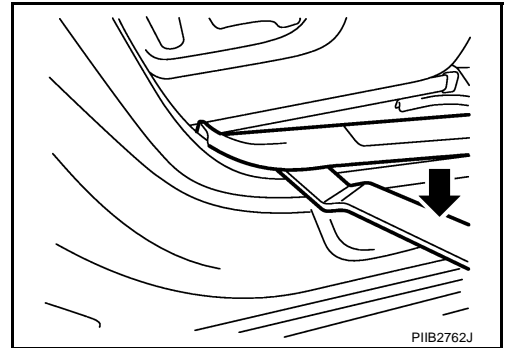
Installation

Install in the reverse order of removal.

FRONT KICKING PLATE INNER

Removal

1. Remove front kicking plate inner mounting clips using a clip clamp remover.
2. Disconnect kicking plate illumination harness connector.
3. Remove front kicking plate inner.



Installation

Install in the reverse order of removal.

BODY SIDE TRIM

FRONT BODY SIDE WELT

Removal

1. Remove center pillar lower garnish.
2. Remove center kicking plate inner.
3. Remove front body side welt.

Installation

Install in the reverse order of removal.

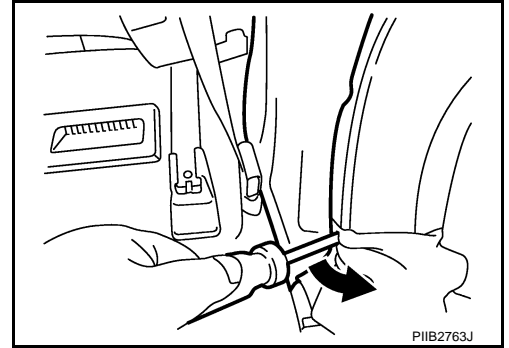
CENTER PILLAR LOWER GARNISH

Removal

Remove center pillar lower garnish mounting clips using a screwdriver, and then remove center pillar lower garnish.

CAUTION:

Be careful not to damage the body.



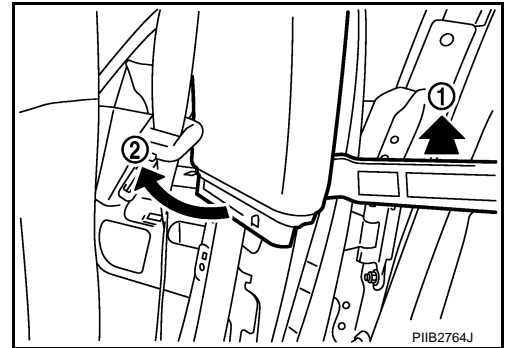
Installation

Install in the reverse order of removal.

CENTER PILLAR UPPER GARNISH

Removal

1. Remove center pillar lower garnish.
2. Remove front seat belt floor anchor bolt and front seat belt shoulder anchor bolt. Refer to [SB-30](#), "[Removal and Installation of Front Seat Belt](#)".
3. Remove front body side welt and rear body side welt.
4. Remove center pillar upper garnish mounting clips using a screwdriver, and then remove center pillar upper garnish.



Installation

Install in the reverse order of removal.

A
B
C
D
E
F
G
H

EI

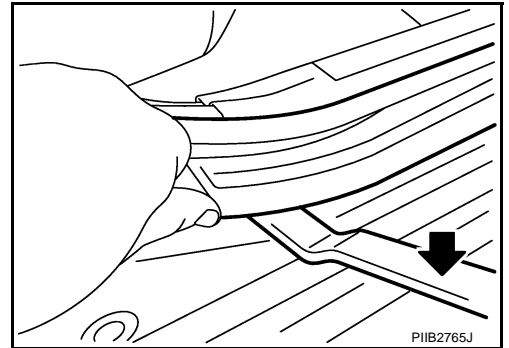
J
K
L
M

BODY SIDE TRIM

REAR KICKING PLATE OUTER

Removal

Remove rear kicking plate outer mounting clips using a clip clamp remover, and then remove kicking plate outer.



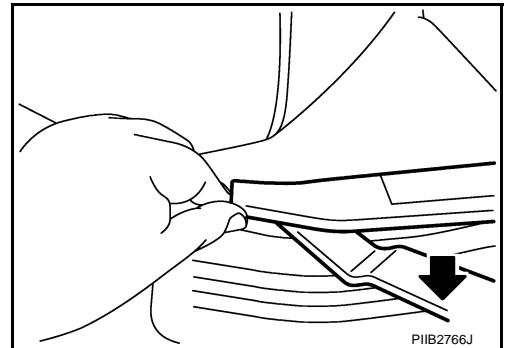
Installation

Install in the reverse order of removal.

REAR KICKING PLATE INNER

Removal

1. Remove rear seat cushion. Refer to [SE-176, "Removal and Installation"](#) .
2. Remove kicking plate inner mounting clips using a clip clamp remover, and then remove kicking plate inner.



Installation

Install in the reverse order of removal.

REAR BODY SIDE WELT

Removal

1. Remove center pillar lower garnish.
2. Remove rear seat cushion. Refer to [SE-176, "Removal and Installation"](#) .
3. Remove rear kicking plate inner.
4. Remove rear body side welt.

Installation

Install in the reverse order of removal.

BODY SIDE TRIM

REAR WHEEL HOUSE GARNISH

Removal

1. Remove rear seat cushion and rear seatback. Refer to [SE-176, "Removal and Installation"](#) .
2. Remove rear body side welt.
3. Remove clip of rear wheel house garnish.
4. Remove rear wheel house garnish.

Installation

Install in the reverse order of removal.

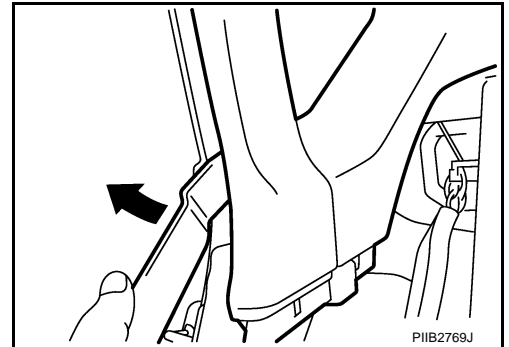
NOTE:

To install, check if all clips are matched over holes of panel on vehicle, then push on.

REAR PILLAR FINISHER

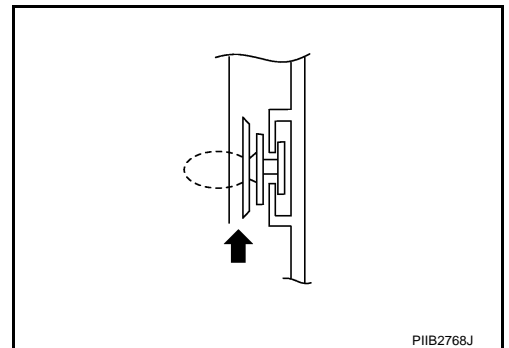
Removal

1. Remove rear seat cushion and rear seatback. Refer to [SE-176, "Removal and Installation"](#) .
2. Remove rear seat belt floor anchor bolt. Refer to [SB-32, "Removal and Installation of Rear Seat Belt"](#) .
3. Remove rear kicking plate inner.
4. Remove rear wheel house garnish.
5. Remove pillar finisher mounting clips using a screwdriver, and then remove pillar finisher.



CAUTION:

Insert a clip clamp remover wrapped with a shop cloth or clip clamp remover into the part shown by the arrow (between the clips and the body side panel). Remove clips.



Installation

Install in the reverse order of removal.

CAUTION:

Make sure that clips are securely fitted in panel holes on body when installing, and then press them in.

REAR PARCEL SHELF FINISHER

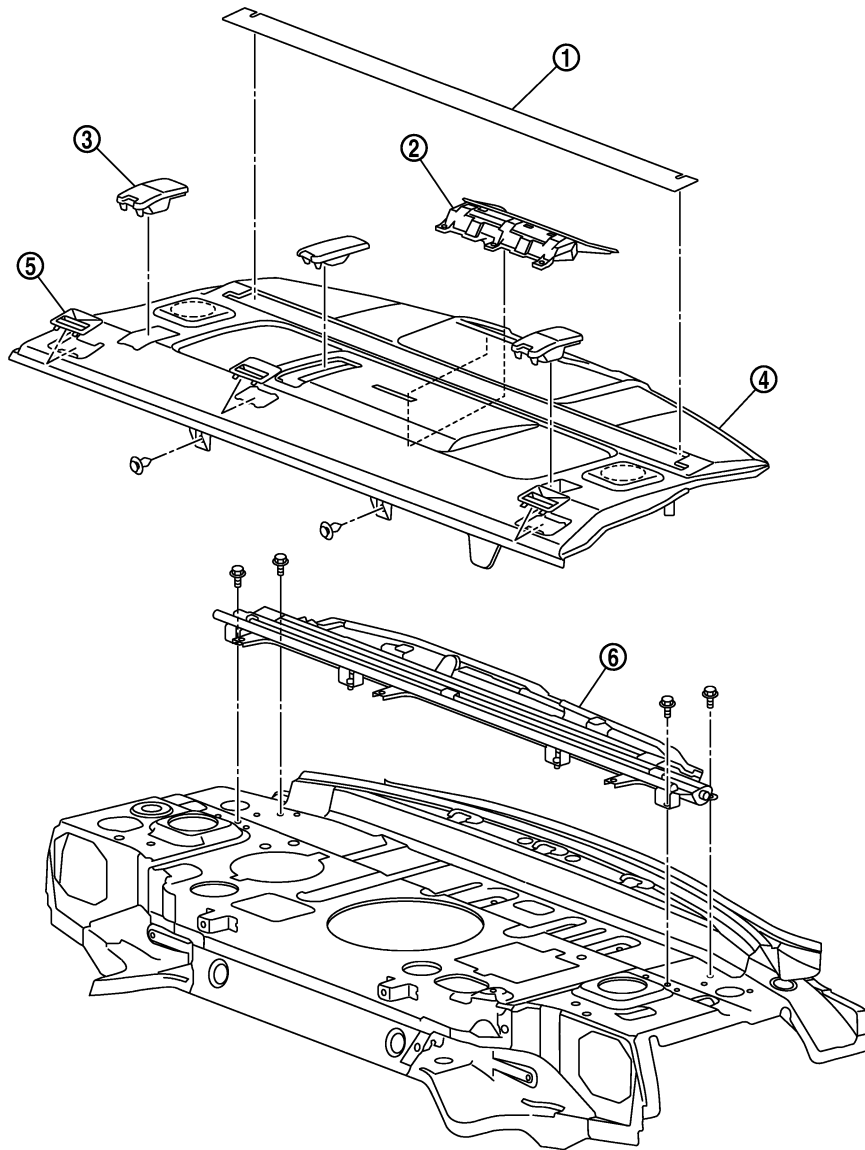
REAR PARCEL SHELF FINISHER

PFP:79910

Removal and Installation

NIS0024W

SEC. 799



PIIB4590E

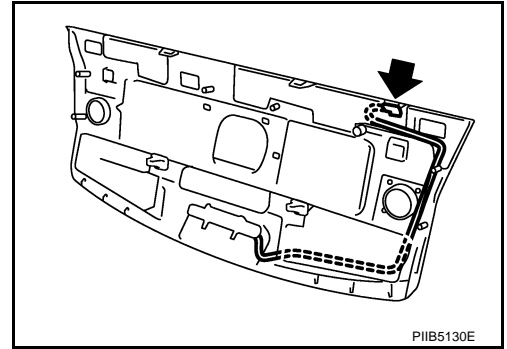
- | | | |
|-------------------------------|---|-------------------------|
| 1. Rear parcel shelf lid | 2. High-mounted stop lamp | 3. Child anchor cover |
| 4. Rear parcel shelf finisher | 5. Rear seat belt shoulder anchor cover | 6. Rear window sunshade |

REMOVAL

1. Remove rear seatback and rear seat cushion. Refer to [SE-176, "Removal and Installation"](#).
2. Remove rear seat belt floor anchor bolt and rear seat belt shoulder anchor bolt. Refer to [SB-32, "Removal and Installation of Rear Seat Belt"](#).
3. Disengage child anchor cover front pawls, and then pull out child anchor cover (LH/RH center) toward front of vehicle. (Models with rear window sunshade)
4. Remove rear kicking plate inner, rear wheelhouse garnish, rear pillar finisher. Refer to [EI-37, "BODY SIDE TRIM"](#).

REAR PARCEL SHELF FINISHER

5. Disconnect high-mounted stop lamp harness connector from front side of rear parcel shelf finisher. (Models with rear window sunshade)



6. Remove rear parcel shelf finisher mounting clip using a clip clamp remover.
7. Remove the following parts after removing rear parcel shelf finisher.
 - Rear speaker grille (for woofer)
 - High-mounted stop lamp
 - High-mounted stop lamp harness

INSTALLATION

Install in the reverse order of removal.

CAUTION:

Make sure that clips are securely fitted in panel holes on body when installing, and then press them in.

Rear Window Sunshade REMOVAL AND INSTALLATION

NIS0024X

CAUTION:

Be careful not to damage the rear window glass.

Removal

1. Remove rear parcel shelf finisher. Refer to [EI-42. "REAR PARCEL SHELF FINISHER"](#) .
2. Disconnect rear window sunshade harness connector.
3. Remove rear window sunshade mounting bolts.
4. Lift up rear window sunshade and pull out locating pin from body side panel hole, and then remove rear window sunshade.

Installation

Install in the reverse order of removal.

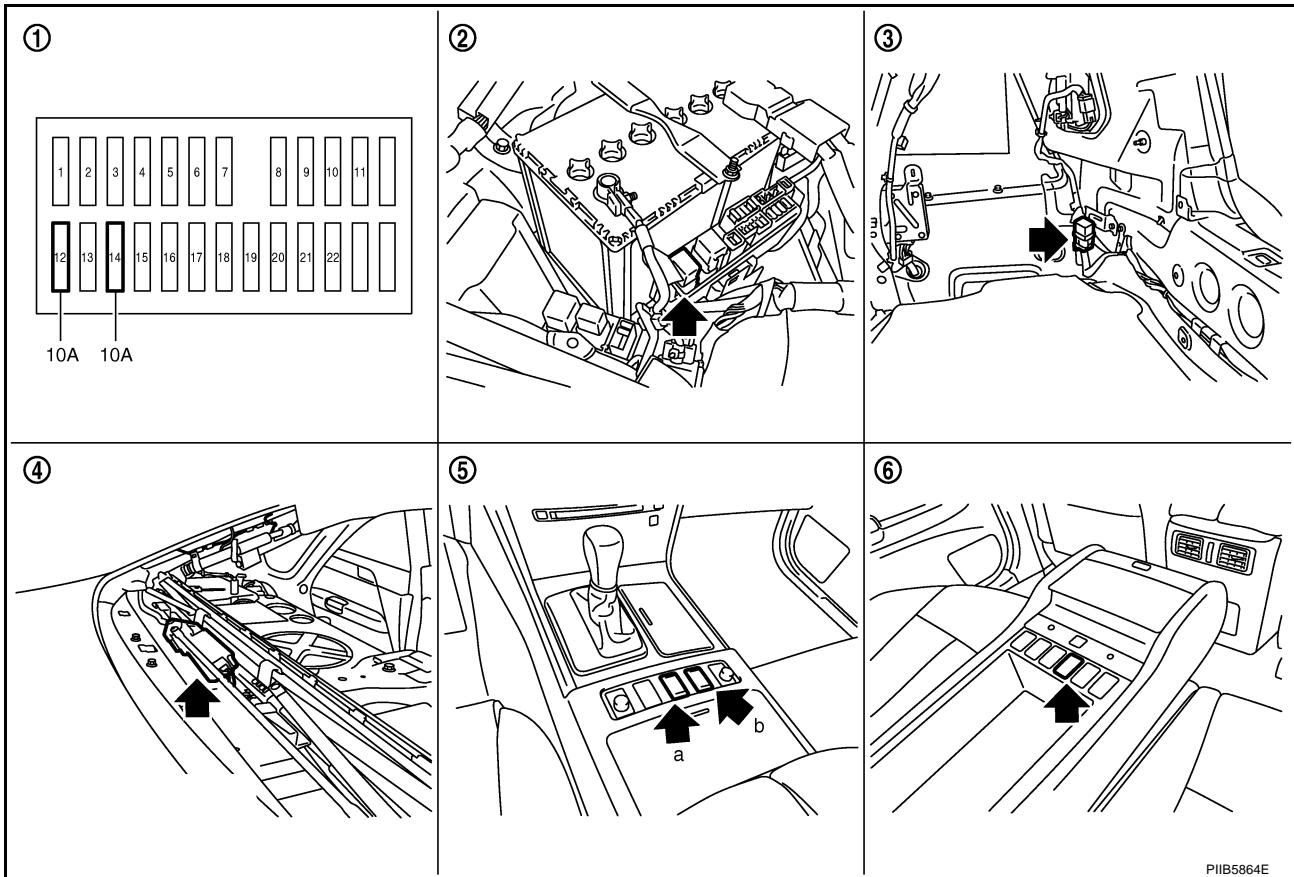
SUNSHADE

PFP:97580

SUNSHADE

Component Parts and Harness Connector Location

NIS0024Y



1. Fuse block (J/B)

2. Back-up lamp relay E19

3. Rear sunshade cancel relay B141
(View with the trunk side finisher RH removed)

4. Rear sunshade unit (With built-in motor) B122
(View with the rear parcel shelf finisher removed)

5. a: Rear sunshade front switch M137
b: Rear control cancel switch M151

6. Rear sunshade rear switch B557

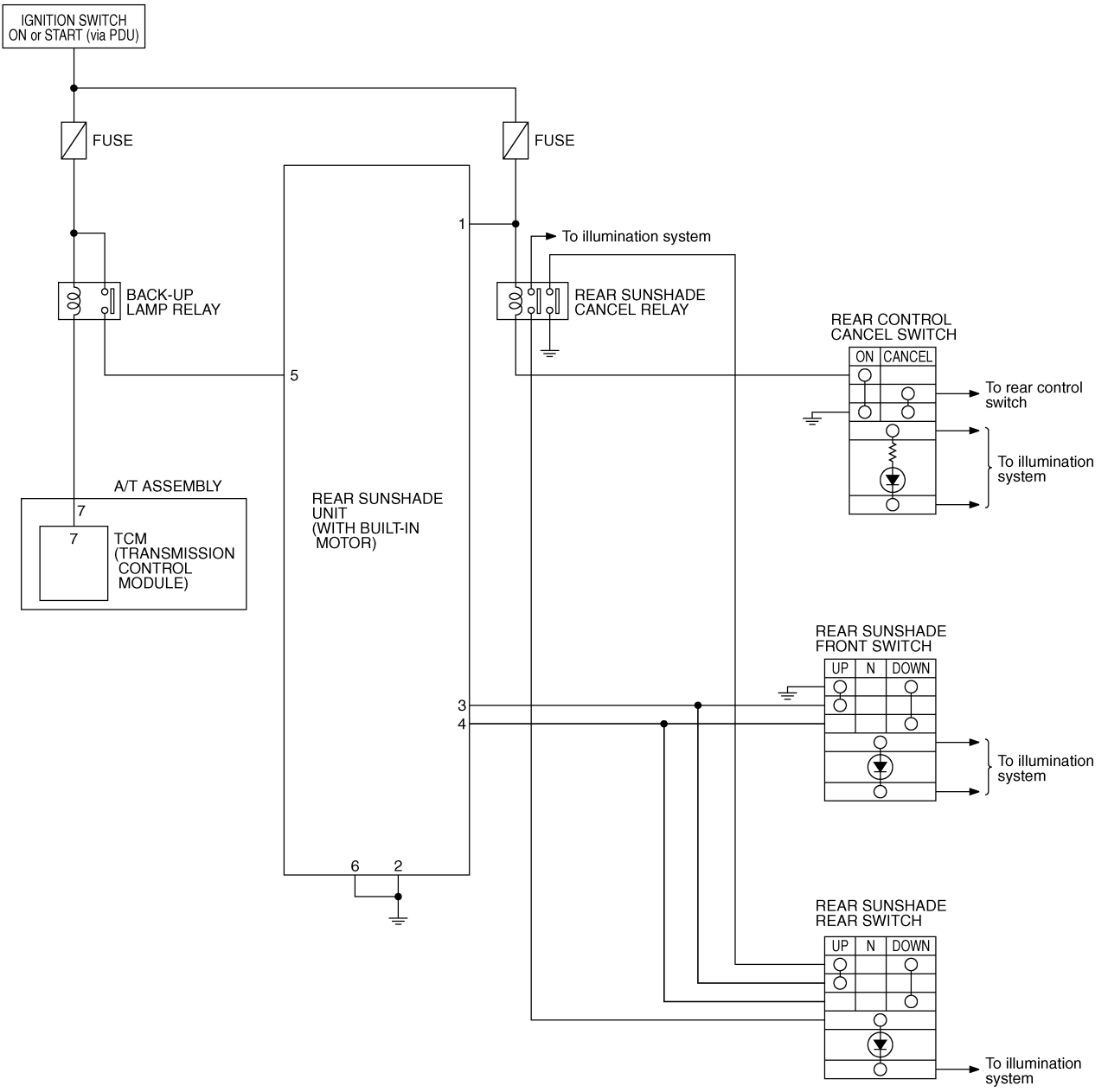
PIIB5864E

SUNSHADE

Schematic

NIS0024Z

A
B
C
D
E
F
G
H
EI
J
K
L
M



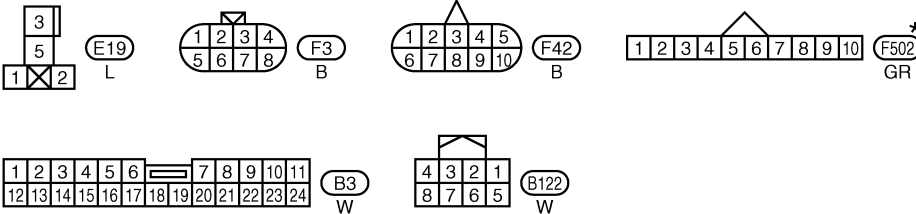
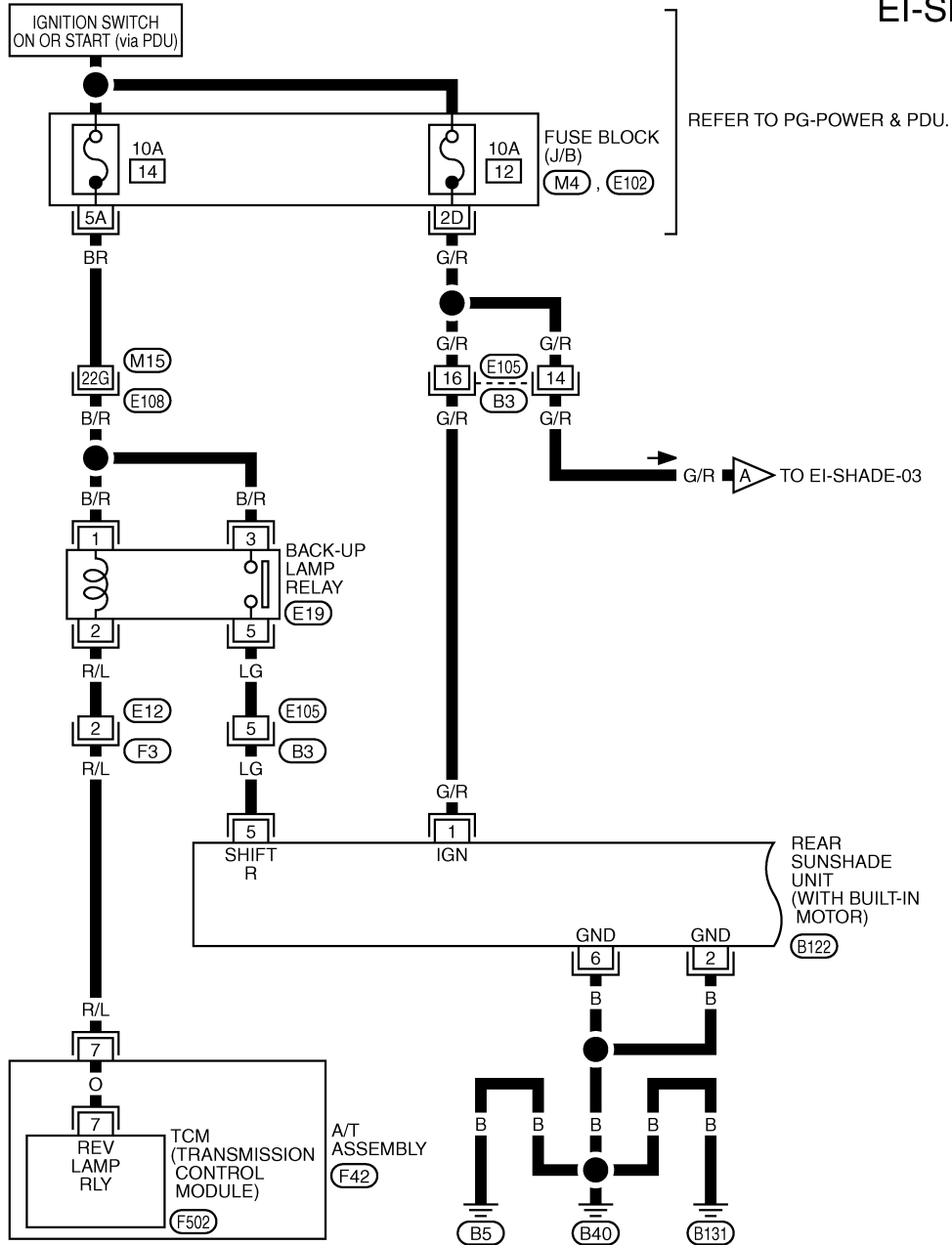
TIWT1338E

SUNSHADE

NIS00250

Wiring Diagram—SHADE—

EI-SHADE-01



REFER TO THE FOLLOWING.

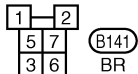
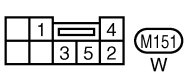
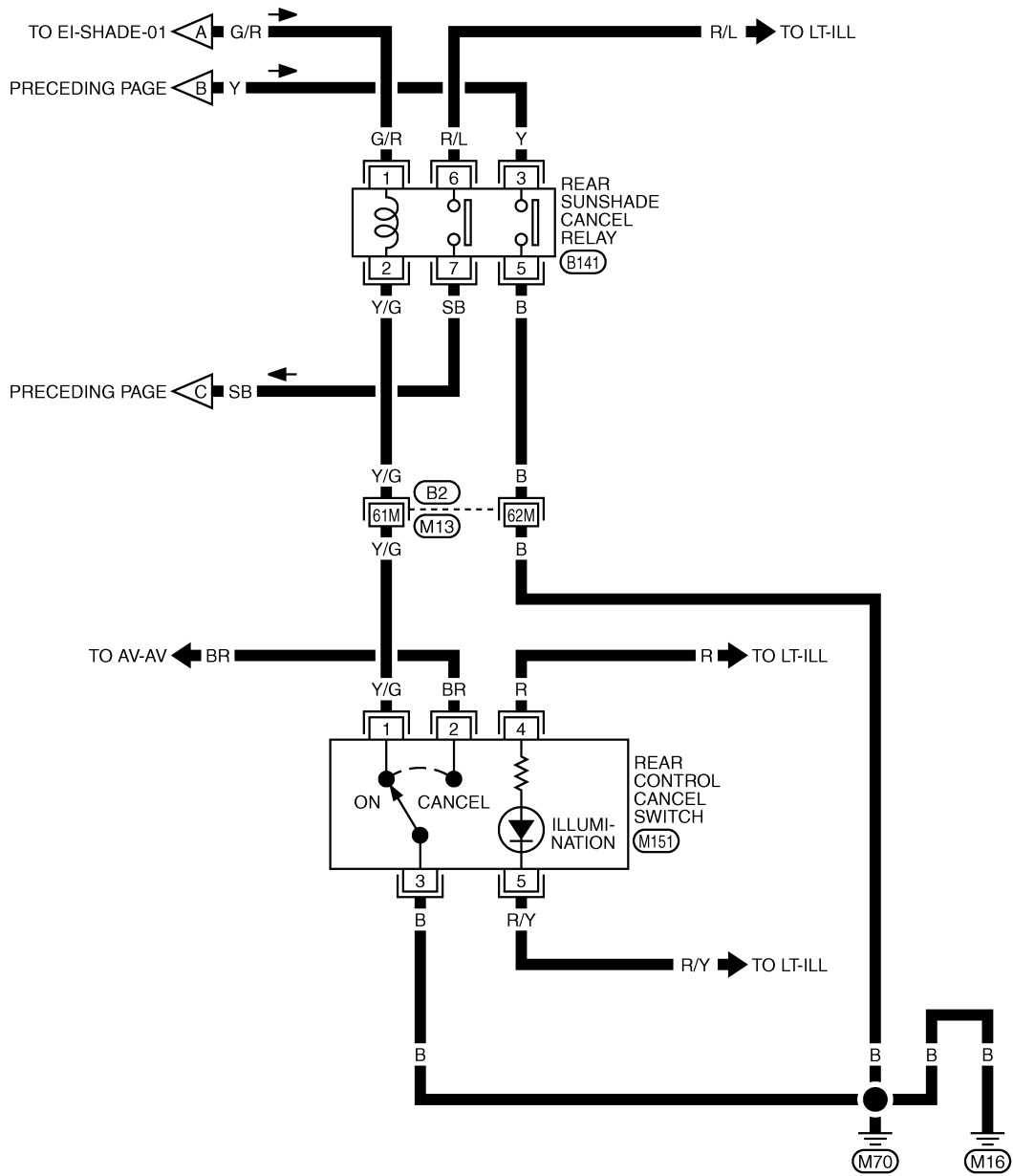
- E108** -SUPER MULTIPLE JUNCTION (SMJ)
- M4**, **E102** -FUSE BLOCK-JUNCTION BOX (J/B)

*: THIS CONNECTOR IS NOT SHOWN IN "HARNESS LAYOUT", PG SECTION.

TIWT1339E

SUNSHADE

EI-SHADE-03



REFER TO THE FOLLOWING.
 (B2) -SUPER MULTIPLE JUNCTION (SMJ)

TIWT1341E

SUNSHADE

Terminals and Reference Values for Rear Sunshade Unit

NIS00251

Terminal	Wire color	Item	Condition	Voltage (V) (Approx.)
1	G/R	Ignition switch (ON or START)	Ignition switch is ON or START position	Battery voltage
2	B	Ground	—	0
3	V	Rear sunshade UP signal	Rear sunshade front or rear switch operates UP position and rear control cancel switch operates ON position	0
			Other than above	Battery voltage
4	R	Rear sunshade DOWN signal	Rear sunshade front or rear switch operates DOWN position and rear control cancel switch operates ON position	0
			Other than above	Battery voltage
5	LG	Shift R position signal	When A/T shift lever is R position	Battery voltage
			When A/T shift lever is other than R position	0
6	B	Ground	—	0

A
B
C
D
E
F
G
H
EI
J
K
L
M

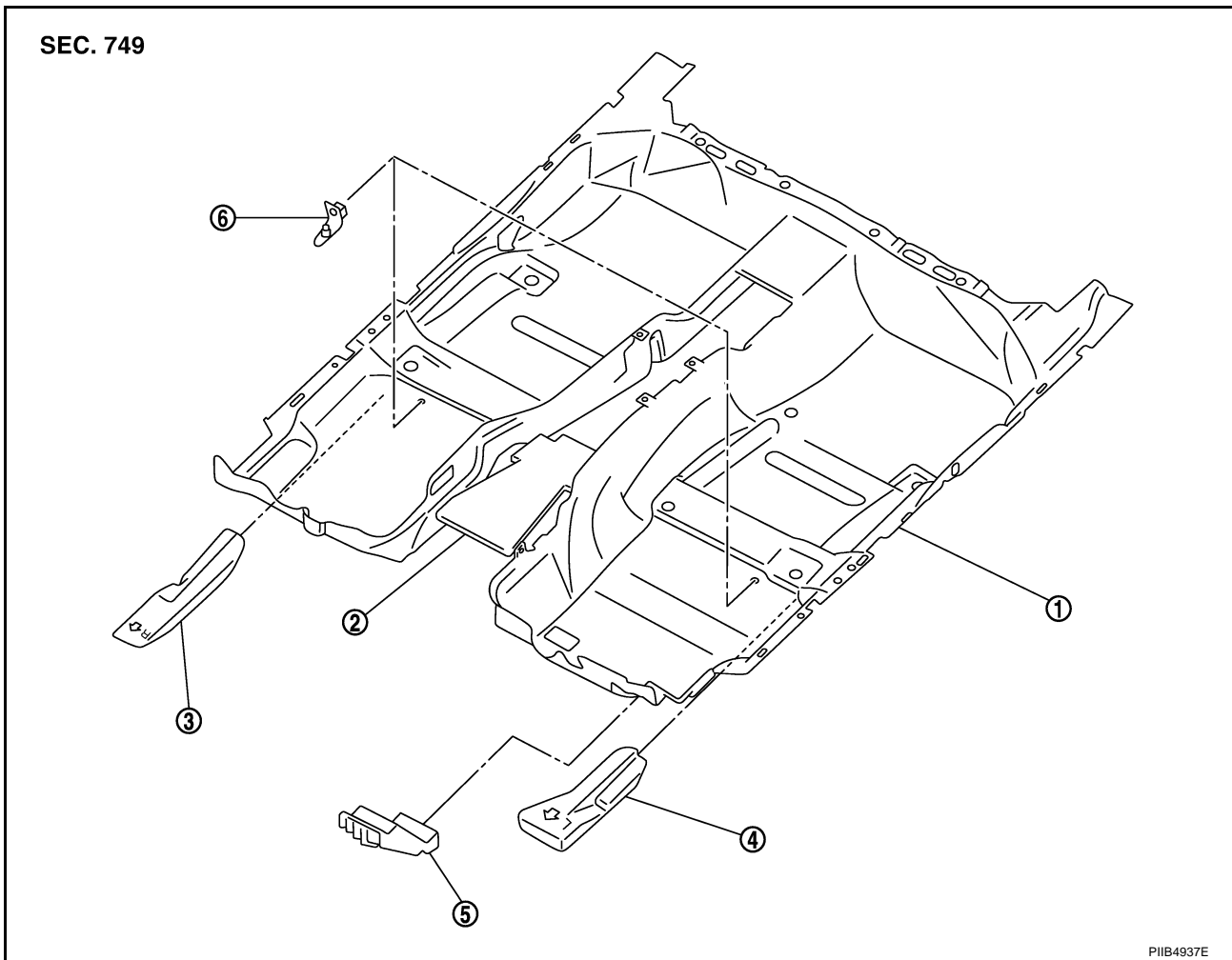
FLOOR TRIM

FLOOR TRIM

PFP:74902

Removal and Installation

NIS00252



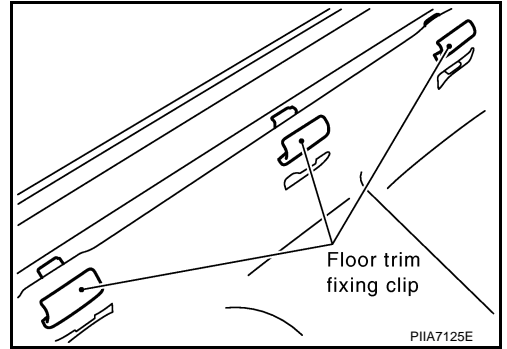
- | | | |
|----------------|--------------|----------------|
| 1. Floor trim | 2. Insulator | 3. Spacer (RH) |
| 4. Spacer (LH) | 5. Footrest | 6. Floor hook |

REMOVAL

1. Remove front seat (LH/RH) and rear seat cushion. Refer to [SE-167, "Removal and Installation"](#) and [SE-176, "Removal and Installation"](#).
2. Remove accelerator pedal pad. Refer to [ACC-3, "ACCELERATOR CONTROL SYSTEM"](#).
3. Remove rear floor grille and foot grille. Refer to [ATC-144, "DUCTS AND GRILLES"](#).
4. Remove front seat belt floor anchor bolt (LH/RH). Refer to [SB-30, "Removal and Installation of Front Seat Belt"](#).
5. Remove center console. Refer to [IP-10, "INSTRUMENT PANEL ASSEMBLY"](#).
6. Remove instrument driver lower panel and instrument passenger lower cover. Refer to [IP-10, "INSTRUMENT PANEL ASSEMBLY"](#).
7. Remove floor hook.
8. Remove dash side finisher, front kicking plate inner, center pillar lower garnish, and rear kicking plate inner, front body side welt (LH/RH), rear body side welt (LH/RH), rear wheel house garnish. Refer to [EI-37, "BODY SIDE TRIM"](#).

FLOOR TRIM

9. Remove floor carpet from carpet clips and remove floor carpet.



INSTALLATION

Install in the reverse order of removal.

A
B
C
D
E
F
G
H
EI
J
K
L
M

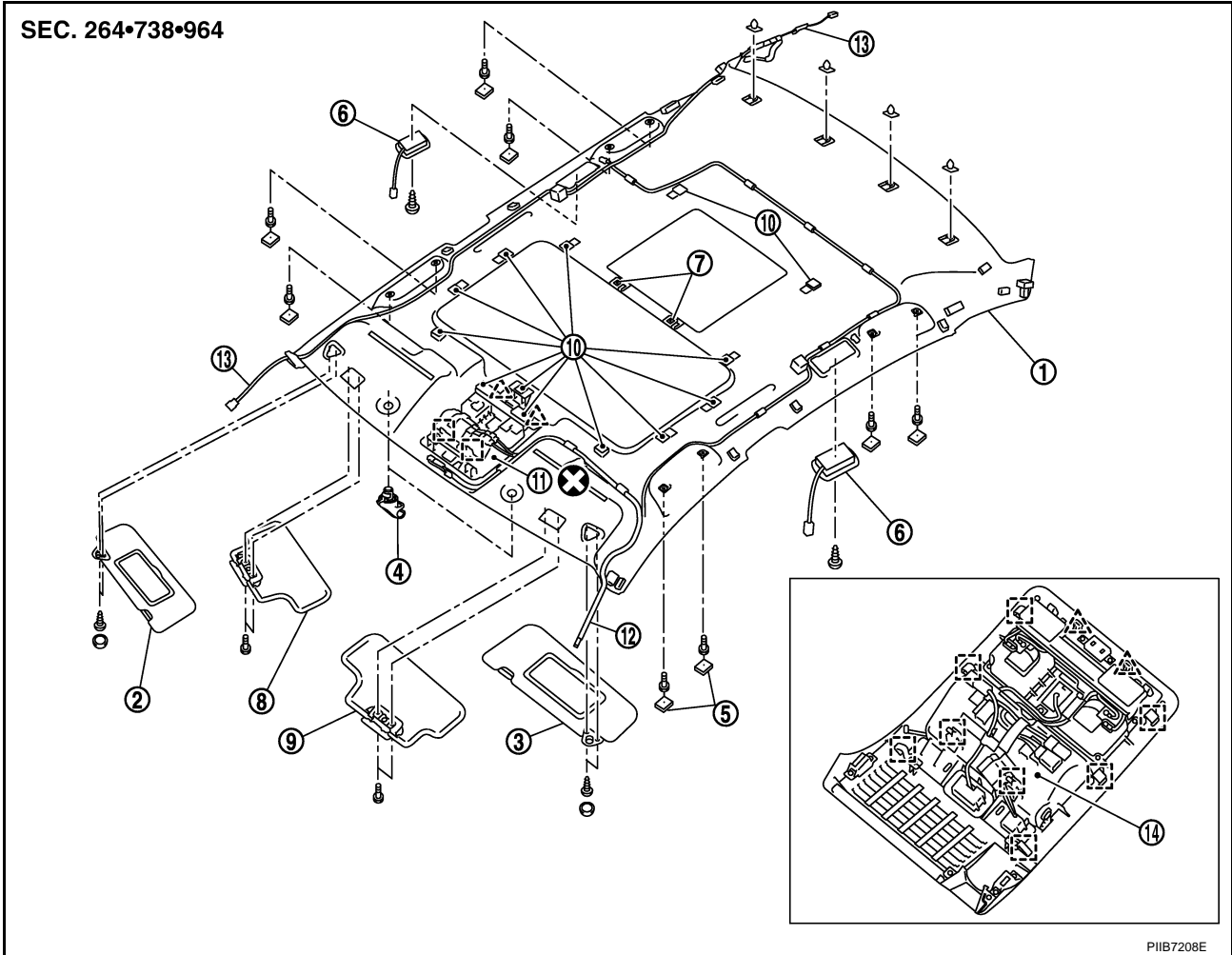
HEADLINING

PF7:73910


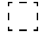
NIS00253

HEADLINING

Removal and Installation



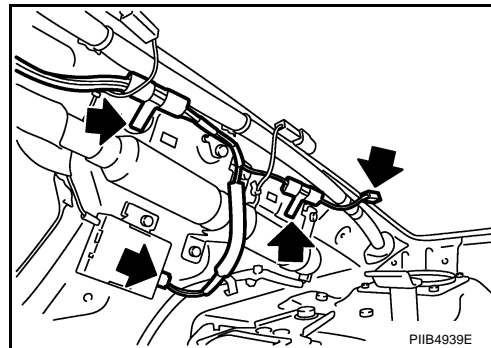
PIIB7208E

- | | | |
|--|--|---------------------------|
| 1. Headlining assembly | 2. Sun-visor (RH) | 3. Sun-visor (LH) |
| 4. Sun-visor holder | 5. Clip | 6. Personal lamp |
| 7. Clip holder | 8. Dual-visor (RH) | 9. Dual-visor (LH) |
| 10. Dual lock fastener | 11. Map lamp assembly | 12. Roof harness assembly |
| 13. Antenna feeder assembly | 14. Map lamp assembly (with LDW system) | |
|  Pawl |  Metal clip | |

HEADLINING

REMOVAL

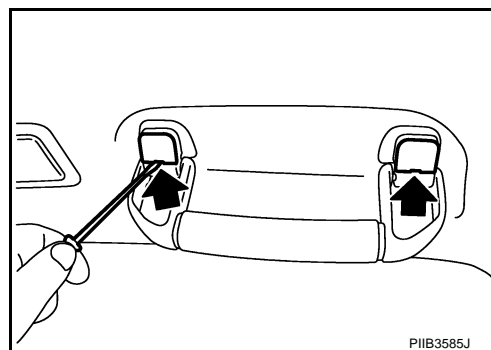
1. Remove front pillar garnish (LH/RH). Refer to [EI-37, "BODY SIDE TRIM"](#) .
2. Remove roof harness and antenna feeder securing clip using a clip clamp remover after removing front pillar garnish (LH/RH), and then disconnect roof harness and antenna feeder connectors.
3. Remove rear seat cushion and seatback. Refer to [SE-172, "REAR SEAT"](#) .
4. Remove front kicking plate inner, center pillar lower garnish, center pillar upper garnish, front body side welt, rear kicking plate inner, rear wheelhouse garnish, rear pillar finisher, rear body side welt. Refer to [EI-37, "BODY SIDE TRIM"](#) .
5. Disconnect antenna feeder connectors of antenna amplifier and sub-antenna feeder after removing rear pillar finisher (LH), and then remove antenna feeder securing clip using a remover.



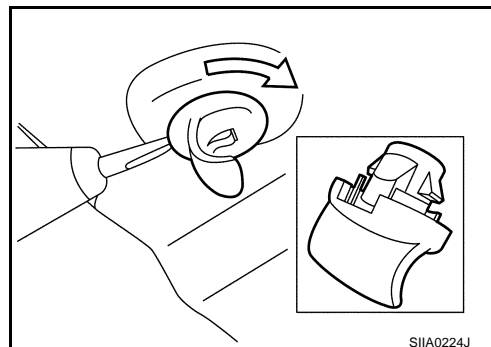
6. Models with sunroof: Remove mounting plastic clips of front assistance grip (LH/RH) and rear assistance grip (LH/RH), and then remove bolts.
Models with standard roof: Remove mounting plastic clips of front assistance grip (LH) and rear assistance grip (LH/RH).

CAUTION:

- Always use SST, and attach a cloth to protect from damage.
- Assistance grip is crimped from back of headlining. Remove it by disengaging the crimping area of back of lamp after removing headlining from the vehicle.



7. Remove screws on personal lamp (in coat hanger hook).
8. Remove rear display unit. (models with mobile entertainment system) Refer to [AV-292, "Rear Display Unit"](#) .
9. Remove sun visor bracket cover and mounting screws, and then remove sun visors (LH/RH).
NOTE:
Disconnect vanity mirror illumination harness connector when removing sun visor.
10. Remove screws of dual-visor, and then remove dual-visor (LH/RH).
11. Insert a screwdriver into the sun visor holder cutout and rotate 90 degrees to remove sun visor holder (LH/RH).



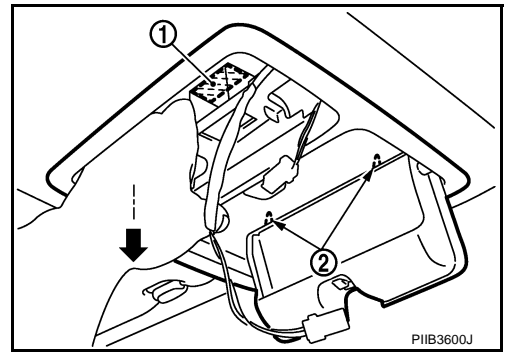
12. Remove map lamp assembly. (models with LDW system)
13. Remove passenger seat assembly. Refer to [SE-163, "FRONT SEAT"](#) .
14. Using a removal tool, remove body side mounting plastic clip from rear side of headlining.

HEADLINING

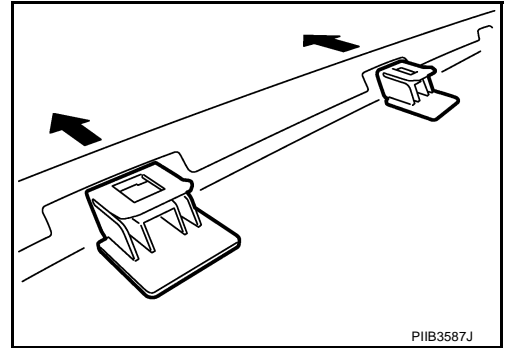
15. Pull map lamp assembly toward vehicle lower, and disengage dual-lock fastener (1) and metal clips (2). (models without LDW system)

CAUTION:

Map lamp assembly is crimped from back of headlining. Remove it by disengaging the crimping area of back of map lamp assembly after removing headlining from the vehicle.



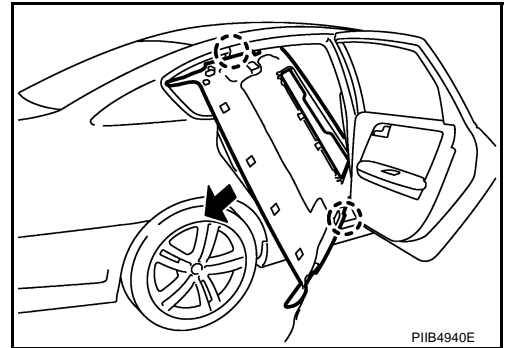
16. Remove dual lock fastener around the sunroof opening, and then disengage hooks (rear of roof opening on back of headlining) by sliding the headlining toward vehicle front.



17. Remove headlining from front door left opening.

CAUTION:

- When removing, 2 workers are required. (1 for each front and rear of headlining)
- Cover center console finisher upper surface with a shop cloth so as to prevent it from being damaged.
- Set A/T selector lever to D position, and make a space to remove front end of headlining right side.
- Do not bend headlining when removing.



18. Remove the following parts after removing headlining.

- Personal lamp (LH/RH). Refer to [LT-291, "REMOVAL AND INSTALLATION"](#) .
- Map lamp assembly (without LDW system). Refer to [LT-291, "REMOVAL AND INSTALLATION"](#) .
- Assistance grip assembly.
- Roof harness assembly.
- Antenna feeder assembly.

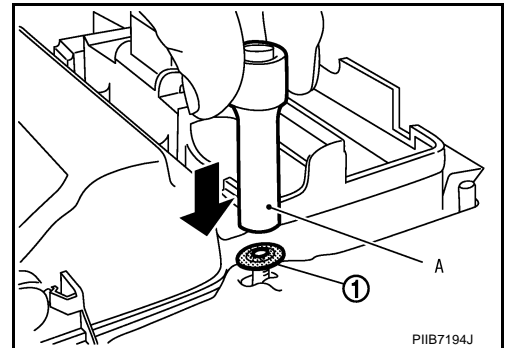
HEADLINING

INSTALLATION

Install in the reverse order of removal.

CAUTION:

- Install headlining assembly after inserting clips to clip holder of headlining rear end.
- Do not bend headlining when installing.
- When installing the map lamp assembly (new unit) or assist grip assembly (new unit), use tools like drafter or deep socket (A) to eliminate the gap between the headlining and the above new units while the push on nuts (1).



A

B

C

D

E

F

G

H

EI

J

K

L

M

TRUNK ROOM TRIM & TRUNK LID FINISHER

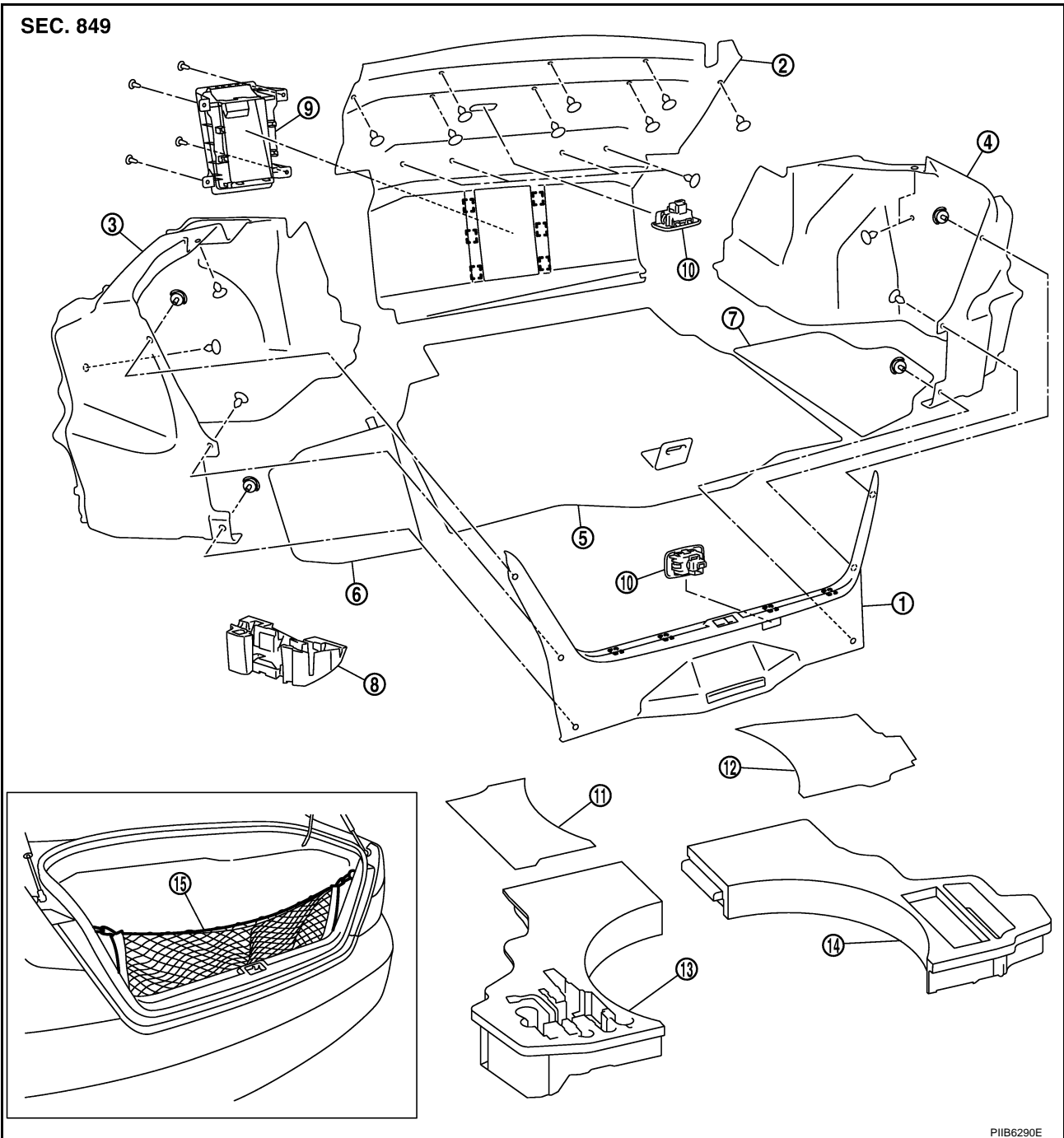
TRUNK ROOM TRIM & TRUNK LID FINISHER

PFP:84920

Removal and Installation for Trunk Room Trim

NIS00254

SEC. 849



PIIB6290E

- | | | |
|---|---|-----------------------------|
| 1. Trunk rear plate | 2. Trunk front finisher | 3. Trunk side finisher (LH) |
| 4. Trunk side finisher (RH) | 5. Trunk floor carpet | 6. Trunk floor carpet (LH) |
| 7. Trunk floor carpet (RH) | 8. Trunk side box
(for temper tire models) | 9. Rear seatback finisher |
| 10. Trunk room lamp | 11. Trunk floor felt (LH) | 12. Trunk floor felt (RH) |
| 13. Trunk floor spacer (LH)
(for sport models) | 14. Trunk floor spacer (RH)
(for sport models) | 15. Trunk net |

 Metal clip

TRUNK ROOM TRIM & TRUNK LID FINISHER

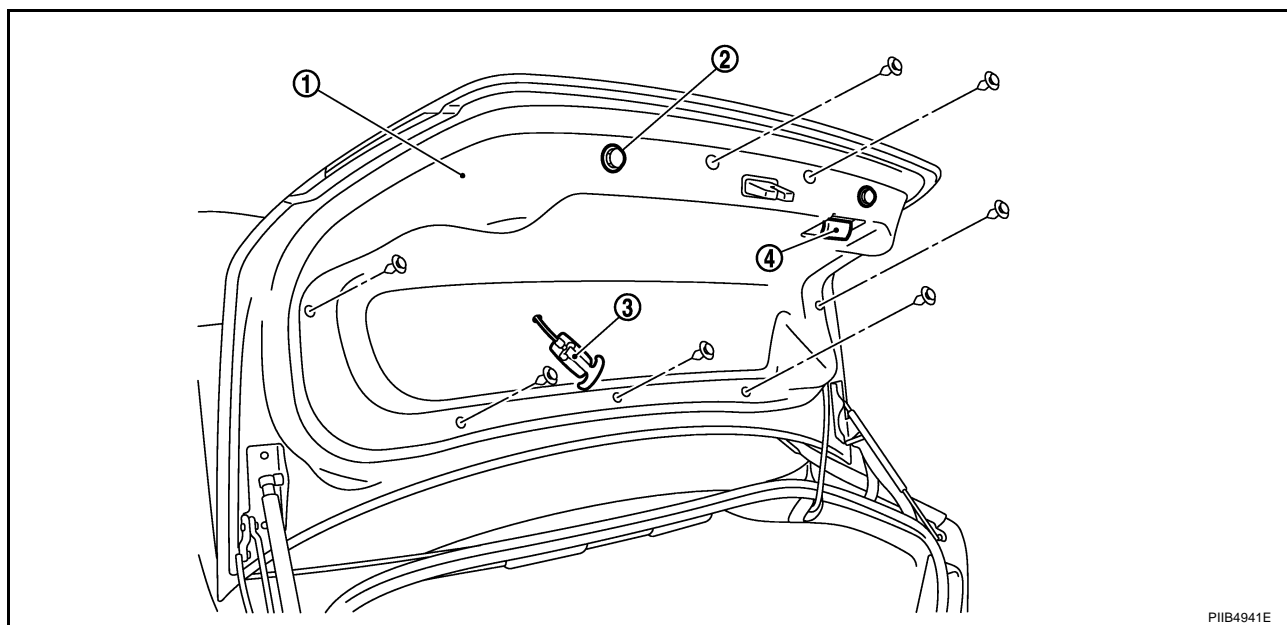
REMOVAL

1. Fully open trunk lid assembly.
2. Remove trunk floor carpet.
3. Remove trunk side box. (for temper tire models)
4. Remove trunk floor spacer (LH/RH). (for sport models)
5. Remove trunk room lamp of trunk rear plate, and disconnect trunk room lamp connector.
6. Remove trunk rear plate mounting clips, and the remove trunk rear plate.
7. Remove trunk side finisher mounting clips, and the remove trunk side finisher (LH/RH).
8. Remove rear seatback and rear seat cushion. Refer to [SE-172. "REAR SEAT"](#) .
9. Remove rear seatback finisher mounting clips, and the remove rear seatback finisher.
10. Remove trunk room lamp of trunk front finisher, and disconnect trunk room lamp connector.
11. Remove trunk front finisher mounting clips, and the trunk front finisher.

INSTALLATION

Install in the reverse order of removal.

REMOVAL AND INSTALLATION OF TRUNK LID FINISHER INNER



1. Trunk lid finisher inner
2. Trunk lid bumper rubber
3. Emergency handle
4. Trunk lid pull handle

Removal

1. Fully open trunk lid assembly.
2. Remove trunk lid bumper rubber.
3. Remove screws of trunk lid pull handle, and then remove trunk lid pull handle.
4. Remove clips of trunk lid finisher.
5. Remove trunk lid emergency handle holder.
6. Remove trunk lid finisher inner.

Installation

Install in the reverse order of removal.

TRUNK ROOM TRIM & TRUNK LID FINISHER
