

A
B
C
D
E
F
PS
H
I
J
K
L
M

SECTION PS

POWER STEERING SYSTEM

CONTENTS

<p>PRECAUTIONS 3</p> <p> Precautions for Supplemental Restraint System (SRS) "AIR BAG" and "SEAT BELT PRE-TENSIONER" 3</p> <p> Precautions Necessary for Steering Wheel Rotation after Battery Disconnect 3</p> <p> OPERATION PROCEDURE 3</p> <p> Precautions for Steering System 4</p> <p>PREPARATION 5</p> <p> Special Service Tools [SST] 5</p> <p> Commercial Service Tools 6</p> <p>NOISE, VIBRATION AND HARSHNESS (NVH)</p> <p>TROUBLESHOOTING 7</p> <p> NVH Trouble Shooting Chart 7</p> <p>POWER STEERING FLUID 8</p> <p> Checking Fluid Level 8</p> <p> Checking Fluid Leakage 8</p> <p> Air Bleeding Hydraulic System 8</p> <p>STEERING WHEEL 10</p> <p> On-Vehicle Inspection and Service 10</p> <p> CHECKING CONDITION OF INSTALLATION ... 10</p> <p> CHECKING STEERING WHEEL PLAY 10</p> <p> CHECKING NEUTRAL POSITION STEERING WHEEL 10</p> <p> CHECKING STEERING WHEEL TURNING FORCE 10</p> <p> CHECKING FRONT WHEEL TURNING ANGLE... 11</p> <p> Removal and Installation 12</p> <p> REMOVAL 12</p> <p> INSTALLATION 12</p> <p>STEERING COLUMN 13</p> <p> Removal and Installation 13</p> <p> COMPONENTS 13</p> <p> REMOVAL OF UPPER JOINT, COLLAR, HOLE COVER SEAL, HOLE COVER, LOWER SHAFT AND LOWER JOINT 14</p> <p> INSPECTION AFTER REMOVAL 14</p>	<p> INSTALLATION OF UPPER JOINT, COLLAR, HOLE COVER SEAL, HOLE COVER, LOWER SHAFT AND LOWER JOINT 14</p> <p> REMOVAL OF STEERING COLUMN ASSEMBLY 15</p> <p> INSPECTION AFTER REMOVAL 16</p> <p> INSTALLATION OF STEERING COLUMN ASSEMBLY 16</p> <p> INSPECTION AFTER INSTALLATION 16</p> <p> Disassembly and Assembly 17</p> <p> COMPONENTS 17</p> <p> DISASSEMBLY 17</p> <p> INSPECTION AFTER DISASSEMBLY 17</p> <p> ASSEMBLY 17</p> <p> INSPECTION AFTER ASSEMBLY 17</p> <p>POWER STEERING GEAR 18</p> <p> Removal and Installation 18</p> <p> COMPONENTS 18</p> <p> REMOVAL 18</p> <p> INSTALLATION 19</p> <p> INSPECTION AFTER INSTALLATION 19</p> <p> Disassembly and Assembly 20</p> <p> COMPONENTS 20</p> <p> DISASSEMBLY 21</p> <p> INSPECTION AFTER DISASSEMBLY 22</p> <p> ASSEMBLY 24</p> <p>POWER STEERING OIL PUMP 29</p> <p> On-Vehicle Inspection and Service 29</p> <p> CHECKING RELIEF OIL PRESSURE 29</p> <p> Removal and Installation 29</p> <p> REMOVAL 29</p> <p> INSTALLATION 29</p> <p> Disassembly and Assembly (Models with VK45DE).. 30</p> <p> COMPONENTS 30</p> <p> INSPECTION BEFORE DISASSEMBLY 30</p> <p> DISASSEMBLY 31</p> <p> INSPECTION AFTER DISASSEMBLY 31</p>
--	---

ASSEMBLY	32	VK45DE MODELS	42
Disassembly and Assembly (Models with VQ35DE)..	34	Removal and Installation	43
COMPONENTS	34	SERVICE DATA AND SPECIFICATIONS (SDS)	44
INSPECTION BEFORE DISASSEMBLY	34	Steering Wheel	44
DISASSEMBLY	35	Steering Angle	44
INSPECTION AFTER DISASSEMBLY	35	Steering Column	44
ASSEMBLY	36	Steering Outer Socket and Inner Socket	44
HYDRAULIC LINE	38	Steering Gear	45
Components	38	Oil Pump	45
VQ35DE 2WD MODELS	38	Steering Fluid	45
VQ35DE AWD MODELS	40		

PRECAUTIONS

PRECAUTIONS

PFP:00001

Precautions for Supplemental Restraint System (SRS) “AIR BAG” and “SEAT BELT PRE-TENSIONER”

NGS000CZ

The Supplemental Restraint System such as “AIR BAG” and “SEAT BELT PRE-TENSIONER”, used along with a front seat belt, helps to reduce the risk or severity of injury to the driver and front passenger for certain types of collision. This system includes seat belt switch inputs and dual stage front air bag modules. The SRS system uses the seat belt switches to determine the front air bag deployment, and may only deploy one front air bag, depending on the severity of a collision and whether the front occupants are belted or unbelted. Information necessary to service the system safely is included in the SRS and SB section of this Service Manual.

WARNING:

- To avoid rendering the SRS inoperative, which could increase the risk of personal injury or death in the event of a collision which would result in air bag inflation, all maintenance must be performed by an authorized NISSAN/INFINITI dealer.
- Improper maintenance, including incorrect removal and installation of the SRS, can lead to personal injury caused by unintentional activation of the system. For removal of Spiral Cable and Air Bag Module, see the SRS section.
- Do not use electrical test equipment on any circuit related to the SRS unless instructed to in this Service Manual. SRS wiring harnesses can be identified by yellow and/or orange harnesses or harness connectors.

Precautions Necessary for Steering Wheel Rotation after Battery Disconnect

NGS000D0

NOTE:

- Before removing and installing any control units, first turn the push-button ignition switch to the LOCK position, then disconnect both battery cables.
- After finishing work, confirm that all control unit connectors are connected properly, then re-connect both battery cables.
- Always use CONSULT-II to perform self-diagnosis as a part of each function inspection after finishing work. If a DTC is detected, perform trouble diagnosis according to self-diagnosis results.

This vehicle is equipped with a push-button ignition switch and a steering lock unit.

If the battery is disconnected or discharged, the steering wheel will lock and cannot be turned.

If turning the steering wheel is required with the battery disconnected or discharged, follow the procedure below before starting the repair operation.

OPERATION PROCEDURE

1. Connect both battery cables.

NOTE:

Supply power using jumper cables if battery is discharged.

2. Carry the Intelligent Key or insert it to the key slot and turn the push-button ignition switch to ACC position. (At this time, the steering lock will be released.)
3. Disconnect both battery cables. The steering lock will remain released with both battery cables disconnected and the steering wheel can be turned.
4. Perform the necessary repair operation.
5. When the repair work is completed, re-connect both battery cables. With the brake pedal released, turn the push-button ignition switch from ACC position to ON position, then to LOCK position. (The steering wheel will lock when the push-button ignition switch is turned to LOCK position.)
6. Perform self-diagnosis check of all control units using CONSULT-II.

PRECAUTIONS

Precautions for Steering System

NGS000D1

- In case of removing steering gear assembly, make the final tightening with grounded and unloaded vehicle condition, and then check wheel alignment.
- Observe the following precautions when disassembling.
 - Before disassembly, thoroughly clean the outside of the unit.
 - Disassembly should be done in a clean work area. It is important to prevent the internal parts from becoming contaminated by dirt or other foreign matter.
 - For easier and proper assembly, place disassembled parts in order on a parts rack.
 - Use nylon cloth or paper towels to clean the parts; common shop rags can leave lint that might interfere with their operation.
 - Do not reuse non-reusable parts.
 - Before assembling, apply the specified grease to the directed parts.

PREPARATION

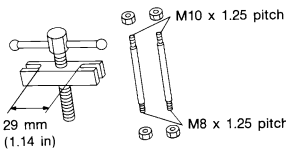
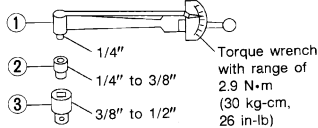
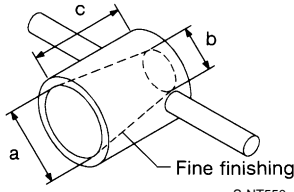
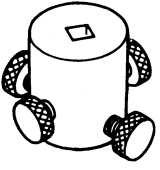
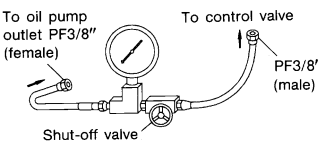
PREPARATION

PPF:00002

Special Service Tools [SST]

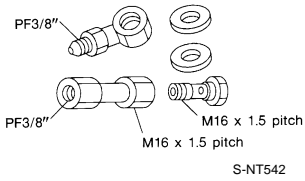
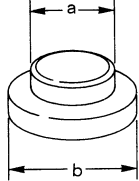
NGS000D2

The actual shapes of Kent-Moore tools may differ from those of special service tools illustrated here.

Tool number (Kent-Moore No.) Tool name	Description
<p>ST27180001 (J-25726-A) Steering wheel puller</p>  <p style="text-align: right;">S-NT544</p>	<p>Removing steering wheel</p>
<p>ST3127S000 (See J-25765-A) Preload gauge 1. GG9103000 (J-25765-A) Torque wrench 2. HT62940000 (-) Socket adapter 3. HT62900000 (-) Socket adapter</p>  <p style="text-align: right;">S-NT541</p>	<p>Inspecting of rotating torque for ball joint</p>
<p>KV48104400 (-) Teflon ring correcting tool a: 50 mm (1.97 in) dia. b: 36 mm (1.42 in) dia. c: 100 mm (3.94 in)</p>  <p style="text-align: right;">S-NT550</p>	<p>Installing rack Teflon ring</p>
<p>KV48103400 (-) Preload adapter</p>  <p style="text-align: right;">ZZA0824D</p>	<p>Inspecting rotating torque</p>
<p>KV48103500 (J-26357) Pressure gauge</p>  <p style="text-align: right;">S-NT547</p>	<p>Measuring oil pump relief pressure</p>

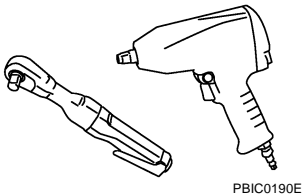
A
B
C
D
E
F
PS
H
I
J
K
L
M

PREPARATION

Tool number (Kent-Moore No.) Tool name	Description
<p>KV48102500 (J-33914) Pressure gauge adapter</p>	 <p style="text-align: right;">S-NT542</p>
<p>ST35300000 (-) Drift a: 45.1 mm (1.776 in) dia. b: 59.0 mm (2.323 in) dia.</p>	 <p style="text-align: right;">ZZA0881D</p>

Commercial Service Tools

NGS000D3

Tool number Tool name	Description
<p>Power tool</p>	 <p style="text-align: right;">PBIC0190E</p> <ul style="list-style-type: none"> ● Removing wheel nuts ● Removing undercover

NOISE, VIBRATION AND HARSHNESS (NVH) TROUBLESHOOTING

NOISE, VIBRATION AND HARSHNESS (NVH) TROUBLESHOOTING

PFP:00003

NVH Trouble Shooting Chart

NGS000D4

Use chart below to help you find the cause of the symptom. If necessary, repair or replace these parts.

Symptom		Possible cause and SUSPECTED PARTS														Reference page									
		Fluid level	Air in hydraulic system	Outer socket ball joint swinging force	Outer socket ball joint rotating torque	Outer socket ball joint end play	Steering fluid leakage	Steering wheel play	Steering gear rack sliding force	Drive belt looseness	Improper steering wheel	Improper installation or looseness of tilt lock lever	Mounting rubber deterioration	Steering column deformation or damage	Improper installation or looseness of steering column		Steering linkage looseness	PROPELLER SHAFT	DIFFERENTIAL	AXLE and SUSPENSION	TIRES	ROAD WHEEL	DRIVE SHAFT	BRAKES	
Steering	Noise	x	x	x	x	x	x	x	x	x															PS-8
	Shake																								PS-8
	Vibration																								PS-23
	Shimmy																								PS-23
	Judder																								PS-8
																								PS-10	
																								PS-10	
																								EM-15,EM-174	
																								PS-10	
																								—	
																								PS-22	
																								PS-16	
																								PS-13	
																								PS-20	
																								NVH in PR section	
																								NVH in RFD section	
																								NVH in FAX, RAX, FSU, RSU section	
																								NVH in WT section	
																								NVH in WT section	
																								NVH in FAX section	
																								NVH in BR section	

x: Applicable

A
B
C
D
E
F
PS
H
I
J
K
L
M

POWER STEERING FLUID

POWER STEERING FLUID

PFP:KLF20

Checking Fluid Level

NGS000D5

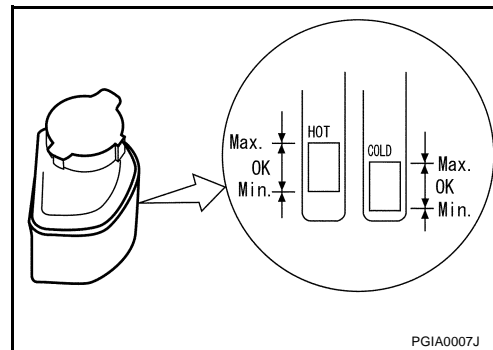
- Check fluid level with engine stopped.
- Make sure that fluid level is between MIN and MAX.
- Fluid levels at HOT and COLD are different. Do not confuse them.

HOT : Fluid temperature 50 - 80 °C (122 - 176°F)

COLD : Fluid temperature 0 - 30°C (32 - 86°F)

CAUTION:

- The fluid level should not exceed the MAX line. Excessive fluid will cause fluid leakage from the cap.
- Do not reuse drained power steering fluid.
- Recommended fluid is Genuine Nissan PSF or equivalent.



Checking Fluid Leakage

NGS000D6

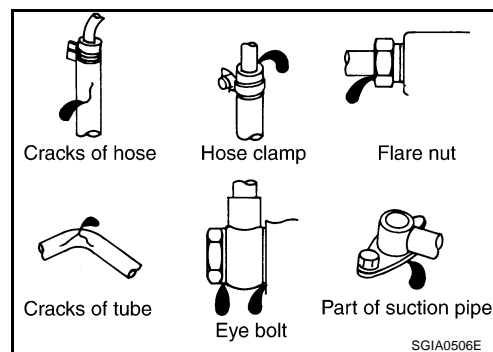
Check hydraulic connections for fluid leakage, cracks, damage, looseness, or wear.

1. Run engine until the fluid temperature reaches 50 to 80° C (122 to 176°F) in reservoir tank, and keep engine speed idle.
2. Turn steering wheel several times from full left stop to full right stop.
3. Hold steering wheel at each lock position for five seconds and carefully, check for fluid leakage.

CAUTION:

Do not hold the steering wheel in a locked position for more than 10 seconds. (There is the possibility that oil pump may be damaged.)

4. If fluid leakage at connections is noticed, then loosen flare nut and then retighten. Do not overtighten connector as this can damage O-ring, washer and connector.
5. If fluid leakage from oil pump is noticed, check oil pump. Refer to [PS-29, "POWER STEERING OIL PUMP"](#).
6. Check steering gear boots for accumulation of fluid indicating from steering gear.



Air Bleeding Hydraulic System

NGS000D7

If air bleeding is not complete, the following symptoms can be observed.

- Bubbles are created in reservoir tank.
- Clicking noise can be heard from oil pump.
- Excessive buzzing in the oil pump.

NOTE:

Fluid noise may occur in the steering gear or oil pump. This does not affect performance or durability of the system.

1. Turn steering wheel several times from full left stop to full right stop with engine off.

CAUTION:

Turn steering wheel while filling reservoir tank with fluid so as not to lower fluid level below the MIN line.

2. Start engine and hold steering wheel at each lock position for 3 seconds at idle to check for fluid leakage.
3. Repeat step 2 above several times at approximately 3 second intervals.

CAUTION:

Do not hold the steering wheel in a locked position for more than 10 seconds. (There is the possibility that oil pump may be damaged.)

4. Check fluid for bubbles and while contamination.

POWER STEERING FLUID

-
5. Stop engine if bubbles and white contamination do not drain out. Perform step 2 and 3 above after waiting until bubbles and white contamination drain out.
 6. Stop the engine, and then check fluid level.

A

B

C

D

E

F

PS

H

I

J

K

L

M

STEERING WHEEL

PFP:48430

STEERING WHEEL

On-Vehicle Inspection and Service

NGS000D8

CHECKING CONDITION OF INSTALLATION

- Check installation conditions of steering gear assembly, front suspension assembly, axle and steering column assembly.
- Check if movement exists when steering wheel is moved up and down, to the left and right and to the axial direction.

Steering wheel axial end play : 0 mm (0 in)

- Check steering gear assembly mounting bolts and nut for looseness. Refer to [PS-18, "COMPONENTS"](#) .

CHECKING STEERING WHEEL PLAY

- Turn steering wheel so that front wheels come to the straight-ahead position. Start engine and lightly turn steering wheel to the left and right until front wheels start to move. Measure steering wheel movement on the outer circumference.

Steering wheel play : 0 - 35 mm (0 - 1.38 in)

- When the measurement value is outside the standard value, check backlash for each joint of steering column assembly and installation condition of steering gear assembly.

CHECKING NEUTRAL POSITION STEERING WHEEL

- Make sure that steering gear assembly, steering column assembly and steering wheel are installed in the correct position.
- Perform neutral position inspection after wheel alignment. Refer to [FSU-6, "Wheel Alignment Inspection"](#) (2WD), [FSU-23, "Wheel Alignment Inspection"](#) (AWD).
- Set vehicle to the straight-ahead position and confirm steering wheel is in the neutral position.
- Loosen outer socket lock nut and turn inner socket to left and right equally to make fine adjustments if steering wheel is not in the neutral position.

CHECKING STEERING WHEEL TURNING FORCE

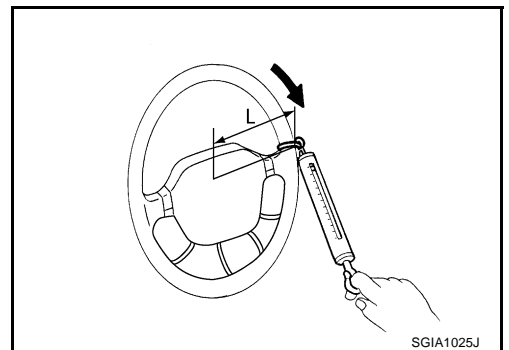
1. Park vehicle on a level and dry surface, set parking brake.
2. Start engine.
3. Bring power steering fluid up to adequate operating temperature. [Make sure temperature of fluid is approximately 50 to 80°C (122 to 176°F).]
4. Check steering wheel turning force when steering wheel has been turned 540° from neutral position.

Steering wheel turning force : 7.45 N·m (0.76 kg-m, 66 in-lb)

NOTE:

Multiply the distance (L) from the hook of spring scale to the center of steering wheel by the measurement value with a spring scale.

5. If steering wheel turning force is out of the specification, check rack sliding force and relief hydraulic pressure of oil pump. Regarding relief hydraulic pressure of oil pump, refer to [PS-29, "CHECKING RELIEF OIL PRESSURE"](#) .
 - a. Disconnect lower joint and steering knuckle from steering gear assembly. Refer to [PS-13, "COMPONENTS"](#) , [FAX-5, "COMPONENT"](#) .
 - b. Start and run engine at idle to make sure steering fluid has reached normal operating temperature.

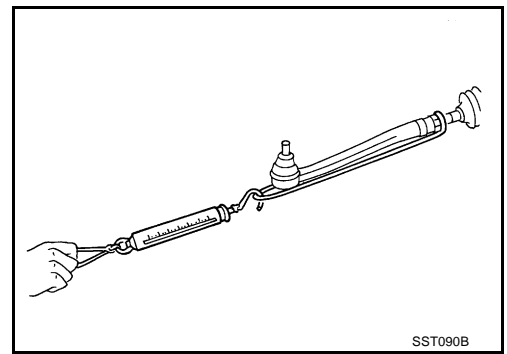


STEERING WHEEL

- c. While pulling outer socket slowly in ± 11.5 mm (± 0.453 in) range from neutral position, make sure rack sliding force is within specification.

Rack sliding force	2WD	195 - 258 N (19.9 - 26.3 kg, 44 - 58 lb)
	AWD	227 - 305 N (23.2 - 31.1 kg, 51 - 69 lb)

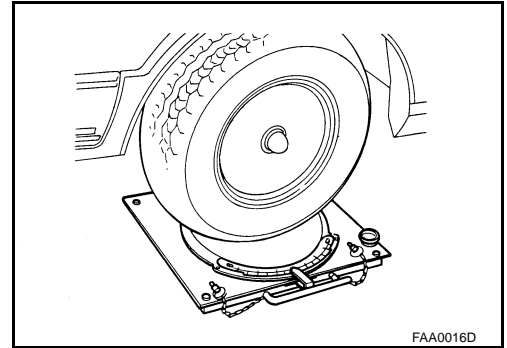
- d. If rack sliding force is not within specification, overhaul steering gear assembly.



A
B
C
D

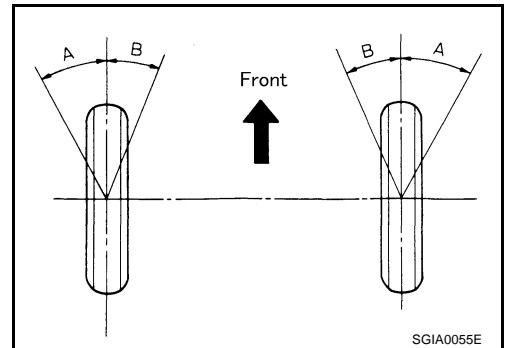
CHECKING FRONT WHEEL TURNING ANGLE

- Check front wheel turning angle after toe-in inspection. Place front wheels on turning radius gauges and rear wheels on stands. Check the maximum inner and outer wheel turning angles for LH and RH road wheels.



E
F

- With the engine at idle, turn steering wheel from full left stop to full right stop and measure the turning angles.



H
I
J
K

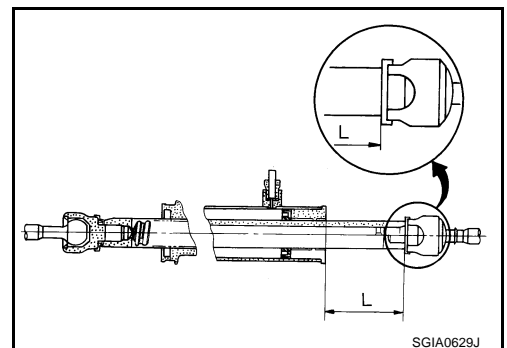
Drive type	2WD		AWD
Tire size	P245/45R18	245/40R19	245/45R18
Inner wheel (Angle: A)	Minimum	36°20' (36.3°)	39°45' (39.8°)
	Nominal	39°20' (39.3°)	42°45' (42.8°)
	Maximum	40°20' (40.3°)	43°45' (43.8°)
Outer wheel (Angle: B)	Nominal	33°25' (33.4°)	32°30' (32.5°)

L
M

- Measure rack stroke if angles are outside the specified value.

Drive type	2WD	AWD
Rack stroke "L"	68.5 mm (2.697 in)	67.0 mm (2.638 in)

- Disassemble steering gear assembly to check the cause that rack stroke is outside of the standard.
- Steering angles are not adjustable. Check steering gear assembly, steering column assembly and front suspension components for wear or damage if any of the turning angles are different from the specified value. Replace any of them, if any non-standard condition exists.



STEERING WHEEL

NGS000D9

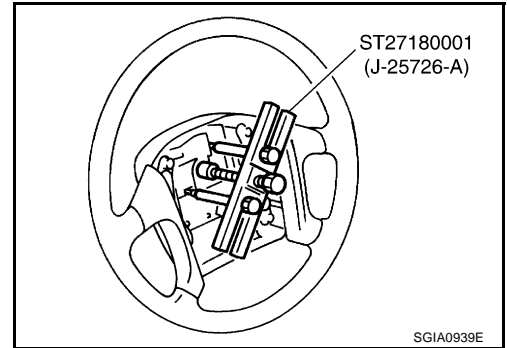
Removal and Installation

REMOVAL

NOTE:

When reconnecting spiral cable, fix cable with a tape so that fixing case and rotating part keep aligned. This will omit neutral position alignment procedure during spiral cable installation.

1. Set vehicle to the straight-ahead position.
2. Remove driver air bag module. Refer to [SRS-38, "DRIVER AIR BAG MODULE"](#) .
3. Remove steering wheel lock nut after steering is locked.
4. Remove steering wheel with the steering wheel puller [SST].



INSTALLATION

Reverse the removal procedure for installation attentive to the following operation.

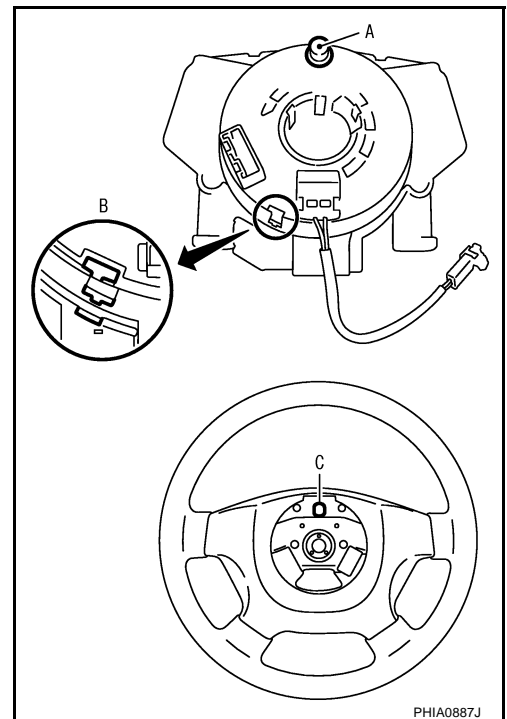
NOTE:

- The neutral position is set as follows.
Turn quietly the spiral cable clockwise to the end position. Then turn it counterclockwise (about 2 and half turns) and stop turning at the point on which the stopper insertion holes are in the same position (showed as B in the figure). The service part is installed in the neutral position by the stopper and can be set without adjusting after the stopper is removed.

CAUTION:

Do not run spiral cable idle needlessly. And do not turn it more than necessary (or it leads to disconnection of the cable).

- Adjust the spiral cable locating pin (showed as A in the figure) to the steering wheel locating pin hole (showed as C in the figure).



STEERING COLUMN

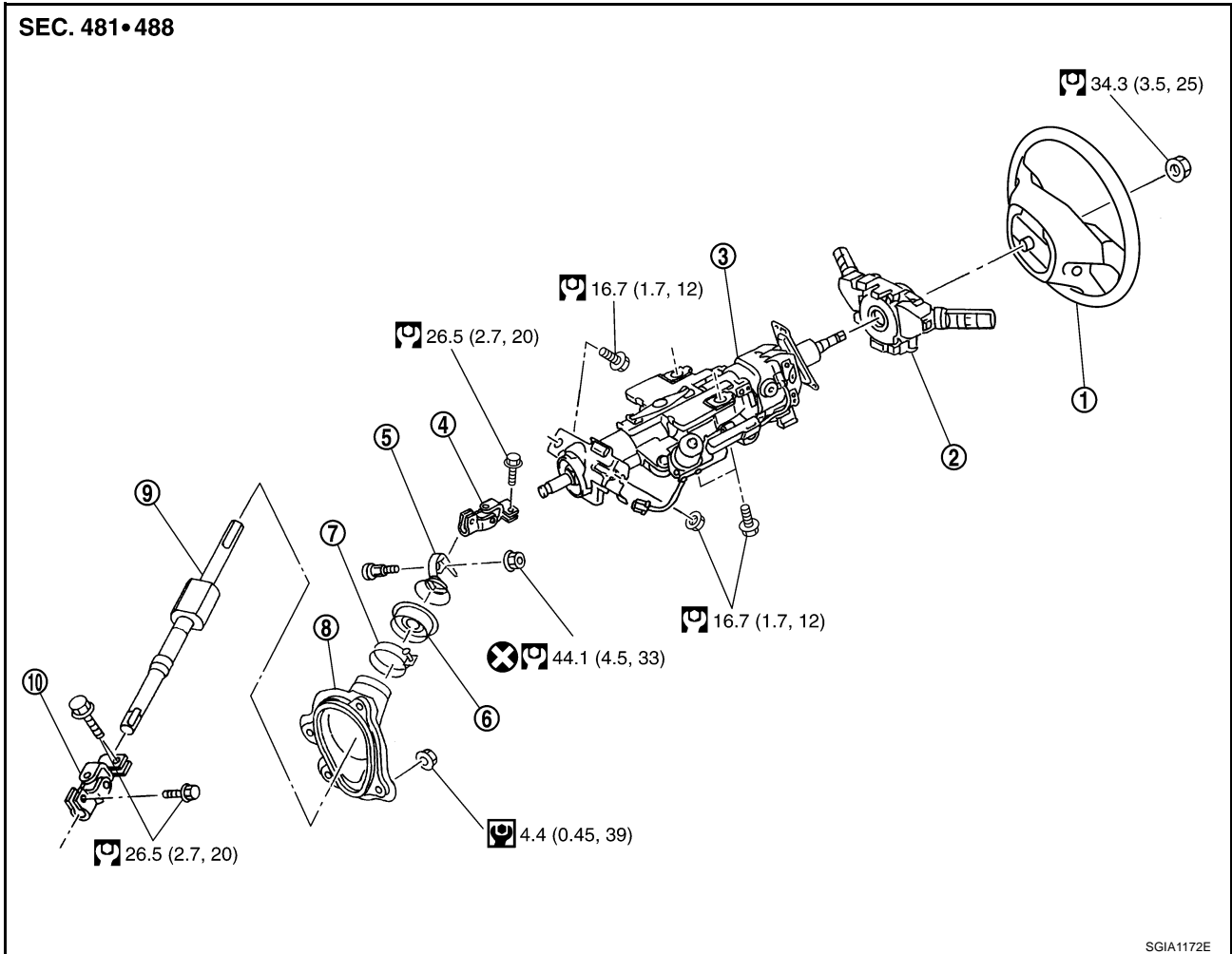
STEERING COLUMN

PFP:48810

Removal and Installation COMPONENTS

NGS000DA

A
B
C
D
E
F
PS
H
I
J
K
L
M



- | | | |
|-------------------|--------------------------------------|-----------------------------|
| 1. Steering wheel | 2. Combination switch & spiral cable | 3. Steering column assembly |
| 4. Upper joint | 5. Collar | 6. Hole cover seal |
| 7. Clamp | 8. Hole cover | 9. Lower shaft |
| 10. Lower joint | | |

Refer to [GI-11, "Components"](#), for the symbols in the figure.

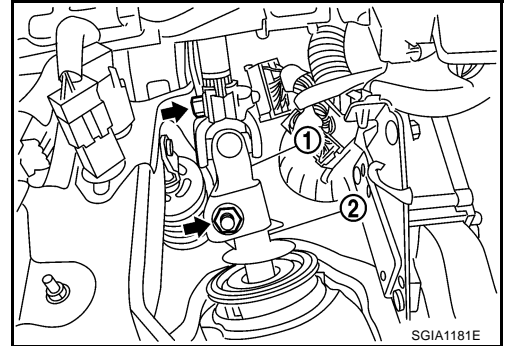
CAUTION:

- Do not give axial impact to steering column assembly during removal and installation.
- Do not move steering gear assembly when removing steering column assembly.

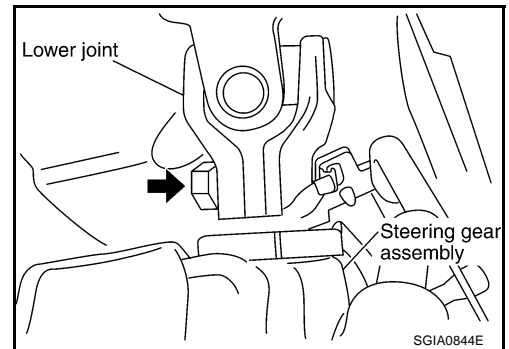
STEERING COLUMN

REMOVAL OF UPPER JOINT, COLLAR, HOLE COVER SEAL, HOLE COVER, LOWER SHAFT AND LOWER JOINT

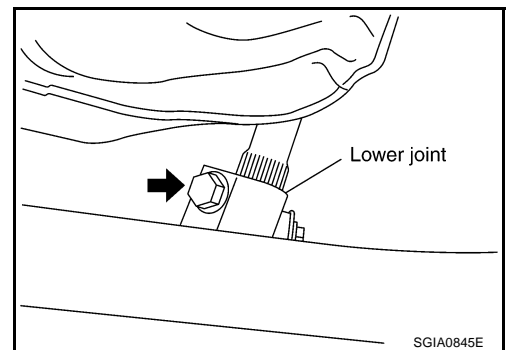
1. Set vehicle to the straight ahead-position.
2. Remove fixing bolts and nut of upper joint (1), then remove upper joint (1), collar (2) from lower shaft and steering column assembly.
3. Raise vehicle.



4. Remove lower side fixing bolt of lower joint.



5. Remove upper side fixing bolt of lower joint, then remove lower joint from lower shaft and steering gear assembly.
6. Remove lower shaft from vehicle.
7. Lowering vehicle.
8. Loosen clamp, and then remove hole cover seal from hole cover.
9. Remove mounting nuts of hole cover, and then remove clamp and hole cover from dash panel.



INSPECTION AFTER REMOVAL

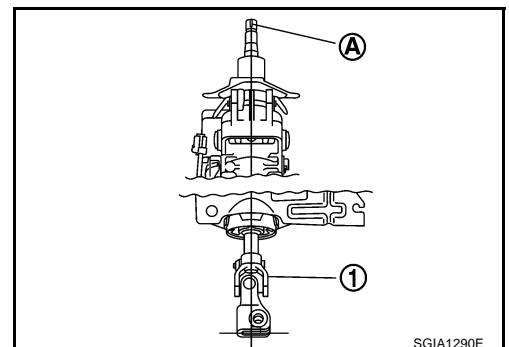
Check each part of upper joint, collar, hole cover seal, hole cover, lower shaft and lower joint for damage or other malfunctions. Replace if there are.

INSTALLATION OF UPPER JOINT, COLLAR, HOLE COVER SEAL, HOLE COVER, LOWER SHAFT AND LOWER JOINT

- Installation is the reverse order of removal. For tightening torque, refer to [PS-13, "COMPONENTS"](#).
- When installing upper joint, the angle which upper joint yoke (1) forms with shaft center groove (A) should be at 90°.
- When installing lower joint to steering gear assembly, follow the procedure listed below.
- Set rack of steering gear in the neutral position.

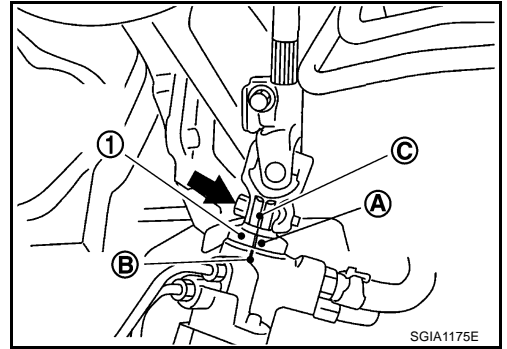
NOTE:

To get the neutral position of rack, turn gear-sub assembly and measure the distance of inner socket, and then measure the intermediate position of the distance.



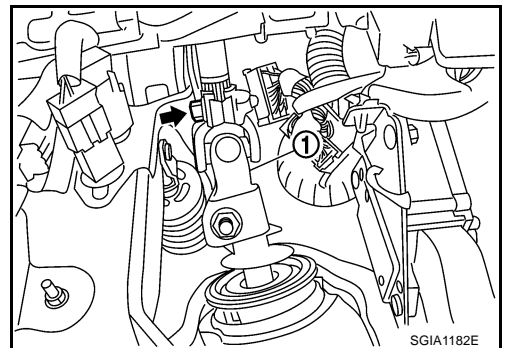
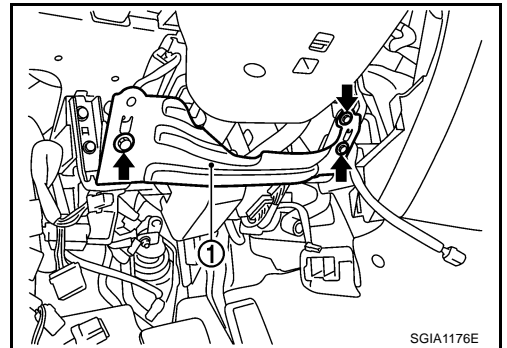
STEERING COLUMN

- Align rear cover cap projection (A) with the marking position (B) of gear housing assembly.
- Install slit part of lower joint (C) aligning with the projection (A) of rear cover cap (1). Make sure that the slit part of lower joint (C) is aligned with both the projection (A) of rear cover cap (1) and the marking position (B) of gear housing assembly.
- Adjust neutral position of steering angle sensor. Refer to [BRC-6, "Adjustment of Steering Angle Sensor Neutral Position"](#).



REMOVAL OF STEERING COLUMN ASSEMBLY

1. Set vehicle to the straight-ahead position.
2. Remove driver air bag module. Refer to [SRS-38, "DRIVER AIR BAG MODULE"](#).
3. Remove steering wheel. Refer to [PS-12, "Removal and Installation"](#).
4. Remove steering column cover. Refer to [IP-10, "INSTRUMENT PANEL ASSEMBLY"](#).
5. Remove combination switch & spiral cable. Refer to [SRS-40, "SPIRAL CABLE"](#).
6. Remove instrument driver lower panel. Refer to [IP-10, "INSTRUMENT PANEL ASSEMBLY"](#).
7. Remove fixing bolts of knee protector (1), then remove knee protector (1) from vehicle.
8. Remove low tire pressure warning control unit. Refer to [WT-40, "Low Tire Pressure Warning Control Unit"](#).
9. Disconnect each switch connectors installed to steering column assembly, and then disconnect harness from steering column assembly.
10. Remove fixing bolt of upper joint (1) (steering column assembly side).
11. Remove steering column assembly mounting bolts and nut, then remove steering column assembly from vehicle.

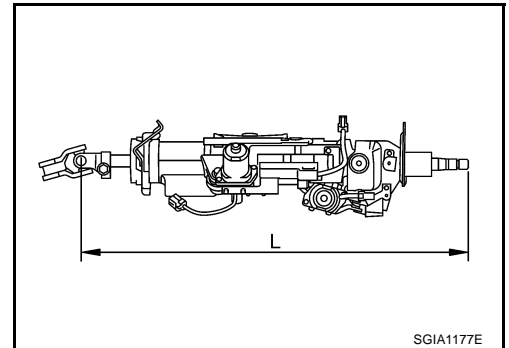


A
B
C
D
E
F
PS
H
I
J
K
L
M

STEERING COLUMN

INSPECTION AFTER REMOVAL

- Check each part of steering column assembly for damage or other malfunctions. Replace if there are.
- Measure the length "L" as shown in the figure if vehicle has been involved in a minor collision. Replace steering column assembly if outside the standard.



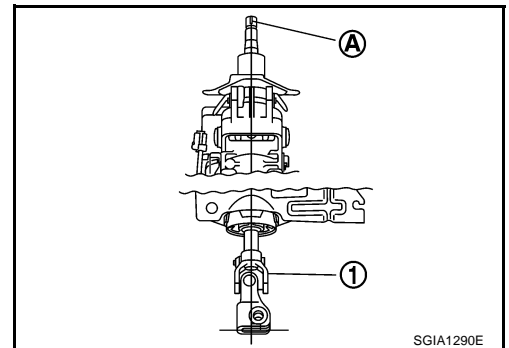
Steering column length "L"	Telescopic maximum	551 - 555 mm (21.69 - 21.85 in)
	Telescopic minimum	591 - 595 mm (23.27 - 23.43 in)

- Measure steering column rotating torque using preload gauge. Replace steering column assembly if outside the standard.

Rotating torque : 0 - 0.2 N·m (0 - 0.02 kg·m, 0 - 1 in·lb)

INSTALLATION OF STEERING COLUMN ASSEMBLY

- Installation is the reverse order of removal. For tightening torque, refer to [PS-13, "COMPONENTS"](#) .
- When installing upper joint, the angle which upper joint yoke (1) forms with shaft center groove (A) should be at 90°.
- Adjust neutral position of steering angle sensor. Refer to [BRC-6, "Adjustment of Steering Angle Sensor Neutral Position"](#) .



INSPECTION AFTER INSTALLATION

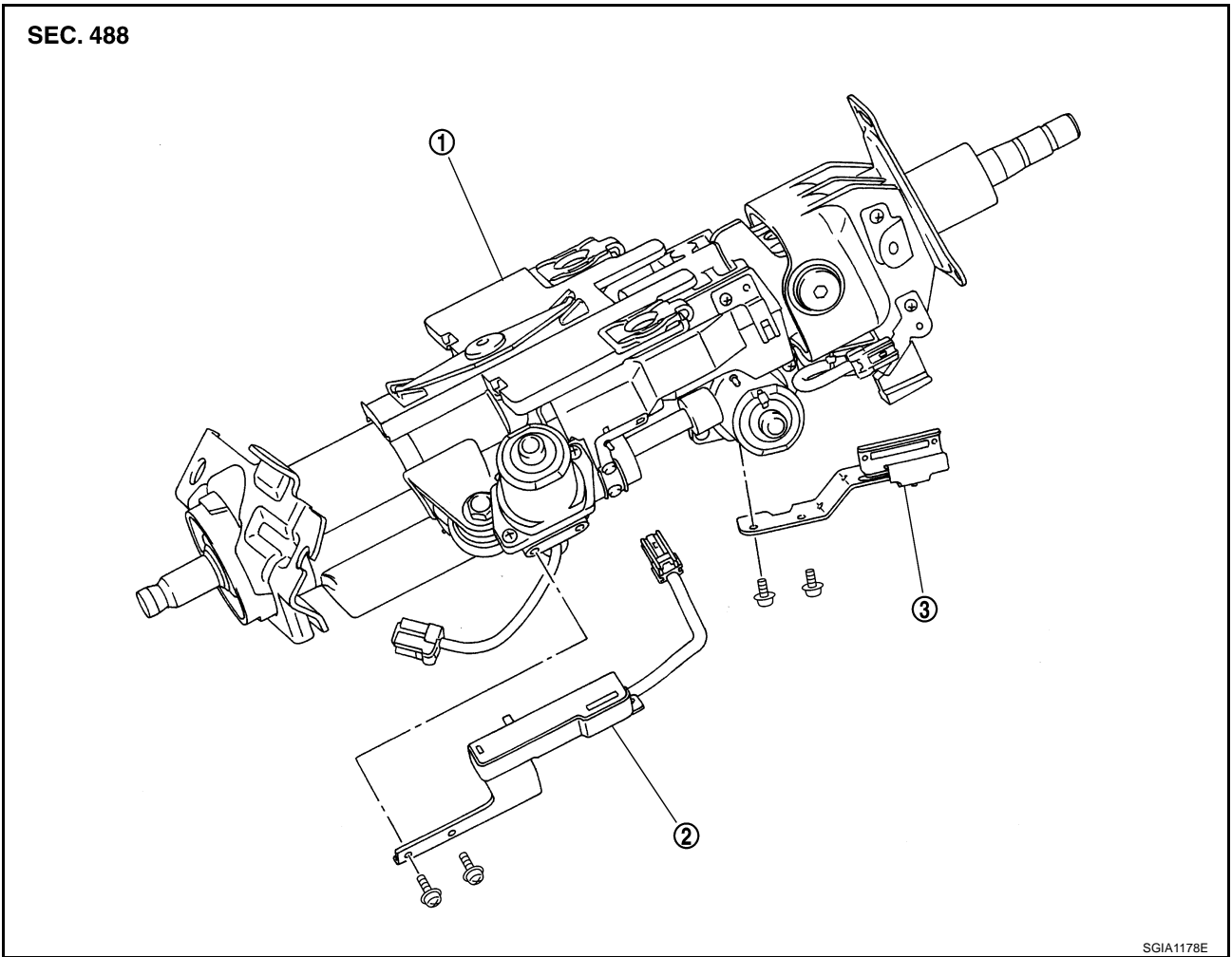
Make sure that steering wheel operates smoothly by turning several times from full left stop to full right stop.

STEERING COLUMN

Disassembly and Assembly COMPONENTS

NGS000DB

A
B
C
D
E
F
PS
H
I
J
K
L
M



- 1. Steering column assembly
- 2. Telescopic sensor
- 3. Tilt sensor

DISASSEMBLY

1. Remove fixing screws of telescopic sensor, and then remove telescopic sensor from steering column assembly.
2. Remove fixing screws of tilt sensor, and then remove tilt sensor from steering column assembly.

INSPECTION AFTER DISASSEMBLY

Check component parts for damage or other malfunctions. Replace if there are.

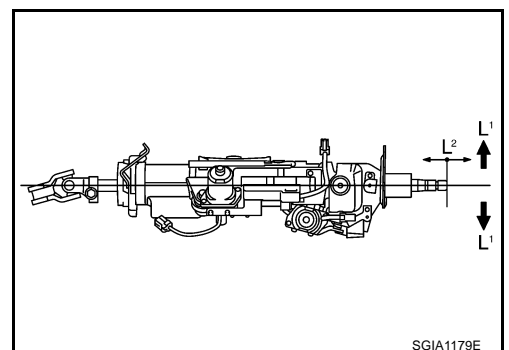
ASSEMBLY

Assembly is the reverse order of disassembly. For tightening torque, refer to [PS-17, "COMPONENTS"](#).

INSPECTION AFTER ASSEMBLY

Check tilt and telescopic mechanism operating range "L¹", "L²" as shown in the figure.

- Tilt operating range "L¹" : 37.5 mm (1.476 in)
- Telescopic operating range "L²" : 40 mm (1.57 in)



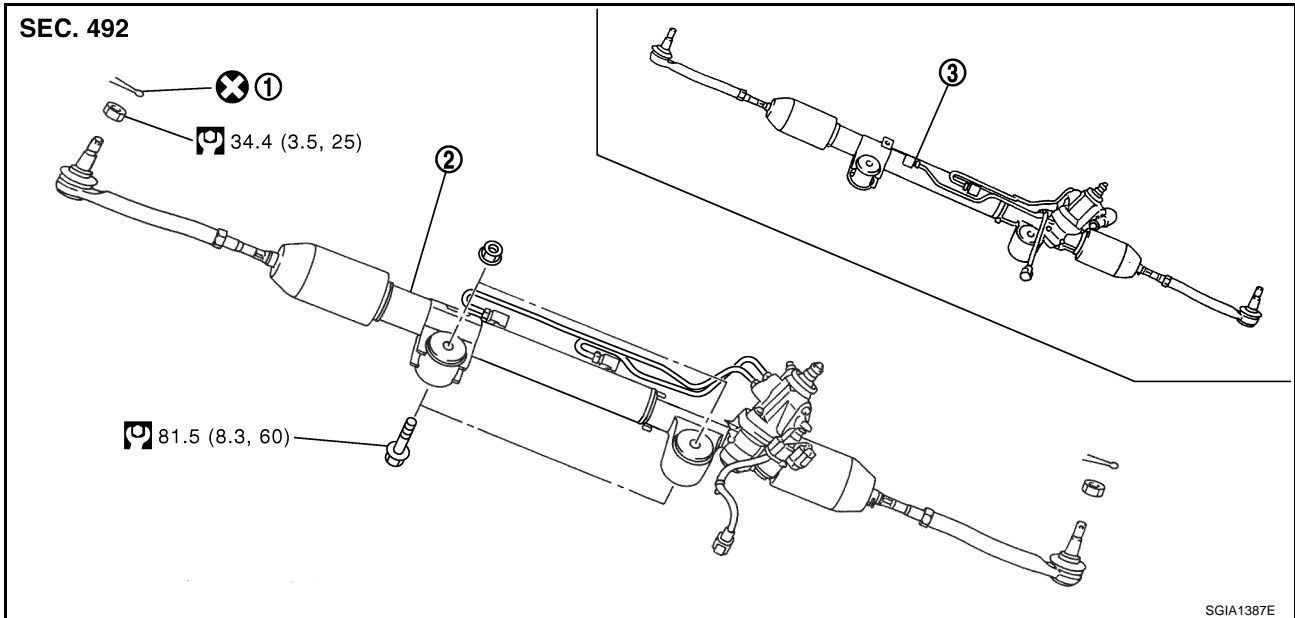
POWER STEERING GEAR

PFP:49001

NGS000DC

POWER STEERING GEAR

Removal and Installation COMPONENTS



1. Cotter pin
2. Steering gear assembly
3. Steering gear assembly (AWD models)

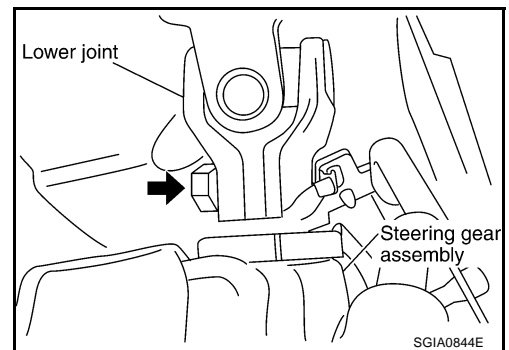
Refer to [GI-11, "Components"](#), for the symbols in the figure.

CAUTION:

Spiral cable may be cut if steering wheel turns while separating steering column assembly and steering gear assembly. Be sure to secure steering wheel using string to avoid turning.

REMOVAL

1. Set vehicle to the straight-ahead position.
2. Remove tires from vehicle with a power tool.
3. Remove undercover from vehicle with a power tool.
4. Remove lower side fixing bolt of lower joint.

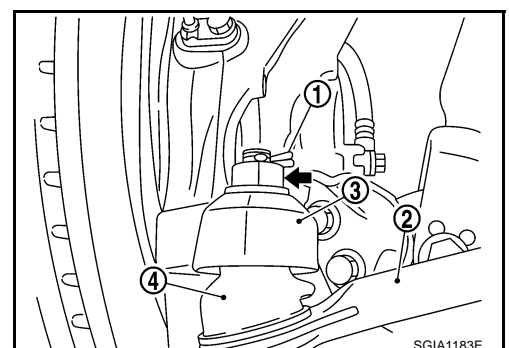


5. Remove cotter pin (1), and then loosen the nut.
6. Remove steering outer socket (2) from steering knuckle (3) so as not to damage ball joint boot (4) using the ball joint remover [suitable tool].

CAUTION:

Temporarily tighten the nut to prevent damage to threads and to prevent the ball joint remover [suitable tool] from suddenly coming off.

7. Remove high and low pressure piping of hydraulic piping, and then drain power steering fluid. Refer to [PS-38, "HYDRAULIC LINE"](#).



POWER STEERING GEAR

8. Remove steering hydraulic piping bracket from front suspension member. Refer to [PS-38, "HYDRAULIC LINE"](#) .
9. Remove EPS solenoid valve harness connector. Refer to [PS-20, "COMPONENTS"](#) .
10. Remove rack stay (2WD) or front cross bar (AWD). Refer to [FSU-8, "Components"](#) , [FSU-25, "Components"](#) .
11. Remove mounting bolts and nuts of steering gear assembly, and then remove steering gear assembly from vehicle.

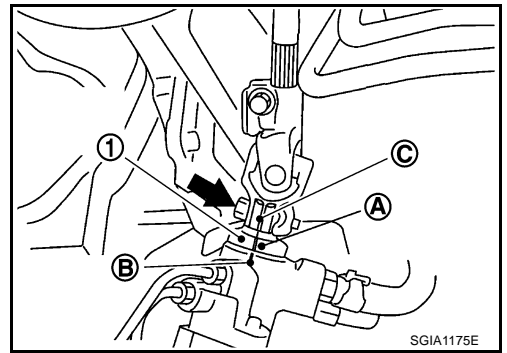
INSTALLATION

- Installation is the reverse order of removal. For tightening torque, refer to [PS-18, "COMPONENTS"](#) .
- When installing lower joint to steering gear assembly, follow the procedure listed below.
- Set rack of steering gear in the neutral position.

NOTE:

To get the neutral position of rack, turn gear-sub assembly and measure the distance of inner socket, and then measure the intermediate position of the distance.

- Align rear cover cap projection (A) with the marking position (B) of gear housing assembly.
- Install slit part of lower joint (C) aligning with the projection (A) of rear cover cap (1). Make sure that the slit part of lower joint (C) is aligned with both the projection (A) of rear cover cap (1) and the marking position (B) of gear housing assembly.
- After installation, bleed air from the steering hydraulic system. Refer to [PS-8, "Air Bleeding Hydraulic System"](#) .
- Perform final tightening of nuts and bolts on each part under unladen conditions with tires on level ground when removing steering gear assembly. Check wheel alignment. Refer to [FSU-6, "Wheel Alignment Inspection"](#) , [FSU-23, "Wheel Alignment Inspection"](#) .
- Adjust neutral position of steering angle sensor after checking wheel alignment. Refer to [BRC-6, "Adjustment of Steering Angle Sensor Neutral Position"](#) .



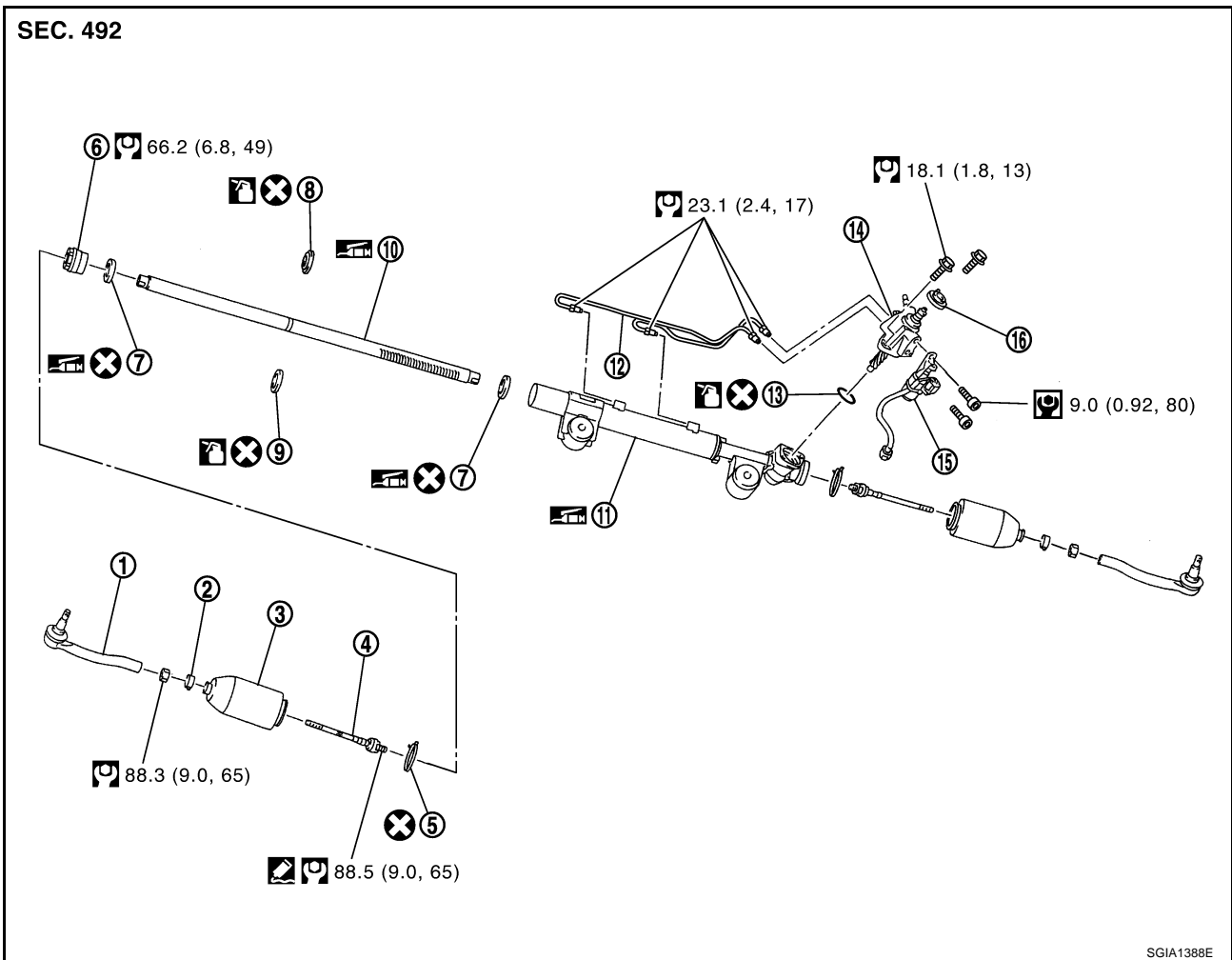
INSPECTION AFTER INSTALLATION

Make sure that steering wheel operates smoothly by turning several times from full left stop to full right stop.

POWER STEERING GEAR

NGS000DD

Disassembly and Assembly COMPONENTS



- | | | |
|--------------------|--------------------------------|------------------------|
| 1. Outer socket | 2. Boot clamp | 3. Boot |
| 4. Inner socket | 5. Boot clamp (stainless wire) | 6. End cover assembly |
| 7. Rack oil seal | 8. Rack Teflon ring | 9. O-ring |
| 10. Rack assembly | 11. Gear housing assembly | 12. Cylinder tubes |
| 13. O-ring | 14. Gear-sub assembly | 15. EPS solenoid valve |
| 16. Rear cover cap | | |

Refer to [GI-11, "Components"](#), and the followings for the symbols in the figure.

: Apply power steering fluid.

: Apply Genuine Liquid Gasket, Three Bound 1111B or equivalent.

: Apply multi-purpose grease.

CAUTION:

- Disassemble and assemble steering gear assembly by securing the mounting area in a vise using copper plates.
- Clean steering gear assembly with kerosene before disassembling. Be careful to avoid splashing or applying any kerosene over connector of discharge port or return port.

POWER STEERING GEAR

DISASSEMBLY

1. Remove fixing bolts of EPS solenoid valve, and then remove EPS solenoid valve from gear-sub assembly.
2. Remove cylinder tubes from gear housing assembly.
3. Remove rear cover cap from gear-sub assembly.
4. Measure adjusting screw height "H", and loosen adjusting screw.

CAUTION:

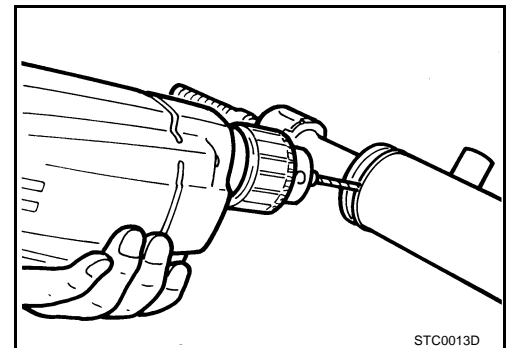
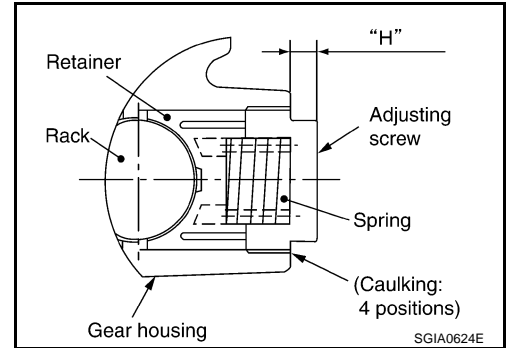
- Do not loosen adjusting screw 2 turns or more.
- Replace steering gear assembly if adjusting screw is loosened 2 turns or more and it is removed.

5. Remove fixing bolts of gear-sub assembly, and then remove gear-sub assembly from gear housing assembly.
6. Remove O-ring from gear housing assembly.
7. Loosen outer socket lock nut, and remove outer socket.
8. Remove boot clamp, and then remove boot from inner socket.

CAUTION:

Do not damage inner socket and gear housing assembly when removing boot. Inner socket and gear housing assembly must be replaced if inner socket and gear housing assembly are damaged because it may cause foreign material interfusion.

9. Remove inner socket from gear housing assembly.
10. Drill out the clinching part of gear housing assembly (end cover assembly side) outer rim with a 3 mm (0.12 in) drill bit. [Drill for approximately 1.5 mm (0.059 in) depth.]



11. Remove end cover assembly with a 36 mm (1.42 in) open head (suitable tool).

CAUTION:

Do not damage rack assembly surface when removing. Rack assembly must be replaced if damaged because it may cause fluid leakage.

12. Pull rack assembly together with rack oil seal (outer side) out from gear housing assembly.

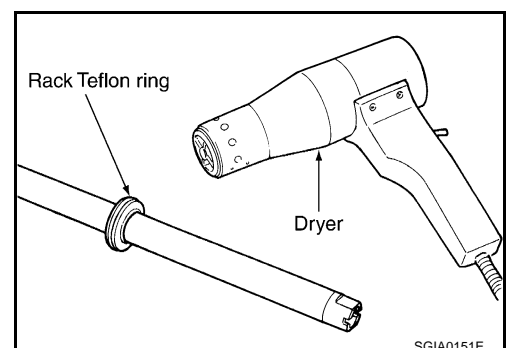
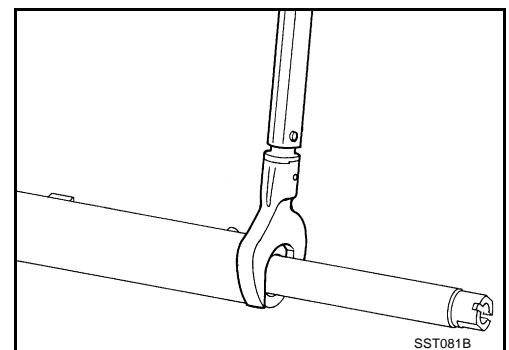
CAUTION:

Do not damage cylinder inner wall when removing rack assembly. Gear housing assembly must be replaced if damaged because it may cause fluid leakage.

13. Heat rack Teflon ring to approximately 40°C (104°F) with a dryer, and remove rack Teflon ring and O-ring from rack assembly.

CAUTION:

Do not damage rack assembly. Rack assembly must be replaced if damaged because it may cause fluid leakage.



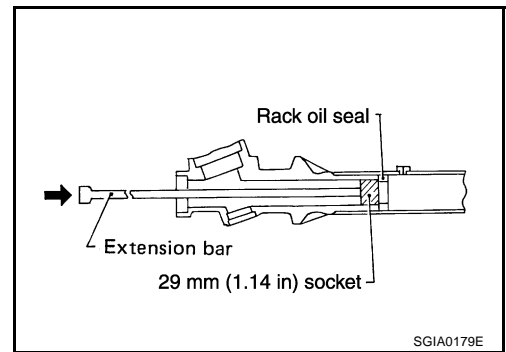
A
B
C
D
E
F
PS
H
I
J
K
L
M

POWER STEERING GEAR

14. Push rack oil seal inside with a 29 mm (1.14 in) socket and an extension bar to push out rack oil seal (inner side) from gear housing assembly.

CAUTION:

Do not damage gear housing assembly and cylinder inner wall. Gear housing assembly must be replaced if damaged because it may cause fluid leakage.



INSPECTION AFTER DISASSEMBLY

Boot

Check boot for cracks. Replace if there are.

Rack Assembly

Check rack for damage or wear. Replace if there are.

Gear-Sub Assembly

- Check pinion gear for damage or wear. Replace if there are.
- Rotate pinion and check for torque variation or rattle. Replace if there are.

Gear Housing Assembly

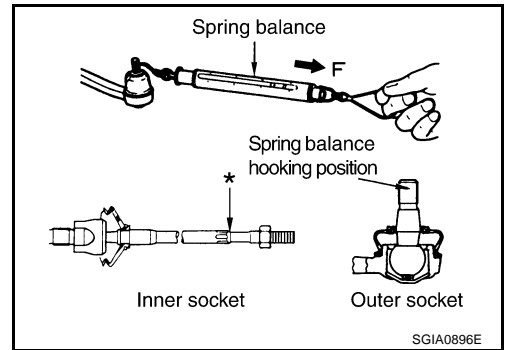
Check gear housing assembly for damage and scratches (inner wall). Replace if there are.

POWER STEERING GEAR

Outer Socket and Inner Socket

1. Ball joint swinging torque

- Hook a spring balance at the point shown in the figure and pull the spring balance. Make sure that the spring balance reads the specified value when ball stud and inner socket start to move. Replace outer socket and steering gear assembly if they are outside the standard.

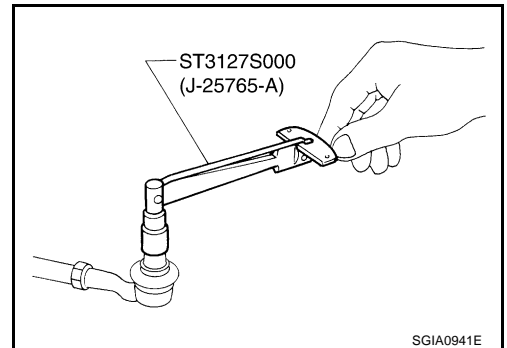


Items	Outer socket	Inner socket
Measuring point of spring balance	Stud cotter pin mounting hole	Measuring point at *mark shown in the figure
Swinging torque	0.3 - 2.9 N·m (0.03 - 0.29 kg·m, 3.0 - 25 in·lb)	1.0 - 7.8 N·m (0.11 - 0.79 kg·m, 9.0 - 69 in·lb)
Spring balance measurement	4.81 - 45.7 N (0.5 - 4.7 kg, 1.1 - 10.4 lb)	8.9 - 64 N (0.9 - 6.5 kg, 2.0 - 14.3 lb)

2. Ball joint rotating torque

- Make sure that the reading is within the following specified range using the preload gauge [SST]. Replace outer socket if the reading is outside the specified value.

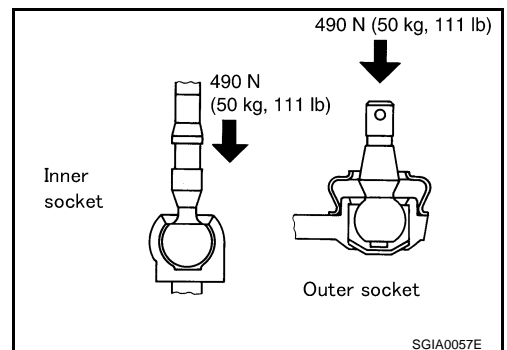
Outer socket rotating torque	0.3 - 2.9 N·m (0.03 - 0.29 kg·m, 3.0 - 25 in·lb)
------------------------------	--



3. Ball joint axial end play

- Apply an axial load of 490 N (50 kg, 111 lb) to ball stud using a dial gauge. Measure amount of stud movement, and then make sure that the value is within the following specified range. Replace outer socket and inner socket if the measured value is outside the standard.

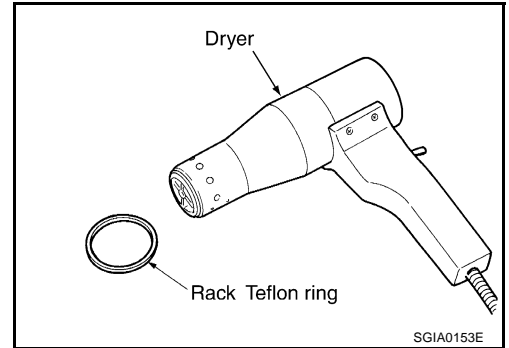
Outer socket	0.5 mm (0.020 in) or less
Inner socket	0.2 mm (0.008 in) or less



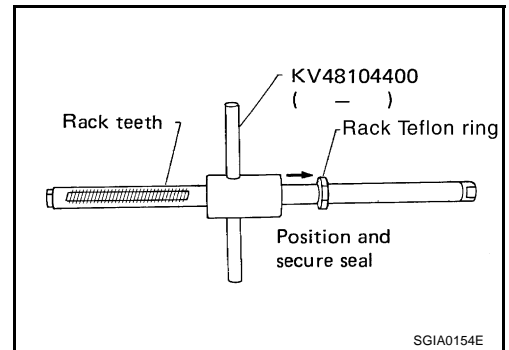
POWER STEERING GEAR

ASSEMBLY

1. Apply power steering fluid to O-ring. Put an O-ring into rack Teflon ring.
2. Heat rack Teflon ring to approximately 40°C (104°F) with a dryer. Assemble it to mounting groove of rack assembly.



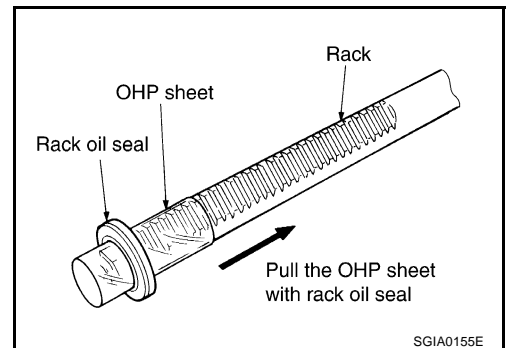
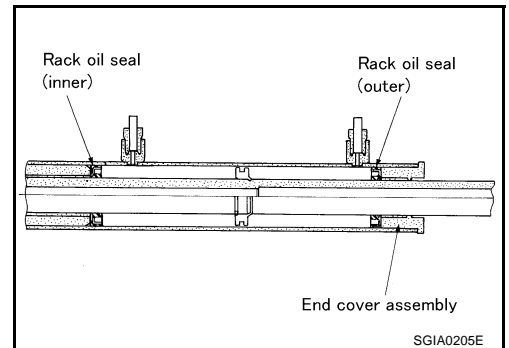
3. Install the Teflon ring correcting tool [SST] from tooth side of rack to fit rack Teflon ring on rack. Compress the ring with tool.



4. Apply multi-purpose grease to rack oil seal. And install rack oil seal in the following procedure. Then assemble rack assembly to gear housing assembly.

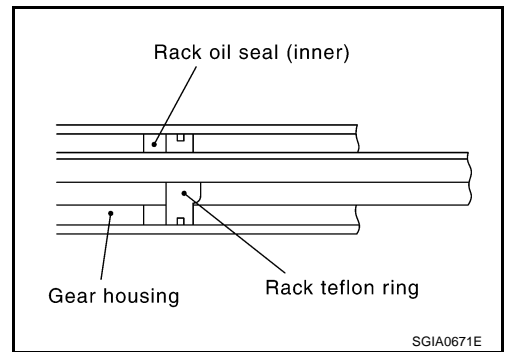
CAUTION:

- Install rack oil seal in a direction so that the lip of inner oil seal and the lip of outer oil seal face each other.
 - Do not damage retainer sliding surface by rack assembly. Replace gear housing assembly if damaged.
 - Do not damage gear housing assembly inner wall by rack assembly. Gear housing assembly must be replaced if damaged because it may cause fluid leakage.
- a. Wrap an OHP sheet [approximately 70 mm (2.76 in) × 100 mm (3.94 in)]. Around rack assembly teeth to avoid damaging rack oil seal (inner). Install rack oil seal over sheet. Then, pull oil seal along with OHP sheet until they pass rack assembly teeth, and remove OHP sheet.

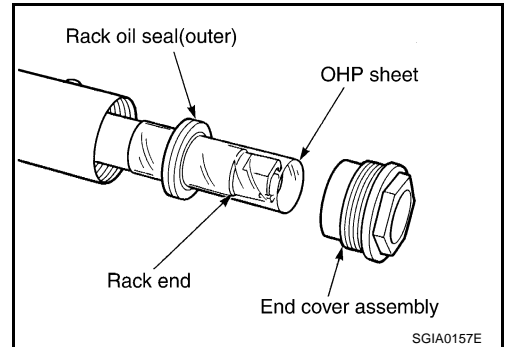


POWER STEERING GEAR

- b. Insert rack oil seal (inner) into rack assembly piston (rack Teflon ring).
- c. Push retainer to adjusting screw side by hand, and move the rack assembly inside the gear housing assembly so that the rack oil seal (inner) can be pressed against the gear housing assembly.



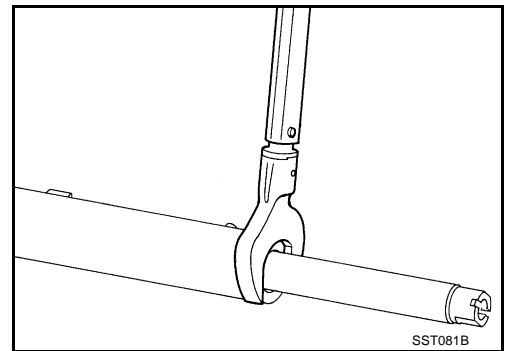
- d. Wrap an OHP sheet [approximately 70 mm (2.76 in) × 100 mm (3.94 in)]. Around the edge to avoid damaging rack oil seal (outer). Install rack oil seal over sheet. Then, pull oil seal along with OHP sheet until they pass rack edge, and remove OHP sheet.
- e. Install end cover assembly to rack edge, and move rack oil seal (outer) until it contacts with gear housing assembly.



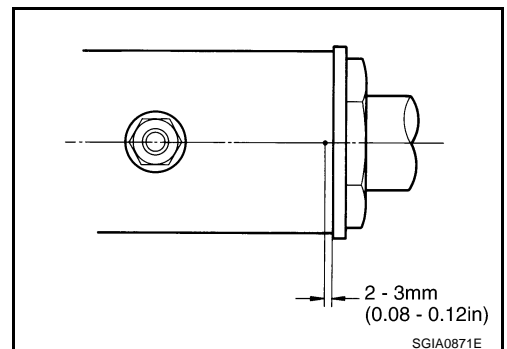
5. Tighten end cover assembly to specified torque using a 36 mm (1.42 in) open head (suitable tool).

CAUTION:

Do not damage rack assembly. Replace it if damaged because it may cause fluid leakage.



6. Crimp gear housing assembly at one point using a punch as shown in the figure so as to prevent end cover assembly from getting loose after tightening end cover assembly.
7. Apply power steering fluid to O-ring, and then install O-ring to gear housing assembly.
8. Install gear-sub assembly to gear housing assembly.
9. Install EPS solenoid valve to gear-sub assembly.



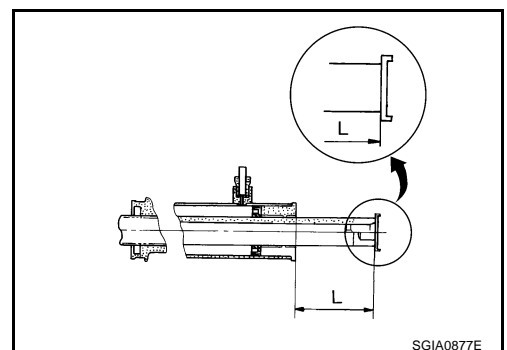
10. Decide on the neutral position for the rack.

Drive type	2WD	AWD
Rack stroke "L"	68.5 mm (2.697 in)	67.0 mm (2.638 in)

11. Install rear cover cap to gear sub-assembly.

CAUTION:

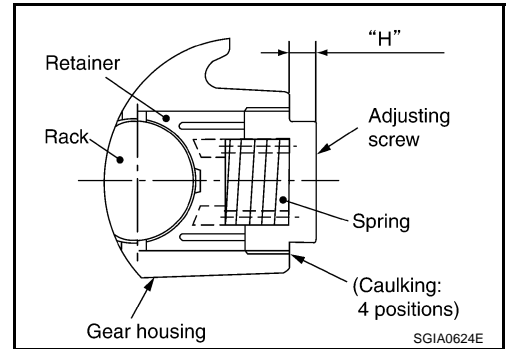
Make sure that the projection of rear cover cap is aligned with the marking position of gear housing assembly.



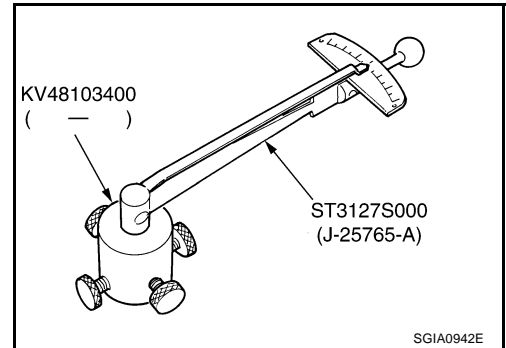
A
B
C
D
E
F
PS
H
I
J
K
L
M

POWER STEERING GEAR

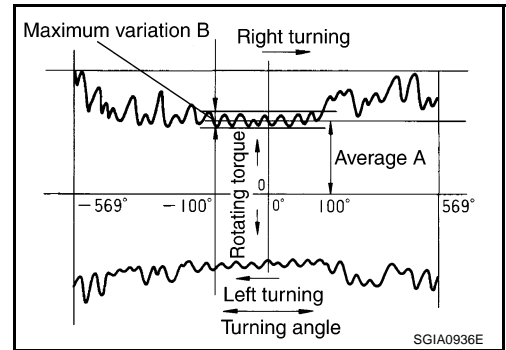
12. Apply Genuine Liquid Gasket, Three Bound 1111B or equivalent to the thread (2 turns thread), and then screw in the adjusting screw until it reaches height "H" from gear housing assembly measured before disassembling.
13. Move rack assembly 10 strokes throughout the full stroke so that the parts can fit with each other.



14. Measure pinion rotating torque within $\pm 180^\circ$ of neutral position of the rack assembly using the preload gauge [SST] and preload adapter [SST]. Stop the gear at the point where highest torque is read.
15. Loosen adjusting screw and retighten to 5.4 N·m (0.55 kg-m, 48 in-lb), and then loosen by 20 to 40°.

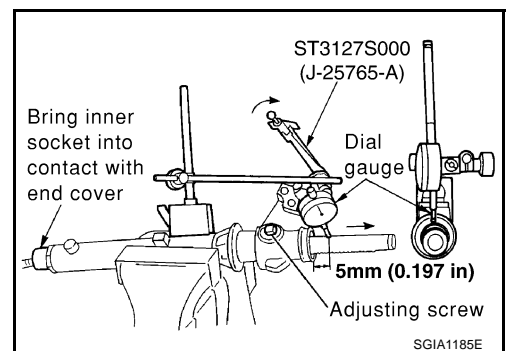


16. Measure pinion rotating torque using the preload adapter [SST] and preload gauge [SST] to make sure that the measured value is within the standard. Readjust if the value is outside the standard. Replace steering gear assembly if the value is outside the standard after readjusting or adjusting screw rotating torque is 5 N·m (0.51 kg-m, 44 in-lb) or less.



Pinion rotating torque standard	2WD	AWD
Around neutral position (within $\pm 100^\circ$) Average A	1.95 - 2.58 N·m (0.20 - 0.26 kg-m, 18 - 22 in-lb)	2.27 - 3.05 N·m (0.24 - 0.31 kg-m, 20 - 26 in-lb)
Maximum variation B	0.98 N·m (0.10 kg-m, 9.0 in-lb)	

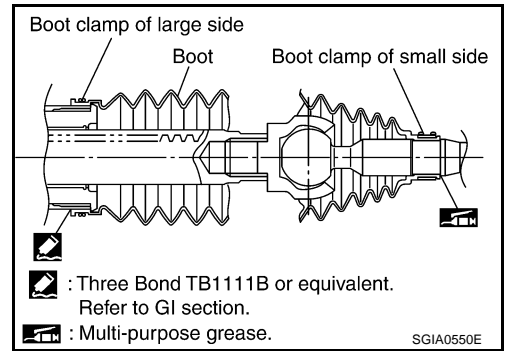
17. Apply Genuine Liquid Gasket, Three Bound 1111B or equivalent to inner socket and turn pinion fully to left with inner socket installed to gear housing assembly.
18. Set dial gauge as shown in the figure. Measure vertical movement of rack assembly when pinion is turned clockwise with torque of 19.6 N·m (2.0 kg-m, 14 ft-lb). Readjust adjusting screw angle if the measured value is outside the standard. Replace steering gear assembly if the measured value is still outside the standard or adjusting screw rotating torque is 5 N·m (0.51 kg-m, 44 in-lb) or less.



POWER STEERING GEAR

Measuring point	Rack axial direction	5 mm (0.20 in) from housing end surface
	Rack radial direction	Axial direction of the adjusting screw
Vertical movement	0.265 mm (0.0104 in)	

19. Install large end of boot to gear housing assembly.
20. Install small end of boot to inner socket boot mounting groove.
21. Install boot clamp to boot small end.

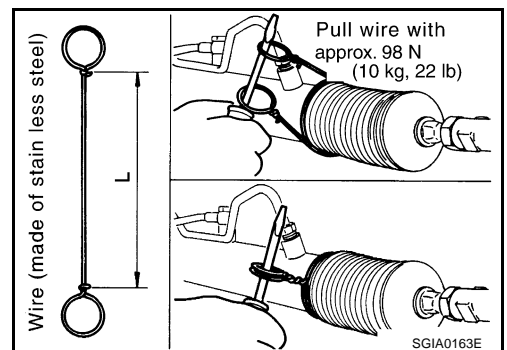


22. Install large side of boot clamp.

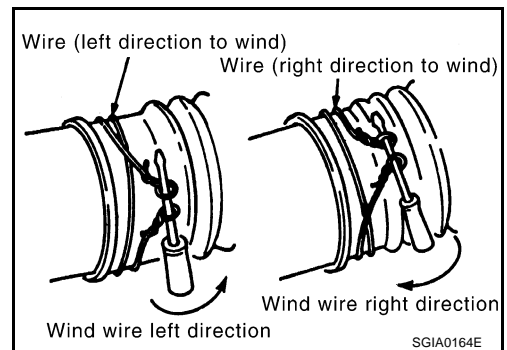
- Tighten large side of boot with boot clamp (stainless wire).

Wire length "L" : 370 mm (14.57 in)

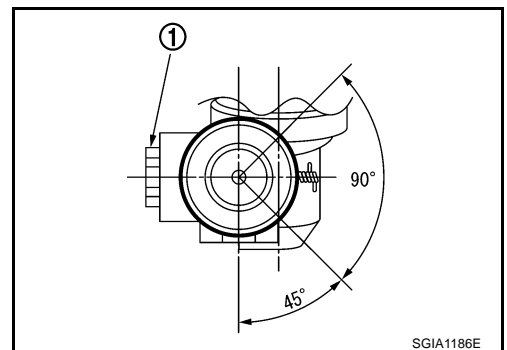
- Wrap clamp around boot groove for two turns. Insert a flat-bladed screwdriver in loops on both ends of wire. Twist 4 to 4.5 turns while pulling them with force of approximately 98 N (10 kg, 22 lb).



- Twist boot clamp as shown. Pay attention to relationship between winding and twisting directions.



- Twisted point of clamp is in the opposite side of adjusting screw (1) as shown in the figure (to prevent contact with other parts).



A
B
C
D
E
F
PS
H
I
J
K
L
M

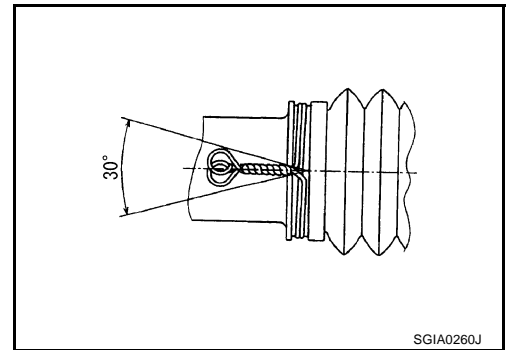
POWER STEERING GEAR

- Bent cut end of the wire toward rack axial as shown in the figure after twisting the wire 4 to 4.5 turns so that cut end does not contact with boot.

CAUTION:

Keep gap from cylinder tube 5 mm (0.20 in) or more.

23. Install cylinder tubes to gear housing assembly.

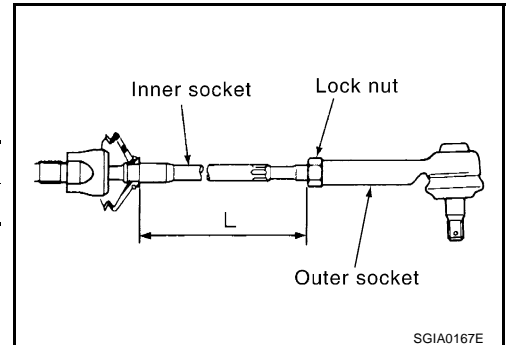


24. Adjust inner socket to standard length "L", and then tighten lock nut to the specified torque. Refer to [PS-20, "COMPONENTS"](#). Check length of inner socket "L" again after tightening lock nut. Make sure that the length is the standard.

Drive type	2WD	AWD
Inner socket length "L"	63.9 mm (2.516 in)	55.2 mm (2.173 in)

CAUTION:

Adjust toe-in after this procedure. Length achieved after toe-in adjustment is not necessary the above value.



POWER STEERING OIL PUMP

POWER STEERING OIL PUMP

PFP:49110

On-Vehicle Inspection and Service CHECKING RELIEF OIL PRESSURE

NGS000DE

CAUTION:

Make sure that belt tension is normal before starting the following procedure.

1. Connect the hydraulic pressure gauge [SST] between oil pump discharge connector and high-pressure hose. Bleed air from the hydraulic circuit while opening valve fully. Refer to [PS-8, "Air Bleeding Hydraulic System"](#).
2. Start engine. Run engine until oil temperature reaches 50 to 80°C (122 to 176°F).

CAUTION:

- Leave the valve of the hydraulic pressure gauge [SST] fully open while starting and running engine. If engine is started with the valve closed, the hydraulic pressure in oil pump goes up to the relief pressure along with unusual increase of oil temperature.
 - Be sure to keep hose clear of belts and other parts when engine is started.
3. Fully close the hydraulic pressure gauge [SST] valve with engine at idle and measure the relief oil pressure.

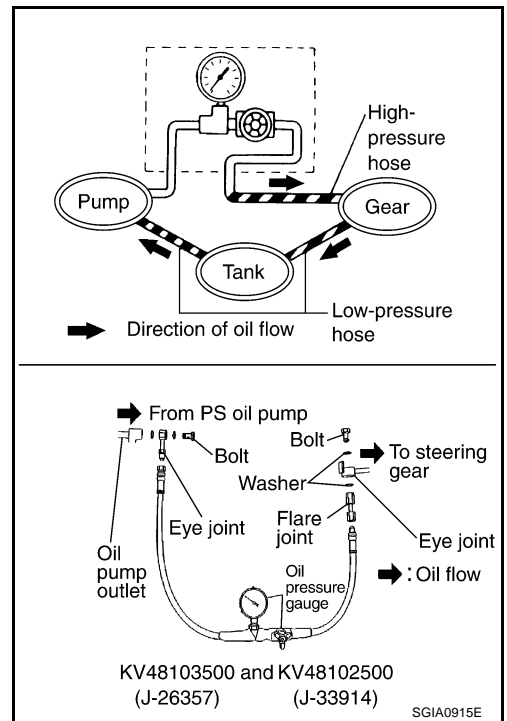
Relief oil pressure:

8,520 - 9,320 kpa (86.9 - 95.1 kg/cm² , 1,235 - 1,351 psi)

CAUTION:

Never keep valve closed for 10 seconds or longer.

4. Open the valve slowly after measuring. Repair oil pump is the relief oil pressure is outside the standard. Refer to [PS-30, "Disassembly and Assembly \(Models with VK45DE\)"](#) , [PS-34, "Disassembly and Assembly \(Models with VQ35DE\)"](#) .
5. After inspection, disconnect the hydraulic pressure gauge [SST] from hydraulic circuit, then add fluid and bleed air. Refer to [PS-8, "Air Bleeding Hydraulic System"](#) .



Removal and Installation

REMOVAL

NGS000DF

1. Drain power steering fluid from reservoir tank.
2. Remove undercover from vehicle with a power tool.
3. Loosen drive belt. Refer to [EM-15, "DRIVE BELTS"](#) (VQ35DE), [EM-174, "DRIVE BELTS"](#) (VK45DE).
4. Remove drive belt from oil pump pulley.
5. Remove piping of high pressure and low pressure (drain fluid from their pipings). Refer to [PS-38, "HYDRAULIC LINE"](#) .
6. Remove oil pump mounting bolts, and then remove power steering oil pump. Refer to [PS-38, "Components"](#) .

INSTALLATION

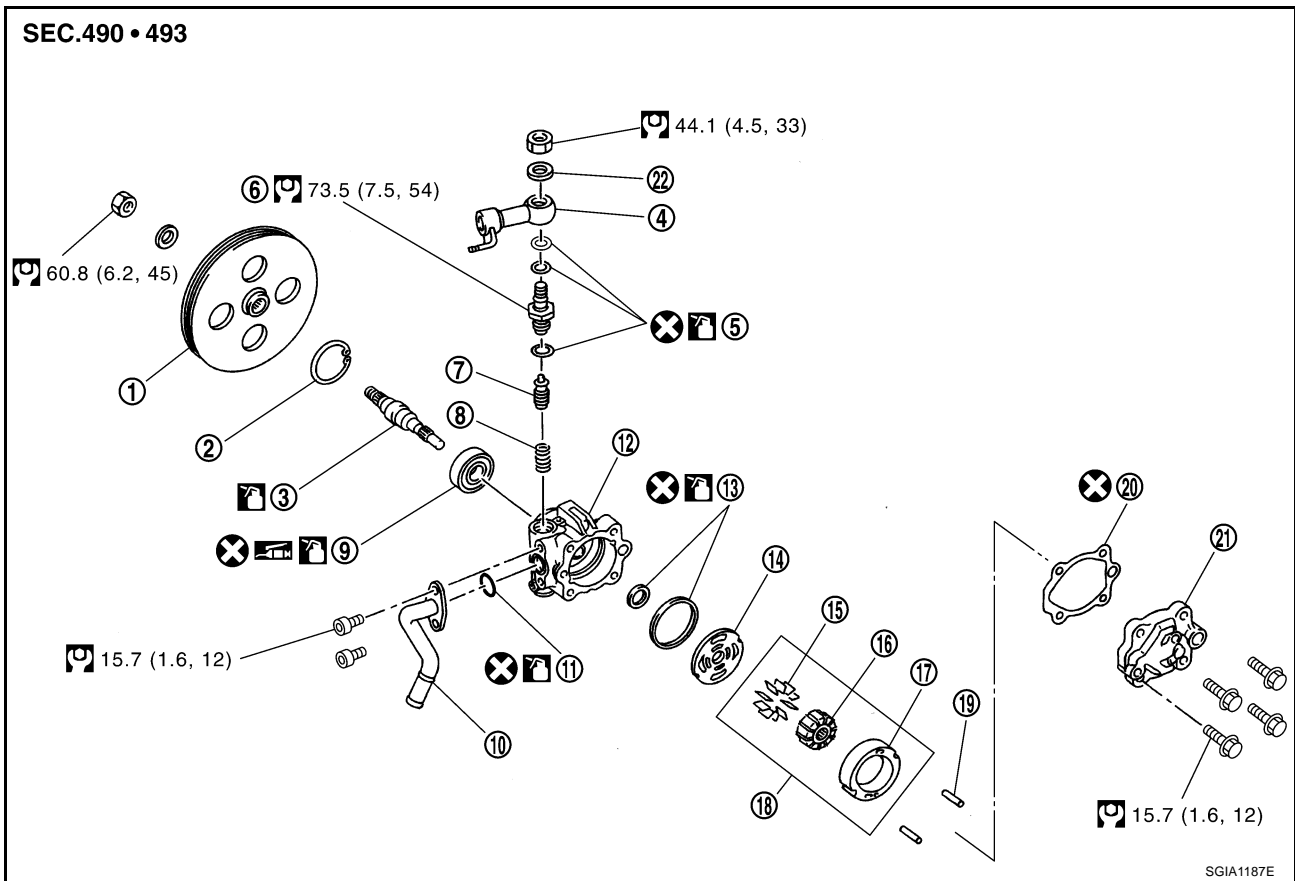
Installation is the reverse order of removal. For tightening torque, refer to [PS-38, "HYDRAULIC LINE"](#) .

- Perform the following procedure after installing.
 - Adjust belt tension (VQ35DE). Refer to [EM-15, "Tension Adjustment"](#) .
 - About the installation of VK45DE drive belt, refer to [EM-174, "Tension Adjustment"](#) .
 - Bleed air. Refer to [PS-8, "Air Bleeding Hydraulic System"](#) .

POWER STEERING OIL PUMP

Disassembly and Assembly (Models with VK45DE) COMPONENTS

NGS000DG



- | | | |
|-----------------------|----------------|-------------------|
| 1. Pulley | 2. Snap ring | 3. Drive shaft |
| 4. Joint | 5. O-ring | 6. Connector bolt |
| 7. Flow control valve | 8. Spring | 9. Oil seal |
| 10. Suction pipe | 11. O-ring | 12. Body assembly |
| 13. O-ring | 14. Side plate | 15. Vane |
| 16. Rotor | 17. Cam ring | 18. Cartridge |
| 19. Dowel pin | 20. Gasket | 21. Rear cover |
| 22. Copper washer | | |

Refer to [GI-11, "Components"](#), and the followings for the symbols in the figure.

: Apply power steering fluid.

: Apply multi-purpose grease.

INSPECTION BEFORE DISASSEMBLY

Disassemble oil pump only when the following malfunctions occur.

- If oil leakage is found on oil pump.
- Oil pump pulley is damaged or deformed.
- Performance of oil pump is low.

POWER STEERING OIL PUMP

DISASSEMBLY

NOTE:

Secure oil pump in a vise if necessary.

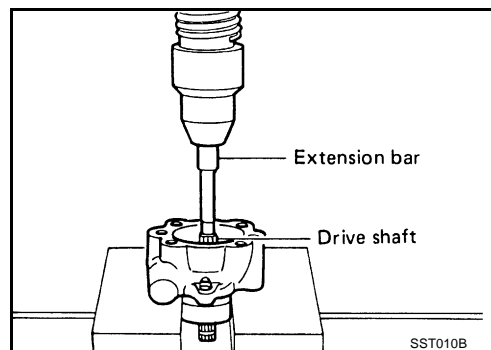
CAUTION:

Use copper plates when securing in a vise.

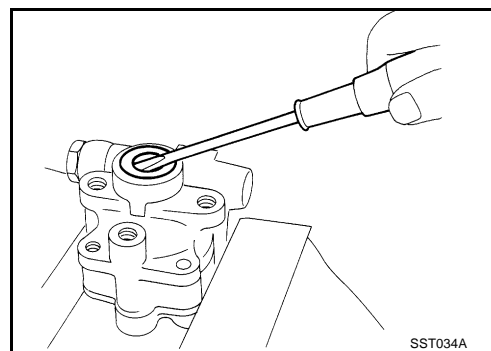
1. Remove rear cover mounting bolts, and then remove rear cover from body assembly.
2. Remove gasket from body assembly.
3. Remove dowel pin, cartridge and side plate from body assembly.
4. Remove pulley mounting nut and washer, then remove pulley from drive shaft.
5. Remove snap ring from drive shaft and press out it.

CAUTION:

When removing snap ring, be careful not to damage drive shaft.



6. Remove oil seal from body assembly using a flat-bladed screwdriver.
7. Remove O-ring from body assembly.
8. Remove lock nut, and then remove copper washer, joint and O-ring.
9. Remove connector bolt, and then remove O-ring, flow control valve and spring from body assembly
10. Remove mounting bolts of suction pipe, and then remove suction pipe from body assembly.
11. Remove O-ring from body assembly.



INSPECTION AFTER DISASSEMBLY

Body Assembly and Rear Cover Inspection

Check body assembly and rear cover for internal damage. Replace rear cover if it is damaged. Replace oil pump assembly if body assembly is damaged.

Cartridge Assembly Inspection

Check cam ring, rotor and vane for damage. Replace cartridge assembly if there are.

Side Plate Inspection

Check side plate for damage. Replace side plate if there are.

Flow Control Valve Inspection

Check flow control valve and spring for damage. Replace if there are.

POWER STEERING OIL PUMP

ASSEMBLY

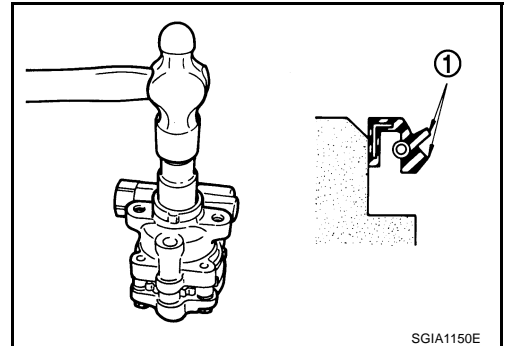
NOTE:

Secure oil pump in a vise if necessary.

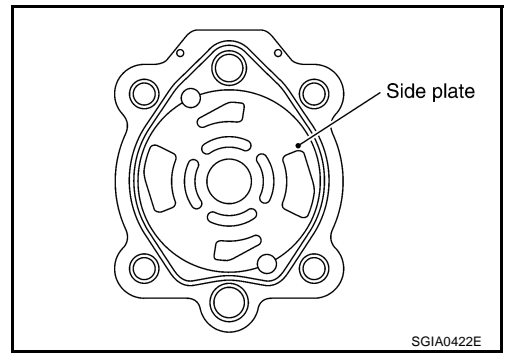
CAUTION:

Use copper plates when securing in a vise.

1. Apply multi purpose grease to oil seal lips (1). Apply power steering fluid around oil seal, and then install oil seal to body assembly.
2. Apply power steering fluid to drive shaft, and press drive shaft into body assembly, then install snap ring.
3. Apply power steering fluid to O-ring, and install O-ring into body assembly.



4. Install side plate to body assembly.



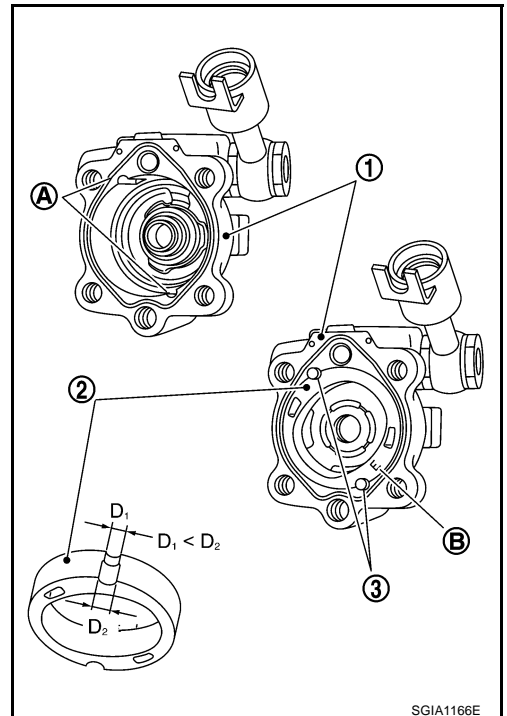
5. Install dowel pin (3) into dowel pin hole (A), and install cam ring (2) pointing it's D1 side toward the body assembly (1) side as shown in the figure.

- When installing cam ring, turn carved face with a letter E (B) of it to rear cover.

CAUTION:

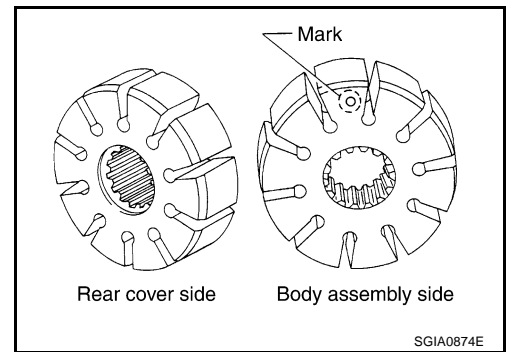
Do not confuse the assembling direction of cam ring. If cam ring is installed facing the incorrect direction, it may cause oil pump operation malfunction.

6. Install rotor to body assembly.

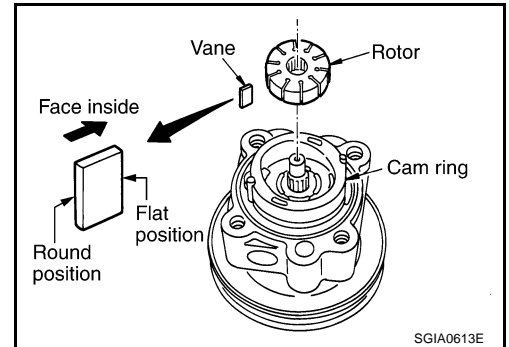


POWER STEERING OIL PUMP

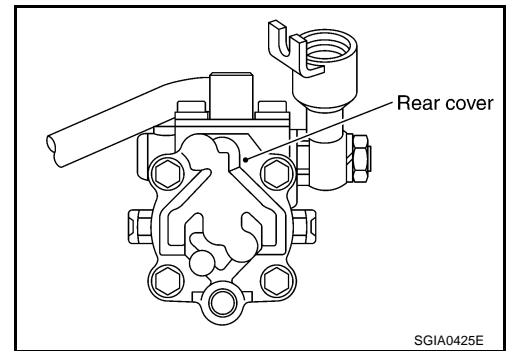
- When installing rotor, turn mark face on rotor to body assembly.



7. Install vane to rotor so that arc of vane faces cam ring side.
8. Check if drive shaft turns smoothly.
9. Install gasket to body assembly.



10. Install rear cover to body assembly, and then tighten mounting bolts to the specified torque.
11. Install pulley and washer to drive shaft, and then tighten lock nut at the specified torque.
12. Install spring, flow control valve and O-ring to body assembly, and then tighten connector bolt to the specified torque.
13. Install O-ring, joint and copper washer to connector bolt, and then tighten lock nut to the specified torque.
14. Apply power steering fluid to O-ring, and then install O-ring to body assembly.
15. Install suction pipe to body assembly.

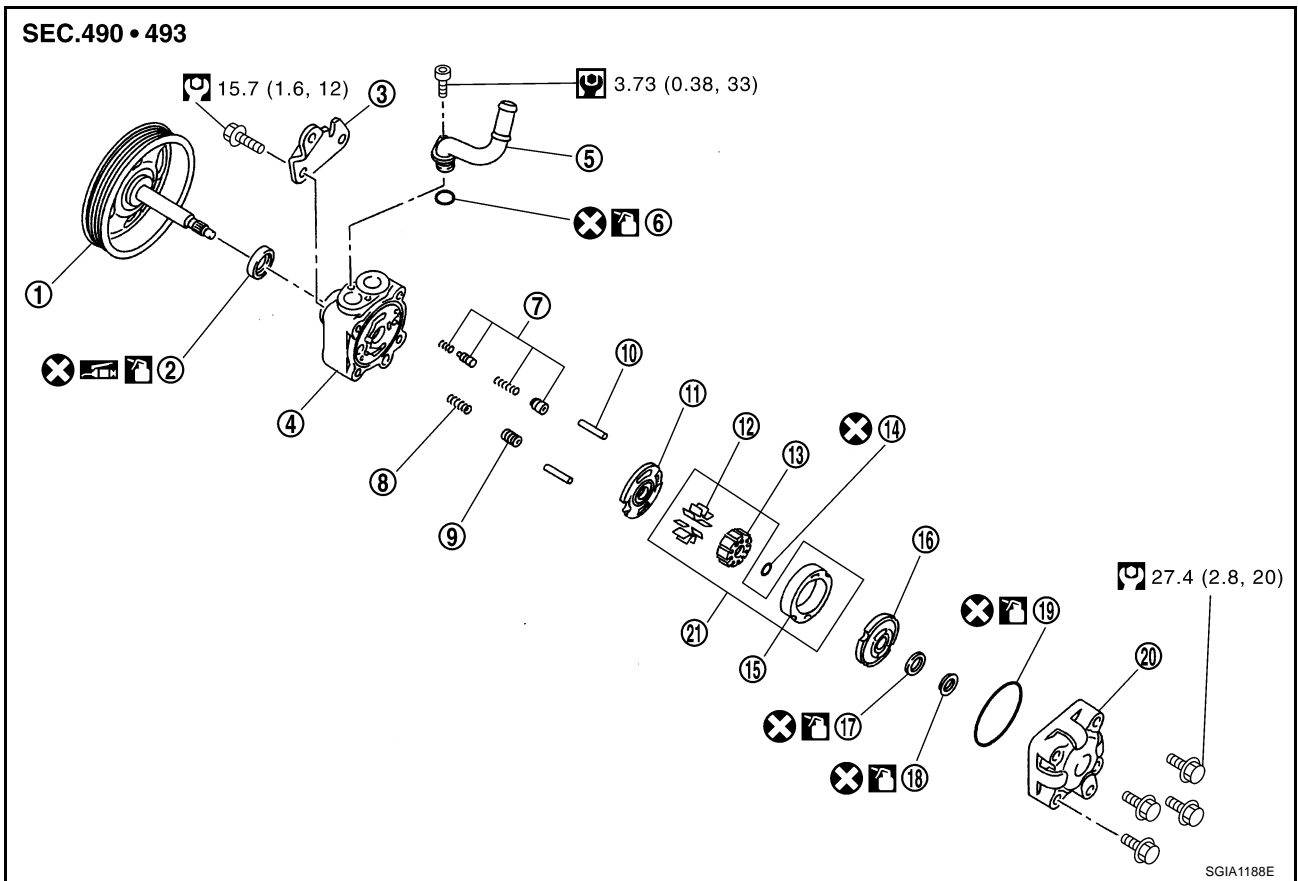


A
B
C
D
E
F
PS
H
I
J
K
L
M

POWER STEERING OIL PUMP

Disassembly and Assembly (Models with VQ35DE) COMPONENTS

NGS000DH



- | | | |
|----------------------------------|------------------------------|-------------------------|
| 1. Pulley | 2. Oil seal | 3. Bracket |
| 4. Body assembly | 5. Suction pipe | 6. O-ring |
| 7. Flow control valve B assembly | 8. Flow control valve spring | 9. Flow control valve A |
| 10. Dowel pin | 11. Front side plate | 12. Vane |
| 13. Rotor | 14. Rotor snap ring | 15. Cam ring |
| 16. Rear side plate | 17. O-ring | 18. Teflon ring |
| 19. O-ring | 20. Rear cover | 21. Cartridge |

Refer to [GI-11. "Components"](#), and the followings for the symbols in the figure.

: Apply power steering fluid.

: Apply multi-purpose grease.

INSPECTION BEFORE DISASSEMBLY

Disassemble oil pump only when the following malfunctions occur.

- If oil leakage is found on oil pump.
- Oil pump pulley is damaged or deformed.
- Performance of oil pump is low.

POWER STEERING OIL PUMP

DISASSEMBLY

NOTE:

Secure oil pump in a vise if necessary.

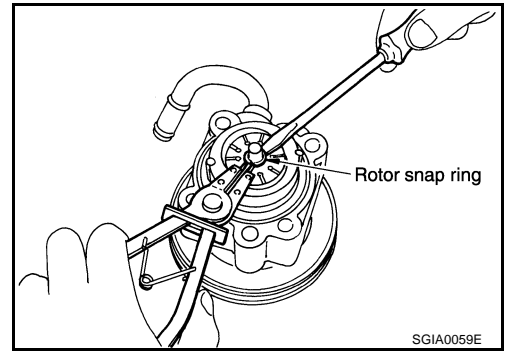
CAUTION:

Use copper plates when securing in a vise.

1. Remove rear cover mounting bolts, and then remove rear cover from body assembly.
2. Remove O-ring from body assembly.
3. Remove rear side plate from cartridge, and then remove Teflon ring and O-ring from rear side plate.
4. Remove rotor snap ring using a snap ring plier, and remove pulley from body assembly.

CAUTION:

Remove pulley so as not to be damaged when removing rotor snap ring.

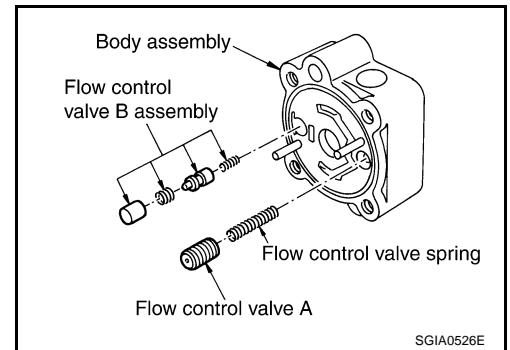


5. Remove cartridge, front side plate, flow control valve A, flow control valve spring and flow control valve B assembly from body assembly.

CAUTION:

Do not drop and damage flow control valve A and flow control valve B assembly when removing.

6. Remove oil seal from body assembly.
7. Remove suction pipe from body assembly.
8. Remove O-ring from body assembly.
9. Remove bracket mounting bolts, and then remove bracket from body assembly.



INSPECTION AFTER DISASSEMBLY

Body Assembly and Rear Cover Inspection

Check body assembly and rear cover for internal damage. Replace rear cover if it is damaged. Replace oil pump assembly if body assembly is damaged.

Cartridge Assembly Inspection

Check cam ring, rotor and vane for damage. Replace cartridge assembly if there are.

Side Plate Inspection

Check side plates (front and rear) for damage. Side plates (front and rear) must be replaced as a set if they are damaged.

Flow Control Valve Inspection

Check flow control valve A, flow control valve spring and flow control valve B assembly for damage. Replace if there are.

POWER STEERING OIL PUMP

ASSEMBLY

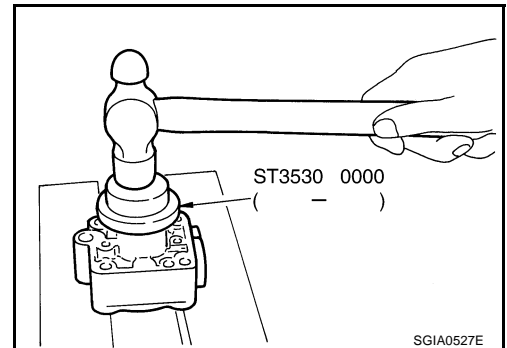
NOTE:

Secure oil pump in a vise if necessary.

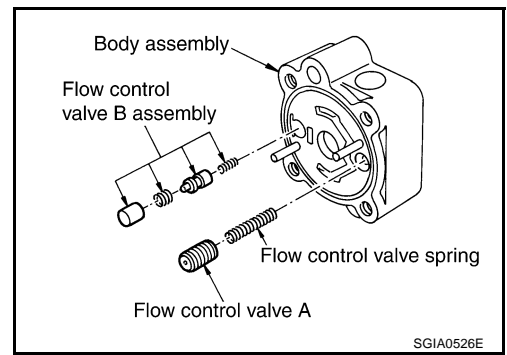
CAUTION:

Use copper plates when securing in a vise.

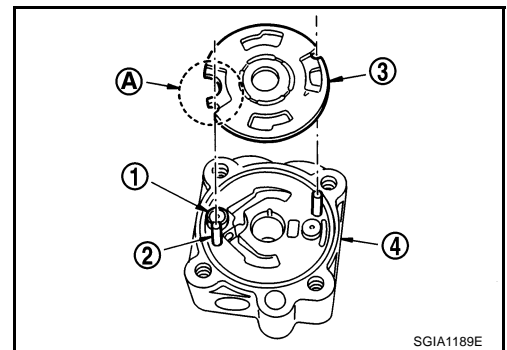
1. Apply multi purpose grease to oil seal lips. Apply power steering fluid to around oil seal, and then install oil seal to body assembly using the drift [SST].
2. Install bracket to body assembly, and then tighten mounting bolts to the specified torque.
3. If dowel pin has been removed, insert it into body assembly by hand. If cannot be inserted by hand, lightly tap with a hammer.



4. Install flow control valve A, flow control valve spring and flow control valve B assembly as shown in the figure.



5. Install front side plate (3) with dowel pin (2) on flow control valve A (1) side as shown in the figure aligning with front side plate cutout (A) to body assembly (4).

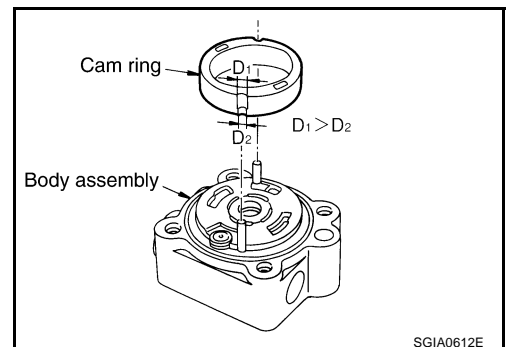


6. Install cam ring as shown in the figure.

7. Install pulley to body assembly.

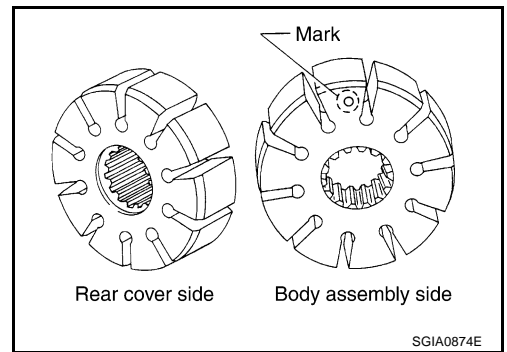
CAUTION:

Do not damage oil seal when installing pulley.

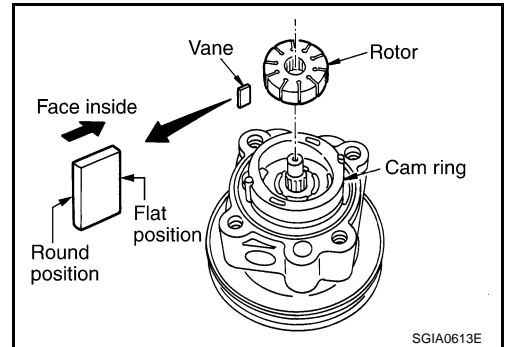


POWER STEERING OIL PUMP

8. Install rotor so that mark faces body assembly, and then install it to pulley shaft.



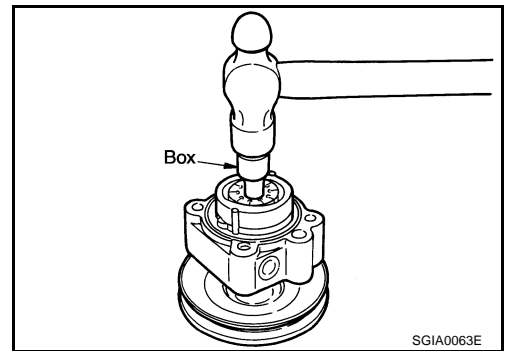
9. Install vane to rotor so that arc of vane faces cam ring side.



10. Install rotor snap ring to slit of pulley shaft using a hammer and a 10 mm (0.39 in) socket.

CAUTION:

- Do not damage rotor and pulley shaft.
- Power steering oil pump assembly must be replaced if rotor is damaged.



11. Install rear side plate with dowel pin A on flow control valve A side as shown in the figure aligning with rear side plate cutout B to cartridge.

12. Apply power steering fluid to O-ring, and then install O-ring to body assembly.

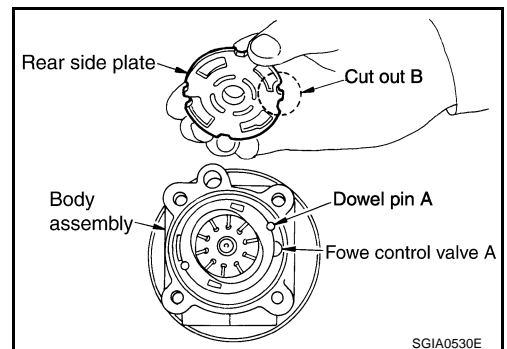
13. Apply power steering fluid to O-ring, and then install O-ring to rear side plate.

14. Apply power steering fluid to Teflon ring, and then install Teflon ring to rear side plate.

15. Install rear cover to body assembly, and then tighten mounting bolts to the specified torque.

16. Apply power steering fluid to O-ring, and then install O-ring to body assembly.

17. Install suction pipe to body assembly.



A
B
C
D
E
F
PS
H
I
J
K
L
M

HYDRAULIC LINE

HYDRAULIC LINE

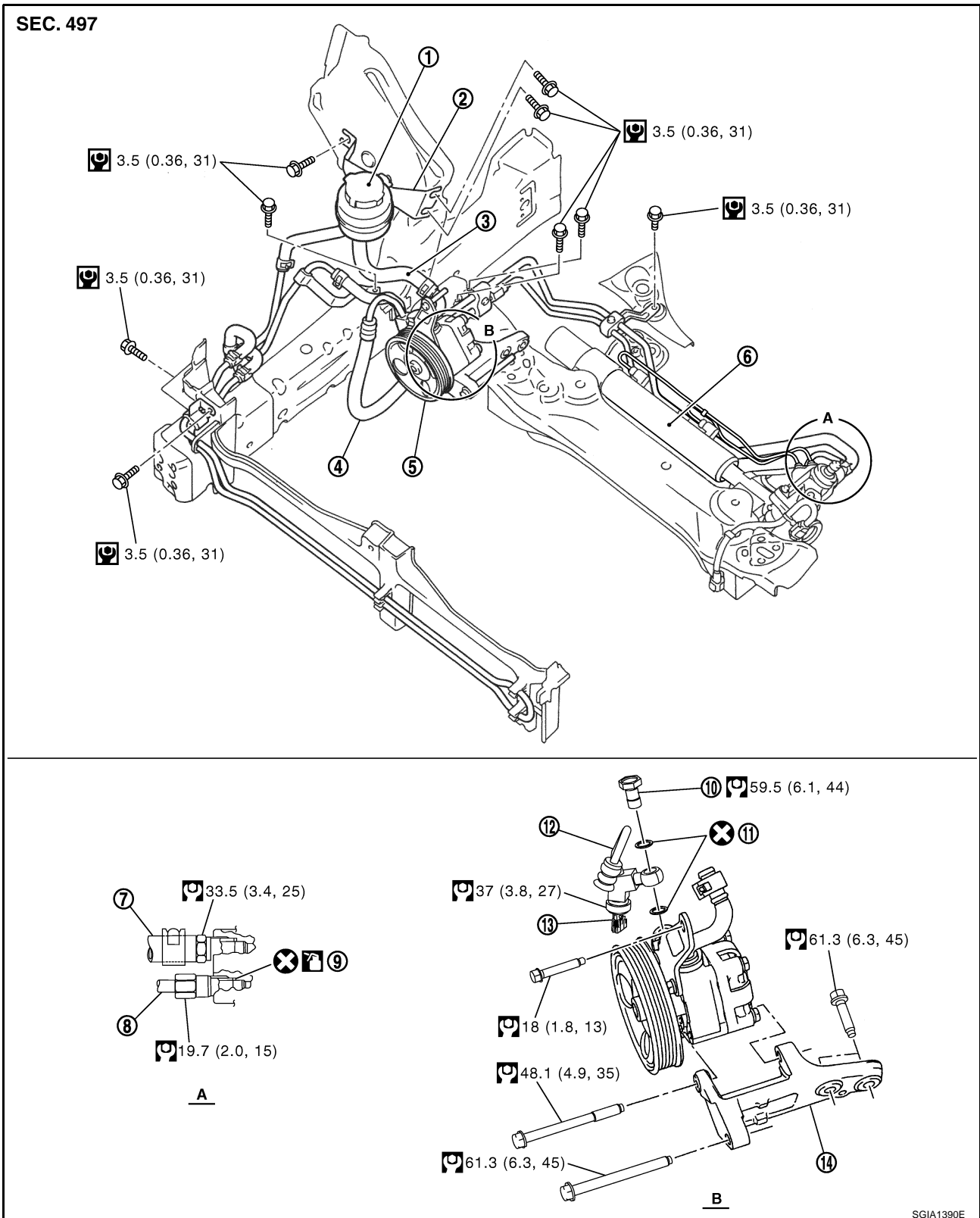
PFP:49721

Components

NGS000DI

CAUTION:
Securely insert harness connector to pressure sensor.

VQ35DE 2WD MODELS




SGIA1390E

HYDRAULIC LINE

-
- | | | | |
|------------------------|---------------------------|--|---|
| 1. Reservoir tank | 2. Reservoir tank bracket | 3. Suction hose | A |
| 4. High pressure hose | 5. Oil pump assembly | 6. Steering gear assembly | B |
| 7. Low pressure piping | 8. High pressure piping | 9. O-ring | C |
| 10. Eye-bolt | 11. Copper washer | 12. Eye-joint (assembled to high-pressure side hose) | D |
| 13. Pressure sensor | 14. Oil pump bracket | | E |

Refer to [GI-11, "Components"](#) , and the followings for the symbols in the figure.

 Apply power steering fluid.

PS

H

I

J

K

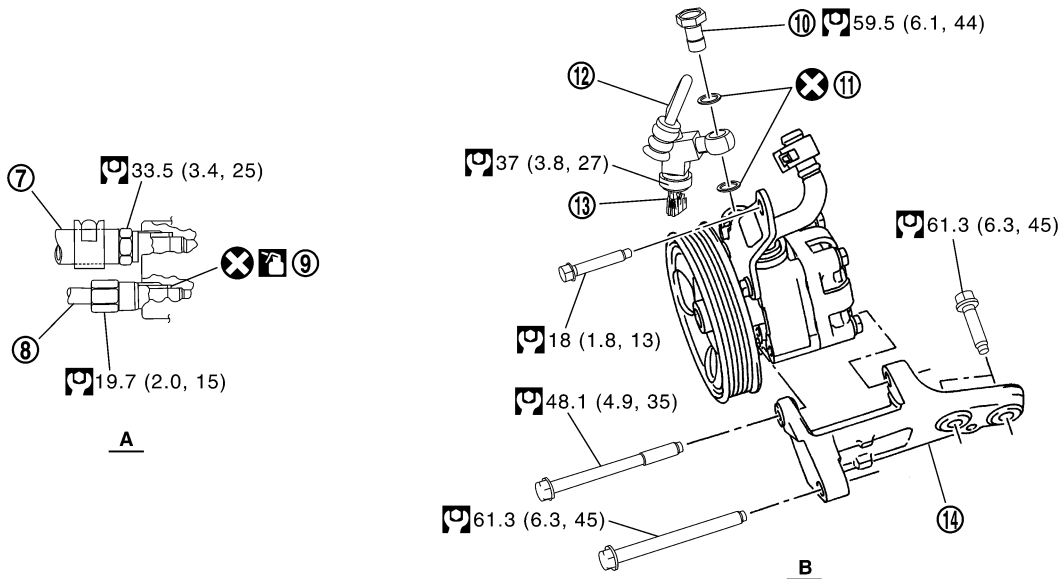
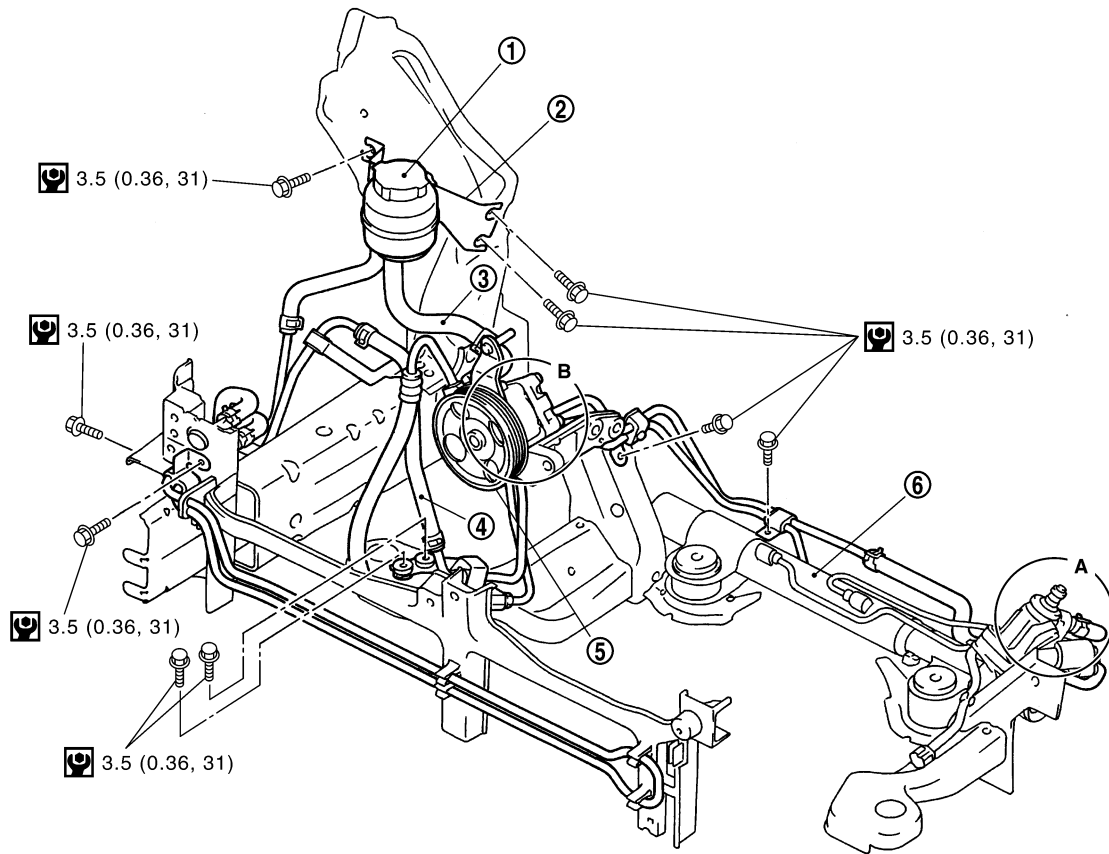
L

M

HYDRAULIC LINE

VQ35DE AWD MODELS

SEC. 497




SGIA1191E

- | | | |
|------------------------|---------------------------|--|
| 1. Reservoir tank | 2. Reservoir tank bracket | 3. Suction hose |
| 4. High-pressure hose | 5. Oil pump assembly | 6. Steering gear assembly |
| 7. Low pressure piping | 8. High pressure piping | 9. O-ring |
| 10. Eye-bolt | 11. Copper washer | 12. Eye-joint (assembled to high-pressure side hose) |
| 13. Pressure sensor | 14. Oil pump bracket | |

HYDRAULIC LINE

Refer to [GI-11, "Components"](#) , and the followings for the symbols in the figure.

: Apply power steering fluid.

A

B

C

D

E

F

PS

H

I

J

K

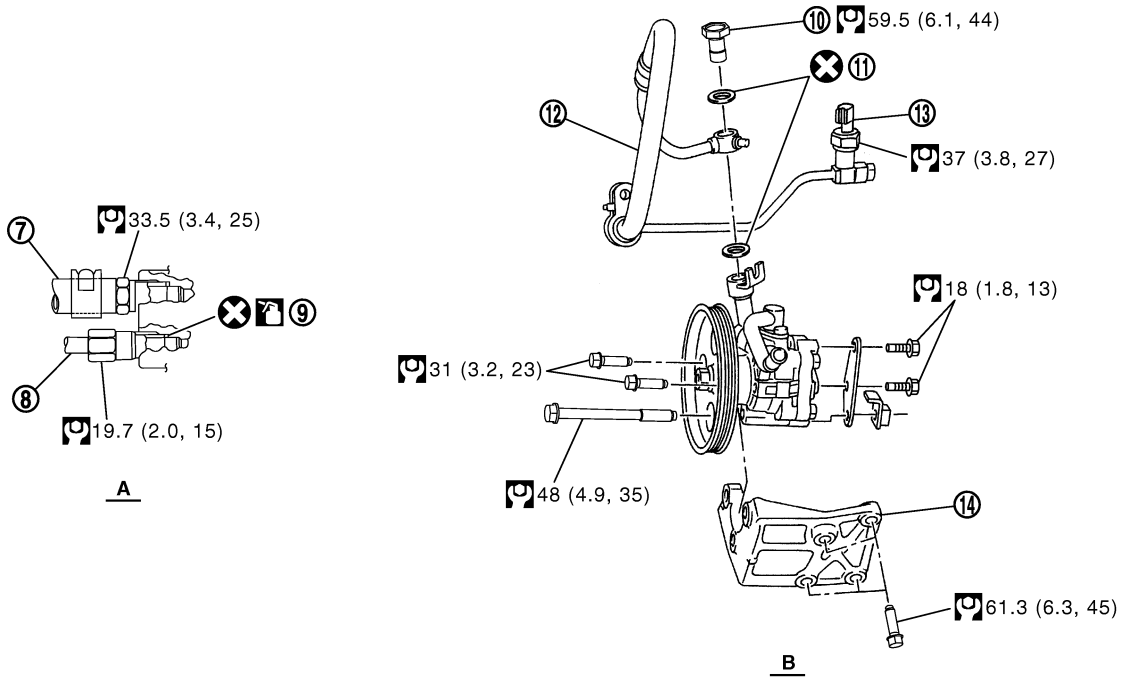
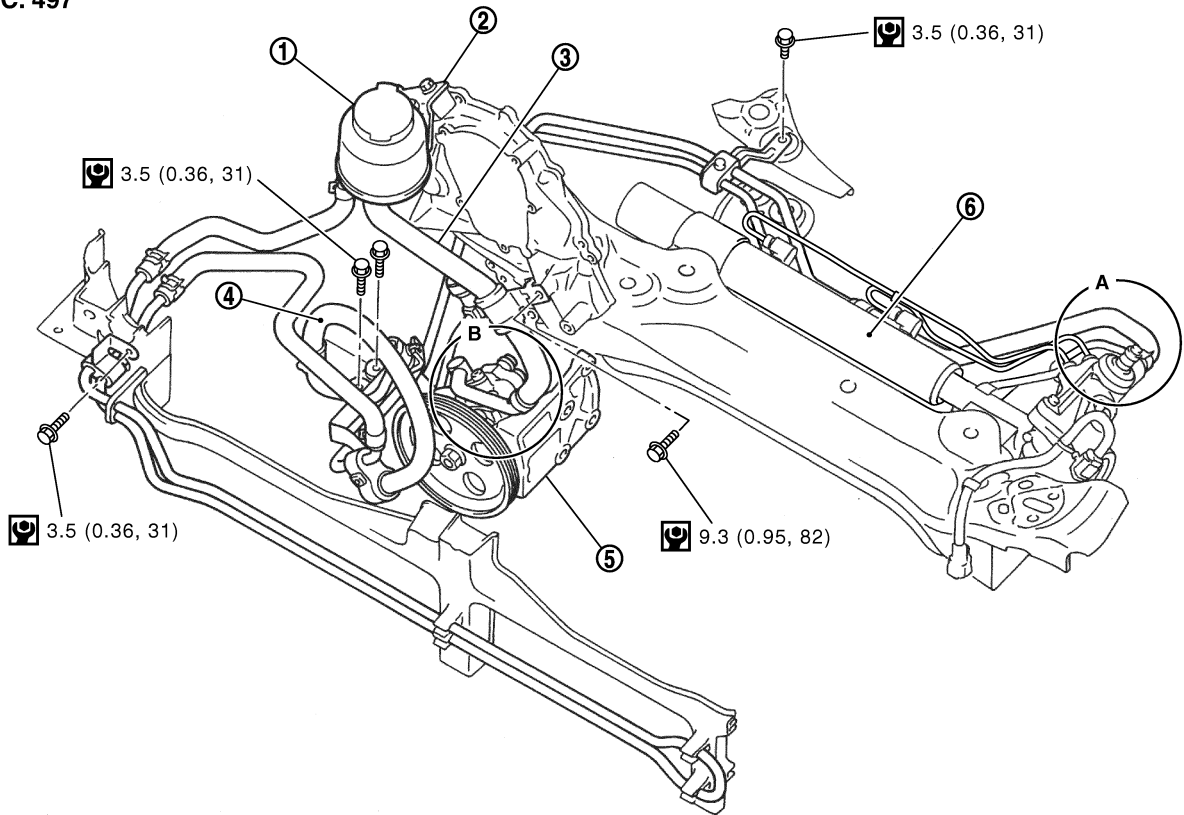
L

M

HYDRAULIC LINE

VK45DE MODELS

SEC. 497




SGIA1391E

- | | | |
|------------------------|---------------------------|--|
| 1. Reservoir tank | 2. Reservoir tank bracket | 3. Suction hose |
| 4. High-pressure hose | 5. Oil pump assembly | 6. Steering gear assembly |
| 7. Low pressure piping | 8. High pressure piping | 9. O-ring |
| 10. Eye-bolt | 11. Copper washer | 12. Eye-joint (assembled to high-pressure side hose) |
| 13. Pressure sensor | 14. Oil pump bracket | |

HYDRAULIC LINE

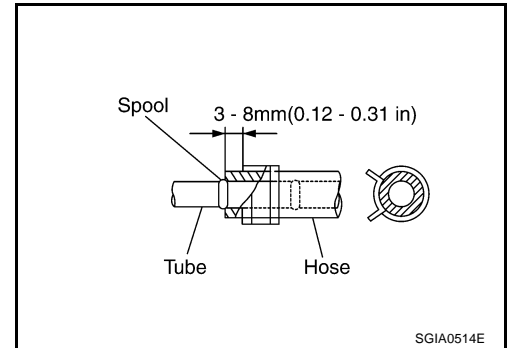
Refer to [GI-11, "Components"](#), and the followings for the symbols in the figure.

 Apply power steering fluid.

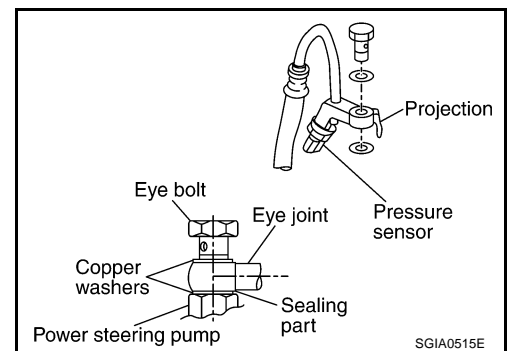
Removal and Installation

- Insert hose securely until it contacts tube spool.

CAUTION:
Do not apply fluid.



- Install eye-bolt with eye-joint (assembled to high-pressure hose) protrusion facing with pump side cutout, and then tighten it to the specified torque after tightening by hand.



A
B
C
D
E
F
PS
H
I
J
K
L
M

SERVICE DATA AND SPECIFICATIONS (SDS)

SERVICE DATA AND SPECIFICATIONS (SDS)

PFP:00030

Steering Wheel

NGS000DM

Steering wheel axial end play	0 mm (0 in)
Steering wheel play	0 - 35 mm (0 - 1.38 in)

Steering Angle

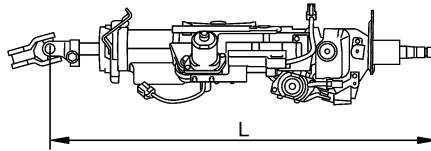
NGS000DN

Drive type		2WD		AWD
Tire size		P245/45R18	245/40R19	245/45R18
Inner wheel Degree minute (Decimal degree)	Minimum	36°20' (36.3°)		39°45' (39.8°)
	Nominal	39°20' (39.3°)		42°45' (42.8°)
	Maximum	40°20' (40.3°)		43°45' (43.8°)
Outer wheel Degree minute (Decimal degree)	Nominal	33°25' (33.4°)	33°20' (33.3°)	32°30' (32.5°)

Steering Column

NGS000DO

Steering column length "L"	Telescopic maximum	551 - 555 mm (21.69 - 21.85 in)
	Telescopic minimum	591 - 595 mm (23.27 - 23.43 in)

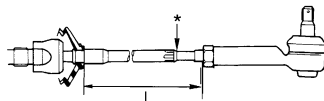


SGIA1177E

Steering Outer Socket and Inner Socket

NGS000DP

Steering gear type		PR26AF
Outer socket	Swinging torque	0.3 - 2.9 N·m (0.03 - 0.29 kg-m, 3.0 - 25 in-lb)
	Measurement on spring balance ● Measuring point at cotter pin hole of stud	4.81 - 45.7 N (0.5 - 4.7 kg, 1.1 - 10.4 lb)
	Rotating torque	0.3 - 2.9 N·m (0.03 - 0.29 kg-m, 3.0 - 25 in-lb)
	Axial end play	0.5 mm (0.020 in) or less
Inner socket	Swinging torque	1.0 - 7.8 N·m (0.11 - 0.79 kg-m, 9.0 - 69 in-lb)
	Measurement on spring balance ● Measuring point at *mark shown in the figure	8.9 - 64 N (0.9 - 6.5 kg, 2.0 - 14.3 lb)
	Axial end play	0.2 mm (0.008 in) or less
Inner socket length "L"		63.9 mm (2.516 in) (2WD) 55.2 mm (2.173 in) (AWD)



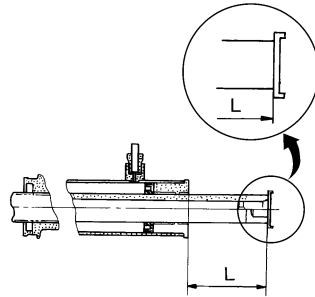
SGIA0950E

SERVICE DATA AND SPECIFICATIONS (SDS)

Steering Gear

NGS000DQ

Steering gear model	PR26AF	
Drive type	2WD	AWD
Rack neutral position, dimension "L" (rack stroke)	68.5 mm (2.697 in)	67.0 mm (2.638 in)



SGIA0877E

Oil Pump

NGS000DR

Oil pump relief hydraulic pressure	8,520 - 9,320 kPa (86.9 - 95.1 kg/cm ² , 1,235 - 1,351 psi)
------------------------------------	--

Steering Fluid

NGS000DS

Fluid capacity	Approx. 1.0 ℓ (1-1/8 US qt, 7/8 Imp qt)
----------------	---

A
B
C
D
E
F
PS
H
I
J
K
L
M

SERVICE DATA AND SPECIFICATIONS (SDS)
